



# OWNER'S MANUAL REFRIGERATOR

**Model No. 62042**

## Caution:

Read and Follow all Safety Rules and Operating Instruction before first use of this Product.

The model number and serial number of your refrigerator is located on the model number plate at the upper corner on the cabinet back.

When requesting service or ordering parts, always provide the following information:

- Product Type
- Model Number
- Part Number
- Part Description

For future use, please record the model number, serial number and the date you purchased your Kenmore refrigerator in the spaces provided below. They are on a small label on the back of the refrigerator.

Model # _____	Serial # _____
Date Purchased _____	

- Warranty
- Safety Instructions
- Operation
- Care And Maintenance
- Troubleshooting
- Parts List

## Full One Year Warranty on Refrigerator

For one year from the date of purchase, when this refrigerator is operated and maintained according to owner's instructions attached to or furnished with the product, Sears will repair this refrigerator, free of charge, if defective in material or workmanship.

## Full Five Year Warranty on Sealed Refrigeration System

For five years from the date of purchase, when this refrigerator is operated and maintained according to owner's instruction attached to or furnished with the product, Sears will repair the sealed system (consisting of refrigerant, connecting tubing and compressor motor), free of charge, if defective in material or workmanship.

The above warranty coverage applies only to refrigerators which are used for storage of food for private household purposes.

**Warranty service is available by contacting the nearest Sears Service Center/Department in the United States.**

This warranty applies only while this product is in use in the United States. This warranty gives you specific legal rights, and you may also have other rights which vary from state to state.

**Sears, Roebuck and Co., Dept. 817WA  
Hoffman Estates, IL 60179**

---

**Sears, Roebuck and Co., Hoffman Estates, IL 60179 U.S.A.**

---

## To Start

Plug the refrigerator into a wall outlet. Set the refrigerator temperature control on "3". Wait 24 hours. Check the food. Adjust the control if needed.

## Adjusting The Temperature

Adjust the refrigerator temperature using the cold control in the refrigerator compartment.

- The "MIN" position is the warmest setting on each section.
- For ordinary use, set the temperature control in the "3" position.
- If either section is not cold enough, turn the control toward "MAX".
- If either section is too cold, turn the control toward "MIN". After adjusting the control, wait 24 hours. Then, make another change, if needed.

In the summer or when the refrigerator door is opened often, you may need to turn the control in the refrigerator toward "MAX" so more cold air will enter the refrigerator section.

**Don't turn the refrigerator temperature control off unless both freezer and refrigerator sections are completely empty.** The control will shut off refrigeration in both sections.

## Use And Care Information

Everyday care is listed on the inside door. Special cleaning instructions are on individual parts.

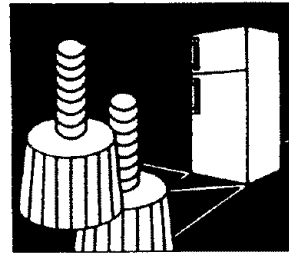
### Before You Move Your Kenmore to a New Location.

- Remove all food (pack dry ice around any food you're keeping). Unplug the refrigerator and tape the power cord securely to the back.
- Take out all removable shelves and storage drawers. Pack carefully. Clean and dry your refrigerator thoroughly.
- Tape all doors, drawers, and shelves that you didn't remove.
- Move your refrigerator in an upright position, never leave it on its back or side.

## Start / Adjust Control

Your refrigerator must be reasonably level.

Use the screw-type adjustable leveling legs on the front corners of the refrigerator. Leveling makes the refrigerator more efficient and quieter.



Your Kenmore refrigerator needs three inches of air space at the top and a one inch space between the wall and the condenser on the back of the refrigerator.

**CAUTION: Do not operate refrigerator near flammables, such as gasoline. Do not use for storage of flammables.**

**Your refrigerator must be grounded. Use a 120 Volts, 60 Hz outlet. Do not use an extension cord.**

Use a 3-prong plug with 3-prong grounded wall outlet. (Only this method complies with National Electrical Code, local codes and ordinances.)

**WARNING: Unless the above grounding method is followed, you are not protected against severe or lethal shock in the event of a short circuit of an electrical component or wiring of refrigerator.**

# Clean Your Refrigerator Thoroughly Twice A Year

**DANGER - ELECTRICAL SHOCK HAZARD.  
DISCONNECT POWER BEFORE SERVICING.**

Always remove the power cord from the wall outlet when cleaning in the vicinity of electrical parts (bulb, switch, control, etc.).

Use a mild detergent or baking soda and water.

## How To Clean The Inside

1. Turn the Cold Control to "OFF". **UNPLUG THE POWER CORD FROM THE WALL OUTLET.**
2. Remove food from the section or sections to be cleaned. Pack frozen food in a picnic chest or cardboard box or wrap in several thicknesses of newspaper so it will remain frozen.
3. Take out removable parts and wash with a mild detergent, rinse and wipe dry.
4. Wash the inside with two tablespoons of baking soda mixed in one quart of warm water. If necessary, use soap or mild detergent and water. Rinse well and dry.

## WARNING:

(1) Strong detergents, scouring powder or pads, will crack the plastic. Do not use them. (2) Do not wash any parts in a dishwasher unless marked "dishwasher safe." (3) Do not clean with ammonia or bleach type chemicals which will damage your cooling unit.

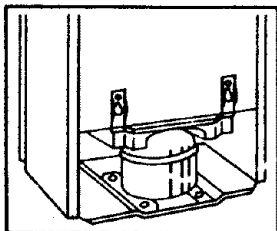
## How to Clean the Outside

Exterior Cabinet: Use a mild detergent or soap solution and rinse well. Do not use scouring powder or pads.

In some climates it may be advisable to help protect the cabinet finish by waxing it. Use a good quality automotive type wax, taking care not to wax any plastic parts.

## How to Clean the Evaporation Tray

Since dust accumulated on the evaporation tray will decrease the evaporation efficiency, remove the tray and clean it.



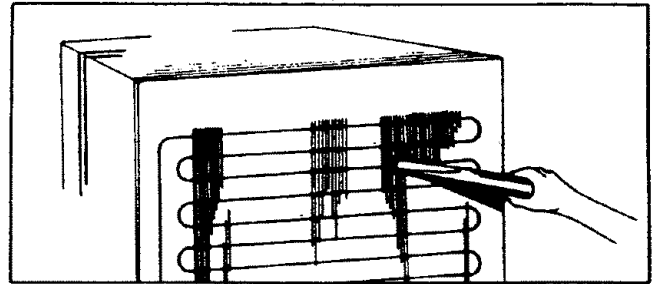
The evaporation tray is set on refrigerator back. To remove, unscrew and pull it out.

Replace the evaporation tray by following the removal instructions in reverse and be sure to secure it properly.

If the tray is not securely in place, defrosted water may spill out or the evaporation process may be hindered.

## Clean The Condenser

The condenser (tubing and wire attachment) is on the back of the refrigerator. Clean it with a vacuum cleaner. Do not bend or twist the tubes. If you have moved the refrigerator, make sure the doors seal tightly. If they don't, level the refrigerator.



## Remove Perishables Before Taking Vacations

Before going on any long vacations, remove all perishables such as fresh meats, milk, eggs, butter, fruits and vegetables. Anytime you won't be using your refrigerator regularly, for an extended period of time or are putting it into storage, empty and unplug it. Clean the evaporation tray. Clean inside and block the doors open. Air moving through your refrigerator will help prevent odors.

## Hot-Line

With the freezer-refrigerator in operation, it is possible that the cabinet will feel warm at the front edges. This does not indicate trouble. It is attributable to the hot-line design adopted for this freezer-refrigerator which consists of piping hot gas from the (motor-driven) compressor along the front edges of the cabinet. This has nothing to do with the storage temperature inside.

## Save the Servicing Information

Technical servicing information is attached under the back of the refrigerator. Please, do not remove this information. It may someday assist your serviceman should repairs be required.

## Before Calling for Service

### Caution:

Your Kenmore refrigerator is an electrical appliance and should be unplugged before changing the light bulb or other servicing that involves the electrical system.

### Before Replacing Light Bulb

Instructions for changing light bulb is on the permanent use and care label on the inside door of your refrigerator.

*See if your questions can be answered on this page.*

### My Refrigerator is Too Warm

1. Check the light bulb.
2. Make sure the power cord plug is making full contact in the wall outlet. Check the outlet with another appliance or lamp.
3. Check the fuse box for a blown fuse or tripped circuit breaker.

### My Refrigerator Has Stopped Running and The Light is Not On

1. Check the power source.
2. Keep the refrigerator door closed to keep food cold until power returns.
3. When the power is off for more than 5 hours, fill extra space in freezer with dry ice or transfer the food to the nearest food locker.

### My Refrigerator Sounds Noisy

1. Make sure the cabinet is level from side to side and from front to back. Make sure the cabinet is not touching the wall and rests squarely on the floor.
2. Make sure the condenser is free of lint and dust.
3. Check to be sure food containers or bottles inside the refrigerator are not touching or rattling.

### There is an Odor in My Refrigerator

1. Check covers on food containers in both sections. Check for spilled foods.
2. Clean both sections.

### Ice Has an Odd Flavor

Ice, regardless of how it is made, will sometimes develop an off flavor or color if it is kept too long. To avoid this, empty the trays and make a completely new supply about once a month.

### To Further Add To The Value of Your Kenmore, Buy a Sears Maintenance Agreement

Sears Kenmore refrigerators are designed, manufactured and tested for years of dependable operation. Yet, any modern appliance may require service from time to time. The Sears warranty plus the Sears maintenance agreement provides protection from unexpected repair bills.

### Sears Service Is At Your Service

Your Kenmore has added value when you consider that Sears has over 2,000 service units staffed by Sears-trained technicians . . . professional technicians specifically trained on Sears appliances, having the parts, tools and equipment to ensure that we meet our pledge to you . . . "We Service What We Sell."

### Model Number Location

If you ever need service, be sure to give the complete ten digit model number. It's on a small label on the back of the refrigerator. For example if you have Kenmore 99482 Your complete number may be 564.99482990

### To Order Repair Parts, See The List That Came With Your Refrigerator.

# Food Storage Times and Tips

Use these storage times as a guide. Actual Storage times vary, since food quality always varies.

## For the Refrigerator Section

Moving air is the best way to cool food, but it can carry odors and dry out food. If not wrapped, most food becomes limp, stale and unappetizing. To protect food from air, cover it or place it in a freezer container or bag before refrigerating. Wrap all foods unless you're putting it in the storage drawers.

**Bread:** Refrigeration slows molding. But bread still gets stale with time, so use within 3 days.

**Dairy Products:** Keep cartons closed. Use milk, cream or cottage cheese within 5 days. Wrap cheese tightly with foil or plastic wrap. Hard cheese (cheddar, etc.) will keep as long as a month. Soft cheeses will keep up to 2 weeks. Wrapped butter keeps about 2 weeks.

**Eggs:** Store unwashed. Use within 2 weeks.

**Fish:** Clean. Wrap tightly. Freeze unless you use it the same day you buy it.

**Fruits:** Wash, dry and store in crisper. Store fruits with strong aromas (apples, melons) in plastic bags. Berries keep up to 3 days, if stored unwashed, in a shallow open bowl.

**Meat:** Wrap meats loosely (and seal). Wrap smoked meats tightly. Use foil or plastic wrap. Store in meat drawer or on lower shelf. For best results, use within recommended times.

## Refrigerator Storage Times

	No longer than
Bacon and other Smoked Meats . . . . .	14 Days
Cold Cuts . . . (Date on Package) . . . . .	or 3 Days
Ground Meat . . . . .	1-2 Days
Liver and other Organ Meats . . . . .	1-2 Days
Steaks and Roast (Fresh) . . . . .	2-3 Days

**Poultry:** Rinse before storing. Wrap loosely in foil or plastic wrap and seal. (Wrap giblets separately.) Use within 2 days.

**Vegetables:** Wash, drain and store in crisper. Or store unwashed in plastic wrap.

## For the Freezer Section

Food to go to the freezer needs special packaging. Many times supermarket wrappings are not good enough. Foods must have a second wrapping or be repackaged if it will be stored longer than a week or two.

Wrap carefully and seal. Contact with air shortens the life of food. So containers must be airtight. Fresh foods that are already packaged, such as bread or poultry, should be rewrapped. Use heavy duty aluminum foil freezer paper and tape or special freezer containers.

Freeze food only when it is fresh and in top condition. Do not refreeze.

Label and date each package. Use food with the oldest date first.

When loading the freezer, allow enough space at the front to let the door close completely and seal.

## Freezer Storage Times

	2-Door Refrigerator No longer than
Bread . . . . .	6 Months
Butter, Margarine . . . . .	2-9 Months
Cooked Dishes . . . . .	3 Months
Fish (packaged frozen) . . . . .	3 Months
Fruits . . . . .	12 Months
Ice Cream . . . . .	1 Month
Juice Concentrate . . . . .	6 Months
<b>Meats-</b>	
Bacon, other Smoked Meats . . . . .	1 Month
Beef or Lamb . . . . .	5-6 Months
Ground Meat . . . . .	2-3 Months
Liver, other Variety Meats . . . . .	3-4 Months
Pork or Veal . . . . .	8-9 Months
Poultry . . . . .	4-6 Months
Poultry Giblets . . . . .	3 Months
Vegetables . . . . .	12 Months

# Energy Saving Tips

Ways to Save Power, Save Money, and Still enjoy your Kenmore.

1. **Close the door as soon as you can.** Make sure the door is fully shut after each use, so cold air doesn't escape.
2. **Keep the condenser coils clean.** Your Kenmore's motor works harder when coils are dusty. Clean the coils at least every 3 months. They are on the back of your refrigerator. Allow 3 inches of air space above your Kenmore so air circulates freely.
3. **Adjust the cold control.** Try a warmer setting. Your refrigerator may be colder than needed. Check the refrigerator temperature with milk. As long as it keeps well, your refrigerator is cold enough.
4. **Don't put hot foods in the refrigerator.**
5. **Don't allow more the ¼" of frost to build up in the frozen food storage section.**
6. **Reduce door openings,** so your cooling system won't have to run as often.
7. **Keep your refrigerator reasonably level,** so the door seals tightly. When the door is closed, the door gaskets should touch the refrigerator all the way around. If not, make your refrigerator more level. Use the adjustment screw under the refrigerator.
8. **Keep the refrigerator away from the stove or other heat sources.** A cool and dry place lets your refrigerator work best.

# Parts List

564.62042100

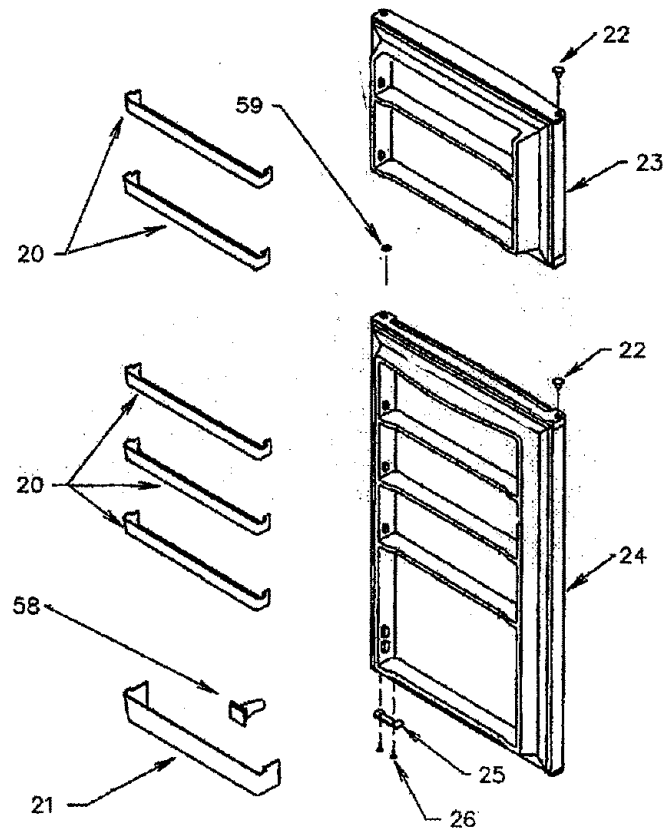
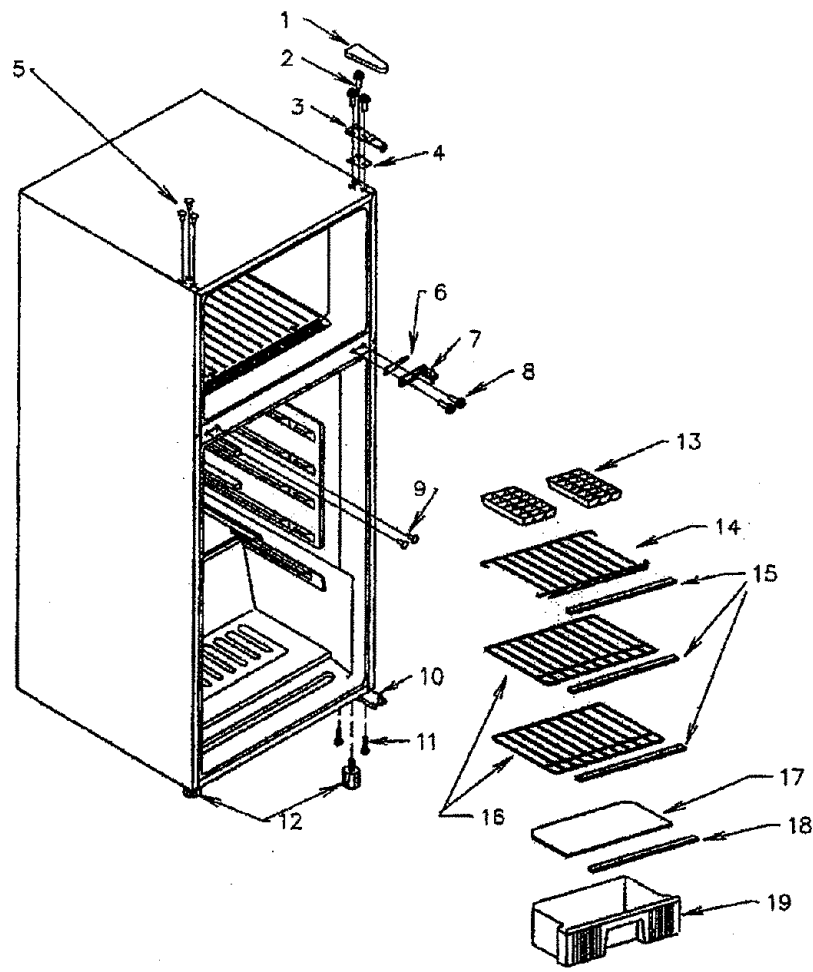
SR1081SW

**Use Sears part number on all orders, not the illustration number.**

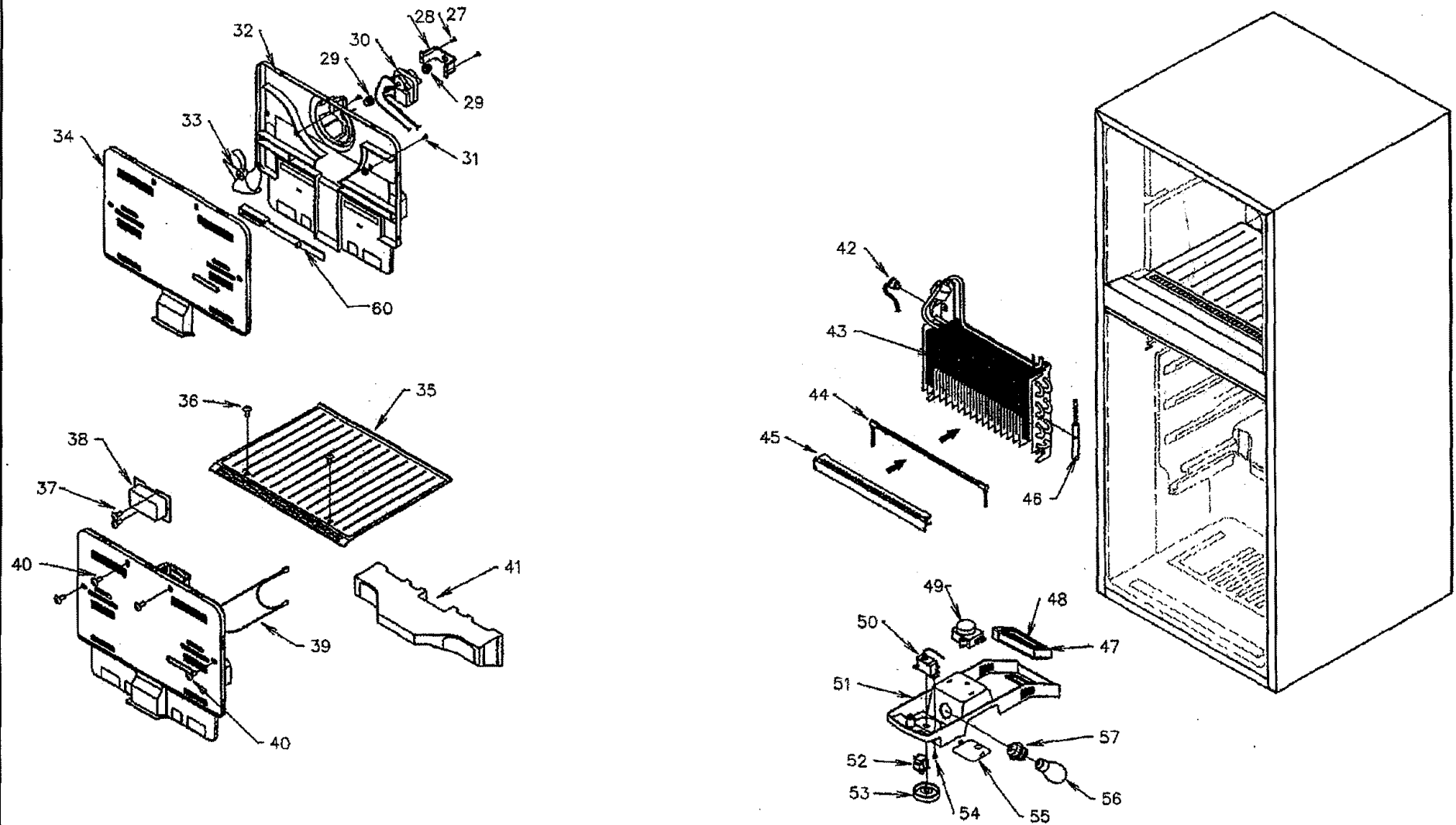
(Please refer to the illustration on the next page.)

Illus. No.	Part No.	Description	Illus. No.	Part No.	Description
1		Cover Hinge Top	25	300864	Stop Door, R
	300033	White	26	300307	Screw
	300036	Almond	27	302580	Screw
2	302009	Screw	28	302468	Plate Mtg. Fan Motor
3	301718	Hinge Top	29	302025	Grommet Fan Motor
4	300032	Shim	30	302583	Fan Motor
5		Plug Buttons	31	302584	Screw
	302372	White	32	302581	Plate Mtg. Motor
	302708	Almond	33	301925	Fan Blade
6	302612	Shim Hinge Middle	34	302589	Plate Cover
7	303082	Hinge Middle	35	302817	Cover F. Bottom
8	302010	Screw	36	302590	Screw
9		Plug Buttons	37	302590	Screw
	302372	White	38	302591	Case
	302708	Almond	39	303092	Wiring Assy. (Harness D)
10	302426	Bottom Hinge	40	302590	Screw
11	302009	Screws	41	302595	Ins. Tray Drip
12	300885	Leg	42	302719	Bi-metal Thermostat
13	302486	Ice Cube Tray	43	302597	Evaporator, Fin Type
14	302615	Freezer Shelf	44	302598	Defrost Heater
15	302242	Trim Shelf	45	303084	Defrost Reflector Support
16	303085	R-Shelf	46	303080	Thermal Fuse Assy
17	302409	Glass Shelf	47	302601	Insulation Duct
18	302234	Trim Shelf Crisper	48	302602	Seal
19	303091	Crisper	49	302603	Defrost Timer
20	302617	Door Rack M	50	303073	Thermostat ATB-3U1092
21	302694	Door Rack L	51	303083	Duct
22		Cap Grommet	52	302606	Door Switch
	302388	White	53	302607	Knob Thermo
	302709	Almond	54	302608	Screw
23		F-Foamed Door Assy	55	303089	Lamp Reflector
	303071	White	56	302610	Lamp
	302620	Almond	57	302864	Socket
24		R-Foamed Door Assy	58	302818	Rack L Partition
	303072	White	59	303088	Grommet Hinge Collar Spacer
	302622	Almond	60	303087	Shutter

564.62042100  
(SR1081SW)



564.62042100  
(SR1081SW)





# Parts List

564.62042100

SR1081SW

**Use Sears part number on all orders, not the illustration number.**

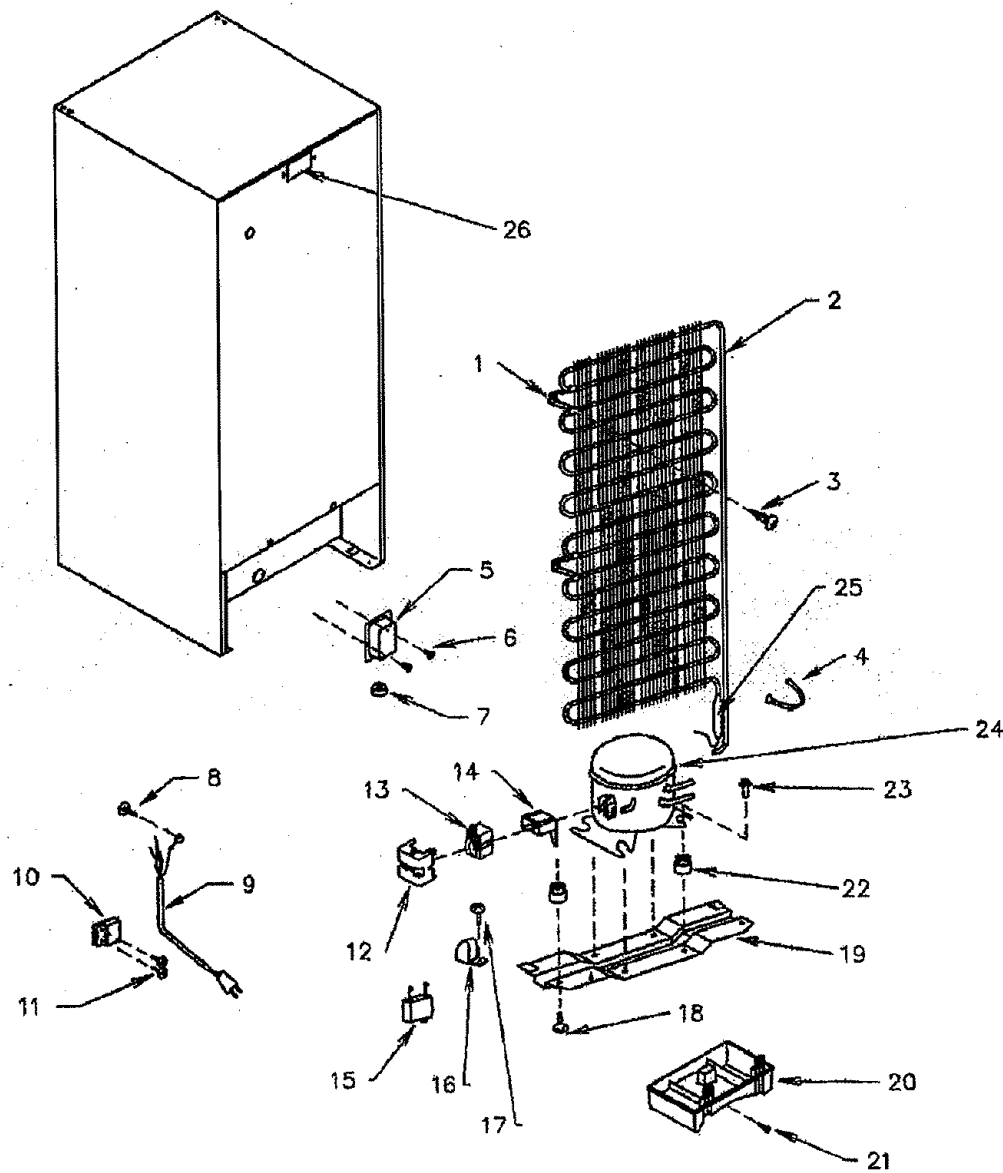
(Please refer to the illustration on the next page.)

<b>Illus. No.</b>	<b>Part No.</b>	<b>Description</b>	<b>Illus. No.</b>	<b>Part No.</b>	<b>Description</b>
1	300103	Condenser bracket	14	302823	Overload Relay
2	302624	Condenser	15	302649	Running Capacitor
3	302317	Screw	16	302814	Nylon Clamp
4	302731	Nylon Tie	17	300308	Screw
5	301730	Splicer Box	18	302009	Screw
6	300308	Screw	19	303081	Cabinet Base Plate
7	301172	Drain Trap	20	301775	Drain Tray
8	301991	Screw	21	300308	Screw
9	301744	Power Cord SPT-3	22	302820	Compressor Grommet
10	301817	Cord Clamp	23	302865	Compressor Bolt
11	300308	Screw	24	302828	Compressor DC51C72RCU6
12	302625	Relay Cover	25	302246	Double Dryer
13	302626	PTC Starter	26	303074	Wiring Diagram

## Parts Not Illustrated

303075	Owner's Manual
302023	Use & Care Label
	Mascot
302340	Kenmore, white
302423	Kenmore, brown
302827	Technical sheet
300316	Screw Hinge
302779	Tube Condenser Support
302824	Shim, Bottom Hinge
302707	Stop Door, F
302606	Door Switch

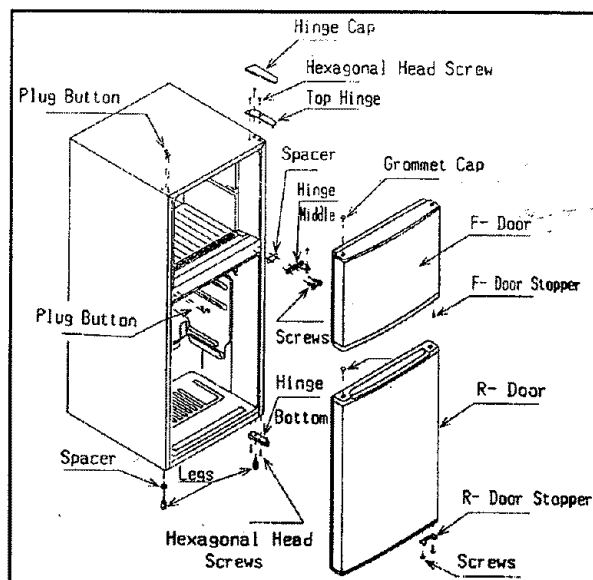
564.62042100  
(SR1081SW)



## HOW TO TRANSFER THE DOOR HINGE LOCATION OF A REVERSIBLE DOOR

Refer to the disassembly diagram and change the door hinges in the following procedure. The numbers in the diagram (see back page) indicate the procedure order in the instructions.

1. Remove the hinge cap by twisting it off.
  2. Remove the upper hexagonal head screws.  
The upper hinge and the freezer door can now be removed.
  3. Remove the middle hexagonal head screws. The refrigerator door can now be removed.
  4. Remove the screws for middle hinge holes on the left side and re-attach it symmetrically to the holes on the opposite side.
  5. Tilt the refrigerator back or lay it on its back for steps 6, 7, and 8. Use a pad or blanket to protect the floor and to avoid scratching the painted finish.
  6. Remove the leveling legs by turning them counterclockwise. Remove the lower hexagonal head screws, two on the hinge side and one near the front corner of the other side.
  7. Attach the bottom hinge symmetrically to the other side of the cabinet.
  8. Attach the left side leg and leg spacer to the other side hole which was positioned symmetrically.
  9. Remove the plug buttons and insert them in the holes from which the screws were removed in Procedure 2.
  10. Take off the hinge grommet caps from both the Freezer and the Refrigerator doors using a screwdriver and insert them in the hinge collars on the opposite sides.
  11. Remove the freezer door hinge stopper and the hinge stopper screws and install them in the other side of the door.
  12. Remove the refrigerator door hinge stopper and the screws and install them in the other side of the door.
  13. Attach the refrigerator door to the bottom hinge.
  14. Rotate the middle hinge 180°. Attach it to the refrigerator door and secure it with a screw. (Do not tighten the screw completely.)
  15. Attach the upper hinge to the freezer door. Attach the freezer door to the middle hinge and use the screw to attach the upper hinge. (Do not tighten the screws completely.)
  16. The direction in which the door opens has now been changed; however, the following points should be checked:
    - a. Make sure the door is on straight.
    - b. Make sure that there is no space between the door gasket and the refrigerator unit itself when the door is closed.
    - c. Make sure that the gasket on the hinge side is not caught between the door and the unit when the door is opened or closed. (If the door is forced closed when the gasket is caught, the gasket may be damaged.)
- When checking the above points, if it is discovered that the door is not installed properly (this is apt to happen at the first try), loosen the screws holding the upper hinge, straighten the door and tighten the screws slowly with the socket wrench. After making sure that the door is installed correctly, tighten all the screws holding the hinge.
- If they are not tightened, the door may slip out of position or there may be an opening between the door and the unit.
17. Stand the unit back in the upright position.



# Get fixed, at your home or ours!

## Your Home

For repair-in your home-of all major brand appliances, lawn and garden equipment, or heating and cooling system, **no matter who made it, no matter who sold it!**

For the replacement parts, accessories and owner's manuals that you need to do-it-yourself.

For Sears professional installation of home appliances and items like garage door openers and water heaters.

**1-800-4-MY-HOME®** (1-800-469-4663)

Call anytime, day or night (U.S.A. and Canada)

[www.sears.com](http://www.sears.com) [www.sears.ca](http://www.sears.ca)

---

## Our Home

For repair of carry-in items like vacuums, lawn equipment, and electronics, call or go on-line for the location of your nearest **Sears Parts & Repair Center.**

**1-800-488-1222**

Call anytime, day or night (U.S.A. only)

[www.sears.com](http://www.sears.com)

---

To purchase a protection agreement on a product serviced by Sears:

**1-800-827-6655** (U.S.A.)

**1-800-361-6665** (Canada)

---

Para pedir servicio de reparación a domicilio, y para ordenar piezas:

**1-888-SU-HOGAR<sup>SM</sup>**

(1-888-784-6427)

Au Canada pour service en français:

**1-888-LE-FOYER<sup>MC</sup>**

[www.sears.ca](http://www.sears.ca)

# SEARS

® Registered Trademark/™ Trademark/ <sup>SM</sup> Service Mark of Sears, Roebuck and Co.

® Marca Registrada/™ Marca de Fábrica/ <sup>SM</sup> Marca de Servicio de Sears, Roebuck and Co.

<sup>MC</sup> Marque commerce/ <sup>MD</sup> Marque déposée de Sears, Roebuck and Co.