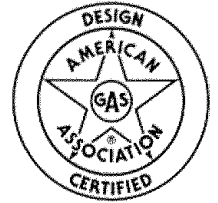


INSTALLATION AND CARE GUIDE

COMMERCIAL STACKED GAS DRYERS

009



IMPORTANT – OBSERVE ALL GOVERNING CODES

Dryer must be levelled and rest firmly on floor.

Note to Installer – Be sure to leave these instructions with the Consumer.

Note to Consumer – Keep these instructions for local inspector's use.



WARNING – POTENTIAL FIRE AND SHOCK HAZARD

- Use only rigid metal or flexible metal 4" diameter ductwork inside the dryer cabinet or for exhausting to the outside. Never use plastic or other combustible ductwork. Never use foil or other thin ductwork that can be easily punctured with a screwdriver or nail.
- This appliance must be properly grounded and installed as described in these instructions.

Important

- The dryers must be exhausted to the outside.
- Use only metal duct inside dryer cabinet or for exhausting to outside.

Tools you will need

- Slip joint pliers
- Phillips and flat head screwdrivers

WARNING: For your safety the information in this manual must be followed to minimize the risk of fire or explosion or to prevent property damage, personal injury or loss of life.

- Do not store or use gasoline or other flammable vapors and liquids in the vicinity of this or any other appliance.

WHAT TO DO IF YOU SMELL GAS

- Do not try to light any appliance.
- Do not touch any electrical switch; do not use any phone in your building.
- Clear the room, building or area of all occupants.
- Immediately call your gas supplier from a neighbor's phone. Follow the gas supplier's instructions.
- If you cannot reach your gas supplier, call the fire department.

Installation and service must be performed by a qualified installer, service agency or the gas supplier.

The American Gas Association requires the following safety cautions be posted and displayed in a prominent location:

- a. Instructions to be followed in the event the user smells gas. The information to be posted shall be obtained by consulting with the local gas supplier.
- b. This note:

FOR YOUR SAFETY

DO NOT STORE OR USE GASOLINE OR
OTHER FLAMMABLE VAPORS AND LIQUIDS
IN THE VICINITY OF THIS
OR ANY OTHER APPLIANCE

INSTALLATION

CAUTION: FOR PERSONAL SAFETY, STACKED UNITS MUST BE FASTENED SECURELY TO WALL.

STEP 1

Attach two chains using Phillips head screws to each end of upper unit cabinet.

STEP 2

Locate two wall studs behind desired operating location of stacked units.

NOTE: For wall studs not appropriately spaced, see section for Alternate Method for Installation of Wall Hooks.

STEP 3

Screw two wall hooks into two wall studs (same height as chain connections on cabinet of upper unit). Both chains should pull straight back to wall studs or angle outward. NEITHER chain should angle inward.

NOTE: The final construction must withstand a pull of 200 lbs.

STEP 4

Connect both dryers to gas supply.
(See GAS CONNECTION INFORMATION of this instruction.)

STEP 5

Connect both dryers to power supply. (See ELECTRICAL CONNECTION INFORMATION section of this instruction.)

STEP 6

Connect both dryers to external exhaust. (See EXHAUST INFORMATION section of this instruction.)

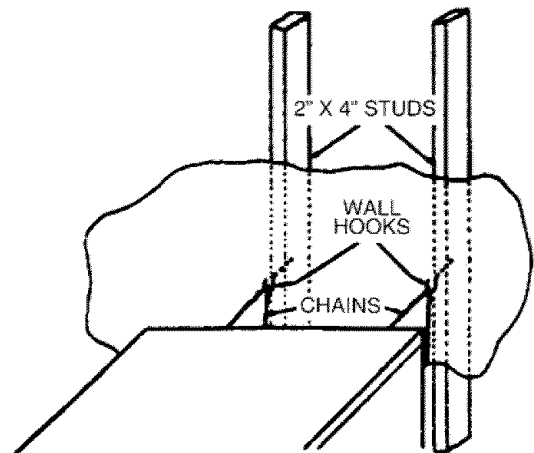
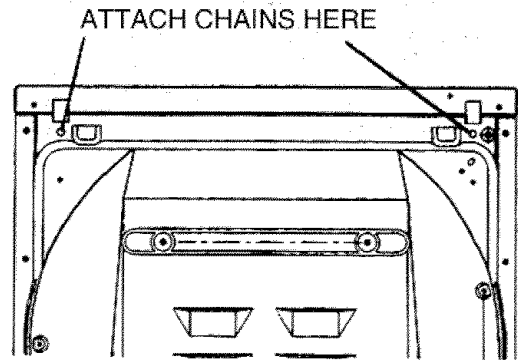
STEP 7

Hook both chains from upper unit to appropriate wall hooks taking up any slack.

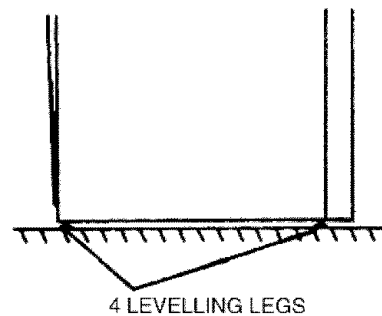
STEP 8

Adjust all 4 levelling legs. Dryer must be levelled and rest firmly on all 4 levelling legs.

REAR VIEW



SIDE VIEW



Alternate Method for Installation of Wall Hooks

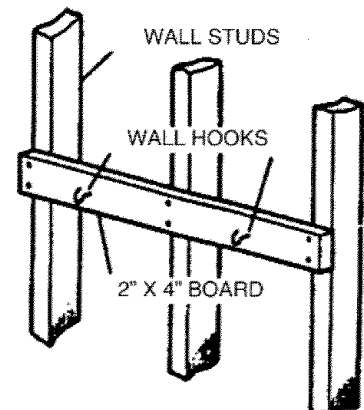
STEP 1

If wall studs are not correctly spaced or centered behind upper unit, it may be necessary to attach a horizontal 2" x 4" board to the existing wall.

STEP 2

Attach wall hooks in approximate position of two chains of upper unit so each chain pulls straight back to wall.

NOTE: If wall is concrete or block, drill holes and use appropriate wall anchors. The final construction must withstand a pull of 200 lbs.



ELECTRICAL CONNECTION INFORMATION

CAUTION, FOR PERSONAL SAFETY:

DO NOT USE AN EXTENSION CORD OR AN ADAPTER PLUG WITH THIS APPLIANCE.

DO NOT, UNDER ANY CIRCUMSTANCES, CUT OR REMOVE THE THIRD GROUNDING PRONG FROM THE POWER CORD.

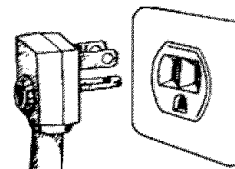
Dryer must be electrically grounded in accordance with local codes and ordinances, or in the absence of local codes, in accordance with the NATIONAL ELECTRICAL CODE, ANSI/NFPA NO. 70-1990.

The electrical diagram is located inside control panel

Electrical requirements

- This appliance must be supplied with 120V, 60 Hz, and connected to an individual, properly grounded branch circuit, protected by a 15 or 20 amp circuit breaker or time-delay fuse.

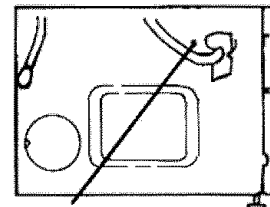
If the electric supply provided does not meet the above specifications, it is recommended that a licensed electrician install an approved outlet.



INSURE PROPER GROUND EXISTS BEFORE USE

External ground (if required)

An external ground wire, (not provided), which meets local codes, REAR VIEW may be added by attaching to the green ground screw on the rear of the dryer, and to grounded metal cold water pipe or other established ground.



ATTACH GROUND WIRE TO EACH DRYER (OBTAIN LOCALLY)

GAS CONNECTION INFORMATION

Installation must conform with local codes and ordinances, or in their absence the NATIONAL FUEL GAS CODE, ANSI 2223. 1-1988.

GAS BURNER ORIFICE

This gas dryer is equipped with a Valve & Burner Assembly for use only with natural gas. Using a separate conversion kit your local Service organization can convert this dryer for use with gases listed on the rating plate. ALL CONVERSIONS MUST BE MADE BY PROPERLY TRAINED AND QUALIFIED PERSONNEL, AND IN ACCORDANCE WITH LOCAL CODE AND ORDINANCE REQUIREMENTS.

GAS SUPPLY

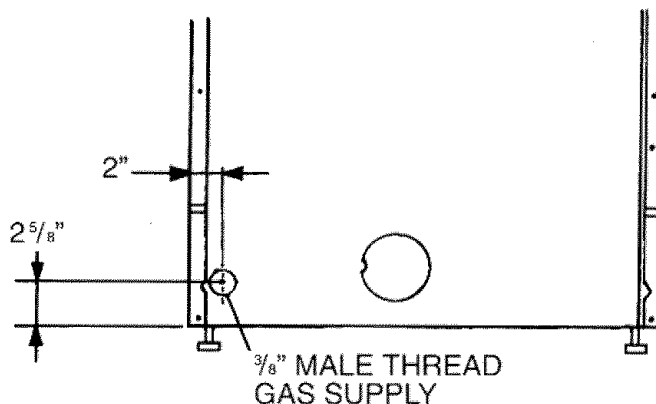
- Supply line is to be 1/2" rigid pipe, (3/4" copper tubing may be used if the dryer is operated on Liquefied Petroleum gas), and equipped with an accessible shut-off within 6 feet of, and in the same room with the dryer. Increase pipe size for runs longer than 20 feet.
- Protection of Dryer During Pressure Test:
 - When test pressure is in excess of 1/2 PSIG (3.45kPa), disconnect dryer and its individual shutoff valve from gas supply line prior to test.
 - When test pressure is equal to or less than 1/2 PSIG (3.45kPa), close the dryer shutoff valve prior to test.
- A 1/8" National Pipe Taper thread plugged tapping, accessible for test gauge connection, must be installed immediately upstream of the gas supply connection to the dryer. Contact your local gas utility should you have questions on the installation of the plugged tapping.
- Pipe dope must be resistant to the action of L.P. gases and applied sparingly to all male threads.
- If local codes permit, it is recommended the dryer be connected to the gas supply with approved semi-rigid metal tubing or listed connectors.

LEAK TEST

Check all connections for leaks with soapy solution or equivalent. Leak test solutions must not contain ammonia which could cause damage to brass fittings or pipe. CAUTION: NEVER USE AN OPEN FLAME TO TEST FOR GAS LEAKS.

GAS SUPPLY LOCATION

Note: Units have separate gas supplies.



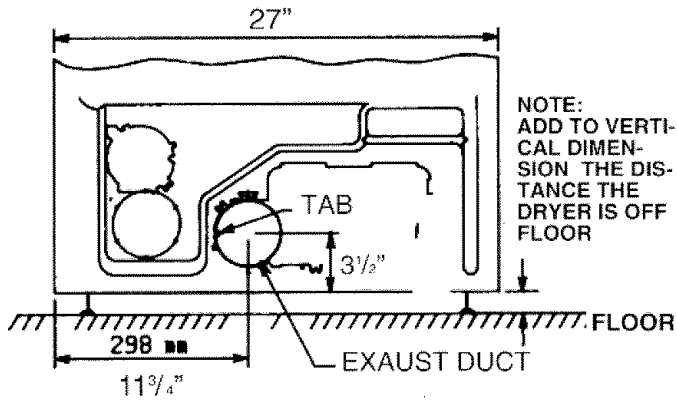
EXHAUST INFORMATION

CAUTION, FOR PERSONAL SAFETY:

- The dryers must be exhausted to the outside.
- Do not use non metallic flexible duct.
- Never use flexible duct inside the dryer.
- Do not terminate exhaust in a chimney, range hood, gas vent, floor or attic. The combination of lint and grease could create a fire hazard or damages.
- Provide an access for inspection and cleaning the exhaust system at least once a year, especially at the turns.

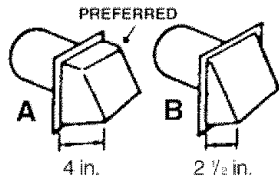
REAR EXHAUST LOCATION

The dryers come ready for rear exhausting. Units have separate exhausts.



EXHAUST LENGTH

The MAXIMUM ALLOWABLE length of the exhaust system depends upon the type of duct, number of turns, the type of exhaust hood (wall cap), and all conditions noted below. The maximum allowable length for both rigid and flexible metal duct is shown in the table below. More than two 90° turns is not recommended.



	NUMBER OF 90° TURNS	MAXIMUM LENGTH	
		EXHAUST - HOOD TYPE -	
		A	B
RIGID METAL DUCT	0	45 ft.	30 ft.
4" DIAMETER	2	35 ft.	20 ft.
		25 ft.	10 ft.
FLEXIBLE METAL DUCT	0	30 ft.	15 ft.
4" DIAMETER	1	20 ft.	10 ft.
	2	10 ft.	

EXHAUST SYSTEM CHECK LIST HOOD OR WALL CAP

- Terminate in a manner to prevent back drafts or entry of birds or other wildlife.
- Termination should present minimal resistance to the exhaust air flow and should require little or no maintenance to prevent clogging.
- Wall caps must be installed at least 12" above ground level or any other obstruction with the opening pointed down.
- If roof vents or louvered plenums are used, they must be equivalent to a 4" dampered wall cap in regard to resistance to air flow, prevention of back drafts and maintenance required to prevent clogging.

SEPARATION OF TURNS

Separate all turns by at least 3 ft. of straight duct, including distance between last turn and dampered wall cap. If two turns must be closer than 3 ft., deduct 10 ft. from the maximum lengths shown in the table for each occurrence.

TURNS OTHER THAN 90°

- One turn of 45° or less may be ignored.
- Two 45° turns should be treated as one 90°.
- Each turn over 45° should be treated as one 90°.

SEALING OF JOINTS

- All joints should be tight to avoid leaks. The male end of each section of duct must point away from the dryer.
- Do not assemble the duct work with fasteners that extend into the duct. They will serve as a collection point for lint.
- Duct joints can be made air and moisture-tight by wrapping the overlapped joints with duct tape.

INSULATION

Duct work which runs through an unheated area or is near an air conditioning duct should be insulated to reduce condensation and lint build up and be sloped down toward outdoors.

NOTE: Never install screen inside exhaust duct.

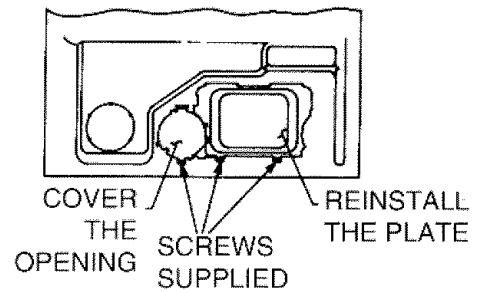
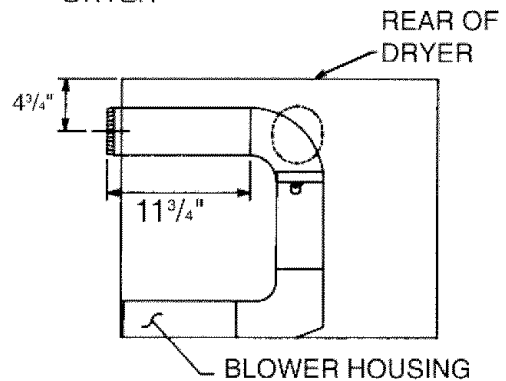
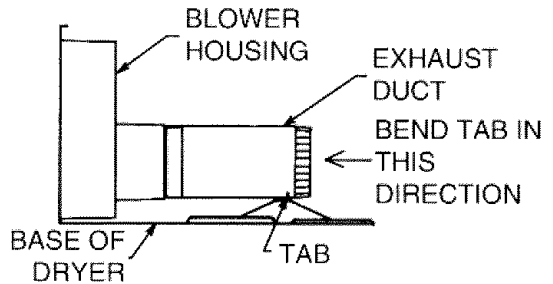
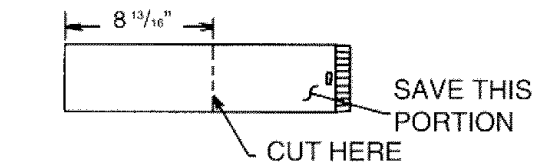
EXHAUST INFORMATION (continued)

FOR LEFT SIDE EXHAUST

- **Never use flexible duct inside dryer**
- Straighten up the tab inside the exhaust duct at the back of appliance (see figure on pg. 4), then remove the internal duct connected to the blower housing.
- Cut as shown to remove $8\frac{13}{16}$ " from the duct and reconnect it to the blower housing. Make sure that the tab opening is at the bottom of the duct.
- To secure the duct, insert the tab (located on the appliance base) in the opening and bend it.
- Detach and remove the knockout on the left side panel.
- Use a standard and adjustable metal elbow and a metal straight duct to exhaust the dryer through the knockout.
- Use only 4" diameter rigid metallic duct.
- Cover the opening at the back with the plate provided, installed on the back of the appliance.

PARTS AVAILABLE FROM LOCAL SERVICE ORGANIZATION

- Rigid Metal Duct Components
 - WX8X63 4" x 1' Duct
 - WX8X64 4" x 2' Duct
 - WX8X51 4" Elbow
 - WX8X59 4" Aluminum hood
- Flexible Metal Duct Components
 - Kit WX8X66-7' Aluminum duct
 - 4" aluminum hood and two clamps.
 - WX8X65 7' Aluminum flexible duct
 - WX8X58 4" Clamps (2)



MINIMUM CLEARANCES

- Minimum clearances are – 0" both sides
– 1" at rear
– 88" vertical space from floor to ceiling

CARE AND CLEANING

USER MAINTENANCE INSTRUCTIONS

The Drum. The drum is rust-resistant and requires no special care.

The Exterior. Wipe off any spills or washing compounds. Wipe or dust with damp cloth. Try not to strike the surface with sharp objects.

The Lint Filter. Wipe lint filter before every use. Periodically lint filter should be removed and suction hose from vacuum cleaner should be inserted into the opening.

Dryer Exhaust. Inspect and clean the dryer exhaust ducting at least once a year.

Do not obstruct the flow of combustion and ventilating air. The air intake is located on rear of dryer.

To store dryer. For short period of time, disconnect power supply and clean lint filter.

Do not install or store dryer where it will be exposed to the weather.

CAUTIONS

- Dryer control panel and finishes may be damaged by some laundry pre-treatment soil and stain remover products if such products are sprayed on or have direct contact with the dryer.

Apply these pre-treatment products away from the dryer. The fabric may then be washed and dried normally. Damage to your dryer caused by pre-treatment products is not covered by your warranty.

SERVICE

Parts and service are available from your General Electric Commercial Laundry Distributor