

# USE AND CARE GUIDE



## DISHWASHERS

Models:

DWHD440MFM

DWHD440MFP

DWHD440MPR

9000817362 Rev A (9302)

**Thermador**   
REAL INNOVATIONS FOR REAL COOKS.®

# USE AND CARE GUIDE

DISHWASHERS

Model:

DWHD440MFM

DWHD440MFP

DWHD440MPR

Congratulations and thank you!

Thank you for selecting a Thermador® dishwasher. You have joined the many consumers who demand superior performance developed from innovation and careful engineering.

This manual was written with your safety and convenience in mind, and the information contained herein is very important. We highly recommend that you read this manual before you use your dishwasher for the first time.

We have no doubt that you will be pleased with your purchase, and benefit from the extra effort we've invested. Should you have any questions or require assistance please contact our customer service department at:

[www.thermador.com](http://www.thermador.com) (USA)

or

[www.thermador.ca](http://www.thermador.ca) (Canada)

If you have any questions or comments, please contact us at:

1-800-735-4328

## Table of Contents

Important Safety Instructions.....	3-5
Dishwasher Components.....	5
Dishware Materials.....	6
Loading the Dishwasher.....	6-7
Loading the Silverware Basket.....	8
Rack Accessories.....	8-9
Adding Detergent and Rinse Aid.....	9-11
Dishwasher Cycles and Options.....	11
Wash Cycle Information.....	12
Operating the Dishwasher.....	13-14
Care and Maintenance.....	15-16
Self Help.....	17-19
Customer Service.....	20
Warranty Information.....	21-22

## **IMPORTANT SAFETY INSTRUCTIONS: Please READ and SAVE this information**



### **WARNING**

Misuse of the dishwasher can result in serious injury or death. Do not use the dishwasher in any way not covered in this manual or for any purpose other than those explained in the following pages.



Severe product damage and/or injury could result from the use of unqualified service technicians or non-original replacement parts. All repairs must be performed by a qualified service technician using only original equipment factory replacement parts.



Electrical shock or fire could result if the electrical supply for the dishwasher covered in this manual is incorrectly installed or if the dishwasher has been improperly grounded. Do not use the dishwasher covered in this manual unless you are certain the electrical supply has been correctly installed or the dishwasher has been properly grounded.



Never use harsh chemicals to clean your dishwasher. Some chloride-containing products can damage your dishwasher and may present health hazards!



Only sanitizing cycles have been designed to meet the requirements of 6 for soil removal and sanitation efficacy. There is no intention, either directly or indirectly, to imply that all cycles on a certified machine have passed the sanitization performance test.

### **NOTICE**

Never use steam cleaning products to clean your dishwasher. The manufacturer will not be liable for the possible damages or consequences.



It is highly recommended for the end user to become familiar with the procedure to shut off the incoming water supply and the procedure to shut off the incoming power supply. See the Installation Instructions or contact your installer for more information.



NSF/ANSI 184 Certified residential dishwashers are not intended for licensed food establishments.



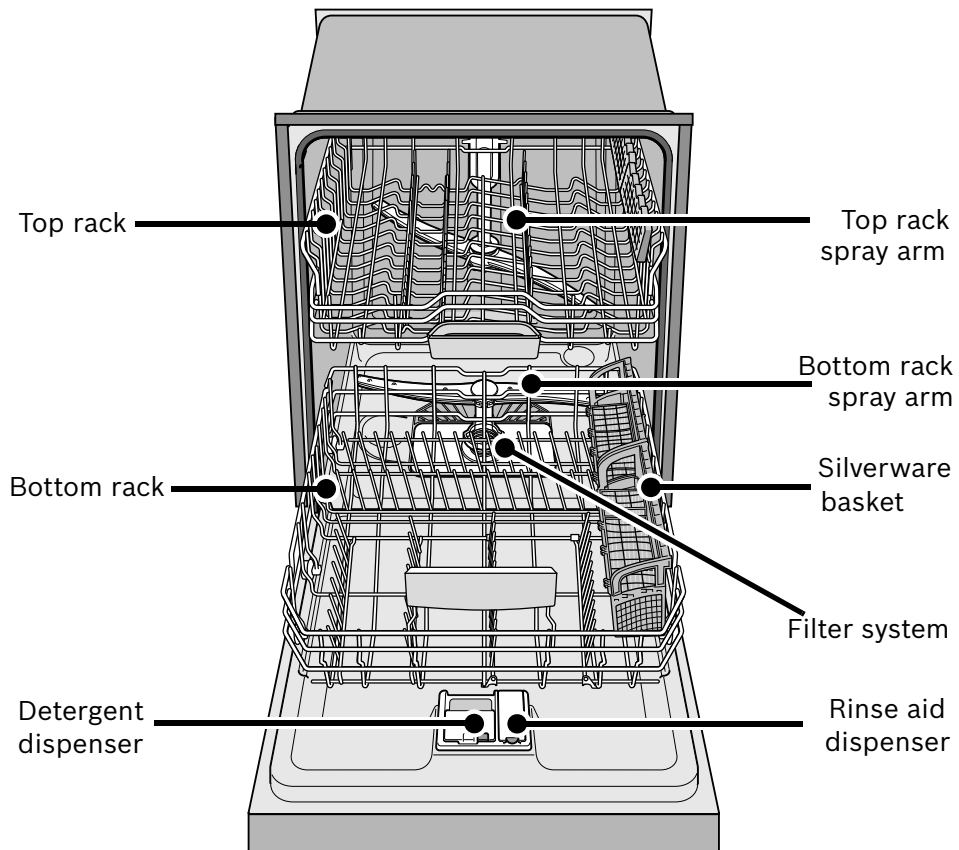
**WARNING: To reduce the risk of fire, electrical shock, or serious injury, observe the following:**

- 1 This dishwasher is provided with Installation Instructions and this Use and Care Manual. Read and understand all instructions before using the dishwasher.
- 2 This appliance must be grounded to a metal, permanent wiring system, or an equipment grounding conductor must be run with the circuit conductors and connected to the equipment grounding terminal or lead on the dishwasher. See the Installation Instructions included with this dishwasher for more information on electrical requirements.
- 3 Use this dishwasher only for its intended function, which is the washing of household dishware and kitchenware.
- 4 Use only detergents or rinsing agents recommended for use in a dishwasher, and keep them out of the reach of children.
- 5 When loading items to be washed:
  - Locate sharp items so they are not likely to damage the door seal.
  - Load knives and other sharp utensils with their HANDLES UP to reduce the risk of cut-type injuries.
  - Do not wash plastic items unless they are marked “dishwasher safe” or the equivalent. For plastic items not so marked, check the manufacturer’s recommendations.
  - Do not operate your dishwasher unless all enclosure panels are in place.
  - Do not tamper with or override controls and interlocks.
- 6 Do not abuse, sit or stand on the door or dish racks of the dishwasher.
- 7 To reduce risk of injury, do not allow children to play in or on the dishwasher.
- 8 When children become old enough to operate the appliance, it is the legal responsibility of the parents/legal guardians to ensure the children are instructed in safe practices by qualified persons.
- 9 Under certain conditions, hydrogen gas may be produced in a hot water system that has not been used for two weeks or more. Hydrogen gas is explosive. Before using a dishwasher that is connected to a hot water system that has been unused for two weeks or longer, turn on all hot water faucets and let the water flow from each for several minutes. This will release any accumulated hydrogen gas. As the gas is explosive, do not smoke or use an open flame during this time.
- 10 Remove the dishwasher door to the washing compartment when removing an old dishwasher for service or discarding.
- 11 To avoid floor damage and possible mold growth, do not allow wet areas to remain around or under the dishwasher.
- 12 Protect your dishwasher from the elements. Protect against freezing to avoid possible damage to the fill valve. Damage caused by freezing is not covered by the warranty.

- 13 This appliance must be grounded. In the event of a malfunction or breakdown, grounding will reduce the risk of electric shock by providing a path of least resistance for electric current. This appliance is equipped with a cord having an equipment-grounding conductor.
- Improper connection of the equipment-grounding conductor can result in risk of electric shock. Check with a qualified electrician or service representative if you are in doubt whether the appliance is properly grounded.

State of California Proposition 65 Warnings:  
WARNING: This product contains one or more chemicals known to the State of California to cause cancer.  
WARNING: This product contains one or more chemicals known to the State of California to cause birth defects or other reproductive harm.

## Dishwasher Components



## Dishware Materials

*Note: Before using your dishwasher for the first time, check the information in this section. Some items are not dishwasher safe and should be hand washed; others require special loading.*

### Recommended

**Aluminum:** Colored anodized aluminum may fade over time. Minerals in your water may cause the aluminum to darken or spot. This can usually be removed with a soap-filled steel wool pad.

**China, Crystal, Stoneware:** Some hand-painted utensils may discolor, fade or spot. Hand wash these utensils. Position fragile glassware so that it will not topple over or come in contact with other utensils during the wash cycle.

**Glass:** Milk glass may discolor or become yellow.

**Non-stick Coatings:** Apply a light coating of vegetable oil to non-stick surfaces after drying.

**Plastics:** Make sure the plasticware is dishwasher safe.

**Stainless Steel, Sterling Silver and Silver Plates:** Load these so they do not come in contact with other metals.

### Not Recommended

**Acrylic:** crazing or small cracks throughout the acrylic, may occur.

**Adhesive-Joined Pieces:** Adhesives that join materials such as plastic, wood, bone, steel copper, tin, etc. may loosen.

**Bone-Handled Utensils:** Handles may separate.

**Iron:** Iron will rust. Hand wash and dry immediately.

**Non-Dishware Items:** Your dishwasher is intended for use in cleaning ONLY standard household dishware and kitchenware.

**Pewter, Brass, Bronze:** These items will tarnish. Hand wash and dry immediately.

**Tin:** Tin will stain. Hand wash and dry immediately.

**Wood:** Wooden bowls, wooden utensils and utensils with wooden handles can crack, warp and lose their finish.

## Loading the Dishwasher

Do not pre-wash items with loosely attached soiling. Remove all food particles, bones, toothpicks and excessive grease. Items having burned-on, baked-on or starchy soils may require some pretreatment. Refer to the Dishware Materials section for more information about dishware suitability.

Load only dishwasher safe items into the dishwasher. Load dishes in the dishwasher racks so the insides of bowls, pots and pans are facing the spray arms. Avoid nesting and contact points between dishes. Separate items of dissimilar metals.

## Loading the Top Rack

Ensure items do not protrude through the bottom of the racks and block the spray arms.

*Note: When pushing the top rack into the dishwasher, push it until it stops against the back of the tub so the top rack spray arm connects to the water supply at the back of the tub. Do not push racks in using the door.*

## Loading the Bottom Rack

Place large items in the bottom rack. Load pots, pans and bowls upside down. Do not block vent with tall baking sheets. Load these items on the left side of the dishwasher.

## Unloading the Dishwasher

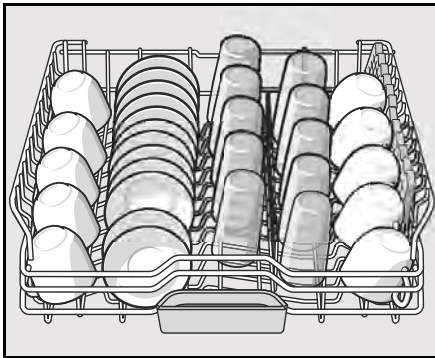
When unloading the dishwasher it is best to unload the bottom rack first. Next, unload the silverware basket followed by the top rack.

### NOTICE

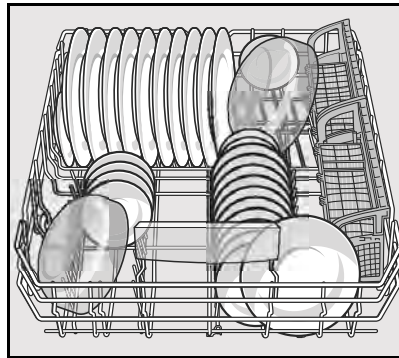
To avoid dishwasher damage, do not load the dishwasher with paper products, plastic bags, packing materials or anything other than normal, dishwasher safe dishware and kitchenware.

#### Suggested Loading Pattern

Top Rack

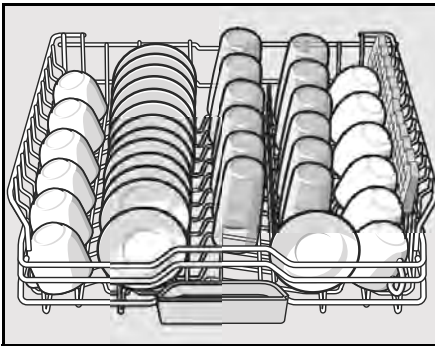


Bottom Rack

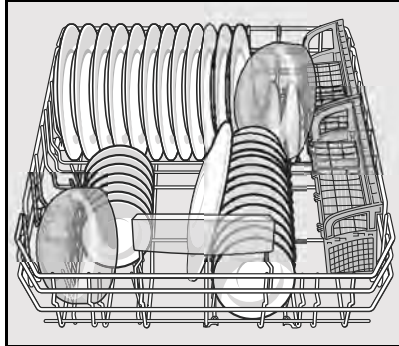


#### Additional Loading Pattern

Top Rack



Bottom Rack





## Loading the Silverware Basket

Place knives and sharp utensils with their HANDLES UP and forks and spoons with their handles down. If large or oddly-shaped items are loaded in the silverware basket, be sure they do not nest together.

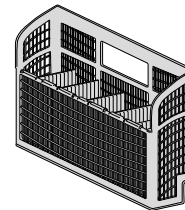


### WARNING

The sharp points and edges of knives and other sharp utensils can cause serious injury. Load knives and other sharp utensils with edges down. Do not allow children to handle or play near knives and sharp utensils.

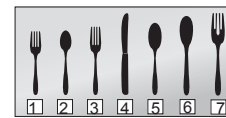
## The Long Silverware Basket

The long silverware basket fits along the side of the lower rack.



## Loading pattern for Long Silverware Basket

4	4	4	4	4	4	6	2	2	2	2	2	2	2	2	6	4	4	4	7	4	4	4
3	3	3	3	3	3	2	2	2	2	2	2	2	2	2	3	3	3	3	3	3		
1	1	1	1	1	1	2	2	2	2	2	2	2	2	2	1	1	1	1	1	1		



The basket lid may also be snapped to the handle in order to leave the basket open.

- 1- salad fork
- 2- teaspoon
- 3- dinner fork
- 4- knife
- 5 - tablespoon
- 6 - serving spoon
- 7 - serving fork

## Rack Accessories

### RackMatic® Adjustable Upper Rack

The top rack can be raised or lowered to accommodate large items in either rack. See Figure 1.

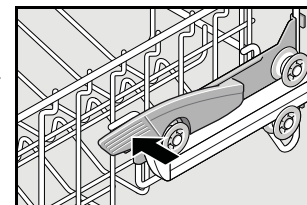
To lower the top rack:

- 1 Pull the empty top rack out of the dishwasher until it stops.
- 2 Press the RackMatic adjustable top rack handles inward and let the rack drop gently.

To raise the top rack:

- 1 Pull the empty top rack out of the dishwasher until it stops.
- 2 Grasp the top of the rack above the RackMatic handles and pull it upward until the handles lock the rack into position (you do not need to press the handles in order to raise the rack).

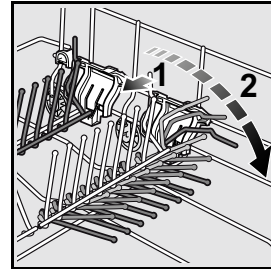
Figure 1



## Flip Tines

The racks consist of tines that can be folded down depending on what you may need to load in the rack. To fold down, grasp the folding tine and release from notch. Push folding tine downward to desired position as shown in Figure 2.

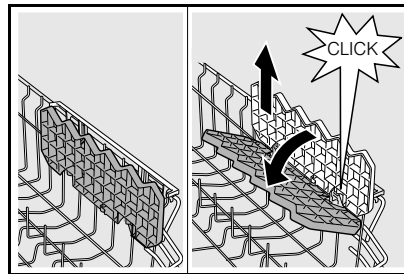
Figure 2



## Cup Shelves

The shelf and the space underneath can be used for small cups or for larger serving utensils.

Figure 3



## Adding Detergent and Rinse Aid

### Detergent

Use only detergent specifically designed for dishwashers. For best results, use fresh powdered dishwashing detergent or detergent tabs.

#### NOTICE

To avoid dishwasher damage, do not use hand dishwashing products in your dishwasher. ■

To avoid dishwasher damage, do not use too much detergent if your water is soft. Using too much detergent with soft water may cause etching in glassware.

This dishwasher uses less water than most, therefore, less detergent is required. With soft water, 1 tablespoon (15ml) of detergent will clean most loads. The detergent dispenser cup has lines that measure detergent to 1 tablespoon (15ml) and 2 tablespoons (25ml). 3 tablespoons (45ml) of detergent will completely fill the detergent dispenser.

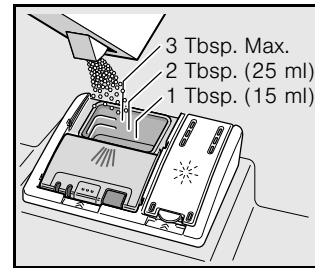
*Note: If you do not know the hardness of your water supply, use 1 tablespoon (15ml) of detergent. Increase the amount if necessary to the least amount required to get your kitchenware clean.*

Use the measuring lines in the detergent dispenser cup as a guide to measure the amount of detergent recommended in Table 1.

### Adding Detergent

- 1 tbsp (15ml) will clean most loads (see Figure 4).
- Do not use more than 3 tbsp (45ml).
- Do not over fill the detergent dispenser.
- When using detergent tabs, lay them such that they do not come in contact with the cover.

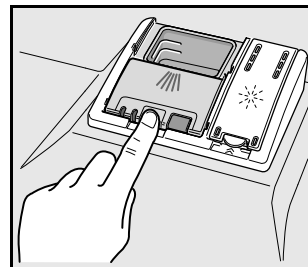
Figure 4



### To Close

- Place finger as shown in Figure 5.
- Slide door closed and press down firmly until it clicks.

Figure 5



### To Open

- To open the cover, push the button as shown in Figure 6. Cover will slide open.

Figure 6

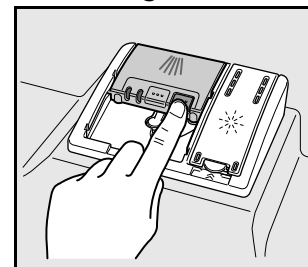


Table 1 - Recommended Detergent Amount

Wash Cycle	Hard Water/ Heavy Soil	Medium Water/ Medium Soil	Soft Water/ Little Soil
Pots & Pans	45ml (3tbsp)	45ml (3tbsp)	25-45ml (1.75-3tbsp)
Auto	25-45ml (1.75-3tbsp)	25ml (1.75tbsp)	15-25ml (1-1.75tbsp)
Normal	25-45ml (1.75-3tbsp)	25ml (1.75tbsp)	15-25ml (1-1.75tbsp)
Quick	25ml (1.75tbsp)	15-25ml (1-1.75tbsp)	15ml (1tbsp)

### Rinse Aid

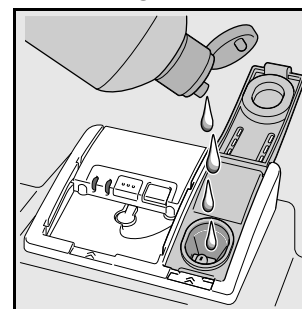
To achieve proper drying, always use a liquid rinse aid, even if your detergent contains a rinse aid or drying additive.

*Note: The dishwasher indicates low rinse aid by turning on the "Add Rinse Aid" indicator light. If this light is on, you need to refill the rinse aid dispenser by following the directions below.*

Add liquid rinse aid to the dispenser until it is full (see Figure 7). Wipe up any excess rinse aid that may puddle when the dispenser reservoir is full. Lid must be snapped fully closed in order to seal. The indicator light will go out a few moments after the dishwasher door is shut. See next page for instructions on how to adjust the amount of rinse aid dispensed.

*Note: Setting the rinse aid to "r:00" may increase cycle times.*

Figure 7



## Setting the amount of rinse aid

The amount of rinse aid dispensed can be set from "r:00" to "r:06".

To change the setting:

- 1 Press the [On/Off] button.
- 2 Hold down the "A" button (see page 13) and press [Start] until the display indicates "d:00". Release both buttons.
- 3 Press the "A" button until the display shows "r:05".
- 4 Press the "C" button to select the desired setting.

r:00 = dispenser is OFF      r:04 = medium/high setting

r:01 = lowest setting      r:05 = high setting

r:02 = low setting      r:06 = highest setting

r:03 = medium setting

- 5 Press [Start] to save the setting.

## Dishwasher Cycles and Options

### Wash Cycles

**Pots & Pans:** Best for cleaning items with baked-on food or grease. These dishes would normally require soaking.

**Auto:** With our most complex soil sensing capability, this cycle is perfect for use with mixed loads of dishware and varying amounts of food soil. This is the most flexible cycle and is a good choice for everyday use.

**Normal:** Thoroughly cleans a full load of normally soiled dishes.

*Note: The Energy Guide Label was based on this soil sensing cycle with all available options turned off. As prescribed in the energy test procedure, the unit was tested without any Rinse Aid in the Rinse Aid dispenser. A single dose of detergent was used in the Detergent Dispenser, with no detergent used in the prewash. The test was conducted with the upper rack in the highest position.*

**Quick:** Cleans lightly soiled dishes and reduces overall wash time.

### Wash Cycle Options

**Delay Start:** Allows you to delay the start time of your dishwasher up to 24 hours.

**Half Load:** The Half Load option can reduce the energy and water consumption when washing small, lightly soiled loads that fill approximately half of the dishwasher's capacity. To activate select the wash cycle, select the Half Load option and press Start.

**PowerBoost®:** Combines powerful water pressure with increased water temperature to deliver the ultimate in heavy duty washing performance throughout the dishwasher. PowerBoost is available in the Pots & Pans, Auto and Normal cycles. To activate, select the "PowerBoost" button in addition to any of the three cycles listed above.

**Extra Dry:** Used in combination with a wash cycle, the Extra Dry option raises the temperature and extends the drying time to further enhance drying results.

*Note: The dishwasher automatically defaults to Auto when turned off and back on. If you used the Extra Dry option in your last cycle, the dishwasher will default to Auto Wash with the Extra Dry option selected when you turn it on.*

## Wash Cycle Information

To save energy, this dishwasher has a "Smart Control" where the sensors in the dishwasher automatically adjust the cycle length, temperature and water changes based on the amount of food soil and the incoming water temperature. The "Smart Control" makes decisions that can cause the cycle time and water usage to adjust intermittently. Wash cycle times are based on 120°F water supply. If your household water supply is different than 120°F, your dishwasher's cycle times may be impacted.

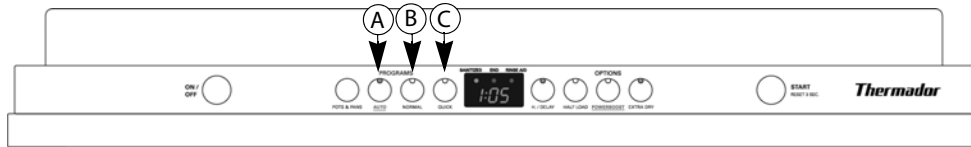
**Table 2 - Wash Cycle Information**

	Pots & Pans	Auto	Normal	Quick
cycle time	110-135 min	105-129 min	130-135 min	30 min
water consumption	18.6-24.2L 4.9-6.4 gal	13.1-24.5 L 3.5-6.5 gal	8.8-20.8 L 2.4-5.5 gal	10.5 L 2.8 gal
wash temperature	66-71°C 150-160°F	53-66°C 127-150°F	45-55°C 113-131°F	45°C 113°F
rinse temperature	72°C 162°F	67°C 153°F	69°C 156°F	50°C 122°F
<b>Half Load</b>				
cycle time	115 min	95-105 min	90-99 min	n/a
water consumption	17.9 L 4.8 gal	10.2-16.5 L 2.7-4.4 gal	10.8-13.9 L 2.8-3.7 gal	n/a
rinse temperature	72°C 162°F	70°C 158°F	72°C 162°F	n/a
<b>PowerBoost®</b>				
cycle time	125-145 min	120-145 min	145-150 min	n/a
water consumption	18.6-24.2 L 4.9-6.4 gal	13.1-24.5 L 3.5-6.5 gal	8.8-20.8 L 2.4-5.5 gal	n/a
rinse temperature	72°C 162°F	67°C 153°F	69-72°C 156-162°F	n/a
<b>ExtraDry</b>				
cycle time	130-150 min	125-150 min	135-155 min	60 min
water consumption	18.6-24.2 L 4.9-6.4 gal	13.1-24.5 L 3.5-6.5 gal	8.8-20.8 L 2.4-5.5 gal	10.5 L 2.8 gal
rinse temperature	72°C 162°F	72°C 162°F	72°C 162°F	72°C 162°F

Note: Only sanitizing cycles have been designed to meet the requirements of 6 for soil removal and sanitization efficacy. There is no intention, either directly or indirectly, to imply that all cycles have passed sanitization performance tests.

# Operating the Dishwasher

DWHD440MFM, DWHD440MFP, DWHD440MPR



NOTE: For models with hidden controls, the door must be opened before changing settings and closed after changing settings.

## Start the dishwasher

- 1 Press the [On/Off] button. The LED of the last selected cycle flashes.
- 2 Select a cycle and desired options.
- 3 Press [Start].

## Cancel a cycle

- 1 Press and hold the [Start] button for approximately 3 seconds until the display reads "0:01".
- 2 Wait about 1 minute while the dishwasher drains.
- 3 Open the door and press the [On/Off] button.

## Interrupt a cycle

- 1 Press the [On/Off] button to turn the unit off.
- 2 To resume the cycle, press the [On/Off] button again.

## Delay Start

You can delay the start of the cycle in one hour increments up to 24 hours.

To set delay start:

- 1 Press the [On/Off] button. Select a cycle.
- 2 Press the [Delay] button until the displayed time corresponds with your requirements.

h:01 = 1 hour delay

h:24 = 24 hour delay

- 3 Press [Start] to activate delay start.

To cancel delay start:

- 1 Press the [Delay] button until "h:00" is indicated on the digital display.
- 2 Press [Start] to save setting.

## Cycle Completion Signal

- 1 Open the door and press the [On/Off] button.
- 2 Hold down the "A" button (see above) and press [Start] until the display indicates "d:00". Release both buttons.
- 3 Press the "A" button until the display shows "b:02".
- 4 Press the "C" button to increase or decrease the tone "b:00" = OFF and "b:03" = LOUDEST
- 5 Press [Start] to save setting and close the door.

## Intensive Drying

The final rinse uses a higher temperature which improves the drying results. The running time may increase slightly.

To turn intensive drying on:

- 1 Press the [On/Off] button.
- 2 Hold down the "A" button (see page 13) and press [Start] until the display indicates "d:00". Release both buttons
- 3 Press the "A" button until the display shows "d:00".
- 4 Press the "C" button to turn intensive drying on or off. "d:01" = ON and "d:00" = OFF
- 5 Press [Start] to save setting.

## Auto Power Off

To save energy, the dishwasher is turned off 1 minute after the wash cycle ends. Auto Power Off can be adjusted from P:00 to P:02.

To change the factory setting (P:01):

- 1 Press the [On/Off] button.
- 2 Hold down the "A" button and press [Start] until the display indicates "d:00". Release both buttons.
- 3 Press the "A" button until the display indicates "P:01".
- 4 Press the "C" button until the display corresponds with your requirements.

P:00 = dishwasher does not turn off automatically

P:01 = dishwasher turns off automatically after 1 minute

P:02 = dishwasher turns off automatically after 120 minutes (2 hours)

- 5 Press [Start] to save the setting.

## InfoLight®

An LED illuminates the floor to indicate the unit is running. If the appliance is installed at eye-level, the LED is not visible.

To change the setting:

- 1 Open the door and press the [On/Off] button.
- 2 Hold down the "A" button (see page 13) and press [Start] until the display indicates "d:00".
- 3 Release both buttons.
- 4 Press the "A" button until the display shows "1:01".
- 5 Press the "C" button to switch between "1:01" = ON and "1:00" = OFF and press [Start] to save.

# Care and Maintenance

A regular inspection and maintenance of your machine will help to prevent faults. This saves time and prevents future problems.

## Overall condition of the machine

Never use a steam cleaner to clean your dishwasher. The manufacturer is not liable for any resulting damage.

Regularly wipe the front of the appliance with a damp cloth - water and a small amount of liquid soap is adequate. Do not use sponges as they could scratch the surfaces.

Stainless steel appliances: To prevent corrosion, do not use sponges.

Clean the outer edges of the inside door panel regularly to remove debris that may collect from normal loading. If spots begin to appear on the stainless steel, make sure the rinse agent is full and functioning properly.

## Filters

The filter system consists of a coarse filter, a flat fine filter and a micro filter. The filters keep large foreign objects in the rinsing water away from the pump. Foreign objects may occasionally block the filters.

Check the filters for residue by:

- Unscrew the filter cylinder as illustrated in Figure 8-9 and take out the filter system.
- Remove any residue and clean filters under running water.
- Reinstall filter system in reverse sequence and ensure that the arrow marks are facing each other after locking it into place.

Figure 8

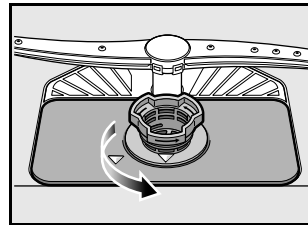


Figure 9

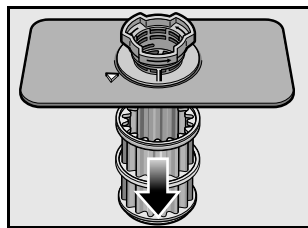
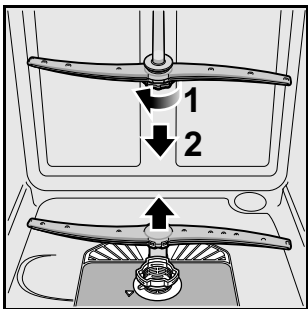


Figure 10



## Spray Arms

Check spray arms for grease and limescale deposits.

If you find such deposits:

- Fill detergent dispenser with detergent and start the appliance without utensils in the cycle with the highest rinsing temperature (see wash cycle information table).
- Clean the appliance with detergents/appliance cleaners which are particularly suitable for use with dishwashers.
- Unscrew the spray arms and inspect as shown in Figure 10.



### Waste water pump

Large food remnants in the rinsing water not retained by the filters may block the waste water pump.

Notice: Use caution when removing any blockage as items causing blockage may be sharp.

In this case:

- Disconnect the appliance from the power supply.
- Remove the filters.
- Scoop out standing water - use a sponge if necessary.
- Using a spoon, pry off the pump cover (see Figure 11-12) until it clicks, then grip the cover and pull upward until it resists and then pull forward.
- Check inner compartment and remove any foreign objects.
- Place cover in the original position, press down and engage.
- Reinstall filters.

Figure 11

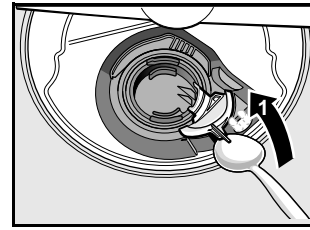
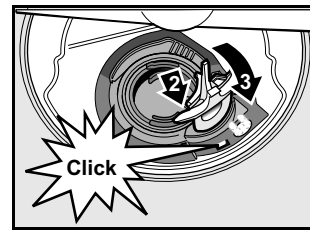


Figure 12



### Preparing your unit for vacation

Before leaving for vacation during warmer weather, besides turning off the main valve, also turn off water supply at the nearest point to the dishwasher. During colder weather, please follow the instructions for winterizing your unit below.

### Winterizing your unit

If your dishwasher will be unused for an extended period of time in a location that experiences freezing temperatures (holiday home or through a vacation period), have your dishwasher winterized by an authorized professional service.

# Self Help

Dishwashers may occasionally exhibit problems that are unrelated to a malfunction of the dishwasher itself. The following information may help you with a dishwasher problem without involving a repair professional.

Problem	Cause	Action
Dishwasher does not start	<ol style="list-style-type: none"> <li>1. Door may not be properly latched</li> <li>2. Unit may not be turned on</li> <li>3. Unit not reset or previous cycle not completed</li> <li>4. Delay start engaged</li> <li>5. Interruption of electrical power supply to dishwasher or blown fuse.</li> <li>6. The door may have been closed without first selecting a cycle</li> <li>7. Water supply may not be turned on</li> </ol>	<ol style="list-style-type: none"> <li>1. Shut the door completely until you hear a click</li> <li>2. Press the main power switch to turn unit on</li> <li>3. Instructions on how to reset in this manual</li> <li>4. To reset, refer to "Delay Start" section in this manual</li> <li>5. Check circuit breaker</li> <li>6. Select a cycle and close the door.</li> <li>7. Check and turn on water supply</li> </ol>
Display does not illuminate	<ol style="list-style-type: none"> <li>1. A fuse may have been blown or circuit breaker tripped</li> <li>2. Door not closed or latched</li> </ol> <p>Note: For models with controls on top of the door, the display only illuminate when the door is opened and controls are visible.</p>	<ol style="list-style-type: none"> <li>1. Check the fuse or circuit breaker box and replace the fuse or reset the breaker if necessary</li> <li>2. Ensure door is properly latched and completely closed</li> </ol>
Dishwasher seems to run a long time	<ol style="list-style-type: none"> <li>1. Incoming water is not warm enough</li> <li>2. Cycle time can vary due to soil and water conditions</li> <li>3. Rinse aid dispenser is empty</li> <li>4. Dishwasher connected to cold water supply</li> </ol> <p>Note: Refer to "Wash Cycle Information" section in this manual for typical cycle lengths</p>	<ol style="list-style-type: none"> <li>1. Before starting a cycle, run hot water faucet at the sink closest to the dishwasher</li> <li>2. Sensors in the dishwasher automatically increase the cycle time to ensure a good wash when heavy soil is detected</li> <li>3. Add rinse aid</li> <li>4. Verify dishwasher is connected to hot water supply plumbing</li> </ol>

<b>Problem</b>	<b>Cause</b>	<b>Action</b>
Dishes are not getting clean enough	<ol style="list-style-type: none"> <li>1. Spray arm movement obstructed</li> <li>2. Spray arm nozzles clogged</li> <li>3. Improper use of detergents</li> <li>4. Filters could be clogged</li> <li>5. Dishes are nested or loaded too close together</li> <li>6. Selected wash cycle is not suitable for food soil conditions</li> </ol>	<ol style="list-style-type: none"> <li>1. Ensure that spray arm movement is not blocked by hand rotating spray arms before starting cycle</li> <li>2. Remove the spray arms and clean according to the "Care and Maintenance" section of the manual</li> <li>3. Increase or decrease detergent depending on the water hardness (refer to Table 1)</li> <li>4. Clean the filters according to the "Care and Maintenance" section of the manual</li> <li>5. Rearrange load such that water spray can reach all items in the dishwasher - see "Loading the Dishwasher" section of the manual</li> <li>6. Refer to "Wash Cycle Information" section of the manual</li> </ol>
Streaks on glassware or residue on the dishes	<ol style="list-style-type: none"> <li>1. Incorrect rinse aid setting</li> </ol>	<ol style="list-style-type: none"> <li>1. Depending on the hardness of water, adjust the rinse agent dispenser. Refer to "Adding Detergent and Rinse Aid" section in the manual</li> </ol>
Dishes are not getting dry enough	<ol style="list-style-type: none"> <li>1. Rinse aid dispenser is empty</li> <li>2. Improper loading of dishes</li> </ol> <p>Note: Plastic or Teflon do not typically dry as well as other items due to their inherent properties</p>	<ol style="list-style-type: none"> <li>1. Add rinse aid - the use of rinse agent improves drying</li> <li>2. Rearrange load to ensure items are not nesting (see "Loading the Dishwasher" section of the manual)</li> </ol> <p>Note: Select models offer an extra heating option to improve drying performance.</p>
Odor	<ol style="list-style-type: none"> <li>1. Food debris is present at the bottom of the dishwasher</li> <li>2. Food particles are present near the door seal</li> <li>3. Residual water is present at the bottom of the dishwasher</li> <li>4. Drain hose is obstructed</li> </ol>	<ol style="list-style-type: none"> <li>1. Remove the filters and clean according to the "Care and Maintenance" section on of the manual</li> <li>2. Refer to "Care and Maintenance" section of the manual</li> <li>3. Ensure the unit has completely drained from the last cycle</li> <li>4. Remove any obstructions from the drain hose by calling qualified personnel.</li> </ol> <p>Note: If odor still persists, run the Normal/Regular cycle until it flushes and interrupt the cycle and place an 8oz. cup of distilled white vinegar solution on the top rack and then finish the cycle.</p>

<b>Problem</b>	<b>Cause</b>	<b>Action</b>
Dishwasher not filling with water or "Check water supply" display lights up	<ol style="list-style-type: none"> <li>1. Restriction in the water supply system</li> <li>2. Previous wash cycle was not completed</li> <li>3. Delay start is active</li> <li>4. Household water supply turned off</li> </ol>	<ol style="list-style-type: none"> <li>1. Ensure that the water supply valve (typically located under kitchen sink) is open and check that the water supply line has no kinks or clogs</li> <li>2. Refer to the "Operating the Dishwasher" section of the manual.</li> <li>3. Cancel the delay start or wait until delay start time completes</li> <li>4. Turn on water supply</li> </ol>
Fascia panel discolored or marked	<ol style="list-style-type: none"> <li>1. Abrasive cleaner used</li> </ol>	<ol style="list-style-type: none"> <li>1. Use mild detergents with soft damp cloth</li> </ol>
Water leaks	<ol style="list-style-type: none"> <li>1. Suds</li> <li>2. Door seal could be pulled away from track</li> <li>3. Condensation vent is blocked</li> <li>4. Improper installation</li> </ol>	<ol style="list-style-type: none"> <li>1. Wrong type of detergent results in suds and leaks - use only dishwasher detergents. If suds still persist, add one tablespoon of vegetable oil at the bottom of the dishwasher and run the desired cycle.</li> <li>2. Ensure the door seal is in the track</li> <li>3. Ensure that condensation vent is not blocked</li> <li>4. Have proper installation verified by qualified personnel (water supply, drain system, leveling, plumbing)</li> </ol>
Tub stains	<ol style="list-style-type: none"> <li>1. Stains on the dishwasher interior are due to water hardness</li> <li>2. Silverware in contact with tub</li> </ol>	<ol style="list-style-type: none"> <li>1. Concentrated lemon juice can reduce the build up of hard water stains. Run Normal cycle until it flushes and interrupt the cycle and then place an 8oz. cup of the concentrated lemon solution on the top rack and finish the cycle. This can be done periodically to avoid build up.</li> <li>2. Ensure that silverware does not make contact with the tub while running a cycle.</li> </ol>
Noise during wash cycle	<ol style="list-style-type: none"> <li>1. Dishes may not be arranged properly</li> </ol>	<ol style="list-style-type: none"> <li>1. Water circulation sound is normal, but if you suspect items are banging into each other or into the spray arms, refer to the "Loading the Dishwasher" section of the manual for optimal arrangement.</li> </ol>

Problem	Cause	Action
Detergent dispenser cover will not shut	1. Improper operation of detergent cover 2. Previous cycle has not been finished or cycle was interrupted	1. Refer to "Adding Detergent and Rinse Aid" section of the manual for instructions on opening and closing the dispenser 2. Refer to the "Operating the Dishwasher" section of the manual
Unable to select desired cycle	1. Previous cycle has not finished	1. Refer to the "Operating the Dishwasher" section of the manual

## Customer Service

Your Thermador® dishwasher requires no special care other than that described in the Care and Maintenance section of this manual. If you are having a problem with your dishwasher, before calling for service please refer to the Self Help section of the manual. If service is necessary, contact your dealer or installer or an authorized service center. Do not attempt to repair the appliance yourself. Any work performed by unauthorized personnel may void the warranty.

If you are having a problem with your Thermador dishwasher and are not pleased with the service you have received, please take the following steps until the problem is corrected to your satisfaction:

- 1 Call us at 1-800-735-4328
- 2 Contact Customer Service from our web site:  
www.thermador.com (USA) or www.thermador.ca (Canada)
- 3 Contact your installer or the Thermador Authorized Service Contractor in your area.

Please be sure to include your model information as well as an explanation of the problem and the date it started. You will find the model and serial number information on the label located on the edge of the dishwasher door. Please make a copy of your invoice and keep it with this manual. The customer must show proof of purchase to obtain warranty service.



## Statement of Limited Product Warranty

What this Warranty Covers & Who it Applies to: The limited warranty provided by BSH Home Appliances Corporation ("BSH") in this Statement of Limited Product Warranty applies only to Thermador® dishwashers ("Product") sold to you, the first using purchaser, provided that the Product was purchased: (1) for your normal, household (non-commercial) use, and has in fact at all times only been used for normal household purposes; (2) new at retail (not a display, "as is", or previously returned model), and not for resale, or commercial use; and (3) within the United States or Canada, and has at all times remained within the country of original purchase. The warranties stated herein apply only to the first purchaser of the Product and are not transferable.

- Please make sure to return your registration card; while not necessary to effectuate warranty coverage, it is the best way for BSH to notify you in the unlikely event of a safety notice or product recall.

**How Long the Warranty Lasts:** BSH warrants that the Product is free from defects in materials and workmanship for a period of seven hundred thirty (730) days (i.e., 2 years) from the date of purchase. The foregoing timeline begins to run upon the date of purchase, and shall not be stalled, tolled, extended, or suspended, for any reason whatsoever. Labor and shipping costs are included in this basic coverage.

**Extended Limited Warranty:** BSH also provides these additional limited warranties:

- **5 Year Limited Warranty on Electronics:** BSH will repair or replace any Thermador® microprocessor or printed circuit board if it proves to be defective in materials or workmanship (excludes labor charges).
- **5 Year Limited Warranty on Dish Racks:** BSH will replace the upper or lower dish rack (excluding rack components), if the rack proves defective in materials or workmanship (excludes labor charges).
- **Lifetime Warranty against Stainless Steel Rust Through:** BSH will replace your dishwasher with the same model or a current model that is substantially equivalent or better in functionality, if the inner liner should rust through (excludes labor charges). BSH will replace the stainless steel door if the door should rust through (excludes labor charges).

The foregoing timeline begins to run upon the date of purchase, and shall not be stalled, tolled, extended, or suspended, for any reason whatsoever.

**Repair/Replace as Your Exclusive Remedy:** During this warranty period, BSH or one of its authorized service providers will repair your Product without charge to you (subject to certain limitations stated herein) if your Product proves to have been manufactured with a defect in materials or workmanship. If reasonable attempts to repair the Product have been made without success, then BSH will replace your Product (upgraded models may be available to you, in the sole discretion of BSH, for an additional charge). All removed parts and components shall become the property of BSH at its sole option. All replaced and/or repaired parts shall assume the identity of the original part for purposes of this warranty and this warranty shall not be extended with respect to such parts. The sole liability and responsibility of BSH hereunder is to repair manufacturer-defective Product only, using a BSH authorized service provider during normal business hours. For safety and property damage concerns, BSH highly recommends that you do not attempt to repair the Product yourself, or use an un-authorized servicer; BSH will have no responsibility or liability for repairs or work performed by a non-authorized servicer. If you choose to have someone other than an authorized service provider work on your Product, THIS WARRANTY WILL AUTOMATICALLY BECOME NULL AND VOID. Authorized service providers are those persons or companies that have been specially trained on Thermador® products, and who possess, in the opinion of BSH, a superior reputation for customer service and technical ability (note that they are independent entities and are not agents, partners, affiliates or representatives of BSH). Notwithstanding the foregoing, BSH will not incur any liability, or have responsibility, for the Product if it is located in a remote area (more than 100 miles from an authorized service provider) or is reasonably inaccessible, hazardous, threatening, or treacherous locale, surroundings, or environment; in any such event, if you request, BSH would still pay for labor and parts and ship the parts to the nearest authorized service provider, but you would still be fully liable and responsible for any travel time or other special charges by the service company, assuming they agree to make the service call.

**Out of Warranty Product:** BSH is under no obligation, at law or otherwise, to provide you with any concessions, including repairs, pro-rates, or Product replacement, once this warranty has expired.

**Warranty Exclusions:** The warranty coverage described herein excludes all defects or damage that are not the direct fault of BSH, including without limitation, one or more of the following: (1) use of the Product in anything other than its normal, customary and intended manner (including without limitation, any form of commercial use, use or storage of an indoor product outdoors, use of the Product in conjunction with air or water-going vessels); (2) any party's willful misconduct, negligence, misuse, abuse, accidents, neglect, improper operation, failure to maintain, improper or negligent installation, tampering, failure to follow operating instructions, mishandling, unauthorized service (including self-performed "fixing" or exploration of the appliance's internal workings); (3) adjustment, alteration or modification of any kind; (4) a failure to comply with any applicable state, local, city, or county electrical, plumbing and/or building codes, regulations, or laws, including failure to install the product in strict conformity with local fire and building codes and regulations; (5) ordinary wear and tear, spills of food, liquid, grease accumulations, or other substances that accumulate on, in, or around the Product; and (6) any external, elemental and/or environmental forces and factors, including without limitation, rain, wind, sand, floods, fires, mud slides, freezing temperatures, excessive moisture or extended exposure to humidity, lightning, power surges, structural failures surrounding the appliance, and acts of God. In no event shall BSH have any liability or responsibility whatsoever for damage to surrounding property, including cabinetry, floors, ceilings, and other structures or objects around the Product. Also excluded from this warranty are scratches, nicks, minor dents, and cosmetic damages on external surfaces and exposed parts; Products on which the serial numbers have been altered, defaced, or removed; service visits to teach you how to use the Product, or visits where there is nothing wrong with the Product; correction of installation problems (you are solely responsible for any structure and setting for the Product, including all electrical, plumbing or other connecting facilities, for proper foundation/flooring, and for any alterations including without limitation cabinetry, walls, floors, shelving, etc.); and resetting of breakers or fuses.

TO THE EXTENT ALLOWED BY LAW, THIS WARRANTY SETS OUT YOUR EXCLUSIVE REMEDIES WITH RESPECT TO PRODUCT, WHETHER THE CLAIM ARISES IN CONTRACT OR TORT (INCLUDING STRICT LIABILITY, OR NEGLIGENCE) OR OTHERWISE. THIS WARRANTY IS IN LIEU OF ALL OTHER WARRANTIES, WHETHER EXPRESS OR IMPLIED. ANY WARRANTY IMPLIED BY LAW, WHETHER FOR MERCHANTABILITY OR FITNESS FOR A PARTICULAR PURPOSE, OR OTHERWISE, SHALL BE EFFECTIVE ONLY FOR THE PERIOD THAT THIS EXPRESS LIMITED WARRANTY IS EFFECTIVE. IN NO EVENT WILL THE MANUFACTURER BE LIABLE FOR CONSEQUENTIAL, SPECIAL, INCIDENTAL, INDIRECT, "BUSINESS LOSS", AND/OR PUNITIVE DAMAGES, LOSSES, OR EXPENSES, INCLUDING WITHOUT LIMITATION TIME AWAY FROM WORK, HOTELS AND/OR RESTAURANT MEALS, REMODELLING EXPENSES IN EXCESS OF DIRECT DAMAGES WHICH ARE DEFINITELY CAUSED EXCLUSIVELY BY BSH, OR OTHERWISE. SOME STATES DO NOT ALLOW THE EXCLUSION OR LIMITATION OF INCIDENTAL OR CONSEQUENTIAL DAMAGES, AND SOME STATES DO NOT ALLOW LIMITATIONS ON HOW LONG AN IMPLIED WARRANTY LASTS, SO THE ABOVE LIMITATIONS MAY NOT APPLY TO YOU. THIS WARRANTY GIVES YOU SPECIFIC LEGAL RIGHTS, AND YOU MAY ALSO HAVE OTHER RIGHTS WHICH VARY FROM STATE TO STATE. No attempt to alter, modify or amend this warranty shall be effective unless authorized in writing by an officer of BSH.

**How to Obtain Warranty Service:** To obtain warranty service for your product, you should contact the nearest BSH authorized service center, or call 1-800-735-4328.

**Thermador**   
REAL INNOVATIONS FOR REAL COOKS.

9000817362 Rev A (9302)

1-800-735-4328 • [www.thermador.com](http://www.thermador.com)  
© 2013 BSH Home Appliances Corporation