



DRYERS

SAFETY INSTRUCTIONS.....4

USING THE DRYER

Controls 6

Getting Started 7

Loading 11

Features.....12

CARE AND CLEANING13

INSTALLATION INSTRUCTIONS14

Reversing the door swing..... 33

Stacking.....38

TROUBLESHOOTING TIPS..... 42

CONSUMER SUPPORT

Warranty 46

Consumer Support..... 48

OWNER'S MANUAL & INSTALLATION INSTRUCTIONS

- GFD49
- GFD48
- GFDR485
- GFDR480
- GHDS365
- GHDS360
- GFDR275
- GFDR270
- GFDS265
- GFDS260

ENGLISH/FRANÇAIS/ESPAÑOL

Write the model and serial numbers here:

Model # _____

Serial # _____

They are on the label on the front of the dryer behind the door.

THANK YOU FOR MAKING GE APPLIANCES A PART OF YOUR HOME.

Whether you grew up with GE Appliances, or this is your first, we're happy to have you in the family.

We take pride in the craftsmanship, innovation and design that goes into every GE Appliances product, and we think you will too. Among other things, registration of your appliance ensures that we can deliver important product information and warranty details when you need them.

Register your GE appliance now online. Helpful websites and phone numbers are available in the Consumer Support section of this Owner's Manual. You may also mail in the pre-printed registration card included in the packing material.



Notes.

IMPORTANT SAFETY INFORMATION. READ ALL INSTRUCTIONS BEFORE USING.

IMPORTANT SAFETY INSTRUCTIONS



WARNING

To reduce the risk of fire, explosion, electric shock, or injury to persons when using your appliance, follow basic precautions, including the following:

- Read all instructions before using the appliance.
- **DO NOT** dry articles that have been previously cleaned in, washed in, soaked in, or spotted with gasoline, dry-cleaning solvents, or other flammable or explosive substances, as they give off vapors that could ignite or explode.
- **DO NOT** place items exposed to cooking oils in your dryer. Items contaminated with cooking oils may contribute to a chemical reaction that could cause a load to catch fire. To reduce the risk of fire due to contaminated loads, the final part of the tumble dryer cycle occurs without heat (cool down period). Avoid stopping a tumble dryer before the end of the drying cycle unless all items are quickly removed and spread out so that the heat is dissipated.
- **DO NOT** allow children to play on or in this appliance. Close supervision of children is necessary when this appliance is used near children.
- Before the appliance is removed from service or discarded, remove the door to the drying compartment.
- **DO NOT** reach into the appliance if the drum is moving.
- **DO NOT** install or store this appliance where it will be exposed to the weather.
- **DO NOT** tamper with controls.
- **DO NOT** repair or replace any part of this appliance or attempt any servicing unless specifically recommended in the user-maintenance instructions or in published user-repair instructions that you understand and have the skills to carry out.
- **DO NOT** use fabric softeners or products to eliminate static unless recommended by the manufacturer of the fabric softener or product.
- **DO NOT** dry articles containing foam rubber or similarly textured rubber-like materials.
- Clean lint screen before or after each load.
- **DO NOT** operate the dryer without the lint filter in place.
- **DO NOT** store combustible materials, gasoline or other flammable liquids near the dryer. Keep area around the exhaust opening and adjacent surrounding areas free from the accumulation of lint, dust and dirt.
- The interior of the appliance and exhaust duct should be cleaned periodically by qualified service personnel.
- Unplug the appliance or turn off the circuit breaker before servicing. Pressing the **Power** or **Start/Pause** button **DOES NOT** disconnect power.
- **DO NOT** operate this appliance if it is damaged, malfunctioning, partially disassembled, or has missing or broken parts, including a damaged cord or plug.
- **DO NOT** spray any type of aerosol into, on or near dryer at any time. **DO NOT** use any type of spray cleaner when cleaning dryer interior. Hazardous fumes or electrical shock could occur.
- See "ELECTRICAL CONNECTION" located in the Installation Instructions for grounding instructions.

SAVE THESE INSTRUCTIONS


ADDITIONAL GAS DRYER WARNINGS

WARNING - Fire or Explosion Hazard

Failure to follow safety warnings exactly could result in serious injury, death, or property damage.

- DO NOT store or use gasoline or other flammable vapors and liquids in the vicinity of this or any other appliance.
- WHAT TO DO IF YOU SMELL GAS:
 - DO NOT try to light any appliance.
 - DO NOT touch any electrical switch; DO NOT use any phone in your building.
 - Clear the room, building, or area of any occupants.
 - Immediately call your gas supplier from a neighbor's phone. Follow the gas supplier's instructions.
 - If you cannot reach your gas supplier, call the fire department.
- Installation and service must be performed by a qualified installer, service agency, or the gas supplier.

State of California Proposition 65 Warnings

 **WARNING** This product contains one or more chemicals known to the State of California to cause cancer, and birth defects or other reproductive harm.

Gas appliances can cause low-level exposure to some of these substances, including benzene, carbon monoxide, formaldehyde, and soot, caused primarily by the incomplete combustion of natural gas or LP fuels. Exposure to these substances can be minimized by properly venting the dryer to the outdoors.

SAVE THESE INSTRUCTIONS

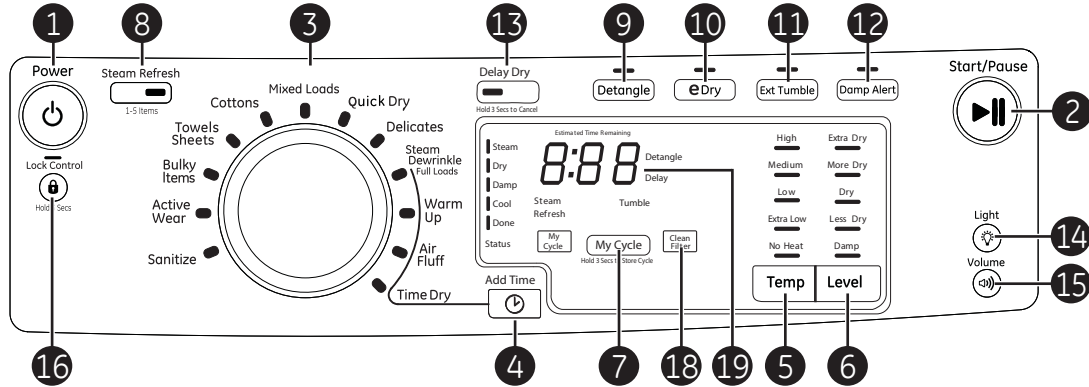
About the dryer control panel.



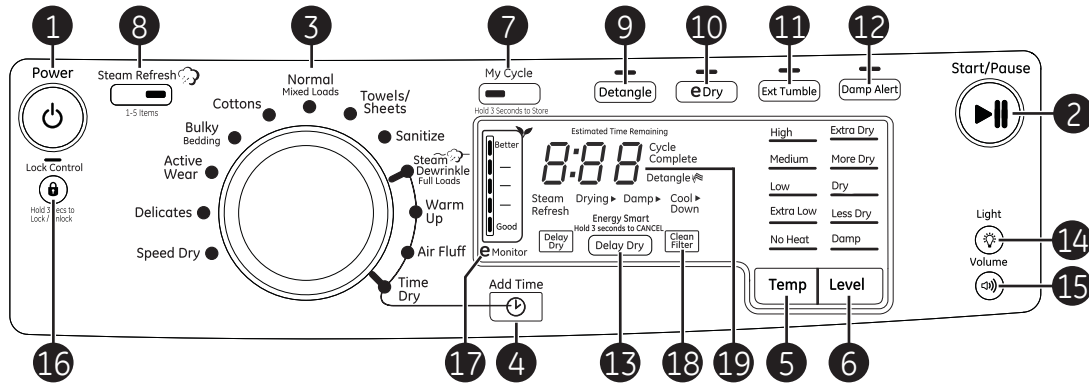
WARNING To reduce the risk of fire, electric shock, or injury to persons, read the IMPORTANT SAFETY INSTRUCTIONS before operating this appliance.

Throughout this manual, features and appearance may vary from your model.

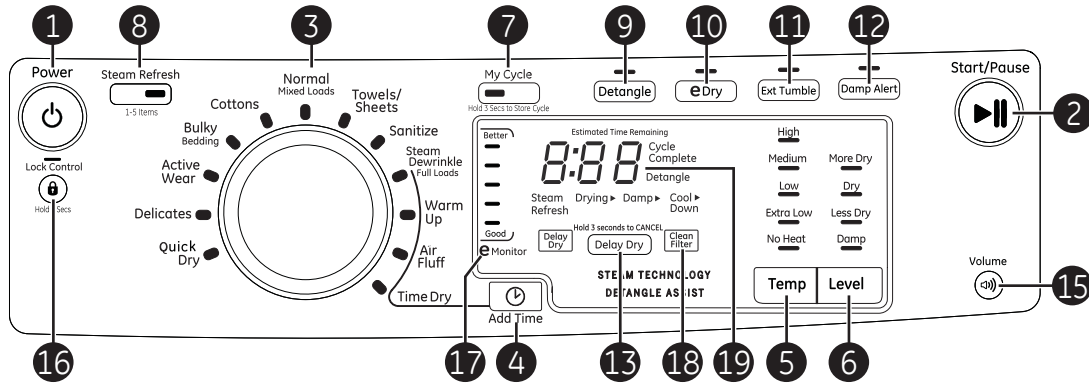
Models:
GFDR49
GFDR48



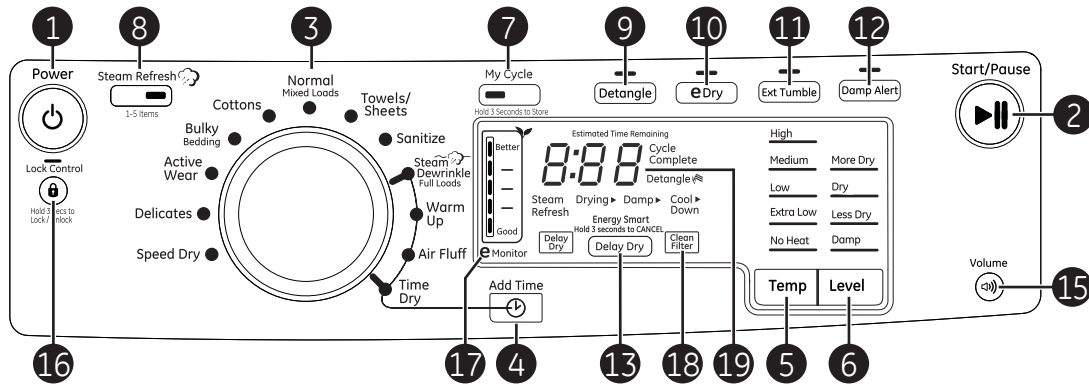
Models:
GFDR485
GFDR480
GHDS365
GHDS360



Models:
GFDR275
GFDR270



Models:
GFDS265
GFDS260



Control settings.

Getting Started

1 Press the **Power** button.

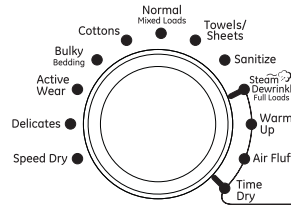
If the screen is dark, a press of the **Power** button will “wake up” the display.



3 Press the **Start/Pause** button.



2 Select a dry cycle. (Defaults are set for each cycle. These default settings can be changed. See **Control settings** for more information.)



1 Power

Press to “wake up” the display. If the display is active, press to turn the dryer off.

NOTE: Pressing **Power** does not disconnect the appliance from the power supply.

2 Start/Pause

Start/Pause

Press to start a dry cycle. If the dryer is running, press it once and it will pause the dryer. Press it again to resume the dry cycle.

3 Dry Cycles

The dry cycle controls the length and tumble speed of the drying process. The chart below will help you match the dry setting with the loads.

Normal/Mixed Loads	For loads consisting of cottons and poly-blends.
Cottons	For cottons and most linens. NOTE: Energy Star® models are tested on Cottons with default settings.
Bulky/Bedding or Bulky Items	For large coats, bed spreads, mattress covers, sleeping bags, blankets, comforters, jackets, small rugs, and similar large and bulky items.
Active Wear	Clothing worn for active sports exercise and some casual wear. Fabrics include new technology finishes and stretch fibers such as Spandex. Also for clothing labeled Easy Care or Perma Press: For wrinkle-free and permanent press items.
Delicates	For lingerie and special-care fabrics.
Speed Dry or Quick Dry	For small loads that are needed in a hurry, such as sports or school uniforms. Can also be used if the previous cycle left some items damp, such as collars or waistbands.
Towels/Sheets	Use for towels OR sheets. It is not recommended to mix towels and sheets in the same load.
Sanitize	Reduces certain types of bacteria by 99.8%, including: Staphylococcus aureus, Pseudomonas aeruginosa, and Klebsiella pneumoniae. The antibacterial process occurs when high heat is used during a portion of this drying cycle.
Steam Dewrinkle Full Loads	Provides 20 minutes of steam drying to assist with dewrinkling clothes. Ideal for loads left in dryer for an extended time.
Warm Up	Provides 10 minutes of warming time to warm up clothes.
Air Fluff	Provides 10 minutes of tumbling time without heat.
Time Dry	Use to set your own dry time. Time Dry is also recommended for small loads. To use: 1. Turn dry cycle dial to Time Dry . 2. Increase the drying time by pressing the Add Time button. Note: This button only increases the time. When max time is reached, pressing the button again will reset the counter to the lowest setting. 3. Select the Temp . 4. Close the door. 5. Press Start/Pause .

Control settings.

4 Add Time 

Add Time
Press to add time to the **Steam Dewrinkle**, **Warm Up**, **Air Fluff** or **Time Dry** cycles in 10 minute increments.

5 Temp 

Temp
You can change the temperature of your dry cycle.


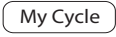
High	For regular to heavy cottons.
Medium	For synthetics, blends and items labeled Permanent Press.
Low	For delicates, synthetics and items labeled Tumble Dry Low.
Extra Low	For lingerie and special-care fabrics.
No Heat	This option may only be used with Air Fluff , in which items are tumbled without heat.

6 Level 

Level
The sensor continuously monitors the amount of moisture in the load. When the moisture in your clothes reaches your selected dry level, the dryer will stop.

NOTE: Sensor dry **Level** only works with **Cottons**, **Normal**, **Active Wear**, **Delicates**, **Speed Dry**, **Bulky**, **Towels/Sheets**, **Sanitize** and **Steam Dewrinkle** cycles.

Extra Dry <small>(on some models)</small>	Use for heavy-duty fabrics or items that should be very dry, such as towels.
More Dry	Use for heavy or mixed type of fabrics.
Dry	Use for normal dryness level suitable for most loads. This is the preferred cycle for energy saving.
Less Dry	Use for lighter fabric (ideal for ironing).
Damp	For leaving items partially damp.

7 My Cycle 
Hold 3 Seconds to Store

Hold 3 Secs to Store Cycle
(Depending on model)

My Cycle
Set up your favorite combination of settings and save them here for one touch recall. These custom settings can be set while a cycle is in progress.

To store a My Cycle combination of settings:

1. Select your drying cycle.
2. Change **Temp** and **Level** settings to fit your needs.

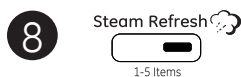
3. Select any drying options you want.
4. Press and hold the **My Cycle** button for 3 seconds to store your selection. A beep will sound and the button will light up.

To recall your stored My Cycle combination:

Press the **MY CYCLE** button before drying a load.

To change your stored My Cycle combination:

Repeat steps 1–4.



Steam Refresh Cycle

For slightly wrinkled dry garments. Significantly reduces wrinkles on up to 5 garments. After the **Steam Refresh** Cycle, the unit will beep and display "0:00." If the unit is not turned off or if the door is not opened, the dryer will continue to tumble for 30 minutes. At the end of 30 minutes, it will display "0:00" and the cycle will be complete.

NOTE: A single extremely light fabric item may need to have an additional item included to achieve optimum results.



Detangle (on some models)

Activates alternating forward and reverse tumbling to reduce tangling, dry more evenly, and improve drying times. Typical loads such as bed and bath mixed loads, where sheets, towels and pillow cases are laundered together, benefit from this capability. When the dryer reverses direction, there will be a slight pause and sound change. This is normal.

NOTE: **Detangle** is selected by default for **Towels/Sheets** and **Bulky/Bedding** cycles.



eDry

Reduces the total energy consumption of specific dryer cycles by adjusting certain heat settings.

NOTE: **Cycle times will change when e-Dry is selected.**

This cycle can be used with **Cottons, Normal, Active Wear, Delicates, Speed Dry, Bulky, Towels-Sheets, Sanitize** and **Steam Dewrinkle**.



Extended Tumble

Minimizes wrinkles by adding approximately 60 minutes of no-heat tumbling after clothes are dry. The beeper will sound every five minutes as a reminder to remove the clothes.

The estimated time remaining display will show "0:00".

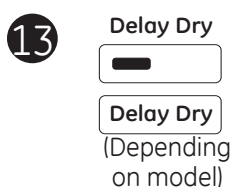
The extended tumble time does not get added to the cycle time on the display.



Damp Alert

This option causes the dryer to beep when clothes have dried to a damp level. Remove items that you wish to hang dry. The **Damp Alert** will only beep when this option is selected, and the dryer will continue to dry.

Removing clothes and hanging them when they are damp can reduce the need to iron some items.






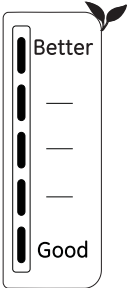


Delay Dry

Use to delay the start of your dryer.

1. Choose your dry cycle and any options.
2. Press **Delay Dry**. You can change the delay time in 1 hour increments, using the **Delay Dry** button.
3. Press the **Start/Pause** button to start the countdown.

NOTE: If the door is opened while the dryer is in **Delay Dry**, the countdown time will not restart unless the door is closed and **Start/Pause** button has been pressed again.

Control settings.

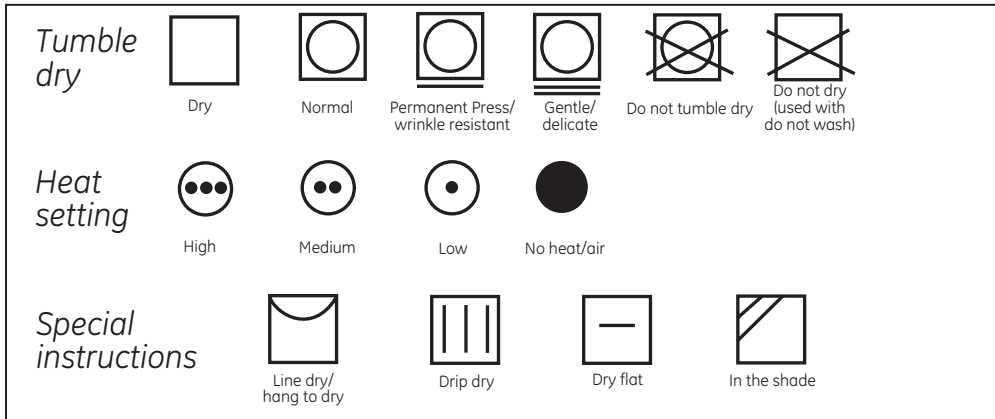
-
- 14** **Light** *Light (on some models)*
- 
- Press the button to turn on the light in the dryer.
Press the button again to turn the light off.
- This only controls the light when the door is shut.
NOTE: The light will turn off by itself after one minute when the door is shut.
-
- 15** **Volume** *Volume*
- 
- This button has two functions:
- To change the loudness of the end of cycle signal, press the button as many times as needed to reach the desired volume. There are four sound levels including OFF.
 - To turn the button sounds ON/OFF, press and hold the button for 3 seconds (on some models).
-
- 16** **Lock Control** *Lock Control*
- 
Hold 3 Secs to Lock / Unlock
- You can lock the controls to prevent any selections from being made. Or you can lock or unlock the controls after you have started a cycle.
- Children cannot accidentally start the dryer by touching buttons with this option selected.
- To lock the dryer, press and hold the **Lock Control** button for 3 seconds.
- To unlock the dryer controls, press and hold the **Lock Control** button for 3 seconds.
- A sound is made to indicate the lock/unlock status.
- The indicator light above the button will illuminate when the controls are locked.
- NOTE: The Power button can still be used when the machine is locked.**
-
- 17** **eMonitor** *eMonitor (on some models)*
- 
- The **eMonitor** lights display the relative energy use of your selected cycle and options. They are provided as an energy guide and range from Good (1 light) to Better (5 lights). Cycle (time), dryness level, temperature, and additional tumble options can increase or decrease your energy efficiency. Some cycles will not provide a display.
- eMonitor**
-
- 18** **Clean Filter** *Clean Filter Message*
- 
- This message represents only a reminder and does **not** always appear when the filter needs cleaning. The filter should be cleaned after every drying cycle is complete.
- This message will disappear after the **Start/Pause** button is pressed. Even though you may have already cleaned the filter (before or after the **Power** button has been pressed), the “**Clean Filter**” message will still be displayed until the **Start/Pause** button is activated.
-
- 19** **Display**
- 
- Displays the approximate time remaining until the end of the cycle.
- As the cycle begins, you will see an initial approximate total cycle time in the display.
- Then lights will “race” in the display. This means the dryer is continuously monitoring the amount of moisture in the load. The lights will continue until the dryer senses a low level of moisture in the load. At that point, the dryer will calculate and display the approximate time remaining.

Always follow the fabric manufacturer's care label when laundering.

Fabric Care Labels

Below are fabric care label "symbols" that affect the clothing you will be laundering.

Dry Labels



Sorting and Loading Hints

WARNING - Fire Hazard

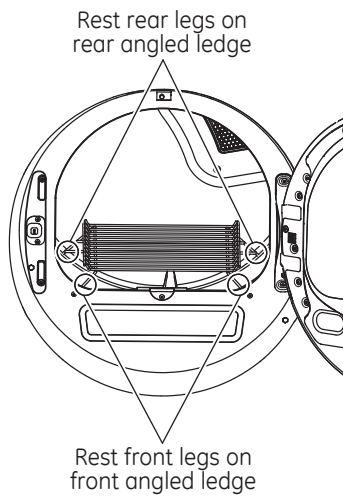
- Keep flammable materials and vapors, such as gasoline, away from dryer.
- **DO NOT** dry anything that has ever had anything flammable on it (even after washing).
- No washer can completely remove oil.
- **DO NOT** dry anything that has ever had any type of oil on it (including cooking oils).
- Items containing foam, rubber, or plastic must be dried on a clothesline.
- Failure to do so can result in death, explosion, or fire.

As a general rule, if clothes are sorted properly for the washer, they are sorted properly for the dryer. Try also to sort items according to size. For example, do not dry a sheet with socks or other small items.

Do not add fabric softener sheets once the load has become warm. They may cause fabric softener stains. Bounce® Fabric Conditioner Dryer Sheets have been approved for use in this dryer when used in accordance with the manufacturer's instructions.

Do not overload. This wastes energy and causes wrinkling.

About dryer features.



Drying Rack (on some models)

A handy drying rack may be used for drying delicate items such as washable sweaters. Place items flat on the drying rack and block such items as wool sweaters and delicate fabrics. Dry with low heat.

To install the drying rack, extend the drying rack into the dryer drum. Rest the front two legs on the front angled ledge and then rest the rear two legs on the rear angled edge.

NOTES:

- The drying rack is designed for use with the **Time Dry** cycles. Use with sensor cycles may result in damp items or extended cycle times.
- Do not use this drying rack when there are other clothes in the dryer, that are not placed on the rack.
- The drying rack, WE01X22274, is available as an accessory. Order on-line at **GEApplianceParts.com**, 24 hours a day or by phone at **877.959.8688** during normal business hours.

The Exterior: Wipe or dust any spills or washing compounds with a damp cloth. Dryer control panel and finishes may be damaged by some laundry pretreatment soil and stain remover products. Apply these products away from the dryer. The fabric may then be washed and dried normally. Damage to your dryer caused by these products is not covered by your warranty.

The Lint Filter: Clean the lint filter before each use.

Pull out the lint filter. Moisten your fingers and remove the captured lint. Once clean, slide the filter back into position. Have a qualified technician vacuum the lint from the dryer once a year.

NEVER OPERATE THE DRYER WITHOUT ITS FILTER IN PLACE.

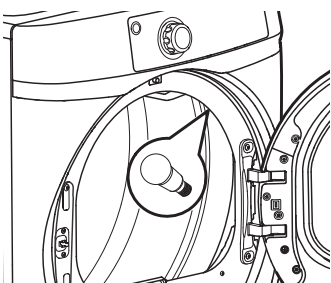
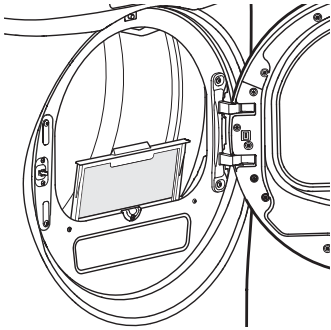
Stainless Steel: To clean stainless steel surfaces use a damp cloth with a mild, non-abrasive cleaner suitable for stainless steel surfaces. Remove the cleaner residue and then dry with a clean cloth.

The stainless steel used to make the dryer drum provides the highest reliability available in a GE Appliances dryer. If the dryer drum should be scratched or dented during normal use, the drum will not rust or corrode. These surface blemishes will not affect the function or durability of the drum.

Dryer Interior and Duct: The interior of the appliance and exhaust duct should be cleaned once a year by qualified service personnel.

The Exhaust Duct: Inspect and clean the exhaust ducting at least once a year to prevent clogging. A partially clogged exhaust can lengthen the drying time.

The Exhaust Hood: Check with a mirror that the inside flaps of the hood move freely when operating. Make sure that there is no wildlife (birds, insects, etc.) nesting inside the duct or hood.



Drum Lamp

(consumer replaceable on some models)

NOTE: The drum lamp is *not* consumer replaceable on models where there is a domed cover over an LED bulb. If this light should ever stop working, call for service.

For models that have a flat cover over the bulb secured by a screw:

Before replacing the light bulb, be sure to unplug the dryer power cord or disconnect the dryer at the household distribution panel by removing the fuse or switching off the circuit breaker. Reach above dryer opening from inside the drum to locate the light.

Remove the screw and the plastic cover to access the bulb. Replace with the appropriate bulb and then reattach the cover and screw.

Order replacement bulb **WE4M305** on-line at **GEApplianceParts.com**, by phone at **877.959.8688** during normal business hours, or purchase appliance bulb **7C7** from your local retailer.

The drum lamp turns on automatically when the dryer door is open. On some models, it can also be activated from the control panel.

Installation Instructions

Dryers

Questions? Call GE Appliances at 800.GE.CARES (800.432.2737) or visit our Web site at: GEAppliances.com
In Canada, call 1.800.561.3344 or visit www.GEAppliances.ca

BEFORE YOU BEGIN

Read these instructions completely and carefully.

- **IMPORTANT** – Save these instructions for local electrical inspector's use.
- **IMPORTANT** – Observe all governing codes and ordinances.
- Install the clothes dryer according to the manufacturer's instructions and local codes.
- **Note to Installer** – Be sure to leave these instructions with the Consumer.
- **Note to Consumer** – Keep these instructions for future reference.
- Clothes dryer installation must be performed by a qualified installer.
- This dryer **must** be exhausted to the outdoors.
- Before the old dryer is removed from service or discarded, remove the dryer door.
- Service information and the wiring diagram are located in the control console.
- Do not allow children on or in the appliance. Close supervision of children is necessary when the appliance is used near children.
- Proper installation is the responsibility of the installer.
- Product failure due to improper installation is not covered under the Warranty.
- Install the dryer where the temperature is above 50°F for satisfactory operation of the dryer control system.
- Remove and discard existing plastic or metal foil duct and replace with UL-listed duct.

WARNING - Fire Hazard

- Clothes dryer installation must be performed by a qualified installer.
- Install the clothes dryer according to these instructions and local codes.
- **DO NOT** install a clothes dryer with flexible plastic venting materials. If flexible metal (semi-rigid or foil-type) duct is installed, it must be UL-listed and installed in accordance with the instructions found in "Connecting the Dryer to House Vent" later in this manual. Flexible venting materials are known to collapse, be easily crushed and trap lint. These conditions will obstruct dryer airflow and increase the risk of fire.
- **DO NOT** install or store this appliance in any location where it could be exposed to water or weather.
- To reduce the risk of severe injury or death, follow all installation instructions.
- Save these instructions. (Installers: Be sure to leave these instructions with the customer.)

FOR GAS DRYERS ONLY

IN THE COMMONWEALTH OF MASSACHUSETTS, THE FOLLOWING INSTALLATION INSTRUCTIONS APPLY:

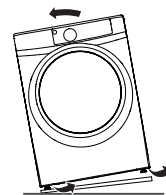
- Installation must be performed by a qualified or licensed contractor, plumber, or gasfitter qualified or licensed by the State.
- If using a ball valve, it shall be a T-handle type.
- A flexible gas connector, when used, must not exceed 3 feet.

Installation Instructions

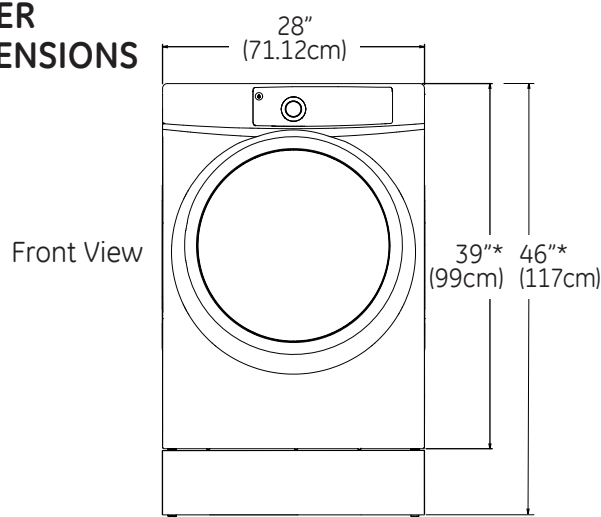
UNPACKING YOUR DRYER

Tilt the dryer sideways and remove the foam shipping pads by pulling at the sides and breaking them away from the dryer legs. Be sure to remove all of the foam pieces around the legs.

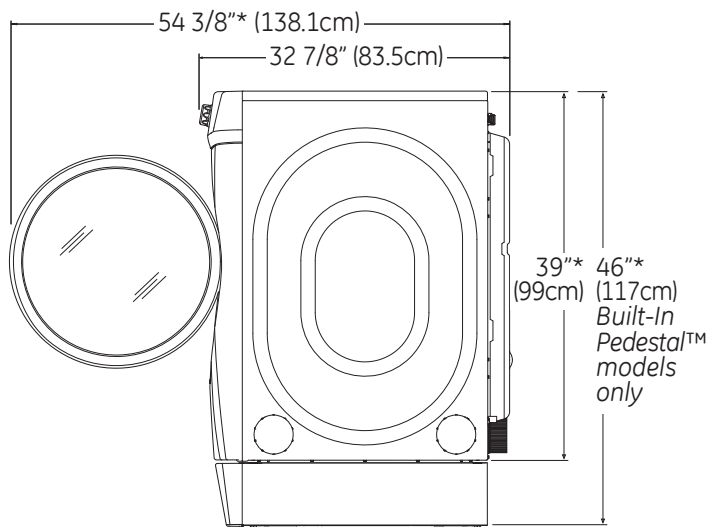
Remove the bag containing the literature.



DRYER DIMENSIONS



Front View



Side View

***NOTE:**

- With Legs: 40 1/2" (102.5 cm) - (3/4" (1.9 cm) adjustability)
- With Built-In Pedestal™: 46" (117 cm) - (3/4" (1.9 cm) adjustability)
- With Optional Pedestal (GFXP1308): 52" (132.1 cm) - (3/4" (1.9 cm) adjustability)
- Stacked: 78 1/4" (198.8 cm) - Not applicable for models with Built-In Pedestal™

39"* 46"*
(99cm) (117cm)
Built-In Pedestal™
models only

STEAM WATER HOSES

GE Appliances strongly recommends the use of factory specified parts. These hoses are manufactured and tested to meet GE Appliances specifications.

GE Appliances strongly recommends the use of new water supply hoses. Hoses degrade over time and need to be replaced every 5 years to reduce the risk of hose failures and water damage.

Parts and Accessories

Order on-line at GEApplianceParts.com, 24 hours a day or by phone at **877.959.8688** during normal business hours.

Part Number	Accessory
WE25X20060	Complete Kit (hoses, Y-adaptor washers)
OR	
WH41X10356	Long Hose and
WH41X10357	Short Hose

POWER CORDS:

GE Appliances strongly recommends the use of factory specified parts. Select the power cord to fit your installation requirements.

Part Number	Type	Length	Amperage
WX9X2	3-Prong	4 Feet	30
WX9X3	3-Prong	5 Feet	30
WX9X4	3-Prong	6 Feet	30
WX9X18	4-Prong	4 Feet	30
WX9X19	4-Prong	5 Feet	30
WX9X20	4-Prong	6 Feet	30

ACCESSORIES:

Order on-line at GEApplianceParts.com, 24 hours a day or by phone at **877.959.8688** during normal business hours.

Part Number	Accessory
GFP1328SK	28" width White Pedestal
GFP1328PK	28" width Color Matched Pedestal
GEFLSTACK	Stacking Kit for Dryer over Washer
PM08X10085	Flexible Metal Dryer Transition Duct
WE01X22274	Clothes Dryer Shoe Rack

Installation Instructions

REQUIREMENTS FOR ALCOVE OR CLOSET INSTALLATION

WARNING - Explosion Hazard

Keep flammable materials and vapors, such as gasoline, away from dryer.

Place dryer at least 18" (46 cm) above the floor for a garage installation.

Failure to do so can result in death, explosion, or fire.

- The dryer **MUST** be vented to the outdoors.
- Minimum clearance between dryer cabinet and adjacent walls or other surfaces is:
 - 0" either side
 - 1" front and rear
 - 1" top
- Consideration must be given to provide adequate clearance for installation and service.
- Closet doors must be louvered or otherwise ventilated and have at least 60 square inches of open area. If the closet contains both a washer and a dryer, doors must contain a minimum of 120 square inches of open area.

NOTE: WHEN THE EXHAUST DUCT IS LOCATED AT THE REAR OF THE DRYER, THE CONFIGURATION OF THE DUCTING MAY REQUIRE GREATER THAN 3" OF REAR CLEARANCE.

Gas Dryers Only:

- No other fuel burning appliance shall be installed in the same closet as a gas dryer.
- The dryer must be disconnected from the gas supply piping during pressure testing at pressures greater than ½ psi (3.5 kPa).
- A 1/8 inch NPT minimum plugged tapping, accessible for test gauge connection, must be installed immediately upstream of the gas supply connection to the dryer.

MINIMUM CLEARANCE OTHER THAN ALCOVE OR CLOSET INSTALLATION

Minimum clearance to combustable surfaces and for air opening are: 0" both sides, 1" rear and 1" top. Consideration must be given to provide adequate clearance for installation and service.

MOBILE OR MANUFACTURED HOME INSTALLATION

- Installation **MUST** conform to the MANUFACTURED HOME CONSTRUCTION AND SAFETY STANDARD, TITLE 24, PART 3280 or STANDARD FOR MOBILE HOMES CAN/CSA-Z240 MH, or, when such standards are not applicable, with AMERICAN NATIONAL STANDARD FOR MOBILE HOME, ANSI/NFPA NO. 501B.
- The dryer **MUST** be vented to the outdoors.
- The exhaust vent **MUST** be securely fastened to a non-combustible portion of the mobile home.
- The vent **MUST NOT** be terminated beneath a mobile or manufactured home.
- The vent duct material **MUST BE METAL**.
- KIT 14-D346-33 **MUST** be used to attach the dryer securely to the structure.
- The vent **MUST NOT** be connected to any other duct, vent or chimney.
- **DO NOT** use sheet metal screws or other fastening devices which extend into the interior of the exhaust vent.
- Provide an opening with a free area of at least 25 square inches for introduction of outside air into the dryer room.
- See the sections for electrical connection information.

Installation Instructions

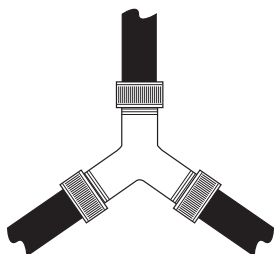
CONNECTING INLET HOSES

CONNECTING INLET HOSES

To produce steam, the dryer must connect to the cold water supply. Since the washer must also connect to the cold water, a "Y" connector is inserted to allow both inlet hoses to make that connection at the same time.

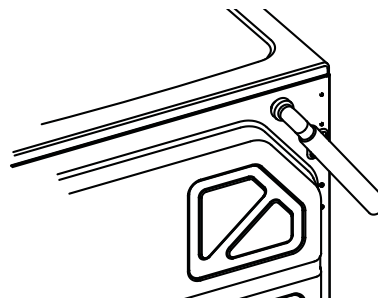
NOTE: Use new inlet hoses; never use old hoses.

1. Turn the cold water faucet off. Remove the washer inlet hose from the washer fill valve connector (cold).
2. Ensure the rubber flat washer is in place and attach one female coupling of the short hose provided onto the washer fill valve connector. Tighten by hand until firmly seated.
3. Attach one male end of the "Y" connector to the other female coupling of the short hose. Ensure the rubber flat washer is in place. Tighten by hand until firmly seated.



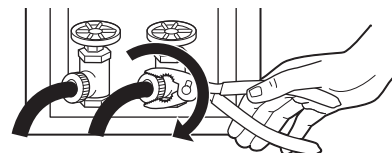
4. Insert the filter screen in the coupling of the **washer's** inlet hose. If a rubber flat washer is already in place remove it before installing the filter screen. Attach this coupling to one male end of the "Y" connector. Tighten by hand until firmly seated.
5. Ensure the rubber flat washer is in place and attach a 4 ft. to 6 ft. long water inlet hose (may need to be purchased separately) to one male end of the "Y" connector. Tighten by hand until firmly seated.
6. Ensure the rubber flat washer is in place and attach the other end of the **dryer's** long inlet hose to the fill valve connector at the bottom of the dryer back panel. Tighten by hand until firmly seated.

CONNECTING INLET HOSES (cont.)



7. Using pliers, tighten all the couplings with an additional two-thirds turn.

NOTE: Do not overtighten. Damage to the couplings may result.



8. Turn the water faucet on.
9. Check for leaks around the "Y" connector, faucet and hose couplings.

WATER SUPPLY REQUIREMENTS

Hot and cold water faucets **MUST** be installed within 42 in. (107 cm) of your washer's water inlet. The faucets **MUST** be 3/4 in. (1.9 cm) garden hose-type so inlet hoses can be connected. Water pressure **MUST** be between 10 and 120 pounds per square inch. Your water department can advise you of your water pressure.

NOTE: A water softener is recommended to reduce buildup of scale inside the steam generator if the home water supply is very hard.

Installation Instructions

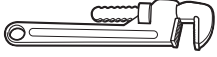
CONNECTING A GAS DRYER (skip for electric dryers)

TOOLS YOU WILL NEED

- 10" Adjustable wrenches (2)



- 8" Pipe wrench



- Slip-joint pliers



- Flat-blade screwdriver



- Level



MATERIALS YOU WILL NEED

- 4" dia. metal elbow



- Pipe compound or PTFE tape



- Flexible gas line connector



- Duct clamps (2) or Spring clamps (2)



- Safety glasses



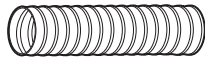
- 4" dia. metal duct (recommended)



- 4" Cover plate (Kit WE49X22606)



- 4" dia., UL-listed flexible metal duct (if needed)



- Gloves



- Soap solution for leak detection



- Exhaust hood



- Duct tape



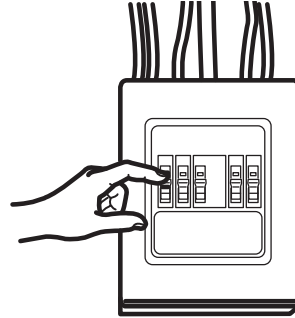
- Gas pipe adapters (2), elbow and pipe plug



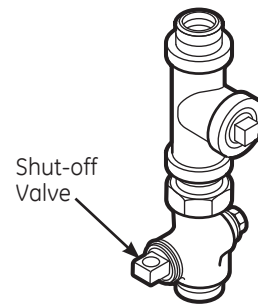
- 4'-6' Water Hose (on some models)



- Before beginning the installation, turn off the circuit breaker(s) or remove the dryer's circuit fuse(s) at the electrical box. Be sure the dryer cord is unplugged from the wall.



- Turn the dryer's gas shut-off valve in the supply line to the OFF position.



- Disconnect and discard old flexible gas connector and ducting material.



Installation Instructions

GAS REQUIREMENTS

WARNING - Explosion Hazard

- Use a new CSA International approved flexible gas supply line. Never reuse old flexible connectors.
 - Install an individual manual shut-off valve within 6ft. of the dryer in accordance with the National Fuel Gas Code, ANSI Z223.1/NFPA 54.
 - Securely tighten all gas connections.
 - If connected to LP gas, have a qualified person make sure gas pressure **DOES NOT** exceed 13" water column.
 - Examples of a qualified person include: licensed heating personnel, authorized gas company personnel, and authorized service personnel.
 - Failure to do so can result in death, explosion, or fire.
- The installation must conform with local codes, or in the absence of local codes, with the National Fuel Gas Code, ANSI Z223.1/NFPA 54, or the Natural Gas and Propane Installation Code, CSA B149.1.

GAS SUPPLY

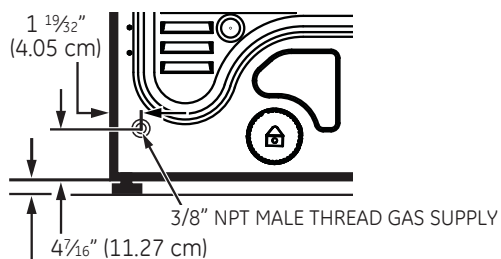
- A 1/8" National Pipe Taper thread plugged tapping, accessible for test gauge connection, must be installed immediately upstream of the gas supply connection to the dryer. Contact your local gas utility should you have questions on the installation of the plugged tapping.
- Supply line is to be 1/2" rigid pipe and equipped with an accessible shutoff within 6 feet of, and in the same room with, the dryer.
- Use pipe thread compound appropriate for natural or LP gas or use PTFE tape.
- Connect flexible metal connector to dryer and gas supply.

WARNING - Fire Hazard

FOR USE WITH NATURAL GAS ONLY

Dryer as produced by manufacturer is to be used only with a natural gas supply. A manufacturer-supplied conversion kit is required to convert this dryer for propane gas supply. Use propane gas conversion kit WE25M87. Conversion must be made by properly trained and qualified personnel in accordance with local codes and ordinances.

DRYER GAS SUPPLY CONNECTION



NOTE: Add to vertical dimension the distance between cabinet bottom to floor.

You must use with this dryer a flexible metal connector (listed connector ANSI Z21.24 / CSA 6.10). The length of the connect shall not exceed 3 ft.

ADJUSTING FOR ELEVATION

- Gas clothes dryers input ratings are based on sea level operation and need not be adjusted for operation at or below 2000 ft. elevation. For operation at elevations above 2000 ft., input ratings should be reduced at a rate of 4 percent for each 1000 ft. above sea level.
- Installation must conform to local codes and ordinances or, in their absence, the NATIONAL FUEL GAS CODE, ANSI Z223.

Installation Instructions

CONNECTING A GAS DRYER (cont.)

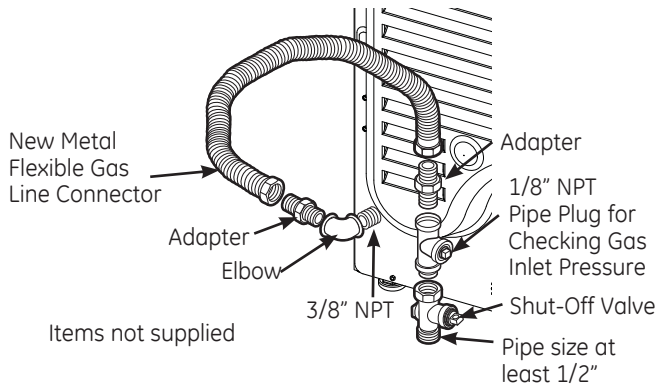
CONNECTING THE DRYER TO THE GAS SUPPLY

- A** Install a female 3/8" NPT elbow at the end of the dryer gas inlet.

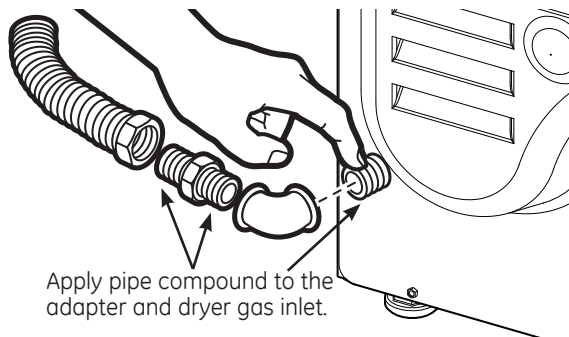
Install a 3/8" flare union adapter to the female elbow.

IMPORTANT: Use a pipe wrench to securely hold on to the end of the dryer gas inlet to prevent twisting the inlet.

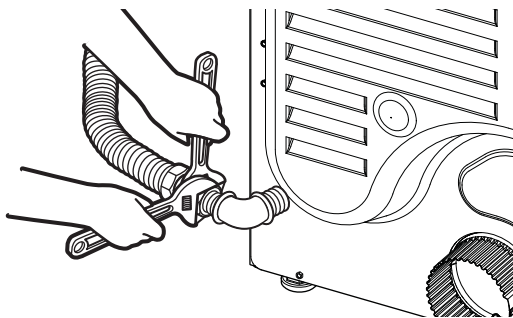
NOTE: Apply pipe compound or PTFE tape to the threads of the adapter and dryer gas inlet.



- B** Attach the flexible metal gas line connector to the adapter.



- C** Tighten the flexible gas line connection, using two adjustable wrenches.

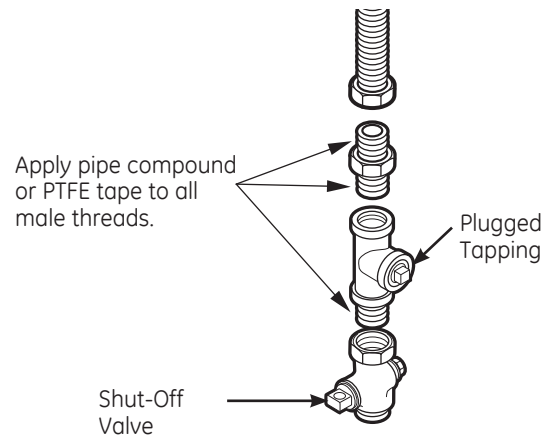


CONNECTING THE DRYER TO THE GAS SUPPLY (cont.)

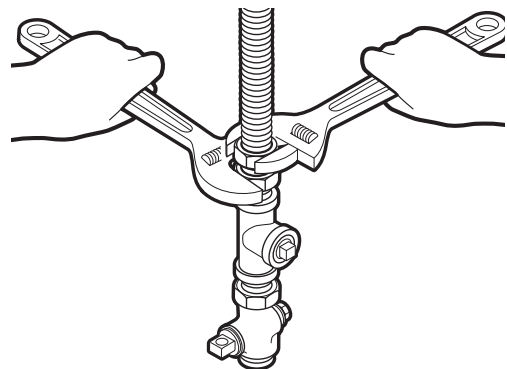
- D** Install a 1/8" NPT plugged tapping to the dryer gas line shut-off valve for checking gas inlet pressure.

Install a flare union adapter to the plugged tapping.

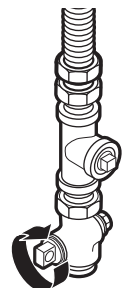
NOTE: Apply pipe compound or PTFE tape to the threads of the adapter and plugged tapping.



- E** Tighten all connections, using two adjustable wrenches. **Do not overtighten.**



- F** Open the gas shut-off valve.



Installation Instructions

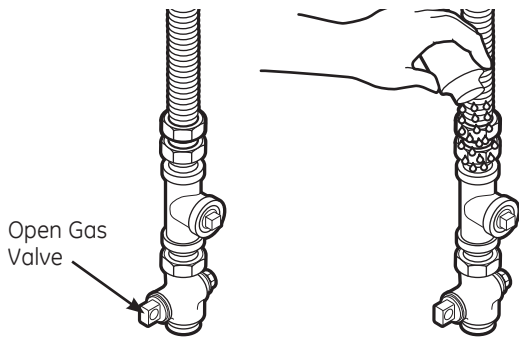
TEST FOR LEAKS

Never use an open flame to test for gas leaks.

Check all connections for leaks with soapy solution or equivalent.

Apply a soap solution. The leak test solution must not contain ammonia, which could cause damage to the brass fittings.

If leaks are found, close the valve, retighten the joint and repeat the soap test.



ELECTRICAL CONNECTION INFORMATION FOR GAS DRYERS

⚠ WARNING  - Electrical Shock Hazard

Plug into a grounded 3 prong outlet.

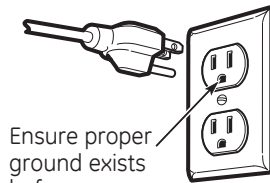
DO NOT remove ground prong.

DO NOT use an adapter.

DO NOT use an extension cord.

Failure to do so can result in death, fire or electrical shock.

- Circuit – Individual properly polarized and grounded 15 or 20 amp circuit breaker or time-delay fuse.
- Power Supply – 2-wire plus ground, 120 Volt, single phase, 60 Hz, alternating current.
- Outlet Receptacle – Properly grounded 3-prong receptacle to be located so the power cord is accessible when the dryer is in an installed position. If a 2-prong receptacle is present, it is the owner's responsibility to have a licensed electrician replace it with a properly grounded 3-prong grounding type receptacle.



ELECTRICAL CONNECTION INFORMATION FOR GAS DRYERS (cont.)

- Dryer must be electrically grounded in accordance with local codes and ordinances, or in the absence of local codes, with the latest edition of the NATIONAL ELECTRICAL CODE, ANSI/NFPA NO. 70 or CANADIAN ELECTRICAL CODE, CSA C22.1. Check with a licensed electrician if you are not sure that the dryer is properly grounded.

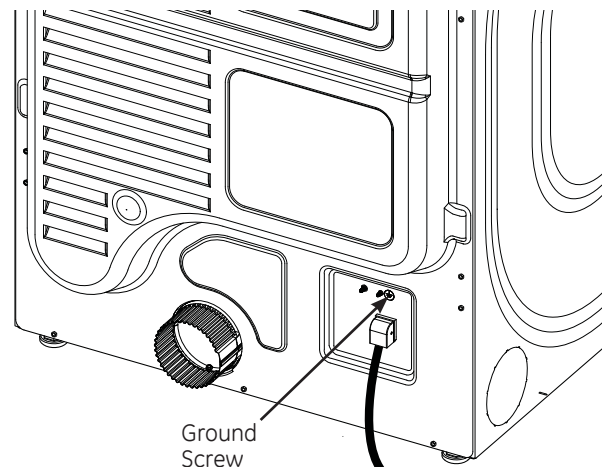
GROUNDING INSTRUCTIONS

This dryer must be grounded. In the event of a malfunction or breakdown, grounding will reduce the risk of electric shock by providing a path of least resistance for electric current. This dryer uses a cord having an equipment-grounding conductor and a grounding plug. The plug must be plugged into an appropriate outlet that is properly installed and grounded in accordance with all local codes and ordinances.

⚠ WARNING Improper connection of the equipment-grounding conductor can result in a risk of electric shock. Check with a qualified electrician, or service representative or personnel, if you are in doubt as to whether the appliance is properly grounded. **DO NOT** modify the plug on the power supply cord. If it will not fit the outlet, have a proper outlet installed by a qualified electrician.

SAVE THESE INSTRUCTIONS

- If required by local codes, an external 18 gauge or larger copper ground wire (not provided) may be added. Attach to dryer cabinet with a #8-18 x 1/2" sheet metal screw (available at any hardware store) to rear of dryer as illustrated.



Installation Instructions

CONNECTING AN ELECTRIC DRYER

(Skip for gas dryers and if your dryer already has a power cord attached)

TOOLS YOU WILL NEED

- Slip-joint pliers



- Flat-blade screwdriver



- Phillips screwdriver



- Level



MATERIALS YOU WILL NEED

- 4" dia. metal elbow



- 3/4" Strain relief (UL recognized)



- 4" Duct clamps (2) or 4" spring clamps (2)



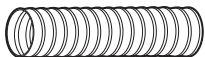
- Safety glasses



- 4" dia. metal duct (recommended)



- 4" dia., UL-listed flexible metal duct (if needed)



- Gloves



- Exhaust hood

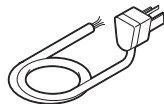


- Duct tape



- Dryer power cord kit (not provided with dryer)

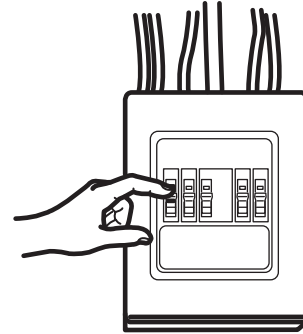
UL rated 120/240V, 30A with 3 or 4 prongs. Identify the plug type as per the house receptacle before purchasing line cord.



- 4" Cover plate (Kit WE49X22606)



Before making the electrical connection, turn off the circuit breaker(s) or remove the dryer's circuit fuse(s) at the electrical box. Be sure the dryer cord is unplugged from the wall. NEVER LEAVE THE ACCESS COVER OFF THE TERMINAL BLOCK.



Installation Instructions

ELECTRICAL CONNECTION INFORMATION FOR ELECTRIC DRYERS

For electrical connections using a power cord:

WARNING - Fire Hazard

Use a new UL-listed 240V 30 amp dryer power supply cord with closed ring terminals or spade terminals with upturned ends.

Use a UL-listed strain relief.

Disconnect power before making electrical connections.

Connect neutral wire (white or center wire) to center terminal.

Ground wire (green or bare wire) must be connected to green ground connector.

Connect remaining two supply wires to remaining two terminals.


Securely tighten all electrical connections.

Replace the terminal block cover.

Failure to do so can result in death, fire or electrical shock.

GROUNDING INSTRUCTIONS

For a grounded, cord-connected dryer: This dryer must be grounded. In the event of a malfunction or breakdown, grounding will reduce the risk of electric shock by providing a path of least resistance for electric current. This dryer uses a cord having an equipment-grounding conductor and a grounding plug. The plug must be plugged into an appropriate outlet that is properly installed and grounded in accordance with all local codes and ordinances.

 **WARNING** Improper connection of the equipment-grounding conductor can result in a risk of electric shock. Check with a qualified electrician, or service representative or personnel, if you are in doubt as to whether the appliance is properly grounded. **DO NOT** modify the plug on the power supply cord. If it will not fit the outlet, have a proper outlet installed by a qualified electrician.

SAVE THESE INSTRUCTIONS

ELECTRICAL CONNECTION INFORMATION FOR ELECTRIC DRYERS

For direct wire connections:

WARNING - Fire Hazard

Use 10 gauge copper wire.

Use a UL-listed strain relief.

Disconnect power before making electrical connections.

Connect neutral wire (white or center wire) to center terminal.

Ground wire (green or bare wire) must be connected to green ground connector.

Connect remaining two supply wires to remaining two terminals.


Securely tighten all electrical connections.

Replace the terminal block cover.

Failure to do so can result in death, fire or electrical shock.

GROUNDING INSTRUCTIONS

For a permanently connected dryer: This dryer must be connected to a grounded metal, permanent wiring system, or an equipment-grounding conductor must be run with the circuit conductors and connected to the equipment-grounding terminal on the appliance.

 **WARNING** Improper connection of the equipment-grounding conductor can result in a risk of electric shock. Check with a qualified electrician, or service representative or personnel, if you are in doubt as to whether the appliance is properly grounded.

SAVE THESE INSTRUCTIONS

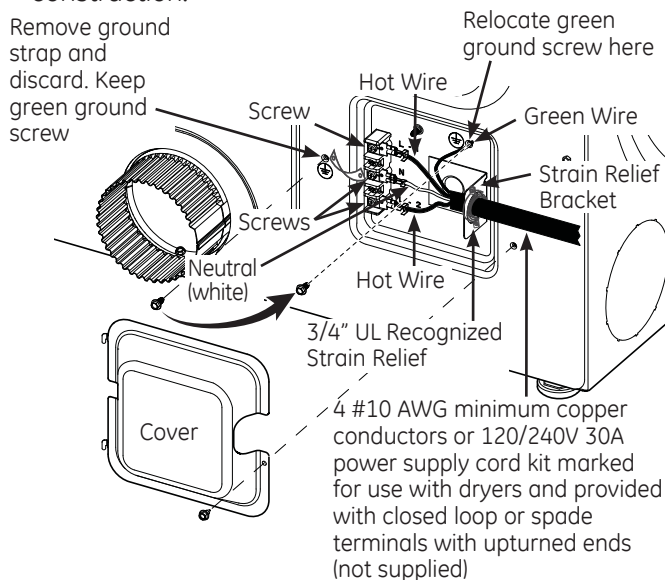
Installation Instructions

CONNECTING AN ELECTRIC DRYER (cont.)

CONNECTING DRYER USING 4-WIRE CONNECTION (MUST BE USED FOR MOBILE HOME INSTALLATION)

NOTE: Since January 1, 1996, the National Electrical Code requires that new constructions use a 4-wire connection to an electric dryer. A 4-wire cord must also be used where local codes do not permit grounding through the neutral.

3-wire connection is NOT for use on new construction.

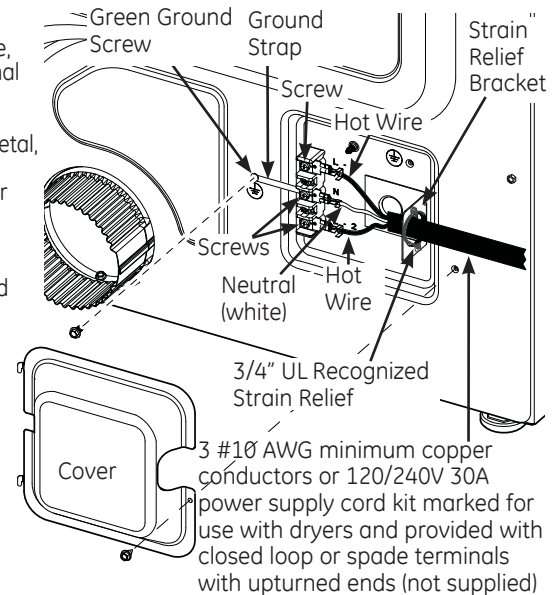


1. Turn off the circuit breaker(s) (30 amp) or remove the dryer's circuit fuse at the electrical box.
2. Be sure the dryer cord is unplugged from the wall receptacle.
3. Remove the power cord cover located at the lower back.
4. Remove and discard ground strap. Keep the green ground screw for Step 7.
5. Install 3/4 in. UL-recognized strain relief to power cord entry hole. Bring power cord through strain relief.
6. Connect power cord as follows:
 - A. Connect the 2 hot lines to the outer screws of the terminal block (marked L1 and L2).
 - B. Connect the neutral (white) line to the center of the terminal block (marked N).
7. Attach ground wire of power cord with the green ground screw (hole above strain relief bracket). Tighten all terminal block screws (3) securely.
8. Properly secure power cord to strain relief.
9. Reinstall the cover.

NEVER LEAVE THE COVER OFF OF THE TERMINAL BLOCK.

CONNECTING DRYER USING 3-WIRE CONNECTION

If required, by local code, install external ground (not provided) to grounded metal, cold water pipe, or other established ground determined by a qualified electrician.



3-wire Connection

Not for use in Canada.

DO NOT use for Mobile Home Installations.

NOT for use on new construction.

NOT for use on recreational vehicles.

NOT for use in areas where local codes prohibit grounding through the neutral conduction.

1. Turn off the circuit breaker(s) (30 amp) or remove the dryer's circuit fuse at the electrical box.
2. Be sure the dryer cord is unplugged from the wall receptacle.
3. Remove the power cord cover located at the lower back.
4. Install 3/4-in. UL-recognized strain relief to power cord entry hole. Bring power cord through strain relief.
5. Connect power cord as follows:
 - A. Connect the 2 hot lines to the outer screws of the terminal block (marked L1 and L2).
 - B. Connect the neutral (white) line to the center of the terminal block (marked N).
6. Be sure ground strap is connected to neutral (center) terminal of block and to green ground screw on cabinet rear. Tighten all terminal block screws (3) securely.
7. Properly secure power cord to strain relief.
8. Reinstall the cover.

NEVER LEAVE THE COVER OFF OF THE TERMINAL BLOCK.

Installation Instructions

EXHAUSTING THE DRYER

WARNING - Fire Hazard

This dryer **MUST** be vented to the outdoors.

Use only 4" rigid metal ducting for the home exhaust duct.

Use only 4" rigid metal or UL-listed dryer transition duct to connect the dryer to the home exhaust.

DO NOT use a plastic vent.

DO NOT exhaust into a chimney, kitchen exhaust, gas vent, wall, ceiling, attic, crawl space, or concealed space of a building.

DO NOT install a screen in or over the exhaust duct.

DO NOT install a booster fan in the exhaust duct.

DO NOT use duct longer than specified in the exhaust length table.

Failure to follow these instructions can result in death or fire.

PARTS AVAILABLE FROM GEAPPLIANCES.COM OR LOCAL SERVICE ORGANIZATIONS

PM8X85	Outdoor exhaust hood
PM08X10085	8' Flexible metal clothes dryer transition duct with 2 clamps
WX08X10130	4" Dryer exhaust clamp
WE49X22606	Rear exhaust opening cover, for side or bottom vented dryers

EXHAUST SYSTEM CHECKLIST

HOOD OR WALL CAP

- Terminate in a manner to prevent back drafts or entry of birds or other wildlife.
- Termination should present minimal resistance to the exhaust airflow and should require little or no maintenance to prevent clogging.
- Wall caps must be installed at least 12" above ground level or any other obstruction with the opening pointed down.
- Never vent the dryer out of the roof.

SEPARATION OF TURNS

- For best performance, separate all turns by at least 4 ft. of straight duct, including distance between last turn and dampened wall cap.

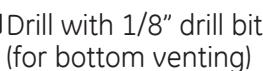
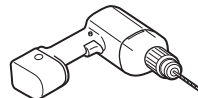
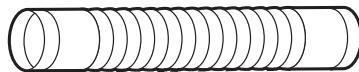
SEALING OF JOINTS

- All joints should be tight to avoid leaks. The male end of each section of duct must point away from the dryer.
- Duct joints should be made air- and moisture-tight by wrapping the overlapped joints with duct tape or aluminum tape.
- Do not assemble ductwork with any fasteners that extend into the duct. These fasteners can accumulate lint, creating a potential fire hazard.
- Horizontal runs should slope down towards the outdoors 1/4" per foot.
- Provide an access for inspection and cleaning of the exhaust system, especially at turns and joints. Exhaust system shall be inspected and cleaned at least once a year.

INSULATION

- Ductwork that runs through an unheated area or is near air conditioning should be insulated to reduce condensation and lint buildup.

TOOLS AND MATERIALS YOU WILL NEED TO INSTALL EXHAUST DUCT



Installation Instructions

EXHAUSTING THE DRYER (cont.)

CONNECTING THE DRYER TO HOUSE VENT

RIGID METAL TRANSITION DUCT

- For best drying performance, a rigid metal transition duct is recommended.
- Rigid metal transition ducts reduce the risk of crushing and kinking.

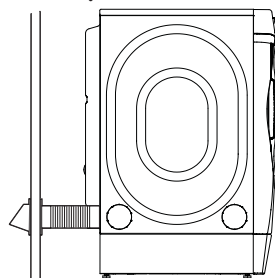
UL-LISTED FLEXIBLE METAL (SEMI-RIGID) TRANSITION DUCT

- If rigid metal duct cannot be used, then UL-listed flexible metal (semi-rigid) ducting can be used (Kit PM08X10085).
- Never install flexible metal duct in walls, ceilings, floors or other enclosed spaces.
- Total length of flexible metal duct should not exceed 7' 9" (2.4 m).
- For many applications, installing elbows at both the dryer and the wall is highly recommended (see illustrations at right). Elbows allow the dryer to sit close to the wall without kinking and/or crushing the transition duct, maximizing drying performance.
- Avoid resting the duct on sharp objects.

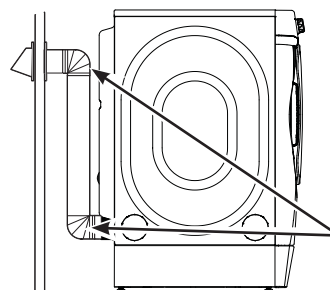
UL-LISTED FLEXIBLE METAL (FOIL-TYPE) TRANSITION DUCT

- In special installations, it may be necessary to connect the dryer to the house vent using a flexible metal (foil-type) duct. A UL-listed flexible metal (foil-type) duct may be used ONLY in installations where rigid metal or flexible metal (semi-rigid) ducting cannot be used AND where a 4" diameter can be maintained throughout the entire length of the transition duct.
- In Canada and the United States, only the flexible metal (foil-type) ducts that comply with the "Outline for Clothes Dryer Transition Duct Subject 2158A" shall be used.
- Never install flexible metal duct in walls, ceilings, floors or other enclosed spaces.
- Total length of flexible metal duct should not exceed 7' 9" (2.4 m).
- Avoid resting the duct on sharp objects.
- For best drying performance:
 1. Slide one end of the duct over the clothes dryer outlet pipe.
 2. Secure the duct with a clamp.
 3. With the dryer in its permanent position, extend the duct to its full length. Allow 2" of duct to overlap the exhaust pipe. Cut off and remove excess duct. Keep the duct as straight as possible for maximum airflow.
 4. Secure the duct to the exhaust pipe with the other clamp.

FOR TRANSITION VENTING (DRYER TO WALL), DO:



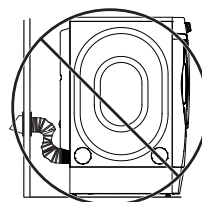
- **DO** cut duct as short as possible and install straight into wall.



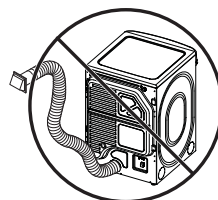
- **DO** use elbows when turns are necessary.

Elbows

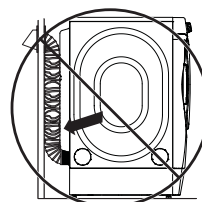
DO NOT:



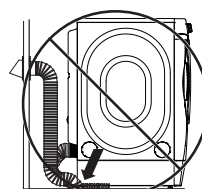
- **DO NOT** bend or collapse ducting. Use elbows if turns are necessary.



- **DO NOT** use excessive exhaust length. Cut duct as short as possible.



- **DO NOT** crush duct against the wall.



- **DO NOT** set dryer on duct.

Installation Instructions

EXHAUST LENGTH

Using exhaust longer than specified length will:

- Increase the drying times and the energy cost.
- Reduce the dryer life.
- Accumulate lint, creating a potential fire hazard.

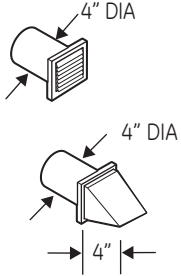
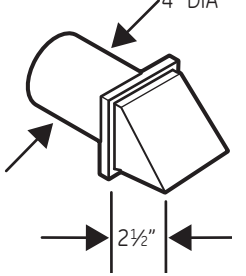
The correct exhaust installation is YOUR RESPONSIBILITY.

Problems due to incorrect installation are not covered by the warranty.

The MAXIMUM ALLOWABLE length of the exhaust system depends upon the type of duct, number of turns, the type of exhaust hood (wall cap) and all conditions noted on the chart.

- Internal elbows added for side or bottom vent conversions must be included in the total elbow count.
- Any elbow greater than 45° should be treated as a 90° elbow.
- Two 45° elbows will be treated like one 90° elbow.
- For the side exhaust installations, add one 90° elbow to the chart.
- When calculating the total vent system length, you must add all the straight portions and elbows of the system (including the transition duct).

EXHAUST LENGTH

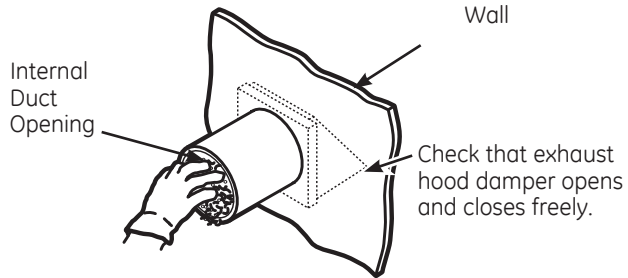
RECOMMENDED MAXIMUM LENGTH		
Exhaust Hood Types		
	Recommended	Use only for short-run installations
		
No. of 90° Elbows	Rigid Metal	Rigid Metal
0	90 Feet	60 Feet
1	60 Feet	45 Feet
2	45 Feet	35 Feet
3	35 Feet	25 Feet
4	25 Feet	15 Feet

Installation Instructions

EXHAUSTING THE DRYER (cont.)

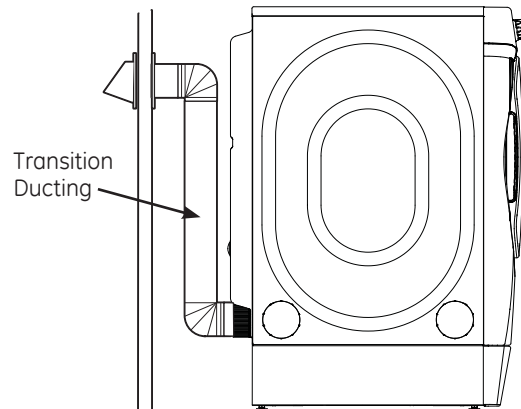
BEFORE YOU BEGIN

- Remove and discard existing plastic or metal foil duct and replace with UL-listed duct.
- Remove any lint from the wall exhaust opening.



RECOMMENDED CONFIGURATION TO MINIMIZE EXHAUST BLOCKAGE

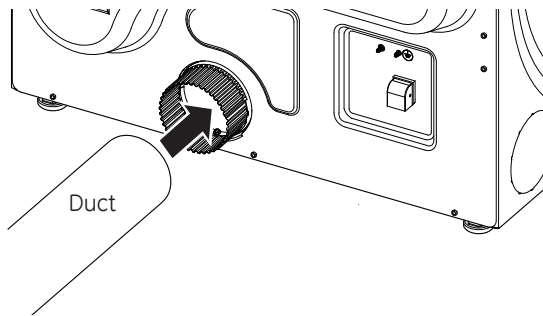
Using duct elbows will prevent duct kinking and collapsing.



STANDARD REAR EXHAUST

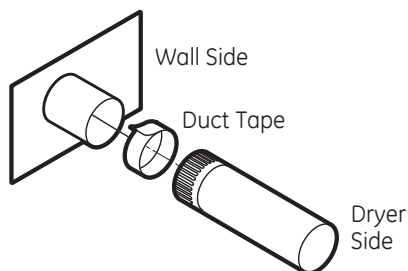
We recommend that you install your dryer before installing your washer. This will permit direct access for easier exhaust connection.

Slide the end of the exhaust duct on the back of the dryer and secure with duct tape or a hose clamp.



NOTE: We strongly recommend using rigid metal exhaust duct. However, if flexible ducting is used it must be UL-Listed metal, not plastic.

- For straight-line installation, connect the dryer exhaust to the wall, using duct tape.



Installation Instructions

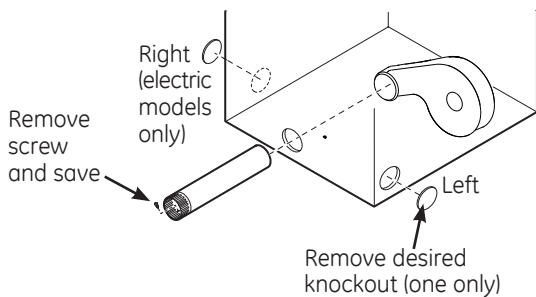
SIDE VENTING:

Dryer Exhaust to right of cabinet for Electric models only.

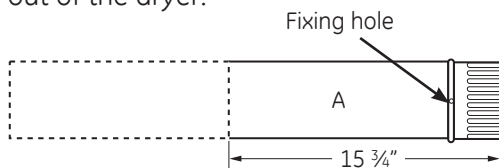
Dryer Exhaust to left of cabinet for Gas and Electric models.

⚠ WARNING - Fire Hazard

Disconnect dryer from electrical supply.
Wear gloves and arm guards.
Close the back opening with cover plate (Kit WE49X22606).
Failure to do so may result in fire, electrical shock or lacerations.

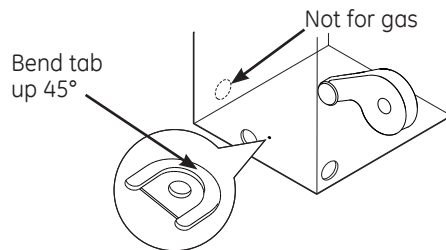


Detach and remove the right (electric models only) or left side knockout as desired. Remove the screw inside the dryer exhaust duct and save. Pull the duct out of the dryer.



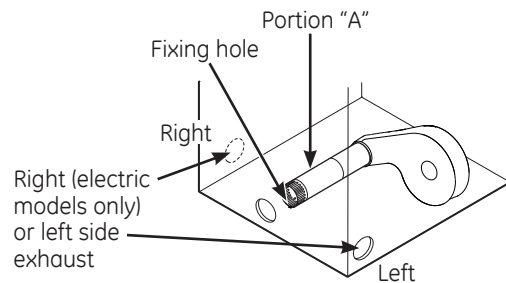
Cut the duct as shown and keep portion A.

TAB LOCATION



Through the rear opening, locate the tab in the middle of the appliance base. Lift the tab to about 45°, using a flat-blade screwdriver.

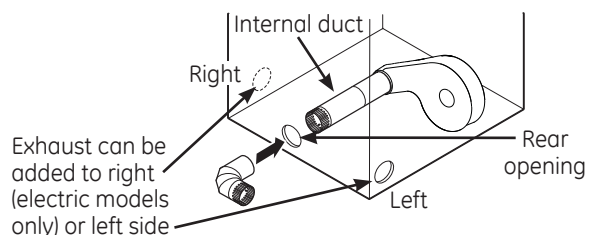
ADDING A NEW DUCT



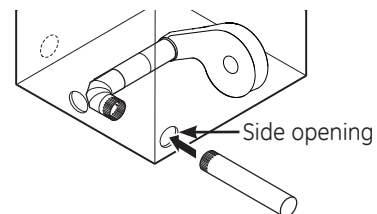
Reconnect the cut portion (A) of the duct to the blower housing. Make sure that the shortened duct is aligned with the tab in the base. Use the screw saved previously to secure the duct in place through the tab on the appliance base.

ADDING ELBOW AND DUCT FOR EXHAUST TO SIDE OF CABINET

- Insert the 4" elbow through the rear opening and connect the elbow to the dryer internal duct.



- Insert the 4" duct through the side opening and connect it to the elbow.



Do not pull or damage the electrical wires and do not remove the vinyl cover from the electrical components inside the dryer when inserting the duct. A slight interference may occur between the exhaust and the wire components.

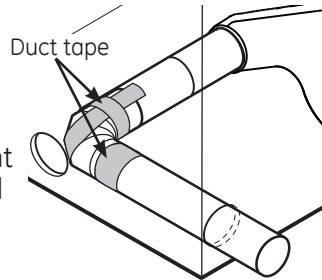
Installation Instructions

EXHAUSTING THE DRYER (cont.)

SIDE VENTING (cont.)

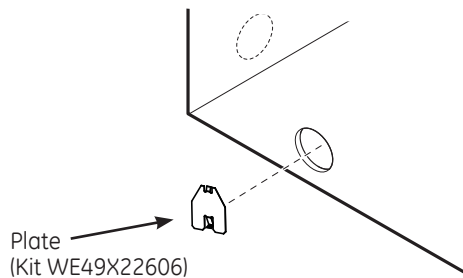
ADDING ELBOW AND DUCT FOR EXHAUST TO LEFT OR RIGHT SIDE OF CABINET (cont.)

- Apply duct tape as shown on the joint between the dryer internal duct and the elbow, and also the joint between the elbow and the side duct.



Use 4" rigid metal ducting only inside the dryer. Internal duct joints must be secured with tape, otherwise they may separate and cause a safety hazard.

ADDING COVER PLATE TO REAR OF CABINET (SIDE EXHAUST)



Connect standard metal elbows and ducts to complete the exhaust system. Cover back opening with a plate (Kit WE49X22606) available from your local service provider. Place dryer in final location.

NEVER LEAVE THE BACK OPENING WITHOUT THE PLATE. (Kit WE49X22606.)

BOTTOM VENTING:

Dryer Exhaust to the bottom of cabinet for Gas and Electric models WITHOUT Built-In Pedestal™.

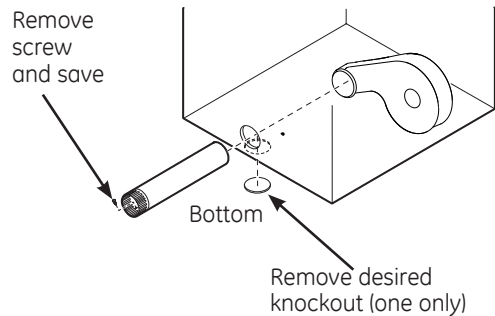
WARNING - Fire Hazard

Close the back opening with cover plate (Kit WE49X22606).

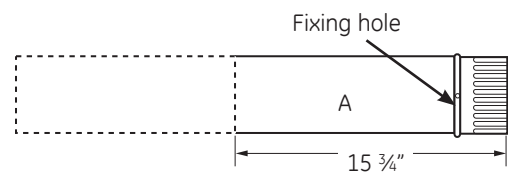
Disconnect dryer from electrical supply.

Wear gloves and arm guards.

Failure to do so may result in fire, electrical shock or lacerations.



Remove the screw inside the dryer exhaust duct and save. Pull the duct out of the dryer. Detach and remove the bottom knockout.



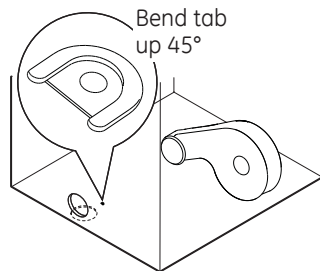
Cut the duct as shown and keep portion A.

Installation Instructions

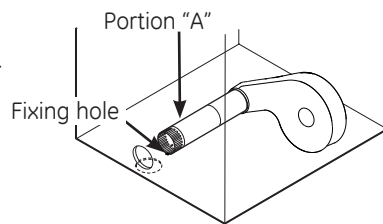
BOTTOM VENTING (cont.)

ADDING A NEW DUCT

- Through the rear opening, locate the tab in the middle of the appliance base. Lift the tab to about 45° using a flat-blade screwdriver.

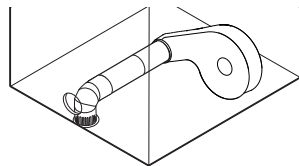


- Reconnect the cut portion (A) of the duct to the blower housing. Make sure that the shortened duct is aligned with the tab in the base.



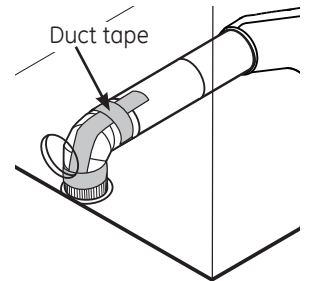
Use the screw saved previously to secure the duct in place through the tab on the appliance base.

- Insert the 4" elbow through the bottom opening and connect to the dryer internal duct.



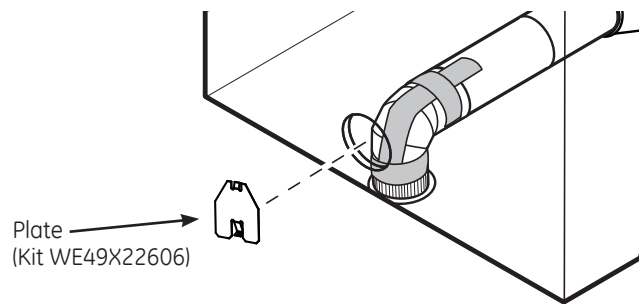
Be sure not to pull or damage the electrical wires inside the dryer when inserting the duct.

- Apply duct tape as shown on the joint between the dryer internal duct and the elbow, and also the joint between the elbow and the bottom duct.



Internal duct joints must be secured with tape; otherwise, they may separate and cause a safety hazard.

ADDING COVER PLATE TO REAR OF CABINET (BOTTOM EXHAUST)



Connect standard metal elbows and ducts to complete the exhaust system. Cover back opening with a plate (Kit WE49X22606) available from your local service provider. Place dryer in final location.

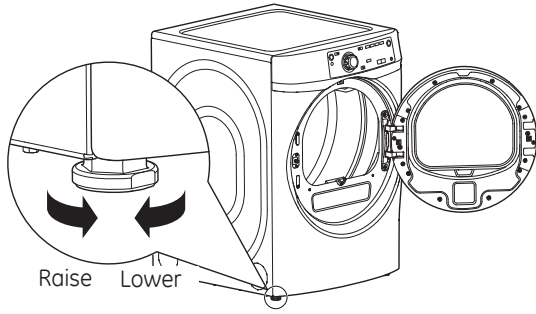
NEVER LEAVE THE BACK OPENING WITHOUT THE PLATE. (Kit WE49X22606.)

Installation Instructions

FINAL SETUP

1 LEVEL THE DRYER

Stand the dryer upright near the final location and adjust the four leveling legs at the corners to ensure that the dryer is level from side to side and front to rear.



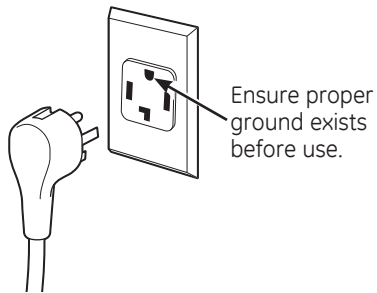
3 DRYER START-UP

Press the **Power** button.



NOTE: If the dryer has been exposed to temperatures below freezing for an extended period of time, allow it to warm up before pressing **Power**. Otherwise, the display will not come on. The dryer is now ready for use.

2 PLUG DRYER IN



Installation Instructions

REVERSING THE DOOR SWING (if desired)

IMPORTANT NOTES

- Read the instructions all the way through before starting.
- Handle parts carefully to avoid scratching paint.
- Set screws down by their related parts to avoid using them in the wrong places.
- Provide a non-scratching work surface for the doors.
- Normal completion time to reverse the door swing is 30–60 minutes.

IMPORTANT: Once you begin, do not move the cabinet until door-swing reversal is completed.

These instructions are for changing the hinges from the right side to the left side—if you ever want to switch them back to the right side, follow these same instructions and reverse all references to the left and right.

TOOLS YOU WILL NEED

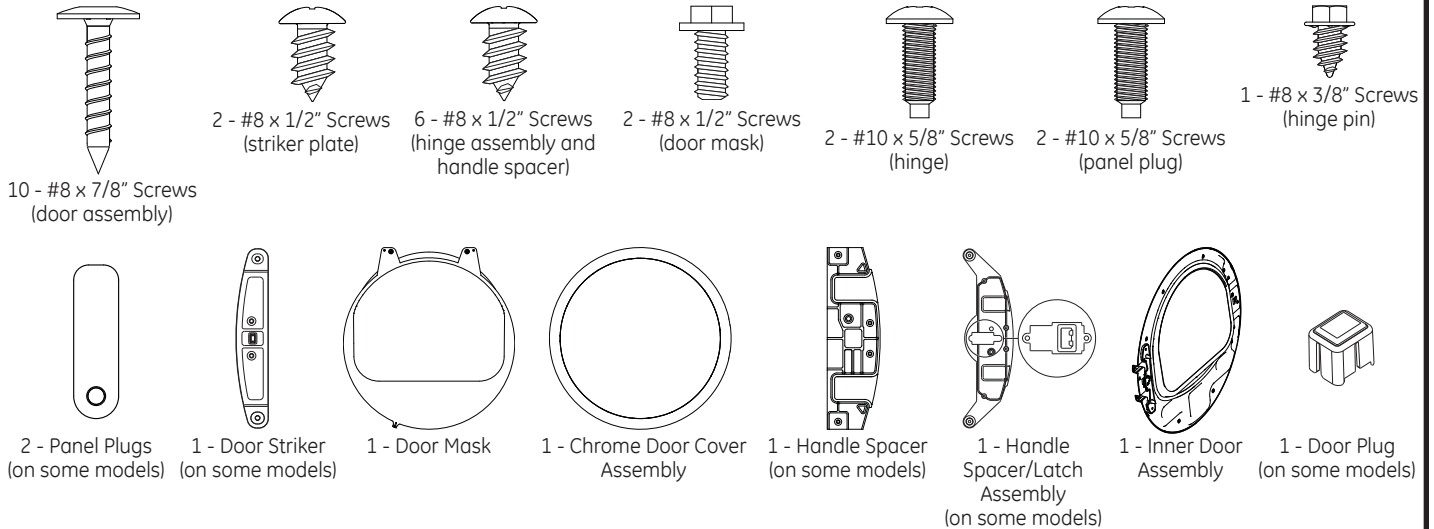
☐ #2 Phillips-head screwdriver

☐ T-25 torx driver

☐ 1/4" nut driver

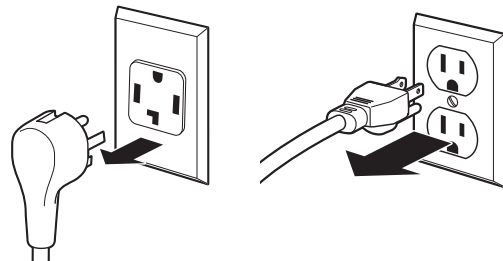


DOOR PARTS



BEFORE YOU START

Unplug the dryer from its electrical outlet.

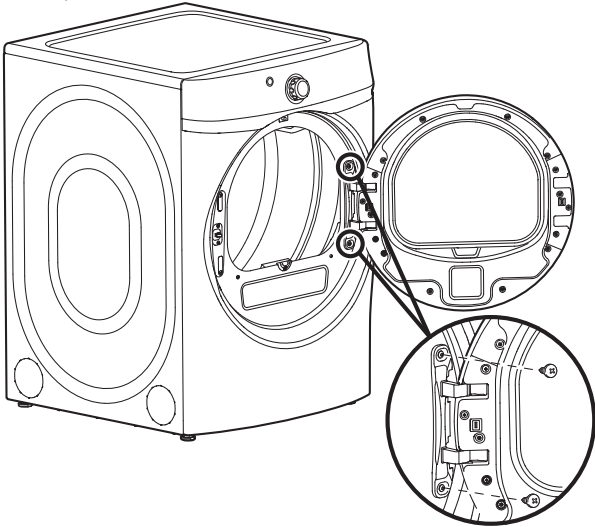


Installation Instructions

REVERSING THE DOOR SWING (if desired)

1 REMOVE THE DOOR ASSEMBLY

- A. Open the door fully.
- B. Remove 2 screws (#10 x 5/8") from the hinge, starting with the bottom screw. The door will tilt away from the front panel, but will come to rest in place.

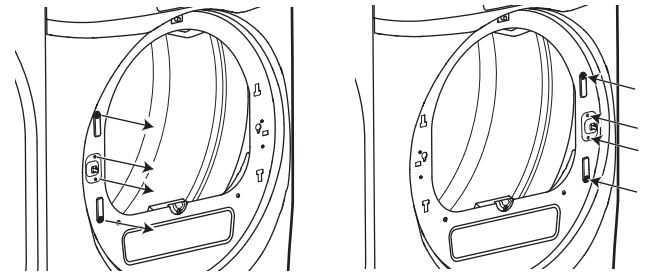


- C. Lift the door slightly and unhook it from the front panel.
- D. Place the door on a soft and flat surface.

2A RE-LOCATE THE HINGE STRIKER AND FRONT PANEL PLUGS (on some models - see step 2B below for other models)

IMPORTANT: Note the location of the hinge (left or right) before removing.

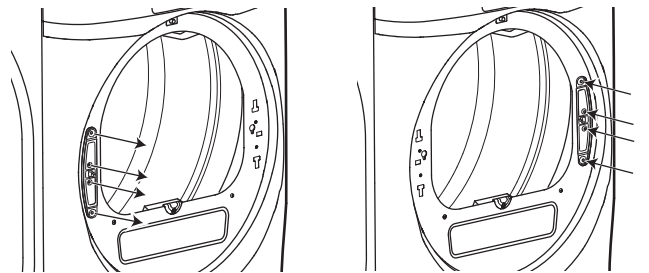
- A. Remove 2 screws (#10 x 5/8") and front panel plugs from the front panel.
- B. Re-install front panel plugs and screws on opposite side of the door opening.
- C. Remove 2 screws (#8 x 1/2") and hinge striker from the front panel.
- D. Rotate hinge striker 180 degrees and re-install with screws on the opposite side of the door opening.



2B RE-LOCATE THE HINGE STRIKER (on some models - see step 2A above for other models)

IMPORTANT: Note the location of the hinge (left or right) before removing.

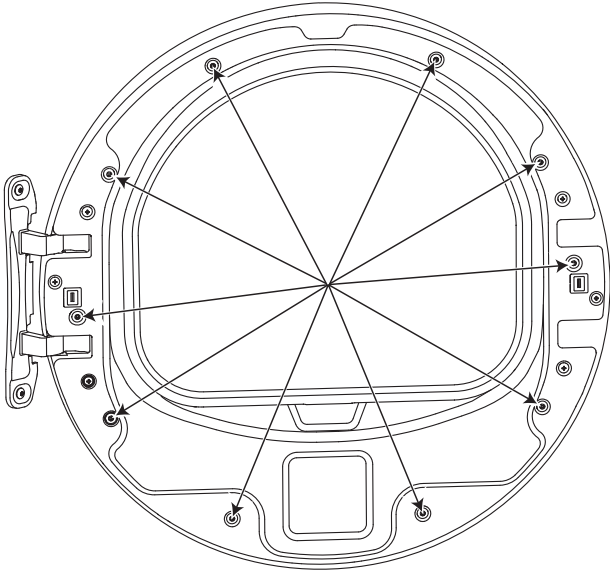
- A. Remove 2 screws (#10 x 5/8") from top and bottom of door striker.
- B. Remove 2 screws (#8 x 1/2") from center of door striker and remove door striker from front panel.
- C. Rotate door striker 180 degrees and re-install with screws on the opposite side of the door opening.



Installation Instructions

3 DISASSEMBLE THE DOOR ASSEMBLY

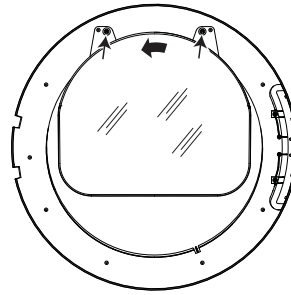
- A. Place door on a soft and flat surface with the inner door frame facing upward.
- B. Remove 10 screws (#8 x 7/8") from the perimeter of the door frame.
- C. Separate the inner door frame from the chrome door cover. Set the inner door frame aside on a soft and flat surface.



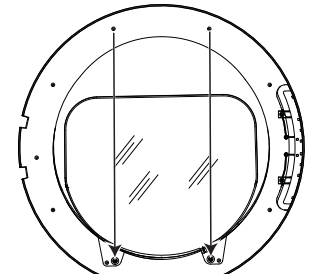
4 RE-LOCATE THE DOOR MASK

- A. Place the chrome door cover on a soft and flat surface so that the door mask is facing upwards.
- B. Remove 2 screws (#8 x 1/2") that secure the door mask in place.
- C. Rotate the door mask 180 degrees and re-install screws to secure door mask.

BEFORE



AFTER



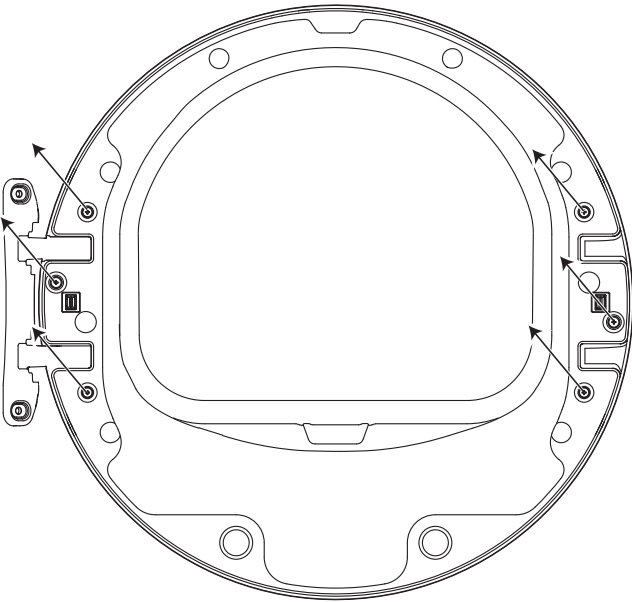
- D. Re-location is complete. Set chrome door cover aside.

Installation Instructions

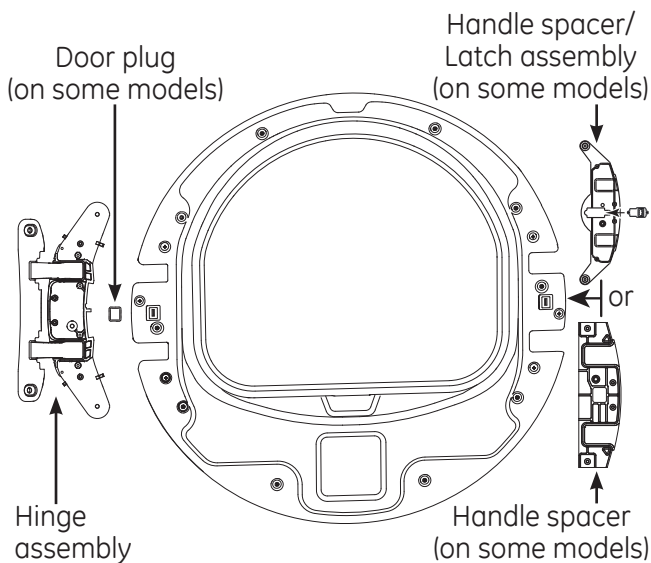
REVERSING THE DOOR SWING (if desired)

5 RE-LOCATE HINGE ASSEMBLY AND HANDLE SPACER

- A. Place the inner door frame on a soft and flat surface so that the inner door gasket is facing upwards.
- B. Remove 6 screws (#8 x 1/2") that secure the hinge assembly and handle spacer.

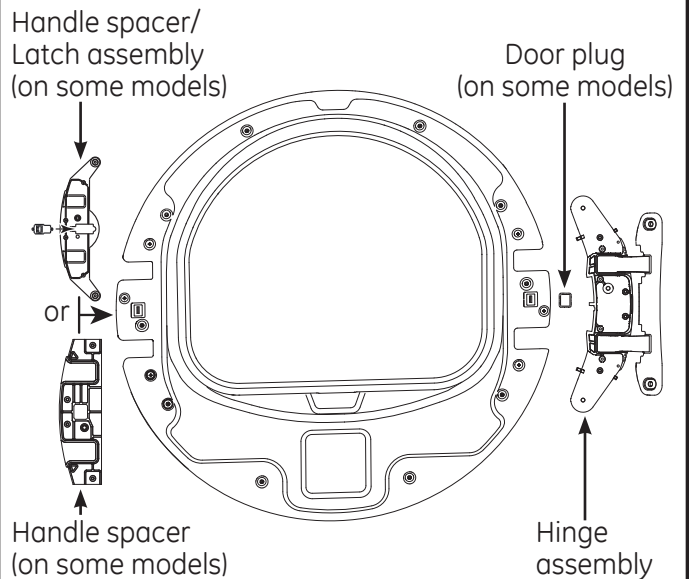


- C. Separate the hinge assembly, door plug (on some models), handle spacer or handle spacer/latch assembly (depending on model) from the inner door frame.

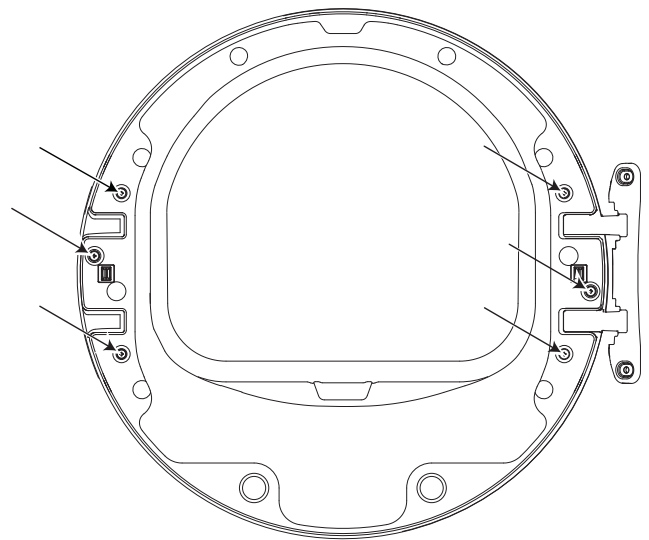


5 RE-LOCATE HINGE ASSEMBLY AND HANDLE SPACER (cont.)

- D. Rotate hinge assembly 180 degrees and re-locate it and the door plug (on some models) on the opposite side of the inner door frame.
- E. Rotate the handle spacer or handle spacer/latch assembly (depending on model) 180 degrees and re-locate on the opposite side of the inner door frame.



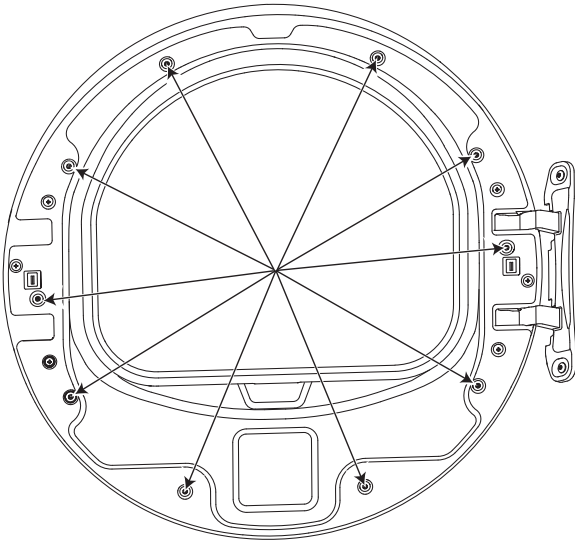
- F. Re-install screws securing hinge assembly and handle spacer.



Installation Instructions

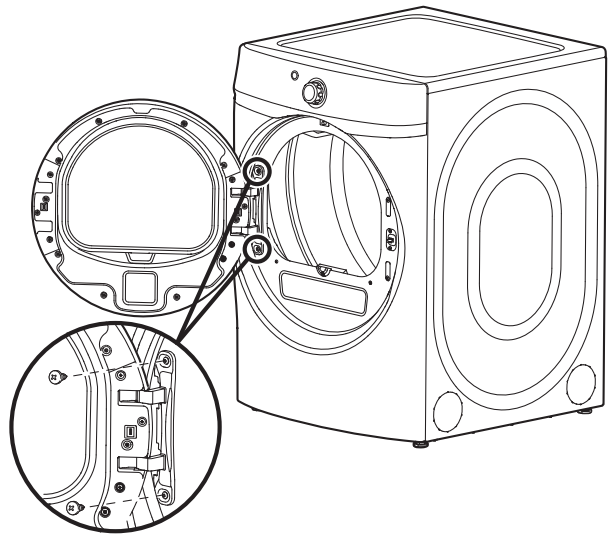
6 RE-ASSEMBLE DOOR ASSEMBLY

- A. Place the chrome door cover on a soft flat surface with the plastic outer protect cover facing down.
- B. Lower the inner door frame onto the chrome door cover.
- C. Ensure that all screw holes are aligned and re-install 10 screws (#8 x 7/8").



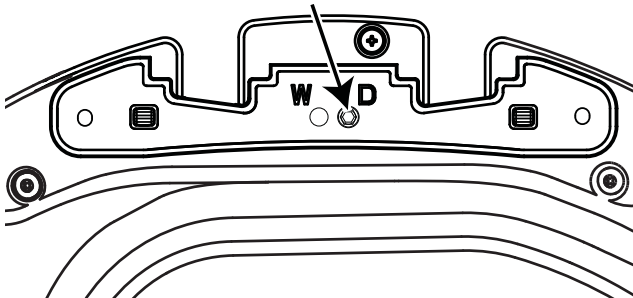
8 RE-INSTALL DOOR ASSEMBLY

- A. Install the door assembly by guiding the hinge pin screw head through the key hole on the front panel and lowering the door assembly into place.
- B. Open the door approximately 140 degrees to provide access to the screw hole locations.
- C. Starting with the top screw, re-install the 2 screws (#10 x 5/8") which secure the door to the front panel.

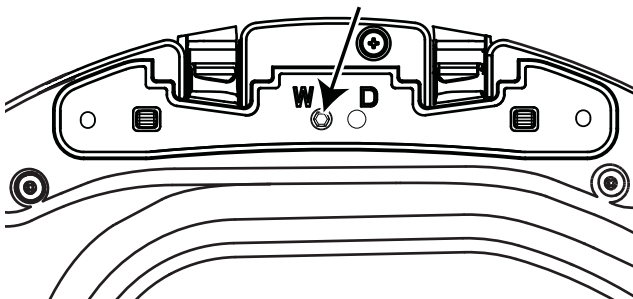


7 RE-LOCATE HINGE PIN SCREW

- A. Remove the hinge pin screw from the hole labeled "D".



- B. Re-install the hinge pin screw into the hole labeled "W".



Installation Instructions

STACKING THE WASHER AND DRYER (if desired)

BEFORE YOU BEGIN

Read these instructions completely and carefully.

- **IMPORTANT** – Save these instructions for local electrical inspector's use.
- **IMPORTANT** – Observe all governing codes and ordinances.
- **Note to Installer** – Be sure to leave these instructions with the Consumer.
- **Note to Consumer** – Keep these instructions for future reference.
- Service **must** be performed by a qualified installer.
- Proper installation is the responsibility of the installer.

- Disconnect power before installing. Failure to do so could result in serious injury or death.

WARNING - Excessive Weight Hazard

Use two or more people to install dryer. Failure to do so may result in back or other injury.

- Avoid Tipping and Rupture of Utility Services. Dryer must be securely attached to the washer. **DO NOT** place the washer on top of the dryer. Failure to do so could result in personal injury/ death or property damage.
- Mobile Home or Manufactured Home Installation – Stacking of a gas dryer is not permitted in a mobile home or manufactured home.

GE APPLIANCES STACK KIT:

Order on-line at GEApplianceParts.com, 24 hours a day or by phone at **877.959.8688** during normal business hours.

Part Number	Accessory
GEFLSTACK	Complete Stack Kit

MINIMUM CLEARANCE OTHER THAN ALCOVE OR CLOSET INSTALLATION

Minimum clearance to combustible surfaces and for air opening are: 0" both sides, 1" rear and 1" top. Consideration must be given to provide adequate clearance for installation and service.

REQUIREMENTS FOR ALCOVE OR CLOSET INSTALLATION

WARNING - Explosion Hazard

Keep flammable materials and vapors, such as gasoline, away from dryer.

Place dryer at least 18" (46 cm) above the floor for a garage installation.

Failure to do so can result in death, explosion, or fire.

- The dryer **MUST** be vented to the outdoors.
- Minimum clearance between dryer cabinet and adjacent walls or other surfaces is:
 - 0" either side
 - 1" front and rear
 - 1" top
- Consideration must be given to provide adequate clearance for installation and service.
- Closet doors must be louvered or otherwise ventilated and have at least 60 square inches of open area. If the closet contains both a washer and a dryer, doors must contain a minimum of 120 square inches of open area.

NOTE: WHEN THE EXHAUST DUCT IS LOCATED AT THE REAR OF THE DRYER, THE CONFIGURATION OF THE DUCTING MAY REQUIRE GREATER THAN 3" OF REAR CLEARANCE.

Gas Dryers Only:

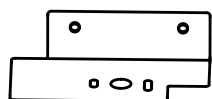
- No other fuel burning appliance shall be installed in the same closet as a gas dryer.
- The dryer must be disconnected from the gas supply piping during pressure testing at pressures greater than ½ psi (3.5 kPa).
- A 1/8 inch NPT minimum plugged tapping, accessible for test gauge connection, must be installed immediately upstream of the gas supply connection to the dryer.

Installation Instructions

STACKING THE WASHER AND DRYER (if desired) (cont.)

STACKING KIT GEFLSTACK CONTENTS (OPTIONAL ACCESSORY)

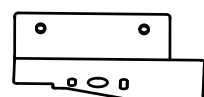
NOTE: Models with Built-In Pedestal™ cannot be stacked.



Left hand bracket



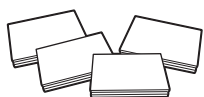
4 #12 x 1" screws



Right hand bracket



4 #8 x 1/2" screws



4 rubber pads

TOOLS YOU WILL NEED



Phillips screwdriver



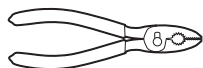
Gloves



Open-ended wrench



Level



Pliers

INSTALLATION PREPARATION

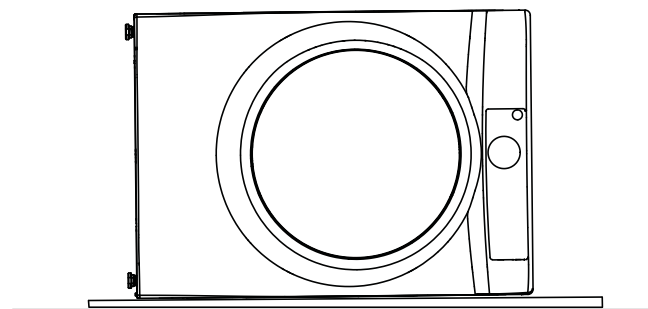
Remove the packaging.

Flatten the product carton to use as a pad to lay the dryer down on its side. Continue using the carton to protect the finished floor in front of the installation location.

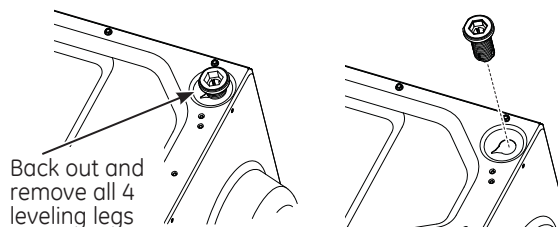
INSTALLING THE STACK BRACKET KIT

1 REMOVE THE DRYER LEVELING LEGS

A. Carefully lay the dryer on its side. Use the packing material so you don't scratch the finish on the dryer.



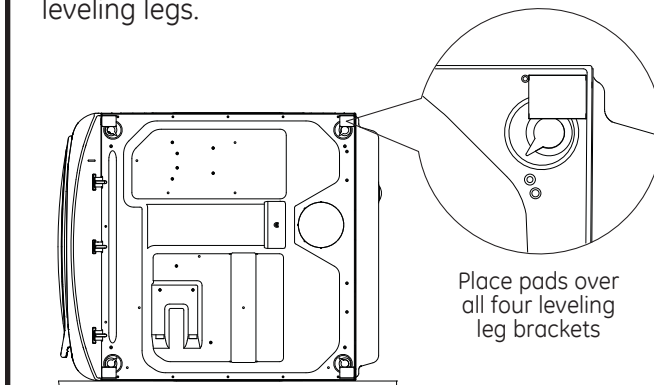
B. Use an open-end wrench or pliers to remove the dryer leveling legs.



Back out and remove all 4 leveling legs

2 INSTALL RUBBER PADS TO DRYER BASE

Locate the 4 rubber pads in the parts package. Remove the adhesive backing and firmly place over each bracket where you removed the leveling legs.

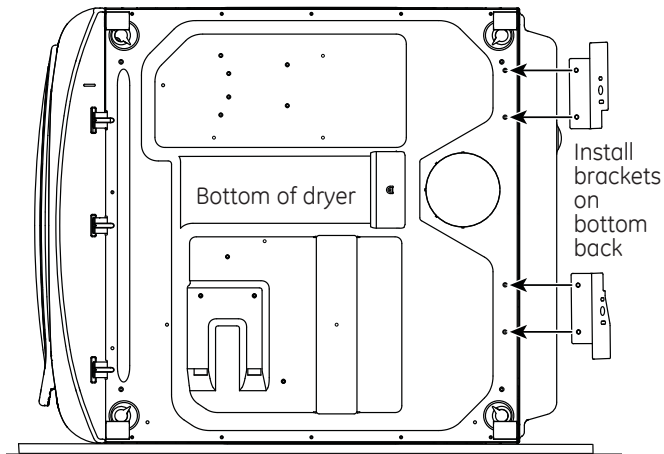


Place pads over all four leveling leg brackets

Installation Instructions

3 INSTALL BRACKET TO DRYER

- A. Align the holes in the left bracket with the holes in the bottom left corner of the dryer. Use a Phillips screwdriver to install the 2 #12 x 1" tapping screws.
- B. Repeat the above step with the right bracket on the bottom right corner of the dryer.



- C. Set the dryer upright.

NOTE: Make sure to set the dryer on a piece of packing material so the brackets that are attached to the bottom of the dryer do not damage the floor.

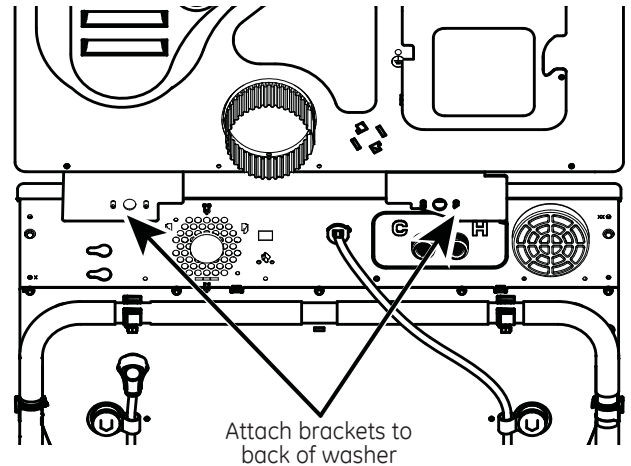
4 INSTALL DRYER AND BRACKET ON WASHER

- A. Lift the dryer on top of the washer. Be careful not to scratch the top of the washer with the brackets. Protect the washer control panel with cardboard or other protection. Be sure to lift the dryer high enough to clear the washer control panel.

More than two people are recommended to lift the dryer into position because of its weight and size. Failure to do so could result in personal injury or death.

4 INSTALL DRYER AND BRACKET ON WASHER (cont.)

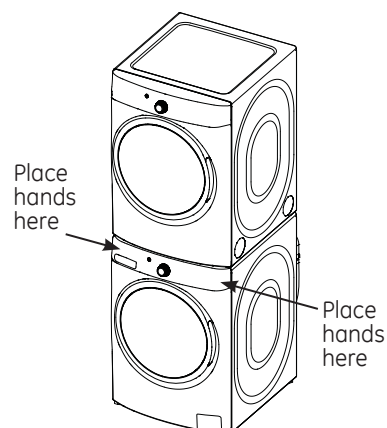
- B. Align the holes in the bracket with the holes in the back of the washer. Using a Phillips screwdriver, attach the 2 #8 x 1/2" tapping screws. Repeat on both sides of the washer.



5 FINALIZE THE INSTALLATION

- A. Refer to the washer Installation Instructions to complete the washer installation.
- B. Refer to the dryer Installation Instructions to complete the dryer installation.
- C. Carefully slide or walk the stacked washer and dryer into place. Use felt pads or other sliding device to assist moving and to protect flooring.

Do not push on the dryer once installed to top of the washer. Pushing on the dryer may result in pinched fingers.



Notes

Before you call for service...

Troubleshooting Tips

Save time and money! Review the charts on the following pages, or visit GEAppliances.com. You may not need to call for service.

Problem	Possible Causes	What To Do
<i>Dryer shakes or makes noise</i>	Some shaking/noise is normal. Dryer may be sitting unevenly.	Move dryer to an even floor space, or adjust leveling legs as necessary until even.
<i>Clothes take too long to dry</i>	Improper or obstructed ducting	Check the Installation Instructions to make sure the dryer venting is correct. Make sure ducting is clean, free of kinks and unobstructed. Check to see if outside wall damper operates easily.
	Improper sorting	Separate heavy items from lightweight items (generally, a well-sorted washer load is a well-sorted dryer load).
	Large loads of heavy fabrics (like beach towels)	Large, heavy fabrics contain more moisture and take longer to dry. Separate large, heavy fabrics into smaller loads to speed drying time.
	Controls improperly set	Match control settings to the load you are drying.
	Lint filter is full	Clean lint filter before every load.
	Blown fuses or tripped circuit breaker	Replace fuses or reset circuit breakers. Since most dryers use 2 fuses/breakers, make sure both are operating.
	Overloading/combining loads	Do not put more than one washer load in the dryer at a time.
	Underloading	If you are drying only one or two items, add a few items to ensure proper tumbling.
	<i>eDry is enabled</i>	The eDry feature is designed to operate your dryer in the most energy efficient mode, which is not always the fastest mode. In some instances, dry times may be extended to reduce overall energy usage for the cycle.
<i>The Dry dryness level was chosen but load is still damp</i>	Load consists of a mixture of heavy and light fabrics	When combining heavy and light fabrics in a load, choose More Dry .
	Exhaust system is blocked	Inspect and clean exhaust system.
<i>Control buttons not responding</i>	Controls accidentally put in service mode	Press Start/Pause .
	Controls accidentally put in lock mode	Hold the Lock Control button for 3 seconds to unlock the dryer.
	Controls performed an incorrect operation	Reset the in-house breaker.
<i>Dryer doesn't start</i>	Control panel is "asleep"	This is normal. Press Power to activate the control panel.
	Dryer is unplugged	Make sure the dryer plug is pushed completely into the outlet.
	Fuse is blown/circuit breaker is tripped	Check the building's fuse/circuit breaker box and replace fuse or reset breaker. NOTE: Electric dryers use two fuses or breakers.
	Dryer was accidentally paused when starting Delay Dry	If the light on the Start/Pause button is flashing, the dryer is paused. Press Start/Pause to restart the countdown.
<i>No numbers displayed during cycle, only lights</i>	Dryer is continuously monitoring the amount of moisture in the clothes	This is normal. When the dryer senses a low level of moisture in the load, the dryer will display the dry time remaining.

Before you call for service...

Problem	Possible Causes	What To Do
<i>Time Remaining jumped to a lower number</i>	The estimated time may change when a smaller load than usual is drying	This is normal.
<i>Cannot make a selection and the dryer beeps twice</i>	The dryness Level, Temp or option that you are trying to select is incompatible with the chosen dry cycle	This is normal.
<i>Dryer is running but 00 is displayed in Time Remaining</i>	The Ext Tumble option was chosen	This is normal. During extended tumbling, the time remaining is not displayed. The extended tumbling option lasts approximately 60 minutes.
<i>Clean Lint Filter (message)</i>	Power button was activated	Press Start/Pause to begin a dry cycle and the message will disappear.
<i>Dryer doesn't heat</i>	Fuse is blown/circuit breaker is tripped; the dryer may tumble but not heat	Check the building's fuse/circuit breaker box and replace both fuses or reset both breakers. Your dryer may tumble if only one fuse is blown or one breaker tripped.
	Gas service is off (gas models only)	Make sure gas shutoff at dryer and main shutoff are fully open.
	LP gas supply tank is empty or there has been a utility interruption of natural gas (gas models only)	Refill or replace tank. Dryer should heat when utility service is restored.
<i>Inconsistent drying times</i>	Type of heat	Drying time will vary according to the type of heat used. If you recently changed from an electric to a gas (natural or LP) dryer, or vice versa, the drying time could be different.
	Type of load and drying conditions	The load size, types of fabric, wetness of clothes and the length and condition of the exhaust system will affect drying times.
<i>Clothes are still wet and dryer shut off after a short time</i>	The door was opened mid-cycle. The load was then removed from the dryer and a new load put in without selecting a new cycle	A dry cycle must be reselected each time a new load is put in.
	Small load	When drying 3 items or less, choose Speed Dry or Time Dry .
	Load was already dry except for collars and waistbands	Choose Speed Dry or Time Dry to dry damp collars and waistbands. In the future, when drying a load with collars and waistbands, choose More Dry .
	Dryer is not level	Move dryer to an even floor space or adjust leveling legs as necessary until even.
<i>Clothes are wrinkled</i>	Overdrying	Select a shorter drying time. Remove items while they still hold a slight amount of moisture. Select a Less Dry or Damp setting.
	Letting items sit in dryer after cycle ends	Remove items when cycle ends and fold or hang immediately, or use the Ext Tumble option.
	Overloading	Separate large loads into smaller ones.

Before you call for service...

Problem	Possible Causes	What To Do
<i>Clothes shrink</i>	Some fabrics will naturally shrink when washed. Others can be safely washed, but will shrink in the dryer.	To avoid shrinkage, follow garment care labels exactly. Some items may be pressed back into shape after drying. If you are concerned about shrinkage in a particular item, do not machine wash or tumble dry it.
<i>Greasy spots on clothes</i>	Improper use of fabric softener	Follow directions on fabric softener package.
	Drying dirty items with clean ones	Use your dryer to dry only clean items. Dirty items can stain clean items and the dryer.
	Clothes were not completely clean	Sometimes stains which cannot be seen when the clothes are wet appear after drying. Use proper washing procedures before drying.
<i>Lint on clothes</i>	Lint filter is full	Clean lint screen before each load.
	Improper sorting	Sort lint producers (like chenille) from lint collectors (like corduroy).
	Static electricity can attract lint	See suggestions in this section under Static occurs .
	Overloading	Separate large loads into smaller ones.
	Paper, tissue, etc., left in pockets	Empty all pockets before laundering clothes.
<i>Static occurs</i>	No fabric softener was used	Try a fabric softener. Bounce® Fabric Conditioner Dryer Sheets have been approved for use in all GE Appliances dryers when used in accordance with the manufacturer's instructions.
	Overdrying	Try a fabric softener. Adjust setting to Less Dry or Damp .
	Synthetics, permanent press and blends can cause static	Try a fabric softener.
<i>Collars and waistbands still wet at end of cycle</i>	The dryness monitor senses that the body of the clothes is dry	Choose Speed Dry or Time Dry to dry damp collars and waistbands. In the future, when drying a load with collars and waistbands, choose More Dry .
<i>Slight variation in metallic color</i>	This is normal	Due to the metallic properties of paint used for this unique product, slight variations of color may occur due to viewing angles and lighting conditions.
<i>Door is too foggy to see clothes during a steam cycle</i>	Steam condenses on inner door	This is normal.
<i>Water seen on inside of door and top of lint filter when opening door after steam cycle</i>	Steam condenses on these surfaces	This is normal.
<i>Small areas on clothes are damp after steam cycle</i>	Steam condenses on inner drum	If using the Steam Dewrinkle cycle, manually reduce the cycle time. If using the Steam Refresh cycle, add more garments to the load.

Before you call for service...

Problem	Possible Causes	What To Do
<i>Small amount of water on floor in front of dryer</i>	Inadequate load size for steam cycle selected, excess steam condenses inside cabinet and leaks out	If using the Steam Dewrinkle cycle, manually reduce the cycle time. If using the Steam Refresh cycle, add more garments to the load.
<i>Water on floor in back of dryer</i>	Loose water hose connection to valve	Tighten connection.
	Hose missing rubber washer at connection with valve	Install rubber washer provided with hose.
<i>Dryer makes water noises</i>	Water valve is open filling steam generator	This is normal.
	Steam generator is dispensing steam into drum	This is normal.
<i>Water drips from door when opened after a Steam Cycle</i>	Steam condenses on inner door	This is normal.
<i>Cannot see steam at beginning of cycle</i>	Steam released at different times in the cycle	This is normal.
<i>Cannot see steam at any time during cycle</i>	The steam nozzle might be clogged with debris from your water supply	Call GE Appliances at 800.GE.CARES to order nozzle replacement kit WE25M71 or to request a technician to replace this for you.
<i>Garments still wrinkled after steam cycle</i>	Too many garments	Load fewer garments; manually increase time.
<i>Dryer continues to tumble after display says Complete</i>	Ext Tumble was selected	Ensure Ext Tumble option is not selected. For the Steam Refresh cycle, Ext Tumble will automatically be turned on and cannot be turned off.

GE Appliances Dryer Warranty. (For customers in the United States)

GEAppliances.com



All warranty service provided by our Factory Service Centers, or an authorized Customer Care® technician. To schedule service, on-line, visit us at GEAppliances.com, or call GE Appliances at 800.GE.CARES (800.432.2737).

Please have serial number and model number available when calling for service.

Staple your receipt here. Proof of the original purchase date is needed to obtain service under the warranty.

Servicing your appliance may require the use of the onboard data port for diagnostics. This gives a GE Appliances Factory Service technician the ability to quickly diagnose any issues with your appliance and helps GE Appliances improve its products by providing GE Appliances with information on your appliance. If you do not want your appliance data to be sent to GE Appliances, please advise your technician NOT to submit the data to GE Appliances at the time of service.

For The Period Of:	We Will Replace:
One Year From the date of the original purchase	Any part of the dryer which fails due to a defect in materials or workmanship. During this limited one-year warranty , GE Appliances will also provide, free of charge , all labor and related service costs to replace the defective part.

What Is Not Covered (in the United States):

- Service trips to your home to teach you how to use the product.
- Improper installation, delivery or maintenance.
- Failure of the product if it is abused, misused or used for other than the intended purpose or used commercially.
- Replacement of the light bulb after its expected useful life.
- Replacement of house fuses or resetting of circuit breakers.
- Damage to the product caused by accident, fire, floods or acts of God.
- Incidental or consequential damage caused by possible defects with this appliance.
- Damage caused after delivery.
- Product not accessible to provide required service.
- Defects or damage due to operation in freezing temperatures.
- Products which are not defective or broken, or which are working as described in the Owner's Manual.

EXCLUSION OF IMPLIED WARRANTIES—Your sole and exclusive remedy is product repair as provided in this Limited Warranty. Any implied warranties, including the implied warranties of merchantability or fitness for a particular purpose, are limited to one year or the shortest period allowed by law.

This warranty is extended to the original purchaser and any succeeding owner for products purchased for home use within the USA. If the product is located in an area where service by a GE Appliances Authorized Servicer is not available, you may be responsible for a trip charge or you may be required to bring the product to an Authorized GE Appliances Service location for service. In Alaska, the warranty excludes the cost of shipping or service calls to your home.

Some states do not allow the exclusion or limitation of incidental or consequential damages. This warranty gives you specific legal rights, and you may also have other rights which vary from state to state. To know what your legal rights are, consult your local or state consumer affairs office or your state's Attorney General.

Warrantor: GE Appliances

GE Appliances Dryer Warranty. (For customers in Canada)

GEAppliances.ca



All warranty service provided by our Factory Service Centres or an authorized technician. For service, call 1.800.561.3344.

Please have serial number and model number available when calling for service.

Servicing your appliance may require the use of the onboard data port for diagnostics. This gives a GE Appliances Factory Service technician the ability to quickly diagnose any issues with your appliance and helps GE Appliances improve its products by providing GE Appliances with information on your appliance. If you do not want your appliance data to be sent to GE Appliances, please advise your technician NOT to submit the data to GE Appliances at the time of service.

For The Period Of: We Will Replace:

One Year

From the date of the original purchase

Any part of the dryer which fails due to a defect in materials or workmanship. During this **limited one-year warranty**, GE Appliances will also provide, **free of charge**, all labor and related service costs to replace the defective part.

What Is Not Covered (in Canada):

- Service trips to your home to teach you how to use the product.
- Improper installation, delivery or maintenance.
- Failure of the product if it is abused, misused or used for other than the intended purpose or used commercially.
- Replacement of the light bulb after its expected useful life.
- Replacement of house fuses or resetting of circuit breakers.
- Damage to the product caused by accident, fire, floods or acts of God.
- Incidental or consequential damage caused by possible defects with this appliance.
- Damage caused after delivery.
- Product not accessible to provide required service.
- Defects or damage due to operation in freezing temperatures.
- Products which are not defective or broken, or which are working as described in the Owner's Manual.

EXCLUSION OF IMPLIED WARRANTIES—Your sole and exclusive remedy is product repair as provided in this Limited Warranty. Any implied warranties, including the implied warranties of merchantability or fitness for a particular purpose, are limited to one year or the shortest period allowed by law.

This warranty is extended to the original purchaser and any succeeding owner for products purchased in Canada for home use within Canada. In-home warranty service will be provided in areas where it is available and deemed reasonable by Mabe to provide.

WARRANTOR IS NOT RESPONSIBLE FOR CONSEQUENTIAL DAMAGES

Warrantor: MC Commercial, Burlington, ON, L7R 5B6

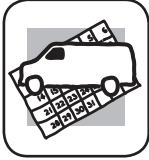
Consumer Support.



GE Appliances Website

In the U.S.: **GEAppliances.com**

Have a question or need assistance with your appliance? Try the GE Appliances Website 24 hours a day, any day of the year! For greater convenience and faster service, you can now download Owner's Manuals, order parts or even schedule service on-line. **In Canada: www.GEAppliances.ca**



Schedule Service

In the U.S.: **GEAppliances.com**

Expert GE Appliances repair service is only one step away from your door. Get on-line and schedule your service at your convenience any day of the year! Or call GE Appliances at 800.GE.CARES (800.432.2737) during normal business hours. **In Canada, call 1.800.561.3344**



Real Life Design Studio

In the U.S.: **GEAppliances.com**

GE Appliances supports the Universal Design concept—products, services and environments that can be used by people of all ages, sizes and capabilities. We recognize the need to design for a wide range of physical and mental abilities and impairments. For details of GE Appliances Universal Design applications, including kitchen design ideas for people with disabilities, check out our Website today. For the hearing impaired, please call 800.TDD.GEAC (800.833.4322).

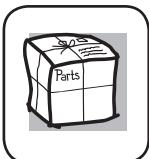
In Canada, contact: Manager, Consumer Relations, MC Commercial
Suite 310, 1 Factory Lane
Moncton, N.B. E1C 9M3



Extended Warranties

In the U.S.: **GEAppliances.com**

Purchase a GE Appliances extended warranty and learn about special discounts that are available while your warranty is still in effect. You can purchase it on-line anytime, or call 800.626.2224 during normal business hours. GE Appliances Consumer Home Services will still be there after your warranty expires. **In Canada, call 1.800.290.9029**



Parts and Accessories

In the U.S.: **GEApplianceparts.com**

Individuals qualified to service their own appliances can have parts or accessories sent directly to their homes (VISA, MasterCard and Discover cards are accepted). Order on-line today, 24 hours every day or by phone at 877.959.8688 during normal business hours.

Instructions contained in this manual cover procedures to be performed by any user. Other servicing generally should be referred to qualified service personnel. Caution must be exercised, since improper servicing may cause unsafe operation.

Customers **in Canada** should consult the yellow pages for the nearest Mabe service center, or call 1.800.661.1616.



Contact Us

In the U.S.: **GEAppliances.com**

If you are not satisfied with the service you receive from GE Appliances, contact us on our Website with all the details including your phone number, or write to:

General Manager, Customer Relations
GE Appliances, Appliance Park
Louisville, KY 40225

In Canada: www.GEAppliances.ca, or write to: Director, Consumer Relations, MC Commercial
Suite 310, 1 Factory Lane
Moncton, N.B. E1C 9M3

For questions on installation call 1-800-626-2005 (US) and 1-800-561-3344 (Canada).



Register Your Appliance

In the U.S.: **GEAppliances.com**

Register your new appliance on-line—at your convenience! Timely product registration will allow for enhanced communication and prompt service under the terms of your warranty, should the need arise. You may also mail in the pre-printed registration card included in the packing material. **In Canada: www.GEAppliances.ca**



SÈCHES SÈCHES SÈCHES SÈCHES SÈCHES SÈCHES SÈCHES SÈCHES SÈCHES SÈCHES

MESURES DE SÉCURITÉ.....4

UTILISATION DE LA SÈCHEUSE

Panneau de contrôle 6
 Pour démarrer 7
 Chargement..... 11
 Caractéristiques12

ENTRETIEN ET NETTOYAGE...13

INSTRUCTIONS

D'INSTALLATION.....14

Inversion de l'ouverture de la porte 33
 Comment superposer la sècheuse à la
 laveuse.....38

CONSEILS DE DÉPANNAGE... 42

SOUTIEN AU CONSOMMATEUR

Garantie 46
 Soutien au consommateur 48

**GUIDE DE
L'UTILISATEUR
ET INSTRUCTION
D'INSTALLATION**

- GFD49
- GFD48
- GFDR485
- GFDR480
- GHDS365
- GHDS360
- GFDR275
- GFDR270
- GFDS265
- GFDS260

Inscrivez ici les numéros
de modèle et de série :

Modèle # _____

Série # _____

Ces informations figurent sur
l'étiquette située à l'avant de
la sècheuse, derrière la porte.

NOUS VOUS REMERCIONS D'ACCUEILLIR GE APPLIANCES CHEZ VOUS

Que vous ayez grandi avec GE Appliances ou qu'il s'agisse de votre première acquisition, nous sommes heureux de vous accueillir dans notre famille.

Nous sommes fiers du savoir-faire, de l'innovation et de l'esthétique qui composent chaque appareil GE Appliances, et nous pensons que vous le serez aussi. Dans cette optique, nous vous rappelons que l'enregistrement de votre électroménager vous assure la communication de renseignements importants sur le produit et la garantie lorsque vous en avez besoin.

Enregistrez votre électroménager GE en ligne dès maintenant. Des sites Web et des numéros de téléphone utiles figurent dans la section Soutien au consommateur de ce manuel d'utilisation. Vous pouvez aussi poster la fiche de garantie préimprimée incluse dans l'emballage.



GE APPLIANCES

CONSIGNES DE SÉCURITÉ IMPORTANTES.

LISEZ TOUTES LES INSTRUCTIONS AVANT D'UTILISER VOTRE APPAREIL.

INSTRUCTIONS DE SÉCURITÉ IMPORTANTES



AVERTISSEMENT

Pour réduire le risque d'incendie, d'explosion, de choc électrique ou de blessure aux personnes utilisant cet appareil, observez des précautions élémentaires dont les suivantes :

- Lisez toutes les instructions avant d'utiliser l'appareil.
- **NE** séchez **PAS** les articles qui ont été précédemment nettoyés, lavés, trempés, ou détachés à l'aide d'essence, de solvants de nettoyage à sec ou d'autres substances inflammables ou explosives, puisqu'ils peuvent émettre des vapeurs susceptibles de s'enflammer ou d'exploser.
- **NE** placez **PAS** d'articles exposés aux huiles de cuisson dans la sècheuse. Les articles souillés par les huiles de cuisson peuvent faciliter des réactions chimiques susceptibles d'enflammer une brassée. Pour réduire le risque d'incendie en raison de charges contaminées, la dernière partie du cycle de sèche-linge se produit sans chaleur (période de refroidissement). Évitez d'arrêter une sècheuse avant la fin du cycle de séchage à moins que tous les articles soient rapidement enlevés et répartis de telle sorte que la chaleur est dissipée.
- **N'**autorisez **PAS** les enfants à jouer sur ou dans cet appareil. Une surveillance étroite est requise lorsque des enfants se trouvent à proximité de l'appareil en fonctionnement.
- Enlevez la porte de la sècheuse lorsque l'appareil est mis hors service ou au rebut.
- **NE** vous penchez **PAS** dans l'appareil lorsque le tambour est en rotation.
- **N'**installez **PAS** et ne rangez **PAS** cet appareil à un endroit exposé aux intempéries.
- **NE** modifiez **PAS** les commandes.
- **NE** réparez **PAS** cet appareil, en totalité ou en partie, en remplacez une quelconque pièce, à moins que cela ne soit expressément recommandé dans les instructions d'entretien ou de réparation destinées à l'utilisateur dont vous avez une compréhension et une compétence suffisantes pour les appliquer.
- **N'**employez **PAS** de produits assouplissants NI d'agents antistatiques à moins que leur utilisation ne soit recommandée par leurs fabricants.
- **NE** sécher **PAS** des articles qui contiennent du caoutchouc mousse ou des matières à texture caoutchouteuse similaire.
- Nettoyez la charpie avant et après chaque brassée.
- **N'**utilisez **PAS** la sècheuse sans que le filtre à charpie ne soit en place.
- **NE** rangez **PAS** de matières combustibles, de l'essence ni d'autres liquides inflammables à proximité de la sècheuse. Gardez la zone autour de l'ouverture d'évacuation et tout l'espace adjacent libres de charpie, de poussière et de saletés.
- L'intérieur de l'appareil et le tuyau d'évacuation doivent être nettoyés régulièrement par du personnel qualifié.
- Débranchez l'appareil ou fermez le disjoncteur avant une réparation. Le fait d'appuyer sur le bouton Power (Alimentation) ou sur le bouton **Start/Pause** (*Mise en marche/pause*) **NE** coupe **PAS** l'alimentation électrique.
- **NE** faites **PAS** fonctionner cet appareil s'il est endommagé, ne fonctionne pas correctement, est en partie démonté, ou encore si des pièces sont manquantes ou abîmées, y compris le cordon électrique ou sa fiche.
- **NE** vaporisez **AUCUN** type d'aérosol dans, sur ou à proximité de la sècheuse, et ce en tout temps. **N'**utilisez **AUCUN** type de nettoyant en vaporisateur lorsque vous nettoyez l'intérieur de la sècheuse. Cela poserait un risque de vapeurs dangereuses ou de choc électrique.
- Consultez la section « RENSEIGNEMENTS SUR LES RACCORDS ÉLECTRIQUES » des instructions d'installation pour connaître la procédure de mise à la terre.

CONSERVEZ CES INSTRUCTIONS

AVERTISSEMENTS SUPPLÉMENTAIRES CONCERNANT LES SÈCHEUSES À GAZ

⚠ AVERTISSEMENT  - Risque d'incendie ou d'explosion

Le non-respect strict des avertissements de sécurité pourrait entraîner des blessures graves, la mort ou des dommages matériels.

- N'entreposez PAS et n'utilisez PAS d'essence NI d'autres vapeurs ou liquides inflammables dans les alentours de cet appareil ou de tout autre.
- QUE FAIRE SI UNE ODEUR DE GAZ EST DÉTECTÉE :
 - N'allumez AUCUN appareil.
 - NE touchez à AUCUN commutateur électrique ; n'utilisez AUCUN téléphone dans votre immeuble.
 - Faites évacuer la pièce, l'immeuble ou la zone de tous ses occupants.
 - Communiquez immédiatement avec votre fournisseur de gaz au moyen du téléphone d'un voisin. Observez les directives du fournisseur de gaz.
 - Si vous ne pouvez pas joindre votre fournisseur de gaz, appelez le service d'incendie.
- L'installation, l'entretien et les réparations doivent être exécutés par un installateur agréé, un organisme de service ou le fournisseur de gaz.

Avertissements de la Proposition 65 de l'État de la Californie

⚠ AVERTISSEMENT Ce produit contient une ou plusieurs substances chimiques reconnues par l'État de Californie pour causer le cancer, et des anomalies congénitales ou d'autres problèmes liés à la reproduction.

Les appareils à gaz peuvent entraîner des expositions de faible intensité à certaines de ces substances, y compris au benzène, au monoxyde de carbone, au formaldéhyde, et à la suie, en raison principalement d'une combustion incomplète du gaz naturel ou liquifié. L'exposition à ces substances peut être réduite au minimum par la ventilation adéquate de la sècheuse vers l'extérieur.

CONSERVEZ CES INSTRUCTIONS

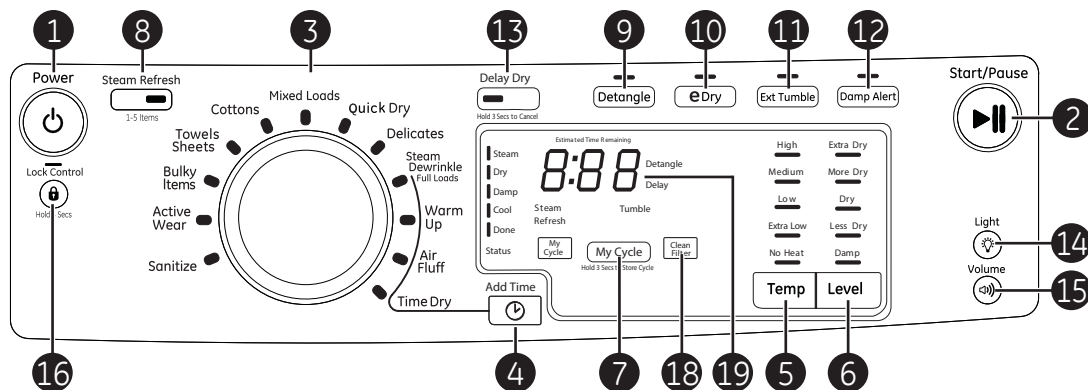
À propos du panneau de contrôle de la sècheuse.



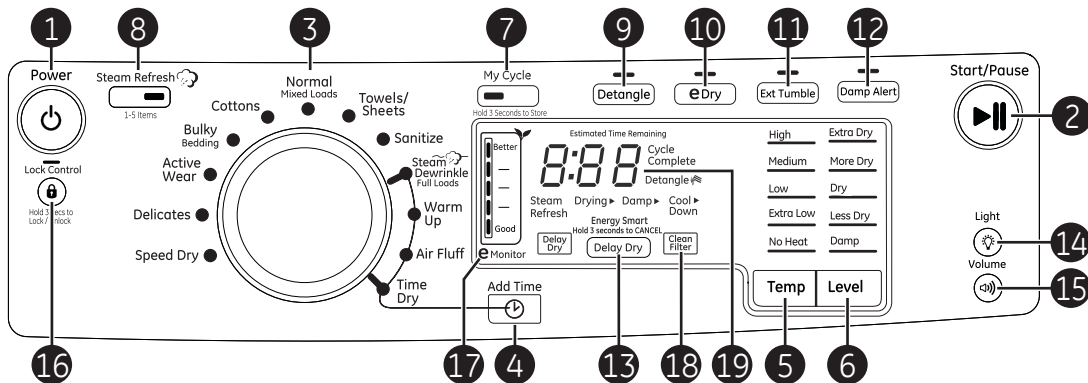
AVERTISSEMENT Pour réduire le risque d'incendie, de choc électrique ou de blessure, lisez les **IMPORTANTES CONSIGNES DE SÉCURITÉ** avant de faire fonctionner cet appareil.

Dans ce manuel, les commandes et l'aspect des éléments peuvent différer de votre modèle.

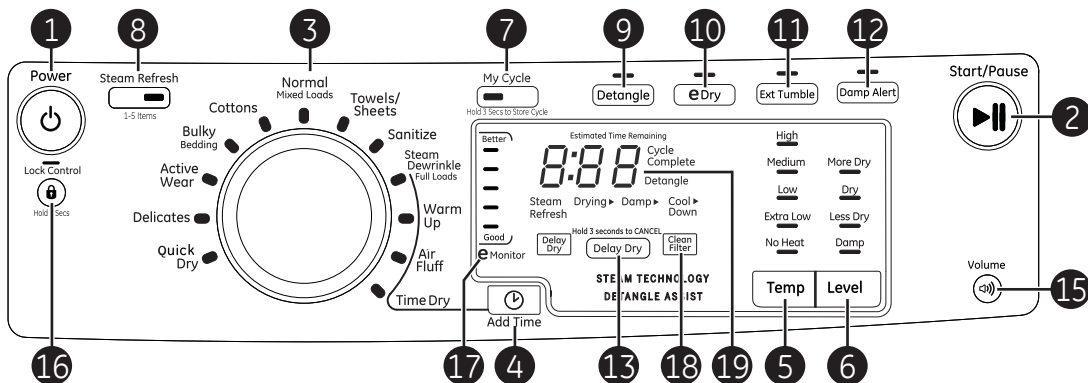
Modèles :
GFD49
GFD48



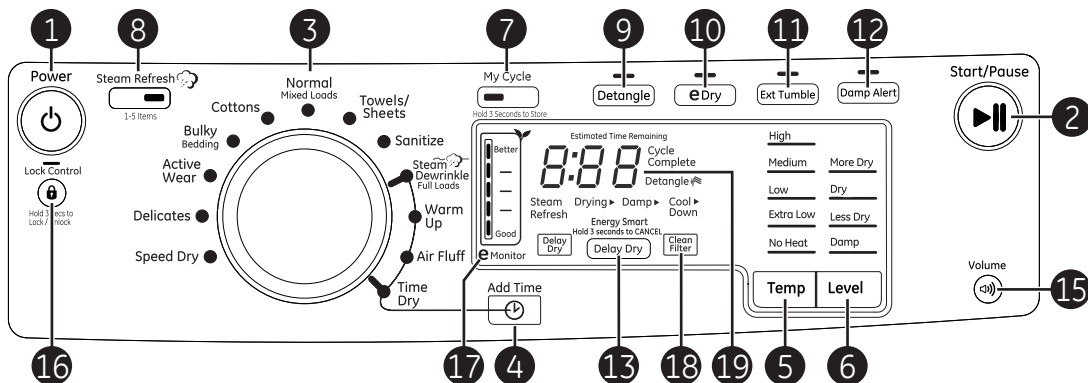
Modèles :
GFDR485
GFDR480
GHDS365
GHDS360



Modèles :
GFDR275
GFDR270



Modèles :
GFDS265
GFDS260



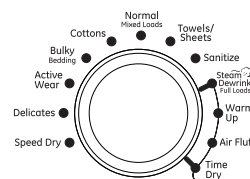
Pour démarrer

- 1 Appuyez sur le bouton **Power** (Alimentation).



Si l'écran est obscur, appuyez sur le bouton **Power** (Alimentation) pour activer l'afficheur.

- 2 Sélectionnez le cycle de séchage. (Des réglages par défaut sont établis pour chaque lavage. Ces réglages peuvent être modifiés. Consultez la section **Réglages des contrôles** pour de plus amples informations).



- 3 Appuyez sur le bouton **Start/Pause** (Marche/pause).



1 Power (Alimentation)

Appuyez sur cette touche pour « allumer » l'écran. Si l'écran est actif, appuyez pour éteindre la sècheuse.

REMARQUE: Le fait d'appuyer sur **Power** (Alimentation) ne coupe pas l'alimentation électrique à l'appareil.



Start/Pause

Start/Pause (Marche/Pause)

Appuyez sur cette touche pour lancer un cycle de séchage. Si la sècheuse est déjà en fonctionnement, le fait d'appuyer sur cette

touche interrompt le cycle en cours. Appuyez encore sur la touche pour reprendre le cycle de séchage.

3 Cycles de séchage

Le cycle de séchage contrôle la durée du processus de séchage. Le tableau ci-dessous vous aidera à trouver le bon réglage de séchage en fonction de votre brassée.

Normal/Mixed Loads (Charge normale/mixte)	Pour les brassées constituées de cotons et de mélanges de polyester.
Cottons (Cotons)	Pour les cotons et la plupart des articles en toile. NOTE: Les modèles Energy Star® sont testés sur Cottons (Cotons) avec les paramètres par défaut.
Bulky/Bedding ou Bulky Items (Lingerie volumineuse)	Pour manteaux grand format, jetés de lit, housses à matelas, sacs de couchage, couvertures, douillettes, blousons, carpettes et autres articles volumineux.
Active Wear (Vêtements de sport)	Pour les vêtements de sports, d'exercice et certains vêtements décontractés. Les tissus bénéficient de finitions en nouvelle technologie et sont composés de fibres élastiques comme le Spandex. Aussi pour vêtements étiquetés Sans repassage (Easy Care) ou Infroissable (Perma Press) : Pour les articles qui ne nécessitent pas de repassage.
Delicates (Déliçats)	Pour la lingerie et les tissus déliçats.
Speed Dry ou Quick Dry (Séchage rapide)	Pour les petites brassées qui doivent être séchées rapidement, comme les tenues de sport ou les uniformes d'école. Ce cycle peut aussi être utilisé si le cycle précédent a laissé quelques articles encore humides, comme des cols ou des ceintures.
Towels/Sheets (Serviettes/draps)	Pour serviettes OU draps. Il n'est pas recommandé de mélanger serviettes et draps dans la même brassée.
Sanitize (Sanitize)	Réduit certains types de bactéries de 99,8 %, notamment : Staphylococcus aureus, Pseudomonas aeruginosa et Klebsiella pneumoniae. Le traitement antibactérien survient lorsqu'une chaleur élevée est appliquée durant une partie du cycle de séchage.
Steam Dewrinkle (Vapeur défroissage)	Fournit 20 minutes de séchage à vapeur pour aider à défroisser les vêtements. Idéal pour des brassées de vêtements qui ont été laissées dans la sècheuse pendant une longue période de temps.
Warm Up (Préchauffage)	Fournit 10 minutes de préchauffage des vêtements.
Air Fluff (Air froid)	Fournit 10 minutes de temps de culbutage sans chaleur.
Time Dry (Séchage minuté)	Cette commande permet de définir son propre temps de séchage. La fonction Time Dry (Séchage minuté) est aussi recommandée pour les petites brassées. Pour utiliser : 1. Tournez le cadran du cycle de séchage sur Time Dry . 2. Augmentez le temps de séchage en appuyant sur le bouton Add Time (Prolongation) . Remarque : Ce bouton ne fait qu'ajouter du temps. Une fois la durée maximale atteinte, une nouvelle pression sur le bouton remettra la minuterie à la valeur la moins élevée. 3. Sélectionnez la température de séchage (Temp). 4. Fermez la porte. 5. Appuyez sur Start/Pause (Mise en marche/pause) .

Réglage des contrôles.



Add Time (Prolongation)

Appuyez sur ce bouton pour prolonger la durée des cycles **Steam Dewrinkle** (Vapeur défroissage),

Warm Up (Préchauffage), **Air Fluff** (Air froid) ou **Time Dry** (Séchage minuté) par incréments de 10 minutes.



Temp (Température)

Vous pouvez modifier la température de votre cycle de séchage.

High (Haute)	Pour les cotons normaux à lourds.
Medium (Moyenne)	Pour les synthétiques, les mélanges et les articles étiquetés sans repassage.
Low (Basse)	Pour les tissus délicats, synthétiques et les articles étiquetés Tumble Dry Low (séchage par culbutage à basse température).
Extra Low (Extra basse)	Pour la lingerie et les tissus délicats.
No Heat (Sans chaleur)	Cette option ne peut être utilisée qu'avec la commande Air Fluff (Air froid), par laquelle le culbutage des articles s'exécute sans chaleur.



Level (Niveau)

Le détecteur surveille en permanence le niveau d'humidité dans le linge. Quand l'humidité dans vos vêtements atteint le niveau de séchage que vous avez choisi, la sècheuse s'arrête.

REMARQUE : La détection du niveau d'humidité fonctionne seulement pour les cycles **Cottons** (Coton), **Normal** (Charge normale), **Active Wear** (Vêtements de sport), **Delicates** (Déliçats), **Speed Dry** (Séchage rapide), **Bulky** (Lingerie volumineuse), **Towels/Sheets** (Serviettes/draps), **Sanitize** (Sanitize) et **Steam Dewrinkle** (Vapeur défroissage).

Extra Dry (Extra sec) <i>(sur certains modèles)</i>	Utilisé pour les tissus résistants ou les articles qui ont besoin d'être très secs, comme par exemple les serviettes.
More Dry (Plus sec)	Utilisé pour les types de tissus lourds ou mélangés.
Dry (Sec)	Utilisé pour un niveau de séchage normal adapté à la plupart des brassées. C'est le cycle recommandé pour un fonctionnement en économie d'énergie.
Less Dry (Moins sec)	Utilisé pour les tissus plus légers (idéal pour le repassage).
Damp (Humide)	Pour laisser les articles partiellement humides.



My Cycle (Mon cycle)

Configurez votre propre combinaison de réglages et enregistrez-la ici pour ensuite la lancer d'une touche. Cette configuration personnalisée peut être définie pendant qu'un cycle est en cours.

Pour enregistrer une combinaison de réglages My Cycle (Mon cycle).

1. Sélectionnez un cycle de séchage.
2. Changez les réglages **Temp** et **Level** afin de répondre à vos besoins.
3. Sélectionnez toutes les options de séchage souhaitées.
4. Appuyez sur la touche **My Cycle (Mon cycle)** et maintenez-la enfoncée pendant trois secondes pour sauvegarder votre sélection. Un bip sonore retentit et le bouton s'allume.

Pour lancer votre combinaison My Cycle (Mon cycle) enregistrée :

Appuyez sur la touche **My Cycle (Mon cycle)** avant de sécher une brassée.

Pour modifier votre combinaison My Cycle (Mon cycle) enregistrée.

Répéter les étapes 1 à 4.

8



Steam Refresh Cycle (Vapeur rafraîchissante)

Pour des vêtements secs légèrement froissés. Réduit de façon significative les plis sur 5 vêtements. Après le cycle **Steam Refresh** (Vapeur rafraîchissante), l'unité émettra un bip et affichera 0 :00. Si l'unité n'est pas fermée ou si la porte n'est pas ouverte, la sècheuse continuera le culbutage pendant 30 minutes. À la fin des 30 minutes, il sera affiché 0 :00 et cycle terminé.

REMARQUE: Un seul article de tissu extrêmement léger peut nécessiter d'ajouter un article supplémentaire pour atteindre des résultats optimaux.

9

Detangle

Detangle (Démêlement) (sur certains modèles)

Demarre le culbutage alternatif avant et arrière afin de réduire le démêlement du linge, sécher plus uniformément et améliorer le temps de séchage. Les brassées typiques qui mélangent, par exemple, les articles de literie et de salle de bain tels que draps, serviettes et taies d'oreiller profiteront de cette fonctionnalité. Lorsque le mouvement de la sècheuse s'inverse, une légère pause et une modification sonore seront perceptibles. Ce phénomène est normal.

REMARQUE: Detangle (Démêlement) est sélectionné par défaut pour les cycles **Towels/Sheets** (Serviettes/Draps) et **Bulky/Bedding** (Literie Volumineuse).

10

eDry

eDry

Réduit la consommation totale d'énergie des cycles spécifiques de la sècheuse en ajustant certains réglages de température.

REMARQUE: Les durées de cycle changent lorsque e-Dry est sélectionné.

Ce caractéristiques peut être utilisé avec les tissus **Cottons** (Cotons), **Normal** (Normale), **Active Wear** (Vêtements de sport), **Delicates** (Déliçats), **Speed Dry** (Séchage rapide), **Bulky** (Literie volumineuse), **Towels-Sheets** (Serviettes/draps), **Sanitize** (Sanitize) and **Steam Dewrinkle** (Vapeur défroissage).

11

Ext Tumble

Extended Tumble (Culbutage prolongé)

Réduit les faux plis au maximum en ajoutant environ 60 minutes de culbutage sans chaleur une fois que les vêtements sont secs. L'avertisseur se fera entendre toutes les cinq minutes pour rappeler de retirer les vêtements ou autres textiles.

L'affichage du temps restant estimé indiquera « 0:00 ».

La prolongation du temps de culbutage ne s'ajoute pas à la durée de cycle affichée.

12

Damp Alert

Damp Alert (Alerte d'humidité)

Cette option fait sonner la sècheuse quand les vêtements ont été séchés jusqu'à un certain niveau d'humidité. Retirez les articles que vous souhaitez étendre pour sécher. **Damp Alert** (L'Alerte d'humidité) émet un bip lorsque cette option est sélectionnée, et la sècheuse continuera à sécher.

Le fait de retirer les vêtements et les étendre quand ils sont humides peut diminuer le besoin de repasser certains articles.

13

Delay Dry

Delay Dry
(Selon le modèle)

Delay Dry (Mise en séchage différée)




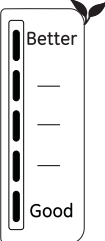


Utilisez pour retarder le démarrage de votre sècheuse.

1. Sélectionnez votre cycle de séchage et toutes les options.
2. Appuyez sur **Delay Dry** (Mise en séchage différée). Vous pouvez changer le délai d'attente par intervalles de 1 heure en utilisant le bouton **Delay Dry** (Mise en séchage différée).

3. Appuyez sur le bouton **Start/Pause** (Mise en Marche/Pause) pour lancer le compte à rebours.

REMARQUES: Si la porte est ouverte alors que la sècheuse est en mode **Delay Dry** (Mise en séchage différée), le compte à rebours ne redémarrera pas sauf si la porte est fermée et que le bouton **Delay Dry** (Mise en séchage différée) est à nouveau enfoncée.

Réglage des contrôles.

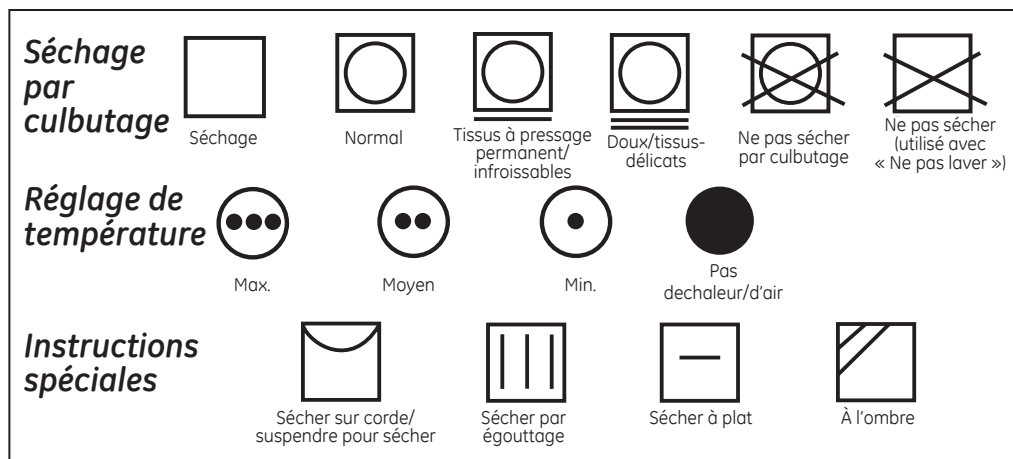
- 14** **Light** **Light (Lumière)** (sur certains modèles)

Appuyez sur le bouton pour allumer la lampe dans la sècheuse.
Appuyez sur le bouton à nouveau pour l'éteindre.
Ce bouton ne commande la lampe que lorsque la porte est fermée.
REMARQUE : La lampe s'éteindra d'elle-même au bout d'une minute une fois la porte fermée.
-
- 15** **Volume** **Volume (Volume)**

Ce bouton a deux fonctions :
■ Pour modifier l'intensité sonore du signal de fin de cycle, appuyez sur ce bouton autant de fois nécessaires afin d'atteindre l'intensité sonore désirée. Il y a quatre niveaux d'intensité incluant la sourdine.
■ Pour activer cette fonction, appuyez et maintenez le bouton ON/OFF (Marche/Arrêt) pendant 3 secondes (sur certains modèles).
-
- 16** **Lock Control** **Lock Control (Verrouillage de contrôle)**

Hold 3 Secs to Lock / Unlock
Vous pouvez verrouiller les contrôles pour empêcher tout choix de cycle, ou vous pouvez verrouiller les contrôles après avoir commencé un cycle.
Les enfants ne peuvent pas mettre accidentellement en marche la sècheuse en appuyant sur des touches quand vous choisissez cette option.
Pour verrouiller les contrôles de la sècheuse, appuyez sur le bouton **Lock Control** (Verrouillage de contrôle) et tenez-la appuyée pendant 3 secondes.
Pour déverrouiller les contrôles de la sècheuse, appuyez sur le bouton **Lock Control** (Verrouillage de contrôle) et tenez-la appuyée pendant 3 secondes.
Un son retentit pour indiquer l'état verrouillé/déverrouillé.
Le témoin au-dessus du bouton s'allumera une fois les commandes verrouillées.
NOTE : Vous pouvez encore utiliser le bouton **Power** (Alimentation) quand la machine est verrouillée.
-
- 17** **eMonitor** (sur certains modèles)

e Monitor
Les témoins lumineux de l'échelle de surveillance (**eMonitor**) indiquent la consommation relative d'énergie du cycle et options choisis. Ils servent de guide de consommation d'énergie et l'échelle s'étend de Good (Bon - 1 témoin) à Better (Meilleur - 5 témoins). Le cycle (durée), le niveau de séchage, la température et des options de culbutages supplémentaires peuvent augmenter ou diminuer l'efficacité énergétique. Certains cycles ne seront cependant pas affichés.
-
- 18** **Clean Filter** **Message de filtre à nettoyer**

Ce message se veut seulement un rappel et il n'apparaît **pas** toujours lorsque le filtre nécessite un nettoyage. Le filtre devrait être nettoyé après chaque cycle de séchage.
Une pression sur le bouton **Start/ Pause** (Mise en marche/pause) fera disparaître le message. Même si le filtre a déjà été nettoyé (avant ou après avoir appuyé sur le bouton **Power** (Alimentation)), le message « **Clean Filter** » (Nettoyer le filtre) ne disparaîtra que sur pression du bouton **Start/Pause** (Mise en marche/pause).
-
- 19** **Écran**

Affiche le temps restant approximatif jusqu'à la fin du cycle.
Au début du cycle, vous verrez la durée totale approximative du cycle sur l'afficheur.
Puis les témoins vont se mettre à « courser » sur l'afficheur. Cela indique que la sècheuse surveille constamment le niveau d'humidité de la brassée. Les témoins continueront de s'activer jusqu'à ce que la sècheuse détecte un bas niveau d'humidité dans la brassée. À ce stade, la sècheuse calculera et affichera le temps restant approximatif.

Suivez toujours l'étiquette du fabricant de tissus pour laver.

Étiquettes d'entretien de tissu

Ci-dessous figurent les « symboles » des étiquettes d'entretien de tissu qui concernent le linge à sécher.

SÉCHAGE



Conseils pour le tri et le chargement

AVERTISSEMENT - Risque d'incendie

- Gardez les matières et les vapeurs inflammables telles que l'essence à distance de la sècheuse.
- **NE** séchez **AUCUN** article qui a déjà reçu une matière inflammable (même après le lavage).
- Aucune laveuse ne peut éliminer l'huile totalement.
- **NE** séchez **AUCUN** article qui a déjà reçu un type d'huile quelconque (y compris les huiles de cuisson).
- Les articles qui comportent de la mousse, du caoutchouc ou du plastique doivent sécher sur une corde à linge.
- Le non-respect de ces instructions pourrait entraîner la mort, l'explosion ou l'incendie.

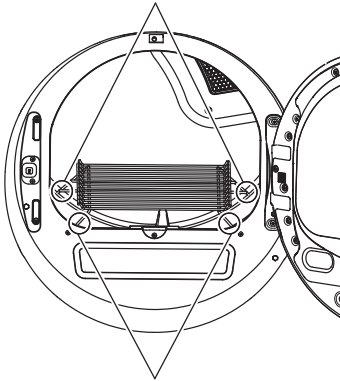
En règle générale, lorsque les vêtements sont correctement triés pour le lavage, ils le sont aussi pour le séchage. Essayez aussi de trier les articles en fonction de leur taille. Par exemple, ne séchez pas un drap avec des chaussettes ou d'autres petits articles.

N'ajoutez pas votre feuille d'assouplissant textile lorsque la brassée a commencé à chauffer, car elle risque de provoquer des taches d'assouplissant. Les feuilles d'assouplissant de tissu Bounce^{MD} pour sècheuses ont été approuvées pour cette sècheuse si elles sont utilisées conformément aux instructions du fabricant.

Ne surchargez pas. Ceci consomme inutilement de l'énergie et cause des faux plis.

À propos des caractéristiques de la sècheuse.

Appuyer les pattes arrière sur le rebord angulaire arrière



Appuyer les pattes arrière sur le rebord angulaire arrière

Grille de séchage (sur certains modèles)

Utilisez une grille de séchage pour sécher les articles délicats, par exemple, les chandails lavables. Placez les articles à plat sur la grille de séchage, en mettant de côté les chandails en laine et les tissus délicats. Séchez à faible chaleur.

Pour installer la grille de séchage, la déployer à l'intérieur du tambour de la sècheuse. Appuyez les deux pattes avant sur le rebord angulaire avant, puis les deux pattes arrière sur le rebord angulaire arrière.

REMARQUES :

- La grille de séchage est conçue pour une utilisation avec les programmes de **Time Dry** (Séchage minuté). L'utilisation de la grille avec un programme de séchage par capteur peut augmenter la durée des programmes ou conserver l'humidité dans les articles.
- N'utilisez pas la grille de séchage lorsque d'autres vêtements dans la sècheuse ne sont pas disposés sur la grille.
- La grille de séchage, WE01X22274, est disponible en tant qu'accessoire. Commandez en ligne à **GEApplianceParts.com**, 24 heures par jour ou par téléphone au **800.661.1616** pendant les heures normales de travail.

Extérieur de la sècheuse : Essuyez ou époussetez tout déversement ou produit de lavage avec un chiffon humide. Le panneau de commande de la sècheuse peut être endommagé par certains détergents et produits détachants. Appliquez ces produits loin de la sècheuse. Le tissu peut ensuite être lavé et séché normalement. Les dommages causés par ces produits ne sont pas couverts par la garantie de votre sècheuse.

Filtre à charpie : Nettoyez le filtre à charpie avant chaque utilisation.

Tirez le filtre à charpie. Mouillez vos doigts et retirez la charpie. Une fois qu'il a été nettoyé, glissez le filtre dans sa position. Demandez à un technicien qualifié d'aspirer la charpie de la sècheuse une fois par année.

N'UTILISEZ JAMAIS LA SÈCHEUSE SANS FILTRE.

Acier inoxydable : Pour nettoyer les surfaces en acier inoxydable, utilisez un chiffon humide et un détergent doux non abrasif convenant aux surfaces en acier inoxydable. Retirez les résidus de produit nettoyant, puis séchez-les avec un chiffon propre.

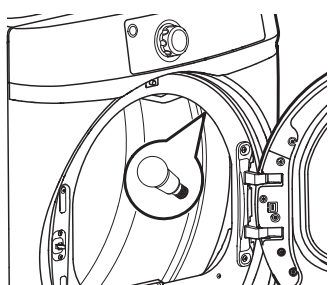
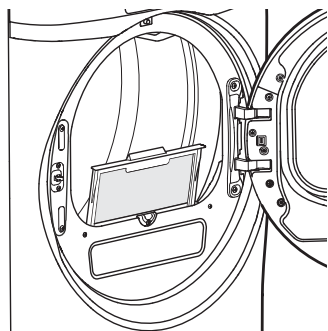
L'acier inoxydable utilisé pour la fabrication du tambour de la sècheuse vous offre la meilleure fiabilité possible dans une sècheuse GE Appliances. Si le tambour de la sècheuse venait à être marqué ou rayé en cours d'usage normal, il ne rouillerait pas. Ces dommages superficiels n'affecteront pas sa durabilité ni son fonctionnement.

Intérieur et conduit de la sècheuse :

L'intérieur de l'appareil et le conduit d'évacuation doivent être généralement confiés à un technicien qualifié.

Conduit d'évacuation : Inspectez et nettoyez le conduit d'évacuation au moins une fois par année afin d'éviter qu'il se bouche. La durée de séchage peut être augmentée lorsque l'évacuation est bouchée.

Hotte d'évacuation : Vérifiez avec un miroir que les battants intérieurs se déplacent sans difficulté au cours de l'utilisation. Vérifiez qu'il n'y a pas d'animaux ou d'insectes qui ont fait leur nid dans le conduit ou la hotte.



Éclairage du tambour

(peut être remplacée par le consommateur sur certains modèles)

REMARQUE : La lampe du tambour ne peut pas être remplacée par le consommateur sur les modèles où il y a un couvercle en forme de dôme sur une ampoule LED. Si cette lampe venait à cesser de fonctionner, communiquez avec une entreprise de réparation.

Pour les modèles qui ont un couvercle plat sur une ampoule, fixé par une vis :

Avant de remplacer l'ampoule, assurez-vous de débrancher le cordon d'alimentation de la sècheuse ou de déconnecter la sècheuse du tableau de distribution de votre domicile (fusible ou disjoncteur). Penchez-vous au-dessus de l'ouverture de la sècheuse vers l'intérieur du tambour pour localiser le couvercle plat.

Retirez la vis et le couvercle en plastique pour accéder à l'ampoule. Remplacer par une ampoule appropriée, puis apposer de nouveau le couvercle et la vis.

Commandez en ligne une ampoule de rechange **WE4M305** sur www.electromenagersge.ca, par téléphone au **1-800.561.3344** durant les heures normales d'affaire, ou procurez-vous une ampoule modèle **7C7** chez votre détaillant.

La lampe dans le tambour s'allume automatiquement quand la porte de la sècheuse est ouverte. Sur certains modèles, elle peut également être activée à partir du panneau de contrôle.

Instructions d'installation

Sécheuse

Si vous avez des questions, appelez GE Appliances 800.GE.CARES ou visitez notre site web: www.GEAppliances.com
Au Canada, appelez le 1.800.561.3344 ou visitez www.electromenagersge.ca

AVANT DE COMMENCER

Lisez attentivement ces instructions dans leur intégralité.

- **IMPORTANT** – Gardez ces instructions pour l'usage de l'inspecteur électrique local.
- **IMPORTANT** – Observez toutes les réglementations et ordonnances en vigueur.
- Installez la sécheuse conformément aux instructions du fabricant et aux réglementations locales.
- **Remarque pour l'installateur** – Assurez-vous de laisser ces instructions au client.
- **Remarque pour le consommateur** – Gardez ces instructions à titre de référence ultérieure.
- L'installation de la sécheuse doit être effectuée par un installateur qualifié.
- Cette sécheuse **doit** être mise à l'évent à l'extérieur.
- Retirez la porte de la vieille sécheuse avant de la mettre au rebut ou hors service.
- Les renseignements d'entretien et le schéma de câblage se trouvent dans la console de commande.
- Ne laissez pas les enfants monter sur l'appareil ou entrer dans celui-ci. Une surveillance étroite des enfants doit être exercée lorsque l'appareil est utilisé à leur proximité.
- La responsabilité d'installer correctement l'appareil relève de l'installateur.
- Toute défaillance de l'appareil suite à une installation incorrecte n'est pas couverte par la garantie.
- Installez la sécheuse là où la température est supérieure à 10 C (50 F) pour assurer le bon fonctionnement du système de commande de la sécheuse.
- Retirez et jetez les conduits en feuille métallique ou en plastique existants et remplacez-les par un conduit homologué UL.

AVERTISSEMENT - Risque d'incendie

- L'installation de la sécheuse doit être effectuée par un installateur qualifié.
- Installez la sécheuse conformément aux instructions du fabricant et aux réglementations locales.
- N'installez **PAS** de sécheuse avec des conduits en plastique flexible. Si un conduit métallique flexible (semi-rigide ou du type feuille métallique) est installé, il doit être homologué UL et installé conformément aux instructions figurant dans "Connecter la sécheuse à l'évent de la maison" de ce manuel. Les conduits flexibles ont tendance à s'affaisser, à être facilement écrasés et à piéger la charpie. Ces conditions bouchent le débit d'air de la sécheuse et augmentent le risque d'incendie.
- N'installez et ne remisez **PAS** cet appareil dans un lieu où il peut être exposé à l'eau ou intempéries.
- Pour réduire le risque de blessure grave, voire de mort, suivez toutes les instructions d'installation.
- Gardez ces instructions. (Installateurs: Assurez-vous de laisser ces instructions au client.)

SÉCHEUSES À GAZ SEULEMENT

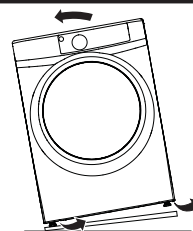
DANS LE COMMONWEALTH DU MASSACHUSETTS, LES INSTRUCTIONS D'INSTALLATION SUIVANTES SONT APPLICABLES :

- Ce produit doit être installé par un plombier ou un monteur d'installations au gaz licencié.
- Si vous utilisez des robinets d'arrêt du gaz à bille, ils doivent avoir une poignée en T.
- Si vous utilisez un raccord de gaz flexible, il ne doit pas dépasser 1 m (3 pieds).

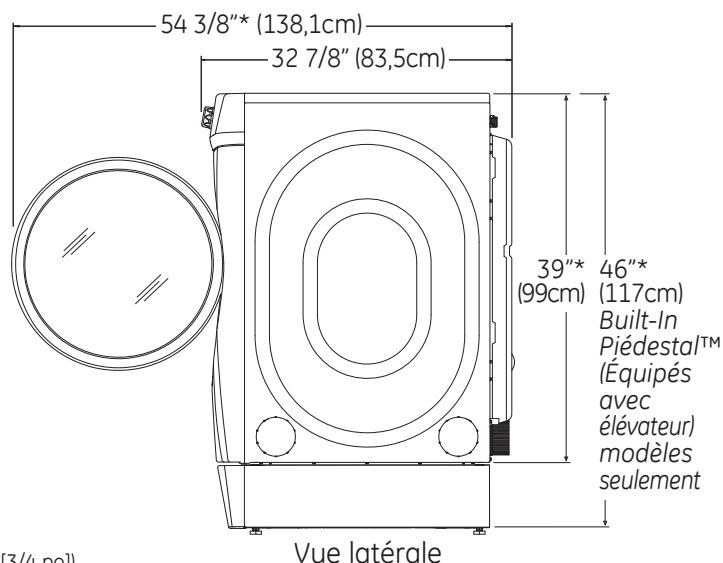
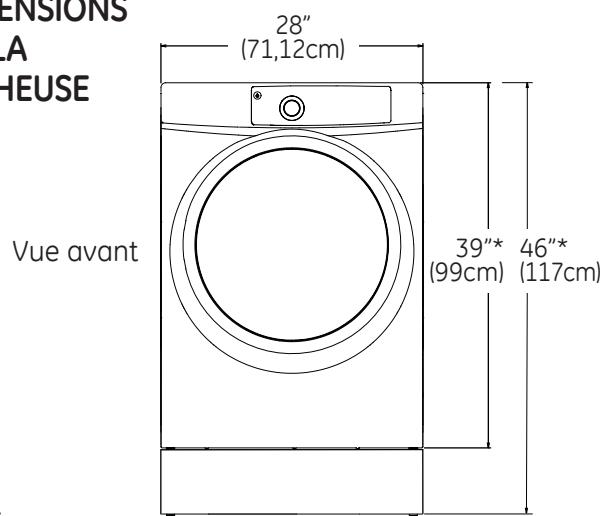
Instructions d'installation

DÉBALLAGE DE VOTRE SÉCHEUSE

Inclinez la sècheuse latéralement et enlevez les coussinets d'expédition en mousse en les poussant sur les côtés et en les détachant des pattes de la sècheuse. Assurez-vous d'enlever toutes les pièces en mousse autour des pattes. Enlevez le sac contenant la documentation.



DIMENSIONS DE LA SÉCHEUSE



***NOTE :**

Avec les pattes de nivellement : 40 1/2 po (102,5 cm) - (réglable de 1,9 cm [3/4 po])

Avec élévateur Built-In Piédestal™ : 46 po (117 cm) - (réglable de 1,9 cm [3/4 po])

Avec piédestal optionnel (GFXP1308) : 52 po (132,1 cm) - (réglable de 1,9 cm [3/4 po])

Superposé : 78 1/4 po (198,8 cm) - Non applicable pour les modèles avec piédestal intégré™

FLEXIBLES D'EAU OU DE VAPEUR :

GE Appliances recommande vivement l'utilisation de pièces spécifiées par le fabricant. Ces flexibles sont fabriqués et essayés de façon à satisfaire aux spécifications de GE Appliances.

GE Appliances recommande vivement l'utilisation de flexibles d'alimentation d'eau neufs. Les flexibles se détériorent avec le temps et ils doivent être remplacés tous les 5 ans afin de réduire le risque de défaillance ou de dégât d'eau.

Pièces et accessoires

Commandez en ligne sur www.electromenagersge.ca 24 heures sur 24 ou en téléphonant au **1-800 561-3344** durant les heures normales d'affaire.

No. de pièce	Accessoire
WE25X20060 OU	Ensemble complet (flexibles, rondelles d'adaptateur en Y) (inclus)
WH41X10356	Flexible long et
WH41X10357	Flexible court

CORDONS D'ALIMENTATION :

GE Appliances recommande vivement l'utilisation de pièces spécifiées par le fabricant. Choisissez un cordon d'alimentation qui correspond aux exigences de votre installation.

No de pièce	Type	Longueur	Intensité de courant
WX9X2	3-Trifilaire	4 Pied	30
WX9X3	3-Trifilaire	5 Pied	30
WX9X4	3-Trifilaire	6 Pied	30
WX9X18	4-Trifilaire	4 Pied	30
WX9X19	4-Trifilaire	5 Pied	30
WX9X20	4-Trifilaire	6 Pied	30

ACCESSORIES:

Commandez en ligne sur www.electromenagersge.ca 24 heures sur 24 ou en téléphonant au **1-800 561-3344** durant les heures normales d'affaire.

No. de pièce	Accessoire
GFP1328SK	Piédestal blanc de 28" de large
GFP1328PK	Piédestal gris diamant de 28" de large
GEFLSTACK	Kit d'empilage d'une sècheuse sur une laveuse
PM08X10085	Conduit flexible de transition de métal pour sècheuses
WE01X22274	Étagère de sècheuse pour souliers

Instructions d'installation

EXIGENCES RELATIVES À UNE INSTALLATION ENCASTRÉE

AVERTISSEMENT - Risque d'explosion

Gardez les matières et les vapeurs inflammables telles que l'essence à distance de la sécheuse.

Placez la sécheuse à au moins 46 cm (18 po) au-dessus du sol dans le cas d'une installation dans un garage.

L'omission de prendre ces précautions peut provoquer la mort, l'explosion ou l'incendie.

- L'air de la sécheuse DOIT être évacué vers l'extérieur.
- L'espace minimum entre la sécheuse et les murs adjacents ou d'autres surfaces est le suivant:
 - 0 mm (0 po) des deux côtés
 - 2,54 mm (1 po) avant et arrière
 - 2,54 mm (1 po) haut
- Il faut veiller à procurer le dégagement nécessaire à l'installation et aux interventions de service.
- Les portes du placard doivent être perforées ou bien ventilées et disposer d'au moins 150 cm² (60 pouces carrés) d'espace. Si le placard abrite une laveuse et une sécheuse, les portes doivent disposer de 3 m² (120 pouces carrés) au minimum d'espace ouvert.

REMARQUE: SI LE TUYAU D'ÉVACUATION EST SITUÉ À L'ARRIÈRE DE LA SÉCHEUSE, LA CONFIGURATION DU TUYAU POURRAIT DEMANDER UNE DÉGAGEMENT EN ARRIÈRE PLUS GRANDE QUE 3 POUÇES.

Sécheuses à gaz seulement.

- Aucun autre appareil alimenté au carburant ne doit être installé dans le même placard qu'une sécheuse à gaz.
- La sécheuse doit être débranchée de la conduite d'alimentation en gaz lors des essais de pression lorsque celle-ci est supérieure à ½ psi (3,5 kPa).
- Un connecteur obturé d'un minimum de 1/8 pouce NPT, accessible pour la connection de l'instrument de mesure, doit être posé tout juste en amont de la connection de l'alimentation en gaz de la sécheuse.

DÉGAGEMENTS MINIMUMS AUTRES QUE POUR UNE INSTALLATION ENCASTRÉE

Les dégagements minimums par rapport aux surfaces inflammables et pour l'orifice d'aération sont les suivants : 0 po des deux côtés, 25 mm (1 po) à l'arrière et 25 mm (1 po) haut. Veillez à prévoir des dégagements suffisants pour toute installation et réparation.

INSTALLATION DANS UNE MAISON MOBILE OU PRÉFABRIQUÉE

- Installation DOIT être conforme à la NORME DE SÉCURITÉ POUR LA CONSTRUCTION DE MAISONS FABRIQUÉES, TITRE 24, PARTIE 3280 ou NORME POUR DES MAISONS MOBILES CAN/CSA-Z240 MH, ou, si la norme n'est pas applicable, à la NORME NATIONALE AMÉRICAINE POUR LES MAISONS MOBILES ANSI/NFPA N° 501B.
- L'air de la sécheuse DOIT être évacué vers l'extérieur.
- L'évent d'évacuation DOIT être fixé d'une façon sécuritaire à une partie non combustible de la maison mobile.
- La ventilation NE DOIT PAS déboucher sous une maison mobile ou fabriquée.
- Le matériau du tuyau de ventilation DOIT ÊTRE LE MÉTAL.
- L'ensemble 14-D346-33 DOIT être utilisé pour raccorder la sécheuse à la structure.
- La ventilation NE DOIT PAS être raccordée à tout autre tuyau, évent ou cheminée.
- N'utilisez **PAS** de vis à tôle ni d'autres dispositifs de serrage qui dépassent à l'intérieur de l'évent d'évacuation.
- Prévoyez une ouverture dotée d'une zone ouverte de 63 cm² (25 pouces carrés) pour l'infiltration d'air extérieur dans de la sécheuse chambre.
- Voir la section pour des renseignements sur la connexion électrique.

Instructions d'installation

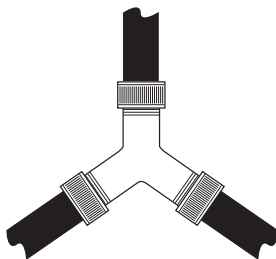
BRANCHEMENT DES BOYAUX D'ARRIVÉE

BRANCHEMENT DES BOYAUX D'ARRIVÉE

Pour produire de la vapeur, la sècheuse doit être branchée à une alimentation d'eau froide. Puisque la laveuse doit aussi être branchée à une alimentation d'eau froide, un connecteur en « Y » est inséré, afin de permettre aux boyaux d'arrivée d'être brancher au même moment.

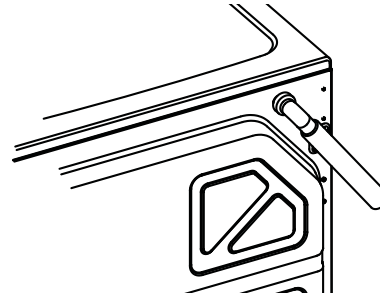
REMARQUE: Utilisez des tuyaux d'entrée nouveaux ; n'utilisez jamais de vieux tuyaux.

1. Fermez le robinet d'eau froide. Débranchez le boyau d'arrivée du connecteur du robinet de remplissage (froid).
2. Assurez-vous que la rondelle plate en caoutchouc est en place et attachez le raccord femelle du tuyau court fournis au connecteur du robinet de remplissage de la laveuse. Resserrez à la main jusqu'à ce qu'il soit bien serré. Resserrez à la main jusqu'à ce qu'il soit bien serré.
3. Raccordez une extrémité mâle du connecteur en « Y » à l'autre raccord femelle du boyau court. Assurez-vous que la rondelle plate en caoutchouc est en place. Resserrez à la main jusqu'à ce qu'il soit bien vissé.



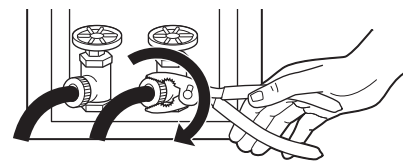
4. Insérez la grille de filtre dans le raccord du boyau d'arrivée de la **laveuse**. Si une rondelle plate en caoutchouc est déjà en place, retirez-la avant d'installer la grille de filtre. Raccordez ce raccord à une extrémité mâle du connecteur en « Y ». Resserrez à la main jusqu'à ce qu'il soit bien serré.
5. Assurez-vous que la rondelle plate en caoutchouc est en place et raccordez le tuyau d'arrivée de 4 à 6 pieds (il est possible qu'il soit nécessaire de l'acheter séparément) à une extrémité mâle du connecteur en « Y ». Resserrez à la main jusqu'à ce qu'il soit bien serré.
6. Assurez-vous que la rondelle plate en caoutchouc est en place et raccordez l'autre extrémité du boyau d'arrivée long de la **sècheuse** au connecteur du robinet de remplissage dans le bas du panneau arrière de la sècheuse. Resserrez à la main jusqu'à ce qu'il soit bien serré.

BRANCHEMENT DES BOYAUX D'ARRIVÉE (suite)



7. En utilisant des pinces, resserrez toutes les connexions avec un tour au deux-tiers.

REMARQUE: Ne pas trop serrer. Vous pourriez endommager les connexions.



8. Ouvrez le robinet d'eau.
9. Vérifiez l'absence de fuites autour du connecteur en « Y », du robinet et des raccords de boyau.

EXIGENCES DE L'ALIMENTATION D'EAU

Les robinets d'eau chaude et d'eau froide DOIVENT être installés à une distance d'au moins 42 po (107 cm) du boyau d'eau de la laveuse. Les robinets DOIVENT être de type boyau de jardin de 3/4 po (1,9 cm) pour que les boyaux d'arrivée puissent être branchés. La pression de l'eau DOIT être entre 10 et 120 livres par pouce carré. Votre département d'eau peut vous laisser savoir ce qu'est votre pression d'eau.

REMARQUE: Un adoucisseur d'eau est recommandé pour réduire l'accumulation de dépôt à l'intérieur du générateur de vapeur si l'alimentation d'eau de la maison est très dure.

Instructions d'installation

RACCORDEMENT D'UNE SÈCHEUSE À GAZ

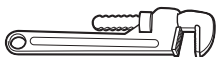
(Sauter s'il s'agit des sècheuses à gaz ou si votre sècheuse possède déjà un cordon d'alimentation fourni)

OUTILS NÉCESSAIRES

- Clés à molette (2) 10 po



- Clé à tuyau 8 po



- Pince à joint coulissant



- Tournevis à tête plate



- Niveau



MATÉRIEL NÉCESSAIRE

- Coude métallique 4 po de diamètre



- Mastic ou PTFE ruban pour joints de tuyaux



- Tuyau de raccordement souple



- Colliers de conduit (2) ou brides à ressort (2)



- Lunettes de protection



- Tuyau métallique 4 po de diamètre (recommandé)



- Plaque de couverture de 4 pouces (Kit WE49X22606)



- Tuyau métallique souple 4 po de diamètre (si nécessaire)



- Gants



- Solution savonneuse pour la détection de fuites



- Évent d'évacuation



- Ruban adhésif



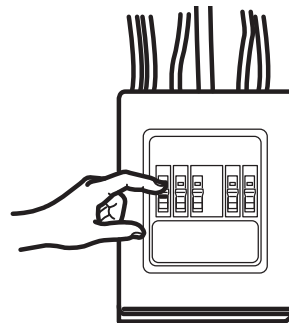
- Gaz adaptateur (2), elbow, un coude et obturateur



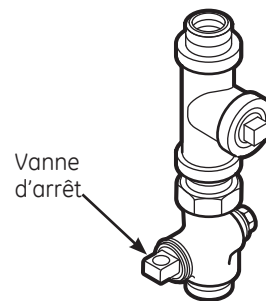
- Tuyau de 4-6 pieds (sur certains modèles)



- Avant de démarrer l'installation, déclenchez le disjoncteur ou enlevez le fusible de la sècheuse au panneau de distribution électrique. Assurez-vous que le cordon d'alimentation de la sècheuse est débranché de la prise murale.



- Fermez la vanne d'arrêt du gaz de la sècheuse de la conduite d'alimentation.



- Démontez et jetez l'ancien connecteur de gaz flexible et l'ancien conduit.



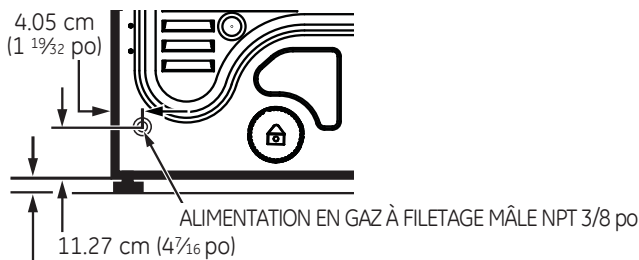
Instructions d'installation

EXIGENCES RELATIVES AU GAZ

⚠ AVERTISSEMENT - Risque d'explosion

- Utilisez une conduite de gaz flexible neuve, homologuée CSA International. Ne réutilisez jamais des connecteurs flexibles qui ont déjà servi.
 - Installez une vanne manuelle d'arrêt individuelle à l'intérieure de 6 pieds de la sècheuse conformément au Code National du Gaz Combustible, ANSI Z223.1 / NFPA 54.
 - Serrez fermement tous les raccords de gaz.
 - Si l'alimentation consiste en du gaz liquéfié, demandez à un technicien agréé de confirmer que la pression de gaz **N'**excède pas 33 cm (13 po) de la colonne d'eau.
 - Un technicien agréé peut provenir d'une entreprise spécialisée en chauffage, fourniture de gaz ou réparation.
 - L'omission de prendre ces précautions peut provoquer la mort, l'explosion ou l'incendie.
- L'installation doit être conformes aux normes des codes locaux ou, en leur absence, avec la norme ANSI Z223.1/NFPA 54 du National Fuel Gas Code ou CSA B149.1 du Natural Gas and Propane Installation Code.

RACCORDEMENT DE L'ALIMENTATION EN GAZ DE LA SÈCHEUSE



REMARQUE: Ajoutez à la dimension verticale la distance entre le fond de la carrosserie et le sol.

Vous devez utiliser un connecteur flexible en métal certifié par ANSI Z21.24/CSA 6.10. La longueur du connecteur ne doit pas excéder 3 pieds.

ALIMENTATION EN GAZ

- Un robinet de raccordement à filetage National Pipe Taper 3,2 mm (1/8 po), accessible pour le raccordement d'un manomètre, doit être installé immédiatement en amont du raccord d'alimentation en gaz de la sècheuse. Contactez votre service de gaz local si vous avez des questions sur l'installation d'un robinet de raccordement.
- La conduite d'alimentation doit être composée d'un tube rigide de 12,7 mm (1/2 po) et équipée d'une vanne d'arrêt à moins de 1,8 m (6 pieds) de la sècheuse et dans la même pièce.
- Utilisez un mastic d'étanchéité approprié au gaz naturel ou au gaz de pétrole liquéfié ou utilisez du ruban PTFE.
- Raccordez le tuyau de raccordement métallique souple à la sècheuse et à l'alimentation en gaz.

⚠ AVERTISSEMENT - Risque d'incendie

POUR UNE UTILISATION AVEC GAZ NATUREL SEULEMENT

La sècheuse, telle que produite par le fabricant, doit être utilisée uniquement avec une alimentation en gaz naturel. Pour convertir cette sècheuse au gaz propane il est nécessaire un kit de conversion fourni par le fabricant. Utilisez le kit propane de conversion de gaz WE25M87. La conversion doit être effectuée par du personnel formé et qualifié conformément aux codes et règlements locaux.

AJUSTEMENT DÛ À L'ÉLÉVATION

- Le flux d'entrée des sècheuses à gaz est ajusté pour une opération au niveau de la mer et n'a pas besoin d'être ajusté pour une opération à 2000 pieds d'altitude ou moins. Pour une opération au dessus de 2000 pieds d'altitude, le flux d'entrée doit être réduit à une fréquence de 4 pourcent par 1000 pieds au dessus du niveau de la mer.
- L'installation doit être conforme aux codes locaux ou, si en absence de ces codes, le « NATIONAL FUEL GAS CODE, ANSI Z223 ».

Instructions d'installation

RACCORDEMENT D'UNE SÉCHEUSE À GAZ (suite)

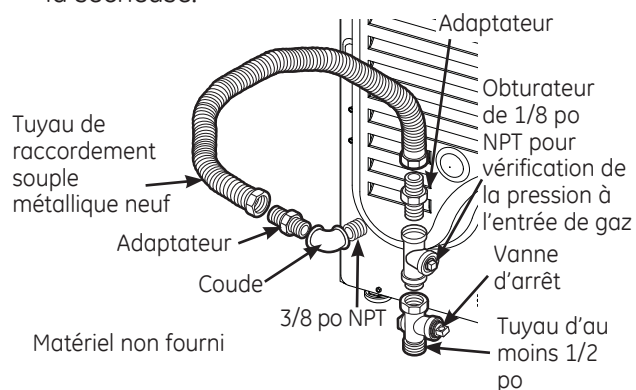
RACCORDEMENT DE LA SÉCHEUSE À L'ALIMENTATION EN GAZ

- A** Installez un coude femelle 3/8 po NPT à l'extrémité du raccord d'entrée de gaz de la sécheuse.

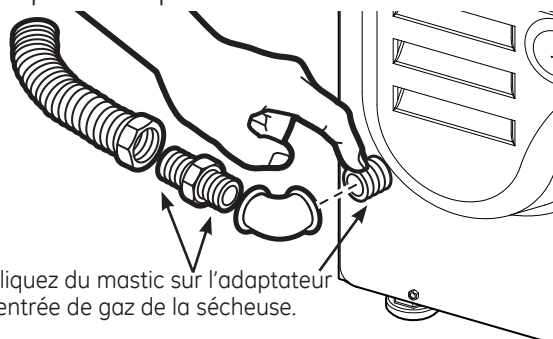
Installez un raccord adaptateur 3/8 po sur le coude femelle.

IMPORTANT: Utilisez une clé à tuyau pour tenir fermement l'extrémité du raccord d'entrée de gaz de la sécheuse pour éviter de l'endommager.

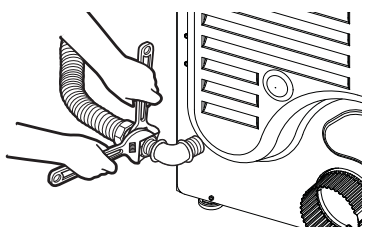
REMARQUE: Appliquez un mastic d'étanchéité ou du ruban PTFE sur les filetages de l'adaptateur et du raccord d'entrée de gaz de la sécheuse.



- B** Fixez le tuyau de raccordement métallique souple à l'adaptateur.



- C** Serrez le raccord du tuyau de raccordement souple à l'aide de deux clés à molette.

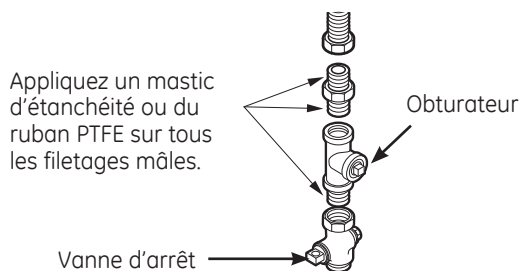


RACCORDEMENT DE LA SÉCHEUSE À L'ALIMENTATION EN GAZ (suite)

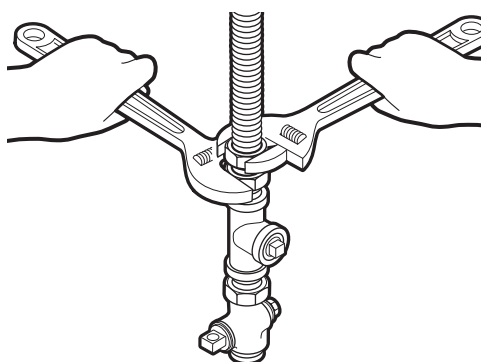
- D** Installez un obturateur 1/8 po NPT sur la vanne d'arrêt de la ligne de gaz de la sécheuse pour vérifier la pression d'entrée du gaz.

Installez un raccord adaptateur à l'obturateur.

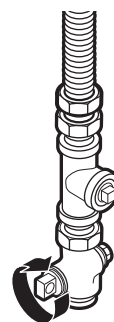
REMARQUE: Appliquez un mastic d'étanchéité ou du ruban PTFE sur les filetages de l'adaptateur et de l'obturateur.



- E** Serrez tous les raccords à l'aide des deux clés à molette. **Ne serrez pas trop fort.**



- F** Ouvrez la vanne d'arrêt de gaz.



Instructions d'installation

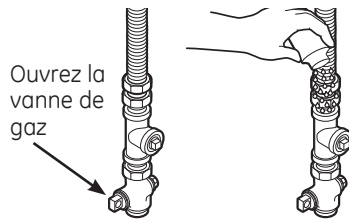
DÉTECTION DES FUITES

N'utilisez jamais une flamme nue pour vérifier la présence de fuites de gaz.

Contrôlez la présence de fuites sur tous les raccords avec une solution savonneuse ou similaire.

Appliquez une solution savonneuse. La solution de détection des fuites ne doit pas contenir d'ammoniaque, ce qui pourrait endommager les raccords en laiton.

Si des fuites sont détectées, fermez la vanne, resserrez le raccord en cause et répétez la procédure de détection de fuites.



INFORMATIONS DE BRANCHEMENT ÉLECTRIQUE POUR LES SÉCHEUSES À GAZ

⚠ AVERTISSEMENT  - Risque d'électrocution

Brancher l'appareil dans une prise à 3 broches mise à la terre.

NE PAS enlever la broche de mise à la terre.

N'UTILISEZ pas de rallonge électrique.

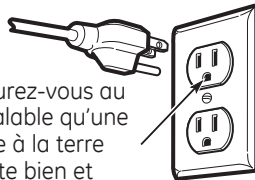
N'UTILISEZ pas d'adaptateur de prise.

L'omission de prendre ces précautions peut provoquer la mort, l'explosion ou l'incendie.

- Circuit – individuel, correctement polarisé et mise à la terre, disjoncteur de 15 ou 20 ampères ou fusible à temporisation.
- Alimentation - 2 fils plus la terre, 120 Volt, monophasé, 60 Hz, courant alternatif.

- Réceptacle sortie - Réceptacle à 3 broches correctement mise à la terre, doit être placé de telle manière que le cordon d'alimentation soit accessible lorsque la sècheuse est installée dans sa position finale. Si le circuit a un réceptacle à 2 broches, c'est la responsabilité du propriétaire de le faire remplacer par un réceptacle à 3 broches correctement mise à la terre par un électricien agréé.

Assurez-vous au préalable qu'une mise à la terre existe bien et qu'elle fonctionne correctement.



INFORMATIONS DE BRANCHEMENT ÉLECTRIQUE POUR LES SÉCHEUSES À GAZ (suite)

- La sècheuse doit être mise à la terre conformément aux codes locaux et ordonnances, ou, en l'absence de tels codes, à la dernière édition du Code National Electrique, ANSI / NFPA NO. 70 ou du Code canadien de l'électricité, CSA C22.1. Vérifiez auprès d'un électricien agréé si vous n'êtes pas sûr que la sècheuse est correctement mise à la terre.

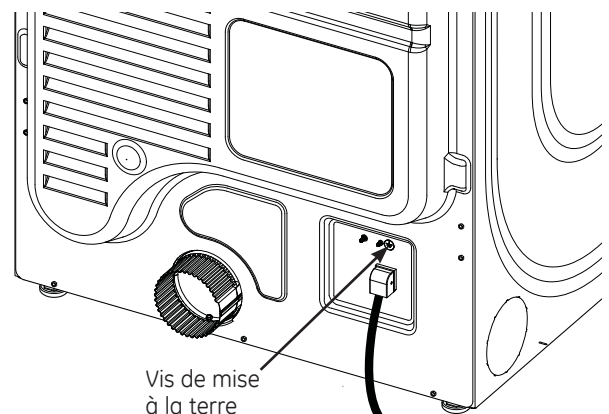
INSTRUCTIONS DE MISE À LA TERRE

Cette sècheuse doit être mise à la terre. Dans l'éventualité d'un mal fonctionnement ou d'une panne, la mise à la terre réduit le risque de choc électrique en procurant un circuit de moindre résistance au courant électrique. Cette sècheuse utilise un cordon doté d'un conducteur de mise à la terre de l'appareillage et d'une fiche de mise à la terre. La fiche doit être branchée dans une prise compatible correctement installée et mise à la terre conformément à tous les codes et règlements en vigueur.

⚠ AVERTISSEMENT Une connexion incorrecte du conducteur de mise à la terre de l'appareillage peut poser un risque de choc électrique. Consultez un électricien ou réparateur qualifié si vous doutez que l'appareil soit correctement mis à la terre. **NE modifiez PAS** la fiche du cordon d'alimentation. Si elle ne s'insère pas dans la prise, demandez à un électricien agréé de poser une prise appropriée.

CONSERVEZ CES INSTRUCTIONS

- Si les codes locaux l'exigent, vous pouvez ajouter un fil en cuivre externe de mise à la terre de calibre 18 ou plus. Fixez ce fil à l'arrière du cabinet de la sècheuse avec une vis de tôle # 8-18 x 1/2 " (disponible à toute quincaillerie) tel qu'illustré.



Instructions d'installation

RACCORDEMENT D'UNE SÉCHEUSE ÉLECTRIQUE (non applicable aux sècheuses à gaz)

OUTILS NÉCESSAIRES

- Pince à joint coulissant



- Tournevis à tête plate



- Tournevis cruciforme



- Niveau



MATÉRIEL NÉCESSAIRE

- Coude métallique 4 po diamètre



- Réducteur de tension 3/4 po (UL)



- Colliers de conduit 4 po (2) ou brides à ressort 4 po (2)



- Lunettes de protection



- Tuyau métallique 4 po de diamètre (recommandé)



- Tuyau métallique souple 4 po de diamètre (si nécessaire)



- Gants



- L'évent d'évacuation

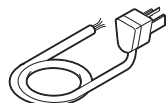


- Ruban adhésif



- Cordon d'alimentation de la sècheuse (non livré avec l'appareil)

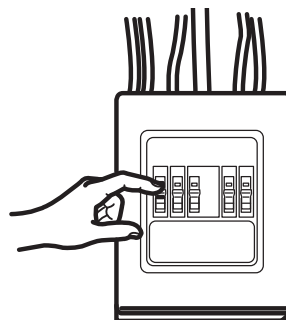
Conforme à la norme UL 120/240 V, 30 A avec 3 ou 4 broches. Identifiez le type de fiche selon la prise murale de votre domicile avant d'acheter le cordon



- Plaque de couverture de 4 pouces (Kit WE49X22606)



Avant d'effectuer le branchement électrique, déclenchez le disjoncteur ou enlevez le fusible de la sècheuse au panneau de distribution électrique. Assurez-vous que le cordon d'alimentation de la sècheuse est débranché de la prise murale. NE LAISSEZ JAMAIS LE CAPOT DE LA PLAQUE À BORNES ENLEVÉ.



Instructions d'installation

RENSEIGNEMENTS SUR LES RACCORDS ÉLECTRIQUES POUR SÉCHEUSES ÉLECTRIQUES

Pour les branchements électriques utilisant un cordon d'alimentation :

AVERTISSEMENT - Risque d'incendie

Utilisez un cordon d'alimentation de 240 V 30 ampères homologué UL pour sècheuse avec cosses à anneau fermées ou cosses fermées aux extrémités renversées.

Utilisez un réducteur de tension homologué UL.

Débranchez l'alimentation avant d'effectuer des connexions électriques.

Connectez le fil neutre (le fil blanc ou central) sur la borne centrale.

Le fil de terre (fil vert ou à nu) doit être branché à un connecteur de terre vert.

Connectez les deux autres fils d'alimentation sur les deux bornes correspondantes.

Serrez fermement toutes les connexions électriques.

Remplacez le couvercle du bloc des bornes.

L'omission de prendre ces précautions peut provoquer la mort, l'explosion ou l'incendie.

INSTRUCTIONS DE MISE À LA TERRE

Pour une sècheuse branchée par cordon mis à la terre : Cette sècheuse doit être mise à la terre. Dans l'éventualité d'un mal fonctionnement ou d'une panne, la mise à la terre réduit le risque de choc électrique en procurant un circuit de moindre résistance au courant électrique. Cette sècheuse utilise un cordon doté d'un conducteur de mise à la terre de l'appareillage et d'une fiche de mise à la terre. La fiche doit être branchée dans une prise compatible correctement installée et mise à la terre conformément à tous les codes et règlements en vigueur.

AVERTISSEMENT Une connexion incorrecte

du conducteur de mise à la terre de l'appareillage peut poser un risque de choc électrique. Consultez un électricien ou réparateur qualifié si vous doutez que l'appareil soit correctement mis à la terre. **NE** modifiez **PAS** la fiche du cordon d'alimentation. Si elle ne s'insère pas dans la prise, demandez à un électricien agréé de poser une prise appropriée.

CONSERVEZ CES INSTRUCTIONS

RENSEIGNEMENTS SUR LES RACCORDS ÉLECTRIQUES POUR SÉCHEUSES ÉLECTRIQUES

Pour les connexions de fil directes :

AVERTISSEMENT - Risque d'incendie

Utilisez un fil de cuivre de calibre 10.

Utilisez un réducteur de tension homologué UL.

Débranchez l'alimentation avant d'effectuer des connexions électriques.

Connectez le fil neutre (le fil blanc ou central) sur la borne centrale.

Le fil de terre (fil vert ou à nu) doit être branché à un connecteur de terre vert.

Connectez les deux autres fils d'alimentation sur les deux bornes correspondantes.

Serrez fermement toutes les connexions électriques.

Remplacez le couvercle du bloc des bornes.

L'omission de prendre ces précautions peut provoquer la mort, l'explosion ou l'incendie.

INSTRUCTIONS DE MISE À LA TERRE

Pour une sècheuse à branchement permanent :

Cette sècheuse doit être connectée à du métal mis à la terre ou à un système de câblage permanent ; ou encore un conducteur de mise à la terre de l'appareillage doit être acheminé avec les conducteurs du circuit et connecté à une borne de mise à la terre de l'appareillage sur l'appareil.

AVERTISSEMENT Une connexion incorrecte

du conducteur de mise à la terre de l'appareillage peut poser un risque de choc électrique. Consultez un électricien ou réparateur qualifié si vous doutez que l'appareil soit correctement mis à la terre.

CONSERVEZ CES INSTRUCTIONS

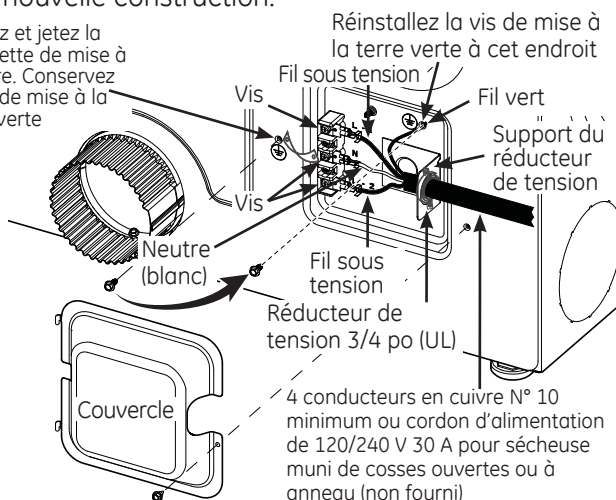
Instructions d'installation

RACCORDEMENT D'UNE SÉCHEUSE ÉLECTRIQUE (suite)

BRANCHEMENT DE LA SÉCHEUSE À L'AIDE D'UN CÂBLE À 4 FILS (À UTILISER POUR L'INSTALLATION DANS UNE MAISON MOBILE)

REMARQUE: Depuis le 1^{er} janvier 1996, le Code national de l'électricité impose aux nouvelles constructions d'utiliser un raccordement à 4 fils pour une sècheuse électrique. Un cordon à 4 fils doit aussi être utilisé lorsque les normes locales n'autorisent pas une mise à la terre via le neutre. Un raccordement à 3 fils NE doit PAS être utilisé dans une nouvelle construction.

Retirez et jetez la languette de mise à la terre. Conservez la vis de mise à la terre verte

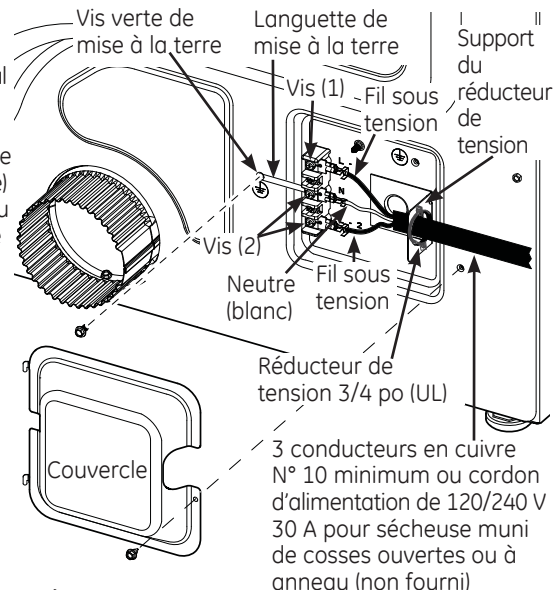


1. Déclenchez le(s) disjoncteur(s) ou retirez le(s) fusible(s) du circuit du tableau électrique.
2. Assurez-vous que le cordon de la sècheuse est débranché de la prise murale.
3. Retirez le couvercle du cordon d'alimentation situé à l'arrière.
4. Retirez et jetez la languette de mise à la terre. Conservez la vis verte de mise à la terre pour l'étape 7.
5. Insérez un réducteur de tension conforme UL 3/4 po dans le trou d'entrée du cordon. Faites passer le cordon d'alimentation dans le réducteur de tension.
6. Connectez le cordon d'alimentation comme suit :
 - A. Connectez les 2 fils sous tension aux vis extérieures de la plaque à bornes (L1 et L2).
 - B. Connectez le fil neutre (blanc) au centre de la plaque à bornes (N).
7. Branchez le fil de terre du cordon à la vis verte de mise à la terre (trou placé au-dessus du support du réducteur de tension). Serrez toutes les vis de la plaque à bornes (3) fermement.
8. Fixez le cordon d'alimentation dans le réducteur de tension.
9. Réinstallez le couvercle.

NE LAISSEZ JAMAIS LE COUVERCLE ENLEVÉ DE LA PLAQUE À BORNES.

RACCORDEMENT DE LA SÉCHEUSE À L'AIDE D'UN CÂBLE À 3 FILS

Faites installer, si le code local l'exige, une mise à la terre externe (non fournie) sur un tuyau d'eau froide métallique mis à la terre ou toute autre mise à la terre par un électricien qualifié.



Connexion à 3 fils

Ne peut pas être utilisée au Canada.
Ne peut pas être utilisée dans une maison mobile.
Ne peut pas être utilisée dans les nouvelles constructions.
Ne peut pas être utilisée dans les véhicules récréatifs.
Ne peut pas être utilisée dans les régions où les codes locaux interdisent la mise à la terre par le biais du câble neutre.

1. Déclenchez le(s) disjoncteur(s) ou retirez le(s) fusible(s) du circuit du tableau électrique.
2. Assurez-vous que le cordon de la sècheuse est débranché de la prise murale.
3. Retirez le couvercle du cordon d'alimentation situé à l'arrière.
4. Insérez un réducteur de tension conforme UL 3/4 po dans le trou d'entrée du cordon. Faites passer le cordon d'alimentation dans le réducteur de tension.
5. Connectez le cordon d'alimentation comme suit :
 - A. Connectez les 2 fils sous tension aux vis extérieures de la plaque à bornes (L1 et L2).
 - B. Connectez le fil neutre (blanc) au centre de la plaque à bornes (N).
6. Veillez à ce que la languette de mise à la terre soit connectée à la borne neutre (centre) de la plaque à bornes et à la vis verte de mise à la terre sur le boîtier. Serrez toutes les vis de la plaque à bornes (3) fermement.
7. Fixez le cordon d'alimentation dans le réducteur de tension.
8. Réinstallez le couvercle.

NE LAISSEZ JAMAIS LE COUVERCLE ENLEVÉ DE LA PLAQUE À BORNES.

Instructions d'installation

ÉVACUATION DE LA SÈCHEUSE

AVERTISSEMENT - Risque d'incendie

L'air de la sècheuse DOIT être évacué vers l'extérieur.
Utilisez seulement des tuyaux métalliques rigides de 10,2 cm (4 po) pour le conduit d'évacuation du domicile.
Utilisez seulement des tuyaux métalliques rigides de 10,2 cm (4 po) ou des conduits de transition pour sècheuse homologués UL pour brancher la sècheuse au conduit d'évacuation du domicile.
N'employez **PAS** un évent en plastique.
Ne dirigez **PAS** l'évacuation dans une cheminée, la hotte de cuisine, un évent à gaz, un mur, un plafond, un comble, un vide sanitaire ou un espace dissimulé d'un bâtiment.
N'installez **PAS** un grillage dans ou par-dessus le conduit d'échappement.
N'installez **PAS** un ventilateur d'appoint dans le tuyau de ventilation.
N'utilisez **PAS** un conduit dont la longueur dépasse celle spécifiée dans le tableau des longueurs d'échappement.
L'omission d'observer ces directives peut entraîner le décès ou l'incendie.

PIÈCES DISPONIBLES DE GEAPPLIANCES.COM OU D'ENTREPRISES DE SERVICES LOCAUX

PM8X85	Hotte extérieure de ventilation
PM08X10085	Conduit de transition flexible en métal de 8 pieds, à 2 pinces, pour sècheuses
WX08X10130	Pince de serrage pour conduits de 4 pouces pour sècheuses
WE49X22606	Couvercle pour l'ouverture arrière d'échappement, pour des sècheuses ventilées par les côtés ou par le bas.

LISTE DE VÉRIFICATION DU SYSTÈME D'ÉVACUATION

ÉVÈNT MURAL

- Terminez le conduit de façon à éviter les retours d'air ou l'entrée d'oiseaux ou d'autres animaux.
- La terminaison doit présenter une résistance minimale au flux d'air évacué et nécessiter peu ou pas de maintenance pour empêcher les obstructions.
- Les événements muraux doivent être installés à au moins 30,5 cm (12 po) au-dessus du niveau du sol ou toute autre obstruction avec l'ouverture dirigée vers le bas.
- Ne montez pas le conduit avec de la visserie qui le pénètre. Cette visserie peut accumuler de la charpie qui constitue un risque d'incendie.

SÉPARATIONS DES COUDES

- Pour de meilleures performances, séparez tous les coudes par un conduit droit d'au moins 1,2 m (4 pieds), y compris sur la distance entre le dernier coude et le couvert du tuyau d'échappement.

ÉTANCHÉITÉ DES JOINTS

- Tous les joints doivent être serrés pour éviter les fuites. L'extrémité mâle de chaque section du conduit doit être dirigée vers l'extérieur par rapport à la sècheuse.
- Les joints de conduit doivent être étanches à l'air et à la poussière, recouverts de ruban de toile ou en aluminium.
- N'assemblez pas les conduits avec des fixations qui pénètrent dans le conduit. Elles serviraient de point de collecte pour la charpie.
- Les conduits horizontaux doivent être inclinés vers l'extérieur de 6 mm (1/4 po) par pied de longueur.
- Prévoyez libre un accès pour l'inspection et le nettoyage du système d'évacuation, notamment pour les coudes. Inspectez et nettoyez le système au moins une fois par an.

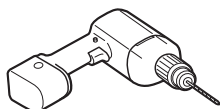
ISOLATION

- Les conduits qui traversent une zone non chauffée ou situés à proximité d'un climatiseur doivent être isolés pour réduire la condensation et la création de charpie.

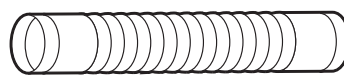
OUTILS ET MATÉRIEL NÉCESSAIRES À L'INSTALLATION DU CONDUIT D'ÉVACUATION



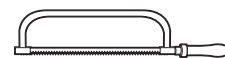
Tournevis cruciforme



Percez à l'aide d'un foret de 1/8 po (pour évacuation par le dessous)



Conduit métallique rigide ou souple homologué UL de 10,2 cm (4 po)



Scie à métaux

Ruban de toile ou colliers pour conduit



Évènt d'évacuation

Instructions d'installation

ÉVACUATION DE LA SÈCHEUSE (suite)

BRANCHEMENT DE LA SÈCHEUSE À L'ÉVENT DU DOMICILE

CONDUIT DE TRANSITION EN MÉTAL RIGIDE

- Pour une meilleure efficacité de séchage, un conduit de transition en métal rigide est recommandé.
- Les conduits de transition en métal rigide réduisent le risque d'écrasement et de pliure.

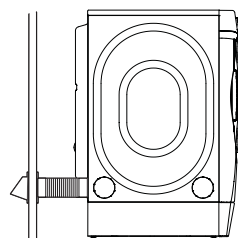
CONDUIT DE TRANSITION EN MÉTAL FLEXIBLE (SEMI-RIGIDE) HOMOLOGUÉ UL

- Si un conduit métallique rigide ne peut être utilisé, alors un conduit métallique flexible semi-rigide homologué UL peut être employé (ensemble PM08X10085).
- N'installez jamais un conduit métallique flexible dans des murs, des plafonds, des planchers ou d'autres espaces restreints.
- La longueur totale du conduit métallique flexible ne doit pas dépasser 2,4 m (7 pi 9 po).
- Pour de nombreuses applications, l'installation de coudes aussi bien à la sècheuse qu'au mur est vivement recommandée (voir les illustrations à droite). Les coudes permettent à la sècheuse de reposer près du mur sans plier ni écraser le conduit de transition, optimisant ainsi l'efficacité du séchage.
- Évitez de faire reposer le conduit sur des objets coupants.

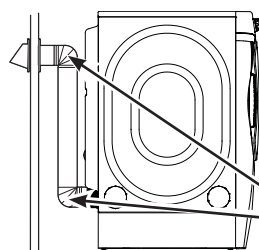
CONDUIT DE TRANSITION EN MÉTAL FLEXIBLE (TYPE EN FEUILLE) HOMOLOGUÉ UL

- Dans des installations spéciales, il peut être nécessaire de brancher la sècheuse à l'évent du domicile à l'aide d'un conduit métallique flexible (type en feuille). Un conduit métallique flexible (type en feuille) homologué UL peut être utilisé SEULEMENT dans des installations où les conduits métalliques rigides ou flexibles (semi-rigides) ne peuvent pas être employés ET où un diamètre de 10,2 cm (4 po) peut être conservé sur toute la longueur du conduit de transition.
- Au Canada et aux États-Unis, seuls les conduits métalliques flexibles (type en feuille) qui sont conformes à la norme 2158A « Outline for Clothes Dryer Transition Duct Subject » doivent être utilisés.
- N'installez jamais un conduit métallique flexible dans des murs, des plafonds, des planchers ou d'autres espaces restreints.
- La longueur totale du conduit métallique flexible ne doit pas dépasser 2,4 m (7 pi 9 po).
- Évitez de faire reposer le conduit sur des objets coupants.
- Pour une meilleure efficacité de séchage :
 1. Glissez une des extrémités du conduit par-dessus le conduit de sortie de la sècheuse.
 2. Fixez le conduit à l'aide d'une bride.
 3. Sècheuse dans sa position permanente, déployez le conduit à sa pleine longueur. Laissez un recouvrement de 5 cm (2 po) du conduit sur le conduit d'évacuation. Coupez et retirez la longueur de conduit en surplus. Gardez le conduit aussi droit que possible pour obtenir une circulation d'air maximale.
 4. Fixez le conduit sur le conduit d'évacuation à l'aide de l'autre bride.

POUR L'ÉVACUATION TRANSITOIRE (DE LA SÈCHEUSE AU MUR), FAITES:



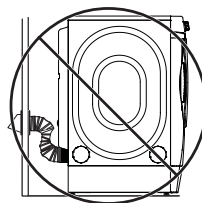
- **COUPEZ** le conduit aussi court que possible et installez-le droit vers le mur.



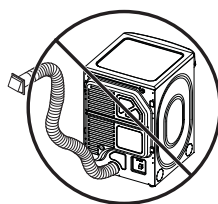
- **UTILISEZ** des coudes lorsque des changements de direction sont nécessaires.

Coudes

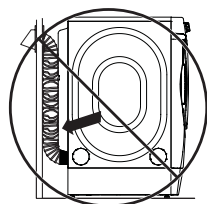
NE FAITES PAS:



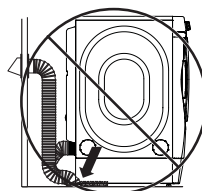
- **N'ÉCRASEZ PAS** ou ne pliez pas le conduit. Utilisez des coudes lorsque des changements de direction sont nécessaires.



- **N'UTILISEZ PAS** une longueur excessive de conduit. Coupez le conduit aussi court que possible.



- **N'ÉCRASEZ PAS** le conduit contre le mur.



- **N'INSTALLEZ PAS** la sècheuse sur le conduit.

Instructions d'installation

LONGUEUR DU TUYAU D'ÉCHAPPEMENT

Utilisez des tuyaux d'échappement plus long que ce qui est spécifié aura comme conséquence :

- Augmentera les temps de séchage et les coûts d'énergie.
- Réduira la durée de vie de la sècheuse.
- Accumulation de la charpie, créant un danger potentiel de feu.

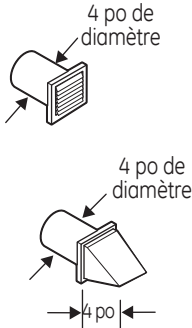
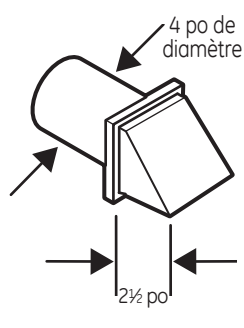
L'installation correcte du tuyau est VOTRE RESPONSABILITÉ.

Les problèmes causés par une mauvaise installation ne sont pas couverts par la garantie.

La longueur du système d'échappement MAXIMUM PERMISE dépend du type de conduits, du nombre de tours, du type de couvert de tuyau d'échappement (couvert mural) et de toutes les conditions mentionnées sur la carte.

- Les coudes intérieurs ajoutés pour les conversions d'évent latérales ou inférieures doivent être inclus dans le calcul total de coude.
- Tout coude dont l'angle est supérieur à 45° doit être considéré comme un coude de 90°.
- Deux coudes de 45° devront être considérés comme un coude de 90°.
- Pour la ventilation latérale, ajouter un coude de 90° au tableau.
- Lors du calcul de la longueur totale du système de ventilation, vous devez ajouter toutes les portions droites et coudes du système (y compris le conduit de transition).

LONGUEUR DU TUYAU D'ÉCHAPPEMENT

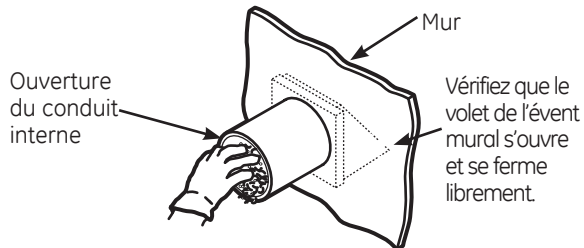
LONGUEUR MAXIMUM RECOMMANDÉ		
Types de couverts de tuyau d'échappement		
	Recommandé	Utilisation pour des installations de courte durée seulement
	 <p>4 po de diamètre</p> <p>4 po de diamètre</p> <p>4 po</p>	 <p>4 po de diamètre</p> <p>2½ po</p>
Nombre de Coudes à 90°	Métal rigide	Métal rigide
0	90 pieds	60 pieds
1	60 pieds	45 pieds
2	45 pieds	35 pieds
3	35 pieds	25 pieds
4	25 pieds	15 pieds

Instructions d'installation

ÉVACUATION DE LA SÈCHEUSE (suite)

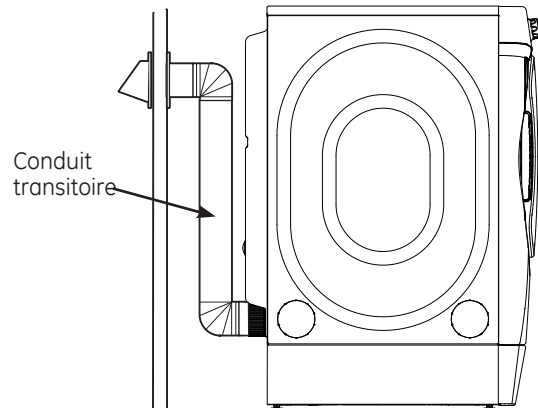
AVANT DE COMMENCER

Enlevez toute charpie de l'ouverture d'évacuation murale.



CONFIGURATION RECOMMANDÉE POUR MINIMISER UN BLOCAGE DU CONDUIT

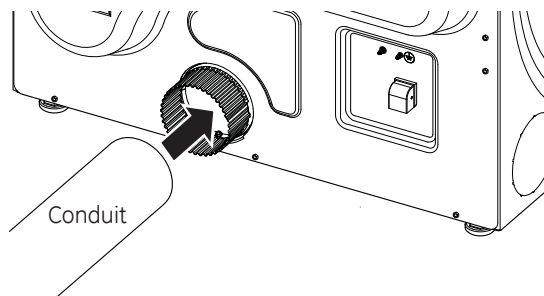
L'utilisation de coudes empêchera les conduits de se déformer et de s'écraser.



ÉVACUATION ARRIÈRE STANDARD

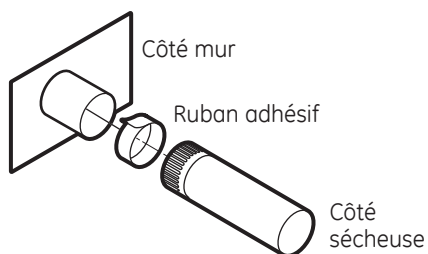
Nous vous recommandons d'installer votre sècheuse avant d'installer votre laveuse. Cela permettra un accès direct pour faciliter le raccordement de l'évacuation.

Insérez l'extrémité du conduit d'évacuation sur le raccord arrière de la sècheuse et fixez-la avec du ruban de toile ou un collier de fixation.



REMARQUE: Nous vous recommandons fortement d'utiliser un conduit d'évacuation rigide et en métal. Si les conduits flexibles de métal sont installés, ils doivent être homologué UL, pas de plastique.

- Pour une installation droite, raccordez le conduit d'évacuation de la sècheuse au mur l'aide de ruban en toile.



Instructions d'installation

ÉVACUATION LATÉRALE:

Orifice d'évacuation de la sécheuse sur la droite de la carrosserie sur les modèles fonctionnant à l'électricité uniquement.

Orifice d'évacuation de la sécheuse sur la gauche de la carrosserie sur les modèles fonctionnant au gaz et à l'électricité.

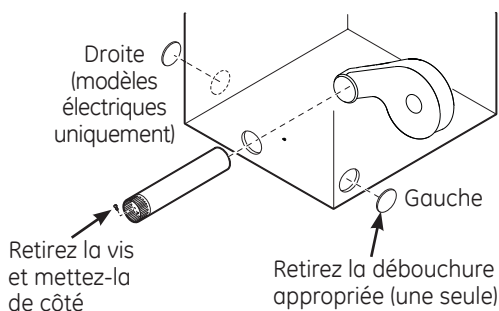
⚠ AVERTISSEMENT - Risque d'incendie

Débranchez la sécheuse de l'alimentation électrique.

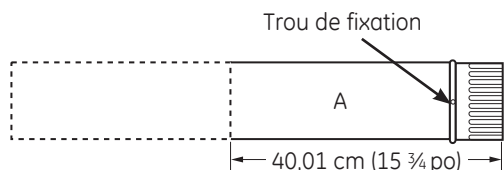
Portez des gants et des protège-bras.

Fermez l'ouverture arrière à l'aide de la plaque de recouvrement (ensemble WE49X22606).

L'omission de prendre ces précautions peut causer des incendie, chocs électriques ou des lacérations.



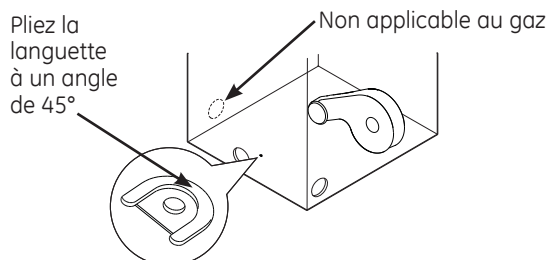
Enlevez la débouchure droite (modèles électriques uniquement) ou gauche. Retirez la vis située à l'intérieur du tuyau d'évacuation de la sécheuse et conservez-la. Retirez le tuyau de la sécheuse.



Coupez le tuyau comme indiqué et conservez la portion A.

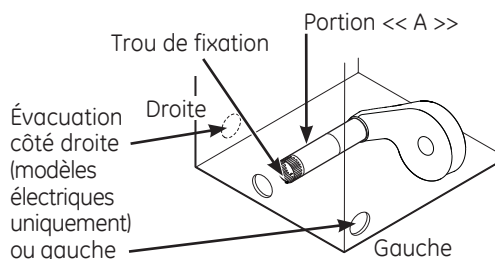
EMPLACEMENT DE LA LANGUETTE

Pliez la languette à un angle de 45°



À travers l'orifice arrière, repérez la languette au milieu de la base de l'appareil. Soulevez la languette à 45° à l'aide d'un tournevis à tête plate.

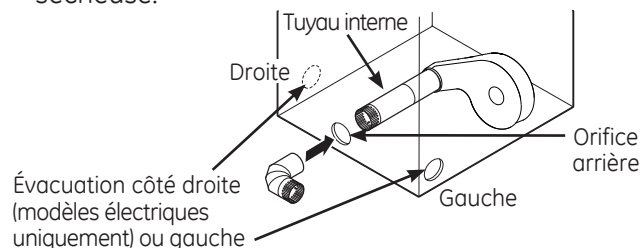
AJOUTER UN NOUVEAU CONDUIT



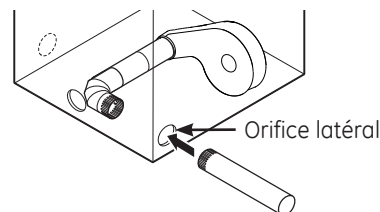
Rebranchez la portion découpée (A) du conduit au boîtier du ventilateur. Veillez à ce que le conduit raccourci soit aligné sur la languette dans la base. Utilisez la vis mise de côté précédemment pour fixer le conduit à la languette sur la base de l'appareil.

AJOUTER UN COUDE ET UN CONDUIT POUR L'ÉVACUATION SUR DE L'APPAREIL

- Introduisez le coude de 4 po dans l'orifice arrière et connectez le coude au tuyau interne de la sécheuse.



- Introduisez le conduit de 4 po dans l'orifice latéral et connectez-le au coude.



Ne pas tirer ou endommager les fils électriques et ne pas retirer le couvert de vinyle des pièces électriques à l'intérieur de la sécheuse lors de l'insertion du conduit. Une légère interférence peut se produire entre l'évacuation et les composants de fil.

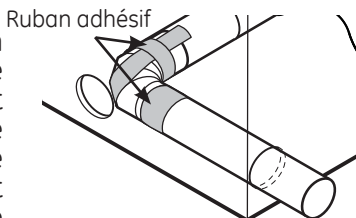
Instructions d'installation

ÉVACUATION DE LA SÈCHEUSE (suite)

ÉVACUATION LATÉRALE (suite)

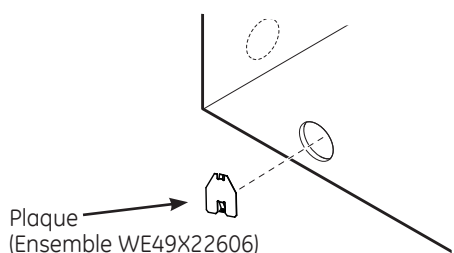
AJOUTER UN COUDE ET UN CONDUIT POUR L'ÉVACUATION SUR LA GAUCHE ET LA DROITE DE L'APPAREIL (suite)

- Appliquez du ruban adhésif comme indiqué sur le joint entre le tuyau interne de la sècheuse et le coude, et également sur le joint entre le coude et le tuyau latéral.



Utilisez un conduit métallique rigide de 10 cm uniquement à l'intérieur de la sècheuse. Les jonctions de canalisation interne doivent être bloquées avec un ruban adhésif, sinon elles peuvent se séparer et poser un danger pour la sécurité.

AJOUTER UNE PLAQUE D'OBTURATION À L'ARRIÈRE DE LA CARROSSERIE (ÉVACUATION LATÉRALE)



Connectez les coudes et les conduits métalliques pour terminer l'installation du système d'évacuation. Recouvrez l'orifice arrière d'une plaque (Ensemble WE49X22606) disponible auprès de votre fournisseur local. Placez la sècheuse à son emplacement final.

IL FAUT TOUJOURS LAISSER LA PLAQUE D'OBTURATION SUR L'ORIFICE À L'ARRIÈRE DE LA SÈCHEUSE. (Ensemble WE49X22606.)

ÉVACUATION PAR LE DESSOUS:

Orifice d'évacuation de la sècheuse par le dessous de la carrosserie sur les modèles fonctionnant au gaz et à l'électricité **SANS Piédestal Encastré™**.

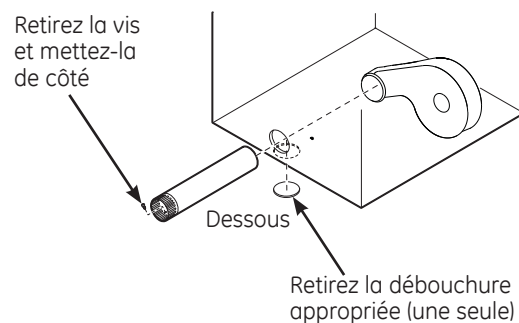
⚠ AVERTISSEMENT  - Risque d'incendie

Fermez l'ouverture arrière à l'aide de la plaque de recouvrement (ensemble WE49X22606).

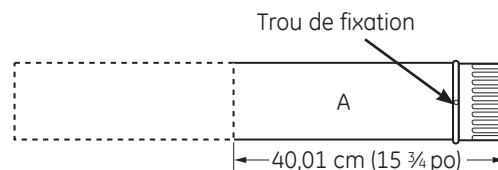
Débranchez la sècheuse de l'alimentation électrique.

Portez des gants et des protège-bras.

L'omission de prendre ces précautions peut causer des incendie, chocs électriques ou des lacérations.



Retirez la vis située à l'intérieur du tuyau d'évacuation de la sècheuse et conservez-la. Retirez le tuyau de la sècheuse. Enlevez la débouchure du dessous.



Coupez le tuyau comme indiqué et conservez la portion A.

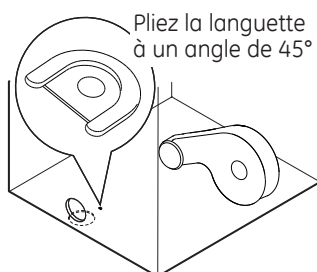
Instructions d'installation

ÉVACUATION PAR LE DESSOUS (suite)

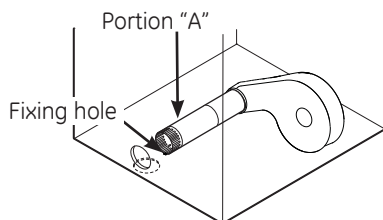
Orifice d'évacuation de la sècheuse par le dessous de la carrosserie sur les modèles fonctionnant au gaz et à l'électricité.

AJOUTER UN NOUVEAU CONDUIT

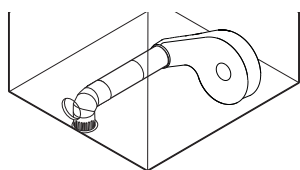
- À travers l'orifice arrière, repérez la languette au milieu de la base de l'appareil. Soulevez la languette à 45° à l'aide d'un tournevis à tête plate.



- Rebranchez la portion découpée (A) du conduit au boîtier du ventilateur. Veillez à ce que le conduit raccourci soit aligné sur la languette dans la base. Utilisez la vis mise de côté précédemment pour fixer le conduit à la languette sur la base de l'appareil.

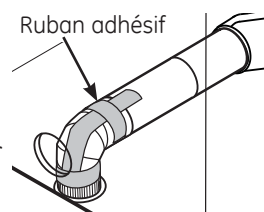


- Introduisez le coude de 4 po dans l'orifice arrière et connectez le coude au tuyau interne de la sècheuse.



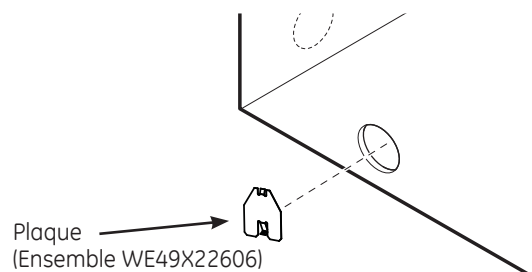
Prenez soin de ne pas tirer ou endommager les fils électriques placés à l'intérieur de la sècheuse lors de l'insertion du conduit.

- Appliquez du ruban adhésif comme indiqué sur le joint entre le tuyau interne de la sècheuse et le coude, et également sur le joint entre le coude et le tuyau du dessous.



Les joints du conduit interne doivent être fixés avec du ruban adhésif afin d'éviter qu'ils ne se détachent et que ceci n'entraîne un risque pour la sécurité.

AJOUTER UNE PLAQUE D'OBTURATION À L'ARRIÈRE DE LA CARROSSERIE (ÉVACUATION PAR LE DESSOUS)



Connectez les coudes et les conduits métalliques pour terminer l'installation du système d'évacuation. Recouvrez l'orifice arrière d'une plaque (Ensemble WE49X22606) disponible auprès de votre fournisseur local. Placez la sècheuse à son emplacement final.

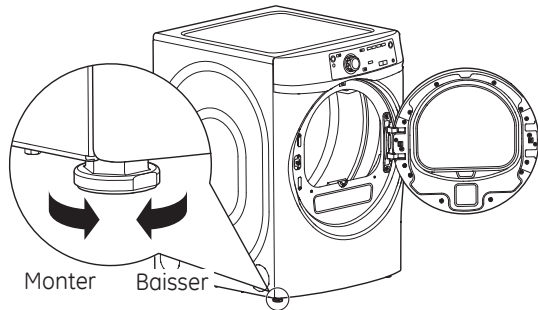
IL FAUT TOUJOURS LAISSER LA PLAQUE D'OBTURATION SUR L'ORIFICE À L'ARRIÈRE DE LA SÈCHEUSE. (Ensemble WE49X22606.)

Instructions d'installation

INSTALLATION FINALE

1 METTEZ LA SÉCHEUSE DE NIVEAU

Placez la sécheuse à proximité de l'emplacement final. Réglez les quatre pattes de nivellement pour la mettre de niveau de gauche à droite, et de l'avant vers l'arrière.



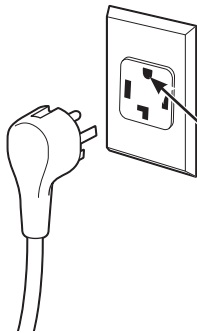
3 DÉMARRAGE DE LA SÉCHEUSE

Appuyez sur la touche **Power (Alimentation)**.



REMARQUE: Si la sécheuse a été exposée à des températures inférieures au point de congélation pendant une période prolongée, laissez-la se réchauffer avant d'appuyer sur **Power (Alimentation)**. Sinon, l'écran ne s'allumera pas. La sécheuse est maintenant prête à l'emploi.

2 BRANCHEZ LA SÉCHEUSE



Assurez-vous au préalable qu'une mise à la terre existe bien et qu'elle fonctionne correctement.

Instructions d'installation

INVERSION DE L'OUVERTURE DE LA PORTE (optionnel)

REMARQUES IMPORTANTES

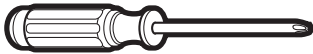
- Lisez l'ensemble des instructions avant de commencer.
- Manipulez les pièces avec soin afin d'éviter d'abîmer la peinture.
- Posez les vis à côté de leurs pièces respectives afin d'éviter de les utiliser aux mauvais endroits.
- Prévoyez une surface non abrasive pour les portes.
- La procédure d'inversion de l'ouverture de la porte dure de 30 à 60 minutes.

IMPORTANT: Après avoir commencé, ne déplacez pas la sècheuse avant que l'inversion de l'ouverture de la porte n'ait été effectuée.

Ces instructions permettent de transférer les charnières du côté droit vers le côté gauche. Si vous souhaitez les réinstaller du côté droit, veuillez suivre ces mêmes instructions et inversez toutes les références aux termes gauche et droite.

OUTILS NÉCESSAIRES

#2 Tournevis cruciforme



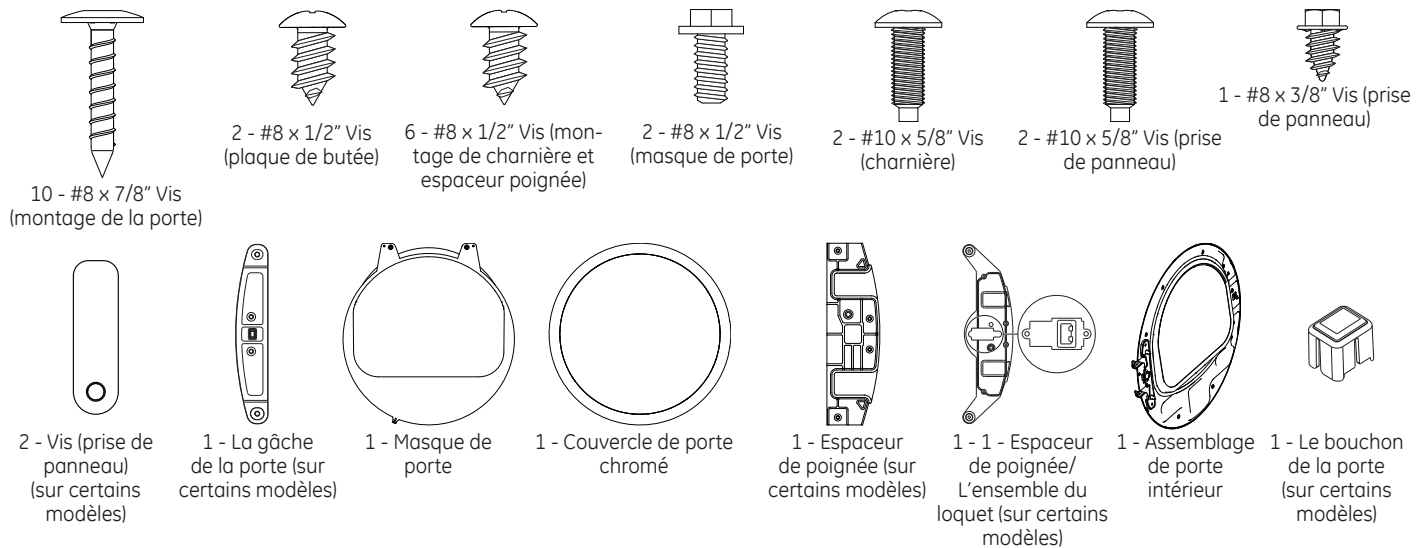
Tournevis torx T-25



Tournevis à douille 1/4 po

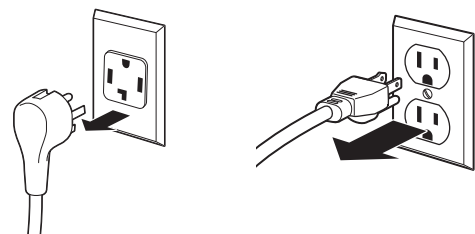


PIÈCES DE LA PORTE



AVANT DE COMMENCER

Débranchez la sècheuse de sa prise électrique.

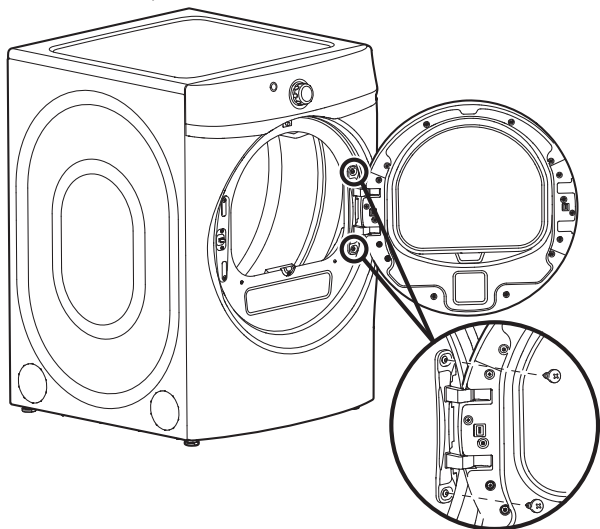


Instructions d'installation

INVERSION DE L'OUVERTURE DE LA PORTE (optionnel) (suite)

1 ENLÈVEMENT DE LA PORTE

- A. Ouvrez complètement la porte.
- B. Enlevez 2 vis (#10 x 5/8 po) de la charnière, en commençant par celle les bas. La porte s'écartera du panneau frontal, mais finira par rester en place.

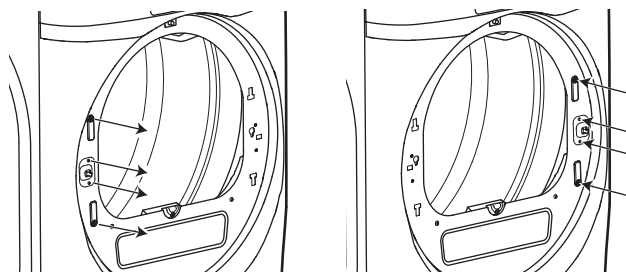


- C. Soulevez la porte légèrement et décrochez-la du panneau frontal.
- D. Placez la porte sur une surface molle et plane.

2A REPOSITIONNEMENT DE LA BUTÉE DE CHARNIÈRE ET DES COUVERCLES DE PANNEAU (sur certains modèles - voir l'étape 2B ci-dessous pour d'autres modèles)

IMPORTANT : Prenez note de la position de la charnière (gauche ou droite) avant l'enlèvement.

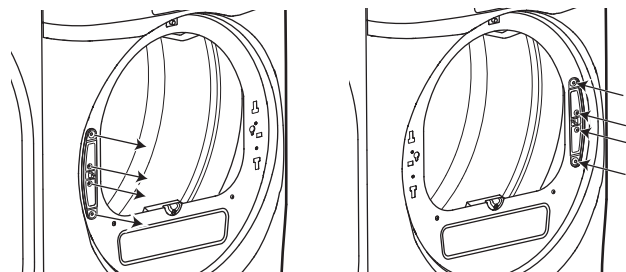
- A. Enlevez 2 vis (#10 x 5/8 po) et les couvercles de panneau du panneau frontal.
- B. Reposez les couvercles de panneau et les vis du côté opposé de l'ouverture de porte.
- C. Enlevez 2 vis (#8 x 1/2 po) et la butée de charnière du panneau frontal.
- D. Faites pivoter la butée de charnière de 180 degrés et reposez-la à l'aide des vis du côté opposé de l'ouverture de porte.



2B REPOSITIONNEMENT DE LA BUTÉE DE CHARNIÈRE (sur certains modèles - voir l'étape 2A ci-dessus pour d'autres modèles)

IMPORTANT : Prenez note de la position de la charnière (gauche ou droite) avant l'enlèvement.

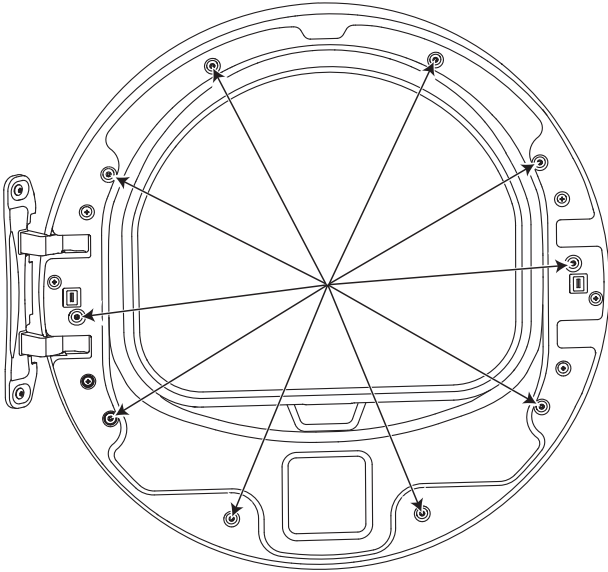
- A. Enlevez 2 vis (#10 x 5/8 po) d'en haut et d'en bas de la gâche de la porte.
- b. Enlevez 2 vis (#8 x 1/2 po) du centre de la gâche de la porte et enlevez la gâche du panneau frontal.
- C. Faites pivoter la butée de charnière de 180 degrés et reposez-la à l'aide des vis du côté opposé de l'ouverture de porte.



Instructions d'installation

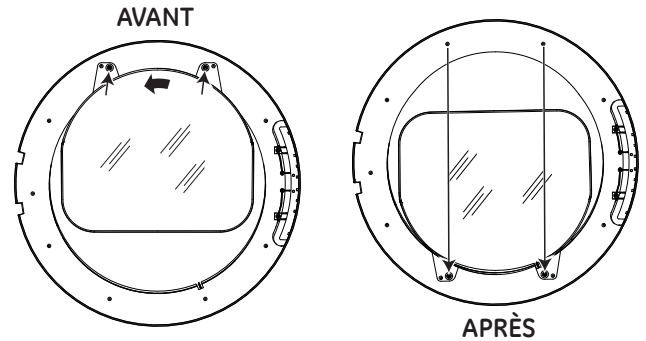
3 DÉMONTAGE DE LA PORTE

- A. Placez la porte sur une surface molle et plane, cadre de porte intérieur dirigé vers le haut.
- B. Enlevez 10 vis (#8 x 7/8 po) du périmètre du cadre de porte.
- C. Séparez le cadre de porte intérieur du couvercle de porte chromé. Mettez le cadre de porte intérieur de côté sur une surface molle et plane.



4 REPOSITIONNEMENT DU MASQUE DE PORTE

- A. Placez le couvercle de porte chromé sur une surface molle et plane de façon que le masque de porte soit dirigé vers le haut.
- B. Enlevez 2 vis (#8 x 1/2 po) qui fixent le masque de porte.
- C. Faites pivoter le masque de porte de 180 degrés et reposez les vis pour le fixer.



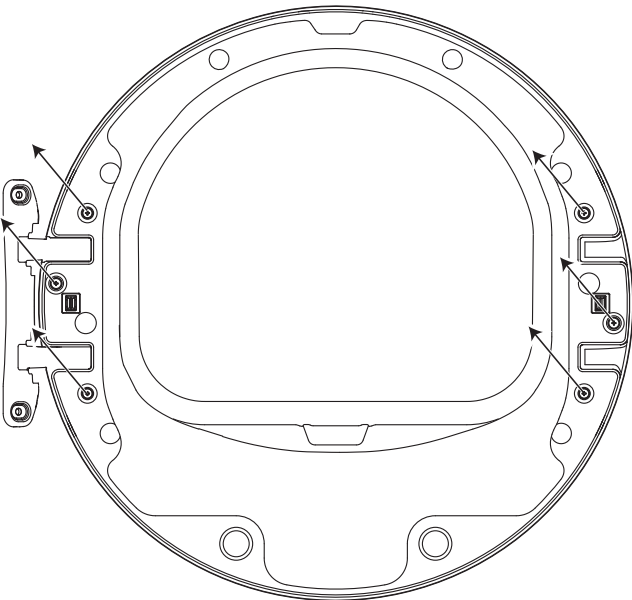
- D. Le repositionnement est terminé. Mettez le couvercle de porte chromé.

Instructions d'installation

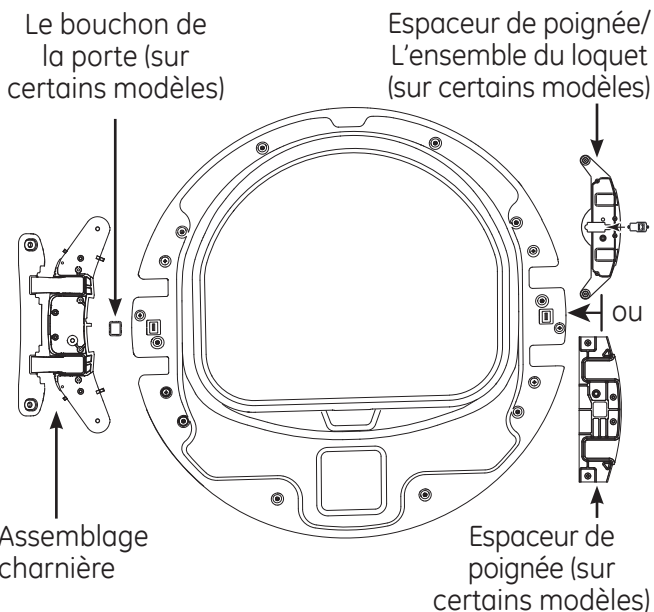
INVERSION DE L'OUVERTURE DE LA PORTE (optionnel) (suite)

5 REPOSITIONNEMENT DE L'ASSEMBLAGE CHARNIÈRE ET DE L'ESPACEUR DE POIGNÉE

- A. Placez le cadre de porte intérieur sur une surface molle et plane de façon que le joint d'étanchéité de la porte intérieure soit dirigé vers le haut.
- B. Enlevez 6 vis (#8 x 1/2 po) qui fixent l'assemblage charnière et l'espaceur de poignée.

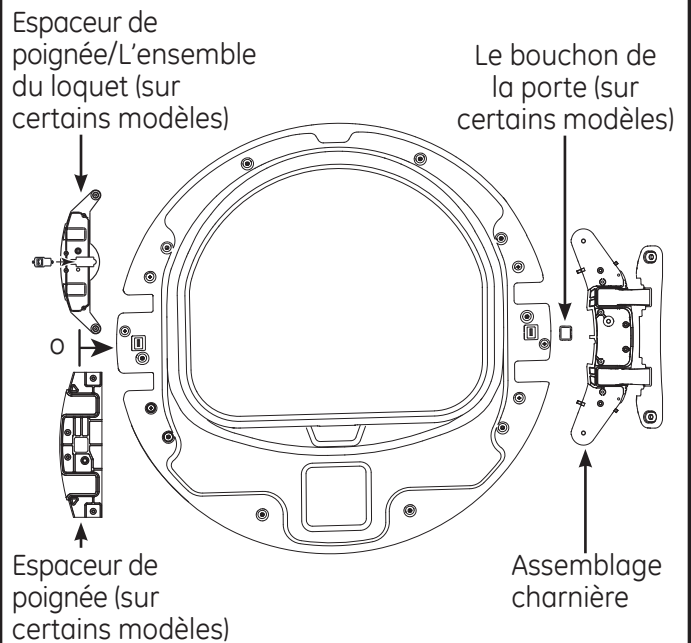


- C. Séparez l'assemblage charnière, Le bouchon de la porte (sur certains modèles), espaceur de poignée ou espaceur de poignée/L'ensemble du loquet (selon le modèle) de poignée du cadre de porte intérieur.

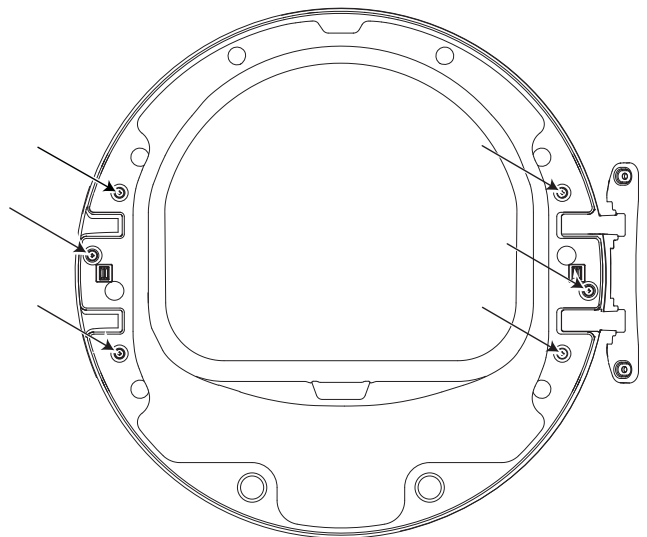


5 REPOSITIONNEMENT DE L'ASSEMBLAGE CHARNIÈRE ET DE L'ESPACEUR DE POIGNÉE (suite)

- D. Faites pivoter l'assemblage charnière de 180 degrés et repositionnez-le ainsi que le bouchon de la porte (dans certains modèles) du côté opposé du cadre de porte intérieur.
- E. Faites pivoter l'espaceur de poignée ou l'espaceur de poignée/L'ensemble du loquet (selon le modèle) de 180 degrés et repositionnez-le du côté opposé du cadre de porte intérieur.



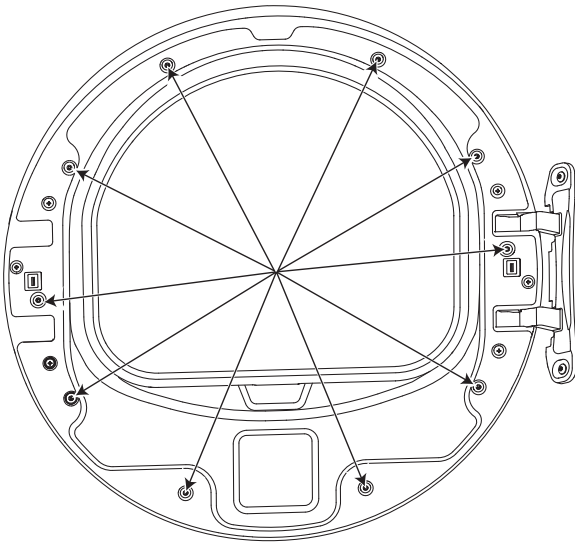
- F. Reposez les vis qui fixent l'assemblage charnière hinge et l'espaceur de poignée.



Instructions d'installation

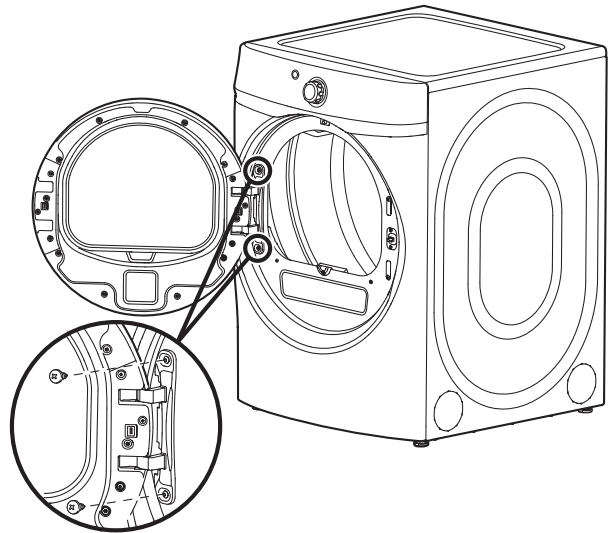
6 REMONTAGE DE LA PORTE

- A. Placez le couvercle de porte chromé sur une surface molle et plane avec le couvercle de protection extérieur en plastique dirigé vers le bas.
- B. Abaissez le cadre de porte intérieur sur le couvercle de porte chromé.
- C. Assurez-vous que tous les trous de vis sont alignés et reposez 10 vis (#8 x 7/8 po).



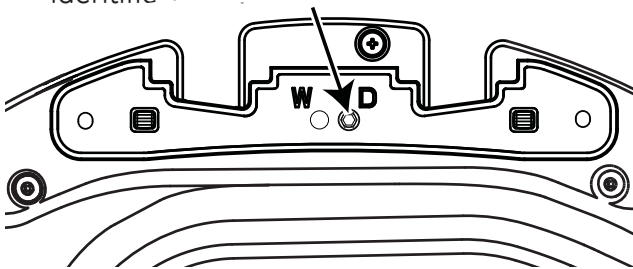
8 RÉINSTALLATION DE LA PORTE

- A. Installez la porte en guidant la tête de la vis de l'axe de charnière par le trou de serrure du panneau frontal puis en abaissant la porte en place.
- B. Ouvrez la porte sur environ 140 degrés pour donner accès aux trous de vis.
- C. En commençant par la vis supérieure, reposez les 2 vis (#10 x 5/8 po) qui fixent la porte au panneau frontal.

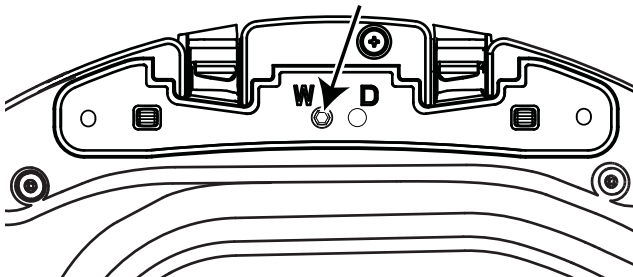


7 REPOSITIONNEMENT DE LA VIS DE L'AXE DE CHARNIÈRE

- A. Retirez la vis de l'axe de charnière du trou identifié « D ».



- B. Reposez la vis de l'axe de charnière dans le trou identifié « W ».



Instructions d'installation

COMMENT SUPERPOSER LA SÉCHEUSE À LA LAVEUSE (optionnel)

AVANT DE COMMENCER

Lisez ces instructions entièrement et soigneusement.

- **IMPORTANT** – Conservez ces instructions pour l'inspecteur local.
- **IMPORTANT** – Observez tous les codes et les ordonnances en vigueur.
- **Note à l'installateur** – Assurez-vous de laisser ces instructions au consommateur.
- **Note au consommateur** – Conservez ces instructions à titre de référence.
- L'installation de la sècheuse **doit** être effectuée par un installateur qualifié.
- L'installateur est responsable de bien installer cet appareil.

- Coupez l'alimentation électrique avant de procéder à l'installation. Vous risquez de vous blesser gravement si vous ne le faites pas.

AVERTISSEMENT - Risque lié au poids excessif

La participation de deux personnes ou plus est nécessaire pour installer la sècheuse.

L'omission de prendre cette précaution peut causer une blessure au dos ou à une autre partie du corps.

- Évitez le basculement et le débranchement des services publics. La sècheuse doit être correctement fixée à la laveuse. NE placez PAS la laveuse au dessus de la sècheuse. Vous risquez de vous blesser gravement, voire mortellement ou des dommages matériels si vous ne tenez pas compte de cette recommandation.
- Maison mobile ou préfabriquée Installation – La superposition d'une sècheuse au gaz dans une maison mobile ou préfabriquée n'est pas autorisée.

ENSEMBLE DE SUPERPOSITION GE APPLIANCES

Commandez en ligne sur www.electromenagersge.ca
24 heures sur 24, ou en téléphonant au **1-800.561.3344**
durant les heures normales de bureau.

Numéro de pièce

GEFLSTACK

Accessoire

Ensemble complet de superposition

DÉGAGEMENTS MINIMUMS AUTRES QUE POUR UNE INSTALLATION ENCASTRÉE

Les dégagements minimums par rapport aux surfaces inflammables et pour l'orifice d'aération sont les suivants : 0 po des deux côtés, 25 mm (1 po) à l'arrière et 25 mm (1 po) haut. Veillez à prévoir des dégagements suffisants pour toute installation et réparation.

EXIGENCES RELATIVES À UNE INSTALLATION ENCASTRÉE

AVERTISSEMENT - Risque d'explosion

Gardez les matières et les vapeurs inflammables telles que l'essence à distance de la sècheuse. Placez la sècheuse à au moins 46 cm (18 po) au-dessus du sol dans le cas d'une installation dans un garage. L'omission de prendre ces précautions peut provoquer la mort, l'explosion ou l'incendie.

- L'air de la sècheuse **DOIT** être évacué vers l'extérieur.
- L'espace minimum entre la sècheuse et les murs adjacents ou d'autres surfaces est le suivant:
 - 0 mm (0 po) des deux côtés
 - 2,54 mm (1 po) avant et arrière
 - 2,54 mm (1 po) haut
- Il faut veiller à procurer le dégagement nécessaire à l'installation et aux interventions de service.
- Les portes du placard doivent être perforées ou bien ventilées et disposer d'au moins 387,1 cm² (60 pouces carrés) d'espace. Si le placard abrite une laveuse et une sècheuse, les portes doivent disposer de 774,2 cm² (120 pouces carrés) au minimum d'espace ouvert.

REMARQUE: SI LE TUYAU D'ÉVACUATION EST SITUÉ À L'ARRIÈRE DE LA SÉCHEUSE, LA CONFIGURATION DU TUYAU POURRAIT DEMANDER UNE DÉGAGEMENT EN ARRIÈRE PLUS GRANDE QUE 3 POUCES.

Sécheuses à gaz seulement.

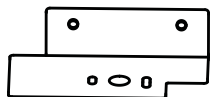
- Aucun autre appareil alimenté au carburant ne doit être installé dans le même placard qu'une sècheuse à gaz.
- La sècheuse doit être débranchée de la conduite d'alimentation en gaz lors des essais de pression lorsque celle-ci est supérieure à ½ psi (3,5 kPa).
- Un connecteur obturé d'un minimum de 1/8 pouce NPT, accessible pour la connection de l'instrument de mesure, doit être posé tout juste en amont de la connection de l'alimentation en gaz de la sècheuse.

Instructions d'installation

COMMENT SUPERPOSER LA SÉCHEUSE À LA LAVEUSE (optionnel) (suite)

CONTENU DE L'ENSEMBLE DE SUPERPOSITION GEFLSTACK (ACCESSOIRE EN OPTION)

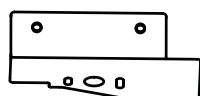
REMARQUE : Les modèles avec un Piédestal Encastré™ ne peuvent pas être empilés.



Support gauche



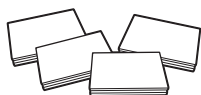
4 vis #12 x 1 po



Support droit



4 vis #8 x 1/2 po



4 cales en caoutchouc

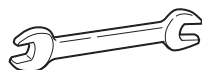
OUTILS NÉCESSAIRES



Tournevis cruciforme



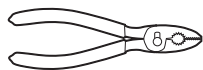
Gants



Clé à fourche



Niveau



Pince

COMMENT PRÉPARER L'INSTALLATION

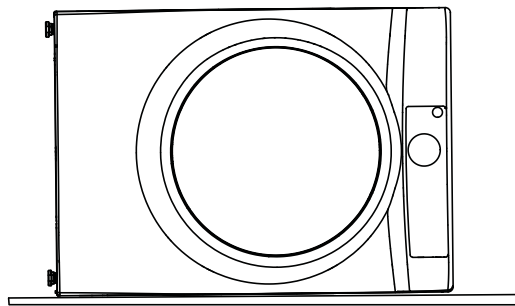
Retirez l'emballage.

Aplatissez le carton pour l'utiliser comme cale pour coucher la sécheuse sur le côté. Utilisez le carton pour protéger également le sol en face de l'endroit choisi pour l'installation.

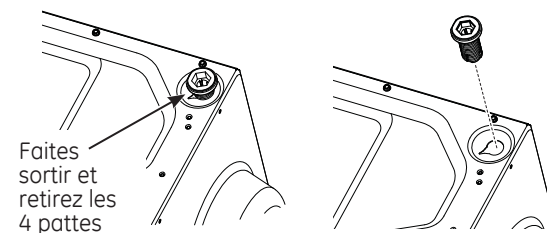
COMMENT INSTALLER L'ENSEMBLE DE SUPPORT DE SUPERPOSITION

1 COMMENT RETIRER LES PATTES DE NIVELLEMENT DE LA SÉCHEUSE

A. Posez avec précaution la sécheuse sur le côté. Utilisez le matériau d'emballage de manière à ne pas égratigner le fini de la sécheuse.

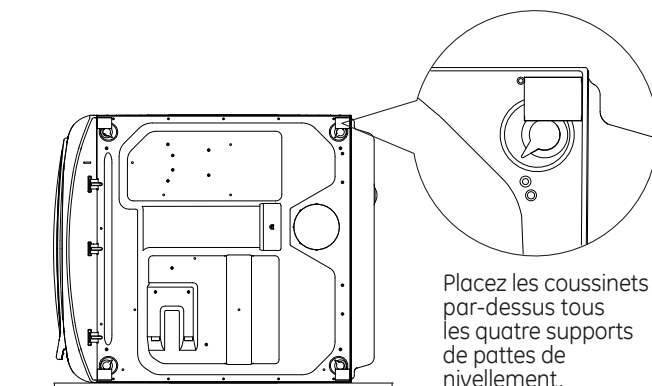


B. Utilisez une clé à fourche ou une pince pour retirer les pattes de la sécheuse.



2 COMMENT INSTALLER LES CALES EN CAOUTCHOUC SUR LA BASE DE LA SÉCHEUSE

Saisissez-vous des 4 cales en caoutchouc situées dans le paquet contenant toutes les pièces. Retirez la pellicule protectrice et collez les cales dans les coins où vous avez retiré les pattes de nivellement.

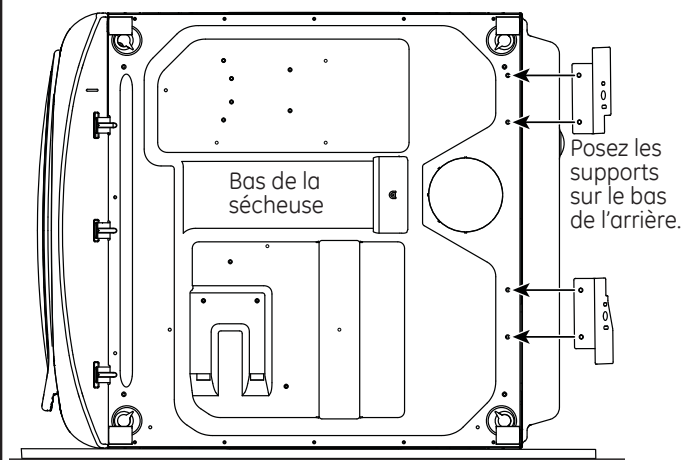


Instructions d'installation

3 COMMENT INSTALLER LE SUPPORT SUR LA SÉCHEUSE

- A. Alignez les trous du support gauche sur ceux situés dans le coin inférieur gauche de l'appareil. Utilisez un tournevis cruciforme pour installer les 2 vis taraudeuses #12 x 1 po.
- B. Répétez l'étape ci-dessus avec le support droit sur le coin inférieur droit de la sécheuse.
- C. Remettez la sécheuse debout.

REMARQUE: Veillez à placer la sécheuse sur une partie de l'emballage de sorte que les supports fixés au bas de la sécheuse n'endommagent pas le sol.



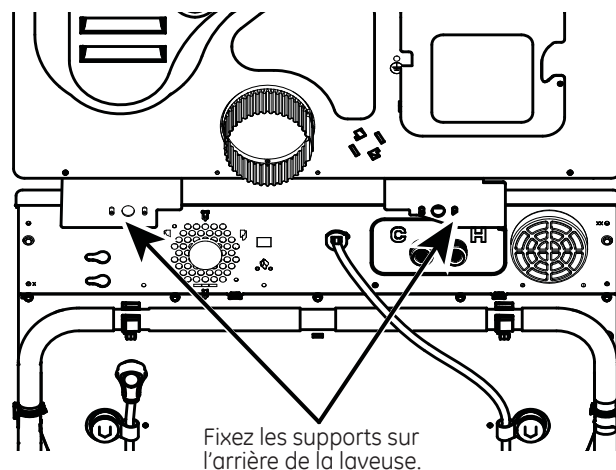
4 COMMENT INSTALLER LA SÉCHEUSE ET LE SUPPORT SUR LA LAVEUSE

- A. Placez la sécheuse au-dessus de la laveuse. Prenez soin de ne pas égratigner le dessus de la laveuse avec les supports. Protégez le panneau de contrôle avec du carton ou tout autre protection. Prenez soin de soulever la sécheuse à une hauteur suffisante de manière à ne pas masquer le panneau de contrôle de la laveuse.

Deux personnes sont nécessaires pour soulever la sécheuse en raison de son poids et de sa taille. Vous risquez de vous blesser gravement, voire mortellement si vous ne tenez pas compte de cette recommandation.

4 COMMENT INSTALLER LA SÉCHEUSE ET LE SUPPORT SUR LA LAVEUSE (suite)

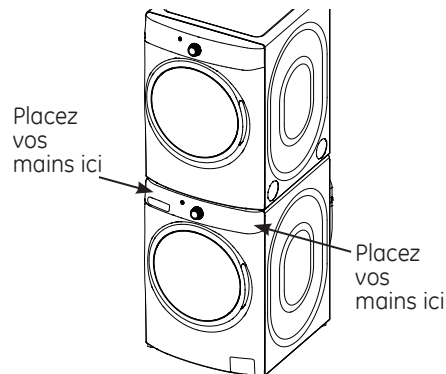
- B. Alignez les trous du support sur ceux situés à l'arrière de la laveuse. À l'aide d'un tournevis cruciforme, vissez les 2 vis taraudeuses #8 x 1/2 po. Répétez l'opération pour les deux côtés de la laveuse.



5 COMMENT TERMINER L'INSTALLATION

- A. Reportez-vous aux consignes d'installation pour terminer l'installation de la laveuse.
- B. Reportez-vous aux consignes d'installation pour terminer l'installation de la sécheuse.
- C. Poussez avec précaution la laveuse et la sécheuse superposées à leur emplacement définitif. Utilisez des cales en feutre ou tout autre dispositif coulissant pour faciliter le déplacement et protéger le revêtement du sol.

Ne poussez pas sur la sécheuse lorsqu'elle est installée au-dessus de la laveuse. Si vous poussez sur la sécheuse, vous risquez de vous coincer vos doigts.



Notes

Avant d'appeler un réparateur...

Conseils de dépannage

Economisez du temps et de l'argent ! Consultez les tableaux sur les pages suivantes ou consultez **ELECTROMENAGERSGE.CA**. Vous n'aurez peut-être pas besoin d'appeler un technicien.

Problème	Causes possibles	Correctifs
La sècheuse émet des secousses et des bruits	Le bruit/ou les secousses sont normaux. La sècheuse est peut-être placée sur une surface inégale	Placez l'appareil sur une surface plane, ou ajustez les pattes au besoin jusqu'à ce qu'il soit bien de niveau.
Le séchage est trop long	Des conduits inadéquats ou bouchés	Consultez les consignes d'installation afin de vous assurer que l'évacuation de l'air de la sècheuse est correcte. Veillez à ce que le conduit soit propre, non déformé et non bouché. Assurez-vous que l'évent mural extérieur fonctionne sans problème.
	Tri erroné	Séparez les articles lourds des légers (en général un linge correctement trié dans la laveuse l'est aussi dans la sècheuse).
	Charges de tissus lourds (serviettes par exemple)	Les tissus lourds et de grande taille contiennent de l'humidité et tardent davantage à sécher. Répartissez les tissus lourds et de grande taille en de plus petites charges pour accélérer le séchage.
	Les commandes sont mal réglées	Réglez les commandes conformément à la charge que vous séchez.
	Le filtre à charpie est plein	Nettoyez le filtre à charpie avant chaque utilisation.
	Fusibles grillés ou disjoncteur déclenché	Remplacez les fusibles ou réenclenchez les disjoncteurs. La plupart des sècheuses étant équipées de 2 fusibles/disjoncteurs, assurez-vous que les deux fonctionnent.
	Surcharge/charges mixtes	Ne mettez pas plusieurs charges dans la sècheuse à la fois.
	Charge insuffisante	Si vous ne séchez qu'un ou deux articles, ajoutez d'autres vêtements afin d'obtenir un bon culbutage.
	eDry est activé.	La fonction eDry est conçue pour faire fonctionner la sècheuse dans le mode le plus économe en énergie, ce qui est toujours le mode le plus rapide. Dans certains cas, le temps de séchage peut être prolongé pour réduire la consommation totale d'énergie pour le cycle.
Le niveau de séchage Dry a été sélectionné mais le linge est toujours humide	La brassée est composée de vêtements lourds et légers	Lorsque vous mélangez les tissus lourds et légers, sélectionnez More Dry (Plus Sec).
	Le système d'évacuation est bloqué	Inspectez et nettoyez-le.
Les touches de commande ne répondent pas	Les commandes ont été accidentellement réglées au mode réparation	Appuyez sur Start/Pause (Mise en marche/pause).
	Les commandes ont été accidentellement réglées au mode verrouillage	Maintenez la touche Lock Control (Verrouillage) enfoncée pendant 3 secondes pour déverrouiller la sècheuse.
	Les commandes fonctionnent mal	Réenclenchez le disjoncteur de votre domicile.
La sècheuse ne démarre pas	Le panneau de contrôle est en « veille »	C'est normal. Appuyez sur Power (Alimentation) pour activer le panneau de contrôle.
	La sècheuse est débranchée	Veillez à ce que la fiche de la sècheuse soit entièrement branchée dans la prise.
	Fusible grillé/disjoncteur déclenché	Vérifiez le fusible disjoncteur et remplacez le fusible ou réenclenchez le disjoncteur. REMARQUE : Les sècheuses électriques utilisent deux fusibles ou disjoncteurs.
	La sècheuse a été arrêtée par inadvertance au moment de régler la fonction Delay Dry (Mise en marche différée)	Si la lumière de la touche Start/Pause (Mise en marche/pause) clignote, la sècheuse est arrêtée. Appuyez sur Start/Pause (Mise en marche/pause) pour lancer le compte à rebours.
Aucun chiffre n'apparaît pendant le cycle, il ne fait que s'allumer	La sècheuse évalue la quantité d'humidité du linge	C'est normal. Lorsque la sècheuse détectera un faible niveau d'humidité dans le linge, elle affichera le temps de séchage restant.

Problème	Causes possibles	Correctifs
Le temps restant a diminué	Le temps estimé risque de changer lorsqu'une charge plus petite est en train de sécher	C'est normal.
Impossible de procéder à une sélection et la sècheuse émet un double bip	L'option dryness Level (Niveau de séchage), Temp (Temperature) ou l'option que vous tentez de sélectionner est incompatible avec le cycle de séchage sélectionné	C'est normal.
La sècheuse fonctionne mais 00 est le temps restant affiché	L'option Extend Tumble (Culbutage prolongé) a été sélectionnée	C'est normal. Pendant un culbutage prolongé, le temps restant n'est pas affiché. L'option de culbutage prolongé dure environ 60 minutes.
Nettoyez le filtre (message)	Le bouton Power (Alimentation) a été activé	Appuyez sur Start/Pause (Mise en marche/pause) pour à charpie lancer un cycle de séchage et le message disparaîtra.
La sècheuse ne chauffe pas	Fusible grillé/disjoncteur déclenché, la sècheuse peut tourner mais ne chauffe pas	Vérifiez le fusible disjoncteur et remplacez le fusible ou réenclenchez le disjoncteur. Votre sècheuse peut tourner si un fusible est grillé ou un disjoncteur est déclenché.
	L'alimentation de gaz est coupée (modèles à gaz seulement)	Assurez-vous que le robinet d'arrêt du gaz sur la sècheuse et que le robinet principal sont ouverts.
	Le réservoir de gaz propane est vide ou il y a eu une coupure de gaz naturel (modèles à gaz seulement)	Faites le plein ou remplacez le réservoir. La sècheuse chauffe lorsque l'alimentation en gaz est restaurée.
Temps de séchage non uniformes	Type de chaleur	Le temps de séchage variera en fonction du type de chauffage utilisé. Si vous avez récemment remplacé votre sècheuse électrique par un modèle à gaz propane, ou vice-versa, le temps de séchage peut ne pas être le même.
	Type de charge et conditions de séchage	La taille du linge, les types de tissus, l'humidité du linge et la longueur et l'état du système d'évacuation auront une influence sur le temps de séchage.
Le linge est toujours humide et la sècheuse s'est arrêtée après quelques instants	La porte a été ouverte au milieu du cycle. Le linge a été ensuite retiré de la sècheuse et une nouvelle charge introduite sans sélectionner un nouveau cycle	Un cycle de séchage doit être sélectionné chaque fois qu'une nouvelle brassée est placée dans l'appareil.
	Charge petite	Si vous séchez 3 articles au plus, sélectionnez Speed Dry (Séchage rapide) ou Time Dry (Séchage minuté).
	Le linge est déjà sec à l'exception des cols et les ceintures	Sélectionner Speed Dry (Séchage rapide) ou Time Dry (Séchage minuté) pour sécher des cols et des ceintures. À l'avenir, lorsque vous séchez des articles possédant des cols et des ceintures, sélectionnez plutôt More Dry (Plus Sec).
	La sècheuse n'est pas placée sur une surface plane	Placez l'appareil sur une surface plane, ou ajustez les pattes au besoin jusqu'à ce qu'il soit bien de niveau.
Le linge est froissé	Séchage excessif	Sélectionnez un temps de séchage plus court. Retirez du linge pendant qu'il est encore légèrement humide. Sélectionnez les options Less Dry (Moins sec) ou Damp (Humide).
	Linge laissé dans la sècheuse alors que le cycle est fini Surcharge	Retirez le linge une fois le cycle terminé, pliez et suspendez-le immédiatement, ou utilisez l'option Ext Tumble (Culbutage Prolongé). Répartissez les tissus lourds et de grande taille en de plus petites charges.

Avant d'appeler un réparateur...

Problème	Causes possibles	Correctifs
<i>Le linge a rétréci</i>	Certains tissus rétréciront naturellement au lavage. D'autres peuvent être lavés sans problème, mais rétréciront dans la sècheuse	Afin d'éviter tout rétrécissement, suivez les indications figurant sur les étiquettes des vêtements. Certains vêtements doivent être étirés après le séchage afin qu'ils retrouvent leur forme d'origine. Si vous avez peur qu'un vêtement rétrécisse, ne le lavez pas à la machine ou ne le séchez pas dans la sècheuse.
<i>Des tâches de gras sur le linge</i>	Une utilisation inadéquate de l'assouplissant	Suivez le mode d'emploi figurant sur l'emballage de l'assouplissant.
	Séchage de linge propre avec du linge sale	Utilisez votre sècheuse pour ne sécher que du linge propre. Le linge sale risque de tacher le linge propre et la sècheuse.
	Le linge n'était pas complètement propre	Il arrive parfois que des tâches ne soient pas visibles lorsque le linge est humide et apparaissent après le séchage. Utilisez des procédures de lavage adéquates avant le séchage.
<i>De la charpie sur le linge</i>	Le filtre à charpie est plein	Nettoyez le filtre à charpie avant chaque utilisation.
	Tri erroné	Triez les tissus producteurs de charpie (chenille par exemple) des tissus collecteurs de charpie (le velours côtelé par exemple).
	L'électricité statique peut attirer la charpie	Se reporter aux suggestions de la section Électricité statique .
	Surcharge	Répartissez les tissus lourds et de grande taille en de plus petites charges.
	Papier, mouchoir, etc., oubliés dans les poches	Videz toutes les poches avant de laver le linge.
<i>Électricité statique</i>	Aucun assouplissant n'a été utilisé	Essayez un assouplissant. Les feuilles d'assouplissant textile de marque BounceMD ont été approuvées pour toutes les sècheuses GE Appliances lorsqu'elles sont utilisées conformément aux instructions du fabricant.
	Séchage excessif	Essayez un assouplissant. Réglez l'option Less Dry (Moins Sec) ou Damp (Humide).
	Les synthétiques, les mélanges et les infroissables peuvent provoquer de l'électricité statique	Essayez un assouplissant.
<i>Les cols et les ceintures sont toujours humides à la fin du cycle</i>	Le capteur d'humidité détecte que la majeure partie du linge est sèche	Sélectionnez Speed Dry (Séchage rapide) ou Time Dry (Séchage minuté) pour sécher les cols et les ceintures humides. À l'avenir, lorsque vous séchez des articles possédant des cols et des ceintures, sélectionnez plutôt More Dry (Plus Sec).
<i>Légère variation de la couleur métallique</i>	C'est normal	En raison des propriétés métalliques de la peinture utilisée pour ce produit, de légères variations de couleur peuvent se produire en raison des conditions d'éclairage et des angles d'observation.
<i>La porte est trop embuée pour apercevoir les vêtements durant un cycle vapeur</i>	La vapeur se condense sur la porte intérieure	C'est normal.
<i>L'eau visible à l'intérieur de la porte et sur le haut du filtre à charpie lors de l'ouverture de la porte après un cycle vapeur</i>	La vapeur se condense sur ces surfaces	C'est normal.

Problème	Causes possibles	Correctifs
<i>De petites zones des vêtements sont humides après le programme de vapeur</i>	La vapeur se condense sur le tambour intérieur	Si vous utilisez le programme Steam Dewrinkle (Défroissage à la vapeur), réduisez manuellement la durée du programme. Si vous utilisez le programme Steam Refresh (Rafraîchissement à la vapeur), ajoutez des vêtements à la charge.
<i>Petite quantité d'eau sur le plancher devant la sècheuse</i>	Charge inadéquate pour le programme de vapeur sélectionné, l'excédent de vapeur se condense et fuit	Si vous utilisez le programme Steam Dewrinkle (Défroissage à la vapeur), réduisez manuellement la durée du programme. Si vous utilisez le programme Steam Refresh (Rafraîchissement à la vapeur), ajoutez d'autres vêtements à la charge.
<i>De l'eau sur le plancher, derrière la sècheuse</i>	Une connexion du tuyau d'eau à la valve n'est pas assez serrée	Resserrez la connexion.
	Une rondelle de caoutchouc du boyau est manquante sur la connexion avec la valve	Installez la rondelle de caoutchouc fournie avec le boyau.
<i>La sècheuse émet des bruits d'eau</i>	La valve d'eau est ouverte, bruits d'eau remplissant le générateur de vapeur	C'est normal.
	Le générateur de vapeur émet de la vapeur dans le tambour	C'est normal.
<i>De l'eau dégouline de la porte lorsque cette dernière est ouverte après un Cycle Vapeur</i>	La vapeur se condense sur la porte intérieure	C'est normal.
<i>Ne peut voir la vapeur au début du cycle</i>	La vapeur est relâchée à différents moments durant le cycle	C'est normal.
<i>Impossible de voir de la vapeur n'importe quand pendant le cycle</i>	Le bec vapeur peut être bouché de débris de l'arrivée d'eau.	Appelez 1-800.561.3344 pour commander le nécessaire de rechange de bec WE25M71 ou pour demander à un technicien de le remplacer pour vous.
<i>Les vêtements sont encore froissés après un cycle vapeur</i>	Trop de vêtements	Insérez moins de vêtements ; augmentez manuellement la durée du cycle.
<i>La sècheuse continue à fonctionner après que l'affichage indique que le programme est terminé</i>	L'option de culbutage prolongé a été sélectionnée	Assurez-vous que l'option Ext Tumble (Culbutage prolongé) n'a pas été sélectionnée. Pour le programme Steam Refresh (Rafraîchissement à la, vapeur), Ext Tumble (Culbutage prolongé) sera automatiquement mis en marche et ne pourra être arrêté.

Garantie de la sècheuse GE Appliances. (Pour des clients au Canada)



Tout le service sous garantie est fourni par nos Centres de service ou par un technicien autorisé. Pour le service, appelez le 1.800.561.3344.

Veillez fournir le numéro de série et le numéro de modèle lorsque vous appelez pour obtenir le service.

Pour le diagnostic, la réparation de votre appareil peut nécessiter l'utilisation du port de données embarqué. Celui-ci permet au technicien de réparation GE Appliances de diagnostiquer rapidement des problèmes avec votre appareil. Il permet également à GE Appliances d'améliorer ses produits en fournissant à ces derniers des informations sur votre appareil. Si vous ne voulez pas que les données de votre appareil soient envoyées à GE Appliances, veuillez demander à votre technicien de NE PAS soumettre les données à GE Appliances pendant la réparation.

Pour une période de: Nous remplacerons:

Un an

À partir de la date d'achat d'origine

Toute pièce de la sècheuse qui se révèle défectueuse en raison d'un vice de matériaux ou de fabrication. Pendant cette **garantie limitée de un an**, GE Appliances prendra en charge également, **gratuitement**, tous les frais de main-d'œuvre et les frais connexes de service pour remplacer la pièce défectueuse.

Ce qui n'est pas couvert:

- Les frais de déplacements à votre maison pour vous apprendre à utiliser votre produit.
- Une mauvaise installation, livraison ou entretien.
- Une panne du produit si celui-ci est maltraité, mal utilisé ou utilisé à des fins autres que celles auxquelles il est destiné, ou utilisé commercialement.
- Remplacement de l'ampoule lumineuse après sa durée de vie utile prévue.
- Le remplacement de fusibles de la maison ou le réenclenchement des disjoncteurs.
- Des dommages au produit causés par un accident, un incendie, une inondation ou une catastrophe naturelle.
- Tout dommage indirect ou consécutif causé par des pannes possibles de cet appareil électroménager.
- Des dommages après la livraison.
- Le service s'il est impossible d'avoir accès au produit pour l'effectuer.
- Défauts ou dommages causés par l'utilisation aux températures en-dessous de zéro C.
- Produits qui ne sont pas défectueux ou endommagés ou qui fonctionnent tel que décrit dans le manuel de l'utilisateur.

EXCLUSION DE GARANTIES IMPLICITES – Votre seul et unique recours est la réparation du produit selon les dispositions de cette Garantie limitée. Toutes les garanties implicites, incluant les garanties de qualité marchande et de convenance, sont limitées à une année ou à la période la plus courte autorisée par la législation.

Cette garantie est offerte à l'acheteur original et à tout autre propriétaire suivant pour les produits achetés au Canada pour une utilisation domestique au Canada. Le service à domicile en vertu de la garantie sera fourni dans les régions où il est disponible et où Mabe estime raisonnable de le fournir.

LE GARANT N'EST PAS RESPONSABLE DES DOMMAGES INDIRECTS.

Garant : MC Commercial, Burlington, ON

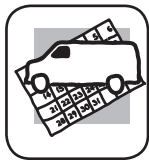
Soutien au consommateur.



Site Web appareils GE Appliances

Aux É.-U. : **GEAppliances.com**

Vous avez une question ou vous avez besoin d'aide pour votre appareil électroménager? Visitez notre site Web consacré aux appareils électroménagers GE Appliances, et ce 24 heures par jour, tous les jours de l'année! Pour des raisons de commodité et pour accélérer le service, vous pouvez maintenant télécharger les manuels du propriétaire, commander des pièces et même programmer les visites de service en ligne. **Au Canada: www.GEAppliances.ca**



Service de réparation

Aux É.-U. : **GEAppliances.com**

Un service de réparation expert GE Appliances se trouve à quelques pas de chez vous. Visitez notre site et programmez, à votre convenance, une visite de service à n'importe quel jour de l'année! Ou composez le GE Appliances 800.GE.CARES (800.432.2737) durant les heures normales de bureau.

Au Canada, composez le 1.800.561.3344



Studio de conception universel

Aux É.-U. : **GEAppliances.com**

GE Appliances appuie le concept de design universel—des produits, des services et des environnements qui peuvent être utilisés par des personnes de tous âges, tailles et capacités. Nous reconnaissons le besoin de concevoir des produits pour un vaste éventail d'aptitudes et déficiences mentales et physiques. Visitez notre site Web aujourd'hui pour obtenir plus de renseignements sur l'application du design universel par GE Appliances, y compris des conceptions de cuisine pour les personnes handicapées. Dans le cas de personnes malentendantes, veuillez composer le 800.TDD.GEAC (800.833.4322).

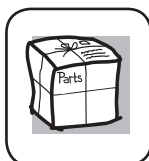
Au Canada, contactez : Manager, Consumer Relations, MC Commercial
Suite 310, 1 Factory Lane
Moncton, N.B. E1C 9M3



Prolongation de garantie

Aux É.-U. : **GEAppliances.com**

Achetez un contrat d'entretien GE Appliances et informez-vous des rabais spéciaux en vigueur pendant toute la durée de votre garantie. Vous pouvez vous le procurer en ligne ou en composant 800.626.2224 durant les heures normales de bureau. Les services à domicile GE Appliances seront toujours disponibles après l'expiration de la garantie. **Au Canada, composez le 1.800.290.9029**



Pièces et accessoires

Aux É.-U. : **GEApplianceparts.com**

Les personnes ayant les compétences requises pour réparer elles-mêmes leurs appareils peuvent recevoir directement à la maison des pièces ou accessoires (les cartes VISA, MasterCard et Discover sont acceptées). Commandez en ligne dès aujourd'hui, 24 heures sur 24 tous les jours, ou en téléphonant au 800.626.2002 durant les heures normales de bureau.

Les instructions contenues dans le présent manuel comportent des procédures que tout utilisateur peut effectuer. Les autres types de réparation doivent généralement être confiés à un technicien qualifié. Usez de prudence: une réparation ou un entretien mal effectués peuvent rendre l'utilisation de l'appareil dangereuse.

Les consommateurs **au Canada** doivent consulter les pages jaunes pour connaître le centre de service Mabe le plus proche, ou composer le 1.800.661.1616.



Communiquez avec nous

Aux É.-U. : **GEAppliances.com**

Si vous n'êtes pas satisfait du service après-vente de GE Appliances, communiquez avec nous sur notre site Web en fournissant tous les détails et votre numéro de téléphone, ou écrivez à :

General Manager, Customer Relations
GE Appliances, Appliance Park
Louisville, KY 40225

Au Canada: www.GEAppliances.ca, ou écrivez à :

Director, Consumer Relations, MC
Commercial
Suite 310, 1 Factory Lane
Moncton, N.B. E1C 9M3



Enregistrez votre électroménager

Aux É.-U. : **GEAppliances.com**

Enregistrez votre nouvel appareil en ligne au moment qui vous convient le mieux! L'enregistrement de votre produit dans les délais prescrits permet une meilleure communication et un service rapide, selon les modalités de votre garantie, si besoin est. Vous pouvez également envoyer par courrier la carte d'enregistrement pré-imprimée qui se trouve dans l'emballage de votre appareil. **Au Canada: www.GEAppliances.ca**



SECADORAS

INSTRUCCIONES DE SEGURIDAD4

INSTRUCCIONES DE FUNCIONAMIENTO

Controles 6

Puesta en Marcha 7

Carga 11

Características12

CUIDADO Y LIMPIEZA13

INSTRUCCIONES DE INSTALACIÓN14

Cómo invertir la apertura de la puerta...33

Cómo apilar la lavadora y la secadora...38

CONSEJOS PARA SOLUCIÓN DE PROBLEMAS 42

SOPORTE AL CONSUMIDOR

Garantía 46

Soporte al consumo 48

MANUAL DEL PROPIETARIO E INSTRUCCIONES DE INSTALACIÓN

- GFD49
- GFD48
- GFDR485
- GFDR480
- GHDS365
- GHDS360
- GFDR275
- GFDR270
- GFDS265
- GFDS260

Escriba aquí los números de modelo y serie:

Modelo # _____

Serie # _____

Se encuentran en una etiqueta en el frente de la secadora detrás de la puerta.

GRACIAS POR HACER QUE GE APPLIANCES SEA PARTE DE SU HOGAR.

Ya sea que haya crecido usando GE Appliances, o que ésta es su primera vez, nos complace tenerlo en la familia.

Sentimos orgullo por el nivel de arte, innovación y diseño de cada uno de los electrodomésticos de GE Appliances, y creemos que usted también. Entre otras cosas, el registro de su electrodoméstico asegura que podamos entregarle información importante del producto y detalles de la garantía cuando los necesite.

Registre su electrodoméstico GE ahora a través de Internet. Sitios Web y números telefónicos útiles están disponibles en la sección de Soporte para el Consumidor de este Manual del Propietario.

También puede enviar una carta en la tarjeta de inscripción preimpresa que se incluye con el material embalado.



GE APPLIANCES

INFORMACIÓN DE SEGURIDAD IMPORTANTE. LEA TODAS LAS INSTRUCCIONES ANTES DE USAR.

INSTRUCCIONES IMPORTANTES DE SEGURIDAD



ADVERTENCIA

Para reducir el riesgo de incendio, explosión, descargas eléctricas o lesiones sobre las personas al usar su electrodoméstico, siga las precauciones básicas, incluyendo lo siguiente:

- Lea todas las instrucciones antes de usar este electrodoméstico.
- **NO** seque prendas que en forma previa hayan sido secadas, lavadas, penetradas, o manchadas con gasolina, solventes de limpieza en seco, u otras sustancias inflamables o explosivas, ya que despiden vapores que se podrían encender o explotar.
- **NO** coloque prendas expuestas a aceites de cocción en su secadora. Las prendas contaminadas con aceites de cocción podrán contribuir a una reacción química que podría hacer que una carga de ropa se prenda fuego. Para reducir el riesgo de incendio debido a unas cargas contaminadas, la parte final del ciclo de la secadora se produce sin calor (período de enfriamiento). Evite detener una secadora antes del final del ciclo de secado a menos que todos los artículos se retiren y se dispersan rápidamente para que el calor se disipe.
- **NO** permita que los niños jueguen sobre o dentro de este electrodoméstico. Cuando el electrodoméstico se use cerca de niños, será necesario supervisarlos de cerca.
- Antes de que este electrodoméstico quede fuera de uso o se descarte, retire la puerta del compartimiento de secado.
- **NO** introduzca las manos en la secadora cuando el tambor se encuentre en movimiento.
- **NO** instale ni guarde este electrodoméstico donde quede expuesto a los factores climáticos.
- **NO** manipule indebidamente los controles.
- **NO** reparar ni reemplazar cualquier parte del electrodoméstico o realizar cualquier otro trabajo técnico, a menos que esto sea específicamente recomendado en las instrucciones de mantenimiento del usuario o en instrucciones publicadas sobre reparaciones del usuario, que entienda y para las cuales posea las destrezas necesarias.
- **NO** utilice suavizantes de tela ni productos para eliminar la estática, a menos que esto sea recomendado por el fabricante del suavizante de tela u otro producto.
- **NO** secar artículos que contengan gomaespuma o materiales de goma con textura similar.
- Limpie la rejilla para pelusas antes o después de cada carga.
- **NO** utilice la secadora si el filtro de pelusas no se encuentra colocado.
- **NO** guarde materiales combustibles, gasolina u otros líquidos inflamables cerca de la secadora. Evite la acumulación de pelusa, polvo o tierra alrededor del área de la apertura de ventilación y áreas adyacentes.
- La parte interior del electrodoméstico y el conducto de ventilación se deberán limpiar periódicamente por personal calificado del servicio técnico.
- Desenchufe el electrodoméstico o apague el disyuntor antes de realizar el servicio técnico. Presionar el botón **Power** (*Encendido*) o **Start/Pause** (*Inicio/Pausa*) **NO** desconecta el encendido.
- **NO** utilice este electrodoméstico si se encuentra dañado, funcionando mal, parcialmente desensamblado, o si tiene partes faltantes o rotas, incluyendo un cable o enchufe dañado.
- **NO** rocíe ningún tipo de aerosol dentro, sobre ni cerca de la secadora en ningún momento. **NO** use ningún tipo de limpiador en spray para limpiar el interior de la secadora. Se podrán producir vapores o una descarga eléctrica.
- Para acceder a las instrucciones de conexión a tierra, lea los "CONEXIÓN ELÉCTRICA" ubicados en las Instrucciones de Instalación.

GUARDE ESTAS INSTRUCCIONES

ADVERTENCIAS ADICIONALES SOBRE LA SECADORA A GAS

 **ADVERTENCIA**  - Riesgo de incendio o de explosión

El incumplimiento estricto de las advertencias de seguridad podría resultar en lesiones graves, la muerte o daños a la propiedad.

- NO guarde ni use gasolina u otros vapores y líquidos inflamables cerca de éste ni de otros electrodomésticos.

- **QUÉ DEBE HACER SI HUELE GAS:**

- NO intente iluminar ningún electrodoméstico.
 - NO toque ningún interruptor eléctrico; NO use teléfonos en su edificio.
 - Haga que se retiren los ocupantes de la sala, edificio o área.
 - De inmediato llame a su proveedor de gas desde el teléfono de un vecino. - Siga las instrucciones del proveedor de gas.
 - Si no se puede comunicar con su proveedor de gas, llame al departamento de bomberos.
- La instalación y las reparaciones deberán ser realizadas por un instalador calificado, agencia de servicios o el proveedor de gas.

Advertencias de la Proposición 65 del Estado de California

 **ADVERTENCIA** Este producto contiene uno o más químicos que el Estado de California entiende que producen cáncer, y defectos en el nacimiento u otros daños reproductivos.

Los electrodomésticos a gas pueden causar una exposición de bajo nivel a algunas de estas sustancias, incluyendo benceno, monóxido de carbono, formaldehído, y hollín, ocasionado principalmente por la combustión incompleta de gas natural o combustibles de LP. La exposición a estas sustancias puede ser minimizada ventilando correctamente la secadora hacia el exterior.

GUARDE ESTAS INSTRUCCIONES

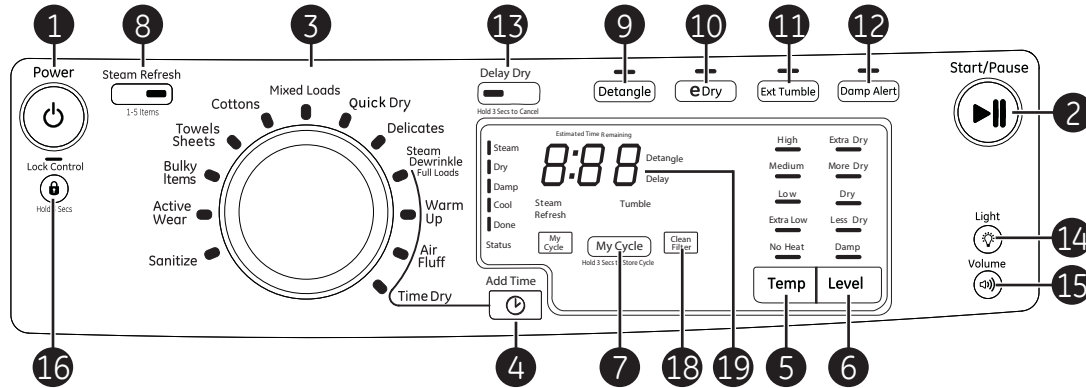
Sobre el panel de control de la secadora.



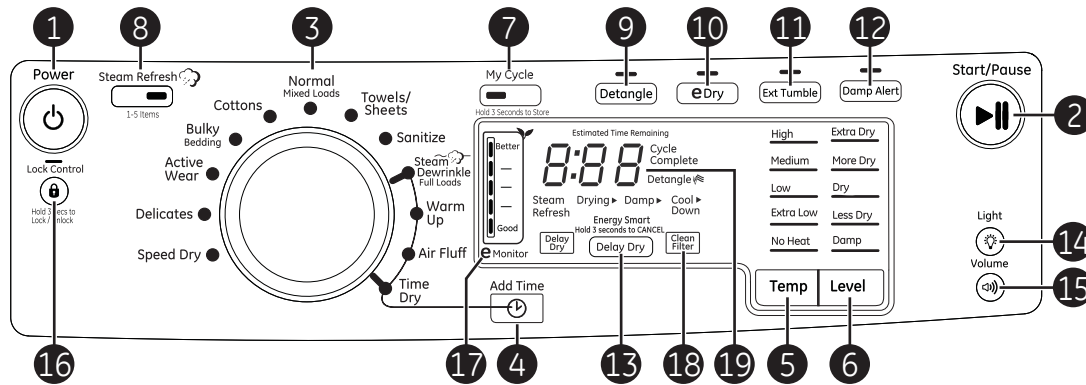
ADVERTENCIA Para reducir el riesgo de incendios, descargas eléctricas o heridas, lea las INSTRUCCIONES IMPORTANTES DE SEGURIDAD antes de utilizar este electrodoméstico.

Es posible que las funciones y apariencias varíen con relación a su modelo a lo largo del manual.

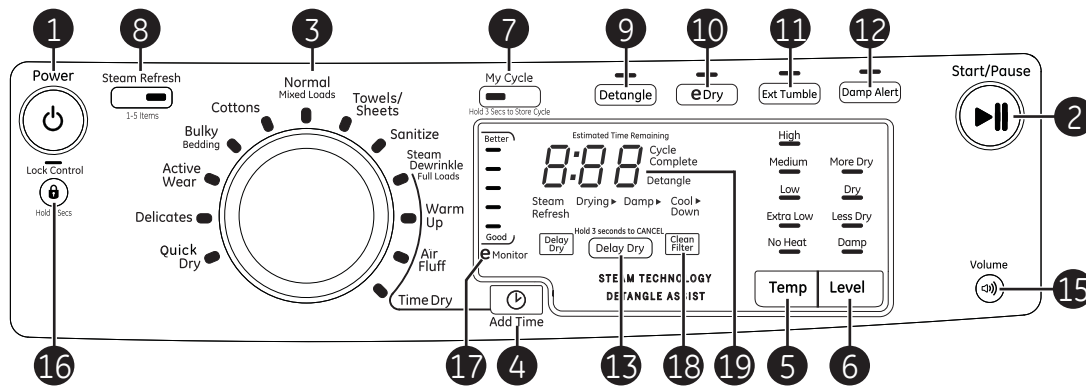
Modelos:
GFD49
GFD48



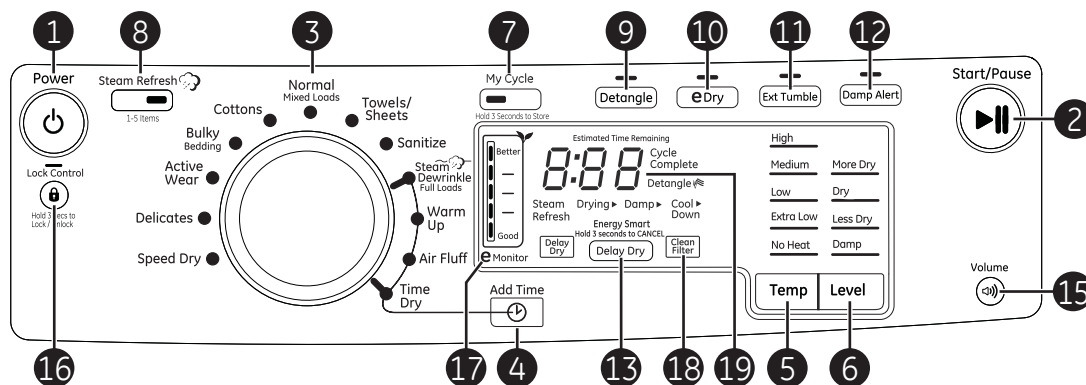
Modelos:
GFDR485
GFDR480
GHDS365
GHDS360



Modelos:
GFDR275
GFDR270



Modelos:
GFDS265
GFDS260



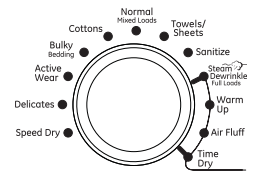
Puesta en Marcha

- 1 Presione el botón **Power** (Encendido).

Si la pantalla está oscura, presione el botón **Power** (Encendido) para “despertar” la pantalla.



- 2 Seleccione un ciclo de secado. (Existen configuraciones predeterminadas para cada ciclo. Estas configuraciones predeterminadas pueden cambiarse. Para más información, ver **Ajustes de control**.)



- 3 Presione el botón **Start/Pause** (Iniciar/Pausa).



1 Power (Encendido)

Presione para “despertar” la pantalla. Si la pantalla está activa, presione para apagar la secadora.

NOTA: Presionar **Power** (Encendido) no desconecta el artefacto del suministro de energía.

2

Start/Pause



Start/Pause (Inicio/Pausa)

Presione para comenzar un ciclo de secado. Si la secadora está funcionando, presiónelo una vez y la secadora se detendrá. Presiónelo de nuevo para volver al ciclo de secado.

3

Ciclos de secado

El ciclo de secado controla el tiempo y velocidad de giro del proceso de secado. El cuadro que aparece a continuación le ayudará a establecer el ajuste de secado según las cargas.

Normal/Mixed Loads (Carga normal/mixta)	Para cargas que cuentan con algodones y mezclas de poliéster.
Cottons (Algodones)	Para algodones y la mayoría de los linos. NOTA: Los modelos de Energy Star® son probados en Cottons (Algodones) con la configuración predeterminada.
Bulky/Bedding o Bulky Items (Prendas voluminosas)	Para abrigos grandes, prendas de cama, cubiertas de colchones, bolsas de dormir, mantas, edredones, fundas y tapetes pequeños, y artículos tales como grandes y gruesos similares.
Active Wear (Ropa deportiva)	Prendas utilizadas para ejercicio físico activo y algunas prendas informales. Las telas incluyen acabados de tecnología nueva y fibras elásticas como el Spandex. También para vestimenta con etiqueta Easy Care (Cuidado Fácil) y Perma Press (Planchado Permanente); Para prendas y tejidos sin arrugas y planchado permanente.
Delicates (Delicados)	Para lencería y telas delicadas.
Speed Dry o Quick Dry (Secado rápido)	Para cargas pequeñas que se necesitan cuando antes, como uniformes deportivos o escolares. También puede usarse si el ciclo anterior dejó húmedas algunas partes, como cuellos o cinturas.
Towels/Sheets Toallas/ Sábanas	Use para toallas O sábanas no se recomienda mezclar toallas y sábanas en la misma carga.
Sanitize (Sanitize)	Reduce ciertos tipos de bacterias en un 99.8%, incluyendo: Staphylococcus aureus, Pseudomonas aeruginosa, y Klebsiella pneumoniae. El proceso antibacterial ocurre cuando se utiliza un alto nivel de calor durante una parte este ciclo de secado.
Steam Dewrinkle (Estirar por vapor)	Proporciona 20 minutos de secado a vapor para desarrugar la ropa. Ideal para cargas que se dejan en la secadora durante períodos prolongados.
Warm Up (Calentamiento)	Brinda 10 minutos de calentamiento de las ropas.
Air Fluff (Esponjado con aire)	Proporciona 10 minutos de giro del tambor sin calor.

Time Dry (Secado cronometrado)

Utilícelo para configurar su propio tiempo de secado. **Time Dry (Secado cronometrado)** también se recomienda para cargas de poco volumen. Para utilizar **Time Dry**:

1. Gire la perilla de ciclo a **Time Dry (Secado cronometrado)**.
2. Seleccione el tiempo de secado presionando el botón **Add Time (Tiempo de agregar)**. **Nota:** Este botón sólo aumenta el tiempo. Al alcanzar el tiempo máximo, si presiona el botón de nuevo se reconfigura el contador en la configuración más baja.
3. Seleccione **Temp (Temperatura)**.
4. Cierre la puerta.
5. Presione **Start/Pause (Inicio/Pausa)**.

Ajustes de control.

4 **Add Time** **Add Time (Agregue Tiempo)**
 Presione para agregar tiempo a los ciclos **Steam Dewrinkle (Desarrugar al Vapor)**, **Warm Up (Calentar)**, **Air Fluff (Secado por Aire)** o **Time Dry (Secado por Tiempo)** en incrementos de 10 minutos.


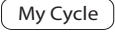
5 **Temp** **Temp (Temperatura)**
Usted puede cambiar la temperatura de su ciclo de secado.

High (Alto)	Para algodones normales a pesados.
Medium (Medio)	Para sintéticos, mezclas y prendas marcadas como planchado permanente.
Low (Bajo)	Para delicados, sintéticos y prendas marcadas como Tumble Dry Low (secado bajo en secadora).
Extra Low (Extra bajo)	Para lencería y telas delicadas.
Sin Calor	Esta opción sólo puede ser usada con Air Fluff (Secado por Aire), donde las prendas dan vueltas sin calor.

6 **Level** **Level (Nivel)**
El sensor continuamente monitorea la cantidad de humedad de la carga. Cuando la humedad de sus ropas alcanza su nivel de secado seleccionado, la secadora se detendrá.

NOTA: El **Nivel** de secado por sensor sólo funciona con los ciclos **Cottons (Algodones)**, **Normal (Normal)**, **Active Wear (Uso Activo)**, **Delicates (Prendas Delicadas)**, **Speed Dry (Secado Rápido)**, **Bulky (Abultado)**, **Towels/ Sheets (Toallas/ Sábanas)**, **Sanitize (Desinfectar)** y **Steam Dewrinkle (Desarrugar al Vapor)**.

Extra Dry (Secado extra) <i>(en algunos modelos)</i>	Para telas muy resistentes o prendas que deben estar muy secas, como las toallas.
More Dry (Más seco)	Úselo para telas pesadas o de tipo mixto.
Dry (Seco)	Úselo para un nivel de secado normal adecuado para la mayoría de las cargas. Este es el ciclo preferido para ahorrar energía.
Less Dry (Menos seco)	Úselo para telas más livianas (ideal para planchado).
Damp (Húmedo)	Para dejar las prendas parcialmente húmedas.

7 **My Cycle** **My Cycle (Mi ciclo)**

Hold 3 Seconds to Store

Hold 3 Secs to Store Cycle
(Dependiendo del modelo)

Ingrese su combinación favorita de configuraciones y guárdelas aquí para poder acceder a ellas con un toque. Estas configuraciones personales pueden ingresarse mientras un ciclo está en funcionamiento.

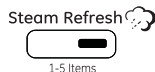
Para guardar una combinación de configuraciones My Cycle (Mi ciclo):

1. Seleccione su ciclo de secado.
2. Cambie las configuraciones de **Temp** y **Level** para ajustarse a sus necesidades.
3. Seleccione cualquier opción de secado que desee en opciones.
4. Presione y sostenga el botón **My Cycle (Mi ciclo)** durante tres segundos para conservar su selección. Sonará un pitido y el botón se encenderá.

Para recordar su combinación conservada My Cycle (Mi ciclo):
Presione el botón **My Cycle (Mi ciclo)** antes de secar una carga.

Para cambiar su combinación conservada My Cycle (Mi ciclo):
Repetir los pasos de 1-4.

8



Steam Refresh Cycle (Renovación por Vapor)

Para prendas secas ligeramente arrugadas. Reduce significativamente las arrugas en 5 prendas. Después del ciclo **Steam Refresh** (Renovación por vapor), la unidad emitirá un pitido y mostrará y "0:00". Si la unidad no se apaga o si la puerta no se abre, la secadora seguirá girando por 30 minutos. Al finalizar los 30 minutos, aparecerá en la pantalla "0:00" y el ciclo completo.

NOTA: En el ciclo de renovación por vapor puede hacer falta que se agregue una prenda adicional a una prenda única de tela extremadamente liviana para lograr resultados óptimos.

9

Detangle (Desenredar)

Activa giros de tambor alternantes adelante y atrás para reducir el enredo de la ropa, seca de forma más pareja, y mejora los tiempos de secado. Esta función es beneficiosa para las cargas típicas tales como aquellas combinadas con prendas de cama y de baño, donde las sábanas, toallas y fundas de almohadas se lavan juntas. Cuando la secadora invierta la dirección, habrá una pequeña pausa y el sonido cambiará. Esto es normal.

NOTA: El ciclo **Detangle** (Desenredar) está seleccionado por defecto para los ciclos **Towels/Sheets** (Toallas/Sábanas) y **Bulky/Bedding** (Prendas Voluminosas).

10

eDry

Reduce el consumo total de energía de ciclos específicos de la secadora mediante el ajuste de ciertas configuraciones de calor.

NOTA: Los tiempos de los ciclos cambiarán cuando se selecciona e-Dry.

Esta característica puede utilizarse con **Cottons** (Algodones), **Normal** (Carga normal), **Active Wear** (Ropa deportiva), **Delicates** (Delicados), **Speed Dry** (Secado rápido), **Bulky** (Prendas voluminosas), **Towels-Sheets** (Toallas/ Sábanas), **Sanitize** (Sanitize) and **Steam Dewrinkle** (Estirar por vapor).

11

Extended Tumble (Secado prolongado)

Minimiza las arrugas al agregar aproximadamente 60 minutos de secado sin calor después de que las prendas están secas. El pitido sonará cada cinco minutos como recordatorio de que se deben retirar las prendas.

La pantalla de tiempo estimado restante mostrará "0:00".

El tiempo de giro extendido no se agrega al tiempo del ciclo en la pantalla.

12

Damp Alert (Alerta de humedad)

Esta opción hace que la secadora emita un pitido cuando las prendas se han secado hasta un nivel húmedo. Retire las prendas que quiere colgar.

Damp Alert (Alerta de humedad) sólo sonará cuando se selecciona esta opción, y la secadora continuará de secar.

Quitar algunas prendas y colgarlas cuando están húmedas puede reducir la necesidad de plancharlas.

13

(Dependiendo del modelo)

Delay Dry (Secado retardado)




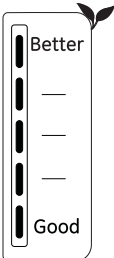


Utilícelo para retardar el inicio de su secadora.

1. Elija un ciclo de secado y cualquier otra opción.
2. Presione **Delay Dry** (Secado retardado). Usted puede cambiar el tiempo de inicio retardado en unidades de 1 hora utilizando el botón de **Delay Dry** (Secado retardado).

3. Presione **Start/Pause** (Inicio/Pausa) para iniciar la cuenta regresiva.

NOTA: Si la puerta se abre mientras la secadora se encuentra en **Delay Dry** (Secado retardado), la cuenta regresiva no volverá a iniciarse a menos que la puerta esté cerrada y el botón **Start/Pause** (Inicio/Pausa) se haya presionado de nuevo.

Réglage des contrôles.

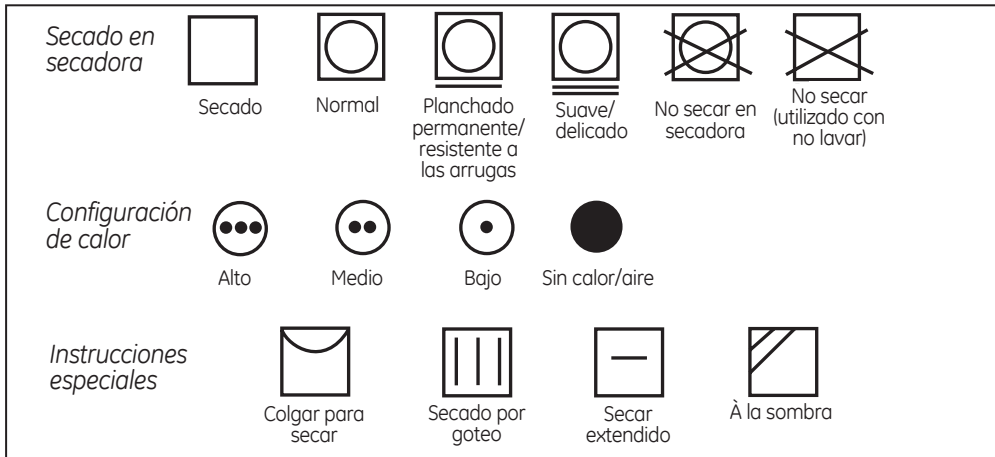
- 14** **Light** *Light (Luz) (en algunos modelos)*

Presione el botón para encender la luz de la secadora.
Presione el botón nuevamente para apagar la luz.
NOTA: La luz se apagará sola luego de un minuto cuando la puerta se cierre.
- 15** **Volume** *Volume (Volumen)*

Este botón cuenta con dos funciones:
■ Para cambiar el nivel de volumen de la señal de final del ciclo, presione el botón tantas veces como sea necesario hasta llegar al volumen deseado. Hay cuatro niveles de sonido, incluyendo OFF (Apagado).
■ Para colocar los sonidos del botón en ON/OFF (Encender/ Apagar), mantenga presionado el botón durante 3 segundos (en algunos modelos).
- 16** **Lock Control** *Lock Control (Bloquear de control)*

Hold 3 Secs to Lock / Unlock
Puede bloquear los controles para impedir que se realice cualquier selección. O bien puede bloquear los controles después de haber iniciado un ciclo.
Con esta opción seleccionada, los niños no podrán poner en marcha la secadora de manera fortuita aunque toquen el panel.
Para bloquear la secadora, mantenga pulsado el botón **Lock Control (Bloquear de control)** durante 3 segundos.
Para desbloquear los controles de la secadora, mantenga pulsado el botón **Lock Control (Bloquear de control)** durante 3 segundos.
Se escuchará un sonido que indica la condición de bloqueado/desbloqueado.
La luz indicadora sobre el botón se iluminará cuando los controles estén bloqueados.
NOTA: El botón Power (Encendido/Apagado) puede seguir utilizándose cuando la lavadora está bloqueada.
- 17** **eMonitor** *eMonitor (en algunos modelos)*

eMonitor
La luz del **eMonitor** muestra la energía relativa usada para el ciclo y opciones seleccionadas. Ellas son utilizadas como una guía de energía y el rango es de Bueno (1 luz) a Mejor (5 luces). El ciclo (Tiempo), nivel de secado, temperatura y opciones adicionales de rotación pueden incrementar o disminuir la eficiencia de energía. Algunos ciclos no mostraran luz de advertencia.
- 18** **Clean Filter** *Clean Filter Message (Mensaje limpiar el filtro)*

Este mensaje representa sólo un recordatorio y **no** siempre aparece cuando debe limpiarse el filtro. El filtro debe limpiarse después de la finalización de cada ciclo de secado.
Este mensaje desaparecerá después de presionar el botón **Start/Pause (Inicio/Pausa)**. Aunque haya limpiado el filtro (antes o después de presionar el botón **Power (Encendido/Apagado)**, seguirá apareciendo el mensaje **"Clean Filter"** (Mensaje limpiar el filtro) hasta que se active el botón **Start/Pause (Inicio/Pausa)**.
- 19** **Pantalla**

Muestra el tiempo restante estimado hasta el final del ciclo.
A medida que inicia el ciclo, podrá ver un tiempo de ciclo total inicial aproximado en la pantalla.
Las luces se encenderán "a modo de carrera" en la pantalla. Esto significa que la secadora está monitoreando continuamente la cantidad de humedad en la carga. Las luces continuarán encendiéndose hasta que la secadora detecte un nivel de humedad bajo en la carga. En este punto la secadora calculará y mostrará el tiempo restante aproximado.

Siempre siga las instrucciones del fabricante de la ropa cuando lave.

Etiquetas sobre cuidado de las telas

A continuación incluimos los "símbolos" de las etiquetas sobre cuidado de las telas que podrían afectar a las ropas que está lavando.

ETIQUETAS DE SECADO



Consejos de clasificación y carga

ADVERTENCIA - Riesgo de incendio

- Mantenga cualquier material y vapores inflamables, tales como gasolina, alejados de la secadora.
- **NO** seque nada que alguna vez haya tenido algo inflamable en éste (incluso luego de lavar).
- Ninguna lavadora puede eliminar el aceite por completo.
- **NO** seque nada que alguna vez haya tenido algún tipo de aceite (incluyendo aceites de cocina).
- Las prendas con gomaespuma, goma, o plástico deberán ser secadas en un tendedero.
- Si no se cumple con esto, se podrá producir muerte, explosión o incendio.

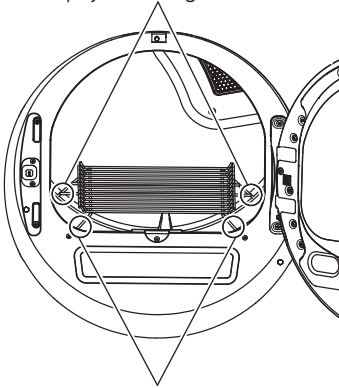
Como regla general, si las prendas están bien clasificadas para la lavadora, estarán bien clasificadas para la secadora. También trate de clasificar las prendas de acuerdo al tamaño. Por ejemplo, no seque una sábana con medias u otros elementos pequeños.

No agregue suavizante de telas una vez que la carga se ha calentado. Esto puede provocar manchas de suavizante. El acondicionador de telas Bounce® en hojas para secadoras ha sido aprobado para su uso en esta secadora cuando se utiliza de acuerdo con las instrucciones del fabricante.

No la sobrecargue. Eso malgasta energía y provoca arrugas.

Sobre las características de la secadora.

Deje descansar las patas traseras en el apoyo del ángulo trasero.



Deje descansar las patas delanteras en el apoyo del ángulo delantero.

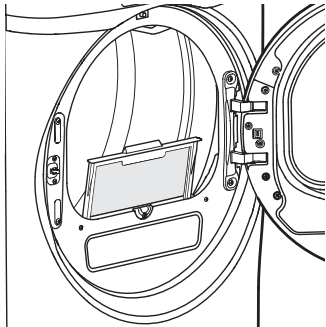
La rejilla de secado (en algunos modelos)

La rejilla de secado se puede usar para secar artículos delicados tales como suéteres lavables. Coloque las prendas planas en la rejilla de secado y asegure prendas tales como suéteres y telas delicadas. Seque con calor bajo.

Para instalar el estante de secado, extienda el mismo en el tambor de la secadora. Deje descansar las dos patas delanteras sobre el apoyo del ángulo frontal y luego deje descansar las dos patas traseras en el apoyo del ángulo trasero.

NOTAS:

- La rejilla de secado se encuentra diseñada para utilizar con los ciclos **Time Dry** (Secado cronometrado). El uso con ciclos por sensor pueden dejar las prendas húmedas o generar ciclos prolongados.
- No utilice esta rejilla de secado cuando haya otras prendas en la secadora que no se encuentren en la rejilla.
- La rejilla de secado, WE01X22274, está disponible como accesorio. Pida en línea en **GEApplianceParts.com**, 24 horas al día o por teléfono al **877.959.8688** durante las horas normales de trabajo.



El exterior: Pásele un trapo y elimine el polvo o cualquier derrame de productos de lavandería con un trapo húmedo. Los productos de tratamiento para quitar mugre y manchas podrían dañar el panel de control de la secadora y afectar su apariencia. Aplique estos productos a cierta distancia de la secadora. Luego las telas podrán lavarse y secarse normalmente. Los daños causados a la secadora por estos productos no están cubiertos bajo su garantía.

El filtro de pelusa: Limpie el filtro de pelusa antes de cada uso.

Saque el filtro de pelusa. Humedezca sus dedos y quite la pelusa capturada. Una vez que se encuentre limpio, deslice el filtro nuevamente a su lugar. Pida a un técnico de servicio calificado que aspire la pelusa de la secadora una vez al año.

NUNCA OPERE LA SECADORA SIN EL FILTRO EN SU LUGAR.

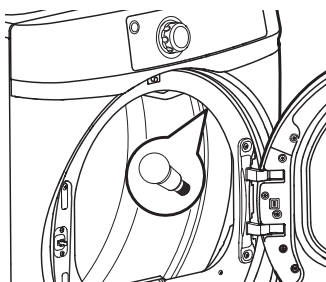
Acero inoxidable: Para limpiar superficies de acero inoxidable, utilice un paño húmedo con un limpiador suave y no abrasivo adecuado para superficies de acero inoxidable. Quite los restos de limpiador y luego seque con un paño limpio.

El acero inoxidable utilizado para fabricar el tambor de la secadora ofrece la mayor confiabilidad de una secadora GE Appliances. Si el tambor de la secadora se raya o abolla durante un uso normal, éste no se oxidará o corroerá. Estas imperfecciones de la superficie no afectan la función o durabilidad del tambor.

Interior y conducto de la secadora: Un técnico calificado debe limpiar la parte interna del aparato y del conducto de salida una vez por año.

El ducto de escape: Inspeccione y limpie el ducto de escape por lo menos una vez al año para evitar las obstrucciones. Un escape parcialmente taponado puede prolongar el plazo de secado.

La salida de escape: Verifique, utilizando un espejo, que las aletas interiores de la salida de escape se mueven libremente durante la operación. Asegúrese de que ningún animal (pájaros, insectos, etc.) haya hecho su nido en el interior del conducto o en la salida de escape.



La bombilla del tambor giratorio

(reemplazable por el consumidor en algunos modelos)

NOTA: La lámpara del tambor no puede ser reemplazada por el consumidor en los modelos donde hay una cubierta en forma de cúpula sobre una bombilla LED. Si esta luz dejara de funcionar, comuníquese al servicio técnico.

Para los modelos que tienen una cubierta plana sobre la bombilla, asegurada por un tornillo:

Antes de reemplazar la bombilla, asegúrese de desconectar la secadora del tomacorriente o de desconectar la secadora del panel de distribución de su casa removiendo el fusible o interrumpiendo el circuito eléctrico. Alcance por encima de la abertura de la puerta de la secadora dentro del tambor para localizar la cubierta plana.

Quite el tornillo y la cubierta de plástico para acceder a la bombilla. Reemplace con la bombilla apropiada y luego coloque de nuevo la cubierta y el tornillo.

Ordene la lámpara de reemplazo **WE4M305** a través de Internet en **GEApplianceParts.com**, en forma telefónica al **800.626.2002** durante el horario comercial normal, o adquiera la lámpara del electrodoméstico **7C7** a través de su vendedor minorista.

La lámpara del tambor se enciende automáticamente cuando la puerta de la secadora está abierta. En algunos modelos, se puede activar también desde el panel de control.

Instrucciones de instalación

Secadora

Si tiene alguna pregunta, llame a GE Appliances 800.GE.CARES (800.432.2737) o visite nuestro sitio Web en: GEAppliances.com
En Canadá, llame a 1.800.561.3344 o visite www.GEAppliances.ca

ANTES DE COMENZAR

Lea estas instrucciones por completo y con detenimiento.

- **IMPORTANTE** – Guarde estas instrucciones para el uso de inspectores eléctricos locales.
- **IMPORTANTE** – Cumpla con todos los códigos y ordenanzas vigentes.
- Instale la secadora de acuerdo con las instrucciones del fabricante y los códigos locales.
- **Nota al instalador** – Asegúrese de dejar estas instrucciones con el consumidor.
- **Nota al usuario** – Conserve estas instrucciones para referencia futura.
- La instalación de la secadora debe efectuarla un instalador calificado.
- Esta secadora **debe** tener una salida al exterior.
- Antes de que la secadora antigua sea retirada del servicio o eliminada, quítele la puerta.
- La información sobre reparaciones y el diagrama del cableado se encuentran en la consola de control.
- No permita que niños se suban o se metan dentro del artefacto. Se requiere una supervisión estricta cuando el aparato es utilizado cerca de niños.
- El instalador tiene la responsabilidad de efectuar una instalación adecuada.
- La garantía no cubre las fallas del producto debido a una instalación incorrecta. .
- Instale la secadora en lugares donde la temperatura sea mayor a 50°F para un funcionamiento satisfactorio del sistema de control de la secadora.
- Quite y descarte el conducto existente de plástico o de papel de aluminio y coloque un conducto aprobado por UL.

ADVERTENCIA - Riesgo de incendio

- La instalación de la secadora debe efectuarla un instalador calificado.
- Instale la secadora de ropa de acuerdo con estas instrucciones y en cumplimiento con los códigos locales
- **NO** instale una secadora de ropa con conductos de plástico flexible. Si se instala un conducto flexible de metal (semi rígido o de tipo papel de aluminio), debe estar aprobado por UL e instalarse de acuerdo con las instrucciones de “Cómo conectar la secadora a la ventilación doméstica” de este manual. Los materiales de los conductos flexibles a menudo se desploman, se aplastan y atrapan pelusas. Estas condiciones obstruyen la corriente de aire de la secadora e incrementan el riesgo de incendio.
- **NO** instale o almacene este aparato en un lugar donde se vea expuesto al agua o a las inclemencias del tiempo.
- Para reducir el riesgo de una lesión grave o de muerte, cumpla con todas las instrucciones de instalación.
- Guarde estas instrucciones. (Instaladores: Asegúrese de dejar estas instrucciones al consumidor).

SECADORAS A GAS ÚNICAMENTE

EN LA MANCOMUNIDAD DE MASSACHUSETTS, SE APLICAN LAS INSTRUCCIONES DE INSTALACIÓN SIGUIENTES:

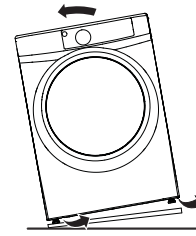
- Este producto debe instalarlo un plomero matriculado o un instalador de gas.
- Cuando use válvulas esféricas de apagado de gas, deberán ser del tipo de manija en T.
- Si se usa una conexión flexible para gas, ésta no debe superar 1 m (3 pies).

Instrucciones de instalación

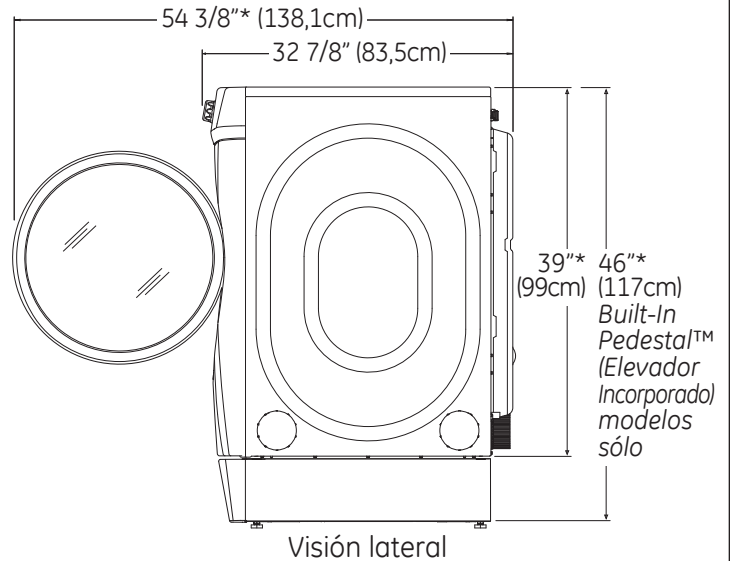
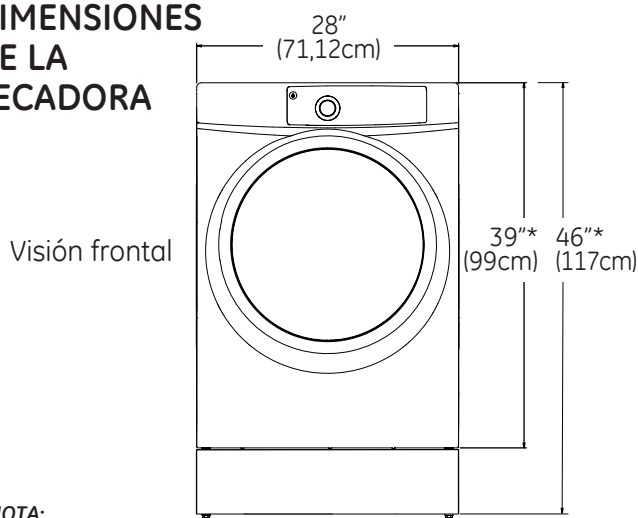
CÓMO DESEMPACAR LA SECADORA

Incline la secadora de costado y saque los paños de espuma de embalaje tirando de los costados y quitándolos de las patas de la secadora. Asegúrese de quitar todas las piezas de espuma de las patas.

Saque la bolsa que contiene la información.



DIMENSIONES DE LA SECADORA



*NOTA:

Con patas: 40 1/2" (102,5 cm) (ajustabilidad de 3/4" (1,9 cm))

Con Built-In Pedestal™ (Elevador Incorporado): 46" (117 cm) - (3/4" (1,9 cm) adjustability)

Con pedestal opcional (GFXP1308): 52" (132,1 cm) (ajustabilidad de 3/4" (1,9 cm))

Apilada: 78 1/4" (198,8 cm) - No es aplicable para los modelos con pedestal incorporado™.

MANGUERA DE VAPOR Y AGUA (sólo para los modelos de secadoras de vapor):

GE Appliances recomienda enfáticamente el uso de piezas específicas de fábrica. A continuación figura una lista de mangueras de fábrica que podrá adquirir. Dichas mangueras son fabricadas y probadas de modo que se cubran las especificaciones de GE Appliances.

GE Appliances recomienda enfáticamente el uso de nuevas mangueras de suministro de agua. Con el paso del tiempo, las mangueras se degradan y deben ser reemplazadas cada 5 años, a fin de reducir el riesgo de fallas sobre las mismas y daños con el agua.

Piezas y Accesorios

Ordene hoy a través de Internet en GEAppliancesparts.com, las 24 horas del día o en forma telefónica llamando al **877.959.8688**, durante el horario comercial habitual.

No. de parte	Accesorio
WE25X20060 O	Kit Completo (mangueras, lavadora con adaptador en Y)
WH41X10356	Manguera Larga y
WH41X10357	Manguera Corta

CABLES DE CORRIENTE:

GE Appliances recomienda enfáticamente el uso de piezas específicas de fábrica. Seleccione el cable de corriente que se adecúe a sus requisitos de instalación.

No. de parte	Tipo	Longitud	Amperios
WX9X2	3-Clavijas	4 Pies	30
WX9X3	3-Clavijas	5 Pies	30
WX9X4	3-Clavijas	6 Pies	30
WX9X18	4-Clavijas	4 Pies	30
WX9X19	4-Clavijas	5 Pies	30
WX9X20	4-Clavijas	6 Pies	30

ACCESORIOS:

Ordene hoy a través de Internet en GEAppliancesparts.com, las 24 horas del día o en forma telefónica llamando al **800.626.2002**, durante el horario comercial habitual.

No. de parte	Accesorio
GFP1328SK	Pedestal blanco 28" de ancho
GFP1328PK	Pedestal gris diamante 28" de ancho
GEFLSTACK	Kit de apilado de la secadora en una lavadora
PM08X10085	Tubo flexible de metal de transición para la secadora
WE01X22274	Estante de secadora para zapatos

Instrucciones de instalación

REQUERIMIENTOS PARA INSTALACIÓN EN NICHOS O ARMARIOS

ADVERTENCIA - Riesgo de explosión

Mantenga cualquier material y vapores inflamables, tales como gasolina, alejados de la secadora.

Coloque la secadora a por lo menos 18" (46 cm.) del piso cuando sea instalada en un garaje.

Si no se cumple con esto, se podrá producir una explosión, incendio o la muerte.

- Esta secadora DEBE tener una ventilación al exterior.
- El espacio libre mínimo entre el armario de la secadora y las paredes adyacentes u otras superficies es:
 - 0" sobre ambos lados
 - 1" sobre el frente y la parte trasera
 - 1" superior
- Se deberá considerar que se debe brindar el despeje adecuado para la instalación y el servicio técnico.
- Las puertas del armario deben contar con rejillas u otro tipo de ventilación y tener por lo menos 60 pulgadas cuadradas de espacio abierto. Si el armario incluye una lavadora y una secadora, las puertas deben contener un mínimo de 120 pulgadas cuadradas de espacio abierto.

NOTA: CUANDO EL CONDUCTO DE SALIDA ESTÁ UBICADO EN LA PARTE TRASERA DE LA SECADORA, LA CONFIGURACIÓN DEL DUCTO PODRÍA REQUERIR DETRÁS UN CLARO MAYOR A 3 PULGADAS.

Secadoras a Gas Únicamente:

- No se deberá instalar ningún otro electrodoméstico que consuma combustible en el mismo armario donde haya una secadora a gas.
- La secadora se deberá desconectar de la tubería de suministro de gas durante la prueba de presión en presiones superiores a ½ psi (3.5 kPa).
- Una rosca cubierta NPT de 1/8", accesible para la conexión de un dispositivo de calibración, deberá ser instalada inmediatamente arriba de la conexión del suministro de gas a la secadora.

ESPACIO LIBRE MÍNIMO EN OTROS ESPACIOS QUE NO SEAN INSTALACIONES EN NICHOS O ARMARIOS

Los espacios libres mínimos respecto de superficies combustibles y de aberturas de aire son: 0" a ambos lados, 1" en la parte trasera y 1" superior. Debe tenerse en cuenta un espacio libre adecuado para un funcionamiento y reparación correctos.

INSTALACIÓN EN CASAS MÓVILES O PREFABRICADAS

- Instalación DEBE cumplir con la NORMA SOBRE CONSTRUCCIÓN Y SEGURIDAD DE CASAS PREFABRICADAS, TÍTULO 24, PARTE 3280 o NORMA PARA CASAS RODANTES CAN/CSA-Z240 MH, o, cuando dicha norma no sea aplicable, con la NORMA NACIONAL ESTADOUNIDENSE PARA CASAS MÓVILES, ANSI/NFPA N° 501B.
- La secadora DEBE tener ventilación al exterior.
- La ventilación del escape DEBERÁ estar ajustado de forma segura a una parte no combustible de la casa rodante.
- La ventilación NO DEBE terminar debajo de una casa móvil o prefabricada.
- El material del conducto de ventilación DEBE SER METAL.
- DEBE utilizarse el KIT 14-D346-33 para conectar bien la secadora a la estructura.
- La ventilación NO DEBE conectarse a ningún otro conducto, ventilación o chimenea.
- **NO** utilice tornillos para placas de metal u otros dispositivos de sujeción que se extiendan al interior de la ventilación de salida.
- Debe contar con una abertura con un espacio libre de por lo menos 25 pulgadas cuadradas para el ingreso de aire exterior dentro de la secadora habitación.
- Para acceder a información sobre la conexión eléctrica, consulte la section.

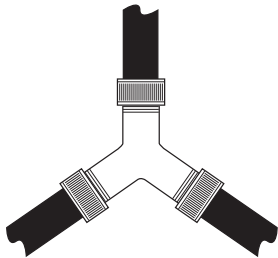
CÓMO CONECTAR MANGUERAS DE ENTRADA

CÓMO CONECTAR MANGUERAS DE ENTRADA

Para producir vapor, la secadora debe conectarse al suministro de agua fría. Ya que la lavadora también debe conectarse al agua fría, debe introducirse un conector en "Y" para permitir que ambas mangueras de entrada puedan utilizarse al mismo tiempo.

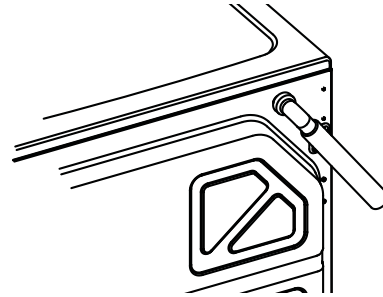
NOTA: Utilice nuevas mangueras de entrada; nunca utilice mangueras viejas.

1. Cierre el grifo de agua fría. Quite la manguera de entrada de la lavadora del conector de la válvula de llenado (fría).
2. Asegúrese de que la arandela plana de goma se encuentre en su lugar y sujete una unión hembra de la manguera corta provistas en el conector de la válvula de llenado de la lavadora. Ajuste a mano hasta que esté firmemente asentada.
3. Sujete un extremo macho del conector en "Y" a la unión hembra de la manguera corta. Asegúrese de que la arandela plana de goma se encuentre en su lugar. Ajuste a mano hasta que esté firmemente asentada.



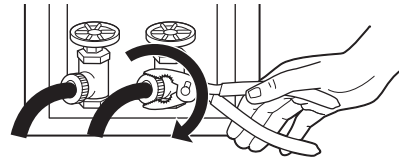
4. Introduzca el filtro en la unión de la manguera de entrada de la **lavadora**. Si la arandela plana de goma ya se encuentra en su lugar, quítela antes de instalar el filtro. Sujete esta unión a un extremo macho del conector en "Y". Ajuste a mano hasta que esté firmemente asentada.
5. Asegúrese de que la arandela de goma plana se encuentra en su posición y coloque una manguera de entrada de agua de 4 a 6 pies de largo (puede ser necesario comprarla por separado) a un extremo macho del conector "Y". Apriete con la mano hasta que quede firmemente asentado.
6. Asegúrese de que la arandela plana de goma se encuentre en su lugar y sujete el otro extremo de la manguera larga de entrada al conector de la válvula de llenado en la parte inferior del panel trasero de la **secadora**. Ajuste a mano hasta que esté firmemente asentada.

CÓMO CONECTAR MANGUERAS DE ENTRADA (cont.)



7. Utilizando alicates, ajuste todas las uniones con un giro adicional de dos tercios.

NOTA: No ajuste de más. Pueden dañarse las uniones.



8. Abra el grifo de agua.
9. Controle la presencia de pérdidas alrededor del conector en "Y", el grifo y las uniones de las mangueras.

REQUISITOS DE SUMINISTRO DE AGUA

Los grifos de agua caliente y fría **DEBEN** instalarse dentro de las 42 pulg. (107 cm) de la entrada de agua de la lavadora. Los grifos **DEBEN** ser del tipo de manguera de jardín de 3/4 pulg. (1.9 cm) para que las mangueras de entrada puedan conectarse. La presión de agua **DEBE** hallarse entre 10 y 120 libras por pulgada cuadrada. La compañía de agua puede informarle sobre la presión de agua.

NOTA: Se recomienda el uso de un suavizante de agua para reducir la acumulación de sarro dentro del generador de vapor si el suministro doméstico contiene agua muy dura.

Instrucciones de instalación

CÓMO CONECTAR UNA SECADORA A GAS

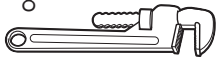
(si se cuenta con una secadora eléctrica, saltar este paso)

HERRAMIENTAS NECESARIAS

- Llaves ajustables de 10" (2)



- Llave para tubos de 8"



- Pinzas



- Destornillador de lados planos



- Nivel



MATERIALES NECESARIOS

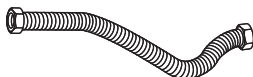
- Codo de metal de 4" diámetro



- Compuesto o PTFE cinta para tuberías



- Conector de tubería de gas flexible



- Abrazaderas de tubería (2) o abrazaderas de resorte (2)



- Gafas de seguridad



- Conducto de metal de 4" diámetro (recomendado)



- 4" Placa de cubierta (Kit WE49X22606)



- Conducto de metal flexible de 4" diámetro (si fuese necesario)



- Guantes



- Solución jabonosa para detección de pérdidas



- Campana de salida



- Cinta aislante



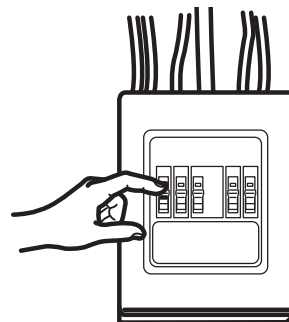
- Gas adaptador (2), codo, y tapón de tubería



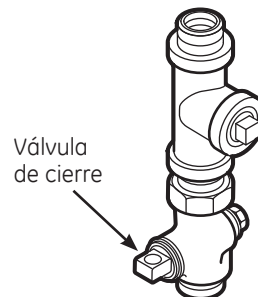
- Manguera de agua de 4 a 6 pies (en algunos modelos)



- Antes de comenzar la instalación, apague el disyuntor o quite los fusibles de la secadora de la caja eléctrica. Verifique que el cable de la secadora esté desenchufado del tomacorriente.



- Gire a la posición OFF (apagado) la válvula de gas de la secadora de la línea de suministro.



- Desconecte y elimine el conector flexible de gas y el material del conducto.



Instrucciones de instalación

REQUERIMIENTOS DE GAS

ADVERTENCIA - Riesgo de explosión

- Use una línea nueva de suministro de gas flexible que esté aprobada por CSA International. Nunca vuelva a usar conectores flexibles viejos.
 - Instale una válvula de cierre manual individual dentro de 6 pies de la secadora en acuerdo con el Código Nacional de Gas Combustible, ANSI Z223.1 / NFPA 54.
 - De forma segura ajuste todas las conexiones de gas.
 - Si la conexión fue realizada a gas LP, solicite a una persona calificada que le asegure que la presión del gas **NO** supera una columna de agua de 13".
 - Ejemplos de una persona calificada incluyen: Personal de calefacción calificado, personal autorizado de una compañía de gas, y personal autorizado del servicio técnico.
 - Si no se cumple con esto, se podrá producir la muerte, una explosión o incendio.
- La instalación deberá ser conforme con los códigos locales, o en ausencia de los códigos locales, con el Código Nacional de Gas Combustible (National Fuel Gas Code), ANSI Z223.1/NFPA 54, o el Código de Instalación de Gas Natural o Propano (Natural Gas and Propane Installation Code), CSA B149.1.

CONEXIÓN DE SUMINISTRO DE GAS DE LA SECADORA



NOTA: Agregue a la dimensión vertical la distancia entre la parte inferior del gabinete y el piso.

Debe utilizar un conector flexible metálico listado por ANSI Z21.24/CSA 6.10. La longitud del conector no excederá 3 pies.

SUMINISTRO DE GAS

- Debe instalarse una toma a rosca de 1/8" NPT, accesible para una conexión del manómetro de prueba, inmediatamente en sentido ascendente de la conexión de suministro de gas hacia la secadora. Si tiene dudas sobre la instalación de la toma, comuníquese con su empresa proveedora de gas local.
- La línea de suministro debe ser de tubería rígida de 1/2" y debe contar con un cierre accesible dentro de los 6 pies de la secadora, dentro de la misma habitación donde se encuentra la misma.
- Utilice compuesto para rosca de tubería apropiado para gas natural o LP o utilice cinta de PTFE.
- Una el conector de metal flexible a la secadora y al suministro de gas.

ADVERTENCIA - Riesgo de incendio

PARA USO EXCLUSIVAMENTE CON GAS NATURAL

La secadora, tal como está hecha por el fabricante, es para ser utilizada sólo con un suministro de gas natural. Para convertir esta secadora para el suministro de gas propano se requiere un kit de conversión suministrado por el fabricante. Utilice el kit de conversión de gas propano WE25M87. La conversión debe ser realizada por un personal debidamente capacitado y cualificado, de acuerdo con los códigos y ordenanzas locales.

AJUSTE PARA ELEVACIÓN

- Los niveles de entrada de las secadoras de ropa a gas están basados en el funcionamiento al nivel de mar y no necesitan ajustes para funcionar en o por debajo de los 2000 pies de elevación. Para un funcionamiento a más de 2000 pies de elevación, los niveles de entrada se deberían reducir a un promedio del 4 por ciento por cada 1000 pies sobre el nivel del mar.
- La instalación debe cumplir con los códigos y ordenanzas locales, o en su ausencia, con el CÓDIGO NACIONAL DE GAS COMBUSTIBLE (NATIONAL FUEL GAS CODE), ANSI Z223.

Instrucciones de instalación

CÓMO CONECTAR UNA SECADORA A GAS (cont.)

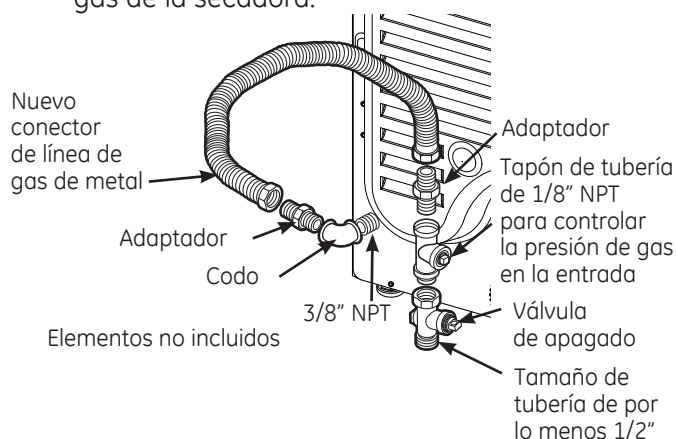
CÓMO CONECTAR LA SECADORA AL SUMINISTRO DE GAS

- A** Instale un codo hembra NPT de 3/8" al final de la entrada de gas de la secadora.

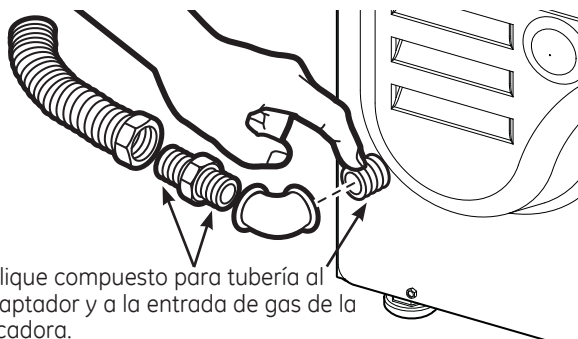
Instale un adaptador de unión cónica de 3/8" al codo hembra.

IMPORTANTE: Utilice una llave para tubos para sostener bien el extremo de la entrada de gas de la secadora para no doblar la entrada.

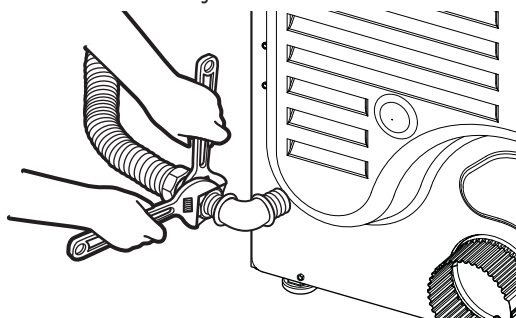
NOTA: Aplique compuesto para tubería o cinta PTFE a las roscas del adaptador y la entrada de gas de la secadora.



- B** Una el conector de tubería de gas de metal flexible al adaptador.



- C** Ajuste la conexión de tubería flexible de gas, utilizando dos llaves ajustables.

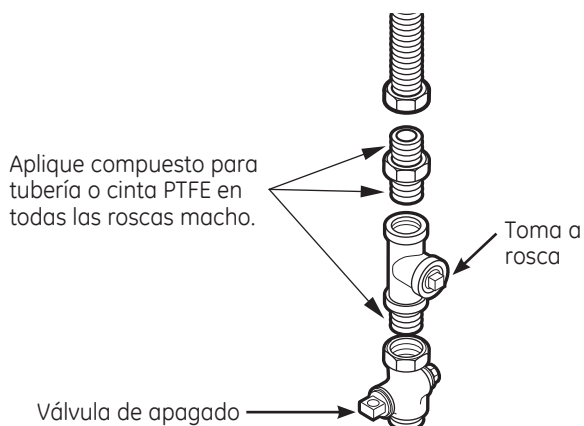


CÓMO CONECTAR LA SECADORA AL SUMINISTRO DE GAS (cont.)

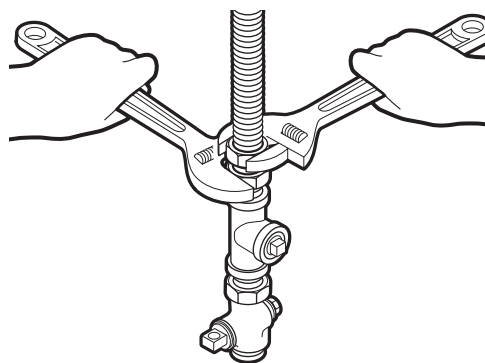
- D** Instale una toma a rosca de 1/8" NPT en la válvula de apagado de la tubería de gas de la secadora para controlar la presión de gas en la entrada.

Instale un adaptador de unión cónica en la toma a rosca.

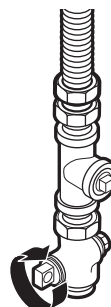
NOTA: Aplique compuesto para tubería o cinta PTFE a las roscas del adaptador y a la toma.



- E** Ajuste todas las conexiones mediante dos llaves ajustables. **No ajuste de más.**



- F** Cierre la válvula de apagado del gas.



Instrucciones de instalación

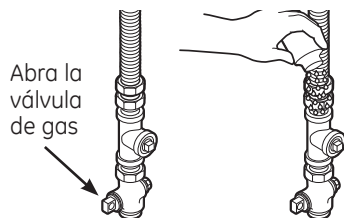
PRUEBA DE PÉRDIDAS

Nunca utilice una llama abierta para detectar pérdidas de gas.

Controle todas las conexiones con una solución jabonosa o un elemento equivalente.

Aplique una solución jabonosa. La solución para controlar pérdidas no debe contener amoníaco, ya que este producto puede dañar los accesorios de bronce.

Si se detectan pérdidas, cierre la válvula, vuelva a ajustar la junta y repita la prueba de la solución jabonosa and repeat the soap test.



CONEXIÓN ELÉCTRICA INFORMACIÓN SOBRE LAS SECADORAS A GAS

⚠ ADVERTENCIA  - Riesgo de Descarga Eléctrica

Enchufe en un tomacorriente con conexión a tierra de 3 cables.

NO retire la conexión a tierra.

NO UTILICE un cable de extensión.

NO UTILICE un enchufe adaptador con este artefacto.

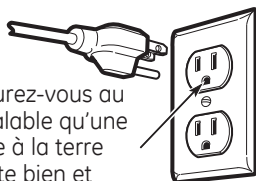
Si no cumple con esto, se podrá producir la muerte, incendio o descarga eléctrica.

- Circuito - individual, correctamente polarizado y conectado a tierra, interruptor de 15 o 20 amperios o un fusible de retardo.

- Potencia - 2 hilos más la tierra, 120 voltios, monofásica, 60 Hz, corriente alterna.

- Tomacorriente de salida - Receptáculo de 3 clavijas debidamente conectado a tierra, deberán colocarse de modo que el cable de alimentación esté accesible cuando la secadora está instalada en su posición final. Si el circuito tiene un receptáculo de 2 clavijas, es responsabilidad del propietario de reemplazarlo con un receptáculo de 3 clavijas debidamente conectado a tierra por un electricista autorizado.

Assurez-vous au préalable qu'une mise à la terre existe bien et qu'elle fonctionne correctement.



CONEXIÓN ELÉCTRICA INFORMACIÓN SOBRE LAS SECADORAS A GAS (cont.)

- La secadora debe estar conectada a tierra según los códigos y ordenanzas locales, o, en ausencia de tales códigos, según la última edición del Código Eléctrico Nacional, ANSI/NFPA NO. 70 o del Código Eléctrico Canadiense, CSA C22.1. Consulte con un electricista calificado si no está seguro de que la secadora esté correctamente conectada a la tierra.

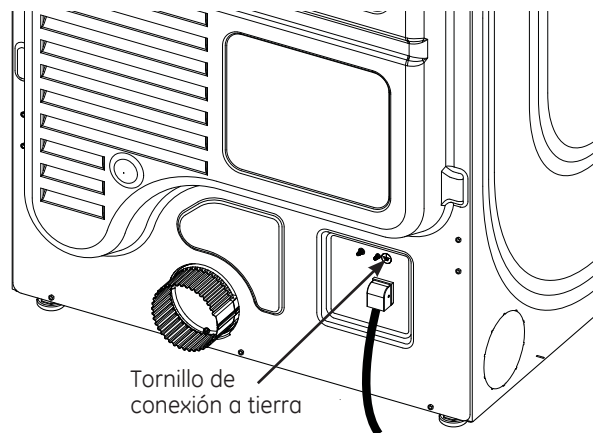
INSTRUCCIONES DE CONEXIÓN A TIERRA

Esta secadora deberá estar conectado a tierra. En caso de mal funcionamiento o avería, la conexión a tierra reducirá el riesgo de descargas eléctricas al brindar un camino con una resistencia menor para la corriente eléctrica. Esta secadora está equipada con un cable con un conductor para la conexión a tierra del equipo y un enchufe con conexión a tierra. El enchufe deberá estar conectado a un tomacorriente instalado en forma adecuada y con conexión a tierra de acuerdo con todos los códigos y ordenanzas locales.

⚠ ADVERTENCIA Una conexión inapropiada del conductor de conexión a tierra del equipo puede provocar riesgos de descargas eléctricas. Consulte a un electricista calificado o personal o representantes del servicio técnico si tiene dudas de que el electrodoméstico se encuentre conectado a tierra apropiadamente. **NO** modifique el enchufe en el cable de suministro de corriente. Si no coincide con la toma de corriente, contrate a un electricista calificado para que instale una toma de corriente en forma adecuada.

GUARDE ESTAS INSTRUCCIONES

- Si los códigos locales lo requieren, se puede añadir un hilo de cobre externo de conexión a tierra de calibre 18 o más. Conecte el cable a la parte posterior del gabinete de la secadora con tornillos de plancha # 8-18 x 1/2 "(disponible en cualquier ferretería) como se ilustra.



Instrucciones de instalación

CÓMO CONECTAR UNA SECADORA ELECTRICA

(Sáltese si se trata de las secadoras a gas o si su secadora ya tiene un cable de alimentación conectado)

HERRAMIENTAS NECESARIAS

- Pinzas



- Destornillador de lados planos



- Destornillador Phillips



- Nivel



MATERIALES NECESARIOS

- Codo de metal de 4" de diámetro



- Alivio de tensión de 3/4" (reconocido por UL)



- Abrazaderas de tubería de 4" (2) o abrazaderas de resorte de 4" (2)



- Gafas de seguridad



- Conducto de metal de 4" de diámetro (recomendado)



- Conducto de metal flexible de 4" de diámetro (si fuese necesario)



- Guantes



- Campana de salida

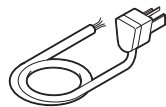


- Cinta aislante



- Kit de cable de energía de la secadora (no incluido con la secadora)

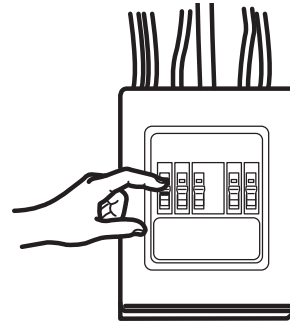
Clasificado UL, de 120/240V, 30A con 3 o 4 patas. Identifique el tipo de enchufe según el tomacorriente de la vivienda antes de comprar el cable.



- 4" Placa de cubierta (Kit WE49X22606)



Antes de efectuar la conexión eléctrica, desactive los disyuntores o quite los fusibles del circuito de la secadora de la caja eléctrica. Verifique que el cable de la secadora esté desenchufado del tomacorriente. NUNCA OLVIDE DE VOLVER A COLOCAR LA TAPA DE ACCESO DEL BLOQUE TERMINAL.



Instrucciones de instalación

CONEXIÓN ELÉCTRICA INFORMACIÓN SOBRE LAS SECADORAS ELÉCTRICAS

Para realizar conexiones eléctricas con un cable de corriente:

ADVERTENCIA - Riesgo de incendio

Use un cable de suministro de corriente de la secadora de 30 amperes y 240V de la lista de UL, con terminales de anillo cerradas o terminales de espada con extremos al revés.

Use un amortiguador con refuerzo de la lista de UL. Desconecte la corriente antes de realizar conexiones eléctricas.

Conecte el cable neutro (el blanco o el cable central) a la terminal central.

El cable a tierra (verde o pelado) se deberá conectar al conector a tierra verde.


Conecte los dos cables de suministro restantes a las dos terminales restantes.

De forma segura ajuste todas las conexiones eléctricas. Reemplace la tapa del bloque terminal.

Si no cumple con esto, se podrá producir la muerte, incendio o descarga eléctrica.

INSTRUCCIONES DE CONEXIÓN A TIERRA

Para una secadora conectada con cable con conexión a tierra: Esta secadora deberá estar conectada a tierra. En caso de mal funcionamiento o avería, la conexión a tierra reducirá el riesgo de descargas eléctricas al brindar un camino con una resistencia menor para la corriente eléctrica. Esta secadora está equipada con un cable con un conductor para la conexión a tierra del equipo y un enchufe con conexión a tierra. El enchufe deberá estar conectado a un tomacorriente instalado en forma adecuada y con conexión a tierra de acuerdo con todos los códigos y ordenanzas locales.

 **ADVERTENCIA** Una conexión inapropiada del conductor de conexión a tierra del equipo puede provocar riesgos de descargas eléctricas. Consulte a un electricista calificado o personal o representantes del servicio técnico si tiene dudas de que el electrodoméstico se encuentre conectado a tierra apropiadamente. **NO** modifique el enchufe en el cable de suministro de corriente. Si no coincide con la toma de corriente, contrate a un electricista calificado para que instale una toma de corriente en forma adecuada.

GUARDE ESTAS INSTRUCCIONES

CONEXIÓN ELÉCTRICA INFORMACIÓN SOBRE LAS SECADORAS ELÉCTRICAS

Para conexiones directas de cables:

ADVERTENCIA - Riesgo de incendio

Use un cable de cobre con calibre de 10

Use un amortiguador con refuerzo de la lista de UL.

Desconecte la corriente antes de realizar conexiones eléctricas.

Conecte el cable neutro (el blanco o el cable central) a la terminal central.

El cable a tierra (verde o pelado) se deberá conectar al conector a tierra verde.

Conecte los dos cables de suministro restantes a las dos terminales restantes.

De forma segura ajuste todas las conexiones eléctricas.

Reemplace la tapa del bloque terminal.

Si no cumple con esto, se podrá producir la muerte, incendio o descarga eléctrica.

INSTRUCCIONES DE CONEXIÓN A TIERRA

Para una secadora conectada de forma permanente: Esta secadora debe estar conectada a un sistema de cableado de metal permanente con conexión a tierra o se debe tender un conductor para la conexión a tierra del equipo con los conductores del circuito y ser conectado al terminal de tierra del electrodoméstico.

 **ADVERTENCIA** Una conexión inapropiada del conducto de conexión a tierra del equipo puede provocar riesgos de descargas eléctricas. Consulte a un electricista calificado o personal o representantes del servicio técnico si tiene dudas de que el electrodoméstico se encuentre conectado a tierra apropiadamente.

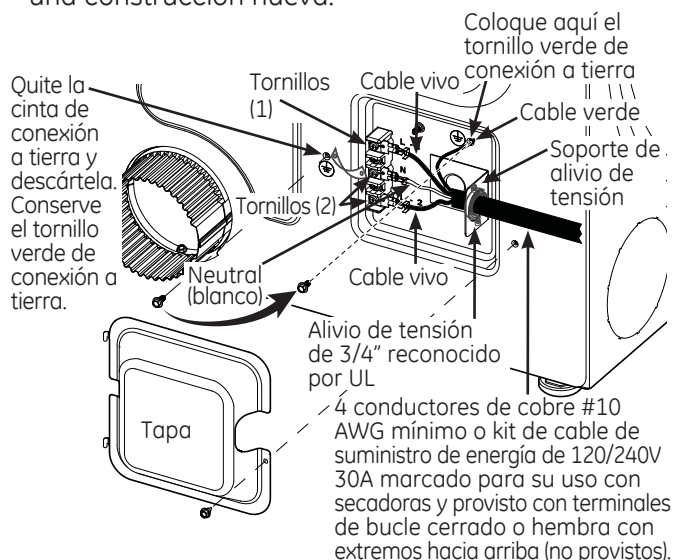
GUARDE ESTAS INSTRUCCIONES

CÓMO CONECTAR UNA SECADORA ELECTRICA (cont.)

CÓMO CONECTAR LA SECADORA USANDO UNA CONEXIÓN DE 4 CABLES (DEBE UTILIZARSE EN INSTALACIONES DE CASAS RODANTES)

NOTA: Desde el 1 de enero de 1996, el Código Eléctrico Nacional exige que las nuevas construcciones utilicen una conexión de 4 cables a una secadora eléctrica. También debe usarse un cable de 4 alambres cuando los códigos locales no permiten una conexión a tierra a través de cable neutral.

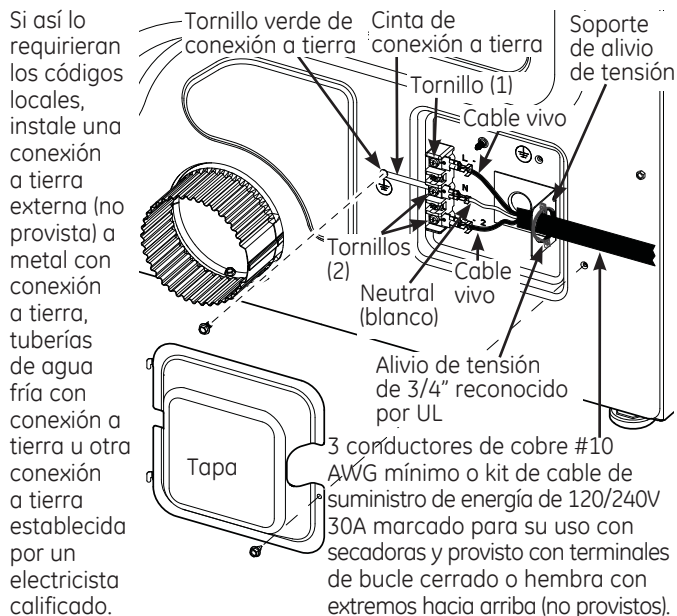
NO debe usarse una conexión de tres cables en una construcción nueva.



1. Desactive el disyuntor (30 amperios) o quite el fusible del circuito de la secadora de la caja eléctrica.
2. Verifique que el cable de la secadora esté desenchufado del tomacorriente.
3. Quite la tapa del cable de energía ubicada en la parte trasera inferior.
4. Quite y descarte la cinta de conexión a tierra. Conserve el tornillo verde de conexión a tierra para el paso 7.
5. Instale un alivio de tensión de 3/4 pulgadas reconocido por UL en el orificio de entrada del cable de energía. Pase el cable de energía a través del alivio de tensión.
6. Conecte el cable de energía de la siguiente manera:
 - A. Conecte los dos cables vivos a los tornillos externos del bloque terminal (marcado L1 y L2).
 - B. Conecte el cable neutral (blanco) al centro del bloque terminal (marcado N).
7. Conecte el cable a tierra del cable de energía con el tornillo verde de conexión a tierra (orificio sobre el soporte de alivio de tensión). Ajuste por firmemente todos los tornillos (3) del bloque terminal.
8. Ajuste bien el cable de energía al alivio de tensión.
9. Vuelva a instalar la tapa.

NUNCA OLVIDE DE VOLVER A COLOCAR LA TAPA DEL BLOQUE TERMINAL.

CÓMO CONECTAR LA SECADORA UTILIZANDO UNA CONEXIÓN DE 3 CABLES



Conexión de 3 cables

- NO usar en Canadá.
 NO usar en instalaciones en casas móviles.
 NO usar en casas nuevas.
 NO usar en vehículos recreativos.
 NO usar en áreas donde los códigos locales prohíben la conexión eléctrica a tierra por el medio del cable neutral.
1. Desactive el disyuntor (30 amperios) o quite el fusible del circuito de la secadora de la caja eléctrica.
 2. Verifique que el cable de la secadora esté desenchufado del tomacorriente.
 3. Quite la tapa del cable de energía ubicada en la parte trasera inferior.
 4. Instale un alivio de tensión de 3/4 pulgadas reconocido por UL en el orificio de entrada del cable de energía. Pase el cable de energía a través del alivio de tensión.
 5. Conecte el cable de energía de la siguiente manera:
 - A. Conecte los dos cables vivos a los tornillos externos del bloque terminal (marcado L1 y L2).
 - B. Conecte el cable neutral (blanco) al centro del bloque terminal (marcado N).
 6. Asegúrese de que la cinta de conexión a tierra esté conectada a la terminal neutral (central) del bloque y al tornillo verde de conexión a tierra de la parte trasera del gabinete. Ajuste por firmemente todos los tornillos (3) del bloque terminal.
 7. Ajuste bien el cable de energía al alivio de tensión.
 8. Vuelva a instalar la tapa.

NUNCA OLVIDE DE VOLVER A COLOCAR LA TAPA DEL BLOQUE TERMINAL.

Instrucciones de instalación

SALIDA AL EXTERIOR DE LA SECADORA

ADVERTENCIA - Riesgo de incendio

Esta secadora DEBE tener una ventilación al exterior.

Utilice sólo un conducto de metal rígido de 4" para la ventilación de salida doméstico.

Use sólo un conducto de transición de la secadora de metal rígido de 4" o de la lista de UL para conectar la secadora a la salida del hogar.

NO use una ventilación del plástico.

NO use la salida de una chimenea, la salida de la cocina, ventilación de gas, pared, cielo raso, ático, espacio de rastreo, o espacio escondido de una edificación.

NO instale una pantalla en o sobre el conducto de salida.

NO instale un ventilador de refuerzo en el ducto de ventilación.

NO use un conducto más largo que aquél especificado en la tabla de longitud de salida.

Si no se siguen estas instrucciones se podrá producir la muerte o un incendio.

PIEZAS DISPONIBLES EN GEAPPLIANCES.COM O EMPRESAS LOCALES DE SERVICIO

PM8X85	Campana de ventilación externa
PM08X10085	Ducto de transición de metal flexible de 8 pies, con 2 abrazaderas, para secadoras
WX08X10130	Abrazadera para ducto de 4 pulgadas para las secadoras
WE49X22606	Cubierta para la abertura de escape trasero, para secadoras ventiladas por los lados o para la parte inferior.

LISTA DE CONTROL DEL SISTEMA DE SALIDA

CAMPANA O CUBIERTA DE PARED

- Instale la salida de modo de evitar contracorrientes o el ingreso de pájaros u otros insectos o animales.
- La boca de salida debe presentar una resistencia mínima al flujo de salida y debe requerir poco mantenimiento para evitar las obstrucciones.
- Las cubiertas de pared deben instalarse por lo menos a 12" sobre el nivel del suelo o cualquier otra obstrucción con la abertura apuntando hacia abajo.
- Nunca ventile la secadora en la parte exterior del techo.

SEPARACIÓN DE CURVAS

- Para un mejor desempeño, separe todas las curvas con 4 pies de conducto recto como mínimo, incluyendo la distancia entre la última curva y la cubierta de pared con regulador de tiro.

SELLADO DE JUNTAS

- Todas las juntas deben estar bien selladas para evitar pérdidas. El extremo macho de cada sección de conducto debe apuntar en dirección opuesta de la secadora.
- Las juntas de los conductos deben ser herméticas al aire y a la humedad mediante la superposición de juntas con cinta aislante o cinta de aluminio.
- No ensamble la tubería con tensores que se extiendan sobre el conducto. Estos tensores acumulan pelusa, creando un posible riesgo de incendio.
- Los tramos horizontales deben tener una inclinación hacia el exterior de 1/4" por pie.
- Incluya un acceso para inspección y limpieza del sistema de salida, especialmente en las curvas. Inspeccione y limpie el conducto por lo menos una vez al año.

AISLACIÓN

- Los conductos instalados a través de una área sin calefacción o ubicados cerca de un acondicionador de aire deben aislarse para reducir la condensación y la acumulación de pelusas.

HERRAMIENTAS Y MATERIALES NECESARIOS PARA INSTALAR UN CONDUCTO DE SALIDA



Instrucciones de instalación

SALIDA AL EXTERIOR DE LA SECADORA (cont.)

CONEXIÓN DE LA SECADORA A LA VENTILACIÓN DE LA CASA

CONDUCTO DE TRANSICIÓN DE METAL RÍGIDO

- Para un mejor funcionamiento del secado, se recomienda el uso de un conducto de transición de metal rígido.
- Los conductos de transición de metal rígido reducen el riesgo de que se puedan aplastar o doblar.

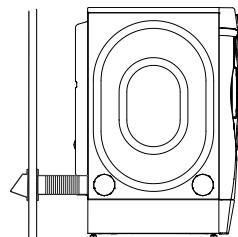
CONDUCTO DE TRANSICIÓN DE METAL FLEXIBLE (SEMI-RÍGIDO) DE LA LISTA DE UL

- Si no se pudiera usar un conducto de metal rígido, entonces se podrá usar un conducto de metal flexible (semi-rígido) de la lista de UL (Kit PM08X10085).
- Nunca instale un conducto de metal flexible en paredes, cielos rasos, pisos u otros espacios adjuntos.
- La longitud total del conducto de metal flexible no deberá superar los 7' 9" (2.4 m).
- Para muchas aplicaciones, se recomienda enfáticamente la instalación de codos tanto en la secadora como en la pared. Los codos permiten que la secadora pueda estar junto a la pared sin que se aplaste ni se doble el conducto de transición, maximizando el rendimiento del secado.
- Evite que la tubería se apoye sobre objetos cortantes.

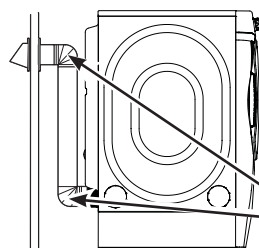
CONDUCTO DE TRANSICIÓN DE METAL FLEXIBLE (TIPO HOJA DE ALUMINIO) DE LA LISTA DE UL

- Para instalaciones especiales, puede resultar necesaria la conexión de la secadora a la ventilación de la casa usando un conducto de metal flexible (tipo hoja de aluminio). Un conducto de metal flexible (tipo hoja de aluminio) de la lista de UL podrá ser usado SÓLO en instalaciones donde los conductos de metal rígido o metal flexible (semi rígido) no puedan ser usados Y donde se pueda mantener un diámetro de 4" a lo largo de todo el conducto de transición.
- En Canadá y en Estados Unidos, sólo se podrán usar los conductos de metal flexible (tipo hoja de aluminio) que cumplan con el "Resumen del Tema 2158A de Conductos de Transición para Secadoras de Ropa" (Outline for Clothes Dryer Transition Duct Subject 2158A).
- Nunca instale un conducto de metal flexible en paredes, cielos rasos, pisos u otros espacios adjuntos.
- La longitud total del conducto de metal flexible no deberá superar los 7' 9" (2.4 m).
- Evite que la tubería se apoye sobre objetos cortantes.
- Para un mejor funcionamiento:
 1. Deslice un extremo del conducto sobre la tubería de salida de la secadora de ropa.
 2. Asegure el conducto con una abrazadera.
 3. Con la secadora en su posición permanente, extienda el conducto hasta su máxima extensión. Permita que 2" del conducto se superpongan con la tubería de escape. Corte y retire el sobrante del conducto. Mantenga el conducto lo más recto posible para lograr el flujo de aire máximo.
 4. Asegure el conducto a la tubería de escape con la otra abrazadera.

PARA VENTILACIÓN DE TRANSICIÓN (SECADORA A PARED), HAGALO SIGUIENTE:



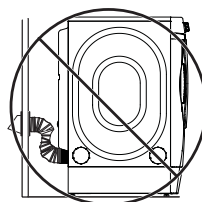
- **CORTE** el conducto lo más corto posible e instálelo derecho en la pared.



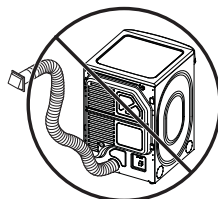
- **UTILICE** codos cuando hagan falta curvas.

Codos

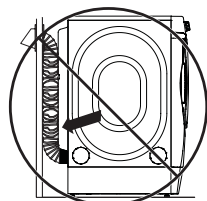
NO HAGALO SIGUIENTE:



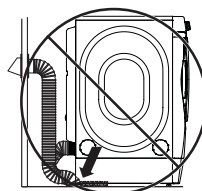
- **NO** doble o pliegue los conductos. Utilice codos si algunos codos resultan necesarios.



- **NO** utilice una longitud de salida excesiva. Corte los conductos con la longitud más corta posible.



- **NO** aplaste el conducto contra la pared.



- **NO** coloque la secadora en el conducto.

Instrucciones de instalación

LONGITUD DE SALIDA

Al utilizar una salida de mayor longitud a la especificada se:

- Incrementarán los tiempos de secado y el costo de energía.
- Reducirá la vida útil de la secadora.
- Acumulará pelusa, lo que podría generar un riesgo potencial de incendio.

La correcta instalación de salida es SU RESPONSABILIDAD.

Los problemas generados por una instalación incorrecta no se encuentran cubiertos por la garantía.

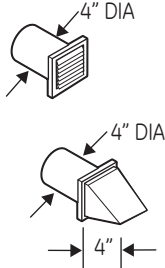
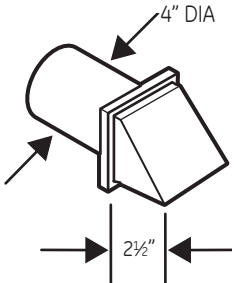
La longitud MÁXIMA PERMITIDA del sistema de salida depende del tipo de conducto, la cantidad de curvas, la clase de campana de salida (cubierta de pared) y todas las condiciones indicadas en el gráfico.

- Codos internos agregados para conversiones de ventilación lateral o inferior se deberán incluir en la cuenta total de los codos.
- Cualquier codo superior a 45° debería ser considerado como un codo de 90°.
- Dos codos de 45° deberán ser considerados como un codo de 90°.
- Para el escape lateral, agregue un codo de 90° a la tabla.
- En el cálculo de la longitud total del sistema de ventilación, debe agregar todas las partes rectas y codos del sistema (incluyendo el conducto de transición).

LONGITUD DE SALIDA

LONGITUD MÁXIMA RECOMENDADA

Tipos de campana de salida

Recomendado	Utilizar sólo en instalaciones de trayecto corto
	

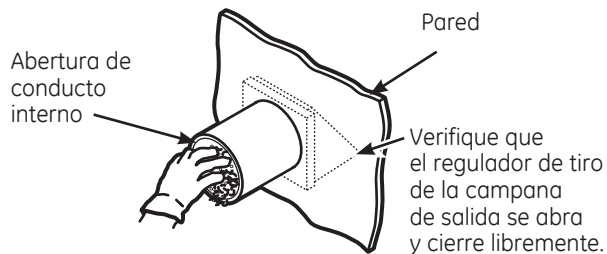
Cant. de codos de 90°	Metal rígido	Metal rígido
0	90 pies	60 pies
1	60 pies	45 pies
2	45 pies	35 pies
3	35 pies	25 pies
4	25 pies	15 pies

Instrucciones de instalación

SALIDA AL EXTERIOR DE LA SECADORA (cont.)

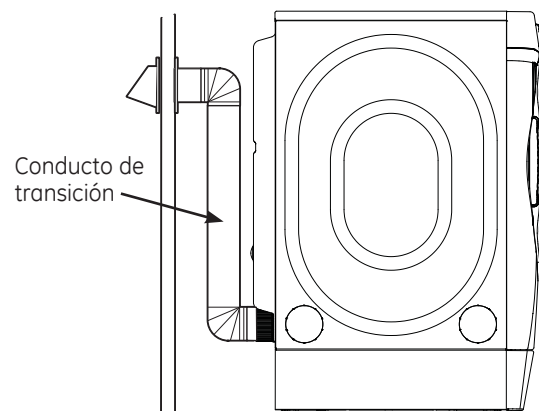
ANTES DE COMENZAR

Quite las pelusas de la abertura de salida de la pared.



CONFIGURACIÓN RECOMENDADA PARA MINIMIZAR LAS OBSTRUCCIONES DE LA SALIDA

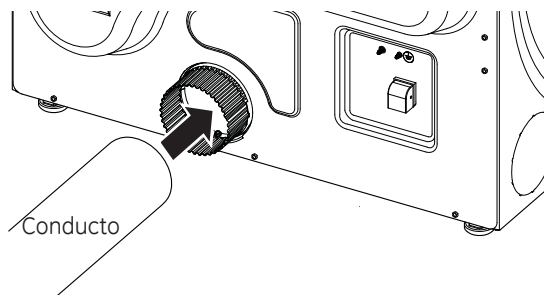
El uso de codos evitará que los conductos se tuerzan y caigan.



SALIDA TRASERA ESTÁNDAR

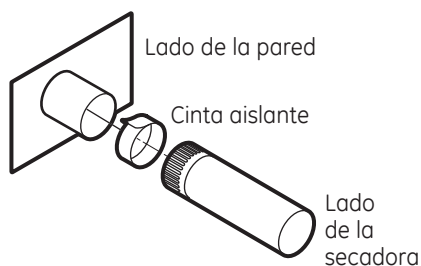
Recomendamos instalar la secadora antes que la lavadora. Esto permitirá un acceso directo para poder efectuar la conexión de salida.

Deslice el extremo del conducto de salida hacia la parte trasera de la secadora y sujete con cinta aislante o una abrazadera de mangueras.



NOTA: Recomendamos el uso de un conducto de salida rígido de metal. Sin embargo, si se usan conductos flexibles éstos deben ser de metal aprobados por UL, no de plástico.

- Para una instalación en línea recta, conecte la salida de la secadora a la pared con cinta aislante.



Instrucciones de instalación

VENTILACIÓN LATERAL

La secadora cuenta con una salida hacia la derecha del gabinete sólo en modelos eléctricos.

La secadora cuenta con una salida hacia la izquierda del gabinete en modelos a gas y eléctricos.

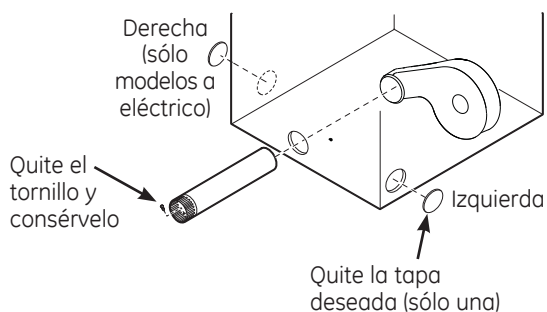
ADVERTENCIA - Riesgo de incendio

Desconecte la secadora del suministro eléctrico.

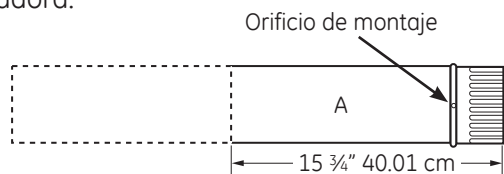
Use guantes y protectores para brazos.

Cierre la abertura trasera con la placa protectora (Kit WE49X22606).

Si esto no se cumple, se podrá producir una incendio, descarga eléctrica o laceraciones.

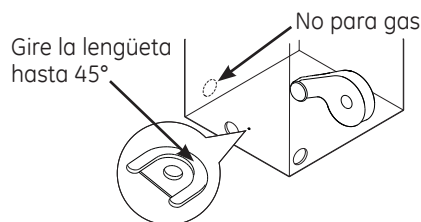


Despegue y quite la tapa derecha (sólo modelos a eléctrico) o izquierda, según corresponda. Quite el tornillo ubicado dentro del conducto de salida de la secadora y consérvelo. Saque el conducto de la secadora.



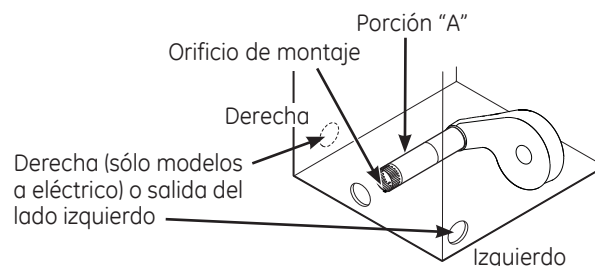
Corte el conducto como puede verse y conserve la porción A.

UBICACIÓN DE LA LENGÜETA



A través de la abertura trasera, ubique la lengüeta en el medio de la base del artefacto. Levante la lengüeta hasta alrededor de 45°, utilizando un destornillador de lados planos.

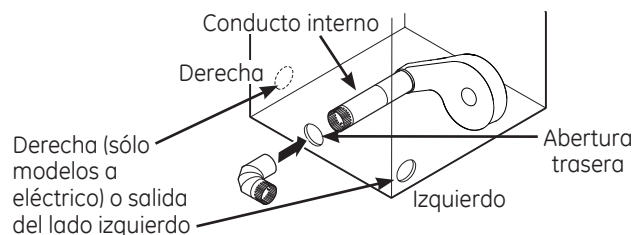
CÓMO AGREGAR UN CONDUCTO NUEVO



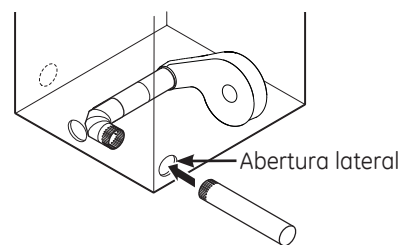
Vuelva a conectar la porción cortada "A" del conducto a la caja del ventilador. Asegúrese de que el conducto más corto se encuentre alineado con la lengüeta de la base. Utilice el tornillo conservado con anterioridad para sujetar el conducto en su lugar a través de la lengüeta de la base del artefacto.

CÓMO AGREGAR CODOS Y CONDUCTOS DE SALIDA HACIA DEL GABINETE

- Introduzca el codo de 4" a través de la abertura trasera y conéctelo al conducto interno de la secadora.



- Introduzca el conducto de 4" a través de la abertura lateral y conéctelo al codo.



UTILICE UN CONDUCTO DE METAL RÍGIDO DE 4" SÓLO DENTRO DE LA SECADORA. LAS JUNTAS DEL CONDUCTO INTERNO DEBEN SUJETARSE CON CINTA; CASO CONTRARIO, PUEDEN SEPARARSE Y PROVOCAR UN RIESGO DE SEGURIDAD.

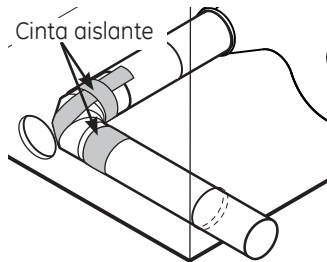
Instrucciones de instalación

SALIDA AL EXTERIOR DE LA SECADORA (cont.)

VENTILACIÓN LATERAL (cont.)

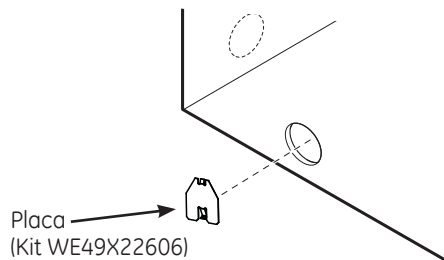
CÓMO AGREGAR CODOS Y CONDUCTOS DE SALIDA HACIA LA IZQUIERDA O DERECHA DEL GABINETE (cont.)

- Aplique cinta aislante como puede verse en la junta entre el conducto interno de la secadora y el codo, y también en la junta entre el codo y el conducto lateral.



Las juntas del conducto interno deben sujetarse con cinta; caso contrario, pueden separarse y provocar un riesgo de seguridad.

CÓMO AGREGAR LA PLACA DE CUBIERTA A LA PARTE TRASERA DEL GABINETE (SALIDA LATERAL)



Conecte los codos y conductos de metal estándar para completar el sistema de salida. Cubra la abertura trasera con la placa (Kit WE49X22606), disponible en su proveedor de servicios local. Coloque la secadora en su ubicación final.

NUNCA DEJE LA ABERTURA TRASERA SIN LA PLACA EN SU LUGAR. (Kit WE49X22606.)

VENTILACIÓN POR LA PARTE INFERIOR

La secadora cuenta con una salida por la parte inferior del gabinete en modelos a gas y eléctricos SIN Pedestal Encastrado™.

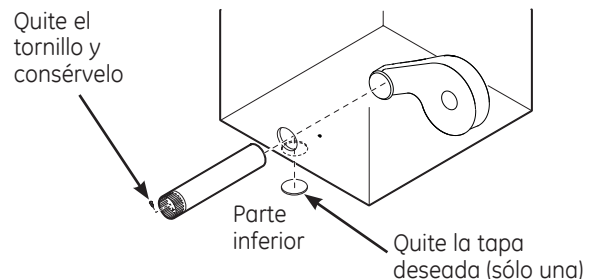
⚠ ADVERTENCIA - Riesgo de incendio

Cierre la abertura trasera con la placa protectora (Kit WE49X22606).

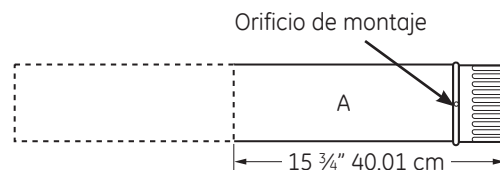
Desconecte la secadora del suministro eléctrico.

Use guantes y protectores para brazos.

Si esto no se cumple, se podrá producir una incendio, descarga eléctrica o laceraciones.



Quite el tornillo ubicado dentro del conducto de salida de la secadora y consérvelo. Saque el conducto de la secadora. Desconecte y quite la tapa inferior.

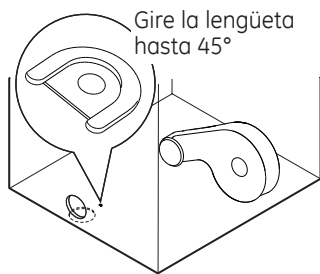


Corte el conducto como puede verse y conserve la porción A.

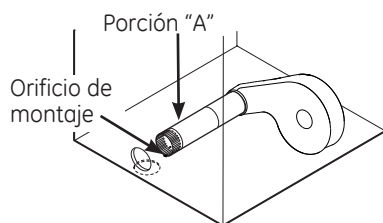
Instrucciones de instalación

CÓMO AGREGAR UN CONDUCTO NUEVO

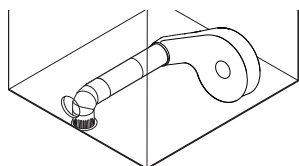
- A través de la abertura trasera, ubique la lengüeta en el medio de la base del artefacto. Levante la lengüeta hasta alrededor de 45°, utilizando un destornillador de lados planos.



- Vuelva a conectar la porción cortada "A" del conducto a la caja del ventilador. Asegúrese de que el conducto más corto se encuentre alineado con la lengüeta de la base. Utilice el tornillo conservado con anterioridad para sujetar el conducto en su lugar a través de la lengüeta de la base del artefacto.



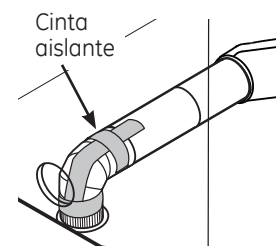
- Introduzca el codo de 4" a través de la abertura trasera y conéctelo al conducto interno de la secadora.



Asegúrese de no tirar o dañar los cables eléctricos ubicados dentro de la secadora cuando introduzca el conducto.

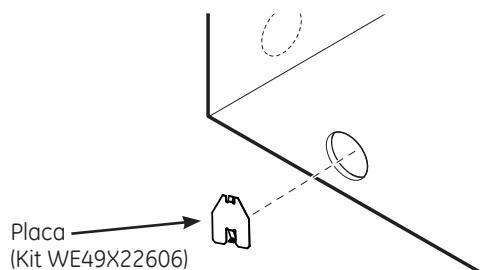
VENTILACIÓN POR LA PARTE INFERIOR (cont.)

- Aplique cinta aislante como puede verse en la junta entre el conducto interno de la secadora y el codo, y también en la junta entre el codo y el conducto inferior.



Las juntas del conducto interno deben sujetarse con cinta; caso contrario, pueden separarse y provocar un riesgo de seguridad.

CÓMO AGREGAR LA PLACA DE CUBIERTA A LA PARTE TRASERA DEL GABINETE (SALIDA POR LA PARTE INFERIOR)



Conecte los codos y conductos de metal estándar para completar el sistema de salida. Cubra la abertura trasera con la placa (Kit WE49X22606), disponible en su proveedor de servicios local. Coloque la secadora en su ubicación final.

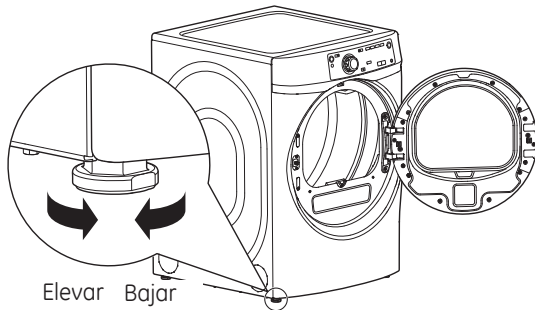
NUNCA DEJE LA ABERTURA TRASERA SIN LA PLACA EN SU LUGAR. (Kit WE49X22606.)

Instrucciones de instalación

CONFIGURACIÓN FINAL

1 NIVELE LA SECADORA

Coloque la secadora en posición vertical cerca de la ubicación definitiva y ajuste las cuatro patas niveladoras para garantizar que la secadora se encuentre nivelada de lado a lado y del frente a la parte trasera.



3 INICIO DE LA SECADORA

Presione el botón **Power (Encendido)**.



NOTA: Si la secadora ha sido expuesta a temperaturas bajo cero por un período prolongado, deje que suba la temperatura antes de presionar **Power**. De otra manera, la pantalla no se encenderá.

Su secadora ya está lista para usar.

2 ENCHUFE LA SECADORA



Verifique que haya una conexión a tierra adecuada antes del uso.

Instrucciones de instalación

CÓMO INVERTIR LA APERTURA DE LA PUERTA (si así se desea)

NOTAS IMPORTANTES

- Lea todas las instrucciones antes de comenzar.
- Manipule las piezas con cuidado para no rayar la pintura.
- Separe los tornillos por sus piezas relacionadas para evitar usarlos en lugares equivocados.
- Coloque las puertas sobre una superficie de trabajo que no raye.
- El tiempo normal utilizado para invertir la apertura de la puerta es de 30-60 minutos.

IMPORTANTE: Una vez que haya comenzado, no mueva el gabinete hasta haber finalizado la inversión de la apertura de la puerta.

Estas instrucciones son para cambiar las bisagras del lado derecho al lado izquierdo; si alguna vez desea cambiarlas de nuevo al lado derecho, siga las mismas instrucciones e invierta todas las referencias de izquierda a derecha.

HERRAMIENTAS NECESARIAS

#2 Destornillador Phillips



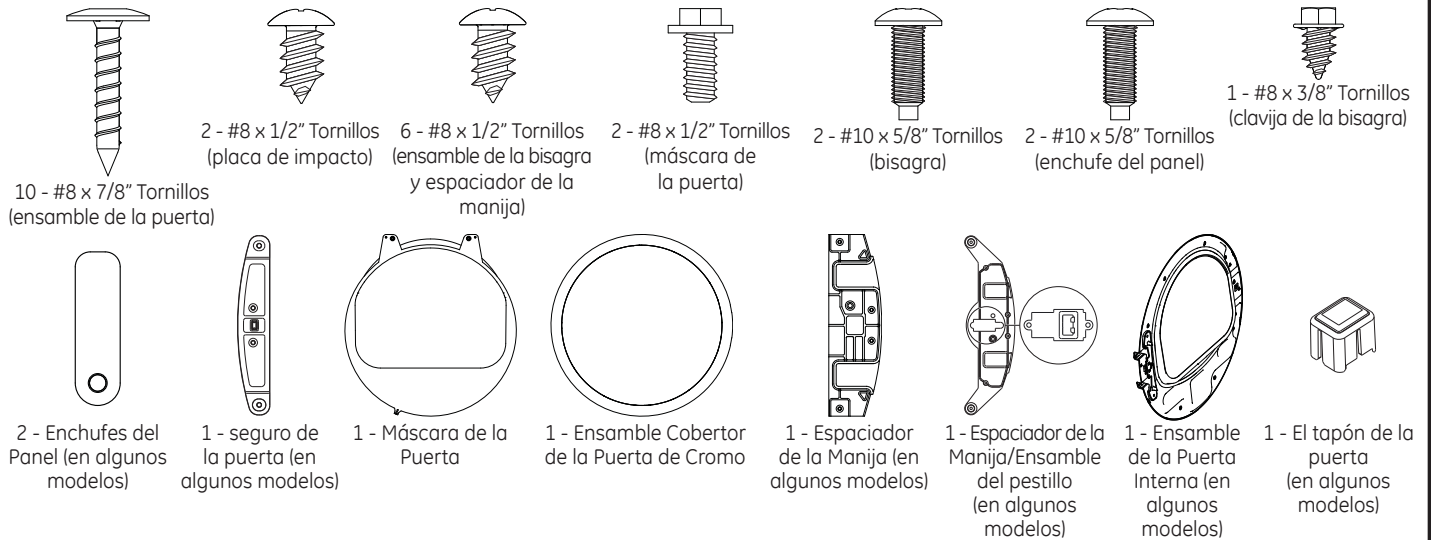
Destornillador Buscapolos T-25



Llave de tuercas de 1/4"

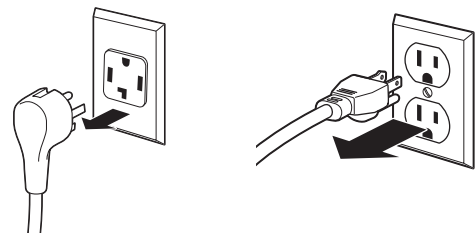


PIEZAS DE LA PUERTA



ANTES DE COMENZAR

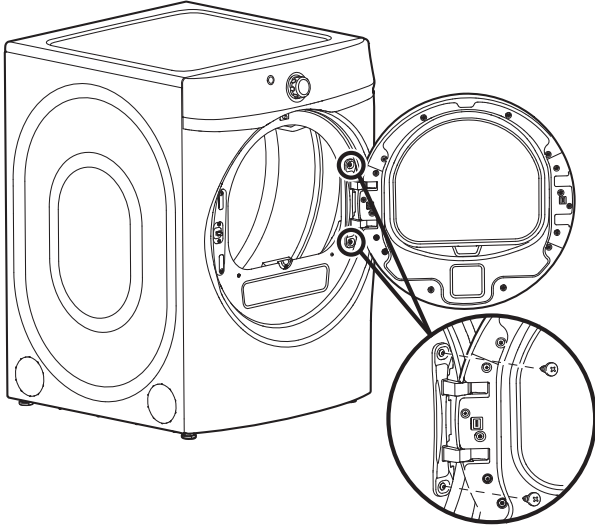
Desenchufe la secadora del tomacorriente.



CÓMO INVERTIR LA APERTURA DE LA PUERTA (si así se desea)

1 RETIRE EL ENSAMBLE DE LA PUERTA

- A. Abra la puerta completamente.
- B. Retire los 2 tornillos (nº 10 x 5/8") de la bisagra, comenzando con el tornillo inferior. La puerta se inclinará con relación al panel frontal, pero se apoyará en su posición.

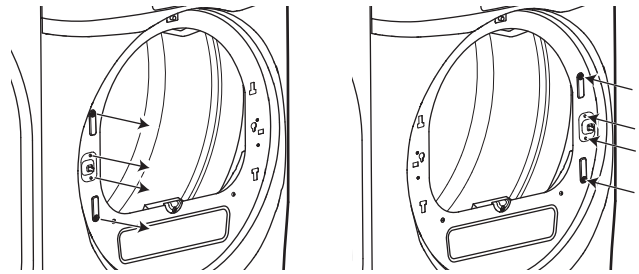


- C. Levante la puerta levemente y desenganche la misma del panel frontal.
- D. Coloque la puerta sobre una superficie suave y plana.

2A VUELVA A UBICAR LA PLACA DE LA BISAGRA Y LOS ENCHUFES DEL PANEL FRONTAL (en algunos modelos - consulte el número 2B abajo para otros modelos)

IMPORTANTE: Observe la ubicación de la bisagra (izquierda o derecha) antes de retirar la misma.

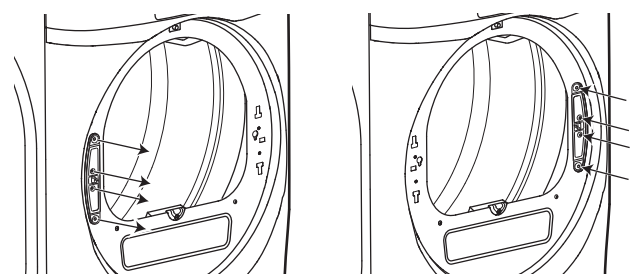
- A. Retire los 2 tornillos (nº10 x 5/8") y los enchufes del panel frontal de este último.
- B. Vuelva a instalar los enchufes del panel frontal y los tornillos del lado opuesto a la apertura de la puerta.
- C. Retire los 2 tornillos (nº8 x 1/2") y la placa de la bisagra del panel frontal.
- D. Rote la placa de la bisagra 180 grados y vuelva a instalar la misma con tornillos sobre el lado opuesto a la apertura de la puerta.



2B VUELVA A UBICAR LA PLACA DE LA BISAGRA (en algunos modelos - consulte el número 2A anterior para otros modelos)

IMPORTANTE: Observe la ubicación de la bisagra (izquierda o derecha) antes de retirar la misma.

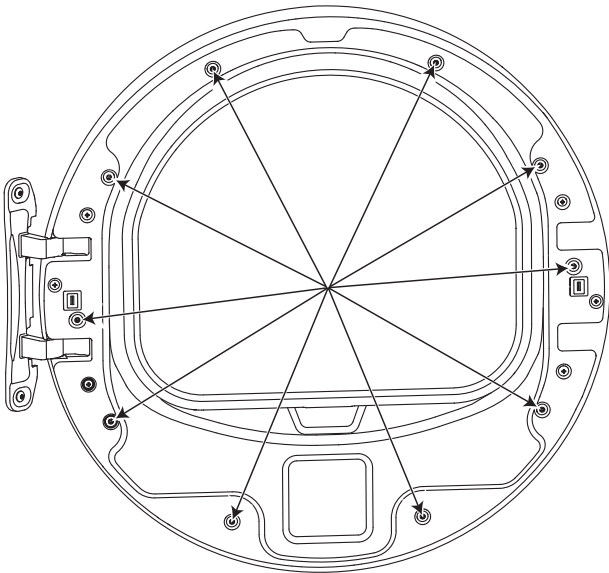
- A. Retire los 2 tornillos (nº10 x 5/8") de la parte superior e inferior del seguro de la puerta.
- B. Retire los 2 tornillos (nº8 x 1/2") del centro del seguro de la puerta y retire el seguro de la puerta del panel frontal.
- C. Rote la placa de la puerta 180 grados y vuelva a instalar la misma con tornillos sobre el lado opuesto a la apertura de la puerta.



Instrucciones de instalación

3 RETIRE EL ENSAMBLE DE LA PUERTA

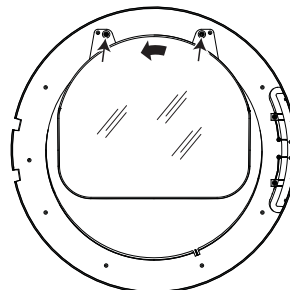
- A. Coloque la puerta en una superficie suave y plana con el marco de la puerta interior hacia arriba.
- B. Retire los 10 tornillos (nº 8 x 7/8") del perímetro del marco de la puerta.
- C. Separe la estructura del marco interior de la tapa de la puerta de cromo. Coloque el marco de la puerta interior a un costado sobre una superficie suave y plana.



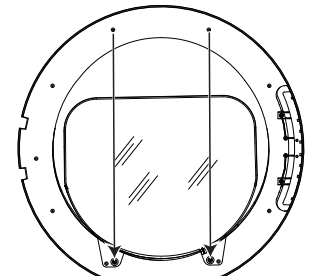
4 VUELVA A UBICAR LA MÁSCARA DE LA PUERTA

- A. Coloque la tapa de la puerta de cromo en una superficie suave y plana, de modo que la máscara de la puerta quede hacia arriba.
- B. Retire los 2 tornillos (nº8 x 1/2") que aseguran la máscara de la puerta en su posición.
- C. Rote la máscara de la puerta 180 grados y vuelva a instalar los tornillos a fin de asegurar la máscara de la puerta.

ANTES



DESPUÉS



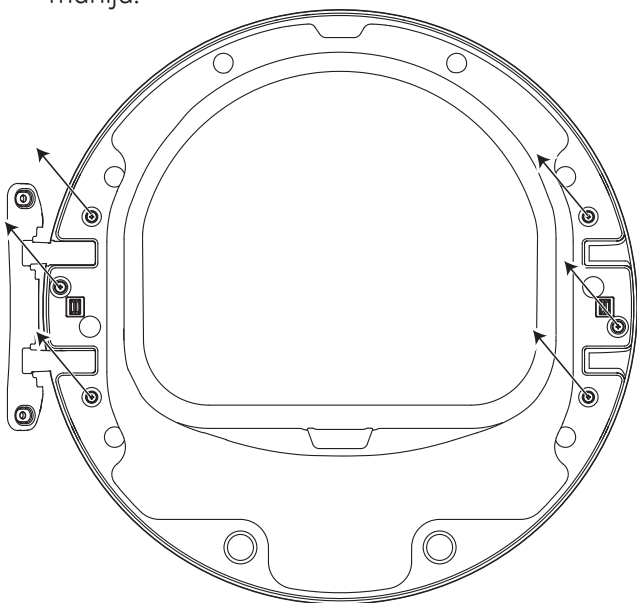
- D. La recolocación está completada. Deje la tapa de la puerta de cromo a un costado.

Instrucciones de instalación

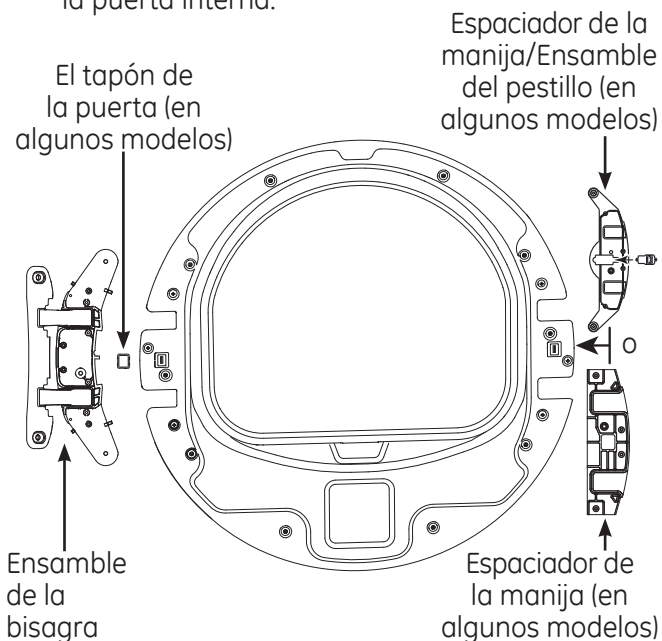
CÓMO INVERTIR LA APERTURA DE LA PUERTA (si así se desea)

5 VUELVA A UBICAR EL ENSAMBLE DE LA BISAGRA Y EL ESPACIADOR DE LA MANIJA

- A. Coloque la estructura de la puerta interna en una superficie suave y plana, de modo que la junta interna de la puerta quede hacia arriba.
- B. Retire los 6 tornillos (nº8 x 1/2") que aseguran el ensamble de la bisagra y el espaciador de la manija.

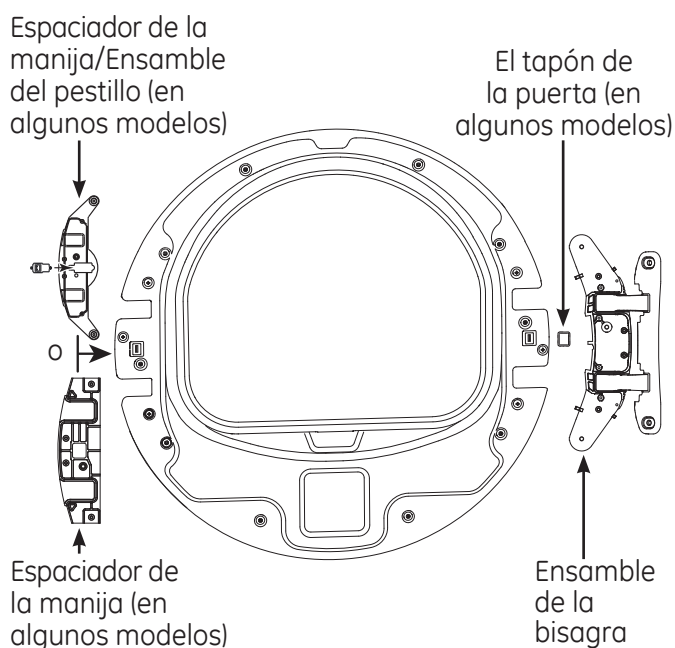


- C. Separe el ensamble de la bisagra, el tapón de la puerta (en algunos modelos), el espaciador de la manija o el espaciador de la manija/Ensamble del pestillo (según el modelo) de la estructura de la puerta interna.

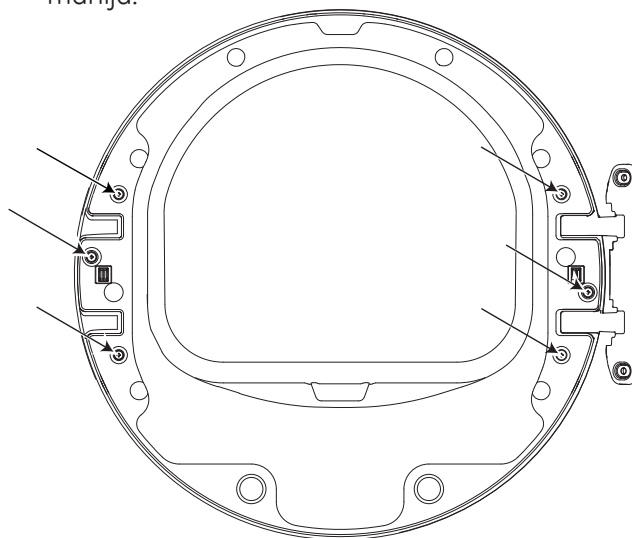


5 VUELVA A UBICAR EL ENSAMBLE DE LA BISAGRA Y EL ESPACIADOR DE LA MANIJA (cont.)

- D. Rote el ensamble de la bisagra 180 grados y vuelva a ubicar el mismo y el tapón de la puerta (en algunos modelos) en el lado opuesto de la estructura de la puerta interna.
- E. Rote el espaciador de la manija o el espaciador de la manija/ensamble del pestillo (según el modelo) 180 grados y vuelva a ubicar el mismo en el lado opuesto de la estructura de la puerta interna.



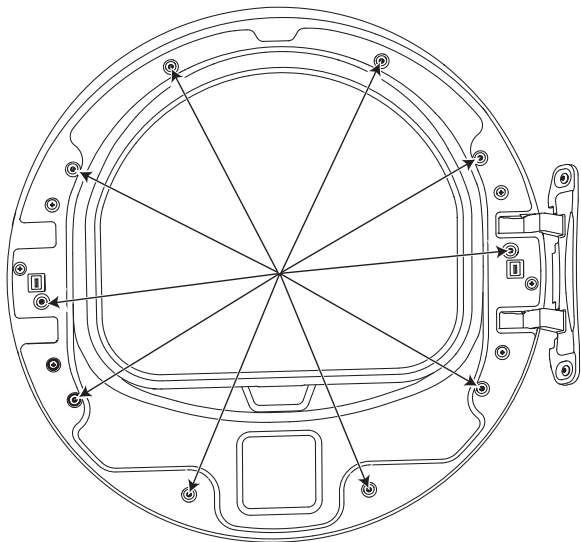
- F. Vuelva a instalar los tornillos a fin de asegurar el ensamble de la bisagra y el espaciador de la manija.



Instrucciones de instalación

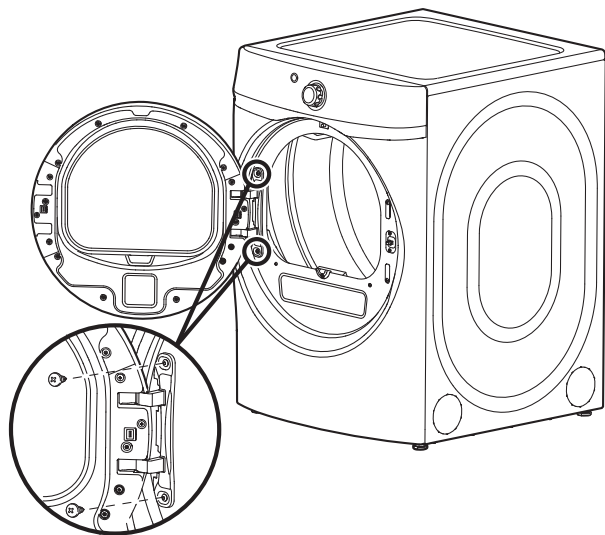
6 VUELVA A COLOCAR EN ENSAMBLE DE LA PUERTA

- A. Coloque la tapa de la puerta de cromo sobre una superficie suave y plana con una tapa protectora exterior de plástico que mire hacia abajo.
- B. Baje la estructura de la puerta interna sobre la tapa de la puerta de cromo.
- C. Asegúrese de que todos los agujeros de los tornillos estén alineados y vuelva a instalar los 10 tornillos (nº8 x 7/8").



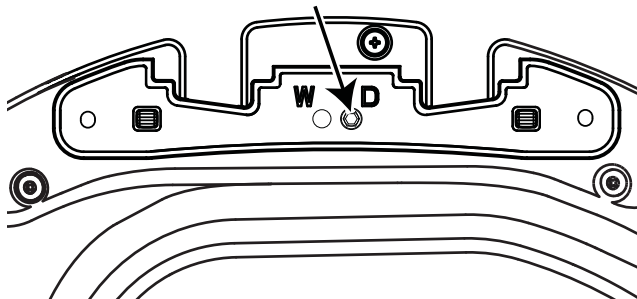
8 VUELVA A INSTALAR EL ENSAMBLE DE LA PUERTA

- A. Instale el ensamblaje de la puerta guiando la cabeza del tornillo de la clavija de la bisagra a través del agujero de la llave en el panel frontal y bajando el ensamblaje de la puerta en su posición.
- B. Abra la puerta aproximadamente 140 grados a fin de brindar acceso a las ubicaciones de los agujeros de los tornillos.
- C. Comenzando con el tornillo superior, vuelva a instalar los dos tornillos (nº10 x 5/8") que aseguran la puerta al panel frontal.

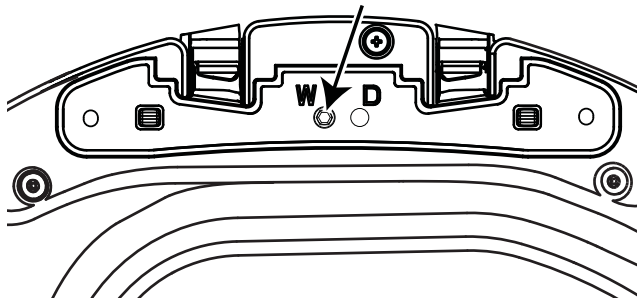


7 VUELVA A COLOCAR EL TORNILLO CON CLAVIJA DE LA BISAGRA

- A. Retire el tornillo con clavija de la bisagra del agujero con la etiqueta "D".



- B. Vuelva a instalar el tornillo con clavija de la bisagra en el agujero con la etiqueta "W".



Instrucciones de instalación

CÓMO APILAR LA LAVADORA Y LA SECADORA (si así lo desea)

ANTES DE COMENZAR

Lea detenidamente todas las instrucciones.

- **IMPORTANTE** – Guarde estas instrucciones para uso del inspector local.
- **IMPORTANTE** – Cumpla todos los códigos y ordenanzas regulatorias.
- **Nota al instalador** – Asegúrese de dejar estas instrucciones al usuario.
- **Nota al usuario** – Guarde estas instrucciones para consultas futuras.
- La instalación **debe** efectuarla un instalador calificado.
- La instalación adecuada es responsabilidad del instalador.

- Desconecte la energía antes de instalar. No hacerlo puede provocar una lesión personal grave o la muerte.

ADVERTENCIA - **Riesgo de Peso Excesivo**

Se deberá contar con dos o más personas para instalar la secadora. Si esto no se cumple, se podrán producir lesiones en la espalda u otras heridas.

- Evite la inclinación y ruptura de los servicios públicos. La secadora debe estar bien sujeta a la lavadora. NO coloque la lavadora sobre la secadora. Hacerlo puede provocar una lesión personal/la muerte o daños a la propiedad.
- Instalación en casas rodantes o casas prefabricadas – No se permite apilar una secadora a gas en casas rodantes o casas prefabricadas.

KIT DE APILADO DE GE APPLIANCES:

Ordene hoy a través de Internet en GEAppliancesparts.com, las 24 horas del día o en forma telefónica llamando al **800.626.2002**, durante el horario comercial habitual.

Número de Pieza	Accesorio
GEFLSTACK	Kit Completo de Apilado

ESPACIO LIBRE MÍNIMO EN OTROS ESPACIOS QUE NO SEAN INSTALACIONES EN NICHOS O ARMARIOS

Los espacios libres mínimos respecto de superficies combustibles y de aberturas de aire son: 0" a ambos lados, 1" en la parte trasera y 1" superior. Debe tenerse en cuenta un espacio libre adecuado para un funcionamiento y reparación correctos.

REQUERIMIENTOS PARA INSTALACIÓN EN NICHOS O ARMARIOS

ADVERTENCIA - **Riesgo de explosión**

Mantenga cualquier material y vapores inflamables, tales como gasolina, alejados de la secadora. Coloque la secadora a por lo menos 18" (46 cm.) del piso cuando sea instalada en un garaje. Si no se cumple con esto, se podrá producir una explosión, incendio o la muerte.


- Esta secadora DEBE tener una ventilación al exterior.
 - El espacio libre mínimo entre el armario de la secadora y las paredes adyacentes u otras superficies es:
 - 0" sobre ambos lados
 - 1" sobre el frente y la parte trasera
 - 1" superior
 - Se deberá considerar que se debe brindar el despeje adecuado para la instalación y el servicio técnico.
 - Las puertas del armario deben contar con rejillas u otro tipo de ventilación y tener por lo menos 60 pulgadas cuadradas de espacio abierto. Si el armario incluye una lavadora y una secadora, las puertas deben contener un mínimo de 120 pulgadas cuadradas de espacio abierto.
- NOTA:** CUANDO EL CONDUCTO DE SALIDA ESTÁ UBICADO EN LA PARTE TRASERA DE LA SECADORA, LA CONFIGURACIÓN DEL DUCTO PODRÍA REQUERIR DETRÁS UN CLARO MAYOR A 3 PULGADAS.
- Secadoras a Gas Únicamente:**
- No se deberá instalar ningún otro electrodoméstico que consuma combustible en el mismo armario donde haya una secadora a gas.
 - La secadora se deberá desconectar de la tubería de suministro de gas durante la prueba de presión en presiones superiores a ½ psi (3.5 kPa).
 - Una rosca cubierta NPT de 1/8", accesible para la conexión de un dispositivo de calibración, deberá ser instalada inmediatamente arriba de la conexión del suministro de gas a la secadora.

Instrucciones de instalación



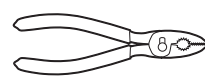


CÓMO APILAR LA LAVADORA Y LA SECADORA (si así lo desea) (cont.)

CONTENIDOS DEL KIT DE APILADO GEFLSTACK (ACCESORIO OPCIONAL)

NOTA: Los modelos con un Pedestal Encastrado™ no pueden ser apilados.

-  Soporte de lado izquierdo
-  Soporte de lado derecho
-  4 almohadillas de goma
-  4 tornillos #12 x 1"
-  4 tornillos #8 x 1/2"

HERRAMIENTAS NECESARIAS

-  Destornillador Phillips
-  Llave de extremo abierto
-  Pinzas
-  Guantes
-  Nivel

PREPARACIÓN PARA LA INSTALACIÓN

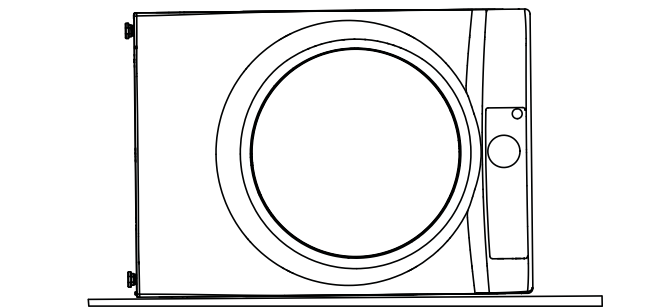
Quite el envoltorio.

Aplaste el cartón del producto para poder utilizarlo para colocar la secadora de costado. Siga usando el cartón para proteger el piso frente al lugar de instalación.

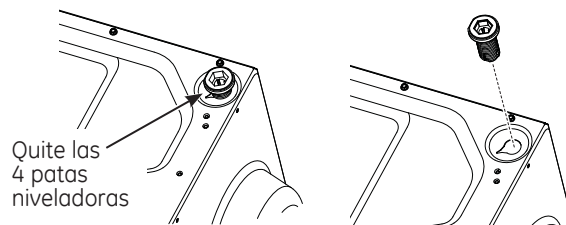
CÓMO INSTALAR EL KIT DE SOPORTE DE APILADO

1 CÓMO QUITAR LAS PATAS NIVELADORAS DE LA SECADORA

A. Con cuidado coloque la secadora sobre su lado. Utilice el material de empaque para no rayar el acabado de la secadora.

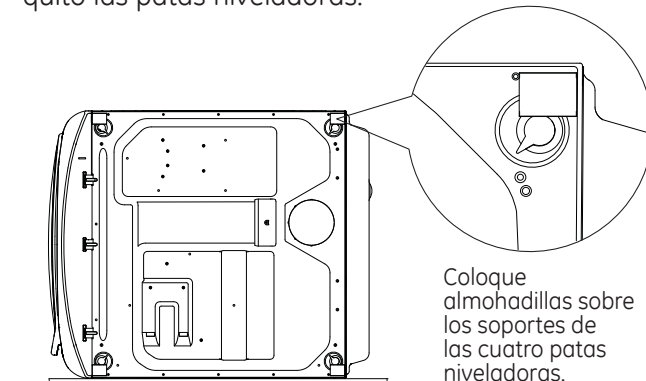


B. Utilice una llave de extremo abierto o pinzas para quitar las patas niveladoras de la secadora.



2 INSTALE ALMOHADILLAS DE GOMA EN LA BASE DE LA SECADORA

Ubique las 4 almohadillas de goma en el paquete de piezas. Quite el papel que recubre el adhesivo y colóquelas firmemente sobre el soporte donde quitó las patas niveladoras.

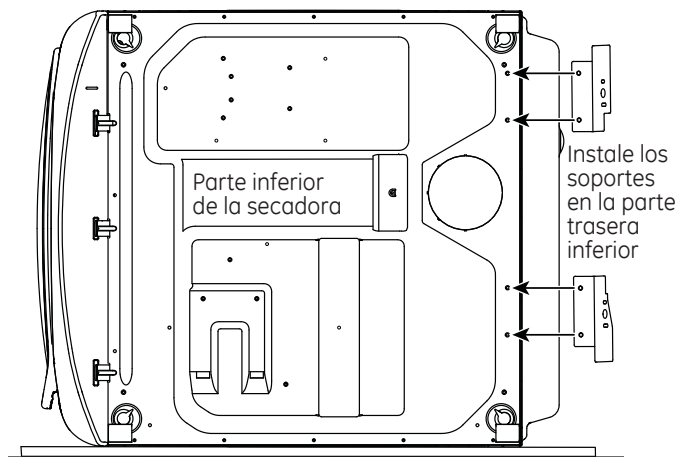


Instrucciones de instalación

3 CÓMO INSTALAR EL SOPORTE EN LA SECADORA

- Alinee los orificios del soporte izquierdo con los orificios del extremo inferior izquierdo de la secadora. Utilice un destornillador Phillips para instalar los 2 tornillos auto-roscantes #12 x 1".
- Repita el paso anterior con el soporte derecho en el extremo inferior derecho de la secadora.
- Coloque la secadora en posición vertical.

NOTA: Asegúrese de que la secadora se encuentre sobre un pedazo de material de empaque para que los soportes sujetos a la parte inferior de la secadora no dañen el piso.



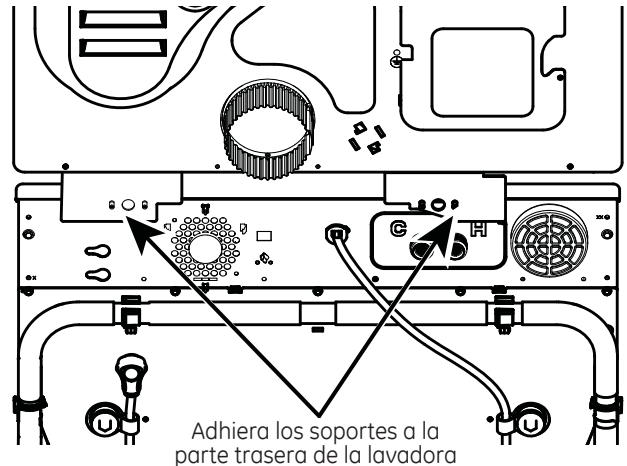
4 CÓMO INSTALAR LA SECADORA Y EL SOPORTE EN LA LAVADORA

- Levante la secadora sobre la lavadora. Tenga cuidado de no rayar la parte superior de la lavadora con los soportes. Proteja el panel de control de la lavadora con cartón u otra protección. Asegúrese de levantar la secadora lo suficiente para liberar el panel de control de la lavadora.

Se recomienda que más de dos personas levanten la secadora hasta su posición debido a su peso y tamaño. No hacerlo puede provocar una lesión personal o la muerte.

4 CÓMO INSTALAR LA SECADORA Y EL SOPORTE EN LA LAVADORA (cont.)

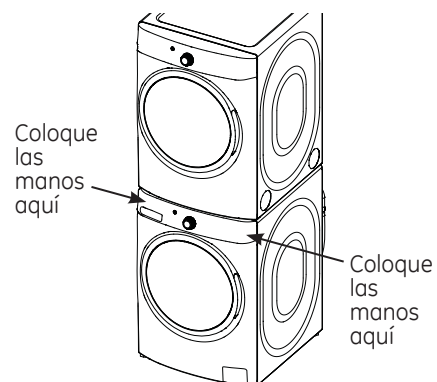
- Alinee los orificios del soporte con los orificios de la parte trasera de la lavadora. Con un destornillador Phillips, sujete los 2 tornillos auto-roscantes #8 x 1/2". Repita en ambos lados de la lavadora.



5 FINALICE LA INSTALACIÓN

- Consulte las Instrucciones de instalación de la lavadora para completar la instalación de la lavadora.
- Consulte las Instrucciones de instalación de la secadora para completar la instalación de la secadora.
- Con cuidado deslice o desplace la lavadora y secadora apiladas a su lugar. Utilice almohadillas u otro dispositivo para ayudar a deslizar los artefactos y para proteger el piso.

No empuje la secadora una vez que se haya instalado sobre la lavadora. Si empuja la secadora puede pellizcarse los dedos.



Antes de llamar al servicio de asistencia técnica...

Consejos para la solución de problemas

¡Ahorre tiempo y dinero! Consulte primero las tablas de las páginas siguientes o visite GEAppliances.com y quizás no necesite llamar al servicio.

Problema	Causas posibles	Solución
<i>La secadora se mueve o hace ruido</i>	El movimiento/ruido es normal. La secadora puede estar colocada en un lugar desnivelado	Desplace la secadora a un lugar nivelado, o ajuste las patas niveladoras según sea necesario.
<i>Las prendas tardan mucho en secarse</i>	Conducto inadecuado u obstruido	Controle las Instrucciones de instalación para verificar que la ventilación de la secadora sea la correcta. Verifique que el conducto se encuentre limpio, libre de abolladuras y sin obstrucciones. Controle que el regulador de tiro externo de pared funcione bien.
	Clasificación inadecuada	Separe prendas pesadas de livianas (generalmente, una carga bien clasificada para la lavadora es una carga bien clasificada para la secadora).
	Cargas grandes de telas pesadas (como toallas de playa)	Separe prendas pesadas de livianas (generalmente, una carga bien clasificada para la lavadora es una carga bien clasificada para la secadora).
	Los controles están mal configurados	Ajuste las configuraciones de control a la carga que esté secando.
	El filtro de pelusas está lleno	Limpie el filtro de pelusas antes de cada carga.
	Fusible quemado o disyuntor accionado	Cambie los fusibles o reconfigure los disyuntores. Ya que la mayoría de las secadoras utilizan 2 fusibles/disyuntores, asegúrese de que ambos estén funcionando.
	Carga excesiva/cargas combinadas	No coloque más de una carga en la secadora por vez.
	Poca carga	Si va secar sólo una o dos prendas, agregue algunas más para asegurar un secado correcto.
<i>Se ha seleccionado el nivel de secado Dry (Seco) pero la carga aún se encuentra húmeda</i>	eDry está activado	La característica eDry está diseñada para operar su secadora en el modo lo más eficiente en energía, que no es siempre el modo lo más rápido. En algunos casos, los tiempos de secado pueden ser extendidos para reducir el consumo total de energía del ciclo.
	La carga consiste de una combinación de telas pesadas y livianas	Cuando combine telas pesadas con livianas en una carga, escoja More Dry (Más seco).
<i>Las teclas de control</i>	El sistema de escape está tapado	Inspeccione y limpie el sistema de escape.
	Los controles se accionaron accidentalmente en el modo de servicio	Presione Start/Pause (Inicio/Pausa).
	Los controles se accionaron operation accidentalmente en el modo de de bloqueo	Sostenga el botón Lock Control (bloqueo de control) durante 3 segundos para desbloquear la secadora.
<i>La secadora no se enciende</i>	Los controles efectuaron una operación incorrecta	Reconfigure el disyuntor.
	El panel de control está "dormido"	Esto es normal. Presione Power (encendido) para activar el panel de control.
	La secadora está desenchufada	Verifique que el enchufe de la secadora esté bien colocado en el tomacorriente.
	Fusible quemado/disyuntor accionado	Verifique la caja de fusibles/disyuntor del edificio y cambie el fusible o reconfigure el disyuntor. NOTA: Las secadoras eléctricas utilizan dos fusibles o disyuntores.
	La secadora se puso en pausa accidentalmente cuando se iniciaba Delay Dry (Secado retardado)	Si la luz del botón Start/Pause (Inicio/Pausa) destella, la secadora se encuentra en pausa. Presione Start/Pause (Inicio/Pausa) para volver a iniciar la cuenta regresiva.

Problema	Causas posibles	Solución
No aparecen números en la pantalla durante el ciclo, sólo luces	La secadora monitorea constantemente la cantidad de humedad en la ropa	Esto es normal. Cuando la secadora detecta un nivel bajo de humedad en la carga, la secadora mostrará el tiempo restante de secado.
El tiempo restante ha saltado a un número inferior	El tiempo estimado podría cambiar si seca una carga menor a la normal	Esto es normal.
No puede realizar una selección y la secadora activa la alarma sonora dos veces	El Level (nivel de secado), Temp (temperatura) o la opción que intenta seleccionar es incompatible con el ciclo de secado que ha escogido.	Esto es normal.
La secadora se encuentra funcionando, pero el tiempo restante muestra 00	Se ha escogido la opción Ext Tumble (Prolongar secado)	Esto es normal. Durante el secado prolongado, no se muestra el tiempo restante. La opción de secado prolongado tarda 60 minutos aproximadamente.
Mensaje "Clean Filter" (Limpie filtro de pelusa)	Se activó el botón Power (Encendido/Apagado)	Presione Start/Pause (Inicio/Pausa) para iniciar un ciclo de secado y desaparecerá el mensaje.
La secadora no calienta	Fusible quemado/disyuntor desconectado; es posible que la secadora gire sin calentar	Revise la caja de fusibles/disyuntores y reemplace ambos fusibles y reconecte ambos disyuntores. Es posible que la secadora gire si únicamente un fusible se ha quemado o un solo disyuntor ha saltado.
	Se ha cortado el suministro de gas (modelos a gas solamente)	Asegúrese que la válvula de cierre en la secadora y la válvula maestra está completamente abierta.
	El tanque de suministro de gas LP está vacío o se ha producido una interrupción en el servicio de gas natural (en los modelos a gas solamente)	Rellene o reemplace el tanque. La secadora se deberá calentar cuando se reestablezca el servicio de gas.
Plazos de secado inconsistentes	Tipo de calor	Los plazos de secado automático pueden variar según el tipo de calor utilizado. Se ha cambiado recientemente de una secadora eléctrica a una a base de gas (natural o LP), o viceversa, el tiempo de secado podría ser diferente.
	Tipo de carga y condiciones de secado	El tamaño de la carga, tipos de telas, humedad de la ropa y longitud y condición del sistema de escape afectará los tiempos de secado.
Las prendas aún se encuentran húmedas y la secadora se apaga después de un tiempo corto	Se abrió la puerta a la mitad del ciclo. Luego se procedió a retirar la carga de la secadora y se colocó una carga nueva sin seleccionar un ciclo nuevo	Se debe volver a seleccionar un ciclo de secado cada vez que se coloca una carga nueva.
	Carga pequeña	Cuando seque 3 o menos prendas, escoja Speed Dry (Secado rápido) o Time Dry (Secado cronometrado).
	La carga ya se encontraba seca a excepción de los cuellos y pretinas	Escoja Speed Dry (Secado rápido) o Time Dry (Secado cronometrado) para secar los cuellos y pretinas que estén húmedos. En el futuro, al secar una carga que contenga cuellos y pretinas, escoja More Dry (Más seco).
	La secadora no está nivelada	Mueva la secadora a un área con piso nivelado o ajuste las patas niveladoras como sea necesario hasta que se encuentre nivelada.

Problema	Causas posibles	Solución
Las prendas están arrugadas	Sobresecado	Seleccione un plazo de secado más breve. Retire las prendas mientras están húmedas. Programe el ajuste a Less Dry (Menos seco) o Damp (Secado húmedo).
	Las prendas permanecen en la secadora después que ha terminado el ciclo	Retire las prendas cuando finaliza el ciclo y doble o cuélguelas inmediatamente, o utilice la opción Ext Tumble (Secado prolongado).
	Sobrecarga	Separe las cargas más grandes en más pequeñas.
Las prendas se encogen	Algunas telas se encogen de manera natural cuando se lavan. Otras pueden lavarse sin problemas, pero se encogerán en la secadora	Para evitar encoger las prendas, siga las instrucciones de las etiquetas exactamente. Algunas prendas pueden plancharse nuevamente a su forma original después de secarlas. Si tiene dudas sobre si una prenda en particular encogerá, no la lave a máquina ni la seque con giro.
Manchas de grasa en la ropa	Uso inapropiado de suavizador de telas	Siga las direcciones en el envase del suavizador de telas.
	Secado de artículos sucios con limpios	Utilice su secadora para secar únicamente artículos limpios. Los artículos sucios pueden manchar los artículos limpios y la secadora.
	Las prendas no están completamente limpias	Algunas manchas que no se pueden ver cuando las prendas están mojadas aparecen después del secado. Utilice procedimientos apropiados de lavado antes del secado.
Pelusa en las prendas	El filtro de pelusa está lleno	Limpie el filtro antes de cada carga.
	Clasificación incorrecta	Clasifique las prendas que producen pelusa (como felpilla) de las prendas que juntan pelusa (como la pana).
	La electricidad estática puede atraer pelusa	Consulte las sugerencias en esta sección bajo Ocurre estática
	Sobrecarga	Separe las cargas más grandes en menor tamaño.
	Papel, servilletas, etc., quedan dentro de los bolsillos de la ropa	Vacíe todos los bolsillos antes de lavar la ropa.
Ocurre estática	No se utilizó ningún tipo de suavizador de telas	Intente utilizar un suavizador de telas. Bounce® Fabric Conditioner Dryer Sheets ha sido aprobado para ser usado con todas las Secadoras GE Appliances y cuando se usen de acuerdo con las instrucciones del fabricante.
	Sobresecado	Intente utilizar un suavizador de telas. Programe el ajuste a Less Dry (Menos seco) o Damp (Secado húmedo).
	Artículos sintéticos, planchado permanente y combinaciones pueden causar estática	Intente utilizar un suavizador de telas.
Los cuellos y pretinas aún se encuentran húmedos al final del ciclo	El monitor de sequedad detecta que el cuerpo de las prendas está seco	Escoja Speed Dry (Secado rápido) o Time Dry (Secado cronometrado) para secar dejando húmedos los cuellos y pretinas. En el futuro, cuando seque una carga con cuellos y pretinas, escoja More Dry (Más seco).
Pequeña variación del color metálico.	Esto es normal.	Debido a las propiedades metálicas de la pintura utilizada con este producto único, pueden ocurrir pequeñas variaciones de color debido ángulos de visualización y condiciones de iluminación.

Antes de llamar al servicio de asistencia técnica...

Problem	Possible Causes	What To Do
<i>Durante un ciclo de vapor no pueden verse las prendas porque la puerta está muy cubierta por vapor.</i>	El vapor se condensa en la puerta interna.	Esto es normal.
<i>Se ve agua dentro de la puerta y sobre el filtro de pelusa cuando se abre la puerta después del ciclo de vapor de vapor</i>	El vapor se condensa sobre estas superficies.	Esto es normal.
<i>Pequeñas áreas de las prendas se encuentran húmedas después del ciclo</i>	El vapor se condensa en el tambor interno.	Si va a utilizar el ciclo Steam Dewrinkle (Desarrugar con vapor), reduzca manualmente el tiempo del ciclo. Si va a utilizar el ciclo garments to the load. Steam Refresh (Refrescar con vapor), agregue más prendas a la carga.
<i>Hay una pequeña cantidad de agua sobre el piso frente a la secadora.</i>	Tamaño de carga inadecuado para el ciclo de vapor seleccionado, el vapor excedente se condensa dentro del gabinete y se escapa.	Si va a utilizar el ciclo Steam Dewrinkle (Desarrugar con vapor), reduzca manualmente el tiempo del ciclo. Si va a utilizar el ciclo garments to the load. Steam Refresh (Refrescar con vapor), agregue más prendas a la carga.
<i>Hay agua en el piso en la parte trasera de la secadora</i>	La conexión de manguera de agua a la válvula se encuentra floja.	Ajuste la conexión.
	La manguera no cuenta con la arandela de goma en la conexión con la válvula.	Instale la arandela de goma provista con la manguera.
<i>La secadora hace ruido a agua</i>	La válvula de agua está abierta llenando el generador de vapor	Esto es normal.
	El generador de vapor está suministrando vapor al tambor	Esto es normal.
<i>Cae agua de la puerta cuando se la abre después de un ciclo de vapor.</i>	El vapor se condensa en la puerta interna.	Esto es normal.
<i>No puede verse vapor al comienzo del ciclo</i>	El vapor se libera en un momento diferente en el ciclo.	Esto es normal.
<i>No se ve vapor en ningún momento durante el ciclo</i>	La boquilla de vapor puede estar bloqueada con suciedad proveniente del suministro de agua	Llame GE Appliances al 800.GE.CARES para solicitar el kit de reemplazo de boquilla WE25M71 o para solicitar un técnico que lo reemplace por usted.
<i>Las prendas siguen arrugadas después de ciclo de vapor</i>	Demasiadas prendas.	Cargue menos prendas; incremente el tiempo manualmente.
<i>La secadora sigue girando después de que la pantalla indica Complete (finalización)</i>	Se seleccionó Ext Tumble el secado prolongado.	Asegúrese de que Ext Tumble la opción de secado prolongado no esté seleccionada. Para el ciclo Steam Refresh (Refrescar con vapor), se accionará automáticamente Ext Tumble el secado prolongado y no podrá apagarse.



Todos los servicios de garantía se ofrecen a través de nuestros centros de asistencia técnica o un técnico autorizado de Customer Care®. Para programar servicio de asistencia técnica, en línea, visite la página GEAppliances.com o llame GE Appliances al 800.GE.CARES (1.800.432.2737). Cuando llame para solicitar servicio, por favor tenga a mano el número de serie y el número de modelo.

Engrape el recibo aquí.
Se necesita el comprobante con la fecha de compra original para que la garantía cubra los servicios.

Para realizar el servicio técnico de su electrodoméstico se podrá requerir el uso de datos del puerto de abordaje para su diagnóstico. Esto da al técnico del Servicio de Fábrica de GE Appliances la habilidad de diagnosticar de forma rápida cualquier problema con su electrodoméstico, y de ayudar a GE Appliances a mejorar sus productos al brindarle a GE Appliances la información sobre su electrodoméstico. Si no desea que los datos de su electrodoméstico sean enviados a GE Appliances, solicitamos que le indique a su técnico NO entregar los datos a GE Appliances en el momento del servicio.

Período:	Se sustituirá:
Un año Desde la fecha de compra original	Cualquier pieza de la secadora que falle debido a un defecto de los materiales o mano de obra. Durante esta garantía limitada de un año , GE Appliances también ofrece, en forma gratuita , toda la mano de obra y los costos de servicio para reemplazar la pieza defectuosa.

No se encuentra cubierto:

- Visitas a su hogar para enseñarle a usar el producto.
- Instalación, entrega o mantenimiento inadecuados.
- Fallas del producto debido a abuso, uso indebido, uso diferente para el que fue diseñado, o uso comercial.
- Recambio de la bombilla de luz después de su vida útil esperada.
- Reemplazo de fusibles domésticos o la reconfiguración de los interruptores de circuito.
- Daños al producto provocados por accidentes, incendios, inundaciones o fuerza mayor.
- Daños incidentales o resultantes provocados por posibles defectos en este artefacto.
- Daños provocados después de la entrega.
- Producto no accesible para prestar el servicio técnico solicitado.
- Defectos o daños causados por la operación en temperaturas bajo cero C.
- Productos que no están defectuosos o dañados o que funcionan según la descripción del Manual del usuario.

EXCLUSIÓN DE GARANTÍAS IMPLÍCITAS—Su único y exclusivo derecho es la reparación del producto, tal y como se indica en esta Garantía limitada. Cualquier garantía implícita, incluyendo las garantías implícitas de comerciabilidad o adecuación para un fin determinado, están limitadas a un año o el período de tiempo más breve permitido por la ley.

Esta garantía se extiende al comprador original y cualquier comprador posterior de productos comprados para uso residencial dentro de los Estados Unidos. Si el producto está situado en un área que no dispone de servicio por parte de un proveedor de servicio autorizado de GE Appliances, podría tener que hacerse cargo de los costos de envío o bien podría solicitarse que lleve el producto a un centro de servicio de GE Appliances autorizado para realizar la reparación. En Alaska, la garantía excluye el costo de envío o las visitas de servicio a su casa.

Algunos estados no permiten la exclusión o las limitaciones de daños incidentales o consecuenciales. Esta garantía da derechos legales específicos, y usted podría tener otros derechos que varían de estado a estado. Para saber cuáles son sus derechos legales, consulte a la oficina de asuntos del consumidor local o la oficina del Procurador (Attorney General) en su localidad.

Garante: GE Appliances

Apoyo al cliente.



Sitio Web de GE Appliances

En los EE.UU.: **GEAppliances.com**

¿Tiene una consulta o necesita ayuda con su aparato? ¡Visite el Sitio Web de GE Appliances las 24 horas al día, todos los días del año! Para una mayor comodidad y un servicio más rápido, ahora usted puede bajar los Manuales del Propietario, solicitar piezas o programar atención on-line.

En Canadá: www.GEAppliances.ca.



Programe una reparación

En los EE.UU.: **GEAppliances.com**

El servicio experto de reparación de GE Appliances está sólo a un paso de su hogar. ¡Programe on-line el servicio técnico a su conveniencia cualquier día del año! O llame GE Appliances al 800.GE.CARES (800.432.2737) durante horario normal de trabajo. **En Canadá, llame al 1.800.561.3344**



Estudio de diseño para la vida real

En los EE.UU.: **GEAppliances.com**

GE Appliances apoya el concepto de Diseño Universal: Productos, servicios y ambientes que pueden ser utilizados por personas de todas las edades, tamaños y capacidades. Reconocemos la necesidad de la creación de diseños para una amplia gama de capacidades y limitaciones físicas y mentales. Para más detalles sobre las aplicaciones de Diseño Universal de GE Appliances, incluyendo ideas de diseño de cocina para personas con discapacidades, visite el Sitio Web hoy mismo. Para las personas con problemas auditivos, llame al 800.TDD.GEAC (800.833.4322).

En Canadá, comuníquese con: Manager, Consumer Relations, MC Commercial
Suite 310, 1 Factory Lane
Moncton, N.B. E1C 9M3



Garantías extendidas

En los EE.UU.: **GEAppliances.com**

Adquiera una garantía extendida de GE Appliances y averigüe sobre descuentos especiales disponibles durante la vigencia de su garantía. Usted puede adquirirla on-line en cualquier momento, o llamar al 800.626.2224 en horario normal de trabajo. El Servicio Doméstico al Consumidor de GE Appliances también lo ayudará después de que su garantía haya expirado. **En Canadá, llame al 1.888.261.2133**



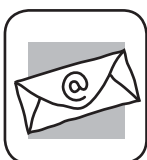
Piezas y accesorios

En los EE.UU.: **GEApplianceparts.com**

Las personas calificadas para arreglar sus propios aparatos pueden recibir las piezas o accesorios directamente en sus hogares (se aceptan las tarjetas VISA, MasterCard y Discover). Solicítelos on-line hoy mismo, las 24 horas del día o por teléfono al 800.626.2002 en horario normal de trabajo.

Las instrucciones incluidas en este manual cubren los procedimientos a realizar por cualquier usuario. Personal de servicio técnico calificado debe efectuar otra clase de arreglos. Debe tenerse mucho cuidado, porque los arreglos inadecuados pueden provocar un funcionamiento poco seguro.

Los clientes de Canadá deben consultar las páginas amarillas para encontrar el centro de servicio Mabe más cercano, o deben llamar al 1.800.661.1616.



Comuníquese con nosotros

En los EE.UU.: **GEAppliances.com**

Si no se encuentra satisfecho con el servicio que recibe de GE Appliances, comuníquese con nosotros a través del Sitio Web con todos los detalles, incluyendo número de teléfono, o escríbanos a:

General Manager, Customer Relations
GE Appliances, Appliance Park
Louisville, KY 40225

En Canadá: www.GEAppliances.ca, o escriba a:

Director, Consumer Relations
MC Commercial
Suite 310, 1 Factory Lane
Moncton, N.B. E1C 9M3



Registre su aparato

En los EE.UU.: **GEAppliances.com**

Registre su nuevo aparato on-line, ¡como le resulte más conveniente! Una inscripción de producto oportuna mejorará y acelerará las comunicaciones y el servicio según los términos de la presente garantía, si surgiera la necesidad. Usted también puede enviar por correo la tarjeta de inscripción pre-impresa incluida con el material de empaque. **En Canadá:** www.GEAppliances.ca