

Safety Instructions & Operator's Manual for

# SNAPPER®

## SCRAMBLER

### HYDRO DRIVE

### SERIES 5



<b>MODELS</b>
YZ18425BVE
YZ20485BVE

#### MODEL NUMBER EXPLANATION

Y	Z	18	42	5	B	V	E
---	---	----	----	---	---	---	---

MODEL DESIGNATION	—	Y	—	Z	—	18	—	42	—	5	—	B	—	V	—	E	—	ENGINE OPTIONS
DRIVE SYSTEM TYPE	—	Y	—	Z	—	18	—	42	—	5	—	B	—	V	—	E	—	ENGINE TYPE
ENGINE HORSE POWER	—	Y	—	Z	—	18	—	42	—	5	—	B	—	V	—	E	—	ENGINE MODEL
CUTTING WIDTH	—	Y	—	Z	—	18	—	42	—	5	—	B	—	V	—	E	—	SERIES DESIGNATION

Y - SCRAMBLER	18 - 16 HP Engine	42 - 42" Cutting Deck	5 - Series Designation	B - Briggs Engine	V - Over Head Valve
Z - Zero Turning Radius	20 - 20 HP Engine	48 - 48" Cutting Deck			E - Electric Start

Thank you for buying a SNAPPER Product! Before operating your SCRAMBLER, read this manual carefully and pay particular attention to the "IMPORTANT SAFETY INSTRUCTIONS" on Pages 2 - 4. Remember that all power equipment can be dangerous if used improperly. Also keep in mind that SAFETY requires careful use in accordance with the operating instructions and common sense!

**SNAPPER**® McDonough, GA., 30253 U.S.A.



## IMPORTANT SAFETY INSTRUCTIONS



**WARNING:** This powerful cutting machine is capable of amputating hands and feet and can throw objects that can cause injury and damage! Failure to comply with the following **SAFETY** instructions could result in serious injury or death to the operator or other persons. The owner of the machine must understand these instructions and must allow only persons who understand these instructions to operate machine. Each person operating the machine must be of sound mind and body and must not be under the influence of any substance, which might impair vision, dexterity or judgment. If you have any questions pertaining to your machine which your dealer cannot answer to your satisfaction, call or write the Customer Service Department at SNAPPER, McDonough, Georgia 30253. Phone: (1-800-935-2967).

### PROTECTION FOR CHILDREN

Tragic accidents can occur if the operator is not alert to the presence of children. Children are often attracted to the machine and the mowing activity. Never assume that children will remain where you last saw them.

1. **KEEP** children out of the mowing area and under the watchful care of a responsible adult.
2. **DO NOT** allow children in yard when machine is operated (even with the blade **OFF**).
3. **DO NOT** allow children or others to ride on machine, attachments or towed equipment (even with the blades **OFF**). They may fall and be seriously injured.
4. **DO NOT** allow pre-teenage children to operate machine.
5. **ALLOW** only responsible adults & teenagers with mature judgment under close adult supervision to operate machine.
6. **DO NOT** operate blades in reverse. **STOP BLADES. LOOK and SEE** behind and down for children, pets and hazards before and while backing.
7. **USE EXTRA CARE** when approaching blind corners, shrubs, trees, or other objects that may obscure vision.

### PROTECTION AGAINST TIPOVERS

Slopes are a major factor related to loss-of-control and tip-over accidents, which can result in severe injury or death. All slopes require extra **CAUTION**. If you cannot back up the slope or if you feel uneasy on the slope, **DO NOT** mow it. Use extra care with grass catchers or other attachments; these affect the handling and the stability of the machine.

1. **DO NOT** operate machine on slopes exceeding 15 degrees (27% grade).
2. Exercise **EXTREME CAUTION** on slopes above 10 degrees (18% grade). Turn blades **OFF** when traveling uphill. Use a slow speed and avoid sudden or sharp turns.
3. **DO NOT** operate machine back and forth across face of slopes. Operate up and down. Practice on slopes with blades off.
4. **AVOID** starting, stopping or turning on slopes. If machine stops going uphill or tires lose traction, turn blades **OFF** and back slowly straight down the slope.
5. **STAY ALERT** for holes and other hidden hazards. Tall grass can hide obstacles. Keep away from ditches, washouts, culverts, fences and protruding objects.

### PROTECTION AGAINST TIPOVERS

(Continued From Previous Column)

6. **KEEP A SAFE DISTANCE** (at least 3 feet) away from edge of ditches and other drop offs. The machine could turn over if an edge caves in.
7. Always begin forward motion slowly and with caution.
8. Use weights or a weighted load carrier in accordance with instructions supplied with a grass catcher. **DO NOT** operate machine on slopes exceeding 10 degrees (18% grade) when equipped with grass catcher.
9. **DO NOT** put your foot on the ground to try to stabilize the machine.
10. **DO NOT** operate machine on wet grass. Reduced traction could cause sliding.
11. Choose a low enough speed setting so that you will not have to stop or shift on a slope. Tires may lose traction on slopes even though the brakes are functioning properly.
12. **DO NOT** operate machine under any condition where traction, steering or stability is doubtful.
13. Always keep the machine in gear when going down slopes. **DO NOT** shift to neutral (or actuate hydro roll release) and coast downhill.

### PREPARATION

1. Read, understand, and follow instructions and warnings in this manual and on the machine, engine and attachments. Know the controls and the proper use of the machine before starting.
2. Only mature, responsible persons shall operate the machine and only after proper instruction.
3. Data indicates that operators age 60 and above, are involved in a large percentage of mower-related injuries. These operators should evaluate their ability to operate the mower safely enough to protect themselves and others from serious injury.
4. Handle fuel with extra care. Fuels are flammable and vapors are explosive. Use only an approved fuel container. **DO NOT** remove fuel cap or add fuel with engine running. Add fuel outdoors only with engine stopped and cool. Clean spilled fuel from machine. **DO NOT** smoke.
5. Practice operation of machine with **BLADES OFF** to learn controls and develop skills.
6. Check the area to be mowed and remove all objects such as toys, wire, rocks, limbs and other objects that could cause injury if thrown by blade or interfere with mowing.



## IMPORTANT SAFETY INSTRUCTIONS



### PREPARATION

(Continued From Previous Page)

7. Keep people and pets out of mowing area. Immediately STOP blades, STOP engine, and STOP machine if anyone enters the area.
8. Check shields, deflectors, switches, blade controls and other safety devices frequently for proper operation and location.
9. Make sure all safety decals are clearly legible. Replace if damaged.
10. Protect yourself when mowing and wear safety glasses, long pants and substantial footwear.
11. Know how to STOP blades and engine quickly in preparation for emergencies.
12. Use extra care when loading or unloading the machine into a trailer or truck.
13. Check grass catcher components frequently for signs of wear or deterioration and replace as needed to prevent injury from thrown objects going through weak or worn spots.

### SAFE HANDLING OF GASOLINE

To avoid personal injury or property damage, use extreme care in handling gasoline. Gasoline is extremely flammable and the vapors are explosive

1. Extinguish all cigarettes, cigars, pipes and other sources of ignition.
2. Use only an approved fuel container.
3. DO NOT remove fuel cap or add fuel with the engine running. Allow the engine to cool before refueling.
4. DO NOT refuel the machine indoors.
5. DO NOT store the machine or fuel container inside where there is an open flame, spark or pilot light such as on a water heater or other appliances.
6. DO NOT fill fuel containers inside a vehicle or on a truck or trailer bed with a plastic liner. Always place the containers on the ground away from the vehicle before filling.
7. Remove gas-powered equipment from the vehicle or trailer and refuel it on the ground. If this is not possible, then refuel equipment using a portable container, rather than a gasoline dispenser nozzle.
8. DO NOT start gas powered equipment in enclosed vehicles or trailers.
9. Keep the nozzle in contact with the rim of the fuel tank or container opening at all times until fueling is complete. DO NOT use a nozzle lock-open device
10. If fuel is spilled on clothing, change clothing immediately.
11. Never overfill a fuel tank. Replace fuel cap and tighten securely.

### OPERATION

1. Mount and dismount machine from left side.
2. Start engine from operator's seat, if possible. Make sure blades are OFF and parking brake is set.
3. DO NOT leave machine with engine running. STOP engine, STOP blades, SET brake, and Remove key before leaving operators position of any reason.
4. DO NOT operate machine unless properly seated with feet on feet rests or pedal(s).
5. STOP BLADES and ENGINE and make sure blades have stopped before removing grass catcher or unclogging mower to prevent loss of fingers or hand.
6. Blades must be OFF except when cutting grass. Set blades in highest position when mowing over rough ground.
7. Keep hands and feet away from rotating blades underneath deck. DO NOT place foot on ground while BLADES are ON or machine is in motion.
8. DO NOT operate machine without entire grass catcher or guards in place. DO NOT point discharge at people, passing cars, windows or doors.
9. Slow down before turning.
10. Watch out for traffic when near or crossing roadways.
11. STOP engine immediately after striking an obstruction. Inspect machine and repair damage before resuming operation.
12. Operate machine only in daylight or with good artificial light.
13. Move joystick (if equipped) SLOWLY to maintain control during speed and directional changes.
14. Exercise CAUTION when pulling loads. Limit loads to those you can safely control and attach loads to hitch plate as specified with SNAPPER attachment instructions.
15. On slopes, the weight of the towed equipment may cause loss of traction and loss of control. When towing, travel slowly and allow extra distance to stop.
16. DO NOT operate engine in enclosed areas. Engine exhaust gases contain carbon monoxide, a deadly poison.



## IMPORTANT SAFETY INSTRUCTIONS



### MAINTENANCE

1. **DO NOT** store machine or fuel container inside where fumes may reach an open flame, spark or pilot light such as in a water heater, furnace, clothes dryer or other gas appliance. Allow engine to cool before storing machine in an enclosure. Store fuel container out of the reach of children in a well ventilated, unoccupied building.
2. Keep engine free of grass, leaves or excess grease to reduce fire hazard and engine overheating.
3. When draining fuel tank, drain fuel into an approved container outdoors and away from open flame.
4. Check brakes frequently; adjust, repair or replace as needed.
5. Keep all bolts, nuts and screws properly tight. Check that all cotter pins are in proper position.
6. Always provide adequate ventilation when running engine. Exhaust gases contain carbon monoxide, an odorless and deadly poison.
7. Disconnect negative (black) cable from battery before performing maintenance or service. Cranking engine could cause injury.
8. **DO NOT** work under machine without safety blocks.
9. Service engine and make adjustments only when engine is stopped. Remove spark plug wire(s) from spark plug(s) and secure wire(s) away from spark plug(s).
10. **DO NOT** change engine governor speed settings or overspeed engine.
11. Lubricate machine at intervals specified in manual to prevent controls from binding.
12. Mower blades are sharp and can cut. Wrap the blades or wear heavy leather gloves and use **CAUTION** when handling them.
13. **DO NOT** test for spark by grounding spark plug next to spark plug hole; spark plug could ignite gas exiting engine.
14. Have machine serviced by an authorized **SNAPPER** dealer at least once a year and have the dealer install any new safety devices.
15. Use only genuine **SNAPPER** replacement parts to assure that original standards are maintained.

# TABLE OF CONTENTS

IMPORTANT SAFETY INSTRUCTIONS.....	2-4
TABLE OF CONTENTS.....	5
SECTION 1 - FAMILIARIZATION.....	6
SECTION 2 - OPERATING INSTRUCTIONS.....	7-10
Pre-start Checklist .....	7-8
Rolling Machine w/o Engine Running .....	7
Starting & Stopping Engine, Propelling Mower .....	8-9
Starting & Stopping Mower Blades .....	9
Starting & Stopping Wheel Drive .....	9
Setting & Releasing Parking Brake .....	9
Cutting Height Adjustment.....	10
Safety Interlock System Checks .....	10
SECTION 3 - MAINTENANCE INSTRUCTIONS .....	11-14
Service – After First Five Hours.....	11
Change Engine Oil .....	11
Check Mower Blade .....	11
Check Mower Drive Belt.....	12
Check Transaxle Drive Belts.....	12
Service - Every 25 Operating Hours .....	12
Check Engine.....	12-13
Check Mower Components .....	13
Mower Blade Spindle – Lubrication .....	13-14
Mower Deck Linkage – Lubrication.....	14
Front Wheel Bearings - Lubrication .....	14
Front Caster Wheel Pivot Shaft .....	14
Parking Brake Pivot Bushings.....	14
Service - Annually .....	15
Engine .....	15
Air Filter.....	15
Oil Filter.....	15
Engine Oil.....	15
Transaxle.....	15
Fuel Filter .....	15
Storage – Out of Season.....	15
SECTION 4 - ADJUSTMENTS AND REPAIR.....	16-23
Engine Adjustments & Repair.....	16
Mower Deck & Components Adjustments.....	16
Mower Drive Belt Adjustment .....	16
Mower Drive Belt Replacement.....	16
Belt Removal & Replacement.....	16-17
Blade Brake.....	17
Mower Deck Adjustment (Levelness - Side to Side 48" Deck).....	17-18
Mower Deck Adjustment (Front to Rear Pitch 48" Deck).....	18
Mower Deck Adjustment (Side to Side, 42" & 48" Decks) .....	19
Mower Deck Adjustment (Front to Rear Pitch, 42" Decks).....	20
Mower Deck Timing Rod – (42" Decks) .....	20
Wheel Brake Adjustment.....	20
Mower Blade Wear Limits.....	21
Blade Sharpening .....	21
Blade Replacement .....	21
Battery Removal .....	22
Battery Installation .....	22
Battery Service & Charging.....	22
New Battery Preparation.....	22-23
Battery Testing .....	23
TROUBLESHOOTING .....	24-25
Maintenance/Replacement Parts .....	25
SERVICE SCHEDULE .....	26
WARRANTY.....	27
PRIMARY MAINTENANCE .....	28-31
PRODUCT REGISTRATION FORM.....	32

# Section 1 - FAMILIARIZATION

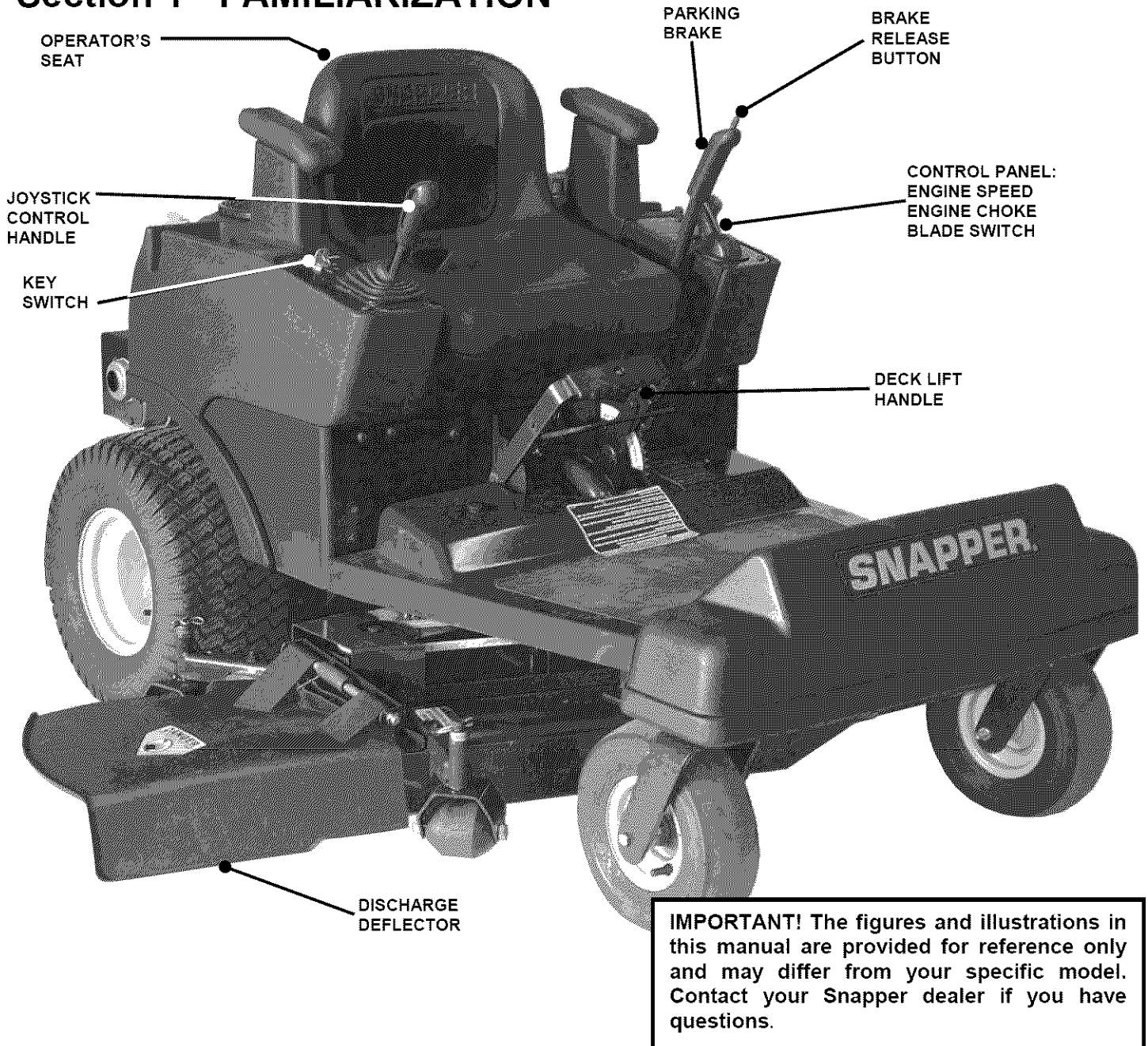


FIGURE 1.1

## 1.1 INTRODUCTION

This manual has been prepared for the operator's of the SNAPPER SCRAMBLER. Its purpose, aside from recommending standard operating procedures and routine service requirements, is to promote SAFETY through the use of accepted operating practices. Read, Understand and Follow the IMPORTANT SAFETY INSTRUCTIONS on Pages 2 - 4 of this manual and All SAFETY messages on the SCRAMBLER and its attachments before operating. SNAPPER recommends returning the SCRAMBLER to an authorized SNAPPER dealer annually for inspection and addition of any new devices which might upgrade the safety of the mower.

## 1.2 NOMENCLATURE

The nomenclature drawing above, Figure 1.1, shows the essential parts of the SNAPPER SCRAMBLER. It is recommended that all operators of this equipment become thoroughly familiar with the controls, components, and operation of this machine before operating. Specific details involving the engine are found in the separate engine owner's manual. Study these manuals before operating and keep both handy for future reference. For the nearest SNAPPER dealer in your area, check the yellow pages under the heading LAWN MOWERS. For engine parts and service, look for the engine manufacturer's dealers under the heading, ENGINES - gasoline.

## Section 2 - OPERATING INSTRUCTIONS

### 2.1 PRE-START CHECK LIST

Make the following checks and perform the service required before each start-up.

**2.1.1.** Check tires and add or release air as needed to bring pressure to 12 P.S.I. in front and 12 P.S.I. in rear tires.

**2.1.2.** Check guards, deflectors and covers to make sure all are in place and securely tightened.

**2.1.3.** Check engine oil and add oil as needed to bring level up to the FULL mark. Refer to engine owner's manual for oil specifications. See Figure 2.1.

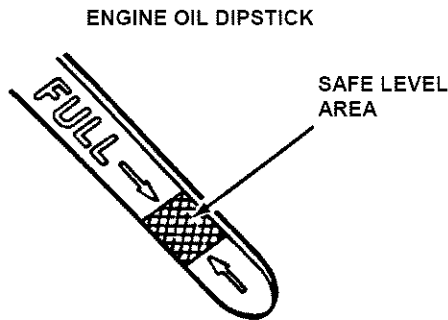


FIGURE 2.1

**2.1.4.** Check Blade switch to insure it works freely. Switch is pulled "OUT" into the "ON" position for blade engagement or pushed back "IN" into the "OFF" position for blade disengagement. See Figure 2.2. **IMPORTANT:** Disengagement stops the blades rotation.

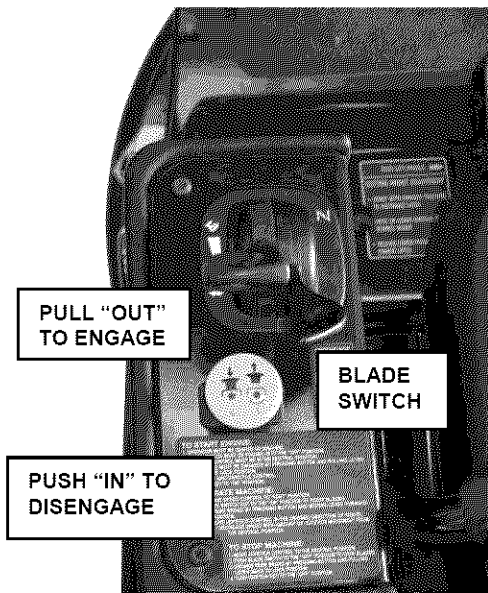


FIGURE 2.2

**2.1.5.** Clean exterior surfaces of cutting deck and engine of any accumulation of dirt, grass, oil, etc. Keep engine air intake screen and cooling fins clear at all times.

**2.1.6.** Add fuel to tank of the SCRAMBLER outside where fumes can safely dissipate. Refer to engine owner's manual for fuel specifications. Make sure fuel filler cap is tight and vent is open after refueling. See Figure 2.3. Open fuel valve located in fuel line.

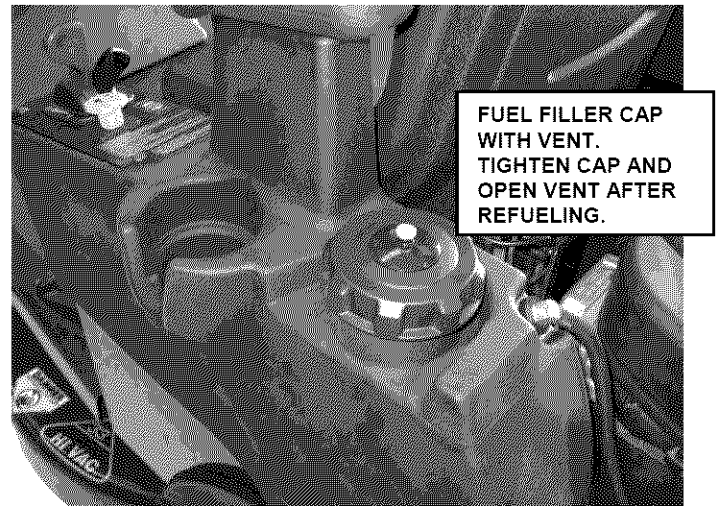


FIGURE 2.3

**IMPORTANT:** To roll the machine without the engine running, pressure within the hydraulic pumps must be released. Tilt seat up and move control lever down to release pressure. **NOTE:** Control lever must be in the "UP" position to drive machine. See Figure 2.4.

**DO NOT USE CONTROL TO RELEASE PRESSURE AND COAST DOWN SLOPES. RELEASE PRESSURE ONLY WHEN MACHINE MOTION CAN BE CONTROLLED AND ENGINE OFF.**

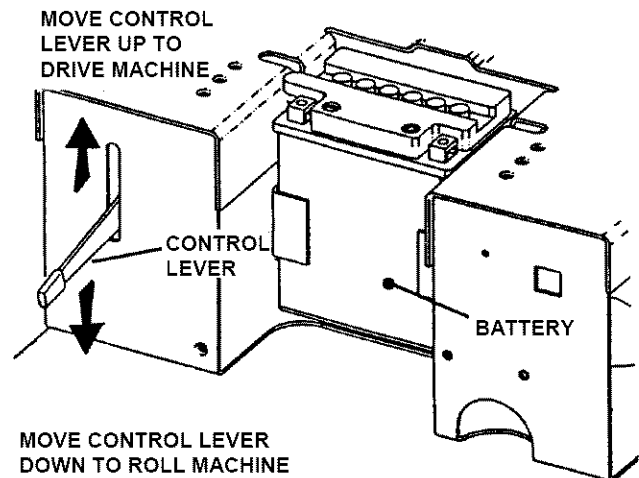


FIGURE 2.4

## Section 2 - OPERATING INSTRUCTIONS

**IMPORTANT:** This **SCRAMBLER** is equipped with hydrostatic drive. The forward, rearward and steering movement of the machine is controlled by a joystick lever. Joystick operations should be performed only from the operator's position in the seat. A small movement of the joystick can cause the machine to move instantly. Move joystick very carefully and slowly.

1. Always move the joystick to the center position to "STOP" machine. **IMPORTANT:** To stop machine always return the joystick with hand assistance to the neutral position. Always engage parking brake when leaving operator's seat.

2. Move the joystick forward to propel the machine forward.

3. Move the joystick rearward to propel the machine backward.

4. Move the joystick to the right to rotate the front of the machine in circular motion to the right, as in turning around to go in a different direction.

5. Move the joystick to the left to rotate the front of the machine in circular motion to the left, as in turning around to go in a different direction.

### 2.2 STARTING & OPERATION

#### 2.2.1. ENGINE (ELECTRIC START)

**IMPORTANT:** When the ignition key is turned to "START", the engine will not turn over and will not start unless the Parking Brake is engaged and the Blade Switch is in the "Off" position. The operator should be in the seat. Start engine as follows:

1. Move joystick lever to (N) Neutral position. See Figure 2.5.

2. Make certain the blade switch is in the "Off" position. See Figure 2.6.

3. Make certain the parking brake is engaged. See Figure 2.5.

4. Open vent on fuel cap by turning counterclockwise. Open fuel valve located in fuel line. **IMPORTANT:** Failure to open vent and fuel valve will cause engine to stall or not to start.

5. Move choke control forward to the choke "ON" position. See Figure 2.6.

6. Move engine speed control forward to the "Fast" (Rabbit) position. See Figure 2.6.

7. Turn key to the "START" position until engine starts. See Figure 2.5. **NOTE:** If after 5 seconds of cranking the engine and it does not start, release the key. Attempt starting again after waiting for approximately 20 seconds.

8. After engine starts, move choke control rearward to the "OFF" position. Move engine speed control to the desired speed position. Allow a brief warm-up until engine runs smooth.

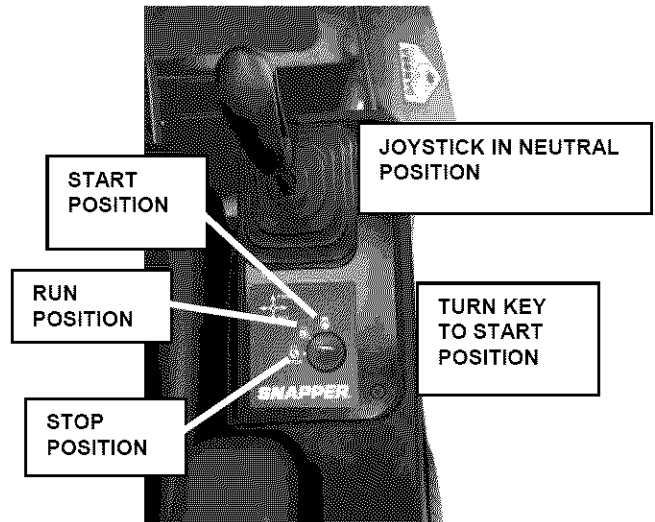


FIGURE 2.5

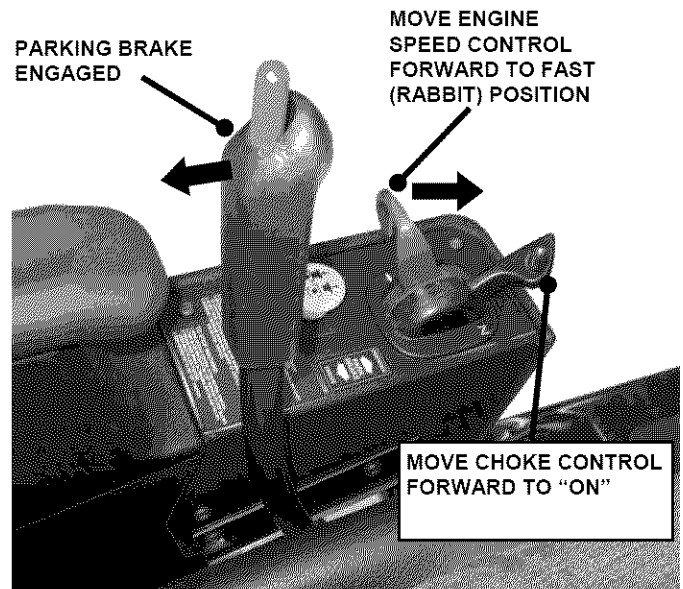


FIGURE 2.6

**WARNING**  
DO NOT leave machine with engine running. STOP engine. STOP blades. Engage park brake. Remove key. DO NOT park machine on slopes.

(Continued on Next Page)



## Section 2 - OPERATING INSTRUCTIONS

### 2.2.2. MOWER BLADE

1. With engine running, move engine speed control to the Rabbit or "Fast" position.
2. Pull the blade switch out into the "ON" position to engage the mower blades. See Figure 2.7.

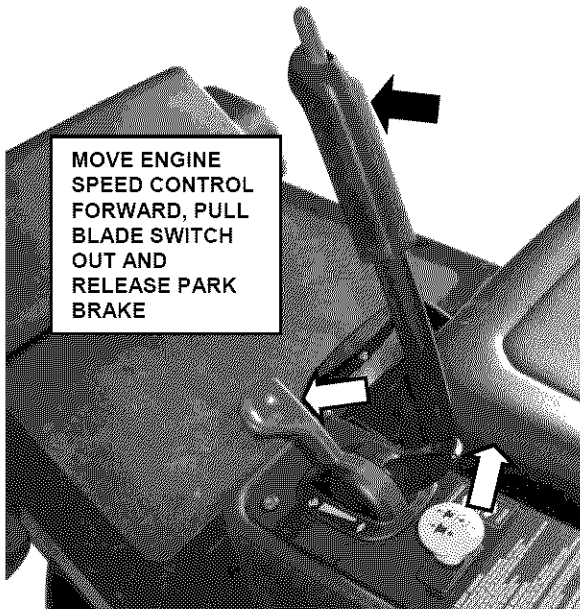


FIGURE 2.7

3. Release the parking brake. See Figure 2.7.

**WARNING**  
DO NOT operate blades in reverse. STOP Blades. LOOK and SEE behind and down for children, pets and hazards before and while backing.

4. Move joystick carefully in the desired direction to propel the machine. A small movement of the joystick can cause the machine to move instantly. Move joystick carefully and slowly.

### 2.3 STOPPING

#### 2.3.1. ENGINE

1. Stop engine by turning key to the "STOP" position. See Figure 2.8.

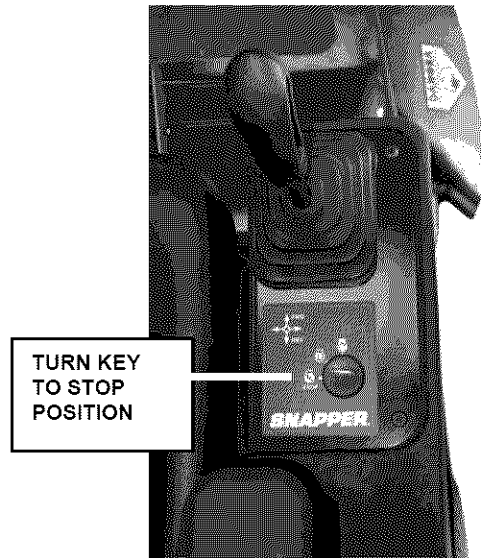


FIGURE 2.8

**WARNING**  
DO NOT leave the machine with the engine running. STOP engine. STOP blades. Engage parking brake. Remove key. DO NOT park machine on slopes.

#### 2.3.2. WHEEL DRIVE

1. Stop motion of riding mower by moving joystick to neutral (N) position. See Figure 2.8.

#### 2.3.3. MOWER BLADE

1. Push the blade switch in to "OFF" position to disengage or stop the mower blades. See Figure 2.7.

**WARNING**  
Blades must stop rotating in 5 seconds or less after blades have been turned off. DO NOT operate machine until blade brake has been repaired and functioning properly. Contact your SNAPPER dealer for assistance.

#### 2.3.4. PARKING BRAKE

1. Manually position joystick in the neutral position.
2. Engage parking brake by pushing button at the top of lever and then pulling the parking brake lever back to the "ON" position.
3. Release parking brake by pushing button at the top of lever and moving brake lever forward to the "OFF" position. Refer Figure. 2.7.

## Section 2 - OPERATING INSTRUCTIONS

### 2.3.5. CUTTING HEIGHT ADJUSTMENT

This machine has seven different cutting height positions. **IMPORTANT:** When positioning the cutting deck into a higher cutting position, pull up on the deck lift handle only, it is not necessary to pull up on the release lever at the same time. Use the release lever when moving deck cutting height to a lower cutting position.

1. Grasp both handles together to disengage latch.
2. Raise or lower handles to desired height.
3. Release lower handle to engage latch. See Figure 2.9.

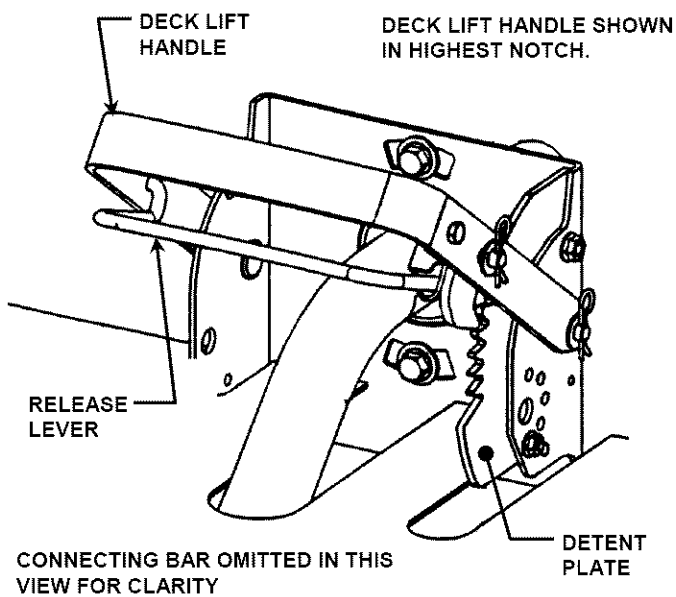


FIGURE 2.9

### 2.4 SAFETY INTERLOCK SYSTEM CHECKS

This machine is equipped with an electrical safety interlock system that is provided for the safety of the operator and others. All safety devices must be in place and functioning properly before operating the machine. Perform the following interlock system checks periodically during the operating season. Contact your authorized Snapper dealer if you have questions.



#### ENGINE MUST NOT START IF:

- 1) Park Brake not in engaged position, OR,
- 2) Blade Switch in the "ON" blades engaged position.

#### ENGINE SHOULD START IF:

- 1) Blade Switch in the "OFF" blades disengaged position AND,
- 2) Park Brake in engaged position.

#### ENGINE MUST BEGIN TO STOP IF:

- 1) Operator rises off of seat with Blade Switch in "ON" blades engaged position OR,
- 2) Operator rises off of seat with Park Brake not in engaged position.

**IMPORTANT:** Engine will continue to run if Operator becomes seated prior to engine coming to a complete stop. To restart the blades, first move the Blade Switch to the "OFF" position and then back to the "ON" position. After coming to a complete stop, the blade switch must be moved to the "OFF" position and the Park Brake engaged before engine can be restarted. Engine and blades must come to a complete stop within 5 seconds after the operator rises off the seat or the blade switch is moved to the "OFF" position.

# Section 3 - MAINTENANCE

## 3.1 INTRODUCTION

To retain the quality of the SCRAMBLER, use genuine SNAPPER replacement parts only. Contact a local SNAPPER dealer for parts and service assistance. For the correct part or information for a particular mower, always mention the model and serial number.

## 3.2 SERVICE - AFTER FIRST 5 HOURS

**WARNING**

**DO NOT** attempt any adjustments, maintenance or service with the engine or blade running. **STOP** blade. **STOP** engine. Set brake. Remove key. Remove spark plug wire from spark plug and secure wire away from spark plug. Engine and components can be extremely hot. Avoid burns by allowing engine and components sufficient time to cool.

### 3.2.1. CHANGE ENGINE OIL

1. Place bricks or wooden blocks under the front wheels to lower rear of engine.
2. Place a 4 quart minimum capacity container under the end of the oil drain.
3. Loosen or remove oil fill cap on engine.
4. Install the drain hose (Supplied in hardware bag) onto drain plug nipple and place hose into drain container.
5. Rotate drain plug counter-clockwise and pull out to open and allow oil to drain out. See Figure 3.1.

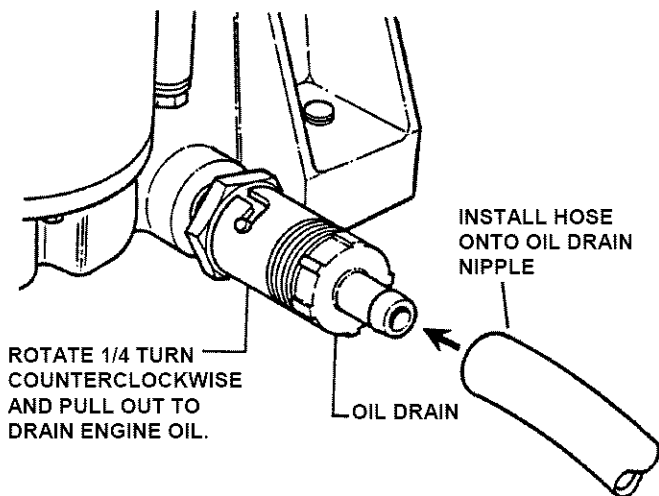


FIGURE 3.1

6. After all the oil has drained, close the drain by pushing in and rotating clockwise to close. Wipe up any oil that may have spilled. Dispose of drained oil properly. See Figure 3.1.
7. Change oil filter at every oil change. Refer to your engine owner's manual for service instructions.
8. Fill engine crankcase with new oil. Refer to your engine owner's manual for oil specifications.

### 3.2.2. SERVICE ENGINE AIR CLEANER

The engine is equipped with a dual element air cleaner. Both the foam pre-cleaner and cartridge require service. Refer to Engine Owner's Manual for recommended service procedures.

### 3.2.3. CHECK MOWER BLADE

1. Close vent on fuel cap and make sure cap is tight. Close fuel valve in fuel line. Start engine and allow it to run until engine runs out of fuel.
2. Engage parking brake.
3. Turn key to "OFF" position and remove key from ignition switch.

**WARNING**

Wear heavy leather gloves when handling or working around cutting blades. Blades are extremely sharp and can cause severe injury.

4. Carefully stand SCRAMBLER on rear bumper. It may be necessary to have help to stand unit up.
5. Check torque of blade mounting bolts or nuts. Torque to:  
42" Decks -- 30 to 40 ft. lbs.  
48" Decks -- 80 to 90 ft. lbs.  
See Figure 3.2.
6. Check blade for sharpness, wear and damage. Refer to Section "BLADE WEAR LIMITS".

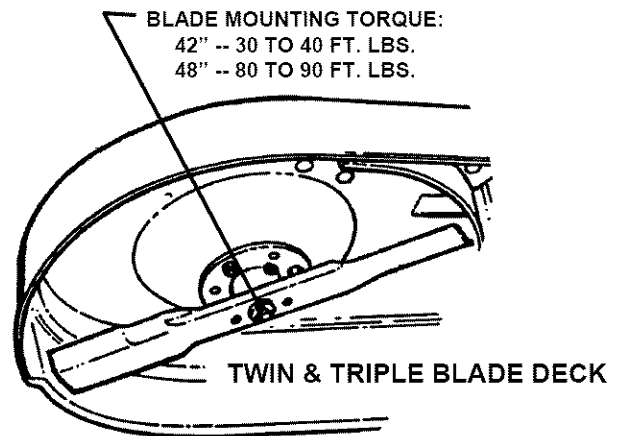


FIGURE 3.2

7. Check blade for straightness.

**WARNING**

**DO NOT** use a cutting blade that shows signs of excessive wear or damage. Refer to Section "MOWER BLADE REPLACEMENT" for proper blade inspection and service procedures.

# Section 3 - MAINTENANCE

## 3.2.4. CHECK MOWER DRIVE BELT

### 1. Footrest/Floor pan Removal

- a. Pull deck lift handle to highest cutting position. See Figure 3.3.
- b. Remove the two knobs that secure the rear of the floor pan.
- c. Remove two bolts at front bottom edge of foot rest. Lift up on footrest and slide rear of floor pan out from under deck lift mechanism.

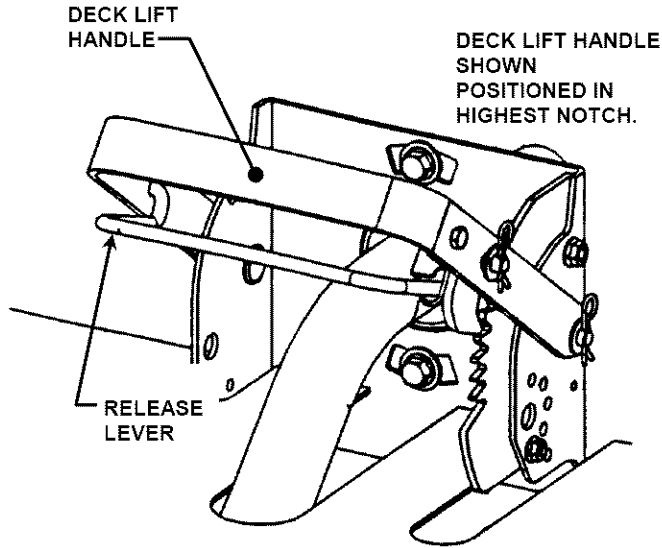


FIGURE 3.3

### 2. Checking Mower Belt Tension

The idler and spring provide proper belt tension and require no adjustment. If belt is frayed, slit, severed or belt strands exposed, replace belt before operating mower. Reinstall footrest/floor pan assembly.

## 3.2.5. CHECK TRANSAXLE DRIVE BELT

### 1. Checking Transaxle Belt Tension

The transaxle drive belt requires no adjustment. If belt is frayed, slit, severed or belt strands exposed, replace belt before operating mower.

## 3.3 SERVICE EVERY 25 OPERATING HOURS

### 3.3.1. ENGINE

#### 1. Engine Cooling System

The engine cooling system consists of an engine shroud and engine fins. These should be kept clean and free of debris as needed or cleaned.

#### 2. Engine Oil

Change engine oil. See Section on CHANGE ENGINE OIL. Refer to engine owner's manual for oil specifications.

#### 3. Oil Filter

Change engine oil filter. Refer to engine owner's manual for filter specifications.

#### 4. Fuel Filter

Refer to engine owner's manual for service instructions.

#### 5. Air Filter

Refer to engine owner's manual for service instructions.

- a. **20 Hp Engines:** Change air filter. Remove bolts that secure air cleaner cover. See Figure 3.4.

**IMPORTANT:** When cover is removed, you are viewing the carburetor side of the air filter, which will appear clean. Remove filter and pre-cleaner for inspection.

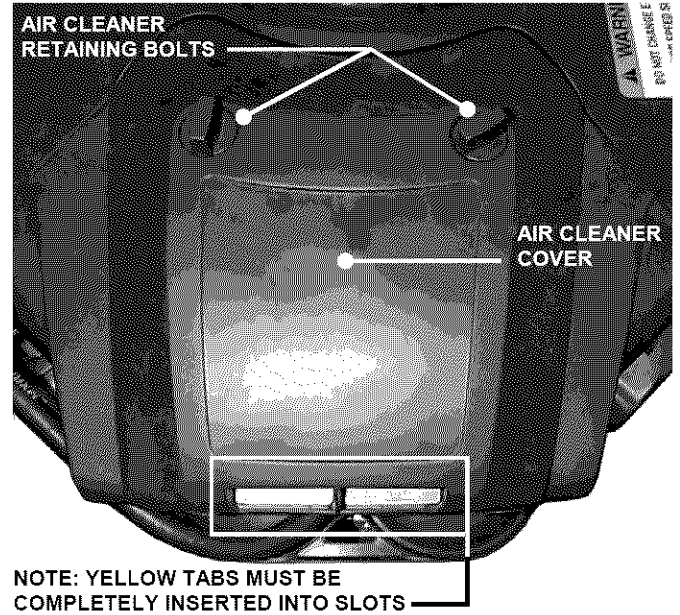


FIGURE 3.4

- b. Refer to engine owner's manual for cleaning and service instructions. Remove and clean engine air pre-cleaner. Remove and replace engine air cleaner. See Figure 3.5. Install pre-cleaner and air cleaner per engine owner's manual.

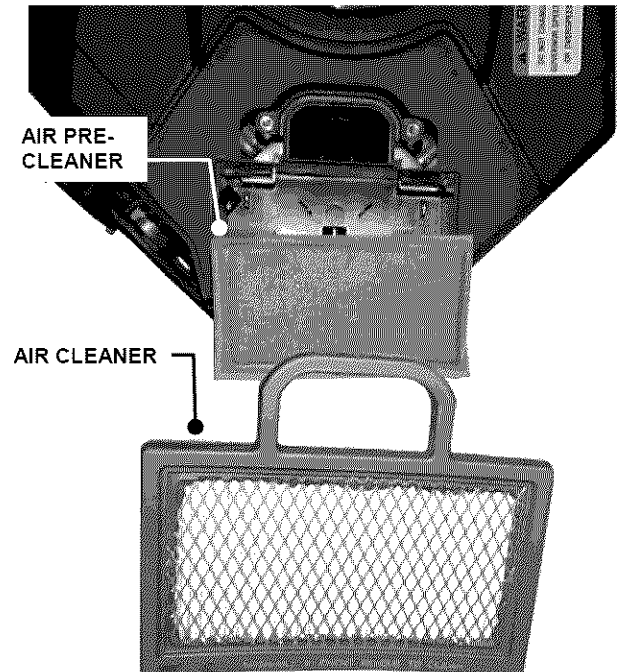


FIGURE 3.5

# Section 3 - MAINTENANCE

## 3.3 SERVICE EVERY 25 OPERATING HOURS

### 3.3.1. ENGINE

#### 5. Air Filter

c. Reinstall air cleaner cover. Insert tabs located on the engine cover into corresponding slots in air cleaner cover. **IMPORTANT:** The yellow tabs must be completely inserted into air cleaner cover or the compartment will not be completely sealed to prevent debris from entering into the carburetor.

a. **18 HP Engines:** Change air filter. Pull up and rotate the air cleaner latch to remove cleaner cover. See Figure 3.4.

**IMPORTANT:** When cover is removed, you are viewing the carburetor side of the air filter, which will appear clean. Remove filter and pre-cleaner for inspection.

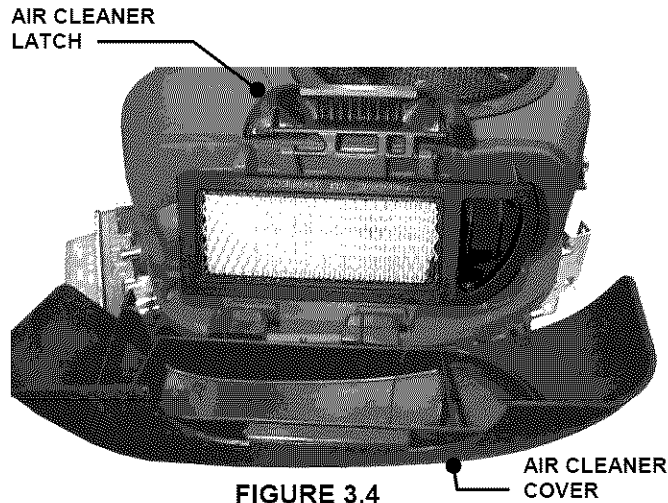


FIGURE 3.4

b. Refer to engine owner's manual for cleaning and service instructions. Remove and clean engine air pre-cleaner. Remove and replace engine air cleaner. See Figure 3.5. Install pre-cleaner and air cleaner per engine owner's manual.

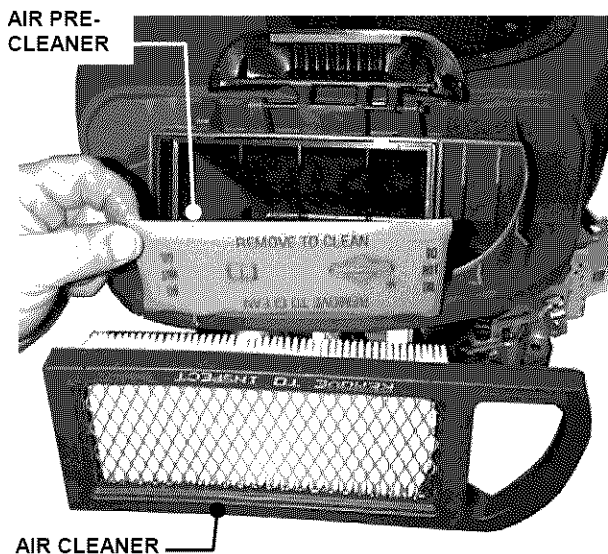


FIGURE 3.5

c. Reinstall air cleaner cover. Insert tabs located at the bottom of the cover into corresponding slots in engine cover. Position cover and engage latch over cover and rotate and push down to lock.

### 3.3.2. MOWER COMPONENTS

#### 1. Mower Drive Belt

Check belt for proper tension. No adjustment required. Replace belt as needed.

#### 2. Mower Blade

Check blade for sharpness, wear, damage, and torque. See the section on Mower Blade Replacement/Repair.

#### 3. Mower Deck Levelness

Check mower deck for proper levelness. Adjust as required. See section on Mower Deck Adjustment - Levelness.

**WARNING**

Lifting or letting down the machine unassisted can cause severe injury. Always have assistance from another person when supporting the weight of machine.

#### 4. Cleaning Mower Deck

- a. Close vent on fuel cap and make sure cap is tight. Close fuel valve in fuel line. Start engine and allow it to run until engine runs out of fuel.
- b. Remove key from ignition switch.
- c. Remove spark plug wire(s) and secure away from spark plug(s).
- d. Carefully stand SCRAMBLER on rear bumper.
- e. Clean underside of mower deck, removing all accumulation of grass clippings and debris.
- f. Lower SCRAMBLER to ground. Clean top of deck, removing all grass clippings and debris.

#### 5. Mower Blade Spindle - Lubrication

a. Lubricate spindle bearings with three shots of general purpose grease from grease gun. See Figure 3.6.

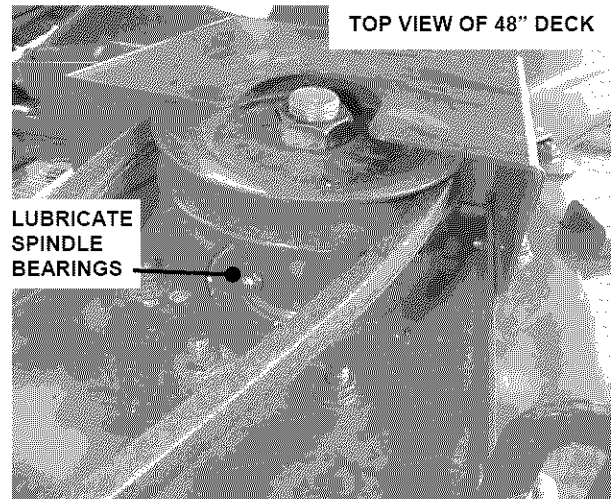


FIGURE 3.6

## Section 3 - MAINTENANCE

**WARNING**

DO NOT attempt any adjustments, maintenance or service with the engine or blade running. STOP blade. STOP engine. Set brake. Remove key. Remove spark plug wire from spark plug and secure wire away from spark plug. Engine and components can be extremely hot. Avoid burns by allowing engine and components sufficient time to cool.

### 5. Mower Blade Spindle - Lubrication

b. 42" Deck spindle assemblies are equipped with a grease fitting located underneath the deck. Lubricate spindle bearings with three shots of general purpose grease from grease gun.

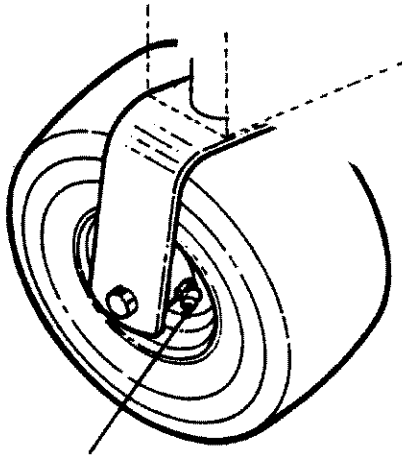
### 6. Mower Deck Linkage - Lubrication

Lubricate all mower deck linkage pivot points with a light coat of motor oil.

### 3.3.3. SCRAMBLER - LUBRICATION

#### 1. Front Wheel Bearings

Lubricate front wheel bearings with five shots of general purpose grease from grease gun. See Figure 3.7.



LUBRICATE FRONT WHEEL BEARINGS

FIGURE 3.7

#### 2. Front Caster Wheel Pivot Shaft

The footrest/floor pan assembly will have to be removed to lubricate the pivot shaft. The access hole is at the rear of the front structure underneath the footrest.

a. The pivot shaft grease fitting can be accessed through a hole at the rear of the front structure. Lubricate pivot shaft with three shots of general purpose grease from grease gun. See Figure 3.8.

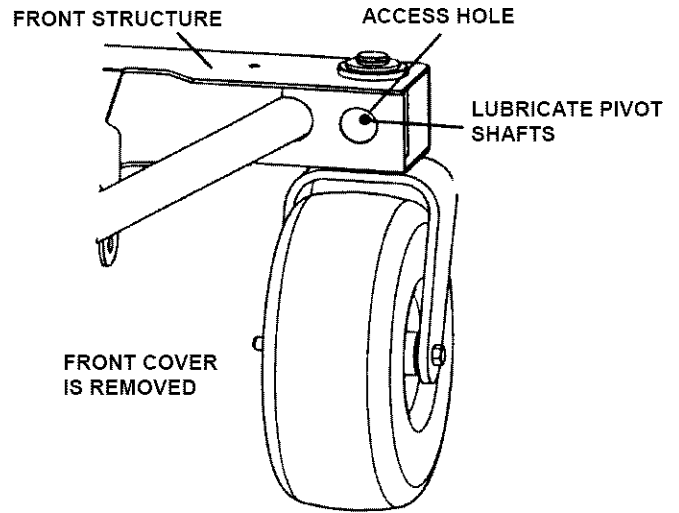


FIGURE 3.8

#### 3. Parking Brake Pivot Bushings

- Close vent on fuel cap and make sure cap is tight. Close fuel valve in fuel line. Start engine and allow it to run until engine runs out of fuel.
- Remove key from ignition switch.
- Remove spark plug wire(s) and secure away from spark plug(s).
- Carefully stand SCRAMBLER on rear bumper.
- Lubricate both pivot bushings with three shots general purpose grease from grease gun. See Figure 3.9

SCRAMBLER SHOWN WITH DECK REMOVED. DECK REMOVAL NOT NECESSARY FOR LUBRICATION.

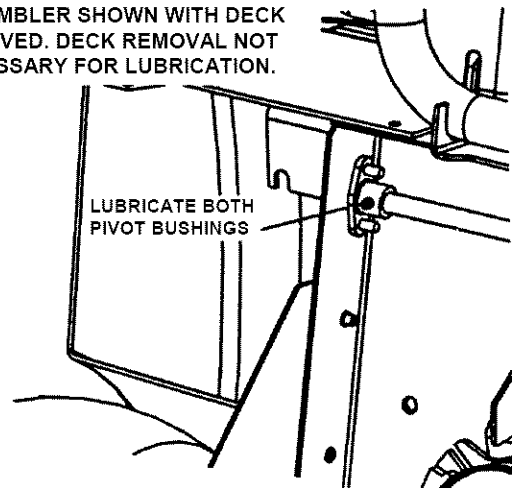


FIGURE 3.9

## Section 3 – MAINTENANCE

### 3.4 SERVICE - ANNUALLY

Perform all maintenance as described in the maintenance schedule.

#### 3.4.1. Engine

Service engine according to engine owner's manual.

#### 3.4.2. Air Filter

Refer to engine owner's manual for service instructions.

#### 3.4.3. Oil Filter

Refer to engine owner's manual for service instructions.

#### 3.4.4. Engine Oil

Refer to engine owner's manual for service instructions.

#### 3.4.5. Transaxle

**IMPORTANT: DO NOT try to open reservoir cap at any time. The transaxle is maintenance free. The transaxle does not require any fluid or any service. If there is any problem: leakage, malfunction or etc. return the SCRAMBLER immediately to the nearest authorized Snapper dealer for service.**

#### 3.4.6. Fuel Filter

Service fuel filter as instructed below. Close fuel valve in fuel line. Run engine until engine runs out of fuel. Turn key to "OFF" position. Engine **MUST** be stopped and **MUST** be cold before removing filter. Perform filter change only when fuel line is empty.

1. Remove hose clamps from fuel filter.
2. Remove fuel lines from filter. Discard filter.
3. Install new fuel filter. Reinstall hose clamps. See Figure 3.8.

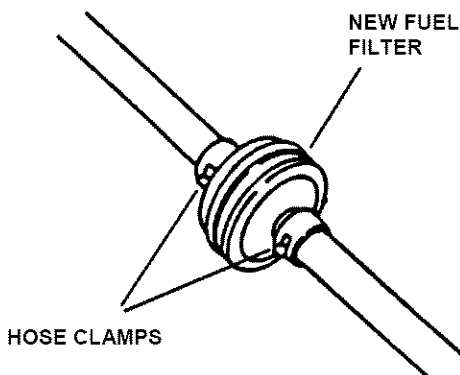


FIGURE 3.8

### 3.5 STORAGE (OUT OF SEASON)

If desired, the SCRAMBLER can be stored on the rear bumper. Perform the following procedures to insure the SCRAMBLER will operate properly when taken out of storage.

**3.5.1.** Thoroughly clean the SCRAMBLER by removing all grass clippings and debris.

**3.5.2.** Perform maintenance and lubrication as described in the previous sections.

**3.5.3.** Drain fuel from fuel tank into an approved container outdoors away from all sources of ignition.

**3.5.4.** Start engine and allow it to run until engine runs out of fuel. This allows the carburetor and fuel system to remain clean during storage.

**3.5.5.** Remove battery. Refer to Section "BATTERY REMOVAL AND STORAGE".

**3.5.6.** Close vent on fuel cap and fuel valve in fuel line. Remove key.

**3.5.7.** Carefully stand SCRAMBLER on rear bumper in desired location for storage.

## Section 4 - ADJUSTMENTS & REPAIR

**WARNING**

DO NOT attempt any adjustments, maintenance or service with the engine or blade running. STOP blade. STOP engine. Set brake. Remove key. Remove spark plug wire from spark plug and secure wire away from spark plug. Engine and components can be extremely hot. Avoid burns by allowing engine and components sufficient time to cool.

### 4.1 ENGINE ADJUSTMENTS & REPAIR

Refer to the engine owner's manual for those adjustments and/or repairs that can be made by the owner.

### 4.2 MOWER DECK & COMPONENT ADJUSTMENTS

The following mower deck and component adjustments and repairs can be made by the owner. However, if there is difficulty in achieving these adjustments and repairs, it is recommended that these repairs be made by an authorized SNAPPER dealer.

#### 4.2.1. MOWER DRIVE BELT ADJUSTMENT

The 42" and 48" mower deck drive belts do not require any adjustment. If the belt does not drive blade properly, replace belt as needed. See Section "Belt Replacement". Belt routing shown on this page. See Figure 4.1.

#### 4.2.2. MOWER DRIVE BELT REPLACEMENT

Inspect mower drive belt. Replace belt if signs of excessive wear and/or damage are present.

#### 4.2.3. BELT REMOVAL

1. Remove footrest/floor pan assembly.
2. Remove old belt.

#### 4.2.4. BELT REPLACEMENT

1. Route new belt around electric clutch pulley. See Figure 4.2.
2. Route belt around stationary idler.
3. Remove spring that is connected to idler pulley. Loosen nut and bolt that secures idler pulley to idler arm. Route belt between belt guide and idler pulley.

(Continued On Next Page)

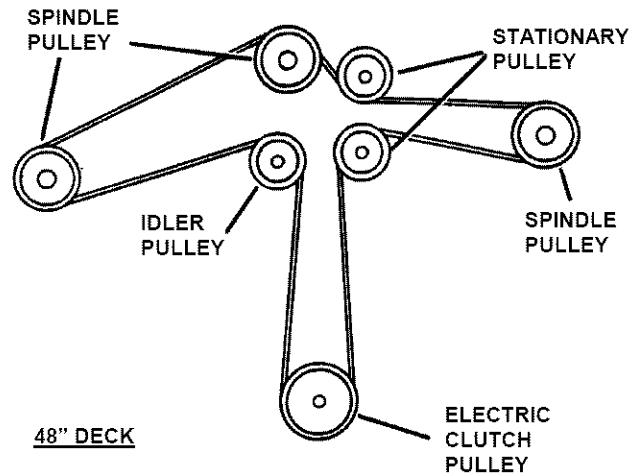
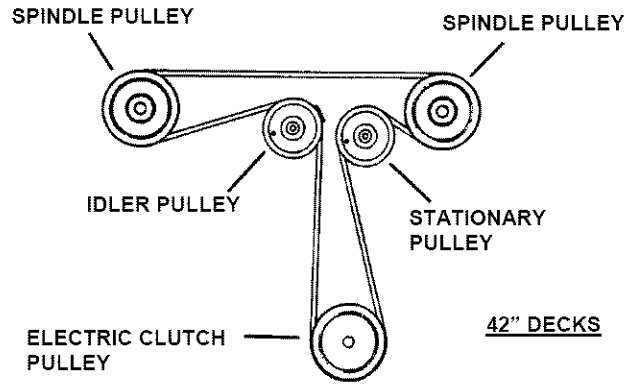


FIGURE 4.1

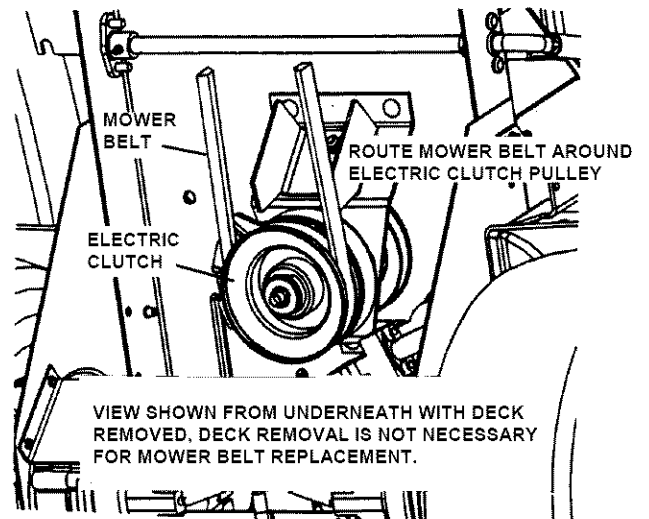


FIGURE 4.2



# Section 4 - ADJUSTMENTS & REPAIR

**WARNING**

DO NOT attempt any adjustments, maintenance or service with the engine or blade running. STOP blade. STOP engine. Set brake. Remove key. Remove spark plug wire from spark plug and secure wire away from spark plug. Engine and components can be extremely hot. Avoid burns by allowing engine and components sufficient time to cool.

### 4.2.4. BELT REPLACEMENT (Continued From Previous Page)

4. Route belt onto spindle pulley. Make sure belt is inside spindle pulley belt guide.
5. Reinstall idler pulley spring. See Figure 4.3. NOTE: The idler belt guide should be positioned so the locator tab fits into the corresponding hole found on the idler arm. See Figure 4.3. Tighten bolt securely.
6. Reinstall footrest/floor pan assembly.

NOTE: FOR PART NUMBERS OF REPLACEMENT BELTS, REFER TO SECTION: "MAINTENANCE/REPLACEMENT PARTS".

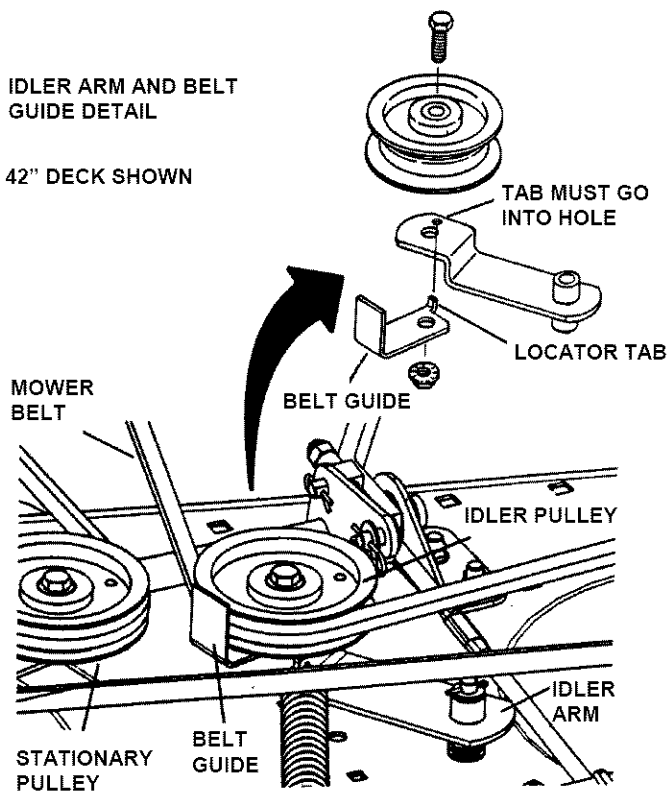


FIGURE 4.3

### 4.2.5. BLADE BRAKE

The blade switch engages the electric clutch when pulled out to the "ON" position. When the blade switch is in the "ON" position the cutting blade(s) are engaged. The blade switch disengages the electric clutch when the blade switch is pushed in to the "OFF" position. When the blade switch is in the "OFF" position the cutting blade(s) are disengaged. The electric clutch is non-adjustable. The blade(s) should stop rotation in 5 seconds or less. If the electric clutch fails to stop the blade(s) rotation in 5 seconds, contact an authorized SNAPPER dealer to repair or replace.

**WARNING**

Blades must stop rotating in 5 seconds or less after blades have been turned off. DO NOT operate machine until blade brake has been repaired and functioning properly. Contact your SNAPPER dealer for assistance.

### 4.2.6. MOWER DECK ADJUSTMENT (LEVELNESS) Side-To-Side (48" Decks)

Before making deck leveling adjustments, check the tire pressure. Add or release air as needed to bring pressure to 12 P.S.I. in front and 12 P.S.I. in rear tires. If tires are properly inflated and mowing is still uneven, adjust side-to-side deck levelness first as follows:

1. Place SCRAMBLER on a smooth level surface.
2. Remove footrest/floor pan assembly.
3. Rotate outside blades so tips are pointed to the sides of deck. See Figure 4.4. Measure the distance from blade tips to floor. If the measurement is within 1/8" from side-to-side, the deck levelness is satisfactory. If the difference from side-to-side is greater than 1/8", continue to Step 4 for adjustment.

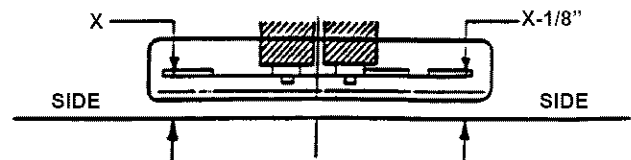


FIGURE 4.4

(Continued On Next Page)

## Section 4 - ADJUSTMENTS & REPAIR

**WARNING**

**DO NOT** attempt any adjustments, maintenance or service with the engine or blade running. **STOP** blade. **STOP** engine. Set brake. Remove key. Remove spark plug wire from spark plug and secure wire away from spark plug. Engine and components can be extremely hot. Avoid burns by allowing engine and components sufficient time to cool.

### 4.2.6. MOWER DECK ADJUSTMENT (LEVELNESS) Side-To-Side (48" Decks) (Continued From Previous Page)

4. Remove hair pin from pivot rod and pull rod out of lift arm.
5. Rotate pivot rod up or down to achieve the proper levelness. See Figure 4.5.
6. Reinstall hair pin into pivot rod.
7. Reinstall footrest/floor pan assembly.

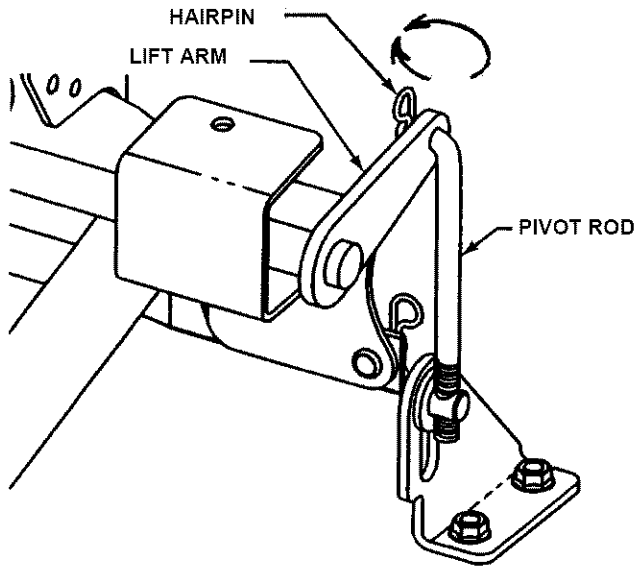


FIGURE 4.5

### 4.2.7. MOWER DECK ADJUSTMENT (LEVELNESS) Front to Rear Deck Pitch (48" Deck)

Before making deck leveling adjustments, check the tire pressure. Add or release air as needed to bring pressure to 12 P.S.I. in front and 12 P.S.I. in rear tires. If tires are properly inflated and mowing is still uneven, check side-to-side deck levelness first then proceed to front to rear deck levelness as follows:

1. Place SCRAMBLER on a smooth level surface.
2. Remove footrest/floor pan assembly.
3. Rotate outside blades so tips are pointed to the front and rear of deck. Measure the distance from blade tips to floor. The distance should be the same, or the rear 1/4" higher than the front. If the rear blade tip is lower or is more than 1/4" higher than the front, proceed to Step 4 for adjustment.
4. Remove the hair pin from pivot rod on one side of deck at a time.
5. Rotate each pivot rod up or down the same number of turns to achieve the proper levelness.
6. Reinstall both hair pins into pivot rods. See Figure 4.5.
7. Reinstall footrest/floor pan assembly.

### 4.2.8. MOWER DECK TIMING ROD - 48" DECKS

The mower deck timing rod is preadjusted at the factory. It is set to maintain the deck in the same attitude through all heights of cut. If the timing rod requires adjustment, contact an authorized SNAPPER dealer for service.

## Section 4 - ADJUSTMENTS & REPAIR

**WARNING**

**DO NOT** attempt any adjustments, maintenance or service with the engine or blade running. **STOP** blade. **STOP** engine. Set brake. Remove key. Remove spark plug wire from spark plug and secure wire away from spark plug. Engine and components can be extremely hot. Avoid burns by allowing engine and components sufficient time to cool.

### 4.2.9. MOWER DECK ADJUSTMENT (LEVELNESS)

#### 1. Side-To-Side (42" Decks)

Before making deck leveling adjustments, check the tire pressure. Check tires and add or release air as needed to bring pressure to 12 P.S.I. in front and 12 P.S.I. in rear tires. If tires are properly inflated and mowing is still uneven, adjust side-to-side deck levelness as follows:

- a. Place SCRAMBLER on a smooth level surface.
- b. Turn engine off and remove key, remove spark plug wire(s) from spark plug(s) and secure wire(s) away from plug(s).
- c. Place a piece of angle iron, pipe, or similar object under center of deck at the rear.
- d. Remove rear hanger chains and allow center, rear of deck to rest on angle iron.
- e. Measure the distance from blade tips to floor. If the measurement is within  $1/8"$  from side-to-side, the deck levelness is satisfactory. If the difference from side-to-side is greater than  $1/8"$ , continue to the Step "f" for adjustment. See Figure 4.6.

#### FRONT OR REAR VIEW OF DECK

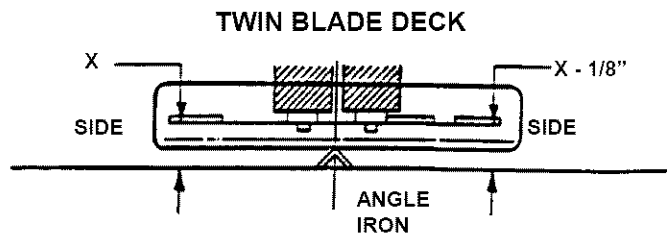


FIGURE 4.6

- f. Loosen the shoulder bolt that retains the eccentric.
- g. Turn eccentric "UP" or "DOWN" as required until blade tips are within  $1/8"$  of the same distance from the floor. See Figure 4.7.
- h. Tighten shoulder bolt loosened in Step "f".
- i. Readjust rear hanger chain pivots to align with holes in support brackets.
- j. Reconnect hanger chains, remove angle iron, pipe, etc. and recheck side to side level. Adjust either chain as needed to result in blade tips being within  $1/8"$  of the same distance from the floor.
- k. Proceed to check front to rear deck pitch.

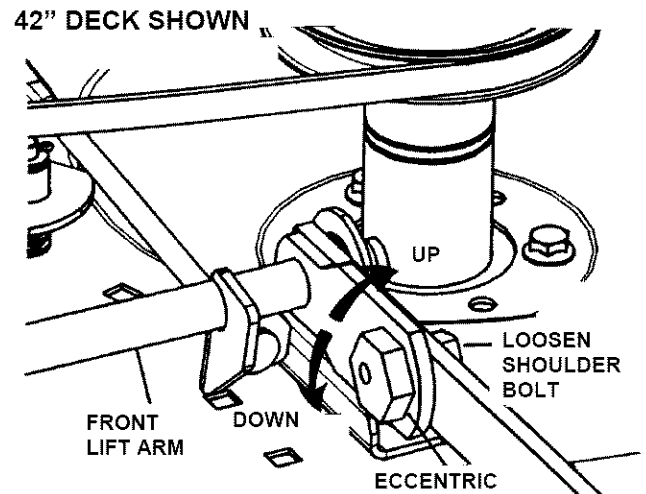


FIGURE 4.7

(Continued On Next Page)

## Section 4 - ADJUSTMENTS & REPAIR

**WARNING**

DO NOT attempt any adjustments, maintenance or service with the engine or blade running. STOP blade. STOP engine. Set brake. Remove key. Remove spark plug wire from spark plug and secure wire away from spark plug. Engine and components can be extremely hot. Avoid burns by allowing engine and components sufficient time to cool.

### 4.2.9. MOWER DECK ADJUSTMENT (LEVELNESS) (Continued From Previous Page)

#### 2. Front to Rear Deck Pitch (42" Decks)

With the SCRAMBLER on a smooth, level surface, rotate blades until blade tips are at front and rear of deck. Measure the distance from blade tips to floor. The distance should be the same, or the rear 1/4" higher than the front. If the rear blade tip is lower or is more than 1/4" higher than the front, proceed with adjustment.

- a. Remove rear hanger chains.
- b. Turn each hanger pivot the same number of rotations on the eye-bolt to raise or lower the rear of the deck. See Figure 4.8.
- c. Reinstall rear hanger chains and measure blade tips again.
- d. Repeat steps "a" through "c" until proper levelness is obtained.

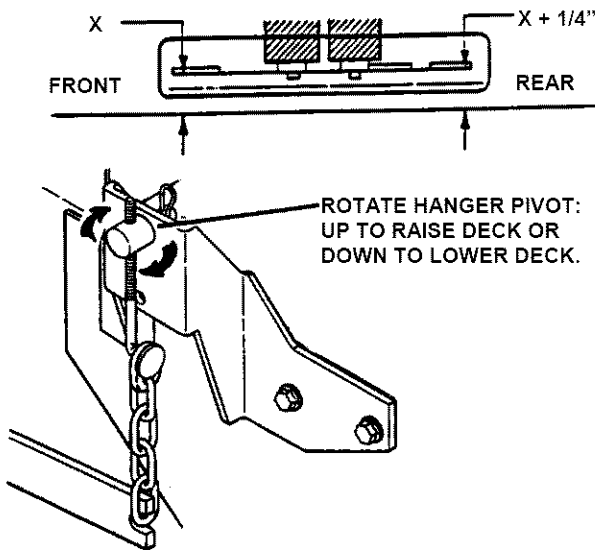


FIGURE 4.8

#### 4.2.10. MOWER DECK TIMING ROD - 42" DECKS

The mower deck timing rod is preadjusted at the factory. It is set to maintain the deck in the same attitude through all heights of cut. If the timing rod requires adjustment, contact an authorized SNAPPER dealer for service. See Figure 4.9.

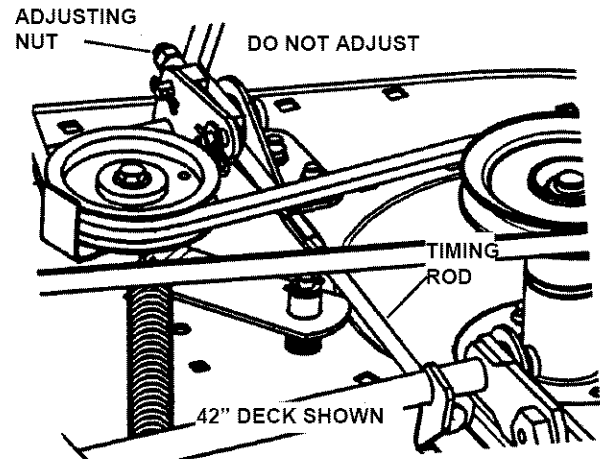


FIGURE 4.9

#### 4.2.11. WHEEL BRAKE ADJUSTMENT

Adjust the wheel brake if wheels turn when parking brake is engaged. Adjust the wheel brake by turning wheel brake adjusting nut clockwise to increase braking action or counter clockwise to decrease braking action. See Figure 4.10.

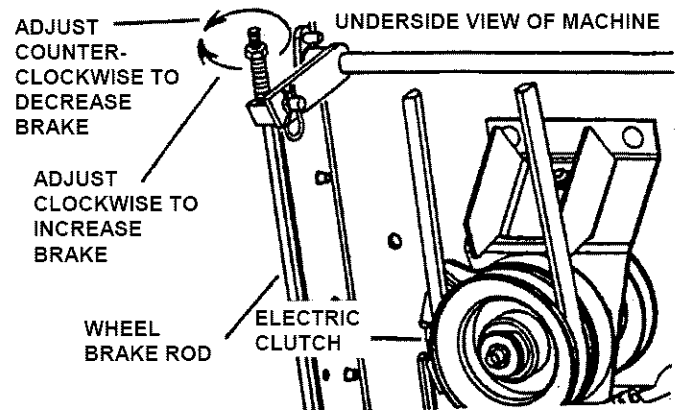


FIGURE 4.10

## Section 4 - ADJUSTMENTS & REPAIR

**WARNING**

DO NOT attempt any adjustments, maintenance or service with the engine or blade running. STOP blade. STOP engine. Set brake. Remove key. Remove spark plug wire from spark plug and secure wire away from spark plug. Engine and components can be extremely hot. Avoid burns by allowing engine and components sufficient time to cool. Wear heavy leather gloves when handling or working around cutting blades. Blades are extremely sharp and can cause severe injury.

### 4.3 MOWER BLADE REPLACEMENT

#### 4.3.1. BLADE WEAR LIMITS

1. Inspect blade frequently for signs of excessive wear or damage. See Figure 4.11.

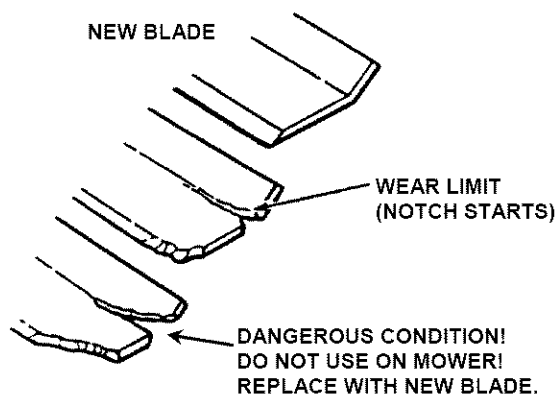


FIGURE 4.11

#### 4.3.2. BLADE SHARPENING

1. Close vent on fuel cap and make sure cap is tight. Close fuel valve in fuel line. Start engine and allow it to run until engine runs out of fuel.
2. Remove key from ignition switch.
3. Remove spark plug wire(s) and secure away from spark plug(s).
4. Carefully stand SCRAMBLER on rear bumper.
5. Remove blade(s). See Figure 4.12.
6. Inspect condition of blade. See Figure 4.11.
7. If blade is in good condition, sharpen at 22 to 28 degrees. DO NOT sharpen beyond existing cutting edge. See Figure 4.13.
8. Check blade balance after sharpening. If necessary, correct blade balance by grinding the heavy end of blade.
9. Reinstall blade. See Figure 4.12. Torque blade mounting bolts to recommended range of:  
42" Deck - 30 to 40 ft. lbs.  
48" Deck - 80 to 90 ft. lbs.

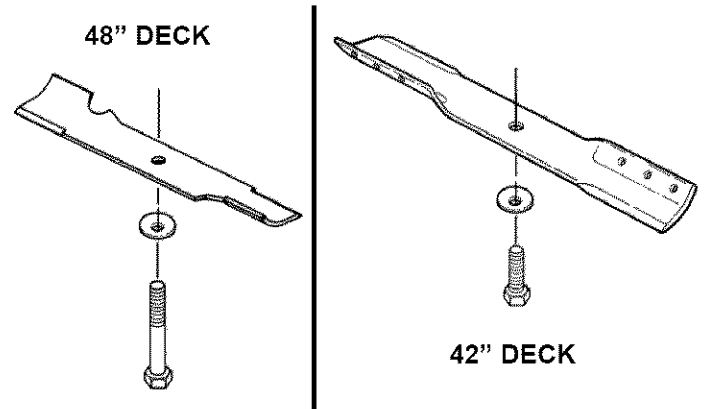


FIGURE 4.12

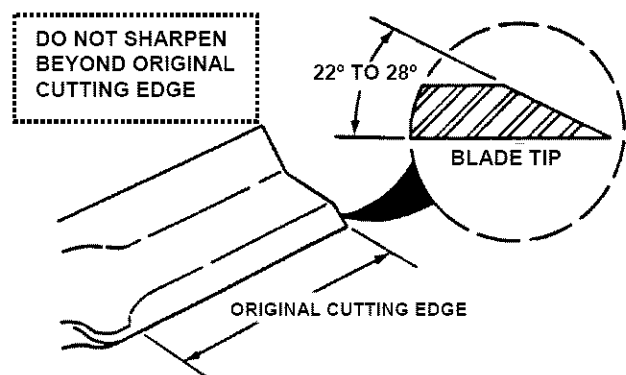


FIGURE 4.13

**WARNING**

DO NOT use a cutting blade that shows signs of excessive wear or damage. Wear heavy leather gloves when handling or working around cutting blades. Blades are extremely sharp and can cause severe injury.

#### 4.3.3. BLADE REPLACEMENT

1. Remove blade(s). See Figure 4.12. Replace blade(s) if it shows signs of excessive wear or damage.

**NOTE:** For all cutting blade replacement part numbers refer to Section: "MAINTENANCE /REPLACEMENT PARTS".

## Section 4 - ADJUSTMENTS & REPAIR

**WARNING**

DO NOT attempt any adjustments, maintenance or service with the engine or blade running. STOP blade. STOP engine. Set brake. Remove key. Remove spark plug wire from spark plug and secure wire away from spark plug. Engine and components can be extremely hot. Avoid burns by allowing engine and components sufficient time to cool. Never attempt to service or charge the battery while it is installed on the SCRAMBLER. Shield the positive terminal with terminal cover located on battery harness. This prevents metal from touching the positive terminal, which could cause sparks. Cables must be connected to battery terminals in the proper position as shown. If battery is removed, DO NOT operate engine without insulating Positive + battery cable terminal with electrical tape, or sparking from the battery cables can result.

### 4.4 BATTERY

#### 4.4.1. BATTERY REMOVAL

1. Tilt seat up to gain access to battery.
2. Observe and note cable positions on battery. See Figure 4.14.
3. Disconnect cables from battery terminals, disconnecting BLACK (Negative) cable first. Disconnect RED (Positive) battery cable. Slide battery from battery cradle.
4. Retain mounting bolts and nuts for future use.

#### 4.4.2. BATTERY INSTALLATION

1. Slide battery into battery cradle.
2. Connect cables to battery terminals. Connect RED (Positive) cable first. Connect BLACK (Negative) cable. See Figure 4.14.
3. Place the positive (+) terminal insulator over positive terminal and cable. See Figure 4.15.

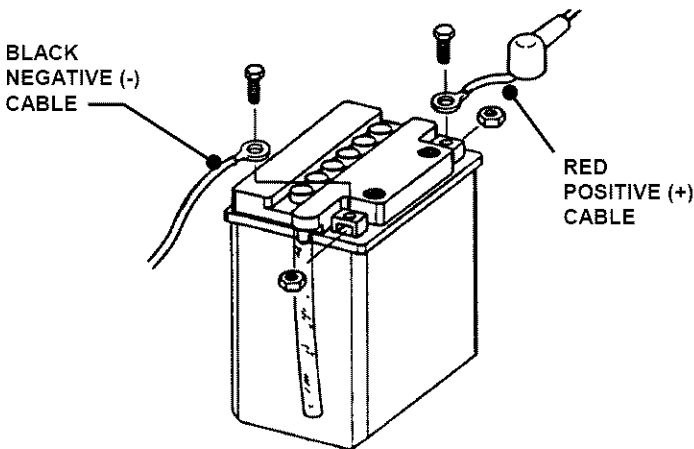


FIGURE 4.14

**WARNING**

The electrolyte (acid) produces a highly explosive gas. Keep all sparks, flame and fire away from area when charging battery or when handling electrolyte or battery. Electrolyte (acid) is a highly corrosive liquid. Wear eye protection. Wash affected areas immediately after having eye or skin contact with electrolyte (acid). Battery acid is corrosive. Rinse empty acid containers with water and mutilate before discarding. If acid is spilled on battery, bench, or clothing, etc., Flush with clear water and neutralize with baking soda. DO NOT attempt to charge battery while installed on the SCRAMBLER. DO NOT use "BOOST" chargers on the battery.

#### 4.4.3. BATTERY SERVICE

1. Remove battery. See Section on Battery Removal
2. Place battery in a well ventilated area on a level surface.
3. Using distilled water, refill cells as required to cover cell plates. Fluid level in battery can be seen through the cell case.
4. With cell caps removed, connect battery charger to battery terminals. Red to positive (+) terminal and black to negative (-) terminal.
5. Slow charge battery at 1 amp for 10 hours.
6. If battery will not accept charge or is partially charged after 10 hours of charging at 1 amp, replace with new battery.

#### 4.4.4. BATTERY STORAGE

If SCRAMBLER is to be stored out of season on its rear bumper, it is recommended the battery be removed, charged and stored.

1. Remove battery. (Refer to Section "BATTERY REMOVAL").
2. Perform battery service.
3. Bring battery to full charge, if required.
4. Store battery in an area away from the SCRAMBLER on a wood surface. DO NOT STORE BATTERY ON A CONCRETE SURFACE.

#### 4.4.5. NEW BATTERY PREPARATION

1. Remove battery from carton.
2. Place battery in a well ventilated area on a level non-concrete surface.
3. Remove battery cell caps. Fill cells as required with electrolyte (purchased separately) to proper level. Filling battery with electrolyte will bring the battery to 80% charged state.
4. With cell caps removed, connect battery charger to battery terminals; RED to positive (+) and BLACK to negative (-) terminal.

## Section 4 - ADJUSTMENTS & REPAIR

**WARNING**

The electrolyte (acid) produces a highly explosive gas. Keep all sparks, flame and fire away from area when charging battery or when handling electrolyte or battery. Electrolyte (acid) is a highly corrosive liquid. Wear eye protection. Wash affected areas immediately after having eye or skin contact with electrolyte (acid). Battery acid is corrosive. Rinse empty acid containers with water and mutilate before discarding. If acid is spilled on battery, bench, or clothing, etc., Flush with clear water and neutralize with baking soda. **DO NOT attempt to charge battery while installed on the SCRAMBLER. DO NOT use "BOOST" chargers on the battery.**

**IMPORTANT:** DO NOT place anything in new battery other than specified electrolyte.

**WARNING**

**DO NOT OVERFILL! DO NOT attempt to charge battery while installed on the SCRAMBLER. DO NOT use "BOOST" chargers on the battery.**

5. Slow charge the battery at 1 amp for 2 hours to bring the battery to full charge.
6. After charging, check level of electrolyte and add as needed to bring to proper level.
7. Reinstall cell caps.
8. Install battery into power unit. Connect over flow tube.
9. Connect positive (+) cable (red) first, from wiring harness to the positive terminal (+) on battery using bolt and nut provided in hardware bag. Connect negative (-) cable (black) last, to negative terminal (-) on battery using bolt and nut. Apply a small amount of grease over terminals to prevent corrosion.

**WARNING**

Shield the positive terminal with terminal cover located on battery harness. This prevents metal from touching the positive terminal, which could cause sparks.

### 4.4.6. BATTERY TESTING

There are two types of battery tests: Unloaded and Loaded. The unloaded test is the procedure that will be discussed. It's the simplest and most commonly used. An unloaded test is made on a battery without discharging current. To perform unloaded testing, check charge condition using either a hydrometer or voltmeter.

1. Using a voltmeter, voltage readings appear instantly to show the state of charge. Remember to hook the positive lead to the battery's positive terminal, and the negative lead to the negative terminal.
2. A hydrometer measures the specific gravity of each cell. The specific gravity tells the degree of charge; generally, a specific gravity of about 1.265 to 1.280 indicates full charge. A reading of 1.230 to 1.260 indicates the battery should be charged. The Battery Condition chart below shows the charge level as measured by syringe float hydrometer, digital voltmeter and five ball hydrometer.

Battery Condition Chart			
State of Charge	Syringe Hydrometer	Digital Voltmeter	Five Ball Hydrometer
100% Charged w/ Sulfate Stop	1.280	12.80v	Five Balls Floating
100% Charged	1.265	12.60v	Four Balls Floating
75% Charged	1.210	12.40v	Three Balls Floating
50% Charged	1.160	12.10v	Two Balls Floating
25% Charged	1.120	11.90v	One Ball Floating
0% Charged	Less than 1.100	Less than 11.80v	Zero Balls Floating

# TROUBLESHOOTING

PROBLEM	PROBABLE CAUSE	CORRECTIVE ACTION
<b>Starter Will Not Crank Engine</b>	1. Battery dead.	1. Service battery.
	2. Blown fuse.	2. Replace fuse.
	3. Electrical connections loose or corroded.	3. Clean and check connections for good contact.
	4. Defective ignition switch.	4. Contact authorized <b>SNAPPER</b> dealer.
	5. Blade engagement switch in the "ON" position.	5. Move blade engagement switch to "OFF".
	6. Park brake not engaged.	6. Engage park brake.
	7. Faulty parking brake, blade or ignition switch.	7. Contact authorized <b>SNAPPER</b> dealer.
	8. Faulty engine starter.	8. Replace engine starter.
	9. Faulty starter solenoid.	9. Replace starter solenoid.
<b>Engine Will Crank But Not Start</b>	1. Fuel tank empty.	1. Fill fuel tank with fresh fuel.
	2. Engine needs choking.	2. Move choke control to "CHOKE" position.
	3. Spark plug wire disconnected.	3. Place spark plug wire onto spark plug.
	4. Battery weak or dead.	4. Service battery.
	5. Faulty parking brake, blade or ignition switch.	5. Contact authorized <b>SNAPPER</b> dealer.
<b>Engine Will Not Start Using Recoil Starter</b>	1. Blade engagement switch in the "ON" position.	1. Move blade engagement switch to "OFF".
	2. Park brake not engaged.	2. Engage park brake.
	3. Fuel tank empty.	3. Fill fuel tank with fresh fuel.
	4. Engine needs choking.	4. Move choke control to "CHOKE" position.
	5. Blown Fuse.	5. Replace with new 20 AMP fuse.
	6. Faulty relay switch.	6. Contact authorized <b>SNAPPER</b> dealer.
	7. Faulty parking brake or blade switch.	7. Contact authorized <b>SNAPPER</b> dealer.
<b>Engine Stalls After Running</b>	1. Operator not in seat.	1. Sit in operator's seat.
	2. Choke control in the "CHOKE" position.	2. Move choke control to "OFF" position.
	3. Fuel tank empty.	3. Fill with fuel to proper level.
	4. Engine air pre-cleaner and or air cleaner dirty.	4. Clean free of all debris.
	5. Spark plug defective or gap set improperly.	5. Service spark plug.
	6. Fuel filter stopped up.	6. Replace fuel filter.
	7. Water, debris or stale fuel in fuel system.	7. Drain and clean fuel system.
<b>Engine Loses Power</b>	1. Excessive load on engine.	1. Lessen load.
	2. Engine air pre-cleaner or air cleaner dirty.	2. Clean or replace filters.
	3. Spark plug faulty.	3. Service spark plug.
	4. Water, debris or stale fuel in fuel system.	4. Drain and clean fuel system.
	5. Debris build up on engine cooling screen.	5. Clean all debris from engine cooling screen.
<b>Engine Backfires When Turned To "STOP"</b>	1. Throttle control set too "FAST".	1. Set throttle control to "SLOW" and allow engine to idle. Then, turn key to "OFF".
<b>Excessive Vibration</b>	1. Damaged, out of balance or bent mower blades.	1. Service mower blade(s).
	2. Loose blade components.	2. Service and tighten loose parts.
	3. Loose or missing airlift (if equipped).	3. Replace air lifts. Tighten to proper torque.
	4. Lumpy or frayed belt.	4. Replace belt.
	5. Bent idler, stationary or spindle pulley.	5. Replace pulley.

(Trouble Shooting Continued on Next Page)



# TROUBLESHOOTING

PROBLEM	PROBABLE CAUSE	CORRECTIVE ACTION
<b>Rider Will Not Move Or Loss Of Traction</b>	1. Joystick in the neutral "N" position.	1. Place joystick in desired speed position.
	2. Roll release lever is in "ROLL" position.	2. Move roll release lever to the engaged position.
	3. Low transmission hydraulic oil level.	3. Contact authorized <b>SNAPPER</b> dealer.
	4. Parking Brake engaged.	4. Move parking brake to disengaged position.
	5. Traction drive belt requires replacement.	5. Replace traction drive belt.
<b>Blade(s) Not Cutting</b>	1. Blade engagement switch in the "OFF" position.	1. Move blade switch to the "ON" position.
	2. Clutch belt slipping.	2. Replace clutch belt.
	3. Mower belt slipping.	3. Replace mower belt.
	4. Electric clutch not functioning.	4. Contact authorized <b>SNAPPER</b> dealer.
<b>Cutting Grass Improperly</b>	1. Uneven tire pressure.	1. Bring to proper pressure.
	2. Cutting height too low or high.	2. Adjust cutting height.
	3. Engine speed too slow.	3. Move engine speed control to "FAST" position.
	4. Forward speed too fast.	4. Move joystick to a slower speed.
	5. Terraced cut, side to side.	5. Adjust side to side level.
	6. Excessive deck pitch, front to rear.	6. Adjust front to rear pitch.
	7. Cutting blade(s) dull or damaged.	7. Sharpen cutting edges or replace blade(s).
	8. Blade belt slipping.	8. Replace blade belt.
	9. Check electric clutch.	9. Adjust to proper specifications. (33" Deck Only)
	10. Check clutch belt.	10. Replace clutch belt.
<b>Poor Grass Discharge</b>	1. Engine speed too slow.	1. Move engine speed control to "FAST" position.
	2. Forward speed too fast.	2. Move joystick to a slower speed.
	3. Grass is wet.	3. Mow when grass is dry.
	4. Excessively worn or damaged blade(s).	4. Service mower blade(s).
	5. Build up of grass clippings and debris under deck.	5. Clean deck.
	6. Improper blade(s) installed on deck.	6. Install proper <b>SNAPPER</b> blades.
	7. Blade(s) installed improperly on deck.	7. Install blades properly.
<b>Battery Will Not Charge</b>	1. Poor cable connections.	1. Clean cables and battery terminals.
	2. Bad battery cell(s).	2. Replace with new battery.
	3. Faulty alternator.	3. Contact engine manufacturer's dealer.
<b>Oil Leaking</b>	1. Leaking hose fittings, clamps or reservoir.	1. Verify fittings and hose clamps are tight.

## 4.6. MAINTENANCE/REPLACEMENT PARTS

MAINTENANCE/REPLACEMENT PARTS	
<b>42" Cutter Deck Blade (2 Blades Required)</b>	<b>2-6691</b>
<b>48" Cutter Deck Blade (3 Blades Required)</b>	<b>7-5588</b>
<b>42" Cutter Deck Belt (Electric Clutch to Cutting Deck)</b>	<b>7-5235</b>
<b>48" Cutter Deck Belt (Electric Clutch to Cutting Deck)</b>	<b>7-5092</b>
<b>Wheel Drive Belt (Engine to Hydro Transaxle)</b>	<b>4-1823</b>
<b>Mower Drive Belt (Engine to Electric Clutch)</b>	<b>2-9117</b>
<b>Mower Drive Belt (Engine to Electric Clutch) (48" Deck Only)</b>	<b>4-6997</b>
<b>Parts Manual for SCRAMBLER Series 5</b>	<b>06176</b>

# SERVICE SCHEDULE

ITEM	SERVICE PERFORMED	REF.	EACH USE	5 HRS	25 HRS	50 HRS	100 HRS	EACH SEASON
<b>Engine Oil</b>	Check Oil Level	Page 7	X					
	Initial Oil Change	Page 11		X				
	Periodic Oil Change	Page 12			X*			
<b>Oil Filter</b>	Initial Oil Change	Engine Manual & Page 11		X				
	Periodic Oil Change	Engine Manual & Page 12			X*			
<b>Air Pre-Cleaner</b>	Clean Sponge Element	Engine Manual			X**			
<b>Air Cleaner</b>	Clean or Replace	Engine Manual			X**			
<b>Spark Plug</b>	Replace	Engine Manual					X	
<b>Fuel Filter</b>	Replace	Engine Manual					X	
<b>Engine Cooling System</b>	Clean Shroud & Fins	Engine Manual & Page 12					X**	
<b>Battery</b>	Check Electrolyte	Page 21			X			X
	Charge Battery	Page 21						X
	Testing Battery	Page 22						X
<b>Tires</b>	Check Pressures	Page 7	X					X
<b>Drive Belts</b>	Check For Wear And Tension	Page 16-17			X	X		X
<b>Mower Blades</b>	Check For Wear, Damage & Replacement	Page 20	X					
<b>Mower Deck</b>	Clean Debris Accumulation	Page 12	X					
<b>Mower Deck</b>	Clean Outside and Underside	Page 12	X					
<b>Lubrication Points</b>	Grease or Oil	Pages 13-14			X			X

\* Change oil every 25 hours when operating under heavy load or high temperatures.

\*\*Clean more often under dusty conditions or when air debris is present

# **SNAPPER®**

## **2 YEAR LIMITED WARRANTY**

For two (2) years from purchase date for the original purchaser's residential, non-commercial use, **SNAPPER**, through any authorized **SNAPPER** dealer will replace, free of charge (except for taxes where applicable), any part or parts found upon examination by the factory at McDonough, Georgia, to be defective in material or workmanship or both.

For ninety (90) days from purchase date for the original purchaser's commercial, rental, or other non-residential use, **SNAPPER**, through any authorized **SNAPPER** dealer will replace, free of charge, any part or parts found upon examination by the factory at McDonough, Georgia, to be defective in material or workmanship or both.

All transportation costs incurred by the purchaser in submitting material to an authorized **SNAPPER** dealer for replacement under this warranty must be paid by the purchaser.

This warranty does not apply to certain transmissions, to engines and their components, and batteries, as these items are warranted separately. This warranty does not apply to parts that have been damaged by accident, alteration, abuse, improper lubrication, normal wear, or other cause beyond the control of **SNAPPER**. This warranty does not cover any machine or component part that has been altered or modified changing safety, performance, or durability.

Batteries have a one (1) year warranty period with free replacement if required for one (1) year from the original purchase date. **SNAPPER** will not be responsible for any installation cost incurred. The battery warranty only covers original equipment batteries and does not cover damage to the battery or machine caused by neglect or abuse, destruction by fire, explosion, freezing, overcharging, improper maintenance, or use of improper electrolyte.

There is no other express warranty.

### **DISCLAIMER OF WARRANTY**

Implied warranties, including those of merchantability and fitness for a particular purpose, are limited to two (2) years from purchase date for the original purchaser's residential or other non-commercial use, and ninety (90) days from purchase for the original purchaser's commercial, rental or other non-residential use, and to the extent permitted by law, any and all implied warranties are excluded. This is the exclusive remedy. Liabilities for consequential damages, under any and all warranties are excluded.

Some states do not allow limitations on how long an implied warranty lasts, or do not allow the exclusion or limitation of incidental or consequential damages, so the above limitation or exclusion may not apply to you.

This warranty gives you specific legal rights, and you may also have other rights which vary from state to state.

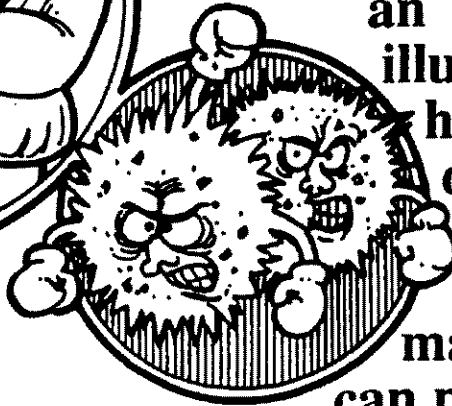
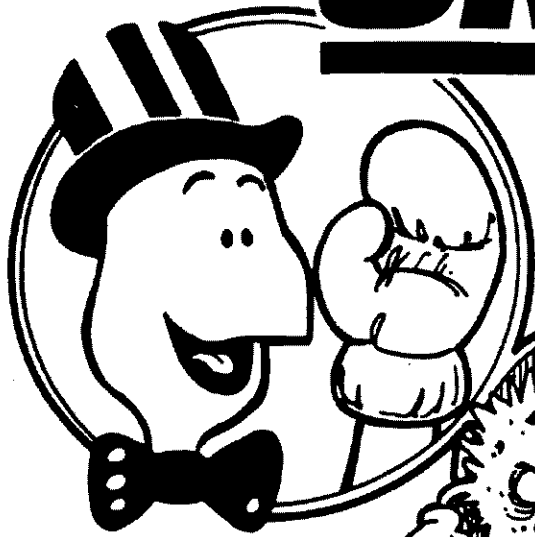
**WARNING: THE USE OF REPLACEMENT PARTS OTHER THAN GENUINE SNAPPER PARTS MAY IMPAIR THE SAFETY OF SNAPPER PRODUCTS AND WILL VOID ANY LIABILITY AND WARRANTY BY SNAPPER ASSOCIATED WITH THE USE OF SUCH PARTS.**

**IMPORTANT:** Please fill out the attached **SNAPPER** Product Registration Card immediately and mail to:  
**Snapper's Product Registration Center, P.O. Box 1379, McDonough, Georgia 30253**

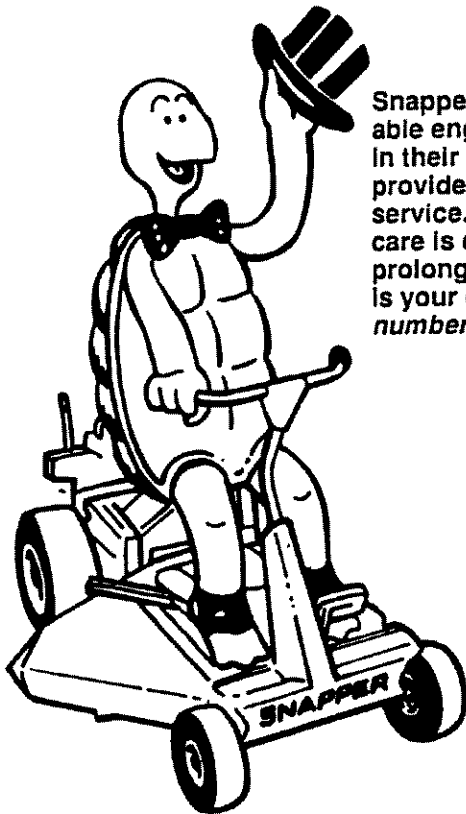
PRIMARY MAINTENANCE

# SNAPPER®

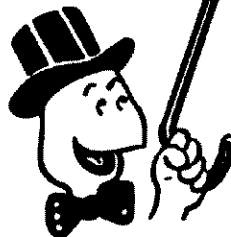
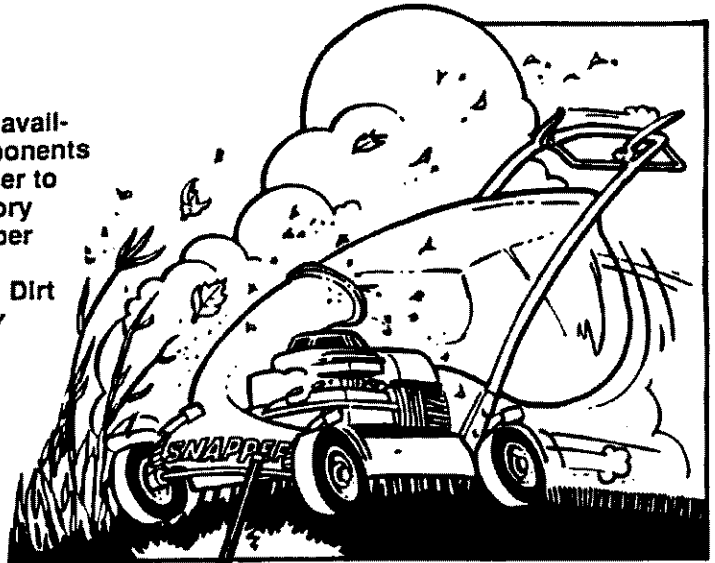
## VS. DIRT!



an illustration of how dirt can damage your engine & how reasonable maintenance can protect it!

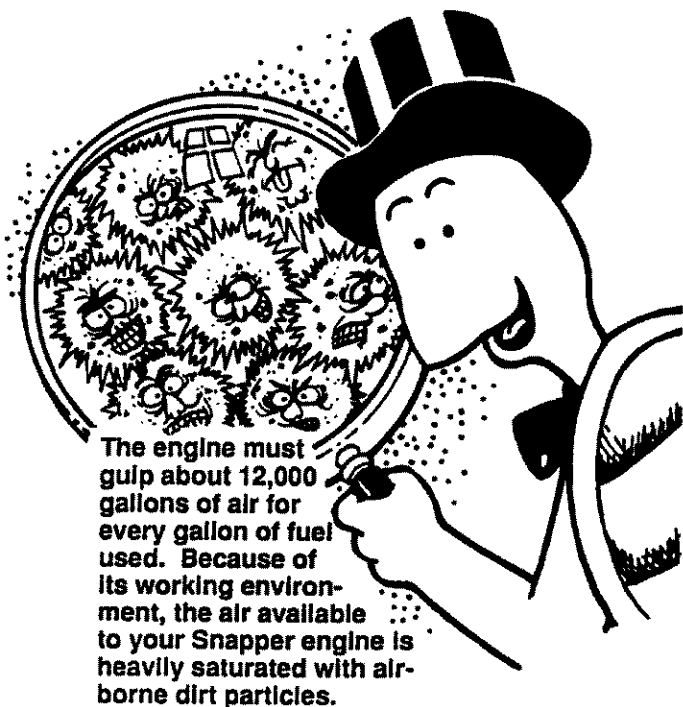


Snapper uses the best available engines and components in their products in order to provide long, satisfactory service. However, proper care is essential in prolonging engine life. Dirt is your engine's *enemy number 1!*

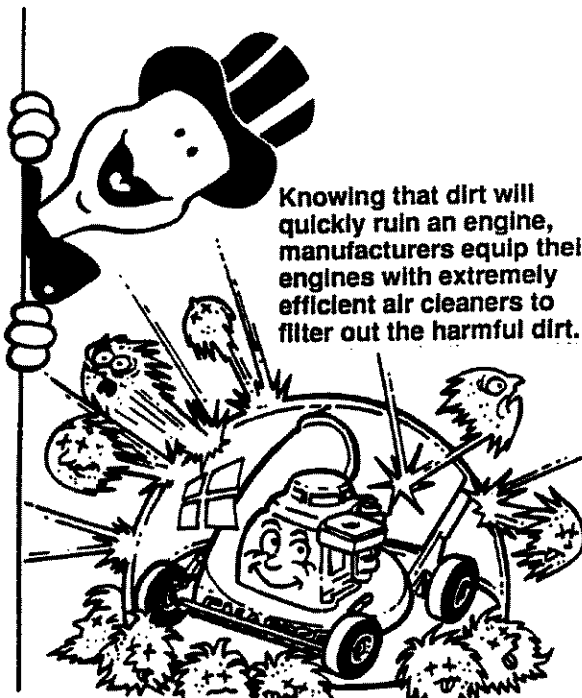


The engine on your Snapper product spends its entire life operating close to the ground at high speed creating a virtual storm of dust and dirt!

# PRIMARY MAINTENANCE



The engine must gulp about 12,000 gallons of air for every gallon of fuel used. Because of its working environment, the air available to your Snapper engine is heavily saturated with airborne dirt particles.



Knowing that dirt will quickly ruin an engine, manufacturers equip their engines with extremely efficient air cleaners to filter out the harmful dirt.

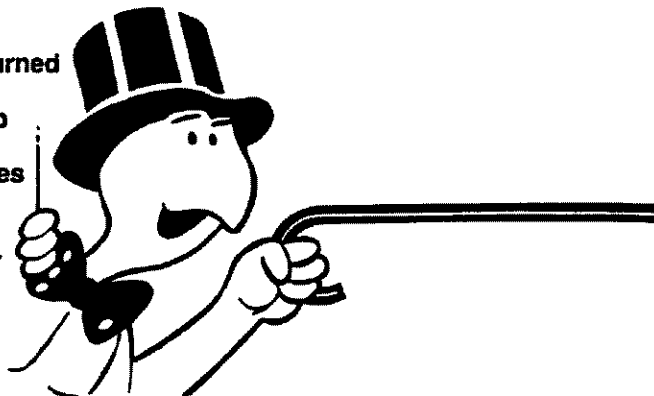
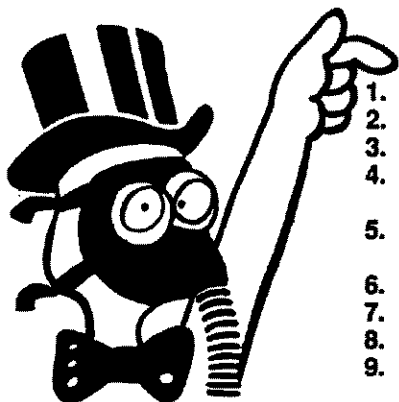
As the dirt particles are stopped, they build up and begin to clog the outside of the filter. This reduces the amount of air available to the engine and causes an over-rich fuel mixture which results in the following adverse effects:

An improperly serviced, dirt clogged air cleaner will:

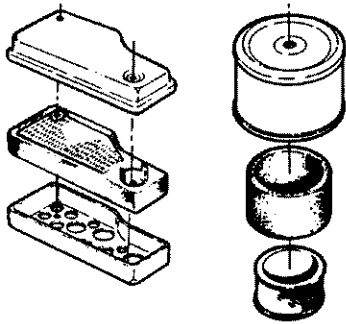
1. Increase fuel consumption
2. cause power loss
3. result in hard starting
4. create smoke from unburned fuel
5. produce carbon build-up internally
6. foul spark plug electrodes
7. score cylinder walls
8. burn valves
9. wear out the engine prematurely
10. COST YOU MONEY!

Damage caused by a poorly serviced air cleaner is not covered under the engine warranties. So, save yourself unnecessary expenses and undue aggravation by keeping the air cleaner properly serviced at the intervals specified in the engine owner's manual.

It doesn't take long to service an air cleaner. Follow the specific instructions in the engine owner's manual for the type filter used. Prevent dirt from falling into the carburetor intake when servicing your air cleaner. Make sure components are installed in correct sequence after servicing to prevent unfiltered air from entering the engine. Some servicing hints on several common types are:



# PRIMARY MAINTENANCE



Generally, wash foam-type filters in a dishwashing detergent and water solution. Rinse and wring dry, then saturate with oil and squeeze out excess. *Failure to re-oil this type filter will ruin the engine.*

Clean paper elements by tapping lightly. Blowing with air will rupture paper elements.

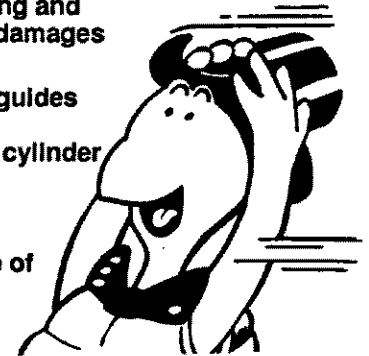
Use a flashlight to detect clogged or torn paper elements - replace if damaged in any way.



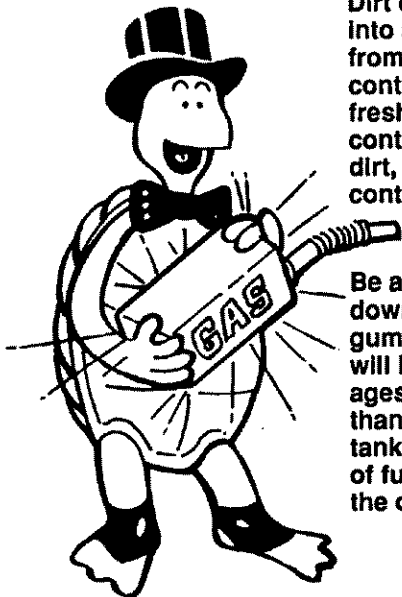
Air is also needed to keep your engine cool. Dirt, dust & debris build up to restrict and clog cooling air intake screens and fins. Clean screens and fins at frequent intervals. The engine blower housing and shrouds should be removed at least once each season or more often under dry, dusty conditions for a thorough cleaning of fins.

Failure to keep external surfaces clean not only presents fire hazards, but causes overheating and resulting engine damages such as:

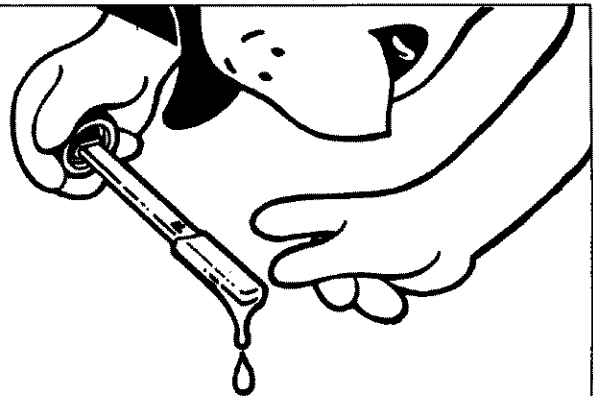
1. distorted valve guides
2. sticking valves
3. scuffed, scored cylinder walls
4. overspeeding
5. loss of power
6. complete failure of engine.



Dirt can also be introduced into an engine in dirty fuel from a contaminated container. Always use clean fresh fuel from a clean container to guard against dirt, sludge and water contamination.



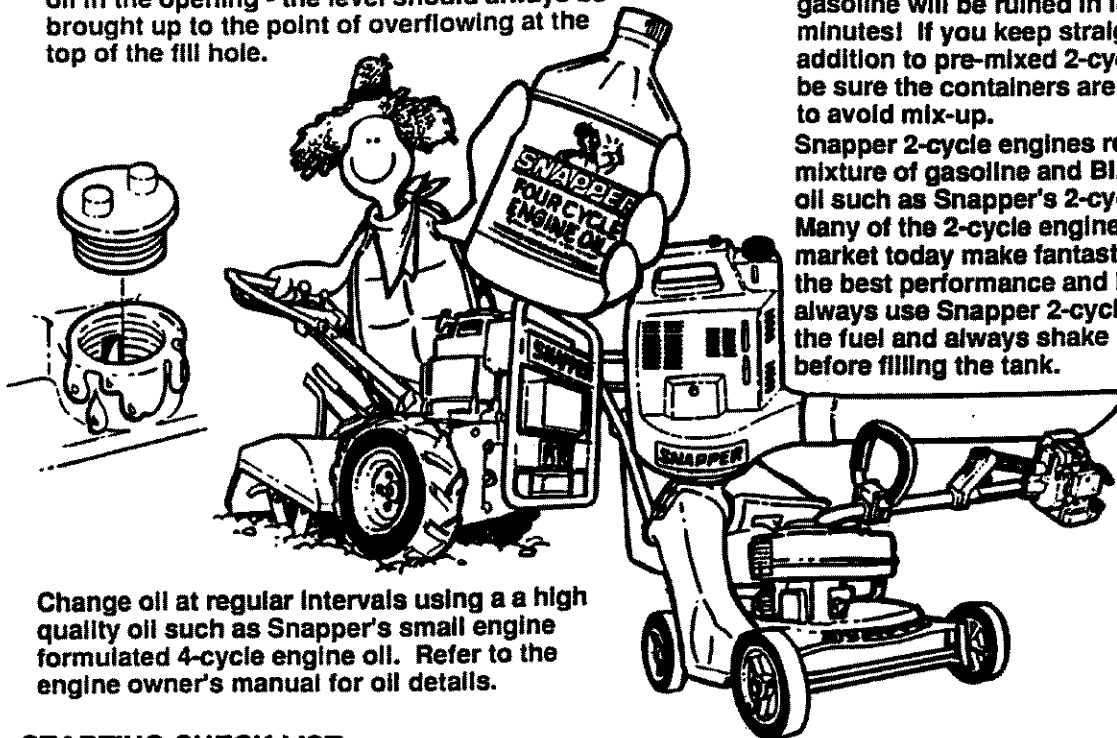
Be aware that fuel breaks down in storage and forms gummy compounds which will block carburetor passages. Never use fuel more than 3 months old. Drain tank then run the engine out of fuel before storing during the off-season.



An engine must also have proper lubrication. All engines use some oil. On 4-cycle engines, **CHECK OIL LEVEL BEFORE EACH START-UP.** Wipe area clean around the oil check plug or dipstick opening to keep dirt from falling into the engine when checking the oil. Always check with the machine on a level surface. On engines with dipstick, keep the level up to, but not over, the FULL mark. When adding oil, allow time for all of the oil to flow down the fill tube to prevent a false full reading when the level could actually be low and result in engine damage.

# PRIMARY MAINTENANCE

On 4-cycle engines with an oil level plug, don't be fooled into thinking the engine has sufficient lubricating oil if you can see "some" oil in the opening - the level should always be brought up to the point of overflowing at the top of the fill hole.



On 2-cycle engines, lubrication must be provided by an exact mixture of gasoline and 2-cycle air-cooled engine oil. A 2-cycle engine that is mistakenly run on straight gasoline will be ruined in less than 5 minutes! If you keep straight gasoline in addition to pre-mixed 2-cycle engine fuel, be sure the containers are clearly marked to avoid mix-up.

Snapper 2-cycle engines require a 32 to 1 mixture of gasoline and BIA certified TC-W oil such as Snapper's 2-cycle engine oil. Many of the 2-cycle engine oils on the market today make fantastic claims, but for the best performance and long engine life, always use Snapper 2-cycle oil. Pre-mix the fuel and always shake the container before filling the tank.

Change oil at regular intervals using a high quality oil such as Snapper's small engine formulated 4-cycle engine oil. Refer to the engine owner's manual for oil details.

## STARTING CHECK LIST

- |                              |  |
|------------------------------|--|
| 1. Engine Oil                | <ul style="list-style-type: none"> <li>• To full level (4-cycle)</li> <li>• Properly mixed with gas (2 cycle)</li> </ul>             |
| 2. Air Cleaner               | <ul style="list-style-type: none"> <li>• Clean and properly serviced</li> <li>• Full fresh clean gasoline</li> </ul>                 |
| 3. Fuel Tank                 | <ul style="list-style-type: none"> <li>• Fuel valve open</li> <li>• Cap vent open</li> <li>• Inline filter clean</li> </ul>          |
| 4. Choke                     | <ul style="list-style-type: none"> <li>• Operating properly</li> </ul>   |
| 5. Primer (on some engines)  | <ul style="list-style-type: none"> <li>• Used properly</li> </ul>  |
| 6. Safety Interlock Switches | <ul style="list-style-type: none"> <li>• In proper position</li> <li>• All wires properly connected</li> </ul>                       |
| 7. Switch & Blade Control    | <ul style="list-style-type: none"> <li>• Switch On</li> <li>• Blade control properly positioned on walk mower</li> </ul>             |
| 8. Spark plug                | <ul style="list-style-type: none"> <li>• Wire connected</li> <li>• Good connection</li> <li>• Start position</li> </ul>              |
| 9. Throttle control          |  |
| 10. Blade                    | <ul style="list-style-type: none"> <li>• Properly installed and torqued</li> <li>• Sharpened</li> </ul>                              |
| 11. Muffler                  | <ul style="list-style-type: none"> <li>• Good condition</li> <li>• Not clogged</li> <li>• Grass &amp; leaves cleaned away</li> </ul> |

Read and follow all safety instructions in safety booklets and manuals.

Keep in mind that dirt is your engine's *enemy #1* both internally and externally! Internally, dirt will quickly ruin an engine and externally it will cause overheating and resulting internal damages. Damage caused by improper lubrication, poor air cleaner service or overheating due to dirt cannot be covered under warranty.

It only takes a few moments to service the engine (and equipment) on a routine basis but the rewards will be a quick starting, responsive engine that will provide long satisfactory service with minimum maintenance cost. The prestart checklist in the next column and instructions in your Snapper Operator's Manual are designated to help you keep your Snapper in top operating condition with minimum effort!

# SNAPPER PRODUCT REGISTRATION FORM

**IMPORTANT: KEEP THIS INFORMATION FOR YOUR PERSONAL RECORDS**  
(Complete the following information on your Snapper purchase)

Model Number \_\_\_\_\_

Serial Number \_\_\_\_\_

Date of Purchase \_\_\_\_\_

Retailer \_\_\_\_\_

Retailer's Phone Number \_\_\_\_\_

It is very important that you register your purchase with Snapper to ensure warranty coverage. Please mail your product registration card to:

Snapper at P.O. Box 777, McDonough, Georgia 30253.

Or you may register on line at [www.snapper.com](http://www.snapper.com).

You can contact us at our web site or if you would like to speak with a Customer Service Representative. Call us at the Snapper Customer Relations Center. For faster service please have your Serial Number and Model Number available.

**Call the Snapper Customer Relations Center at 1-800-935-2967.**

**Eastern Standard Time**

**Monday through Friday from 8am to 6pm.**

**Saturday from 9am to 1pm.**



## Safety Instructions & Operator's Manual for

# **SNAPPER**<sup>®</sup>

## **SCRAMBLER HYDRO DRIVE SERIES 5**

### **IMPORTANT**

Snapper products are built using engines that meet or exceed all applicable emissions requirements on the date manufactured. The labels on those engines contain very important emissions information and critical safety warnings. Read, Understand, and Follow all warnings and instructions in this manual, the engine manual, and on the machine, engine and attachments. If you have any questions about your Snapper product, contact your local authorized Snapper dealer or contact Snapper Customer Service at Snapper, McDonough, GA. 30253. Phone: (1-800-935-2967).



### **WARNING**

BATTERY POSTS, TERMINALS AND RELATED ACCESSORIES CONTAIN LEAD AND LEAD COMPOUNDS, CHEMICALS KNOWN TO THE STATE OF CALIFORNIA TO CAUSE CANCER AND BIRTH DEFECTS OR OTHER REPRODUCTIVE HARM. WASH HANDS AFTER HANDLING.



### **WARNING**

ENGINE EXHAUST, SOME OF ITS CONSTITUENTS, AND CERTAIN VEHICLE COMPONENTS CONTAIN OR EMIT CHEMICALS KNOWN TO THE STATE OF CALIFORNIA TO CAUSE CANCER OR OTHER REPRODUCTIVE HARM.

**SNAPPER**<sup>®</sup> McDonough, GA., 30253 U.S.A.