

Operator's Manual

CRAFTSMAN[®]

1/4" Crown

18 Gauge

3/8 - 1" Length

CROWN STAPLER

Model No.

351.184060

CAUTION: Read and follow all Safety Rules and Operating Instructions before First Use of this Product.

- **Safety**
- **Operation**
- **Maintenance**
- **Parts List**
- **Español**

Sears, Roebuck and Co., Hoffman Estates, IL 60179 U.S.A.

TABLE OF CONTENTS

Warranty	2
Safety Rules	2
Operation	2-4
Maintenance	4
Troubleshooting	5
Parts Illustration and List	6-7
Español	8-11

WARRANTY

FULL ONE YEAR WARRANTY ON CRAFTSMAN AIR-DRIVE TOOLS

If this Craftsman air-drive tool fails due to a defect in material or workmanship within one full year from the date of purchase, return it to the nearest Sears Service Center in the United States, and Sears will repair it free of charge.

If this air-drive tool is used for commercial purposes, this warranty applies for only 90 days from the date of purchase.

This warranty gives you specific legal rights and you may also have other rights which vary from state to state.

Sears, Roebuck and Co., Dept. 817WA, Hoffman Estates, IL 60179

SAFETY RULES

- Air tool operators and all others in work area should always wear safety goggles complying with United States ANSI Z87.1 to prevent eye injury from fasteners and flying debris when loading, operating or unloading this tool.
- Never exceed operating pressure of 100 PSI.
- Always keep hands and body away from the fastener discharge area when air supply is connected to tool.
- Always disconnect tool from air supply when servicing or adjusting tool and when tool is not in use.
- Do not operate when nose of tool is not in contact with work.
- Never load the tool until you are ready to use it.
- Never depress tool trigger when loading.
- Always load with nose of tool pointing away from you and others.
- Never point tool at yourself or others.
- Never carry tool with trigger depressed.
- Do not use oxygen, combustible gas or high pressure compressed gas as the air supply for the tool.
- Always use tool at safe distance from other people in work area.
- Do not attempt to discharge fastener into hard or brittle materials such as concrete, steel or tile.
- Do not connect female quick-disconnect coupling to tool side of air line.
- Connect male, free-flow nipple to tool side of air line so that tool is depressurized when hose is disconnected.
- Do not use a hose swivel with this tool.
- Use Sears recommended fasteners only.

OPERATION

DESCRIPTION

The Craftsman ¼" Crown Stapler drives ¼" crown, 18 gauge staples from ¾" to 1" long. Oilless design eliminates daily oiling and oil stains on workpiece. Die cast aluminum body with textured grip minimizes operator fatigue. Large capacity, top loading magazine with positive quick action latch makes loading easy. Safety feature disables tool unless contact trip is pressed against workpiece. Tapered nosepiece provides operator with greater visibility for precise fastener placement. Rigid nosepiece reduces jamming. The ¼" Crown Stapler is excellent for furniture making, upholstery, cabinetry and picture framing.

SPECIFICATIONS

Capacity	120 staples
Staple crown width	¼"
Staple lengths	¾" to 1"
Staple size	18 gauge (.049 x .040")
Operating pressure	60-100 PSI
Air inlet	¼" N.P.T.
Length	9½"
Height	7½"
Width	2½"
Weight	2.05 lbs.

STAPLES

18333	¼" crown, ½" long
18334	¼" crown, ¾" long
18336	¼" crown, 7⁄8" long
18371	¼" crown, 1" long

AIR SUPPLY LINE

Refer to Figure 1 (page 3).

- The air tool operates on compressed air at pressures from 60 to 100 PSI.
- Never exceed maximum pressure.

Air Delivery Required: 0.47 SCFM @ 90 PSI (30 shots per minute).

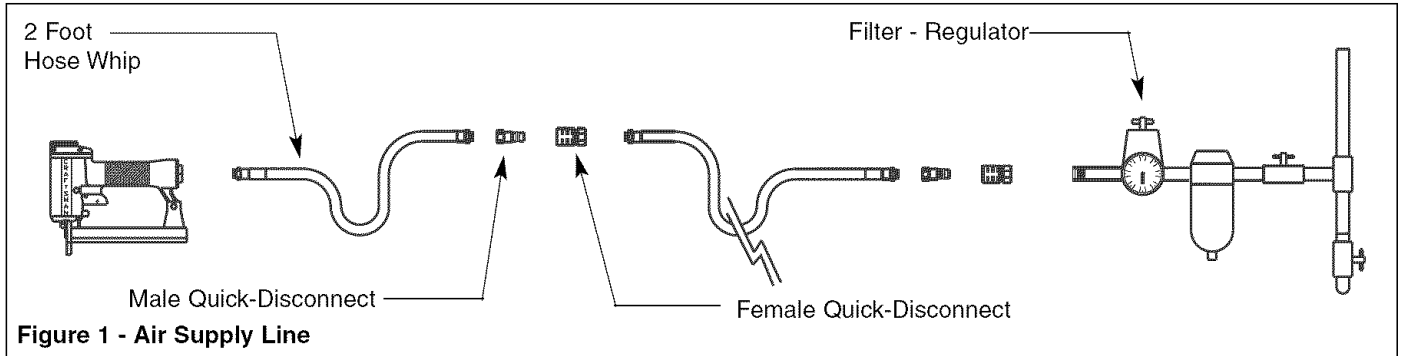
WARNING: Keep hands and body away from discharge area of tool when connecting air supply. Always disconnect tool from air supply when servicing or adjusting tool and when tool is not in use.

- Air operated tools require clean, dry, compressed air to ensure top performance, low maintenance and long life.
- Dirt and abrasive materials present in all air lines will damage tool O-rings, valves and cylinders.
- Moisture will reduce tool performance and life if not removed from compressed air.
- A filter-regulator system is required and should be located as close to tool as possible (see Figure 1, page 3). A distance of less than 15 feet is recommended.
- Keep air filter clean. A dirty filter will reduce the air pressure to the tool causing a reduction in power and efficiency.
- The air supply system must be able to provide air pressure of 60 to 100 pounds per square inch at tool.

- All hoses and pipes in the air supply system must be clean and free of moisture and foreign particles.
- Do not mount swivel connector in air supply line.
- The air pressure should be properly regulated.
- Different workpiece materials and different fastener lengths will require different operating pressure.
- Be sure all connections in air supply system are sealed to prevent air loss.

- Never connect a female quick-disconnect coupling to the tool side of air line connection. A male, free-flow coupling should be connected to the tool side of air line connection.

WARNING: The female coupling provides a seal preventing loss of compressed air from compressor tank when disconnected from male coupling. If connected to tool side of air supply, the female coupling could seal a compressed air charge in the tool which could discharge if the tool trigger is actuated.



LOADING

Refer to Figures 2 & 5 (pages 3 and 6).

WARNING: Disconnect tool from air supply. Always load with nose of tool pointing away from you and others. Always wear safety goggles that comply with United States ANSI Z87.1.

NOTE: For best results use Sears fasteners only.

- Slide pusher (Fig. 5, No. 52) back until it engages the latch. Tilt magazine cover (Fig. 5, No. 56) back to allow fasteners to be installed onto magazine (Fig. 5, No. 57). Tilt pusher to release and gently slide pusher forward against fasteners as shown.

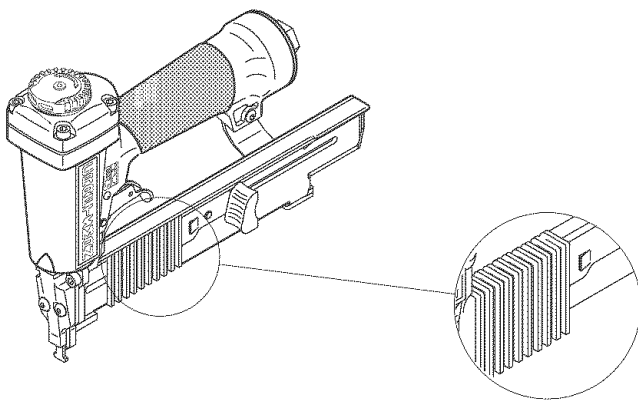


Figure 2
Loading Staples

STAPLING OPERATION

Refer to Figures 3 and 5 (pages 3 and 6).

WARNING: Never operate tool unless contact trip is in contact with workpiece. Do not operate tool without fasteners or damage to tool may result. Never fire fasteners into the air because fasteners may injure operator or others and damage to tool may result.

- The air tool is equipped with a contact trip safety mechanism (see Figure 3) that disables tool unless contact trip is pushed against work. Hold tool handle firmly and press contact trip on workpiece where fastener is to be applied. Pull trigger to drive fastener into workpiece.
- The tool can also be operated by holding trigger depressed and pushing contact trip against workpiece. This operating procedure provides rapid-fire fastener driving. Never operate tool unless contact trip is in contact with workpiece.

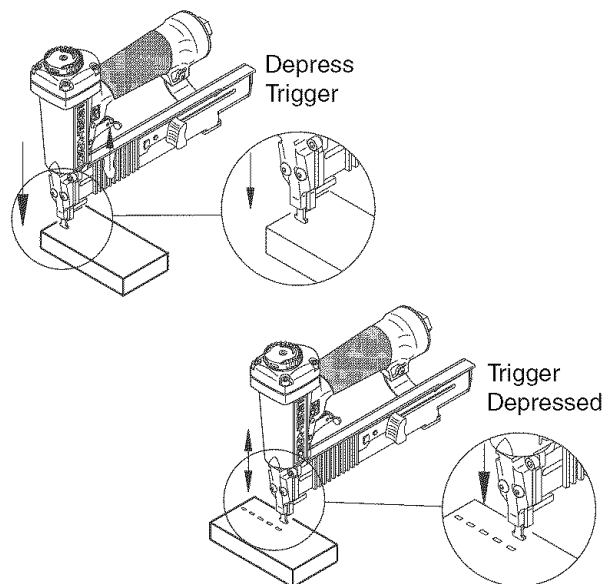


Figure 3
Contact Trip Operation

- The tool is equipped with a push-button switch that can change the operating mode from rapid-fire to single fire. When the red stop button (Fig. 5, No. 47) is pushed in from the "CRAFTSMAN" side, the tool will fire one fastener only. To fire the next fastener, both the trigger (Fig. 5, No. 33) and the contact trip (Fig. 5, No. 63) must be released.

OPERATING PRESSURE

- Use only enough air pressure to perform the operation. Air pressure in excess of that which is required will make the operation inefficient and may cause premature wear or damage to the tool.
- Determine minimum air pressure required by driving some test fasteners into the workpiece. Set air pressure so that test fasteners are driven down flush with the work surface. Fasteners driven too deep may damage workpiece.

EXHAUST DEFLECTOR

Refer to Figures 4 & 5 (pages 4 and 6).

- Exhaust deflector can be positioned to point in any direction (full 360° movement). Reposition deflector (Fig. 5, No. 2) by grasping firmly and rotating to the desired position.

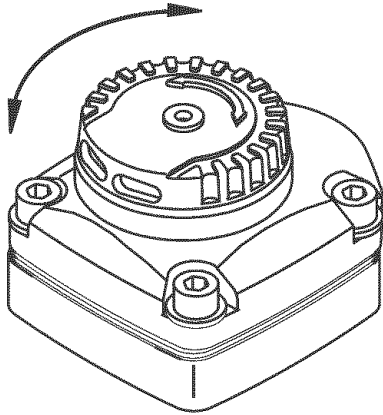


Figure 4 - Exhaust Deflector Adjustment

MAINTENANCE

Refer to Figure 5 (page 6).

MAGAZINE AND PISTON-RAM

- Keep magazine and nose clean and free of any dirt, lint or abrasive particles.

The tip of the ram (Fig. 5, No. 18) can become dented or rounded over time.

- Square off the tip of the ram with a clean, fine hand file to extend the life of the ram and tool. Fastener firing will be more consistent if the ram tip is kept clean and square.

SAFETY MECHANISM

Inspect contact trip safety mechanism daily for proper operation. Do not operate tool if mechanism is not operating properly.

With the red push-button switch in the rapid-fire mode, perform the following procedures to test safety mechanism:

- Leave trigger untouched while pushing contact trip into workpiece. **Tool must not fire.**
- Pull trigger while contact trip is clear of work and pointed away from operator and others. **Tool must not fire.**
- Depress and hold trigger. Push contact trip against work where fastener is needed. The tool should drive only one fastener each time the contact trip is pushed against workpiece.

If contact trip mechanism does not operate properly, repair tool immediately through Sears Service Center.

Replace any damaged or missing parts. Use the parts list to order parts.

REBUILD KITS

Rebuild kits are available as spare parts, (see page 7). Tools should be rebuilt if tool fails to operate properly after extended use. See troubleshooting to determine required replacement parts.

Disconnect tool from air supply before attempting repair or adjustment.

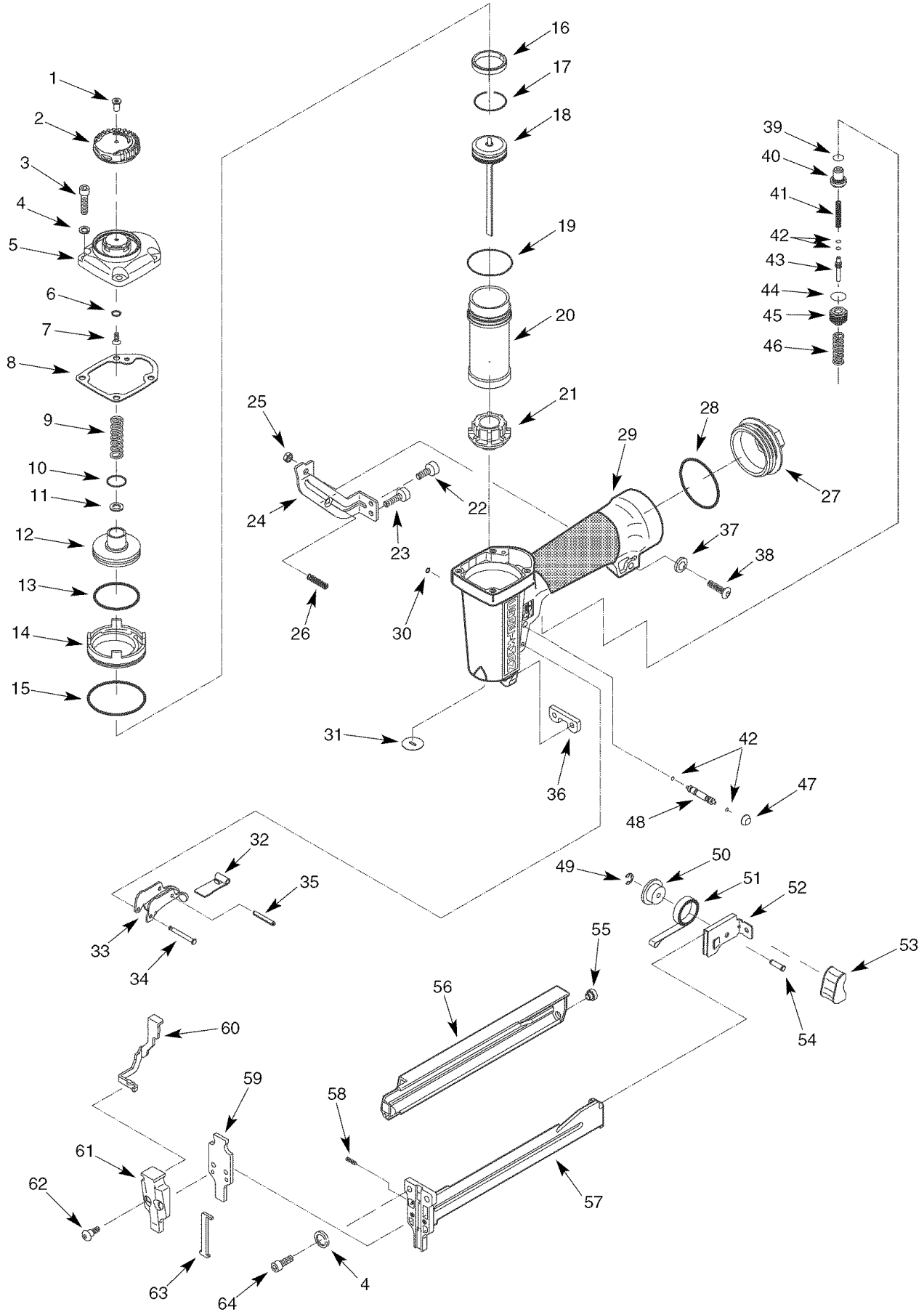
NOTE: When replacing O-rings or cylinder, lubricate with air tool oil before assembly.

TROUBLESHOOTING

SYMPTOM	POSSIBLE CAUSE(S)	CORRECTIVE ACTION
Trigger cap leaks air	<ol style="list-style-type: none"> 1. O-ring damaged 2. Valve stem, seal or O-rings damaged 	<ol style="list-style-type: none"> 1. Check and replace damaged O-ring (Fig. 5, No. 44) 2. Check and replace damaged stem, seal or O-rings (Fig. 5, Nos. 39, 42, 43 and 44)
Cap leaks air	<ol style="list-style-type: none"> 1. Cap bolts loose 2. Damaged O-ring 	<ol style="list-style-type: none"> 1. Tighten bolts (Fig. 5, No. 3) 2. Check and replace damaged O-ring (Fig. 5, No. 6)
Nose leaks air	<ol style="list-style-type: none"> 1. Damaged cylinder O-ring 2. Damaged Bumper 3. Ram guide damaged 	<ol style="list-style-type: none"> 1. Check and replace damaged O-ring (Fig. 5, No. 19) 2. Check and replace damaged bumper (Fig. 5, No. 21) 3. Check and replace ram guide (Fig. 5, No. 31)
Tool will not operate	<ol style="list-style-type: none"> 1. Insufficient air supply 2. Damaged or worn head valve O-rings 3. Broken head valve spring 4. Head valve binding 	<ol style="list-style-type: none"> 1. Check air supply 2. Replace damaged or worn O-rings (Fig. 5, Nos. 10 and 13) 3. Replace broken spring (Fig. 5, No. 9) 4. Clean and lubricate cap and valve (Fig. 5, Nos. 5 and 12)
Tool operates slowly or loses power	<ol style="list-style-type: none"> 1. Head valve spring doesn't work 2. Damaged or worn O-rings 3. Damaged trigger assembly 4. Build-up on ram 5. Cylinder not sealed on bumper properly 6. Insufficient air supply 	<ol style="list-style-type: none"> 1. Check and replace spring (Fig. 5, No. 9) 2. Check and replace damaged or worn O-rings 3. Check and replace trigger assembly 4. Clean piston-ram assembly (Fig. 5, No. 18) 5. Disassemble cylinder and assemble properly 6. Check air supply
Tool skips fasteners or inconsistent operation	<ol style="list-style-type: none"> 1. Worn or damaged bumper 2. Build-up on ram or nose 3. Insufficient air supply 4. Damaged or worn piston O-ring or seal ring 5. Damaged magazine spring 6. Magazine-nose bolts loose 7. Fasteners too short 8. Damaged fasteners 9. Incorrect fastener size 10. Cap leaks 11. Damaged trigger valve O-ring and seal 12. Bent or damaged ram 13. Dirty magazine 14. Damaged or worn magazine 	<ol style="list-style-type: none"> 1. Check and replace bumper (Fig. 5, No. 21) 2. Clean piston-ram assembly (Fig. 5, No. 18) and inside of nose cover (Fig. 5, No. 61) 3. Check air supply 4. Check and replace O-ring or seal ring (Fig. 5, Nos. 17 and 16) 5. Check and replace spring (Fig. 5, No. 51) 6. Align nose with magazine and tighten bolts (Fig. 5, No. 62) 7. Use Sears recommended fasteners only 8. Discard damaged fasteners 9. Use Sears recommended fasteners only 10. Tighten cap bolts (Fig. 5, No. 3). Check and replace damaged cap O-ring (Fig. 5, No. 6) or gasket (Fig. 5, No. 8) 11. Check and replace damaged O-ring and seal (Fig. 5, Nos. 39 and 44) 12. Check and replace damaged piston-ram assembly (Fig. 5, No. 18) 13. Clean magazine and lubricate with air tool oil 14. Check and replace magazine (Fig. 5, No. 57)

Model 351.184060

Figure 5 - Replacement Parts Illustration for 1/4" Crown Stapler



REPLACEMENT PARTS LIST FOR STAPLER

KEY NO.	PART NO.	DESCRIPTION	QTY.
1	4157.00	Flange Nut	1
2	4159.00	Deflector	1
3	7482.00	5-0.8 x 18mm Socket Head Bolt	4
4	STD852005	5mm Lock Washer*	6
5	4164.00	Cap	1
6	4165.00	3 x 1.5mm O-Ring	1
7	5990.00	3-0.5 x 6mm Pan Head Screw	1
8	4195.00	Cap Gasket	1
9	4210.00	Head Valve Spring	1
10	4300.00	14.8 x 2.4mm O-Ring	1
11	4301.00	Spacer	1
12	4302.00	Head Valve Plston	1
13	4303.00	33.5 x 2mm O-Ring	1
14	4304.00	Collar	1
15	4305.00	41 x 1.8mm O-Ring	1
16	4306.00	Seal Ring	1
17	4307.00	19.8 x 2.4mm O-Ring	1
18	4475.00	Piston Ram Assembly	1
19	4309.00	31.5 x 1.8mm O-Ring	1
20	4411.00	Cylinder	1
21	4412.00	Bumper	1
22	5809.00	4-0.7 x 10mm Socket Head Bolt	1
23	6088.00	4-0.7 x 10mm Socket Head Bolt	1
24	4476.00	Bracket	1
25	6349.00	5-0.8mm Fiber Hex Nut	1
26	4477.00	Bracket Spring	1
27	4315.00	Inlet Cap	1
28	4316.00	40 x 3mm O-Ring	1
29	4442.00	Body	1
30	4313.00	1.2 x 2.6mm O-Ring	1
31	4314.00	Ram Guide	1
32	4321.00	Trigger Lever	1
33	4322.00	Trigger	1

* Standard hardware item available locally

Δ Not Shown

Recommended Accessories		
Δ	Staples, 1/4" crown - 1/2" Long	18333
Δ	Staples, 1/4" crown - 3/4" Long	18334
Δ	Staples, 1/4" crown - 7/8" Long	18336
Δ	Staples, 1/4" crown - 1" Long	18371

KEY NO.	PART NO.	DESCRIPTION	QTY.
34	4323.00	Clevis Pin	1
35	6163.00	3 x 16mm Spring Pin	1
36	4414.00	Support Plate	1
37	STD851005	5mm Flat Washer*	1
38	4441.00	5-0.8 x 18mm Socket Head Screw	1
39	6136.00	8.8 x 1.9mm O-Ring	1
40	4324.00	Trigger Valve Head	1
41	4325.00	Trigger Valve Spring	1
42	4318.00	2.5 x 1.4mm O-Ring	4
43	4326.00	Valve Stem	1
44	4327.00	9.8 x 1.9mm O-Ring	1
45	4328.00	Trigger Cap	1
46	4329.00	Trigger Spring	1
47	4319.00	Stop Button	2
48	4320.00	Throttle	1
49	46-221596-9	CMI-3 E-Ring	1
50	4444.00	Capstan	1
51	4483.00	Magazine Spring	1
52	4484.00	Pusher	1
53	4447.00	Pusher Knob	1
54	4448.00	Clevis Pin	1
55	4478.00	Bushing	1
56	4479.00	Magazine Cover	1
57	4480.00	Magazine	1
58	4453.00	3-0.5 x 10mm Set Screw	1
59	4481.00	Nose Plate	1
60	4343.00	Trip Lever	1
61	4344.00	Nose Cover	1
62	4345.00	Shoulder Screw	2
63	4482.00	Contact Trip	1
64	6045.00	5-0.8 x 20mm Socket Head Bolt	2
Δ	4496.01	Operator's Manual	1

Rebuild Kits

Δ	3097.00	Trigger Rebuild Kit Fig. 5, Nos. 39, 43, 44, 46 and (2) 42	1
Δ	3098.00	Head Valve Rebuild Kit Fig. 5, Nos. 8, 10, 13 and 15	1
Δ	4485.00	Piston-Ram Assembly Rebuild Kit Fig. 5, Nos. 16, 17, 18, 19 and 21	1

Corona de 1/4"

Calibre 18

3/8 - 1" de Longitud

ENGRAPADORA DE CORONA

Modelo No.
351.184060

PRECAUCION: Lea este manual y siga las Reglas de Seguridad y las Instrucciones de Operación, antes de usar este producto por la primera vez.

CONTENIDO

Inglés	2-5
Ilustración y Lista de Partes	6-7
Garantía.	8
Reglas de Seguridad	8
Operación	8-10
Mantenimiento	10
Identificación de Problemas	11

GARANTIA

UN AÑO ENTERO DE GARANTIA PARA LAS HERRAMIENTAS IMPULSADAS POR AIRE COMPRIMIDO CRAFTSMAN

Si esta herramienta impulsada por aire Craftsman falla debido a un defecto en el material o en la mano de obra dentro de un año completo a partir de la fecha de compra, devuélvala al centro de servicio más cercano de Sears y Sears la reparará gratis.

Si esta herramienta impulsada por aire comprimido se usa para propósitos comerciales, esta garantía es válida por 90 días solamente, a partir de la fecha de compra.

Esta garantía le da derechos legales específicos y también puede tener otros derechos que varían de un estado al otro.

Sears, Roebuck and Co., Dept. 817WA, Hoffman Estates, IL 60179

REGLAS DE SEGURIDAD

- Los operadores de herramientas neumáticas y todas las otras personas que se encuentren en la zona de trabajo deben utilizar en todo momento gafas de protección que cumplan con la norma ANSI Z87.1, para evitar lesiones a los ojos con los clavos y los desperdicios que se despiden mientras se carga, opera o descarga esta herramienta.
- Jamás se debe exceder la presión de trabajo de 100 PSI.
- Cuando el aire de suministro de encuentre conectado a la herramienta, siempre debe mantener las manos y el cuerpo alejados de la zona de descarga de los clavos.
- Al realizar tareas de servicio o de ajuste de la herramienta, o cuando la misma se encuentre fuera de uso, desconéctela del suministro de aire.

- No opere cuando la boca de la herramienta no está en contacto con el trabajo.
- Jamás cargue la herramienta hasta que usted no esté listo para utilizarla.
- Jamás apriete el gatillo de la herramienta durante la carga.
- Siempre cárguela con la boca de la herramienta apuntando alejándose de usted y de los demás.
- Jamás apunte la herramienta hacia usted u otras personas.
- Jamás transporte la herramienta mientras presiona el gatillo.
- Como suministro de aire para la herramienta no se deben utilizar oxígeno, gases combustibles o gases comprimidos a alta presión.
- Utilice siempre la herramienta a una distancia segura de las otras personas que se encuentren dentro de la zona de trabajo.
- No intente disparar el sujetador dentro de materiales duros o quebradizos, tales como hormigón, acero o azulejos.
- No se debe conectar un acoplamiento hembra de conexión rápida a la línea neumática del lado de la herramienta.
- Conecte un niple macho de flujo libre a la línea neumática del lado de la herramienta, de forma tal que la presión de la misma disminuya al desconectarla de la manguera.
- No use una placa giratoria para manguera con esta herramienta.
- Use solamente los sujetadores recomendados por Sears.

OPERACION

DESCRIPCION

La engrapadora de corona de 1/4" Craftsman clava grapas de calibre 18, de corona de 1/4", de 3/8 a 1" de longitud. El diseño, que no necesita aceite, elimina la lubricación diaria y las manchas de aceite en la pieza de trabajo. Cuerpo de aluminio, moldeado en matriz, con agarradera con textura, que minimiza la fatiga del operador. El depósito, de capacidad grande, que se carga por la parte superior, tiene un pestillo de acción rápida positiva que facilita la carga. La característica de seguridad incapacita la herramienta a menos que se presione el disparador de contacto contra la pieza de trabajo. La pieza de la boca ahusada le proporciona más visibilidad al operador para colocar los sujetadores con precisión. La pieza de la boca rígida reduce los atascamientos. La engrapadora de corona de 1/4" es excelente en la fabricación de muebles, la tapicería, ebanistería y el enmarcado de cuadros.

ESPECIFICACIONES

Capacidad	120 grapas
Ancho de la corona de la grapa	1/4"
Longitudes de la grapa	3/8 a 1"
Tamaño de la grapa	Calibre 18 (0,049 x 0,040")
Presión de operación	60-100 PSI
Entrada de aire.	1/4" N.P.T.
Longitud	24,1 cm
Altura	19 cm
Ancho	5,2 cm
Peso.	0,93 kg

GRAPAS

18333	corona 1/4", longitud 1/2"
18334	corona 1/4", longitud 3/4"
18336	corona 1/4", longitud 7/8"
18371.	corona 1/4", longitud 1"

LINEA DE SUMINISTRO DE AIRE

Refiérase a la Figura 1 (página 9).

- La herramienta de aire opera con aire comprimido a presiones desde 60 hasta 100 PSI.
- Jamás se debe exceder la presión máxima.

Suministro de aire requerido: 0,47 SCFM a 90 PSI (30 disparos por minuto).

ADVERTENCIA: Mientras conecta el suministro de aire se deben mantener las manos y el cuerpo alejados de la zona de descarga de la herramienta. Siempre se debe desconectar el suministro de aire de la herramienta mientras se realizan tareas de servicio o ajuste de la misma, o cuando ésta no se encuentra en uso.

- Para asegurar rendimiento máximo, bajo mantenimiento y larga vida las herramientas con accionamiento neumático requieren aire comprimido, limpio y seco.
- La suciedad y los materiales abrasivos presentes en las líneas neumáticas pueden dañar los anillos O, las válvulas y los cilindros de la herramienta.
- Si la humedad no se elimina del aire comprimido, se reduce el rendimiento y la vida de la herramienta.
- Se requiere un sistema de filtro/regulador, el cual se debe colocar tan cerca de la herramienta como sea posible (veale Figura 1, página 9). Recomendamos una distancia no mayor a 4,6 m.

- Mantenga limpio el filtro de aire. Un filtro sucio reduce la presión de aire que se suministra al clavador y provoca una reducción de la potencia y la eficiencia.
- El sistema de suministro de aire debe ser capaz de proveer una presión de aire de 60 a 100 PSI en la herramienta.
- Todas las mangueras y tuberías del sistema de suministro de aire deben estar limpias y libres de humedad y partículas extrañas.
- En la línea de suministro de aire no se debe colocar un conector giratorio.
- La presión de aire se debe ajustar apropiadamente.
- Los distintos materiales de la pieza de trabajo y las distintas longitudes de los sujetadores requieren distintas presiones de operación.
- Asegúrese de que todas las conexiones del sistema neumático estén bien selladas para evitar fugas de aire.
- Jamás se debe conectar un acople hembra de desconexión rápida en el lado de la herramienta del suministro neumático. Conecte el acople macho de flujo libre a la línea neumática del lado de la herramienta.

ADVERTENCIA: El acoplamiento hembra proporciona un sello que evita la pérdida del aire comprimido del estanque del compresor cuando está desconectado del acoplamiento macho. Si está conectado al lado de la herramienta del abastecimiento de aire, el acoplamiento hembra puede sellar una carga de aire comprimido en la herramienta que se puede descargar en el caso de que el accionador de la herramienta se active.

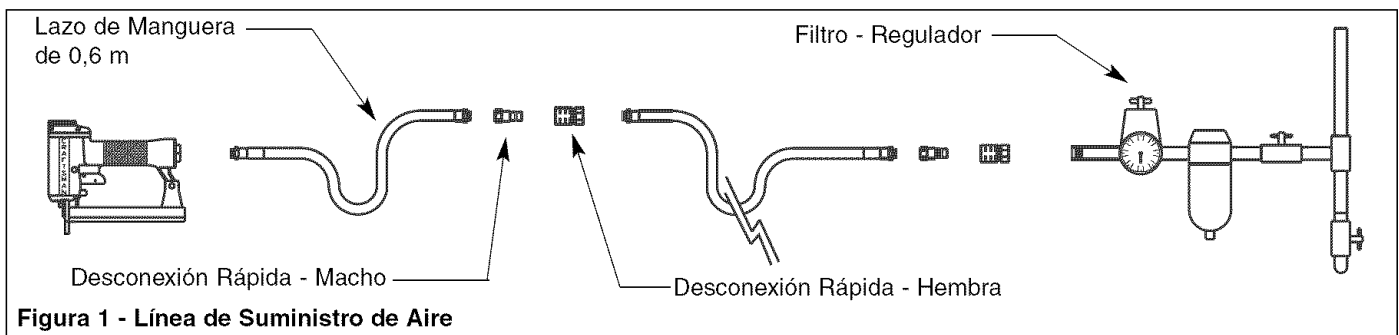


Figura 1 - Línea de Suministro de Aire

CARGA

Refiérase a las Figuras 2 & 5 (páginas 9 y 6).

ADVERTENCIA: Desconecte la herramienta del abastecimiento de aire. Siempre cargue con la boca de la herramienta apuntando alejándose de usted y de los demás. Siempre use gafas de seguridad que cumplan con ANSI Z87.1 de Estados Unidos.

AVISO: Para obtener los mejores resultados, use solamente los sujetadores de Sears.

- Deslice el empujador (Fig. 5, No. 52) hacia atrás hasta que enganche el pestillo. Incline la cubierta del depósito (Fig. 5, No. 56) hacia atrás para poder instalar los sujetadores en el depósito (Fig. 5, No. 57). Incline el empujador para que se suelte y deslícelo suavemente hacia adelante contra los sujetadores, tal como se muestra.

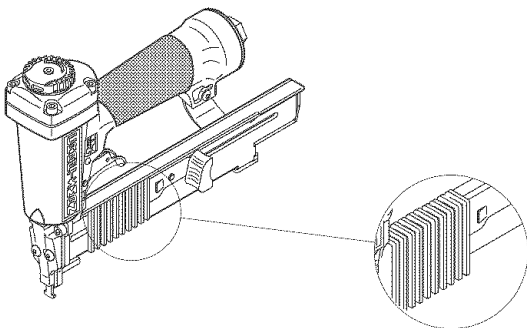


Figura 2 - Carga de las Grapas

OPERACION DE ENGRAPADO

ADVERTENCIA: Nunca opere la herramienta a menos que el disparador de contacto esté en contacto con la pieza de trabajo. Si la herramienta se opera sin los sujetadores se puede dañar. Nunca dispare los sujetadores al aire ya que pueden lesionar al operador o a otras personas y se puede dañar la herramienta.

- La herramienta de aire está equipada con un mecanismo de seguridad para el disparador de contacto (vea la Figura 3, página 10) que incapacita la herramienta a menos que el disparador de contacto se empuje contra el trabajo. Sujete el mango de la herramienta firmemente y apriete el disparador de contacto sobre la pieza de trabajo, donde se va a aplicar el sujetador. Apriete el gatillo para clavar el sujetador en la pieza de trabajo.
- La herramienta también se puede operar manteniendo el gatillo presionado y empujando el disparador de contacto contra la pieza de trabajo. Este procedimiento de operación permite clavar los sujetadores con disparos rápidos. Nunca opere la herramienta a menos que el disparador de contacto esté en contacto con la pieza de trabajo.
- La herramienta viene equipada con un interruptor de botón de presión que puede cambiar el modo de operación de disparo rápido a un sólo disparo. Cuando el botón de parada, rojo (Fig. 5, No. 47) se empuja hacia adentro desde el lado "CRAFTSMAN," la herramienta sólo disparará un fiador. Para disparar el fiador siguiente, tanto el disparador (Fig. 5, No. 33) como el disparador por contacto (Fig. 5, No. 63) se tienen que aliviar.

MANTENIMIENTO

DEPOSITO Y PISTON-PISON

Refiérase a la Figura 5 (página 6).

- Mantenga el depósito y la boca limpios y sin mugre, pelusas o partículas abrasivas.

La punta del pisón (Fig. 5, No. 18) se puede abollar o redondear con el tiempo.

- Cuadre la punta del pisón con una lima manual fina y limpia para extender la duración del pisón y de la herramienta. El disparo de los sujetadores será más consistente si la punta del pisón se mantiene limpia y cuadrada.

MECANISMO DE SEGURIDAD

Inspeccione el mecanismo de seguridad del disparador de contacto diariamente para asegurar una operación correcta. No opere la herramienta si el mecanismo no está operando correctamente.

Ponga el interruptor de botón de presión rojo en el modo de disparo rápido y siga el procedimiento siguiente para probar el mecanismo de seguridad:

- No toque el gatillo mientras empuja el disparador de contacto en la pieza de trabajo. **La herramienta no se debe disparar.**
- Apriete el gatillo mientras el disparador de contacto está fuera del trabajo y apuntando alejándose del operador y de los demás. **La herramienta no debe disparar.**
- Presione y sujete el gatillo. Empuje el disparador de contacto contra el trabajo donde se necesite un sujetador. La herramienta debe clavar solamente un sujetador cada vez que el disparador de contacto se empuja contra la pieza de trabajo.

Si el mecanismo del disparador de contacto no opera correctamente, haga reparar la herramienta inmediatamente a través del Centro de Servicios de Sears.

Reemplace toda pieza dañada o toda pieza faltante. Utilice la lista de piezas para hacer el pedido de las mismas.

JUEGOS DE RECONSTRUCCION

Como pieza de reuesto hay disponibles juegos de reconstrucción (vea la página 7). Las herramientas se deben reconstruir si, después de un uso prolongado, no operan apropiadamente. Vea la guía de búsqueda y solución de problemas para determinar las piezas de repuesto requeridas.

Antes de reparar o ajustar la herramienta, desconéctela de la fuente de suministro de aire.

AVISO: Cuando cambie los anillos O o el cilindro, lubríquelos con aceite para herramientas de aire antes de montarlos.

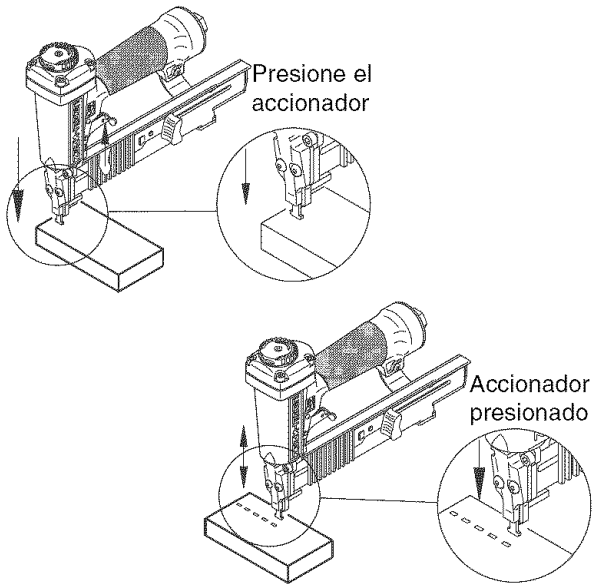


Figura 3 - Operación del Disparador de Contacto

PRESION DE OPERACION

- Utilice solamente la presión de aire justa para la operación. Si la presión es superior a la requerida, la operación de clavado será ineficiente y se pueden causar daños o el desgaste prematuro de la herramienta.
- Determine la presión de aire mínima que se requiere clavando algunos de los sujetadores de prueba en la pieza de trabajo. Ajuste la presión de aire de modo que los sujetadores de prueba se claven hasta abajo, al mismo nivel de la superficie de trabajo. Si se clavan los sujetadores demasiado profundamente, se puede dañar la pieza de trabajo.

DESVIADOR DE ESCAPE

Refiérase a las Figuras 4 & 5 (páginas 10 y 6).

- El desviador del escape se puede colocar para que señale en cualquier dirección (movimiento de 360° completo). Vuelva a colocar el desviador (Fig. 5, No. 2) agarrándolo firmemente y rotándolo a la posición deseada.

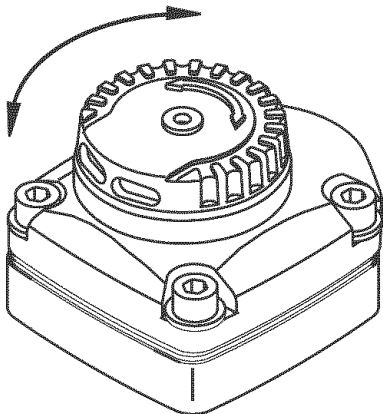


Figura 4 - Ajuste del Desviador de Escape

IDENTIFICACION DE PROBLEMAS

SINTOMA	CAUSA(S) POSIBLE(S)	MEDIDAS CORRECTIVAS
La tapa del gatillo tiene fugas de aire	<ol style="list-style-type: none"> 1. Anillo O dañado 2. El vástago de la válvula, el sello o los anillos O están dañados 	<ol style="list-style-type: none"> 1. Verifique y reemplace el anillo O dañado (Fig. 5, No.44) 2. Revise y cambie el vástago de la válvula, el sello o los anillos O dañados (Fig. 5, Nos. 39, 42, 43 y 44)
La tapa tiene fugas de aire	<ol style="list-style-type: none"> 1. Pernos de tapa flojos 2. El anillo O está dañado 	<ol style="list-style-type: none"> 1. Apriete los pernos (Fig. 5, No. 3) 2. Revise y cambie el anillo O dañado (Fig. 5, No. 6)
La boca tiene fugas de aire	<ol style="list-style-type: none"> 1. El anillo O del cilindro está dañado 2. El amortiguador está dañado 3. La guía del pistón está dañada 	<ol style="list-style-type: none"> 1. Revise y cambie el anillo O dañado (Fig. 5, No. 19) 2. Revise y cambie el amortiguador dañado (Fig. 5, No. 21) 3. Revise y cambie la guía del pistón (Fig. 5, No. 31)
La herramienta no funciona	<ol style="list-style-type: none"> 1. Suministro de aire insuficiente 2. Los anillos O de la válvula de cabeza están dañados o desgastados 3. El resorte de la válvula de cabeza está quebrado 4. La válvula de cabeza está trabada 	<ol style="list-style-type: none"> 1. Verifique el suministro de aire 2. Cambie los anillos O dañados o desgastados (Fig. 5, Nos. 10 y 13) 3. Cambie el resorte quebrado (Fig. 5, No. 9) 4. Limpie y lubrique la tapa y la válvula (Fig. 5, Nos. 5 y 12)
La herramienta funciona lentamente o pierde potencia	<ol style="list-style-type: none"> 1. El resorte de la válvula de cabeza no funciona 2. Los anillos O están dañados o desgastados 3. El conjunto del gatillo está dañado 4. Hay acumulaciones en el pistón 5. El cilindro no está sellado correctamente en el amortiguador 6. Hay un abastecimiento de aire insuficiente 	<ol style="list-style-type: none"> 1. Revise y cambie el resorte (Fig. 5, No. 9) 2. Revise y cambie los anillos O dañados o desgastados 3. Revise y cambie el conjunto del gatillo 4. Limpie el conjunto del pistón-pistón (Fig. 5, No. 18) 5. Desmonte el cilindro y móntelo correctamente 6. Revise el abastecimiento de aire
La herramienta se salta sujetadores u opera en forma inconsistente	<ol style="list-style-type: none"> 1. Parachoques gastado o dañado 2. Acumulación en martinete o boca 3. Alimentación de aire insuficiente 4. Anillo O del pistón o el anillo de sello, desgastado o dañado 5. El resorte del depósito está dañado 6. Los pernos de la boca del depósito están sueltos 7. Los sujetadores son demasiado cortos 8. Los sujetadores están dañados 9. El tamaño del sujetador es incorrecto 10. La tapa tiene fugas 11. El sello y el anillo O de la válvula del gatillo están dañados 12. El pistón está doblado o dañado 13. El depósito está sucio 14. El depósito está dañado o desgastado 	<ol style="list-style-type: none"> 1. Revise y cambie el amortiguador (Fig. 5, No. 21) 2. Limpie el conjunto del pistón-pistón (Fig. 5, No. 18) y el interior de la cubierta de la boca (Fig. 5, No. 61) 3. Verifique el suministro de aire 4. Revise y cambie el anillo O (Fig. 5, No. 17) y el anillo de sello (Fig. 5, No. 16) 5. Revise y cambie el resorte (Fig. 5, No. 51) 6. Alinee la boca con el depósito y apriete los pernos (Fig. 5, No. 62) 7. Use solamente los sujetadores recomendados por Sears 8. Deseche los sujetadores dañados 9. Use solamente los sujetadores recomendados por Sears 10. Apriete los pernos de la tapa (Fig. 5, No. 3). Revise y cambie el anillo O de la tapa (Fig. 5, No. 6) o empaquetadura (Fig. 5, No. 8) 11. Revise y cambie el anillo O y el sello dañados (Fig. 5, Nos. 39 y 44) 12. Revise y cambie el conjunto del pistón-pistón dañado (Fig. 5, No. 18) 13. Limpie el depósito y lubríquelo con aceite para herramientas de aire 14. Revise y cambie el depósito (Fig. 5, No. 57)

**In U.S.A. or Canada
for in-home major brand repair service:**

Call 24 hours a day, 7 days a week

1-800-4-MY-HOMESM (1-800-469-4663)

Para pedir servicio de reparación a domicilio – 1-800-676-5811

Au Canada pour tout le service – 1-877-LE-FOYERSM (1-877-533-6937)

For the repair or replacement parts you need:

Call 6 a.m. – 11 p.m. CST, 7 days a week

PartsDirectSM

1-800-366-PART (1-800-366-7278)

www.sears.com/partsdirect

Para ordenar piezas con entrega a domicilio – 1-800-659-7084

For the location of a Sears Service Center in your area:

Call 24 hours a day, 7 days a week

1-800-488-1222

To purchase or inquire about a Sears Maintenance Agreement:

Call 7 a.m. – 5 p.m. CST, Monday – Saturday

1-800-827-6655

