



*HE<sup>5</sup>*  
*Steam*

## **Gas Dryer**

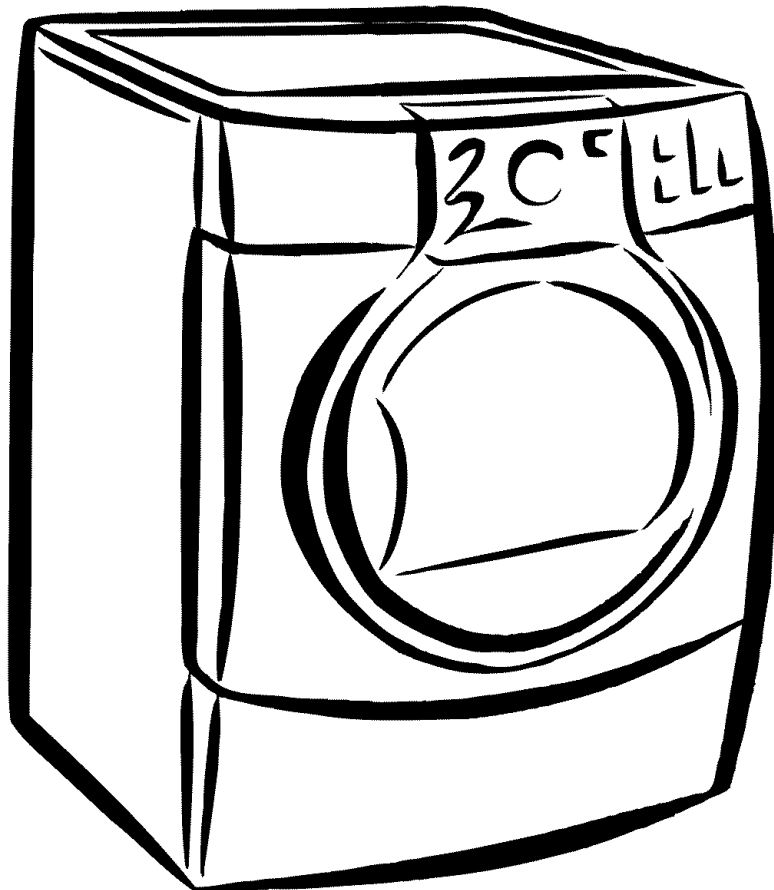
Use & Care Guide

## **Secadora a gas**

Manual de uso y cuidado

Models/Modelos **110.9772\***

\* = color number/número de color



ENGLISH | ESPAÑOL

# TABLE OF CONTENTS

<b>WARRANTY</b> .....	<b>2</b>	Pausing or Restarting .....	16
<b>DRYER SAFETY</b> .....	<b>3</b>	Control Locked .....	16
<b>INSTALLATION INSTRUCTIONS</b> .....	<b>4</b>	Drying and Cycle Tips .....	17
Tools and Parts .....	4	Status Lights .....	17
Optional Pedestal .....	5	Cycles .....	17
Location Requirements .....	5	Options .....	19
Electrical Requirements.....	7	Modifiers .....	19
Gas Supply Requirements .....	8	Changing Cycles, Options and Modifiers .....	20
Venting Requirements .....	9	End of Cycle Signal .....	20
Plan Vent System .....	10	TUMBLE FREE™ Heated Dryer Rack.....	20
Install Vent System .....	11	<b>DRYER CARE</b> .....	<b>21</b>
Install Leveling Legs .....	11	Cleaning the Dryer Location.....	21
Connect Vent.....	11	Cleaning the Lint Screen .....	21
Connect Inlet Hose.....	12	Cleaning the Dryer Interior.....	22
Level Dryer.....	12	Removing Accumulated Lint .....	22
Make Gas Connection.....	12	Water Inlet Hoses .....	22
Reverse Door Swing.....	13	Vacation, Storage and Moving Care .....	22
Complete Installation.....	14	Changing the Drum Light .....	22
<b>DRYER USE</b> .....	<b>15</b>	<b>TROUBLESHOOTING</b> .....	<b>23</b>
Starting Your Dryer.....	15	<b>PROTECTION AGREEMENTS</b> .....	<b>25</b>
Stopping Your Dryer.....	16	<b>SERVICE NUMBERS</b> .....	<b>BACK COVER</b>

## KENMORE ELITE® APPLIANCE WARRANTY

### ONE YEAR LIMITED WARRANTY

When installed, operated and maintained according to all instructions supplied with the product, if this appliance fails due to a defect in material or workmanship within one year from the date of purchase, call 1-800-4-MY-HOME® to arrange for free repair.

### TWO YEAR LIMITED WARRANTY ON SENSOR SMART™ ELECTRONIC BOARD

For two years from the date of purchase, when this dryer is installed, operated and maintained according to all instructions supplied with the product, Sears will replace the electronic control board if defective in materials or workmanship. After the first year, customer assumes any labor costs associated with replacement of these parts.

If this appliance is used for other than private family purposes, this warranty applies for only 90 days from the date of purchase.

### THIS WARRANTY COVERS ONLY DEFECTS IN MATERIAL AND WORKMANSHIP. SEARS WILL NOT PAY FOR:

1. Expendable items that can wear out from normal use, including but not limited to filters, belts, light bulbs, and bags.
2. A service technician to instruct the user in correct product installation, operation or maintenance.
3. A service technician to clean or maintain this product.
4. Damage to or failure of this product if it is not installed, operated or maintained according to all instructions supplied with the product.
5. Damage to or failure of this product resulting from accident, abuse, misuse or use for other than its intended purpose.
6. Damage to or failure of this product caused by the use of detergents, cleaners, chemicals or utensils other than those recommended in all instructions supplied with the product.
7. Damage to or failure of parts or systems resulting from unauthorized modifications made to this product.

### DISCLAIMER OF IMPLIED WARRANTIES; LIMITATION OF REMEDIES

Customer's sole and exclusive remedy under this limited warranty shall be product repair as provided herein. Implied warranties, including warranties of merchantability or fitness for a particular purpose, are limited to one year or the shortest period allowed by law. Sears shall not be liable for incidental or consequential damages. Some states and provinces do not allow the exclusion or limitation of incidental or consequential damages, or limitations on the duration of implied warranties of merchantability or fitness, so these exclusions or limitations may not apply to you.

This warranty applies only while this appliance is used in the United States and Canada.

This warranty gives you specific legal rights, and you may also have other rights which vary from state to state.

**Sears, Roebuck and Co.**  
 Dept. 817WA, Hoffman Estates, IL 60179  
**Sears Canada Inc.**  
 Toronto, Ontario, Canada M5B 2B8

### PRODUCT RECORD

In the space below, record your complete model number, serial number, and purchase date. You can find this information on the model and serial number label located on the product.

Have this information available to help you obtain assistance or service more quickly whenever you contact Sears concerning your appliance.

**Model number** \_\_\_\_\_

**Serial number** \_\_\_\_\_

**Purchase date** \_\_\_\_\_

**Save these instructions and your sales receipt for future reference.**

# DRYER SAFETY

## Your safety and the safety of others are very important.

We have provided many important safety messages in this manual and on your appliance. Always read and obey all safety messages.



This is the safety alert symbol.

This symbol alerts you to potential hazards that can kill or hurt you and others.

All safety messages will follow the safety alert symbol and either the word "DANGER" or "WARNING."

These words mean:

**⚠ DANGER**

You can be killed or seriously injured if you don't immediately follow instructions.

**⚠ WARNING**

You can be killed or seriously injured if you don't follow instructions.

All safety messages will tell you what the potential hazard is, tell you how to reduce the chance of injury, and tell you what can happen if the instructions are not followed.

**WARNING: For your safety, the information in this manual must be followed to minimize the risk of fire or explosion, or to prevent property damage, personal injury, or death.**

- Do not store or use gasoline or other flammable vapors and liquids in the vicinity of this or any other appliance.
- **WHAT TO DO IF YOU SMELL GAS:**
  - Do not try to light any appliance.
  - Do not touch any electrical switch; do not use any phone in your building.
  - Clear the room, building, or area of all occupants.
  - Immediately call your gas supplier from a neighbor's phone. Follow the gas supplier's instructions.
  - If you cannot reach your gas supplier, call the fire department.
- Installation and service must be performed by a qualified installer, service agency, or the gas supplier.

In the State of Massachusetts, the following installation instructions apply:

- Installations and repairs must be performed by a qualified or licensed contractor, plumber, or gasfitter qualified or licensed by the State of Massachusetts.
- If using a ball valve, it shall be a T-handle type.
- A flexible gas connector, when used, must not exceed 3 feet.

### IMPORTANT SAFETY INSTRUCTIONS

**WARNING:** To reduce the risk of fire, electric shock, or injury to persons when using the dryer, follow basic precautions, including the following:

- Read all instructions before using the dryer.
- Do not place items exposed to cooking oils in your dryer. Items contaminated with cooking oils may contribute to a chemical reaction that could cause a load to catch fire.
- Do not dry articles that have been previously cleaned in, washed in, soaked in, or spotted with gasoline, dry-cleaning solvents, or other flammable or explosive substances as they give off vapors that could ignite or explode.
- Do not allow children to play on or in the dryer. Close supervision of children is necessary when the dryer is used near children.
- Before the dryer is removed from service or discarded, remove the door to the drying compartment.
- Do not reach into the dryer if the drum is moving.
- Do not install or store the dryer where it will be exposed to the weather.
- Do not tamper with controls.
- Do not repair or replace any part of the dryer or attempt any servicing unless specifically recommended in this Use and Care Guide or in published user-repair instructions that you understand and have the skills to carry out.
- Do not use fabric softeners or products to eliminate static unless recommended by the manufacturer of the fabric softener or product.
- Do not use heat to dry articles containing foam rubber or similarly textured rubber-like materials.
- Clean lint screen before or after each load.
- Keep area around the exhaust opening and adjacent surrounding areas free from the accumulation of lint, dust, and dirt.
- The interior of the dryer and exhaust vent should be cleaned periodically by qualified service personnel.
- See installation instructions for grounding requirements.

SAVE THESE INSTRUCTIONS

**IMPORTANT:** The gas installation must conform with local codes, or in the absence of local codes, with the National Fuel Gas Code, ANSI Z223.1/NFPA 54.

The dryer must be electrically grounded in accordance with local codes, or in the absence of local codes, with the National Electrical Code, ANSI/NFPA 70.

## INSTALLATION INSTRUCTIONS

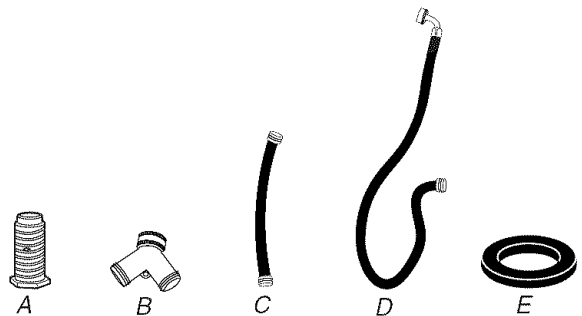
### Tools and Parts

Gather the required tools and parts before starting installation. Read and follow the instructions provided with any tools listed here.

- 8" or 10" pipe wrench
- 8" or 10" adjustable wrench (for gas connections)
- Flat-blade screwdriver
- Adjustable wrench that opens to 1" (2.54 cm) or hex-head socket wrench (for adjusting dryer feet)
- ¼" nut driver or socket wrench
- Level
- Vent clamps
- Knife
- Pipe-joint compound resistant to LP gas
- Caulking gun and compound (for installing new exhaust vent)
- Pliers
- Tape measure

### Parts supplied

Remove parts package from dryer drum. Check that all parts are included.



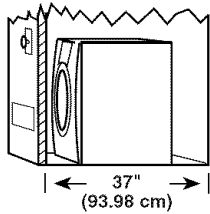
- A. Leveling legs (4)
- B. "Y" connector
- C. Short inlet hose
- D. Inlet hose with right-angle connector
- E. Rubber washer

**NOTE:** Do not use leveling legs supplied with dryer if installing on a pedestal.

**Parts needed**

Check local codes and with gas supplier. Check existing gas supply, electrical supply and venting. Read “Electrical Requirements,” “Gas Supply Requirements” and “Venting Requirements” before purchasing parts.

- For close-clearance installations between 31.5" (80.01 cm) and 37" (93.98 cm), see “Plan Vent System” section for venting requirements.



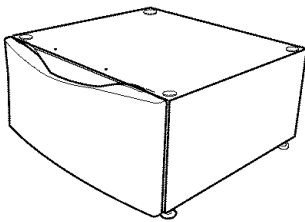
Mobile home installations require special parts (listed following) available for purchase from your local Sears store or Sears Service Center. For further information, please call **1-800-4-MY-HOME® (1-800-469-4663)**.

- Mobile Home Installation Kit. Ask for Part Number 346764.
- Metal exhaust system hardware.

**Optional Pedestal**

Are you placing the dryer on a pedestal? You have the option of purchasing pedestals of different heights separately for this dryer. You may select a 10" (25.4 cm) pedestal or a 15.5" (39.4 cm) pedestal with a storage drawer. The pedestal will add to the total height of the dryer for a total height of approximately 46" (116.8 cm) or 51.5" (130.8 cm), respectively.

For a garage installation, you will need to place the 10" (25.4 cm) pedestal at least 8" (20.3 cm) above the floor. You will need to place the 15.5" (39.4 cm) pedestal at least 3" (7.6 cm) above the floor.



*Optional pedestal (15.5" [39.4 cm] model shown)*

The pedestals are available in several colors.

To order, call your local Sears store. For further information, please call **1-800-4-MY-HOME® (1-800-469-4663)**.

Pedestal Height	Color	Part Number
10" (25.4 cm)	White	46822
10" (25.4 cm)	Black Diamond	46826
15.5" (39.4 cm)	White	57822
15.5" (39.4 cm)	Black Diamond	57826
15.5" (39.4 cm)	Champagne	57828
15.5" (39.4 cm)	Barolo	58829

**Location Requirements**

**⚠ WARNING**



**Explosion Hazard**

Keep flammable materials and vapors, such as gasoline, away from dryer.

Place dryer at least 18 inches (46 cm) above the floor for a garage installation.

Failure to do so can result in death, explosion, or fire.

**You will need**

- A location that allows for proper exhaust installation. A gas dryer must be exhausted to the outdoors. See “Venting Requirements.”
- A grounded electrical outlet located within 2 ft (61 cm) of either side of the dryer. See “Electrical Requirements.”
- A sturdy floor to support the total dryer weight of 200 lbs (90.7 kg). The combined weight of a companion appliance should also be considered.
- Cold water faucets located within 4 ft (1.2 m) of the water fill valves, and water pressure of 20-100 psi (137.9-689.6 kPa). You may use the water supply for your washer using the “Y” connector and short hose (if needed) which are provided.
- A level floor with a maximum slope of 1" (2.5 cm) under entire dryer. (If slope is greater than 1" [2.5 cm], install Extended Dryer Feet Kit, Part No. 279810.) Clothes may not tumble properly and automatic sensor cycles may not operate correctly if dryer is not level.
- For a garage installation, you will need to place the dryer at least 18" (46 cm) above the floor. If using a pedestal, you will need 18" (46 cm) to the bottom of the dryer.

Do not operate your dryer at temperatures below 45°F (7°C). At lower temperatures, the dryer might not shut off at the end of an automatic cycle. Drying times can be extended.

The dryer must not be installed or stored in an area where it will be exposed to water and/or weather.

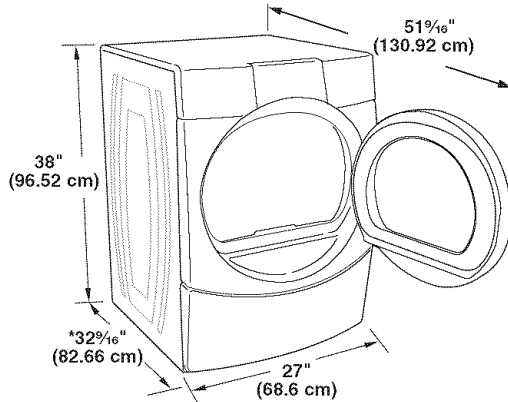
Check code requirements. Some codes limit, or do not permit, installation of the dryer in garages, closets, mobile homes, or sleeping quarters. Contact your local building inspector.

**NOTE:** No other fuel-burning appliance can be installed in the same closet as a dryer.

## Installation clearances

The location must be large enough to allow the dryer door to open fully.

## Dryer Dimensions



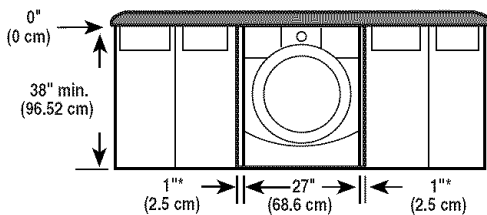
\*Most installations require a minimum 5" (12.7 cm) clearance behind the dryer for the exhaust vent with elbow. See "Venting Requirements."

## Installation spacing for recessed area or closet installation

The following spacing dimensions are recommended for this dryer. This dryer has been tested for spacing of 0" (0 cm) clearance on the sides and rear. Recommended spacing should be considered for the following reasons:

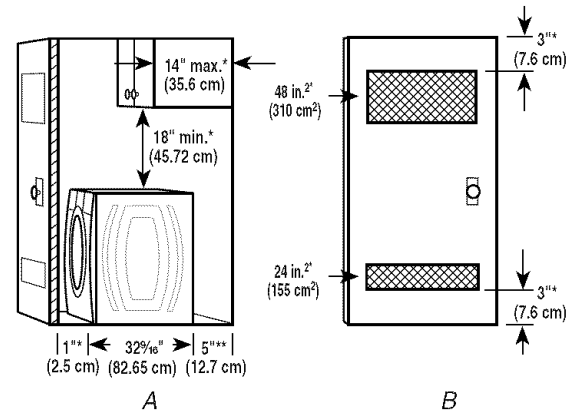
- Additional spacing should be considered for ease of installation and servicing.
- Additional clearances might be required for wall, door and floor moldings.
- Additional spacing should be considered on all sides of the dryer to reduce noise transfer.
- For closet installation, with a door, minimum ventilation openings in the top and bottom of the door are required. Louvered doors with equivalent ventilation openings are acceptable.
- Companion appliance spacing should also be considered.

## Custom undercounter installation - Dryer only



\*Required spacing

## Closet installation - Dryer only

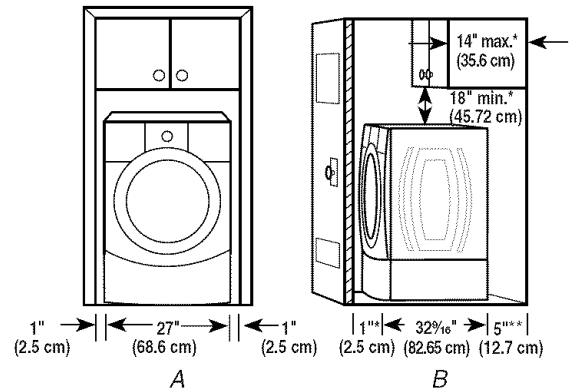


A. Side view - closet or confined area  
B. Closet door with vents

\*Required spacing

\*\*For side or bottom venting, 2" (5.1 cm) spacing is allowed.

## Recessed or closet installation - Dryer on pedestal



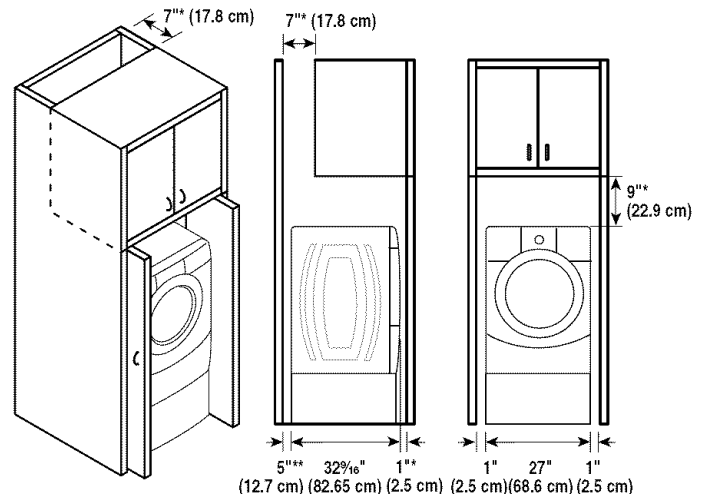
A. Recessed area  
B. Side view - closet or confined area

\*Required spacing

\*\*For side or bottom venting, 2" (5.1 cm) spacing is allowed.

## Installation spacing for cabinet installation

- For cabinet installation, with a door, minimum ventilation openings in the top of the cabinet are required.

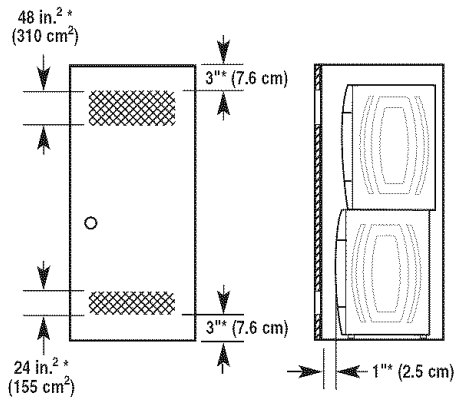


\*Required spacing

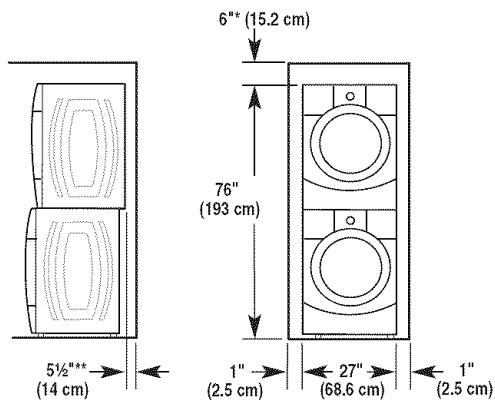
\*\*For side or bottom venting, 2" (5.1 cm) spacing is allowed.

## Recommended installation spacing for recessed or closet installation, with stacked washer and dryer

The dimensions shown are for the recommended spacing.



\*Required spacing



\*Required spacing

\*\*For venting out the side, 2" (5.1 cm) spacing is allowed.

### Mobile home - additional installation requirements

This dryer is suitable for mobile home installations. The installation must conform to the Manufactured Home Construction and Safety Standard, Title 24 CFR, Part 3280 (formerly the Federal Standard for Mobile Home Construction and Safety, Title 24, HUD Part 280).

#### Mobile home installations require:

- Metal exhaust system hardware, which is available for purchase from your local Sears store or Sears Service Center.
- Mobile Home Installation Kit Part Number 346764. See "Tools and Parts" section for information on ordering.
- Special provisions must be made in mobile homes to introduce outside air into the dryer. The opening (such as a nearby window) should be at least twice as large as the dryer exhaust opening.

## Electrical Requirements

### ⚠ WARNING



#### Electrical Shock Hazard

Plug into a grounded 3 prong outlet.

Do not remove ground prong.

Do not use an adapter.

Do not use an extension cord.

Failure to follow these instructions can result in death, fire, or electrical shock.

- 120 Volt, 60 Hz., AC only, 15- or 20-amp fused electrical supply is required. A time-delay fuse or circuit breaker is recommended. It is also recommended that a separate circuit serving only this dryer be provided.

### GROUNDING INSTRUCTIONS

- For a grounded, cord-connected dryer: This dryer must be grounded. In the event of malfunction or breakdown, grounding will reduce the risk of electric shock by providing a path of least resistance for electric current. This dryer is equipped with a cord having an equipment-grounding conductor and a grounding plug. The plug must be plugged into an appropriate outlet that is properly installed and grounded in accordance with all local codes and ordinances.

**WARNING:** Improper connection of the equipment-grounding conductor can result in a risk of electric shock. Check with a qualified electrician or service representative or personnel if you are in doubt as to whether the dryer is properly grounded. Do not modify the plug provided with the dryer: if it will not fit the outlet, have a proper outlet installed by a qualified electrician.

### SAVE THESE INSTRUCTIONS

## Gas Supply Requirements

### ⚠ WARNING



#### Explosion Hazard

Use a new CSA International approved gas supply line.

Install a shut-off valve.

Securely tighten all gas connections.

If connected to LP, have a qualified person make sure gas pressure does not exceed 13" (33 cm) water column.

Examples of a qualified person include:  
**licensed heating personnel,  
 authorized gas company personnel, and  
 authorized service personnel.**

Failure to do so can result in death, explosion, or fire.

### Gas Type

#### Natural gas:

This dryer is equipped for use with Natural gas. It is design-certified by CSA International for LP (propane or butane) gases with appropriate conversion.

- Your dryer must have the correct burner for the type of gas in your home. Burner information is located on the rating plate in the door well of your dryer. If this information does not agree with the type of gas available, contact your local Sears store or Sears Service Center.

#### LP gas conversion:

**Conversion must be made by a qualified technician.**

No attempt shall be made to convert the appliance from the gas specified on the model/serial rating plate for use with a different gas without consulting your gas company.

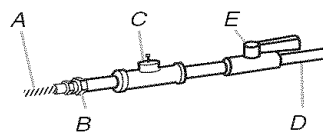
### Gas supply line

- Must include 1/8" NPT minimum plugged tapping accessible for test gauge connection, immediately upstream of the gas connection to the dryer (see illustration).
- 1/2" IPS pipe is recommended.
- 3/8" approved aluminum or copper tubing is acceptable for lengths under 20 ft (6.1 m) if local codes and gas supplier permit.
- If you are using Natural gas, do not use copper tubing.
- Lengths over 20 ft (6.1 m) should use larger tubing and a different size adapter fitting.
- If your dryer has been converted to use LP gas, 3/8" LP compatible copper tubing can be used. If the total length of the supply line is more than 20 ft (6.1 m), use larger pipe.

**NOTE:** Pipe-joint compounds that resist the action of LP gas must be used. Do not use TEFLON<sup>®†</sup> tape.

- Must include a shutoff valve:

An individual shutoff valve must be installed within 6 feet (1.8 m) of the dryer in accordance with the National Fuel Gas Code, ANSI Z223.1. The location should be easy to reach for opening and closing.



- A. 3/8" flexible gas connector
- B. 3/8" pipe to flare adapter fitting
- C. 1/8" NPT minimum plugged tapping
- D. 1/2" NPT gas supply line
- E. Gas shutoff valve

### Gas supply connection requirements

- Use an elbow and a 3/8" flare x 3/8" NPT adapter fitting between the flexible gas connector and the dryer gas pipe, as needed to avoid kinking.
- Use only pipe-joint compound. Do not use TEFLON<sup>®†</sup> tape.
- This dryer must be connected to the gas supply line with a listed flexible gas connector that complies with the standard for connectors for gas appliances, ANSI Z21.24.

### Burner input requirements

#### Elevations up to 10,000 ft (3,048 m):

- The design of this dryer is certified by CSA International for use at altitudes up to 10,000 ft (3,048 m) above sea level at the Btu rating indicated on the model/serial number plate. Burner input adjustments are not required when the dryer is operated up to this elevation.

#### Elevations above 10,000 ft (3,048 m):

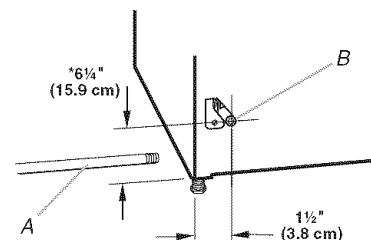
- When installed above 10,000 ft (3,048 m) a 4% reduction of the burner Btu rating shown on the model/serial number plate is required for each 1,000 ft (305 m) increase in elevation.

### Gas supply pressure testing

- The dryer must be disconnected from the gas supply piping system during pressure testing at pressures greater than 1/2 psi.

### Dryer gas pipe

- The gas pipe that comes out through the rear of your dryer has a 3/8" male pipe thread.



- A. 1/2" NPT gas supply line
- B. 3/8" NPT dryer pipe

**\*NOTE:** If the dryer is mounted on a pedestal, the gas pipe height must be an additional 10" (25.4 cm) or 15.5" (39.4 cm) from the floor, depending on the pedestal model. For a garage installation, the gas pipe height must be an additional 18" (46 cm) from the floor.

†TEFLON is a registered trademark of E.I. Du Pont De Nemours and Company.



## Venting Requirements

### **WARNING**



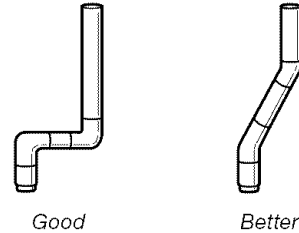
#### Fire Hazard

- Use a heavy metal vent.
- Do not use a plastic vent.
- Do not use a metal foil vent.
- Failure to follow these instructions can result in death or fire.

- Remove excess flexible metal vent to avoid sagging and kinking that may result in reduced airflow and poor performance.
- Do not install flexible metal vent in enclosed walls, ceilings or floors.

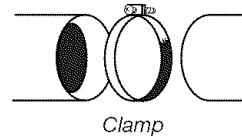
#### Elbows

45° elbows provide better airflow than 90° elbows.



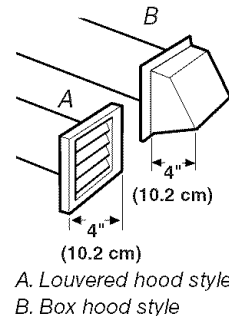
#### Clamps

- Use clamps to seal all joints.
- Exhaust vent must not be connected or secured with screws or other fastening devices that extend into the interior of the duct. Do not use duct tape.

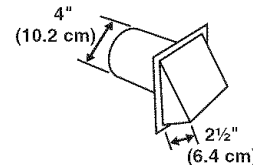


#### Exhaust

Recommended hood styles are shown here.



The angled hood style (shown here) is acceptable.



- An exhaust hood should cap the vent to keep rodents and insects from entering the home.
- Exhaust hood must be at least 12" (30.5 cm) from the ground or any object that may be in the path of the exhaust (such as flowers, rocks or bushes, snow line, etc.).
- Do not use an exhaust hood with a magnetic latch.

#### Improper venting can cause moisture and lint to collect indoors, which may result in:

- Moisture damage to woodwork, furniture, paint, wallpaper, carpets, etc.
- Housecleaning problems and health problems.

**WARNING:** To reduce the risk of fire, this dryer MUST BE EXHAUSTED OUTDOORS.

**IMPORTANT:** Observe all governing codes and ordinances. The dryer exhaust must not be connected into any gas vent, chimney, wall, ceiling or a concealed space of a building.

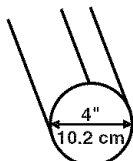
#### If using an existing vent system

- Clean lint from the entire length of the system and make sure exhaust hood is not plugged with lint.
- Replace any plastic or metal foil vent with rigid or flexible heavy metal vent.
- Review Vent system chart. Modify existing vent system if necessary to achieve the best drying performance.

#### If this is a new vent system

##### Vent material

- Use a heavy metal vent. Do not use plastic or metal foil vent.
- 4" (10.2 cm) heavy metal exhaust vent and clamps must be used. DURASAFE™ venting products are recommended.



4" (10.2 cm) heavy metal exhaust vent

DURASAFE™ vent products can be purchased from your dealer. For further information, please call 1-800-4-MY-HOME® (1-800-469-4663) or visit our website at [www.sears.com](http://www.sears.com).

##### Rigid metal vent

- For best drying performance, rigid metal vents are recommended.
- Rigid metal vent is recommended to avoid crushing and kinking.

##### Flexible metal vent

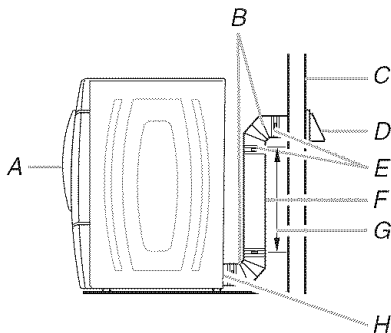
- Flexible metal vents are acceptable only if accessible for cleaning.
- Flexible metal vent must be fully extended and supported when the dryer is in its final location.

## Plan Vent System

### Choose your exhaust installation type

#### Recommended exhaust installations

Typical installations vent the dryer from the rear of the dryer. Other installations are possible.



- |                 |                                            |
|-----------------|--------------------------------------------|
| A. Dryer        | E. Clamps                                  |
| B. Elbow        | F. Rigid metal or flexible metal vent      |
| C. Wall         | G. Vent length necessary to connect elbows |
| D. Exhaust hood | H. Exhaust outlet                          |

#### Optional exhaust installations

This dryer can be converted to exhaust out the right side, left side, or through the bottom. Contact your local dealer to have the dryer converted.

## WARNING



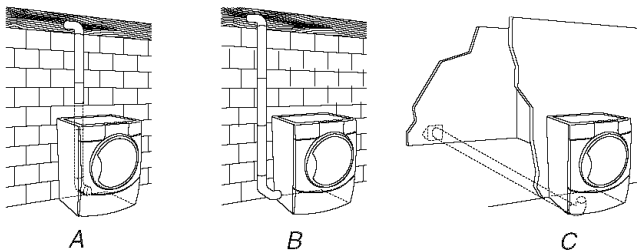
### Fire Hazard

Cover unused exhaust holes with one of the following kits:

- 279818 (white)
- 279915 (black diamond)
- 280102 (pacific blue)
- 280103 (champagne)
- 280189 (barolo)

Contact your local dealer.

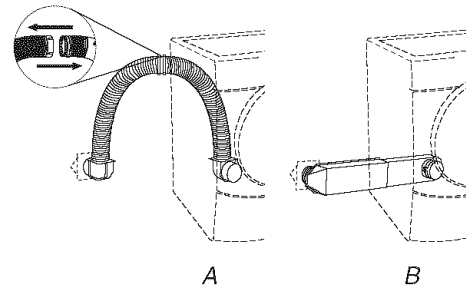
Failure to follow these instructions can result in death, fire, electrical shock, or serious injury.



- A. Standard rear offset exhaust installation
- B. Left or right side exhaust installation
- C. Bottom exhaust installation (not an option with pedestal installations)

#### Alternate installations for close clearances

Venting systems come in many varieties. Select the type best for your installation. Two close-clearance installations are shown. Refer to the manufacturer's instructions.



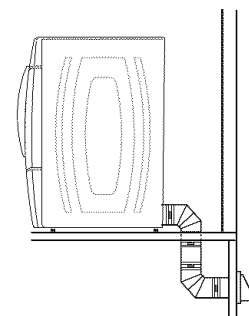
- A. Over-the-top installation (also available with one offset elbow)
- B. Periscope installation

**NOTE:** The following kits for close clearance alternate installations are available for purchase. For further information, please call **1-800-4-MY-HOME® (1-800-469-4663)**.

- Over-the-Top Installation:  
Part Number 26-49900
- Periscope Installation (For use with dryer vent to wall vent mismatch):  
Part Number 26-49901 - Less than 5" (12.7 cm) mismatch  
Part Number 26-49908 - 5" (12.7 cm) to 18" (45.72 cm) mismatch  
Part Number 26-49904 - 18" (45.72 cm) to 29" (73.66 cm) mismatch  
Part Number 26-49905 - 29" (73.66 cm) to 50" (127 cm) mismatch

#### Special provisions for mobile home installations

The exhaust vent must be securely fastened to a noncombustible portion of the mobile home structure and must not terminate beneath the mobile home. Terminate the exhaust vent outside.



#### Determine vent path

- Select the route that will provide the straightest and most direct path outdoors.
- Plan the installation to use the fewest number of elbows and turns.
- When using elbows or making turns, allow as much room as possible.
- Bend vent gradually to avoid kinking.
- Use the fewest 90° turns possible.

## Determine vent length and elbows needed for best drying performance

- Use the following Vent system chart to determine type of vent material and hood combinations acceptable to use.
- **NOTE:** Do not use vent runs longer than those specified in the Vent system chart. Exhaust systems longer than those specified will:
  - Shorten the life of the dryer.
  - Reduce performance, resulting in longer drying times and increased energy usage.

The Vent system chart provides venting requirements that will help to achieve the best drying performance.

### Vent system chart

**NOTE:** Side and bottom exhaust installations have a 90° turn inside the dryer. To determine maximum exhaust length, add one 90° turn to the chart.

Number of 90° turns or elbows	Type of vent	Box or Louvered hoods	Angled hoods
0	Rigid metal	64 ft (20 m)	58 ft (17.7 m)
	Flexible metal	36 ft (11 m)	28 ft (8.5 m)
1	Rigid metal	54 ft (16.5 m)	48 ft (14.6 m)
	Flexible metal	31 ft (9.4 m)	23 ft (7 m)
2	Rigid metal	44 ft (13.4 m)	38 ft (11.6 m)
	Flexible metal	27 ft (8.2 m)	19 ft (5.8 m)
3	Rigid metal	35 ft (10.7 m)	29 ft (8.8 m)
	Flexible metal	25 ft (7.6 m)	17 ft (5.2 m)
4	Rigid metal	27 ft (8.2 m)	21 ft (6.4 m)
	Flexible metal	23 ft (7 m)	15 ft (4.6 m)

## Install Vent System

1. Install exhaust hood. Use caulking compound to seal exterior wall opening around exhaust hood.
2. Connect vent to exhaust hood. Vent must fit inside exhaust hood. Secure vent to exhaust hood with 4" (10.2 cm) clamp.
3. Run vent to dryer location. Use the straightest path possible. See "Determine vent path" in "Plan Vent System." Avoid 90° turns. Use clamps to seal all joints. Do not use duct tape, screws or other fastening devices that extend into the interior of the vent to secure vent.

## Install Leveling Legs

### **⚠ WARNING**

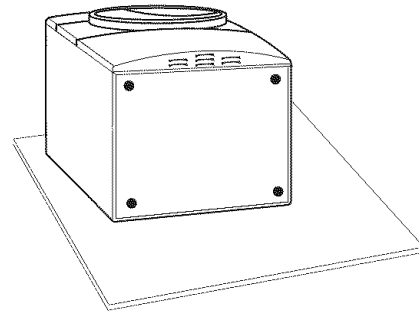
#### Excessive Weight Hazard

Use two or more people to move and install dryer.

Failure to do so can result in back or other injury.

1. To protect the floor, use a large flat piece of cardboard from the dryer carton. Place cardboard under the entire back edge of the dryer.

2. Firmly grasp the body of the dryer (not the console panel). Gently lay the dryer on the cardboard. See illustration.



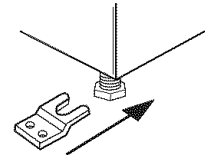
3. Examine the leveling legs. Find the diamond marking.



4. Screw the legs into the leg holes by hand. Use a wrench to finish turning the legs until the diamond marking is no longer visible.
5. Place a carton corner post from dryer packaging under each of the 2 dryer back corners. Stand the dryer up. Slide the dryer on the corner posts until it is close to its final location. Leave enough room to connect the exhaust vent or gas line.

### For mobile home use

Gas dryers must be securely fastened to the floor at the time of installation.



Mobile home installations require a Mobile Home Installation Kit. For more information, please call **1-800-4-MY-HOME® (1-800-469-4663)**.

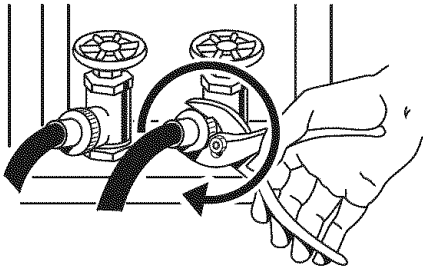
## Connect Vent

1. Using a 4" (10.2 cm) clamp, connect vent to exhaust outlet in dryer. If connecting to existing vent, make sure the vent is clean. The dryer vent must fit over the dryer exhaust outlet and inside the exhaust hood. Check that the vent is secured to exhaust hood with a 4" (10.2 cm) clamp.
2. Move dryer into its final location. Do not crush or kink vent.
3. (On gas models) Check that there are no kinks in the flexible gas line.
4. Once the exhaust vent connection is made, remove the corner posts and cardboard.

## Connect Inlet Hose

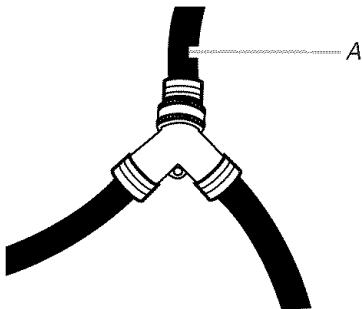
The dryer must be connected to the cold water faucet using the new inlet hoses. Do not use old hoses.

1. Turn cold water faucet off and remove washer inlet hose.
  2. Remove old rubber washer from inlet hose and replace with new rubber washer provided. If space permits, attach the brass female end of the "Y" connector to the cold water faucet.
- NOTE:** If "Y" connector can be attached directly to cold water faucet, go to Step 6. If "Y" connector cannot be attached directly to the cold water faucet, the short hose must be used. Continue with Step 3.
3. Attach short hose to cold water faucet. Screw on coupling by hand until it is seated on faucet.
  4. Using pliers, tighten the couplings with an additional two-thirds turn.



**NOTE:** Do not overtighten. Damage to the coupling can result.

5. Attach "Y" connector to brass male end of small hose. Screw on coupling by hand until it is seated on connector.
6. Attach straight end of long hose to "Y" connector.
7. Attach washer cold inlet hose to other end of "Y" connector. Screw on coupling by hand until it is seated on connector.
8. Using pliers, tighten the couplings with an additional two-thirds turn.

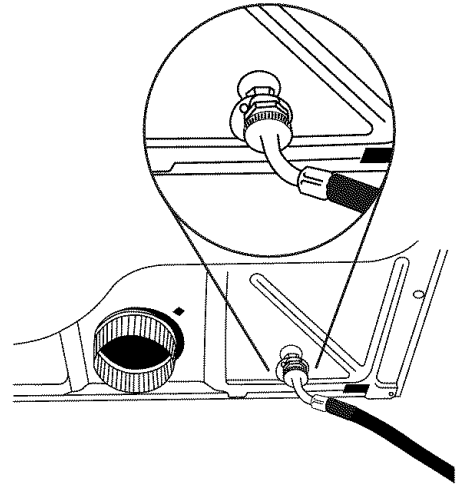


A. Inlet to cold water

**NOTE:** Do not overtighten. Damage to the coupling can result.

9. Attach angled end of long hose to fill valve at bottom of dryer back panel. Screw on coupling by hand until it is seated on fill valve connector.

10. Using pliers, tighten the coupling with an additional two-thirds turn.

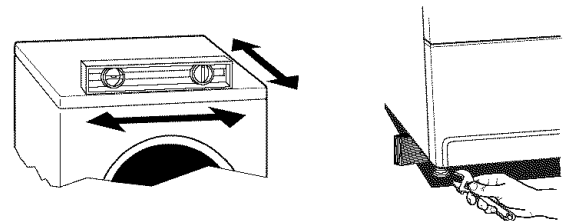


**NOTE:** Do not overtighten. Damage to the coupling can result.

11. Check that the water faucets are on.
12. Check for leaks around "Y" connector, faucet and hoses.

## Level Dryer

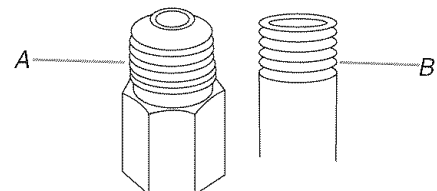
Check the levelness of the dryer. Check levelness first side to side, then front to back.



If the dryer is not level, prop up the dryer using a wood block. Use a wrench to adjust the legs up or down and check again for levelness.

## Make Gas Connection

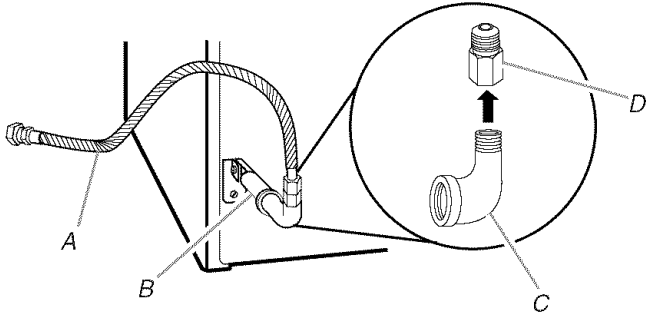
1. Remove the red cap from the gas pipe.
2. Using a wrench to tighten, connect the gas supply to the dryer. Use pipe-joint compound on the threads of all non-flared male fittings. If flexible metal tubing is used, be sure there are no kinks.



A. Flared male fitting  
B. Non-flared male fitting

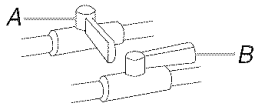
**NOTE:** For LP gas connections, you must use pipe-joint compound resistant to the action of LP gas. Do not use TEFLON® tape.

A combination of pipe fittings must be used to connect the dryer to the existing gas line. Shown is a recommended connection. Your connection may be different, according to the supply line type, size and location.



- A. 3/8" flexible gas connector
- B. 3/8" dryer pipe
- C. 3/8" to 3/8" pipe elbow
- D. 3/8" pipe-to-flare adapter fitting

3. Open the shutoff valve in the supply line. The valve is open when the handle is parallel to the gas pipe.



- A. Closed valve
- B. Open valve

4. Test all connections by brushing on an approved noncorrosive leak-detection solution. Bubbles will show a leak. Correct any leak found.

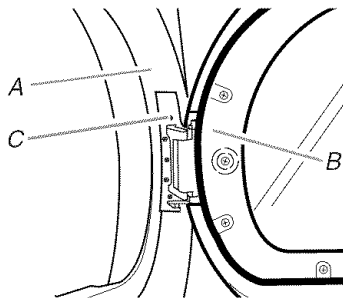
## Reverse Door Swing

You can change your door swing from a right-side opening to a left-side opening, if desired.

**NOTE:** For ease of installation, you may want to use 2 or more people to remove and reattach the dryer door.

### Remove the door

1. Place a towel or soft cloth on top of the dryer or work space to protect the surface.
2. Open the dryer door. Remove the 5 screws that hold the door hinge on the front panel of the dryer.

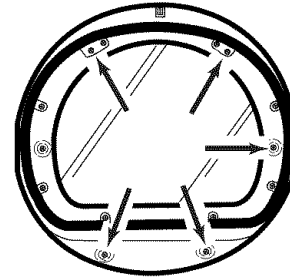


- A. Dryer front panel
- B. Dryer door
- C. Screws

3. Remove the door.

4. Lay the dryer door on a flat, protected surface with the inside door assembly facing up.

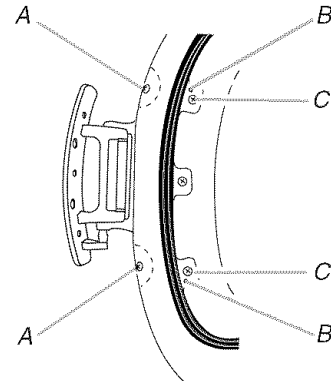
Remove the 5 screws to release the outer door assembly from the inner door assembly, as indicated below. See illustration. It is important that you remove only the 5 indicated screws.



5. Lift the inner door assembly off of the outer door assembly. Set the outer door assembly aside.

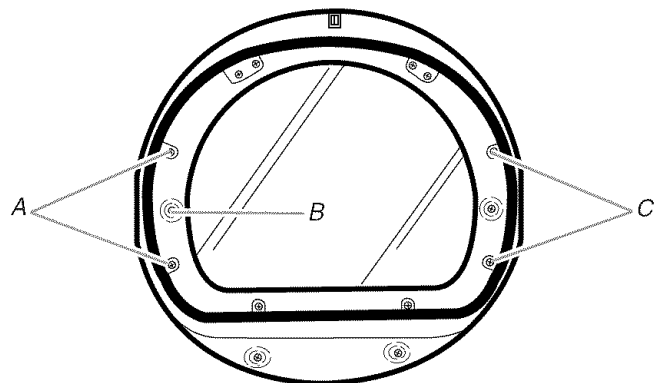
### Reverse the hinge

1. Place the inner door, screw head side up, on the work space.
2. Remove the 4 hinge screws that hold the hinge to the door and remove hinge.



- A. Hinge side screw
- B. Locator pins on hinge
- C. Top side screw

3. Move the large hole screw to the opposite side. Remove the 2 plug screws and plastic plugs, and insert them in the original screw holes on the opposite side.

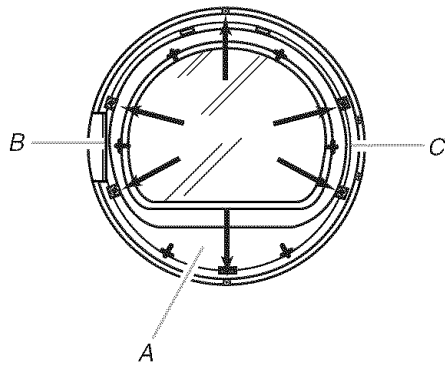


- A. Hinge screws
- B. Large hole screw
- C. Plug screws and plastic plugs

4. Move hinge to the other side and reattach with the 4 screws removed in Step 2. Make sure locator pins line up in holes and drive the top 2 screws in place first to help drive locator pins into proper location.
5. Set the inner door assembly aside.

### Reverse the door handle

1. Place the outer door assembly face down on work space.
2. Remove the 6 screws that hold the intermediate door to the outer door assembly. Remove the intermediate door, and set hinge shield aside. Remove the hinge hole cover.

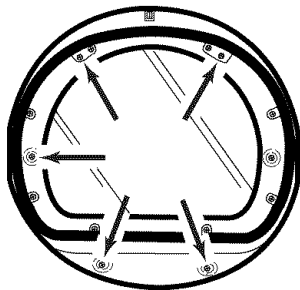


A. Intermediate door  
B. Hinge shield  
C. Hinge hole cover

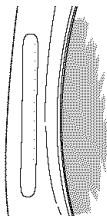
3. Rotate the window assembly 180° and reattach the intermediate door, hinge shield and hinge hole cover with the 6 screws removed in Step 2.

### Reinstalling the door

1. Place the inner door assembly into the outer door assembly. To fit correctly, the inside door assembly edge is completely inside the outside door assembly edge.
2. Reassemble the inner and outer door assemblies with the 5 screws.

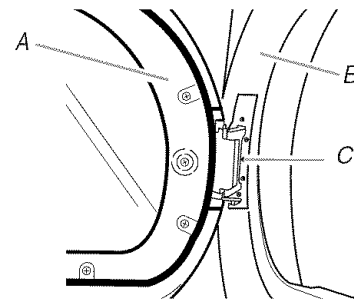


3. Remove existing label from the opposite side of the door and discard. Find label provided with the Use and Care Guide and apply over original hinge holes.



4. Align the door by placing the locating tabs on the hinge with the locating holes on the dryer front panel. Insert and tighten the center hinge screw. The door will hang in place while you insert and tighten the remaining 4 screws.

**NOTE:** Two or more people may be needed to reattach the dryer door.



A. Dryer door  
B. Dryer front panel  
C. Insert this hinge screw first.

5. Close the door and check that it latches securely.
6. Check for fingerprints on the glass. Clean the glass if necessary.

### Complete Installation

1. Check that all parts are now installed. If there is an extra part, go back through the steps to see which step was skipped.
2. Check that you have all of your tools.
3. Be sure the water faucets are on.
4. Check for leaks around "Y" connector, faucets and inlet hoses.
5. Check the dryer's final location. Be sure the vent is not crushed or kinked.
6. Check that the dryer is level. See "Level Dryer."

### ⚠ WARNING



#### Electrical Shock Hazard

**Plug into a grounded 3 prong outlet.**

**Do not remove ground prong.**

**Do not use an adapter.**

**Do not use an extension cord.**

**Failure to follow these instructions can result in death, fire, or electrical shock.**

7. Plug into a grounded 3 prong outlet. Turn on power.
8. Remove any protective film or tape remaining on the dryer.
9. Dispose of/recycle all packaging materials.
10. Read "Dryer Use."
11. Wipe the dryer drum interior thoroughly with a damp cloth to remove any dust.

- Select a Timed Dry heated cycle, and start the dryer. Do not select the Air Only Temperature setting.

**If the dryer will not start, check the following:**

- Dryer is plugged into a grounded 3 prong outlet.
- Electrical supply is connected.
- Household fuse is intact and tight, or circuit breaker has not tripped.

- Dryer door is closed.

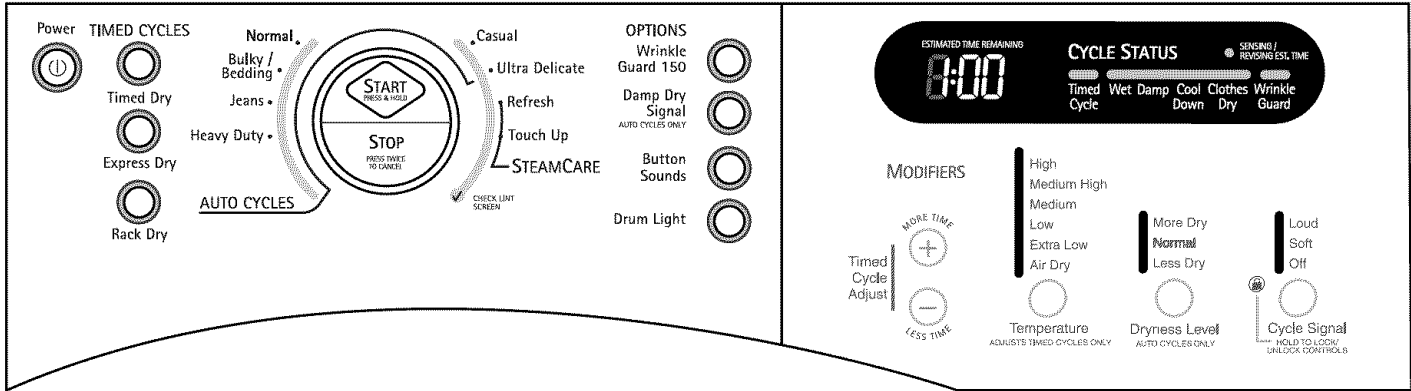
This Dryer automatically runs an installation diagnostic routine at the start of its first cycle.

**If you receive an L2 code, there may be a problem with your home power supply keeping the dryer's heater from turning on.** See "Troubleshooting."

**If you receive an AF code, your dryer vent may be crushed or blocked.** See "Troubleshooting."


**NOTE:** You may notice a burning odor when the dryer is first heated. This odor is common when the heating element is first used. The odor will go away.

## DRYER USE



### Starting Your Dryer

**⚠ WARNING**




**Explosion Hazard**

Keep flammable materials and vapors, such as gasoline, away from dryer.

Do not dry anything that has ever had anything flammable on it (even after washing).

Failure to follow these instructions can result in death, explosion, or fire.

**⚠ WARNING**



**Fire Hazard**

No washer can completely remove oil.

Do not dry anything that has ever had any type of oil on it (including cooking oils).

Items containing foam, rubber, or plastic must be dried on a clothesline or by using an Air Cycle.

Failure to follow these instructions can result in death or fire.

Follow these basic steps to start your dryer. Please refer to specific sections of this manual for more detailed information.

- Clean lint screen before each load. See "Cleaning the Lint Screen."
- Place laundry in dryer and shut door.
- Press the POWER button. Then rotate the dial to select the desired Auto or SteamCare Cycle. Press button on left of dial to select the desired Timed Cycle. The indicator light for the selected Auto or Timed Cycle will glow green. The indicator light for the selected SteamCare Cycle will glow blue.

The preset modifiers for the selected cycle will glow green. Selectable options will glow amber. If an option or modifier is unavailable with the selected cycle, the light will not illuminate. The estimated or actual cycle time (in minutes) will show in the display.

**To use an Auto Cycle**

**NOTE:** A light next to each feature will glow green when the feature is selected or will glow amber when the feature is selectable.

- Select an Auto Cycle.
- Select DRYNESS LEVEL to adjust how dry you want the load. As the cycle runs, the control senses the dryness of the load and adjusts the time automatically for the selected dryness level.

**NOTE:** Most loads may be dried using the Normal dryness level, which is shown in bold letters on your control panel. Normal is the energy preferred dryness level and will use the least energy.

- Select the desired Options.

**To make changes during an Auto Cycle:**

- Press STOP once.
- Adjust Dryness Level.

**NOTE:** Dryness Level selections can be made only while using Auto Cycles. You can select a different dryness level, depending on your load, by pressing Dryness Level and choosing More Dry, Normal or Less Dry. Selecting More Dry, Normal or Less Dry automatically adjusts the sensed time needed.



**How Auto Dry works**

SmartHeat™ improves drying performance with Auto Moisture Sensing Plus, which advances the cycle as moisture is extracted from clothing. A thermistor (electronic temperature sensor) and moisture sensing strips in the dryer drum help measure the amount of moisture in the clothes as they tumble. An electronic control determines the load type to help save time, avoid overdrying, and increase the accuracy of the end dryness level. After the first 5 minutes of an automatic cycle, the estimated time display will adjust based on the approximate load size, cycle, dryness level selected and amount of moisture left in the clothes. When the clothes have reached approximately 80% of the dryness level selected, the estimated time display will adjust again, showing the final drying time. Auto Moisture Sensing Plus takes the guesswork out of drying time and enhances fabric care.

**To use a Timed Cycle**

**NOTE:** A light next to each feature will glow green when the feature is selected or will glow amber when the feature is selectable.

- Press a Timed Cycles button.
- Press MORE TIME or LESS TIME until the desired drying time is displayed. Tap MORE TIME or LESS TIME, and the time will change by 1-minute intervals. Press and hold MORE TIME or LESS TIME, and the time will change by 5-minute intervals.

**NOTE:** The More Time and Less Time buttons can be used only with Timed Cycles and the Touch Up Cycle.



- Press TEMPERATURE until the desired temperature glows.

**NOTE:** During a Timed Cycle, you can change the settings for Time, Temperature, WRINKLE GUARD® and End of Cycle Signal. Press STOP twice to stop the dryer and clear the settings. Select another cycle or option.

**To use a SteamCare Cycle**

**NOTE:** A light next to each feature will glow blue when the feature is selected or will glow amber when the feature is selectable.

- Use of a fabric softener sheet is not recommended with SteamCare cycles as it may cause temporary staining on clothes.

- Press the POWER button. Then rotate the dial to select the SteamCare Cycle. The indicator light for the selected cycle will glow blue. The preset modifiers for the selected cycle will glow green. Selectable options will glow amber. If an option or modifier is unavailable with the selected cycle, the light will not illuminate. The actual cycle time (in minutes) will show in the display.

- Press MORE TIME or LESS TIME until the desired drying time is displayed. Tap MORE TIME or LESS TIME, and the time will change by 1-minute intervals. Press and hold MORE TIME or LESS TIME, and the time will change by 5-minute intervals.

**NOTE:** The More Time and Less Time buttons can be used only with Timed Cycles and the Touch Up Cycle.



- Press TEMPERATURE until the desired temperature glows.

**NOTE:** During the Touch Up Cycle, you can change the settings for Time, Temperature, WRINKLE GUARD® and End of Cycle Signal. During the Refresh Cycle you can change WRINKLE GUARD® and the End of Cycle Signal. Press STOP twice to stop the dryer and clear the settings. Select another cycle or option.

- (OPTIONAL STEP) If desired, select OPTIONS. For more details, see "Options."
- (OPTIONAL STEP) If desired, set the End of Cycle Signal. Select LOUD or SOFT by pressing the Cycle Signal button to alert you when a cycle ends.
- Press and hold START for approximately 3 seconds until dryer starts. Be sure the door is closed.
  - If you do not press START within 5 minutes of selecting the cycle, the dryer automatically shuts off.
  - If you wish to end your drying cycle after pressing Start, press STOP twice.

**Stopping Your Dryer**

**To stop your dryer at any time**

Press STOP twice or open the door.

**Pausing or Restarting**

**To pause the dryer at any time**

Open the door or press STOP once.

**To restart the dryer**

Close the door. Press and hold START until dryer starts.

**NOTE:** Drying will continue from where the cycle was interrupted if you close the door and press Start within 5 minutes. If the cycle is interrupted for more than 5 minutes, the dryer will shut off. Select new cycle settings before restarting the dryer.

**Control Locked**

This feature allows you to lock your settings to avoid unintended use of the dryer. You can also use the Control Locked feature to avoid unintended cycle or option changes during dryer operation.

**To enable the Control Locked feature:**

Press and hold CYCLE SIGNAL for 3 seconds. The Control Locked indicator light glows, and a single beep tone is heard. To unlock, press and hold CYCLE SIGNAL for 3 seconds. The indicator light turns off.



## Drying and Cycle Tips

Select the correct cycle and dryness level or temperature for your load. If an Auto Cycle is running, the display shows the estimated cycle time, which is determined by your dryer automatically sensing the dryness level of your load. If a Timed Cycle or SteamCare Cycle is running, the display shows the exact number of minutes remaining in the cycle.

Cool Down tumbles the load without heat during the last few minutes of all cycles. Cool Down makes the loads easier to handle and reduces wrinkling. The length of the Cool Down depends on the load size and dryness level.

### Drying tips

- Follow care label directions when they are available.
- If desired, add a fabric softener sheet. Follow package instructions.
- To reduce wrinkling, remove the load from the dryer as soon as tumbling stops. This is especially important for permanent press, knits and synthetic fabrics.
- Avoid drying heavy work clothes together with lighter fabrics. This could cause overdrying of lighter fabrics and lead to increased shrinkage or wrinkling.

### Cycle tips

- Dry most loads using the preset cycle settings.
  - Refer to the Auto, Timed or SteamCare Cycles Preset Settings chart (in the “Cycles” section) for a guide to drying various loads.
  - Drying temperature and Dryness Level are preset when you choose an Auto Cycle. You can select a different dryness level, depending on your load, by pressing Dryness Level and choosing More Dry, Normal or Less Dry.
- NOTE:** You cannot use the Timed Cycle Adjust and you cannot modify temperature with the Auto Cycles.
- If you wish to adjust the cycle length of a Timed Cycle, press More Time or Less Time. Adjust the temperature of a Timed Cycle by pressing TEMPERATURE until the desired temperature is selected.

**NOTE:** You cannot use the Dryness Level with Timed or SteamCare Cycles.

## Status Lights

You may follow the progress of your dryer with the drying Status indicator lights.



### Timed Cycle

The Timed Cycle light glows green during a Timed Cycle.

### Wet

The Wet light glows green at the beginning of Auto Dry if a wet item is detected or in a timed cycle after 5 minutes.

- In an Auto Cycle, if a wet item is not detected after 5 minutes, the dryer will run for a preset minimum run time (based on the selected cycle and dryness level setting) and then go into Cool Down. The Cool Down and WRINKLE GUARD® indicators will glow green, if selected.

- In a Timed Cycle, the Wet light will glow green after 5 minutes and remain on until the dryer enters Cool Down.
- In a Steam Cycle, the Wet status light will glow green when the water is being dispensed onto the load.

### Damp

The Damp light glows green in an Auto Cycle when the laundry is approximately 80% dry. This is useful when you want to remove lightweight items in a mixed load to avoid overdrying or remove partially dry items that may need ironing. To be alerted when the load is about 80% dry, you may use the damp dry signal option. See Damp Dry Signal in “Options.” The Damp light glows green in a Steam Cycle after water is dispensed onto the load.

### Cool Down

The Cool Down light glows green during the cool down part of the cycle. Laundry cools for ease in handling.

### Clothes Dry

The Clothes Dry light glows green when the drying cycle is finished. This indicator stays on during WRINKLE GUARD®.

### WRINKLE GUARD®

The WRINKLE GUARD® light glows green when this option is selected. This indicator stays on with Clothes Dry.

### Sensing/Revising Est. Time

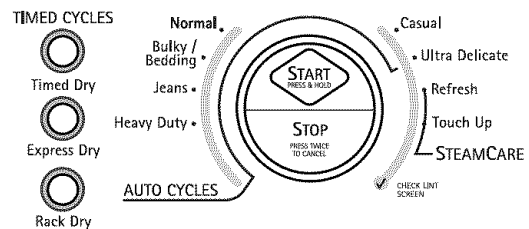
The Sensing/Revising Est. Time light glows green when moisture sensing strips in the dryer drum are measuring the amount of moisture in the clothes. The estimated time display may adjust to show a more accurate drying time.

### Indicator lights

Other indicator lights show Cycle, Options, Modifiers, End of Cycle and Control Lock settings selected. The display shows the estimated or actual time remaining.

## Cycles

Select the drying cycle that matches the type of load you are drying. See Auto Dry chart or Timed Preset Cycle Settings chart.



## Auto Cycles

Auto Cycles allow you to match the cycle to the load you are drying. See the following Auto Dry Preset Cycle Settings chart. Each cycle dries certain fabrics at the recommended temperature. A sensor detects the moisture in the load and automatically adjusts the drying time for optimal drying.

### Normal

Use this cycle to get medium heat for drying sturdy fabrics such as work clothes and sheets.

### Bulky/Bedding

Use this cycle to get medium heat for drying large items that require long drying times, such as jackets, comforters and pillows. Rearrange the load when the Damp Dry Signal sounds. This will aid in the drying process. The Damp Dry Signal is preset to ON. See "Options."

### Jeans

Use this cycle to get medium high heat for drying denims.

### Heavy Duty

Use this cycle to get high heat for heavyweight mixed loads, cotton towels or bedspreads.

### Casual

Use this cycle to get low heat for drying no-iron fabrics, such as sport shirts, casual business clothes and permanent press blends.

### Ultra Delicate

Use this cycle to get extra-low heat to gently dry items such as lingerie, blouses or washable knit fabrics.

#### Auto Dry Preset Cycle Settings

Auto Cycles Load Type	Temperature	Time* (Minutes)
<b>NORMAL</b> Corduroys, work clothes, sheets	Medium	40
<b>BULKY/BEDDING</b> Jackets, comforters, pillows	Medium	60
<b>JEANS</b> Denim jeans, jackets	Medium High	55
<b>HEAVY DUTY</b> Heavyweight mixed loads, cotton towels, bedspreads	High	45
<b>CASUAL</b> Permanent press, synthetics	Low	35
<b>ULTRA DELICATE</b> Lingerie, blouses, washable knit fabrics	Extra Low	30

\*Estimated Time with Auto Dry Level (Normal) setting. Time will vary dependings on load type and load size.

#### SteamCare Cycles

Use SteamCare Cycles to help smooth out wrinkles from dry items, such as clothes that have been worn or clothes that have been left in the dryer too long. When the SteamCare Cycle is selected, the estimated time remaining display shows the actual time remaining in the cycle.

**NOTE:** Results may vary depending on fabric. 100% cotton garments with wrinkle-free finish may yield better results than those without.

#### Refresh with SteamCare

This cycle is best for smoothing out wrinkles and reducing odors from loads consisting of one to four dry items of wrinkle-free cotton, cotton-polyester blend, common knits and synthetic garments. In this cycle a small amount of water is sprayed into the dryer drum after several minutes of tumbling with heat. The dryer will continue to tumble with heat followed by a brief cool down. The heat level and cycle time are not adjustable.

### Touch Up with SteamCare

This cycle is best for touching up clothes that have been left in the dryer too long. In this cycle, a small amount of water is sprayed into the dryer drum after several minutes of tumbling with heat. The dryer will continue to tumble with heat followed by a brief cool down. The dry time and temperature can be adjusted for this cycle.

**NOTE:** Overloading the dryer may not yield the same results.

#### SteamCare Preset Cycle Settings

Timed Cycles Load Type	Default Temperature*	Default Time (Minutes)*
<b>REFRESH</b> Helps to smooth out wrinkles and reduce odors from loads consisting of one to four dry items.	Medium High	15
<b>TOUCH UP</b> Helps to smooth out wrinkles in loads left in the dryer for an extended period.	Medium High	20

\*Temperature and time are selectable only for the Touch Up Cycle.

**NOTE:** The Touch Up cycle has a minimum dry time of 15 minutes and a maximum dry time of 40 minutes. Only the Medium, Medium High, and High temperature settings can be used for the Touch Up cycle.

#### Timed Cycles

Use Timed Cycles to select a specific amount of drying time and a drying temperature. When a Timed Cycle is selected, the Estimated Time Remaining display shows the actual time remaining in your cycle. You can change the actual time in the cycle by pressing More Time or Less Time. See "Changing Cycles, Options and Modifiers."

#### Timed Dry

Use this cycle to complete drying if items are still damp after an Auto Cycle. Timed Dry is also useful for drying heavyweight and bulky items, such as bedspreads and work clothes. Lightweight garments, such as exercise wear, can be dried using Timed Dry on a low temperature setting.

Use Timed Dry/Air Dry cycles for items that require drying without heat such as rubber, plastic and heat-sensitive fabrics. This table shows examples of items that can be dried using Timed Dry/Air Dry cycles.

Type of Load	Default Temperature	Time* (Minutes)
Foam rubber - pillows, padded bras, stuffed toys	Air Dry	20 - 30
Plastic - Shower curtains, tablecloths	Air Dry	20 - 30
Rubber-backed rugs	Air Dry	40 - 50
Olefin, polypropylene, sheer nylon	Air Dry	10 - 20

\*Reset cycle to complete drying, if needed.

## When using Timed Dry/Air Dry

- Check that coverings are securely stitched.
- Shake and fluff pillows by hand periodically during the cycle.
- Dry item completely. Foam rubber pillows are slow to dry.

## EXPRESS DRY™

Use this cycle for drying small loads or loads that need a short drying time.

## Rack Dry

Press the Rack Dry button to use this cycle with the drying rack to dry clothes or items with low heat without tumbling. See “TUMBLE FREE™ Heated Dryer Rack.”

## Timed Preset Cycle Settings

Timed Cycles Load Type	Default Temperature	Default Time (Minutes)
<b>TIMED DRY</b> Heavyweight, bulky items, bedspreads, work clothes	High	40
<b>EXPRESS DRY™</b> Small loads	High	23
<b>RACK DRY</b> Dry without tumbling	Low	30

## Options

You can customize your cycles by selecting options. Not all Options are available with all cycles. Current selections will glow green. If an option is unavailable with a selected cycle, the light will not illuminate when pressed and an error sound will be heard.



## WRINKLE GUARD®

WRINKLE GUARD® helps smooth out wrinkles that form when you cannot unload the dryer promptly at the end of a cycle. During this option, the dryer stops tumbling and then tumbles again for a brief period.

- Press WRINKLE GUARD® to get up to 2½ hours of heat-free, periodic tumbling at the end of a cycle.
- Stop WRINKLE GUARD® at any time by pressing WRINKLE GUARD® or opening the dryer door.
- For the Casual cycle, WRINKLE GUARD® is preset to ON. The other cycles will retain the WRINKLE GUARD® setting. For example, if you select WRINKLE GUARD® in the Normal cycle, WRINKLE GUARD® will be on the next time you select the Normal cycle.

**NOTE:** If you do not select WRINKLE GUARD®, the dryer stops after cool down.

## Damp Dry Signal

Select the Damp Dry Signal to alert you that your clothes are approximately 80% dry. This is useful when you want to remove lightweight items in a mixed load to avoid overdrying or remove partially dry items that may need ironing.

The Damp Dry Signal is useful when drying bedsheets/linens in a mixed load or large items in the “Bulky/Bedding” cycle. When the signal goes off, open the door to stop the dryer, rearrange the load inside the dryer, close the door and restart the dryer to finish the drying cycle. Rearranging the load will aid in the drying process.

For the “Bulky/Bedding” cycle, the Damp Dry Signal is preset to ON.

**NOTE:** The Damp Dry Signal is available only with the Auto Cycles.

## Button Sounds

You can change the volume of the sound of the beeps. Press BUTTON SOUNDS until the desired volume (Loud, Soft or Off) glows. The Power and Cancel buttons will still beep softly when the Button Sounds volume is set to Off.

## Drum Light

Press Drum Light to turn on the light inside the dryer drum. During a cycle, if Drum Light is selected, the drum light turns on and will remain on until DRUM LIGHT is pressed again, the door is open and closed, or the door is left open for 5 minutes.

When the dryer is not running, the drum light will turn on when DRUM LIGHT is pressed or the dryer door is opened, and it will remain on until the dryer door has been open for 5 minutes, the dryer door is closed or DRUM LIGHT is pressed again.

Press DRUM LIGHT at any time to turn the drum light ON or OFF.

## Modifiers

Use Modifiers to select time, temperatures and dryness levels for the Timed Cycles. Not all Modifiers are available with all options and cycles. Available modifier settings will glow amber. Current selections will glow green. If a modifier is unavailable with a selected cycle, the light will not illuminate.

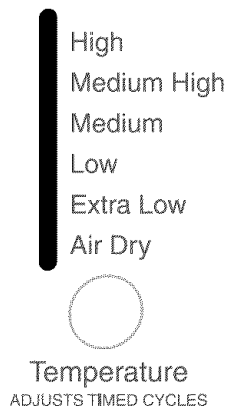
## Time

Press MORE TIME or LESS TIME until the desired drying time is displayed. The time cannot be changed with Auto Cycles.



## Temperature

Press TEMPERATURE until the desired temperature setting glows. Temperature modifiers cannot be used with the Auto Cycles or with Rack Dry or Air Fluff cycles.



## Dryness Level

Press DRYNESS LEVEL until the desired Dryness Level is selected. Dryness Level cannot be adjusted with Timed Cycles.



## Changing Cycles, Options and Modifiers

You can change Auto Cycles, Timed Cycles, Modifiers and Options anytime before pressing Start.

- Three short tones sound if an unavailable combination is selected. The last selection will not be accepted.

### Changing Cycles after pressing Start

1. Press STOP twice. This ends the current cycle.
2. Select the desired cycle and options.
3. Press and hold START. The dryer starts at the beginning of the new cycle.

**NOTE:** If you do not press START within 5 minutes of selecting the cycle, the dryer automatically shuts off.

### Changing Modifiers and Options after pressing Start

You can change a Modifier or Option anytime before the selected Modifier or Option begins.

1. Press STOP once.
2. Select the new Modifier and/or Option.
3. Press and hold START to continue the cycle.

**NOTE:** If you happen to press Stop twice, the program clears and your dryer shuts down. Restart the selection process.

### Changing the Preset Dryness Level Settings

If all of your loads on all Auto Dry cycles are consistently not as dry as you would like, you may change the preset Dryness Level settings to increase the dryness. This change will affect all of your Auto Dry cycles.

Your Dryness Level settings can be adjusted to adapt to different installations, environmental conditions or personal preference. There are 3 drying settings: 1 (factory preset dryness level), 2 (slightly dryer clothes, approximately 15% more drying time) and 3 (much dryer clothes, approximately 30% more drying time).

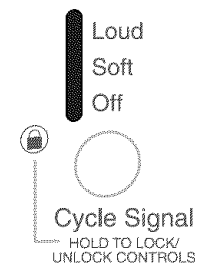
1. The Dryness Level settings cannot be changed while the dryer is running.
2. Press and hold the DRYNESS LEVEL button for 5 seconds. The dryer will beep, and "CF" will be displayed for 1 second followed by the current drying setting.
3. To select a new drying setting, press the DRYNESS LEVEL button again until the desired drying setting is shown.  
**NOTE:** While cycling through the settings, the current setting will not flash, but the other settings will flash.
4. Press START to save the drying setting.

The drying setting you selected will become your new preset drying setting for all Auto Dry cycles.

## End of Cycle Signal

### End of Cycle Signal

The End of Cycle Signal produces an audible sound when the drying cycle is finished. Promptly removing clothes at the end of the cycle reduces wrinkling.



Press CYCLE SIGNAL to adjust the sound level or turn off the signal.

**NOTE:** When WRINKLE GUARD® is selected and the End of Cycle Signal is on, a tone sounds every 5 minutes until the clothes are removed, or WRINKLE GUARD® ends.

## TUMBLE FREE™ Heated Dryer Rack

The dryer rack is shipped in place in your dryer. Remove and discard any packing material before use.

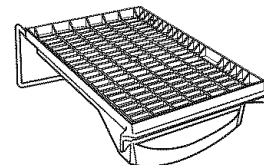
Use the TUMBLE FREE™ Heated Dryer Rack for items that you do not want to tumble dry, such as sweaters. When you use the heated dryer rack, the heated air inside the dryer flows in a concentrated pattern to allow efficient and uniform drying.

The dryer rack is recommended for use with the Rack Dry or Air Fluff cycles. The dryer rack cannot be used with Auto cycles.

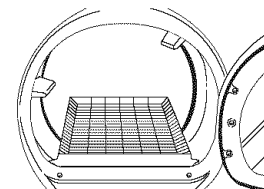
### To use the heated dryer rack:

Do not remove the lint screen.

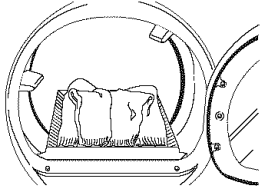
1. Open dryer door.



2. Place dryer rack over the bottom of the dryer door opening. Rest the back wire on the dryer back ledge. Push down on the frame front to secure over lint screen.



- Place wet items on top of the rack. Allow space around items for air to circulate. The rack does not move, but the drum will rotate. Make sure items do not hang over the edges or between rack grille.



- Close the door.
- Select a Timed Dry/Air Dry Cycle. Items containing foam, rubber or plastic must be dried on a clothesline or by using the Timed Dry/Air Dry cycle. Refer to the following table.
- When these cycles are selected, the Estimated Time Remaining display shows the default time. You can change the actual time in the cycle by pressing More Time or Less Time.
- Start the dryer.

**NOTE:** Check the lint screen and remove any lint accumulated from items dried on the rack after the cycle is finished.

Dryer Rack	Cycle	Temp.	Time*
<b>Wool Sweaters</b> Block to shape and lay flat on the rack	Rack Dry	Low	60
<b>Stuffed toys or pillows</b> Cotton or polyester fiber filled	Rack Dry	Low	60
<b>Stuffed toys or pillows</b> Foam rubber filled	Timed Dry	Air Dry (no heat)	90
<b>Sneakers or canvas shoes</b>	Timed Dry	Air Dry (no heat)	90

\*Reset cycle to complete drying if needed.

**NOTE:** You must remove rack for normal tumbling. To remove the dryer rack, lift it straight up and out of the dryer

## DRYER CARE

### Cleaning the Dryer Location

Keep dryer area clear and free from items that would obstruct the flow of combustion and ventilation air.

### **WARNING**



#### Explosion Hazard

Keep flammable materials and vapors, such as gasoline, away from dryer.

Place dryer at least 18 inches (46 cm) above the floor for a garage installation.

Failure to do so can result in death, explosion, or fire.

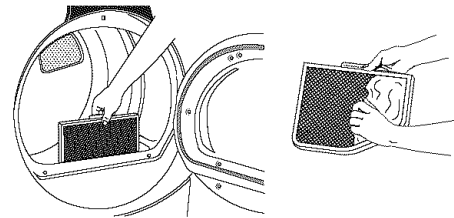
### Cleaning the Lint Screen

#### Every load cleaning

The lint screen is located in the door opening of the dryer. The control panel has an indicator light to remind you to clean the lint screen before or after each load. A screen blocked by lint can increase drying time.

#### To clean

- Pull the lint screen straight up. Roll lint off the screen with your fingers. Do not rinse or wash screen to remove lint. Wet lint is hard to remove.



- Push the lint screen firmly back into place.

#### IMPORTANT:

- Do not run the dryer with the lint screen loose, damaged, blocked, or missing. Doing so can cause overheating and damage to both the dryer and fabrics.
- If lint falls off the screen into the dryer during removal, check the exhaust hood and remove the lint. See "Venting Requirements."

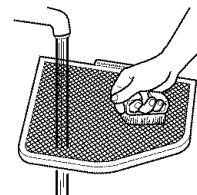
#### As needed cleaning

Laundry detergent and fabric softener residue can build up on the lint screen. This buildup can cause longer drying times for your clothes, or cause the dryer to stop before your load is completely dry. The screen is probably clogged if lint falls off the screen.

Clean the lint screen with a nylon brush every 6 months, or more frequently, if it becomes clogged due to a residue buildup.

#### To wash

- Roll lint off the screen with your fingers.
- Wet both sides of lint screen with hot water.
- Wet a nylon brush with hot water and liquid detergent. Scrub lint screen with the brush to remove residue buildup.



4. Rinse screen with hot water.
5. Thoroughly dry lint screen with a clean towel. Replace screen in dryer.

---

## Cleaning the Dryer Interior

### To clean dryer drum

1. Make a paste with powdered laundry detergent and very warm water.
2. Apply paste to a soft cloth.  
**OR**  
Apply a liquid, nonflammable household cleaner to the stained area and rub with a soft cloth until all excess dye and stains are removed.
3. Wipe drum thoroughly with a damp cloth.
4. Tumble a load of clean cloths or towels to dry drum.

**NOTE:** Garments that contain unstable dyes, such as denim blue jeans or brightly colored cotton items, may discolor the dryer interior. These stains are not harmful to your dryer and will not stain future loads of clothes. Dry unstable dye items inside out to avoid transfer of dye.

---

## Removing Accumulated Lint

### From Inside the Dryer Cabinet

Lint should be removed every 2 years, or more often, depending on dryer usage. Cleaning should be done by a qualified person.

### From the Exhaust Vent

Lint should be removed every 2 years, or more often, depending on dryer usage.

---

## Water Inlet Hoses

Replace inlet hoses and hose screen after 5 years of use to reduce the risk of hose failure. Periodically inspect and replace inlet hoses if bulges, kinks, cuts, wear or leaks are found.

When replacing your inlet hoses, record the date of replacement.

---

## Vacation, Storage and Moving Care

Install and store your dryer where it will not freeze. Because some water may stay in the hoses, freezing can damage your dryer. If storing or moving your dryer during freezing weather, winterize it.

---

### Non-Use or Vacation Care

Operate your dryer only when you are at home. If you will be on vacation or not using your dryer for an extended period of time you should:

1. Unplug dryer and disconnect power.
2. Close shutoff valve in gas supply line.
3. Clean lint screen. See "Cleaning the Lint Screen."
4. Turn off the water supply to the dryer. This helps to avoid unintended flooding (due to a water pressure surge) while you are away.

---

### To Winterize Dryer

1. Unplug dryer or disconnect power.
2. Shut off water faucet.
3. Close shutoff valve in gas supply line.
4. Disconnect water inlet hose from faucet and drain.

---

### To use dryer again

1. Flush water pipes. Reconnect water inlet hose to faucet. Turn on water faucet.
2. Plug in dryer or reconnect power.
3. Open valve to gas supply line.

---

### Moving care

1. Unplug the power supply cord.
2. Shut off water faucet.
3. Disconnect the water inlet hose from faucet, then drain the hose. Transport hose separately.
4. Close shutoff valve in gas supply line.
5. Disconnect gas supply line pipe and remove fittings attached to dryer pipe.
6. Cap the open fuel supply line.
7. Make sure leveling legs are secure in dryer base.
8. Use masking tape to secure dryer door.

---

### Reinstalling the dryer

Follow the "Installation Instructions" to locate, level and connect the dryer.

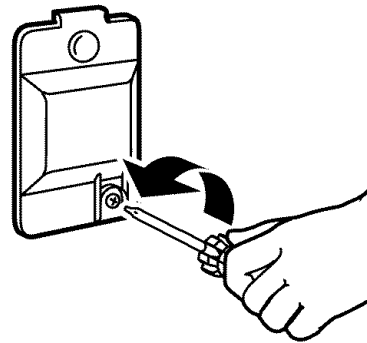
---

## Changing the Drum Light

The dryer light automatically turns on inside the dryer drum when you open the door.

### To change the drum light

1. Unplug dryer or disconnect power.
2. Open the dryer door. Locate the light bulb cover on the back wall of the dryer. Remove the screw located in the lower right corner of the cover. Remove the cover.



3. Turn bulb counterclockwise. Replace the bulb with a 10-watt appliance bulb only. Replace the cover and secure with the screw.
4. Plug in dryer or reconnect power.

# TROUBLESHOOTING

First try the solutions suggested here and possibly avoid the cost of a service call...

## Dryer Operation

### Dryer will not run

- **Has a household fuse blown, or circuit breaker tripped?**  
Replace the fuse or reset the circuit breaker. If the problem continues, call an electrician.
- **Was a regular fuse used?**  
Use a time-delay fuse.
- **Is the dryer door firmly closed?**  
If the top of the door does not latch when you push the start button, the control will beep 3 times. Open door, reclose firmly and start the dryer.
- **Was the Start button firmly pressed?**  
Large loads may require pressing and holding the Start button for 2-5 seconds.

### No heat

- **Has a household fuse blown, or has a circuit breaker tripped?**  
The drum may be turning, but you may not have heat. Replace the fuse or reset the circuit breaker. If the problem continues, call an electrician.
- **Is the valve open on the gas supply line?**

### Unusual sounds

- **Has the dryer had a period of non-use?**  
If the dryer hasn't been used for a while, there may be a thumping sound during the first few minutes of operation.
- **Is it a gas dryer?**  
The gas valve clicking is a normal operating sound.
- **Is a coin, button, or paper clip caught between the drum and front or rear of the dryer?**  
Check the front and rear edges of the drum for small objects. Clean out pockets before laundering.
- **Are the four legs installed, and is the dryer level front to back and side to side?**  
The dryer may vibrate if not properly installed. See the Installation Instructions.
- **Is the clothing knotted or balled up?** When balled up, the load will bounce, causing the dryer to vibrate. Separate the load items, and restart the dryer.

### Dryer displaying code message

- **"PF" (power failure), check the following:**  
Was the drying cycle interrupted by a power failure? Press and hold START to restart the dryer.
- **"F" Variable (F1, F2, F20) service codes:**  
Call for service.

## Dryer Results

### Clothes are not drying satisfactorily, drying times are too long, or load is too hot

- **Is the lint screen clogged with lint?**  
Lint screen should be cleaned before each load.

## ⚠ WARNING



### Fire Hazard

Use a heavy metal vent.

Do not use a plastic vent.

Do not use a metal foil vent.

Failure to follow these instructions can result in death or fire.

- **Is the exhaust vent or outside exhaust hood clogged with lint, restricting air movement?**  
Run the dryer for 5-10 minutes. Hold your hand under the outside exhaust hood to check air movement. If you do not feel air movement, clean exhaust system of lint or replace exhaust vent with heavy metal or flexible metal vent. See the Installation Instructions.
- **Are fabric softener sheets blocking the lint screen grille?**  
Use only one fabric softener sheet, and use it only once.
- **Is the exhaust vent the correct length?**  
Check that the exhaust vent is not too long or has too many turns. Long venting will increase drying times. See the Installation Instructions.
- **Is the exhaust vent diameter the correct size?**  
Use 4" (10.2 cm) diameter vent material.

## ⚠ WARNING



### Explosion Hazard

Keep flammable materials and vapors, such as gasoline, away from dryer.

Place dryer at least 18 inches (46 cm) above the floor for a garage installation.

Failure to do so can result in death, explosion, or fire.

- **Is the dryer located in a room with temperature below 45°F (7°C)?**  
Proper operation of dryer cycles requires temperatures above 45°F (7°C).
- **Is the dryer located in a closet?**  
Closet doors must have ventilation openings at the top and bottom of the door. For most installations, the rear of the dryer requires 5" (12.7 cm). See the Installation Instructions.
- **Has an air dry modifier been selected?**  
Select the right temperature for the types of garments being dried. See "Modifiers."
- **Is the load too large and heavy to dry quickly?**  
Separate the load to tumble freely.

### Cycle time too short

## ⚠ WARNING

### Excessive Weight Hazard

Use two or more people to move and install dryer.

Failure to do so can result in back or other injury.

- **Is the automatic cycle ending early?**  
The load may not be contacting the sensor strips. Level the dryer.  
  
Change the dryness level setting on Automatic Cycles. Increasing or decreasing the dryness level will change the amount of drying time in a cycle.  
  
Do not use a dryer rack with an Automatic Cycle.

### Lint on load

- **Is the lint screen clogged?**  
Clean lint screen. Check for air movement.

### Stains on load or drum

- **Was dryer fabric softener properly used?**  
Add dryer fabric softener sheets at the beginning of the cycle. Fabric softener sheets added to a partially dried load can temporarily stain your garments. Do not use fabric softener sheets with SteamCare cycles.
- Drum stains are caused by dyes in clothing (usually blue jeans). This will not transfer to other clothing.

### Loads are wrinkled

- **Was the load removed from dryer at the end of the cycle?**  
Select Touch Up Cycle to tumble the load with water and heat to help smooth out wrinkles from a load left in the dryer.
- **Was the dryer overloaded?**  
Dry smaller loads that can tumble freely. Smaller loads of 1-4 garments yield best results with Refresh Cycle. Results may also vary depending on fabric type. This cycle is best for reducing wrinkles and odors from loads consisting of wrinkle-free cotton, cotton polyester blends, common knits and synthetics.
- **Loads are still wrinkled following SteamCare cycle?**  
Make sure water is connected to the dryer. Check that water inlet hose is connected to both the faucet and dryer's water inlet valve. Check that the water supply is turned on. This cycle is best for smoothing out wrinkles and reducing odors from loads consisting of wrinkle-free cotton, cotton polyester blends, common knits and synthetic garments.  
  
**NOTE:** Refer to garment care label instructions. Dry clean only garments are not recommended.

### Odors

- **Have you recently been painting, staining or varnishing in the area where your dryer is located?**  
If so, ventilate the area. When the odors or fumes are gone from the area, rewash and dry the clothing.
- **Is water connected to the dryer?**  
Check that water inlet hose is connected to both the faucet and dryer's water inlet valve. Check that the water supply is turned on.
- To remove odors left in garments after wearing, select Refresh Cycle for small loads of 1-4 garments.



# PROTECTION AGREEMENTS

## Master Protection Agreements

*Congratulations on making a smart purchase.* Your new Kenmore® product is designed and manufactured for years of dependable operation. But like all products, it may require preventive maintenance or repair from time to time. That's when having a Master Protection Agreement can save you money and aggravation.

The Master Protection Agreement also helps extend the life of your new product. Here's what the Agreement\* includes:

- ✓ **Parts and labor** needed to help keep products operating properly **under normal use**, not just defects. Our coverage goes **well beyond the product warranty**. No deductibles, no functional failure excluded from coverage— **real protection**.
- ✓ **Expert service** by a force of more than 10,000 authorized **Sears service technicians**, which means someone you can trust will be working on your product.
- ✓ **Unlimited service calls and nationwide service**, as often as you want us, whenever you want us.
- ✓ **"No-lemon" guarantee** – replacement of your covered product if four or more product failures occur within twelve months.
- ✓ **Product replacement** if your covered product can't be fixed.
- ✓ **Annual Preventive Maintenance Check** at your request – no extra charge.
- ✓ **Fast help by phone** – we call it **Rapid Resolution** – phone support from a Sears representative on all products. Think of us as a "talking owner's manual."

- ✓ **Power surge protection** against electrical damage due to power fluctuations.
- ✓ **\$250 Food Loss Protection** annually for any food spoilage that is the result of mechanical failure of any covered refrigerator or freezer.
- ✓ **Rental reimbursement** if repair of your covered product takes longer than promised.
- ✓ **10% discount** off the regular price of any non-covered repair service and related installed parts.

Once you purchase the Agreement, a simple phone call is all that it takes for you to schedule service. You can call anytime day or night, or schedule a service appointment online.

The Master Protection Agreement is a risk free purchase. If you cancel for any reason during the product warranty period, we will provide a full refund. Or, a prorated refund anytime after the product warranty period expires. Purchase your Master Protection Agreement today!

**Some limitations and exclusions apply. For prices and additional information in the U.S.A. call 1-800-827-6655.**

**\*Coverage in Canada varies on some items. For full details call Sears Canada at 1-800-361-6665.**

## Sears Installation Service

For Sears professional installation of home appliances, garage door openers, water heaters, and other major home items, in the U.S.A. or Canada call **1-800-4-MY-HOME®**.

---

## Notes

# ÍNDICE

<b>GARANTÍA</b> .....	<b>28</b>	Pausa o reanudación de la marcha .....	45
<b>SEGURIDAD DE LA SECADORA</b> .....	<b>29</b>	Control bloqueado (Control Locked) .....	45
<b>INSTRUCCIONES DE INSTALACIÓN</b> .....	<b>30</b>	Sugerencias de ciclos y secado .....	45
Herramientas y piezas .....	30	Luces de estado.....	45
Pedestal opcional .....	31	Ciclos.....	46
Requisitos de ubicación .....	31	Opciones .....	48
Requisitos eléctricos.....	33	Modificadores .....	49
Requisitos del suministro de gas.....	34	Cambio de ciclos, opciones y modificadores .....	49
Requisitos de ventilación.....	35	Señal de fin de ciclo .....	50
Planificación del sistema de ventilación.....	36	Estante térmico de la secadora TUMBLE FREE™.....	50
Instalación del sistema de ventilación.....	37	<b>CUIDADO DE LA SECADORA</b> .....	<b>51</b>
Instalación de las patas niveladoras.....	37	Limpieza del lugar donde está la secadora.....	51
Conexión del ducto de escape.....	38	Limpieza del filtro de pelusa .....	51
Conexión de las mangueras de entrada .....	38	Limpieza del interior de la secadora .....	51
Nivelación de la secadora .....	39	Eliminación de pelusa acumulada .....	51
Conexión del suministro de gas .....	39	Mangueras de entrada de agua.....	52
Inversión del cierre de la puerta .....	40	Cuidado durante las vacaciones, el almacenamiento y las mudanzas .....	52
Complete la instalación .....	42	Cambio de la luz del tambor.....	52
<b>USO DE LA SECADORA</b> .....	<b>43</b>	<b>SOLUCIÓN DE PROBLEMAS</b> .....	<b>53</b>
Puesta en marcha de la secadora.....	43	<b>CONTRATOS DE PROTECCIÓN</b> .....	<b>55</b>
Detención de la marcha de la secadora.....	45	<b>NÚMEROS DE SERVICIO</b> .....	<b>CONTRAPORTADA</b>

# GARANTÍA DE LOS ELECTRODOMÉSTICOS KENMORE ELITE®

## GARANTÍA LIMITADA DE UN AÑO

Cuando este electrodoméstico haya sido instalado, operado y mantenido según las instrucciones provistas con el producto, si este electrodoméstico falla por defectos de material o de mano de obra dentro de un año a partir de la fecha de compra, llame al 1-800-4-MY-HOME® para gestionar la reparación libre de cargo.

## GARANTÍA LIMITADA DE DOS AÑOS PARA EL TABLERO ELECTRÓNICO SENSOR SMART™

Durante dos años a partir de la fecha de compra, siempre y cuando esta secadora haya sido instalada, operada y mantenida de conformidad con todas las instrucciones provistas con el producto, Sears reemplazará el tablero de control electrónico si tuviera defectos en los materiales o en la mano de obra. Después del primer año, el cliente asume la responsabilidad por cualquier costo de mano de obra relativa al reemplazo de estas refacciones.

Si este electrodoméstico es empleado para algún otro uso que no sea el doméstico familiar, esta garantía sólo tiene vigencia por 90 días a partir de la fecha de compra.

## ESTA GARANTÍA CUBRE SOLAMENTE LOS DEFECTOS DE MATERIAL Y MANO DE OBRA. SEARS NO PAGARÁ POR LO SIGUIENTE:

1. Los artículos no reutilizables que pueden gastarse por el uso normal, incluyendo, pero sin limitación, filtros, correas, focos y bolsas.
2. Un técnico de servicio para enseñarle al usuario cómo instalar, operar o mantener el producto adecuadamente.
3. Un técnico de servicio para limpiar o mantener este producto.
4. Daños a este producto o fallas del mismo en caso de no ser instalado, operado o mantenido conforme a todas las instrucciones provistas con el producto.
5. Daños a este producto o fallas del mismo como resultado de accidente, abuso, uso indebido o un uso diferente de aquel para el cual fue creado.
6. Daños a este producto o fallas del mismo causados por el uso de detergentes, limpiadores, productos químicos o utensilios diferentes de los recomendados en todas las instrucciones provistas con el producto.
7. Daños a piezas o sistemas o fallas de los mismos como resultado de modificaciones no autorizadas que se hayan efectuado en este producto.

## EXCLUSIÓN DE GARANTÍAS IMPLÍCITAS; LIMITACIÓN DE RECURSOS

El único y exclusivo recurso del cliente según los términos de esta garantía limitada será el de reparar el producto según se estipula en la presente. Las garantías implícitas, incluyendo las garantías de comerciabilidad o de capacidad para un propósito particular, serán limitadas a un año o al período más corto permitido por ley. Sears no se hará responsable por daños incidentales o consecuentes. Algunos estados y provincias no permiten la exclusión o limitación de daños incidentales o consecuentes, o limitaciones acerca de cuánto debe durar una garantía implícita de comerciabilidad o capacidad, de modo que las limitaciones o exclusiones arriba mencionadas pueden no aplicarse en su caso.

Esta garantía se aplica sólo mientras este electrodoméstico se usa en los Estados Unidos y Canadá.

Esta garantía le otorga derechos legales específicos, y es posible que usted tenga también otros derechos, los cuales varían de un estado a otro.

**Sears, Roebuck and Co.**  
Dept. 817WA, Hoffman Estates, IL 60179

**Sears Canada Inc.**  
Toronto, Ontario, Canada M5B 2B8

## REGISTRO DEL PRODUCTO

En el espacio a continuación, anote el número completo de modelo y serie así como la fecha de compra. Usted puede encontrar esta información en la etiqueta con el número de modelo y de serie ubicada en el producto.

Tenga esta información disponible para facilitarle la obtención de asistencia o servicio con prontitud siempre que llame a Sears con respecto a su electrodoméstico.

Número de modelo \_\_\_\_\_

Número de serie \_\_\_\_\_

Fecha de compra \_\_\_\_\_

**Guarde estas instrucciones y su comprobante de compra para referencia futura.**

# SEGURIDAD DE LA SECADORA

## Su seguridad y la seguridad de los demás es muy importante.

Hemos incluido muchos mensajes importantes de seguridad en este manual y en su electrodoméstico. Lea y obedezca siempre todos los mensajes de seguridad.



Este es el símbolo de advertencia de seguridad.

Este símbolo le llama la atención sobre peligros potenciales que pueden ocasionar la muerte o una lesión a usted y a los demás.

Todos los mensajes de seguridad irán a continuación del símbolo de advertencia de seguridad y de la palabra "PELIGRO" o "ADVERTENCIA". Estas palabras significan:

**⚠ PELIGRO**

Si no sigue las instrucciones de inmediato, usted puede morir o sufrir una lesión grave.

**⚠ ADVERTENCIA**

Si no sigue las instrucciones, usted puede morir o sufrir una lesión grave.

Todos los mensajes de seguridad le dirán el peligro potencial, le dirán cómo reducir las posibilidades de sufrir una lesión y lo que puede suceder si no se siguen las instrucciones.

**ADVERTENCIA:** Para su seguridad, la información en este manual debe ser observada para minimizar el riesgo de incendio o explosión, o para prevenir daños a propiedades, heridas o la muerte.

- No almacene o use gasolina u otros líquidos y vapores inflamables cerca de éste u otro aparato electrodoméstico.
- **PASOS QUE USTED DEBE SEGUIR SI HUELE A GAS:**
  - No trate de encender ningún aparato electrodoméstico.
  - No toque ningún interruptor eléctrico; no use ningún teléfono en su edificio.
  - Desaloje a todos los ocupantes del cuarto, edificio o área.
  - Llame inmediatamente a su proveedor de gas desde el teléfono de un vecino. Siga las instrucciones de su proveedor de gas.
  - Si usted no puede comunicarse con su proveedor de gas, llame al departamento de bomberos.
- La instalación y el servicio deben ser efectuados por un instalador calificado, una agencia de servicio o por el proveedor de gas.

En el estado de Massachusetts se aplican las siguientes instrucciones de instalación:

- Las instalaciones y reparaciones se deben efectuar por un contratista, plomero o gasista calificado o licenciado por el estado de Massachusetts.
- Si se usa una válvula de bola, debe ser un tipo de manigueta T.
- Si se usa un conector de gas flexible no debe exceder de 3 pies.

## INSTRUCCIONES IMPORTANTES DE SEGURIDAD

**ADVERTENCIA:** A fin de reducir el riesgo de incendio, descarga eléctrica o de daño a las personas que usen la secadora, deben seguirse las precauciones básicas, incluidas las siguientes:

- Lea todas las instrucciones antes de usar la secadora.
- No coloque los objetos expuestos a aceite para cocinar en su secadora. Los objetos expuestos a aceites para cocinar pueden contribuir a una reacción química que podría causar que una carga se inflame.
- No seque artículos que ya se hayan limpiado, lavado, remojado o manchado con gasolina, disolventes de limpieza en seco, u otras sustancias inflamables o explosivas ya que despiden vapores que pueden encenderse o causar una explosión.
- No permita que jueguen los niños sobre o dentro de la secadora. Es necesaria la cuidadosa vigilancia de los niños toda vez que se use la secadora cerca de ellos.
- Quite la puerta de la secadora al compartimiento de secado antes de ponerla fuera de funcionamiento o de descartarla.
- No introduzca las manos en la secadora cuando el tambor está en movimiento.
- No instale o almacene esta secadora donde estará expuesta a agua o a la intemperie.
- No trate de forzar los controles.
- No repare o reemplace ninguna pieza de la secadora ni trate de repararla a menos que esto se recomiende específicamente en el Manual del propietario o en instrucciones de reparación publicadas para el usuario que usted comprenda y sólo si cuenta con la experiencia necesaria para llevar a cabo dicha reparación.
- No utilice suavizadores de tejidos o productos para eliminar el estático de prendas a menos que lo recomiende el fabricante del suavizador de tejidos o las instrucciones del producto en uso.
- No utilice calor para secar prendas que contengan espuma de caucho o materiales de caucho con textura similar.
- Limpie el filtro de pelusa antes o después de cada carga de ropa.
- Mantenga el área alrededor de la apertura de ventilación y las áreas adyacentes a esta apertura sin pelusa, polvo o tierra.
- La parte interior de la secadora y el ducto de escape se deben limpiar periódicamente. Esta limpieza la debe llevar a cabo un reparador calificado.
- Vea la instrucciones de instalación para los requisitos de conexión a tierra.

### GUARDE ESTAS INSTRUCCIONES

**IMPORTANTE:** La instalación de gas debe hacerse de acuerdo con los códigos locales, o si no los hay, con el Código Nacional de Gas Combustible (National Fuel Gas Code), ANSI Z223.1/NFPA 54.

La secadora debe estar conectada a tierra de acuerdo con los códigos locales, o si no los hay, con el Código Nacional de Electricidad (National Electrical Code), ANSI/NFPA 70.

## INSTRUCCIONES DE INSTALACIÓN

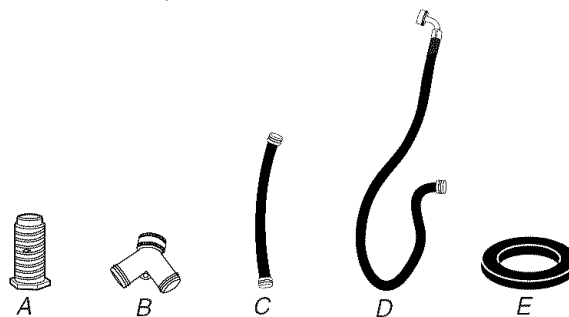
### Herramientas y piezas

Reúna las herramientas y piezas necesarias antes de comenzar la instalación. Lea y siga las instrucciones provistas con cualquiera de las herramientas enlistadas aquí.

- Llave para tubos de 8" ó 10"
- Llave de tuercas ajustable de 8" ó 10" (para conexiones de gas)
- Destornillador de hoja plana
- Llave de tuercas ajustable que se abra a 1" (2,54 cm) o una llave de cubo de cabeza hexagonal (para regular las patas de la secadora)
- Llave para tuercas de ¼" o llave de cubo
- Nivel
- Abrazaderas para ducto
- Cuchillo
- Pegamento para tuberías resistente a gas LP
- Pistola y masilla para calafateo (para instalar el nuevo ducto de escape)
- Pinzas
- Cinta para medir

### Piezas suministradas

Retire el paquete de piezas del tambor de la secadora. Verifique que estén todas las piezas.



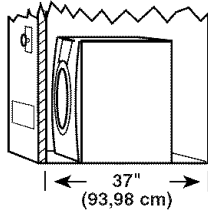
- A. Patas niveladoras (4)
- B. Conector en "Y"
- C. Manguera de entrada corta
- D. Manguera de entrada con conector en ángulo recto
- E. Arandela de goma

**NOTA:** No use patas niveladoras si va a instalar la secadora sobre un pedestal.

## Piezas necesarias

Verifique los códigos locales y con la compañía abastecedora de gas. Verifique el suministro de gas existente, el suministro eléctrico, la ventilación y lea "Requisitos eléctricos", "Requisitos del suministro de gas" y "Requisitos de ventilación" antes de comprar las piezas.

- Para instalaciones de espacio limitado entre 31,5" (80,01 cm) y 37" (93,98 cm), vea la sección "Planificación del sistema de ventilación" para obtener los requisitos de ventilación.



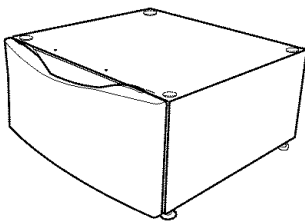
Las instalaciones en casas rodantes requieren piezas especiales (enlistadas a continuación) disponibles para la compra en su tienda local de Sears o en un Centro de servicio Sears. Para más información, llame por favor al **1-800-4-MY-HOME®** (1-800-469-4663).

- Juego de instalación para casas rodantes. Pida la pieza número 346764.
- Herramientas para el sistema de ventilación de metal.

## Pedestal opcional

¿Va a colocar la secadora en un pedestal? Usted tiene la opción de comprar por separado pedestales de alturas diferentes para esta secadora. Puede seleccionar un pedestal de 10" (25,4 cm) o uno de 15,5" (39,4 cm) con un cajón de almacenamiento. El pedestal se agregará a la altura total de la secadora para llegar a una altura total de aproximadamente 46" (116,8 cm) ó 51,5" (130,8 cm), respectivamente.

Para realizar una instalación en el garage, necesitará ubicar el pedestal de 10" (25,4 cm) al menos 8" (20,3 cm) por encima del piso. Necesitará ubicar el pedestal de 15,5" (39,4 cm) al menos 3" (7,6 cm) por encima del piso.



Pedestal opcional (se muestra el modelo de 15,5" [39,4 cm])

Los pedestales están disponibles en varios colores.

Para hacer su pedido, llame a la tienda local de Sears. Para obtener más información, sírvase llamar al **1-800-4-MY-HOME®** (1-800-469-4663).

Altura del pedestal	Color	Número de pieza
10" (25,4 cm)	Blanco	46822
10" (25,4 cm)	Diamante negro	46826
15,5" (39,4 cm)	Blanco	57822
15,5" (39,4 cm)	Diamante negro	57826
15,5" (39,4 cm)	Champaña	57828
15,5" (39,4 cm)	Rojo barolo	58829

## Requisitos de ubicación

### ⚠ ADVERTENCIA



#### Peligro de Explosión

Mantenga los materiales y vapores inflamables, como la gasolina, lejos de la secadora.

Coloque la secadora a un mínimo de 46 cm sobre el piso para la instalación en un garage.

No seguir estas instrucciones puede ocasionar la muerte, explosión o incendio.

#### Usted necesitará

- Una ubicación que permita una instalación adecuada del ducto de escape. La secadora a gas debe tener una salida de ventilación hacia el exterior. Consulte "Requisitos de ventilación".
- Un contacto con conexión a tierra ubicado a unos 2 pies (61 cm) de cualquiera de los lados de la secadora. Vea "Requisitos eléctricos".
- Un piso resistente para soportar la secadora con un peso total de 200 lbs (90,7 kgs). Asimismo se debe considerar el peso de otro artefacto que la acompañe.
- Grifos de agua fría ubicados a una distancia de no más de 4 pies (1,2 m) de las válvulas de llenado de agua y una presión de agua de 20-100 lbs/pulg<sup>2</sup> (137,9 - 689,6 kPa). Puede usar el suministro de agua para su lavadora usando el conector en "Y" y la manguera corta (si se requiere), los cuales están provistos.
- Un piso nivelado con un declive máximo de 1" (2,5 cm) debajo de la secadora completa. (Si el declive es mayor que 1" [2,5 cm], instale el juego de extensión de patas de la secadora, Pieza No. 279810.) La ropa quizás no rote adecuadamente y los ciclos del sensor automático posiblemente no funcionen debidamente si la secadora no está nivelada.
- Para la instalación en un garage, tendrá que colocar la secadora a una altura mínima de 18" (46 cm) encima del piso. Si va a usar un pedestal, necesitará 18" (46 cm) hasta la parte inferior de la secadora.

No ponga a funcionar su secadora en temperaturas que sean inferiores a 45°F (7°C). A temperaturas inferiores, es posible que la secadora no se apague al final de un ciclo automático. Los tiempos de secado pueden prolongarse.

No debe instalarse ni guardarse la secadora en un área en donde pueda estar expuesta al agua y/o a la intemperie.

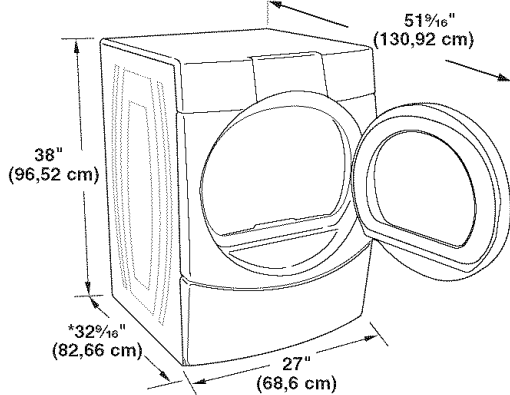
Verifique los requisitos de los códigos. Algunos códigos limitan, o no permiten, la instalación de la secadora en garajes, clósets, casas rodantes o en dormitorios. Póngase en contacto con el inspector de construcciones de su localidad.

**NOTA:** No se puede instalar otro electrodoméstico que use combustible en el mismo clóset en que se encuentra la secadora.

## Espacios para la instalación

La ubicación debe ser lo suficientemente grande para poder abrir completamente la puerta de la secadora.

### Dimensiones de la secadora



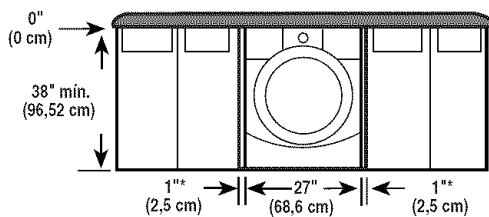
\*La mayoría de las instalaciones requieren un espacio libre mínimo de 5" (12,7 cm) detrás de la secadora para acomodar el ducto de escape con codo. Vea "Requisitos de ventilación".

### Espacio para la instalación en un lugar empotrado o en un clóset

Se recomiendan las siguientes medidas de espacio para esta secadora. Esta secadora ha sido puesta a prueba para espacios de 0" (0 cm) en los costados y en la parte posterior. El espacio recomendado debe ser considerado por los siguientes motivos:

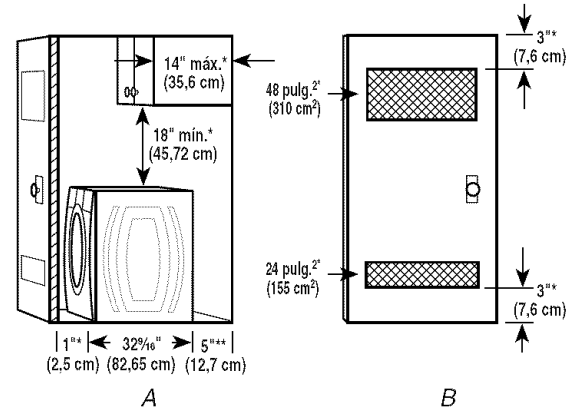
- Debe considerarse el espacio adicional para facilitar la instalación y el servicio técnico.
- Se podrían necesitar espacios libres adicionales para las molduras de la pared, de la puerta y del piso.
- Se recomienda un espacio adicional en todos los lados de la secadora para reducir la transferencia de ruido.
- Para la instalación en clóset, con una puerta, se requieren aberturas de ventilación mínimas en la parte superior e inferior de la puerta. Se aceptan puertas tipo persianas con aberturas de ventilación equivalentes.
- También se debe considerar espacio adicional para otro electrodoméstico que le acompañe.

### Instalación personalizada debajo del mostrador – Sólo secadora



\*Espacio necesario

### Instalación en el clóset – Sólo secadora

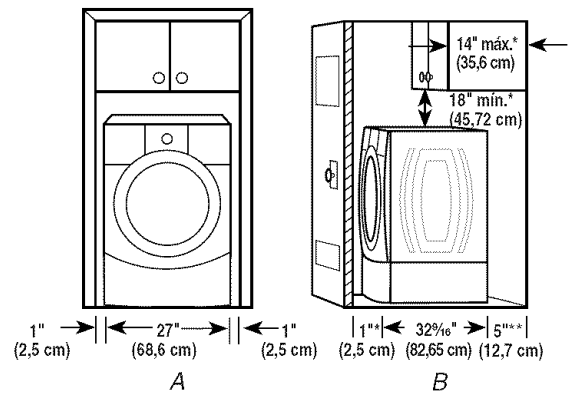


A. Vista lateral - clóset o lugar confinado  
B. Puerta del clóset con orificios de ventilación

\*Espacio necesario

\*\*Para la ventilación lateral o por la parte inferior, se permite 2" (5,1 cm) de espacio.

### Instalación empotrada o en el clóset – Secadora sobre el pedestal



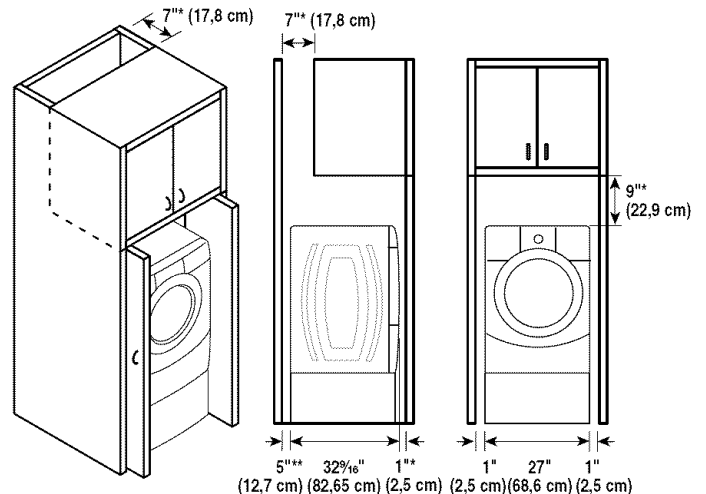
A. Lugar empotrado  
B. Vista lateral - clóset o lugar confinado

\*Espacio necesario

\*\*Para la ventilación lateral o por la parte inferior, se permite 2" (5,1 cm) de espacio.

### Espacio para la instalación en el clóset

- Para la instalación en el clóset con puerta, se requieren las aberturas de ventilación mínimas en la parte superior.



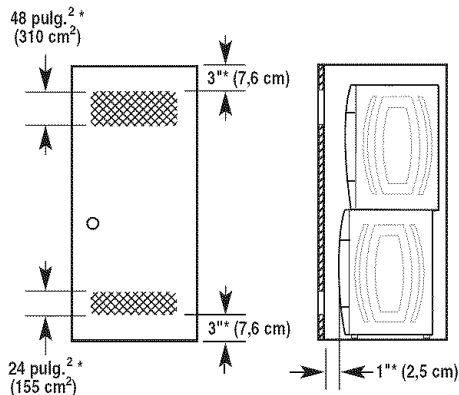
\*Espacio necesario

\*\*Para la ventilación lateral o por la parte inferior, se permite 2" (5,1 cm) de espacio.

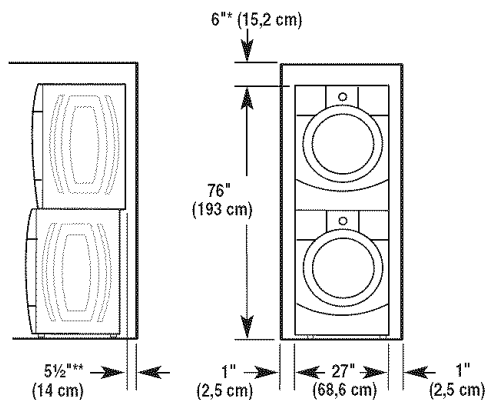


## Recomendaciones de espacios de instalación para instalación empotrada o en el clóset, con lavadora y secadora apiladas

Las dimensiones que se muestran son para los espacios recomendados.



\*Espacio necesario



\*Espacio necesario

\*\*Para la ventilación lateral, se permite 2" (5,1 cm) de espacio.

### Requisitos de instalación adicionales para las casas rodantes

Esta secadora es apropiada para instalaciones en casas rodantes. La instalación debe ajustarse al Estándar de seguridad y construcción de casas fabricadas, Título 24 CFR, Parte 3280 (anteriormente conocido como Estándar federal para la seguridad y construcción de casas rodantes, Título 24, HUD Parte 280).

#### Las instalaciones en casas rodantes necesitan:

- Artículos de ferretería para sistemas de ventilación de metal que se pueden comprar en su tienda Sears o en el centro de servicio técnico Sears de su localidad.
- Juego para la instalación en casas rodantes, Pieza número 346764. Vea la sección "Herramientas y piezas" para la información sobre cómo ordenar.
- Se deben tomar medidas especiales en el caso de casas rodantes para introducir el aire del exterior en la secadora. La abertura (como la de una ventana adyacente) deberá ser por lo menos el doble de tamaño que la abertura de ventilación de la secadora.

## Requisitos eléctricos

### ⚠ ADVERTENCIA



#### Peligro de Choque Eléctrico

Conecte a un contacto de pared de conexión a tierra de 3 terminales.

No quite la terminal de conexión a tierra.

No use un adaptador.

No use un cable eléctrico de extensión.

No seguir estas instrucciones puede ocasionar la muerte, incendio o choque eléctrico.

- Se necesita un suministro eléctrico de 120 voltios, 60 hertzios, CA solamente, de 15 ó 20 amperios y protegido con fusible. Se recomienda el empleo de un fusible retardador o cortacircuitos. Asimismo se recomienda el uso de un circuito independiente que preste servicio únicamente a esta secadora.

### INSTRUCCIONES PARA LA CONEXIÓN A TIERRA

- Para la conexión de una secadora mediante cable eléctrico conectado a tierra:

Esta secadora debe estar conectada a tierra. En el caso de funcionamiento defectuoso o avería, la conexión a tierra reducirá el riesgo de choque eléctrico al proporcionar una vía de menor resistencia para la corriente eléctrica. Esta secadora está equipada con un cable que cuenta con un conductor para la conexión a tierra del equipo y un enchufe de conexión a tierra. El enchufe debe conectarse en un contacto apropiado, que esté debidamente instalado y conectado a tierra de acuerdo con todos los códigos y ordenanzas locales.

**ADVERTENCIA:** La conexión indebida del conductor para la conexión a tierra del equipo puede ocasionar un riesgo de choque eléctrico. Verifique con un electricista, representante o personal de servicio técnico calificado para asegurarse de que la conexión a tierra de la secadora sea apropiada. No modifique el enchufe proporcionado con la secadora. Si no encaja en el contacto, contrate un electricista calificado para que instale un contacto adecuado.

**GUARDE ESTAS INSTRUCCIONES**

## Requisitos del suministro de gas

### **⚠ ADVERTENCIA**



#### Peligro de Explosión

Use una línea de suministro de gas nueva con aprobación CSA Internaciónál.

Instale una válvula de cierre.

Apriete firmemente todas las conexiones de gas.

Si se conecta a un suministro de gas L.P., la presión no debe exceder una columna de agua de 33 cm (13 pulg) y debe ser verificada por una persona calificada.

Ejemplos de una persona calificada incluyen:

personal de servicio del sistema de calefacción con licencia,  
personal autorizado de la compañía de gas, y  
personal autorizado para dar servicio.

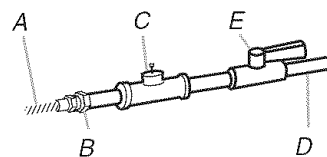
No seguir estas instrucciones puede ocasionar la muerte, explosión o incendio.

- Las longitudes superiores a los 20 pies (6,1 m) deberán usar tuberías más largas y un accesorio adaptador de tamaño distinto.
- Si su secadora ha sido convertida para usar gas LP, se puede usar tubería de cobre compatible de LP de  $\frac{3}{8}$ ". Si la longitud total de la línea de suministro es mayor que 20 pies (6,1 m), use un tubo más largo.

**NOTA:** Se deben usar pegamentos para uniones de tuberías que resistan la acción del gas LP. No use cinta TEFLON<sup>®†</sup>.

- Debe incluir una válvula de cierre:

Debe instalarse una válvula de cierre individual a una distancia de unos 6 pies (1,8 m) de la secadora de acuerdo con el Código Nacional de Gas combustible (National Fuel Gas Code), ANSI Z223.1. La válvula deberá ubicarse en un lugar donde se pueda alcanzar con facilidad para cerrarla y abrirla.



- A. Conector de gas flexible de  $\frac{3}{8}$ "
- B. Accesorio adaptador abocinado para tubo de  $\frac{3}{8}$ "
- C. Derivación tapada NPT por lo menos de  $\frac{1}{8}$ "
- D. Línea de suministro de gas NPT de  $\frac{1}{2}$ "
- E. Válvula de cierre del gas

### Tipo de gas

#### Gas natural:

Esta secadora está equipada para uso con gas natural. Su diseño está certificado por la CSA International para gases LP (de propano o butano) con la conversión apropiada.

- Su secadora debe tener el quemador adecuado para el tipo de gas que tiene en su casa. La información respecto al quemador está ubicada en la placa de clasificación que está en la cavidad de la puerta de su secadora. Si esta información no está de acuerdo con el tipo de gas disponible, póngase en contacto con su tienda Sears o con el Centro de Servicio Sears de su localidad.

#### Conversión de gas LP:

La conversión deberá llevarla a cabo un técnico calificado.

No se deberá hacer intento alguno para convertir el uso del gas especificado en la placa de clasificación del modelo/de la serie de este artefacto por el uso de un gas distinto sin consultar con el abastecedor de gas.

### La línea de suministro de gas

- Debe incluir una derivación tapada NPT de por lo menos  $\frac{1}{8}$ " accesible para la conexión del manómetro de prueba, inmediatamente arriba de la conexión de suministro de gas a la secadora (vea la ilustración).
- Se recomienda un tubo IPS de  $\frac{1}{2}$ ".
- Si los códigos locales y el proveedor de gas lo permite, es aceptable una tubería de aluminio o cobre aprobada de  $\frac{3}{8}$ " para longitudes menores de 20 pies (6,1 m).
- Si usted está usando gas natural, no use tubería de cobre.

### Requisitos para la conexión del suministro de gas

- Use un codo y un accesorio adaptador abocinado NPT de  $\frac{3}{8}$ " por  $\frac{3}{8}$ " entre el conector de gas flexible y el tubo de gas de la secadora, para evitar que se doblen.
- Use solamente compuesto para juntas de tubería. No utilice cinta TEFLON<sup>®†</sup>.
- Esta secadora debe conectarse a la línea de suministro de gas con un conector de gas flexible que cumpla con las normas para conectores de electrodomésticos a gas, ANSI Z21.24.

### Requisitos de entrada del quemador

#### Elevaciones de hasta 10.000 pies (3.048 metros):

- El diseño de esta secadora está certificado por CSA International para uso en altitudes que alcanzan los 10.000 pies (3.048 m) sobre el nivel del mar en la categoría de Btu indicada en la placa del número de modelo/serie. No se requieren ajustes de entrada del quemador cuando se usa la secadora a esta altitud.

#### Elevaciones encima de los 10.000 pies (3.048 metros):

- Si se instala la secadora a un nivel superior a los 10.000 pies (3.048 m) de altitud, se requiere una reducción de categoría de Btu del 4% del quemador, que se muestra en la placa del número de modelo/serie, por cada incremento de 1.000 pies (305 m) de altitud.

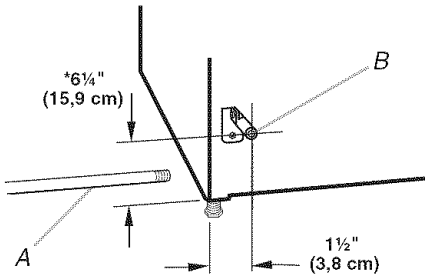
#### Prueba de presión del suministro de gas

- Durante pruebas de presión a presiones mayores de  $\frac{1}{2}$  lb/pulg<sup>2</sup>, la secadora debe ser desconectada del sistema de tubería del suministro de gas.

†TEFLON es una marca registrada de E.I. Du Pont De Nemours and Company.

## El tubo de gas de la secadora

- El tubo de gas que sale por la parte posterior de su secadora tiene una rosca macho para tubería de  $\frac{3}{8}$ ".



A. Línea de suministro de gas NPT de  $\frac{1}{2}$ "  
B. Tubo de la secadora NPT de  $\frac{3}{8}$ "

**\*NOTA:** Si se ha montado la secadora sobre un pedestal, el tubo de gas deberá tener una altura adicional de 10" (25,4 cm) ó 15,5" (39,4 cm) desde el piso, según el modelo de pedestal. Para realizar una instalación en el garage, la tubería de gas deberá tener una altura adicional de 18" (46 cm) desde el piso.

## Requisitos de ventilación

### ⚠ ADVERTENCIA



#### Peligro de Incendio

Use un ducto de escape de metal pesado.

No use un ducto de escape de plástico.

No use un ducto de escape de aluminio.

No seguir estas instrucciones puede ocasionar la muerte o incendio.

**ADVERTENCIA:** Para reducir el riesgo de incendio, esta secadora DEBE VENTILARSE HACIA EL EXTERIOR.

**IMPORTANTE:** Observe todas las normas y ordenanzas vigentes.

El ducto de escape de la secadora no debe conectarse en ningún ducto de escape de gas, chimenea, pared, techo o el espacio oculto de un edificio.

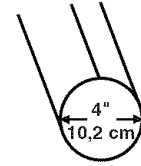
## Si usa un sistema de ventilación existente

- Limpié la pelusa que está en toda la longitud del sistema y asegúrese de que la capota de ventilación no esté obstruida con pelusa.
- Reemplace cualquier ducto de escape de plástico o de hoja de metal por uno de metal pesado rígido o flexible.
- Vuelva a consultar el cuadro del sistema de ventilación. Modifique el sistema de ventilación existente si fuera necesario para lograr el mejor rendimiento de la secadora.

## Si éste es un nuevo sistema de ventilación

### Material de ventilación

- Use un ducto de escape de metal pesado. No use ducto de escape de plástico o de hoja de metal.
- Se debe usar un ducto de escape de metal pesado de 4" (10,2 cm) y abrazaderas. Los productos de ventilación DURASAFE™ son recomendables.



Ducto de escape de metal pesado de 4" (10,2 cm)

Los productos de ventilación DURASAFE™ pueden adquirirse en su distribuidor. Para obtener más información, sírvase llamar al **1-800-4-MY-HOME® (1-800-469-4663)** o visite nuestro sitio en internet en [www.sears.com](http://www.sears.com).

### Ducto de escape de metal rígido

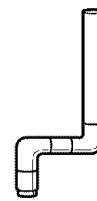
- Para un óptimo rendimiento de secado, se recomiendan ductos de escape de metal rígido.
- Se recomienda el ducto de escape de metal rígido para evitar que se aplaste o se tuerza.

### Ducto de escape de metal flexible

- Los ductos de escape de metal flexible son aceptables únicamente si se puede tener acceso a los mismos para limpiarlos.
- El ducto de escape de metal flexible debe extenderse y sostenerse por completo cuando la secadora está en su ubicación final.
- Quite el exceso del ducto de metal flexible para evitar que se doble y se tuerza, lo cual podría dar lugar a una reducción del flujo de aire y a un rendimiento insuficiente.
- No instale el ducto de escape de metal flexible en paredes, techos o pisos encerrados.

### Codos

Los codos de 45° proveen un mejor flujo de aire que los codos de 90°.



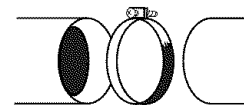
Bien



Mejor

### Abrazaderas

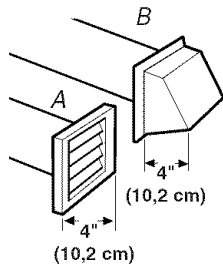
- Utilice abrazaderas para sellar todas las juntas.
- No debe conectarse ni asegurarse el ducto de escape con tornillos ni con ningún otro dispositivo de sujeción que se extienda hacia el interior de dicho ducto. No utilice cinta adhesiva para conductos.



Abrazadera

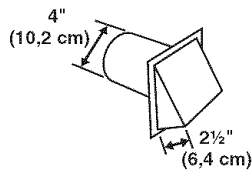
## Ventilación

Los estilos recomendados de capotas de ventilación se ilustran aquí.



A. Estilo de capota con ventilación tipo persiana  
B. Estilo de capota con ventilación tipo caja

El estilo de capota de ventilación angular (que se ilustra aquí) es aceptable.



- Una capota de ventilación debe tapan el ducto de escape para evitar el ingreso de roedores e insectos a la casa.
- La capota de ventilación debe estar por lo menos a 12" (30,5 cm) de distancia del piso o de cualquier objeto que pudiese estar en el trayecto del ducto de escape (como flores, rocas o arbustos, límite de nieve, etc.).
- No use capotas de ventilación con pestillos magnéticos.

**La ventilación inadecuada puede ocasionar la acumulación de humedad y pelusa en la casa, lo cual puede dar como resultado:**

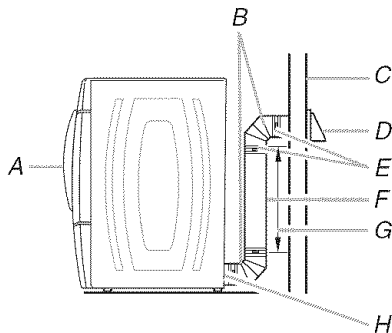
- Daños de humedad en la carpintería, muebles, pintura, empapelado, alfombras, etc.
- Problemas en la limpieza de la casa y de salud.

## Planificación del sistema de ventilación

### Seleccione su tipo de instalación de ventilación

#### Instalaciones recomendadas de escape

Las instalaciones típicas tienen la ventilación en la parte posterior de la secadora. Otras instalaciones son posibles.



A. Secadora  
B. Codo  
C. Pared  
D. Capota de ventilación  
E. Abrazaderas  
F. Ducto de metal rígido o de metal flexible  
G. Longitud necesaria del ducto de escape para conectar los codos  
H. Salida de ventilación

#### Instalaciones opcionales de escape

Esta secadora puede ser adaptada con el escape hacia el lado derecho, hacia el lado izquierdo o en la parte inferior. Póngase en contacto con su distribuidor local para hacer convertir su secadora.

## ⚠ ADVERTENCIA



### Peligro de Incendio

**Cubra los orificios de escape no usados con uno de los juegos siguientes:**

279818 (blanco)

279915 (diamante negro)

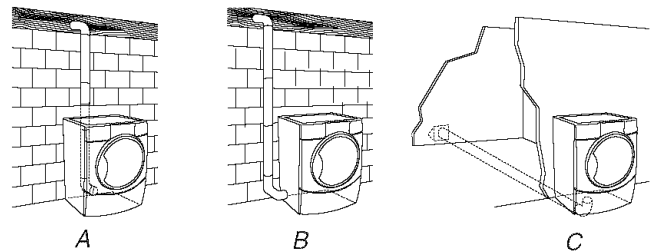
280102 (azul pacífico)

280103 (champaña)

280189 (rojo barolo)

**Comuníquese con su distribuidor local.**

**No seguir estas instrucciones puede ocasionar la muerte, incendio, choque eléctrico, o lesiones graves.**



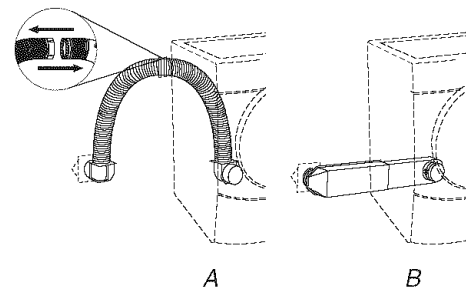
A. Instalación estándar con desviación de la ventilación en la parte posterior

B. Instalación de ventilación lateral a la izquierda o a la derecha

C. Instalación de ventilación inferior (no es apta para instalaciones de pedestal)

#### Instalaciones alternas para espacios limitados

Los sistemas de ventilación vienen en una amplia gama. Seleccione el tipo más apropiado para su instalación. A continuación se ilustran dos tipos de instalación para espacios limitados. Consulte las instrucciones del fabricante.



A. Instalación en la parte superior (también está disponible con un codo de desviación)

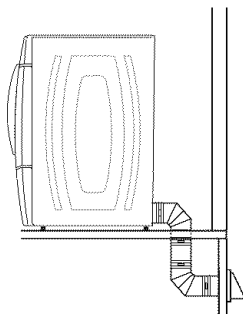
B. Instalación de periscopio

**NOTA:** Se pueden adquirir los siguientes juegos para instalaciones alternas en espacios limitados. Para más información, por favor llame al **1-800-4-MY-HOME® (1-800-469-4663)**.

- Instalación en la parte superior:  
Pieza número 26-49900
- Instalación de periscopio (Para usar si hay desacoplo entre el ducto de escape de la secadora y el ducto de escape de la pared):  
Pieza número 26-49901 – Desacoplo de menos de 5" (12,7 cm).  
Pieza número 26-49908 – Desacoplo de 5" (12,7 cm) a 18" (45,72 cm).  
Pieza número 26-49904 – Desacoplo de 18" (45,72 cm) a 29" (73,66 cm).  
Pieza número 26-49905 – Desacoplo de 29" (73,66 cm) a 50" (127 cm).

### Previsiones especiales para las instalaciones en casas rodantes

El ducto de escape deberá sujetarse firmemente en un lugar no inflamable de la estructura de la casa rodante y no debe terminar debajo de la casa rodante. El ducto de escape debe terminar en el exterior.



### Determinación de la vía del ducto de escape

- Seleccione la vía que proporcione el trayecto más recto y directo al exterior.
- Planifique la instalación a fin de usar el menor número posible de codos y vueltas.
- Cuando use los codos o haga vueltas, deje todo el espacio que sea posible.
- Doble el ducto gradualmente para evitar torceduras.
- Use la menor cantidad posible de vueltas de 90°.

### Determinación de la longitud del ducto de escape y de los codos necesarios para obtener un óptimo rendimiento de secado

- Use el cuadro del sistema de ventilación a continuación para determinar el tipo de material para ducto y la combinación de capota aceptable a usar.
- **NOTA:** No use tendidos de ducto de escape más largos que los especificados en el cuadro del sistema de ventilación. Los sistemas de ventilación más largos que los especificados:
  - Acortarán la vida de la secadora.
  - Reducirán el rendimiento, dando lugar a tiempos de secado más largos y un aumento en el consumo de energía.

El cuadro del sistema de ventilación indica los requisitos de ventilación que le ayudarán a alcanzar el mejor rendimiento de secado.

### Cuadro del sistema de ventilación

**NOTA:** Las instalaciones de ventilación laterales e inferiores tienen una vuelta de 90° dentro de la secadora. Para determinar la longitud máxima de ventilación, agregue una vuelta de 90° al cuadro.

No. de vueltas de 90° o codos	Tipo de ducto	Capotas de ventilación de caja o tipo persianas	Capotas angulares
0	<b>Metal rígido</b>	64 pies (20 m)	58 pies (17,7 m)
	<b>Metal flexible</b>	36 pies (11 m)	28 pies (8,5 m)
1	<b>Metal rígido</b>	54 pies (16,5 m)	48 pies (14,6 m)
	<b>Metal flexible</b>	31 pies (9,4 m)	23 pies (7 m)
2	<b>Metal rígido</b>	44 pies (13,4 m)	38 pies (11,6 m)
	<b>Metal flexible</b>	27 pies (8,2 m)	19 pies (5,8 m)
3	<b>Metal rígido</b>	35 pies (10,7 m)	29 pies (8,8 m)
	<b>Metal flexible</b>	25 pies (7,6 m)	17 pies (5,2 m)
4	<b>Metal rígido</b>	27 pies (8,2 m)	21 pies (6,4 m)
	<b>Metal flexible</b>	23 pies (7 m)	15 pies (4,6 m)

### Instalación del sistema de ventilación

1. Instale la capota de ventilación. Emplee una masilla de calafateo para sellar la abertura de la pared externa alrededor de la capota de ventilación.
2. Conecte el ducto de escape a la capota de ventilación. El ducto de escape debe encajar dentro de la capota de ventilación. Asegure el ducto de escape a la capota de ventilación con una abrazadera de 4" (10,2 cm).
3. Extienda el ducto de escape a la ubicación de la secadora. Use la trayectoria más recta posible. Vea "Determinación de la vía del ducto de escape" en "Planificación del sistema de ventilación". Evite giros de 90°. Use abrazaderas para sellar todas las juntas. No use cinta adhesiva para conductos, tornillos ni otros dispositivos de fijación que se extiendan dentro del ducto de escape, para fijar el mismo.

### Instalación de las patas niveladoras

## ⚠ ADVERTENCIA

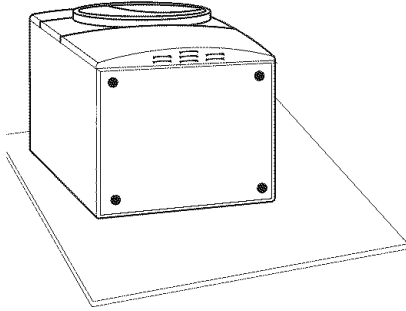
### Peligro de Peso Excesivo

Use dos o más personas para mover e instalar la secadora.

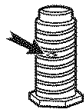
No seguir esta instrucción puede ocasionar una lesión en la espalda u otro tipo de lesiones.

1. Para proteger el piso, use un pedazo grande y plano de cartón del empaque de la secadora. Coloque el cartón debajo del borde posterior de la secadora.

2. Sujete con firmeza el cuerpo de la secadora (no el panel de la consola). Coloque la secadora cuidadosamente sobre el cartón. Vea la ilustración.



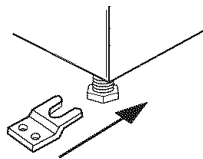
3. Examine las patas niveladoras. Localice la marca en forma de diamante.



4. Atornille con la mano las patas en los orificios de las patas. Use una llave de tuercas para terminar de atornillar las patas hasta que la marca en forma de diamante no quede visible.
5. Coloque un esquinale de cartón debajo de cada una de las 2 esquinas posteriores de la secadora. Ponga la secadora de pie. Deslícela sobre los esquinales hasta que esté cerca de su ubicación final. Deje suficiente espacio para conectar el ducto de escape o la línea de gas.

#### Para su uso en casas rodantes

Las secadoras a gas deben ser aseguradas al piso en el momento de la instalación.



La instalación en casas rodantes requiere el Juego de Instalación para casas rodantes. Para obtener más información, sírvase llamar al **1-800-4-MY-HOME® (1-800-469-4663)**.

### Conexión del ducto de escape

1. Usando una abrazadera de 4" (10,2 cm), conecte el ducto de escape a la salida de aire de la secadora. Si se conecta a un ducto de escape existente, asegúrese de que el mismo esté limpio. El ducto de escape de la secadora debe encajar sobre la salida de aire de la secadora y dentro de la capota de ventilación. Cerciórese de que el ducto de escape esté asegurado a la capota de ventilación con una abrazadera de 4" (10,2 cm).
2. Mueva la secadora a su posición final. No aplaste ni retuerza el ducto de escape.
3. (En modelos a gas) Asegúrese de que no hayan torceduras en la línea de gas flexible.
4. Una vez que la conexión del ducto de escape esté lista, quite los esquinales y el cartón.

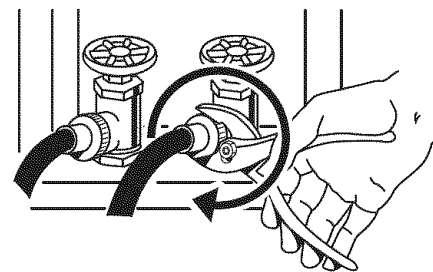
### Conexión de las mangueras de entrada

La secadora debe conectarse al grifo de agua fría usando las mangueras de entrada nuevas. No use mangueras viejas.

1. Cierre el grifo de agua fría y quite la manguera de entrada a la lavadora.
2. Quite la arandela vieja de goma de la manguera de entrada y reemplácela con la arandela nueva de goma provista. Si el espacio lo permite, sujete el extremo hembra de bronce del conector en "Y" al grifo de agua fría.

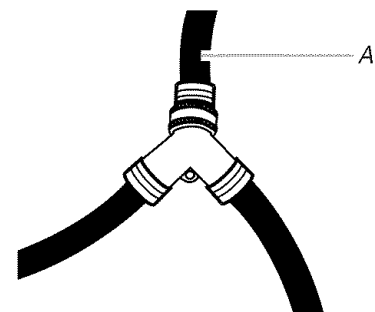
**NOTA:** Si se puede sujetar directamente el conector en "Y" al grifo de agua fría, vaya al Paso 6. Si no se puede sujetar directamente el conector en "Y" al grifo de agua fría, debe usarse la manguera corta. Continúe con el Paso 3.

3. Fije la manguera corta al grifo de agua fría. Atornille el acoplamiento con la mano hasta que quede asentado en el grifo.
4. Usando las pinzas, apriete los acoplamientos dos tercios de vuelta adicional.



**NOTA:** No apriete demasiado. Se puede dañar el acoplamiento.

5. Fije el conector en "Y" al extremo macho de bronce de la manguera pequeña. Atornille el acoplamiento con la mano hasta que quede asentado en el conector.
6. Fije el extremo recto de la manguera larga al conector en "Y".
7. Fije la manguera de entrada de agua fría de la lavadora al otro extremo del conector en "Y". Atornille el acoplamiento con la mano hasta que quede asentado en el conector.
8. Usando las pinzas, apriete los acoplamientos dos tercios de vuelta adicional.

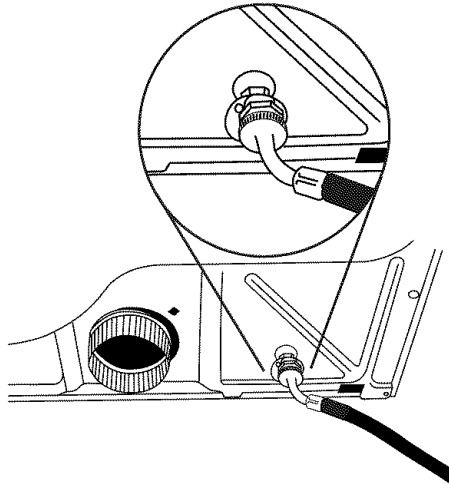


A. Entrada al agua fría

**NOTA:** No apriete demasiado. Se puede dañar el acoplamiento.

9. Fije el extremo en ángulo de la manguera larga para llenar la válvula, al fondo del panel posterior de la secadora. Atornille el acoplamiento con la mano hasta que quede asentado en el conector.

- Usando las pinzas, apriete el acoplamiento dos tercios de vuelta adicional.

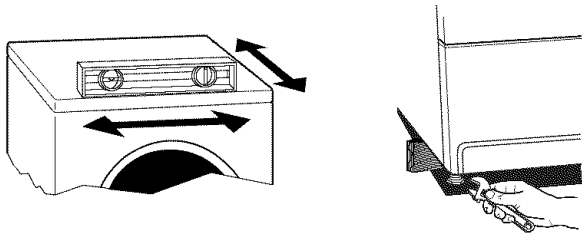


**NOTA:** No apriete demasiado. Se puede dañar el acoplamiento.

- Verifique que los grifos de agua estén abiertos.
- Verifique si hay fugas alrededor del conector en "Y", de los grifos y de las mangueras.

### Nivelación de la secadora

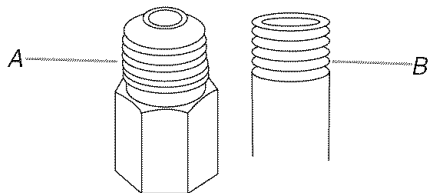
Revise la nivelación de la secadora. Verifique primero de lado a lado y luego del frente hacia atrás.



Si la secadora no está nivelada, apuntale la secadora, usando un bloque de madera. Use una llave de tuercas para regular las patas hacia arriba o hacia abajo y verifique nuevamente si la secadora está nivelada.

### Conexión del suministro de gas

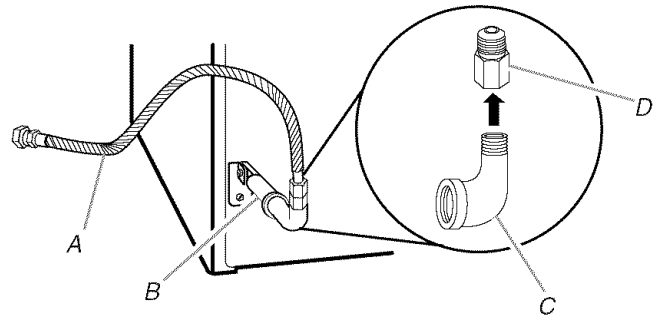
- Quite la tapa roja del tubo de gas.
- Utilizando una llave de tuercas para apretar, conecte el suministro de gas a la secadora. Use sellador para uniones de tubos en las roscas de todos los accesorios macho no abocinados. Si se usa tubería flexible de metal, asegúrese que no hay partes retorcidas.



A. Accesorio macho abocinado  
B. Accesorio macho no abocinado

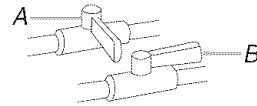
**NOTA:** Para las conexiones de gas LP, debe usar un pegamento de unión de tubos resistente a la acción del gas LP. No use cinta TEFLON<sup>®†</sup>.

Se debe usar una combinación de accesorios para tuberías para conectar la secadora a la línea de suministro de gas existente. A continuación se ilustra una conexión recomendada. Su conexión puede ser distinta, de acuerdo con el tipo, tamaño y ubicación de la línea de suministro.



A. Conector flexible de gas de 3/8"  
B. Tubo de la secadora de 3/8"  
C. Codo de tubería de 3/8" a 3/8"  
D. Accesorio adaptador abocinado para tubo de 3/8"

- Abra la válvula de cierre en la línea de suministro. La válvula está abierta cuando la manija está paralela al tubo de gas.



A. Válvula cerrada  
B. Válvula abierta

- Pruebe todas las conexiones aplicando con un cepillo una solución aprobada para detección de fugas que no sea corrosiva. Se observarán burbujas si hay fuga. Tape cualquier fuga que encuentre.

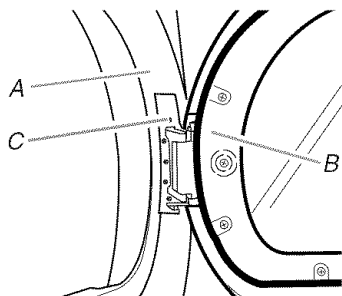
## Inversión del cierre de la puerta

Si lo desea, puede cambiar la dirección del cierre de la puerta del lado derecho al lado izquierdo.

**NOTA:** Para facilitar la instalación, tal vez necesite la ayuda de 2 o más personas para quitar la puerta de la secadora y volverla a colocar.

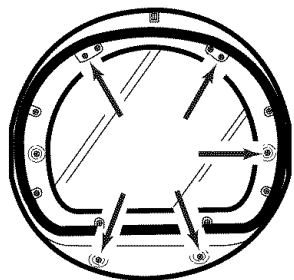
### Desmontaje de la puerta

1. Coloque una toalla o un paño suave encima de la secadora o del espacio en donde va a trabajar para proteger la superficie.
2. Abra la puerta de la secadora. Quite los 5 tornillos que sujetan la bisagra de la puerta en el panel frontal de la secadora.



A. Panel frontal de la secadora  
B. Puerta de la secadora  
C. Tornillos

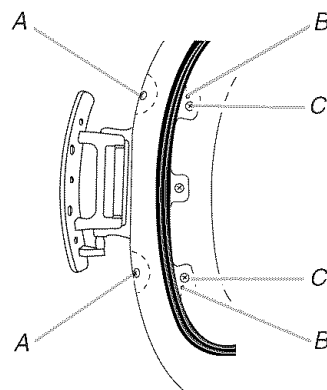
3. Quite la puerta.
4. Coloque la puerta de la secadora en una superficie plana y protegida con el conjunto interno de la puerta boca arriba. Quite los 5 tornillos para separar el conjunto externo de la puerta del conjunto interno de la puerta, tal como se indica a continuación. Vea la ilustración. Es importante que quite sólo los 5 tornillos indicados.



5. Levante el conjunto interno de la puerta para separarlo del conjunto externo de la puerta. Ponga el conjunto externo de la puerta a un lado.

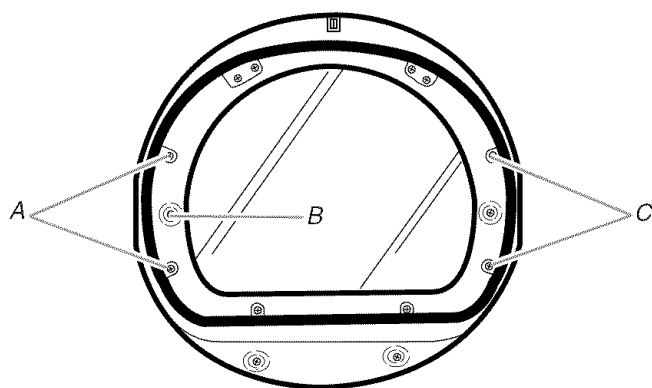
### Inversión de la bisagra

1. Coloque la puerta interna, con la cabeza del tornillo hacia arriba, en la zona de trabajo.
2. Quite los 4 tornillos que sostienen la bisagra con la puerta y quite la bisagra.



A. Tornillo del lado de la bisagra  
B. Espigas de colocación en la bisagra  
C. Tornillo del lado superior

3. Mueva el tornillo del orificio grande al lado opuesto. Quite los 2 tornillos tapón y los tapones de plástico, e insértelos en los orificios para tornillo originales en el lado opuesto.



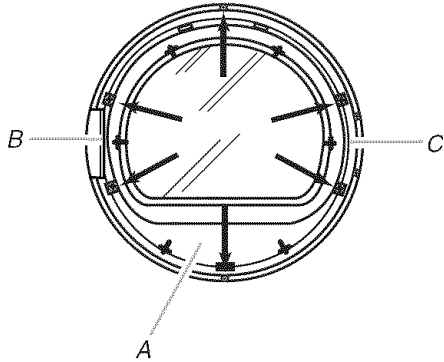
A. Tornillos para bisagras  
B. Tornillo para orificio grande  
C. Tornillos tapón y tapones de plástico

4. Mueva la bisagra al otro lado y vuelva a acoplarla con los 4 tornillos que quitó en el paso 2. Asegúrese de que las espigas de colocación se alineen en los orificios y atornille primero los 2 tornillos superiores en su lugar, para ayudar a que las espigas de colocación se ubiquen en el lugar adecuado.
5. Ponga a un lado el conjunto interno de la puerta.



### Inversión de la manija de la puerta

1. Coloque el conjunto externo de la puerta boca abajo en la zona de trabajo.
2. Quite los 6 tornillos que sujetan la puerta intermedia al conjunto externo de la puerta. Quite la puerta intermedia y ponga el protector de la bisagra a un lado. Saque la tapa del orificio de la bisagra.

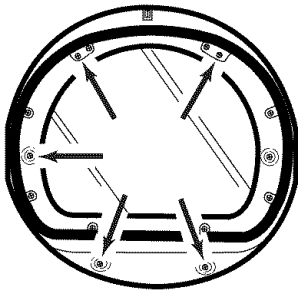


A. Puerta intermedia  
B. Protector de la bisagra  
C. Tapa del orificio de la bisagra

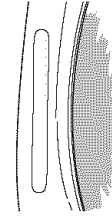
3. Gire el conjunto de la ventana 180° y vuelva a fijar la puerta intermedia, el protector de la bisagra y la tapa del orificio de la bisagra con los 6 tornillos que se quitaron en el paso 2.

### Reinstalación de la puerta

1. Coloque el conjunto interno de la puerta en el conjunto externo de la puerta. Para que encaje correctamente, el borde del conjunto interno de la puerta queda completamente dentro del borde del ensamblaje externo de la puerta.
2. Vuelva a colocar los ensamblajes interior y exterior de la puerta con los 5 tornillos.

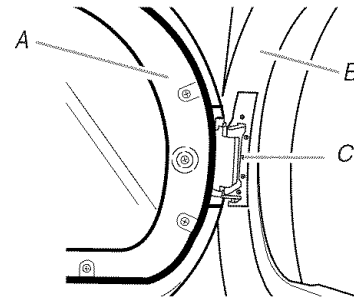


3. Saque la etiqueta que está del lado opuesto de la puerta y deséchela. Busque la etiqueta provista con el Manual de uso y cuidado, y aplíquela sobre los orificios de bisagra originales.



4. Alinee la puerta colocando las lengüetas de ubicación en la bisagra con los orificios de ubicación en el panel frontal de la secadora. Inserte y ajuste el tornillo central de la bisagra. La puerta colgará en su lugar mientras usted inserta y ajusta los 4 tornillos restantes.

**NOTA:** Es posible que necesite dos o más personas para volver a colocar la puerta de la secadora.



A. Puerta de la secadora  
B. Panel frontal de la secadora  
C. Inserte primero este tornillo de la bisagra.

5. Cierre la puerta y revise si cierra con firmeza.
6. Revise si hay huellas digitales en el vidrio. Limpie el vidrio si fuera necesario.

## Complete la instalación

1. Revise para cerciorarse de que todas las piezas estén instaladas. Si hay alguna pieza extra, vuelva a revisar todos los pasos para ver cuál se omitió.
2. Verifique si tiene todas las herramientas.
3. Verifique que los grifos de agua estén abiertos.
4. Verifique si hay fugas alrededor del conector en "Y", de los grifos y de las mangueras de entrada.
5. Revise la ubicación final de la secadora. Asegúrese de que el ducto de escape no esté aplastado o retorcido.
6. Verifique si la secadora está nivelada. Vea "Nivelación de la secadora".
8. Quite la película protectora o cinta adhesiva que haya quedado en la secadora.
9. Deshágase de todos los materiales de embalaje o recíclelos.
10. Lea "Uso de la secadora".
11. Limpie el interior del tambor de la secadora meticulosamente con un paño húmedo para quitar residuos de polvo.
12. Seleccione un ciclo de secado programado (Timed Dry) con calor y ponga la secadora en marcha. No seleccione el ajuste de temperatura de sólo aire (Air Only).

### Si la secadora no funciona, revise lo siguiente:

- Que la secadora esté conectada en un contacto de 3 terminales con conexión a tierra.
- Que el suministro eléctrico esté conectado.
- Que el fusible de la casa esté intacto y ajustado, o que no se haya disparado el cortacircuitos.
- Que la puerta de la secadora esté cerrada.


Esta secadora hace funcionar automáticamente una rutina de diagnóstico de instalación al comienzo del primer ciclo.

**Si usted recibe un código L2, puede ser que haya un problema con el suministro de energía de la casa, lo que evita que se encienda el calentador de la secadora. Vea "Solución de problemas".**

**Si usted recibe un código AF, el ducto de escape de su secadora puede estar prensado o bloqueado. Vea "Solución de problemas".**

**NOTA:** Cuando caliente la secadora por primera vez quizás sienta un olor a quemado. Este olor es común cuando se usa por primera vez el elemento de calefacción. El olor desaparecerá.

**⚠ ADVERTENCIA**



**Peligro de Choque Eléctrico**

**Conecte a un contacto de pared de conexión a tierra de 3 terminales.**

**No quite la terminal de conexión a tierra.**

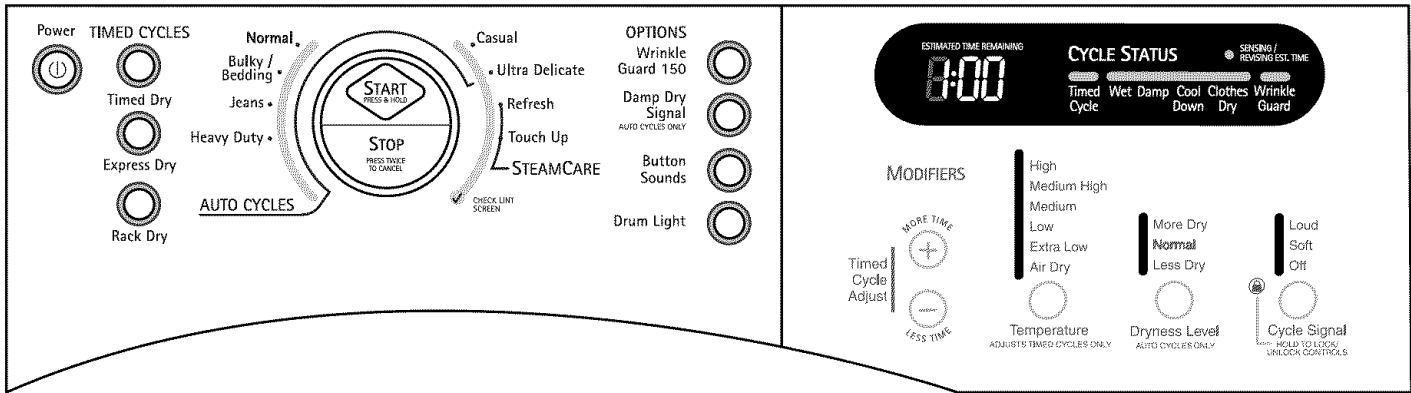
**No use un adaptador.**

**No use un cable eléctrico de extensión.**

**No seguir estas instrucciones puede ocasionar la muerte, incendio o choque eléctrico.**

7. Conecte a un contacto de pared de conexión a tierra de 3 terminales. Conecte el suministro de energía.

# USO DE LA SECADORA



## Puesta en marcha de la secadora

### ⚠️ ADVERTENCIA



#### Peligro de Explosión

Mantenga los materiales y vapores inflamables, tales como la gasolina, alejados de la secadora.

No seque ningún artículo que haya tenido alguna vez cualquier sustancia inflamable (aún después de lavarlo).

No seguir estas instrucciones puede ocasionar la muerte, explosión o incendio.

### ⚠️ ADVERTENCIA



#### Peligro de Incendio

Ninguna lavadora puede eliminar completamente el aceite.

No seque ningún artículo que haya tenido alguna vez cualquier tipo de aceite (incluyendo los aceites de cocina).

Los artículos que contengan espuma, hule o plástico deben secarse en un tendedero o usando un Ciclo de Aire.

No seguir estas instrucciones puede ocasionar la muerte o incendio.

Siga estos pasos básicos para poner su secadora en marcha. Por favor consulte las secciones específicas de este manual para obtener información más detallada.

1. Limpie el filtro de pelusa antes de cada carga. Vea "Limpieza del filtro de pelusa".
2. Coloque la ropa en la secadora y cierre la puerta.
3. Oprima el botón de suministro de energía (POWER). Luego gire el cuadrante para seleccionar el ciclo Automático (Auto Cycle) o ciclo de Cuidado con vapor (SteamCare) deseado. Presione el botón a la izquierda del cuadrante para seleccionar el ciclo Programado (Timed Cycle) deseado. La luz indicadora del ciclo Automático (Auto Cycle) o ciclo Programado (Timed Cycle) seleccionado se iluminará de verde. La luz indicadora del ciclo seleccionado de Cuidado con vapor (SteamCare) se iluminará de azul. Los modificadores prefijados del ciclo seleccionado se iluminarán de verde. Las opciones que puedan seleccionarse se pondrán de color ámbar. Si una opción o modificador no está disponible con el ciclo seleccionado, la luz no se encenderá. El tiempo estimado o real del ciclo (en minutos) aparecerá en la pantalla.

#### Para usar un ciclo automático (Auto Cycle)

**NOTA:** Se encenderá una luz verde al lado de cada característica cuando se seleccione la característica o se encenderá una luz ámbar cuando la característica pueda ser seleccionada.

- Seleccione un ciclo automático (Auto Cycle).
- Seleccione nivel de sequedad (DRYNESS LEVEL) para regular el nivel de sequedad que usted desea para su ropa. A medida que avanza el ciclo, el control detecta el nivel de sequedad de la carga y regula automáticamente el tiempo según el nivel de sequedad seleccionado.

**NOTA:** Pueden secarse la mayoría de las cargas usando el nivel de secado Normal, que se muestra en negra en el panel de control. El nivel Normal es el que tiene el nivel de secado de ahorro de energía y usará la mínima energía.

- Seleccione las opciones deseadas.

#### Para hacer cambios durante un ciclo automático:

- Presione Parada (STOP) una vez.
- Ajuste el nivel de sequedad (Dryness Level).

**NOTA:** Las selecciones de nivel de sequedad (Dryness Level) funcionan únicamente con los ciclos automáticos. Puede seleccionar un nivel de sequedad diferente según la carga, presionando Nivel de sequedad (Dryness Level) y eligiendo Más seco (More Dry), Normal o Menos seco (Less Dry). Al seleccionar Más seco (More Dry), Normal o Menos seco (Less Dry) se ajusta automáticamente el tiempo necesario que se ha detectado.



### Cómo funciona el secado automático (Auto Dry)

El calor inteligente SmartHeat™ mejora el rendimiento de secado con la detección automática de la humedad “plus” (Auto Moisture Sensing Plus), lo que hace avanzar el ciclo al extraer la humedad de las prendas. Una resistencia térmica (sensor electrónico de temperatura) y bandas sensoras de humedad en el tambor de la secadora ayudan a medir la cantidad de humedad en la ropa cuando ésta pasa. Un control electrónico determina el tipo de carga para ahorrar tiempo, prevenir el exceso de secado y mejorar la precisión del nivel de secado final. Después de los primeros 5 minutos de un ciclo automático, el tiempo estimado de la pantalla se ajustará basado en el tamaño de carga aproximado, el ciclo, el nivel de sequedad seleccionado y la cantidad de humedad que quede en las prendas. Cuando las prendas hayan alcanzado un 80% aproximadamente del nivel de sequedad seleccionado, el tiempo estimado de la pantalla se ajustará nuevamente, mostrando el tiempo final de secado. La detección automática de la humedad “plus” elimina el cálculo para el tiempo de secado y mejora el cuidado de la tela.

### Para usar un ciclo programado (Timed Cycle)

**NOTA:** Se encenderá una luz verde al lado de cada característica cuando se seleccione la característica, o se encenderá una luz ámbar cuando la característica se pueda seleccionar.

- Oprima un botón de ciclos programados (Timed Cycles).
- Presione Más tiempo (MORE TIME) o Menos tiempo (LESS TIME) hasta que el tiempo de secado deseado aparezca en la pantalla. Toque MORE TIME o LESS TIME y el tiempo cambiará en intervalos de 1 minuto. Presione y sostenga MORE TIME o LESS TIME y el tiempo cambiará en intervalos de 5 minutos.

**NOTA:** Los botones de Más tiempo (More Time) y Menos tiempo (Less Time) se pueden usar solamente con los ciclos programados (Timed Cycle) y el ciclo de retoque (Touch Up).



- Presione Temperatura (TEMPERATURE) hasta que la temperatura deseada se ilumine.

**NOTA:** Durante un ciclo programado, usted puede cambiar los ajustes para Tiempo, Temperatura, Protección antiarrugas (WRINKLE GUARD®) y la Señal de fin de ciclo (End of Cycle Signal). Presione Parada (STOP) dos veces para detener la secadora y borrar los ajustes. Seleccione otro ciclo u opción.

### Para usar un ciclo de Cuidado con vapor (SteamCare)

**NOTA:** Se encenderá una luz azul al lado de cada característica cuando se seleccione la característica o se encenderá una luz ámbar cuando la característica pueda ser seleccionada.

- No se recomienda usar hojas de suavizante de telas con los ciclos de cuidado con vapor (SteamCare), ya que puede ocasionar manchas temporarias en las prendas.
- Oprima el botón de suministro de energía (POWER). Luego gire el cuadrante para seleccionar el ciclo de Cuidado con vapor (SteamCare). La luz indicadora del ciclo seleccionado se iluminará de azul. Los modificadores prefijados del ciclo seleccionado se iluminarán de verde. Las opciones que puedan seleccionarse se pondrán de color ámbar. Si una opción o modificador no está disponible con el ciclo seleccionado, la luz no se iluminará. El tiempo real del ciclo (en minutos) aparecerá en la pantalla.
- Presione Más tiempo (MORE TIME) o Menos tiempo (LESS TIME) hasta que vea el tiempo de secado en la pantalla. Toque Más tiempo (MORE TIME) o Menos tiempo (LESS TIME) y el tiempo cambiará en intervalos de 1 minuto. Presione y sostenga Más tiempo (MORE TIME) o Menos tiempo (LESS TIME) y el tiempo cambiará en intervalos de 5 minutos.

**NOTA:** Los botones de Más tiempo y Menos tiempo se pueden usar solamente con los ciclos programados (Timed Cycles) y el ciclo de Retoque (Touch Up).



- Presione Temperatura (TEMPERATURE) hasta que aparezca la temperatura deseada.

**NOTA:** Durante el ciclo de Retoque (Touch Up), puede cambiar los ajustes de Tiempo (Time), Temperatura (Temperature), Protección antiarrugas (WRINKLE GUARD®) y la Señal de fin de ciclo (End of Cycle Signal). Durante el ciclo de Revitalizado (Refresh), usted puede cambiar la Protección antiarrugas (WRINKLE GUARD®) y la Señal de fin de ciclo (End of Cycle Signal). Presione Parada (STOP) dos veces para parar la secadora y despejar los ajustes. Seleccione otro ciclo u opción.

- (PASO OPCIONAL) Si lo desea, seleccione Opciones (OPTIONS). Para obtener más detalles, vea “Opciones”.
- (PASO OPCIONAL) Si lo desea, fije la señal de fin de ciclo. Seleccione Alto (LOUD) o Bajo (SOFT) presionando el botón de la señal de ciclo (Cycle Signal) para avisarle cuándo termina el ciclo.
- Presione y sostenga Inicio (START) durante unos 3 segundos hasta que la secadora inicie la marcha. Asegúrese de que la puerta esté cerrada.
  - Si no presiona START dentro de los 5 minutos de haber seleccionado el ciclo, la secadora se apaga automáticamente.
  - Si desea terminar el ciclo de secado después de presionar START, presione STOP dos veces.

## Detención de la marcha de la secadora

### Para detener su secadora en cualquier momento

Presione Parada (STOP) dos veces o abra la puerta.

## Pausa o reanudación de la marcha

### Para hacer una pausa de la secadora en cualquier momento

Abra la puerta o presione STOP una vez.

### Para reanudar la marcha de la secadora

Cierre la puerta. Presione y sostenga Inicio (START) hasta que la secadora inicie la marcha.

**NOTA:** El secado continuará desde la etapa en que se interrumpió el ciclo si usted cierra la puerta y presiona START dentro de los 5 minutos siguientes. Si se interrumpe el ciclo durante más de 5 minutos, la secadora se apagará. Seleccione nuevos ajustes de ciclo antes de volver a poner la secadora en marcha.

## Control bloqueado (Control Locked)

Esta característica le permite bloquear sus ajustes para evitar el uso accidental de la secadora. Asimismo puede usar la característica Control bloqueado (Control Locked) para evitar cambios accidentales de ciclo o de opción durante el funcionamiento de la secadora.

### Para activar la característica de control bloqueado:

Presione y sostenga Señal de ciclo (CYCLE SIGNAL) durante 3 segundos. La luz indicadora de Control bloqueado se ilumina y se oye un solo tono. Para desactivar, presione y sostenga CYCLE SIGNAL durante 3 segundos, y la luz indicadora se apaga.

## Sugerencias de ciclos y secado

Seleccione el ciclo y el nivel de secado o la temperatura correctos para su carga. Si está funcionando un ciclo de secado automático, la pantalla muestra el tiempo estimado del ciclo cuando su secadora detecta automáticamente el nivel de sequedad de su carga. Si está funcionando un ciclo programado o el ciclo de Cuidado con vapor (SteamCare), la pantalla muestra el número exacto de minutos restantes en el ciclo.

El enfriamiento (Cool Down) hace rotar la ropa sin calor durante los últimos minutos de todos los ciclos. El enfriamiento hace que las prendas se puedan manejar con más facilidad y reduce la formación de arrugas. La duración del enfriamiento depende del tamaño de la carga y el nivel de sequedad.

### Sugerencias de secado

- Siga las instrucciones de cuidado de la etiqueta cuando estén disponibles.
- Si desea, agregue una hoja de suavizante de telas. Siga las instrucciones del paquete.
- Quite la carga de la secadora tan pronto se detenga la rotación para reducir la formación de arrugas. Esto es de especial importancia para los tejidos de planchado permanente, de punto y de fibras sintéticas.
- Evite el secar la ropa de trabajo gruesa junto con telas livianas. Esto podría ocasionar un secado excesivo de las telas livianas, dando lugar a un mayor encogimiento o formación de arrugas de las mismas.

### Sugerencias de ciclos

- Seque la mayoría de las cargas usando los ajustes prefijados de ciclos.

- Consulte el cuadro de ajustes prefijados de los ciclos automáticos, programados o de cuidado con vapor (en la sección "Ciclos") a fin de obtener una guía para el secado de diversas cargas de ropa.

- La temperatura de secado y el nivel de sequedad están prefijados cuando usted elige un ciclo automático. Puede seleccionar un nivel de sequedad diferente según la carga, presionando Nivel de sequedad (Dryness Level) y eligiendo Más seco (More Dry), Normal o Menos seco (Less Dry).

**NOTA:** Usted no puede usar el ajuste de ciclo programado (Timed Cycle) ni puede modificar la temperatura con los ciclos automáticos (Auto Cycles).

- Si desea regular la duración de un ciclo programado, presione Más tiempo (More Time) o Menos tiempo (Less Time). Ajuste la temperatura de un ciclo programado presionando Temperatura (TEMPERATURE) hasta seleccionar la temperatura deseada.

**NOTA:** Usted no puede elegir el Nivel de sequedad con los ciclos programados o de cuidado con vapor.

## Luces de estado

Observe el progreso de su secadora con las luces indicadoras de estado.



### Ciclo programado (Timed Cycle)

La luz de ciclo programado (Timed Cycle) se ilumina de verde durante un ciclo programado.

### Mojado (Wet)

La luz de Wet se ilumina de verde al comienzo del secado automático (Auto Dry) si se detecta un artículo mojado, o en un ciclo programado después de 5 minutos.

- En un ciclo automático, si después de 5 minutos no se detecta un artículo húmedo, la secadora funcionará durante un tiempo mínimo prefijado (basado en el ciclo seleccionado y el ajuste del nivel de sequedad) y luego pasará a Enfriamiento (Cool Down). Los indicadores de Enfriamiento (Cool Down) y Protección antiarrugas (WRINKLE GUARD®) se iluminan de verde si han sido seleccionados.
- En un ciclo programado, la luz de húmedo (Wet) se iluminará de verde después de 5 minutos y se mantendrá encendida hasta que la secadora comience el Enfriamiento.
- En un ciclo con vapor, la luz de estado de Mojado (Wet) se iluminará de verde cuando el agua se suministra a la carga.

### Húmedo (Damp)

La luz de Damp se ilumina de verde en un ciclo automático (Auto Cycle) cuando la ropa está aproximadamente 80% seca. Esto es útil cuando usted quiere quitar artículos livianos en una carga mixta para evitar que se sequen en exceso, o para quitar artículos parcialmente secos que pudiesen necesitar un planchado. Para saber cuándo la carga está aproximadamente 80% seca, puede usar la opción de la señal de secado húmedo (Damp Dry Signal). Vea Señal de secado húmedo en "Opciones". La luz de húmedo (Damp) se ilumina de verde en un Ciclo con vapor (Steam) después de que el agua se suministra a la carga.

### Enfriamiento (Cool Down)

La luz de Cool Down se ilumina de verde durante la etapa de enfriamiento del ciclo. La ropa se enfría para facilitar su manejo.

## Ropa seca (Clothes Dry)

La luz de Clothes Dry se ilumina de verde cuando el ciclo de secado ha terminado. Esta luz indicadora permanece encendida con WRINKLE GUARD®.

## Protección antiarrugas (WRINKLE GUARD®)

La luz de WRINKLE GUARD® se ilumina de verde cuando se ha seleccionado esta opción. Esta luz indicadora permanece encendida con Ropa seca (Clothes Dry).

## Detección/revisión del tiempo estimado (Sensing/Revising Est. Time)

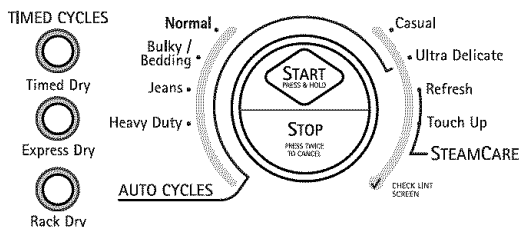
La luz de Detección/revisión de tiempo estimado se ilumina de verde cuando las bandas sensoras de humedad en el tambor de la secadora miden la cantidad de humedad en la ropa. La pantalla del tiempo estimado puede ajustarse para mostrar un tiempo de secado más preciso.

## Luces indicadoras

Otras luces indicadoras muestran los ajustes de ciclo, opciones, modificadores, de fin de ciclo y bloqueo de controles que se han seleccionado. La pantalla muestra el tiempo estimado o real restante.

## Ciclos

Seleccione el ciclo de secado de acuerdo con el tipo de carga que va a secar. Vea el cuadro de secado automático o el cuadro de los ajustes de ciclos programados.



## Ciclos automáticos (Auto Cycles)

Los ciclos automáticos le permiten regular el ciclo según la carga que va a secar. Vea el siguiente cuadro de Ajustes de ciclos prefijados para secado automático. Cada ciclo seca determinadas telas a la temperatura recomendada. Un sensor detecta la humedad de la carga y regula automáticamente el tiempo de secado para lograr un secado óptimo.

### Normal

Use este ciclo para obtener calor medio alto para secar telas resistentes como ropa de trabajo y sábanas.

### Artículos voluminosos/Ropa de cama (Bulky/Bedding)

Use este ciclo para obtener calor medio para secar artículos grandes que requieran tiempos de secado prolongados, tales como chaquetas, colchas y almohadas. Vuelva a arreglar la carga cuando suene la Señal de semi seco. Esto facilitará el proceso de secado. La Señal de semi seco está preprogramada en Encendido (ON). Vea "Opciones".

### Pantalones de mezclilla (Jeans)

Use este ciclo para obtener calor medio alto para secar pantalones de mezclilla.

## Secado intenso (Heavy Duty)

Use este ciclo para obtener calor alto para las cargas de mezclas de ropa pesada, toallas de algodón o cubrecamas.

## Informal (Casual)

Use este ciclo para obtener calor bajo para secar telas que no necesitan planchado como camisas deportivas, ropa de oficina informal y mezclas de planchado permanente.

## Ropa ultradelicada (Ultra Delicate)

Use este ciclo para obtener calor extra bajo para secar suavemente artículos como lencería, blusas o tejidos de punto lavables.

## Ajustes de ciclos prefijados de secado automático

Ciclos de secado automático Tipo de carga	Temperatura	Tiempo* (Minutos)
<b>NORMAL</b> Pantalones de pana, ropa de trabajo, sábanas	Media (Medium)	40
<b>Artículos voluminosos/ Ropa de cama (BULKY/BEDDING)</b> Chaquetas, colchas, almohadas	Media	60
<b>Prendas de mezclilla (JEANS)</b> Pantalones de mezclilla, chaquetas	Media alta (Medium High)	55
<b>Secado intenso (HEAVY DUTY)</b> Cargas pesadas mixtas, toallas de algodón, cubrecamas	Alta (High)	45
<b>Informal (CASUAL)</b> Fibras de planchado permanente, fibras sintéticas	Baja (Low)	35
<b>Ropa ultradelicada (ULTRA DELICATE)</b> Lencería, blusas, tejidos de punto lavables	Extra baja (Extra Low)	30

\*Tiempo estimado con el ajuste de Nivel de secado automático (Auto Dry Level) (Normal). El tiempo variará según el tipo y tamaño de carga.

## Ciclos de Cuidado con vapor (SteamCare)

Use los ciclos de Cuidado con vapor (SteamCare) para ayudar a suavizar las arrugas de los artículos que ya están secos, tales como ropa que ha sido usada o ropa que se ha dejado en la secadora por mucho tiempo. Al seleccionar el ciclo de Cuidado con vapor (SteamCare), la pantalla de tiempo estimado restante muestra el tiempo real restante en el ciclo.

**NOTA:** Los resultados pueden variar dependiendo de la tela. Pueden obtenerse mejores resultados con prendas de 100% algodón con acabado antiarrugas que las que no tienen.

### Revitalizado (Refresh) con Cuidado de vapor (SteamCare)

Este ciclo es mejor para suavizar las arrugas y reducir los olores de cargas que consisten en uno a cuatro artículos secos de algodón antiarrugas, mezclas de algodón y poliéster, tejidos comunes y prendas sintéticas. En este ciclo, se rocía una pequeña cantidad de agua en el tambor de la secadora después de algunos minutos de rotación con calor. La secadora continuará rotando con calor, seguido por un breve enfriamiento. El nivel de calor y el tiempo del ciclo no son ajustables.

### Retoque (Touch Up) con Cuidado de vapor (SteamCare)

Este ciclo es mejor para retocar la ropa que se ha dejado en la secadora por mucho tiempo. En este ciclo, se rocía una pequeña cantidad de agua en el tambor de la secadora después de algunos minutos de rotación con calor. La secadora continuará rotando con calor seguido por un breve enfriamiento. Pueden ajustarse el tiempo de secado y la temperatura para este ciclo.

**NOTA:** Al sobrecargar la secadora puede ser que no se obtengan los mismos resultados.

### Ajustes prefijados del ciclo de Cuidado con vapor (SteamCare)

Ciclos programados (Timed Cycles) Tipo de carga	Temperatura prefijada*	Tiempo prefijado (Minutos)*
<b>Revitalizado (REFRESH)</b> Ayuda a suavizar las arrugas y a reducir los olores de las cargas que consisten en uno a cuatro artículos secos.	Media alta (Medium High)	15
<b>Retoque (TOUCH UP)</b> Ayuda a suavizar las arrugas en las cargas que se han dejado en la secadora por mucho tiempo.	Media alta (Medium High)	20

\*Se pueden seleccionar la temperatura y el tiempo sólo para el ciclo de Retoque (Touch Up).

**NOTA:** El ciclo de Retoque (Touch Up) tiene un tiempo mínimo de secado de 15 minutos y un tiempo máximo de secado de 40 minutos. Sólo se pueden usar los ajustes de temperatura Media, Media alta y Alta para el ciclo de Retoque (Touch Up).

### Ciclos programados (Timed Cycles)

Use los ciclos programados para seleccionar una cantidad específica de tiempo de secado y temperatura de secado. Al seleccionar un ciclo programado, la pantalla de Tiempo estimado restante (Estimated Time Remaining) muestra el tiempo real restante del ciclo. Usted puede cambiar el tiempo real del ciclo al presionar Más tiempo (More Time) o Menos tiempo (Less Time). Vea "Cambio de ciclos, opciones y modificadores".

### Secado programado (Timed Dry)

Use este ciclo para terminar el secado de artículos que todavía están húmedos después de un ciclo automático. El secado programado es también útil para secar artículos pesados y voluminosos como cubrecamas y ropa de trabajo. Las prendas de peso liviano, tales como ropa de ejercicio, pueden secarse usando el secado programado en un ajuste bajo de temperatura.

Use los Ciclos programado/secado al aire (Timed Dry/Air Dry) para artículos que requieren secado sin calor, tales como artículos de goma, plástico y tejidos sensibles al calor. Esta tabla muestra ejemplos de artículos que pueden secarse usando los Ciclos programado/secado al aire (Timed Dry/Air Dry).

Tipo de carga	Temperatura prefijada	Tiempo* (Minutos)
Goma espuma - almohadas, brasieres acolchados, juguetes de peluche	Secado al aire (Air Dry)	20 - 30
Plástico - cortinas de ducha, manteles	Secado al aire (Air Dry)	20 - 30
Alfombras con reverso de goma	Secado al aire (Air Dry)	40 - 50
Olefina, polipropileno, náilon diáfano	Secado al aire (Air Dry)	10 - 20

\*Si lo necesita, vuelva a fijar el ciclo para completar el secado.

### Cuando use Secado programado/Secado al aire (Timed Dry/Air Dry)

- Revise si las cubiertas están debidamente cosidas.
- Sacuda y ahueque las almohadas a mano periódicamente durante el ciclo.
- Seque el artículo por completo. Las almohadas de goma espuma tardan en secar.

### Secado expreso (EXPRESS DRY™)

Use este ciclo para secar cargas pequeñas o cargas que necesitan un tiempo de secado corto.

### Secado con estante (Rack Dry)

Presione el botón de Secado con estante (Rack Dry) para usar este ciclo con el estante de secado para secar prendas con poco calor y sin rotación. Vea "Estante térmico de la secadora TUMBLE FREE™".

### Ajustes de ciclos prefijados programados

Ciclos programados Tipo de carga	Temperatura por omisión	Tiempo por omisión (Minutos)
<b>Secado programado (TIMED DRY)</b> Ropa pesada, ropa voluminosa, cubrecamas, ropa de trabajo	Alta (High)	40
<b>Secado expreso (EXPRESS DRY™)</b> Cargas pequeñas	Alta	23
<b>Secado con estante (RACK DRY)</b> Secado sin rotación	Baja (Low)	30

## Opciones

Usted puede personalizar sus ciclos al seleccionar opciones. No todas las opciones están disponibles con todos los ciclos. Las selecciones actuales se pondrán verdes. Si una opción no está disponible con un ciclo seleccionado, la luz no se encenderá cuando se la presione, y se escuchará un sonido de error.



### Protección antiarrugas (WRINKLE GUARD®)

WRINKLE GUARD® previene las arrugas que se forman cuando usted no puede descargar la secadora tan pronto termina el ciclo. Durante esta opción la secadora detiene la acción de rotación y luego rota nuevamente durante un período breve.

- Presione WRINKLE GUARD® para obtener hasta 2½ horas de rotación periódica sin calor al final del ciclo.
- Detenga WRINKLE GUARD® en cualquier momento presionando el botón WRINKLE GUARD® o abriendo la puerta de la secadora.
- La protección antiarrugas WRINKLE GUARD® está prefijada en encendido (ON) en el ciclo para ropa Informal (Casual). Los demás ciclos de secado automático conservarán el ajuste de la protección antiarrugas WRINKLE GUARD®. Por ejemplo, si usted selecciona WRINKLE GUARD® en el ciclo Normal, WRINKLE GUARD® se encenderá la próxima vez que usted seleccione el ciclo normal.

**NOTA:** Si usted no selecciona WRINKLE GUARD®, la secadora se detiene después del período de enfriamiento.

### Señal de secado húmedo (Damp Dry Signal)

Seleccione Damp Dry Signal para saber en qué momento su ropa está aproximadamente 80% seca. Esta señal es útil cuando usted quiere retirar artículos livianos de una carga mixta para evitar que se sequen demasiado, o para sacar artículos parcialmente secos que puedan necesitar planchado.

La señal de secado húmedo (DAMP DRY SIGNAL) es útil cuando esté secando sábanas/ropa de cama en una carga mixta o artículos grandes en el ciclo de "artículos voluminosos/ropa de cama" (Bulky/Bedding). Cuando suene la señal, abra la puerta para detener la secadora, vuelva a arreglar la carga dentro de la secadora, cierre la puerta y vuelva a poner la secadora en marcha para terminar el ciclo de secado. Al volver a arreglar la carga, esto ayudará en el proceso de secado.

Para el ciclo de "artículos voluminosos/ropa de cama" (Bulky/Bedding), la señal de secado húmedo (DAMP DRY) está prefijada en encendido (ON).

**NOTA:** La señal de secado húmedo es una opción que se dispone sólo con los ciclos de secado automático (Auto Cycles).

### Sonidos de los botones ( Button Sounds)

Puede cambiar el volumen del sonido de los bips. Oprima Sonidos de los botones (BUTTON SOUNDS) hasta que el volumen deseado (Alto, Bajo o Apagado) se ilumine. Los botones de Encendido (Power) y Anulación (Cancel) harán un bip suave cuando el volumen de Sonidos de los botones está en Apagado (Off).

### Luz del tambor (Drum Light)

Oprima la luz del tambor (Drum Light) para encender la luz que está dentro del tambor de la secadora. Durante un ciclo, si se selecciona la luz del tambor, ésta se enciende y permanecerá encendida hasta que se presione nuevamente la luz del tambor (DRUM LIGHT), se abra y cierre la puerta o se deje la misma abierta por 5 minutos.

Cuando la secadora no esté funcionando, la luz del tambor se encenderá cuando se la presione (DRUM LIGHT) o se abra la puerta de la secadora; permanecerá encendida hasta que la puerta de la secadora se haya dejado abierta por 5 minutos, se cierre la puerta de la secadora o se presione nuevamente la luz del tambor (DRUM LIGHT).

Presione DRUM LIGHT en cualquier momento para encender (ON) o apagar (OFF) la luz del tambor.



## Modificadores

Use los modificadores para seleccionar el tiempo, las temperaturas y los niveles de sequedad para los ciclos programados (Timed Cycles). No todos los modificadores están disponibles con todos los ciclos y opciones. Los ajustes de modificadores que estén disponibles se pondrán de color ámbar. Las selecciones actuales se pondrán verdes. Si un modificador no está disponible cuando se selecciona un ciclo, la luz no se encenderá.

### Tiempo

Presione MORE TIME (Más tiempo) o LESS TIME (Menos tiempo) hasta que se vea el tiempo de secado que desea. No se puede cambiar el tiempo con los ciclos automáticos (Auto Cycles).



### Temperatura (Temperature)

Presione Temperatura (TEMPERATURE) hasta que se ilumine el ajuste deseado de temperatura. Los modificadores de la temperatura no pueden usarse con los ciclos automáticos (Auto Cycles) o con los ciclos de Secado con estante (Rack Dry) o Esponjar (Air Fluff).



### Nivel de sequedad (Dryness Level)

Presione nivel de sequedad (DRYNESS LEVEL) hasta seleccionar el ajuste deseado de nivel de sequedad. El nivel de sequedad no puede ajustarse con los ciclos programados.



## Cambio de ciclos, opciones y modificadores

Usted puede cambiar los ciclos automáticos (Auto Cycles), programados (Timed Cycles), modificadores y opciones en cualquier momento antes de presionar Inicio (Start).

- Al seleccionar una combinación no disponible se escuchan tres tonos cortos. No se aceptará la última selección.

### Cambio de ciclos después de presionar Inicio

1. Presione Parada (STOP) dos veces. Esto termina el ciclo actual.
2. Seleccione el ciclo de secado y las opciones deseados.
3. Presione y sostenga Inicio (START). La secadora vuelve a funcionar al comienzo del nuevo ciclo.

**NOTA:** Si usted no oprime START dentro de los 5 minutos de haber seleccionado el ciclo, la secadora se apaga automáticamente.

### Cambio de opciones y modificadores después de presionar Inicio

Usted puede cambiar una opción o modificador en cualquier momento antes de que comience la opción o modificador seleccionado.

1. Presione STOP una vez.
2. Seleccione la nueva opción y/o modificador.
3. Presione y sostenga START para continuar el ciclo.

**NOTA:** Si accidentalmente presiona STOP dos veces, el programa se despejará y la secadora se apagará. Vuelva a iniciar el proceso de selección.

### Cómo cambiar los ajustes prefijados de nivel de sequedad (Dryness Level)

Si todas las cargas de los ciclos de secado automático (Auto Dry) no están tan secas como usted quisiera, puede cambiar los ajustes prefijados de nivel de sequedad (Dryness Level) para aumentar la sequedad. Este cambio afectará todos los ciclos de secado automático.

Los ajustes de nivel de sequedad pueden ajustarse para adecuarse a las diferentes instalaciones, las condiciones del medio ambiente o las preferencias personales. Existen 3 ajustes de secado: 1 (nivel de sequedad prefijado de fábrica), 2 (prendas ligeramente más secas, aproximadamente 15% más de tiempo de secado) y 3 (prendas mucho más secas, aproximadamente 30% más de tiempo de secado).

1. Los ajustes de nivel de sequedad no pueden cambiarse mientras esté funcionando la secadora.
2. Presione y sostenga el botón de nivel de sequedad (DRYNESS LEVEL) por 5 segundos. La secadora sonará, y aparecerá en la pantalla "CF" por 1 segundo seguido del ajuste de secado actual.
3. Para seleccionar un nuevo ajuste de secado, presione nuevamente el botón de nivel de sequedad (DRYNESS LEVEL) hasta que aparezca el ajuste de secado deseado.

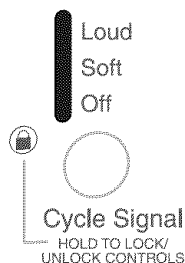
**NOTA:** Entre los ciclos de ajustes, el ajuste actual no destellará, pero sí los otros ajustes.

4. Presione Inicio (START) para grabar el ajuste de secado. El ajuste de secado que usted seleccionó se convertirá en el nuevo ajuste de secado prefijado para todos los ciclos de secado automático.

## Señal de fin de ciclo

### Señal de fin de ciclo (End of Cycle Signal)

La señal de fin de ciclo produce un tono una vez terminado el ciclo. Al sacar la ropa tan pronto termina el ciclo se reduce la formación de arrugas.



Presione Señal de ciclo (CYCLE SIGNAL) para regular el nivel de sonido o para apagar la señal.

**NOTA:** Siempre que se seleccione Protección antiarrugas (WRINKLE GUARD®) y la señal de fin de ciclo esté encendida, se escuchará un tono cada cinco minutos hasta que se saque la ropa, o se termine la acción de WRINKLE GUARD®.

## Estante térmico de la secadora TUMBLE FREE™

El estante de secado fue embalado en su lugar dentro de su secadora. Retire y deshágase del material de embalaje antes de usarlo.

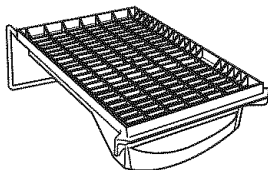
Use el estante térmico de la secadora TUMBLE FREE™ (secado sin rotación) para artículos que usted no quiere secar con rotación, como son suéteres. Cuando usted usa el estante térmico de la secadora, el aire caliente dentro de la secadora fluye a un ritmo concentrado para permitir un secado uniforme y eficaz.

Se recomienda usar el estante de secado con el ciclo de Secado con estante (Rack Dry) o Esponjar (Air Fluff). El estante de secado no puede usarse con los ciclos automáticos.

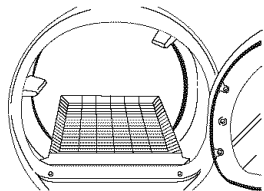
### Para usar el estante térmico de secado:

No quite el filtro de pelusa.

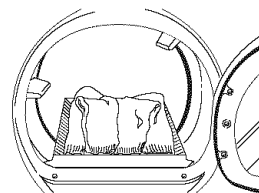
1. Abra la puerta de la secadora.



2. Coloque el estante térmico encima de la parte inferior de la abertura de la puerta de la secadora. Coloque el alambre posterior sobre el reborde posterior de la secadora. Empuje hacia abajo el frente del marco, para asegurarlo sobre el filtro de pelusa.



3. Coloque los artículos mojados encima del estante. Deje espacio alrededor de los artículos para que circule el aire. El estante no se mueve, pero el tambor rotará. Asegúrese que los artículos no cuelguen por los bordes o entre las rejillas del estante.



4. Cierre la puerta.
5. Seleccione Secado programado/Sólo aire (Timed Dry/Air Dry). Los artículos que contengan espuma, hule o plástico deben secarse en un tendedero o usando el ciclo de Secado programado/Sólo aire (Timed Dry/Air Dry). Consulte el cuadro a continuación.
6. Cuando se seleccionan estos ciclos, la pantalla de Tiempo restante estimado (Estimated Time Remaining) muestra el tiempo prefijado. Usted puede cambiar el tiempo del ciclo presionando Más Tiempo (More Time) o Menos Tiempo (Less Time).
7. Ponga la secadora en marcha.

**NOTA:** Revise el filtro de pelusa y quite cualquier pelusa acumulada proveniente de los artículos que se han secado en el estante, después que finaliza el ciclo.

Estante de la secadora	Ciclo	Temp.	Tiempo*
<b>Suéteres de lana</b> Darles la forma original y colocarlos extendidos sobre el estante de secado	Secado con estante (Rack Dry)	Baja (Low)	60
<b>Juguetes de peluche o almohadas</b> Rellenos de fibras de algodón o poliéster	Secado con estante (Rack Dry)	Baja	60
<b>Juguetes de peluche o almohadas</b> Rellenos con hule espuma	Secado programado (Timed Dry)	Sólo aire (Air Only) (sin calor)	90
<b>Zapatos tenis o zapatos de lona</b>	Secado programado (Timed Dry)	Sólo aire (sin calor)	90

\*Reajuste el tiempo para terminar de secar, si fuera necesario.

**NOTA:** Usted debe quitar el estante para un secado normal. Para quitar el estante de secado, levántelo hacia arriba y hacia afuera de la secadora.

# CUIDADO DE LA SECADORA

## Limpieza del lugar donde está la secadora

Mantenga el área donde está la secadora despejada y libre de artículos que pudieran obstruir el flujo de aire para la combustión y la ventilación.

### ⚠ ADVERTENCIA



#### Peligro de Explosión

Mantenga los materiales y vapores inflamables, como la gasolina, lejos de la secadora.

Coloque la secadora a un mínimo de 46 cm sobre el piso para la instalación en un garaje.

No seguir estas instrucciones puede ocasionar la muerte, explosión o incendio.

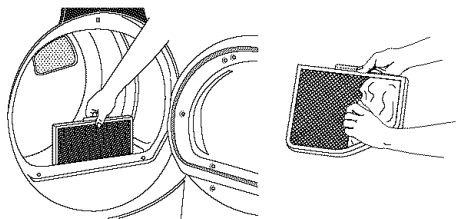
## Limpieza del filtro de pelusa

### Limpieza de cada carga

El filtro de pelusa está localizado en la abertura de la puerta de la secadora. El panel de control tiene una luz indicadora para recordarle que tiene que limpiar el filtro de pelusa antes o después de cada carga. Un filtro obstruido con pelusa puede aumentar el tiempo de secado.

#### Para limpiar

1. Jale el filtro de pelusa en sentido recto hacia arriba. Quite la pelusa del filtro enrollándola con sus dedos. No enjuague ni lave el filtro para quitar la pelusa. La pelusa mojada es difícil de quitar.



2. Empuje el filtro de pelusa firmemente de vuelta en su lugar.

#### IMPORTANTE:

- No ponga a funcionar la secadora con un filtro de pelusa flojo, dañado, obstruido o sin él. El hacerlo puede causar un sobrecalentamiento y dañar tanto la secadora como la ropa.
- Si al quitar la pelusa del filtro, ésta cae en la secadora, revise la capota de ventilación y quite la pelusa. Vea "Requisitos de ventilación".

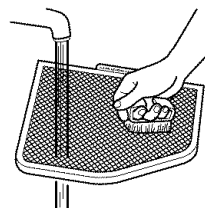
### Limpieza según la necesidad

Los residuos de detergente de lavandería y suavizante de telas pueden acumularse en el filtro de pelusa. Esta acumulación puede ocasionar tiempos de secado más prolongados para su ropa, o hacer que la secadora se detenga antes de que su carga esté completamente seca. Si la pelusa se cae del filtro, es probable que el filtro esté obstruido.

Limpie el filtro de pelusa con un cepillo de nylon cada 6 meses o con más frecuencia si se obstruye debido a la acumulación de residuos.

#### Para lavar

1. Quite la pelusa del filtro enrollándola con sus dedos.
2. Moje ambos lados del filtro de pelusa con agua caliente.
3. Moje un cepillo de nylon con agua caliente y detergente líquido. Talle el filtro de pelusa con el cepillo para quitar la acumulación de residuos.



4. Enjuague el filtro con agua caliente.
5. Seque meticulosamente el filtro de pelusa con una toalla limpia. Vuelva a colocar el filtro en la secadora.

## Limpieza del interior de la secadora

### Para limpiar el tambor de la secadora

1. Haga una pasta con un detergente de lavandería en polvo y agua bien tibia.
2. Aplique la pasta a un paño suave.  
**O**  
Aplique al área manchada un producto de limpieza doméstico líquido, no inflamable y frótelo con un paño suave hasta quitar todo el exceso de tinte y manchas.
3. Limpie el tambor meticulosamente con un paño húmedo.
4. Ponga a funcionar la secadora con una carga de ropa limpia o toallas para secar el tambor.

**NOTA:** Las prendas que contienen tintes desteñibles, tales como los pantalones de mezclilla o artículos de algodón de colores vivos, pueden teñir el interior de la secadora. Estas manchas no dañan su secadora y no mancharán las cargas de ropa futuras. Seque al revés los artículos que destiñen para evitar la transferencia de tintes.

## Eliminación de pelusa acumulada

### En el interior de la carcasa de la secadora

Según el uso de la secadora, se debe quitar la pelusa cada 2 años, o con más frecuencia. La limpieza deberá efectuarla una persona calificada.

### En el ducto de escape

La pelusa debe ser quitada cada 2 años, o con más frecuencia, de acuerdo con el uso de la secadora.

---

## Mangueras de entrada de agua

Reemplace las mangueras de entrada y el filtro de la manguera después de 5 años de uso para reducir el riesgo de que fallen. Revise periódicamente y cambie las mangueras de entrada si se hallan protuberancias, torceduras, cortes, desgaste o pérdidas de agua.

Cuando reemplace las mangueras de entrada del agua, anote la fecha de reposición.

---

## Cuidado durante las vacaciones, el almacenamiento y las mudanzas

Instale y guarde su lavadora en un lugar donde no se congele. Debido a que queda un poco de agua en las mangueras, el congelamiento de la misma podría dañar su secadora. Si va a guardar o trasladar su secadora durante una temporada de invierno riguroso, acondiciónela para el invierno.

---

### Cuidado para las vacaciones o falta de uso

Ponga la secadora a funcionar sólo cuando esté en casa. Si va a salir de vacaciones o no va a usar su secadora por un tiempo prolongado, usted deberá:

1. Desenchufe la secadora y desconectar el suministro de energía.
  2. Cerrar la válvula de cierre en la línea de suministro de gas.
  3. Limpiar el filtro de pelusa. Vea "Limpieza del filtro de pelusa".
  4. Interrumpir el suministro de agua a la secadora. Esto ayuda a evitar inundaciones accidentales (debido a aumentos en la presión del agua) en ausencia suya.
- 

### Para acondicionar la secadora para el invierno

1. Desenchufe la secadora o desconecte el suministro de energía.
  2. Cierre el grifo de agua.
  3. Cierre la válvula de cierre en la línea de suministro de gas.
  4. Desconecte la manguera de entrada de agua del grifo y elimine el agua.
- 

### Para volver a usar la secadora

1. Deje correr agua por las tuberías. Vuelva a conectar la manguera de entrada del agua al grifo. Abra el grifo del agua.
  2. Enchufe la secadora o reconecte el suministro de energía.
  3. Abra la válvula de la línea de suministro de gas.
- 

---

## Cuidado para la mudanza

---

1. Desenchufe el cable de suministro de energía.
  2. Cierre la válvula de suministro de agua.
  3. Desconecte la manguera de entrada de agua del grifo y elimine el agua de la manguera. Transporte la manguera en forma separada.
  4. Cierre la válvula de cierre en la línea de suministro de gas.
  5. Desconecte el tubo de la línea de suministro de gas y quite las piezas de conexión adheridas al tubo de la secadora.
  6. Ponga una tapa en la línea abierta del suministro de combustible.
  7. Asegúrese de que las patas niveladoras estén fijadas en la base de la secadora.
  8. Use cinta adhesiva protectora para asegurar la puerta de la secadora.
- 

### Cómo volver a instalar la secadora

---

Siga las "Instrucciones de instalación" para ubicar, nivelar y conectar la secadora.

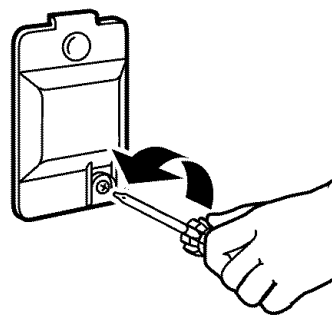
---

## Cambio de la luz del tambor

La luz de la secadora se enciende automáticamente en el interior del tambor de la secadora cuando usted abre la puerta.

### Para cambiar la luz del tambor

1. Desenchufe la secadora o desconecte el suministro de energía.
2. Abra la puerta de la secadora. Localice la cubierta del foco de luz en la pared posterior de la secadora. Quite el tornillo ubicado en la esquina inferior derecha de la cubierta. Quite la cubierta.



3. Gire el foco en sentido contrario a las manecillas del reloj. Reemplácelo únicamente con un foco para electrodomésticos de 10 Watts. Vuelva a colocar la cubierta en su lugar y asegúrela con el tornillo.
4. Enchufe la secadora o reconecte el suministro de energía.

# SOLUCIÓN DE PROBLEMAS

Pruebe primero las soluciones aquí sugeridas y posiblemente se evite el costo de una visita de servicio técnico...

## Funcionamiento de la secadora

### La secadora no funciona

- **¿Hay un fusible de la casa fundido o se disparó el cortacircuitos?**  
Reemplace el fusible o reposicione el cortacircuitos. Si el problema continúa, llame a un electricista.
- **¿Se usó un fusible regular?** Use un fusible retardador.
- **¿Está cerrada con firmeza la puerta de la secadora?**  
Si la parte superior de la puerta no queda asegurada cuando usted presiona el botón de inicio, el control hará un sonido de bip 3 veces. Abra la puerta, vuelva a cerrarla firmemente y ponga en marcha la secadora.
- **¿Se oprimió con firmeza el botón de Inicio (Start)?**  
Para cargas más grandes puede ser necesario presionar y sostener el botón de Inicio (Start) por 2 a 5 segundos.

### Sin calor

- **¿Hay un fusible de la casa fundido o se disparó el cortacircuitos?**  
El tambor quizás rote pero sin calor. Reemplace el fusible o reposicione el cortacircuitos. Si el problema continúa, llame a un electricista.
- **¿Está la válvula abierta en la línea de suministro de gas?**

### Sonidos raros

- **¿Ha estado la secadora sin uso por una temporada?**  
Si no se ha usado la secadora por una temporada, es posible que se escuche un sonido fuerte durante los primeros minutos de funcionamiento.
- **¿Es una secadora a gas?**  
El chasquido de la válvula de gas es un sonido de funcionamiento normal.
- **¿Hay una moneda, botón o sujetapapeles entre el tambor y la parte frontal o trasera de la secadora?** Revise los bordes frontales y traseros del tambor para verificar si hay objetos pequeños. Limpie los bolsillos antes del lavado.
- **¿Están las cuatro patas instaladas y está la secadora nivelada de frente hacia atrás y de lado a lado?**  
La secadora puede vibrar si no está instalada adecuadamente. Vea las Instrucciones de instalación.
- **¿Las prendas están enredadas o hechas un ovillo?**  
Si la carga está hecha un ovillo, rebotará haciendo vibrar a la secadora. Separe los artículos de la carga y reinicie la secadora.

### La secadora muestra mensajes codificados

- **“PF” (corte de corriente), revise lo siguiente:**  
¿Se ha interrumpido el ciclo de secado por un corte de corriente? Presione y sostenga Inicio (START) para reanudar la marcha de la secadora.
- **“F” Códigos de servicio técnico variables (F1, F2, F20):**  
Llame solicitando servicio técnico.

## Resultados de la secadora

**Las prendas no se secan satisfactoriamente, los tiempos de secado son demasiado largos, la carga está demasiado caliente**

- **¿Está el filtro de pelusa obstruido con pelusa?**  
El filtro de pelusa debe ser limpiado antes de cada carga.

## ⚠ ADVERTENCIA



### Peligro de Incendio

Use un ducto de escape de metal pesado.

No use un ducto de escape de plástico.

No use un ducto de escape de aluminio.

No seguir estas instrucciones puede ocasionar la muerte o incendio.

- **¿Está obstruido con pelusa el ducto de escape o la capota de ventilación exterior, restringiendo el flujo del aire?** Ponga a funcionar la secadora unos 5 a 10 minutos. Ponga su mano debajo de la capota de ventilación exterior, para verificar el movimiento del aire. Si no lo siente, limpie la pelusa del sistema de ventilación o reemplace el ducto de escape con uno de metal pesado o de metal flexible. Vea las Instrucciones de instalación.
- **¿Están las hojas del suavizante de telas bloqueando la rejilla?**  
Use únicamente una hoja del suavizante de telas y úsela una sola vez.
- **¿Tiene el ducto de escape el largo correcto?**  
Controle el ducto de escape para verificar que no sea demasiado largo o no dé demasiadas vueltas. Una ventilación larga aumentará el tiempo de secado. Vea las Instrucciones de instalación.

- **¿Es el diámetro del ducto de escape del tamaño correcto?**  
Use un material de ventilación de 4" (10,2 cm) de diámetro.

## ⚠ ADVERTENCIA



### Peligro de Explosión

Mantenga los materiales y vapores inflamables, como la gasolina, lejos de la secadora.

Coloque la secadora a un mínimo de 46 cm sobre el piso para la instalación en un garaje.

No seguir estas instrucciones puede ocasionar la muerte, explosión o incendio.

- **¿Está la secadora ubicada en una habitación cuya temperatura está debajo de 7°C (45°F)?**  
El funcionamiento apropiado de los ciclos de la secadora requiere temperaturas superiores a 7°C (45°F).
- **¿Está la secadora ubicada en un clóset?**  
Las puertas del clóset deben tener aberturas de ventilación en la parte superior e inferior de la puerta. Para la mayoría de las instalaciones, la parte trasera necesita 5" (12,7 cm). Vea las Instrucciones de instalación.
- **¿Se ha seleccionado un modificador de secado al aire?**  
Seleccione la temperatura correcta para el tipo de prendas que se estén secando. Vea "Modificadores".
- **¿Está la carga demasiado voluminosa y pesada para secarse con rapidez?**  
Separe la carga de modo que pueda rotar libremente.

### El tiempo del ciclo es demasiado corto

## ⚠ ADVERTENCIA

### Peligro de Peso Excesivo

Use dos o más personas para mover e instalar la secadora.

No seguir esta instrucción puede ocasionar una lesión en la espalda u otro tipo de lesiones.

- **¿Está terminando más rápido el ciclo automático?**  
Quizás la carga no está haciendo contacto con las bandas del detector. Nivele la secadora.  
  
Cambie el ajuste del nivel de secado en ciclos automáticos. Aumentar o disminuir el nivel de secado cambiará la cantidad de tiempo de secado en un ciclo.  
  
No use un estante de secado con un ciclo automático.

### Pelusa en la ropa

- **¿Está obstruido el filtro de pelusa?**  
Limpie el filtro de pelusa. Verifique si hay movimiento de aire.

### Manchas en la carga o en el tambor

- **¿Se ha empleado adecuadamente el suavizante de telas?**  
Agregue hojas de suavizante de telas al comienzo del ciclo. Las hojas del suavizante de telas que se agregan a una carga parcialmente seca pueden manchar las prendas.  
  
Las manchas en el tambor están causadas por los tintes en las prendas (habitualmente los pantalones de mezclilla). Esto no se transferirá a otras prendas.

### Ropa arrugada

- **¿Se ha sacado la ropa de la secadora al final del ciclo?**  
Seleccione el ciclo de Retoque (Touch Up) para hacer girar la carga con agua y calor, para ayudar a suavizar las arrugas de una carga que se ha dejado en la secadora.
- **¿Se ha sobrecargado la secadora?**  
Seque cargas menos voluminosas que puedan rotar con libertad. Con las cargas más pequeñas, de 1 a 4 prendas, se obtienen mejores resultados con el ciclo de revitalizado (Refresh). Los resultados pueden variar también, dependiendo del tipo de tela. Este ciclo es el mejor para reducir las arrugas y los olores de las cargas que consisten en artículos de algodón antiarrugas, mezclas de algodón y poliéster, tejidos comunes y prendas sintéticas.
- **¿Están las cargas todavía arrugadas después del ciclo de cuidado con vapor (SteamCare)?**  
Asegúrese de que se ha conectado el agua a la secadora. Verifique que la manguera de entrada de agua esté conectada tanto al grifo como a la válvula de entrada de agua de la secadora. Verifique que esté conectado el suministro de agua. Este ciclo es el mejor para suavizar las arrugas y reducir los olores de las cargas que consisten en artículos secos de algodón antiarrugas, mezclas de algodón y poliéster, tejidos comunes y prendas sintéticas.  
  
**NOTA:** Vea las instrucciones de la etiqueta de cuidado de las prendas. No se recomienda para las prendas que se laven en seco solamente.

### Olores

- **¿Ha estado pintando, tiñendo o barnizando recientemente el área donde se encuentra la secadora?**  
De ser así, ventile el área. Cuando los olores o humos se hayan esfumado del área, vuelva a lavar y secar la ropa.
- **¿Se ha conectado el agua a la secadora?**  
Verifique que la manguera de entrada de agua esté conectada tanto al grifo como a la válvula de entrada de agua de la secadora. Verifique que esté conectado el suministro de agua.
- Para quitar los olores que queden en las prendas después de usarlas, seleccione el ciclo de revitalizado (Refresh), para las cargas pequeñas de 1 a 4 prendas.

# CONTRATOS DE PROTECCIÓN

## Contratos maestros de protección

*¡Felicitaciones por su inteligente adquisición!* Su nuevo producto Kenmore® está diseñado y fabricado para proporcionarle años de funcionamiento confiable. Pero al igual que todos los productos, puede necesitar mantenimiento preventivo o reparación de vez en cuando. Es allí donde el Contrato maestro de protección puede ahorrarle dinero e inconvenientes.

El Contrato maestro de protección también ayuda a prolongar la vida de su nuevo producto. He aquí lo que se incluye en el Contrato\*:

- ✓ **Piezas y mano de obra** necesarias para ayudar a mantener los productos funcionando correctamente **bajo uso normal**, no sólo en caso de defectos. Nuestra cobertura va **mucho más allá de la garantía del producto**. No existen deducibles ni fallas de funcionamiento que estén excluidas de la cobertura — **protección verdadera**.
- ✓ **Servicio experto** a cargo de un personal de más de 10.000 **técnicos de servicio autorizados por Sears**, lo que significa que su producto será reparado por alguien en quien usted puede confiar.
- ✓ **Llamadas de servicio ilimitado y servicio en todo el país**, con la frecuencia que usted desee, cuando usted desee.
- ✓ **Garantía “sin disgustos”** – reemplazo de su producto protegido si ocurren cuatro fallas o más del producto en el transcurso de doce meses.
- ✓ **Reemplazo del producto** si su producto protegido no puede ser reparado.
- ✓ **Revisión anual de mantenimiento preventivo** a solicitud suya – sin costo adicional.

- ✓ **Ayuda rápida por teléfono** – lo que nosotros llamamos **Solución rápida** – apoyo por teléfono a cargo de un representante de Sears para todos los productos. Piense en nosotros como si fuéramos un “manual parlante para el propietario”.
- ✓ **Protección de sobrevoltaje** contra daños eléctricos debido a fluctuaciones de electricidad.
- ✓ **Protección por pérdida de comida, por un valor anual de \$250**, por cualquier pérdida de comida que sea como resultado de fallas mecánicas de cualquier refrigerador o congelador cubierto bajo la garantía.
- ✓ **Reembolso de la renta** si la reparación de su producto protegido tarda más de lo prometido.
- ✓ **10% de descuento** sobre el precio común por el servicio de reparación que no esté bajo protección, así como también las piezas relacionadas con el mismo que se hayan instalado.

Una vez adquirido el Contrato, tan sólo tiene que llamar para fijar la visita de servicio técnico. Usted puede llamar a cualquier hora, de día o de noche, o fijar una visita técnica en Internet.

El Contrato maestro de protección es una compra sin riesgo. Si por algún motivo usted lo cancela durante el período de la garantía del producto, le proveeremos un reembolso total. O un reembolso proporcional en cualquier momento posterior a la expiración del período de la garantía. ¡Adquiera hoy su Contrato maestro de protección!

**Se aplican algunas limitaciones y exclusiones. Para obtener precios e información adicional en EE.UU., llame al 1-800-827-6655.**

**\*La cobertura en Canadá varía en algunos artículos. Para obtener los detalles completos, llame a Sears Canada al 1-800-361-6665.**

## Servicio de Instalación de Sears

Para la instalación profesional de Sears de aparatos electrodomésticos, abridores de puertas de garaje, calentadores de agua y otros artículos principales del hogar, en los EE.UU. o en Canadá llame al **1-800-4-MY-HOME®**.

# Get it fixed, at your home or ours!

## Your Home

For repair – **in your home** – of **all** major brand appliances, lawn and garden equipment, or heating and cooling systems, **no matter who made it, no matter who sold it!**

For the replacement parts, accessories and owner's manuals that you need to do-it-yourself.

For Sears professional installation of home appliances and items like garage door openers and water heaters.

**1-800-4-MY-HOME<sup>®</sup>** (1-800-469-4663)

Call anytime, day or night (U.S.A. and Canada)

[www.sears.com](http://www.sears.com)    [www.sears.ca](http://www.sears.ca)

*For expert home solutions advice: [www.managemyhome.com](http://www.managemyhome.com)*

---

## Our Home

For repair of carry-in items like vacuums, lawn equipment, and electronics, call or go on-line for the location of your nearest

**Sears Parts & Repair Service Center**

**1-800-488-1222** (U.S.A.)    **1-800-469-4663** (Canada)

Call anytime, day or night

[www.sears.com](http://www.sears.com)    [www.sears.ca](http://www.sears.ca)

---

To purchase a protection agreement on a product serviced by Sears:

**1-800-827-6655** (U.S.A.)

**1-800-361-6665** (Canada)

---

Para pedir servicio de reparación a domicilio, y para ordenar piezas:

**1-888-SU-HOGAR<sup>®</sup>**

(1-888-784-6427)

Au Canada pour service en français:

**1-800-LE-FOYER<sup>MC</sup>**

(1-800-533-6937)

[www.sears.ca](http://www.sears.ca)

