

MODEL 9000 16 HP Generator

Item # 56900
Owner's Manual
Manual del Propietario



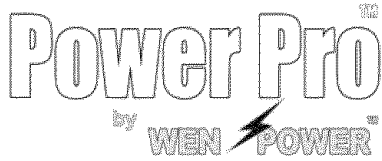
DO NOT RETURN TO STORE

**Questions? Problems?
Please call our customer help line:**

(800) 232-1195 M-F 8-5 CT

Thank you for purchasing a model 9000 generator. This manual provides information regarding the operation and maintenance of this product. We have made every effort to ensure the accuracy of the information in this manual. Wen Power™ reserves the right to change this product at any time without prior notice.

Please keep this manual available to all users during the entire life of the generator.



MODEL 9000

16 HP Generator

FEATURES

- *9000 Surge Watt Output*
- *7500 Maximum Watt Output*
- *6500 Rated Watt Output*
- *Powerful Enough to Run Essential Appliances During Power Outages*
- *120 and 240 Volt AC Outputs*
- *12V/8.3A DC Output*
- *AVR: Automatic Voltage Regulator Protects Generator from Overload or Short Circuit.*
- *Electric and Manual Start*
- *Low Oil Automatic Shutoff*
- *Circuit Breaker for Overload Protection*
- *6.5 Gallon Fuel Tank Capacity*
- *Meets EPA Emission Standards*

TABLE OF CONTENTS


GENERAL SAFETY PROCEDURES	1
PACKAGE CONTENTS	5
GENERATOR COMPONENTS	6
ASSEMBLY	7
Attach Handles	7
Attach Wheels	8
Attach Foot.....	8
PREPARING THE GENERATOR FOR USE	9
Using the Generator for the First Time	9
Step 1- Connect the Battery	9
Step 2- Add oil.....	10
Step 4- Ground the Generator.....	11
Subsequent Use of the Generator	12
Step 1- Check the Oil.....	12
Step 2 – Check the Gas Level.....	12
Step 3- Ground the Generator.....	13
STARTING THE GENERATOR	14
Electric Start.....	14
Manual Start.....	15
USING THE GENERATOR	17
AC Usage	17
DC USAGE.....	19
STOPPING THE GENERATOR	20
MAINTENANCE / CARE	20
Cleaning the Generator.....	21
Checking the Oil.....	21
Changing/ Adding Oil	21
Air Cleaner Maintenance.....	22
Fuel Filter Cup Cleaning	23
Spark Plug Maintenance.....	24
Emptying the Gas Tank	24
Changing the Battery.....	25
STORAGE / TRANSPORT PROCEDURES	25
SPECIFICATIONS	26
TROUBLESHOOTING	27
EXPLODED VIEW AND PARTS LIST	28
WIRING DIAGRAM	Error! Bookmark not defined.
LIMITED WARRANTY FOR POWER PRO™ GENERATORS FROM WEN POWER™	32

NOTICE REGARDING EMISSIONS

Engines that are certified to comply with U.S. EPA emission regulations for SORE (Small Off Road Equipment), are certified to operate on regular unleaded gasoline, and may include the following emission control systems: (EM) Engine Modifications and (TWC) Three-Way Catalyst (if so equipped).

GENERAL SAFETY PROCEDURES

Please familiarize yourself with the following safety symbols and words:

The safety alert symbol  is used with one of the safety words (**DANGER, CAUTION, or WARNING**) to alert user to hazards. Please pay attention to these hazard notices both in this manual and on the generator.


DANGER: Indicates a hazard that will result in serious injury or death if instructions are not followed.

WARNING: Indicates a strong possibility of causing serious injury or death if instructions are not followed.

CAUTION: Indicates a possibility of personal injury or equipment damage if instructions are not followed.





If you have any questions regarding the hazard and safety notices listed in this manual or on the product, please call (800) 232-1195 M-F 8-5CT before using the generator.

 DANGER: POISONOUS GAS. Generators give off carbon monoxide, a poisonous gas that can kill you quickly. You **CANNOT** smell it, see it, or taste it.

- **ONLY** run generator outdoors and away from air intakes, open windows, and garages.
- Never use inside homes, garages, or sheds, **EVEN IF** you run a fan or open doors and windows.

If you start to feel sick, dizzy, or weak while using the generator, shut it off and get to fresh air **RIGHT AWAY**. See a doctor. You may have carbon monoxide poisoning.

 WARNING: The exhaust from this product contains chemicals known to the State of California to cause cancer, birth defects, or other reproductive harm.

 WARNING: Battery gives off explosive hydrogen gas

- Keep battery away from spark, flame, or cigarette.
- Do not connect or disconnect battery while generator is running.
- Service or use battery only in well ventilated areas.

▲ WARNING: This generator may emit highly flammable and explosive gasoline vapors, which can cause severe burns or even death. A nearby open flame can lead to explosion even if not directly in contact with gas.

- Do not operate near open flame.
- Do not smoke near generator.
- Always operate on a firm, level surface.
- Always turn generator off before refueling. Allow generator to cool for at least 2 minutes before removing fuel cap. Loosen cap slowly to relieve pressure in tank.
- Do not overfill gas tank. Gas may expand during operation. Do not fill to the top of the tank.
- Always check for spilled gas before operating.
- Empty gasoline tank before storing or transporting the generator.
- Before transporting, turn fuel valve to off and disconnect spark plug.

▲ WARNING: This generator produces powerful voltage, which can result in electrocution.

- ALWAYS ground the generator before using it (see the “Ground the Generator” portion of the “PREPARING THE GENERATOR FOR USE” section).
- Generator should only be plugged into electrical devices, either directly or with an extension cord. NEVER connect to a building electrical system without a qualified electrician. Such connections must comply with local electrical laws and codes. Failure to comply can create a backfeed, which may result in serious injury or death to utility workers.
- Use a ground fault circuit interrupter (GFCI) in highly conductive areas such as metal decking or steel work. GFCIs are available in-line with some extension cords.
- Do not use in rainy or wet conditions.
- Do not touch bare wires or receptacles (outlets).
- Do not allow children or non-qualified persons to operate.

▲ WARNING: Never connect a generator directly to any existing electrical building circuit. The generator can backfeed into power lines and electrocute nearby electrical repair workers.

▲ WARNING: Battery contains sulfuric acid. Battery acid is poisonous. Tilting the generator with the battery installed can cause battery acid to spill.

- Wear protective clothing and eyewear when servicing battery.
- Keep out of reach of children.
- Do not tilt generator with battery installed.
- If battery acid gets on your skin, wash with water immediately.
- If battery acid gets in your eyes, flush with water for at least 15 minutes and call a doctor immediately.
- If battery acid is swallowed, drink a large amount of water or milk. Then drink milk of magnesia or vegetable oil. Call a doctor immediately.

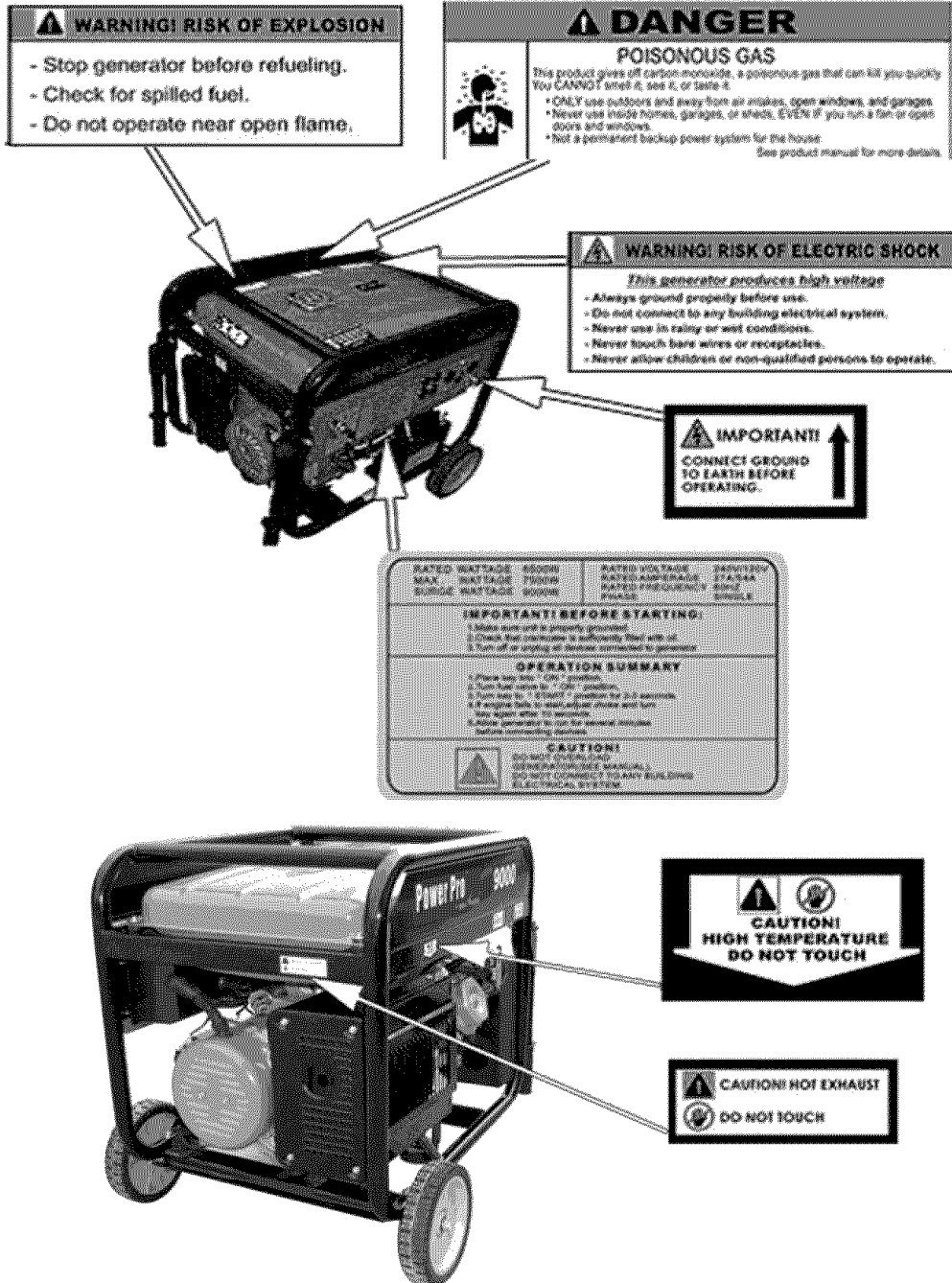
▲ WARNING: This generator produces heat when running. Temperatures near exhaust can exceed 150° F (65° C).

- Do not touch hot surfaces. Pay attention to warning labels on the generator denoting hot parts of the machine.
- Allow generator to cool several minutes after use before touching engine or areas which heat during use.

CAUTION: Misuse of this generator can damage it or shorten its life.

- Use generator only for its intended purposes.
- Operate only on dry, level surfaces.
- Allow generator to run for several minutes before connecting electrical devices.
- Shut off and disconnect any malfunctioning devices from generator.
- Do not exceed the Wattage capacity of the generator by plugging in more electrical devices than the unit can handle.
- Do not turn on electrical devices until *after* they are connected to the generator.
- Turn off all connected electrical devices before stopping the generator.

In addition to the above safety notices, please familiarize yourself with the safety and hazard markings on the generator.



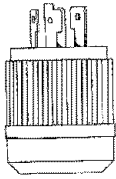
PACKAGE CONTENTS

This generator comes with the items listed below. Please check to see that all of the following items are included with the generator.

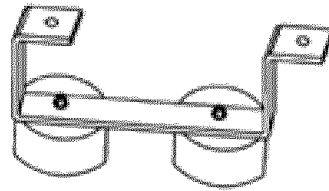


If there are missing components DO NOT RETURN TO STORE, please call (800) 232-1195 M-F 8-5 CT for customer service.

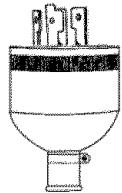
ITEM LIST



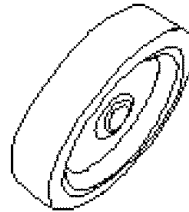
NEMA L14-30 plug
for connecting 240
Volt electrical
devices



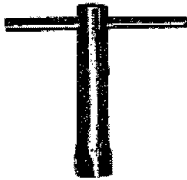
Foot Bracket



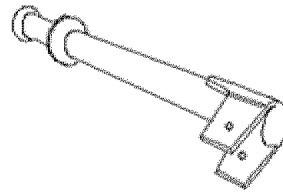
NEMA L5-30
locking plug for
120V devices



Wheel (x2)



Spark plug wrench



Handles (x2)



DC plug with wires



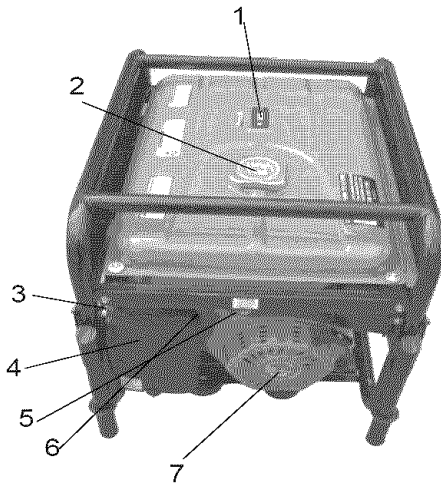
Wheel axle

Also included:

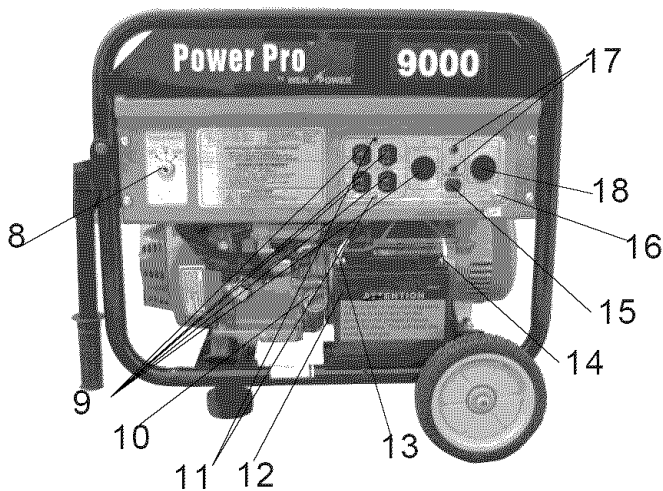
- Assembly hardware
- Instruction manual
- Product registration card

GENERATOR COMPONENTS

Please familiarize yourself with the locations and functions of the various components and controls of this generator.



- (1) **Fuel Gauge**- Indicates the amount of fuel in the tank.
- (2) **Fuel Cap**- Access to the fuel tank for adding fuel.
- (3) **Choke Lever**- Adjusts the amount of air let into the engine.
- (4) **Air Cleaner**- a removable, cleanable, sponge-like element that limits the amount of dirt pulled into the engine.
- (5) **Fuel Valve**- Allows fuel to enter engine.
- (6) **Fuel Filter Cup**- Traps dirt and water from fuel before it enters the engine.
- (7) **Recoil Starter**- Pull-cord for manual starting.



- (8) **Electric Start Switch**- Used to start/stop engine.
- (9) **120 Volt AC Receptacle**- Use to connect electrical devices that run 120 and Volt, 60 Hz, single phase, AC current.
- (10) **Oil Fill and Dipstick**- Location for checking and filling engine oil.
- (11) **Power Indicators**-Green lights that turn on to indicate the output of power to each receptacle.
- (12) **12V Battery**- For electric start.
- (13) **DC Receptacle**- provides 12V, 8.3A output.
- (14) **Ground Terminal**- Connect grounding wires here to properly ground unit.
- (15) **Circuit Reset Buttons**- reset buttons that protect the generator from electrical overload.
- (16) **240/120 Volt AC Receptacle**- Use to connect electrical devices that run 120 and/or 240 Volt, 60 Hz, single phase, AC current.



- (17) **Muffler**- Reduces engine noise.
- (18) **Spark Plug**- Provides proper engine ignition.

ASSEMBLY

In order to best protect the generator while in the package, this product comes with the wheels and handles disassembled. Please complete the following assembly steps before proceeding to use the generator. For ease of assembly, we recommend attaching the components in the order listed below.

If after reading this section, you are unsure about how to perform any of the steps, please call (800) 232-1195 M-F 8-5 CT for customer service.

▲ WARNING: This generator is heavy. Some assembly procedures may require two people.

Attach Handles

The handles attach to the generator frame at the same side as the recoil starter. To attach the handles to the generator frame, perform the following steps:

1. Take one handle and line up the holes in the handle bracket with the holes on the generator frame as shown in figure 1.
2. Slide a bushing through the holes in the handle and generator frame to hold the handle onto the frame.
3. Secure the bushing in place with a cotter pin.
4. Repeat steps 1-3 for the other handle.

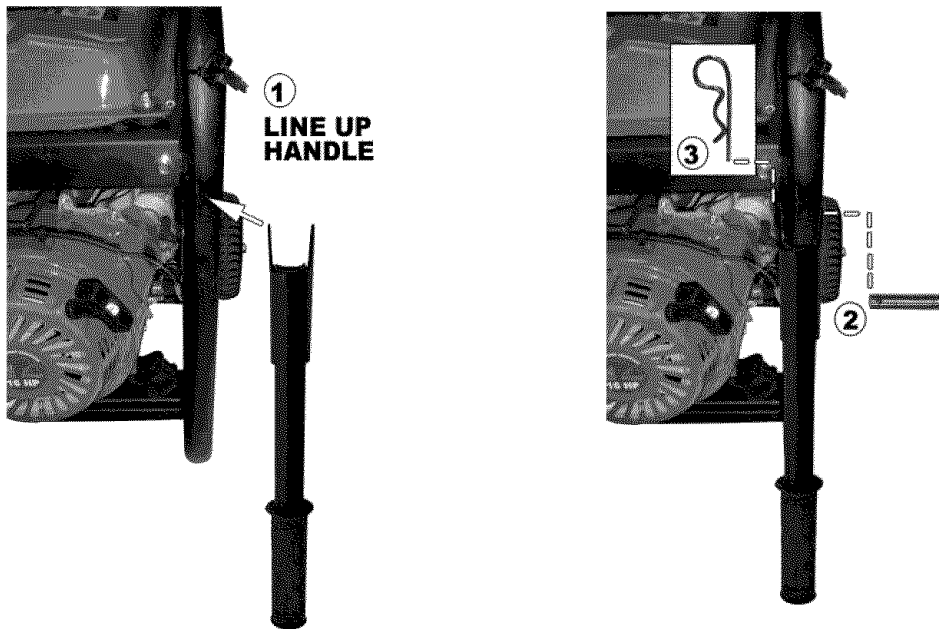


Figure 1- Attaching handle

Attach Wheels

The wheels attach to the opposite side of the generator from the handles. To attach the wheels:

1. Place the generator on support blocks such as a scrap piece of wood (see figure 2).
2. Attach the wheel axle to the generator. Slide the axle underneath the generator frame. Align the holes on the axle with the holes on the bottom cross beam of the generator frame. Secure the axle to the frame using two bolts and two nuts.
3. Slide the wheels onto the ends of the axle. Secure each wheel with a washer and a nut as shown below.

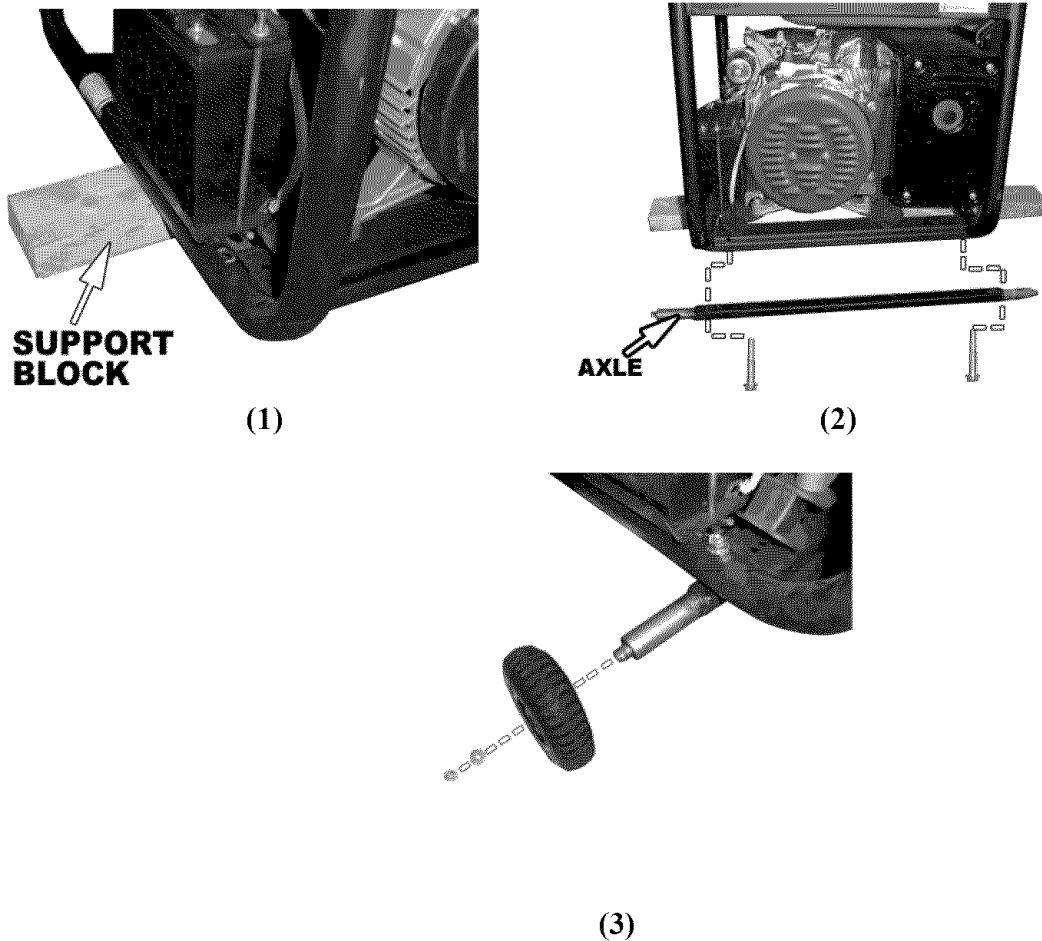


Figure 2- Attaching wheels

Attach Foot

The foot bracket attaches to the underside of the generator. It attaches at the same side of the generator as the handles. To attach the foot bracket:

1. Lift the generator up by the handles and slide the foot bracket underneath the generator as depicted in figure 3.
2. Align the holes of the foot bracket with the holes on the bottom cross beam of the generator frame. Secure the foot bracket in place with two bolts and two nuts.

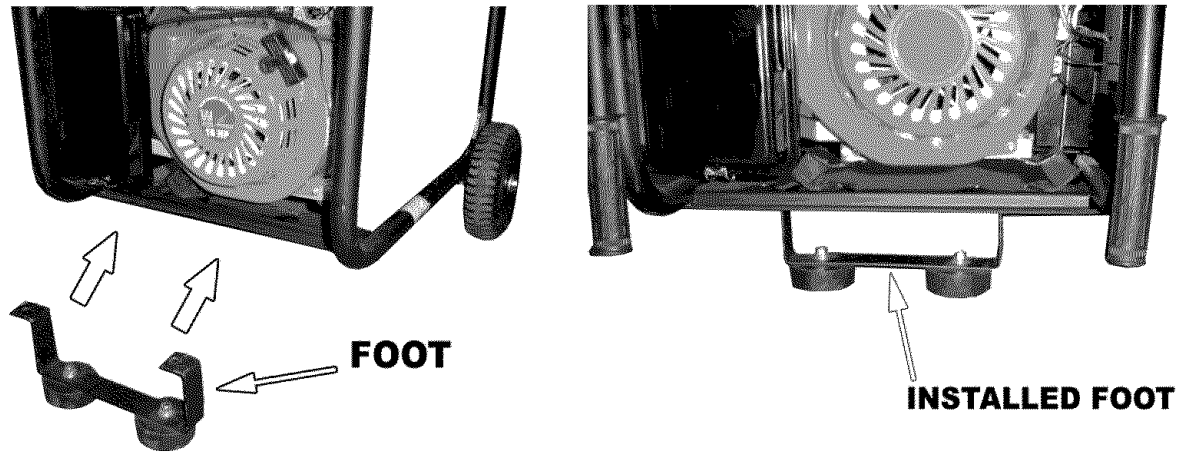


Figure 3- Installing foot bracket

PREPARING THE GENERATOR FOR USE

Using the Generator for the First Time

STOP *The following section describes steps user must follow to prepare the generator for the first-time usage. If after reading this section, you are unsure about how to perform any of the steps please call (800) 232-1195 M-F 8-5 CT for customer service. Failure to perform these steps properly can damage the generator or shorten its life.*

If you are using the generator for the first time, there are a few steps you must take to prepare it for operation:

Step 1- Connect the Battery

▲ WARNING: Battery gives off explosive hydrogen gas

- Keep battery away from spark, flame, or cigarette.
- Do not connect or disconnect battery while generator is running.
- Service or use battery only in well ventilated areas.

▲ WARNING: Battery contains sulfuric acid. Battery acid is poisonous. Tilting the generator with the battery installed can cause battery acid to spill.

- Wear protective clothing and eyewear when servicing battery.
- Keep out of reach of children.
- Do not tilt generator with battery installed.
- If battery acid gets on your skin, wash with water immediately.
- If battery acid gets in your eyes, flush with water for at least 15 minutes and call a doctor immediately.

If battery acid is swallowed, drink a large amount of water or milk. Then drink milk of magnesia or vegetable oil. Call a doctor immediately.

The generator comes with the battery disconnected for safety. To use the electric start, the battery need to be connected. To connect the battery:

1. Remove the protective covering from the free end of the negative battery cable. This cable is connected to the generator on the other end and is located in the vicinity of the battery.
2. Attach the free end of the negative cable to the battery and secure the connection.

NOTE: If you do not plan to use the generator for a long period of time, it is a good idea to disconnect the negative battery cable from the battery for storage. After disconnecting the cable, cover the free end with an insulator such as electrical tape.

Step 2- Add oil

The generator requires engine oil to operate properly. Mew generator fresh from the package contains *no* oil in the crankcase. User must add the proper amount of oil before operating the generator for the first time. The oil capacity of this engine crankcase is 37 fluid oz. For general use, we recommend 30W, 4-stroke engine oil to fill the engine crankcase.

To add oil, follow these steps:

1. Make sure the generator is on a level surface
2. Unscrew the oil filler/dipstick cap from the engine as shown in figure 4.
3. Using a funnel, add the appropriate amount of oil, as found in figure 1, into the crankcase. The crankcase is full when the oil level has reached the lower lip of the opening where you have just poured the oil into (see figure 5).
4. Reinstall oil filler cap.

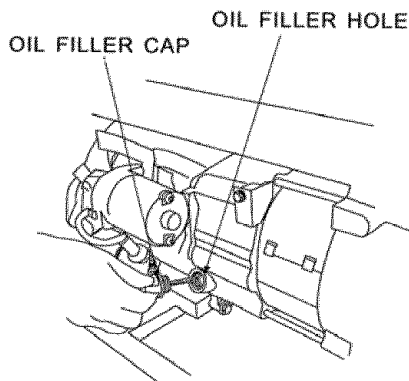


Figure 4- Unscrewing the oil cap



Figure 5- Adding oil

Step 3- Add Gasoline

▲ WARNING: Gasoline and gas fumes are highly flammable. A nearby open flame can lead to explosion even if not directly in contact with gas.

- Do not operate near open flame.
- Do not smoke near generator.

- Always operate on a firm, level surface.
- Always turn generator off before refueling. Allow generator to cool for at least 2 minutes before removing fuel cap. Loosen cap slowly to relieve pressure in tank.
- Do not overfill gas tank. Gas may expand during operation. Do not fill to the top of the tank.
- Always check for spilled gas before operating.
- Empty gasoline tank before storing or transporting the generator.
- Before transporting, turn fuel valve to off and disconnect spark plug.

To ensure that the generator runs smoothly use only FRESH, UNLEADED GAS WITH AN OCTANE RATING OF 87 OR HIGHER. To add gasoline:

1. Make sure the generator is on a level surface.
2. Unscrew gas cap and set aside (NOTE: the gas cap may be tight and hard to unscrew).
3. Slowly add unleaded gasoline to the fuel tank. Be careful not to overfill. The capacity of the gas tank is 6.6 gallons (25L). NOTE: Gas can expand. Do not fill the gas tank to the very top.
4. Replace fuel cap and wipe up any spilled gasoline with a dry cloth.

IMPORTANT:

- Never use an oil/gasoline mixture.
- Never use old gas.
- Avoid getting dirt or water in the fuel tank.
- Gas can age in the tank and make it hard to start up the generator in the future. Never store generator for extended periods of time with fuel in the tank.

Step 4- Ground the Generator

▲ WARNING: Failure to properly ground the generator can result in electrocution.

Ground the generator by tightening the grounding nut against a grounding wire (see figure 6). A generally acceptable grounding wire is a No. 12 AWG (American Wire Gauge) stranded copper wire. This grounding wire should be connected at the other end to a copper or brass grounding rod that is driven into the earth.

Grounding codes can vary by location. Please contact a local electrician to check the grounding regulations for your area.

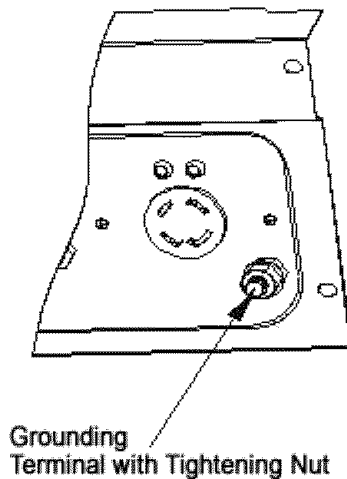


Figure 6- Grounding nut location

Subsequent Use of the Generator

If this is not your first time using the generator there are still steps you should take to prepare it for operation.

IMPORTANT: At this point you should be familiar with the procedures described in the first portion of this section entitled “Using the Generator for the First Time.” If you have not yet read this section, go back and read it now.

Step 1- Check the Oil

The generator is equipped with an automatic low oil shutoff to protect it from damage. Nonetheless, user should check the oil level of the engine before each use to ensure that the engine crankcase contains sufficient lubricant. To check the oil level:

1. Make sure the generator is on a level surface.
2. Unscrew the oil filler/dipstick cap.
3. With a dry cloth, wipe the oil off the stick on the inside of the cap.
4. Insert the dipstick as if you were replacing the cap and then remove again. There should now be oil on the stick. If there is no oil on the stick, or oil only at the very end of the stick, you should add oil until the engine crankcase is filled (see “Changing/Adding Oil” portion of the “Maintenance” section).
5. Be sure to replace cap when finished checking oil.

NOTE: The oil capacity for this generator is 37 fluid oz.

Step 2 – Check the Gas Level

Before starting the generator, check to see that there is sufficient gasoline in the gas tank. The fuel gauge on top of the generator will indicate the gas level in the tank. Add gas if necessary.

▲ WARNING: Gasoline and gasoline fumes are highly flammable.

- **Do not fill tank near an open flame.**
- **Always allow engine to cool for several minutes before refueling.**
- **Do not overfill (check the “Specifications” section for the tank capacity of this generator). Always check for fuel spills.**

IMPORTANT:

- Use only UNLEADED gasoline with an octane rating of 87 or higher.
- Do not use old gas.
- Never use an oil/gasoline mixture.
- Avoid getting dirt or water in the fuel tank.
- Never store generator for extended periods of time with fuel in the tank.

Step 3- Ground the Generator

▲ WARNING: Failure to properly ground the generator can result in electrocution.

Ground the generator by tightening the grounding nut against a grounding wire (see figure 6). A generally acceptable grounding wire is a No. 12 AWG (American Wire Gauge) stranded copper wire. This grounding wire should be connected at the other end to a copper or brass grounding rod that is driven into the earth.

Grounding codes can vary by location. Please contact a local electrician to check the grounding regulations for your area.

STARTING THE GENERATOR



Before starting the generator, make sure you have read and performed the steps in the “Preparing the Generator for Use” section of this manual. If you are unsure about how to perform any of the steps in this manual please call (800) 232-1195 M-F 8-5 CT for customer service.

▲ DANGER: POISONOUS GAS. Generators give off carbon monoxide, a poisonous gas that can kill you quickly. You CANNOT smell it, see it, or taste it.

- ONLY run generator outdoors and away from air intakes, open windows, and garages.
- Never use inside homes, garages, or sheds, EVEN IF you run a fan or open doors and windows.

If you start to feel sick, dizzy, or weak while using the generator, shut it off and get to fresh air RIGHT AWAY. See a doctor. You may have carbon monoxide poisoning.

▲ WARNING: This generator produces powerful voltage, which can result in electrocution.

- ALWAYS ground the generator before using it (see the “Ground the Generator” portion of the “PREPARING THE GENERATOR FOR USE” section).
- Generator should only be plugged into electrical devices, either directly or with an extension cord. NEVER connect to a building electrical system without a qualified electrician. Such connections must comply with local electrical laws and codes. Failure to comply can create a backfeed, which may result in serious injury or death to utility workers.
- Use a ground fault circuit interrupter (GFCI) in highly conductive areas such as metal decking or steel work. GFCIs are available in-line with some extension cords.
- Do not use in rainy or wet conditions.
- Do not touch bare wires or receptacles (outlets).

Do not allow children or non-qualified persons to operate.

▲ CAUTION: Disconnect all electrical loads from the generator before attempting to start.

Electric Start

To start the generator using the electric start function, perform the following steps:

1. Make sure no electrical devices are connected to the generator. Such devices can make it difficult for the engine to start.
2. Check that the generator is properly grounded (see page 13, “Ground the Generator”).
3. Check the oil and gas levels.
4. Turn the fuel valve to the “on” position (see figure 7).
5. Move the choke rod to the “closed” position (see figure 8).
6. Set the engine switch key to the “on” position.

7. Turn the engine key to the “start” position for 2-3 seconds or until the engine starts. NOTE: If the engine does not start after 2-3 seconds, release the key from the start position. Keeping the key in the start position too long can damage the starter.
8. If engine fails to start, wait 10 seconds, then repeat step 6. NOTE: After repeated attempts to start the engine, please consult the troubleshooting guide before attempting again. If problems persist please call **(800) 232-1195 M-F 8-5 CT**.
9. Once the engine has started and run for about a minute, move the choke rod about half way towards the “open” position. Wait another 30 seconds and then move the choke rod all the way to the “open” position.

Allow the generator to run for several minutes before attempting to connect any electrical devices.

Manual Start

To start the generator manually, perform the following steps:

1. Make sure no electrical devices are connected to the generator. Such devices can make it difficult for the engine to start.
2. Check that the generator is properly grounded (see page 13, “Ground the Generator”).
3. Check the oil and gas levels.
4. Turn the fuel valve to the “on” position (see figure 7).
5. Move the choke rod to the “closed” position (see figure 8)
6. Turn the engine switch key to the “on” position.
7. Pull on the recoil starter handle slowly until a slight resistance is felt (see figure 9). Then pull quickly to start the engine. Return cord gently into the machine. Never allow the cord to snap back.
8. If engine fails to start, repeat step 7. NOTE: After repeated attempts to start the engine, please consult the troubleshooting guide before attempting again. If problems persist please call **(800) 232-1195 M-F 8-5 CT**.
9. Once the engine has started and run for about a minute, move the choke rod about half way towards the “open” position. Wait another 30 seconds and then move the choke rod all the way to the “open” position.
10. Allow the generator to run for several minutes before attempting to connect any electrical devices.

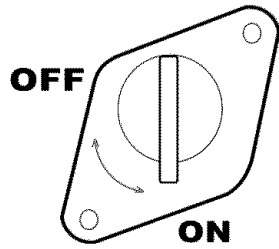


Figure 7- Fuel valve positions

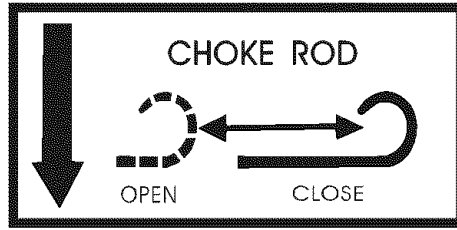


Figure 8- Choke positions

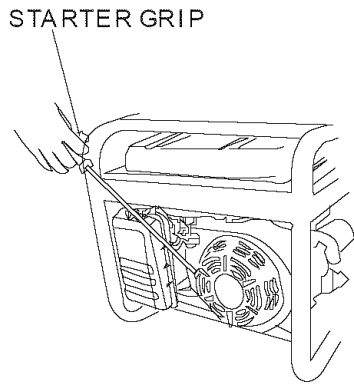


Figure 9- Pulling the start cord

USING THE GENERATOR

▲ WARNING: Never connect a generator directly to any existing electrical building circuit. The generator can backfeed into power lines and electrocute nearby electrical repair workers.

Once you have allowed the engine to run for several minutes, you may connect electrical devices to the generator.

AC Usage

CAUTION: Please familiarize yourself with the markings on the panel before connecting electrical devices.

You may connect electrical devices running on AC current according to their wattage requirements. The chart in figure 10 shows the rated and surge wattage of your generator.

The *rated wattage* corresponds to the maximum wattage the generator can output on a continuous basis.

The *maximum wattage* corresponds to the maximum wattage the generator can output for a few minutes.

The *surge wattage* corresponds to the maximum amount of power the generator can output for an extremely short period of time (seconds). Many electrical devices such as refrigerators require short bursts of extra power, in addition to the rated wattage listed by the device, to start their motors. The surge wattage ability of the generator covers this extra power requirement.

Rated (Running) Wattage	Maximum Wattage	Surge Wattage
6500	7500	9000

Figure 10- generator wattage.

The total running wattage requirement of the electrical devices connected to the generator should not exceed the rated wattage of the generator itself. To calculate the total wattage requirement of the electrical devices you wish to connect, find the rated (or running) wattage of each device. This number should be listed somewhere on the device or in its instruction manual. If you cannot find this wattage, you may calculate it by multiplying the Voltage requirement by the Amperage drawn:

$$\text{Watts} = \text{Volts} \times \text{Amperes}$$

If these specifications are not available you may estimate the Watts required by your device by using the chart in figure 11.

Once you have found the rated wattage requirement of each electrical device, add these numbers to find the total rated wattage you wish to draw from the generator. If this number exceeds the rated wattage of the generator, DO NOT connect all these devices. Select a combination of electrical devices, which has a total rated wattage lower than or equal to the rated wattage of the generator.

CAUTION- The generator can run at its surge wattage capacity for only a short time. Connect electrical devices requiring a rated (running) wattage equal to or less than the rated wattage of the generator. Never connect devices requiring a rated wattage equal to the surge wattage of the generator.

tool or appliance	rated (running) Watts	additional surge Watts
electric water heater (40 gal)	4000	0
hot plate	2500	0
saw- radial arm	2000	2000
electric stove	1500	0
saw- circular	1500	1500
air compressor (1 HP)	1500	3000
window air conditioner	1200	1800
saw- miter	1200	1200
microwave	1000	0
well water pump	1000	1000
reciprocating saw	960	1040
sump pump	800	1200
refrigerator freezer	800	1200
furnace blower	800	1300
computer	800	0
electric drill	600	900
television	500	0
deep freezer	500	500
garage door opener	480	0
stereo	400	0
box fan	300	600
clock radio	300	0
security system	180	0
dvd player/ vcr	100	0
common light bulb	75	0

NOTE: The above wattage figures are estimates. Try to check the wattage listed on your electrical device before consulting this chart.

Figure 11- Estimated wattage requirements of common electrical devices.

Once you have determined what electrical devices you will be powering with the generator, connect these devices according to the following procedure:

1. Plug in each electrical device with the device turned off. **NOTE:** Be sure to attach appliances to the correct receptacle (outlet). Connect standard 120 Volt, single phase, 60 Hz loads **only** to the 120 Volt receptacles. Connect 240/120 Volt, single phase, 60Hz loads with a NEMA L14-30 plug **only** to the 240/120 Volt receptacle See Figure 12 for a depiction of each of these receptacles.
2. Check that the power indicator light(s) are lit over the outlet(s) you are about to use. If the light(s) is not on, press the circuit reset buttons. If the light still does not come on, call our customer service number for further instructions.

CAUTION: Do not connect 50Hz or 3-phase loads to the generator.

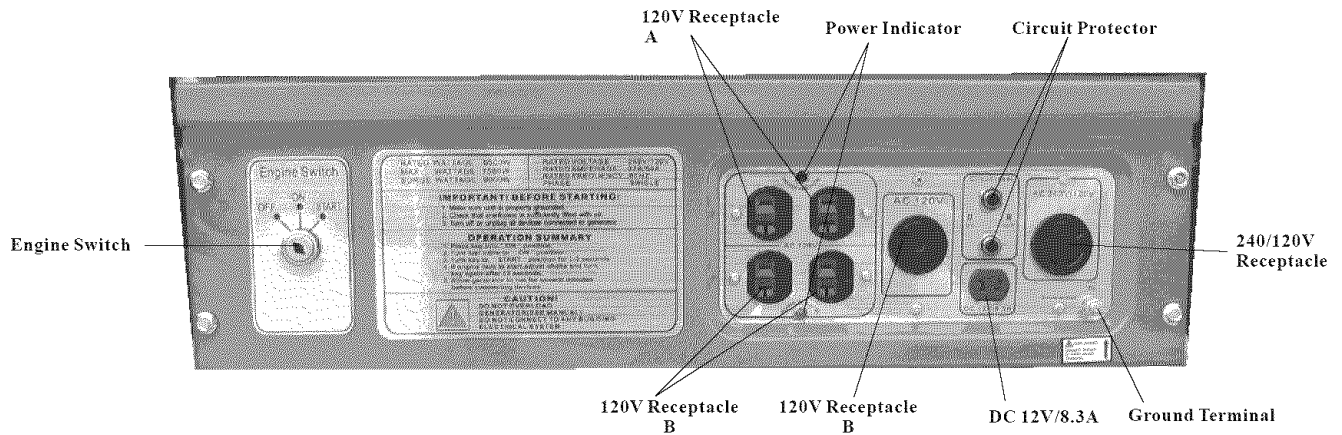


Figure 12- Receptacles available on the generator

SOME NOTES ABOUT POWER CORDS

Long or thin cords can drain the power provided to an electrical device by the generator. When using such cords, allow for a slightly higher rated wattage requirement by the electrical device. See Figure 13 for recommended cords based on the power requirement of the electrical device.

Device Requirements			Max. Cord Length (ft) by Wire Gauge				
Amps	Watts (120V)	Watts (240 V)	#8 wire	#10 wire	#12 wire	#14 wire	#16 wire
2.5	300	600	NR	1000	600	375	250
5	600	1200	NR	500	300	200	125
7.5	900	1800	NR	350	200	125	100
10	1200	2400	NR	250	150	100	50
15	1800	3600	NR	150	100	65	NR
20	2400	4800	175	125	75	50	NR
25	3000	6000	150	100	60	NR	NR
30	3600	7200	125	65	NR	NR	NR
40	4800	9600	90	NR	NR	NR	NR

*NR= not recommended

Figure 13- Maximum Extension Cord Lengths by Power Requirement

DC USAGE

The generator is equipped with a DC terminal. This terminal is not intended for use to charge automotive batteries.

STOPPING THE GENERATOR

To stop the generator:

1. Turn off, then unplug all connected electrical devices.
2. Allow the generator to run for several more minutes with no electrical devices connected. This helps stabilize the temperature of the generator.
3. Turn the engine switch key to the “off” position. Remove the key.
4. Turn the fuel valve to the “off” position.

▲ WARNING: Allow the generator to cool for several minutes before touching areas that become hot during use.

CAUTION: Allowing gas to sit in the generator tank for long periods of time without use can make it difficult to start the generator in the future. Never store generator for extended periods of time with fuel in the tank.

CAUTION: Leaving the battery connected for long periods of time without using the generator can cause the battery to drain. Disconnect the negative battery cable from the battery for storage. After disconnecting the cable, cover the free end with an insulator such as electrical tape.

MAINTENANCE / CARE

Proper routine maintenance of your generator will help prolong the life of your machine. Please perform maintenance checks and operations according the schedule in figure 14.



If you have questions about any of the maintenance procedures listed in this manual, please call (800) 232-1195 M-F 8-5CT.

CAUTION: Never perform maintenance operations while the generator is running.

Recommended Maintenance Schedule

		each use	first month of use or first 20 hrs	every 3 months or 50 hrs	every 6 months or 100 hrs	every year or 300 hrs	As necessary
Engine oil	check level	x					
	Replace		x	x			x
Air cleaner	check	x					
	Clean			x			
fuel filter cup	Clean				x		
spark plug	check/ clean				x		
gas tank	check gas level	x					
	Clean					x	
Battery	replace						x

Figure 14- Recommended maintenance schedule

Cleaning the Generator

Always try to use your generator in a cool dry place. In the event your generator becomes dirty you may clean the exterior with one or more of the following:

- a damp cloth
- a soft brush
- a vacuum
- pressurized air

Never clean your generator with a bucket of water or a hose. Water can get inside the working parts of the generator and cause a short circuit or corrosion.

Checking the Oil

The generator is equipped with an automatic shutoff to protect it from running on low oil. Nonetheless, you should check the oil level of the generator before each use to ensure that the generator crankcase has a sufficient amount. To check the oil level:

1. Make sure the generator is on a level surface.
2. Unscrew the oil filler/dipstick cap (see figure 15).
3. With a dry cloth, wipe the oil off of the stick on the inside of the cap.
4. Insert the dipstick as if you were replacing the cap and then remove again. There should now be oil on the stick. If there is no oil on the stick, or oil only at the very end of the stick, you should add oil until the engine crankcase is filled. See “Changing/ Adding Oil” in this section.
5. Be sure to reinstall the cap when finished checking the oil.

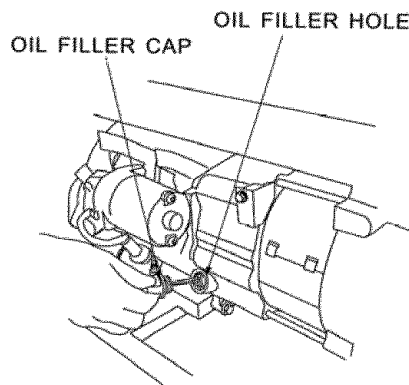


Figure 15- Checking the oil

Changing/ Adding Oil

You should check the oil level of your generator according to the maintenance schedule in figure 14. When the oil level is low you will need to add oil until the level is sufficient to run the generator. The oil capacity of your generator engine is 37 fluid oz.

It is necessary to drain the oil from the crankcase after 50 hrs of use, or if it has become contaminated with water or dirt. In this case, you can drain the oil from the generator according to the following steps:

1. Place a bucket underneath the generator to catch oil as it drains.
2. Using a hex wrench, unscrew the oil drain plug, which is located on the crankcase underneath the oil filler/dipstick cap (see figure 16). Allow all the oil to drain from the generator.
3. Replace the oil drain plug and tighten with a hex wrench.

To add oil to the crankcase, follow these steps:

1. Make sure the generator is on a level surface.
2. Unscrew the oil filler/dipstick cap from the engine as shown in figure 15 above.
3. Using a funnel, add 30W, 4-stroke engine oil. When full, the oil level should come close to the top of the oil fill opening (see figure 17).

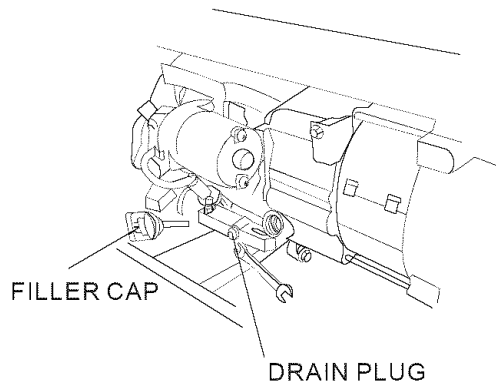


Figure 16- Draining oil



Figure 17- Adding oil

NOTE: Never dispose of used motor oil in the trash or down a drain. Please call your local recycling center or auto garage to arrange oil disposal.

Air Cleaner Maintenance

Routine maintenance of the air cleaner helps maintain proper air flow to the carburetor. Occasionally check that the air cleaner is free of excessive dirt.

1. Unscrew the nut on the air cleaner cover (see figure 18).
2. Remove the sponge-like elements from the casing.
3. Wipe the dirt from inside the empty air cleaner casing
4. Wash the sponge-like elements in household detergent and warm water. Allow to dry.
5. Soak the dry elements in engine oil. Squeeze out any excess oil.
6. Replace the sponge-like elements in the air cleaner casing and replace the cover.

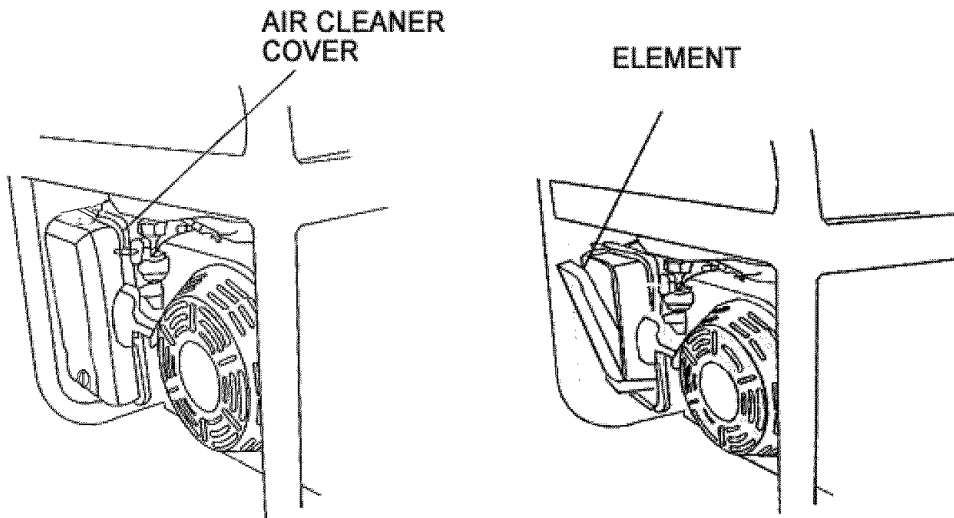
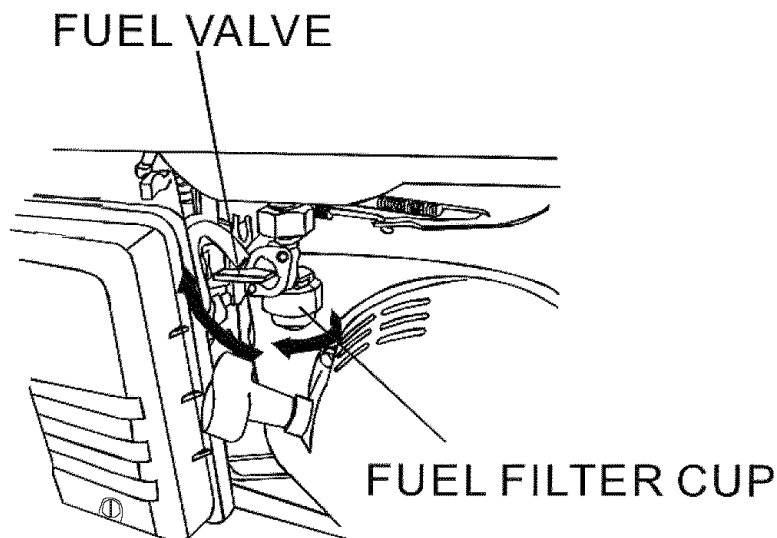


Figure 18- Removing the air cleaner casing.

Fuel Filter Cup Cleaning

The fuel filter cup is a small well underneath the fuel valve. It helps to trap dirt and water that may be in your fuel tank before it can enter the engine. To clean the fuel filter cup:

1. Turn the fuel valve to the “off” position.
2. Unscrew the fuel filter cup from the fuel valve using a wrench. Turn the valve toward you to unscrew (see figure 19).
3. Clean the cup of all sediment using a rag or brush.
4. Reinstall the fuel filter cup.



Spark Plug Maintenance

The spark plug is important for proper engine operation. A good spark plug should be intact, free of deposits, and properly gapped. To inspect your spark plug:

1. Pull on the spark plug cap to remove it.
2. Unscrew the spark plug from the generator using the spark plug wrench included with this product (see figure 20). Visually inspect the spark plug. If it is cracked or chipped, discard and replace with a new spark plug. We recommend using a F6RTC spark plug such as NGK BPR6ES.
3. Measure the plug gap with a gauge (see figure 21). The gap should be 0.7-0.8mm (0.028-0.031 in).
4. If you are re-using the spark plug, use a wire brush to clean any dirt from around the spark plug base and then re-gap the spark plug.
5. Screw the spark plug back into its place on the generator using the spark plug wrench. Replace the spark plug cap.

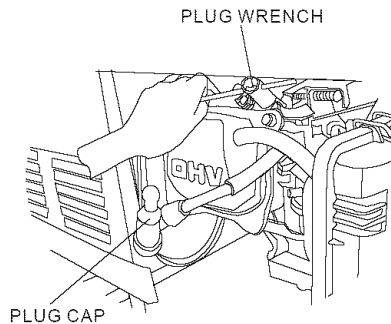


Figure 20- Removing the spark plug

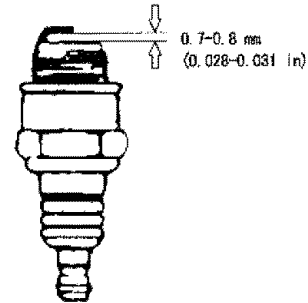


Figure 21- Measuring the spark plug gap

Emptying the Gas Tank

Before storing your generator for extended periods of time, you should drain your generator of gasoline. To drain the generator of gas:

1. Turn the fuel valve to the “off” position.
2. Remove the fuel filter cup (see “Fuel Filter Cup Cleaning” earlier in this section).
3. Empty the fuel filter cup of any fuel.
4. With a receptacle underneath the generator to catch the gas, turn the fuel valve to the “on” position. Drain all the gas from the generator.
5. Turn the fuel valve to the “off” position.
6. Replace the fuel filter cup.
7. Store the emptied gasoline in a suitable place.

▲ CAUTION: Do not store fuel from one season to another.

Changing the Battery

▲ WARNING: Battery gives off explosive hydrogen gas

- Keep battery away from spark, flame, or cigarette.
- Do not connect or disconnect battery while generator is running.
- Service or use battery only in well ventilated areas.

▲ WARNING: Battery contains sulfuric acid. Battery acid is poisonous. Tilting the generator with the battery installed can cause battery acid to spill.

- Wear protective clothing and eyewear when servicing battery.
- Keep out of reach of children.
- Do not tilt generator with battery installed.
- If battery acid gets on your skin, wash with water immediately.
- If battery acid gets in your eyes, flush with water for at least 15 minutes and call a doctor immediately.

If battery acid is swallowed, drink a large amount of water or milk. Then drink milk of magnesia or vegetable oil. Call a doctor immediately.

If your generator will start manually (using the recoil starter pull cord) but will not start electrically (with the key), the battery may be drained. In this case, you can recharge the battery by starting the generator manually and allowing it to run for 20 minutes. However, if your battery will no longer hold a charge, you may need to replace it. To replace the battery:

1. Disconnect the positive (+) and negative (-) cables from the battery.
2. Remove the metal bracket that secures the battery to the generator.
3. Install the replacement battery and secure to the generator with the bracket. Use a 12V battery that is 18 Ah or greater.
4. Connect the positive and negative cables to the new battery.

STORAGE / TRANSPORT PROCEDURES

▲ CAUTION: Never place any type of storage cover on the generator while it is still hot.

When transporting or storing your generator for extended periods of time:

- Empty the gas tank (see “Emptying the Gas Tank” in the “Maintenance” section).
- Disconnect the spark plug.
- Do not obstruct any ventilation openings.
- Keep the generator in a cool dry area.

SPECIFICATIONS

Generator

AC Output

Rated Wattage	6500 W
Maximum Wattage	7500 W
Surge Wattage	9000 W
Rated Voltage	240V/120V
Rated Amperage	27A/54A
Rated Frequency	60 Hz
Phase	Single

DC Output

Rated Voltage	12 V
Rated Amperage	8.3A

Dimensions (in):	length= 28.7 width= 20.6 height= 27.6
Dry mass	229 lbs

Engine

Engine type	4-stroke OHV single cylinder with forced air cooling system
Ignition system	non-contact transistor
Displacement	420 cm ³
Fuel tank capacity:	25 L (6.60 US gal.)
Oil capacity	1.1 L (37 fl oz.)
Run time on 50% load	9 hrs
Noise rating	82 dB

TROUBLESHOOTING

IMPORTANT: If trouble persists please call our customer help line at **(800) 232-1195** M-F 8-5 Central Time.

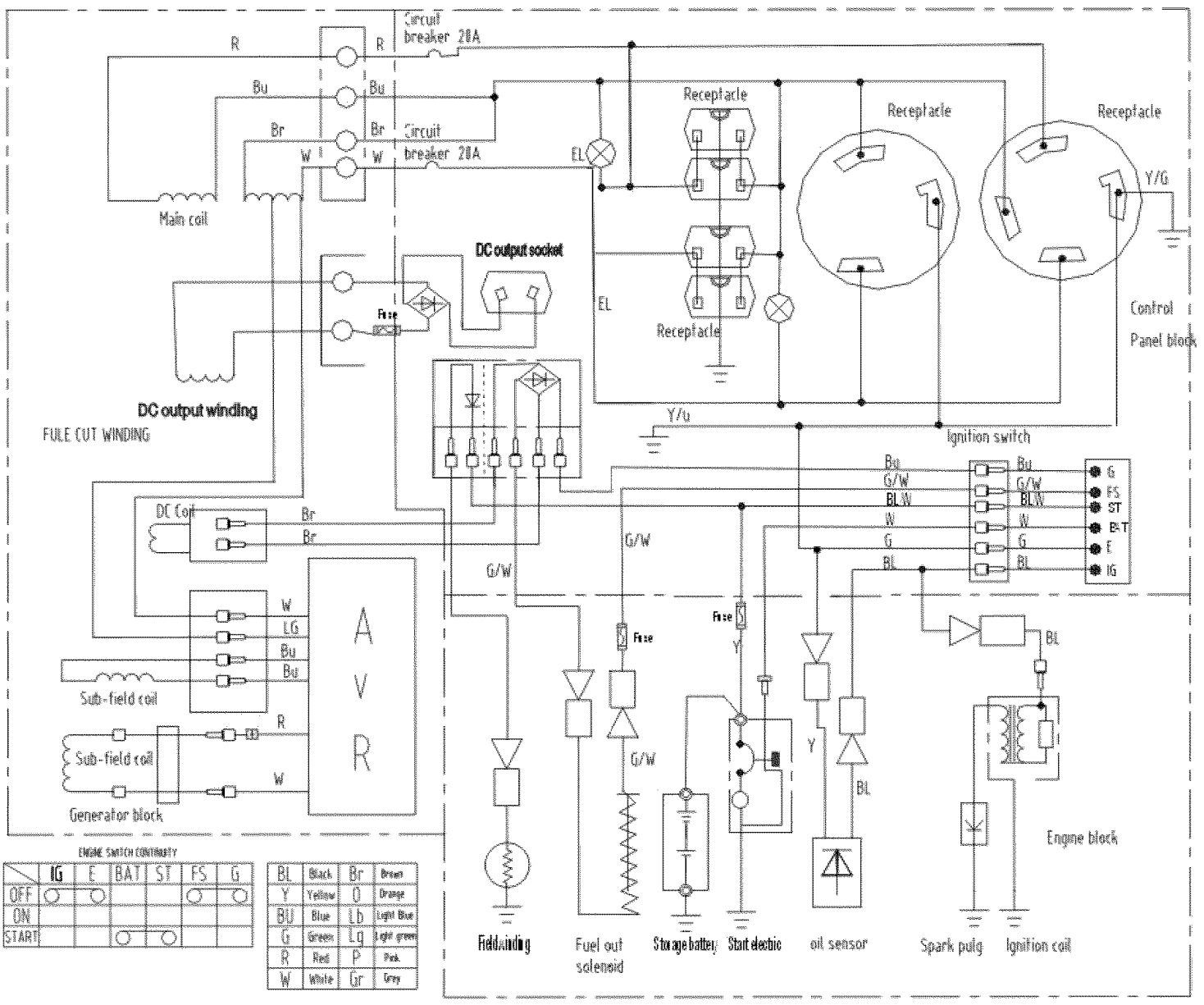
Problem	Cause	Solution
Engine will not start	Engine switch is set to "off".	Set engine switch to "on".
	No fuel in carburetor	Turn fuel valve handle to up/down position.
	Choke is open.	Move the choke to 75% close position when starting
	Engine is out of gas	Add gas.
	Engine is filled with contaminated or old gas	Change the gas in the engine.
	Not enough oil in crankcase	Add or replace oil.
	Low-oil sensor Failure	Add enough oil, disconnect low-oil sensor, start engine and let run for several minutes, then reconnect the sensor
	Spark plug is dirty.	Clean spark plug.
	Spark plug is broken.	Replace spark plug.
	Generator is not on level surface.	Move generator to a level surface to prevent low oil shutdown from triggering.
	Engine need maintenance	Get a professional engine tune-up
	Air cleaner is dirty.	Clean or replace air cleaner.
Generator starts manually but not electrically	Battery is discharged	Manually start generator, then charge battery for 2 hours.
Leaking carburetor	Float stuck	Gently tap the bottom cup of the carburetor, or remove the carburetor bowl and free the floater
	Hole in the float	Remove carburetor bowl and inspect the float. Replace float if fuel is inside it.
	Contamination in carburetor built up at needle valve	Open carburetor and clean needle valve.
Black smoke in exhaust	Generator inclined, oil enter combustion chamber	Move generator to a leveled location
	Generator was tilted when adding oil, or	Remove spark plug, turn off engine switch then pull recoil starter four times to remove oil form the combustion chamber.
	Too much oil was added to the crankcase.	Loose fill plug and let excessive oil drain out.
Generator runs but does not support all electrical devices connected.	Bad connecting wires/cables.	If you are using an extension cord, try a different one.
	Bad electrical device connected to generator.	Try connecting a different device
	Generator is overloaded	Perform these steps: 1. Turn off all electrical devices. 2. Unplug all electrical devices. 3. Turn off generator. 4. Wait several minutes. 5. Restart generator. 6. Try connecting fewer electrical loads to the generator.
	Short in one of the connected devices.	Try disconnecting any faulty or short-circuited electrical loads.
	Brush worn out	Replace brushes
There is AC output but no DC output	Burnt DC fuse	Replace with 8A fuse
	Diode failure	Replace diode

x

E

Item	Part	Qty	Description	Item	Part	Qty	Description
1	100000-248-1	1	16 hp gasoline engine	42	080265-100-1	1	M10×265 bolt
2	227100-225-1	1	Tubular frame	43	SB06H9	4	M6×179 bolt
3	227351-248-1	2	Left rubber damper	44	080712-100-1	1	Washer
4	227352-248-1	2	Right rubber damper	45	228001-248-1	1	Generator stay
5	M81000	4	M10 nut	46	214252-248-1	1	Gas cap
6	35513-1	1	DC 12V/8.3A receptacle	47	214251-248-1	1	Gas cap washer
7	M80800	4	M8 nut	48	214200-248-1	1	Gas cap assembly
8	227001-248-1	1	Air cleaner bracket	49	214001-248-1	1	Fuel tank filter
9	SB0614	1	M6×14 screw	50	214100-217-1	1	Gas tank
10	32520-1	1	Ground terminal set	51	214500-248-1	1	Fuel gauge
11	32100-1	1	Wire harness Assy.	52	D30510	2	M5×10 screw
12	32310-1	1	Switch wire	53	000000-M-1	1	Gasket
13	35510-1	1	Receptacle (NEMA 240V/30A)	54	SB0635	4	M6×35 bolt
14	GB5787-86	8	M4×12 screw	55	080703-100-1	4	Upper tank damper
15	37300-1	1	Control panel Assy.	56	214003-248-1	4	Bolt spacer
16	37310-1	1	Control panel	57	214006-248-1	4	Lower tank damper
17	37321-1	1	Back cover, control panel	58	109004-1	2	Fuel line clip
18	68511-1	1	Panel mark	59	081502-100-1	1	Fuel line
19	68512-1	1	Engine switch mark	60	214400-248-1	1	Fuel valve assembly
20	35410-1	1	Ignition switch	61	113003-156-1	1	Exhaust pipe gasket
21	37430-1	1	Receptacle (NEMA 120V/30A)	62	M10800	2	M8 nut
22	31710-1	2	Circuit protector (30A)	63	SB0820	2	M8X20 bolt
23	GB5787-86	4	M6×12 circuit bolt	64	213007-248-1	1	Exhaust pipe
24	GB6187-86	8	M4 nut	65	213007-248-1-1	1	Exhaust pipe gasket
25	35511-1	2	Duplex Receptacle (120V/20A)	66	SB0612	7	M6×12 bolt
26	32115-1	1	Wire harness Assy.	67	213004-248-1	1	Muffler guard
27	32116-1	1	Boot, main wire harness	68	213100-248-1	1	Muffler
28	37470-1-1	1	Rectifier A (DC output)	69	213003-248-1	1	Muffler shroud
29	37470-1-2	1	Rectifier B (Carburetor)	70	213006-248-1	1	Rubber seal
30	228005-248-1	1	Generator fan	71	SB0812	4	M8X12 bolt
31	228153-248-1	1	Stator cover	72	213200-248-1	1	Metal bracket
32	228152-252-1	1	Stator assy.	73	213005-248-1	1	Muffler side cover
33	SB05224	2	M5×224 bolt	74	37440-1	2	Power Indicator
34	228153-252-1	1	Rotor	75	531100-225-1	2	Handle Assy.
35	SB0512	2	M5×12 screw	76	227110-225-1	1	Underprop Assy.
36	228002-248-1	1	End cover	77	227120-225-1	1	Battery
37	228156-248-1	1	Wire connector	78	227130-225-1	1	Fastening Assy.
38	SB0516	2	M5×16 screw	79	426100-225-1	1	Axes
39	228200-248-1	1	Voltage regulator	80	427110-225-1	2	Wheel
40	SB0512	5	M5×12 screw	81	31720-1	3	Fuse
41	228154-248-1	1	Brush assembly				

WIRING DIAGRAM

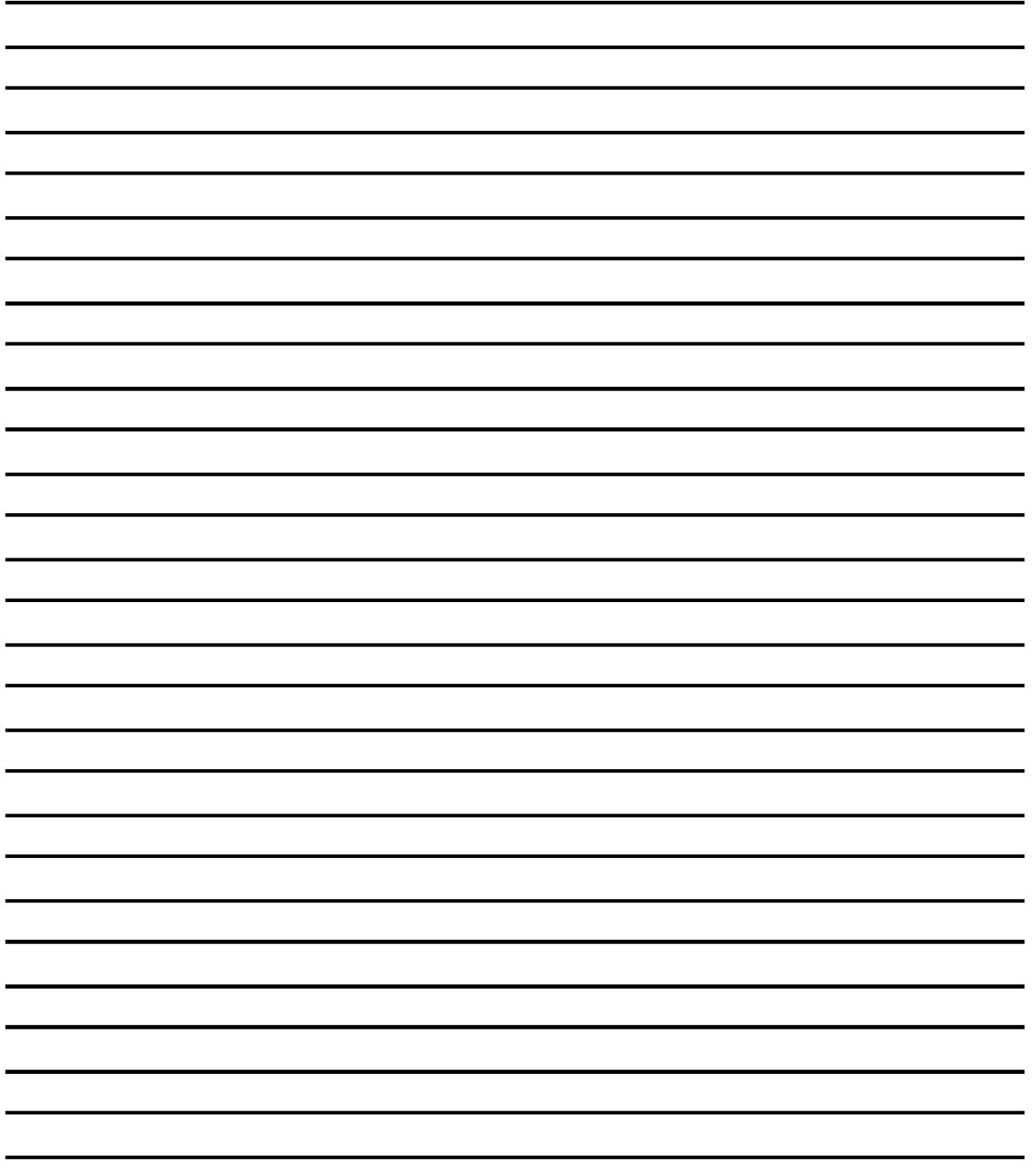


ENGINE SWITCH CONTINITY

	IG	E	BAT	ST	FS	G
OFF	○	○			○	○
ON						
START			○	○		

BL	Black	Br	Brown
Y	Yellow	D	Orange
BU	Blue	Lb	Light Blue
G	Green	Lg	Light Green
R	Red	P	Pink
W	White	Gr	Grey

NOTES:



LIMITED WARRANTY FOR POWER PRO™ GENERATORS FROM WEN POWER™

Remember to save your receipt and to accurately fill out and mail your product registration card. You must provide proof of purchase for all warranty work.

Power Pro™ generators are warranted to be free from defects in materials and workmanship for a period of one (1) year from date of original purchase. Generators used for Commercial or Rental use have a warranty period of 90 days from date of original purchase. Keep purchase receipt and mail in the product registration card for proof of purchase.

Power Pro™ by WEN Power™ will repair or replace, at its discretion, any part that is proven to be defective in materials or workmanship under normal use during the one (1) year warranty period. Warranty repairs or replacements will be made without charge for parts or labor. Parts replaced during warranty repairs will be considered as part of the original product and will have the same warranty period as the original product.

To exercise the warranty, **DO NOT RETURN TO RETAILER**. Instead, call the toll free Customer Service number: **(888) 315-3080** and you will be instructed on where to take the generator for warranty service. Take the generator and proof of purchase (your receipt) to the repair facility recommended by the Customer Service Representative.

The warranty does not extend to generators damaged or affected by fuel contamination, accidents, neglect, misuse, unauthorized alterations, use in an application for which the product was not designed and any other modifications or abuse.

Power Pro™ by WEN Power™ is not liable for any indirect, incidental or consequential damages from the sale or use of this product. Any implied warranties are limited to one (1) year as stated in this written limited warranty. Some states do not allow the exclusion or limitation of incidental or consequential damages. Some states do not allow limitation on the length of an implied warranty. This warranty gives you specific legal rights, and you may have other rights that vary from state to state.