



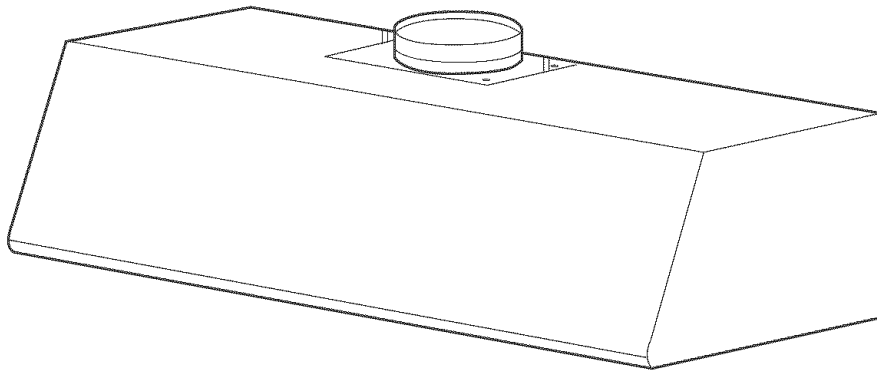
30" (76.2 CM) AND 36" (91.4 CM) RANGE HOOD

Installation Instructions and Use & Care Guide

HOTTE D'ASPIRATION DE 30" (76,2 CM) ET 36" (91,4 CM)

Instructions d'installation et Guide d'utilisation et d'entretien

Table of Contents/Table des matières.....2



IMPORTANT: READ AND SAVE THESE INSTRUCTIONS.
IMPORTANT : LIRE ET CONSERVER CES INSTRUCTIONS.

IMPORTANT:

Installer: Leave installation instructions with the homeowner.
Homeowner: Keep installation instructions for future reference.
Save installation instructions for local electrical inspector's use.

IMPORTANT :

Installateur : Remettre les instructions d'installation au propriétaire.
Propriétaire : Conserver les instructions d'installation pour référence ultérieure.
Conserver les instructions d'installation pour consultation par l'inspecteur local des installations électriques.

TABLE OF CONTENTS

RANGE HOOD SAFETY	2
INSTALLATION REQUIREMENTS	3
Tools and Parts	3
Location Requirements	4
Venting Requirements	4
Electrical Requirements	5
INSTALLATION INSTRUCTIONS	6
Venting Options	6
Prepare Location	6
Install Range Hood	7
Make Electrical Connection	8
Install Filters	8
Check Operation	8
RANGE HOOD USE	9
Range Hood Controls	9
RANGE HOOD CARE	9
Range Hood Lamps	9
Cleaning	9
Accessories	10
ASSISTANCE OR SERVICE	10
In the U.S.A.	10
In Canada	10
WARRANTY	11
WIRING DIAGRAM	12

TABLE DES MATIÈRES

SÉCURITÉ DE LA HOTTE D'ASPIRATION	13
EXIGENCES D'INSTALLATION	15
Outillage et pièces	15
Exigences d'emplacement	15
Exigences concernant l'évacuation	16
Spécifications électriques	17
INSTRUCTIONS D'INSTALLATION	18
Options disponibles pour le circuit d'évacuation	18
Préparation de l'emplacement	18
Installation de la hotte de cuisinière	19
Raccordement électrique	20
Installation des filtres	20
Contrôle du fonctionnement	20
UTILISATION DE LA HOTTE DE CUISINIÈRE	21
Commandes de la hotte de cuisinière	21
ENTRETIEN DE LA HOTTE DE CUISINIÈRE	21
Lampes de la hotte de cuisinière	21
Nettoyage	21
Accessoires	22
ASSISTANCE OU SERVICE	22
GARANTIE	23
SCHÉMA DE CÂBLAGE	24

RANGE HOOD SAFETY

Your safety and the safety of others are very important.

We have provided many important safety messages in this manual and on your appliance. Always read and obey all safety messages.



This is the safety alert symbol.

This symbol alerts you to potential hazards that can kill or hurt you and others.

All safety messages will follow the safety alert symbol and either the word "DANGER" or "WARNING."

These words mean:

⚠ DANGER

You can be killed or seriously injured if you don't immediately follow instructions.

⚠ WARNING

You can be killed or seriously injured if you don't follow instructions.

All safety messages will tell you what the potential hazard is, tell you how to reduce the chance of injury, and tell you what can happen if the instructions are not followed.

IMPORTANT SAFETY INSTRUCTIONS

WARNING: TO REDUCE THE RISK OF FIRE, ELECTRIC SHOCK, OR INJURY TO PERSONS, OBSERVE THE FOLLOWING:

- Use this unit only in the manner intended by the manufacturer. If you have questions, contact the manufacturer.
- Before servicing or cleaning the unit, switch the power off at the service panel disconnecting means to prevent power from being switched on accidentally. When the service disconnecting means cannot be locked, securely fasten a prominent warning device, such as a tag, to the service panel.
- Installation work and electrical wiring must be done by qualified person(s) in accordance with all applicable codes & standards, including fire-rated construction.
- Sufficient air is needed for proper combustion and exhausting of gases through the flue (chimney) of fuel burning equipment to prevent backdrafting. Follow the heating equipment manufacturer's guideline and safety standards such as those published by the National Fire Protection Association (NFPA), the American Society for Heating, Refrigeration and Air Conditioning Engineers (ASHRAE), and the local code authorities.
- When cutting or drilling into wall or ceiling; do not damage electrical wiring and other utilities.
- Ducted systems must always be vented outdoors.

CAUTION: For general ventilating use only. Do not use to exhaust hazardous or explosive materials and vapors.

CAUTION: To reduce risk of fire and to properly exhaust air, be sure to duct air outside - do not vent exhaust air into spaces within walls ceilings, attics, crawl spaces, or garages.

WARNING: TO REDUCE THE RISK OF FIRE, USE ONLY METAL DUCTWORK.

WARNING: TO REDUCE THE RISK OF A RANGE TOP GREASE FIRE:

- Never leave the surface units unattended at high settings. Boilovers cause smoking and greasy spillovers that may ignite. Heat oils slowly on low or medium settings.
- Always turn hood ON when cooking at high heat or when flambeing food (i.e. Crepes Suzette, Cherries Jubilee, Peppercorn Beef Flambé).
- Clean ventilating fans frequently. Grease should not be allowed to accumulate on fan or filter.
- Use proper pan size. Always use cookware appropriate for the size of the surface element.

WARNING: TO REDUCE THE RISK OF INJURY TO PERSONS IN THE EVENT OF A RANGE TOP GREASE FIRE, OBSERVE THE FOLLOWING:^a

- **SMOTHER FLAMES** with a close fitting lid, cookie sheet, or other metal tray, then turn off the gas burner or electric element. **BE CAREFUL TO PREVENT BURNS.** If the flames do not go out immediately, **EVACUATE AND CALL THE FIRE DEPARTMENT.**
- **NEVER PICK UP A FLAMING PAN** - you may be burned.
- **DO NOT USE WATER**, including wet dishcloths or towels - a violent steam explosion will result.
- Use an extinguisher **ONLY** if:
 - You know you have a class ABC extinguisher, and you already know how to operate it.
 - The fire is small and contained in the area where it started.
 - The fire department is being called.
 - You can fight the fire with your back to an exit.

^aBased on "Kitchen Fire Safety Tips" published by NFPA.

- **WARNING:** To reduce the risk of fire or electrical shock, do not use this fan with any solid-state speed control device.

SAVE THESE INSTRUCTIONS

INSTALLATION REQUIREMENTS

Tools and Parts

Gather the required tools and parts before starting installation. Read and follow the safety instructions provided with any tools listed here.

Tools needed

- Level
- Drill
- 1¼" drill bit
- Pencil
- Pliers
- Wire stripper or utility knife
- Tape measure or ruler
- Caulking gun and weatherproof caulking compound
- Saber or keyhole saw

- Duct tape
- Flat-blade screwdriver
- Metal snips
- Phillips screwdriver

Parts supplied

Check that all parts are included.

- Literature package
- Hardware package (4 screws)

Parts needed

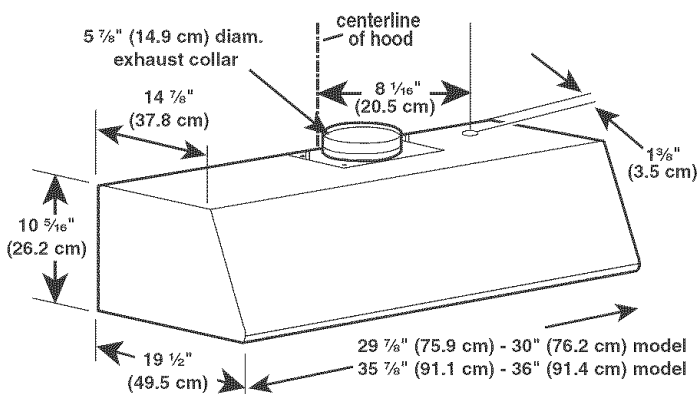
- UL listed or CSA approved ½" (12.5 mm) strain reliefs (2)
- Power supply cable
- 6" (15.2 cm) round wall or roof cap
- 6" (15.2 cm) metal vent system

Location Requirements

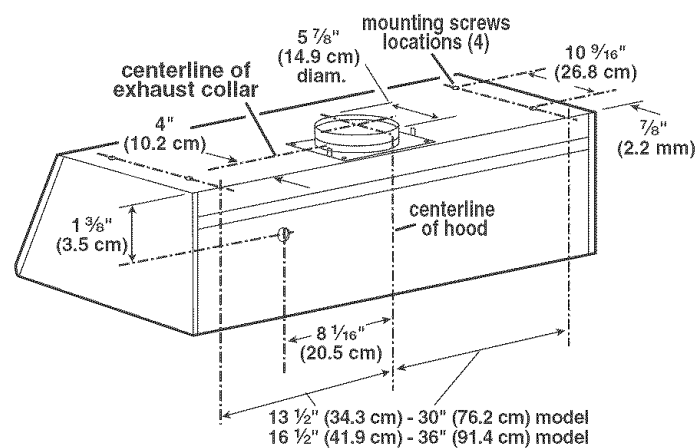
IMPORTANT: Observe all governing codes and ordinances.

- It is the installer's responsibility to comply with installation clearances specified on the model/serial rating plate. The model/serial rating plate is located inside the range hood on the rear wall.
- Range hood location should be away from strong draft areas, such as windows, doors and strong heating vents.
- Cabinet opening dimensions that are shown must be used. Given dimensions provide minimum clearance. Consult your cooktop/range manufacturer installation instructions before making any cutouts.
- Grounded electrical outlet is required. See "Electrical Requirements" section.
- The hood is factory set for vented installations. For recirculating installations, Recirculation Kit Part Number 4396565, including vent cover and 2 charcoal filters, is available from your dealer.
- All openings in ceiling and wall where range hood will be installed must be sealed.

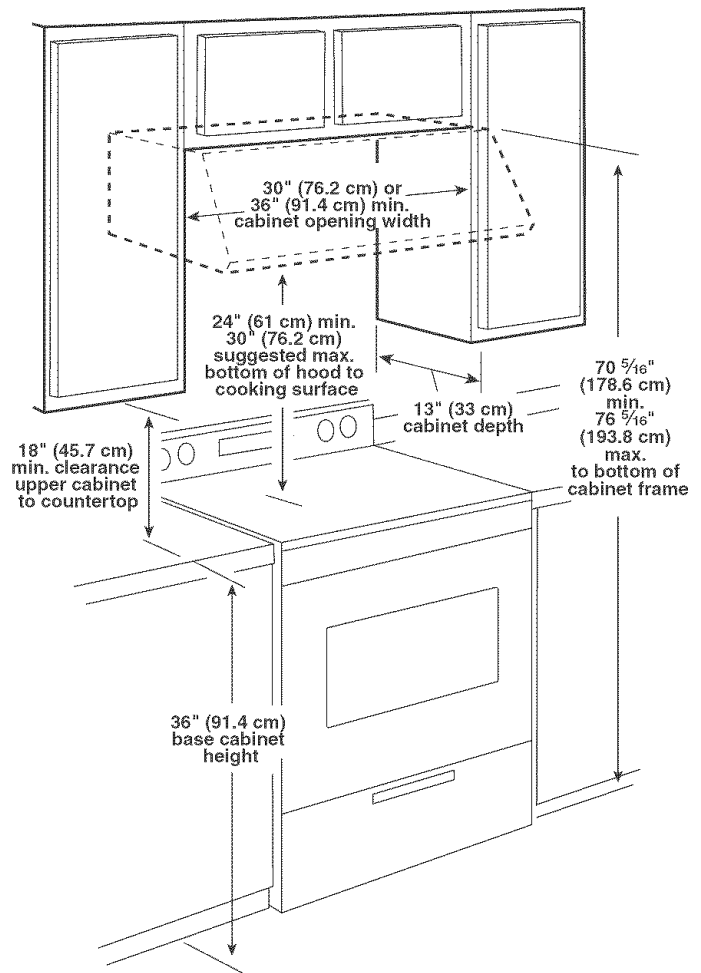
Product Dimensions



Vent and electrical openings and mounting screw locations



Installation Clearances



Venting Requirements

- Do not terminate the vent system in an attic or other enclosed area.
- Do not use a 4" (10.2 cm) laundry-type wall caps.
- Vent system must terminate to the outside.
- Use only a 6" (15.2 cm) round metal vent. Rigid metal vent is recommended. Do not use plastic or metal foil vent.
- The size of the vent should be uniform.
- The vent system must have a damper. If roof or wall cap has a damper, do not use damper supplied with the range hood.
- Use duct tape to seal all joints in the vent system.
- Use caulking to seal exterior wall or roof opening around the cap.
- Determine which venting method is best for your application.

For Best Performance:

- Do not install 2 elbows together.
- Use no more than three 90° elbows.
- If an elbow is used, install it as far away as possible from the hood's vent motor exhaust opening.
- Make sure there is a minimum of 24" (61 cm) of straight vent between the elbows if more than one elbow is used.

The length of vent system and number of elbows should be kept to a minimum to provide efficient performance.

Cold Weather Installations

An additional backdraft damper should be installed to minimize backward cold air flow and a nonmetallic thermal installed to minimize conduction of outside temperatures as part of the vent system. The damper should be on the cold air side of the thermal break.

Makeup Air

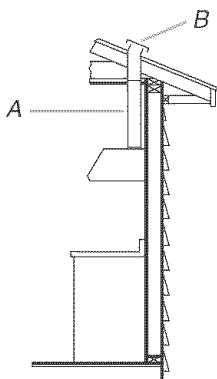
Local building codes may require the use of makeup air systems when using ventilation systems with greater than specified CFM of air movement. The specified CFM varies from locale to locale. Consult your HVAC professional for specific requirements in your area.

Venting Methods

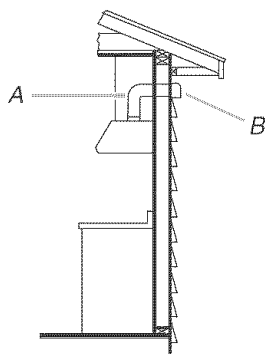
This range hood is factory set for vented installations. Vent system can terminate through either the roof or wall. A 6" (15.2 cm) round vent system must be used. The vent system length should not exceed 35 ft (10.7 m).

Option 1 - Roof Venting

Option 2 - Wall Venting





A. 6" (15.2 cm) round roof venting
B. Roof cap



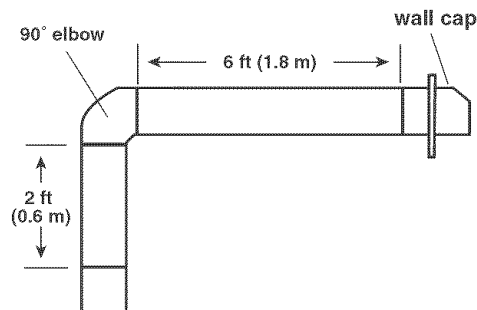
A. 6" (15.2 cm) round wall venting
B. Wall cap

Calculating Vent System Length

To calculate the length of the system you need, add the equivalent feet (meters) for each vent piece used in the system.

Vent piece	6" (15.2 cm) round	
45° elbow	2.5 ft (0.8 m)	
90° elbow	5.0 ft (1.5 m)	

Example vent system



Maximum length = 35 ft (10.7 m)

1 - 90° elbow = 5 ft (1.5 m)

8 ft (2.4 m) straight = 8 ft (2.4 m)

1 - wall cap = 0 ft (0 m)

System length = 13 ft (3.9 m)

NOTE: Flexible vent is not recommended. Flexible vent creates back pressure and air turbulence that greatly reduce performance.

Electrical Requirements

IMPORTANT: Observe all governing codes and ordinances. Save Installation Instructions for electrical inspector's use.

It is the customer's responsibility to contact a qualified electrical installer, and to assure that the electrical installation is adequate and in conformance with National Electrical Code, ANSI/NFPA 70 (latest edition), or CSA Standards C22.1-94, Canadian Electrical Code, Part 1 and C22.2 No. 0-M91 (latest edition) and all local codes and ordinances.

If codes permit and a separate ground wire is used, it is recommended that a qualified electrician determine that the ground path is adequate.

A copy of the above code standards can be obtained from:

National Fire Protection Association
One Batterymarch Park
Quincy, MA 02269
CSA International
8501 East Pleasant Valley Road
Cleveland, OH 44131-5575

- A 120 Volt, 60 Hz., AC only 15-amp fused, electrical circuit is required.
- Do not ground to a gas pipe.
- Check with a qualified electrician if you are not sure range hood is properly grounded.
- Do not have a fuse in the neutral or ground circuit.
- The range hood must be connected with copper wire only.
- The range hood should be connected directly to the fused disconnect (or circuit breaker) box through flexible armored or nonmetallic sheathed copper cable.
- Wire sizes (copper wire only) and connections must conform with the rating of the appliance as specified on the model/serial rating plate.
- Wire sizes must conform to the requirements of the National Electrical Code, ANSI/NFPA 70 (latest edition), or CSA Standards C22.1-94, Canadian Electrical Code, Part 1 and C22.2 No. 0-M91 (latest edition) and all local codes and ordinances.
- A ½" (12.7 mm) UL listed or CSA approved strain relief must be provided at each end of the power supply cable (at the range hood and at the junction box).

INSTALLATION INSTRUCTIONS

Venting Options

General venting installation

For vented installations:

Make necessary cuts in the wall for vent fittings.

IMPORTANT: Make sure the vent system is installed before installing range hood.

Recirculating installations:

A vent system (not provided) that directs the recirculated air back into the room either through the soffit or through the cabinet top is required. Use Recirculation Kit Part Number 4396565. For ordering information, see "Assistance or Service."

IMPORTANT: If venting through the cabinet top, do not terminate the exhaust into dead air space such as an attic or enclosed soffit.

When venting through the soffit, assemble the vent system you will use over the exhaust collar, but do not attach the vent system yet.

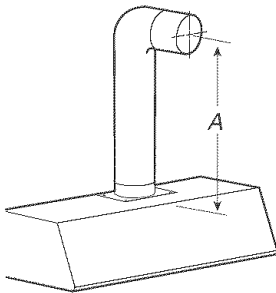
NOTE: The vent system can exhaust out the front of the soffit or be rotated to exhaust out the side or end of the soffit.

Venting through the soffit

1. Assemble the vent system you will use over the exhaust collar, but do not attach the vent system yet.

NOTE: The vent system can exhaust out the front of the soffit or be rotated to exhaust out the side or end of the soffit.

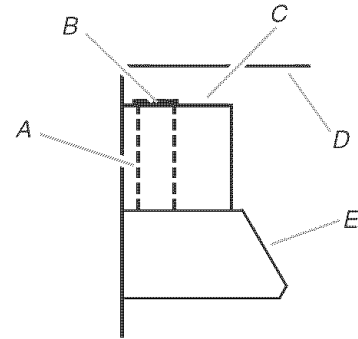
2. Measure distance "A" (from top of hood to centerline of 6" [15.2 cm] round vent). Mark the distance "A" on soffit.



3. Mark and cut a 6" (15.2 cm) round vent opening.

Venting through cabinet top

1. Mark the location where vent cover will be installed in the cabinet top and cut a 6" (15.2 cm) round vent opening for the vent cover.



A. Vent system
B. Vent cover
C. Cabinet top
D. Ceiling or soffit
E. Hood

IMPORTANT: Do not terminate exhaust into a dead air space such as an attic or enclosed soffit.

Prepare Location

- For vented installations, it is recommended that the vent system be installed before hood is installed.
- Do not cut a joist or stud unless absolutely necessary. If a joist or stud must be cut, then a supporting frame must be constructed.
- Before making cutouts, make sure there is proper clearance within the ceiling or wall for vent fittings.
- Check that all the installation parts and the box with filters have been removed from the shipping carton.

Preparation

! WARNING

Excessive Weight Hazard

**Use two or more people to move and install range.
Failure to do so can result in back or other injury.**

1. If possible, disconnect power and/or gas supply and move freestanding or slide-in range from cabinet opening to provide easier access to rear wall.

2. Select a flat surface for assembling the hood. Cover that surface with a protective covering such as a blanket or cardboard during assembly.

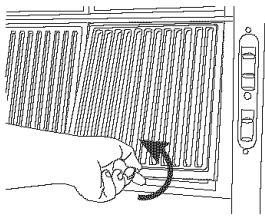
⚠ WARNING

Excessive Weight Hazard

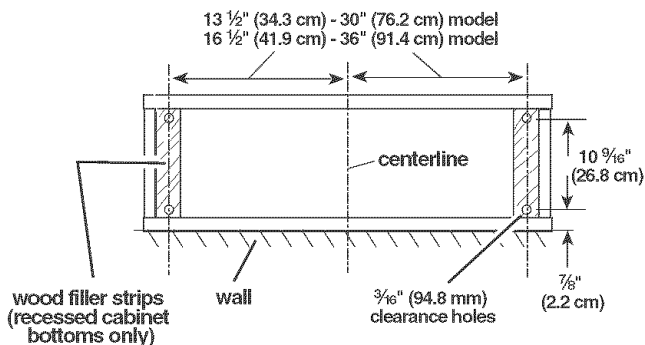
Use two or more people to move and install range hood.

Failure to do so can result in back or other injury.

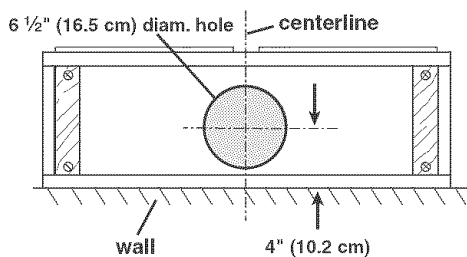
3. Using 2 or more people, slowly lift the range hood onto the protected surface.
4. Tip range hood on its back to remove the metal filters. Turn knob to the left (counterclockwise) and lift filters out.



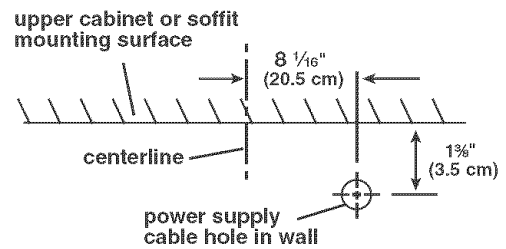
5. Remove hardware package.
6. Add wood filler strips as needed to cabinet bottom. Drill 4 $\frac{3}{16}$ " (4.8 mm) clearance holes for hood mounting screws.



7. Cut a $6\frac{1}{2}$ " (16.5 cm) diameter hole in cabinet bottom as shown.



8. Cut a $1\frac{1}{4}$ " (3.2 cm) hole for power supply cable.



9. Run wire through hole in accordance with the National Electrical Code or CSA Standards and local codes and ordinances. There must be enough power supply cable from the fused disconnect (or circuit breaker) box to make the connection in the range hood's electrical box.
10. Use caulking to seal all openings.

IMPORTANT: Do not turn on power until installation is complete.

Install Range Hood

⚠ WARNING

Excessive Weight Hazard

Use two or more people to move and install range hood.

Failure to do so can result in back or other injury.

1. Remove the terminal box cover (located on back wall of hood) from the hood. Remove the power supply cable knockout using a flat-blade screwdriver. Attach strain relief in power supply cable opening so that clamping screws are inside of range hood. Tip hood back to its bottom surface.
2. If roof or wall cap does not have a damper, attach damper to exhaust opening on top of the range hood using 2 small screws from hardware package.
3. Place the range hood mounting screws close to the holes in the cabinet bottom.
4. Lift range hood into place while feeding wiring through strain relief.
5. Insert the screws through the clearance holes and start them into the hood. Then, tighten screws securely.
6. Connect vent system, for either vented or recirculating, to range hood.
7. Seal all joints with duct tape.
8. For recirculating installations, install the vent cover included in Recirculation Kit Part Number 4396565 in soffit or cabinet top vent opening.

Make Electrical Connection

⚠ WARNING



Electrical Shock Hazard

Disconnect power before servicing.

Replace all parts and panels before operating.

Failure to do so can result in death or electrical shock.

1. Disconnect power at the circuit breaker or fused circuit box.
2. Connect the white wire of the power supply cable with the white lead in the range hood using a twist-on connector.
3. Connect the black wire of the power supply cable with the black lead in the range hood using a twist-on connector.

⚠ WARNING



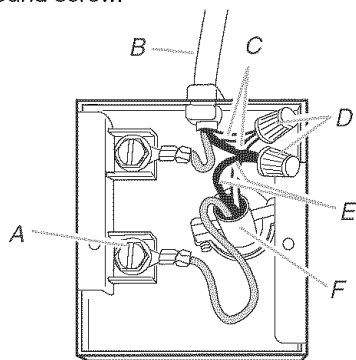
Electrical Shock Hazard

Electrically ground blower.

Connect ground wire to green ground screw in terminal box.

Failure to do so can result in death or electrical shock.

4. Connect the green power supply ground wire to the unused, green ground screw.

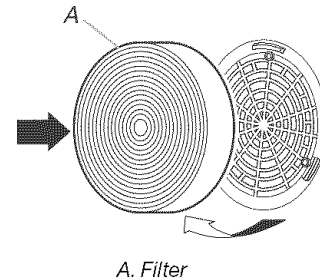


- A. Green ground screw
- B. Hood wiring
- C. White wires
- D. Twist-on connectors
- E. Black wires
- F. Power supply cable

5. Tighten strain relief screws.
6. Replace the terminal box cover.

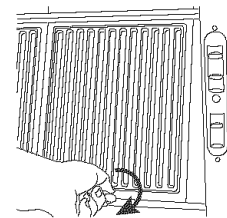
Install Filters

1. For recirculating installations only, install the charcoal filters included in Recirculation Kit Part Number 4396565. Place the charcoal filter against the blower cover and rotate to the right (clockwise) to attach to cover. Repeat with other charcoal filter.



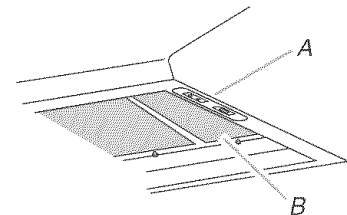
A. Filter

2. Replace metal filter. Turn knob on metal filter to the right (clockwise) to attach to range hood.



Check Operation

1. Check operation of the range hood by turning on the power.
2. The range hood controls are located on the right-hand underside of the range hood.



A. Controls
B. Filters

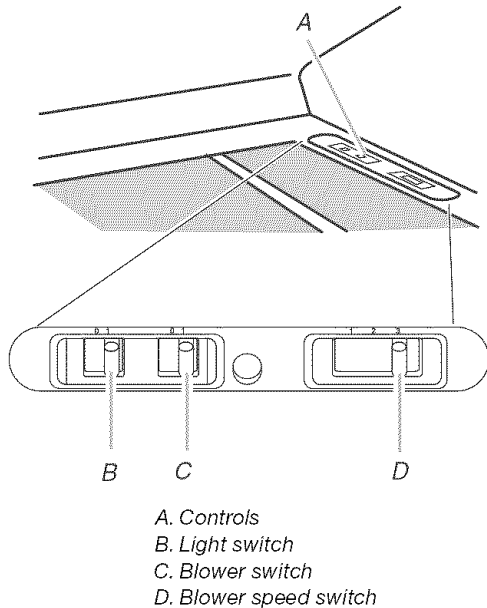
3. Move the light switch to "1" position. The light should turn on.
4. Move blower switch to "1" position. The blower should operate.
5. Move the blower speed switch to "1" position for low speed, "2" position for medium speed or "3" position for high speed.
6. Move blower and light switches to "0" position to turn blower and light off.
7. If range hood does not operate, check to see whether a circuit breaker has tripped or a household fuse has blown. Disconnect power supply and check that the wiring is correct.

NOTE: To get the most efficient use from your new range hood, read the "Range Hood Use" section.

RANGE HOOD USE

The range hood is designed to remove smoke, cooking vapors and odors from the cooktop area. For best results, start the hood before cooking and allow it to operate several minutes after the cooking is complete to clear all smoke and odors from the kitchen.

The hood controls are located on the right-hand underside of the range hood.



Range Hood Controls

Operating the light

1. Move the light switch to the "1" position to turn range hood light ON.
2. Move the light switch to the "0" position to turn range hood light OFF.

Operating the blower

1. Move the blower switch to the "1" position to turn the blower ON. The blower will begin operating at the speed set on the blower speed switch.
2. Move the blower switch to the "0" position to turn the blower OFF.

Adjusting the blower

The blower has 3 speed controls. Move the blower speed switch to "1" position for low speed, "2" position for medium speed or "3" position for high speed.

RANGE HOOD CARE

Range Hood Lamps

Replacing a Halogen Lamp

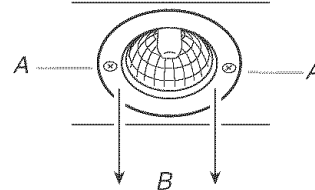
This hood uses four 12-volt, 20-watt halogen lamps.

Turn off the range hood and allow the hallogen lamps to cool.

Replace bulb using a tissue to handle bulb, or wearing cotton gloves. Do not touch bulb with bare fingers.

To Replace:

1. Disconnect power.
2. Remove 2 screws from the circular metal trim around the lamp assembly.
3. Pull the trim and lamp assembly down far enough so that the lamp can be pulled out of the socket clips.



4. Insert the new lamp into the socket clips and push the lamp assembly back up into the hood.
5. Replace the screws.
6. Reconnect the power.

Cleaning

Exterior surfaces:

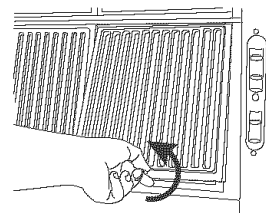
Do not use steel wool or soap-filled scouring pads. Rub in direction of the grain line to avoid scratching the surface.

Always wipe dry to avoid water marks.

- Stainless Steel Cleaner & Polish.
- Mild liquid detergent and water.
- Wipe with damp soft cloth or nonabrasive sponge, then rinse with clean water and wipe dry.

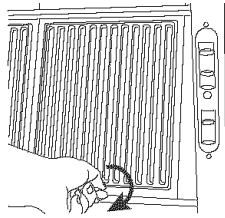
Metal Filters:

For vented installations, use 2 hands to remove filters. Turn the knob to the left (counterclockwise) to release filter. Repeat with other filter.



Wash metal filters as needed in dishwasher or hot detergent solution to clean.

Reinstall the filter by placing the back edge in the channel at rear of hood. Push filter into place, turn the knob to the right (clockwise) to attach to range hood. Repeat with other filter.



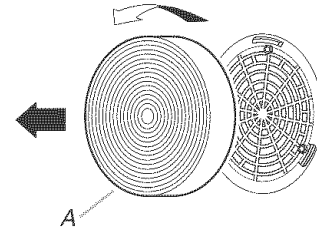
Recirculating Installation Filters:

For recirculating installations, wash metal filters as needed in dishwasher or hot detergent solution to clean.

Do not wash charcoal filter packs. Replace with Recirculation Kit Number 4396565.

Remove the old charcoal filter:

1. Rotate to the left (counterclockwise) and pull away from the blower cover and discard filter pack. Repeat for other filter.



A. Filter

2. Place the charcoal filter against the blower cover and rotate to the right (clockwise) to attach to cover.
3. Reinstall metal filter by placing back edge in channel at rear of range hood. Push filter up into place, turn the knob to the right (clockwise) to attach to range hood. Repeat with other filter.

Accessories

Optional installation kits are available from your dealer.

Recirculation Kit Part Number 4396565 includes 2 charcoal filter packs and vent cover.

ASSISTANCE OR SERVICE

Before calling for assistance or service, please check "Troubleshooting." It may save you the cost of a service call. If you still need help, follow the instructions below.

When calling, please know the purchase date and the complete model and serial number of your appliance. This information will help us to better respond to your request.

If you need replacement parts

If you need to order replacement parts, we recommend that you use only factory specified parts. Factory specified parts will fit right and work right because they are made with the same precision used to build every new KITCHENAID® appliance.

To locate factory specified parts in your area, call our Customer eXperience Center telephone number or your nearest designated service center.

In the U.S.A.

Call the KitchenAid Customer eXperience Center toll free: **1-800-422-1230**.

Our consultants provide assistance with:

- Features and specifications on our full line of appliances.
- Installation information.
- Use and maintenance procedures.
- Accessory and repair parts sales.
- Specialized customer assistance (Spanish speaking, hearing impaired, limited vision, etc.).
- Referrals to local dealers, repair parts distributors, and service companies. KitchenAid designated service technicians are trained to fulfill the product warranty and provide after-warranty service, anywhere in the United States.

To locate the KitchenAid designated service company in your area, you can also look in your telephone directory Yellow Pages.

For further assistance

If you need further assistance, you can write to KitchenAid with any questions or concerns at:

KitchenAid Brand Home Appliances
Customer eXperience Center
553 Benson Road
Benton Harbor, MI 49022-2692

Please include a daytime phone number in your correspondence.

In Canada

Call the KitchenAid Canada Customer Interaction Centre toll free: **1-800-807-6777**.

Our consultants provide assistance with:

- Features and specifications on our full line of appliances.
- Use and maintenance procedures.
- Accessory and repair parts sales.
- Referrals to local dealers, repair parts distributors, and service companies. KitchenAid Canada designated service technicians are trained to fulfill the product warranty and provide after-warranty service, anywhere in Canada.

For further assistance

If you need further assistance, you can write to KitchenAid Canada with any questions or concerns at:

Customer Interaction Centre
KitchenAid Canada
1901 Minnesota Court
Mississauga, Ontario L5N 3A7

Please include a daytime phone number in your correspondence.

KITCHENAID® VENTILATION WARRANTY

ONE YEAR LIMITED WARRANTY

For one year from the date of purchase, when this major appliance is operated and maintained according to instructions attached to or furnished with the product, KitchenAid or KitchenAid Canada (hereafter "KitchenAid") will pay for factory specified parts and repair labor to correct defects in materials or workmanship. Service must be provided by a KitchenAid designated service company.

ITEMS KITCHENAID WILL NOT PAY FOR

1. Service calls to correct the installation of your major appliance, to instruct you how to use your major appliance, to replace or repair house fuses or to correct house wiring or plumbing.
 2. Service calls to repair or replace appliance light bulbs, air filters or water filters. Those consumable parts are excluded from warranty coverage.
 3. Repairs when your major appliance is used for other than normal, single-family household use.
 4. Damage resulting from accident, alteration, misuse, abuse, fire, flood, acts of God, improper installation, installation not in accordance with electrical or plumbing codes, or use of products not approved by KitchenAid.
 5. Replacement parts or repair labor costs for units operated outside the United States or Canada.
 6. Pickup and delivery. This major appliance is designed to be repaired in the home.
 7. Repairs to parts or systems resulting from unauthorized modifications made to the appliance.
 8. Expenses for travel and transportation for product service in remote locations.
 9. The removal and reinstallation of your appliance if it is installed in an inaccessible location or is not installed in accordance with published installation instructions.
-

DISCLAIMER OF IMPLIED WARRANTIES; LIMITATION OF REMEDIES

CUSTOMER'S SOLE AND EXCLUSIVE REMEDY UNDER THIS LIMITED WARRANTY SHALL BE PRODUCT REPAIR AS PROVIDED HEREIN. IMPLIED WARRANTIES, INCLUDING WARRANTIES OF MERCHANTABILITY OR FITNESS FOR A PARTICULAR PURPOSE, ARE LIMITED TO ONE YEAR OR THE SHORTEST PERIOD ALLOWED BY LAW. KITCHENAID SHALL NOT BE LIABLE FOR INCIDENTAL OR CONSEQUENTIAL DAMAGES. SOME STATES AND PROVINCES DO NOT ALLOW THE EXCLUSION OR LIMITATION OF INCIDENTAL OR CONSEQUENTIAL DAMAGES, OR LIMITATIONS ON THE DURATION OF IMPLIED WARRANTIES OF MERCHANTABILITY OR FITNESS, SO THESE EXCLUSIONS OR LIMITATIONS MAY NOT APPLY TO YOU. THIS WARRANTY GIVES YOU SPECIFIC LEGAL RIGHTS AND YOU MAY ALSO HAVE OTHER RIGHTS, WHICH VARY FROM STATE TO STATE OR PROVINCE TO PROVINCE.

Outside the 50 United States and Canada, this warranty does not apply. Contact your authorized KitchenAid dealer to determine if another warranty applies.

If you need service, first see the "Troubleshooting" section of the Use & Care Guide. After checking "Troubleshooting," additional help can be found by checking the "Assistance or Service" section or by calling KitchenAid. In the U.S.A., call **1-800-422-1230**. In Canada, call **1-800-807-6777**.

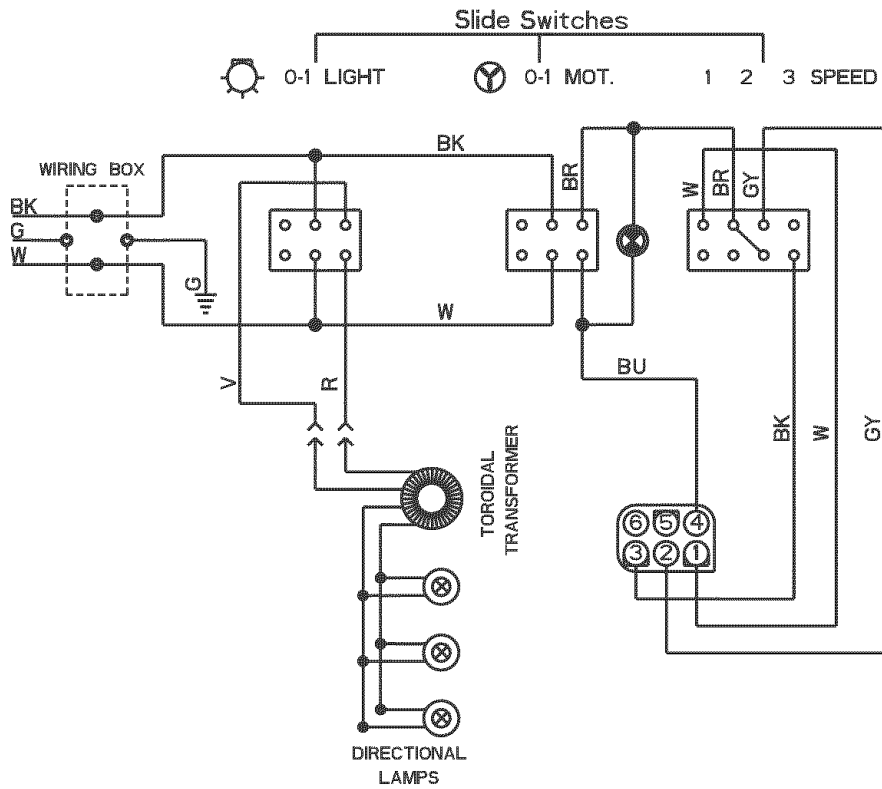
9/05

Keep this book and your sales slip together for future reference. You must provide proof of purchase or installation date for in-warranty service.

Write down the following information about your major appliance to better help you obtain assistance or service if you ever need it. You will need to know your complete model number and serial number. You can find this information on the model and serial number label located on the product.

Dealer name _____
Address _____
Phone number _____
Model number _____
Serial number _____
Purchase date _____

WIRING DIAGRAM



4 - 1 =	1 ^o	V
4 - 2 =	2 ^o	V
4 - 3 =	3 ^o	V

CAPACITOR	VOLTAGE
10 μ F 400 V	200-240 V 50-60 Hz
25 μ F 240 V	120V 60 Hz 100 V 50-60 Hz

MOTOR GROUP

SÉCURITÉ DE LA HOTTE D'ASPIRATION

Votre sécurité et celle des autres est très importante.

Nous donnons de nombreux messages de sécurité importants dans ce manuel et sur votre appareil ménager. Assurez-vous de toujours lire tous les messages de sécurité et de vous y conformer.



Voici le symbole d'alerte de sécurité.

Ce symbole d'alerte de sécurité vous signale les dangers potentiels de décès et de blessures graves à vous et à d'autres.

Tous les messages de sécurité suivront le symbole d'alerte de sécurité et le mot "DANGER" ou "AVERTISSEMENT". Ces mots signifient :

⚠ DANGER

Risque possible de décès ou de blessure grave si vous ne suivez pas immédiatement les instructions.

⚠ AVERTISSEMENT

Risque possible de décès ou de blessure grave si vous ne suivez pas les instructions.

Tous les messages de sécurité vous diront quel est le danger potentiel et vous disent comment réduire le risque de blessure et ce qui peut se produire en cas de non-respect des instructions.

IMPORTANTES INSTRUCTIONS DE SÉCURITÉ

AVERTISSEMENT : AVERTISSEMENT - POUR RÉDUIRE LE RISQUE D'INCENDIE, CHOC ÉLECTRIQUE OU DOMMAGES CORPORELS, RESPECTER LES INSTRUCTIONS SUIVANTES :

- Utiliser cet appareil uniquement dans les applications envisagées par le fabricant. Pour toute question, contacter le fabricant.
- Avant d'entreprendre un travail d'entretien ou de nettoyage, interrompre l'alimentation de la hotte au niveau du tableau de disjoncteurs, et verrouiller le tableau de disjoncteurs pour empêcher tout rétablissement accidentel de l'alimentation du circuit. Lorsqu'il n'est pas possible de verrouiller le tableau de disjoncteurs, placer sur le tableau de disjoncteurs une étiquette d'avertissement proéminente interdisant le rétablissement de l'alimentation.
- Tout travail d'installation ou câblage électrique doit être réalisé par une personne qualifiée, dans le respect des prescriptions de tous les codes et normes applicables, y compris les codes du bâtiment et de protection contre les incendies.
- Une source d'air de débit suffisant est nécessaire pour le fonctionnement correct de tout appareil à gaz (combustion et évacuation des gaz à combustion par la cheminée), pour qu'il n'y ait pas de reflux des gaz de combustion. Respecter les directives du fabricant de l'équipement de chauffage et les prescriptions des normes de sécurité - comme celles publiées par la National Fire Protection Association (NFPA) et l'American Society for Heating, Refrigeration and Air Conditioning Engineers (ASHRAE), et les prescriptions des autorités réglementaires locales.
- Lors d'opérations de découpage et de perçage dans un mur ou un plafond, veiller à ne pas endommager les câblages électriques ou canalisations qui peuvent s'y trouver.
- Les systèmes d'évacuation doivent toujours décharger l'air à l'extérieur.

MISE EN GARDE : Cet appareil est conçu uniquement pour la ventilation générale. Ne pas l'utiliser pour l'extraction de matières ou vapeurs dangereuses ou explosives.

MISE EN GARDE : Pour minimiser le risque d'incendie et évacuer adéquatement les gaz, veiller à acheminer l'air aspiré par un conduit jusqu'à l'extérieur - ne pas décharger l'air aspiré dans un espace vide du bâtiment comme une cavité murale, un plafond, un grenier, un vide sanitaire ou un garage.

AVERTISSEMENT : POUR RÉDUIRE LE RISQUE D'INCENDIE, UTILISER UNIQUEMENT DES CONDUITS MÉTALLIQUES.

AVERTISSEMENT : POUR MINIMISER LE RISQUE D'UN FEU DE GRAISSE SUR LA CUISINIÈRE :

- Ne jamais laisser un élément de surface fonctionner à puissance de chauffage maximale sans surveillance. Un renversement/débordement de matière grasseuse pourrait provoquer une inflammation et la génération de fumée. Utiliser une puissance de chauffage moyenne ou basse pour le chauffage d'huile.
- Veiller à toujours faire fonctionner le ventilateur de la hotte lors de la cuisson avec une puissance de chauffage élevée ou lors de la cuisson d'un mets à flamber (à savoir crêpes Suzette, cerise jubilee, steak au poivre flambé).
- Nettoyer fréquemment les ventilateurs d'extraction. Veiller à ne pas laisser la graisse s'accumuler sur les surfaces du ventilateur ou des filtres.
- Utiliser toujours un ustensile de taille appropriée. Utiliser toujours un ustensile adapté à la taille de l'élément chauffant.

AVERTISSEMENT : POUR RÉDUIRE LE RISQUE DE DOMMAGES CORPORELS APRÈS LE DÉCLENCHEMENT D'UN FEU DE GRAISSE SUR LA CUISINIÈRE, APPLIQUER LES RECOMMANDATIONS SUIVANTES :^a

- Placer sur le récipient un couvercle bien ajusté, une tôle à biscuits ou un plateau métallique **POUR ÉTOUFFER LES FLAMMES**, puis éteindre le brûleur à gaz ou électrique. **VEILLER À ÉVITER LES BRÛLURES.** Si les flammes ne s'éteignent pas immédiatement, **ÉVACUER LA PIÈCE ET APPELER LES POMPIERS.**
- **NE JAMAIS PRENDRE EN MAIN UN RÉCIPIENT ENFLAMMÉ** - vous risquez de vous brûler.
- **NE PAS UTILISER D'EAU**, ni un torchon humide - ceci pourrait provoquer une explosion de vapeur brûlante.
- Utiliser un extincteur **SEULEMENT** si :
 - Il s'agit d'un extincteur de classe ABC, dont on connaît le fonctionnement.
 - Il s'agit d'un petit feu encore limité à l'endroit où il s'est déclaré.
 - Les pompiers ont été contactés.
 - Il est possible de garder le dos orienté vers une sortie pendant l'opération de lutte contre le feu.

^aRecommandations tirées des conseils de sécurité en cas d'incendie de cuisine publiés par la NFPA.

- **AVERTISSEMENT :** Pour réduire le risque d'incendie ou de choc électrique, ne pas utiliser ce ventilateur avec un quelconque dispositif de réglage de la vitesse à semi-conducteurs.

CONSERVEZ CES INSTRUCTIONS

EXIGENCES D'INSTALLATION

Outillage et pièces

Rassembler les outils et pièces nécessaires avant de commencer l'installation. Lire et suivre les instructions de sécurité fournies avec les outils indiqués ici.

Outillage nécessaire

- Niveau
- Perceuse
- Foret de 1/4"
- Crayon
- Pince
- Pince à dénuder ou couteau utilitaire
- Mètre-ruban ou règle
- Pistolet à calfeutrage et composé de calfeutrage résistant aux intempéries
- Scie sauteuse ou scie à guichet
- Ruban adhésif pour conduit
- Tournevis à lame plate
- Cisaille de ferblantier
- Tournevis Phillips

Pièces fournies

Vérifier que toutes les pièces sont présentes.

- Sachet de documents
- Sachet de pièces de quincaillerie (4 vis)

Pièces nécessaires

Serre-câble de 1/2" (12,5 mm) (homologation UL ou CSA) (2)

Câble d'alimentation électrique

Bouche de décharge murale ou sur toit de 6" (15,2 cm)

Circuit d'évacuation métallique de dia. 6" (15,2 cm)

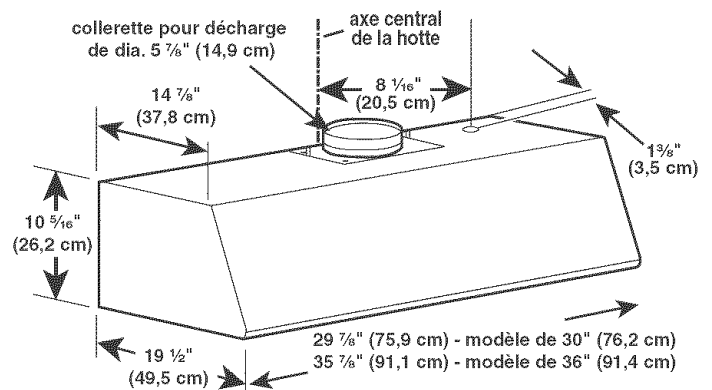
Exigences d'emplacement

IMPORTANT : Observer les dispositions de tous les codes et règlements en vigueur.

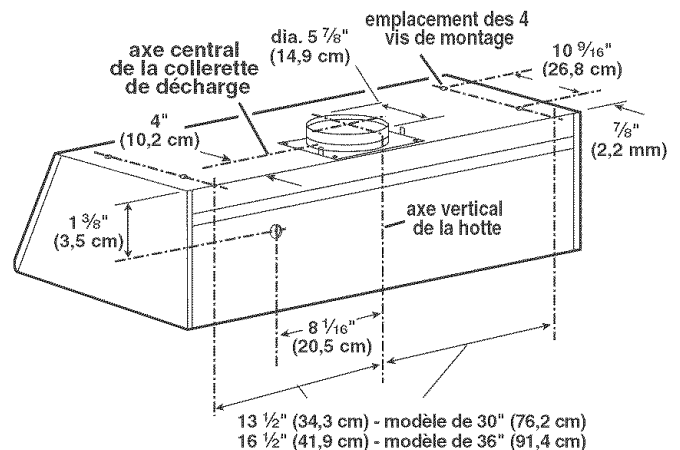
- C'est à l'installateur qu'incombe la responsabilité de respecter les distances de séparation exigées, spécifiées sur la plaque signalétique de l'appareil. La plaque signalétique est située à l'intérieur de la hotte, sur la paroi arrière.
- Installer la hotte de cuisinière à distance de toute zone exposée à des courants d'air, comme fenêtres, portes et bouches de chauffage.
- Respecter les dimensions indiquées pour la cavité d'installation entre les placards. Les dimensions indiquées prennent en compte les valeurs minimales des dégagements de séparation nécessaires. Avant d'effectuer des découpages, consulter les instructions d'installation fournies par le fabricant de la table de cuisson/cuisinière.

- On doit disposer d'une prise de courant électrique reliée à la terre. Voir la section "Spécifications électriques".
- La hotte a été configurée à l'usine pour une installation avec décharge à l'extérieur. Pour une installation avec recyclage, utiliser l'ensemble de recyclage (pièce n° 4396565) qui contient un cache-conduit et 2 filtres à charbon (disponible chez les revendeurs).
- Assurer l'étanchéité au niveau de chaque ouverture découpée dans le plafond ou le mur pour l'installation de la hotte de cuisinière.

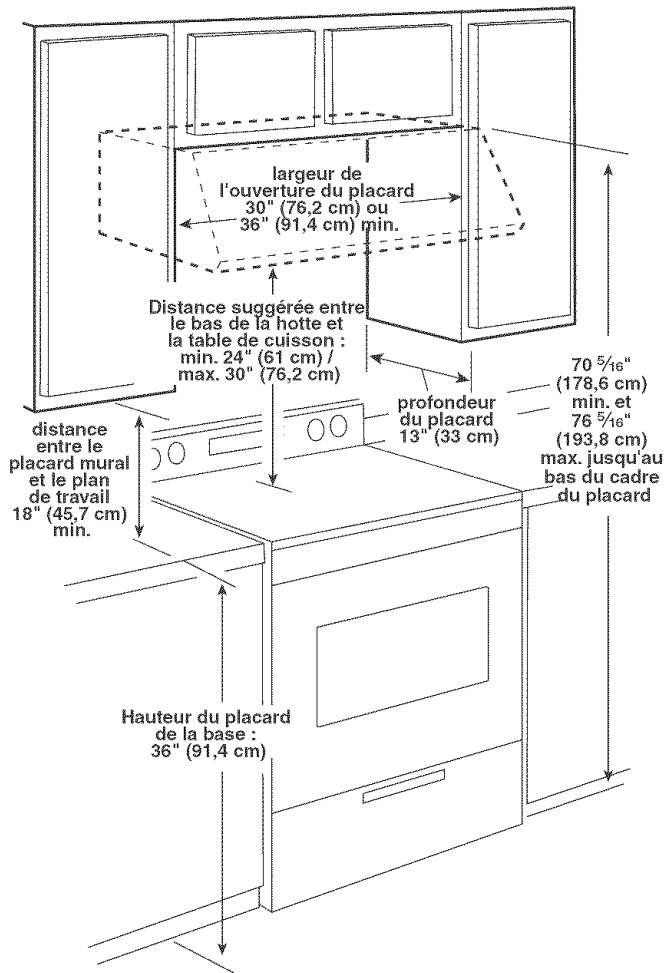
Dimensions du produit



Emplacement des vis de montage et des ouvertures de câbles électriques et conduits d'évacuation



Dégagements de séparation à respecter



Exigences concernant l'évacuation

- Ne pas terminer le conduit d'évacuation dans un grenier ou dans un autre espace fermé.
- Ne pas utiliser une bouche de décharge murale de 4" (10,2 cm) normalement utilisée pour un équipement de buanderie.
- Le système doit décharger l'air à l'extérieur.
- Utiliser uniquement du conduit métallique de 6" (15,2 cm). Un conduit en métal rigide est recommandé. Ne pas utiliser un conduit de plastique ou en métal mince.
- La taille du conduit doit être uniforme.
- Le système d'évacuation doit comporter un clapet. Si la bouche de décharge murale ou par le toit comporte un clapet, ne pas utiliser le clapet fourni avec la hotte de cuisinière.
- Au niveau de chaque jointure du conduit de décharge, assurer l'étanchéité avec du ruban adhésif pour conduit.
- Autour de la bouche de décharge à l'extérieur, assurer l'étanchéité avec un produit de calfeutrage.
- Déterminer quelle méthode d'évacuation est la plus appropriée.

Pour obtenir la meilleure performance :

- Ne pas installer 2 coudes ensemble.
- Ne pas utiliser plus de trois coudes à 90°.
- Si un coude est utilisé, on doit le placer le plus loin possible de l'ouverture de sortie du ventilateur.
- Veiller à incorporer une section de conduit rectiligne d'au moins 24" (61 cm) entre deux raccords coulés adjacents.

La longueur du système d'évacuation et le nombre de coudes doit être réduit au minimum pour fournir la meilleure performance.

Installations pour régions à climat froid

On devrait installer un clapet antireflux additionnel pour minimiser le reflux d'air froid, et incorporer un élément non métallique d'isolation thermique pour minimiser la conduction de chaleur par l'intermédiaire du conduit d'évacuation, de l'intérieur de la maison à l'extérieur. Le clapet anti-reflux doit être placé du côté air froid par rapport à l'élément d'isolation thermique.

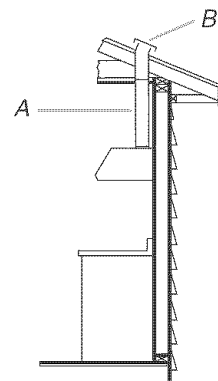
Air d'appoint

Le code du bâtiment local peut exiger l'emploi d'un système d'appoint d'air lors de l'emploi d'un ventilateur d'extraction dont la capacité d'aspiration est supérieure à un débit (pieds cubes par minute) spécifié. Le débit spécifié, pieds cubes par minute, est variable d'une juridiction à une autre. Consulter un professionnel des installations de chauffage ventilation/climatisation au sujet des exigences spécifiques applicables dans la juridiction locale.

Méthodes d'évacuation

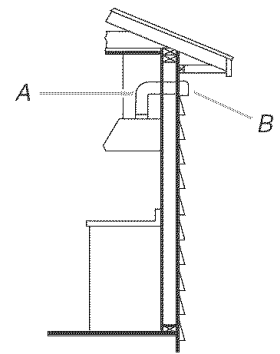
La hotte de cuisinière a été configurée à l'usine pour l'installation avec décharge à l'extérieur. La décharge de l'air aspiré peut être effectuée à travers le mur ou le toit. On doit utiliser un circuit d'évacuation de dia. 6" (15,2 cm). La longueur effective du circuit d'évacuation ne doit pas dépasser 35 pi (10,7 m).

Option 1 - Décharge à travers le toit



A. Conduit de dia. 6" (15,2 cm) - sortie à travers le toit
B. Bouche de décharge sur le toit



Option 2 - Décharge à travers le mur



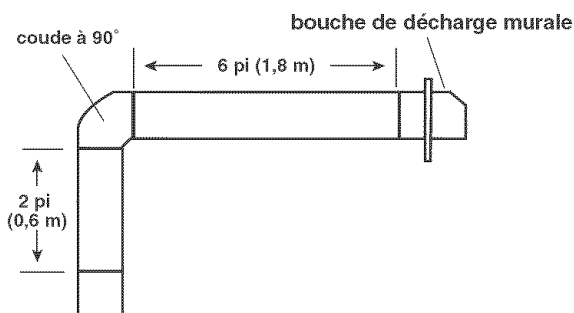
A. Conduit de dia. 6" (15,2 cm) - sortie à travers le mur
B. Bouche de décharge murale

Calcul de la longueur effective du circuit d'évacuation

Pour calculer la longueur effective du circuit d'évacuation nécessaire, additionner les longueurs équivalentes (pieds/mètres) de tous les composants utilisés dans le système.

Composant	Conduit et raccords dia. 6" (15,2 cm)	
coude à 45°	2,5 pi (0,8 m)	
coude à 90°	5 pi (1,5 m)	

Exemple de système de décharge



Longueur maximum = 35 pi (10,7 m)

1 - coude à 90° = 5 pi (1,5 m)

section droite de 8 pi (2,4 m)

1 - bouche de décharge murale = 0 pi (0 m)

Longueur totale = 13 pi (3,9 m)

REMARQUE : On déconseille l'emploi d'un conduit flexible. Un conduit flexible peut susciter une rétro-pression et des turbulences de l'air, ce qui réduit considérablement la performance.

Spécifications électriques

IMPORTANT : Observer les dispositions de tous les codes et règlements en vigueur. Conserver les instructions d'installation pour consultation par l'inspecteur des installations électriques.

C'est au client qu'incombe la responsabilité de contacter un électricien qualifié et de veiller à ce que l'installation électrique soit adéquate et réalisée en conformité avec les prescriptions de la plus récente édition de la norme National Electrical Code, ANSI/NFPA 70, ou de la norme CSA C22.1-94, Code canadien de l'électricité, partie 1 et C22.2 N° 0-M91, et de tous les codes et règlements locaux en vigueur.

Si les codes le permettent et si on utilise un conducteur distinct de liaison à la terre, il est recommandé qu'un électricien qualifié vérifie la qualité de la liaison à la terre.

Pour obtenir un exemplaire de la norme des codes ci-dessus, contacter :

National Fire Protection Association
One Batterymarch Park, Quincy, MA 02269

CSA International
8501 East Pleasant Valley Road
Cleveland, OH 44131-5575

- L'appareil doit être alimenté par un circuit de 120 V, 60 Hz, CA seulement, 15 ampères, protégé par fusible.
- Ne pas utiliser une tuyauterie de gaz pour le raccordement à la terre.
- En cas de doute quant à la qualité de la liaison à la terre de la hotte de la cuisinière, consulter un électricien qualifié.
- Ne pas installer un fusible dans le conducteur neutre ou le conducteur de liaison à la terre.
- La hotte doit être raccordée au réseau électrique uniquement avec des conducteurs de cuivre.
- La hotte doit être raccordée directement au coupe-circuit avec fusible ou au disjoncteur par l'intermédiaire de câble à conducteurs de cuivre, à blindage métallique flexible ou à gaine non-métallique.
- Le calibre des conducteurs (cuivre seulement) et les connexions doivent être compatibles avec la demande de courant de l'appareil spécifiée sur la plaque signalétique.
- Le calibre des conducteurs doit satisfaire les exigences de la plus récente édition de la norme National Electrical Code, ANSI/NFPA 70, ou de la norme CSA C22.1-94, Code canadien de l'électricité, partie 1 et C22.2 N° 0-M91 et de tous les codes et règlements en vigueur.
- Un serre-câble de 1/2" (12,7 mm) (homologation UL ou CSA) doit être installé à chaque extrémité du câble d'alimentation (sur la hotte et sur le boîtier de distribution).

INSTRUCTIONS D'INSTALLATION

Options disponibles pour le circuit d'évacuation

Instructions générales

Installation avec décharge à l'extérieur :

Exécuter les découpages nécessaires dans le mur pour le passage des conduits.

IMPORTANT : Veiller à installer le circuit d'évacuation avant d'entreprendre l'installation de la hotte.

Installation avec recyclage :

Un circuit d'évacuation (non fourni) qui décharge l'air aspiré dans la pièce, à travers le soffite ou à travers le sommet du placard, est nécessaire. Utiliser l'ensemble de recyclage numéro 4396565. Pour l'information de commande, voir "Assistance ou service".

IMPORTANT : Dans le cas de la décharge de l'air à travers le sommet du placard, veiller à ne pas terminer le conduit de décharge dans un espace fermé comme un grenier ou une cavité fermée sous le soffite.

Dans le cas de la décharge de l'air à travers le soffite, placer le circuit d'évacuation à utiliser sur le raccord de sortie, mais sans déjà le fixer.

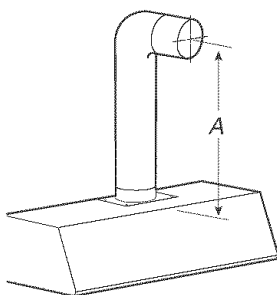
REMARQUE : On peut placer le conduit d'évacuation de telle manière qu'il décharge l'air aspiré par l'avant du soffite, ou par l'une des extrémités latérales du soffite.

Décharge à travers le soffite

1. Placer le circuit d'évacuation à utiliser sur le raccord de sortie, mais sans déjà le fixer.

REMARQUE : On peut placer le conduit d'évacuation de telle manière qu'il décharge l'air aspiré par l'avant du soffite, ou par l'une des extrémités latérales du soffite.

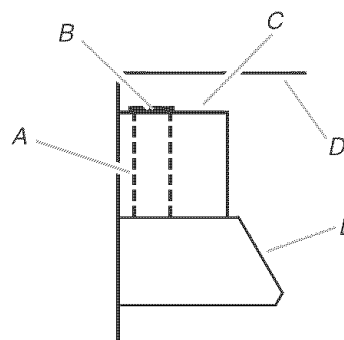
2. Relever la dimension "A" (entre le sommet de la hotte et l'axe central du conduit de diamètre 6" [15,2 cm]). Reporter la distance "A" sur le soffite.



3. Relever les dimensions appropriées et découper une ouverture de dia. 6" (15,2 cm).

Décharge à travers le sommet du placard

1. Marquer l'emplacement où la grille de sortie sera installée au sommet du placard; et découper une ouverture de dia. 6" (15,2 cm) pour la grille de sortie.



A. Circuit d'évacuation
B. Emplacement de la grille de sortie
C. Sommet du placard
D. Plafond ou soffite
E. Hotte

IMPORTANT : Ne pas terminer le conduit de décharge dans un espace fermé comme un grenier ou une cavité fermée sous le soffite.

Préparation de l'emplacement

- Installations avec décharge à l'extérieur : on recommande d'installer le circuit d'évacuation avant d'entreprendre l'installation de la hotte.
- On ne doit couper un poteau de colombage ou une solive que si c'est absolument nécessaire. S'il est nécessaire de couper un poteau ou une solive, on devra construire une structure de support appropriée.
- Avant d'exécuter les découpages, vérifier la disponibilité d'un espace de passage suffisant dans le plafond ou le mur pour le conduit d'évacuation.
- Vérifier que toutes les pièces et la boîte contenant les filtres ont été retirées de l'emballage.

Préparation

⚠ AVERTISSEMENT

Risque du poids excessif

Utiliser deux ou plus de personnes pour déplacer et installer la cuisinière.

Le non-respect de cette instruction peut causer une blessure au dos ou d'autre blessure.

1. Si possible, déconnecter la cuisinière des circuits d'électricité et/ou de gaz et déplacer la cuisinière autonome ou encastrée hors de son espace d'installation entre les placards pour faciliter l'accès au mur arrière.

- Sélectionner une surface plane pour l'assemblage de la hotte. Lors de l'assemblage, recouvrir cette surface avec un matériau de protection - couverture ou feuille de carton.

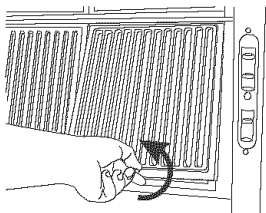
⚠ AVERTISSEMENT

Risque du poids excessif

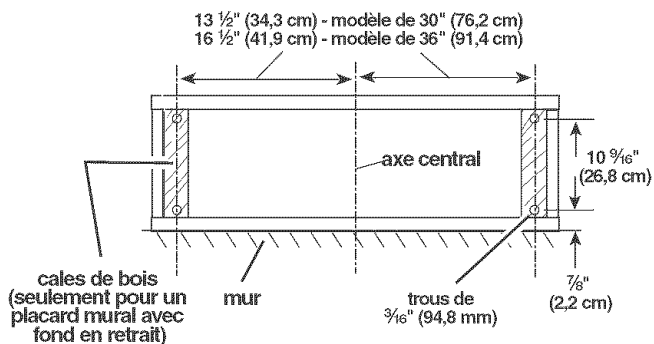
Utiliser deux ou plus de personnes pour déplacer et installer la hotte de la cuisinière.

Le non-respect de cette instruction peut causer une blessure au dos ou d'autre blessure.

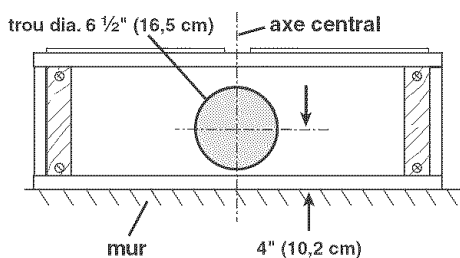
- Faire intervenir 2 personnes ou plus pour soulever la hotte pour la placer sur la surface protégée.
- Placer la hotte sur sa face arrière pour enlever les filtres métalliques. Faire tourner le bouton dans le sens antihoraire et soulever pour enlever les filtres.



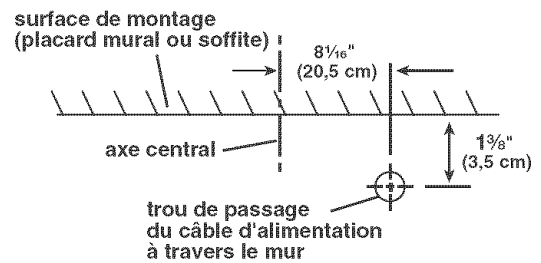
- Retirer le paquet de pièces de quincaillerie.
- Ajouter des tringles d'appui en bois selon le besoin, sur le fond du placard. Percer des avant-trous de $4 \frac{3}{16}$ " (4,8 mm) pour les vis de montage de la hotte.



- Percer un trou de diamètre de $6 \frac{1}{2}$ " (16,5 cm) dans le fond du placard - voir l'illustration.



- Percer un trou de $1 \frac{1}{4}$ " (3,2 cm) pour le passage du câble d'alimentation.



- Placer le câble d'alimentation à travers le trou conformément aux prescriptions des normes et codes en vigueur - National Electrical Code ou normes CSA, codes et règlements locaux. Il faut que la longueur du câble d'alimentation soit suffisante entre le câble de distribution et la hotte pour qu'il soit facile de réaliser les raccordements dans le boîtier de connexion de la hotte.
- Utiliser un calfeutrant pour assurer l'étanchéité au niveau de chaque ouverture découpée.

IMPORTANT : Ne pas mettre le système sous tension avant d'avoir complètement terminé l'installation.

Installation de la hotte de cuisinière

⚠ AVERTISSEMENT

Risque du poids excessif

Utiliser deux ou plus de personnes pour déplacer et installer la hotte de la cuisinière.

Le non-respect de cette instruction peut causer une blessure au dos ou d'autre blessure.

- Ôter le couvercle du boîtier de connexion (paroi arrière de la hotte). Avec un tournevis à lame plate, enlever l'opercule arrachable du trou de passage du câble. Installer le serre-câble sur le trou; veiller à ce qu'il soit facile de visser les vis de bridage à l'intérieur de la hotte. Placer la hotte en appui sur sa surface inférieure.
- Si la bouche de décharge murale ou sur toit ne comporte pas de clapet anti-reflux, installer le clapet anti-reflux sur l'ouverture de sortie au sommet de la hotte - utiliser 2 petites vis du sachet de pièces de quincaillerie.
- Placer les vis de montage de la hotte à proximité des trous percés dans le fond du placard.
- Soulever la hotte jusqu'à sa position de service tout en enfilant le câble à travers le serre-câble.
- Insérer les vis dans les trous de passage et commencer à visser les vis dans la hotte. Ensuite, bien serrer les vis.
- Connecter le circuit d'évacuation - pour décharge à l'extérieur ou pour recyclage - sur la hotte.
- Assurer l'étanchéité des jointures avec du ruban adhésif pour conduits.
- Pour une installation avec recyclage, installer la grille de sortie fournie avec l'ensemble de recyclage numéro 4396565 sur l'ouverture de décharge du soffite ou au sommet du placard.

Raccordement électrique

⚠ AVERTISSEMENT



Risque de choc électrique

Déconnecter la source de courant électrique avant l'entretien.

Replacer pièces et panneaux avant de faire la remise en marche.

Le non-respect de ces instructions peut causer un décès ou un choc électrique.

1. Déconnecter la source de courant électrique au niveau du disjoncteur ou du circuit à fusibles.
2. Dans le boîtier de connexion de la hotte, connecter ensemble le conducteur blanc du câble d'alimentation et le conducteur blanc de la hotte, avec un connecteur de fil.
3. Dans le boîtier de connexion de la hotte, connecter ensemble le conducteur noir du câble d'alimentation et le conducteur noir de la hotte, avec un connecteur de fil.

⚠ AVERTISSEMENT



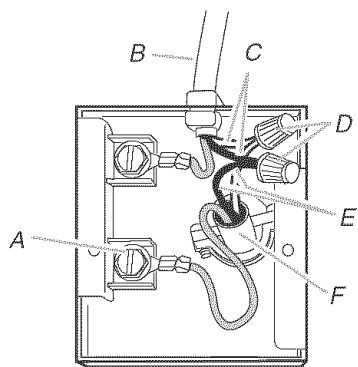
Risque de choc électrique

Relier le ventilateur à la terre.

Brancher le fil relié à la terre à la vis verte reliée la terre dans la boîte de la borne.

Le non-respect de cette instruction peut causer un décès ou un choc électrique.

4. Connecter le conducteur vert de liaison à la terre à la vis verte de liaison à la terre inutilisée.



A. Vis verte de liaison à la terre

B. Câble de la hotte

C. Conducteurs blancs

D. Connecteur de fil

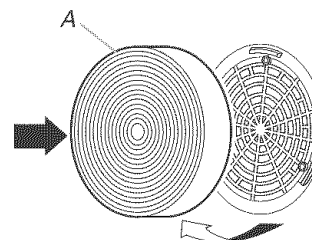
E. Conducteurs noirs

F. Câble d'alimentation électrique

5. Serrer les vis du serre-câble.
6. Réinstaller le couvercle du boîtier de connexion.

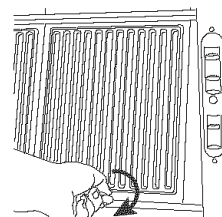
Installation des filtres

1. Seulement pour l'installation avec recyclage : installer les filtres à charbon fournis avec l'ensemble de recyclage numéro 4396565. Placer le filtre à charbon contre la grille du ventilateur et effectuer une rotation dans le sens horaire pour fixer le filtre sur la grille. Répéter pour l'autre filtre à charbon.



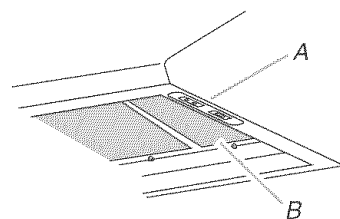
A. Filtre

2. Réinstaller le filtre métallique. Faire tourner le bouton du filtre métallique dans le sens horaire pour le fixer sur la hotte.



Contrôle du fonctionnement

1. Mettre l'appareil sous tension pour vérifier le bon fonctionnement de la hotte.
2. Les commandes sont situées sous la hotte, du côté droit.



A. Commandes

B. Filtres

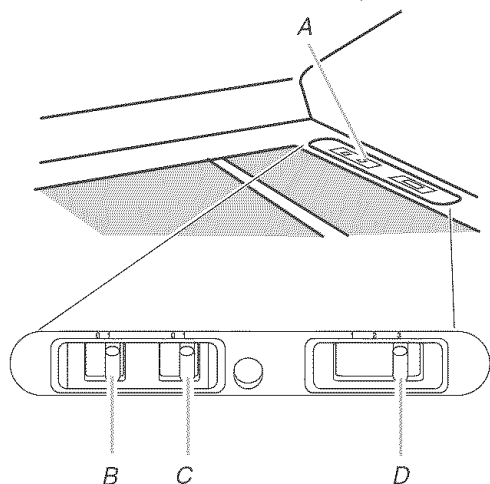
3. Pousser le commutateur d'éclairage à la position "1". La lampe devrait s'allumer.
4. Pousser le commutateur du ventilateur à la position "1". Le ventilateur devrait fonctionner.
5. Placer le sélecteur de vitesse du ventilateur à la position "1" pour la basse vitesse, à la position "2" pour la vitesse moyenne ou à la position "3" pour la haute vitesse.
6. Pour commander l'arrêt du ventilateur et l'extinction des lampes, placer les commutateurs à la position "0".
7. Si la hotte ne fonctionne pas, déterminer si le circuit est correctement alimenté (disjoncteur ouvert ou fusible grillé?). Interrompre l'alimentation électrique du circuit et vérifier que le câblage est correct.

REMARQUE : Pour pouvoir tirer le plus grand parti de la hotte de cuisinière, lire la section "Utilisation de la hotte de cuisinière".

UTILISATION DE LA HOTTE DE CUISINIÈRE

La hotte de cuisinière est conçue pour extraire fumée, vapeurs de cuisson et odeurs au-dessus de la table de cuisson. Pour obtenir les meilleurs résultats, mettre le ventilateur de la hotte en marche avant d'entreprendre une cuisson, et laisser le ventilateur fonctionner pendant plusieurs minutes après l'achèvement d'une cuisson pour pouvoir évacuer de la cuisine toute trace d'odeur de cuisson, vapeur ou fumée.

Les commandes sont situées sous la hotte, du côté droit.



- A. Commandes
- B. Commutateur d'éclairage
- C. Commutateur du ventilateur
- D. Sélecteur de vitesse du ventilateur

Commandes de la hotte de cuisinière

Commande du luminaire

1. Placer le commutateur d'éclairage à la position "1" pour commander l'allumage.
2. Placer le commutateur d'éclairage à la position "0" pour commander l'extinction.

Utilisation du ventilateur

1. Placer le commutateur du ventilateur à la position "1" pour commander la mise en marche du ventilateur. Le ventilateur commencera à fonctionner à la vitesse déjà sélectionnée par le sélecteur de vitesse.
2. Placer le commutateur du ventilateur à la position "0" pour commander l'arrêt du ventilateur.

Réglage du ventilateur

Le sélecteur de vitesse du ventilateur comporte 3 positions. Placer le bouton à la position "1" pour la basse vitesse, à la position "2" pour la vitesse moyenne ou à la position "3" pour la haute vitesse.

ENTRETIEN DE LA HOTTE DE CUISINIÈRE

Lampes de la hotte de cuisinière

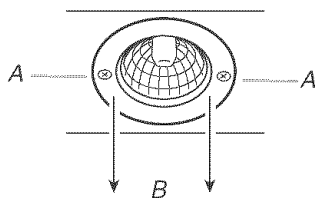
Remplacement d'une lampe à halogène.

L'éclairage sous la hotte est assuré par des lampes à halogène (12 volts 20 watts).

Interrompre l'alimentation électrique de la hotte et laisser les lampes refroidir.

Ne pas toucher une lampe à halogène à mains nues. Remplacer la lampe en utilisant un chiffon pour la manipulation ou en portant des gants en coton. Pour le remplacement :

1. Déconnecter la source de courant électrique.
2. Ôter les 2 vis de fixation de la garniture métallique circulaire de la lampe.
3. Tirer vers le bas l'ensemble garniture/lampe suffisamment pour qu'il soit possible de dégager la lampe de ses agrafes de retenue.



- A. Retirer 2 vis
- B. Tirer vers le bas l'ensemble garniture/lampe

4. Insérer la lampe neuve dans les agrafes de la douille; repousser l'ensemble garniture/lampe vers le haut dans hotte.
5. Réinstaller les 2 vis.
6. Reconnecter la source de courant électrique.

Nettoyage

Surfaces externes :

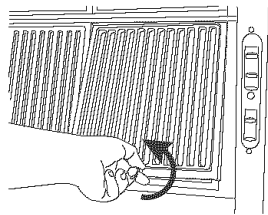
Ne pas utiliser de tampon de laine d'acier ni de tampon de récurage savonneux. Frotter dans la direction des lignes du grain pour ne pas détériorer la surface.

Toujours sécher par essuyage pour éviter de laisser des marques d'eau.

- Nettoyant et poli pour acier inoxydable.
- Détergent liquide doux et eau.
- Frotter avec un chiffon doux humidifié ou une éponge non abrasive, puis rincer avec de l'eau propre et sécher par essuyage.

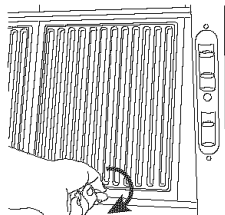
Filtres métalliques :

Pour une installation avec décharge à l'extérieur, employer les 2 mains pour enlever les filtres. Faire tourner le bouton dans le sens antihoraire pour libérer le filtre. Répéter pour l'autre filtre.



Laver le filtre métallique selon le besoin au lave-vaisselle ou avec une solution de détergent chaude.

Réinstaller le filtre en plaçant le bord arrière dans la rainure à l'arrière de la hotte. Pousser le filtre pour la mise en place; faire tourner le bouton dans le sens horaire pour la fixation sur la hotte. Répéter pour l'autre filtre.



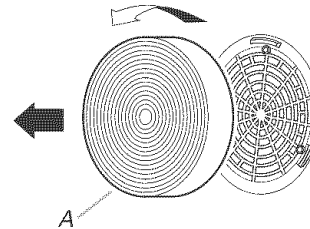
Filtres pour installation avec recyclage :

Pour les installations avec recyclage, laver les filtres métalliques selon le besoin au lave-vaisselle ou avec une solution de détergent chaude.

Ne pas laver les filtres à charbon; remplacer avec le filtre de l'ensemble de recyclage numéro 4396565.

Dépose des vieux filtres à charbon :

1. Faire pivoter le filtre dans le sens antihoraire et écarter pour le séparer de la grille du ventilateur; jeter les vieux filtres. Répéter pour l'autre filtre.



A. Filtre

2. Placer le filtre à charbon contre la grille du ventilateur; faire pivoter dans le sens horaire pour fixer le filtre sur la grille.
3. Réinstaller le filtre métallique; insérer le bord arrière dans la rainure à l'arrière de la hotte. Pousser le filtre vers le haut pour la mise en place; faire tourner le bouton dans le sens horaire pour la fixation sur la hotte. Répéter pour l'autre filtre.

Accessoires

Des ensembles d'installation facultatifs sont disponibles chez le revendeur.

Ensemble de recyclage pièce numéro 4396565 comprenant 2 filtres à charbon et le cache-conduit.

ASSISTANCE OU SERVICE

Avant de faire un appel pour assistance ou service, consulter la section "Dépannage". Ce guide peut vous faire économiser le coût d'une visite de service. Si vous avez encore besoin d'aide, suivre les instructions ci-dessous.

Lors d'un appel, veuillez connaître la date d'achat, le numéro de modèle et le numéro de série au complet de l'appareil. Ces renseignements nous aideront à mieux répondre à votre demande.

Si vous avez besoin de pièces de rechange

Si vous avez besoin de commander des pièces de rechange, nous vous recommandons d'employer uniquement des pièces spécifiées par l'usine. Les pièces spécifiées par l'usine conviendront et fonctionneront bien parce qu'elles sont fabriquées avec la même précision que celles utilisées dans la fabrication de chaque nouvel appareil KITCHENAID®.

Pour localiser des pièces spécifiées par l'usine dans votre région, contactez-nous ou appelez le centre de service désigné de KitchenAid le plus proche.

Veuillez appeler sans frais le Centre d'interaction avec la clientèle de KitchenAid Canada au : **1-800-807-6777**.

Nos consultants vous renseigneront sur les sujets suivants :

- Caractéristiques et spécifications sur toute notre gamme d'appareils électroménagers.
- Utilisation et consignes d'entretien.
- Ventes d'accessoires et pièces de rechange.
- Références aux marchands locaux, aux distributeurs de pièces de rechange et aux compagnies de service. Les techniciens de service désignés par KitchenAid Canada sont formés pour remplir la garantie des produits et fournir un service après la garantie, partout au Canada.

Pour plus d'assistance

Si vous avez besoin de plus d'assistance, vous pouvez soumettre par écrit toute question ou préoccupation à KitchenAid Canada à l'adresse suivante :

Centre d'interaction avec la clientèle
KitchenAid Canada
1901 Minnesota Court
Mississauga, Ontario L5N 3A7

Veuillez inclure dans votre correspondance un numéro de téléphone où l'on peut vous joindre dans la journée.

GARANTIE DU SYSTÈME DE VENTILATION KITCHENAID®

GARANTIE LIMITÉE DE UN AN

Pendant un an à compter de la date d'achat, lorsque ce gros appareil ménager est utilisé et entretenu conformément aux instructions jointes à ou fournies avec le produit, KitchenAid ou KitchenAid Canada (ci-après désignées "KitchenAid") paiera pour les pièces spécifiées par l'usine et la main-d'œuvre pour corriger les vices de matériaux ou de fabrication. Le service doit être fourni par une compagnie de service désignée par KitchenAid.

KITCHENAID NE PRENDRA PAS EN CHARGE

1. Les visites de service pour rectifier l'installation du gros appareil ménager, montrer à l'utilisateur comment utiliser l'appareil, remplacer ou réparer des fusibles ou rectifier le câblage ou la plomberie du domicile.
2. Les visites de service pour réparer ou remplacer les ampoules électriques de l'appareil, les filtres à air ou les filtres à eau. Ces pièces consommables ne sont pas couvertes par la garantie.
3. Les réparations lorsque le gros appareil ménager est utilisé à des fins autres que l'usage unifamilial normal.
4. Les dommages imputables à : accident, modification, usage impropre ou abusif, incendie, inondation, actes de Dieu, installation fautive ou installation non conforme aux codes d'électricité ou de plomberie, ou l'utilisation de produits non approuvés par KitchenAid.
5. Le coût des pièces de rechange et de la main-d'œuvre pour les appareils utilisés hors des États-Unis ou du Canada.
6. Le ramassage et la livraison. Ce gros appareil ménager est conçu pour être réparé à domicile.
7. Les réparations aux pièces ou systèmes résultant d'une modification non autorisée faite à l'appareil.
8. Les frais de voyage ou de transport pour le service d'un produit dans les régions éloignées.
9. La dépose et la réinstallation de votre appareil si celui-ci est installé dans un endroit inaccessible ou n'est pas installé conformément aux instructions d'installation fournies.

CLAUSE D'EXONÉRATION DE RESPONSABILITÉ AU TITRE DES GARANTIES IMPLICITES; LIMITATION DES RECOURS

LE SEUL ET EXCLUSIF RECOURS DU CLIENT DANS LE CADRE DE LA PRÉSENTE GARANTIE LIMITÉE CONSISTE EN LA RÉPARATION PRÉVUE CI-DESSUS. LES GARANTIES IMPLICITES, Y COMPRIS LES GARANTIES APPLICABLES DE QUALITÉ MARCHANDE ET D'APTITUDE À UN USAGE PARTICULIER, SONT LIMITÉES À UN AN OU À LA PLUS COURTE PÉRIODE AUTORISÉE PAR LA LOI. KITCHENAID N'ASSUME AUCUNE RESPONSABILITÉ POUR LES DOMMAGES FORTUITS OU INDIRECTS. CERTAINES JURIDICTIONS NE PERMETTENT PAS L'EXCLUSION OU LA LIMITATION DES DOMMAGES FORTUITS OU INDIRECTS, OU LES LIMITATIONS DE LA DURÉE DES GARANTIES IMPLICITES DE QUALITÉ MARCHANDE OU D'APTITUDE À UN USAGE PARTICULIER, DE SORTE QUE CES EXCLUSIONS OU LIMITATIONS PEUVENT NE PAS S'APPLIQUER DANS VOTRE CAS. CETTE GARANTIE VOUS CONFÈRE DES DROITS JURIDIQUES SPÉCIFIQUES ET VOUS POUVEZ ÉGALEMENT JOUIR D'AUTRES DROITS QUI PEUVENT VARIER D'UNE JURIDICTION À UNE AUTRE.

À l'extérieur du Canada et des 50 États des États-Unis, cette garantie ne s'applique pas. Contacter votre marchand KitchenAid autorisé pour déterminer si une autre garantie s'applique.

Si vous avez besoin de service, voir d'abord la section "Dépannage" du Guide d'utilisation et d'entretien. Après avoir vérifié la section "Dépannage", de l'aide supplémentaire peut être trouvée en vérifiant la section "Assistance ou service" ou en appelant KitchenAid. Aux É.-U., composer le **1-800-422-1230**. Au Canada, composer le **1-800-807-6777**. 9/05

Conservez ce manuel et votre reçu de vente ensemble pour référence ultérieure. Pour le service sous garantie, vous devez présenter un document prouvant la date d'achat ou d'installation.

Inscrivez les renseignements suivants au sujet de votre gros appareil ménager pour mieux vous aider à obtenir assistance ou service en cas de besoin. Vous devrez connaître le numéro de modèle et le numéro de série au complet. Vous trouverez ces renseignements sur la plaque signalétique située sur le produit.

Nom du marchand _____

Adresse _____

Numéro de téléphone _____

Numéro de modèle _____

Numéro de série _____

Date d'achat _____

SCHÉMA DE CÂBLAGE

