

KOBALT™

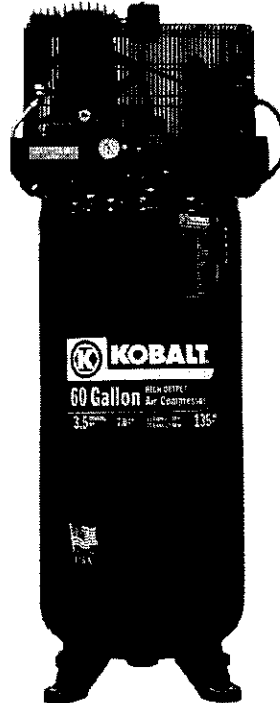
Stationary Air Compressor Manual

For Kobalt Models

K7060V



K7060HFV



K7580V2



For questions concerning this air compressor,
please call: 1-866-242-4298.

TABLE OF CONTENTS

PAGE

- 1 Safety Guidelines - Definitions**
Before Using the Air Compressor
- 2 When Installing or Moving the Compressor**
Before Each Use
- 3 Follow Safety Precautions for Electrical Connection**
Plan Ahead to Protect Your Eyes, Hands, Face & Ears
When Operating
- 4 Spraying Precautions**
Perform These Maintenance Operations
- 5 Warning Labels**
Glossary
- 6 Wiring**
Starting the Compressor
- 7-8 Troubleshooting**
- 9-13 Parts**
- 14 Warranty Statement**

SAFETY GUIDELINES - DEFINITIONS

Safety is a combination of common sense, staying alert and knowing how your compressor works. Read this manual to understand this compressor.



DANGER

means if safety information is not followed someone **will** be seriously injured or killed



WARNING

means if safety information is not followed someone **could** be seriously injured or killed



CAUTION

means if safety information is not followed someone **may** be seriously injured or killed

IMPORTANT SAFETY INSTRUCTIONS

Save these instructions

Improper operation or maintenance of this product could result in serious injury and property damage. Read and understand all warnings and operation instructions before using this compressor.

Before using the air compressor

Things you should know

Air compressors are utilized in a variety of air system applications. Because air compressors and other components (hoses, connectors, air tools, spray guns, etc.) make up a high pressure pumping system, the following safety precautions should be observed at all times.

Only persons familiar with these rules of safe operation should use the air compressor.

1. Read the instruction manual carefully before attempting to assemble, disassemble or operate your system. Be thoroughly familiar with the controls and the proper use of the equipment.
2. Review and understand all safety instructions and operating procedures in this manual.
3. Review the maintenance methods for this compressor (See "Maintaining Your Compressor" section).

Inspect your work area

1. Keep work area clean.
2. Cluttered areas and benches invite accidents. Floors must not be slippery from wax or dust.

Inspect your compressor

1. To reduce the risk of injury from accidental starting, turn switch off and disconnect the power before checking it.
2. If any part is missing, bent or broken in any way, or any electrical part does not work properly, keep the compressor off and disconnected.
3. Check hoses for weak or worn condition before each use, making certain all connections are secure. Do Not use if defect is found.



WARNING

Do not operate compressor if damaged during shipping, handling or use. Damage may result in bursting and cause injury or property damage.



DANGER

This compressor is Not designed for and should not be used in breathing air applications.

When installing or moving the compressor



WARNING

This compressor is extremely top heavy. The compressor must be bolted to the floor with vibration pads before operating to prevent equipment damage, injury or death. **Do Not** tighten bolts completely as this may cause stress to the tank welds.

To reduce the risk of a dangerous environment

1. Keep work area well lit.
2. Operate compressor in a well-ventilated area free from flammable liquids and vapors.
3. Operate compressor in a ventilated area so that compressor may be properly cooled and the surrounding air temperature will not be more than 100°F.
4. Never use a compressor in a wet environment.
5. Protect material lines and air lines from damage or puncture. Keep hose and wires away from sharp objects, chemical spills, oil, solvents and wet floors.



WARNING

Do Not secure compressor with toggle bolts into drywall. Drywall sheeting or plaster will not support the weight of the compressor.

6. A minimum clearance of 18 inches between the compressor and a wall is required because objects could obstruct airflow.
7. The compressor should be located where it can be directly wired to a circuit breaker. The compressor should be wired by a qualified electrician.
8. Never store flammable liquids or gases in the vicinity of an operating compressor.
9. **Do Not** locate the compressor air inlet near steam, paint spray, sandblasting areas or any other source of contamination. The debris could damage the motor and pump.



WARNING

Never use plastic (PVC) pipe for compressed air. Serious injury or death could result.



CAUTION

Never use the shipping skid for mounting the compressor.



NOTICE

This compressor is not intended for outdoor installation.



WARNING

Never install a shut off valve between the compressor pump and tank. Personal injury and/or equipment damage could occur.

Note: Tank Outlet Size: 1/2" NPT for Models K7060V and K7060HFV
3/4" NPT for Model K7580V2

Before each use

Inspect your work area

1. Keep work area clean. Cluttered areas and benches invite accidents.
2. The floor must not be slippery from wax or dust

Inspect your compressor

1. To reduce the risk of injury from accidental starting, turn the switch off and disconnect power.
2. If any part is missing, bent or broken in any way, or any electrical part does not work properly, keep the compressor off and disconnect power. **Do Not** use if defect is found.
3. Check hoses for weak or worn condition before each use, making certain all connections are secure. **Do Not** use if a defect is found.

Follow the safety precautions for electrical connections

1. Follow all local electrical and safety codes, as well as the National Electric Code (NEC) and the Occupational Safety and Health Act (OSHA).
2. Wiring and fuses should follow electrical codes, current capacity and be properly grounded.
3. Protect wires from contact with sharp objects.



CAUTION

All electrical connections should be made by a qualified electrician.

Plan ahead to protect your eyes, hands, face and ears

Dress for safety

1. Wear safety glasses (meeting ANSI Z87.1 or in Canada CSA Z94.3-99) and use hearing protection when operating the unit. Everyday glasses are not safety glasses.
2. Wear shoes to prevent shock hazards.
3. Tie back long hair.

Pay attention to your hands



WARNING

Keep fingers away from running compressor. Fast moving and hot parts may cause injury and/or burns.



WARNING

Be careful when touching the exterior of compressor, pump, motor and air lines; they may become hot enough to cause injury.



WARNING

Never operate the compressor without a beltguard. The compressor can start automatically without warning. Personal injury or property damage could occur from contact with moving parts.



CAUTION

The compressor may be hot even if the unit is stopped.



WARNING

Use of a mask or respirator per chemical manufacturers' instructions may be necessary if there is a chance of inhaling toxic fumes. Read mask and respirator instructions carefully. Consult a safety expert if you are not sure about the use of certain masks or respirators.

When operating

1. Do not exceed the pressure rating of any component of the system.
2. Release pressure within the system slowly to prevent flying dust and debris.
3. If the equipment starts to abnormally vibrate, STOP the compressor immediately and check for the cause.



WARNING

Never change the safety valve or pressure switch settings. Keep safety valve free from paint and other accumulations. See compressor specification decal for maximum operating pressure. Do not operate with the pressure switch set higher than the maximum operating pressure.

Spraying precautions



WARNING

Never point a spray gun at yourself or any other person or animal. Accidental discharge may result in serious injury.

Reduce the risk of dangerous environment



WARNING

Extreme caution should be taken when spraying flammable liquids as the spark from a motor or pressure switch may cause a fire or explosion. Ample ventilation must be provided.



WARNING

Spray in a well ventilated area to keep fumes from collecting and causing serious injury and fire hazards.

1. **Do Not** spray in the vicinity of open flames or other places where a spark can cause ignition. **Do Not** smoke when spraying paint, insecticides, or other flammable substances.

Be informed about the materials you use

1. When spraying with solvents or toxic chemicals, follow the instructions provided by the chemical manufacturer. Consult a safety expert if unsure about the use of masks or respirators.
2. If the material you intend to spray contains trichloroethane and methylene chloride, do not use accessories that contain aluminum or galvanized materials, as these chemicals can react with galvanized components causing corrosion and weakening equipment. Use stainless steel accessories.

Perform these maintenance operations

1. Do regular maintenance; keep all nuts, bolts, and screws tight, to be sure equipment is in safe working condition.
2. Inspect tank yearly for rust, pin holes or any other imperfections that could cause it to become unsafe.
3. Clean electrical equipment with an approved cleaning agent, such as a dry, non-flammable cleaning solvent.
4. Drain tanks of moisture after each day's use. If unit will not be used for awhile, it is best leave drain cock open until such time as it is to be used. This will allow moisture to completely drain out and help prevent corrosion of inside of tank.
5. Always disconnect from power source before working on or near a motor, or its connected load. If power disconnect point is out-of-sight, secure it in the "OFF" position and tag it to prevent unexpected application of power.



WARNING

NEVER attempt to repair or modify a tank! Welding, drilling or any other modification will weaken the tank resulting in damage from rupture or explosion. Always replace worn, cracked or damaged tanks.

3. Clean electrical equipment with an approved cleaning agent, such as a dry, non-flammable cleaning solvent.



WARNING

Disconnect power and depressurize system before servicing air compressor. Slightly open drain cock after shutting off compressor.

Daily

Check oil level at sight glass.

Drain moisture from tank.

Verify the pressure switch unloader is working by listening for a brief hissing sound when the compressor shuts off.

Visually check the compressor for loose parts, excessive noise or vibration.

Monthly

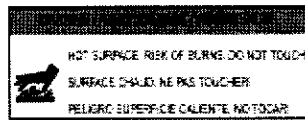
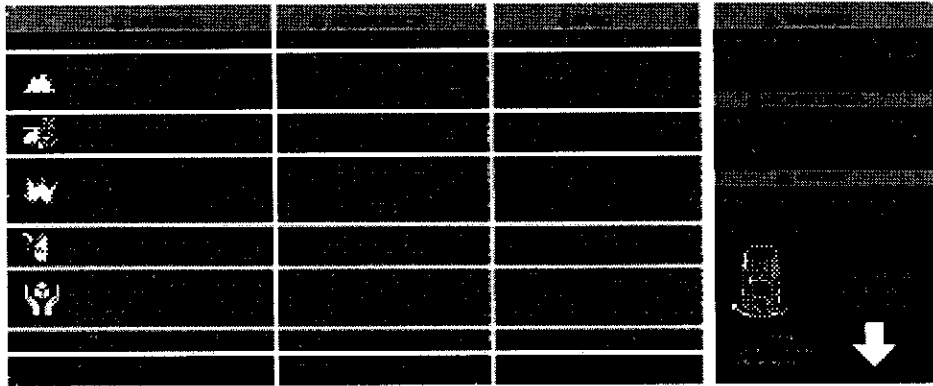
(Make sure the main power is off). Check the belts for tension. Belts should not move up and down when the compressor runs and when stopped, should not have more than 1/2 in of play when depressed. Be careful not to over tighten belts during adjustment.

Remove and check air filter, replace if necessary.

Change oil every 3 months or 300 hours. A compressor grade non-detergent oil should be used. (40 wt for K7060V/K7060HFV and 30wt for K7580V2).

WARNING LABELS

Find and read all warning labels found on the air compressor.



GLOSSARY OF TERMS

Air Filter

Porous element contained within a metal or plastic housing attached to the compressor cylinder head which removes impurity from the intake air of the compressor.

Air Tank

Cylindrical component which contains the compressed air.

Check Valve

Device which prevents compressed air from flowing back from the air tank to the compressor pump.

Electric Motor

Device which provides the rotational force necessary to operate the compressor pump.

Pressure Gauge

Device which shows the tank or regulated pressure of the compressed air.

Pressure Switch

Device which automatically controls the on/off cycling of the compressor. It stops the compressor when the cut-off pressure in the tank is reached and starts the compressor when the air pressure drops below the cut-in pressure.

PSI (Pounds per Square Inch)

Measurement of the pressure exerted by the force of air. The actual psi is measured by a pressure gauge on the compressor

Pump

Device which produces the compressed air with a reciprocating piston contained within a cylinder

Safety Valve

Device which prevents air pressure in the air tank from rising over a predetermined limit.

Thermal Overload Switch

Device, integrated into the electric motor winding, which automatically "shuts off" the compressor if the temperature of the electric motor exceeds a predetermined limit.

WIRING



WARNING

ALL ELECTRICAL WIRING SHOULD BE DONE BY A QUALIFIED ELECTRICIAN

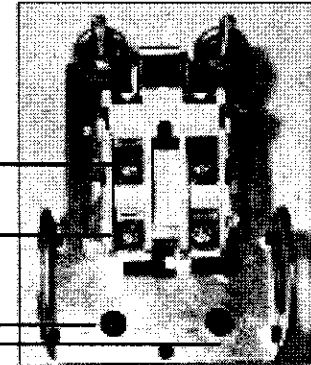
General Information

Adequate wiring and motor protection should be provided for all stationary compressors. Wiring used for other machinery should not be used. A qualified electrician familiar with local electrical codes in your area should be used.

Incoming power should be connected to the posts marked (line)

Do Not Make Connections On Prewired Posts (Motor)!

Grounding Screw



WARNING

To reduce the risk of electrical hazards, fire hazards or damage to the compressor, use proper circuit protection. Your compressor is wired at the factory for operation using the voltage shown. Connect the compressor to a power source with the correct breaker size.

	K7060V K7060HFV	K7580V2
Voltage	230V / 1 ph	230V / 1 ph
FLA	16	23
Breaker Size	30 amp	40 amp



WARNING

Electrical connections must be properly grounded. Ground connections should be connected at the grounding screw.

The motor is equipped with a manual, resettable overload device to protect it from overheating. In the event the compressor will not run and power is properly connected and on, press the motor overload reset button located on the non drive end of the motor.



CAUTION

Overheating, short circuiting and fire damage will result from inadequate wiring.

STARTING THE COMPRESSOR

Prior to actually running the compressor, check the following items:

Crankcase oil - Make sure the sight glass shows ½ full or slightly above.

Make sure all rags, tools, oil, etc. are away from the unit.

Open the air system to free it of any pressure.

Switch the compressor on for a few revolutions to make sure the rotation is correct. Correct rotation is clockwise when facing the sight glass on the pump.

Operate the compressor for a few minutes unloaded (air system open) then allow the compressor to pump up. Make sure the electrical pressure switch properly switches off the compressor according to the setting desired. (135 psi for K7060V/K7060HFV and 175 psi for K7580V2)



CAUTION

Make sure the pressure in the tank does not exceed its rating. Single stage compressors should operate at a maximum of 135 psi and two stage compressors should operate at a maximum of 175 psi. If the pressure gauge indicates a pressure that is higher than these maximum pressures, shut off compressor immediately and call 1-866-242-4298.

TROUBLESHOOTING GUIDE

<p>Low discharge pressure</p>	<ol style="list-style-type: none"> 1. Compressor too small for application 2. Air leaks 3. Restricted intake air 4. Blown gasket(s) 5. Broken or misaligned valves 	<ol style="list-style-type: none"> 1. Reduce air demand or use a compressor with more air capacity. 2. Listen for air leaks. Apply a soap solution to all fittings and connections. Bubbles will form at points of leakage. Tighten or replace fittings or connections. 3. Clean or replace air filter. 4. Replace necessary gaskets. 5. Remove head and inspect for broken or misaligned valves. Replace valves, if necessary. <p>⚠ CAUTION Install a new head gasket each time head is removed</p>
<p>Excessive noise "knocking"</p>	<ol style="list-style-type: none"> 1. Loose drive pulley or flywheel 2. Low on oil 3. Worn connecting rod or connecting rod bearing 4. Noisy check valve 	<ol style="list-style-type: none"> 1. Tighten drive pulley or flywheel bolt. 2. Check for proper oil level. Low or dirty oil may cause bearing damage. 3. Replace connecting rod and/or connecting rod bearings. 4. Replace check valve. <p>⚠ DANGER Do not remove check valve with air pressure in tank</p>
<p>Excessive oil carryover</p>	<ol style="list-style-type: none"> 1. Worn piston rings 2. Restricted intake air 3. Too much oil in compressor 4. Incorrect oil viscosity 	<ol style="list-style-type: none"> 1. Replace with new piston rings. 2. Clean or replace air filter. 3. Drain oil to proper oil level. 4. Use a quality non-detergent 30 or 40wt oil specified for each model (Page 4).
<p>Water in tank and/or discharge line</p>	<ol style="list-style-type: none"> 1. Normal. Amount of water will increase as humidity in the air increases. 	<ol style="list-style-type: none"> 1. Drain tank at least once per day. 2. Add an inline filter to reduce moisture in the air line.
<p>Will not run or motor hums</p>	<ol style="list-style-type: none"> 1. Low voltage 2. Malfunctioning pressure switch 3. Malfunctioning check valve 	<ol style="list-style-type: none"> 1. Check voltage with volt meter across both legs of incoming power. Check reset button on motor. 2. Repair or replace pressure switch. 3. Replace check valve or pressure switch. <p>⚠ DANGER Do not remove check valve with air pressure in tank</p>
<p>Breaker or reset repeatedly trips</p>	<ol style="list-style-type: none"> 1. Incorrect breaker size 2. Low voltage 3. Malfunctioning motor 4. Loose electrical connections 5. Malfunctioning pressure switch 6. Malfunctioning check valve 	<ol style="list-style-type: none"> 1. Make sure the breaker is sized properly. See page 6 in this manual. 2. Check voltage with volt meter across both legs of incoming power. 3. Replace motor. 4. Check all electrical connections. 5. Adjust or replace pressure switch. 6. Replace check valve. <p>⚠ DANGER Do not remove check valve with air pressure in tank</p>
<p>Tank does not hold pressure when not running and shut off valve is closed</p>	<ol style="list-style-type: none"> 1. Malfunctioning check valve 2. Loose fittings or connections 3. Crack or pin hole in tank 	<ol style="list-style-type: none"> 1. Replace check valve. <p>⚠ DANGER Do not remove check valve with air pressure in tank</p> <ol style="list-style-type: none"> 2. Tighten or replace fittings or connections. 3. Replace tank. Do not attempt to repair tank.

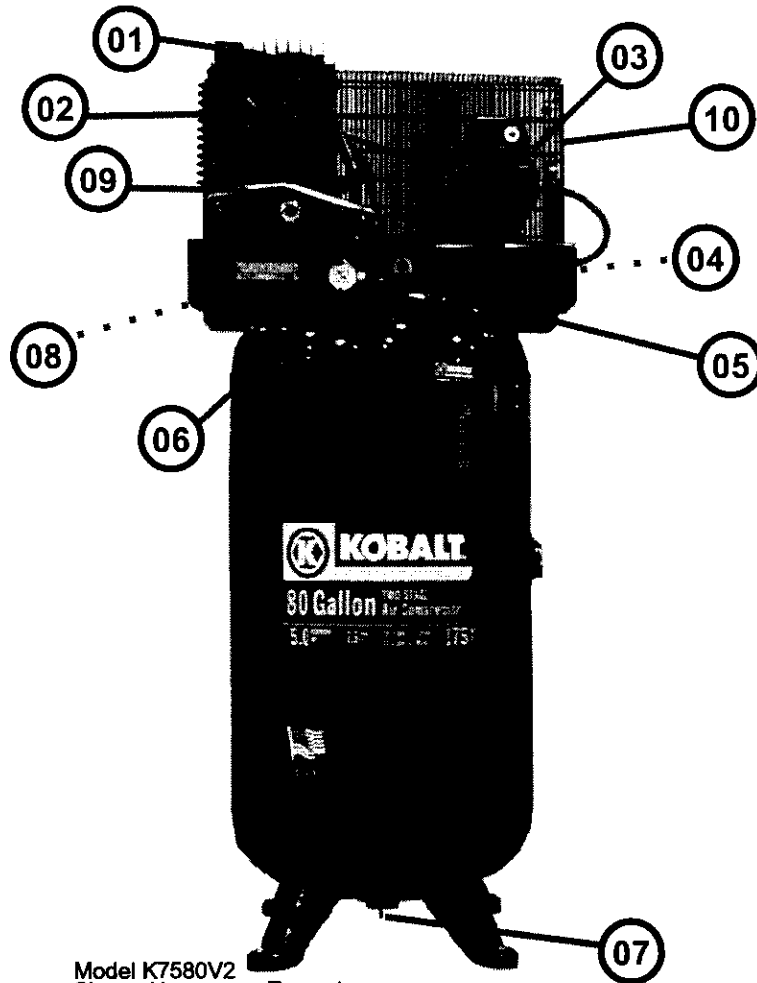
TROUBLESHOOTING GUIDE (Continued)

<p>Pressure switch un-loader constantly leaking air</p>	<p>1. Malfunctioning check valve</p>	<p>1. Replace check valve if unloader bleeds constantly.</p> <p>⚠ DANGER Do not remove check valve with air pressure in tank</p>
<p>Pressure switch not unloading</p>	<p>1. Malfunctioning pressure switch</p>	<p>1. Replace pressure switch if it does not release air pressure briefly when unit shuts off.</p> <p>⚠ DANGER Do not remove pressure switch with air pressure in tank</p>
<p>Excessive vibration</p>	<p>1. Improper installation</p> <p>2. Loose belts</p> <p>3. Misaligned flywheel or drive pulley</p>	<p>1. Make sure unit is mounted on a level surface with vibration pads.</p> <p>2. Replace belts. Align and tighten properly.</p> <p>3. Align flywheel and drive pulley.</p>
<p>Overheating</p>	<p>1. Compressor too small for application</p> <p>2. Cooling surfaces dirty</p> <p>3. Improper cooling</p>	<p>1. Reduce air demand or use a compressor with more air capacity.</p> <p>2. Clean all cooling surfaces of dirt and dust.</p> <p>3. Install compressor in an area with adequate cool dry air.</p>



KOBALT™

Electric Compressors

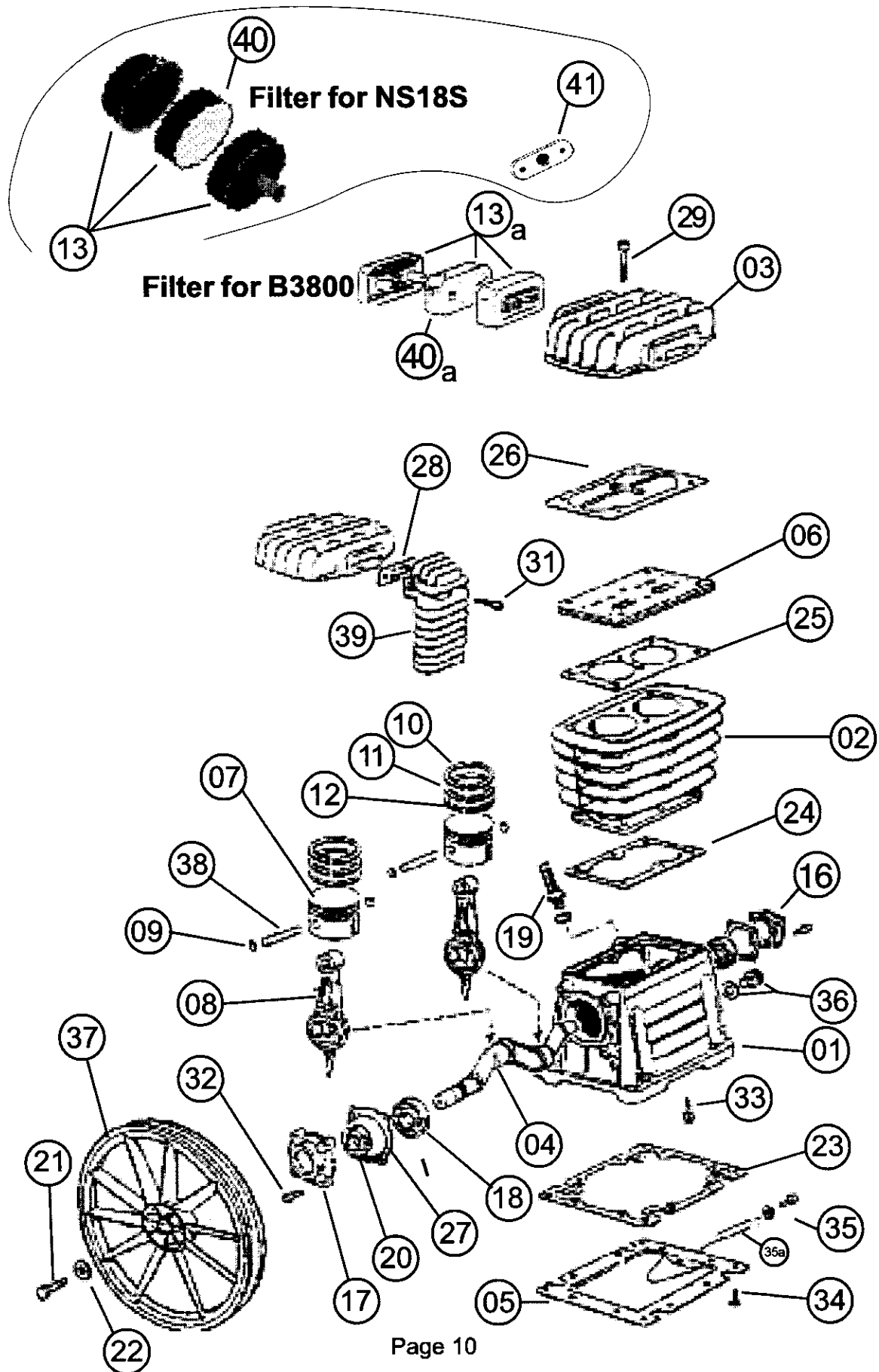


Model K7580V2
Shown Here as an Example

Illustration Number	Part Description	Single Stage	Single Stage	Two Stage
		K7060V	K7060HFV	K7580V2
1	Compressor Pump	B3800	NS18S	B5900
2	Air Filter	2281000	FS008	5281000
3	Electric Motor	M182711	M182711	M182703
4	Safety Valve	1400110	1400110	SV25200
5	Pressure Switch	PSMDR21130	PSMDR21130	PSMDR21KC1F
6	Tank Gauge	1400111	1400111	1400111
7	Tank Drain	FIB02DC	FIB02DC	FIB02DC
8	Check Valve	CV21	CV21	CV21
9	Discharge Tube	DT0265	DT031	DT030
10	Belt Guard	833500D	BG24163	BG31184
	Drive Belts	BA56	Ba54	BA60
	Drive Pulley	SAK5658	SAK5858	SAK51H

*Part Numbers Subject to Change Without Notice

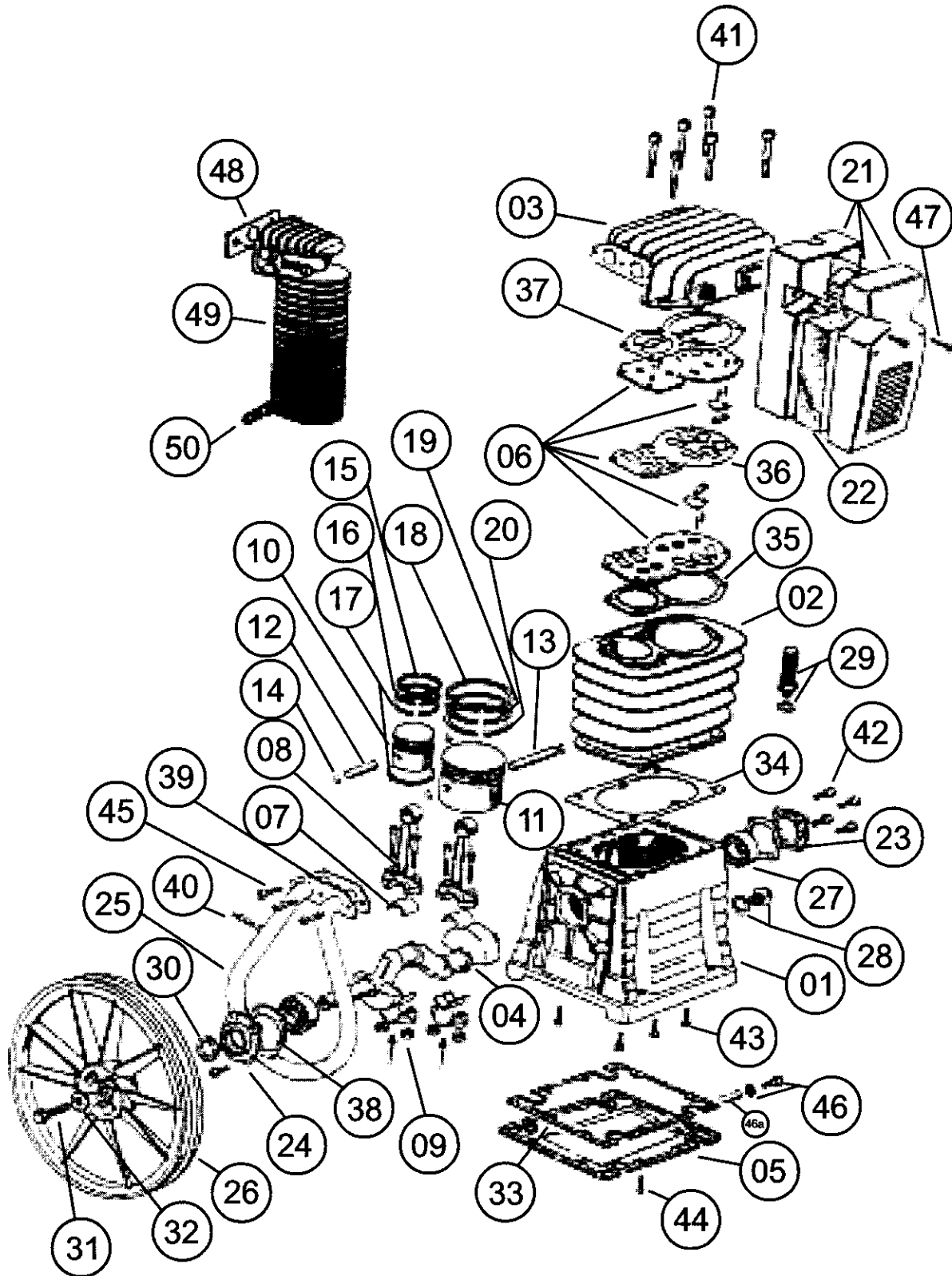
B3800 and NS18S Single Stage Compressor Pumps



B3800 and NS18S Single Stage Compressor Pumps

ILLUSTRATION NUMBER	PART NUMBER	PART DESCRIPTION
01	3660100	Crankcase
02	3630000	Cylinder
03	3860400	Head (NS18S)
	3860401	Head (B3800)
04	3660200	Crankshaft
05	3660160	Crankcase Bottom
06	2840050	Valve Assembly
07	1421100	Piston
08	3610100	Conrod
09	9140040	Circlip
10	9020011	Step Ring
11	9020041	Compression Ring
12	9020071	Oil Ring
13	FS008	Filter Assembly (NS18S)
13a	2281000	Filter Assembly (B3800)
16	2060690	Main Bearing Housing (NDS)
17	2060590	Main Bearing Housing (DS)
18	9170030	Main Bearing (6205)
19	9024021	Oil Fill Plug
20	9163010	Oil Seal
21	9110014	Flywheel Bolt
22	9004008	Flywheel Washer
23	3650100	Crankcase Bottom Gasket
24	3650201	Frame Gasket
25	2850300	Cylinder Gasket
26	2850400	Head Gasket
27	2050500	Bearing Housing Gasket
28	3670200	Aftercooler Gasket
29	9101594	Head Bolt
31	9101144	Aftercooler Bolt
32	9101094	Bearing Housing Bolt
33	9107254	Cylinder Bolt
34	9114273	Crankcase Bottom Bolt
35	9101154	Oil Drain Plug
35a	9053853	Oil Drain Tube
36	9022001	Oil Sight Glass
37	3600100	Flywheel
38	3021200	Wrist Pin
39	3670102	Aftercooler
40	FE004	Filter Element (NS18S)
40a	4981100	Filter Element (B3800)
41	FSAD01	Filter Adapter
	Gasket Kit	3650055

B5900 Two Stage Compressor Pump



B5900 Two Stage Compressor Pump

Illustration Number	Description	Quantity	Part Number
1.	Crankcase	1	5961101
2.	Cylinder	1	5930001
3.	Head	1	5961405
4.	Crankshaft	1	5961200
5.	Crankcase Bottom	1	5961301
6.	Valve Assembly	1	5940051
7.	Conrod Insert (Half Bearing)	4	9013013
8.	Conrod	2	5011101
9.	Conrod Nut	4	9128234
10.	HP Piston	1	5021100
11.	LP Piston	1	5922100
12.	HP Wrist Pin	1	5021200
13.	LP Wrist Pin	1	5922200
14.	Circlip	4	9140050
15.	HP Step Ring	1	9020014
16.	HP Compression Ring	1	9020044
17.	HP Oil Ring	2	9020074
18.	LP Step Ring	1	9020035
19.	LP Compression Ring	1	9020047
20.	LP Oil Ring	1	9020065
21.	Air Filter Assembly	1	5281000
22.	Air Filter Element	1	5281100
23.	Bearing Housing (NDS)	1	5061690
24.	Bearing Housing (DS)	1	5061590
25.	Intercooler Tube	1	5962020
26.	Flywheel	1	4000101
27.	Main Bearing (6206)	2	9170020
28.	Oil Sight Glass	1	9022003
29.	Oil Fill Plug	1	9024011
30.	Oil Seal	1	9163020
31.	Flywheel Bolt	1	9110024
32.	Flywheel Washer	1	9004009
33.	Crankcase Bottom Gasket	1	5950101
34.	Crankcase Gasket	1	5950201
35.	Cylinder Gasket	1	5950300
36.	Valve Plate Gasket	1	5940301
37.	Head Gasket	1	5050400
38.	Bearing Housing Gasket	2	5050500
39.	Intercooler Gasket	1	5950600
40.	Safety Valve (1/4 in 65 psi)	1	9049064
41.	Head Bolt	6	9101756
42.	Bearing Housing Bolt	8	9101144
43.	Cylinder Bolt	6	9101324
44.	Crankcase Btm. Bolt	12	9114262
45.	Intercooler Bolt	3	9101154
46.	Oil Drain Plug	1	9101154
46a.	Oil Drain Tube	1	9053853
47.	Inlet Filter Bolt	2	9101524
48.	Aftercooler Gasket	1	5070200
49.	Aftercooler	1	5070101
50.	Safety Valve (1/4 in 217 psi)	1	9049032
Kits			
Gasket Kit	53N0056	HP Ring Kit	8227093
HP Running Gear Kit	8226502	LP Ring Kit	8227092
LP Running Gear Kit	8226503		

Stationary Compressor Limited Warranty

Lowes Kobalt Models K7060V, K7060HFV & K7580V2

Warranty

This warranty of the Lowes Kobalt Stationary Single-Stage Models K7060V and K7060HFV, and Stationary Two-Stage Model K7580V2 (hereinafter the "Kobalt Product") extends to the original user of the Kobalt product.

Warranty Duration

This Kobalt Product is warranted to the original purchaser from the original purchase date for three (3) years subject to the Warranty Coverage described herein.

Warranty Coverage

This Kobalt Product is warranted by Abac/American IMC, Inc. USA (referred to hereinafter as "Abac"), 1623 Cedar Line Drive, Rock Hill, SC 29730 to be free from defects in material and workmanship.

This warranty is void if: defects in materials or workmanship or damages result from repairs or alterations which have been made or attempted by others or the unauthorized use of nonconforming parts; the damage is due to normal wear, damage is due to abuse (including overloading of the Kobalt Product beyond capacity), improper maintenance, neglect or accident; or the damage is due to the use of the Kobalt Product after partial failure or use with improper accessories or unauthorized repair or alteration. If Kobalt Models K7060V and K7060HFV are used for commercial or industrial purposes the warranty will apply for ninety (90) days from the date of purchase. Kobalt Model K7580V2 is not limited to a ninety (90) day warranty when used in commercial or industrial applications.

In addition this warranty does not cover, nor include any other Kobalt product, including:

- Kobalt product sold as reconditioned or used as rental equipment.
- Pre-delivery service such as assembly, oil or lubricants and adjustments.
- Kobalt products that have become damaged or inoperative because of ordinary wear, misuse (an air compressor that pumps air more than the recommended duty cycle during a one hour period may be considered misuse), cold, heat, rain, excessive humidity, freeze damage, use of improper lubricants, negligence, accident, failure to operate the product in accordance with the instructions provided in the Owners Manual(s) supplied with the product.
- Repair and transportation costs of merchandise determined not to be defective.
- Costs associated with assembly, required lubricants, adjustments or other installation and start-up costs.
- Normal adjustments and expendable parts or accessories supplied with the product which are expected to become inoperative or unusable after a reasonable period of use, including but not limited to belts, pressure switches, rubber isolation pads, gaskets and intake air filters.
- Products sold by Abac under the Kobalt Brand which have been manufactured by and are identified as the product of another company, such as electric motors. That product manufacturer's warranty, if any, will apply.
- Any component damaged in shipment or any failure caused by installing or operating the compressor under conditions not in compliance with the installation and operating guidelines.
- Pump or valve failure caused by rain, excessive humidity or corrosive environments and/or by using oil not specified, or by any oil contamination, or by failure to follow proper oil maintenance guidelines.
- Ring wear from inadequate filter maintenance.
- Cosmetic defects that do not interfere with compressor functionality.
- Rusted tanks, including but not limited to rust due to improper drainage.
- Electric motors and check valves after the first year of ownership.
- Drain valves.
- Damage due to improper wiring.
- Other items not listed but considered to be general wear parts.

Warranty Performance

DURING THE ABOVE DESCRIBED WARRANTY PERIODS SHOULD YOUR KOBALT PRODUCT EXHIBIT A DEFECT IN MATERIALS OR WORKMANSHIP, SUCH DEFECT WILL BE REPAIRED WHEN THE COMPLETE KOBALT PRODUCT IS SCHEDULED FOR REPAIR BY A KOBALT AUTHORIZED AIR COMPRESSOR SERVICE CENTER. Service will be scheduled in accordance to the normal work flow and business hours at the service center location and the availability of replacement parts. All decisions of "Abac" with regard to this limited warranty shall be final.

Warranty Disclaimer

NO WARRANTY, ORAL OR WRITTEN, OTHER THAN THE ABOVE WARRANTY IS MADE WITH REGARD TO THIS KOBALT PRODUCT. ANY IMPLIED WARRANTIES OF "ABAC" REGARDING THIS KOBALT PRODUCT INCLUDING BUT NOT LIMITED TO, THE IMPLIED WARRANTIES OF MERCHANTABILITY AND FITNESS FOR A PARTICULAR PURPOSE, ARE LIMITED IN DURATION TO THE WARRANTY PERIODS DESCRIBED ABOVE. "ABAC" SHALL NOT BE LIABLE FOR LOSS OF USE OF THIS PRODUCT OR OTHER INCIDENTAL OR CONSEQUENTIAL COSTS, EXPENSES, OR DAMAGES INCURRED BY THE PURCHASER.

Limitations of Warranty Disclaimers

Some states do not allow limitations on how long an implied warranty lasts, so the above limitations may not apply to you. Some states do not allow the exclusion or limitation of incidental or consequential damages, so the above limitation or exclusion may not apply to you.

Abac/American IMC, Inc. "ABAC" Authorized Service Centers for KOBALT Product

Stationary Air Compressor service under this warranty is available on these Kobalt Product models by contacting us at 1-866-242-4298 for a service center nearest you to schedule on-site repair.