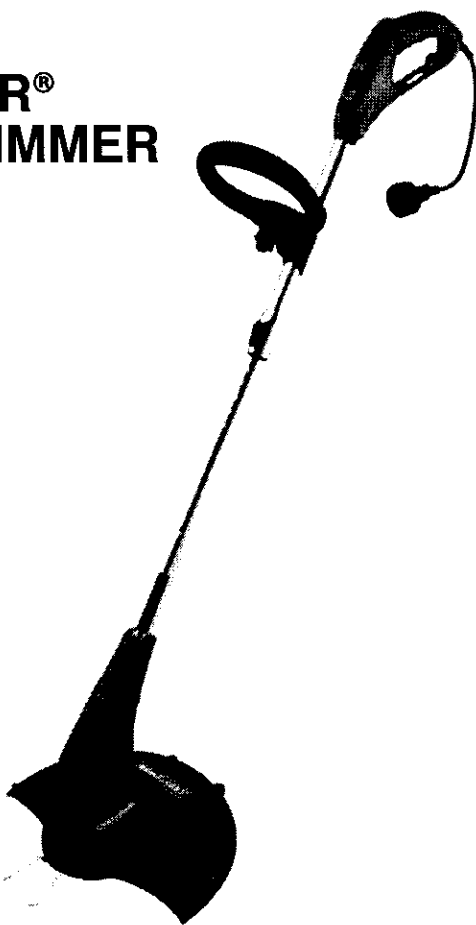


Operator's Manual

CRAFTSMAN®

4.0 Amp 12-in.
WEEDWACKER®
ELECTRIC TRIMMER

Model No.
172.74533



WARNING: Read, understand and follow all Safety Rules and Operating Instructions in this manual before using this product.

- SAFETY
- ASSEMBLY
- OPERATION
- MAINTENANCE
- PARTS LIST

? For answers to your questions about this product:
Call 7 AM - 7 PM, Mon. – Sat; Sun, 10 am – 7pm
1-800-4-MY-HOME® (Hours listed are Central Time)

Sears, Roebuck and Co., Hoffman Estates, IL 60179 U.S.A.

TABLE OF CONTENTS

Warranty.....	Page 2
Safety Rules.....	Pages 3-8
Description.....	Page 9
Specifications.....	Page 9
Assembly.....	Pages 10-14
Operation.....	Pages 15-17
Maintenance.....	Page 18
Repair Parts.....	Pages 19-20

WARRANTY STATEMENT

ONE YEAR FULL WARRANTY ON CRAFTSMAN WEEDWACKER ELECTRIC TRIMMER

If this Craftsman Electric Trimmer fails due to defects in material or workmanship within one year from the date of purchase, **RETURN IT TO THE NEAREST SEARS STORE IN THE UNITED STATES**, and Sears will replace it, free of charge.

If this Craftsman Electric Trimmer is used for commercial or rental purposes, this warranty applies for only 90 days from the date of purchase.

This warranty gives you specific legal rights, and you may also have other rights which vary from state to state.





Sears, Roebuck and Co., Dept. 817 WA, Hoffman Estates, IL 60179

**SAVE THESE INSTRUCTIONS!
READ ALL INSTRUCTIONS!**

RULES FOR SAFE OPERATION

The purpose of safety symbols is to attract your attention to possible dangers. The safety symbols and their explanations deserve your careful attention and understanding. The safety warnings do not by themselves eliminate any danger. The instructions or warnings they give are not substitutes for proper accident prevention measures.

SYMBOL MEANING

	SAFETY ALERT SYMBOL: Indicates danger, warning or caution. Attention is required in order to avoid serious personal injury. May be used in conjunction with other symbols or pictographs.
	DANGER: Failure to obey a safety warning will result in serious injury to yourself or to others. Always follow the safety precautions to reduce the risk of fire, electric shock and personal injury.
	WARNING: Failure to obey a safety warning can result in serious injury to yourself or to others. Always follow the safety precautions to reduce the risk of fire, electric shock and personal injury.
	CAUTION: Failure to obey a safety warning may result in property damage or personal injury to yourself or to others. Always follow the safety precautions to reduce the risk of fire, electric shock and personal injury.

NOTE: Advises you of information or instructions vital to the operation or maintenance of the equipment.

Read the operator's Manual(s) and follow all warnings and safety instructions.

Failure to do so can result in serious injury to the operator and/or bystanders.

RULES FOR SAFE OPERATION

GENERAL SAFETY INSTRUCTIONS READ ALL INSTRUCTIONS/PLAN AHEAD

SYMBOL	MEANING
--------	---------



WARNING: If correctly used, this line trimmer/edger is a quick, easy to handle and efficient tool; if used improperly or without the due precautions it could become a dangerous tool. For pleasant and safe work, **ALWAYS** strictly comply with the safety rules that are contained in this manual.



WARNING: BE SURE to read and understand all instructions. Failure to follow all instructions listed below may result in electric shock, fire and/or serious personal injury.

Safety is a combination of common sense, staying alert, and knowing how to use your tool.



WARNING: To avoid mistakes that could cause serious injury, **DO NOT** plug in the trimmer/edger until the following steps have been read and understood.

1. **ALWAYS** avoid dangerous conditions. **DO NOT** use in wet or damp areas or expose to rain.
2. **DO NOT** use in the presence of flammable gases or liquids.
3. **ALWAYS** keep bystanders at a safe distance. **NEVER** allow children near the tool.
4. **ALWAYS** dress for safety. **DO NOT** wear loose clothing, gloves, neckties, or jewelry (rings, watches, etc.) when operating tool. They can get caught and draw you into moving parts.
5. **ALWAYS** wear eye protection.
6. **ALWAYS** remove the power cord plug from the electrical outlet when making adjustments, changing parts or cleaning.
7. **ALWAYS** avoid accidental start-ups. **ALWAYS** make sure the power switch is in the OFF position **BEFORE** plugging in the power cord.
8. **DO NOT** abuse the power cord. **DO NOT** use it to carry the tool. **ALWAYS** keep the cord away from heat, oil, sharp edges or moving parts. Replace damaged cord immediately; they may create a shock or fire hazard.
9. **NEVER** leave a running tool unattended. Turn the power switch to OFF. **DO NOT** leave the tool until it has come to a complete stop.
10. **DO NOT** overreach. **ALWAYS** keep proper footing and balance at all times.

SAVE THESE SAFETY INSTRUCTIONS

RULES FOR SAFE OPERATION cont.

GENERAL SAFETY INSTRUCTIONS cont.

11. **DO NOT** operate this unit while tired, ill or under the influence of alcohol, drugs, or medication.
12. Children **MUST NOT** operate the unit.
13. Secure hair above shoulder length. **DO NOT** wear loose clothing or jewelry; they can get caught in moving parts.
14. **ALWAYS** inspect the unit before use. Replace all damaged parts prior to starting. **MAKE SURE** the unit is in original operating condition before operating.
15. Know the controls and know how to stop the blade quickly.
16. Wear protective gear. **ALWAYS** use proper work shoes with non-slip soles; snug-fitting clothing; heavy-duty non-slip gloves; eye protection such as non-fogging, vented goggles or face screen; an approved safety hard hat.
17. **MAINTAIN TOOLS PROPERLY. ALWAYS** keep tools clean and in good working order.
18. **CHECK FOR DAMAGED PARTS.** Check for alignment of moving parts, binding, breakage, or any other conditions that may affect the tool's operation. Any part that is damaged should be properly repaired or replaced before use.
19. **KEEP THE HANDLE DRY, CLEAN AND FREE OF OIL AND GREASE. ALWAYS** use a clean cloth when cleaning. **DO NOT** use solvents, brake fluids, gasoline, or other petroleum products to clean the tool, they may damage plastic parts.



WARNING! The operation of any trimmer can result in foreign objects being thrown into your eyes, which can result in severe eye damage. Before beginning power tool operation, **ALWAYS** wear safety goggles or safety glasses with side shield and a full face shield when needed. We recommend a Wide Vision Safety Mask for use over eyeglasses or standard safety glasses with side shield, available at Sears Retail Stores.

SAVE THESE SAFETY INSTRUCTIONS

RULES FOR SAFE OPERATION cont.

ELECTRICAL SAFETY

1. **Double insulated tools are equipped with a polarized plug (one blade is wider than the other). This plug will fit in a polarized outlet only one way. If the plug does not fit fully into the outlet, reverse the plug. If it still does not fit, contact a qualified electrician to install a polarized outlet. DO NOT change or alter the plug in any way.**
2. Double insulation **SYMBOL** eliminates the need for the three wire grounded power cord and grounded power supply system. Applicable only to Class II (double insulated) tools.
3. Before plugging in the tool, **BE SURE** that the outlet voltage supplied is within the voltage marked on the tool's data plate. **DO NOT** use "AC only" rated tools with a DC power supply.
4. **If operating the power tool in damp locations is unavoidable, ALWAYS use a Ground Fault Circuit Interrupter to supply power to your tool. ALWAYS wear electrician's rubber gloves and footwear in damp conditions.**
5. **DO NOT expose power tools to rain or wet conditions.** Water entering a power tool will increase the risk of electric shock.
6. **DO NOT abuse the cord. NEVER use the cord to carry the tools or pull the plug from the outlet. Keep cord away from heat, oil, sharp edges or moving parts. Replace damaged cords immediately.** Damaged cords increase the risk of electric shock.
8. When operating a power tool outside, **ALWAYS** use an outdoor extension cord marked "W-A" or "W". These cords are rated for outdoor use and reduce the risk of electric shock.

NOTE: The extension cord must have adequate wire size AWG (American Wire Gauge) for safe, efficient use. Smaller gauge wires, have greater capacity (16 gauge wire has more capacity than 18 gauge wire).

RULES FOR SAFE OPERATION cont.

SPECIFIC SAFETY RULES FOR LINE TRIMMERS / EDGERS

1. **ALWAYS** avoid accidental starting. **DO NOT** carry a plugged in trimmer with you finger on the switch. Be sure the switch is in the OFF position **BEFORE** plugging it in.
2. **DO NOT** carry the trimmer by the cord or yank cord to disconnect it from power receptacle. Keep cord away from heat oil and sharp edges.
3. **DO NOT** grasp the exposed cutting line when picking up or holding the trimmer.
4. **DO NOT FORCE THE TRIMMER.** It will do the job better and with less chance of injury at the rate for which it was designed.
5. **DO NOT OVERREACH.** Keep proper footing and balance at all times.
6. **STAY ALERT.** Watch what you are doing. Use common sense. **DO NOT** operate the trimmer when you are tired.
7. **ALWAYS** disconnect the trimmer from power source when not in use, or when you are cleaning or servicing it.
8. **ALWAYS** store the trimmer indoors, when not in use. It should be stored dry and high or locked in a place that is out of the reach of children.
9. **ALWAYS** maintain the trimmer with care. **ALWAYS** inspect the extension cord periodically and replace it if damaged. **ALWAYS** keep handles dry, clean and free from oil and grease.
10. **ALWAYS** maintain the trimmer with care. **ALWAYS** inspect the extension cord periodically and replace it if damaged. **ALWAYS** keep handles dry, clean and free from oil and grease.



WARNING: NEVER REACH UNDER THE GRASS TRIMMER (CUTTING LINE AREA) UNTIL IT HAS COMPLETELY STOPPED. THE GRASS TRIMMER'S CUTTING LINE WILL CONTINUE TO ROTATE FOR A FEW SECONDS AFTER IT IS SWITCHED OFF.

11. **ALWAYS** use only the accessories provided by or sold by Sears. Use of any other accessories may create a hazardous situation.
12. **ALWAYS** keep guards in place and in good working order. Keep hands and feet away from cutting line.
13. **WHEN LENGTHENING NEW CUTTING LINE**, be careful of the line cutter on the guard, it is sharp.

RULES FOR SAFE OPERATION cont.

14. **ALWAYS** keep ventilation openings clear of debris.
15. **BEFORE** using the grass trimmer, remove any stones, sticks, debris or objects that could be entangled or thrown by the grass trimmer.



WARNING: Some dust particles created by lawn and garden tools contain chemicals known to cause cancer, birth defects or other reproductive harm. Some examples of these chemicals are:

- Compounds in fertilizers, herbicides, pesticides, and insecticides.
- Arsenic and chromium from chemically-treated lumber.

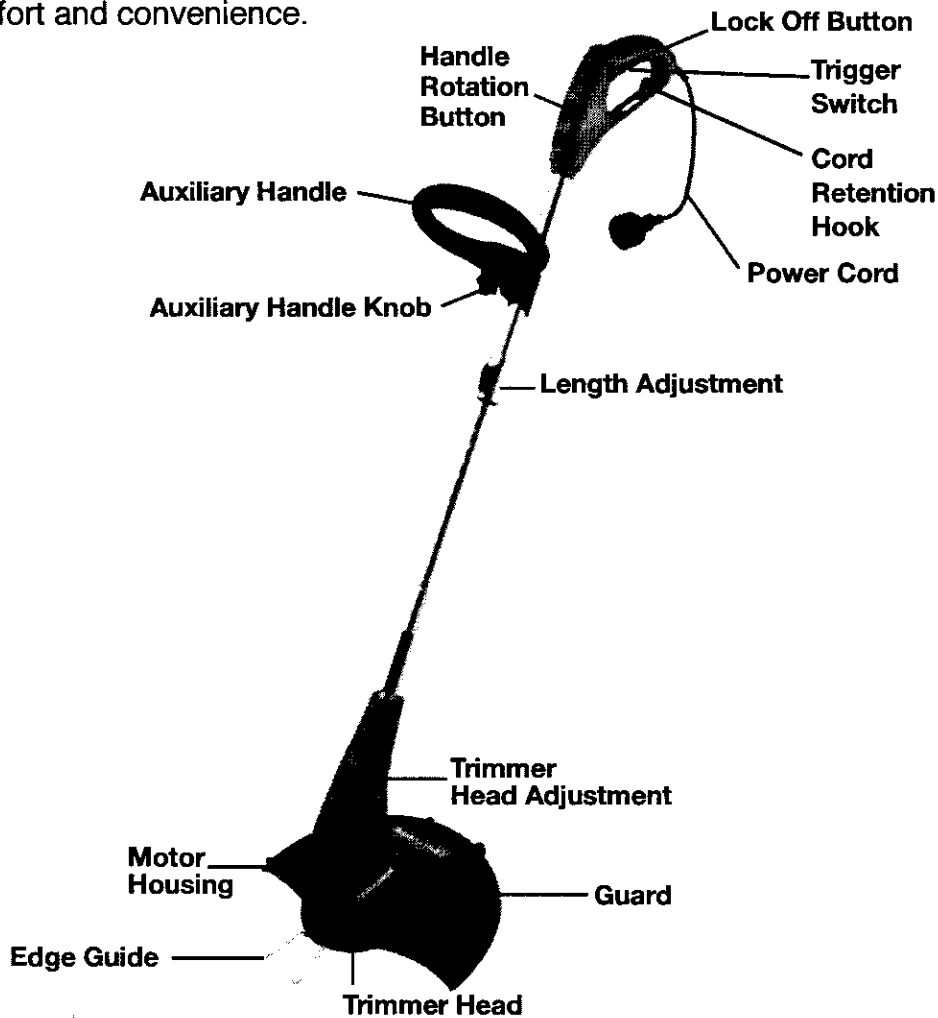
Your risk from these exposures varies, depending upon how often you do this type of work. To reduce your exposure to these chemicals:

- Work in a well-ventilated area.
- Work with approved safety equipment, such as those dust masks that are specially designed to filter out microscopic particles.

DESCRIPTION

KNOW YOUR TRIMMER/EDGER

Your line trimmer / edger has many built-in convenience features for fast, efficient trimming and edging. These features include length-adjustable handle, adjustable trimmer head, a trigger switch with lock-off to help prevent accidental starts. Bump line feed. An easy-grip handle for comfort and convenience.



SPECIFICATIONS

Cutting Swath	12 inches
Speed	9000 RPM
Line Diameter	.065-inch
Line Feed Mechanism	Bump feed
Power Head Tilt	4 positions
Height Adjustable Shaft	From 16 to 25 inches
Cord Length	10-inch pigtail
Power Requirement	120-volt, 60 Hertz AC

ASSEMBLY AND ADJUSTMENTS

UNPACKING (See Fig. 2)

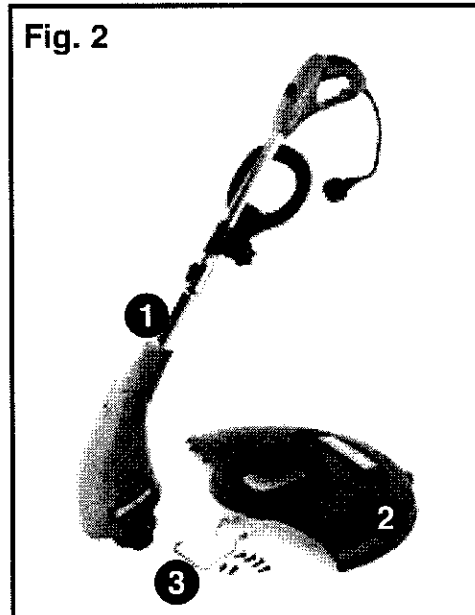
The trimmer is fully assembled except for the guard and edge guide, that must be attached.

Remove the trimmer (1), guard (2) and edge guide (3) from the carton and examine carefully.

NOTE: Do not discard box or packing material until all parts are examined.

- 1 Trimmer
- 2 Guard
- 3 Edge guide

Fig. 2



WARNING: If any part of the trimmer is missing or damaged, **DO NOT** plug in the trimmer until the damaged part is repaired or replaced.

ASSEMBLY INSTRUCTIONS

The guard must be attached to the trimmer head before use.

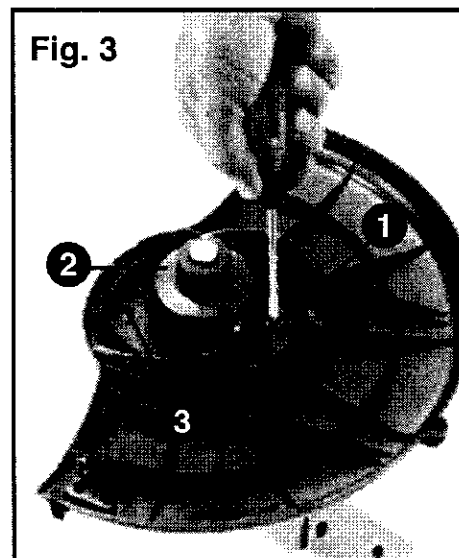


WARNING: To avoid injury, **ALWAYS** turn off and disconnect the trimmer from the power outlet **BEFORE** installing or changing the trimmer or making any adjustments.

INSTALL THE GUARD (Fig. 3)

1. Turn the trimmer over to provide access to trimmer head (2).
2. Remove the 4 screws (1) from the top of the trimmer head.
3. Fit the guard (3) over the trimmer head. Make sure the guard sits level on the head.
4. Align the 4 screws holes on the guard (3) with the 4 screw holes on the trimmer head. The larger side of the guard should be facing the same direction as the handle.
5. Insert the 4 screws and tighten. Be careful and do not over tighten

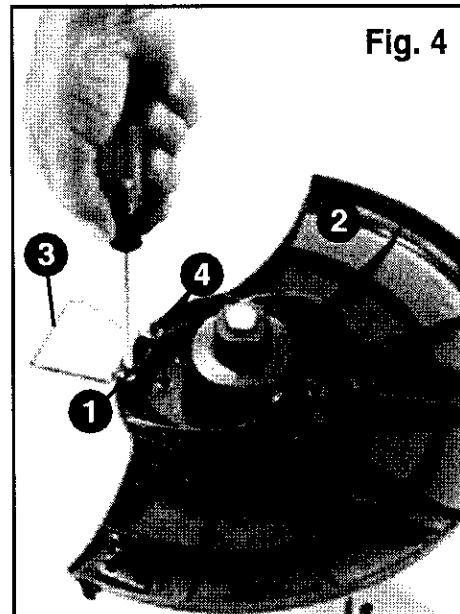
Fig. 3



ASSEMBLY AND ADJUSTMENTS cont.

INSTALL THE EDGE GUIDE (Fig. 4)

1. Remove the edge guide screws (1) from the guard (2).
2. Align the two holes on the edge guide (3) with the two holes (4) on the small side of the guard.
3. Insert the screws and tighten.

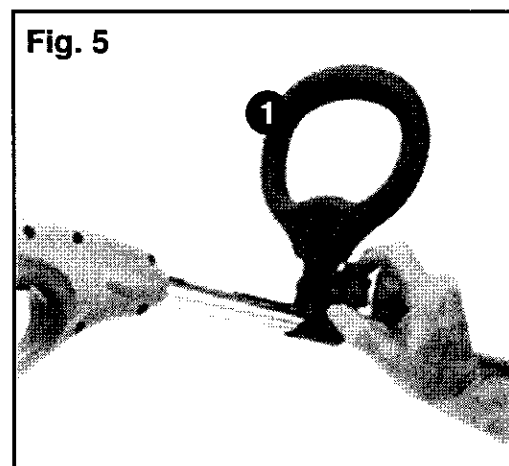


ADJUSTING THE AUXILIARY HANDLE (Fig. 5)



WARNING: To avoid injury, adjust the auxiliary handle for maximum control and balance. **DO NOT** overreach when operating the trimmer. **ALWAYS KEEP** proper balance for better control of the tool in unexpected situations.

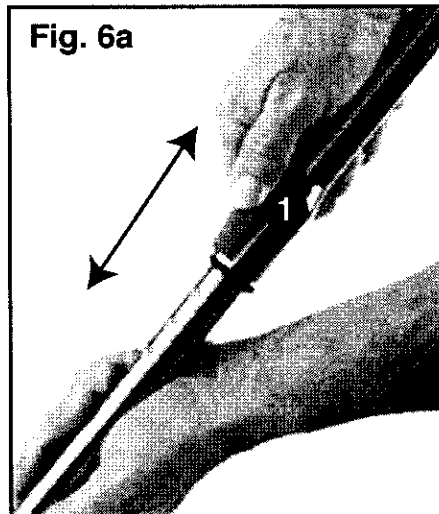
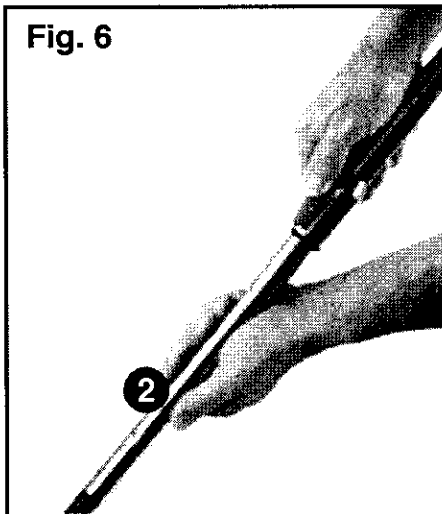
1. Before operating the trimmer, make sure the auxiliary handle (1) is tightly locked into position.
2. Turn the knob clockwise to lock the handle in position.



ASSEMBLY AND ADJUSTMENTS cont.

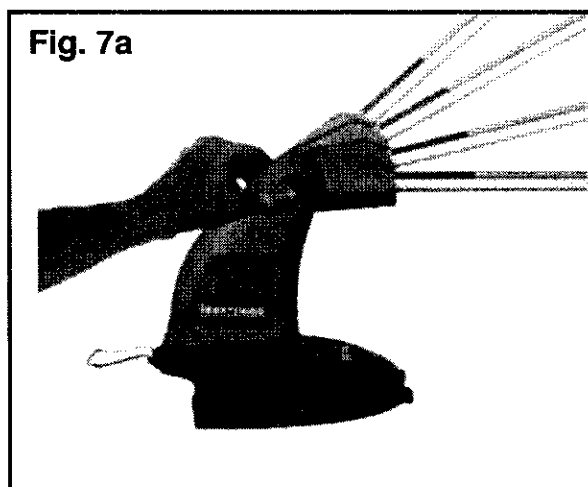
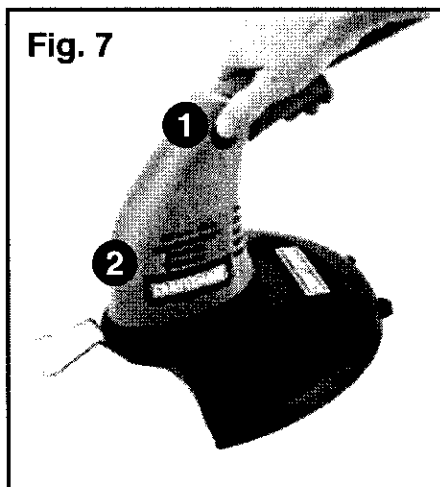
ADJUST THE HEIGHT (Fig. 6, 6a)

1. Press down on the height adjustment latch (1) to release the height adjustment lock, then pull or push the shaft (2) to the desired height.
2. Release the latch, then pull up on the shaft until it locks into position.



ADJUST THE CUTTING ANGLE (Fig. 7, 7a)

Your trimmer has a 4-position tilting head that easily adjusts to the right working angle for optimum operator control and comfort in all trimming tasks from trimming around hard-to-reach flower beds and shrubs to deck supports and fences. To change the head angle, press and release the black button (1) on the motor housing (2). Move the trimmer head to one of 4 different angles and release the button. Readjust the angle to a more comfortable working position at any time.



ASSEMBLY AND ADJUSTMENTS cont.



WARNING: DO NOT grasp the exposed cutting line when picking up or holding the grass trimmer.



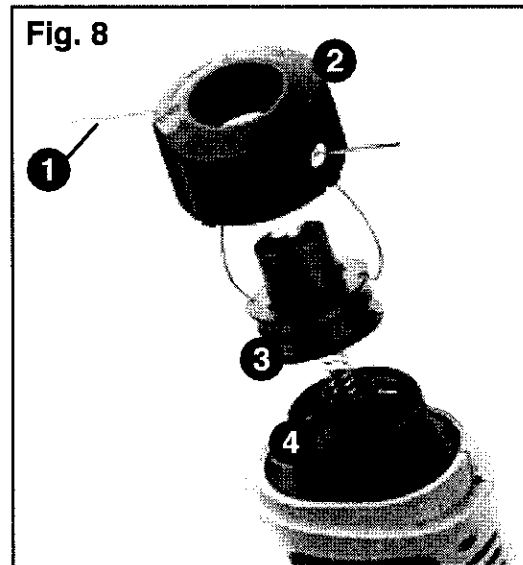
WARNING: BEFORE connecting your grass trimmer to the power outlet, always turn the switch to the off position. Failure to do so could result in accidental start-up causing serious personal injury.

THE CUTTING LINE

A double-wound cord of monofilament cutting line is pre-installed on the grass trimmer. When the cutting line needs replacing, install a new spool (71-85945) or refill the spool with new line.

REMOVE THE SPOOL: (Fig. 8)

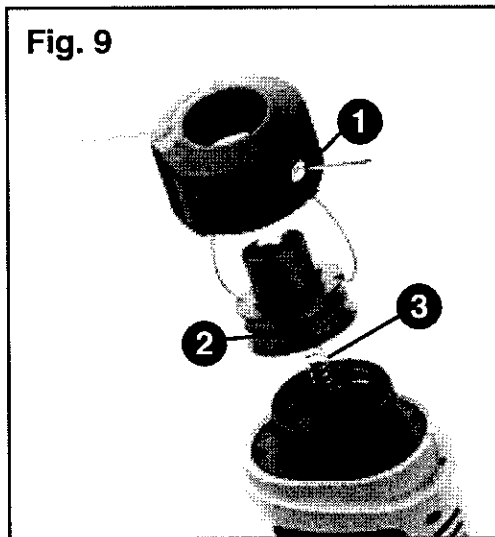
1. Unplug the power cord and turn the trimmer over to access the cutting line (1).
2. With one hand hold the spool housing retainer (4) steady, and with the other hand release the spool housing (2) by turning it counterclockwise.
3. Remove the cutting spool housing from the housing retainer.
4. Remove spool (3) from spool housing.



ASSEMBLY AND ADJUSTMENTS cont.

REPLACE THE SPOOL (Fig.9)

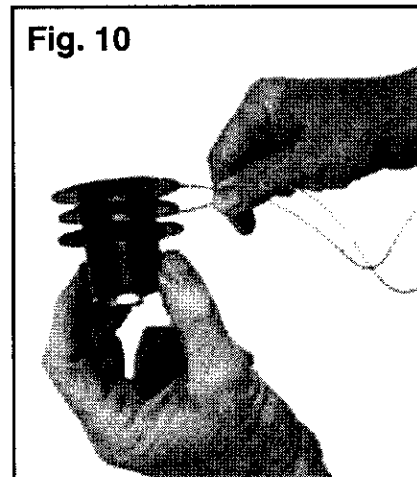
1. Replace the spool (2) with a new pre-wound spool (71-85945)
2. Insert the end of one line through an eyelet (1) in the spool housing. Insert the other line through the other eyelet.
3. Insert spool into housing. Once spool is in housing, pull lines to release them from spool rail notches.
4. Slide the spool and housing over the spring (3) and place them on the housing retainer. Make sure the two sections of the line are not caught between the housing and the housing retainer.
5. Hold the retainer with one hand. Press down and turn the cutting spool housing clockwise until the housing locks in place.



REFILL THE SPOOL (Fig. 10)

If you are unable to purchase a new pre-wound spool, you may purchase 0.065-inch monofilament cutting line and refill the spool that was provided with your grass trimmer.

1. Remove the spool from the trimmer head.
2. Cut a length of cutting line to approximately 20 feet (6m) long and fold it in half.
3. Loop the fold point all the way down into one of the notches on the middle rail of the spool to anchor the line. (Fig. 10)
4. Wind the line evenly and tightly in the direction of the arrow on the base of the spool. Make sure each section of the spool contains a separate half of the line. (Fig. 10) **DO NOT** wind the line beyond the edge of the cutting spool.
5. Leave about six inches of line unwound in each Section. Stabilize the winding by inserting the top section line into a notch on the top spool rail, and the bottom section line into a notch on the bottom spool rail.
6. Insert the end of one line through one opening in the spool housing. Insert the other line through the other opening. Tug on the lines to release them from the notches on the top and bottom spool rails.
7. Replace spool and spool housing. (See steps 4 and 5 in "Replace the Spool" above.)



OPERATION

OPERATING INSTRUCTIONS



WARNING: To avoid injury, **DO NOT** carry the grass trimmer with your finger on the switch. **DO NOT** push the lock-off button or squeeze the trigger when the grass trimmer is turned over.

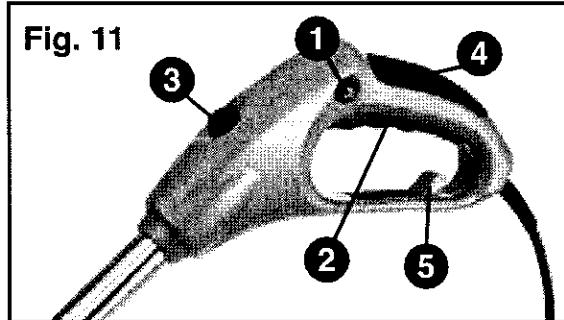
ON/OFF SWITCH (Fig. 11)

Your grass trimmer is equipped with a trigger switch (2) and a lock-off button (1). It also has a cord retention hook (5) to help keep unit plugged in. Simply loop cord through the hole in handle and around the hook.

To Turn ON the Grass Trimmer

1. Plug the grass trimmer into an AC power outlet.
2. Press and hold the Lock-Off Button (1) and squeeze the trigger switch (2). The grass trimmer will stay ON as long as the trigger switch is squeezed.

Fig. 11



Use as a trimmer



Use as a edger

To use the trimmer as an edger (for vertical trimming); press the handle rotation button (3) and rotate the handle (4) 180°. (See Figs.11 and 12.)

OPERATION cont.

OPERATING INSTRUCTIONS cont.

To Turn Off Trimmer (Fig.11)



CAUTION: Allow 5 seconds or more for the grass trimmer to stop rotating after releasing the trigger switch. **DO NOT** invert the grass trimmer or place hands under the guard until the grass trimmer has come to a complete stop.

1. Release the trigger switch (2).
2. Allow at least 5 seconds for the cutting spool to stop rotating.
3. The trimmer will be locked OFF until you press the Lock OFF button again.

HOW TO EXTEND THE CUTTING LINE (Fig. 13 and 14)

During operation, cutting lines shorten due to normal wear. For greater convenience and efficiency, your trimmer has been equipped with a bump feed head that allows you to simply bump the trimmer head to extend the cutting lines while the trimmer is operating.

1. While the trimmer is on and spinning, gently bump the spool housing on a firm surface (hard ground or a sidewalk). This should release additional cutting line from the spool.
2. If no line is released, bump the trimmer head more sharply or try a firmer surface.
3. If still no line extends, turn OFF the trimmer, wait for the spool housing to stop, and pull on the ends of the cutting line.
4. If no cutting line feeds from the spool, the spool might be empty or the cutting line might be tangled or jammed. Replace the spool

Fig. 13

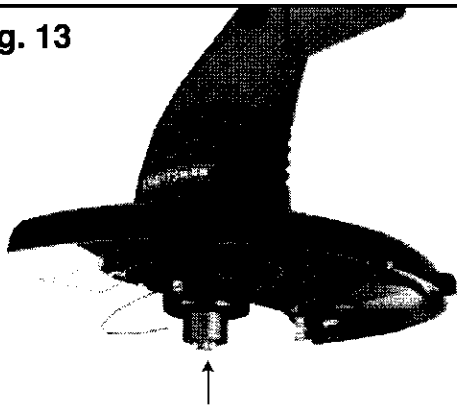
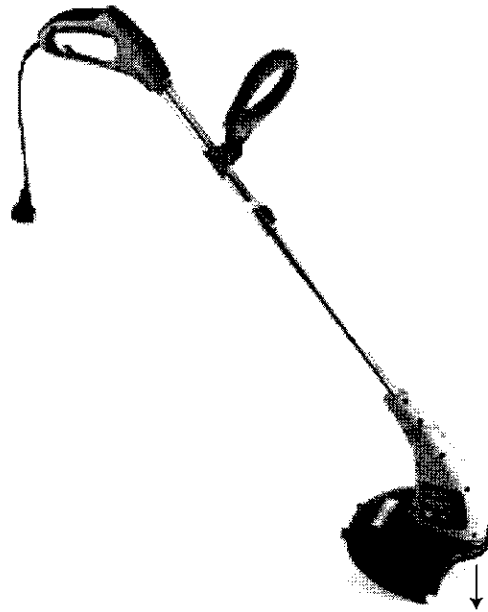


Fig. 14



OPERATION cont.

OPERATING INSTRUCTIONS cont.

TRIMMER TIPS

Before Each Use

- Make sure the protective guard is tightly installed. Tighten the guard screw. Be sure not to over tighten.
- Before trimming, inspect the area for string, wire, branches, or other material that may become entangled in the cutting line or thrown.

During Use

- Trim only when grass and weeds are dry.
- **DO NOT** trim grass at night. **ALWAYS** make sure you have adequate lighting.
- **ALWAYS** hold the grass trimmer by both the switch handle and the auxiliary handle for greater control and balance.
- Stand with the cutting head tipped down at an angle in front, guiding the grass trimmer in a semi-circular motion around you.
- Cut from right to left whenever possible. Cutting to the left improves the unit's cutting efficiency. Clippings are thrown away from the operator.
- To produce a smoothly trimmed area, move the grass trimmer in and out of the area being cut with constant speed and height.
- Use only the tip of the cutting line to do the trimming, especially near walls and fences. Trimming with the side of the cutting line may overload the motor, wear out the line faster, and break the line more often.
- **DO NOT** rest the grass trimmer spool on the ground while trimming. This will cause spool wear.
- Cut grass over 6 inches in height by working from top to bottom in small increments to avoid premature line wear or engine drag.
- When the grass trimmer is stopped, and the spool stops rotating, the cutting line will relax and may recede. Feed extra cutting line before storing the trimmer to prevent losing the line in the spool.
- If the diameter of the cutting area gets smaller, the line is worn down and needs to be advanced more often.
- If the grass trimmer is not cutting correctly, the cutting line may not be feeding properly. Remove and rewind the line spool.

MAINTENANCE

OPERATING INSTRUCTIONS cont.

Be sure the trimmer is shut off.



WARNING: Turn off the tool and unplug the power cord from the outlet **BEFORE** any maintenance on the grass trimmer

GENERAL MAINTENANCE

Keep your grass trimmer clean and in good repair for maximum long-lasting performance. Before each use, inspect the switch and cord for damage. Check for damaged, missing, or worn parts. Check for loose screws, misalignment, moving parts that are jammed, or any other conditions that may affect the operation. If abnormal vibration or noise occurs, turn off the tool immediately and have the problem corrected before further use. **DO NOT** use the grass trimmer until it is properly repaired or replaced.

CLEANING



WARNING: To avoid damage or electric shock, **DO NOT** use strong solvents or detergents on the plastic housing or plastic components. certain household cleaners may damage plastic and may also cause a shock hazard.

Wipe the outside of the grass trimmer with a dry, soft cloth. **DO NOT** hose down or wash the grass trimmer with water. Scrape the guard and spool area to remove dried clippings and mud. Brush or blow dust, debris, and grass clippings out of the air vents. Keep the vents free of obstruction.

CUTTING LINE

Replace the cutting line only with nylon monofilament line on pre-wound spools. **ALWAYS** wind the line in the same direction as the arrow on the bottom of the spool.

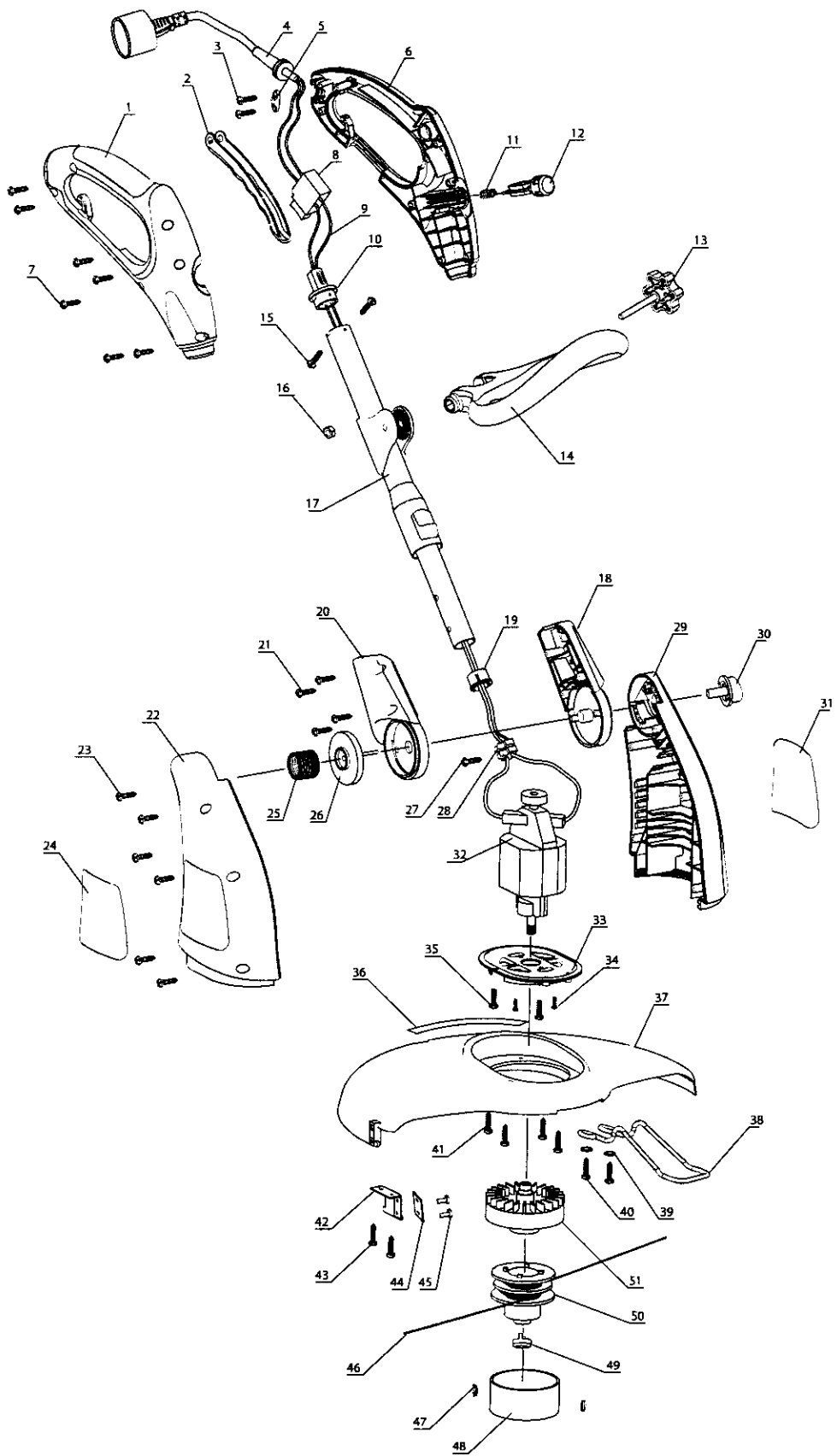
WEEDWACKER ELECTRIC TRIMMER – MODEL NUMBER 172.74533

The Model Number will be found on the Nameplate. Always mention the Model Number in all correspondence regarding your tool.

No.	Part No.	Description	Quantity
1	110021	right handle	1
2	180020	switch clamp	1
3	410002	self-tapping screwST4X16-F	2
4	340001	wire sleeve	1
5	130003	cable clamp	1
6	110020	left handle	1
7	410014	self-tapping screwST4X18-F	7
8	720020	switch	1
9	720021	spring power line	1
10	130022	fixing tube	1
11	670020	spring clip	1
12	130021	rotating button	1
13	150021	auxiliary handle locking knob	1
14	150022	auxiliary handle	1
15	410004	self-tapping screwST3X8-F	2
16	440002	nut M6	1
17	630021	extention tube	1
18	060020	left rotatory plate	1
19	130023	wire protector	1
20	060021	right rotatory plate	1
21	410015	self-tapping screwST4X16-F	4
22	060020	right housing	1
23	410016	self-tapping screwST4X20-F	6
24	100003	rated label	1
25	130025	recoil spring	1
26	670021	middle rotating plate	1

No.	Part No.	Description	Quantity
27	410017	self-tapping screwST3X18-C	1
28	740001	terminal	1
29	030022	left housing	1
30	130024	button	1
31	100001	logo label	1
32	010020	motor assembly set	1
33	120020	motor fixing plate	1
34	420001	type"±" screw	1
35	420002	type"±" screw	1
36	100002	guard logo label	1
37	170020	guard	1
38	520020	steel wire protection	1
39	670022	washer 4	2
40	330021	self-tapping screwST4X12-F	2
41	100004	self-tapping screwST4X16-C	4
42	560020	knife holder	1
43	170020	self-tapping screwST4.5X8-F	2
44	170021	knife	1
45	530020	rivet	2
46	150024	nylon line	1
47	540020	aluminum protection hole	1
48	130027	spool cover	1
49	330021	bump cover	1
50	130026	spool	1
51	140020	fan	1

SEE BACK PAGE FOR PARTS ORDERING INSTRUCTIONS.



Get it fixed, at your home or ours!

Your Home

For repair in **your home** of **all** major brand appliances, lawn and garden equipment, or heating and cooling system, **no matter who made it, no matter who sold it!**

For the replacement parts, accessories and owner's manuals that you need to do-it-yourself.

For Sears professional installation of home appliances and the items like garage door openers and water heaters.

1-800-4-MY-HOME®
(1-800-469-4663)
www.sears.com

Anytime, day or night
(U.S.A. and Canada)
www.sears.com

Our Home

For repair of carry-in products like vacuums, lawn equipment, and electronic, call or go on-line for the nearest **Sears Parts and Repair Center.**

1-800-488-1222 Anytime, day or night (U.S.A.)
www.sears.com

To purchase a protection agreement (U.S.A.) or maintenance agreement (Canada) on a product serviced by Sears:

1-800-827-6655 (U.S.A.) **1-800-361-6665** (Canada)

Para pedir servicio de reparación a domicilio, y para ordenar piezas:

1-888-SU-HOGARSM
(1-888-784-6427)

Au Canada pour service en français:

1-800-LE-FOYER^{MC}
(1-800-533-6937)
www.sears.ca

The Sears logo is displayed in a large, stylized font with a curved underline beneath the word.

© Sears, Roebuck and Co.

® Registered Trademark / TM Trademark / SM Service Mark of Sears, Roebuck and Co.

® Marca Registrada / TM Marca de F-brica / SM Marca de Servicio de Sears, Roebuck and Co.

^{MC} Marque de commerce / ^{MD} Marque déposée de Sears, Roebuck and Co.