

CRAFTSMAN

Easy on & off tractor
200-pound load capacity
Flips up when not in use
No tools required for removal

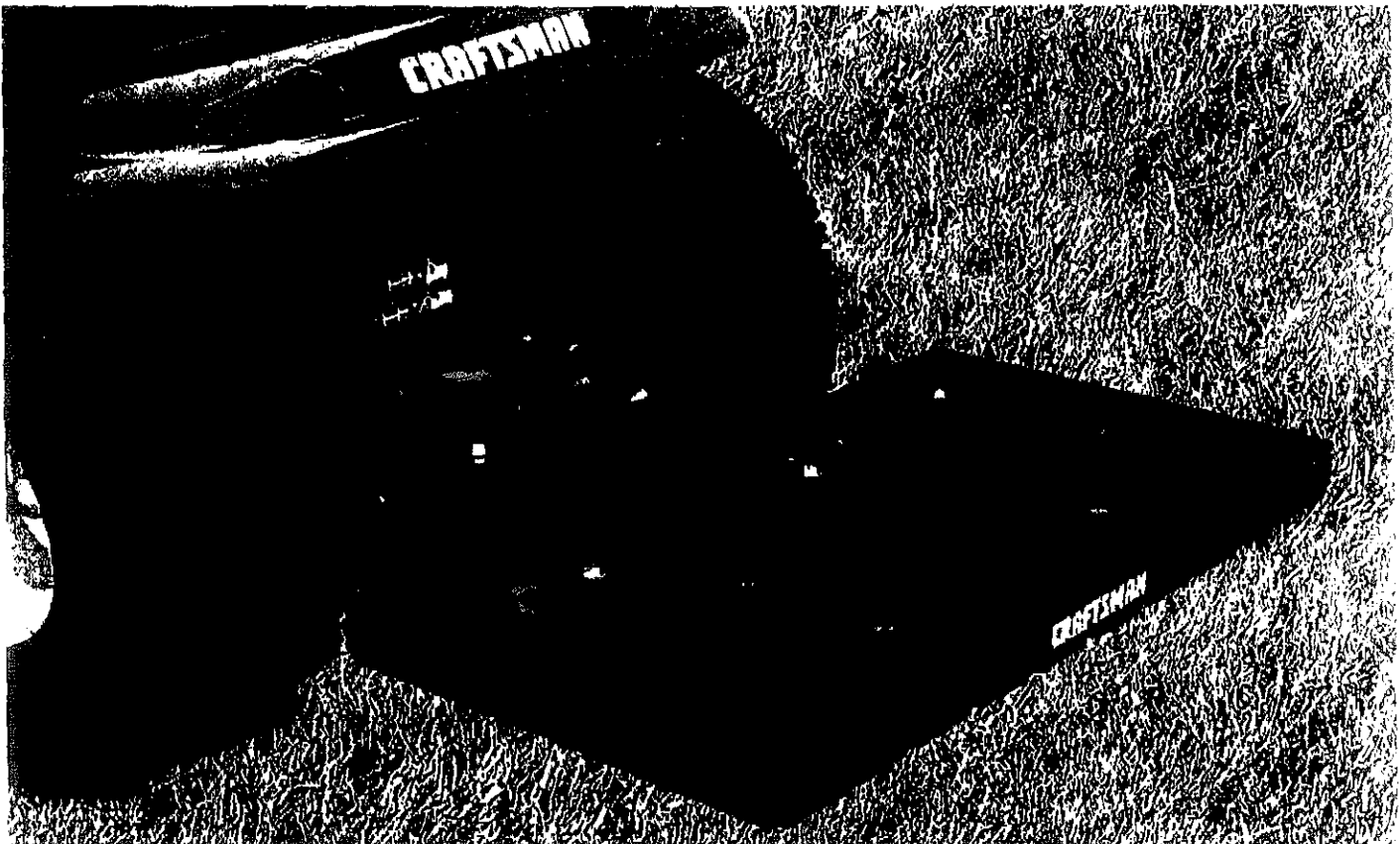
Load n' Go

Tractor Utility Deck
Model No. 610.24411

If there are any missing parts please call
1-800-652-2321.

All fasteners are readily available through any
hardware store.

Any questions on assembly, missing parts,
operation, maintenance or safety, please call
the above toll free number.



CAUTION:

Before using this product, read this
Manual and follow all it's Safety Rules
and Operating Instructions.

- Safety
- Assembly
- Operation
- Maintenance
- Parts

Sears, Roebuck and Co., Hoffman Estates, IL 60179 U.S.A.

Visit our Craftsman website: www.sears.com/craftsman

24411-REV-A
10 / 02

TABLE OF CONTENTS

- Safety Instructions
- Tools Required for Assembly
- Maintenance / Storage
- Operation
- Assembly Instructions
- Parts
- Warranty Information

SAFETY INSTRUCTIONS

- Read this Manual before assembling utility deck.
- Never stand, sit or carry passengers on the utility deck.
- Never exceed load capacity of - 200 lbs.
- Limit load to 100 lbs. and use lowest ground speed when operating on slopes.
Operate up and down slopes, never across the face of slopes. Avoid sudden turns or maneuvers.
- Never operate the tractor while loading or unloading the utility deck.

TOOLS REQUIRED FOR ASSEMBLY

- 1/2" Wrench and / or Socket.
- 9/16" Wrench and / or Socket.
- 1/4" Hex key
- Vise Grip Wrench and / or adjustable wrench.

MAINTENANCE / STORAGE

- Always inspect the utility deck before every use to ensure proper assembly and no damage is present.
- Periodically check all nuts and bolts for tightness.
- Keep utility deck clean and dry to prevent rust and corrosion.
- Store inside a clean, dry area when not in use.

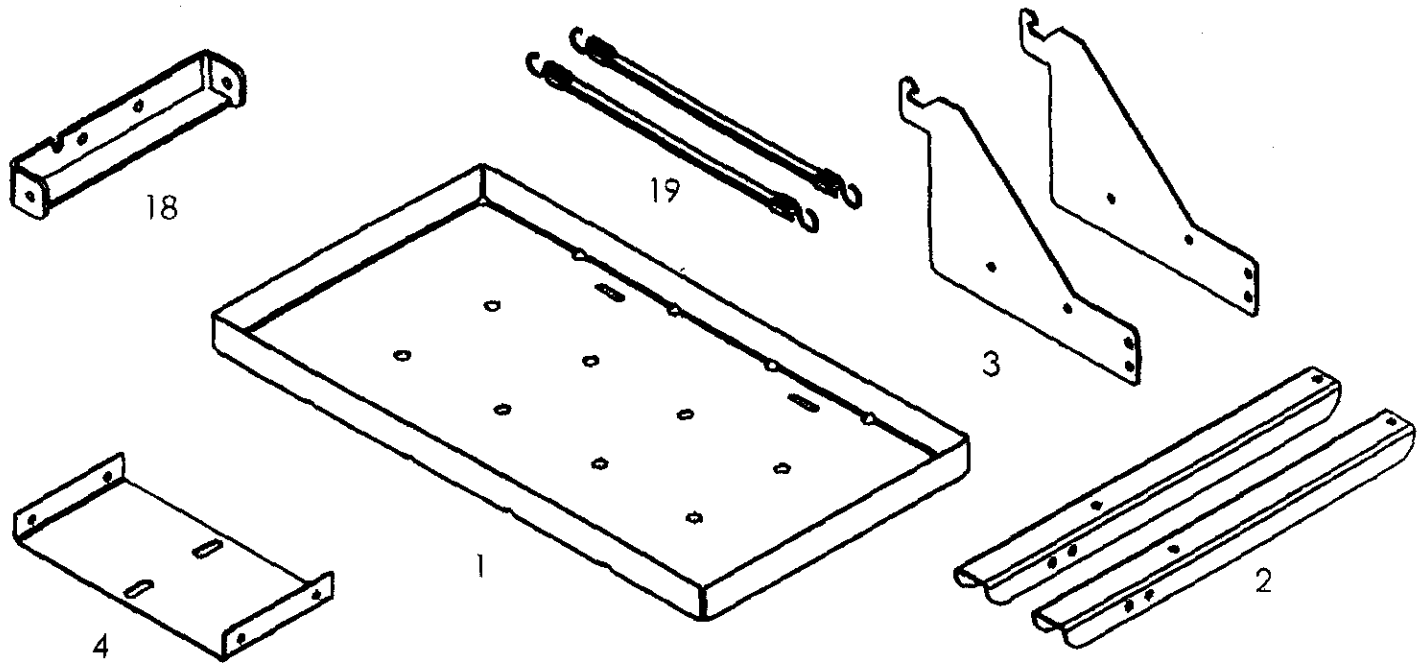
OPERATION

- Utility deck flips up when not in use allowing the use of other attachments.
- Make sure you use the bolt, wing nut, and safety pin when attaching to the Tractor.
- Follow all operating instructions in your Tractors Owners manual.
- Never operate the tractor without properly securing the load.
- Never exceed the tractor hitch or transmission draw capacity.
- Always engage tractor clutch slowly and smoothly.

ASSEMBLY INSTRUCTION

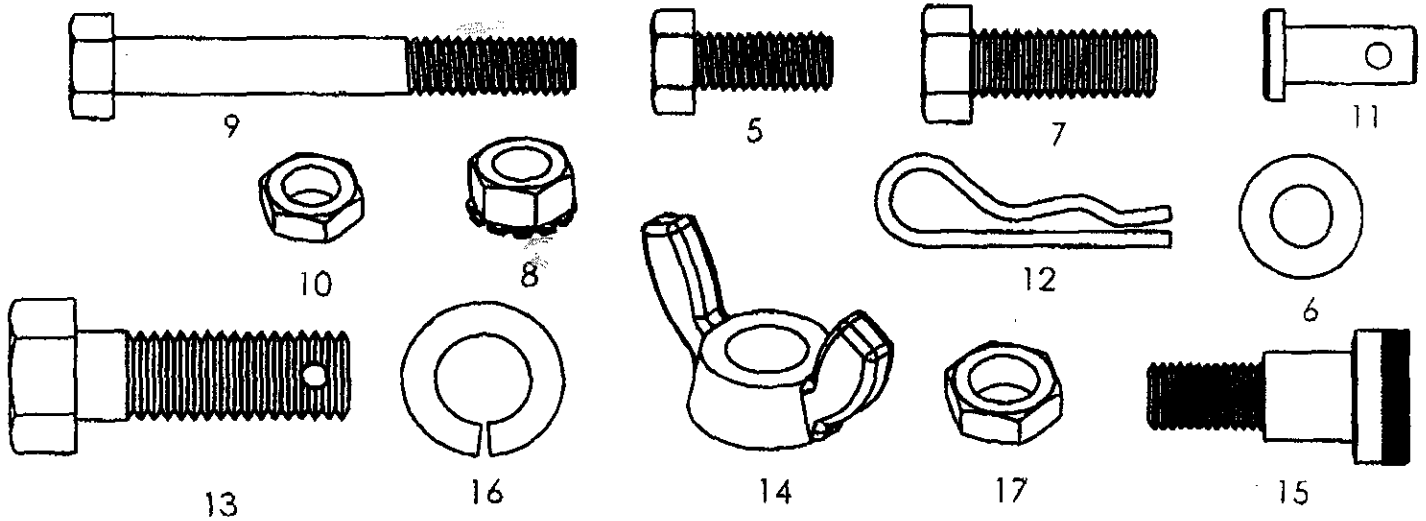
- Before beginning to assemble, layout and identify all parts and hardware.
- Read all assembly instructions, pages 4 - 9 before beginning to assemble unit.
- Some assembly may require two people.

CAUTION: BEFORE USE COMPLETELY READ THE OWNERS MANUAL FOR PROPER ASSEMBLY AND USE; FAILURE TO FOLLOW SAFETY PRECAUTIONS MAY RESULT IN SERIOUS INJURY.



Carton Contents

Ref. No.	Qty.	Description	Ref. No.	Qty.	Description
1	1	Deck	19	2	Bungee Straps
2	2	Deck Support Arms	BB	1	Bolt Bag - not shown
3	2	Side Plate	INST	1	Assembly Manual - not shown
4	1	Tractor Mount Plate	DECAL	1	Warning Decal - not shown
18	1	Shoulder Bolt Plate			



Bolt Bag Contents

Ref. No.	Qty.	Description	Ref. No.	Qty.	Description
5	8	5/16" x 3/4" hex head bolt	12	2	hair pin
6	4	5/16" flat washer	13	1	1/2" x 1 1/2" hex bolt with hole
7	2	3/8" x 1" hex head bolt	14	1	1/2" wing nut
8	8	5/16" keps nut	15	2	1/2" shoulder bolt 3/8-16 thread
9	2	5/16" x 2 1/2" hex head bolt	16	1	1/2" split lock washer
10	2	5/16" lock nut	17	4	3/8" lock nut
11	1	5/16" x 3/4" clevis pin			

1.

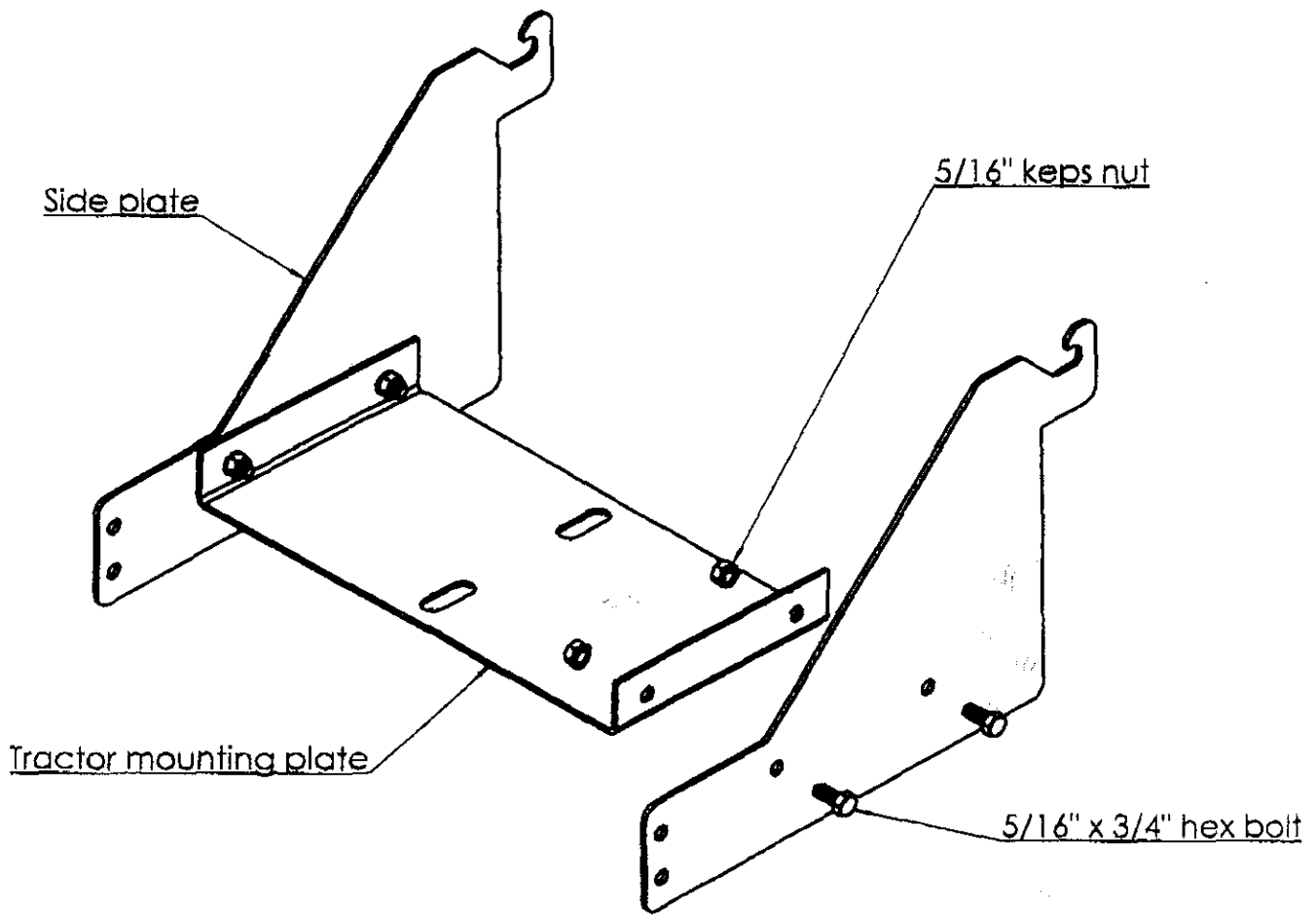


Figure 1.

1. Attach side plates (3), finger tight to tractor mounting plate (4), as shown, with four 5/16" x 3/4" hex head bolts (5), and four keps nuts (8).
2. Bolts will be tightened in a later step after attached to tractor.

THIS STEP REQUIRES



(4) - 5/16" x 3/4" hex head bolt

(4) - 5/16" keps nut

2.

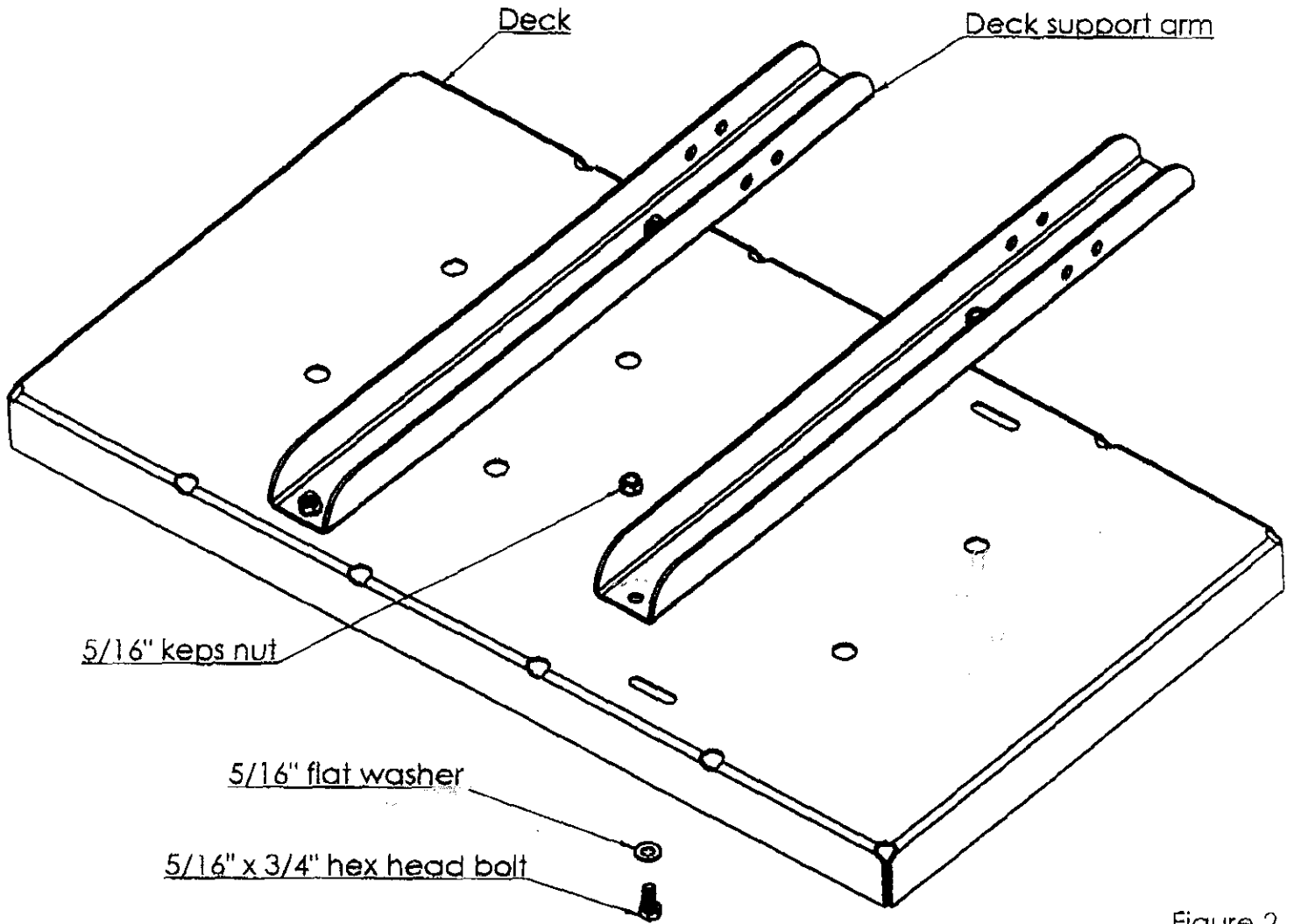
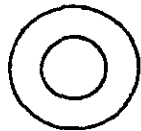
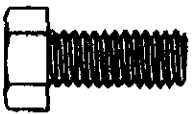


Figure 2.

1. Loosely add tray support arms (2), to deck (1), using four 5/16" x 3/4" hex head bolts (5), 5/16" flat washers (6), and 5/16" keps nuts (8).
2. Bolts will be tightened in a later step.

THIS STEP REQUIRES



- (4) - 5/16" x 3/4" hex head bolts
- (4) - 5/16" flat washers
- (4) - 5/16" keps nut

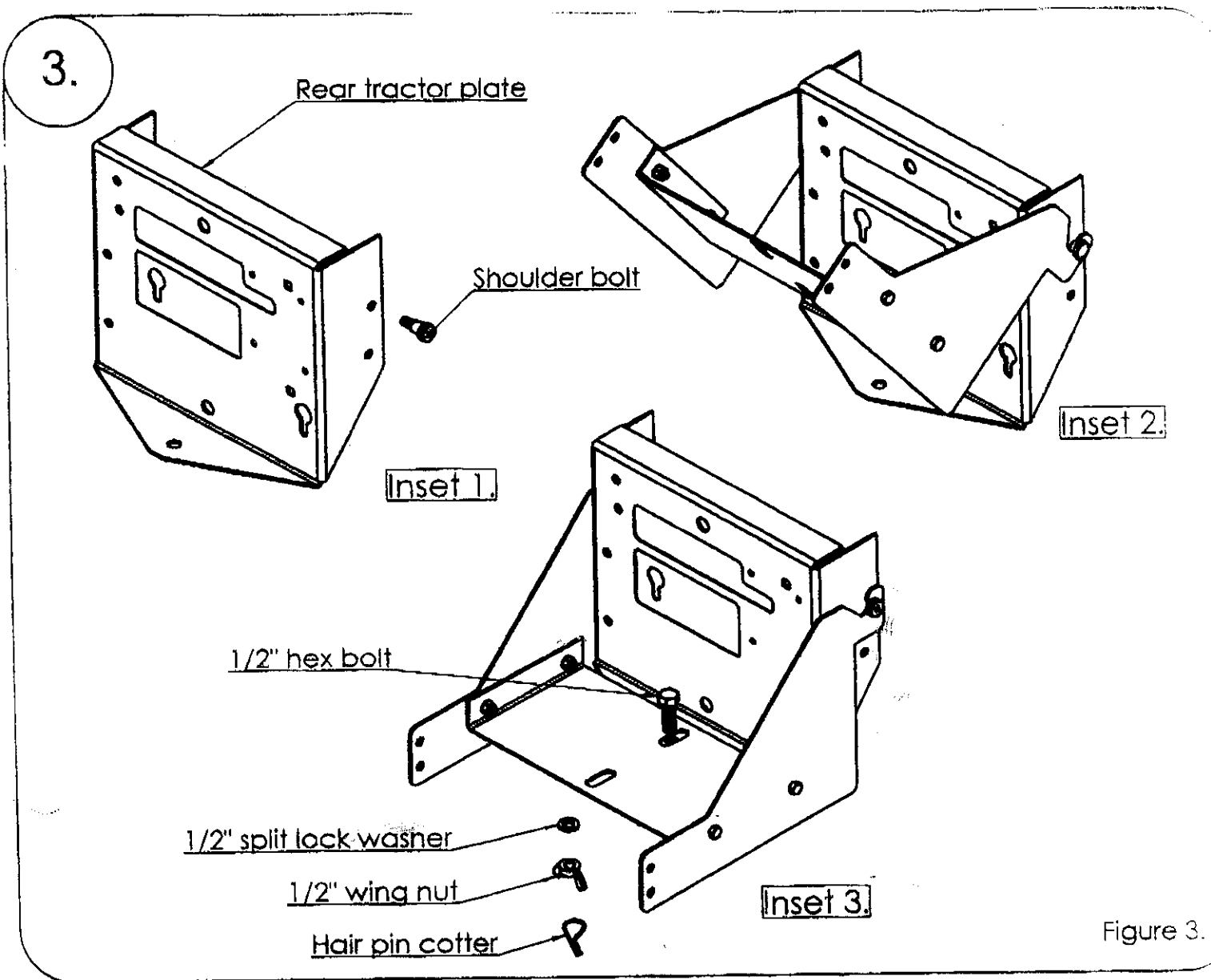


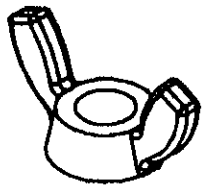

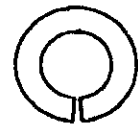


Figure 3.

FOR VERTICAL BACK TRACTORS

1. If required, remove hex bolt and replace with shoulder bolt (15), supplied, as shown in inset 1.
2. See Inset 2, slide deck holder assembly over shoulder bolts, as shown and lock in place with 1/2" hex bolt (13), lock washer (16), wing nut (14), and hair pin (12), see Inset 3.
3. Make sure all bolts are tight at this time.

THIS STEP REQUIRES

			(2) - 3/8" x 5/8" Shoulder bolt (1) - 1/2" x 1 1/2" hex bolt w/hole (1) - 1/2" split lock washer (1) - 1/2" wing nut (1) - hair pin cotter
			

4.

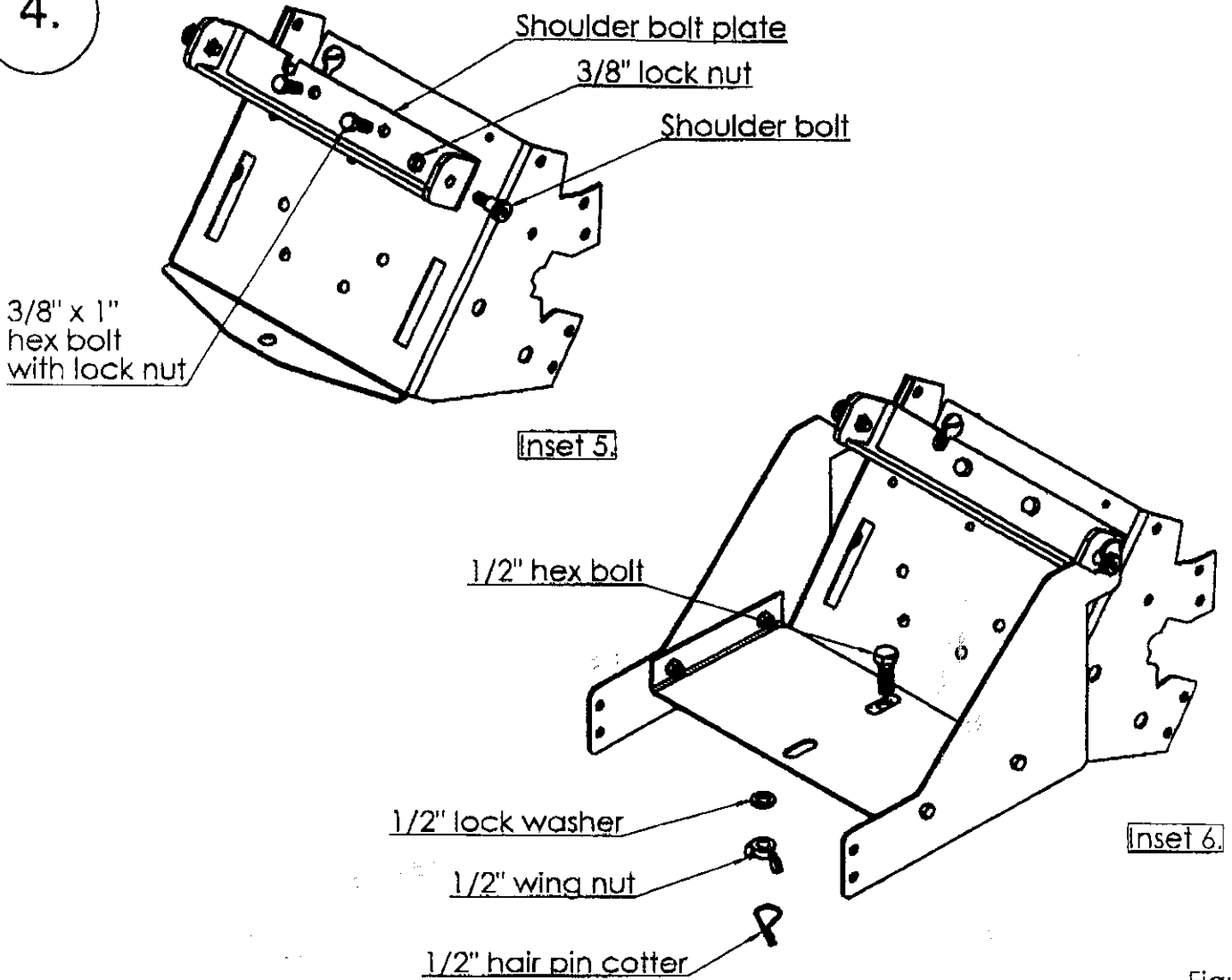
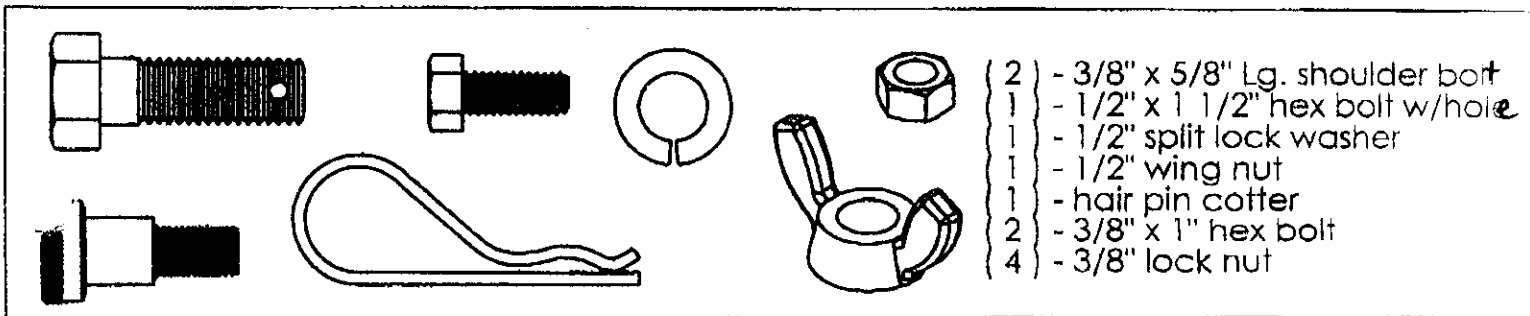


Figure 4.

FOR SLANT BACK TRACTORS.

1. Add shoulder bolt plate (18) with two 3/8" x 1" hex bolts (7), and 3/8 locknut (17) in rear tractor plate as shown in Inset 5.
2. Add shoulder bolts (15) to shoulder bolt plates and lock in place with 3/8" lock nut (17).
3. See Inset 6. slide deck holder assembly over shoulder bolts as shown and lock in place with 1/2" hex bolt (13), lock washer (16), wing nut (14) and hair pin cotter (14).

THIS STEP REQUIRES



5.

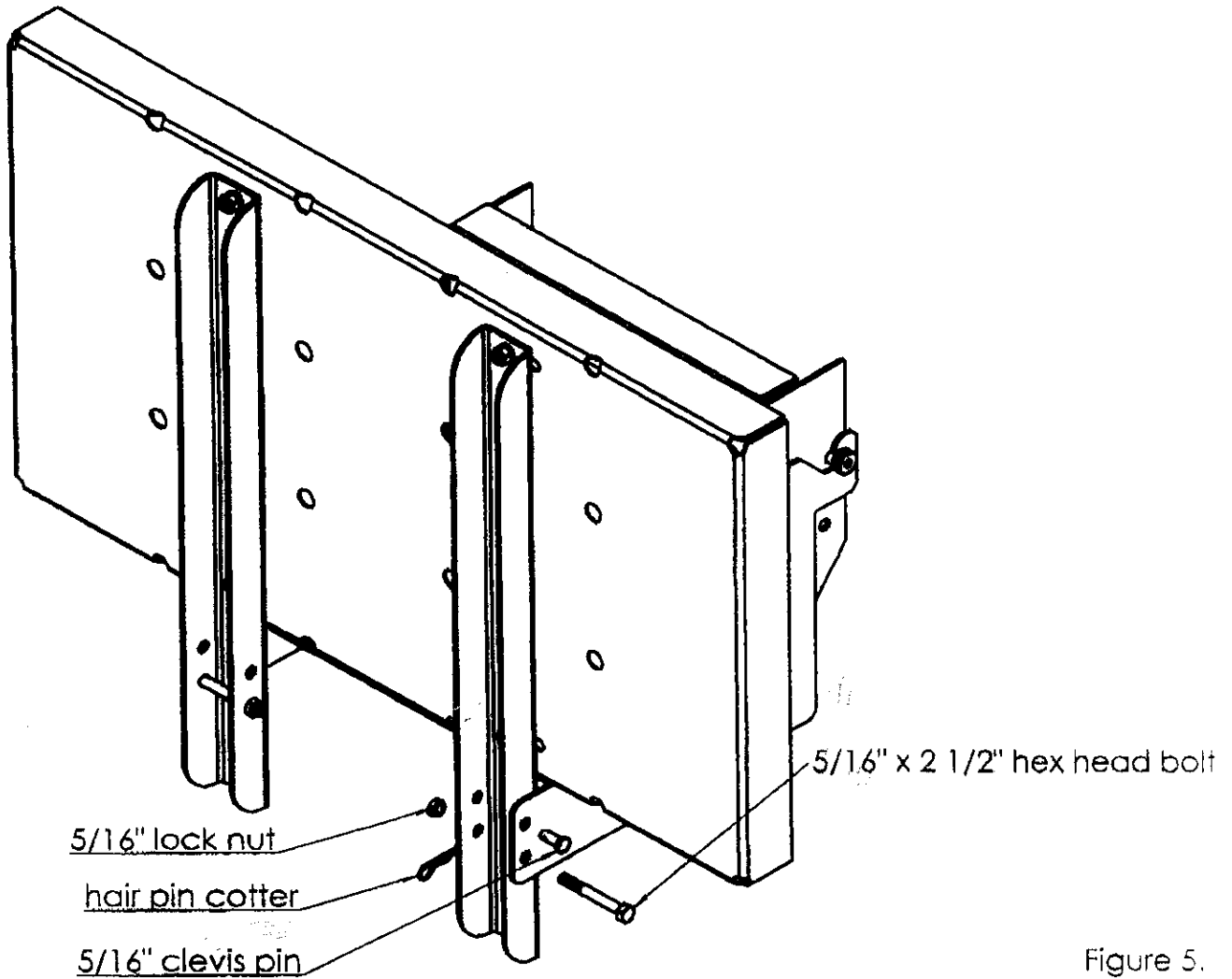
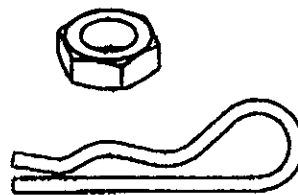
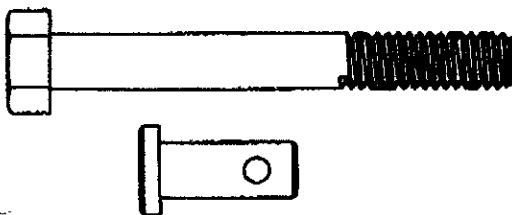


Figure 5.

This step may require two people.

1. Add deck assembly to side bracket assembly, as shown, with two 5/16" x 2 1/2" hex head bolts (9), and 5/16" lock nuts (10) making sure tray is able to pivot in the upright position.
2. With deck assembly in the down position, square deck and tighten all bolts previously left loose.
3. Pin deck in the upright position with the 5/16" clevis pin (11) and hair pin cotter (12) when unit is not in use.

THIS STEP REQUIRES



- (2) - 5/16" x 2 1/2" hex head bolts
- (2) - 5/16" lock nuts
- (1) - 5/16" clevis pin
- (1) - hair pin cotter

6.

To remove deck

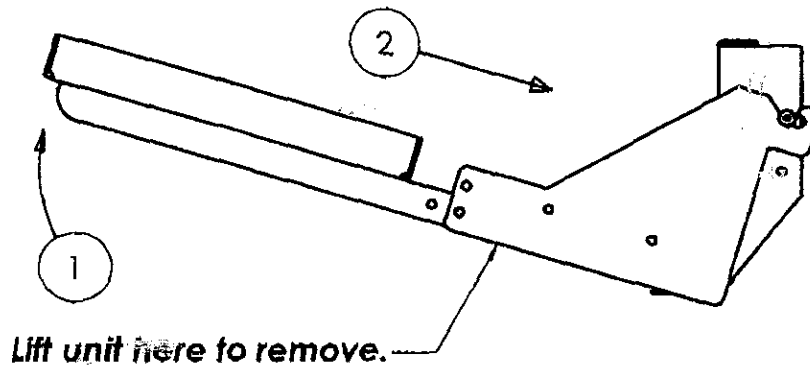
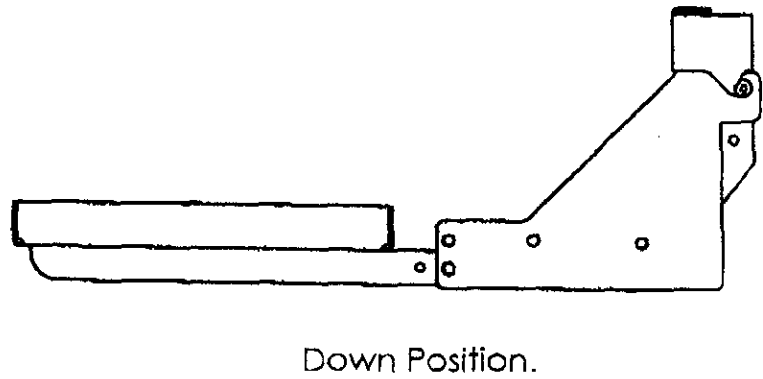
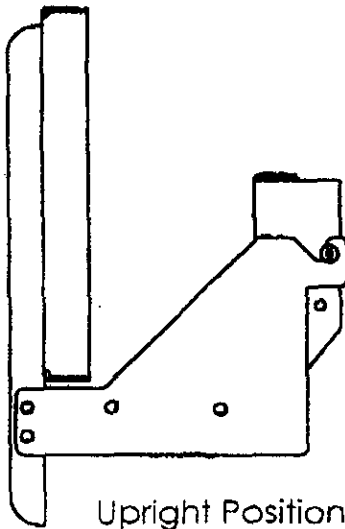
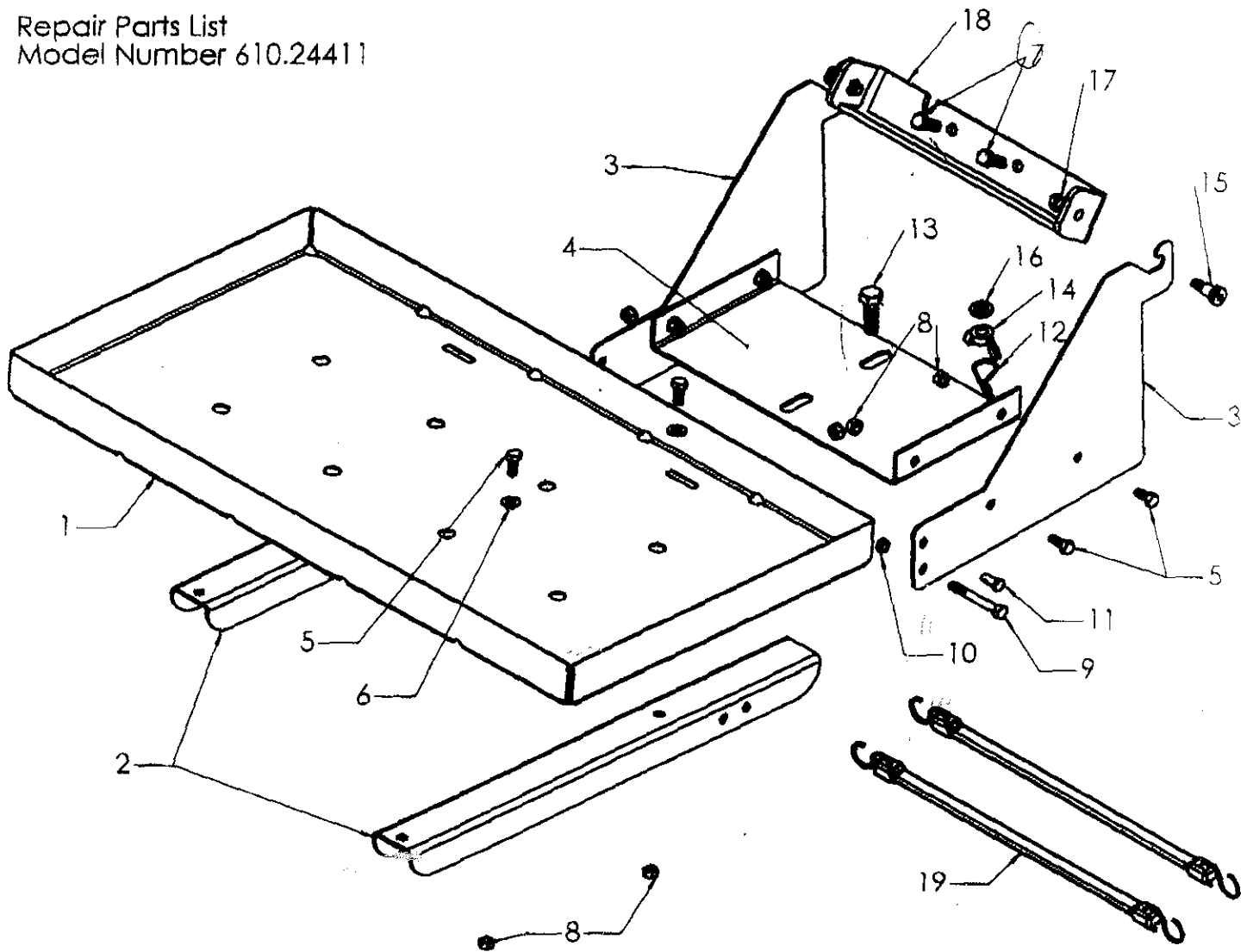


Figure 6.

1. To remove Load n' Go assembly from tractor, remove hair pin cotter, 1/2" wing nut, and 1/2" bolt from tractor mounting plate.
2. Grasping side plates, lift assembly away from tractor (see #1) and slide off of shoulder bolts (see #2).
3. Re-insert 1/2" bolt, lock washer, wing nut, and hairpin cotter into tractor mounting plate.

Notes

Repair Parts List
Model Number 610.24411



Repair Parts List

Ref. No.	Part No.	Amt.	Description	Ref. No.	Part No.	Amt.	Description
1	24411-1	1	Deck	12	STD624007	2	hair pin cotter
2	24411-2	2	Deck Support Arm	13	24411-13	1	1/2"-13 x 1 1/2" hex bolt
3	24411-3	2	Side Plate	14	24411-14	1	1/2"-13 wing nut
4	24411-4	1	Tractor Mount Plate	15	24411-15	2	1/2" shoulder bolt
5	STD523107	8	5/16" x 3/4" hex bolt	16	STD551150	1	1/2" split lock washer
6	STD551031	4	5/16" flat washer	17	STD541437	4	3/8" lock nut
7	STD523710	2	3/8" x 1" hex bolt	18	24411-18	1	shoulder bolt plate
8	STD541031	8	5/16" keps nut	19	24411-19	2	bungee straps
9	STD523125	2	5/16" x 2 1/2" hex bolt	BB	24411-BB	1	bolt bag
10	STD541231	2	5/16" lock nut	INST	24411-INST	1	assembly manual
11	24411-11	1	5/16" x 3/4" clevis pin	DECAL	24411-DECAL	1	warning decal

WARRANTY

FULL ONE-YEAR WARRANTY

If this product fails due to a defect in material or workmanship within one year from the date of purchase, Sears will at its option repair or replace it free of charge.

This warranty does not cover:

- Repairs necessary because of operator abuse or negligence.
- Equipment use for commercial or rental purposes.

Contact your nearest Sears Service Center to arrange for product repair, or return this product to place of purchase for replacement.

This warranty gives you specific legal rights, and you may also have other rights which vary from state to state. This Warranty applies only while this product is in use in the United States.

Sears, Roebuck and Co., Dept. 817WA, Hoffman Estates, IL 60179

PRODUCT RECORD

In the space below record the model number and purchase date of your unit.

Model Number - _____

Purchase Date - _____

Keep this booklet and your Sears receipt in a safe place for future reference.

ORDERING INFORMATION

Always mention the Model Number when requesting service or repair parts. All parts listed herein may be ordered from any Sears Service Center and most Sears Stores.

When ordering Repair Parts, Always give the Following information:

Product - LOAD n' GO - UTILITY DECK

Model Number - 610.24411

Part Number - * _____

Part Description - * _____

* Found on the Repair Parts List. Reference page 10.

Notes

Get it fixed, at your home or ours!

For repair of major brand appliances in your own home...

no matter who made it, no matter who sold it!

1-800-4-MY-HOMESM Anytime, day or night

(1-800-469-4663)

www.sears.com

For repair of carry-in products like vacuums, lawn equipment, and electronics,
call for the location of your nearest **Sears Parts & Repair Center**.

1-800-488-1222 Anytime, day or night

www.sears.com

For the replacement parts, accessories and owner's manuals
that you need to do-it-yourself, call **Sears PartsDirectSM**!

1-800-366-PART 6 a.m. - 11 p.m. CST,

(1-800-366-7278) 7 days a week

www.sears.com/partsdirect

To purchase or inquire about a Sears Service Agreement:

1-800-827-6655

7 a.m. - 5 p.m. CST, Mon. - Sat.

Para pedir servicio de reparación a domicilio,
y para ordenar piezas con entrega a domicilio:

1-888-SU-HOGARSM

(1-888-784-6427)

Au Canada pour service en français:

1-877-LE-FOYERSM

