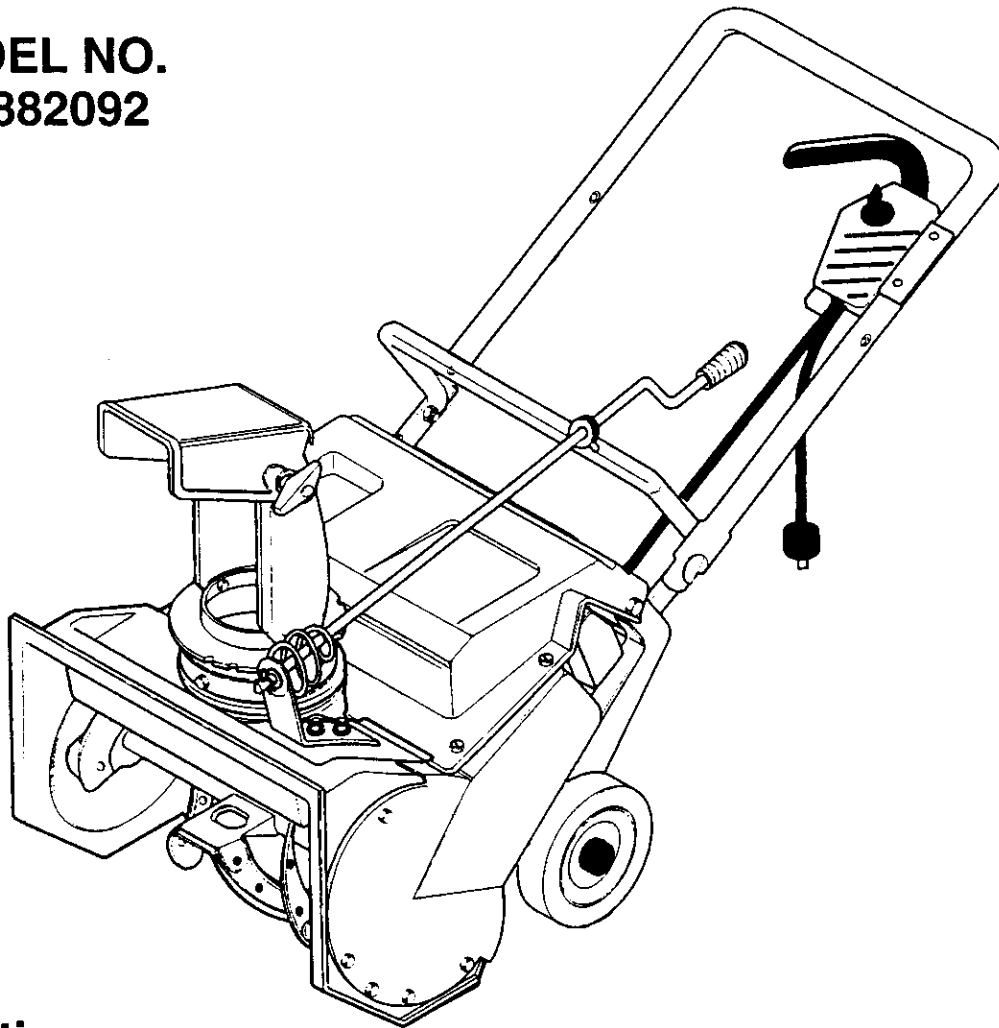




**120 V.A.C. 12 AMP. 60 Hz.
Double Insulated
20" Clearing Width
ELECTRIC SNOW THROWER**

**MODEL NO.
536.882092**



Caution:

**Read and follow all Safety Rules
and Operating Instructions before
first use of this product.**

SEARS, ROEBUCK AND CO., Hoffman Estates, IL 60179 U.S.A.

F-001126M

SAFETY

ASSEMBLY

OPERATION

MAINTENANCE

PARTS LIST

ESPOÑOL

TABLE OF CONTENTS

WARRANTY STATEMENT	2	SERVICE AND ADJUSTMENT ..	12
SAFETY RULES	3	REPAIR PARTS	16
ASSEMBLY	5	SPANISH (ESPAÑOL)	25
OPERATION	7	PARTS ORDERING/SERVICE ..	40
MAINTENANCE	11		

WARRANTY STATEMENT

LIMITED ONE-YEAR WARRANTY ON CRAFTSMAN SNOW THROWER

For one year from the date of purchase, when this Craftsman Snow thrower is maintained, lubricated, and tuned up according to the operating and maintenance instructions in the owner's manual, Sears will repair, free of charge, any defect in material or workmanship.

If this Craftsman Snow thrower is used for commercial or rental purposes, this warranty applies for only 90 days from the date of purchase.

This warranty does not cover the following:

- Items which become worn during normal use such as drive belts and shear pins.
- Repair necessary because of operator abuse or negligence, including bent crankshafts and the failure to maintain the equipment according to the instructions contained in the owner's manual.

WARRANTY SERVICE IS AVAILABLE BY RETURNING THE CRAFTSMAN SNOW THROWER TO THE NEAREST SEARS SERVICE CENTER/DEPARTMENT IN THE UNITED STATES. THIS WARRANTY APPLIES ONLY WHILE THIS PRODUCT IS IN USE IN THE UNITED STATES.

This warranty gives you specific legal rights, and you may also have other rights which may vary from state to state.

Sears, Roebuck and Co., D817WA, Hoffman Estates. IL 60179

GENERAL RECOMMENDATIONS

The warranty on this snow thrower does not cover items that have been subjected to operator abuse or negligence. To receive full value from the warranty, the operator must maintain the snow thrower as instructed in this manual. Some adjustments will need to be made periodically to properly maintain your snow thrower.

All adjustments in the **Service and Adjustments** section of this manual must be checked at least once each season.

PRODUCT SPECIFICATIONS

Motor:	120 V.A.C., 12amps, 60Hz
Clearing Width:	20 inches
Clearing Height:	8 inches

SAFETY RULES



WARNING: Look for this symbol to point out important safety precautions. It means: "Attention! Become Alert! Your Safety Is Involved."



WARNING: Always disconnect power cord to prevent accidental starting when setting-up, transporting, adjusting or making repairs.

IMPORTANT: Safety standards require operator presence controls to minimize the risk of injury. Your snow thrower is equipped with such controls. Do not attempt to defeat the function of the operator presence control under any circumstances.

BEFORE USE

1. Read the owner's manual carefully. Be thoroughly familiar with the controls and the proper use of the snow thrower. Know how to stop the snow thrower and disengage the controls quickly.
2. Do not operate the snow thrower without wearing adequate outer garments. Wear footwear that will improve footing on slippery surfaces.
3. Keep the area of operation clear of all persons, particularly small children and pets.
4. Thoroughly inspect the area where the snow thrower is to be used and remove all doormats, sleds, boards, wires, and other foreign objects.
5. Use extension cords and receptacles as specified by the manufacturer for all snow throwers with electric drive motors or with factory-installed or optional starting motors.
6. Use only attachments and accessories approved by the manufacturer of the snow thrower. No attachments are recommended for use with this unit. Any such use might increase the risk of injury to the operator.
7. Never operate the snow thrower without good visibility or light. Always be sure of your footing, and keep a firm hold on the handles. Walk; never run.
8. This snow thrower is for use on sidewalks, driveways, and other ground level surfaces. **CAUTION:** should be exercised while using on steep sloping surfaces. **DO NOT USE SNOW THROWER ON SURFACES ABOVE GROUND LEVEL** such as roofs of residences, garages, porches or other such structures or buildings.
9. Check shear bolts and other bolts frequently for proper tightness to be sure the snow thrower is in safe working condition.
10. Let engine and snow thrower adjust to outdoor temperatures before starting to clear snow.



WARNING: The motor is equipped with a protector that will disconnect power to the motor temporarily if the snow thrower is overworked, and will automatically reset as the motor cools. If the motor stops, release the control bar, disconnect the extension cord and allow the motor to cool 5 minutes before continuing operation.

OPERATING SAFETY

1. Never allow children or young teenagers to operate the snow thrower. Keep them away while it is operating. Never allow adults to operate the snow thrower without proper instruction.
2. Do not operate this machine if you are taking drugs or other medication which can cause drowsiness or affect your ability to operate this machine.
3. Do not use this machine if you are mentally or physically unable to operate this machine safely.
4. Always wear safety glasses or eye shields during operation or while performing an adjustment or repair to protect your eyes from foreign objects that may be thrown from the snow thrower.
5. Always dress properly. Do not wear loose clothing or jewelry. They can be caught in moving parts.
6. Do not put hands or feet near or under rotating parts. Keep clear of the discharge opening at all times.
7. Exercise extreme caution when operating on or crossing gravel drives, walks, or roads to avoid slipping or falling, especially when operating in reverse or backing up. Stay alert for hidden hazards or traffic.
8. Do not clear snow across the face of slopes. Exercise caution when changing direction on slopes. Do not attempt to clear steep slopes.
9. Never operate the snow thrower without proper guards, plates, or other safety protective devices in place.
10. Operation of the snow thrower in the hand hold position is unsafe, except in accor-

dance with the special instructions for such use provided in this manual.

11. Never operate the snow thrower near glass enclosures, automobiles, window wells, drop-offs, and the like without proper adjustment of the snow discharge angle. Keep children and pets away.
12. Never operate the snow thrower on gravelled surface unless the snow thrower is adjusted for such a surface in accordance with this manual. See Operating Tips in the Operation section of this manual.
13. Never operate the snow thrower at high transport speeds on slippery surfaces. Look behind and use care when backing.
14. Never direct discharge at bystanders or allow anyone in front of the snow thrower.
15. Take all possible precautions when leaving the snow thrower unattended. Disengage the auger/impeller, and remove key.
16. To prevent accidental starting do not carry plugged-in snow thrower with finger on switch. Be sure switch is off when plugging in.
17. If cord is damaged in any manner while plugged in, pull extension cord from wall receptacle.
18. Do not abuse cord. Never carry snow thrower by cord or yank it to disconnect from receptacle. Keep cord from heat, oil, and sharp edges.
19. Do not overload the machine capacity by attempting to clear snow at too fast a rate.
20. Do not force snow thrower. It will perform better and safer at the rate for which it was designed.
21. Do not over reach. Keep proper footing and balance at all times.



WARNING: To prevent electric shock, use U.L. listed two conductor extension cord suitable for outdoor use in cold weather. Extension cord should be no longer than 100 feet. See chart in Operation section for recommended extension cords.

22. To prevent accidental disconnection of extension cord from control switch during operation, loop extension cord through strain relief clip on control switch as

shown in the assembly section of this manual.

REPAIR/ADJUSTMENTS SAFETY

1. After striking a foreign object, stop the engine (motor), disconnect the cord on electric motors, thoroughly inspect the snow thrower for any damage, and repair the damage before restarting and operating the snow thrower.
2. If snow thrower should start to vibrate abnormally, stop engine (motor) and check immediately for the cause. Vibration is generally a warning of trouble.
3. Stop the engine (motor) whenever you leave the operating position. Also, disconnect the power cord before unclogging the auger/impeller housing or discharge chute, and when making any repairs, adjustments, or inspections to prevent accidental starting.
4. When cleaning, repairing, or inspecting, make certain the auger/impeller and all moving parts have stopped. Disconnect the power cord for service.
5. Never attempt to make any adjustments while the engine (motor) is running (except when specifically recommended by the manufacturer).
6. Maintain or replace safety and instruction labels, as necessary.
7. When servicing, use only identical replacement parts. Replace or repair damaged cords.
8. Maintain snow throwers with care. Follow instructions and changing accessories.
9. Run the snow thrower a few minutes after throwing snow to prevent freeze-up of the auger/impeller.

SAFE STORAGE

1. Always refer to the owner's manual instructions for important details if the snow thrower is to be stored for an extended period.
2. Store snow thrower indoors when not in use. Snow throwers should be stored indoors in a dry, locked-up place out of reach of children.



IMPORTANT
Read Owner's Manual
Before Operating
This Machine.



DANGER
Avoid Injury From Rotating
Auger. Keep Hands, Feet
And Clothing Away.



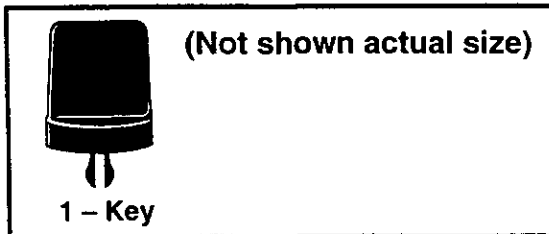
DANGER
Stop The Engine
Before Unclogging
Discharge Chute!

ASSEMBLY

ASSEMBLY

CONTENTS OF PARTS BAG

- 1 – Owner's Manual
- 1 – Warranty Card
- 1 – Parts Bag



WARNING: Always wear safety glasses or eye shields while assembling snow thrower.

TOOLS REQUIRED FOR ASSEMBLY

- 1 – Knife to cut carton.
- 1 – Pliers

The figure below shows the snow thrower completely assembled.

References to the right or left hand side of the snow thrower are from the viewpoint of the operator's position behind the unit.

TO REMOVE SNOW THROWER FROM CARTON

1. Remove the inserts positioned around the unit and the packing material.
2. Cut down all four corners of the carton and lay the panels flat.
3. Pull snow thrower out of the carton.

TO ASSEMBLE THE HANDLE

1. Remove wrap on upper handle and along the side of both handles. Discard wrap.
2. Loosen the tee knobs on each side of the upper handle.
3. Raise the upper handle to the operating position as shown in Figure 1. Hold upper

handle apart to prevent scratching lower handle.

NOTE: Make sure the control switch cord and pigtail are not caught between upper and lower handle.

4. Tighten the tee knobs. Make sure pigtail is free from the control switch cord.

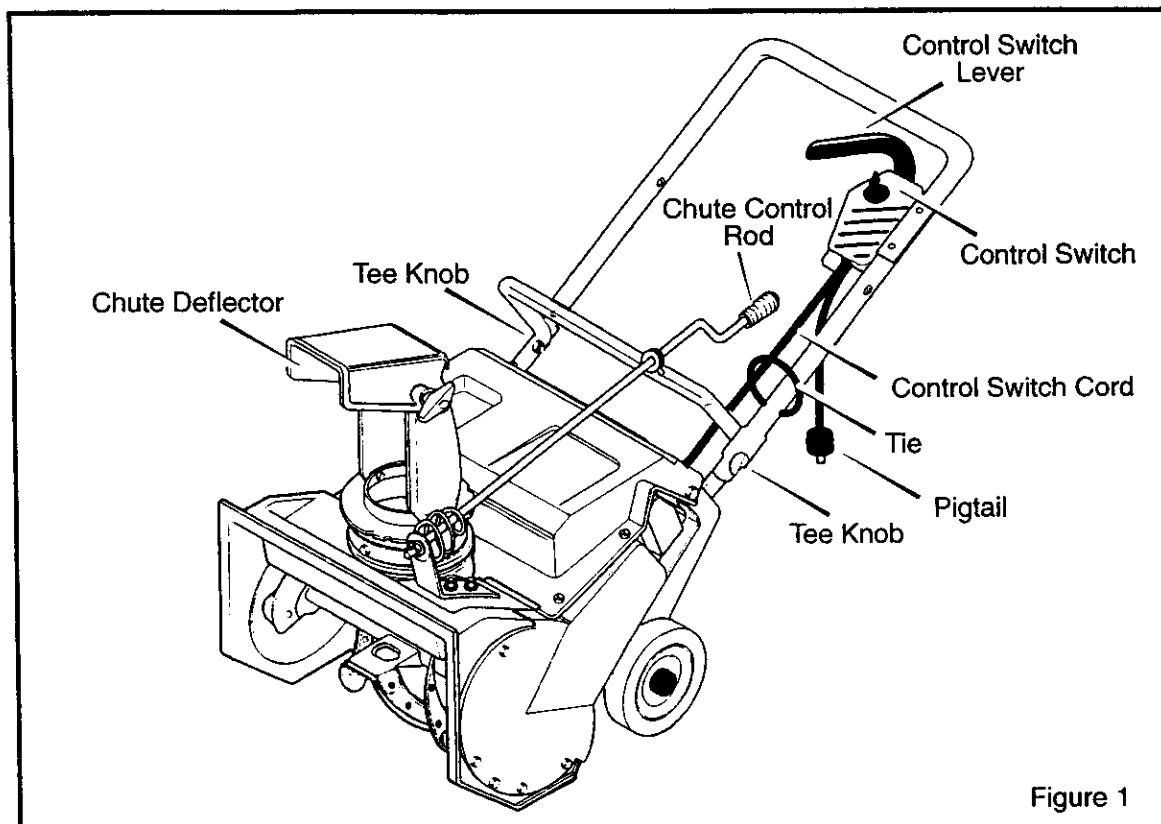
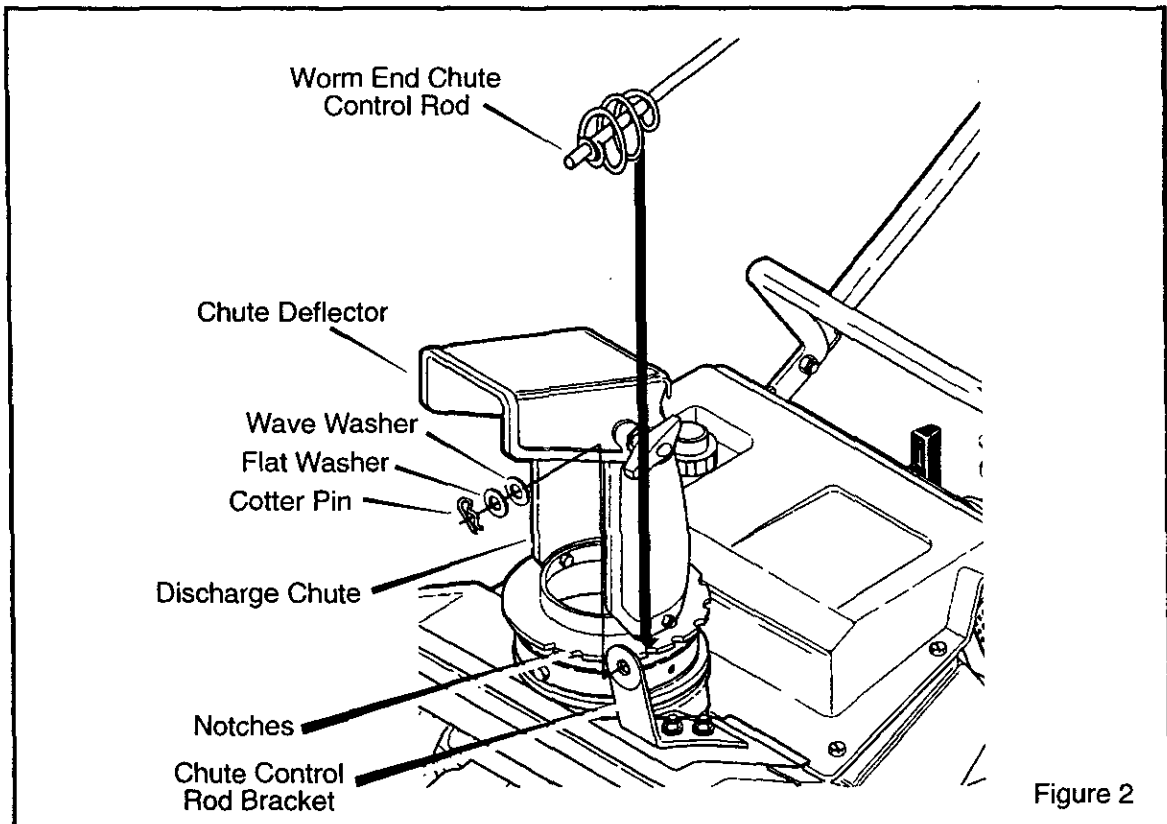


Figure 1

ASSEMBLY

TO ASSEMBLE THE CHUTE CONTROL ROD

1. Cut tie holding chute control rod to bracket.
2. Remove plastic bag from chute control rod.
3. Remove cotter pin, flat washer and wave washer from the worm end of chute control rod and set aside (see Figure 2).
4. Insert the worm end of the chute control rod through the hole in the chute control rod bracket while inserting the worm into the notches in the discharge chute rotation ring.
5. Place wave washer and flat washer onto worm end of chute control rod.
6. Place cotter pin through worm end of chute control rod.
7. Bend cotter pin to secure.
8. Rotate the chute control rod fully clockwise and counterclockwise. The discharge chute should rotate freely without binding.



✓ CHECKLIST

Before you operate your new snow thrower, to ensure that you receive the best performance and satisfaction from this quality product, please review the following checklist:

- ✓ All assembly instructions have been completed.
- ✓ The discharge chute rotates freely.
- ✓ No remaining loose parts in carton.

While learning how to use your snow thrower, pay extra attention to the following important items:

- ✓ Use a U.L. listed two conductor extension cord suitable for outdoor use in cold weather.
- ✓ Become familiar with all controls—their location and function. Operate controls before starting motor.

OPERATION

KNOW YOUR SNOW THROWER

READ THIS OWNER'S MANUAL AND SAFETY RULES BEFORE OPERATING YOUR SNOW THROWER. Compare the illustrations with your SNOW THROWER to familiarize yourself with the location of various controls and adjustments. Save this manual for future reference.

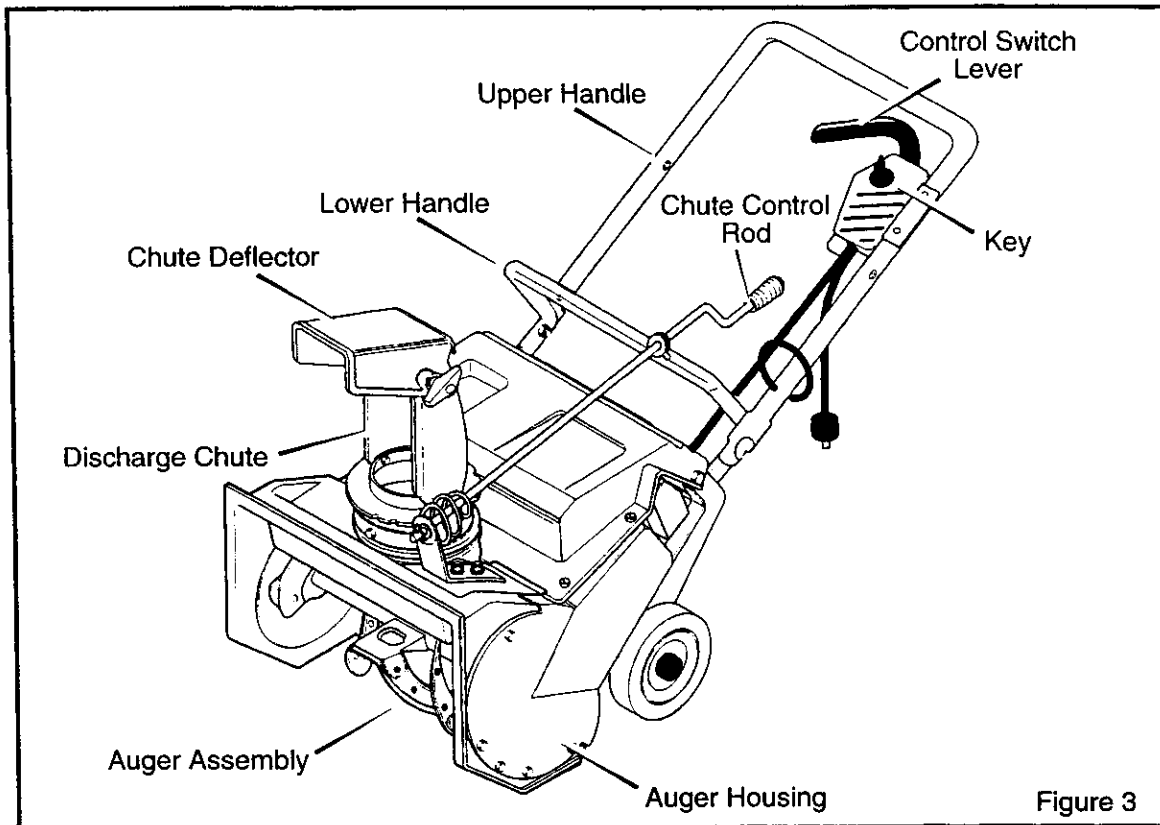


Figure 3

Chute Control Rod – Changes the direction of snow discharge.

Chute Deflector – Changes the distance the snow is thrown.

Discharge Chute – Changes the direction the snow is thrown.

Ignition Switch Key – Must be inserted and turned to the “UNLOCK” position to start the motor.

Control Switch Lever – Used to start and stop motor.

HOW TO USE THE SNOW THROWER

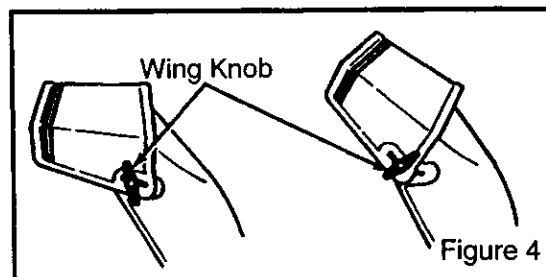
TO STOP THE SNOWTHROWER

To stop the auger or motor, release the control switch lever.

TO CONTROL SNOW DISCHARGE

1. Turn the chute control rod to set the direction of the snow throwing.
2. Loosen the wing knob on the chute deflector and move the deflector to set the distance. Move the deflector up for more

distance or down for less distance. Then, tighten the wing knob (See Figure 4).



OPERATION

TO USE AUGER PROPEL ACTION

1. Squeeze the control switch lever down against the upper handle to allow the auger to turn.

2. To propel forward, raise the handle to allow the auger blades to contact the ground (See Figure 5).

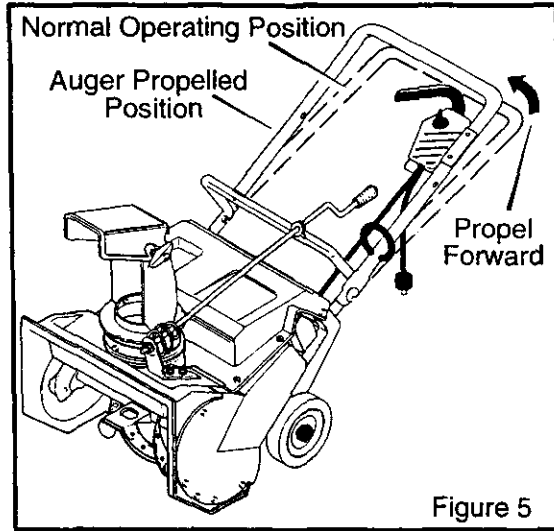


Figure 5



WARNING: The motor is equipped with a protector that will disconnect power to the motor temporarily if the snow thrower is overworked, and will automatically reset as the motor cools. If the motor stops, release the control bar, disconnect the extension cord and allow the motor to cool five minutes before continuing operation.

TO START SNOW THROWER

IMPORTANT: Use a U.L. listed two conductor extension cord suitable for outdoor use in cold weather. Extension cord should be no longer than 100 feet. Extension cords are available at a Sears Service Center. Sears extension cord NO. 83609 is recommended or use one of the extension cords in the following chart.

cordance with local codes and inspection authorities.

To start snow thrower operation, proceed as follows:

1. To prevent accidental disconnection of extension cord from control switch during operation, loop extension cord through strain relief clip on control switch (see Figure 6).
2. Snap strain relief clip down over loop of extension cord (see Figure 6). Connect extension cord to power plug on control switch.

RECOMMENDED EXTENSION CORDS

MINIMUM GAGE FOR CORDS SETS				
	Volts	Length of Cord in Feet		
	120V	25ft.	50ft.	100ft.
Ampere rating more than	not more than	AWG		
0	6	18	16	16
6	10	18	16	14
10	12	16	16	14
12	13	14	12	10

Always connect extension cord to control switch on snow thrower first, then connect the other end to a wall receptacle installed in ac-F-001126M

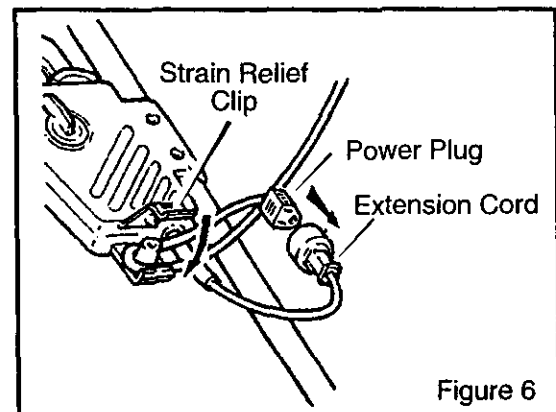
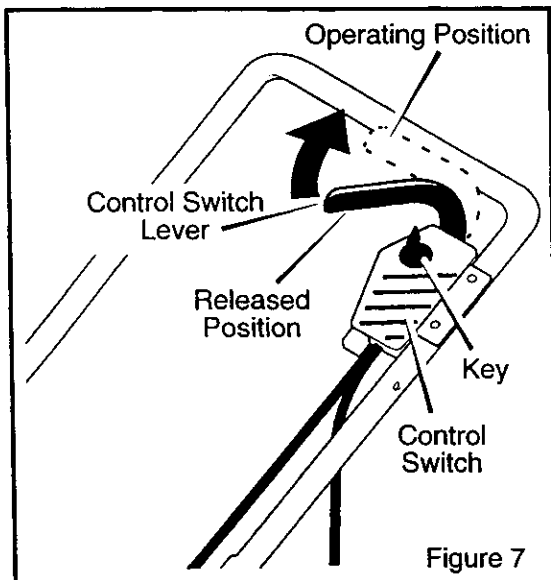


Figure 6

OPERATION

3. To operate snow thrower turn key (clockwise) and hold in UNLOCKED position while pulling control switch lever toward handle. Hold control switch lever and release key (see Figure 7).



NOTE: Keep the second key (found in plastic bag) in a safe place.

4. To stop snow thrower, release lever on upper handle.

TO STOP SNOW THROWER

1. Release control switch lever on upper handle.
2. Disconnect extension cord from wall receptacle first, then from power cord on control switch.
3. Remove key when not in use.



WARNING: If snow thrower frequently trips circuit breaker or blows fuses, DO NOT replace with higher rated fuse without consulting the power company.

SNOW THROWING TIPS

- This snow thrower will propel itself forward when the handle is raised enough to cause the auger blades to contact the ground. The auger will stop when control switch lever is released.
- For most efficient snow throwing, turn the discharge chute deflector to throw snow downwind, and slightly overlap each swath. In light snow take up to a full cut and in heavy snow take less than a full cut.
- The distance snow will be discharged can be adjusted by moving the discharge chute deflector. Raise the deflector for more distance or lower the deflector for less distance.
- In windy conditions, lower the chute deflector to direct discharged snow close to the ground where it is less likely to blow into unwanted areas.
- Keep the area to be cleared free of stones, toys and other foreign objects for safety and to prevent damage to the snow thrower.
- Do not use the auger propelling feature when clearing gravel or crushed rock driveways. Move the handle down to raise the auger slightly.
- The allowable forward speed of the snow thrower is dependent on the depth and weight of the snow. Experience will establish the most effective method of using the snow thrower under different conditions.

DRY AND AVERAGE SNOW

- Snow up to eight inch depth can be removed rapidly and easily by walking at a moderate rate. For snow or drifts of a greater depth you may find it desirable to slow your pace to allow the discharge chute to dispose of the snow as rapidly as the auger receives the snow.
- Plan to have the snow discharged in the direction the wind is blowing.

OPERATION



WARNING: Always stand behind snow thrower (operator's position) when starting motor.

Do Not put hands, feet, hair or loose clothing on near the discharge chute deflector or auger housing while the motor is running.



WARNING: Objects such as gravel, rocks or other debris, if struck by the auger, may be thrown with sufficient force to cause personal injury or property damage.

WET PACKED SNOW

Move slowly into snow of this condition. The greater the depth, the slower you should go. When it appears that the wet, packed snow is causing the auger to slow down and the chute to clog, back off and begin a series of short jabs into the snow. These short back and forth, 4 to 6 inch, jabbing motions will "belch" the snow from the chute.

SNOW BANKS AND DRIFTS

In snow of greater depth than the unit, use the "jabbing" technique described above. Turn the discharge chute away from the snow bank. More time will be required to remove snow of this type than level snow.

MAINTENANCE

CUSTOMER RESPONSIBILITIES

SERVICE RECORDS Fill in dates as you complete regular service.	After First 12 Hours	As Needed	Before Storage	Begin Each Season	SERVICE DATES
Tighten All Screws & Nuts	√	√			
Check Drive Belts				√	
Lubricate Chute Control Flange			√		

GENERAL RECOMMENDATIONS

The warranty on this snow thrower does not cover items that have been subjected to operator abuse or negligence. To receive full value from the warranty, the operator must maintain the snow thrower as instructed in this manual.

Some adjustments will need to be made periodically to properly maintain your snow thrower.

All adjustments in the Service and Adjustments section of this manual should be checked at least once each season.

AFTER FIRST USE

- Check for any loose or damaged parts after each use.

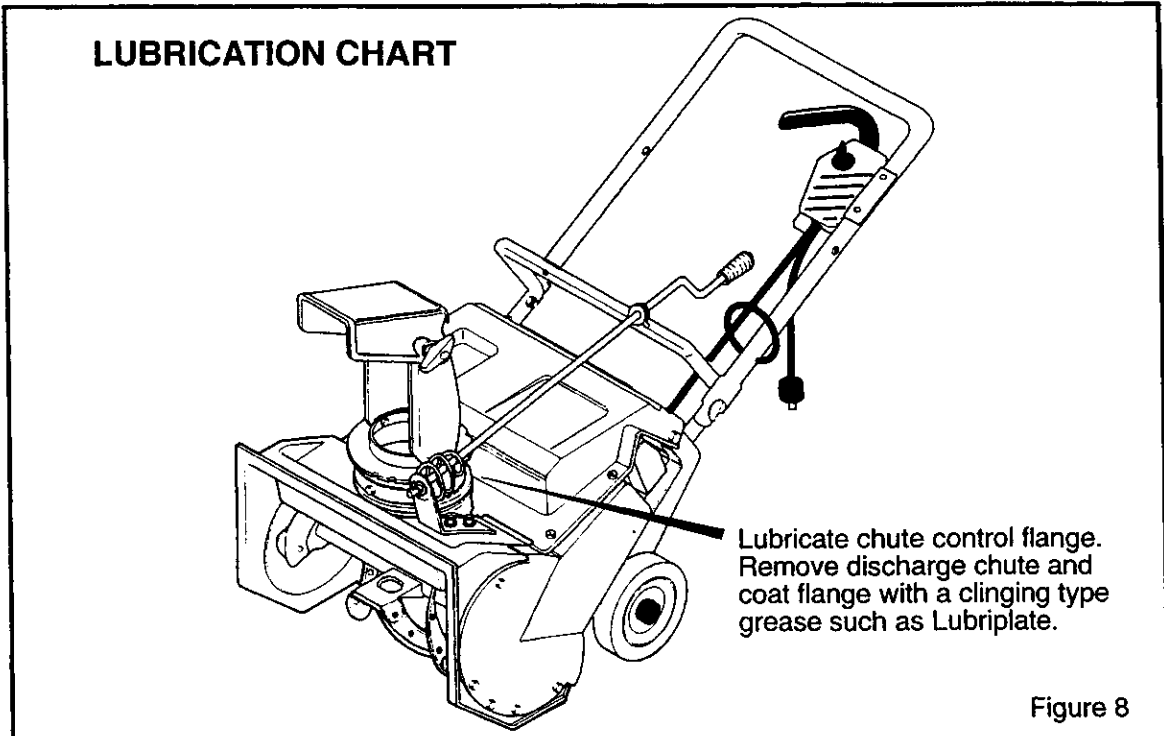
- Tighten any loose fasteners.

AFTER EACH USE

- Run the machine to clear the auger of snow.
- Remove all snow and slush from the snow thrower to prevent freezing of auger or controls.

LUBRICATION – AS REQUIRED

- Lubricate the flange on the discharge chute before storage.
- See Lubrication Chart diagram for lubrication points and type of lubricant.

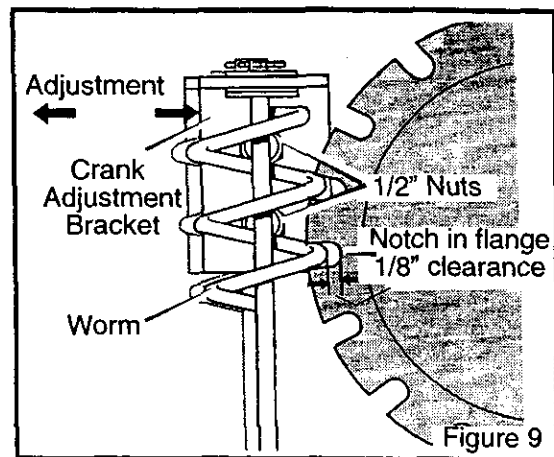


SERVICE AND ADJUSTMENT

TO ADJUST THE CHUTE CRANK ASSEMBLY

If you cannot rotate the chute crank fully to the left and to the right, you need to adjust the chute crank (see Figure 9).

1. Loosen both 1/2" nuts, using 1/2" wrenches, on the crank adjusting bracket.
2. Swivel the crank adjusting bracket to allow 1/8" clearance between the notch in the flange and the outer diameter of the worm.
3. Once this clearance is set, tighten the nuts.

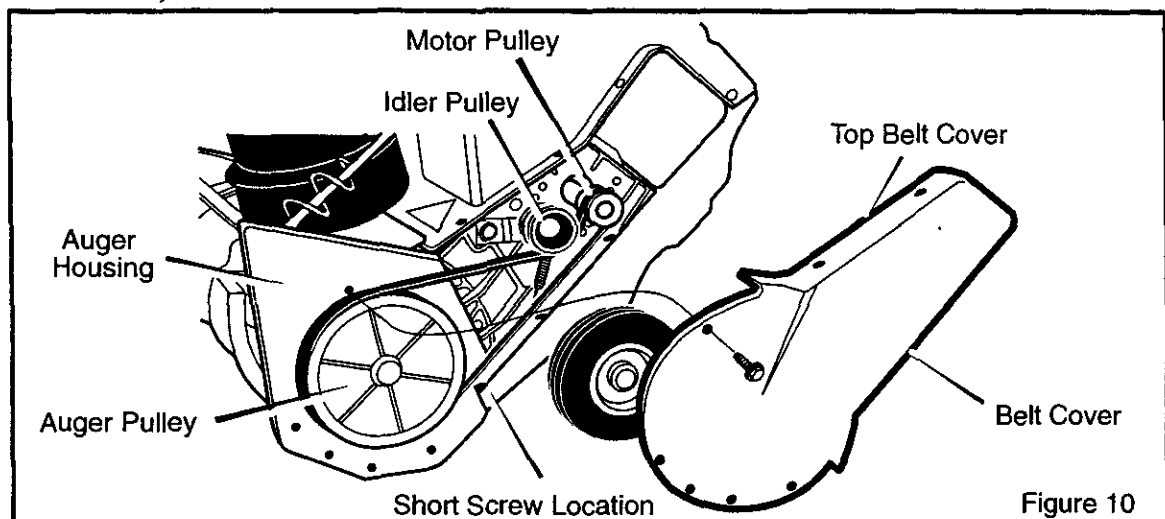


TO REMOVE BELT COVER

1. Remove the belt cover (see Figure 10) by removing the ten screws. There are five screws on the front of the belt cover, two screws on the top of the belt cover, and three screws on the bottom of the belt

cover. The front screw on the bottom of the belt cover is shorter than the rear and top screws).

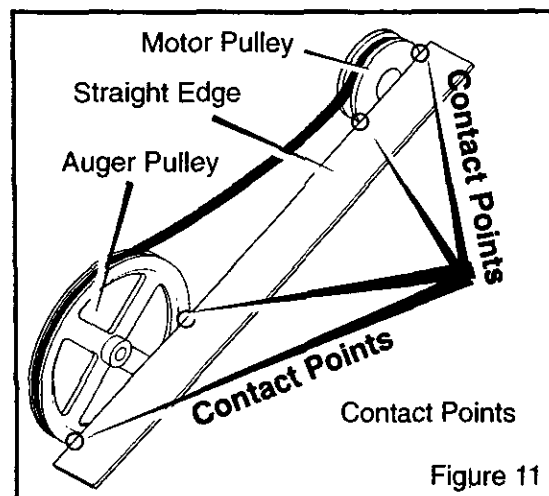
2. Pull the belt cover away from the snow thrower.



TO ADJUST THE DRIVE BELT

If the motor drive pulley and the auger drive pulley are not aligned properly, excessive belt wear will occur. To check the pulley alignment, proceed as follows:

1. Remove the belt cover (see "To Remove Belt Cover").
2. Place a straight edge approximately 16" long across the large auger pulley, contacting two points and extending to the motor pulley (see Figure 11). The outside of the motor pulley must be flush with the straight edge. If the pulleys are aligned, skip to the last step).



SERVICE AND ADJUSTMENT

TO ADJUST THE MOTOR PULLEY

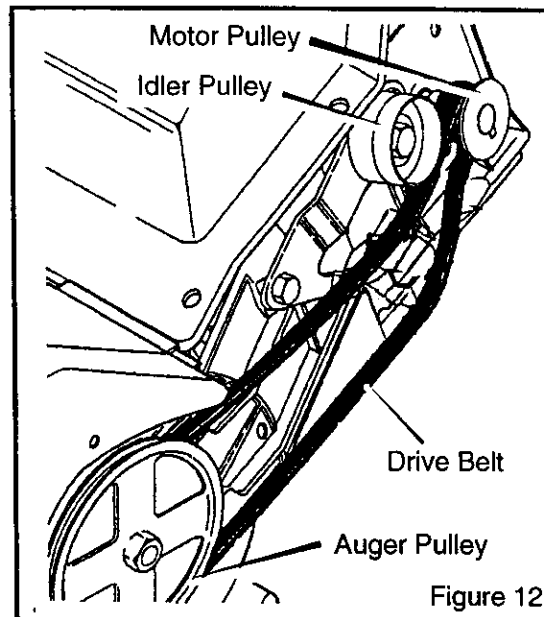
1. Loosen the two set screws on the motor pulley.
2. Slide the motor pulley in or out on the shaft until the pulley is flush with the straight edge (see Figure 11).
3. Tighten the two set screws on the motor pulley.
4. Reinstall belt cover. Make sure the shorter screw is in the front position (see Figure 10).
5. If the drive belt is damaged or worn excessively, replace it with a new belt.

NOTE: When servicing use only identical replacement parts. If extension cord is damaged, in any manner, replace or repair cord.

TO REPLACE THE DRIVE BELT

The drive belt on this unit is of special construction and must be replaced with the same type belt available at your nearest authorized service center.

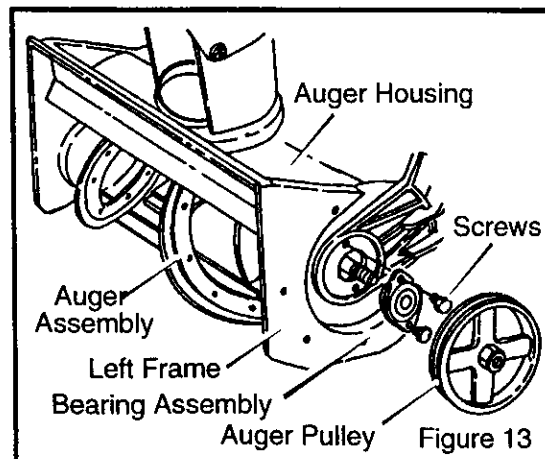
1. Remove the belt cover.
2. Carefully lift idler pulley to release pressure on belt (see Figure 12).
3. Remove old belt.
4. Replace with new belt with belt ribs down.
5. Release idler pulley.
6. Make sure the belt is seated properly.
7. Check the drive belt adjustment (see "To Adjust the Drive Belt").
8. Reinstall belt cover. Make sure the shorter screw is in the front position (see Figure 10).



TO REPLACE THE AUGER

1. Remove the belt cover (see "To Remove Belt Cover").
2. Remove the drive belt (see "To Replace The Drive Belt").
3. Remove the auger pulley (see Figure 13) from the auger shaft (threads are left hand; turn clockwise to remove). Place a piece of wood (2x4) on the center paddle area to secure auger to keep from turning.
4. Remove the bearing assembly from the left frame of snow thrower by removing the two nuts on the inside of housing.
5. Slide the auger assembly out of the bearing assembly on the right side of the snow thrower.
6. Tip the auger assembly enough to allow it to slide out of the auger housing.
7. Install the new auger assembly in reverse order of removal.

NOTE: Check the drive belt adjustment before installing the belt cover (see "To Adjust the Drive Belt").



SERVICE AND ADJUSTMENT

MOTOR SERVICE

Motor repairs and adjustments should be done by technicians trained to work on snow thrower type motors. Take your snow thrower to an Authorized Sears Service Center for repair and adjustment.

SNOW THROWER STORAGE

- Thoroughly clean the snow thrower.
- Lubricate all the lubrication points (see the Maintenance section).
- Be sure that all nuts, bolts and screws are securely fastened. Inspect all visible moving parts for damage, breakage and wear. Replace if necessary.
- Touch up all rusted or chipped paint surfaces; sand lightly before painting.
- Cover the bare metal parts of the blower housing and auger with rust preventative, such as a spray lubricant.
- Store the snow thrower indoors in a clean, dry, locked-up place out of reach of children.
- Store the extension cord with the snow thrower to prevent misplacement.
- Inspect the snow thrower thoroughly for worn, loose or damaged parts. Make all necessary repairs before storing snow thrower.
- Inspect extension cord thoroughly for signs of excess wear or damage. If worn or damaged, replace with a U.L. listed cord suitable for outdoor use in cold weather.

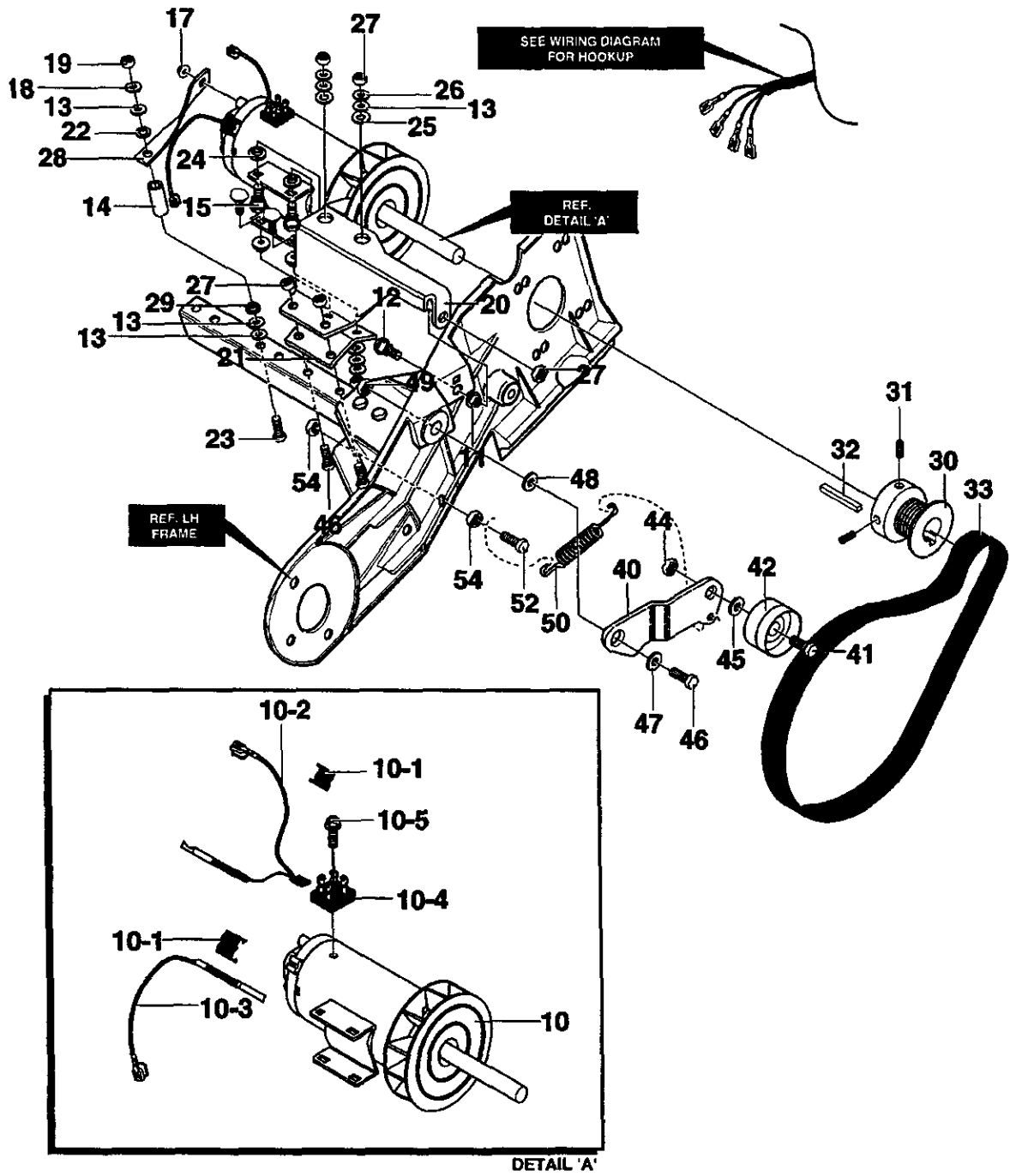
NOTE: A yearly checkup or tune-up at a Sears Authorized Service Center is a good way of ensuring that your snow thrower will provide maximum performance for the next season.

TROUBLE SHOOTING

TROUBLE	CAUSE	CORRECTION
Motor runs erratically	Damaged motor	Have the unit serviced by a competent repairman.
	Obstruction in auger	Remove obstruction. Clean auger housing. Clean ice and snow from discharge chute.
Excessive vibration	Loose parts	Stop motor immediately and unplug power cord. Tighten all bolts and make all necessary repairs. If vibration continues, have the unit serviced by a competent repairman.
	Damaged auger	Repair or replace auger assembly.
Unit fails to propel itself	Drive belt loose or damaged	Replace drive belt.
	Worm auger assembly	Replace auger assembly.
Unit fails to discharge snow	Auger drive belt loose or damaged	Replace if damaged.
	Discharge chute clogged	Stop motor immediately and unplug power cord. Clean discharge chute and inside of auger housing.
	Foreign object lodged in auger	Stop motor immediately and unplug power cord. Remove object from auger.
Motor stops	Snow Thrower is overworked	The motor is equipped with a protector that will disconnect power to the motor temporarily if the snow thrower is overworked, and will automatically reset as the motor cools. If the motor stops, release the control bar, disconnect the extension cord and allow the motor to cool 5 minutes before continuing operation. If this happens often take your snow thrower to an Authorized Sears Service Center for repair and adjustment.

CRAFTSMAN 20" ELECTRIC SNOW THROWER 536.882092

MOTOR ASSEMBLY

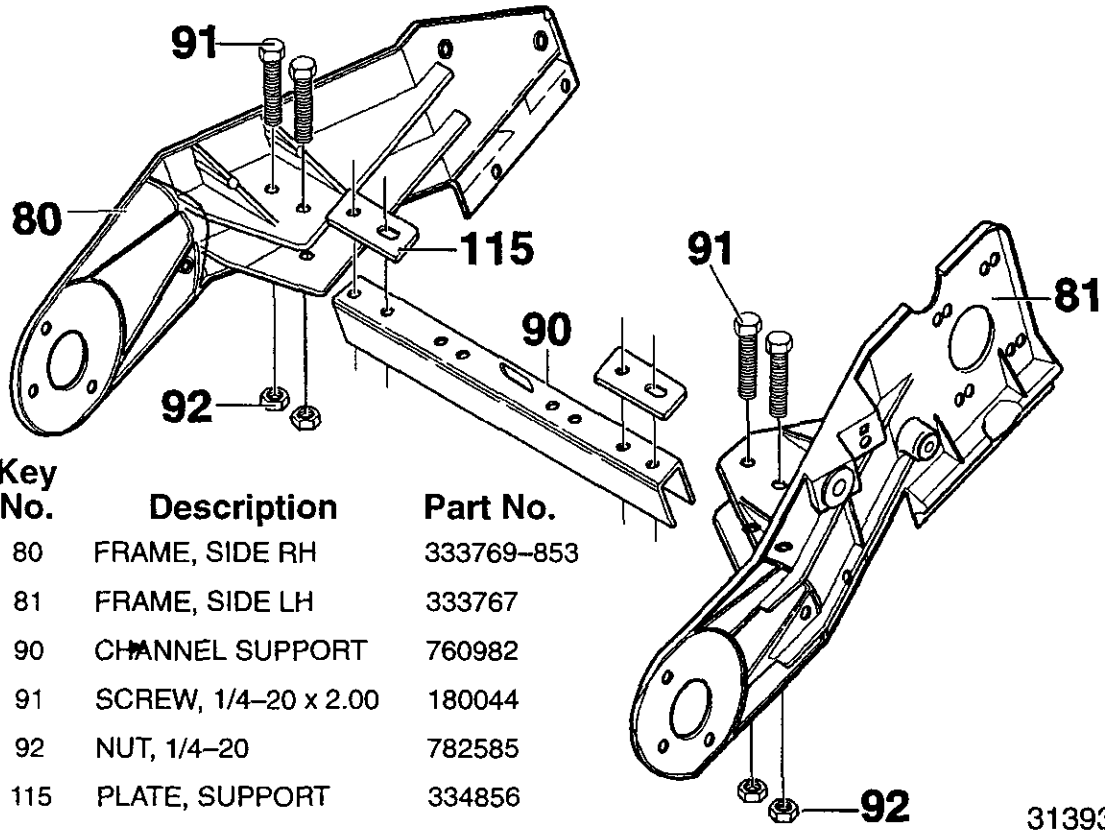


CRAFTSMAN 20" ELECTRIC SNOW THROWER 536.882092**MOTOR ASSEMBLY**

Key No.	Description	Part No.
10	MOTOR, ELECTRIC	760912
10-1	BRUSH CAP	761142
10-2	BRUSH CUT-OUT ASSY.	761143
10-3	BRUSH ASSY.	761144
10-4	RECTIFIER	761146
10-5	SCREW, 10-24	761145
11	NUT RETAINER	710288
12	BOLT, 5/16-18 x .75	340720
13	PLASTIC WASHER	6711
14	TUBE, INSULATOR	761203
15	BOLT, 5/16-18 x 1.00	3316
17	NUT,#10-24	312300
18	FLATWASHER	71067
19	NUT, 1/4-20	782585
20	BRACKET, UPPER MOTOR MT.	760932-853
21	BRACKET, LOWER MOTOR MT.	760931-853
22	FLATWASHER	583372
23	SCREW, 1/4-20 x 1.00	180022
24	INSULATOR, MOTOR	760934
25	INSULATOR WASHER	760933
26	FLATWASHER	71071
27	NUT, 5/16-18	71038
28	BRACE, MOTOR	760984-853
29	SHOULDER WASHER	583371
30	PULLEY, MOTOR	760981
31	SCREW, 1/4-20 x .38	102570
32	SQUARE KEY	71095
33	BELT	760976
40	IDLER BRACKET	583395
41	SCREW, 3/8-16 x 1.50	710082
42	IDLER PULLEY	583391
44	NUT, 3/8-16	590
45	FLATWASHER	71072
46	SCREW, 5/16-18 x .75	313676
47	FLATWASHER	71071
48	SPACER, SLEEVE	53794
49	NUT, 5/16-18	71391
50	IDLER SPRING	760988
52	SCREW, 1/4-20 x 1.25	308231
54	NUT, 1/4-20	71034
—	MANUAL, OWNER'S	F-001026M

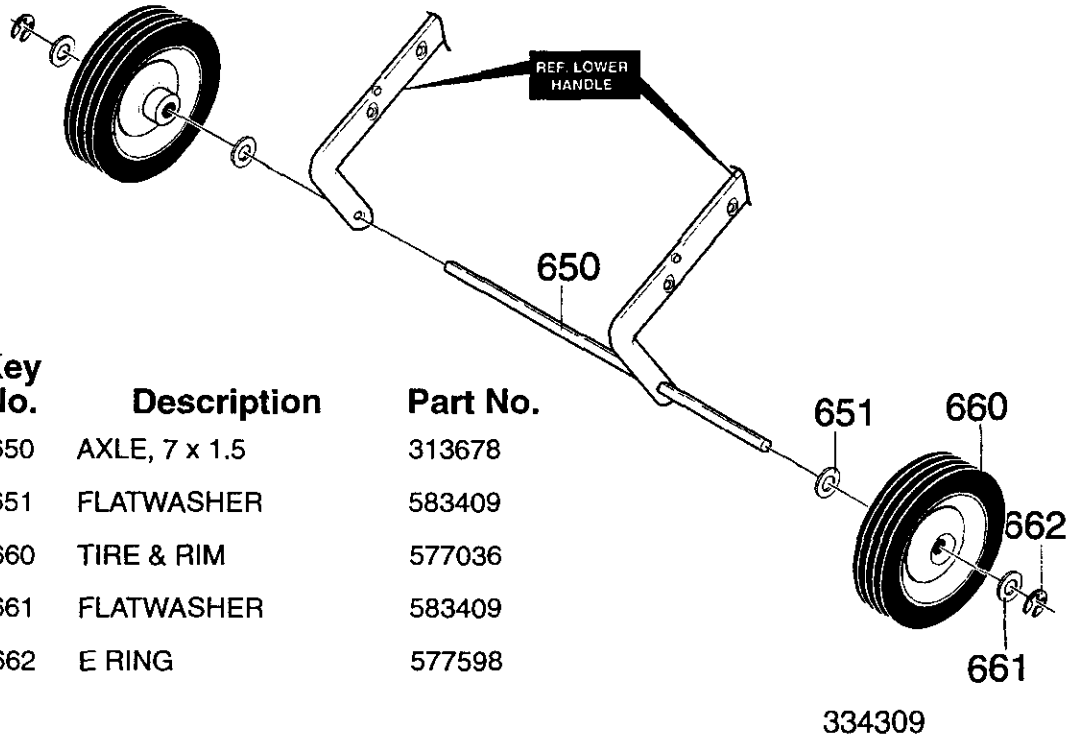
CRAFTSMAN 20" ELECTRIC SNOW THROWER 536.882092

FRAME ASSEMBLY



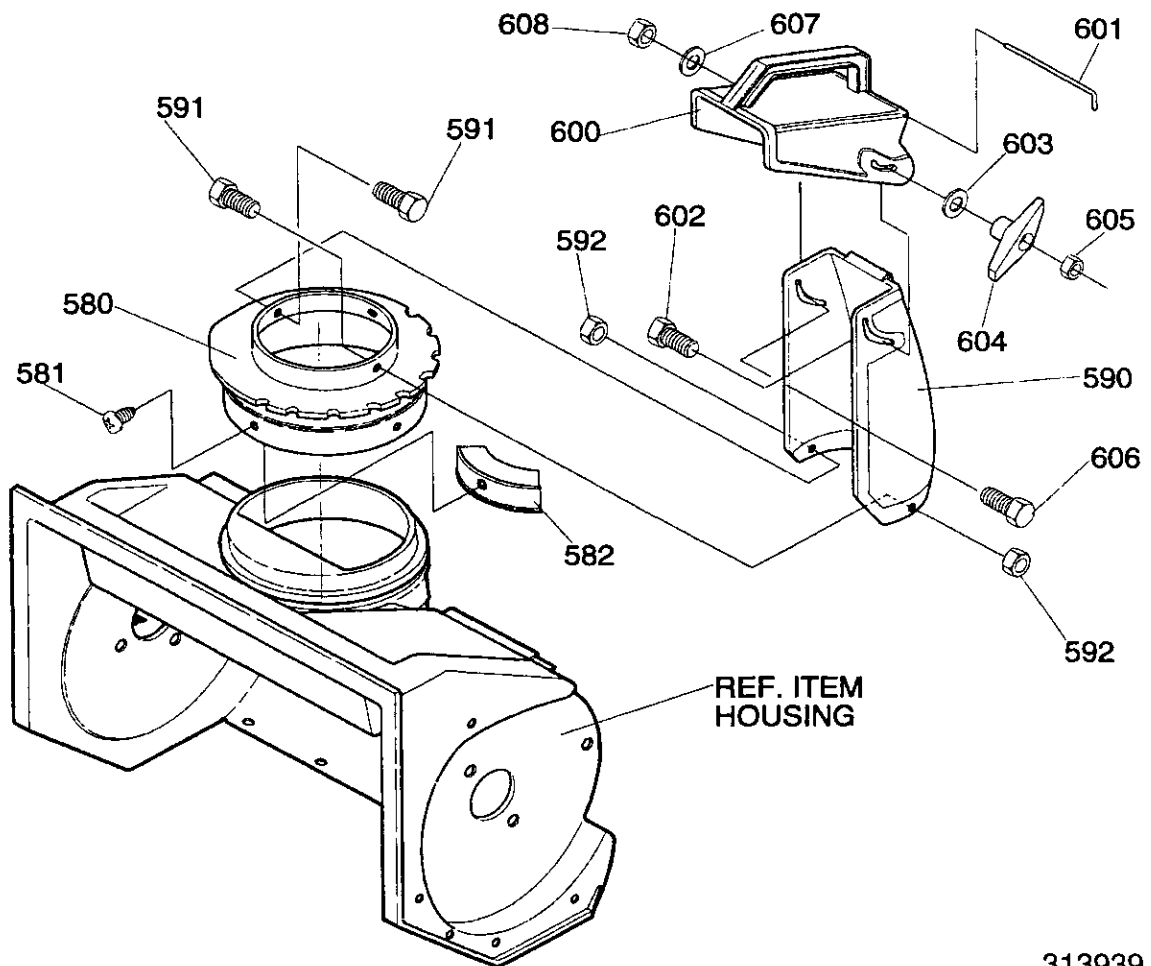
Key No.	Description	Part No.
80	FRAME, SIDE RH	333769-853
81	FRAME, SIDE LH	333767
90	CHANNEL SUPPORT	760982
91	SCREW, 1/4-20 x 2.00	180044
92	NUT, 1/4-20	782585
115	PLATE, SUPPORT	334856

WHEEL ASSEMBLY



Key No.	Description	Part No.
650	AXLE, 7 x 1.5	313678
651	FLATWASHER	583409
660	TIRE & RIM	577036
661	FLATWASHER	583409
662	E RING	577598

**CRAFTSMAN 20" ELECTRIC SNOW THROWER 536.882092
DISCHARGE CHUTE ASSEMBLY**

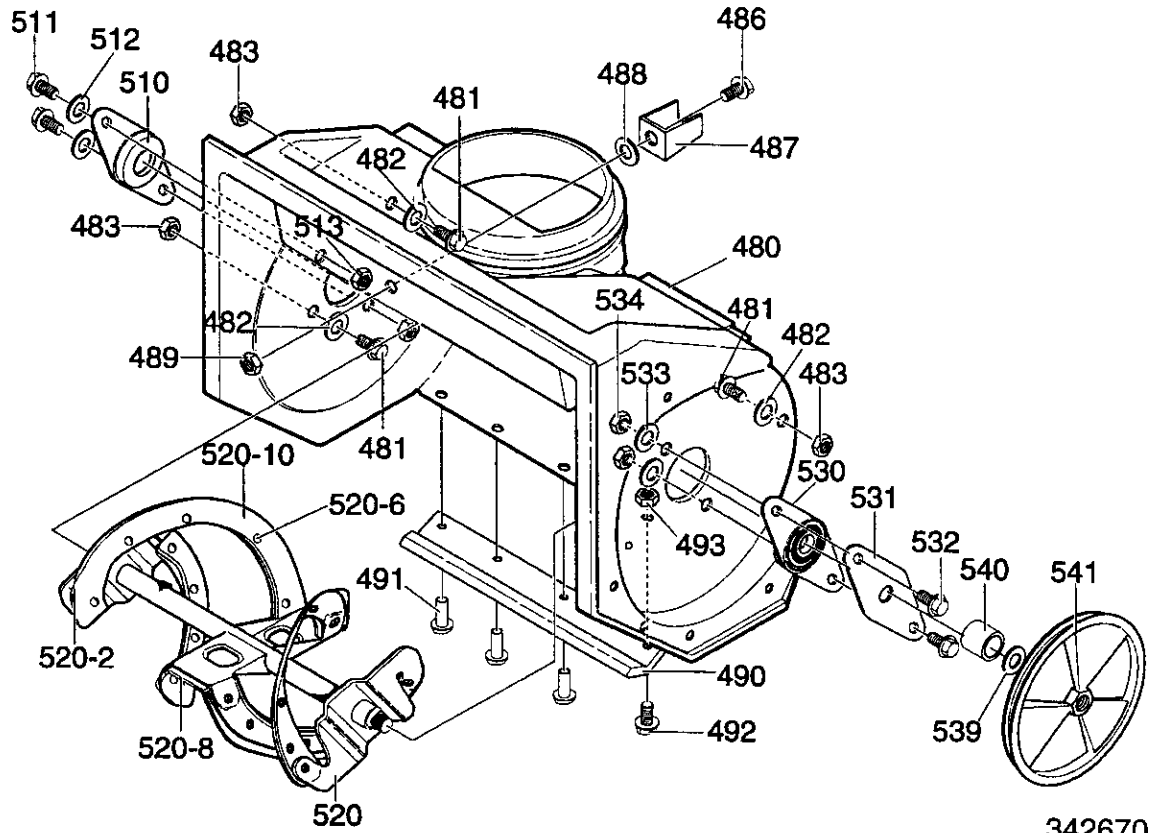


313939

Key No.	Description	Part No.
580	RING, CHUTE	314239
581	SCREW, 1/4-20 x .50	711752
582	GUIDE, CHUTE	577021
590	LOWER CHUTE	334234
591	SCREW, 1/4-20 x .50	313686
592	NUT, 1/4-20	302635
600	UPPER CHUTE	325847
601	WIRE HINGE	308931
602	BOLT, 5/16-18 x 1.25	302843
603	FLATWASHER	71071
604	T KNOB	57171
605	NUT, 5/16-18	71037
606	SCREW, 5/16-18 x .756	578088
607	FLATWASHER	71071
608	NUT, 5/16-18	71391

CRAFTSMAN 20" ELECTRIC SNOW THROWER 536.882092

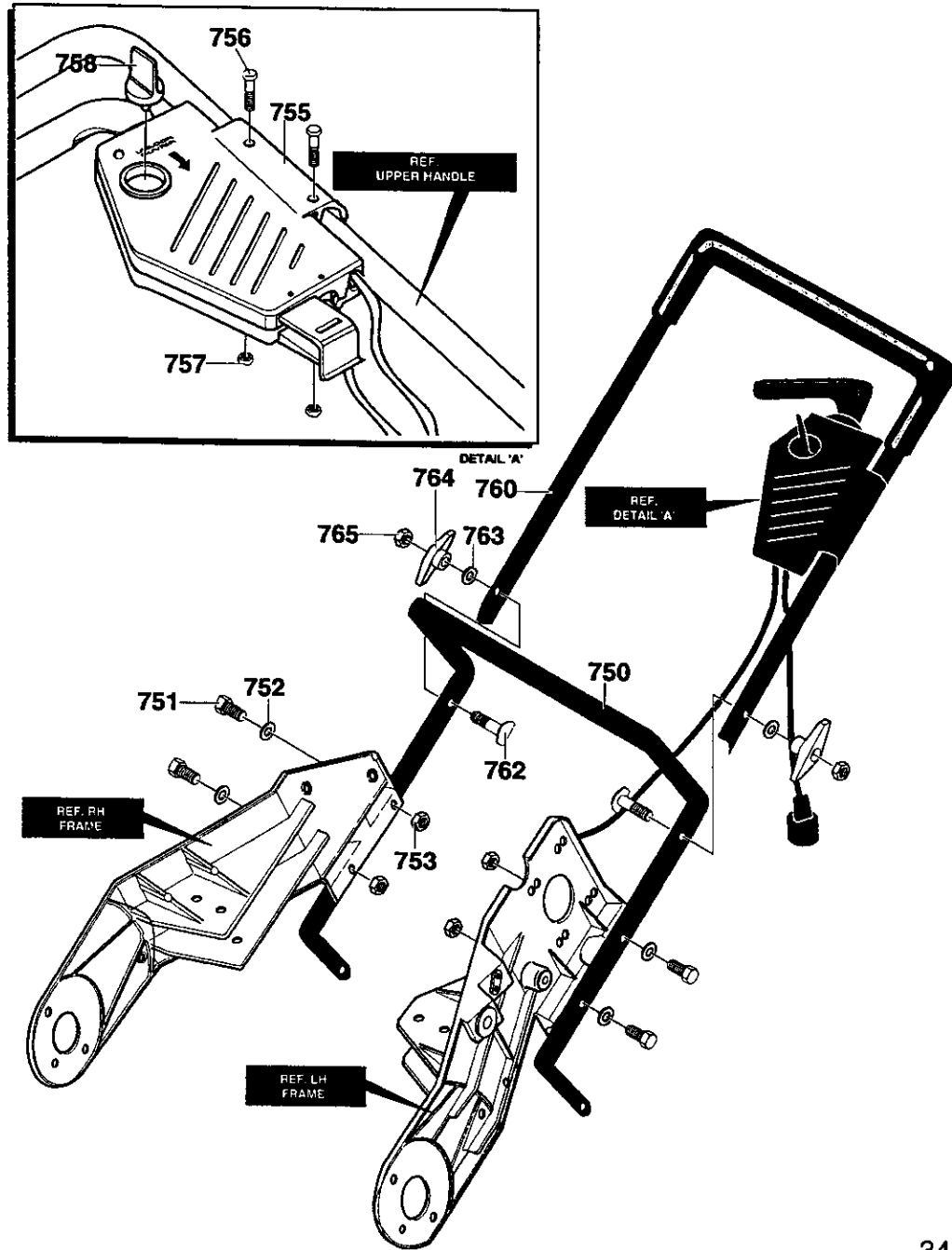
AUGER HOUSING ASSEMBLY



342670

Key No.	Description	Part No.	Key No.	Description	Part No.
480	HOUSING ASSEMBLY	330312	513	NUT, 1/4-20	302635
481	SCREW, 1/4-20x.75	302628	520	AUGER ASSEMBLY	302783
482	FLATWASHER	71067	520-2	AUGER BLADE	302565
483	NUT, 1/4-20	73826	520-6	RIVET	49838
486	SCREW, 1/4-20 x.63	579052	520-8	CENTER BLADE	335992
487	BRACKET, STOP	331126	520-10	BLADE SUPPORT	302552
488	FLATWASHER	331211	530	BEARING ASSEMBLY	583459
489	NUT, 1/4-20	302635	531	BEARING RETAINER	334287
490	SCRAPER BAR	55323	532	SCREW, 1/4-20x5/8	579052
491	RIVET	577707	533	FLATWASHER	71067
492	SCREW, 1/4-20x .75	302628	534	NUT, 1/4-20	73826
493	NUT, 1/4-20	302635	539	FLATWASHER	40677
510	FLANGE BEARING	577023	540	SPACER, SLEEVE	578101
511	SCREW, 1/4-20x1.00	710263	541	PULLEY, POLY V	583363
512	FLATWASHER	71067			

**CRAFTSMAN 20" ELECTRIC SNOW THROWER 536.882092
HANDLE ASSEMBLY**

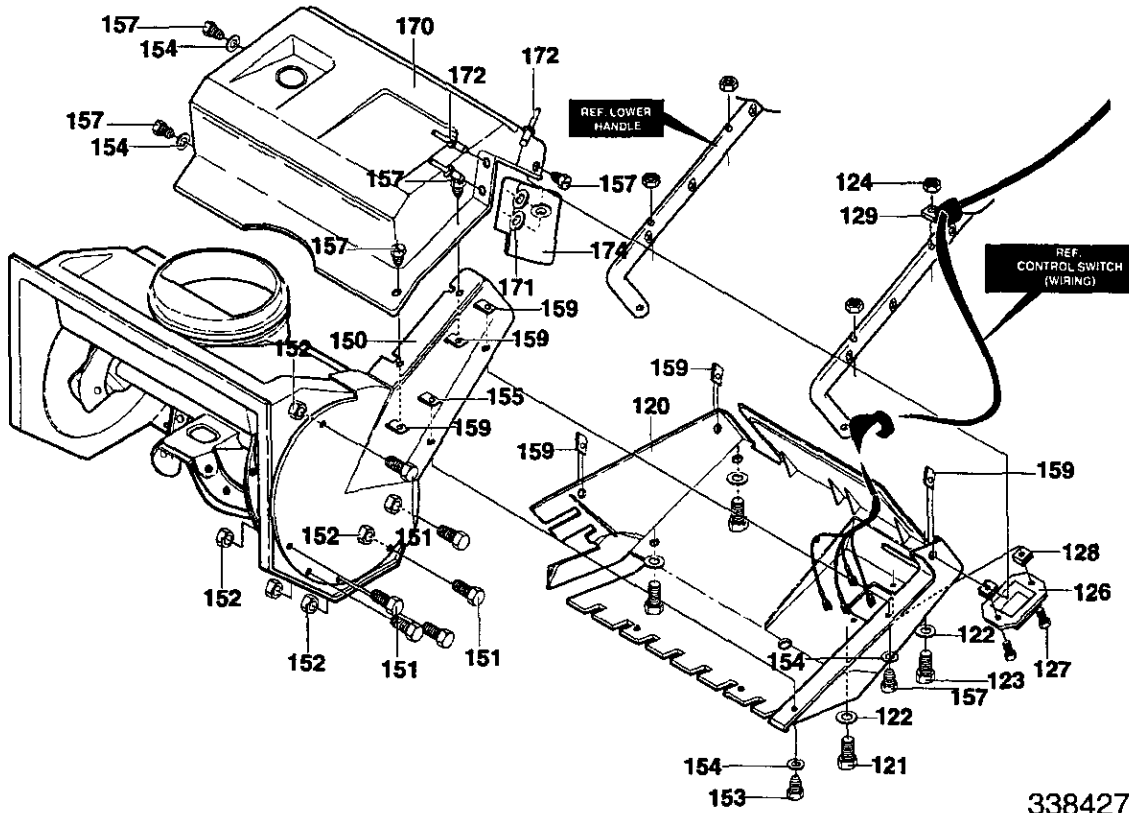


342561

Key No.	Description	Part No.	Key No.	Description	Part No.
750	HANDLE, LOWER	313487-853	758	KEY, SWITCH BOX	583356
751	SCREW	313674	760	UPPER HANDLE	761117
752	FLATWASHER	71067	762	BOLT	337584
753	NUT, 1/4-20	782585	763	WASHER, FORMED	311936
755	ASSY, SWITCH BOX	342757	764	T KNOB	57171
756	SCREW, 10-24	581060	765	NUT, 5/16-18	71037
757	NUT, #10-24	71055			

CRAFTSMAN 20" ELECTRIC SNOW THROWER 536.882092

BELT COVER ASSEMBLY

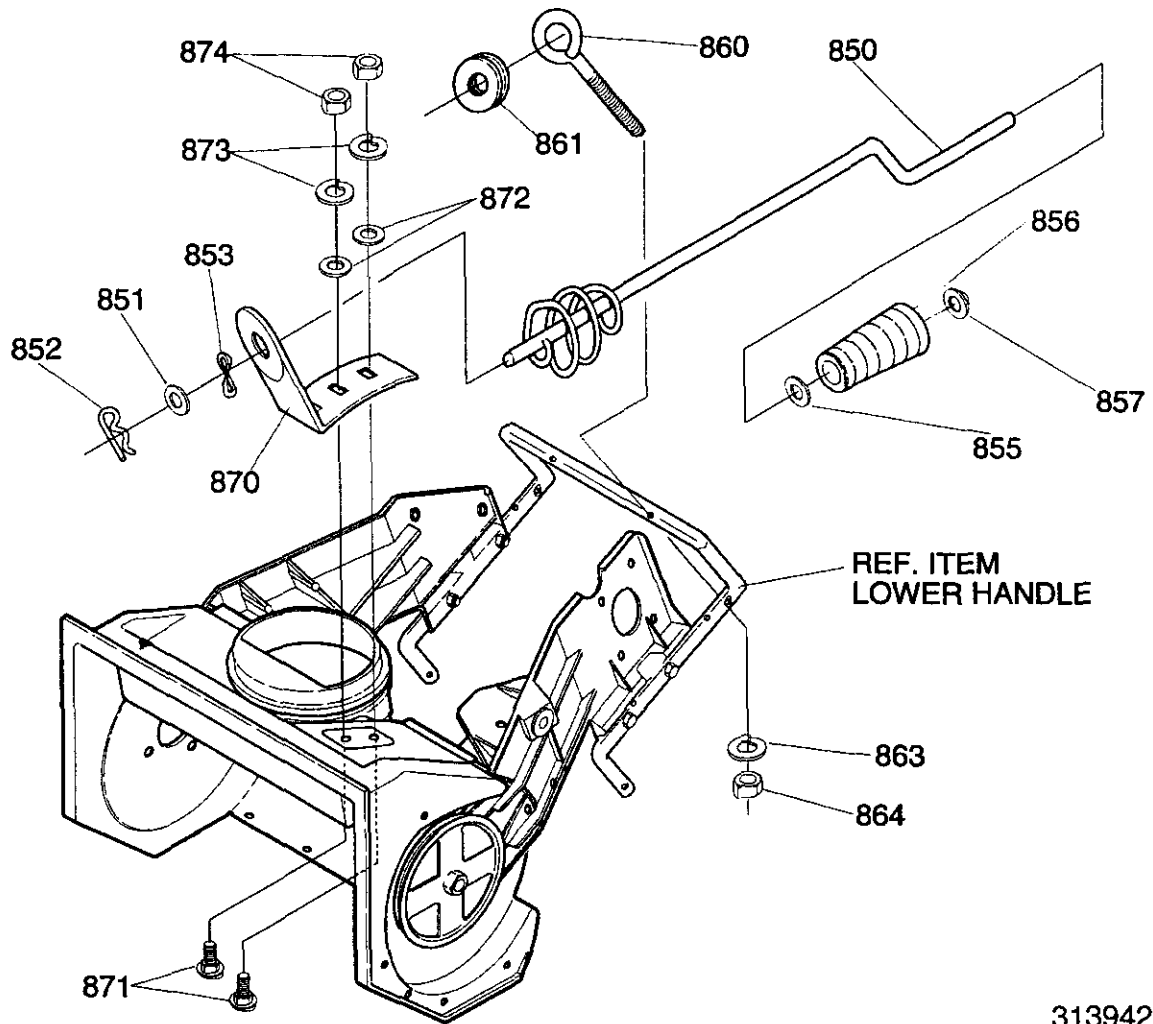


338427

Key No.	Description	Part No.
120	BOTTOM COVER	584589
121	SCREW, 1/4-20 x 1.25	313674
122	FLATWASHER	71067
123	SCREW, 1/4-20 x 1.50	70971
124	NUT, 1/4-20	782585
126	CABRURATOR COVER	326212
127	SCREW, 1/4-14 x .75	313685
128	NUT, 1/4-10	578109
129	CABLE CLIP	583435
150	COVER, BELT	57036
151	SCREW, 10-24 x .50	12342
152	NUT, #10-24	312300
153	SCREW, 1/4-20 x .50	313686
154	FLATWASHER	71067
155	NUT, 1/4-20	578107
157	SCREW, 1/4-14 x .75	313685
159	NUT, 1/4-10	578109
170	TOP COVER	760958
171	FLATWASHER	901736
172	RIVET	902973
174	SIDE COVER	58046

CRAFTSMAN 20" ELECTRIC SNOW THROWER 536.882092

CHUTE CONTROL ROD ASSEMBLY



313942

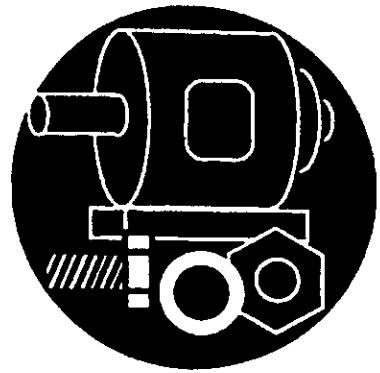
Key No.	Description	Part No.
850	ROD, ASSY UPPER CHUTE	314996
851	FLATWASHER	71072
852	COTTER PIN	71082
853	WASHER, CURVED SPRING	313431
855	FLATWASHER	71072
856	KNOB, SLEEVE	57082
857	NUT, PUSH	331532
860	EYE BOLT 3/8-16x2.00	313712
861	GROMMET, EYE BOLT	148
863	WASHER, SPLITLOCK	71062
864	NUT, 3/8-16	71045
870	BRACKET, CHUTE ROTATE	333946-853
871	BOLT, 5/16-18 x .75	340720
872	FLATWASHER	71071
873	WASHER, SPTLOCK	71060
874	NUT, 5/16-18	71037

For the repair or replacement parts you need delivered directly to your home
Call 7am–7pm, 7days a week

1-800-366-PART

(1-800-366-7278)

Para ordenar piezas con entrega a domicilio – 1-800-659-7084



For in-house major brand repair service
Call 24 hours a day, 7days a week

1-800-4-REPAIR

(1-800-473-7247)

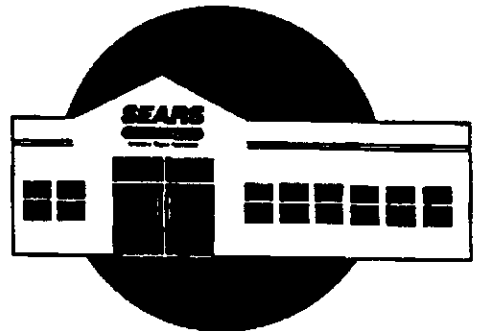
Para pedir servicio de reparación a domicilio– 1-800-676-5811



For the location of a Sears Parts and Repair Center in your area

Call 24 hours a day, 7days a week

1-800-488-1222



For information on purchasing a Sears Maintenance agreement or to inquire about an existing Agreement

Call 9am–5pm, Monday–Saturday

1-800-827-6655



When requesting service or ordering parts, always provide the following information:

- Product Type
- Part Number
- Model Number
- Part Description

SEARS
REPAIR SERVICES

America's Repair Specialists