

# BOSCH

## INSTALLATION INSTRUCTIONS MANUAL STEEL GAS COOKTOPS with FULL-SURFACE GRATES 30" MODELS: NGT73, NGP73 36" MODELS: NGT93, NGP93

### PLEASE READ INSTRUCTION BEFORE PROCEEDING

- IMPORTANT:** Save these instructions for the local electrical inspector's use.  
**INSTALLER:** Please leave these Installation Instructions with this unit for the owner.  
**OWNER:** Please retain these instructions for future reference.

### Important Safety Instructions

- Installation must conform with local codes or, in the absence of local codes, with the National Fuel Gas Code, ANSI Z223.1.
- The appliance must be electrically grounded in accordance with local codes or, in the absence of local codes, with the National Electrical Code ANSI/NFPA 70, latest edition. (In Canada, installation must be in accordance with the CAN I-B149.1 and .2 Installation Codes for Gas Burning Appliances and/or local codes )
- This appliance has been tested in accordance with ANS Z21.1, Standard for Household Cooking Appliances (USA) and in accordance with CAN I-M81 Interim Reqt #58 Domestic Gas Cooktops (CANADA).



**WARNING:** Improper installation, adjustment, alteration, service or maintenance can cause injury or property damage. Refer to this manual. For assistance or additional information consult a qualified installer, service agency, manufacturer or the gas supplier.

- The cooktop must be used in conjunction with a suitable ventilation system.

### Power Requirements and Grounding

Power Supply: 120 Volts, 15 Ampere, 60 Hz. This appliance is factory equipped with a 5-foot power supply cord with a 3-prong grounding plug (with polarized parallel blades).

**TO PREVENT ELECTRICAL SHOCK, THE THIRD GROUND PRONG SHOULD NOT UNDER ANY CIRCUMSTANCES, BE CUT OR REMOVED. IT MUST BE PLUGGED INTO A MATCHING GROUNDING TYPE RECEPTACLE AND CONNECTED TO A CORRECTLY POLARIZED 120-VOLT CIRCUIT. A separate circuit is recommended which is in compliance with the NEC.**

If there is any doubt as to whether the wall receptacle is property grounded, the customer should have it checked by a qualified electrician.

**CAUTION:** Before you plug in an electrical cord, be sure all controls are in the OFF position.

### Gas Requirements

#### Supply Pressure

Natural Gas - 6 inches water column (14.9 Millibars) minimum.

Propane Gas - 11 inches water column (27.4 Millibars) minimum.

The maximum gas pressure to this appliance is not to exceed 14.0 inches water column (34.9 MB).

#### PROPANE GAS INSTALLATION

The propane gas tank must be equipped with its own high pressure regulator in addition to the pressure regulator supplied with this unit.

The cooktop is shipped from the factory for use with natural gas. For use with LP, a conversion kit is required and must be purchased separately. Contact BSH or your retailer to obtain kit # NEZ1065. A qualified technician or installer must do the conversion.

**Leak testing of the appliance shall be conducted according to manufacturer's instructions.**

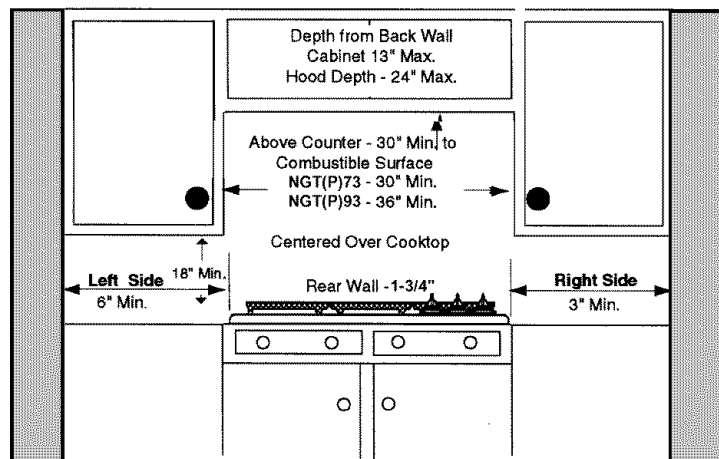
**Do Not Discard This Sheet**

# CABINET CONSIDERATIONS AND COUNTERTOP CUTOUT

Dimension requirements in Figs. 1 & 2 are for combustible surfaces. When the surface is protected by a material listed by UL as a Floor Protector and Wall Shield and is covered with not less than No. 28 MSG sheet metal, 0.015-inch stainless steel, or 0.024-inch aluminum or copper, it is considered noncombustible and some dimensions may be reduced. For a noncombustible surface over the cooktop, the minimum clearance is 24" rather than 30".

- Instructions are based on standard American cabinets 36" high x 24" deep with a 25" countertop.
- Provide approximately a 10-square-inch opening in the toe kick area or other cabinet area for adequate air inlet to the cabinet.

**Figure 1 – Installed Dimensions (from cooktop edges)**



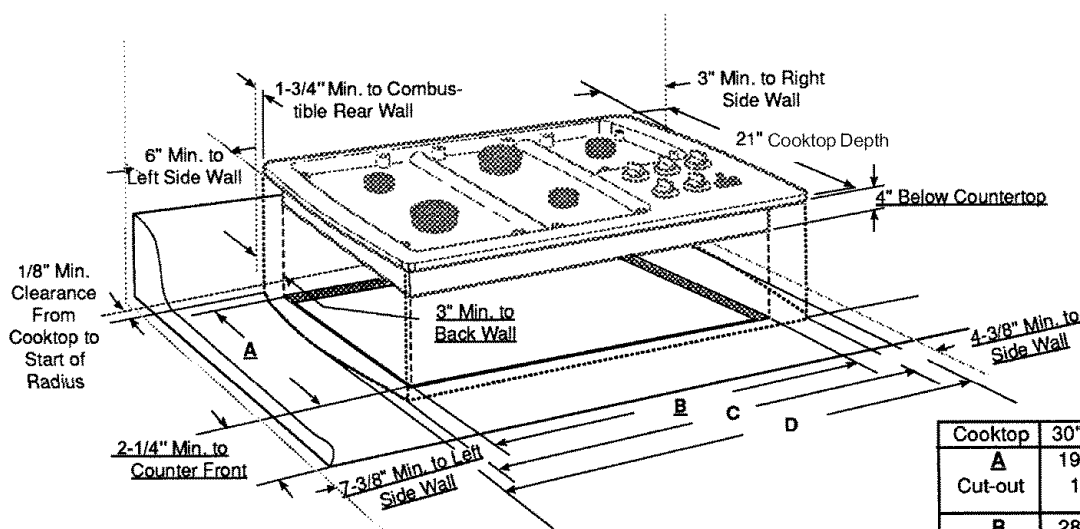
Cooktop to front of countertop – 1-1/4" minimum

Dimensions are minimum clearances to combustible materials

**NOTICE:** All measurements given in Figures 1 and 2 have to be precisely followed. If non-standard cabinets are used, make sure they are installed with minimum dimensions shown in Fig. 1 and Fig. 2.

Plan the installation of the unit so that the power cord, gas shut-off valve and gas pressure regulator are accessible from the front of cabinet. If a drawer is installed directly under the cooktop, its depth (front to back) should be no greater than 15".

**Figure 2**



**Cutout Dimensions are Underlined**

Cooktop	30" Models	36" Models
<u>A</u> Cut-out	19-1/8" to 19-7/8"	19-1/8" to 19-7/8"
<u>B</u> Cut-out	28-5/8" to 29-3/8"	34-5/8" to 35-3/8"
<u>C</u> Corner	30"	36"
<u>D</u> Overall	31"	37"

# INSTALLING THE COOKTOP

## 1. Seal the Cooktop

Apply the foam tape packaged with the cooktop to underside of the cooktop along the perimeter before installing. See Fig. 3.

Important: For solid surface material installations such as Surel™ and Corian®, consult with solid surface manufacturer. Apply heat reflective tape such as Scotch® Aluminum Foil Tape #425 or #427 around the cutout so that it folds over on the top and sides. DO NOT WRAP THE TAPE UNDERNEATH THE COOKTOP. Be sure the tape extends beyond the outermost flange of the cooktop. All corners should be covered with tape. See Fig 3.

## 2. Attach Brackets to the Cooktop

Attach clamps of the hold-down brackets packaged with the cooktop to the rough-in box. Use the washers and screws provided. See Fig. 4.

## 3. Install the Cooktop

Insert cooktop into the cutout. Adjust hold-down brackets to desired position and tighten screws to rough-in box. Insert adjusting screw into clamp and secure cooktop to countertop. See Fig. 4.

Important: For solid surface material installations, insert a wooden block between the end of the screw and the bottom of the countertop. Do not overtighten adjusting screw. See Figure 4. Trim excess aluminum tape around cooktop flange.

## 4. Connect Gas Supply

The gas inlet to the unit is located at the right rear of rough-in box. See Figure 5. After installing a gas shut-off valve in an easily accessible location under the unit (see Figure 6), install the pressure regulator (supplied) to manifold pipe using Teflon® tape on threads of manifold pipe. To prevent possible damage to the gas pressure regulator, install it after the rough-in box is in its permanent position.

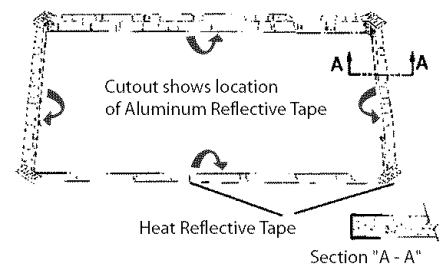
**CAUTION:** Do not attempt any adjustment of the pressure regulator, except for conversion to propane.

Connect the gas supply line to the unit pressure regulator using a 1/2" flex gas line connector between wall shut-off valve and pressure regulator. (See complete procedure in Figure 6.)

Continued next page

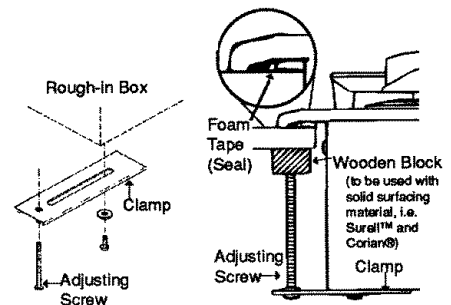
**Figure 3**

Counter cutout – solid surface countertops



**Figure 4**

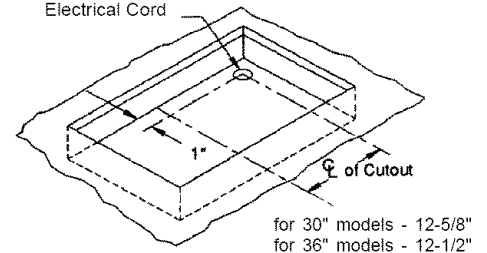
Attaching hold-down brackets



**Figure 5**

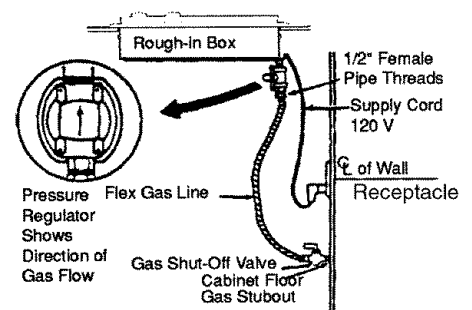
Rough-in Box area.

Opening for Gas Connection & Electrical Cord



**Figure 6**

Gas and electrical location.



Secure regulator to cooktop gas inlet using approved Teflon® tape. Turn to hand tighten plus 1/4 turn, not exceeding one turn for alignment.

Turn on gas at shut-off valve and check supply line connections for leaks using a soap solution. Do not use a flame of any sort.

#### Important Notes for Gas Connection:

The appliance and its individual gas shutoff valve must be disconnected from the gas supply piping system during any pressure testing of that system at test pressures in excess of 1/2 psi (3.5kPa).

The appliance must be isolated from the gas supply piping system by closing its individual manual shut-off valve during any pressure testing of the gas supply piping system at test pressures equal to or less than 1/2 psi (3.5kPa).

#### **For Massachusetts Installations:**

1. Shut-off valve must be a "T" handle gas cock.
2. Flexible gas connector must not be longer than 36 inches.
3. Not approved for installation in a bedroom or a bathroom unless unit is direct vent.

#### **5. Connect Electrical Supply**

Before connecting 5-foot supply cord to wall receptacle, make certain that gas shutoff valve and all burner controls are in OFF position.

#### **6. Final Check**

After electrical connection is complete, place each burner cap in correct notched position and check operation of electric igniters. Check flame characteristics. Flame should be blue with no yellow tip.

Check Use & Care manual for troubleshooting information.

**For technical service questions contact Customer Service at 800/944-2904.**

**For the most up to date critical dimensions by fax, use your fax handset and call 775-833-3600.  
Use code # 8317.**

We reserve the right to change specifications or design without notice. Some models are certified for use in Canada. BSH Home Appliances Corp. is not responsible for products which are transported from the U.S. for use in Canada. Check with your local Canadian distributor or dealer.

Note: The Bosch cooktop referred to throughout this manual is manufactured by BSH Home Appliances Corp.



# **BOSCH**

5551 McFadden Avenue, Huntington Beach, CA 92649 • 800/944-2904  
© 2002 BSH Home Appliances Corp. • Litho/U.S.A. 01/02  
50 60 00 36 17 (8201)