

GE Monogram®

Installation

Instructions

Built-In Microwave/
Convection &
Microwave Ovens

Models

ZMW2000B, ZMW2000W,

ZMC3000B, ZMC3000W

ZMC1090B, ZMC1090W

*Important
Safety
Information*

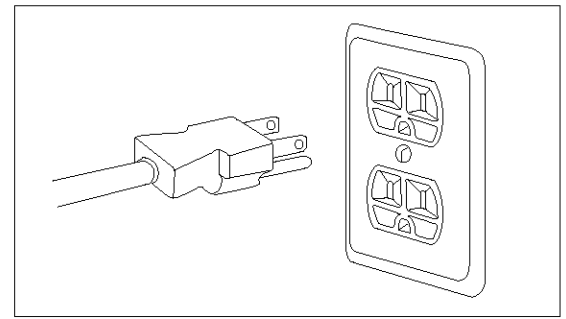
Safety Instructions

This product requires a three prong grounded receptacle. The installer must perform a ground continuity check on the power outlet box before beginning the installation to insure that the outlet box is properly grounded. If not properly grounded, or if the outlet box does not meet the electrical requirements noted, (under ELECTRICAL REQUIREMENTS), a qualified electrician should be employed to correct any deficiencies.

CAUTION: For personal safety, remove house fuse or oven circuit breaker before beginning installation to avoid severe or fatal shock injury.

CAUTION: For personal safety, the mounting surface must be capable of supporting the cabinet load, in addition to the added weight of this 70 pound product, plus additional oven loads of up to 50 pounds or a total weight of 120 pounds.

CAUTION: For personal safety this product cannot be installed in cabinet arrangements such as an island, a peninsula or below a countertop.

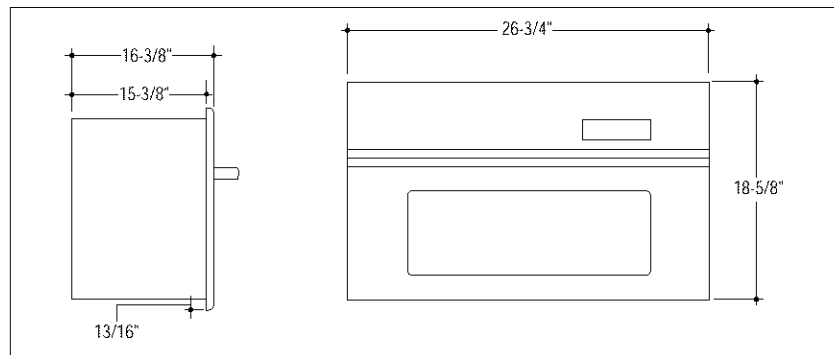


Electrical Requirements

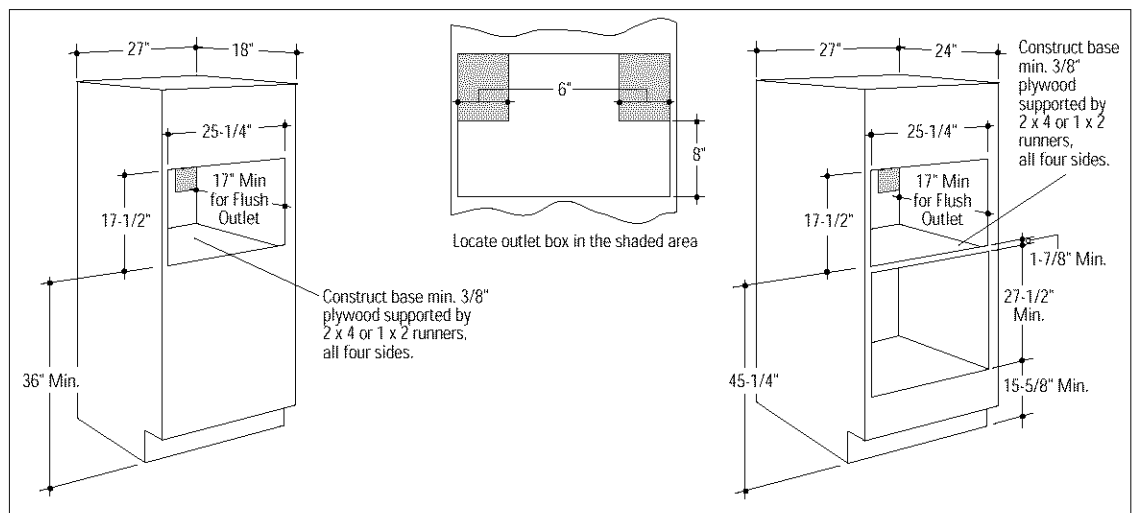
Product rating is 120 volts AC, 60 Hertz, 13 amps. and 1.45 kilowatts. This product must be connected to a supply circuit of the proper voltage and frequency. Wire size must conform to the requirements of the National Electric Code or the prevailing local code for this kilowatt rating. The power supply cord and plug should be brought to a separate 15 or 20 ampere branch circuit single grounded receptacle. The outlet box should be located near the cord entry point. The outlet box and supply circuit should be installed by a qualified electrician and conform in the National Electric Code or the prevailing local code.

Usage: Can be installed over any GE single electric built-in oven.

*Product
dimensions*



*Cutout
dimensions*



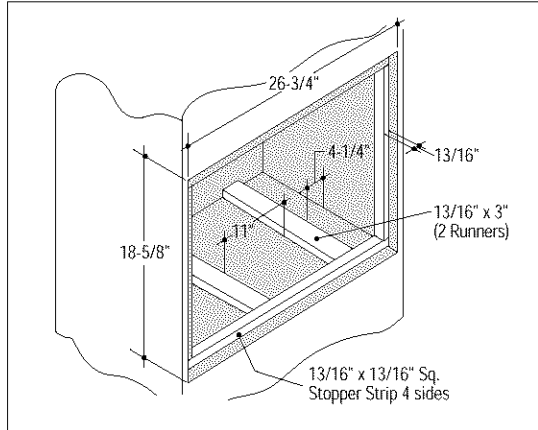
*Installation
Options*

Monogram built-in ovens can be inset into the cabinetry. In this installation the microwave is recessed and flush with the front surface of the cabinet.

A shadow box affect can be achieved by installing a rail at the top and bottom of the microwave to fill the cutout height. In this installation, exposed inside

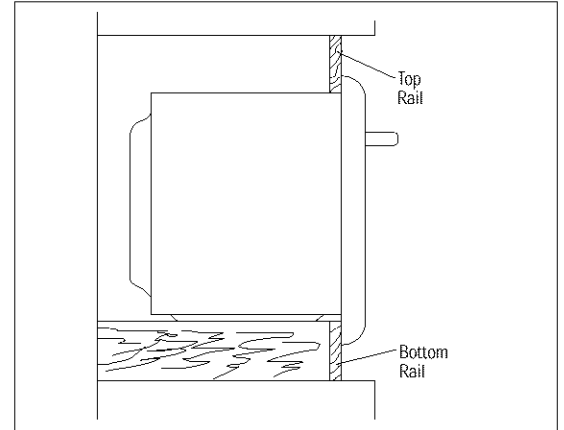
surfaces of the cabinet should be finished to match the cabinet surface.

- In both a recessed and shadow box installation, the floor of the cutout must be level and even with the bottom edge of the cutout. Use runners inside the opening to raise the floor to matching height.



Inset/Recessed Installation

- Cut 4 stopper strips, 13/16" square to frame the opening, install the strips 13/16" from the front edge of the opening. Oven overlap will cover all 4 stopper strips.



Shadow Box Installation

- Cut top and bottom rail to fit the width of the opening. Cut the height of the rails to fit the cutout height. Use cleats to secure the rails to the inside walls of the cabinets.

Tools and Materials

required:

- #2, Phillips screwdriver
- Hand held drill motor
- High speed drill bit, 1/8" diameter
- 2 each #8x1" - Round head wood screws
- 3/8", slothead screwdriver

Before you begin—Read these instructions completely and carefully.

IMPORTANT—Save these instructions for local inspector's use.

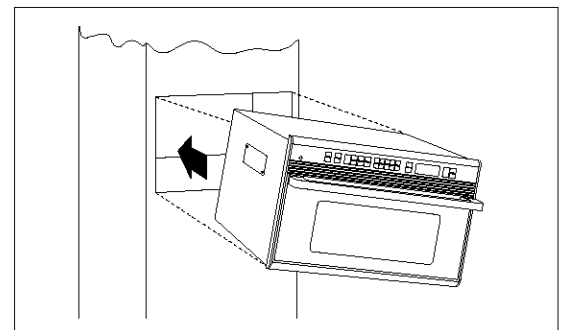
IMPORTANT—OBSERVE ALL GOVERNING CODES AND ORDINANCES.

Note to Installer—Be sure to leave these instructions with the consumer.

Note to Consumer—Keep these instructions with your Use and Care Book for future reference.

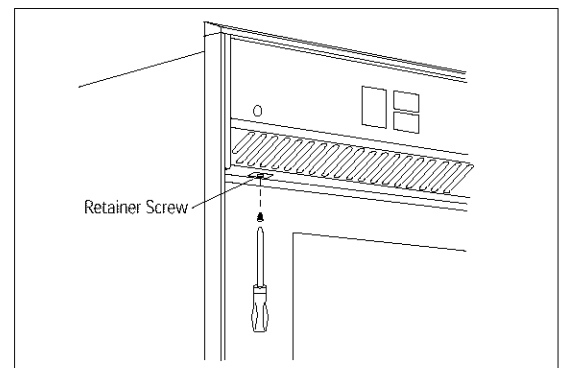
*Step 1
Slide the
microwave
into cutout*

- Lift unit into cabinet cut-out.
- While supporting the unit, place on a 45° angle and plug in the power cord. (Make certain the power cord is not trapped under the bottom or on the sides.)
- Slide the unit completely into the cabinet.



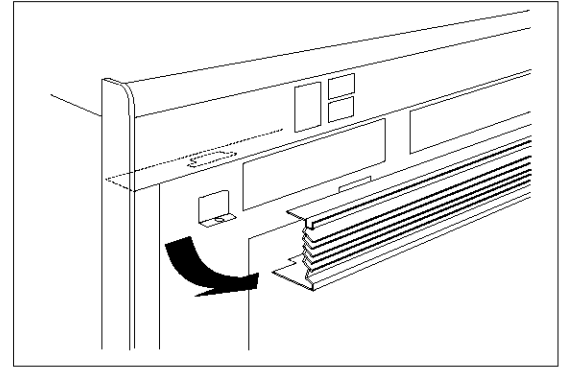
*Step 2
Remove
grille
retainer
screws*

- Open the door.
- Remove the two (2) retainer screws from the bottom side of the grille (one at each side).



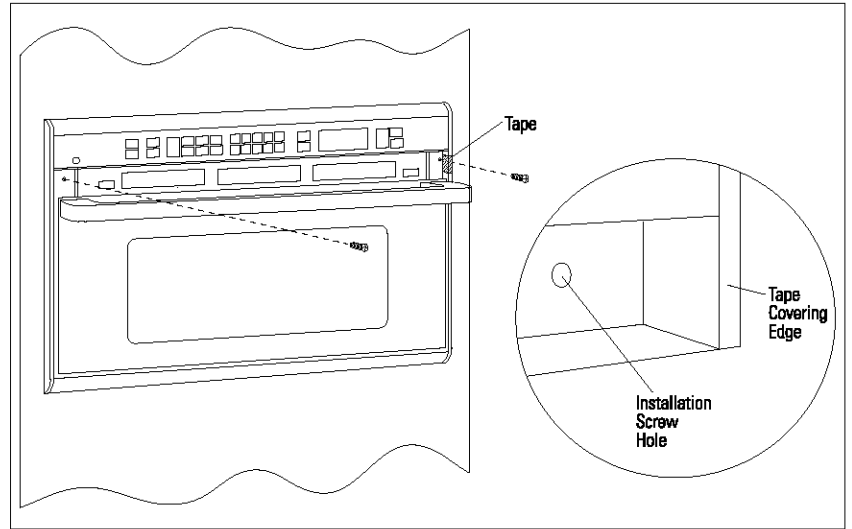
Step 3
Remove
grille

- Roll the grille forward from the bottom
- Disengage the locating tabs, and remove the grille from the unit.



Step 4
Drive
installation
screws

CAUTION: Place tape or cardboard over trim edges for prevention of damage while drilling pilot holes.



- Using the installation holes as a guide, drill two (2) pilot holes (1/8" diameter) into the cabinet.
- Install the two (2) installation screws.

Step 5
Reinstall
grille

- Reinstall the grille, by reversing the procedure used in Step 2 & 3.

Note: While performing installations described in this book, safety glasses or goggles should be worn.

To obtain specific information concerning any Monogram product or service, call GE Answer Center® consumer information service at 800.626.2000—any time, day or night.

For Monogram local service in your area, call 1-800-444-1845.

NOTE: Product improvement is a continuing endeavor at General Electric. Therefore, materials, appearance and specifications are subject to change without notice.

Pub. No. 49-8798
© 1996 GE Appliances
(N.D. 400) 9/96



General Electric Company
Louisville, KY 40225