

Thru-wall Installation Instructions

for Amana Compact Room Air Conditioner

Introduction

Amana Compact Room Air Conditioners can be installed through a wall or in a window. Window installations require an Instant Mount Mounting Kit (model number RAWK1). Window mounting kits can be purchased from Authorized Amana Dealers.

This instruction sheet provides guidelines for installing air conditioner through an outside wall.

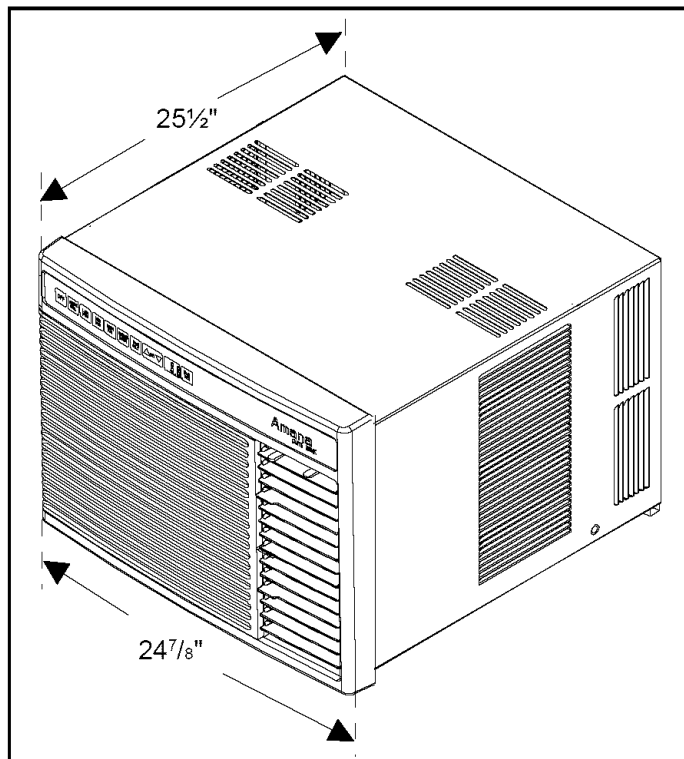


CAUTION

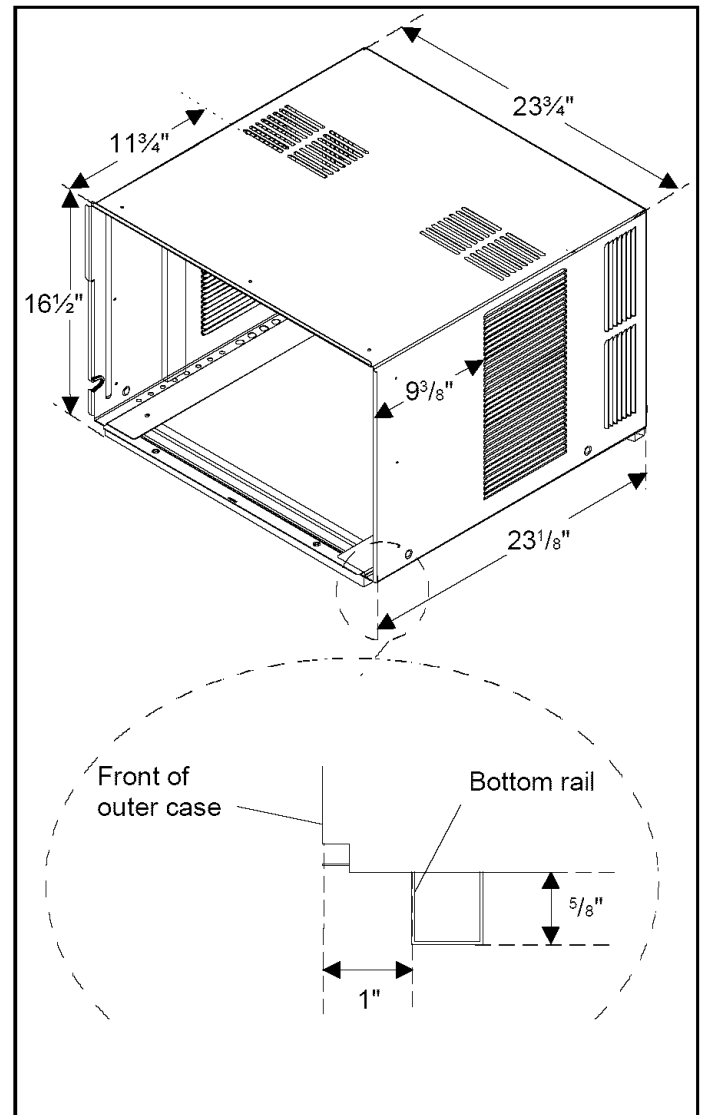
Installing air conditioner through a wall requires extensive carpentry and/or masonry experience. Through wall installations performed by inexperienced or unqualified individuals can result in costly damage to home.

Air Conditioner Dimensions

The following figures show the outside dimensions of air conditioner with chassis installed, and dimensions of outer case with chassis removed. Dimensions shown are with the top rail removed (bottom rail on case is permanently attached and is included in height dimensions).



Air Conditioner Dimensions
(with chassis installed)



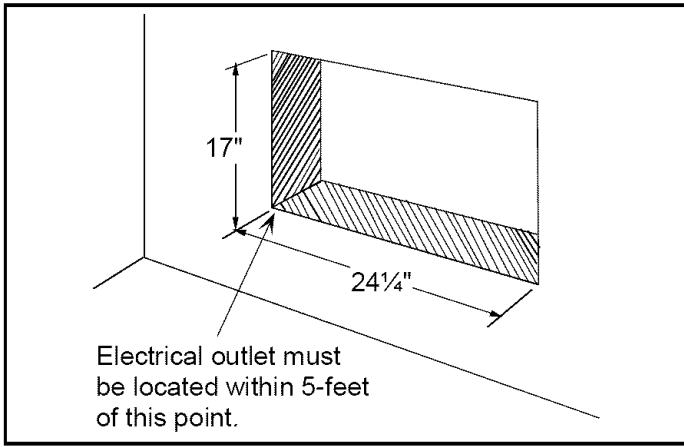
Outer Case Dimensions
(chassis removed)

General Instructions

All Amana Compact Room Air Conditioners feature a slide-out chassis. Chassis must be removed from outer case for installation.

A finished opening 24 1/4-inches wide x 17-inches high is recommended (this provides a finished opening 1/4-inch larger than the outer case on all sides). The lower left inside corner of opening must be within 5 feet of an appropriate electrical outlet (see Use and Care manual for air conditioner electrical requirements.)

When wall thickness exceeds 9 3/8-inches, opening must be modified to allow air to enter side louvers on case (see special instructions on back). Do not install air conditioner in walls thicker than 11 3/4-inches.



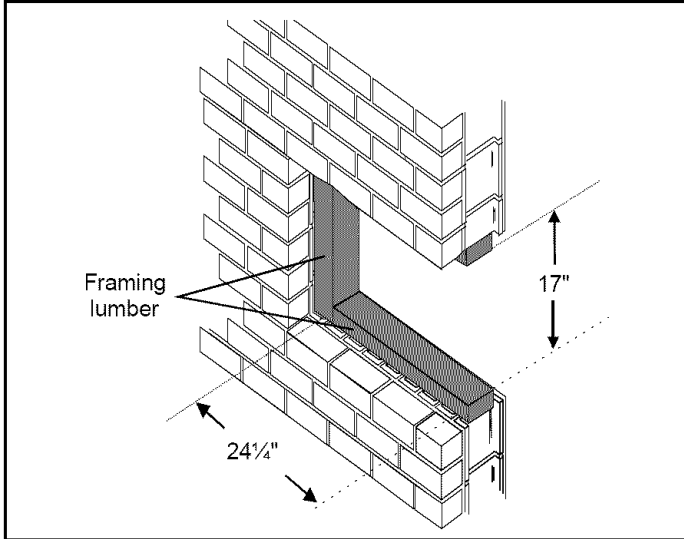
Dimensions of Finished Opening

Masonry Construction

In masonry walls, cut or build a finished opening 17-inches high by 24 1/4-inches wide. Secure outer case in wall with mortar or concrete nails driven through holes in sides of outer case (pre-drill holes in case before securing).

Brick Veneer or Frame Wall Construction.

Cut or build rough opening large enough to allow a framed, finished opening 17-inches high and 24 1/4-inches wide. Secure outer case to framing material with nails or screws driven through holes in sides of outer case (pre-drill holes in case before securing).



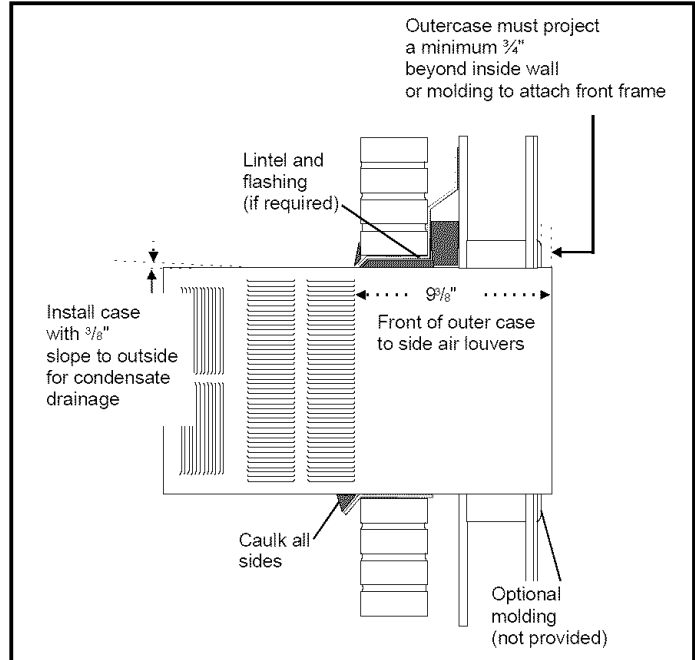
Framed/Finished Opening
(brick veneer or frame wall construction)

Placement of Outer Case in Opening

Center outer case in finished opening. Front of case must project 3/4-inch (minimum) beyond inside wall in order to attach air conditioner front frame.

If framing indoor side of finished opening with wood molding (or other decorative material), outer case must extend 3/4-inch (minimum) beyond molding in order to attach air conditioner front frame.

Back of case (outdoor side) must be at least 3/8-inch lower than front of case to ensure proper condensate drainage. Ensure case has proper slope before securing in place.

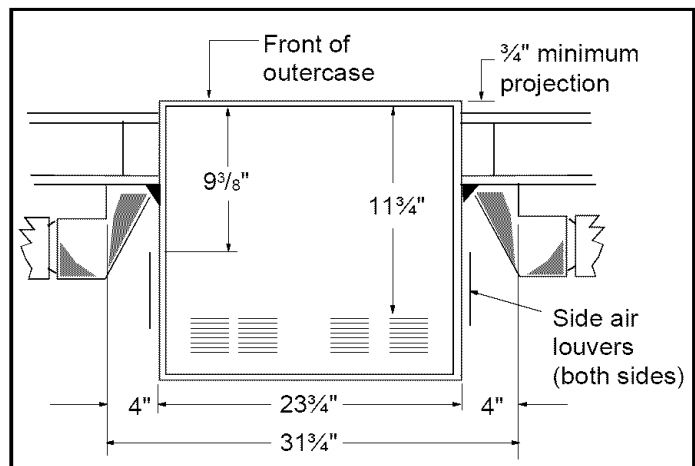


Installed Case
(brick veneer or frame wall construction shown)

Installation in Wall Thicker Than 9 3/8-inches

The side louvers in outer case provide ventilation to air conditioner compressor and fan motor and must not be blocked. When installing unit in a wall over 9 3/8-inches thick, provisions must be made in wall opening to ensure free air flow to the side louvers. This can be accomplished by chamfering the vertical portions of the outside opening as shown.

Ventilation louvers on top of case must not be obstructed. Do not attempt to install unit in walls thicker than 11 3/4-inches.



Chamfering Walls Thicker Than 9 3/8-inches
(top view)