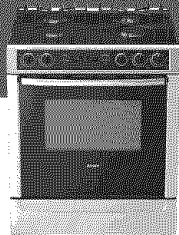


Installation Instructions

Installation et instruction

Installation e instrucción



Dual-Fuel Slide-In Range



BOSCH

Invented for life

fr Cuisinière mixte
es El combustible doble libera las gamas paradas



Table of Contents

Safety	1
Installation	4
Before You Begin	4
Installation Procedure	11
Service	24
Before Calling Service	24

Questions?

1-800-944-2904

www.boschappliances.com

5551 McFadden Ave.
Huntington Beach, CA 92649

We look forward to hearing from you!

Safety



IMPORTANT SAFETY INSTRUCTIONS

READ AND SAVE THESE INSTRUCTIONS

Important Safety Instructions

WARNING:

Do not repair or replace any part of the appliance unless specifically recommended in the manuals. Improper installation, service or maintenance can cause injury or property damage. Refer to this manual for guidance. All other servicing should be done by a qualified technician.

Related Equipment Safety

WARNING:

All ranges can tip. Injury to persons could result. Install anti-tip device packaged with range. Verify that the anti-tip devices are engaged. See installation instructions.



Figure 1: Tipping Precautions

- Remove all tape and packaging before using the appliance. Destroy the packaging after unpacking the appliance. Never allow children to play with packaging material.
 - Never modify or alter the construction of the appliance. For example, do not remove leveling legs, panels, wire covers or anti-tip brackets/screws.
 - To eliminate the risk of burns or fire by reaching over heated surface units, cabinet storage space located above the surface units should be avoided. If cabinet storage is to be provided, the risk can be reduced by installing a hood that projects horizontally a minimum of 5 inches beyond the bottom of the cabinet.
 - Verify that cabinets above the cooktop are a maximum of 13" (330 mm) deep.
-
- Do not lift appliance by door handle. Remove the door for easier handling and installation. See instructions in Use and Care Manual.
 - Unit is heavy and requires at least two people or proper equipment to move.
 - Hidden surfaces may have sharp edges. Use caution when reaching behind or under appliance.
-
- This appliance complies with one or more of the following Standards:
 - UL 858, The Standard for the Safety of Household Electric Ranges
 - UL 923, The Standard for the Safety of Microwave Cooking Appliances
 - UL 507, The Standard for the Safety of Electric Fans
 - ANSI Z21.1-2005, The American National Standard for Household Cooking Gas Appliances
 - CAN/CSA-C22.2 No. 113-M1984 Fans and Ventilators
 - CAN/CSA-C22.2 No. 61-M89 Household Cooking Ranges

Appliance Handling Safety

Safety Codes and Standards

It is the responsibility of the owner and the installer to determine if additional requirements and/or standards apply to specific installations.

- Installation must conform with local codes or, in the absence of local codes, with the National Fuel Gas Code, ANSI Z223.1/NFPA 54.
- The appliance must be electrically grounded in accordance with local codes or, in the absence of local codes, with the National Electrical Code ANSI/NFPA 70, latest edition. (In Canada, installation must be in accordance with the CAN 1-B149.1 and .2 Installation Codes for Gas Burning Appliances and/or local codes).

Electric Safety

- Before you plug in an electrical cord, be sure all controls are in the OFF position.
- For appliances equipped with a cord and plug, do not cut or remove the ground prong. It must be plugged into a matching grounding type receptacle to avoid electrical shock. If there is any doubt as to whether the wall receptacle is properly grounded, the customer should have it checked by a qualified electrician.
- If required by the National Electrical Code (or Canadian Electrical Code), this appliance must be installed on a separate branch circuit.
- Only a power-supply cord kit rated for this appliance and marked "for use with ranges" shall be used.
- Installer - show the owner the location of the circuit breaker or fuse. Mark it for easy reference.
- Important - Save these instructions for the local electrical inspector's use.
- Before installing, turn power OFF at the service panel. Lock service panel to prevent power from being turned ON accidentally.
- Be sure your appliance is properly installed and grounded by a qualified technician. Installation, electrical connections and grounding must comply with all applicable codes.

Gas Safety

- Install a gas shutoff valve near the appliance. It must be easily accessible in an emergency.
- Leak testing must be conducted by the installer according to the instructions in this manual.
- The appliance and its individual shutoff valve must be disconnected from the gas supply piping system during any pressure testing at pressures in excess of ½ psi (3.5 kPa).
- The appliance must be isolated from the gas supply piping system by closing its individual manual shutoff valve during any pressure testing of the gas supply piping system at test pressures equal to or less than ½ psi (3.5 kPa)
- The minimum supply pressure must be 1" water column above the manifold pressure printed on the data plate.

- The maximum supply pressure must not exceed 14.0 inches water column (34.9 Millibars).

WARNING: If the information in this manual is not followed exactly, a fire or explosion may result causing property damage, personal injury or death.

- Do not store or use combustible materials, gasoline or other flammable vapors and liquids in the vicinity of this or any other appliance
- WHAT TO DO IF YOU SMELL GAS:
 - Do not try to light any appliance.
 - Do not touch any electrical switch.
 - Do not use any phone in your building.
 - Immediately call your gas supplier from a neighbor's phone. Follow the gas supplier's instructions.
 - If you cannot reach your gas supplier, call the fire department. Installation and service must be performed by a qualified installer, authorized service agency or the gas supplier.

Figure 2: Gas Precautions

- This appliance has been CSA certified for safe operation up to a height of 10,000 ft. without any modifications. Exception: For use with propane the appliance must be converted per the LP conversion instructions.
- For Massachusetts installations:
 - Installation must be performed by a qualified or licensed contractor, plumber or gas fitter qualified or licensed by the state, province or region where this appliance is being installed.
 - Shut-off valve must be a "T" handle gas cock.
 - Flexible gas connector must not be longer than 36 inches.
- Installer - show the owner where the gas shut-off valve is located.
- The propane gas tank must be equipped with its own high pressure regulator. In addition, the regulator supplied with this unit must also be used.
- The appliance is shipped from the factory for use with natural gas. It must be converted for use with propane. A qualified technician or installer must do the conversion.

Propane Gas Installation

Installation

Before You Begin

Overview

Table 1: Overview

Step	Task
1.	Preparation
2.	Apply Foam Tape
3.	Install Backwall Trim (Optional)
4.	Connect Electric
5.	Connect Gas Supply
6.	Test for Gas Leaks
7.	Test the Installation

Proceed to the sections that follow for step-by-step instructions.

Tools and Parts Needed

- Range Power Supply Cord Kit (240V -30 Amp)
Note: Not necessary for Canadian installations; Canadian units are shipped with the power cord already installed.
- Measuring Tape
- Phillips Head Screwdriver
- 1-1/4" (31.8 mm) Wrench
- Pencil
- T-20 Torx Screwdriver
- Screws (2) and Anchors (2) for Anti-Tip Bracket (Style will vary depending on mounting surface)
- Level
- Drill and Drill Bit
- Soapy Water
- Pipe Wrench
- Teflon Tape
- Channel Lock Pliers
- Gas Leak Test Solution
- Gas Supply Line
- Gas Shut Off Valve
- Safety Gloves and Goggles
- Tape (Optional)
- Cloth or Cardboard (Optional - to Protect Floor)

Additional Parts Needed For Hard Wire Installations

- Flexible Conduit
- Torque Wrench
- **Note:** Power Supply Cord Kit Not Necessary For Hard Wire Installations

Parts Included

- Anti-Tip Bracket
 - Foam Tape
 - Backwall Trim
 - Screws for Backwall Trim (2)
 - Terminal Lugs (For Use With Hard Wire Installations)
- Note:** not necessary for Canadian installations

General Information

Overall Dimensions

Table 2: Overall Dimensions

Dimension	Inches	Centimeters
Height	36"	91.44 cm
Width	31"	78.74 cm
Depth	25 5/8"	65.09 cm

Level

For best results, cabinets, countertops walls and floors in the installation location should be as level and plumb as possible. Variance may cause damage to countertops and floors during installation, could jeopardize the seal around the cooktop and may adversely affect cooking and baking performance.

Preparation

Prepare Unit

Remove all packaging material and discard.



WARNING:

Remove all tape and packaging before using the appliance. Destroy the packaging after unpacking the appliance. Never allow children to play with packaging material.



Tip:

Place the range on a piece of the cardboard to protect floors.

Remove drawer and set aside.

1. Pull drawer all the way out.
2. Locate locking clips on the rails, one on each side.
3. Push up on the clip on the left rail. Pull the drawer out until clip locks into place.
4. Push down on the clip on the right rail. Pull the drawer out until clip locks into place.
5. Pull the drawer straight out and set aside.
6. Push rails into range.

Remove oven door and set aside.**WARNING:**

When removing the door:

- Make sure oven is cool and power to the oven has been turned off before removing the door. Failure to do so could result in electrical shock or burns.
- The oven door is heavy and fragile. Use both hands to remove the oven door. The door front is glass. Handle carefully to avoid breaking.
- Grasp only the sides of the oven door. Do not grasp the handle as it may swing in your hand and cause damage or injury.
- Failure to grasp the oven door firmly and properly could result in personal injury or product damage.
- To avoid injury from hinge bracket snapping closed, be sure that both levers are securely in place before removing door. Also, do not force door open or closed - the hinge could be damaged and injury could result.

1. Be sure to read the above WARNING before attempting to remove oven door.
2. Open the door all the way.
3. Flip levers on hinges (one on each side) toward you.

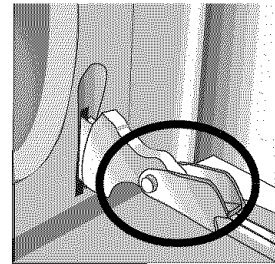
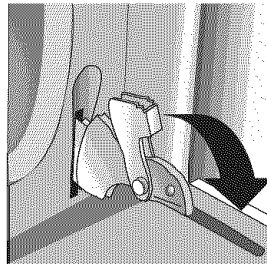
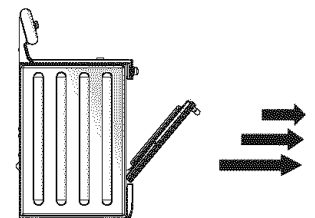


Figure 3: Hinge Positions

4. Close the door until it stops. It will be about half-way open.
5. Holding the door firmly on both sides and using both hands, pull the door straight out of the hinge slots. Hold firmly, the door is heavy.
6. Place the door in a stable location.

**Electrical Requirements**

Refer to data plate for more information. See "Product Data Plate" on page 24 for data plate location.

We recommend that the range be installed with a power cord set (not supplied). The electrical rating of the power cord set must be 120/240 volt, 30 amperes minimum. The power cord set shall be marked "For Use with Ranges." Always use a new power cord.

**Note:**

In Canada, the range is shipped from the factory with the range cord already installed.

Ranges are dual rated for use on either 120/240 VAC or 120/208 VAC. Check the data plate for the kW rating. Reference the kW rating in the table below to determine amperage requirements.

Table 3: Electrical Specifications

kW Rating		Hz	Amps Req'd
120/240V	120/208V		
6.2	4.8	60	30

The electrical outlet must be located in the shaded space shown in “Gas Supply Line and Electrical Outlet Placement” on page 8.

Verify that wiring to house is adequate

Contact your local utility company to verify that the present electric service to your home is adequate. In some instances, the size of the wiring to the house and service switch must be increased to handle the electrical load demanded by the range.

Most wiring codes require a separate circuit with separate disconnect switch and fuses either in the main entrance panel or in a separate switch and fuse box.

The range requires a minimum of a three wire 120/240 or 120/208 volt, 30 AMP, 60 Hz AC circuit. Check local codes for proper amperage ratings. A four wire connection is preferred.

Most local building regulations and codes require that electrical wiring be done by licensed electricians. Be sure to install your range according to the electric codes in place in your region.

Gas Requirements



CAUTION:

Make certain that gas shutoff valve and all burner controls are in the OFF position before beginning.

Shut off main gas supply valve before disconnecting the old range and leave it off until the new hook-up has been completed. **Don't forget to relight the pilot on other gas appliances when you turn the gas back on.**

The gas supply line and electrical outlet must be located in the shaded space as shown in Figure 4: Gas Supply Line and Electrical Outlet Placement.

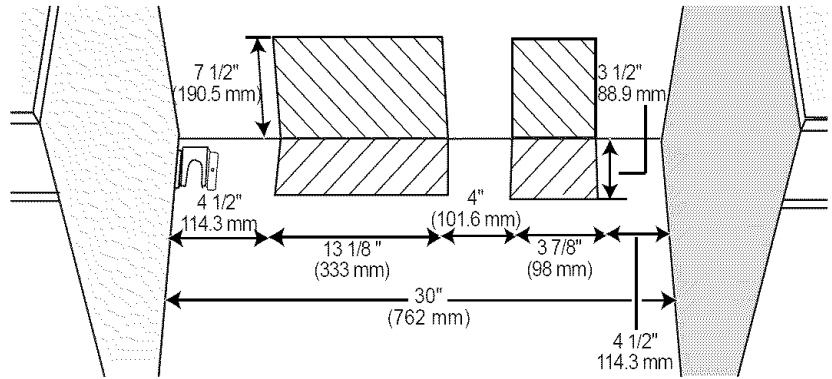


Figure 4: Gas Supply Line and Electrical Outlet Placement

If not already present, install gas shut off valve in an easily accessible location. Make sure all users know where and how to shut off the gas supply to the range.



Note:

The installer should inform the consumer of the location of the gas shutoff valve.

Important note for LP users

The range is shipped from the factory for use with natural gas. For use with propane (LP) gas, your range must first be converted using the LP conversion kit.

Cabinet Requirements

This unit is designed for installation near adjacent walls and projecting surfaces constructed of combustible materials. Prepare the countertop and cabinets as shown in Figure 5: Cutout Requirements - Typical Installation.

Allow a minimum of 30 inches between cabinets where range is to be installed¹.

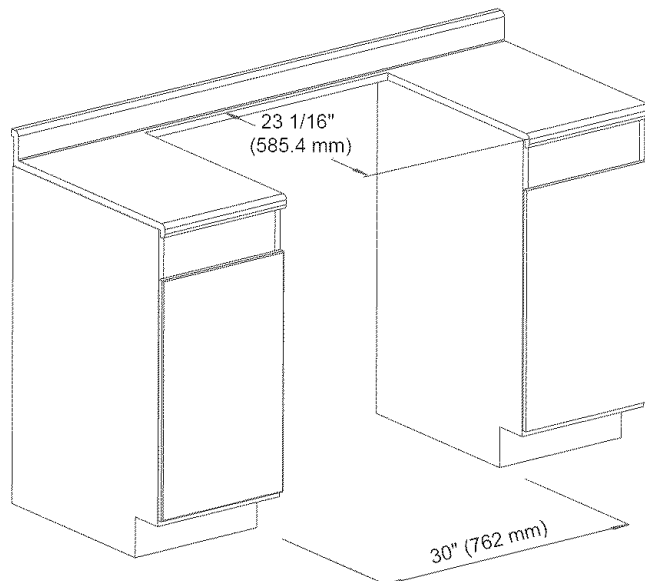


Figure 5: Cutout Requirements - Typical Installation



Note:
The slide-in range can also replace a freestanding range. In this case, verify that the opening is at least 30 inches.

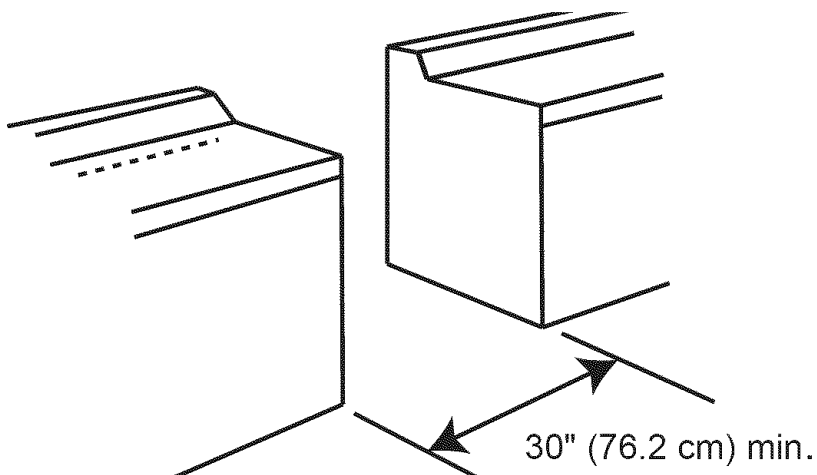


Figure 6: Cutout Requirements - Replacing a Free-Standing Model

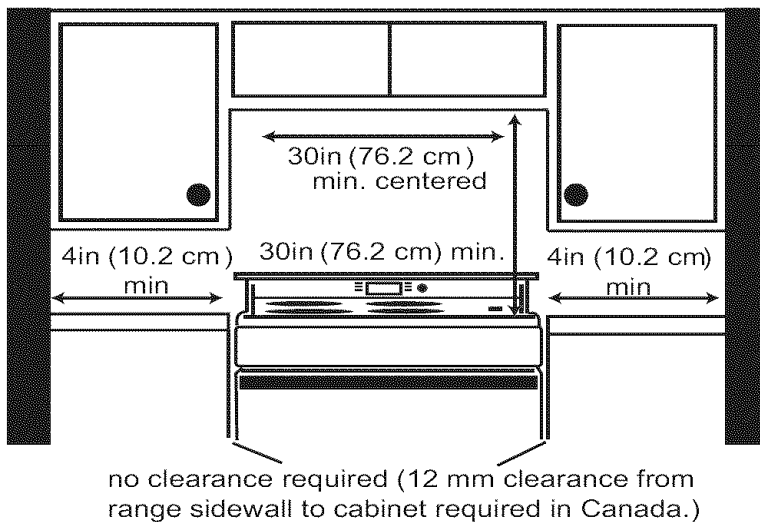


Figure 7: Cabinet Preparation

Required Clearance¹



WARNING:

To eliminate the risk of burns or fire by reaching over heated surface units, cabinet storage space located above the surface units should be avoided. If cabinet storage is to be provided, the risk can be reduced by installing a hood that projects horizontally a minimum of 5 inches beyond the bottom of the cabinet.

¹. In Canada, a clearance of 12 mm from range sidewall to cabinet is required.
1. Instructions were determined using standard American cabinets. Standard base cabinets measure 36" high x 24" deep. Cabinets over the cooking surface and cabinets adjacent to those over the cooking surface measure 13 inches deep from backwall. If nonstandard cabinets are used, care should be taken to alter dimensions accordingly.

From cooktop to materials above: There must be a minimum clearance of 30 inches between the top of the cooking surface and the bottom of an unprotected wood or metal cabinet. See Figure 7: Cabinet Preparation.

24 inches is acceptable when the bottom of the wood or metal cabinet is protected by (a) not less than 1/4" of flame retardant material which must be covered with (b) not less than No. 28 MSG sheet metal, 0.015 inch stainless steel¹ or 0.024 inch aluminum or copper.

From range walls to adjacent materials: See Figure 7: Cabinet Preparation. No clearance is required from unit walls to adjacent vertical combustible walls on rear, right or left.¹

Clearance from range top to adjacent vertical walls must be at least 4".



Note:

Some cabinet finishes cannot survive the temperatures allowed by safety standards, particularly self-cleaning ovens; the cabinets may discolor or stain. This is most noticeable with laminated cabinets.

Prepare Walls and Floor

Seal any holes in the walls or floor. Remove any obstructions (extra electrical or gas connections, etc.) so that range will rest against wall properly.

Countertop Requirements

Countertops must be smooth and level.

Mounting Requirements

Install Anti-Tip Bracket

1. Measure to locate bracket position as shown in See Figure 8: Anti-Tip Bracket.
2. Secure bracket with 2 screws adequate for mounting surface (i.e., for wood floor use wood screws, for concrete floor use concrete anchors and screws).

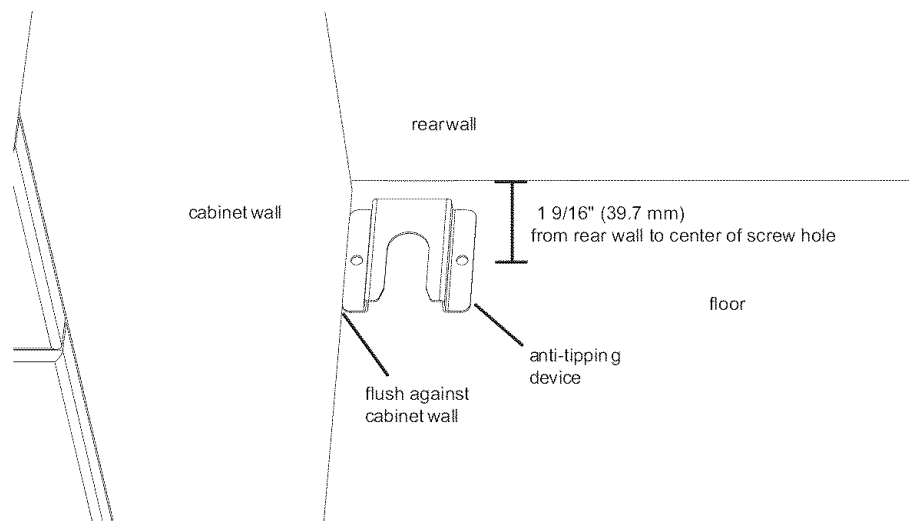


Figure 8: Anti-Tip Bracket

Ventilation Recommendations

We strongly recommend the installation of a ventilation hood above this appliance. For most kitchens a certified hood rating of not less than 300 CFM is recommended. The range hood must be installed according to instructions furnished with the hood.

¹. In Canada, a clearance of 12 mm from range sidewall to cabinet is required.

Installation Procedure

Apply Foam Tape

Apply foam tape to underside of cooktop trim in one continuous piece.

Install Backwall Trim



Note:

This step is only required if the countertop does not connect behind the range (i.e.; when replacing a free-standing range). See "Cabinet Requirements" on page 8 for more information

Install 2 screws through holes in trim and in range backwall. See Figure 9: Backwall Trim Strip and Figure 10: Install Backwall Trim Strip

Backwall
Trim Strip

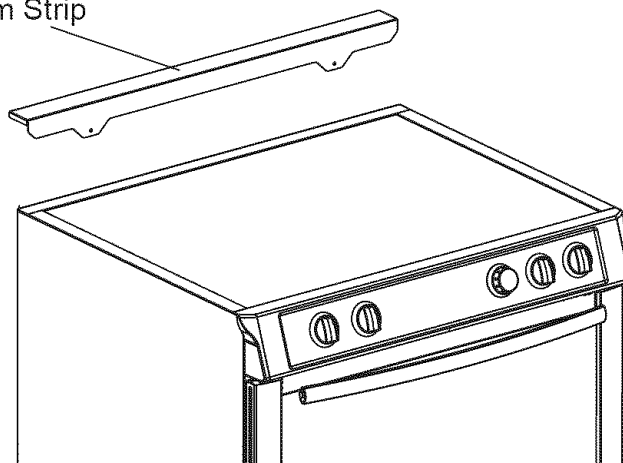


Figure 9: Backwall Trim Strip

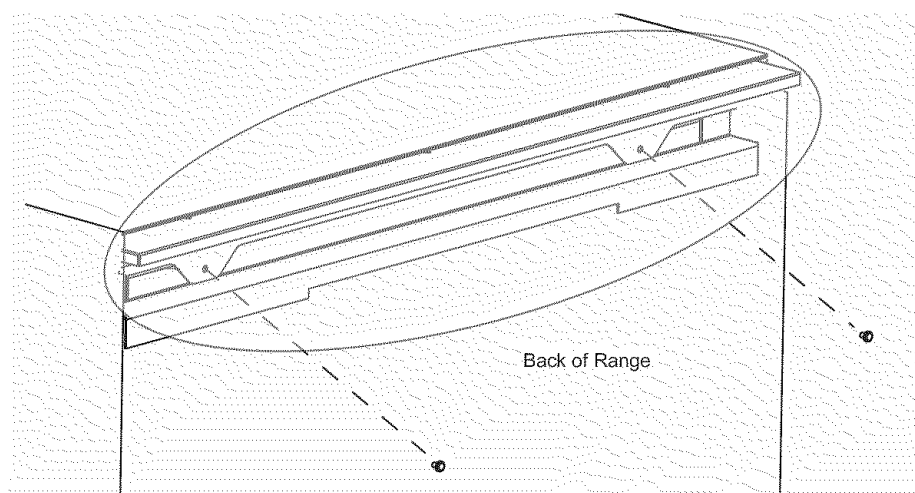


Figure 10: Install Backwall Trim Strip

Connect Electric

There are two possible electrical connections:

1. Four wire range cord

2. Three wire range cord

The four wire range cord connection is the recommended method, but where local codes permit, three wire connections are also acceptable.



Note:

In Canada, the range is shipped from the factory with the range cord already installed. Continue to "Connect Gas Supply" on page 16.

For installations other than those in Canada, connect the range cord at the terminal block (See next page for detailed instructions). Access the terminal block by removing the cover in the lower right hand corner of the range back panel.

Install Strain Relief

Place strain relief in knockout below terminal block. See Figure 11: Strain Relief Knockout.



WARNING:

The strain relief provided with your range cord must be properly installed.

Strain reliefs vary. Carefully read and follow the instructions included with your strain relief.

1. In the knockout panel below the terminal block, remove the knockout that fits your strain relief.
2. Feed range cord through hole and strain relief up to terminal block. Allow for slack in the cord between the strain relief and terminal block.
3. Once cord length/ slack has been adjusted, attach strain relief per instructions included with strain relief.

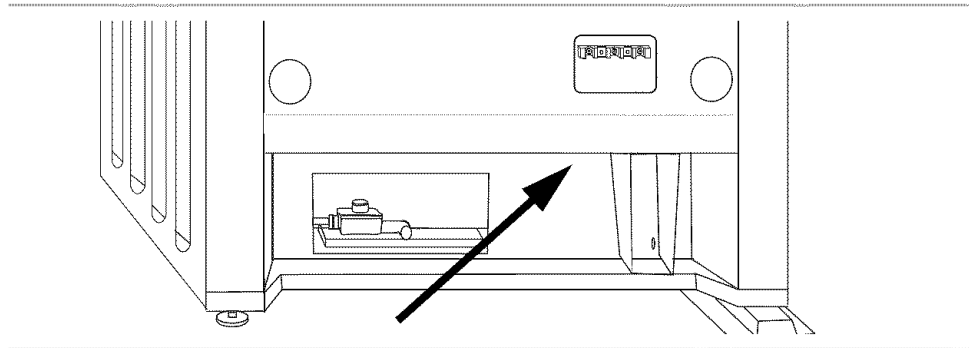


Figure 11: Strain Relief Knockout



Tip:

The knockout panel below the terminal block can be removed from the range to install the strain relief: Remove knockout panel from range, install strain relief in panel and reattach. DO NOT remove entire range back panel.

**WARNING:**

Risk of Electric Shock or Fire. Frame grounded to neutral through a ground strap. Grounding through the neutral conductor is prohibited for new branch-circuit installations (1996 NEC), mobile homes, and recreational vehicles, or in an area where local codes prohibit grounding through the neutral conductor.

For installations where grounding through the neutral conductor is prohibited, (a) disconnect the link from the neutral, (b) use grounding terminal or lead to ground unit, (c) connect neutral terminal to lead branch circuit neutral in usual manner (when the appliance is to be connected by means of a cord kit, use 4-conductor cord for this purpose).

Use only cord kits rated 125/250 volts (minimum), 30 amperes and labeled "For Use with Ranges". Strain relief provided with cord must be installed per instructions included with cord.

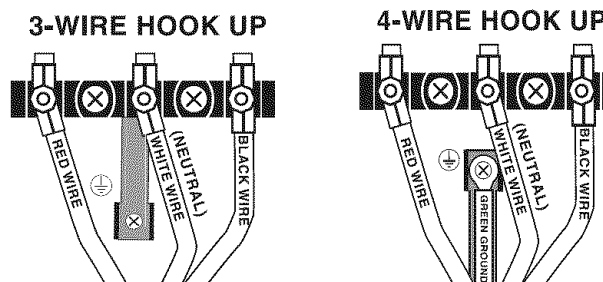


Figure 12: Grounding Requirements

**WARNING:**

To prevent electrical shock, the grounding prong on the range cord should not be cut or removed under any circumstances. It must be plugged into a matching grounding type receptacle and connected to a correctly polarized 240- Volt circuit. If there is any doubt as to whether the wall receptacle is properly grounded, have it checked by a qualified electrician.

Four Wire Range Cord Connection (Recommended Method)

1. Disconnect electrical power at breaker box.
2. Remove the terminal block cover to expose the terminal block.

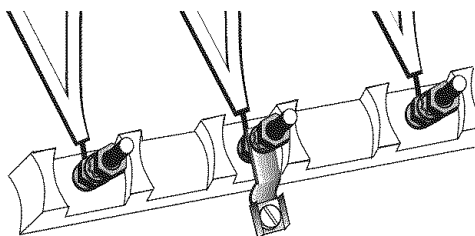


Figure 13: 4 Wire Connection

3. Remove top nut, star washer, and round washer from each post.



Note:
DO NOT remove last round washer, last nut or internal wiring leads.

4. Remove screw from bottom end of ground strap.
5. Remove ground strap from center post, rotate so that wide end is at top and attach wide end to range through hole below junction box. Attach green wire on top of ground strap. Tighten Screw.

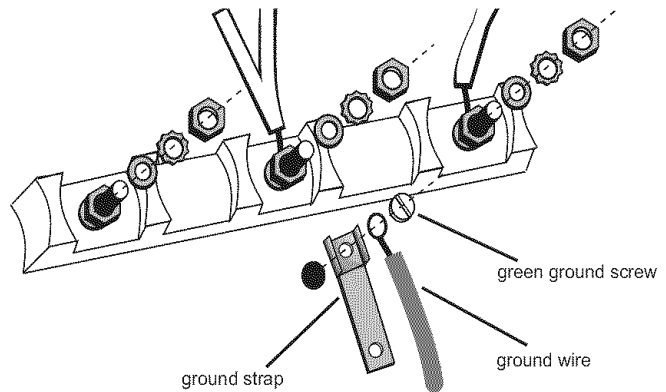


Figure 14: Four Wire Range Cord Connection - Ground Strap and Wire

6. Attach red wire, round washer, star washer and nut IN THIS ORDER to left post.
7. Attach white wire, round washer, star washer and nut IN THIS ORDER to center post.
8. Attach black wire, round washer, star washer and nut IN THIS ORDER to right post.

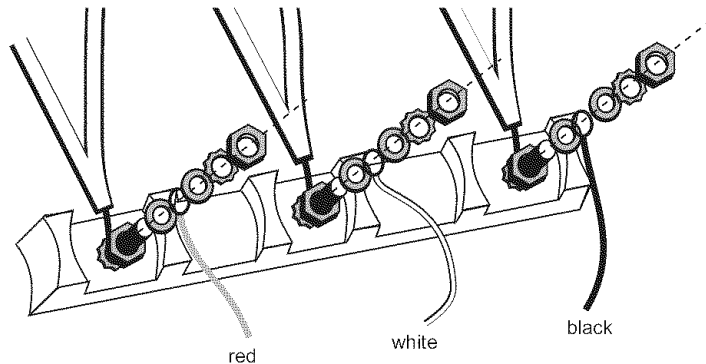


Figure 15: Four Wire Range Cord Connection (continued)

9. Tighten all connections securely and replace terminal block cover.
10. Properly secure strain relief (see previous section).



Note:
DO NOT plug in range at this time.

Three Wire Range Cord Connection

The Four Wire Connection (above) is preferred, but where local codes and ordinances permit grounding through neutral and where conversion to four wire is

impractical, the unit may be connected to the power supply via a three wire connection.

1. Disconnect electrical power at breaker box.
2. Remove the terminal block cover to expose the terminal block.

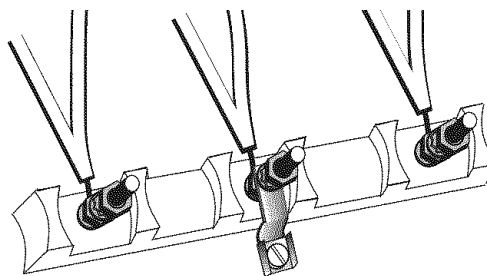


Figure 16: Terminal Block

3. Remove top nut, star washer, and round washer from each post.



Note:

DO NOT remove last round washer, last nut or internal wiring leads.

4. Attach white wire, round washer, star washer and nut IN THIS ORDER on top of ground strap on center post.
5. Attach red wire, round washer, star washer and nut IN THIS ORDER to left post.
6. Attach black wire, round washer, star washer and nut IN THIS ORDER to right post.

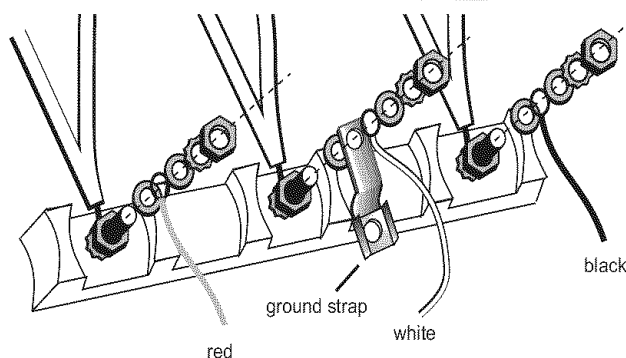


Figure 17: Three Wire Connection

7. Tighten all connections securely and replace terminal block cover.

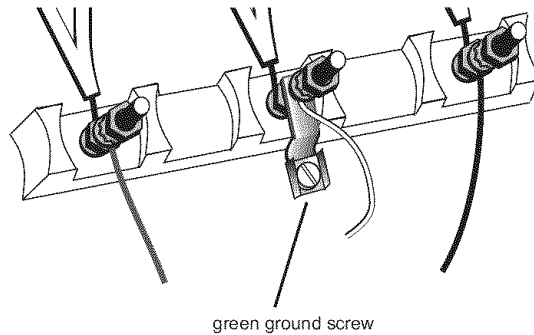


Figure 18: Completed Three Wire Range Cord Connection

8. Properly secure strain relief. See “Install Strain Relief” on page 12 for detailed instructions.



Note:
DO NOT plug in range at this time.

Connect Gas Supply

Shut off main gas supply valve before disconnecting the old range and leave it off until the new hook-up has been completed. **Don't forget to relight the pilot on other gas appliances when you turn the gas back on.**

The range can be installed using rigid pipe or a CSA International-certified flexible metal appliance connector. If using a flexible connector, always use a new connector.

Apply pipe joint compound or Teflon¹ tape appropriate for use with LP gas and Natural gas around all male pipe threads to prevent leaks.

The gas connection is located below the back panel of the range. See “Gas Connection Location” on page 16. It is accessible through the drawer access panel or from the back of the range. To reach access panel, remove drawer.

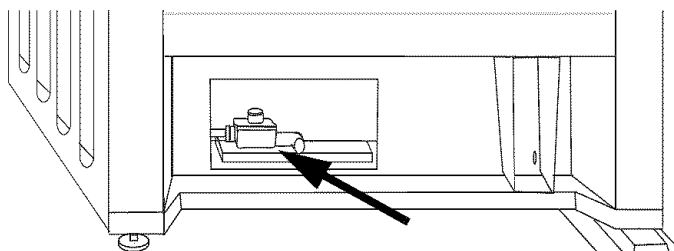


Figure 19: Gas Connection Location

Important note for LP users

The range is shipped from the factory for use with natural gas. For use with propane (LP) gas, your range must first be converted using the LP conversion kit.

Flexible Connector Method

If using rigid pipe, skip to “Rigid Pipe Method” on page 19.

¹.Teflon is a registered trademark of DuPont

Attach Connector

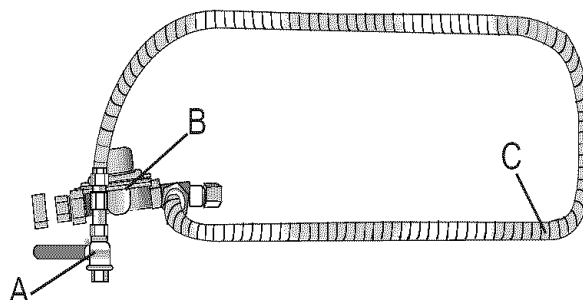


Figure 20: Flexible Connector Method

Table 4: Flexible Connector Method

Letter	Item
A	Gas Shut Off Valve
B	Regulator
C	Flexible Connector

1. Install male 1/2" flare adaptor at the 1/2" NPT internal thread of the range inlet. Use a backup wrench on the elbow fitting to avoid damage.
2. Install male 1/2" or 3/4" flare union adapter on the internal thread of the manual shutoff valve.
3. Connect flexible metal appliance connector.

Plug in Range Cord

1. Make sure circuit breaker is off and then plug range cord into electrical outlet.
2. Connect flexible connector at gas inlet valve.



CAUTION:

Before you plug in an electrical cord, be sure all controls are in the Off position.

Adjust Leveling Legs

1. Line up range in front of opening.
2. Measure back left corner of opening from floor to top of countertop.
3. Measure back left corner of range to bottom of cooktop trim. Adjust leveling leg until this height is the same as the corner dimension.
4. Repeat in right back corner.
5. Adjust front leveling legs so that the bottom of the cooktop trim is 1/2" higher than the corresponding countertop surface.

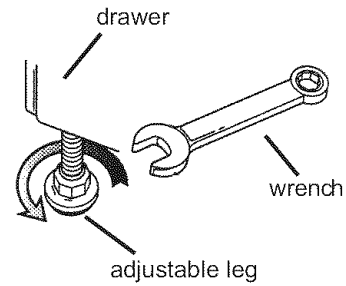


Figure 21: Adjust the Front Leveling Leg

Slide Range into Opening

1. Plug in power cord.
2. Slide range into opening, being careful not to damage countertops, floors, or the range drawer front. Do not apply pressure to cooktop when sliding into position. Be careful not to crimp flexible connector.



Tip:

1. If the range does not slide easily:
Use soapy water to dampen the following pressure points:
 - countertop
 - foam tape
 - floor under range legs
2. Remove drawer and oven door to prevent damage
3. To prevent damage to the appliance, push on the frame around the oven cavity opening.

3. Wipe up soapy water.

Check Back of Range for Proper Installation

1. When properly installed, the cooktop trim around the back of the range will rest lightly on the countertop.



Note:

When replacing a free-standing model, the backwall trim strip should be flush with the wall.

2. There should not be any gap between the countertop and the trim; however, the weight of the range must not rest on the countertop. Look under the range to verify that both back legs are resting solidly on the floor. Also verify that the left range leg is under the anti-tip bracket.



CAUTION:

Verify that the weight of the range is not resting on the countertop. This could result in damage to the countertop and the appliance.

3. If the back legs are not resting solidly on the floor or the left leg is not under the anti-tip bracket, slide range out, adjust legs and slide back in.

Adjust Front of Range for Proper Installation

1. Adjust front leveling legs so that the cooktop trim rests snugly against the countertop all the way around.
2. Verify that both front legs are resting solidly on the floor.
3. Use a level to verify that the range is level and plumb.
4. Carefully tip range forward to ensure that anti-tip bracket engages and prevents tip-over.

The gas connection is complete. Proceed to “Test for Gas Leaks” on page 21.

If using a flexible connector, return to “Flexible Connector Method” on page 16.

Rigid Pipe Method

Attach Rigid Pipe

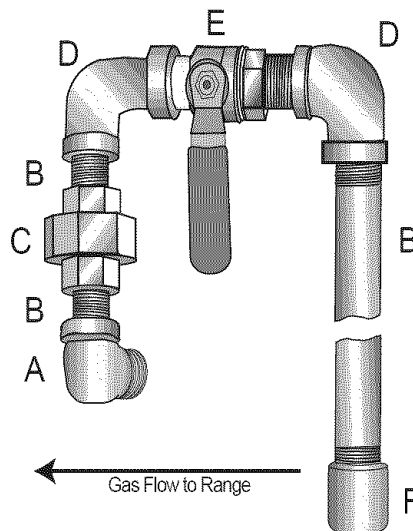


Figure 22: Rigid Pipe Method

Table 5: Rigid Pipe Method

Letter	Item
A	Elbow; Connect to regulator here
B	Pipe Nipple
C	Union
D	Elbow
E	Gas Shut Off Valve
F	1/2" to 3/4" Gas Pipe

The configuration of the rigid pipe connection will vary depending on the location of the gas pipe stub. See Figure 22: Rigid Pipe Method for examples.

Adjust Leveling Legs

1. Make sure circuit breaker is off and then plug range cord into electrical outlet.



CAUTION:

Before you plug in an electrical cord, be sure all controls are in the **Off** position.

2. Line up range in front of opening.
3. Measure back left corner of opening from floor to top of countertop.
4. Adjust front leveling legs so that the bottom of the cooktop trim is ½" higher than the corresponding countertop surface.

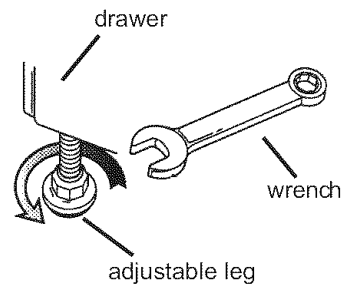


Figure 23: Adjust the Front Leveling Leg

5. Repeat in right back corner.
6. Adjust front leveling legs so that the bottom of the cooktop trim is ½" higher than the corresponding countertop surface.

Slide Range into Opening

1. Plug in power cord.
2. Slide range into opening, being careful not to damage countertops, floors, or the range drawer front. Do not apply pressure to cooktop when sliding into position.



Tip:

1. If the range does not slide easily, use soapy water to dampen the following pressure points:
 - countertop
 - foam tape
 - floor under range legs
2. Remove drawer and oven door to prevent damage

Check Back of Range for Proper Installation

1. When properly installed, the cooktop trim around the back of the range will rest lightly on the countertop.



Note:

When replacing a free-standing model, the backwall trim strip should be flush with the wall.

2. There should not be any gap between the countertop and the trim; however, the weight of the range must not rest on the countertop. Look under the range

to verify that both back legs are resting solidly on the floor. Also verify that the left range leg is under the anti-tip bracket.



CAUTION:

Verify that the weight of the range is not resting on the countertop. This could result in damage to the countertop and the appliance.

3. If the back legs are not resting solidly on the floor or the left leg is not under the anti-tip bracket, slide range out, adjust legs and slide back in.

Adjust Front of Range for Proper Installation

1. Adjust front leveling legs so that the cooktop trim rests against the countertop all the way around.
2. Verify that both front legs are resting solidly on the floor.
3. Use a level to verify that the range is level and plumb.
4. Push range back into position ensuring that range leg slides under the anti-tip bracket. The range will sit 3/4" away from the wall when properly installed.
5. Carefully tip range forward to ensure that anti-tip bracket engages and prevents tip-over.

Complete Gas Connection

1. Connect pipe to range at union. Access the connection through the access panel behind the drawer.

The gas connection is complete. Proceed to "Test for Gas Leaks" on page 21.

Test for Gas Leaks

Leak testing is to be conducted by the installer according to the instructions given in this section.



Note:

Be careful not to apply pressure to warming drawer element during rigid pipe testing.

1. Turn on gas.
2. Apply a non-corrosive leak detection fluid. Include all joints and fittings between the shutoff valve and the range. Include gas fittings and joints in the range if connections may have been disturbed during installation.
3. **Inspect for leaks. Bubbles appearing around fittings and connections indicate a leak.**
4. If a leak appears, turn off supply line gas shutoff valve and tighten connections.
5. Retest for leaks. Turn gas back on at supply line shutoff valve and reapply leak detection fluid.
6. When no bubbles appear, test is complete. Wipe off all detection fluid residue.



CAUTION:

Never check for leaks with a flame.

Do not continue to the next step until all leaks are eliminated.

Test the Installation

Turn on power at breaker



CAUTION:

If the display flashes and beeps, the polarity of the wiring may be reversed. Reversed polarity can damage the range and can result in electrical shock hazard. Immediately switch off power at the breaker and return to “Connect Electric” on page 11.

Test self-clean lock

Set oven to self-clean. Pull gently on oven door to verify that door is locked. Cancel self-clean mode.

Test Rangetop Burners:

Each burner must be tested for proper lighting, proper flame characteristics on the low setting and proper flame characteristics on the high setting.

Test for proper ignition:

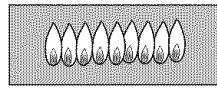
1. Push down and turn the knob to the flame symbol.
2. Verify that the ignitor/spark module clicks.
3. Once the air has been purged from the supply lines, verify that the burner lights within four (4) seconds. After burner lights, turn knob to the off position.
4. Test each rangetop burner in this fashion. Call Service if any of the burners do not light.

Test flame characteristics on the low setting:

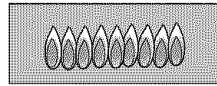
1. Push in and turn the knob to the flame symbol until the burner ignites.
2. Turn knob quickly to the low setting.
3. Verify that the flame is:
 - A minimum height (approximately 1/4" or 6 mm).
 - Steady (The flame should not go out, lift or blow off of the burner. It should carry over, or surround, the entire burner.)
 - The right color. It should be blue with an inner and outer cone. See Figure 24: Checking Flame Characteristics for more information.
4. Test each rangetop burner in this fashion. If any flame goes out, does not carry over properly or is too large, contact service.

Test flame characteristics on the high setting:

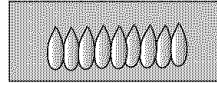
1. Push in and turn the knob to the flame symbol until the burner ignites.
2. Turn knob to the high setting.
3. Verify that the flame is:
 - Steady (The flame should not go out, lift or blow off of the burner. It should carry over, or surround, the entire burner.)
 - The right color. It should be blue with an inner and outer cone. See Figure 24: Checking Flame Characteristics for more information.
4. Test each rangetop burner in this fashion. If any flame burns yellow or does not carry over properly, contact service.



Yellow Flames:
Further adjustment is required.



Yellow Tips on Outer Cones:
Normal for LP Gas.



Soft Blue Flames:
Normal for Natural Gas.

If the flame is completely or mostly yellow, verify that the regulator is set for the correct fuel. After adjustment, retest.

Some yellow streaking is normal during the initial start-up. Allow unit to operate 4-5 minutes and re-evaluate.

Figure 24: Checking Flame Characteristics

When correct color, carryover and size are verified, installation is complete.

Service

Before Calling Service

See Use and Care Manual for troubleshooting information. Refer to the Warranty in the Use and Care Manual.

To reach a service representative, see the contact information at the front of the manual. Please be prepared with the information printed on your product data plate when calling.

Product Data Plate

The data plate shows the model and serial number. Refer to the data plate on the appliance when requesting service. It is located on the frame near the drawer.

Open the drawer to view it.

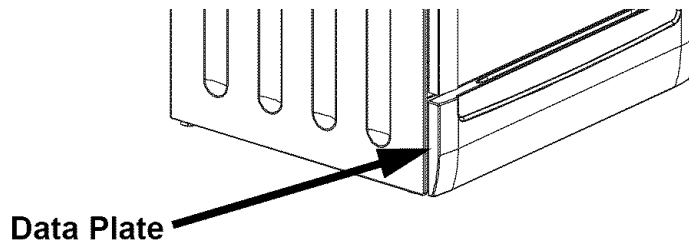


Figure 25: Data Plate



BOSCH

5551 McFadden Avenue, Huntington Beach, CA 92649 • 800-944-2904 • www.boschappliances.com

9000135014 (No ECO) • 10089 Rev C • 06/06 • © BSH Home Appliances Corporation • Litho U. S. A.