

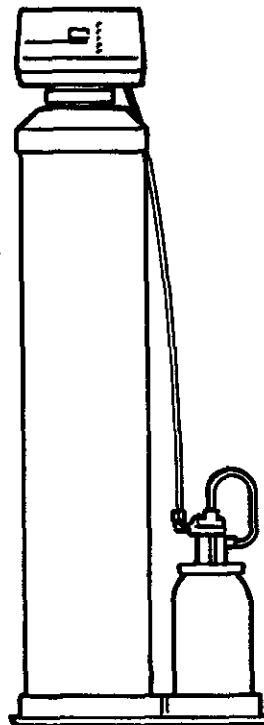
SEARS

Kenmore

Automatic Iron Filter

MODEL NO. 625.349223

OWNERS MANUAL



- WARRANTY —
- START UP/SETTING TIMER —
- HOW IT WORKS —
- CARE OF —
- SPECIFICATIONS —
- REPAIR PARTS —

(Use plastic bag and tie provided, to hang manuals nearby the filter for future reference.)

Sears, Roebuck and Co., Chicago, IL 60684 U.S.A.

PRINTED IN U.S.A.

WARRANTY

SEARS RESIDENTIAL WATER FILTER FULL ONE YEAR WARRANTY ON FILTER

For one year from the date of purchase, when this water filter is installed and maintained in accordance with our instructions, Sears will repair, free of charge, defects in materials or workmanship in this water filter.

FULL FIVE YEAR WARRANTY AGAINST LEAKS

For five years from the date of purchase, Sears will furnish and install a new current model water filter tank, free of charge, if the tank develops a leak.

TO OBTAIN WARRANTY SERVICE, SIMPLY CONTACT THE NEAREST SEARS SERVICE CENTER THROUGHOUT THE UNITED STATES. "This warranty applies only while this product is in use in the United States."

This warranty gives you specific legal rights, and you may have other rights which vary from state to state.

Sears, Roebuck and Co., D/817 WA, Hoffman Estates, IL 60179

If you want your water filter professionally installed, talk to your Sears Salesman. He will arrange for a prompt, quality installation by Sears Authorized installers.

SEARS INSTALLATION POLICY

All installation labor arranged by Sears shall be performed in a neat, workmanlike manner in accordance with generally accepted trade practices. Further, all installations shall comply with all local laws, codes, regulations and ordinances. Customer shall also be protected, during installation, by insurance relating to Property Damage, Workman's Compensation and Public Liability.

SEARS INSTALLATION WARRANTY

In addition to any warranty extended to you on the Sears merchandise involved, which warranty becomes effective the date the merchandise is installed, should the workmanship of any Sears arranged installation prove faulty within one year, Sears will, upon notice from you, cause such faults to be corrected at no additional cost to you.

FACTS AND FIGURES TO KEEP

Fill in the blanks below and keep this book in a safe place so you always have these facts.

Water Filter Model No. † _____

Serial Number _____

Date Installed _____

Iron Content _____ Parts Per Million

*pH _____ Taste And/Or Odor _____

Water Pressure _____ Pounds /Square Inch

Water Flow Rate _____ Gallons Per Minute

†The model number is on the rating decal, located on the back of the filter top cover.

TABLE OF CONTENTS

	PAGE NO.
SECTION 1	WATER FILTER START UP
A. SAFETY GUIDES	4
B. CHECK LIST OF ALL STEP-BY-STEP GUIDES TO INSTALL	5
C. SANITIZING THE WATER FILTER	6
D. PROGRAM THE TIMER	7-8
E. ADJUSTMENT FOR POTASSIUM PERMANGANATE USE	9
SECTION 2	HOW YOUR WATER FILTER WORKS
A. FACE PLATE TIMER FEATURES	10-11
B. IRON IN WATER/HOW FILTER REMOVES IT	12-13
SECTION 3	CARE OF YOUR FILTER
A. CHANGING THE POTASSIUM PERMANGANATE BOTTLE	14
B. CLEANING THE NOZZLE & VENTURI	15
C. KEEP THE FILTER FROM FREEZING	16
D. HELPFUL HINTS CHECKLIST (SERVICE)	17
SECTION 4	OTHER THINGS TO KNOW
A. DIMENSIONS/SPECIFICATIONS	18
SECTION 5	SERVICER'S TECH INFORMATION
A. ELECTRICAL CONNECTIONS	19
B. RECHARGE CYCLE TIMES AND DRAIN FLOW RATES	20
C. DIAGNOSTICS	21
D. "QUICK-CHECK" TROUBLESHOOTING	22
E. ROTARY VALVE SERVICE	23
F. WATER FLOW THROUGH THE FILTER VALVE	24-26
SECTION 6	REPAIR PARTS
	28-31

SECTION 1

1A. SAFETY GUIDES

▲ Read all steps, guides and rules carefully before installing and using your new water filter. Follow all steps exactly to correctly install. Failure to follow them could cause personal injury or property damage. Reading this book will also help you to get all of the benefits from your water filter.

▲ Your automatic filter will remove iron from your water supply as described on page 12. Also see the specifications on page 18. It will not soften hard water, purify contaminated water, or make other unsafe water safe to drink. Sears advises you to install a water softener, along with the iron filter, to remove iron that may get through the filter.

▲ Protect the filter and piping from freezing. Damage from freezing voids the filter warranty. . . . see page 16.

▲ Connect the filter to the house COLD water (120° max.) pipe only. DO NOT CONNECT TO HOT WATER. Hot water will damage inner parts and weaken or break the tank or bottle.

CAUTIONS

PLEASE READ AND COMPLY WITH THE FOLLOWING GUIDES TO PREVENT DAMAGE TO THE FILTER OR OTHER PROPERTY, PERSONAL INJURY, OR POSSIBLE FATAL SHOCK.

▲ THIS FILTER WORKS ON 24 VOLTS ONLY. BE SURE TO USE THE TRANSFORMER INCLUDED, AND PLUG IT INTO A 120V OUTLET.

▲ Unplug the transformer right away if the power cable should become damaged or frayed. Make repairs before plugging back into the power outlet.

▲ Always unplug the filter from electrical power before removing outer valve covers.

SECTION 1

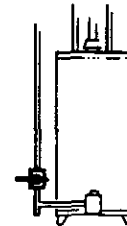
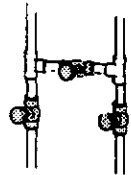
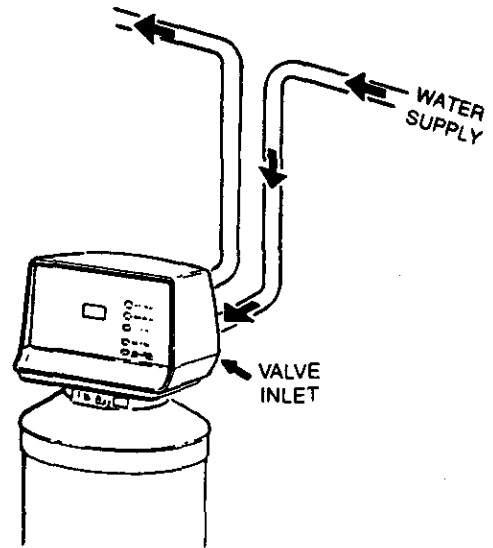
WATER FILTER START-UP

1B. CHECK LIST OF ALL STEP BY STEP GUIDES TO INSTALL

Refer to the Installation Manual, part no. 7146611, for step-by-step guides.

To be sure you have done all the steps to install the filter, read the following list. Page numbers referred to are in the Installation Manual.

- ✓ Is the house water flow going INTO the filter valve INLET? Trace piping to be sure . . . page 9.
- ✓ Is the plumbing bypass valve (or 3 valves) set for SERVICE? . . . See FIG. 10, page 18 of this manual.
- ✓ Is the valve drain hose connected the right way, and without sharp bends or kinks that could stop or reduce water flow? . . . page 14.
- ✓ Is the tubing connected between the feeder valve, on the potassium permanganate bottle, and the filter valve . . . page 10. Is the bottle drain hose connected and over the floor drain . . . page 15.
- ✓ Is the filter power cable connected to the transformer . . . and is the transformer plugged into an inside, 120V-60Hz electrical outlet? . . . page 17.
- ✓ Be sure to restart the water heater . . . page 18.



1C. SANITIZING THE WATER FILTER

Care is taken at the factory to keep your water filter clean and sanitary. Materials used to make the filter will not infect or contaminate your water supply, and will not cause bacteria to form or grow. However, during shipping, storage, installing and operating, bacteria could get into the filter. For this reason, sanitizing as follows is suggested^① when installing.

1. Press and HOLD button **5** on the face plate until RCHG begins to flash in the display (12:00 AM began to flash when the transformer was plugged in). The valve motor begins to run to advance the filter into the "fill" cycle. Water flows through the plastic tubing and you will see the potassium permanganate bottle begin to fill.
 - a. As the bottle begins to fill with water, press button **5** again. In about 1 minute, you will see a slow flow of water begin out the valve drain hose.
 - b. Wait about 30 seconds, then press button **5** once more. As the valve repositions again, a fast flow from the filter drain hose begins. This is the filter "backwash" cycle. Allow the filter to backwash for several minutes.
 - c. Press button **5** to advance the filter from backwash to "fast rinse" cycle. (Water from the drain hose stops momentarily, then begins again).
2. After about 2 minutes of fast rinse, PUT THE BYPASS VALVE(S) IN BYPASS POSITION (SEE FIG. 10, PAGE 18). Then press button **5** once again to return the filter to "service" position. DOING THIS RELEASES WATER PRESSURE IN THE FILTER.
3. Carefully remove the large plastic clip at the filter valve inlet (see Key No. 62, page 30). Pull the valve adaptor from the filter inlet.

NOTE:

If bypass valve, Sears Stock No. 42-3437 is installed, or if plumbing is too rigid to move, also disconnect the outlet side and move the filter away from plumbing.

^① Recommended by the Water Quality Association. On some water supplies, the water filter may need periodic disinfecting.

4. Put 1 teaspoon (0.1 ounce) of calcium hypochlorite into the valve inlet as far as possible.

NOTE:

You can buy calcium hypochlorite in tablet or granular form under trade names such as Perchloron and HTH.

5. Be sure the valve inlet is clean, for a good sealing surface for the valve adaptor o-ring. Then, reconnect plumbing to the filter. AFTER INSTALLING THE LARGE PLASTIC CLIP, PULL OUTWARD ON THE VALVE ADAPTOR TO BE SURE IT'S PROPERLY HELD IN PLACE.
6. SLOWLY, reposition the bypass valve(s) to service . . . FIG. 10, page 18. Open the nearest filtered water faucet until you can smell chlorine, then close.
7. Again, put the bypass valve(s) in bypass position. Allow the filter to stand idle for about 45 minutes, while the chlorine sanitizes.

NOTE:

During this time, go to pages 7 and 8 to make the timer settings. If needed, adjust the feeder valve tube for potassium permanganate use, page 9. Then, complete the following steps.

8. After 45 minutes, return the bypass valve(s) to service position.
9. Repeat steps 1, 1a and 1b to advance the filter to backwash. The timer will automatically advance the filter through the backwash and fast rinse cycles, during which the sanitizing bleach is flushed to the drain.

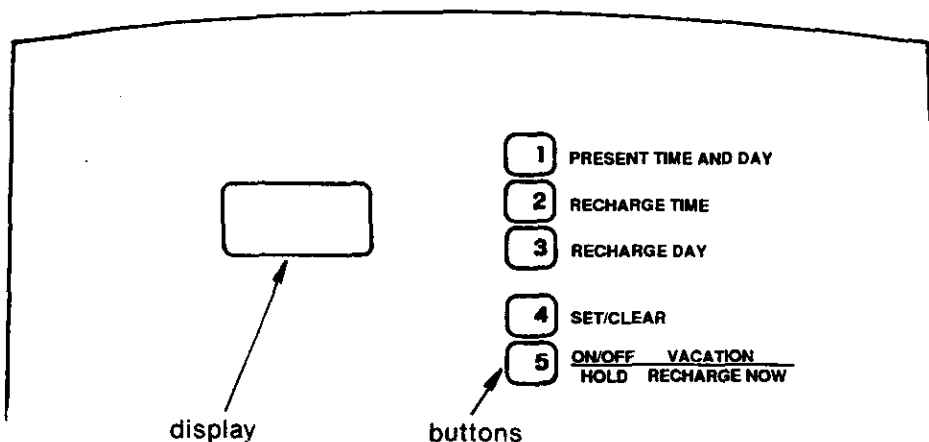
NOTE:

The backwash and fast rinse cycles take about 25 minutes. When over, the timer automatically returns the filter to service (water flow from the drain hose stops).

10. Open house filtered water faucets and allow to run until the chlorine odor is gone.

1D. PROGRAM THE TIMER

FIG. 1



When the transformer is plugged into the electrical outlet, 12:00 AM, SUn day began to flash in the time display. Set the **time of day**, present **day of week**, and **days/time of recharge**, as follows.

1. SET TIME OF DAY

- a. Press the PRESENT TIME AND DAY button **1** once. The hour display continues to flash.
- b. Press the SET/CLEAR button **4** until the present hour of the day shows in the display. Be sure AM for morning hours, or PM for afternoon and evening hours shows.

NOTE:

Press SET/CLEAR and quickly release to move the hour display ahead 1 at a time to the correct hour. Or, hold the SET/CLEAR button to move the display ahead 2 hours each second, to the correct hour.

- c. Press button **1** once to steady the hour display, and minutes begin to flash. Repeat step 1b to set the correct minutes.
- d. Press button **1** again to steady the minute display (day will begin flashing). Figure 2 shows the timer set at 3:30 PM.

2. SET PRESENT DAY OF WEEK

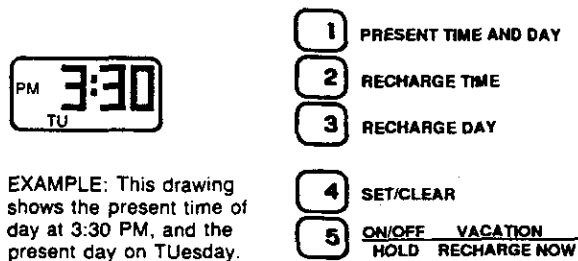
- a. Press the SET/CLEAR button **4** to set the present day of the week in the display.

NOTE:

Press SET/CLEAR and quickly release to move the day display 1 at a time. Or, hold the SET/CLEAR button to move the day display ahead 2 days each second.

- b. Press the PRESENT TIME AND DAY button **1** again to steady the entire display. Figure 2 shows the timer set at TUESday.

FIG. 2



EXAMPLE: This drawing shows the present time of day at 3:30 PM, and the present day on TUESday.

(continued)

SECTION 1

WATER FILTER START-UP

1D. PROGRAM THE TIMER

3. SET DAYS OF RECHARGE

IF YOU HAVE A WATER SOFTENER OR OTHER AUTOMATIC FILTER... A good water flow rate is needed for proper recharging and/or backwashing of all water conditioners. To help assure good water flow, you should offset the timers on each conditioner so recharges do not occur on the same days, or at the same time as follows.

- ... Most Sears water softeners are factory set (many are adjustable) to recharge from 2:00 to 4:00 am.
- ... Sears Automatic Iron Filter is factory set to recharge from 12:00 AM to about 1:50 AM.
- ... Other Sears filters (Clarifier, Neutralizer, Taste & Odor) are factory set to backwash from 12:00 AM to about 12:40 AM.
- ... Offset the timers on all equipment to begin recharges or backwashes at 12:00, 2:00 and 4:00 AM, or 1:00, 3:00 and 5:00 AM, etc.

a. Look at the "Suggested Recharge Days" table. The table shows you the days to set the iron filter for recharge, depending on your household needs.

b. Press the RECHARGE DAY BUTTON [3] AND Sunday begins to flash.

... If you want recharges on Sunday (from table), press the SET/CLEAR button [4] to display ON.

... If you do not want Sunday recharges, press button [4] to display OFF.

c. Press button [3] again to display a flashing Monday. As you did in step b above, press button [4] to display ON for recharge on Monday, or OFF for no recharge on Monday.

d. Press button [3] for every day of the week, each time using button [4] to display ON (for recharge) or OFF (no recharge) as needed.

e. After setting ON or OFF for Saturday, press button [1] to return the present time in the display.

4. SET TIME OF RECHARGE

The filter is factory set to begin recharge at 12:00 AM, ending at about 1:50 AM. If a different recharge time is desired, or needed, do the following.

a. Press the RECHARGE TIME button [2] once, to display a flashing 12:00 AM, the factory setting.

b. Press the SET/CLEAR button [4] until the desired recharge starting time shows in the display.

NOTE: Press button [4] and quickly release to move the display ahead 1 hour at a time. Or, hold button [4] to move the display ahead 2 hours each second.

c. Press button [1] to return the present time.

SUGGESTED RECHARGE DAYS

How often the filter must recharge depends on 2 things.

1. PARTS PER MILLION (PPM) IRON IN YOUR WATER SUPPLY — Determined by water analysis ... see page 2 in your installation manual.
2. HOUSEHOLD WATER USAGE FACTOR — Example: 4 people in the household, plus 1 clotheswasher, plus 1 dishwasher equals a usage factor of 6.

USING TABLE: Find your ppm of iron across the top (if not shown, use next higher number). Read down this column, and across from your water usage factor. At the meeting point, the table shows suggested days to recharge the filter.

WATER USAGE FACTOR	PARTS PER MILLION (PPM) IRON IN WATER SUPPLY								
	2	4	6	8	10	12	14	16	20
1	SU	SU	SU	SU	SU	SU	SU	SU	SU
2	SU	SU	SU	SU	SU	SU	SU	SU	SU
3	SU	SU	SU	SU	SU	SU	SU	SU	SU
4	SU	SU	SU	SU	SU	SU	SU	SU	SU
5	SU	SU	SU	SU	SU	SU	SU	SU	SU
6	SU	SU	SU	SU	SU	SU	SU	SU	SU
7	SU	SU	SU	SU	SU	SU	SU	SU	SU
8	SU	SU	SU	SU	SU	SU	SU	SU	SU

EVERY DAY RECHARGE
(Use "A" Setting Only, Page 9)

If the water supply has a high amount of sand, silt or other sediments, you should recharge the filter more often than the table shows. If you do recharge the filter more often, you can use half as much potassium permanganate (see page 9).

1E. ADJUSTMENT FOR POTASSIUM PERMANGANATE USE

The filter is factory set to use about 2 ounces of potassium permanganate each recharge. That's how much is needed to keep the mineral bed working the way it should. However, if you recharge the filter more often than needed (see the table on page 8) less potassium permanganate is needed each time.

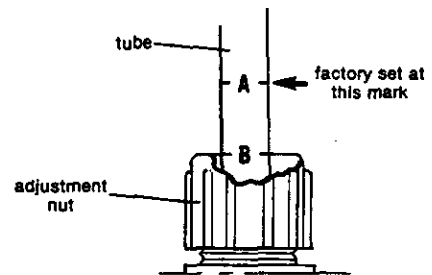
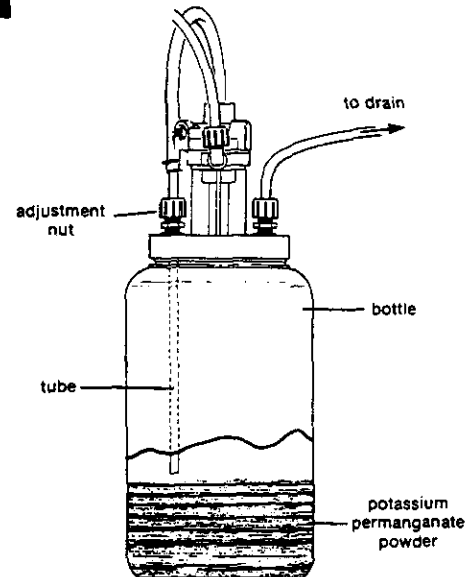
The valve (FIG. 3) has a tube that raises and lowers into the bottle. It has 2 settings marked on it. The "A" mark, or factory setting, is for 2 ounces of potassium permanganate. The "B" setting is for 1 ounce.

To change the setting, loosen the adjustment nut. Raise the tube until "B" lines up with the top of the nut, then tighten the nut.

IMPORTANT:

For proper recharging of the mineral bed, use the "A" setting. Use the "B" setting ONLY if the filter is set to recharge more often than the table on page 8 shows. Improper recharging will shorten the useful life of the mineral bed.

FIG. 3



SECTION 2

HOW YOUR WATER FILTER WORKS

2A. FACE PLATE TIMER FEATURES

RECHARGE NOW

For times you expect to use more water than usual, use the RECHARGE NOW feature. Press the RECHARGE NOW-HOLD button [5] and hold in for 3 seconds. RCHG begins to flash in the display and a recharge starts right away. You will have filtered water when the recharge is over in about 2 hours.

FIG. 4



- 1 PRESENT TIME AND DAY
- 2 RECHARGE TIME
- 3 RECHARGE DAY
- 4 SET/CLEAR
- 5 ON/OFF VACATION
HOLD RECHARGE NOW

VACATION

The day you leave on vacation or other long absence, press (DO NOT HOLD) the VACATION ON/OFF button [5]. VAC begins to flash in the display. The timer will keep time, but the filter will not recharge and waste water and potassium permanganate solution.

FIG. 5



- 1 PRESENT TIME AND DAY
- 2 RECHARGE TIME
- 3 RECHARGE DAY
- 4 SET/CLEAR
- 5 ON/OFF VACATION
HOLD RECHARGE NOW

When you return, press the VACATION button [5] again to return the filter to service, and the correct time of day in the display. **Remember to do this or the filter will not recharge and you will soon have iron in your water supply.**

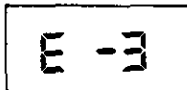
NOTE:

While in VACATION, the filter will go through a recharge if the RECHARGE NOW feature is used.

To shut off the water supply to the filter, use the plumbing bypass valve(s) . . . FIG. 10, page 18.

ERROR CODE

An error code could appear in the faceplate display if a problem occurs in the filter electronics. If you see an error code



instead of the present time of day, please call your local Sears Service Department for service.

Continued

2A. FACE PLATE TIMER FEATURES

TIMER "POWER-OUTAGE MEMORY"

If electrical power to the timer goes off, the "memory" built into timer circuitry keeps all settings for 6 hours (minimum) or more. The display is blank and the filter will not recharge. When electrical power comes on, 1 of 2 things will happen.

1. The present time of day will show, meaning the timer memory has kept all settings.

NOTE:

If the filter was in a recharge when power was lost, it will now finish the cycle.

2. The display will show a time, but it will be flashing. The timer memory did **not** keep the time settings and they must be reset, pages 7 and 8.

The flashing display is to remind you to reset the timer.

NOTE:

When power comes on, the flashing display returns to a time of 12:00 AM Sunday, then begins to keep time again. If you do not reset all time settings, the filter will recharge 3 days each week. However, recharges will most likely be on the wrong days and at the wrong time.

If the filter was in a recharge when power went off, the valve will return to service position without finishing the cycle. If your water has a purple color . . .

. . . use RECHARGE NOW (see page 10) to start another recharge, or . . .

. . . open 1 or more filtered water faucets and allow water to run until clear, with no more purple color.

2B. IRON IN WATER/HOW FILTER REMOVES IT

IMPORTANT:

Sears water filters are sometimes installed alone in the water system, but most often other water treating equipment is needed. Always be sure to have your water tested by a qualified testing laboratory. If you need help, ask at your Sears store, or call Sears Water Line, 1-800-426-9345.

Iron in water causes many problems, from making rust stains on clothing, plumbing fixtures, etc. to making food and beverages look and taste bad. Two common kinds of iron are —

— Clear Water (FERROUS) iron is the most common. Water with ferrous iron is clear when taken from a faucet. After standing for 15 to 30 minutes, the water turns to a yellow or brown color.

— Red Water (FERRIC) iron is rusty or brown as it comes out a faucet.

Your Sears Automatic Iron Filter will remove up to 20 parts per million (ppm) of the ferrous and/or ferric kinds of iron. Sears advises you to install a water softener in the water system after the iron filter, to remove any iron that may get through the filter.

NOTE:

Bacterial iron is another common kind. It forms stringy mud-like clumps in the water. If you think you have bacterial iron, have a water sample tested by Sears Water Analysis Laboratory. They will tell you what is needed to treat the bacterial iron. THIS FILTER WILL NOT REMOVE BACTERIAL IRON FROM WATER.

The iron filter is filled with a special manganese coated mineral. The filtering mineral bed is made up of thousands of small, odd-shaped, pebble-like pieces. The mineral does 2 things; ① OXIDIZES iron and, ② FILTERS iron.

① OXIDIZE — Iron most often is dissolved (clear water iron) in water supplies. You can't see it and, in this form, it is not filterable. When clear water iron comes in contact with oxygen for a few minutes, the iron changes to a solid form (red water iron) that you can see. The filtering mineral gives off the oxygen to make the iron change (oxidize) to red water iron.

② FILTER — Iron, in the oxidized or red water form, is filtered and held within the mineral bed during service. The iron is then cleaned from the mineral bed during recharge with a potassium permanganate solution, and backwashing.

SERVICE (FIG. 6) — The water supply, with iron in it, flows into and downward through the filter. The mineral bed in the filter oxidizes, gathers and holds the iron. Clear, iron-free water goes out the filter and to the house pipes.

RECHARGE — In time, the filtering mineral has given off all the oxygen it can, and the bed is filled with the iron it has gathered. Then the mineral needs a recharge (or regeneration) to give it a new oxygen supply and to clean the iron out. FILL, SOLUTION DRAW/RINSE, BACKWASH and FAST RINSE are stages of the recharge, FIG. 7.

FILL water flows to a bottle filled with potassium permanganate powder during the first stage of recharge. The bottle fills with water to a preset level, until stopped by a float shutoff. In the bottle, water dissolves some of the potassium permanganate powder so a solution is ready for the solution draw cycle. The fill cycle lasts for 4 minutes.

During the 80 minute SOLUTION DRAW/RINSE, potassium permanganate solution is passed through the filter mineral to replace the oxygen. A suction takes the solution from the bottle and puts it into the mineral tank. The potassium permanganate rinses slowly through the filtering mineral, then goes out of the filter to the drain.

SECTION 2

HOW YOUR WATER FILTER WORKS

2B. IRON IN WATER/HOW FILTER REMOVES IT

FIG. 6

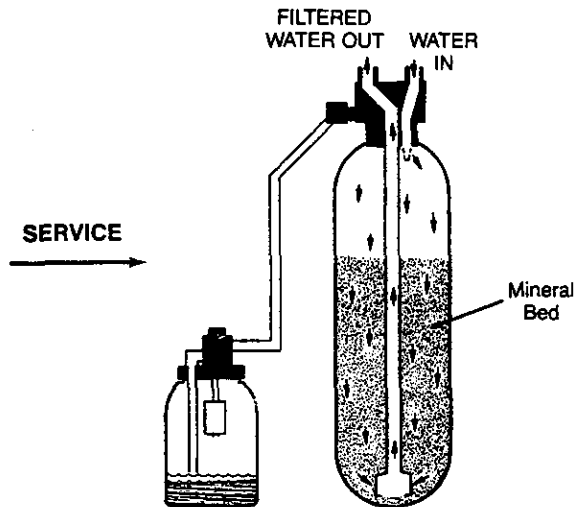
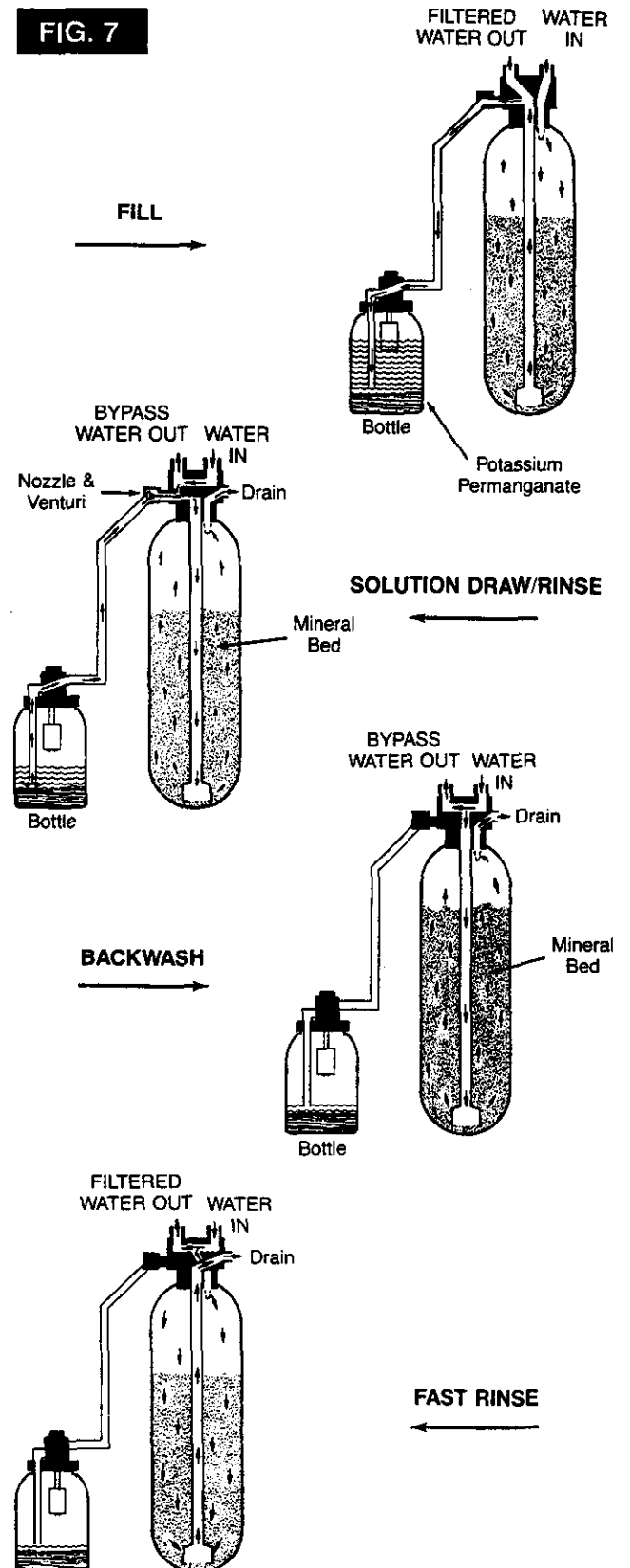


FIG. 7



IMPORTANT:

Avoid using water in the house while the filter is regenerating. Bypass iron water will go to house pipes and the water heater during the solution draw and backwash cycles if a faucet is opened.

When solution draw is over, the filter goes into BACKWASH. During backwash, water goes UP through the mineral at a fast flow. The fast flow loosens and flushes the gathered iron out of the bed. The iron goes with the flow of water to the drain. Any potassium permanganate still in the bed is also flushed out. The backwash is 16 minutes long.

After backwash, water goes DOWN through the filter (FAST RINSE) for 8 minutes. The mineral bed is packed and made ready for return to service. Rinse water goes to the drain.

IF YOUR WATER HAS A PINK COLOR AFTER THE FILTER HAS FINISHED RECHARGE, open a faucet nearby the filter and let the water run until the pink color is gone. See page 17 if the pink color appears after every recharge.

3A. CHANGING THE POTASSIUM PERMANGANATE BOTTLE

HOW LONG DOES A BOTTLE OF POTASSIUM PERMANGANATE LAST? How long a bottle lasts depends on how often the filter regenerates and how much potassium permanganate is used (pages 8 and 9). You can use the chart below as a guide to tell you about how long it will last.

HOW LONG THE POTASSIUM PERMANGANATE BOTTLE LASTS

No. of Recharges Each Week	Tube Set at "A" Mark	Tube Set At "B" Mark
1	9 months	18 months
2	4 1/2 months	9 months
3	3 months	6 months
4	9 weeks	4 1/2 months
5	7 weeks	3 1/2 months
6	6 weeks	3 months
7	5 weeks	2 1/2 months

IT IS IMPORTANT that you change the bottle before all the potassium permanganate is gone. If the filter goes too long without a regeneration with potassium

permanganate, the filtering mineral will lose its manganese coating and you can't replace it. New mineral and the service call to change it are costly. You can buy replacement bottles from Sears, Stock No. 42-34417.

WARNING:

HANDLE THE BOTTLE WITH CARE. POTASSIUM PERMANGANATE STAINS DEEPLY. DO NOT GET IT ON YOUR CLOTHES OR YOUR SKIN. YOU SHOULD WEAR OLD CLOTHES WHEN CHANGING THE BOTTLE. PLEASE READ THE WARNINGS PRINTED ON THE BOTTLE.

BULK POTASSIUM PERMANGANATE POWDER: If purchased and used in bulk form, DO NOT OVER-FILL THE BOTTLE. Fill with only 6 lbs. of powder (see note below). Too much powder will stop or restrict solution flow from the bottle. Before filling, be sure to thoroughly clean the bottle.

STEPS TO CHANGE THE BOTTLE

CHANGE THE BOTTLE WHILE THE FILTER IS IN SERVICE AND NOT WHILE IN REGENERATION (be sure RCHG is not flashing in timer display).

1. Turn the used bottle out of the feeder valve. DO NOT LOSE THE LARGE O-RING ON THE BOTTOM OF THE VALVE.
2. Place the used bottle in a leak-proof plastic bag and discard in a safe place and manner so children can not get to it.
3. Remove the cover from the new bottle.

NOTE:

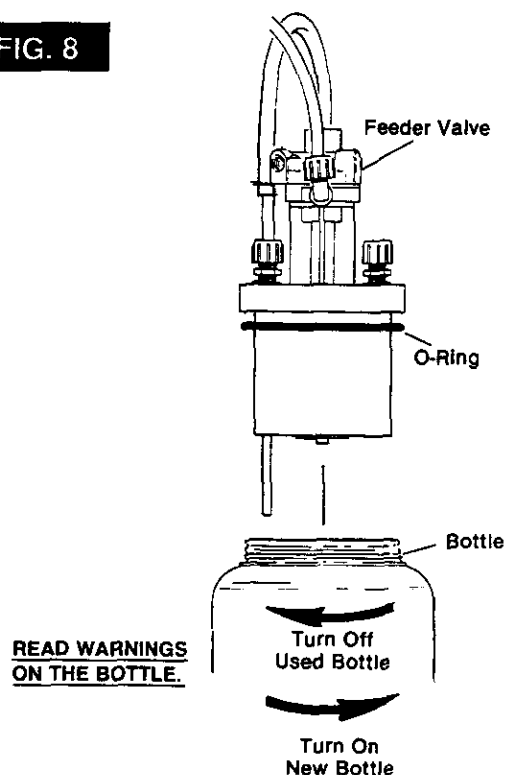
The new bottle is only partly filled (about 6 lbs.) with potassium permanganate powder. The empty part of the bottle is needed so it can fill with water to dissolve the powder.

4. Put a light coat of vaseline or silicone grease on the valve to bottle o-ring seal. If not already in place, put the o-ring in the groove on the bottom of the feeder valve.
5. Turn the new bottle into the feeder valve until you feel the o-ring touch the top lip of the bottle. Then tighten another 1/8 turn. DO NOT OVER-TIGHTEN SO THE O-RING WILL NOT SEAL.

6. Shake the bottle to level the powder.

7. Place the bottle onto the base.

FIG. 8



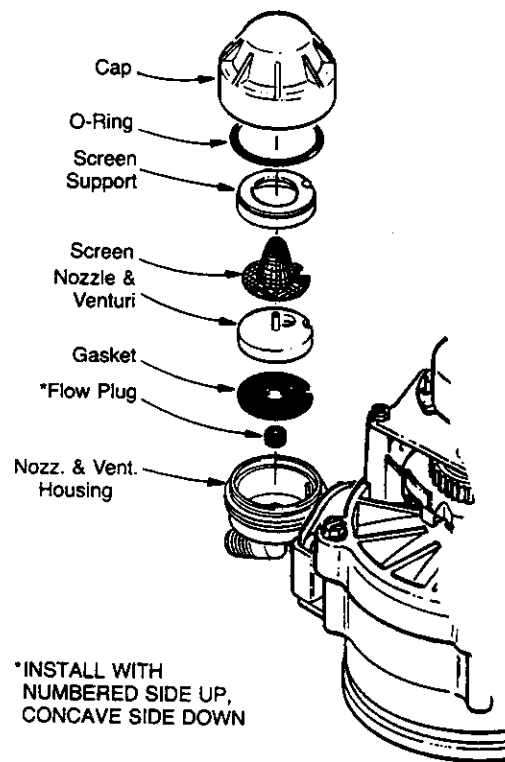
3B. CLEANING THE NOZZLE AND VENTURI

A clean nozzle and venturi (FIG. 9) is a must for the filter to work right. This small unit moves potassium permanganate solution from the bottle, into the mineral bed during solution draw (page 13). If the nozzle and venturi becomes plugged with iron, sand, silt, dirt, etc., it can not make the suction to move the solution. Without this solution during regeneration, the mineral bed will not be cleaned as it should.

Clean the nozzle and venturi each time you change the bottle. If your water supply has high amounts of iron, sand, silt, etc., you may have to clean the nozzle and venturi more often.

To get to the nozzle and venturi, remove the filter top cover. Be sure the filter is in service cycle (no water pressure at nozzle and venturi), then turn off the cap from the nozzle and venturi housing. **DO NOT LOSE THE LARGE O-RING SEAL.** Lift out the screen support and screen, then the nozzle and venturi. Wash and rinse the parts in warm water until clean. If needed, use a small brush to remove iron or dirt. Also check and clean the gasket and flow plug if dirty.

FIG. 9



SECTION 3

CARE OF YOUR FILTER

3C. KEEP THE FILTER FROM FREEZING

If the filter is installed where it could freeze (summer cabin, lake home, etc.), you must drain all water from it to stop possible freeze damage. To drain the filter —

1. Close the shut-off valve on the house main water pipe, near the water meter or pressure tank.
2. Open a faucet in the filtered water pipes to vent pressure in the filter.
3. Looking at FIG. 10 on page 18, move the stem in a single bypass valve to bypass. Close the inlet and outlet valve in a 3-valve bypass system, and open the bypass valve.
4. Unplug the transformer at the wall outlet.
5. Pull the holding clip to remove the drain fitting, with drain hose attached, from the valve. **DO NOT LOSE THE BLACK RUBBER FLOW PLUG AND RETAINER.**
6. Looking at page 11 in the installation manual, remove the plastic clips and pull the adaptors or bypass valve from the inlet and outlet.
7. Remove the bottle and feeder valve from the base. Store the bottle in a warm, safe place where it will not spill, and **AWAY FROM CHILDREN.**

If you do not have a place to SAFELY store the bottle, turn the feeder valve off and flush with fresh water. Dump the liquid contents of the bottle down the drain. Place the bottle in a plastic bag and discard in a safe place and manner so children can not get to it.

8. Move the filter close to the floor drain. SLOWLY and CAREFULLY (the filter is heavy) tip the filter over so the valve inlet and outlet are over the drain. Allow water to drain from tank. **DO NOT REST THE FILTER ON THE INLET AND OUTLET FITTINGS OR THEY WILL BREAK.**
9. Tip the bottom of the filter up a few inches and hold until all water has drained. Leave the filter laying like this until you are ready to use it. Plug the inlet and outlet with rags to keep dirt, bugs, etc. out.

SECTION 3

CARE OF YOUR FILTER

3D. BEFORE YOU CALL FOR SERVICE . . . HELPFUL HINTS CHECKLIST

PROBLEM	CAUSE	CORRECTION
<p>FILTER WILL NOT RECHARGE</p>	<p>Manual bypass valve(s) in bypass position</p> <p>Transformer unplugged at wall outlet, power cable disconnected, fuse blown/circuit breaker popped, or circuit switched off</p> <p>Timer in the vacation (VAC) position</p> <p>Timer not programmed for recharge.</p> <p>An error code shows in the face plate display</p> <p>Backwash flow washer plugged</p> <p>Drain hose plugged, kinked or bent</p>	<p>See FIG. 10, page 18. Move stem in a single bypass valve to SERVICE. In a 3-valve bypass, open the inlet and outlet valves, close the bypass valve.</p> <p>Check for loss of power and correct. Reset the times and use the RECHARGE NOW feature . . . see page 10. Also see "Electric Power Outlet For Your Filter, page 17 in the installation manual.</p> <p>Press the VACATION button 5 once to return the filter to service . . . see page 10.</p> <p>See page 8 to program a weekly schedule.</p> <p>See page 10.</p> <p>See key No. 59, page 30, and remove drain hose adaptor to clean.</p> <p>Straighten hose, or remove and clean.</p>
<p>FILTER RECHARGES, BUT FILTERED WATER HAS IRON</p>	<p>See causes above</p> <p>No more potassium permanganate in storage bottle</p> <p>Not using enough potassium permanganate</p> <p>Dirty, plugged or damaged nozzle and venturi</p> <p>More frequent recharges needed</p> <p>HOT water used while the filter is recharging</p> <p>Possible increase in iron content</p> <p>Leaking faucet or toilet valve</p>	<p>Replace bottle and use RECHARGE NOW.</p> <p>Reset the bottle adjusting tube . . . see page 14.</p> <p>Disassemble and inspect. Clean or repair as needed . . . page 15.</p> <p>Add more recharges . . . refer to page 8.</p> <p>The water heater will refill with bypass iron water. Avoid using water during recharges.</p> <p>Ask your Sears store for a new water analysis. Adjust recharges as needed.</p> <p>A small leak can waste hundreds of gallons of water in a few days. Fix plumbing leaks, and always fully close faucets.</p>
<p>LOW WATER PRESSURE AT HOUSE FAUCETS</p> <p>NOTE:</p>	<p>Recharge and backwash needed more often to keep mineral bed clean</p> <p>Well pump pressure set too low</p>	<p>Adjust for more frequent recharges. See page 8.</p> <p>Adjust to a minimum of 20 psi.</p>

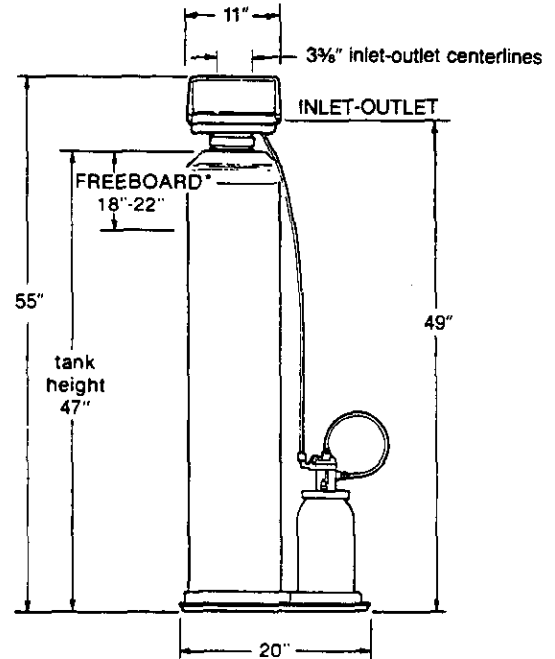
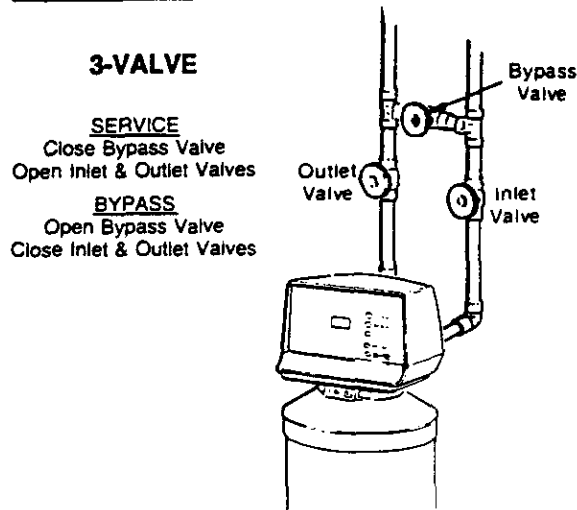
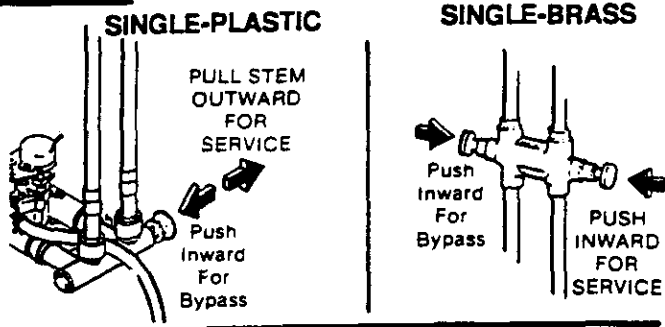
Your water supply may have a PINK COLOR after recharges if water pressure is low. To correct, increase pressure, adjust for less potassium permanganate use and add more recharges . . . page 8, or increase the backwash cycle time . . . see Servicer's Tech Information.

SECTION 4

OTHER THINGS TO KNOW

4A. DIMENSIONS/SPECIFICATIONS

FIG. 10 BYPASS VALVES



* FREEBOARD is the distance (inches) from top of the tank to top of the mineral bed (1 cu ft of mineral)

CLASSIFICATION OF FILTER:	Household
FILTER TYPE:	Oxidizing
TYPE OF MINERAL:	Manganese dioxide coated
AMOUNT OF MINERAL:	1.0 cu. ft.
AMOUNT OF GRAVEL BASE:	17 lbs
AMOUNT OF FILTER SAND:	10 lbs
INLET WATER PRESSURE LIMITS:	20-125 psi
RATED SERVICE FLOW:	8 gal/min
MAX. PRESSURE DROP AT RATED SERVICE FLOW:	10 psi
MAXIMUM INLET WATER TEMPERATURE:	120°F
MINIMUM INLET WATER FLOW:	420 gal/hr
MINIMUM INLET AND OUTLET PIPE SIZE:	3/4 inch
BACKWASH FLOW RATE: (at 35 psi inlet pressure)	7 gal/min
MINIMUM SUPPLY WATER pH:	7.0
CAPACITY RATING:	See Rating Decal on Filter

POTASSIUM PERMANGANATE USED EACH REGENERATION:	
at "A" setting on Tube:	2 ounces
at "B" setting on Tube:	1 ounce
ELECTRICAL RATING:	24V - 50/60 Hz, 0.3A

SECTION 5

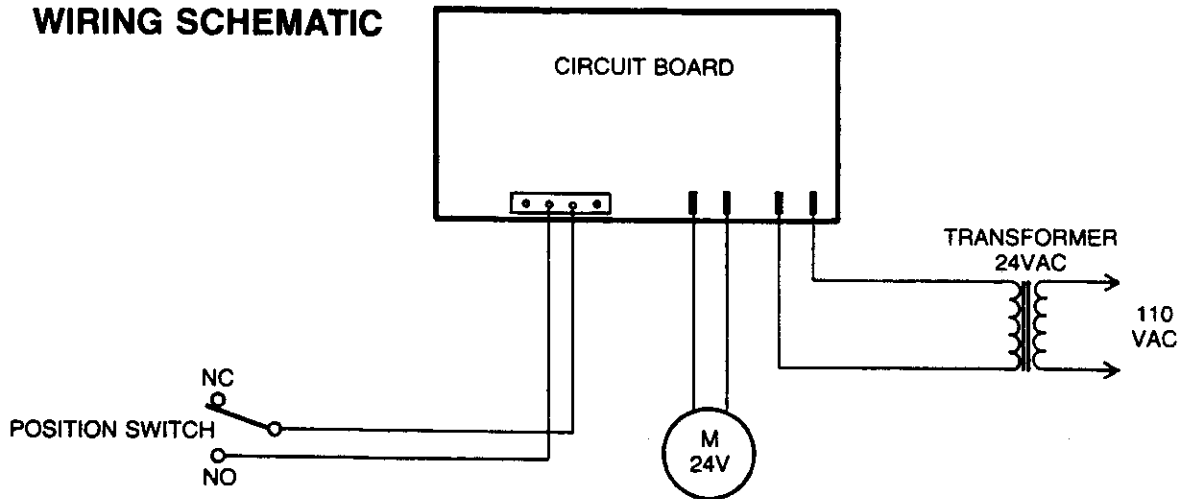
SERVICER'S TECH. INFORMATION

5A. ELECTRICAL CONNECTIONS

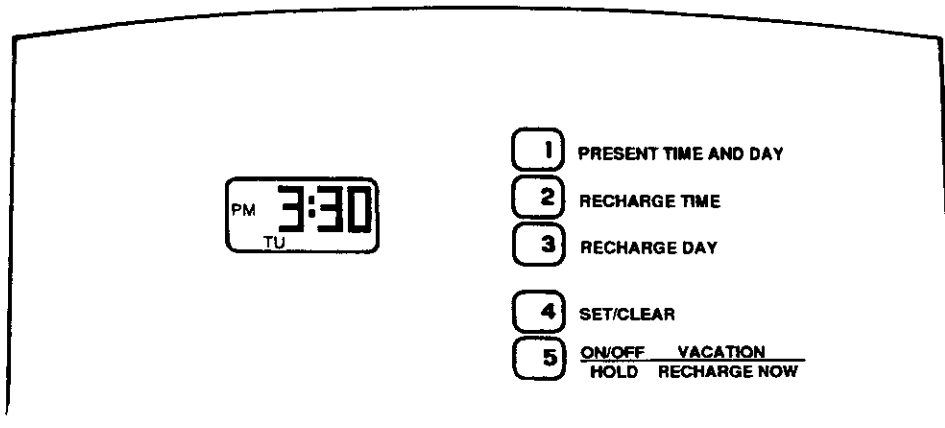
IMPORTANT:

KEEP THIS MANUAL WITH YOUR WATER FILTER. IF REPAIRS ARE NEEDED, THE SERVICE TECHNICIAN MUST HAVE THE INFORMATION ON THE FOLLOWING 8 PAGES.

WIRING SCHEMATIC



FACE PLATE TIMER



SECTION 5

SERVICER'S TECH. INFORMATION

5B. RECHARGE CYCLE TIMES AND DRAIN FLOW RATES

RECHARGE times and Cycle Sequence

	SINGLE BACKWASH	DOUBLE BACKWASH
FILL	4 MIN.	4 MIN.
BACKWASH	—	16 MIN.
FAST RINSE	—	8 MIN.
SOLUTION DRAW/RINSE	80 MIN.	80 MIN.
BACKWASH	16 MIN.	16 MIN.
FAST RINSE	8 MIN.	8 MIN.
TOTAL ①	112 MIN.	137 MIN.

① Includes valve positioning time

RECHARGE CYCLE WATER FLOW RATE TO DRAIN

SOLUTION DRAW	.35 GPM
SOLUTION RINSE	.22 GPM
BACKWASH	7 GPM
FAST RINSE	7 GPM

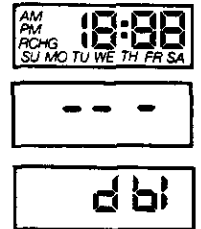
*NOTE:

The timer has a **double backwash** capability. In some cases, depending on the water supply, (type of iron, amount of iron, sediment and other mineral content, etc.), a second backwash instead of additional recharges may keep the mineral clean. See below to program a double backwash.

TO SET DOUBLE BACKWASH

USE BUTTONS **4** (SET/CLEAR), and **1** (PRESENT TIME AND DAY)

- Press and hold **4** entire display comes on.
 Press **1** to display 3 dashes
 Press **4** to display **dbl**
 Press **1** to display 18:88



- Press **4** to return present time.

REPEAT ABOVE STEPS TO CANCEL DOUBLE BACKWASH.

OTHER RECHARGE CYCLE TIME ADJUSTMENTS

Cycle times above are factory settings. Do the following to check for correct cycle times.

NOTE:

Removing from electrical power (varies from 6 to 15 hours) resets timer to factory programming.

- If 3:16 does show, go to step 4.

- If other than 3:16 (3:00 to 3:30), press **4** until 3:16 shows.



DISPLAY MUST SHOW TIME AND DAY

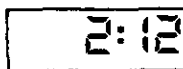
- Press and hold **4** . . . entire display comes on.



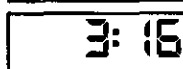
- Press **2** . . . 2:08 shows, meaning #2 cycle (brining & br. rinse) and 80 minutes (8 x 10).



- If 2:08 does show, go to step 3.
- If other than 2:08 (2:00 to 2:15), press **4** until 2:08 shows.



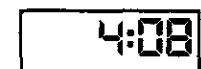
- Press **2** . . . 3:16 shows meaning #3 cycle (backwash) and 16 minutes.



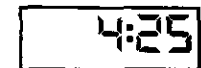
NOTE:

Instead of programming a double backwash, a longer single backwash is beneficial on some types of iron water.

- Press **2** . . . 4:08 shows, meaning #4 cycle (fast rinse) and 8 minutes.



- If 4:08 does show, go to step 5.
- If other than 4:08 (4:00 to 4:30), press **4** until 4:08 shows.



- Press **2** . . . 18:88 shows.
- Press **4** to return present time and day.



5C.

DIAGNOSTICS

AUTOMATIC ELECTRONIC DIAGNOSTIC

The face plate has a self-diagnostic function for the electrical system (except input power). The face plate monitors the electronic components and circuits for correct operation. If a malfunction occurs, an error code appears in the face plate display.

The chart below shows the error codes that could appear, and the possible defects for each code.

While an error code appears in the display, all face plate buttons are inoperable except the SET/CLEAR button. SET/CLEAR remains operational so the service person can make the MANUAL ADVANCE DIAGNOSTICS to further isolate the defect.

CODE	POSSIBLE DEFECT	
	MOST LIKELY ←	→ LESS LIKELY
E - 1	motor inop. / wiring harness or connection to switch / switch / face plate	
E - 2, E - 3	face plate	
E - 4	face plate / position switch	

PROCEDURE FOR REMOVING ERROR CODE FROM FACE PLATE: 1. Unplug transformer 2. Correct defect 3. Plug-in transformer 4. Wait for 6 minutes. The error code will return if the defect was not corrected.

MANUAL ADVANCE DIAGNOSTIC

Use the following procedures to advance filter valve through recharge cycles to check operation.

Remove top cover to observe valve rotation.

DISPLAY MUST SHOW TIME AND DAY

1. Press and hold [4] for 3 seconds until 18:88 displays.

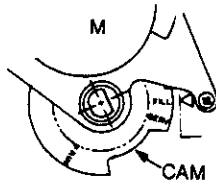


2. Press [3] to display position (P) switch open or closed indicator.



If valve is in service, fill, solution draw, backwash or fast rinse (see markings on cam under motor), display will show ... (--), meaning the position switch is open.

While the valve is rotating from one cycle to another, the display shows (-P), meaning the position switch is closed.

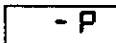


NOTE:

While in manual advance, the time display automatically returns to the present time of day if a button is not pressed within 4 minutes.

3. To advance valve, press [5] each time you want to move into next cycle. (Pressing [5] while valve is rotating has no affect.)

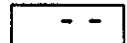
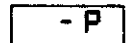
— Press and hold [5] for 3 seconds to move filter into fill. Verify fill water enters solution bottle.



- a. If it does not move into fill, valve motor is inoperative. Check all wiring and connections.

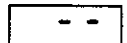
- b. If water does not enter bottle, see "Quick-Check Troubleshooting," page 22.

— After 5 minutes of fill press [5] to move filter into solution draw. (NOTE: Advance through backwash and fast rinse first if double backwash is programmed.) A slow flow of water to drain begins. Verify solution draw from the bottle.



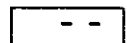
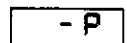
- c. If solution is not drawn from bottle ... see "Quick-Check Troubleshooting," page 22.

— Again press [5] to move filter into backwash. Look for a fast flow of water from drain hose.



- d. A slow flow indicates an obstructed top distributor, backwash flow plug, drain hose, or iron fouled mineral bed.

— Press [5] to move filter into fast rinse. Again look for fast drain flow. Allow to rinse until drain water is clear, with no purple color (from solution draw test).

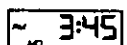


— To return filter to service, press [5].

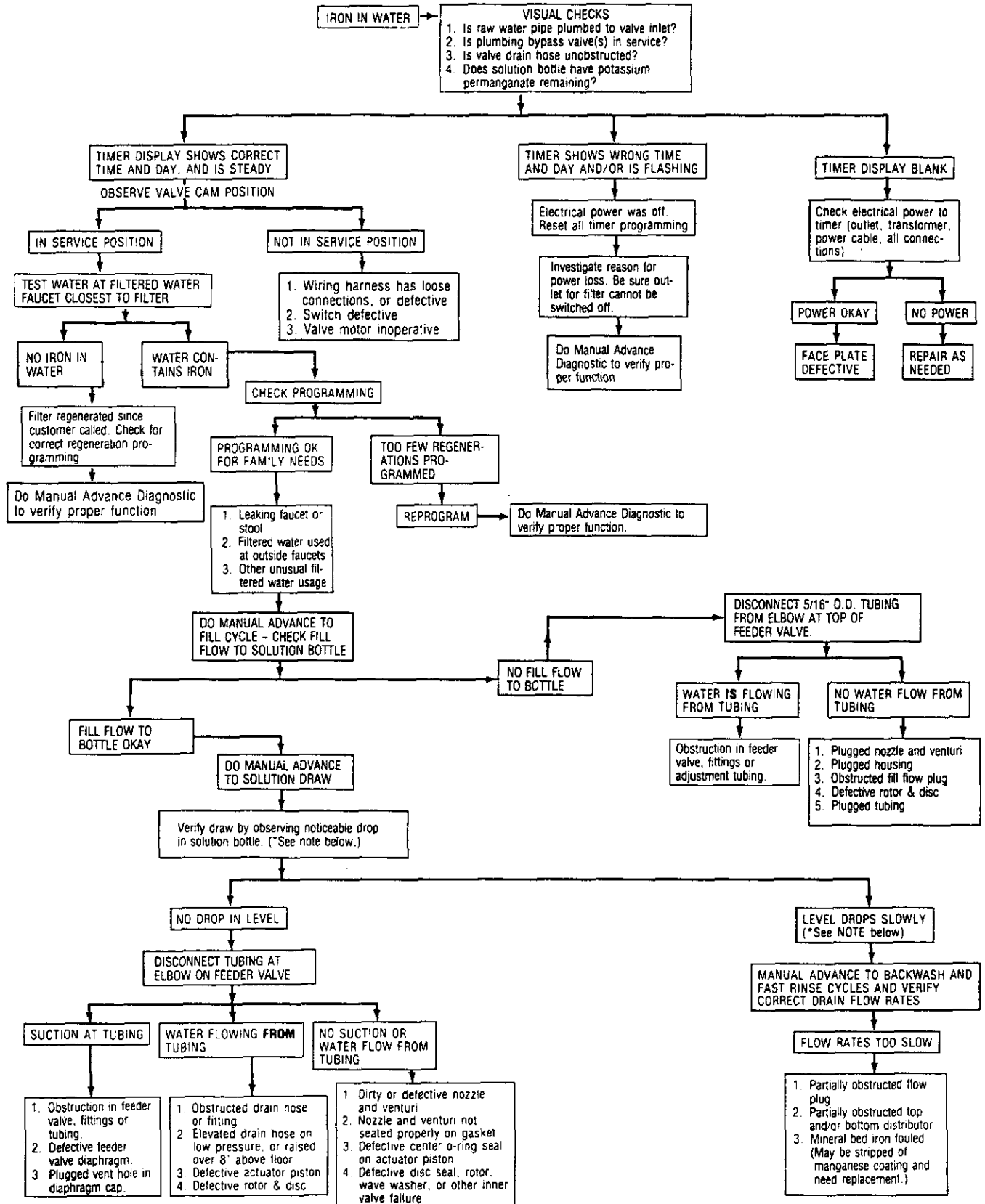
4. Press [3] to display 18:88.



5. Press [4] to return present time and day.



5D. "QUICK-CHECK" TROUBLESHOOTING



5E. ROTARY VALVE SERVICE

BEFORE WORKING ON THE VALVE, TURN OFF THE WATER SUPPLY AND DISCONNECT FROM ELECTRICAL POWER. TO RELIEVE PRESSURE...

... 3 VALVE BYPASS: Close the inlet valve and open a filtered water faucet. Then close the outlet valve and open the bypass valve.

... SEARS SPECIAL BYPASS: Slide the bypass valve stem to bypass position. Loosen the 3 hex head screws (see **A** in drawing) toward the backside of the valve to allow pressure water to bleed out (catch water with a rag).

DISASSEMBLY

To remove a part or group of parts, refer to the valve drawing. A common screwdriver or nut driver, Phillips screwdriver and pliers are the only tools needed to completely disassemble.

SERVICING THE VALVE

Inspect all o-rings, seals and gaskets for wear or defects.

Inspect the bottom surface of the rotor and disc for scratches, chips or wear.

NOTE:

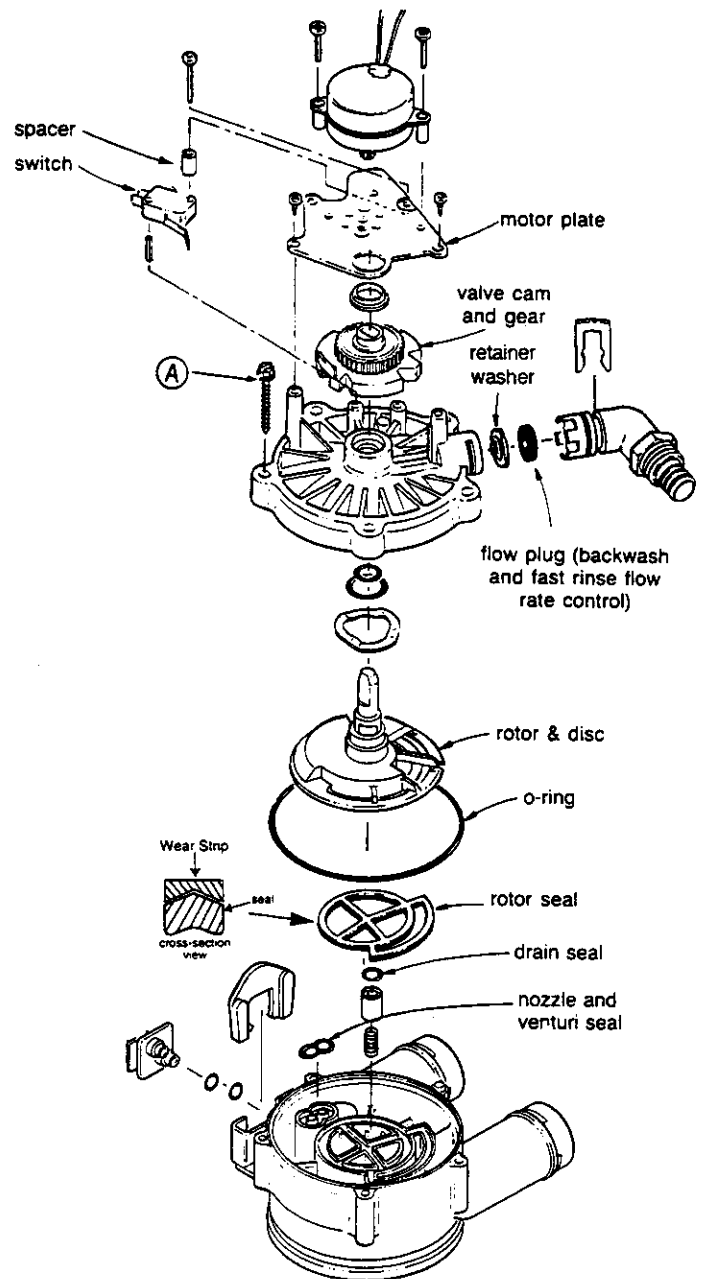
If replacement is needed, be sure to use the current replacement part.

ASSEMBLY

Be sure all parts are in place and in the proper position. Lubricate ALL o-rings, and seals with FDA approved silicone grease. To install the rotor seal, first place the seal into the valve groove, rounded side down (see cross-section). Apply a light coating of silicone grease to the seal's crossing ribs. Then, carefully center the wear strip on the seal, and push it downward onto the seal.

Install the nozzle and venturi seal and drain seal. Assemble 2 o-rings and the wave washer onto the rotor and disc. Then center the rotor and disc, in the valve body, on the rotor seal.

Lower the cover onto the valve body and rotor shaft. Then install the cover holding screws. **BEFORE TIGHTENING THE SCREWS, INSTALL THE VALVE CAM AND GEAR, THEN TURN THE ROTOR (CLOCKWISE ONLY) TO SERVICE POSITION.**

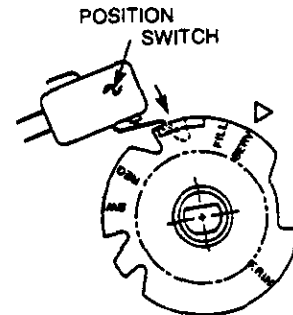
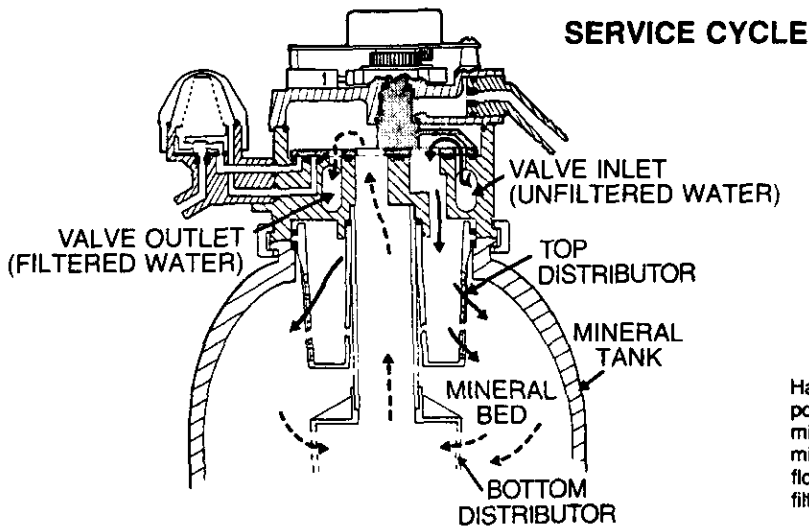


Tighten the screws using a criss-cross pattern. If a torque wrench is available, torque to 30-40 inch pounds.

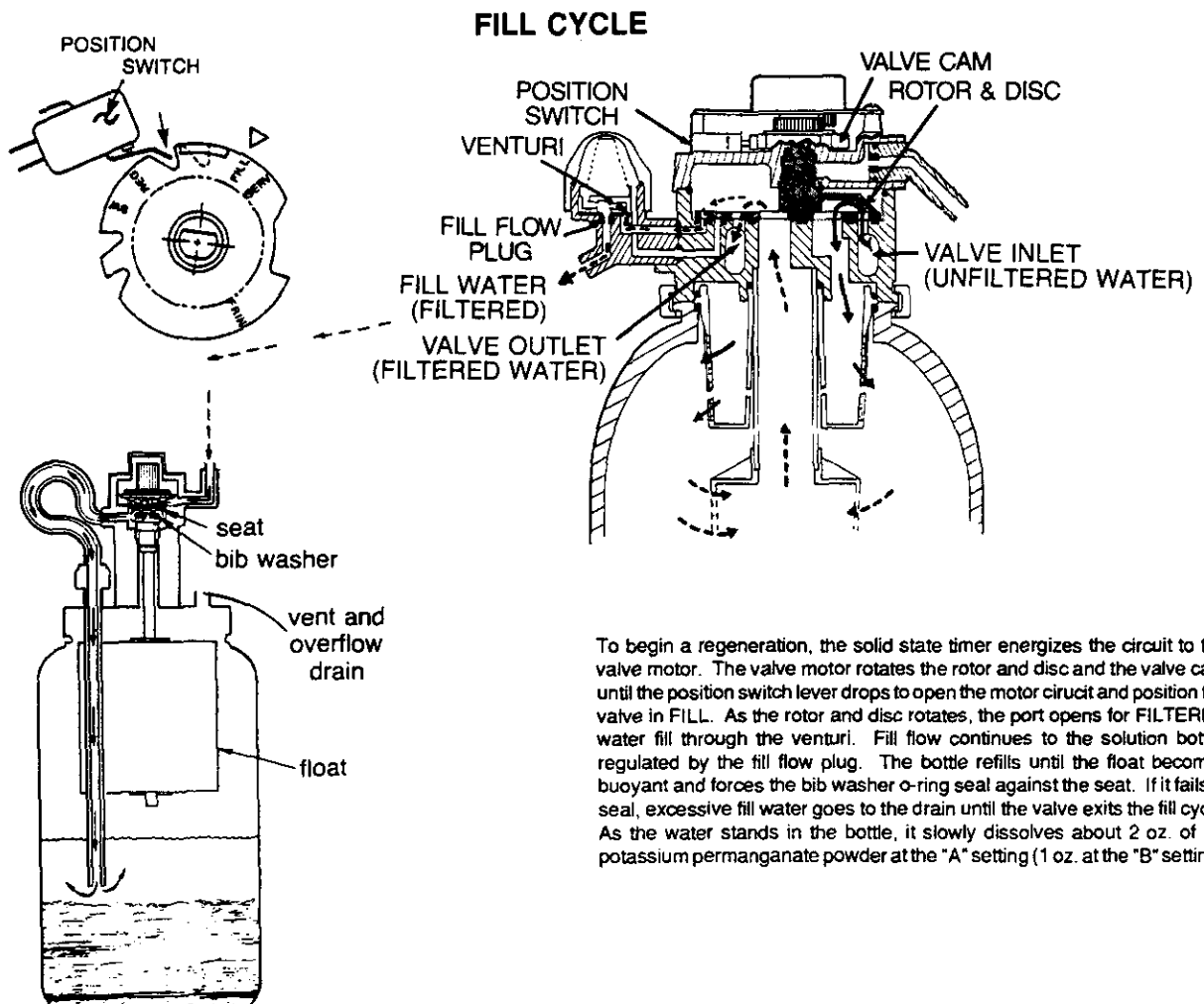
Lubricate the gear on the motor, and the valve cam gear with Molykote grease, or other high quality gear lubricant.

Be sure to orient switch as shown, with lever toward the valve cam.

5F. WATER FLOW THROUGH THE FILTER VALVE



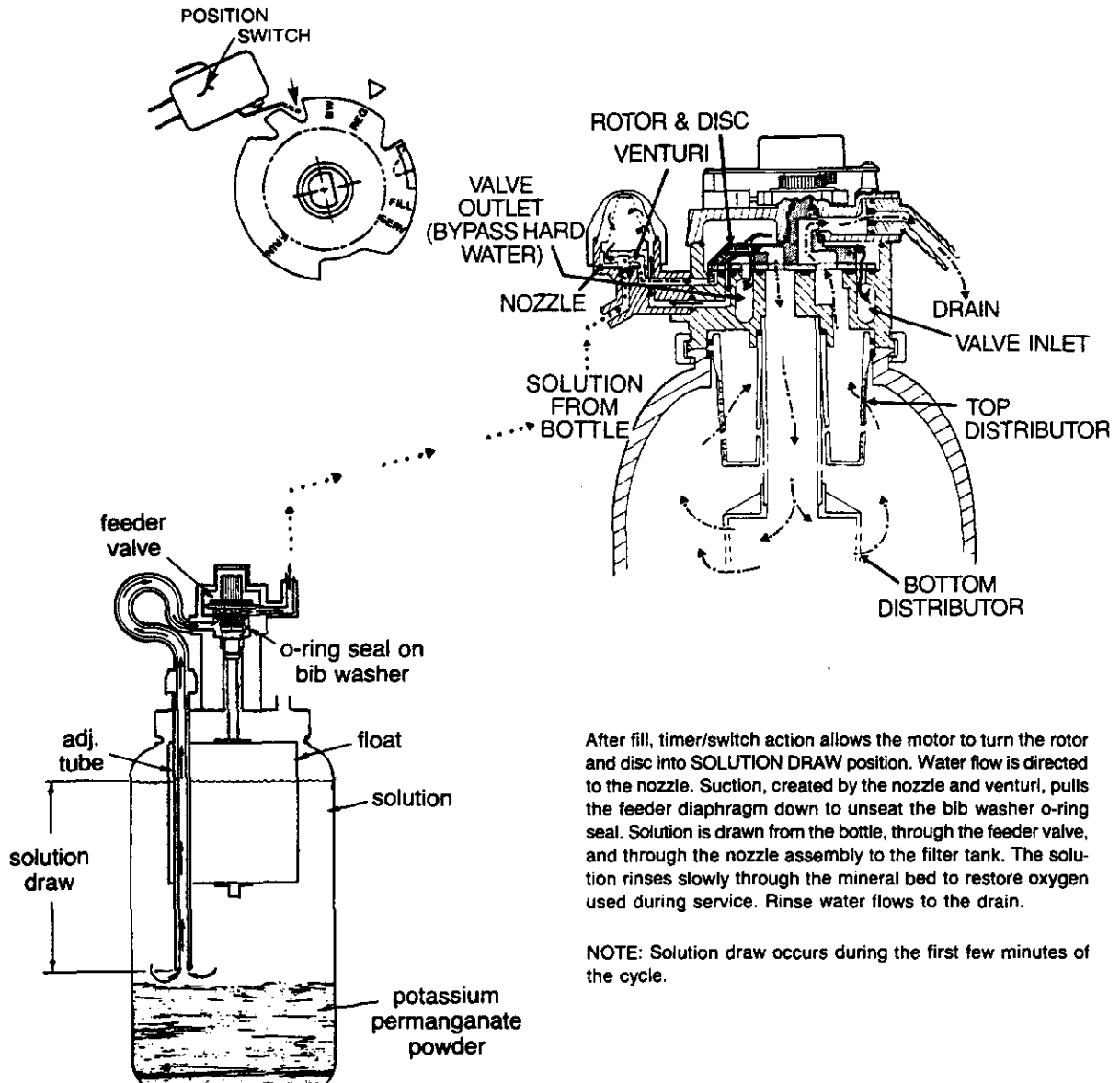
Hard, unfiltered water enters the valve inlet port. Internal valve porting routes the water down and out the top distributor, into the mineral tank. The water is filtered as it passes through the mineral bed, then enters the bottom distributor. Filtered water flows back into the valve and out the valve outlet, to the house filtered water pipes.



To begin a regeneration, the solid state timer energizes the circuit to the valve motor. The valve motor rotates the rotor and disc and the valve cam until the position switch lever drops to open the motor circuit and position the valve in FILL. As the rotor and disc rotates, the port opens for FILTERED water fill through the venturi. Fill flow continues to the solution bottle, regulated by the fill flow plug. The bottle refills until the float becomes buoyant and forces the bib washer o-ring seal against the seat. If it fails to seal, excessive fill water goes to the drain until the valve exits the fill cycle. As the water stands in the bottle, it slowly dissolves about 2 oz. of the potassium permanganate powder at the "A" setting (1 oz. at the "B" setting).

5F. WATER FLOW THROUGH THE FILTER VALVE

SOLUTION DRAW AND RINSE

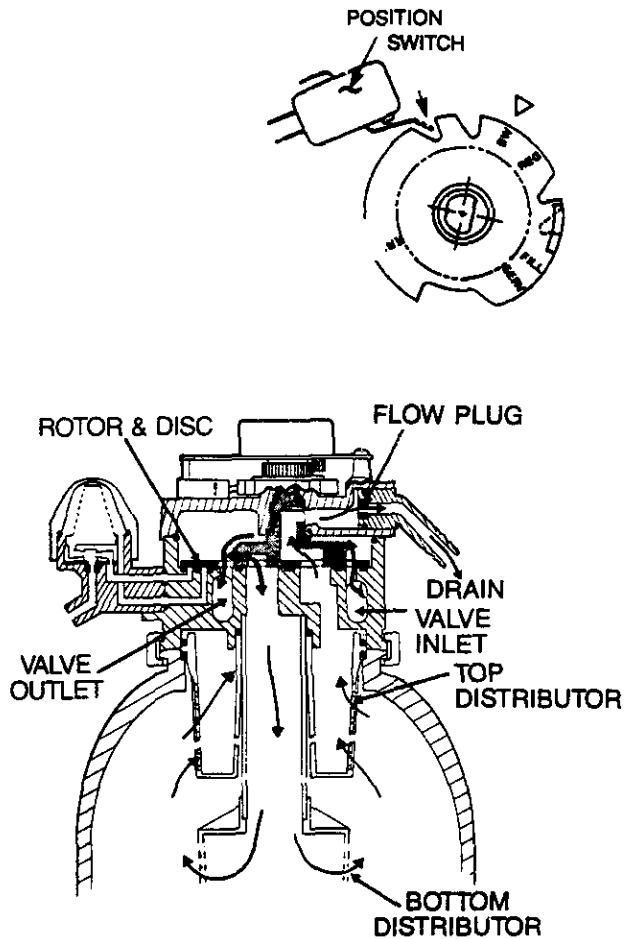


After fill, timer/switch action allows the motor to turn the rotor and disc into SOLUTION DRAW position. Water flow is directed to the nozzle. Suction, created by the nozzle and venturi, pulls the feeder diaphragm down to unseat the bib washer o-ring seal. Solution is drawn from the bottle, through the feeder valve, and through the nozzle assembly to the filter tank. The solution rinses slowly through the mineral bed to restore oxygen used during service. Rinse water flows to the drain.

NOTE: Solution draw occurs during the first few minutes of the cycle.

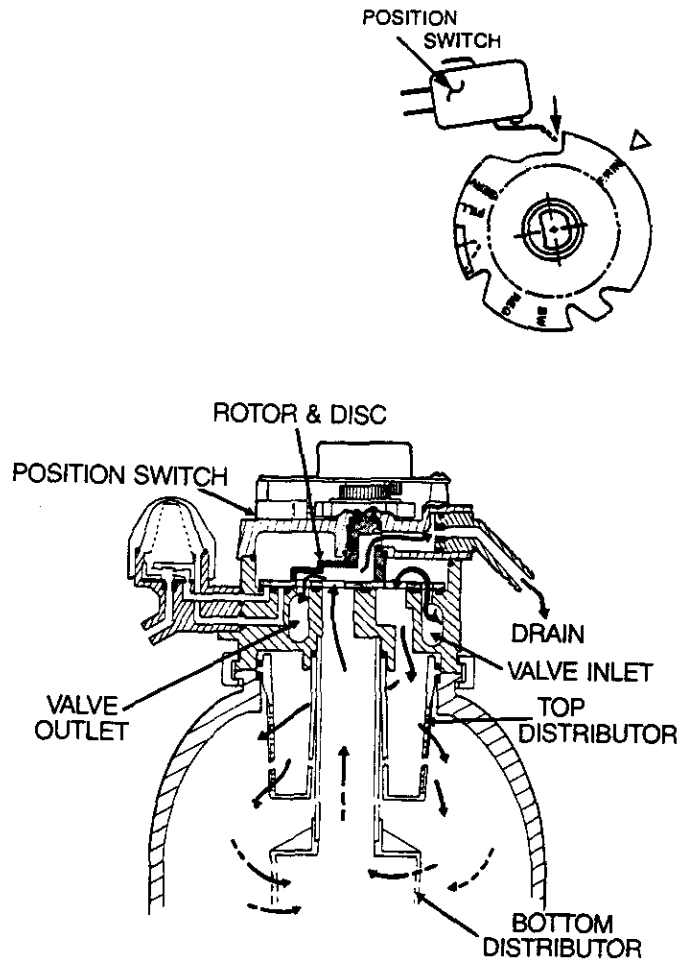
5F. WATER FLOW THROUGH THE FILTER VALVE

BACKWASH CYCLE



Switching action again allows the motor to turn the rotor & disc to place the valve in BACKWASH, stopping water flow to the nozzle. Water is routed down and out the bottom distributor, up through the bed, and out the top distributor to the drain. The fast flow (controlled by a flow plug in the drain fitting) flushes dirt, sediments, iron deposits, and remaining solution to the drain.

FAST RINSE CYCLE



During FAST RINSE, the rotor & disc is positioned so water flow enters the mineral tank through the top distributor, and exits through the bottom distributor, to the drain. The fast flow of water downward through the mineral bed flushes any remaining solution to the drain. The mineral bed is packed and prepared for return to service.

The solid state timer again energizes the motor to return the valve to service. As the valve rotates, the position switch lever drops to open the circuit. The valve remains positioned in service until the timer initiates the next regeneration.

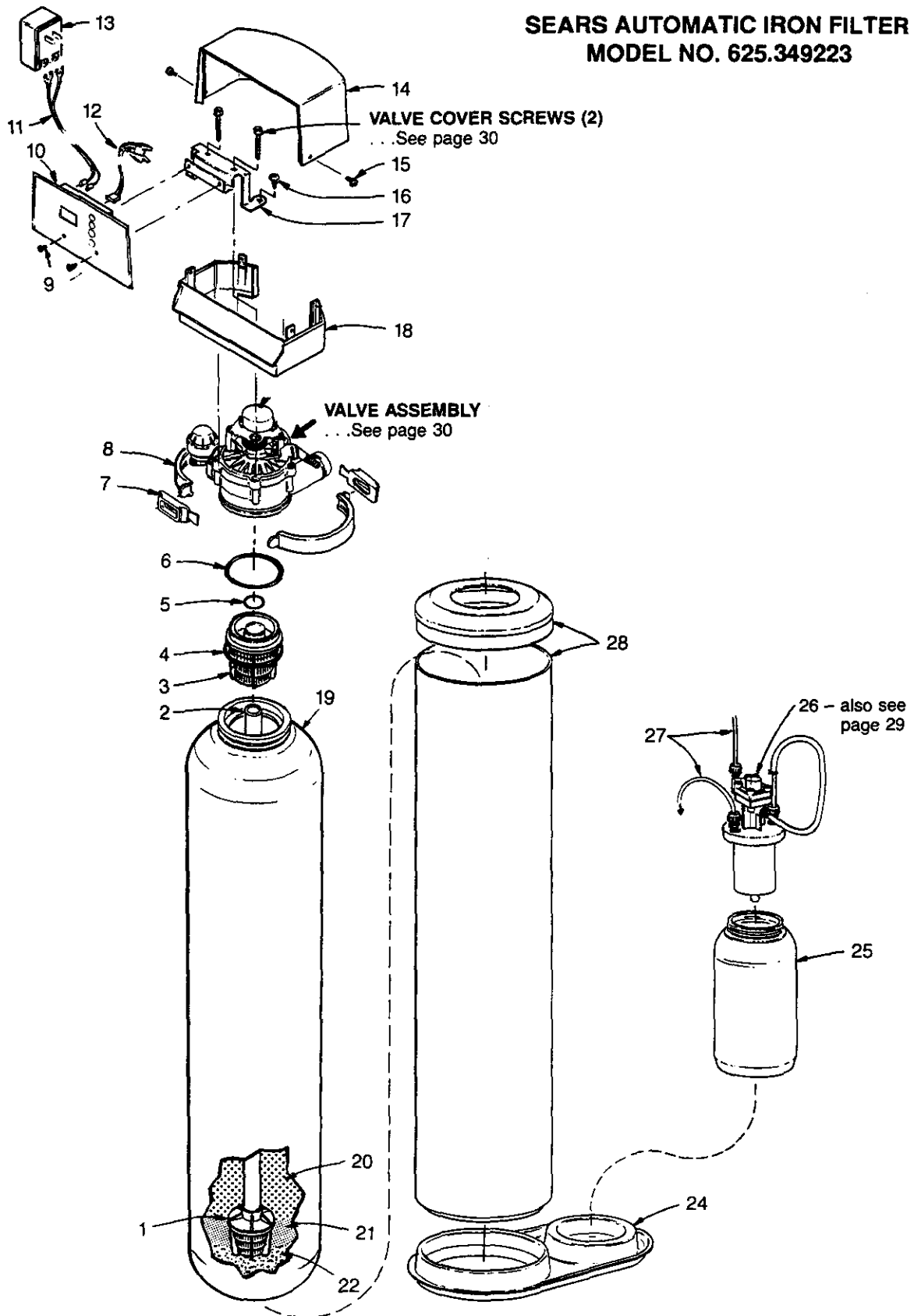
NOTES



SECTION 6

REPAIR PARTS

SEARS AUTOMATIC IRON FILTER MODEL NO. 625.349223

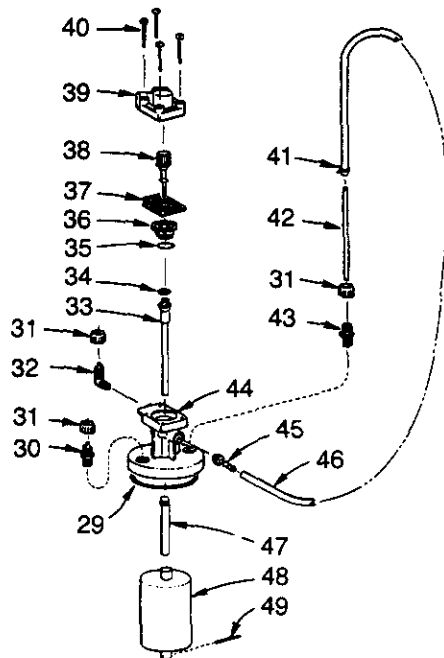


SECTION 6

REPAIR PARTS

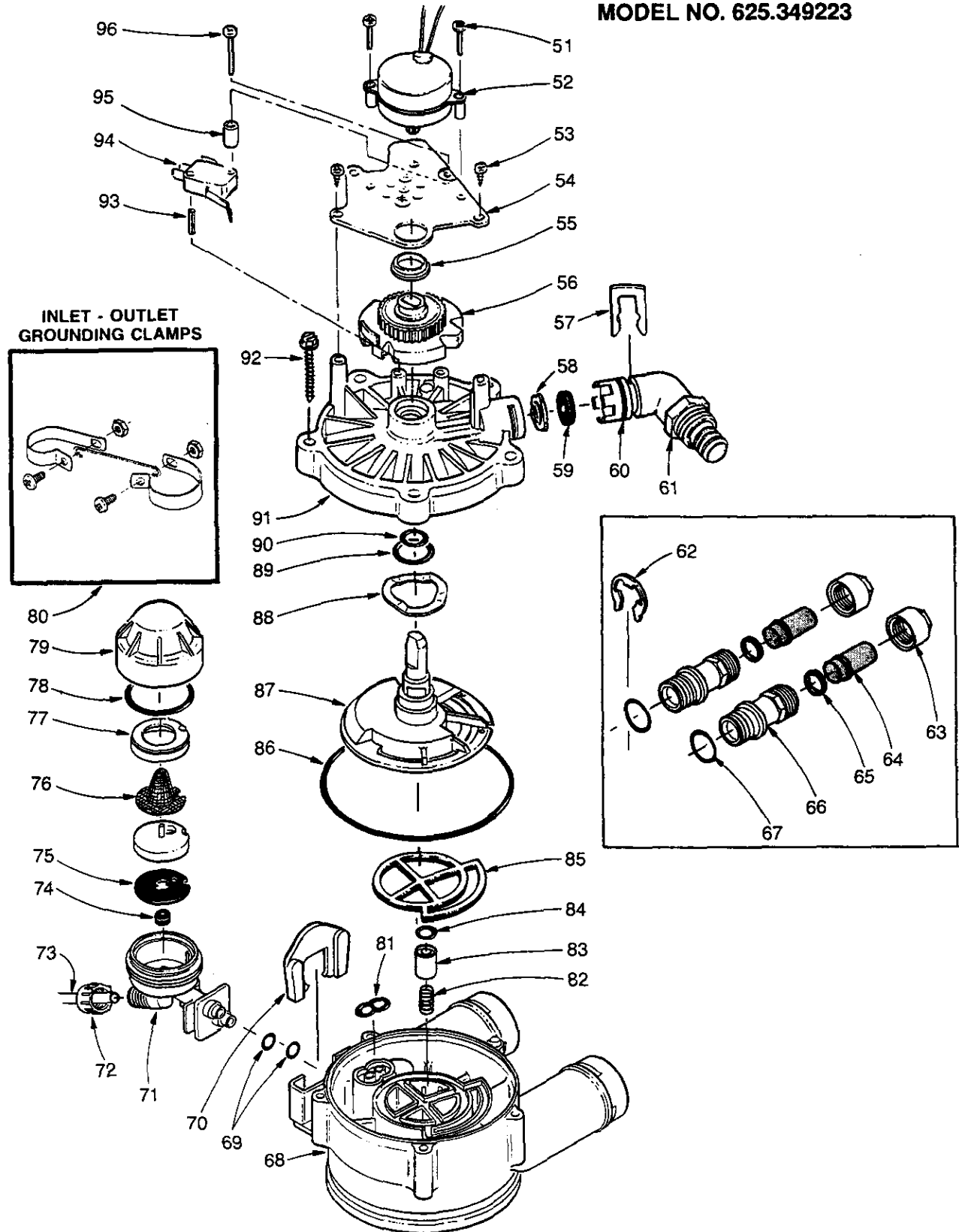
SEARS AUTOMATIC IRON FILTER MODEL NO. 625.349223 PARTS LIST

KEY NO.	PART NUMBER	DESCRIPTION	KEY NO.	PART NUMBER	DESCRIPTION
1	7066497	Bottom Distributor	24	7010739	Tank Base
2	7105047	Repl. Distributor (Incl. Key No. 1)	25	42-34417	Replacement Bottle (Includes 6 lbs. Potassium Permanganate)
3	7088855	Top Distributor	26	7046968	Valve Assembly (Includes Key Nos. 29 through 49)
4	7096183	O-Ring, 2-3/4 x 3	27	1124200	Tubing, 5/16 in. O.D. x 12 ft.
5	0900215	O-Ring, 13/16 x 1-1/16	28	7092210	Shroud
6	7079092	O-Ring, 2-7/8 x 3-1/4	◆	7026196	Base (styrofoam)
7	7088033	Clamp Retainer (2 req.)	29	9001001	O-Ring, 3-7/8 x 4-1/8
8	7088041	Clamp Section (2 req.)	30	7011816	Hose Adaptor (Includes Key No. 31)
9	0900300	Screw, #4-40 x 1/4 (2 req.)	31	1202600	Nut-Ferrule (3 req.)
10	7121734	Face Plate — Timer	32	7011785	Elbow (Includes Key No. 31)
11	7084330	Power Cord	33	7046942	Tube and Adaptor
12	7118333	Wire Harness	34	7111519	O-Ring, 13/32 x 27/32
13	7095373	Transformer, 24V-10VA	35	9000804	O-Ring, 7/8 x 1
14	7144449	Top Cover	36	0516403	Insert Seat
15	7103972	Screw, #8 x 7/16 (4 req.)	37	0504413	Diaphragm
16	0900291	Screw, #8-32 x 3/8 (2 req.)	38	7112735	Main Valve Stem
17	7141530	Cover Bracket	39	0507597	Diaphragm Cap
18	7146734	Bottom Cover	40	9006042	Screw, #10 x 1-1/2 Tapping (4 req.)
19	7092202	Mineral Tank	41	7070666	Hose Clamp
20	4015000	Mineral, 1 cu. ft.	42	7046633	Tubing (Adjustment)
21	0501783	Filter Sand, 10 lbs.	43	1140800	Hose Adaptor (Machined)
22	7124415	Gravel, 17 lbs.	44	7046641	Valve Body
			45	9000601	Hose Adaptor (2 req.)
			46	1136300	Tubing
			47	7046625	Tubing
			48	7046683	Float
			49	7047126	Pin
			◆	7046950	Diaphragm Assem. (Incl. Key Nos. 33 through 38)
			◆	7146611	Installation Manual
			◆	7146742	Owners Manual



◆ Not illustrated

SEARS AUTOMATIC IRON FILTER MODEL NO. 625.349223



SECTION 6

REPAIR PARTS

SEARS AUTOMATIC IRON FILTER MODEL NO. 625.349223

VALVE ASSEMBLY PARTS LIST

KEY NO.	PART NUMBER	DESCRIPTION	KEY NO.	PART NUMBER	DESCRIPTION
51	7131755	Screw, #6-20 x 7/8 (2 req.)	76	7146043	Screen
52	7133008	Motor	77	7089893	Screen Support
53	0900857	Screw, #6-20 x 3/8 (2 req.)	78	7039068	O-Ring, 1-3/16 x 1-3/8
54	7117808	Motor Plate	79	7081188	Cap
55	0503288	Bearing	80	7112997	Ground Clamp Kit ●
56	7113927	Cam and Gear	81	7081764	Seal (Nozzle & Venturi)
57	7142942	Clip (Drain)	82	1219600	Spring
58	7030585	Retainer Washer	83	7092642	Plug (Drain Seal)
59	0509537	Flow Plug	84	7092634	O-Ring, 3/8 x 9/16
60	0900041	O-Ring, 5/8 x 13/16	85	7134224	Rotor Seal
61	7141239	Drain Hose Adaptor	86	9001006	O-Ring, 3-3/8 x 3-5/8
62	7116713	Clip (2 req.) ●	87	7103964	Rotor & Disc
63	0507369	Installation Nut (2 req.) ¹	88	7082087	Wave Washer
64	0507615	Installation Tube (2 req.) ¹	89	7064372	O-Ring, 3/4 x 15/16
65	0900570	Washer (2 req.) ¹	90	7064380	O-Ring, 7/16 x 5/8
66	2207800	Installation Adaptor (2 req.) ●	91	7085263	Valve Cover
67	0900535	O-Ring, 15/16 x 1-3/16 (2 req.) ●	92	7074123	Screw, #10-14 x 2 (5 req.)
68	7082053	Valve Body	93	7077472	Expansion Pin
69	0900064	O-Ring, 1/4 x 3/8 (2 req.)	94	7030713	Switch
70	7081201	Retainer (Nozzle & Venturi)	95	7117816	Spacer
71	7081104	Nozzle & Venturi Housing	96	7070412	Screw, #4-24 x 1-1/8
72	1202600	Nut-Ferrule	◆	7085247	Nozzle & Venturi Assem. (Incl. Key Nos. 71 and 74 through 79)
73	7089267	Tubing	◆	7111941	Small Parts Bag (Includes all items marked with ●)
74	1148800	Flow Plug, .3 gpm	◆	7129716	Seal Kit (Incl. Key Nos. 81, 84, 85, 86, 89 and 90)
75	7114533	Nozzle & Venturi—Gasket Kit			

¹ Not included with filter — available from Sears Stock No. 42-3441

◆ Not illustrated

SEARS

**OWNERS
MANUAL**

SERVICE

**MODEL NO.
625.349223**

**HOW TO ORDER
REPAIR PARTS**

**SHOULD A NEED EVER
EXIST FOR REPAIR
SERVICE OR PARTS:**

**FOR REPAIR SERVICE, CALL
THIS TOLL FREE NUMBER:
1-800-4-REPAIR
(1-800-473-7247)**

**FOR REPLACEMENT PARTS
INFORMATION AND
ORDERING, CALL THIS TOLL
FREE NUMBER:
1-800-FON-PART
(1-800-366-7278)**

**Kenmore
Automatic Iron Filter**

Your Sears Water Filter has added value when you consider that Sears has service units nationwide staffed with Sears trained technicians - professional technicians specifically trained on Sears products, having the parts, tools and equipment to ensure that we meet our pledge to you - **"We Service What We Sell."**

The model number of your water filter is found on the rating decal. This decal is on the backside of the filter top cover.

WHEN ORDERING REPAIR PARTS, ALWAYS GIVE THE FOLLOWING INFORMATION:

- | | |
|----------------|--------------------|
| — PART NUMBER | — PART DESCRIPTION |
| — MODEL NUMBER | — NAME OF ITEM |

All parts listed may be ordered from any Sears Service Center and most Sears Retail stores.

If the parts you need are not stocked locally, your order will be electronically transmitted to a Sears Repair Parts Distribution center for handling.

When Sears arranges the installation, you can be sure the job is done right. We will arrange for professional workmanship . . . and we'll take care of the entire project. What's more, during installation you get insured protection . . . against property damage and also against accidents to workmen. All you have to do is to talk to your Sears salesperson or call your nearest Sears store today for detailed information.

Sears, Roebuck and Co., Chicago, Ill. 60684 U.S.A.
