



WATER SOFTENING SYSTEM

Safety Information 2

Specifications and Performance Claims 3

About the Softener 4

Before you Start 7

Installation Requirements 8

Installation Instructions 11

Programming the Softener 18

Care and Cleaning 25

Routine Maintenance 27

Before you call for Service 28

Exploded View/Parts List 34

Warranty (U.S.) 42

Warranty (Canada) 43

Consumer Support 44

OWNER'S MANUAL AND INSTALLATION INSTRUCTIONS

Model GXSHC40N

ENGLISH/FRANÇAIS/ESPAÑOL

Write the model and serial numbers here:

Model # _____

Serial # _____

To find these numbers, lift the cover and look on the rim below the control panel.



Systems tested and certified by NSF International against NSF/ANSI Standard 44 and certified to NSF/ANSI 372.



Systems Tested and Certified by the Water Quality Association against CSA B483.1.

If you have any questions or concerns when installing or maintaining your water softener, call our toll free number at 800-952-5039 (US) or 866-777-7627 (Canada), or visit **GEAppliances.com**. When you call, please be prepared to provide the model and serial number of your product. This information can be found on the rating decal located on the rim under the salt cover.

GE is a trademark of the General Electric Company. Manufactured under trademark license.

IMPORTANT SAFETY INFORMATION. READ ALL INSTRUCTIONS BEFORE USING

SAFETY PRECAUTIONS

⚠ WARNING

For your safety, the information in this manual must be followed to minimize the risk of electric shock, property damage or personal injury.

⚠ WARNING

A copper or galvanized cold water pipe may be used to ground electrical outlets in the home. Failure to maintain this ground path may result in an electric shock hazard. If the cold water pipe is used to ground electric outlets, please refer to Installing the Ground Wire section before cutting the pipe.

- Check and comply with your state and local codes. You must follow these guidelines.
- Use care when handling the water softening system. Do not turn upside down, drop, drag or set on sharp protrusions.
- Water softening systems using sodium chloride (salt) for recharge add sodium to the water. Persons on sodium restricted diets should consider the added sodium as part of their overall intake. Potassium chloride can be used as an alternative to sodium chloride in your softener.
- Use only lead-free solder and flux for all sweat-solder connections, as required by state and federal codes.
- This water softening system must be properly installed and located in accordance with the installation instructions before it is used.
- Keep the salt hole cover in place on the softener unless servicing the unit or refilling with salt.

In the state of California: You must turn the Salt Efficiency feature setting to ON. This may initiate more frequent recharges. However it will operate at 4,000 grains per pound of salt or higher. To turn on the Salt Efficiency feature, follow the instructions in the “Salt Efficiency” section of this manual.

⚠ WARNING

Do not use with water that is microbiologically unsafe or of unknown quality without adequate disinfection before or after the system.

⚠ WARNING

Discard all unused parts and packaging material after installation. Small parts remaining after the installation could be a choke hazard.

- The water softening system works on 24 volt-60 Hz electrical power only. Be sure to use the included external power supply.
- External power supply must be plugged into an indoor 120 volt, grounded outlet only.
- Use clean water softening salts only, at least 99.5% pure. NUGGET, PELLET or coarse SOLAR salts are recommended. Do not use rock, block, granulated or ice cream making salts. These types of salts may contain dirt and sediments that might mush or cake, creating maintenance issues for the water softener.
- Avoid installing in direct sunlight. Excessive heat may cause distortion or other damage to non-metallic parts.
- If installing the water softener outdoors, do not locate where it will be exposed to wet weather, direct sunlight, extreme hot or cold temperatures, or other forms of abuse.

In the Commonwealth of Massachusetts, Plumbing Code 248 CMR shall be adhered to. Consult with your licensed plumber.

READ AND SAVE THESE INSTRUCTIONS

Specifications and Performance Claims

This model is efficiency rated. The efficiency rating is valid only at the minimum stated salt dose. The softener has a demand initiated regeneration (D.I.R) feature that complies with specific performance specifications intended to minimize the amount of regenerant brine and water used in its operation.

The softener has a rated salt efficiency of not less than 4,000 grains of total hardness exchange per pound of salt (based on sodium chloride), and shall not deliver more salt than its listed rating or be operated at a sustained maximum service flow rate greater than its listed rating. This softener has been proven to deliver soft water for at least ten continuous minutes at the rated service flow rate. The rated salt efficiency is measured by laboratory test described in NSF/ANSI Standard 44. These tests represent the maximum possible efficiency that the system can achieve. Operational efficiency is the actual efficiency after the system has been installed. It is typically less than the efficiency, due to individual application factors including water hardness, water usage, and other contaminants that reduce the softener's capacity.

Specifications	
Model	GXSHC40N
Rated Capacity* (Grains@ Salt Dose)	11,700 @ 2.3 lbs. 31,500 @ 8.7 lbs. 40,000 @ 15.1 lbs.
Rated Efficiency** (Grains/Pound of Salt @ Minimum Salt Dose)	5,090 @ 2.3 lbs.
Water used during Regeneration (gallons/grains)	2.7 /1000
Total Water Used per Regeneration @ Maximum Salt Dose	37.0 gallons
Amount of High Capacity Ion Exchange Resin (lb/cu.ft.)	57.56/1.11
Resin Tank Nominal Size (in., dia. x height)	9 x 40
Service Flow Rate (gpm)	9.5
Pressure Drop at Rated Service Flow (psig)	12.7
Water Supply Maximum Hardness (gpg)	110
Water Supply Maximum Clear Water Iron (ppm)***	8
Water Pressure Limits (minimum-maximum psi)****	20-125
Water Temperature Limits (minimum-max. °F)	40-120
Maximum Flow Rate to Drain (gpm)	2.3

These systems conform to NSF/ANSI 44 for the specific capacity claims as verified and substantiated by test data.

- * Testing was performed using pellet grade sodium chloride as the regenerant salt.
- ** Efficiency rating is valid only at the lowest stated salt dosage. These softeners were efficiency rated according to NSF/ANSI 44.
- *** Extent of iron removal may vary with conditions. The capacity to reduce clear water iron is substantiated by WQA test data. State of Wisconsin requires additional treatment if water supply contains greater than 5 ppm clear water iron. Refer to Cleaning Iron Out of the Water Softening System section.
- **** Canada working pressure limits: 1.4–7.0 kg/cm².

Performance Claims		
Contaminant	Influent Challenge Level	Maximum Allowable Product Water Level
Barium	10 ±10% mg/L	2.0 mg/L
Radium 226/228	25 pCi/L	5pCi/L

Test parameters include: pH = 7.5±0.5, flow rate = 7.5 gpm and dynamic pressure = 35±5 psig

About the water softener system

SERVICE

When the water softening system is providing soft water, it is called "Service." During service, hard water flows from the house main water pipe into the water softening system. Inside the water softening system resin tank is a bed made up of thousands of tiny, plastic resin beads. As hard water passes through the bed, each bead attracts and holds the hard minerals. This is called ion-exchanging. It is much like a magnet attracting and holding metals. Water without hard minerals (soft water) flows from the water softening system and to the house pipes.

After a period of time, the resin beads become coated with hard minerals and they have to be cleaned. This cleaning is called recharge. Recharge is started at 2:00 AM (factory setting) by the water softening system control, and consists of five stages or cycles. These are **FILL, BRINING, BRINE RINSE, BACKWASH and FAST RINSE.**

AUTOMATIC HARD WATER BYPASS DURING RECHARGE

During recharge the water softener is automatically put in bypass mode allowing hard water to be available to the home. Once the softener is recharged water is directed back through the softener to be conditioned.

However, you should avoid using HOT water because the water heater will fill with the hard water.

FILL

Salt dissolved in water is called brine. Brine is needed to clean the hard minerals from resin beads. To make the brine, water flows into the salt storage area during the fill stage.

BACKWASH

During backwash, water travels up through the resin tank at a fast flow rate, flushing accumulated iron, dirt and sediments from the resin bed and to the drain.

BRINING

During brining, brine travels from the salt storage area into the resin tank. Brine is the cleaning agent needed to remove hard minerals from the resin beads. The hard minerals and brine are discharged to the drain.

FAST RINSE

Backwash is followed by a fast flow of water down through the resin tank. The fast flow flushes brine from the bottom of the tank, and packs the resin bed.

The nozzle and venturi create a suction to move the brine, maintaining a very slow rate to get the best resin cleaning with the least salt.

After fast rinse, the water softening system returns to soft water service.

BRINE RINSE

After a pre-measured amount of brine is used, the brine valve closes. Water continues to flow in the same path as during brining, except for the discontinued brine flow. Hard minerals and brine flush from the resin tank to the drain.

About the water softener system

NORMAL OPERATION, CONTROL DISPLAYS

During normal operation, the present time of day and AM or PM and **DAYS TO EMPTY** show in the control display area.

The system will automatically recharge at the preset recharge time as needed.

FEATURE: OPTIONAL RECHARGE CONTROLS

Sometimes, a manually started recharge may be desired or needed. Two examples:

- You have used more water than usual (house guests, extra washing, etc.) and you may run out of soft water before the next recharge.
- The system ran out of salt.

Use one of the following features to start a recharge immediately, or at the next preset recharge start time.

RECHARGE TONIGHT

Touch (do not hold) the **RECHARGE** button. **RECHARGE TONIGHT** flashes in the control display area. A recharge will occur at the next preset recharge start time. If you decide to cancel this recharge, touch the same button once more.

RECHARGE NOW

Press and hold the **RECHARGE** button until **RECHARGE NOW** starts to flash in the control display area. The water softening system begins an immediate recharge and, when over in about two hours, you will have a new supply of soft water. Once started, you cannot cancel this recharge.

FEATURE: MEMORY

If electrical power to the water softening system is interrupted, the control display is blank, and the blue indicator light is off, but the control keeps correct time for 24 hours. When power is restored, you have to reset the present time only if the display and blue indicator light are flashing. All other settings are maintained and never require resetting unless a change is desired.

If the time is flashing after a long power outage, the water softening system continues to work as it should to provide you with soft water. However, recharge may occur at the wrong time of day until you reset the control to the correct time of day.

FEATURE/SERVICE: AUTOMATIC ELECTRONIC DIAGNOSIS

The control computer has a self-diagnostic function for the electrical system (except input power and water meter). The computer monitors the electronic components and circuits for correct operation. If a malfunction occurs, an error code appears in the control display.

About the water softener system

WATER CONDITION INFORMATION

IRON

Iron in water can cause stains on clothing and plumbing fixtures. It can negatively affect the taste of food, drinking water, and other beverages. Iron in water is measured in parts per million (ppm). The total* ppm of iron, and type or types*, is determined by chemical analysis. Four different types of iron in water are:

- Ferrous (clear water) iron
- Ferric (red water) iron
- Bacterial and organically bound iron
- Colloidal and inorganically bound iron (ferrous or ferric)

Ferrous (clear water) iron is soluble and dissolves in water. This water softener will reduce moderate amounts of this type of iron (see specifications).**Ferrous (clear water) iron is usually detected by taking a sample of water in a clear bottle or glass. Immediately after taking, the sample is clear. As the water sample stands, it gradually clouds and turns slightly yellow or brown as air oxidizes the iron. This usually occurs in 15 to 30 minutes.

When using the softener to reduce Ferrous (clear water) iron, add 5 grains to the hardness setting for every 1 ppm of Ferrous (clear water) iron. See “Set Water Hardness Number” section.

Ferric (red water), and bacterial and organically bound irons are insoluble. This water softener will not remove ferric or bacterial iron. This iron is visible immediately when drawn from a faucet because it has oxidized before reaching the home. It appears as small cloudy yellow, orange, or reddish suspended particles. After the water stands for a period of time, the particles settle to the bottom of the container. Generally these irons are removed from water by filtration. Chlorination is also recommended for bacterial iron.

Colloidal and inorganically bound iron is of ferric or ferrous form that will not filter or exchange out of water. This water softener will not remove colloidal iron. In some instances, treatment may improve colloidal iron water. Colloidal iron water usually has a yellow appearance when drawn. After standing for several hours, the color persists and the iron does not settle, but remains suspended in the water.

SEDIMENT FILTER (BUILT IN)

Sediment is fine, foreign material particles suspended in water. This material is most often clay or silt. Extreme amounts of sediment may give the water a cloudy appearance. The built in sediment filter keeps larger particles of sediment from entering the home plumbing system. As water passes through the softener, the larger sediment particles are collected in the integrated basket and then rinsed to the drain before each regeneration. The sediment filter feature provides added protection for water using appliances by reducing the chance of larger particles entering the various products valves and screens.

IMPORTANT: The sediment filter is not intended to replace pretreatment filtration. For problem water applications, additional sediment filtration is recommended.

CHLORINE

Softener resins may degrade in the presence of chlorine above 2 ppm. If you have chlorine in excess of this amount, you may experience reduced life of the resin. In these conditions, you may wish to consider purchasing a GE Appliances point-of-entry household filtration system with a chlorine reducing filter.

* Water may contain one or more of the four types of iron and any combination of these. Total iron is the sum of the contents.

** Capacity to reduce clear water iron is substantiated by WQA test data.

Before you start

BEFORE YOU START

- The water softener requires a minimum water flow of 3 gallons per minute at the inlet. Maximum allowable inlet water pressure is 125 psi. If daytime pressure is over 80 psi, nighttime pressure may exceed the maximum. Use a pressure reducing valve if necessary (Adding a pressure reducing valve may reduce the flow). If your home is equipped with a back flow preventer, an expansion tank must be installed in accordance with local codes and laws.
- The water softener uses a direct plug-in external power supply (included). Be sure to use the included power supply and plug it into a nominal 120V, 60 cycle household outlet that is in a dry location only, grounded and properly protected by an over current device such as a circuit breaker or fuse.
- WiFi communication requires WiFi connectivity and electrical power at the location of the softener. App connectivity will not function should either fail. (Check for both before the system is fully installed.)
- Do not use this system to treat water that is microbiologically unsafe or of unknown quality without adequate disinfection upstream or downstream of the system.

TOOLS AND MATERIALS REQUIRED FOR INSTALLATION

- Pliers
- Screwdriver
- Razor knife
- Two adjustable wrenches
- Teflon tape
- 2 fittings to connect household plumbing to 1" NPT threads on softening adaptors.
- Additional installation parts may be required:
 - UL-approved grounding clamps and 6-gauge copper grounding wire.

INSPECT SHIPMENT

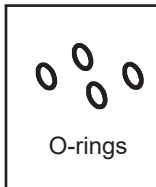
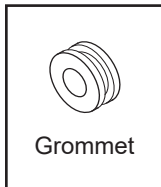
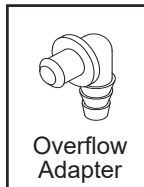
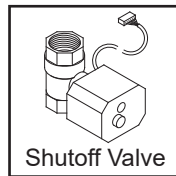
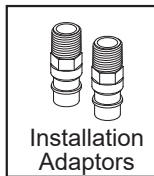
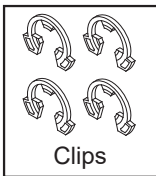
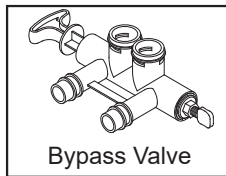
Make sure all the parts shown below are present. Additional parts must be purchased to complete the installation. Thoroughly check the water softener for possible shipping damage and parts loss. Also inspect and note any damage to the shipping carton.

Remove and discard (or recycle) all packing materials. To avoid loss of small parts, we suggest you keep the small parts in the parts bag until you are ready to use them.

⚠ WARNING

Discard all unused parts and packaging material after installation. Small parts remaining after the installation could be a choke hazard.

NOTE: Failure to comply with these installation instructions will void the product warranty, and the installer will be responsible for any service, repair or damages caused thereby.



Installation Requirements

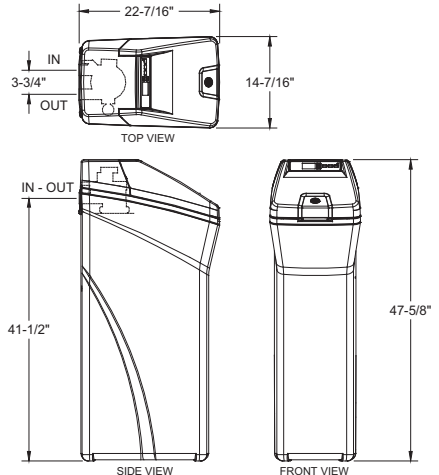
LOCATION REQUIREMENTS

Consider all of the following when selecting an installation location for the water softener.

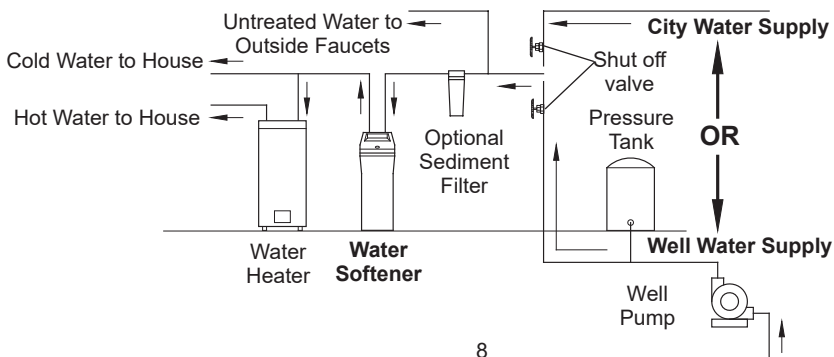
- Do not locate the water softener where freezing temperatures occur. Do not attempt to treat water over 120°F. **Freezing temperatures or hot water damage voids the warranty.**
- To condition all water in the home, install the water softener close to the water supply inlet, and upstream of all other plumbing connections, except outside water pipes. Outside faucets should remain on hard water to avoid wasting conditioned water and salt.
- A nearby drain is needed to carry away regeneration discharge (drain) water. Use a floor drain, laundry tub, sump, standpipe, or other options (check your local codes). See "Air Gap Requirements" and "Valve Drain Requirements" sections.
- The water softener uses a direct plug-in external power supply (included). Be sure to use the included power supply and plug it into a nominal 120V, 60 cycle household outlet that is in a dry location only, grounded and properly protected by an over current device such as a circuit breaker or fuse.
- Always install the water softener between the water inlet and water heater. Any other installed water conditioning equipment should be installed between the water inlet and water softener (See Figure below).
- If installing the water softener outdoors, do not locate where it will be exposed to wet weather, direct sunlight, extreme hot or cold temperatures, or other forms of abuse.

- **DO NOT RUN HOT WATER THROUGH THE SOFTENER.** Temperature of water passing through the softener must be less than 120° F.
- Avoid installing in direct sunlight. Excessive sun heat may cause distortion or other damage to non-metallic parts.
- When installing in an outside location you must take steps necessary to assure the softener, installation plumbing and wiring, are protected from the elements, direct sunlight, contamination, vandalism, insects, vermin, etc.
- Do not install the softener where it would block access to the water heater or access to the main water shutoff.

DIMENSIONS



PROPER ORDER TO INSTALL WATER TREATMENT EQUIPMENT



Installation Requirements

PLUMBING CODES

All plumbing must be completed in accordance with national, state and local plumbing codes.

In the state of Massachusetts: The Commonwealth of Massachusetts plumbing code 248-CMR shall be adhered to. A licensed plumber shall be used for this installation.

AIR GAP REQUIREMENTS

A drain is needed for regeneration water (See Figure 1). A floor drain, close to the water softener, is preferred. A laundry tub, standpipe, etc. are other drain options. Secure valve drain hose in place. Leave an air gap of 1-1/2" between the end of the hose and the drain. This gap is needed to prevent back flow of sewer water into the water softener. Do not put the end of the drain hose into the drain.

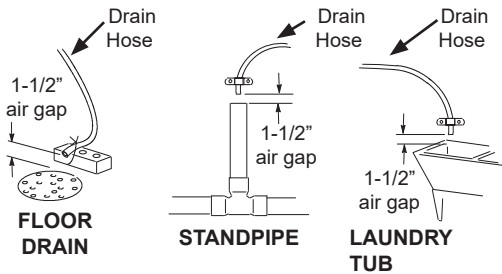


Figure 1

VALVE DRAIN REQUIREMENTS

Using the flexible drain hose (included) (See Figure 2), measure and cut to the length needed. Flexible drain hose is not allowed in all localities (check your plumbing codes). If local codes do not allow use of a flexible drain hose, a rigid valve drain run must be used. Purchase a compression fitting (1/4 NPT x 1/2 in. minimum tube) and 1/2" tubing from your local hardware store. Plumb a rigid drain as needed (See Figure 3).

NOTE: Avoid drain hose runs longer than 30 feet. Avoid elevating the hose more than 8 feet above the floor. Make the valve drain line as short and direct as possible.

FLEXIBLE DRAIN LINE

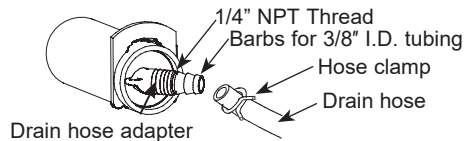


Figure 2

RIGID DRAIN LINE

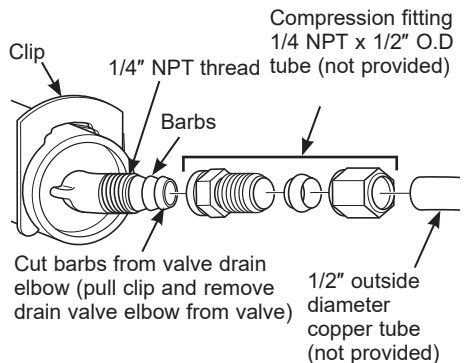


Figure 3

Installation Requirements

INLET/OUTLET PLUMBING REQUIREMENTS

Always install either a single bypass valve (provided), as shown in Figure 4, or, if desired, parts for a 3 valve bypass system (not included) can be purchased and assembled, as shown in Figure 5. Bypass valves allow you to turn off water to the softener for maintenance if needed, but still have water in house pipes.

Pipe fittings must be 1/2" minimum.

Use:

- Copper pipe
- Threaded pipe
- PEX (Crosslinked Polyethylene) pipe
- CPVC plastic pipe
- Other pipe approved for use with potable water

IMPORTANT: Do not solder with plumbing attached to installation adaptors and single bypass valve. Soldering heat will damage the adaptors and valve.

SINGLE BYPASS VALVE

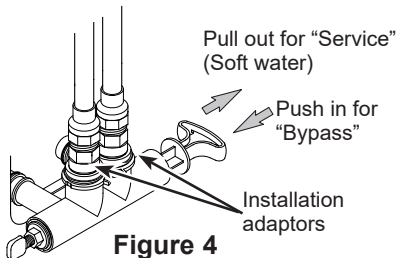


Figure 4

3-VALVE BYPASS SYSTEM

For soft water service: Open the inlet and outlet valves and close the bypass valve.

For bypass hard water: Close the inlet and outlet valves and open the bypass valve.

3 VALVE BYPASS

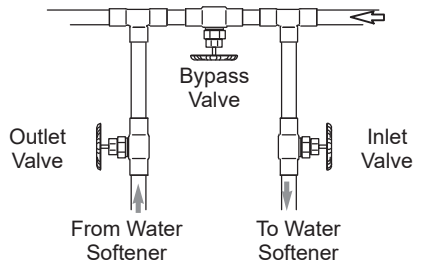


Figure 5

⚠ WARNING

A copper or galvanized cold water pipe may be used to ground electrical outlets in the home. Failure to maintain this ground path may result in an electric shock hazard. If the cold water pipe is used to ground electric outlets, please refer to Installing the Ground Wire section before cutting the pipe.

Installation Instructions

TYPICAL INSTALLATION

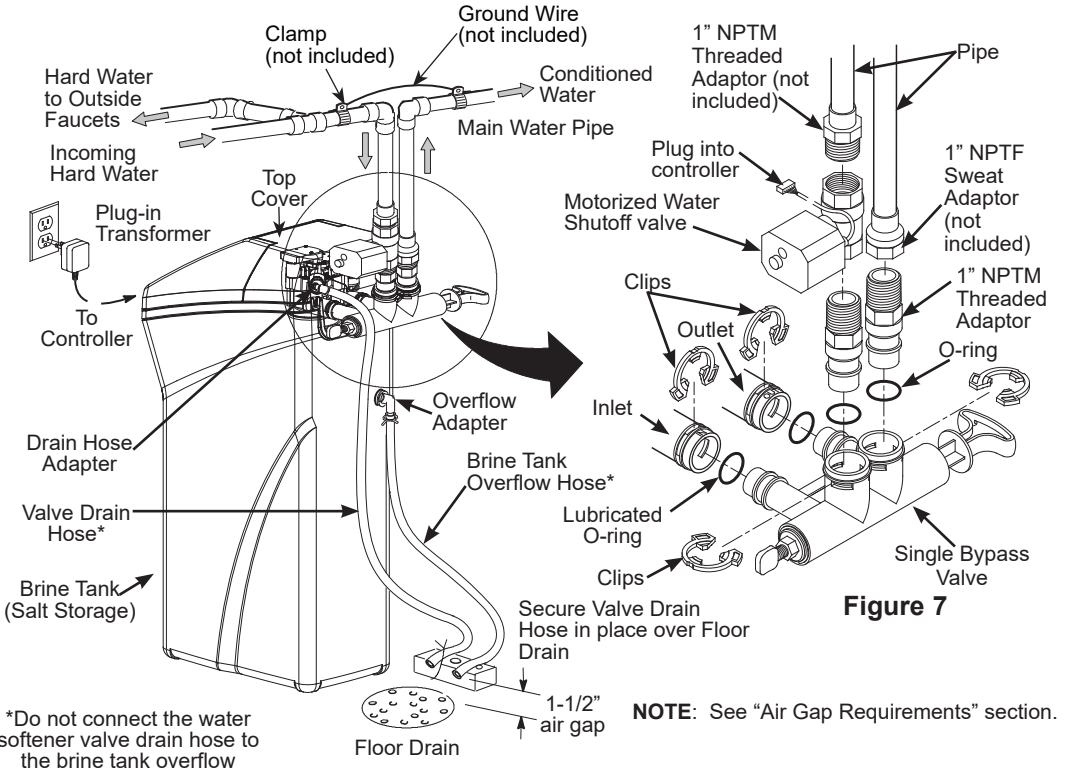


Figure 6

Figure 7

- Remove plastic shipping plug and wire from valve outlet.

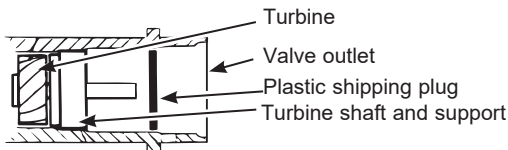


Figure 8

NOTE: Be sure the turbine and support are firmly in place in the valve outlet. Blow into the valve port and observe the turbine for free rotation.

Installation Instructions

TURN OFF WATER SUPPLY

1. Close the main water supply valve, located near the well pump or water meter.
2. Open all faucets to drain all water from house pipes.

NOTE: Be sure not to drain water from the water heater, as damage to the water heater elements could result.

INSTALL BRINE TANK OVERFLOW ADAPTER

Install the brine tank overflow grommet and adapter in the 13/16" diameter hole in the back of the salt storage tank sidewall, (see Figure 9).

NOTE: The brine tank overflow adapter accepts either 1/2" or 3/8" I.D. hose.

INSTALL THE BYPASS VALVE

NOTE: For easier installation, remove the top cover. Release 2 clips at rear of cover. Rotate cover forward and lift up.

1. Remove two clips from the water softener valve inlet and outlet ports and visually check and remove any debris, (see Figure 7).
2. Make sure the turbine assembly spins freely in the "out" port of the valve, (see Figure 8).
3. If not already done, put a light coating of silicone grease (provided) on the single bypass valve o-rings, (see Figure 7).
4. Push the single bypass valve into the softener valve as far as it will go. Snap the two large holding clips into place, from the top down, (see Figure 7 and 10).

IMPORTANT: Be sure the clips snap firmly into place so the single bypass valve will not pull out.

MOVE WATER SOFTENER INTO PLACE

⚠ WARNING Excessive Weight Hazard

Use two or more people to move and install water softener. Failure to do so can result in back or other injury.

1. Move the water softener into the desired location. Set it on a solid, level surface.

IMPORTANT: Do not place shims directly under the salt storage tank to level the softener. The weight of the tank, when full of water and salt, may cause the tank to fracture at the shim.

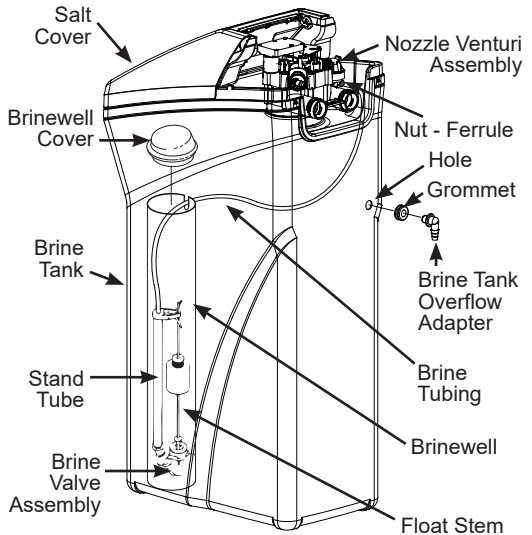
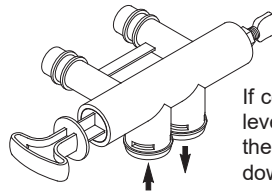


Figure 9

NOTE: Unit is shown with top cover removed.

SINGLE BYPASS VALVE



If connecting to floor level plumbing, install the bypass valve turned downward, as shown.

CORRECT ASSEMBLY

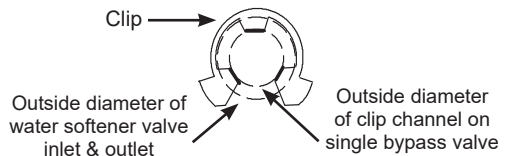


Figure 10

NOTE: Be sure all 3 tabs of the clip go through the matching holes on the water softener valve inlet or outlet, and fully into the channel on the single bypass valve. Make sure that the tabs are fully seated.

Installation Instructions

GETTING ACCESS TO MAIN CONTROL BOARD (TO PLUG IN WATER SHUTOFF VALVE)

INSTALL MOTORIZED WATER SHUTOFF VALVE

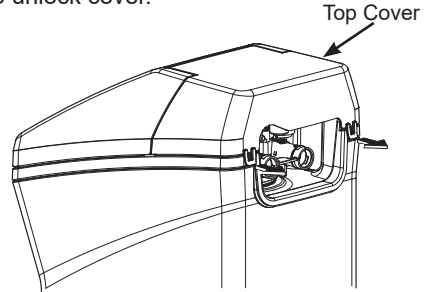
Install the included water shutoff valve on the threaded installation adapter leading to the water softener's INLET. Optionally, it may be installed elsewhere in the plumbing upstream of the water softener inlet, making sure that the 10 foot long cable will reach the water softener's main control board (see illustration). The shutoff valve's inlet and outlet are female 1" NPT. Support the weight of the shutoff valve.

After completing plumbing, make sure that the water softener is not powered up, and plug the cable from the shutoff valve into the corresponding connector on the main control board (see illustration at right).

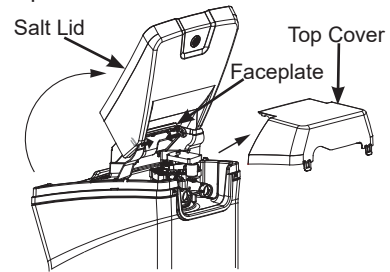
NOTE: The shutoff valve may be operated manually by pulling out and turning the knob on the shutoff valve body, although there is no need to do this when installing.

CAUTION Do not place fingers into the motorized shutoff valve when it is plugged into the electronic controller.

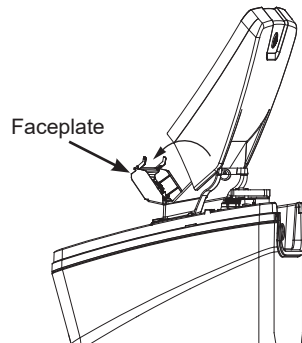
1. Pull out both tabs on back of the top cover to unlock cover.



2. Tilt top cover upward and lift off.
3. Open salt lid and tilt back until it rests.
4. Pull both tabs toward center to unlock faceplate.

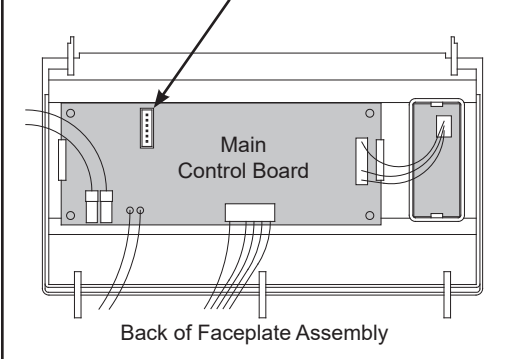


5. Tilt faceplate forward to expose back of the control board.



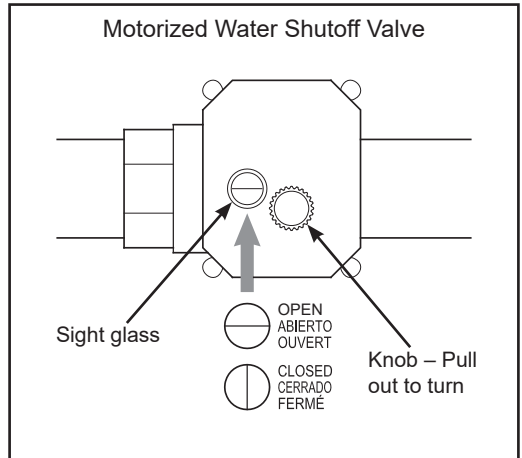
Installation Instructions

6. With power off, plug the shutoff valve's cable into this connector.



MOTORIZED WATER SHUTOFF VALVE

To manually operate the motorized water shutoff valve, pull out the round knob on the valve and turn it until the red line in the sight glass matches the desired (open or closed) position. See illustration below.



Installation Instructions

COMPLETE INLET AND OUTLET PLUMBING

⚠ WARNING

A copper or galvanized cold water pipe may be used to ground electrical outlets in the home. Failure to maintain this ground path may result in an electric shock hazard. If the cold water pipe is used to ground electric outlets, please refer to Installing the Ground Wire section before cutting the pipe.

IMPORTANT: This water softener has a non-metallic valve system. Installing it on metal plumbing will break electrical continuity, which may interrupt grounding for the home. You must restore electrical continuity in your metal plumbing system.

If you install a 3-valve bypass system (Figure 5), electrical continuity will be maintained. If you install the non-metallic bypass valve (Figure 11), please refer to the Installing the Ground Wire section before cutting the pipe.

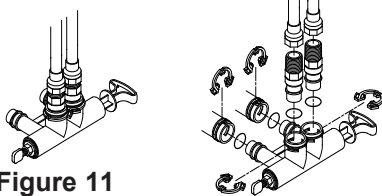


Figure 11

Measure, cut, and loosely assemble pipe and fittings from the main water pipe to the inlet and outlet ports of the water softener valve. Be sure to keep fittings fully together, and pipes squared and straight.

BE SURE INCOMING HARD WATER SUPPLY IS DIRECTED TO THE SOFTENER VALVE INLET PORT.

NOTE: Inlet and outlet are marked on the water softener valve. Trace the water flow direction to be sure hard water is to inlet.

IMPORTANT: Be sure to fit, align and support all plumbing to prevent putting stress on the water softener valve inlet and outlet. Stress from misaligned or unsupported plumbing may cause damage to the valve.

- If making a soldered copper installation, do all sweat soldering before connecting pipes to the NPT adapters and bypass valve. Torch heat will damage plastic parts.

⚠ WARNING

If solder is used to make pipe connection use only lead free solder and flux to prevent lead poisoning.

- When turning threaded pipe fittings onto plastic fittings, use care not to cross-thread.
- Use Teflon Tape on all external pipe threads.

Complete the inlet and outlet plumbing for the type of pipe you will be using. Secure ground clamp to metal pipes.

INSTALLING THE GROUND WIRE

NOTE: If your house plumbing is plastic, it would not be used as a grounding path, and this step should be skipped.

IMPORTANT: A copper or galvanized cold water pipe is often used to ground electrical outlets in the home. **Grounding protects you from electrical shock.** The water softener may have broken this ground path. To restore connection, install a 12"-long, 6-gauge copper wire across and tightly clamp using UL-approved 1/2"-1" bronze grounding clamps at both ends as shown (Figure 12). Zinc clamps should not be used on copper plumbing. Wire and clamps may be purchased separately from your local hardware store.

1. Clean copper pipe and ends of wire with emery paper. Bare wire is recommended. If insulated wire is used, it should be stripped 3/4" at each end before cleaning with emery paper.
2. Attach bronze clamps to pipe. Tighten screws.
3. Attach to clamps as shown. Tighten screws.

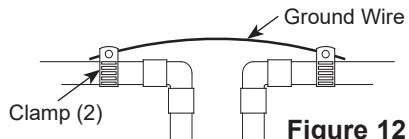


Figure 12

NOTE: If you are installing a sediment filter or other item(s) into the plumbing system, along with the water softener, be sure to restore electrical continuity across all removed metal pipe sections.

Installation Instructions

INSTALL VALVE DRAIN HOSE

1. Measure and connect the 3/8" drain line (provided) to the water softener valve drain fitting. Use a hose clamp to hold the hose in place.

NOTE: Avoid drain hose runs longer than 30 feet. Avoid elevating the hose more than 8 feet above the floor. Make the valve drain line as short and direct as possible.

IMPORTANT: If codes require a rigid drain line see "Valve Drain requirements" section.

2. Route the drain hose or copper tubing to the floor drain or other suitable drain point. Secure drain hose. This will prevent "whipping" during regenerations. See "Air Gap Requirements" section (Figure 1).
3. Cut and secure the hose.

NOTE: The softener will not work if the water cannot exit the drain hose during recharge.

INSTALL BRINE TANK (SALT STORAGE) OVERFLOW HOSE

1. Measure, cut to needed length and connect the 3/8" drain line (provided) to the salt storage tank overflow elbow and secure in place with a hose clamp.
2. Route the hose to the floor drain, or other suitable drain point **no higher** than the drain fitting on the salt storage tank (This is a gravity drain). If the tank overfills with water, the excess water flows to the drain point. Cut the drain line to the desired length and route it neatly out of the way.

IMPORTANT: For proper operation of the water softener, do not connect the water softener valve drain tubing to the salt storage tank overflow hose.

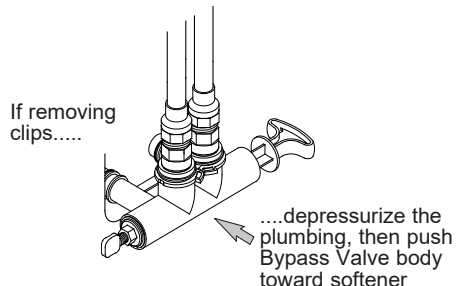
RINSE OUT CARBON FINES

Small particles of carbon filtration material are generated during manufacturing and shipping. These particles will exit the media tank with the first water that flows through the softener. These carbon "fines" are not harmful, but give the water a gray color and should be rinsed down the drain before any water from the softener is directed to the home's faucets or water heater.

TEST FOR LEAKS

To prevent air pressure in the water softener and plumbing system, complete the following steps in order:

1. Fully open two or more softened cold water faucets close to the water softener, located down stream from the water softener.
2. Place the bypass valve (single or 3 valve) into the "bypass" position (see Figures 4 or 5).
3. Slowly open the main water supply valve. Run water until there is a steady flow from the opened faucets, with no air bubbles.
4. Place bypass valve(s) in "service" or soft water position as follows:
 - Single bypass valve (Figure 4): Slowly move the valve stem toward "service," pausing several times to allow the water softener to fill with water.
 - 3 valve bypass (Figure 5): Fully close the bypass valve and open the outlet valve. Slowly open the inlet valve, pausing several times to allow the water softener to fill with water.
5. After about three minutes, open a hot water faucet until there is a steady flow and there are no air bubbles, then close this faucet.
6. Close all cold water faucets and check for leaks at the plumbing connections that you made.
7. Check for leaks around clips at softener's inlet and outlet. If a leak occurs at a clip, depressurize the plumbing (turn off the water supply and open faucets) before removing clip. When removing clips at the softener's inlet or outlet, push the single bypass valve body toward the softener (See Figure 13). Improper removal may damage clips. Do not reinstall damaged clips.



Installation Instructions

ADD WATER AND SALT TO THE SALT STORAGE TANK

⚠ WARNING

EXCESSIVE WEIGHT HAZARD:

Use two or more people to move and lift salt bags. Failure to do so can result in back or other injuries.

1. Using a container, add about three gallons of clean water into the salt storage tank.
2. Add salt to the storage tank. Use nugget, pellet or coarse solar salts with less than 1% impurities.

PLUG IN THE WATER SOFTENER

1. Plug the water softener into an electrical outlet that is not controlled by a switch.
2. Replace the top cover.
3. Replace the salt hole cover.

NOTE: The water heater is filled with hard water and, as hot water is used, it will refill with conditioned water. In a few days, the hot water will be fully conditioned. To have fully conditioned hot water immediately, wait until the initial recharge is over. Then, drain the water heater (following instructions for water heater) until water runs cold.

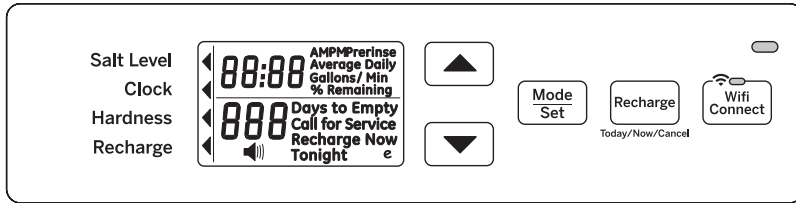
⚠ WARNING

Discard all unused parts and packaging material after installation. Small parts remaining after the installation could be a choke hazard.

SANITIZE THE WATER SOFTENER / SANITIZE AFTER SERVICE

1. Open salt hole cover, remove the brinewell cover and pour about 3 oz. (6 tablespoons) of household bleach into the softener brinewell. Replace the brinewell cover.
2. Make sure the bypass valve(s) is in the "service"(open) position.
3. Start a recharge (regeneration) as follows: Press the **RECHARGE** button and hold for three seconds, until "RECHARGE NOW" begins to flash in the display, starting a recharge. This recharge draws the sanitizing bleach or brine into and through the water softener. Any air remaining in the water softener is purged to the drain. During this time periodically check for leaks.
NOTE: As with all other water system applications, leaks may occur. Leaks may not be immediately apparent. Recheck 24 hours after first recharge cycle is complete.
4. After the recharge has completed, fully open a cold water faucet, downstream from the softener, and allow 50 gallons of water to pass through the system. This should take at least 20 minutes. Close the faucet.

Programming the Water Softener



When the transformer is plugged into the electrical outlet, a model code and test number (example: y4.1 & H40) are shown in the display. Then, "12:00 PM" begins to flash. An arrow ◀ is displayed next to **CLOCK** on the face plate decal.

CONTROL OPERATION:

- **CONTROL SETTINGS REQUIRED** upon initial installation and after an extended power outage.
- Use the **MODE/SET** button to scroll arrow to desired control function set.
- After the mode is selected use the UP ▲ and DOWN ▼ buttons to change the settings of the control.
- Press the **MODE/SET** button to accept changes.
- A "beep" sounds while pressing buttons for control programming. One beep signals a change in the control display. Repeated beeps mean the control will not accept a change from the button you have pressed, and you should select another button.

SET TIME OF DAY

1. Press **MODE/SET** button until the arrow ◀ points to **CLOCK**.
2. Press the UP ▲ or DOWN ▼ buttons to set the present time. UP ▲ moves the display ahead; DOWN ▼ sets the time back. Be sure AM and PM is correct.



NOTE: Press buttons and quickly release to slowly advance the display one number at a time. Hold the buttons down for fast advance.

3. When the correct time is shown in the display, press **MODE/SET** to accept.

Programming the Water Softener

SET WATER HARDNESS NUMBER

1. Press the **MODE/SET** button until the arrow ◀ points to **HARDNESS**. A flashing 25 will appear in the display.



2. Press the UP ▲ or DOWN ▼ buttons to set your water hardness number.

NOTE: If your water supply contains iron, compensate for it by adding to the water hardness number. For example, assume your water is 20 gpg hard and contains 2 ppm iron. Add 5 to the hardness number for each 1 ppm or iron. In this example, you would use 30 for your hardness number.

$$20 \text{ gpg hardness} \\ 2 \text{ ppm iron} \times 5 = 10 \quad \frac{+10}{\text{(times)}} \\ \hline 30 \text{ HARDNESS NUMBER}$$

3. When the display shows your water hardness (in grains per gallon), press **MODE/SET** to accept.

You can get the grains per gallon (gpg) hardness of your water supply from a water analysis laboratory. If you are on a municipal supply, call your local water department. Or call Legend Technical Services, an independent laboratory, to request a water hardness test kit at 1.800.949.8220, Option 4. If your report shows hardness in parts per million (ppm) or milligrams per liter (mg/l), simply divide by 17.1 to get the equivalent number of grains per gallon.

SET RECHARGE (STARTING) TIME

1. Press the **MODE/SET** button until the arrow ◀ points to **RECHARGE**.



NOTE: A flashing 2:00 AM (factory default) should show in the display. This is a good time for recharge to start (takes about 2 hours) in most households because water is not in use. **HARD WATER** is bypassed to house faucets during recharge.

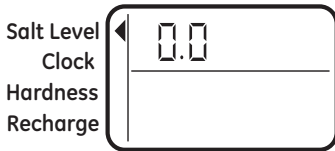
If no change is needed, go to step 3. To Change the recharge starting time, follow step 2.

2. Press UP ▲ or DOWN ▼ button to set the desired recharge start time. Be sure to observe the AM or PM as you did when setting the time of day.
3. Press the **MODE/SET** button to accept.

Programming the Water Softener

SET SALT LEVEL

1. Press the **MODE/SET** button until the arrow ◀ points to **SALT LEVEL**.



2. Determine level of salt in brine tank using the numbered scale on side of brine well, inside brine tank (see Figure 14).
3. Press UP ▲ or DOWN ▼ button to set the **SALT LEVEL** to correspond to level on the numbered scale in brine tank.



NOTE: Each press of a button changes the level by increments of 0.5 up to 8.0. Lowering the salt level below zero turns the **SALT LEVEL** indicator OFF.

4. Press the **MODE/SET** button to accept. The display shows the present time of day and **DAYS TO EMPTY**.

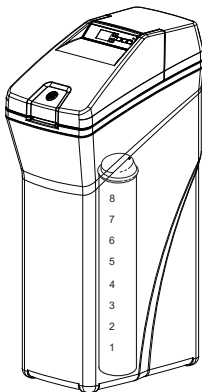
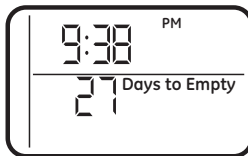
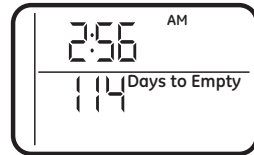


Figure 14



DAYS TO EMPTY

The words **DAYS TO EMPTY** and a number are shown in the lower half of the display. This information is shown in the normal run display. This is to inform the user of the number of days before the salt level in the brine tank reaches Level 0. There will be salt left in the salt tank, but it may not be sufficient to fully recharge the system. Salt should be added at this time to avoid hard water. The value is updated daily and whenever the **SALT LEVEL** value is changed.



NOTE: For the first several weeks of operation, the **DAYS TO EMPTY** may provide erratic operation. For example, the blue indicator light may flash, showing that more salt is required when the actual salt level in the tank is well above the Level 0. In some cases, the **DAYS TO EMPTY** may even increase over a several week period.

It takes a couple of months for the water softener to learn **your** water usage pattern. Once it does this, it will accurately determine actual salt usage pattern. During this first period, check salt level when blue indicator light flashes. If the salt level in the tank is at Level 1 or above, allow system to run. Be sure to reset your salt level indicator each time you add salt to the system.

START A RECHARGE

Press the **RECHARGE** button and hold for three seconds, until "RECHARGE NOW" begins to flash in the display, starting a recharge. This recharge draws the sanitizing bleach or brine into and through the water softener. Any air remaining in the water softener is purged to the drain. During this time periodically check for leaks.

NOTE: As with all other water system applications, leaks may occur. Leaks may not be immediately apparent. Recheck 24 hours after first recharge cycle is complete.

Appliance Communication: WiFi Connect

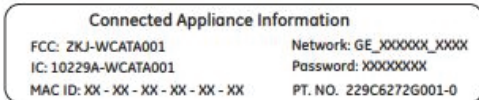
(For customers in the United States, its Territories, and Canada)

- WiFi communication requires WiFi connectivity and electrical power at the location of the softener. App connectivity will not function should either fail. (Check for both before the system is fully installed.)
- App requires smart phone with service to receive notifications.
- App provides alert, but requires user to respond to turn off water.
- The system is not able to detect all small leaks, and cannot shut off leaks between the system and shut off valve.

If your Water Softener is GE Appliances WiFi Connect capable, a WiFi communication card is built into the product allowing it to communicate with your smartphone for remote monitoring, control, and notifications.

To connect with your softener, please visit **GEAppliances.com/connect** to learn how to connect your appliance to your smartphone using the label located inside your softener and learn about the features of your app such as 1) Water usage monitoring 2) Low Salt Alert 3) Continuous water flow alerts 4) Remote water shutoff valve.

WiFi Connectivity: For assistance with your appliance network connectivity, please call GE Appliances at (800) 220-6899.



Sample Label

This device complies with Part 15 of the FCC Rules. Operation is subject to the following two conditions:

1. This device may not cause harmful interference, and
2. This device must accept any interference received, including interference that may cause undesired operation. This equipment has been tested and found to comply with the limits for a Class B digital device, pursuant to Part 15 of the FCC Rules. These limits are designed to provide reasonable protection against harmful interference in a residential installation. This equipment generates uses and can radiate radio frequency energy and, if not installed and used in accordance with the instructions, may cause harmful interference to radio communications. However, there is no guarantee that interference will not occur in a particular installation. If this equipment does cause harmful interference to radio or television reception, which can be determined by turning the equipment off and on, the user is encouraged to try to correct the interference by one or more of the following measures:
 - Reorient or relocate the receiving antenna.
 - Increase the separation between the equipment and receiver
 - Connect the equipment into an outlet on a circuit different from that to which the receiver is connected.
 - Consult the dealer or an experienced radio/television technician for help.

Labelling: Changes or modifications to this unit not expressly approved by the manufacturer could void the user's authority to operate the equipment.

Programming the Water Softener

OPTIONAL CONTROL SETTINGS

The controller display has several options and features.

LOW SALT ALARM

The **LOW SALT ALARM**, when enabled, will sound the beeper when the **DAYS TO EMPTY** value is 15



days or less. To change this setting, press and hold the **MODE/SET** button for 3 seconds or hear a beep. ON (factory default) or OFF will flash in the display. Press the UP ▲ or DOWN ▼ buttons to toggle this feature ON or OFF. Press the **MODE/SET** button to accept, and the display will move to the **SALT EFFICIENCY** screen.

SALT EFFICIENCY

When the **SALT EFFICIENCY** feature is ON, the unit will operate at a salt efficiency of 4000 grains of hardness removed per pound of salt.



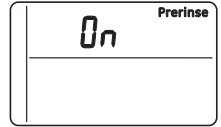
This mode of operation is the most efficient setting for salt usage, because the system will tend to recharge more often with less salt usage. Turning the feature OFF will tend to lengthen the time between recharge cycles, which will provide the most efficient usage of water, but may use more salt. The degree of difference between these two cycles is highly dependent on the water usage and hardness at particular installation.

NOTE: California Regulations require this feature to be ON for installations in California.

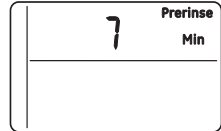
To change the setting, press the UP ▲ or DOWN ▼ buttons to toggle this feature ON or OFF. Press the **MODE/SET** button to accept, and the display will move to the **PRERINSE ON/OFF** screen.

PRERINSE

If your water contains sediment, the prerinse feature will remove sediment from the resin bed prior to regeneration. Press the UP ▲ or DOWN ▼ buttons to turn prerinse ON or OFF.



Press the **MODE/SET** button to accept, and the display will move to **SET PRERINSE TIME** screen.

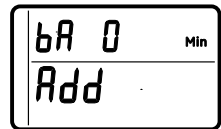


In this screen, you can adjust the duration of the prerinse, in minutes, by pressing the UP ▲ or DOWN ▼ buttons. Press the **MODE/SET** button to accept, and the display will move to the **ADD BACKWASH TIME** screen.

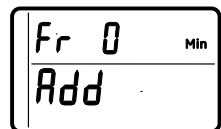
BACKWASH AND FAST RINSE

If you experience salty tasting water after regeneration, you may need to increase the backwash and fast rinse times. The cycle times during regenerations are determined by the softener's electronic controller. However, you may increase the backwash and fast rinse times. You may add up to 10 minutes.

For Backwash, you can add up to 10 minutes in 1 minute increments, by pressing the UP ▲ button, or subtract time by pressing the DOWN ▼ button.



For Fast Rinse, press **MODE/SET** and the display moves to the **ADD FAST RINSE TIME** screen. You can add up to 10 minutes in 1 minute



increments, by pressing the UP ▲ button, or subtract time by pressing the DOWN ▼ button. Press the **MODE/SET** button to accept, and the display will move to the **Run Display** screen.

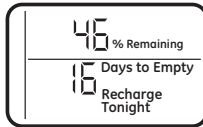
Programming the Water Softener

FEATURE: OTHER DATA DISPLAY

These models have an option to have the run display indicate different information. The information displayed on the top half of the display can be changed to one of the following by pressing UP ▲ or DOWN ▼ buttons:

• CAPACITY REMAINING

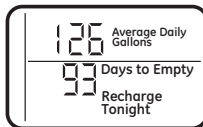
– This is the percentage of water softening capacity remaining. Immediately after a regeneration, 100% shows. As water is used, the percentage will decrease until the next regeneration. During regenerations, the percentage increments upward.



When present time is displayed, press the DOWN ▼ button; **% Remaining** will appear in the display. The value shown is between 0 and 100 percent. This value is based on current operating capacity. Pressing the UP ▲ button will return the screen to the previous display.

• AVERAGE DAILY

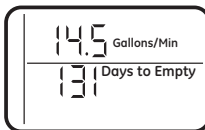
GALLONS – The figure displayed is the average gallons of water used by the household each day over the past seven-day period.



Press the DOWN ▼ button again to display the Average Daily Gallons. **Average Daily Gallons** will appear in the display. This value is updated every night at midnight. Pressing the UP ▲ button will return the screen to the previous display.

• FLOW RATE, GPM

– When using soft water, this display shows the flow rate passing through the softener (in gallons per minute). Zero shows if water is not passing through the softener.



Press the DOWN ▼ button again to display the flow rate. **Gallons/Min** will appear in the display. This value is updated every ½ second. Pressing the UP ▲ button will return the screen to the previous display. Pressing the DOWN ▼ button will return the screen to the present time display.

RESETTING TO FACTORY DEFAULT

To reset the electronic controller to its factory default for all settings (time, hardness, etc.):

1. Press the **MODE/SET** button and hold until the display changes twice to show the flashing mode code.
2. Press the UP ▲ button to display a flashing “SoS”.



3. Press the **MODE/SET** button and the electronic controller will restart.
4. Set the present time, hardness, etc., as described in the Programming the Water Softener section

Programming the Water Softener

POWER OUTAGE MEMORY

If electrical power to the water softener is lost, “memory” built into the timer circuitry will keep all settings for up to 24 hours. While the power is out, the display is blank and the water softener will not regenerate. When electrical power is restored, the following will occur:

Reset the present time only if the display is flashing. The **HARDNESS** and **RECHARGE TIME** never require resetting unless a change is desired. Even if the clock is incorrect after a long power outage, the softener operates as it should to keep your water soft. However, regenerations may occur at the wrong time of day until you reset the clock to the correct time of day.

NOTE: If the water softener was regenerating when power was lost, it will now finish the cycle.

BLUE INDICATOR LIGHT

Steady blue light indicates that the unit is working correctly. The light flashes when the unit needs attention from the user.

- Light will also flash when power to the unit has been interrupted. Check the **PRESENT TIME** setting.
- Light flashes and **DAYS TO EMPTY** flashes - check salt level and add salt as required.
- Light flashes and **Err** is in the display - electrical problem with system.

LOW SALT SIGNAL

When the **DAYS TO EMPTY** drops to 15, the blue indicator light and **DAYS TO EMPTY** in the display will flash every second and the alarm will beep every 30 seconds (from 8:00 AM to 8:00 PM), to notify the user that the unit is running low on salt. As soon as any button is pressed, the alarm will stop beeping. The blue indicator light and **DAYS TO EMPTY** will continue to flash. Once salt is added to the brine tank and the **SALT LEVEL** is reset, the **DAYS TO EMPTY** will be reset.

ERROR SIGNALS

If there is an error code detected, the blue indicator light will flash 4 times every second, the display will flash **Err** and the alarm will beep every 30 seconds (from 8:00 AM to 8:00 PM) to signal that the softener requires service. The alarm can be turned off by pressing any button, but the blue indicator light and display will continue to flash.

Disconnect the transformer from the wall outlet momentarily, and plug it back in. The normal display will appear. The motor may run for several minutes, as the unit resets. If the problem is not corrected, the error code will reappear in 8 minutes. If Err 6, 7, or 8 appears, it can be cleared by pressing recharge for 5 seconds. See the Before you Call for Service section to assist in troubleshooting the water softener.



Care and cleaning

ADJUSTING YOUR WATER HARDNESS

The blend adjusting knob (Figure 15) gives the ability to finely adjust hardness of the treated water leaving the water softener. If slightly harder water is desired than is normally delivered by the water softener, the blend adjusting knob can divert a small stream of hard water and blend it with the soft water entering the home. The amount of water diverted is controlled by turning a blend adjusting knob on the end cap of the valve stem.

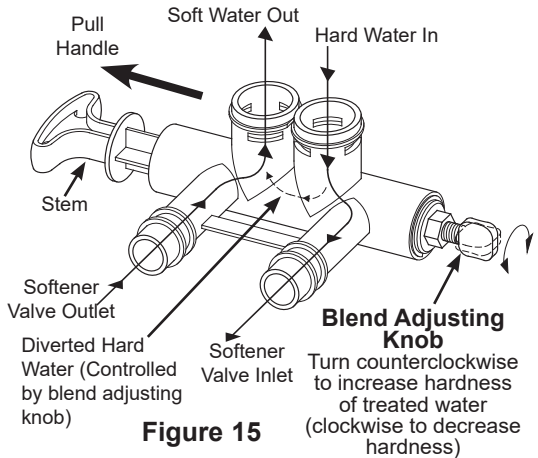
NOTE: To get full performance from your water softener leave blending valve in the factory closed position.

To make adjustments to water hardness:

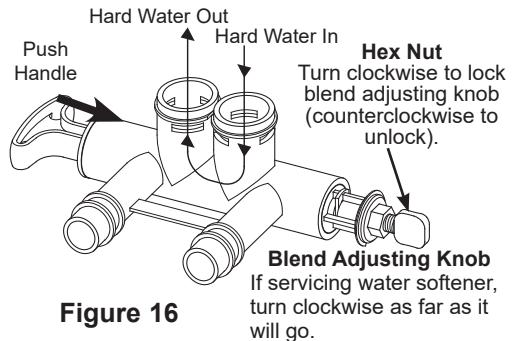
1. Hold bypass handle to keep the valve stem from rotating (see Figure 16). Loosen hex nut on blend adjustment knob by turning the hex nut counterclockwise (see Figure 16).
2. **TO INCREASE HARDNESS:** With the bypass in the service position (see Figure 16) hold the handle to keep the valve stem from rotating and turn the blend adjusting knob counterclockwise up to 2 turns from the closed position. It is recommended that adjustments be made in quarter turn increments over several weeks until the desired hardness is achieved. **NOTE:** Once an adjustment is made to the blend valve knob the change in water hardness at the homes faucets or shower heads may take several days to be noticed. This delay is due to the large amounts of already conditioned water in the pipes and water heater that must be exchanged before a change in hardness can be noticed. Have the water tested to determine the actual water hardness.
3. **TO DECREASE HARDNESS:** With the bypass in the service position (see Figure 16) hold the handle to keep the valve stem from rotating and turn the blend adjusting knob clockwise. When the knob will not turn anymore, hard water is no longer being blended into the soft water.
4. Once the desired hardness is achieved tighten the hex nut (see Figure 16) clockwise until it comes in contact with the bypass stem.

NOTE: To meet the water softener performance specifications and reduction of barium and radium claims the adjustable hardness must be kept in the "OFF" position. The off position is achieved when the blend adjusting knob is fully rotated clockwise until it stops.

SERVICE POSITION (Normal Softener Operation)



BYPASS POSITION



CAUTION

If the water softener is to be serviced or disconnected from the bypass valve, the blend adjusting knob must be turned all the way clockwise to close the diversion path and prevent water leaking from the softener valve inlet of the bypass.

Care and Cleaning

CHECKING THE SALT STORAGE LEVEL and REFILL

Brine (salt dissolved in water) is needed for each and every recharge. The water for making brine is metered into the salt storage area by the water softening system valve and control. **However, you must keep the tank supplied with salt.**

ADDING SALT

Lift the salt hole cover and check the salt storage level frequently. If the water softener uses all the salt before you refill it, you will experience hard water. Until you have established a refilling routine, check the salt every two or three weeks. Always add if less than 1/4 full. Be sure the brinewell cover is on.

NOTE: if using potassium chloride (KCl), do not fill above level 4 on the brinewell decal.

NOTE: In humid areas, it is best to keep the salt storage level lower, and to refill more often to avoid salt “bridging”.

Recommended Salt: Nugget, pellet or coarse solar salts with less than 1% impurities.

Salt Not Recommended: Rock salt, high in impurities, block, granulated table, ice melting, ice cream making salts, etc.

CAUTION

Water softening salt with iron removing additives: Some salts may have an additive to help the water softening system handle iron in the water supply. Although this additive may help to keep the water softening system resin clean, it may also release corrosive fumes that weaken and shorten the life of some water softening system parts.

CLEANING IRON OUT OF THE WATER SOFTENING SYSTEM

Your water softening system takes hardness minerals (calcium and magnesium) out of the water. Also, it can control some (see the Specification Guidelines section) “clear water” iron. With clear water iron, water from a faucet is clear when first put into a glass. After 15 to 30 minutes, the water begins to cloud or turn rust colored. A water softening system **will not** remove any iron that makes the water cloudy or rusty as it comes from the faucet (called red water iron). To take red water iron out of water, or over the maximum of clear water iron, an iron filter or other equipment is needed.

GE Appliances recommends using **Super Iron Out®** to clean your resin bed if your iron content is high. Use **Super Iron Out®** with every 40lb. bag of salt as preventative maintenance against rust build up. Clean the bed at least every six months, or more often if iron appears in the soft water between cleanings.

IMPORTANT: It is important to mix the resin bed cleaner with water (following the manufacturer’s instructions), pour it into the **brinewell** (see Figure 9) and recharge the softener immediately. Do not pour the resin bed cleaner in with the salt, as it will not be as effective in cleaning the resin, and can cause damage to the softener if it is left in the brine tank for an extended period due to the corrosive gases that are formed.

Routine Maintenance

CLEANING THE NOZZLE AND VENTURI ASSEMBLY

A clean nozzle and venturi is needed for the water softening system to work properly.

This small unit makes the suction to move brine from the salt storage area to the resin tank during recharge. If it becomes plugged with sand, dirt, etc., the water softening system will not work and you will get hard water.

To get to the nozzle and venturi, remove the water softening system top cover. Be sure the water softening system is in service cycle (no water pressure at nozzle and venturi). Then, while holding the nozzle and venturi housing with one hand, remove the cap. Lift out the screen support and screen, then the nozzle and venturi. Wash and rinse the parts in warm water until clean. If needed, use a small brush to remove iron or dirt. Also check and clean the gasket.

NOTE: Some models have a small flow plug located in the nozzle and venturi, and/or a small cone shaped screen in the housing. Be sure to check and clean these parts, if your model is so equipped.

Carefully replace all parts in the correct order. Lightly lubricate the o-ring with clean silicone grease or petroleum jelly and place in position. **Install and tighten the cap, by hand only. Do not over-tighten the cap.**

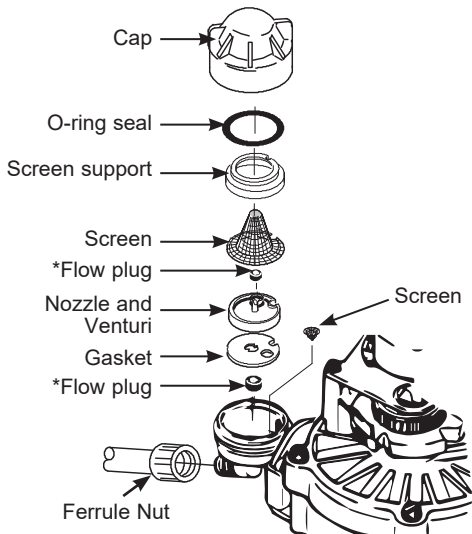
BREAKING A SALT BRIDGE

Sometimes, a hard crust or salt bridge forms in the salt storage area. It is usually caused by high humidity or the wrong kind of salt. When the salt bridges, an empty space forms between the water and salt. Then salt will not dissolve in the water to make brine.

If the brine tank is full of salt, it is hard to tell if you have a salt bridge. Salt is loose on top, but the bridge is under it. The following is the best way to check for a salt bridge.

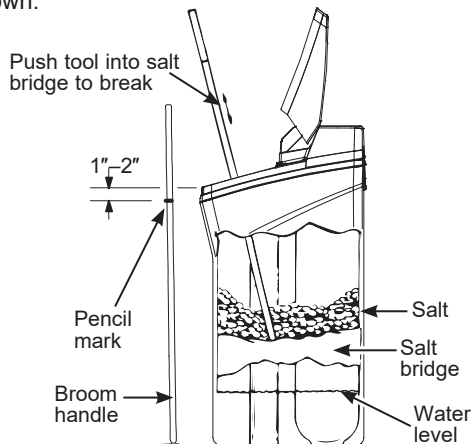
Salt should be loose all the way to the bottom of the tank. Take a broom handle or like tool, and carefully push it down into the salt, working it up and down. If the tool strikes a hard object (be sure it's not the bottom or sides of the tank), it's most likely a salt bridge. Carefully break the

bridge with the tool. **Do not** pound on the walls of the tank. To help dissolve the salt bridge pour one gallon of warm water (not hot) into the tank. If the wrong kind of salt made the bridge, take it out. Then fill the tank with nugget or pellet salt only. In humid areas, it is best to fill with less salt, more often to prevent a salt bridge from forming.



IMPORTANT: Be sure small holes in the gasket are centered directly over the small holes in the nozzle and venturi housing.

*Install with numbered side up, concave side down.



Before you call for service

Troubleshooting Tips

Save time and money! Review the chart on this page first and you may not need to call for service.

NO SOFT WATER – Most Common Problems:

Check the following before calling for service:

- Not enough salt—should be at least 1/3 full.
- Bypass valve in “Bypass” position—handle should be in the “OUT” (service) position.
- Hardness setting too low. Check hardness setting and adjust. Verify hardness of supply water—from local water company, water test or call the GE Appliances Answer Center (800-952-5039 in US).
- Salt Bridge—salt solidifies above water level so that brine water is not in contact with salt. See the Breaking a Salt Bridge section.

Problem	Possible Cause	What to do
No soft water	Faucet or fixture where sample was taken not plumbed to soft water. <i>NOTE: Be sure sample is from a faucet that does not mix soft and hard water. For example, a single lever kitchen faucet, if the cold side is plumbed to hard water.</i>	<ul style="list-style-type: none"> • To conserve salt, the installer may have isolated some fixtures (outside faucets, toilets, etc.) from soft water. From the outlet of the water softening system, trace the water flow path in the house plumbing. If soft water is not directed to a faucet or fixture where wanted, consult a plumber.
	No salt in the brine tank or salt bridged	<ul style="list-style-type: none"> • Check for a salt bridge or, if the tank is empty, refill with recommended salt. Press (for 3 seconds) the RECHARGE button to start an immediate recharge and restore soft water supply.
	External power supply unplugged at wall outlet or power cable to softener not connected. Fuse blown or circuit breaker popped on circuit to electrical outlet. Electrical outlet on a circuit that can continuously be switched off	<ul style="list-style-type: none"> • Check for a loss of electrical power to the water softening system, due to any of these conditions and correct as needed. With the power supply restored, observe the faceplate time display and read Programming the Control section. <i>NOTE: the electrical outlet for the softener should be live so it cannot be accidentally switched off.</i>
	Manual bypass valve in bypass position	<ul style="list-style-type: none"> • Be sure the bypass valve stem is positioned properly, with the handle in the OUT position.
	Blending valve in open position	<ul style="list-style-type: none"> • Turn blending valve clockwise to closed position.
	Valve drain hose pinched, plugged, elevated too high or otherwise restricted	<ul style="list-style-type: none"> • Any restriction in the drain hose may prevent proper operation of the nozzle and venturi and reduce or prevent brine draw during recharge.
	Nozzle and venturi dirty, incorrectly assembled or damaged	<ul style="list-style-type: none"> • Refer to Cleaning the Nozzle and Venturi Assembly instructions. With water pressure to the water softening system off, take the nozzle assembly apart. Inspect, clean and replace as needed. Any foreign particle(s), scratches, nicks, etc. in the passages can prevent operation. Be sure holes in the gasket are centered over holes in the housing.

Before you call for service

Problem	Possible Cause	What to do
Water hard sometimes	Using hot water while the water softening system is regenerating	<ul style="list-style-type: none"> • Avoid using hot water during water softening system recharge because the water heater will refill with hard water. See Automatic Hard Water Bypass During Recharge section.
	Control HARDNESS number setting too low	<ul style="list-style-type: none"> • Press MODE/SET button until arrow points to HARDNESS. Be sure the number shown is the same as the actual grains per gallon hardness of your water supply. See Programming the Control section if a change in setting is needed.
	Grains of hardness in your water supply have increased	<ul style="list-style-type: none"> • Water hardness can change over time, especially in well water. To check, have the water tested by a water analysis laboratory or call your local water department. Adjust the Hardness number setting as needed.
Water feels slippery after installation of water softener	Absence of hardness minerals	<ul style="list-style-type: none"> • This is normal. Hardness in water gives it the abrasive feel you may have been accustomed to. The slippery feel is the clean feel of soft water. • See the <i>Adjusting your Water Hardness</i> section.
Water Softener not using any salt	Water softening system is a “demand” unit	<ul style="list-style-type: none"> • Does not use much salt to regenerate - very efficient.
	Possible salt bridge	<ul style="list-style-type: none"> • See the <i>Breaking a Salt Bridge</i> section.
	Possible plugged nozzle and venturi	<ul style="list-style-type: none"> • See the <i>Cleaning the Nozzle and Venturi Assembly</i> section.
Water is blue color after water softener was installed	Acidic water in copper plumbing	<ul style="list-style-type: none"> • Have the water tested at once.
Water softener not regenerating	Meter turbine stuck	<ul style="list-style-type: none"> • See the Manually Initiated Electronics Diagnostics section for troubleshooting procedures. • Call for service.
	Sensor wire not plugged into the control	<ul style="list-style-type: none"> • See the Manually Initiated Electronics Diagnostics section for troubleshooting procedures. • Call for service.
	No power to unit	<ul style="list-style-type: none"> • Check the circuit breaker or fuses.
	Mechanical defect	<ul style="list-style-type: none"> • Call for service.
Cloudiness on glassware (automatic dishwashers)	Combination of soft water and too much detergent	<ul style="list-style-type: none"> • This is called etching and is permanent. To prevent this from happening, use less detergent if you have soft water. Wash glassware in the shortest cycle that will get them clean.

Before you call for service

Problem	Possible Cause	What to do
Excessive/high level of water in brine tank	Valve drain hose pinched, plugged, elevated too high or otherwise restricted	<ul style="list-style-type: none"> A restriction in this drain hose may prevent proper operation of the nozzle and venturi and reduce or prevent brine draw during recharge.
	Drain lines connected together	<ul style="list-style-type: none"> Separate drain lines.
	Nozzle and venturi dirty, incorrectly assembled or damaged.	<ul style="list-style-type: none"> Refer to Cleaning the Nozzle and Venturi Assembly instructions. With water pressure to the water softening system off, take the nozzle assembly apart. Inspect, clean and replace as needed. Any foreign particle(s), scratches, nicks, etc. in the passages can prevent operation. Be sure holes in the gasket are centered over holes in the housing
Salty tasting or brown/yellow colored water after installation	Unit not sanitized	<ul style="list-style-type: none"> Complete Sanitization Procedures. At completion of recharge cycle (approx. 2 hours), run water from faucets to purge the salty water.
	Low water pressure	Check pressure: <ul style="list-style-type: none"> Drain height 8' or less, pressure should be minimum 20 psi. Drain height above 8', pressure should be minimum 50 psi.
	Restricted drain hose	<ul style="list-style-type: none"> Clean and reconnect hose. Check for kinks in drain line
Brown/yellow colored water	Unit was idle for a period of time	<ul style="list-style-type: none"> Complete the Sanitization Procedures.
Resin beads showing up in drinking water	Cracked distributor or unit plumbed backwards	<ul style="list-style-type: none"> Check softener "IN & OUT" plumbing is correct. Call for service.
Sounds you might hear	Running water from the unit into a drain during recharge	<ul style="list-style-type: none"> This is normal.
Water has air bubbles and is cloudy	Air in system after installation	<ul style="list-style-type: none"> Will go away after it runs for a while.
Blue light flashing when power applied to the system	Control needs to be programmed (a power outage may have occurred)	<ul style="list-style-type: none"> See the Programming the Control section.
If "DAYS TO EMPTY" is flashing	Low salt level, less than 15 days	<ul style="list-style-type: none"> Fill with salt. Reset salt level.

Before you call for service

Problem	Possible Cause	What to do
Error Codes 1,3,4,5 on Control	Wiring may have worked loose in the control	<ul style="list-style-type: none"> • Unplug external power supply. • Remove control cover, release clips on side. • Check for loose/incorrect wiring connections to electronic board or switch. Reconnect as required. • Reassemble control cover. • Plug in Transformer. • Wait 8 minutes for Error Code to reappear. • If error Code reappears, call for service.
Error Codes 6,7,8 on Control	Issue with Water Shutoff valve	<ul style="list-style-type: none"> • Unplug external power supply. • Replace the water Shutoff valve. • Check for loose/incorrect wiring connections to electronic board. Reconnect as required. • Reassemble control cover. • Plug in Transformer. <ul style="list-style-type: none"> – When the Error 6,7 or 8 is displayed, press and hold the Recharge button for 5 seconds. • Wait 2 minutes for Error Code to reappear. • If error Code reappears, call for service.
If “Err” in display	Electrical problem with system	<ul style="list-style-type: none"> • Call for service.

Advanced troubleshooting for service

AUTOMATIC ELECTRONIC DIAGNOSTICS

This water softener has a self-diagnostic function for the electrical system (except into power and/or water meter). The water softener monitors electronic components and circuits for correct operation. If a malfunction occurs, an error code appears in the display.

While an error code appears in the display, all buttons are inoperable except the **MODE/SET** button. **MODE/SET** remains operational so the service person can perform the Manual Advanced Diagnostics, see below, to further isolate the problem.

Procedure for removing error code from display:

1. Unplug transformer from electrical outlet.
2. Correct problem.
3. Plug in transformer.
4. Wait 8 minutes. The error code will return if the problem was not corrected.

MANUAL INITIATED ELECTRONIC DIAGNOSTICS

Use the following procedures to advance the water softener through the regeneration cycles to check operation.

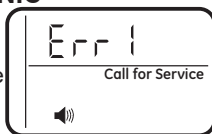
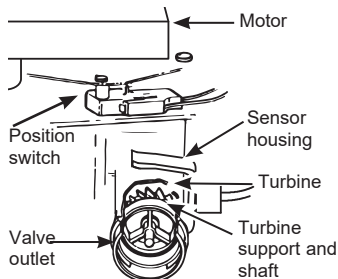


Figure 17

Lift off the Salt Hole Cover, remove the top cover by unlocking the tabs in the back and rocking forward, to observe cam and switch operation during valve rotation.

1. Press and hold **MODE/SET** for 3 seconds until the Set low salt alarm display appears, next press the **MODE/SET** button two additional times until “000” shows in the display, then release, see Figure 18.
2. The 3 digits indicated water meter operation as follows: If you don’t get a reading on the display, with faucet open, pull the sensor from the valve outlet port. Pass a small magnet back and forth in front of the sensor. You should get a reading in the display. If you get a reading, shut off water supply, unhook the in and out plumbing and check the turbine for binding.



Advanced troubleshooting for service

MANUAL INITIATED ELECTRONIC DIAGNOSTICS

3. Symbols in the display indicate POSITION switch operation, (see Figure 18).

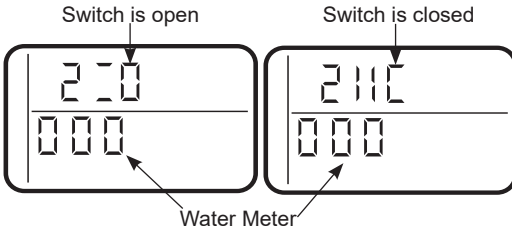


Figure 18

4. Use **RECHARGE** button to manually advance the valve into each cycle and check correct switch operation. **NOTE:** Be sure water is in contact with salt, and not separated by a salt bridge (see Breaking a Salt Bridge section).
5. While in this diagnostic screen, the following information is available and may be beneficial for various reasons. This information is retained by the computer from the first time electrical power is applied to the electronic controller.
 - a. Press the ▲ UP button to display the number of days this electronic control has had electrical power applied.
 - b. Press the ▼ DOWN button to display the number of regenerations initiated by the electronic control since the code number was entered.

6. Press and hold the **MODE/SET** button until the mode code (H40 for GXSHC40N) shows in the display (see Figure 19). This code identifies the softener mode. If an incorrect model code is displayed, the softener will operate on incorrect configurations data.



Figure 19

7. To change the code number, press the ▲ UP or ▼ DOWN button until the correct code shows.
8. To return to the present time display, press the **MODE/SET** button.
9. Press the **MODE/SET** button to return to the present time display. If the code was changed, make all the timer setting. **NOTE:** If the control is left in a diagnostic display or a flashing display when setting times or hardness, present time automatically returns if a button is not pressed within four minutes.

Advanced troubleshooting for service

Service: Manually Advance Recharge Check

NOTE: The control display must show a steady time (not flashing).

1. Press the **RECHARGE** button and hold in for three seconds. **RECHARGE** begins to flash as the water softening system enters the fill cycle of recharge. Remove the brinewell cover and, using a flashlight, observe fill water entering the brine tank. If water does not enter the tank, look for an obstructed nozzle, venturi, fill flow plug or brine tubing. See Care and Cleaning of the Water Softener System section.
2. After observing fill, press the **RECHARGE** button to move the water softening system into brining. A slow flow of water to the drain will begin. Verify brine draw from the brine tank by shining a flashlight into the brinewell and observing a noticeable drop in the liquid level over an extended period of time (is to 20 minutes).

NOTE: Be sure a salt bridge is not preventing water from contacting salt. See Care and cleaning of the water softening system section. If the water softening system does not draw brine, check:

- nozzle and/or venturi dirty or defective.
- defective nozzle and venturi seal.
- nozzle and venturi not seated properly on gasket.
- other inner valve defect (rotor seal, rotor and disc, wave washer, etc.).
- restricted drain (check drain fitting and hose).

NOTE: If water system pressure is low, an elevated drain hose may cause back pressure, stopping brine draw.

3. Again, press the **RECHARGE** button to move the water softening system into backwash. Look for a fast flow of water from the drain hose. A slow flow indicates a plugged top distributor, backwash flow plug or drain hose.

4. Press the **RECHARGE** button to move the water softening system into fast rinse. Again look for a fast drain flow. Allow the water softening system to rinse for a few minutes to flush out any brine that may remain in the resin tank from the brining cycle test.
5. To return the water softening system to service, press the **RECHARGE** button.

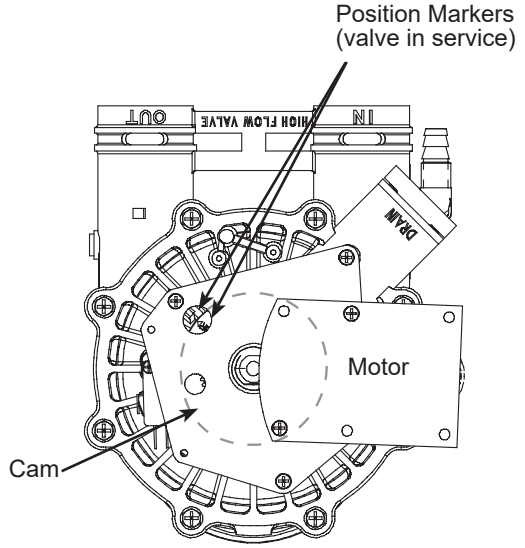
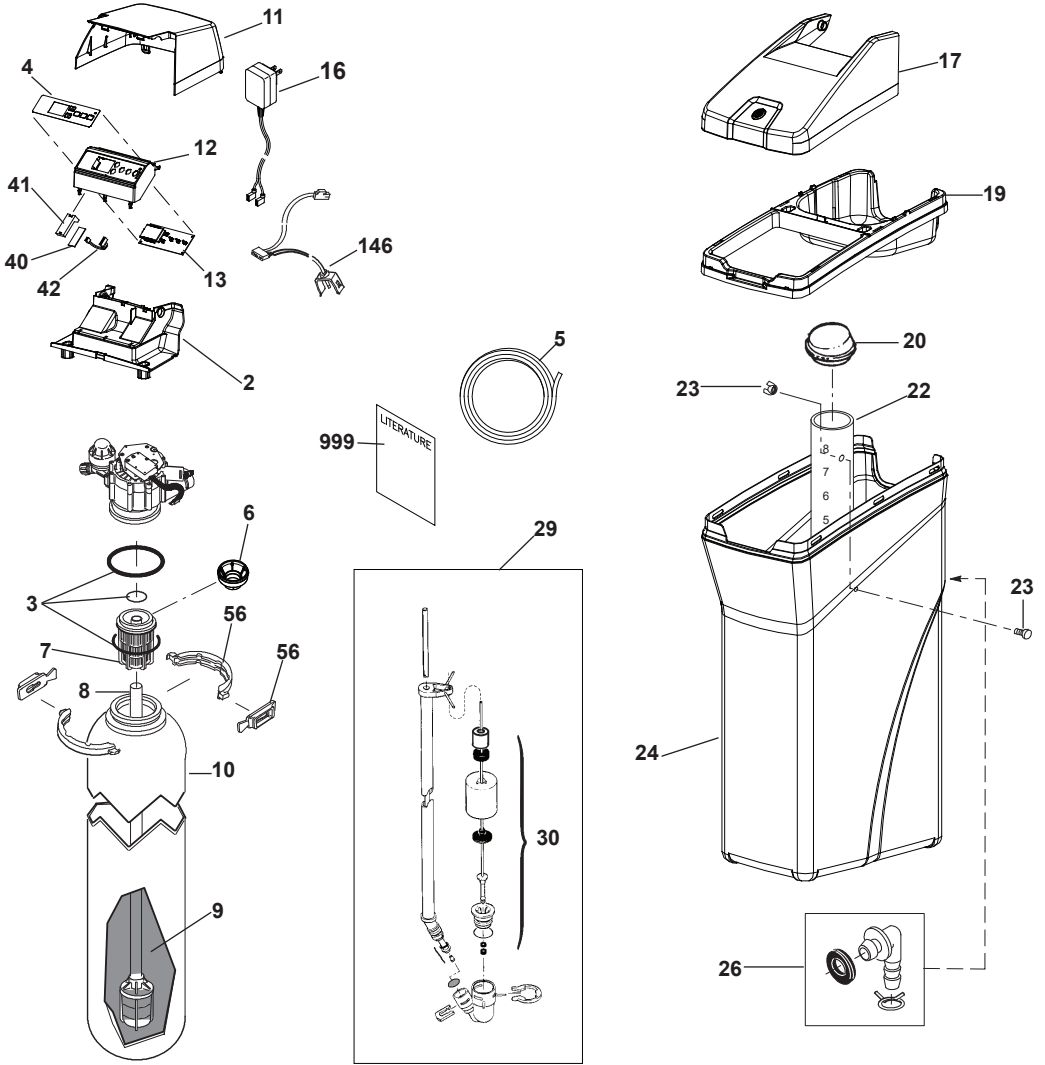


Figure 20

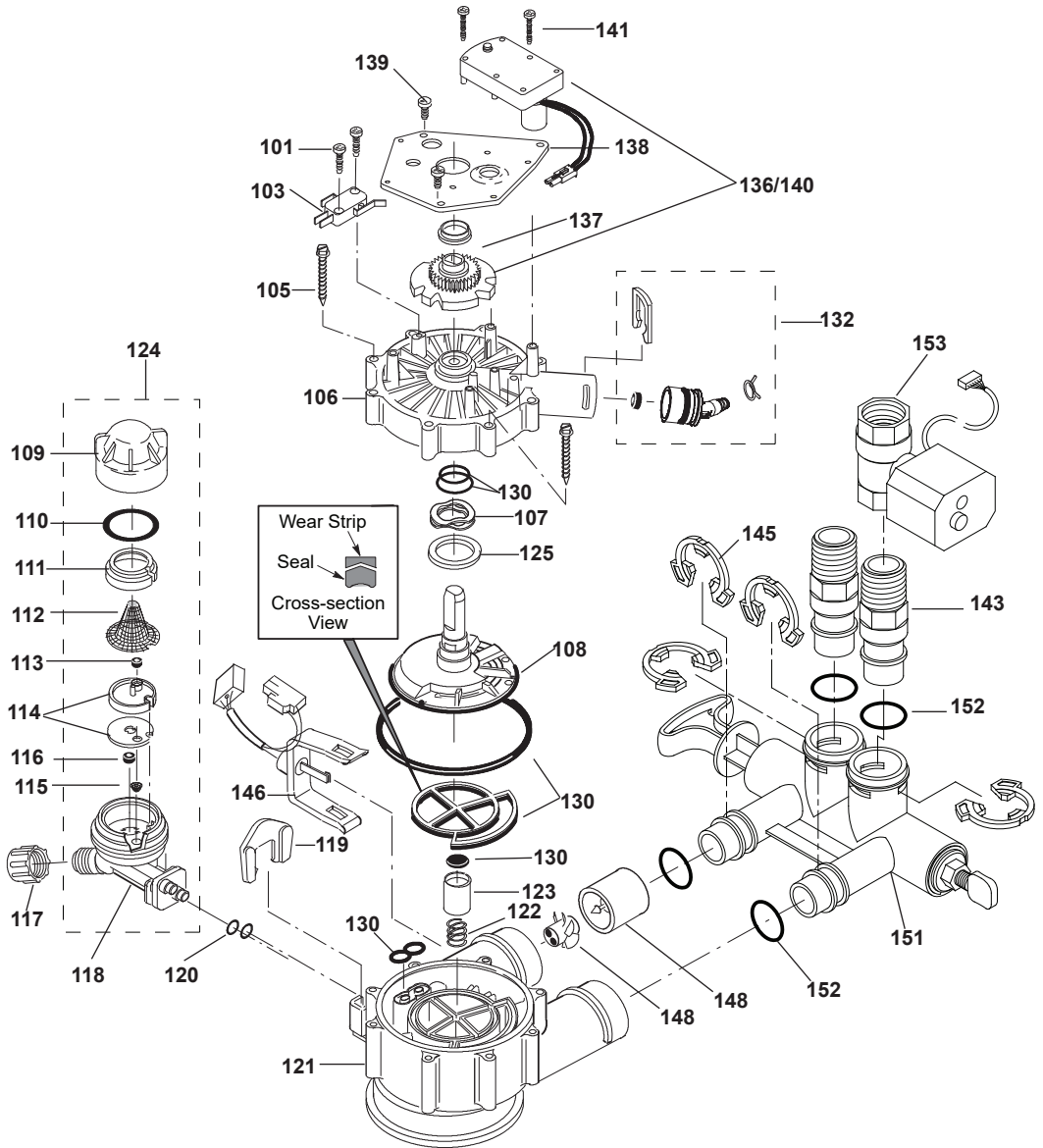
Valve Positions:

Position	Function
S	Service
F	Fill
BR	Brine Fill
BW	Back Wash
R	Rinse

Exploded View/Parts List



Exploded View/Parts List



Exploded View/Parts List

GXSHC40N

REF. NO.	GEA PART NO.	PART DESCRIPTION	(01)
0002	WS31X10051	BACK COVER, ELECTRONICS	1
0003	WS35X10001	O-RING SEAL KIT	1
0004	WS35X21986	DECAL, FACEPLATE	1
0005	WS07X10004	HOSE, DRAIN, 20 FT.	1
0006	WS31X10044	FILTER SCREEN	1
0007	WS14X10002	DISTRIBUTOR, TOP	1
0008	WS14X10005	DISTRIBUTOR, BOTTOM	1
0009	WS01X10002	RESIN, 1-CU. FT.	1
0010	WS32X10011	TANK, RESIN 9 X 40	
0011	WS31X10052	COVER, TOP	1
0012	WS34X10021	FACEPLATE	1
0013	WS35X21984	MAIN CONTROL BOARD KIT	1
0016	WS26X22083	EXTERNAL POWER SUPPLY WITH POWER CORD	1
0017	WS31X10053	COVER, SALT HOLE, WITH LABELS	1
0019	WS33X21987	RIM	1
0020	WS33X10024	COVER, BRINEWELL	1
0022	WS34X10025	BRINEWELL	1
0023	WS02X10088	SCREW KIT, BRINE TANK	1
0024	WS32X10032	TANK, BRINE	1
0026	WS22X10063	OVERFLOW ADAPTER KIT	1
0029	WS15X10077	BRINE VALVE ASM.	1
0030	WS35X10063	FLOAT, STEM & GUIDE	1
0040	WS35X21981	WIFI MODULE KIT	1
0041	WS01X21982	HOLDER, WIFI MODULE	1
0042	WS21X21983	CABLE ASM., WIFI MODULE	1
0056	WS28X10078	TANK NECK CLAMP KIT	1
0101	WS02X10023	SCREW. # 4 - 24 X 3/4"	2
0103	WS21X10003	SWITCH	1
0105	WS02X10024	SCREW. # 10 - 2 5/8"	8
0106	WS31X10013	COVER, VALVE	1
0107	WS03X10034	WASHER WAVE	1
0108	WS26X10010	ROTOR & DISC ASM.	1
0109	WS19X10010	CAP	1
0110	WS03X10011	SEAL, O-RING 1.125 X 1.37	1

Exploded View/Parts List

GXSHC40N

REF. NO.	GE PART NO.	PART DESCRIPTION	(01)
0111	WS19X10005	SUPPORT SCREEN	1
0112	WS03X10013	SCREEN	1
0113	WS22X10036	FLOW PLUG, .15 GPM	1
0114	WS08X10008	GASKET, NOZZLE/VENTURI	1
0115	WS03X10073	CONE SCREEN	1
0116	WS22X10021	PLUG, FILL FLOW .30 GPM	1
0117	WS03X10017	NUT FERRULE	1
0118	WS15X10034	NOZZLE/VENTURI BODY	1
0119	WS03X10018	RETAINER	1
0120	WS03X10019	SEAL, O-RING 1/4" X 3/8"	2
0121	WS15X10025	BODY, VALVE	1
0122	WS03X10020	SPRING	1
0123	WS22X10029	PLUG, DRAIN SEAL	1
0124	WS15X10046	NOZZLE/VENTURI ASM.	1
0125	WS03X10043	WAVE SPRING BEARING	1
0130	WS35X10020	SEAL KIT	1
0132	WS22X10065	DRAIN HOSE ADAPTER KIT	1
0136/0140	WS26X21821	MOTOR, CAM & GEAR KIT, 1"	1
0137	WS26X10009	BEARING	1
0138	WS26X10023	PLATE, MOTOR	1
0139	WS02X10028	SCREW, #6-20 X 3/8"	3
0141	WS02X10058	SCREW, #8-32 X 1"	2
0143	WS60X10011	ADAPTER-NPT THREAD-1" VALVE	2
0145	WS60X10008	CLIP	4
0146	WS28X10018	HARNESS WIRE, SENSOR ASSY	1
0148	WS26X10030	TURBINE & SUPPORT ASSEMBLY*	1
0151	WS15X10078	BYPASS ASM.	1
0152	WS03X10072	SEAL, O-RING	4
0153	WS15X21985	WATER SHUTOFF VALVE	1
0998	WS35X10065	INSTALLATION KIT	1

* Includes 2 each of REF. NO. 145 (CLIP) & REF. NO. 152 (O-RING)

For Iowa Use Only

FOR IOWA USE ONLY

All sales in Iowa require the following signature before consummation of sale. These signatures must be retained by seller/renter for 2 years minimum.

Buyer/Renter _____ Date _____

Seller _____ Date _____

Seller's Address _____

Seller's Phone No. _____

Model GXSHC40N

Notes

Water Softening System Limited Warranty (For Customers in the U.S.)

All warranty service provided by our Factory Service Centers or an authorized technician. For service, call toll free 1-800-952-5039. Please have serial number and model number available when calling for service.

For The Period Of:	We Will Replace:
One Year From the date of the original purchase	Any part of the Water Softening System which fails due to defect in materials or workmanship. During this limited one-year warranty , GE Appliances will also provide, free of charge , all labor and related service to replace the defective part.
Three Years From the date of the original purchase	The electronic monitor , if it fails due to a defect in materials or workmanship. During this three-year limited warranty , you will be responsible for any labor or related service cost.
Ten Years From the date of the original purchase	A replacement resin tank , if it fails due to defect in materials or workmanship. During this ten-year limited warranty , you will be responsible for any labor or related service costs.

What Is Not Covered:

- **Service trips to your home to teach you how to use the product.**
- **Improper installation, delivery or maintenance.**
- **Failure of the product if it is abused, misused, altered, used commercially or used for other than the intended purpose.**
- **Use of this product where water is microbiologically unsafe or of unknown quality, without adequate disinfection before or after the system.**
- **Replacement of house fuses or resetting of circuit breakers.**
- **Damage to the product caused by accident, fire, floods or acts of God.**
- **Incidental or consequential damage caused by possible defects with this appliance, its installation or repair.**
- **Product not accessible to provide required service.**
- **If this appliance is used for other than private family use, the parts, electronic monitor, and resin tank warranty applies for only 90 days from the date of purchase.**

EXCLUSION OF IMPLIED WARRANTIES—Your sole and exclusive remedy is product repair as provided in this Limited Warranty. Any implied warranties, including the implied warranties of merchantability or fitness for a particular purpose, are limited to one year or the shortest period allowed by law.

This limited warranty is extended to the original purchaser for products purchased for home use within the USA. If the product is located in an area where service by a GE Appliances Authorized Servicer is not available, you may be responsible for a trip charge or you may be required to bring the product to an Authorized GE Appliances Service location for service. In Alaska, the limited warranty excludes the cost of shipping or service calls to your home.

Some states do not allow the exclusion or limitation of incidental or consequential damages. This limited warranty gives you specific legal rights, and you may also have other rights which vary from state to state. To know what your legal rights are, consult your local or state consumer affairs office or your state's Attorney General.

Warrantor: GE Appliances, a Haier company, Louisville, KY 40225

Water Softening System Limited Warranty (For Customers in the Canada)

All warranty service provided by our Factory Service Centers or an authorized technician. For service, call toll free 1-866-777-7627. Please have serial number and model number available when calling for service.

For The Period Of:	We Will Replace:
One Year From the date of the original purchase	Any part of the Water Softening System which fails due to defect in materials or workmanship. During this limited one-year warranty , GE Appliances will also provide, free of charge , all labor and related service to replace the defective part.
Three Years From the date of the original purchase	The electronic monitor , if it fails due to a defect in materials or workmanship. During this three-year limited warranty , you will be responsible for any labor or related service cost.
Ten Years From the date of the original purchase	A replacement resin tank , if it fails due to defect in materials or workmanship. During this ten-year limited warranty , you will be responsible for any labor or related service costs.

What Is Not Covered:

- Service trips to your home to teach you how to use the product.
- Improper installation, delivery or maintenance.
- Failure of the product if it is abused, misused, altered, used commercially or used for other than the intended purpose.
- Use of this product where water is microbiologically unsafe or of unknown quality, without adequate disinfection before or after the system.
- Replacement of house fuses or resetting of circuit breakers.
- Damage to the product caused by accident, fire, floods or acts of God.
- Incidental or consequential damage caused by possible defects with this appliance, its installation or repair.
- Product not accessible to provide required service.
- If this appliance is used for other than private family use, the parts, electronic monitor, and resin tank warranty applies for only 90 days from the date of purchase.

EXCLUSION OF IMPLIED WARRANTIES—Your sole and exclusive remedy is product repair as provided in this Limited Warranty. Any implied warranties, including the implied warranties of merchantability or fitness for a particular purpose, are limited to one year or the shortest period allowed by law.

This limited warranty is extended to the original purchaser for products purchased for home use within Canada. In-home warranty service will be provided in areas where it is available and deemed reasonable by Mabe to provide.

WARRANTOR IS NOT RESPONSIBLE FOR CONSEQUENTIAL DAMAGES.

Warrantor: MABE CANADA INC.

Consumer Support

GE Appliances Website

Have a question or need assistance with your appliance? Try the GE Appliances Website 24 hours a day, any day of the year! You can also shop for more great GE Appliances products and take advantage of all our on-line support services designed for your convenience.

In the US: GEAppliances.com

Register Your Appliance

Register your new appliance on-line at your convenience! Timely product registration will allow for enhanced communication and prompt service under the terms of your warranty, should the need arise. You may also mail in the pre-printed registration card included in the packing material.

In the US: GEAppliances.com/register

Schedule Service

Expert GE Appliances repair service is only one step away from your door. Get on-line and schedule your service at your convenience any day of the year.

In the US: GEAppliances.com/service or call 800.432.2737 during normal business hours.

Extended Warranties

Purchase a GE Appliances extended warranty and learn about special discounts that are available while your warranty is still in effect. You can purchase it on-line anytime. GE Appliances Services will still be there after your warranty expires. In the US: GEAppliances.com/extended-warranty or call 800.626.2224 during normal business hours.

Parts and Accessories

Individuals qualified to service their own appliances can have parts or accessories sent directly to their homes (VISA, MasterCard and Discover cards are accepted). Order on-line today 24 hours every day. In the US: GEApplianceparts.com or by phone at 877.959.8688 during normal business hours.

Instructions contained in this manual cover procedures to be performed by any user. Other servicing generally should be referred to qualified service personnel. Caution must be exercised, since improper servicing may cause unsafe operation.

Contact Us

If you are not satisfied with the service you receive from GE Appliances, contact us on our Website with all the details including your phone number, or write to:

In the US:

General Manager, Customer Relations | GE Appliances, Appliance Park | Louisville, KY 40225

GEAppliances.com/contact



D'ADOUCCISEMENT D'EAU SYSTÈME

Consignes de sécurité 2

Spécifications et efficacité
déclarée 3

À propos du système
d'adoucissement d'eau 4

Avant de commencer 7

Exigences d'installation. 8

Instructions d'installation 11

Programmation de l'adoucisseur
d'eau 18

Entretien et nettoyage 25

Entretien périodique 27

Avant de faire un appel de
service 29

Vue éclatée/Liste des pièces . . . 36

Garantie limitée 43

Soutien au consommateur 44

MANUEL DU PROPRIÉTAIRE ET INSTRUCTIONS D'INSTALLATION

Modèle GXSHC40N

Inscrivez les numéros de
modèle et de série ici :

No de modèle _____

No de série _____

Pour voir ces numéros,
soulevez le couvercle et
regardez sur la bordure
en-dessous du panneau
de commande.



Système testé et homologué par NSF International
conformément à la norme 44 de la NSF/ANSI, aussi
homologué NSF/ANSI 372.



Système testé et homologué conformément à la
norme CSA B483.1 par la Water Quality Association.

Pour toute question ou préoccupation relative à l'installation ou l'entretien
de votre adoucisseur d'eau, composez sans frais le 866-777-7627, ou
visitez **ElectromenagersGE.ca**. Lorsque vous téléphonez, veuillez
avoir les numéros de modèle et de série de votre produit à portée de
la main. Cette information se trouve sur la décalcomanie signalétique
située sur la bordure en-dessous du couvercle du sel.

CONSIGNES DE SÉCURITÉ IMPORTANTES. LISEZ TOUTES LES INSTRUCTIONS AVANT L'UTILISATION

MESURES DE SÉCURITÉ

⚠️ AVERTISSEMENT

Pour votre sécurité, les instructions de ce manuel doivent être observées afin de minimiser le risque de décharge électrique, de blessure ou de dommage à la propriété

⚠️ AVERTISSEMENT

Vous pouvez utiliser

un tuyau d'eau froide galvanisé ou en cuivre pour mettre à la terre les prises électriques de votre domicile. L'omission de maintenir ce chemin de terre peut poser un risque de choc électrique. Si le tuyau d'eau froide est utilisé pour la mise à la terre des prises électriques, veuillez vous reporter à la section Installation du fil de terre avant de couper le tuyau.

- Vérifiez votre conformité avec les codes provincial et fédéral. Vous devez observer les consignes suivantes.
- Usez de prudence lorsque vous manipulez le système d'adoucissement d'eau. Abstenez-vous de le tourner à l'envers, de l'échapper, le trainer ou le déposer sur des protubérances coupantes.
- Les systèmes d'adoucissement d'eau utilisent du chlorure de sodium (sel) pour ajouter du sodium dans l'eau. Les personnes qui suivent un régime pauvre en sodium doivent tenir compte de cet ajout dans le calcul de leur consommation totale de sodium. Vous pouvez envisager de remplacer le chlorure de sodium par du chlorure de potassium dans votre adoucisseur d'eau.
- Utilisez seulement une brasure ou un flux exempt de plomb pour toutes les connexions brasées avec enrobage des bords (sweat-solder), tel que requis par les codes provincial et fédéral.
- Ce système d'adoucissement d'eau doit être installé correctement et situé conformément aux instructions d'installation avant son utilisation.
- Gardez le couvercle de l'orifice du sel à sa place sur l'adoucisseur sauf en cas de réparation de l'appareil ou de recharge en sel.

⚠️ AVERTISSEMENT

N'utilisez pas l'appareil

avec de l'eau d'une qualité incertaine ou non potable sur le plan microbiologique sans une désinfection en amont ou en aval du système.

⚠️ AVERTISSEMENT

Jetez proprement toutes les

pièces inutilisées et le matériel d'emballage après l'installation. Les petites pièces qui traînent après l'installation représentent un risque d'étouffement.

- Le système d'adoucissement d'eau fonctionne avec une alimentation électrique de 24 volts, 60 Hz seulement. Assurez-vous d'utiliser le transformateur externe inclus avec le produit.
- Le transformateur externe doit être branché sur une prise intérieure de 120 volt avec mise à la terre seulement.
- Utilisez seulement des sels d'adoucissement d'eau propres, purs à au moins 99,5 %. Du sel en PÉPITES, en PASTILLES ou du gros sel MARIN sont recommandés. N'utilisez pas du sel gemme, en bloc, granulé ou qui sert à la préparation de crème glacée. Ces types de sel peuvent contenir des saletés et des sédiments qui peuvent former une bouillie ou une croûte, causant ainsi des problèmes d'entretien pour l'adoucisseur d'eau.
- Installez l'appareil de façon qu'il ne soit pas exposé aux rayons directs du soleil. La chaleur excessive peut causer une distorsion ou d'autres dommages aux pièces non métalliques.
- Si vous installez l'adoucisseur d'eau à l'extérieur, ne le placez pas à un endroit exposé à la pluie, aux rayons directs du soleil, aux températures très chaudes ou froides, ni à d'autres formes d'abus.

LISEZ ET CONSERVEZ CES INSTRUCTIONS

Spécifications et efficacité déclarée

Ce système a été évalué sur le plan de l'efficacité nominale. L'efficacité nominale est valide seulement à la dose de sel minimale déclarée. L'adoucisseur est doté d'une régénération à la demande (R.A.D.) qui satisfait des spécifications d'efficacité précises destinées à minimiser les quantités de saumure de régénération et d'eau utilisées au cours de son fonctionnement.

L'adoucisseur affiche une efficacité nominale en sel qui n'est pas inférieure à 4000 grains échangés au total par livre de sel (chlorure de sodium), et il ne doit pas fournir plus de sel que la valeur nominale affichée ni fonctionner à un débit de service maximal soutenu supérieur à la valeur nominale affichée. Il a été démontré que cet adoucisseur génère de l'eau douce durant au moins dix minutes sans interruption au débit de service nominal. L'efficacité nominale en sel est mesurée par le laboratoire d'essai décrit dans la norme 44 de la NSF/ANSI. Ces essais représentent l'efficacité maximale que peut atteindre ce système. L'efficacité de fonctionnement est l'efficacité réelle de l'appareil une fois qu'il a été installé. Le rendement réel est généralement inférieur en raison de facteurs domestiques comme la dureté de l'eau, l'utilisation de l'eau et d'autres paramètres qui réduisent la capacité de l'adoucisseur.

Spécifications	
Modèle	GXSHC40N
Capacité nominale* (Grains@ dose de sel)	11,700 @ 2.3 lbs 31,500 @ 8.7 lbs. 40,000 @ 15.1 lbs.
Rendement nominal** (grains/livre de sel @ dose de sel minimale)	5,090 @ 2.3 lbs.
Eau utilisée durant la régénération (gallons/grains)	2.7 /1000
Eau totale utilisée par régénération @ dose de sel maximale	37.0 gallons
Quantité de résine échangeuse d'ions à haute capacité (lb/pi3)	57.56/1.11
Volume nominal du réservoir de résine (dia. int. x hauteur)	9 x 40
Débit de service (gal/min)	9.5
Chute de pression au débit de service nominal (psig)	12.7
Dureté maximale de l'alimentation d'eau (grains/gal)	110
Fer dissous maximal dans l'alimentation d'eau (ppm)***	8
Limites de la pression d'eau (psi minimum-maximum)****	20-125
Limites de la température d'eau (°F minimum-maximum)	40-120
Débit maximal vers l'évacuation (gal/minimum)	2.3

Ce système est conforme à la norme 42 et 44 de la NSF/ANSI relativement à la capacité spécifique déclarée selon ce que les données d'essai ont permis de vérifier et de documenter.

* Le sel régénérant utilisé pour les essais est du chlorure de sodium en pastilles.

** Le rendement nominal est seulement valide au plus bas dosage de sel déclaré. Le rendement nominal de ces adoucisseurs a été évalué d'après la norme 44 de la NSF/ANSI.

*** L'élimination du fer peut varier selon les conditions existantes. La capacité de réduire le fer dissous est documentée par les données d'essai de la WQA.

L'État du Wisconsin exige un traitement supplémentaire si l'alimentation d'eau contient plus de 5 ppm de fer dissous. Reportez-vous à la section Élimination du fer dans le système d'adoucissement d'eau.

**** Limites des pressions d'utilisation au Canada : 1,4 à 7,0 kg/cm².

Rendement déclaré		
Contaminant	Concentration de l'échantillon d'influent	Concentration maximale admissible dans l'eau
Barium	10 ±10% mg/L	2.0 mg/L
Radium 226/228	25 pCi/L	5pCi/L

Les paramètres d'essai comprennent : pH = 7,5±0,5, débit = 7,5 gal/min et pression dynamique = 35±5 psig

À propos du système d'adoucissement d'eau

SERVICE

Le « service » est ici compris comme la fourniture d'eau douce par le système d'adoucissement d'eau. Pendant le service, l'eau dure provenant du tuyau d'alimentation d'eau principal de la maison pénètre dans le système d'adoucissement d'eau. Le réservoir de résine du système d'adoucissement d'eau est doté d'un lit composé de milliers de petites billes de résine en plastique. À mesure que l'eau dure circule à travers ce lit, chaque bille attire et retient les minéraux durs. C'est ce que l'on appelle l'échange d'ions. Ce phénomène se compare à un aimant qui attire et retient les métaux. L'eau, débarrassée des minéraux durs (eau douce), sort du système d'adoucissement d'eau vers les tuyaux d'eau du domicile.

Au bout d'un certain temps, les billes de résine deviennent enrobées de minéraux durs et doivent être nettoyées. « Recharge » est le nom que l'on donne à ce nettoyage. La commande du système d'adoucissement d'eau démarre la recharge à 2 h 00 du matin (réglage d'usine) et celle-ci s'effectue en cinq étapes ou cycles. Ces étapes sont les suivantes : **REPLISSAGE, SAUMURAGE, RINÇAGE DE LA SAUMURE, LAVAGE À REBOURS ET RINÇAGE RAPIDE.**

DÉRIVATION AUTOMATIQUE DE L'EAU DURE DURANT LA RECHARGE

Durant la recharge, l'adoucisseur d'eau passe automatiquement en mode de dérivation afin que l'eau dure soit disponible dans le domicile. Une fois la recharge terminée, l'eau est redirigée à travers l'adoucisseur pour être traitée.

Vous devez cependant éviter d'utiliser de l'eau CHAUDE étant donné que le chauffe-eau se remplirait d'eau dure.

REPLISSAGE

Le sel dissous dans l'eau se nomme « saumure ». La saumure est nécessaire pour nettoyer les minéraux durs qui ont adhéré sur les billes de résine. Pour fabriquer la saumure, l'eau circule dans une zone de stockage de sel durant l'étape de remplissage.

SAUMURAGE

Durant le saumurage, la saumure voyage depuis le stockage de sel jusque dans le réservoir de résine. La saumure est un agent de nettoyage nécessaire pour éliminer les minéraux durs sur les billes de résine. Les minéraux durs et la résine sont évacués par le tuyau d'évacuation.

La buse et le venturi créent une succion qui déplace la saumure en maintenant un débit très lent afin d'obtenir le meilleur nettoyage de la résine avec le moins de sel.

RINÇAGE DE LA SAUMURE

Après l'utilisation d'une quantité prédéterminée de saumure, le robinet à saumure se ferme. L'eau continue d'emprunter le même chemin que pour le saumurage, cette fois-ci sans la saumure. Les minéraux durs et la saumure sont rincés dans le réservoir de résine et évacués par le tuyau d'évacuation.

LAVAGE À REBOURS

Durant le lavage à rebours, l'eau circule vers le haut à travers le réservoir de résine à un débit rapide afin de rincer le fer accumulé, les saletés et les sédiments du lit de résine, le tout évacué par le tuyau d'évacuation.

RINÇAGE RAPIDE

Le lavage à rebours est suivi d'une circulation d'eau rapide vers le bas à travers le réservoir de résine. Cela a pour effet de rincer la saumure dans le fond du réservoir et d'entasser le lit de résine.

Après le rinçage rapide, le système d'adoucissement d'eau retourne en mode de service d'eau douce.

À propos du système d'adoucissement d'eau

FONCTIONNEMENT NORMAL, AFFICHAGES SUR L'ÉCRAN

Pendant le fonctionnement normal, l'heure courante du jour et AM ou PM et **DAYS TO EMPTY** (jours pour vider le stock de sel) s'affiche sur l'écran du panneau de commande.

Le système va se recharger automatiquement à un moment de recharge pré-réglé selon le besoin.

FONCTIONS : COMMANDES DE RECHARGE FACULTATIVES

Il arrive que l'on puisse souhaiter ou avoir besoin de démarrer une recharge manuellement. Voici deux exemples :

- Vous avez utilisé plus d'eau que d'habitude (invités, lavage supplémentaire, etc.) et vous risquez de manquer d'eau douce avant la prochaine recharge.
- Le système manque de sel.

Utilisez une des fonctions suivantes pour démarrer une recharge immédiatement ou à l'heure de démarrage pré-réglée suivante.

RECHARGER CETTE NUIT

Touchez (brièvement) le bouton **RECHARGE**. Le message **RECHARGE TONIGHT** (recharger cette nuit) clignote sur l'écran. Une recharge aura lieu à la prochaine heure de démarrage pré-réglée. Si vous décidez d'annuler cette recharge, touchez le même bouton une fois de plus.

RECHARGER MAINTENANT

Maintenez une pression sur le bouton **RECHARGE** jusqu'à ce que le message **RECHARGE NOW** (recharger maintenant) commence à clignoter sur l'écran. L'adoucisseur d'eau démarre immédiatement une recharge et, une fois celle-ci terminée au bout d'environ deux heures, vous obtiendrez une nouvelle fourniture d'eau douce. Une fois démarrée, vous ne pouvez pas annuler la recharge.

FONCTION : MÉMOIRE

Si l'alimentation électrique au système d'adoucissement d'eau est interrompue, l'écran devient vierge et le voyant bleu s'éteint, mais la commande maintient l'affichage précis de l'heure durant 24 heures. Lorsque l'électricité est rétablie, vous devez régler l'heure courante seulement si l'écran et le voyant bleu clignotent. Tous les autres réglages sont maintenus et vous n'avez pas à les saisir de nouveau sauf si vous souhaitez apporter une modification.

Si l'heure clignote après une longue panne de courant, le système d'adoucissement d'eau continue de fonctionner comme il se doit afin de vous alimenter en eau douce. Il se peut cependant qu'une recharge survienne au mauvais moment de la journée jusqu'à ce que vous corrigiez l'heure du jour.

FONCTION/SERVICE : DIAGNOSTIC ÉLECTRONIQUE AUTOMATIQUE

L'ordinateur de commande est doté d'une fonction d'autodiagnostic du système électrique (à l'exception du courant d'entrée et du compteur d'eau). L'ordinateur surveille les composants et les circuits électriques pour assurer un bon fonctionnement. Si une déféctuosité survient, un codes d'erreur s'affiche sur l'écran

À propos du système d'adoucissement d'eau

RENSEIGNEMENTS SUR L'ÉTAT DE L'EAU

FER

Le fer contenu dans l'eau peut tacher les vêtements et les accessoires de plomberie. Il peut nuire à la saveur des aliments, de l'eau potable et d'autres breuvages. Le fer dans l'eau se mesure en parties par million (ppm). La quantité totale de fer en ppm ainsi que les types* de fer sont déterminés par analyse chimique. Il existe quatre différents types de fer dans l'eau :

- Le fer ferreux (eau claire)
- Le fer ferrique (eau rougeâtre)
- Fer bactérien et organiquement lié
- Fer colloïdal et non lié organiquement (ferreux ou ferrique)

Le fer ferreux (eau claire) est soluble et se dissout dans l'eau. Cet adoucisseur d'eau réduit des quantités modérées de ce type de fer (voir les spécifications).** Le fer ferreux (eau claire) est généralement détecté en prenant un échantillon d'eau dans une bouteille ou un verre clairs. Immédiatement après la prise, l'échantillon est clair. En le laissant reposer, l'échantillon devient graduellement trouble et légèrement jaune ou brun à mesure que l'air oxyde le fer. Cela se produit généralement en 15 à 30 minutes.

Lorsque vous utilisez l'adoucisseur pour réduire le fer ferreux (eau claire), ajoutez 5 grains au réglage de dureté pour chaque (1) ppm de fer ferreux. Voyez la section Réglage du numéro de dureté de l'eau.

Le fer ferrique (eau rougeâtre) et les fers bactériens et organiquement liés sont insolubles. Cet adoucisseur d'eau n'éliminera pas le fer ferrique ou bactérien. Ce fer est visible immédiatement lorsqu'il sort du robinet car il s'est oxydé avant d'atteindre votre maison. L'eau semble alors trouble car chargée de petites particules jaunes, orange ou rouges en suspension. Au bout d'un certain temps, les particules se déposent dans le fond du contenant. En général, ces fers sont retirés de l'eau par filtration. La chloration est aussi recommandée pour le fer bactérien.

Les fers colloïdaux et non liés organiquement constituent un type ferrique ou ferreux qui ne sera pas filtrée ou échangée à l'extérieur de l'eau. Cet adoucisseur d'eau ne retire pas le fer colloïdal. Dans certains cas, un traitement peut améliorer l'eau qui contient du fer colloïdal. Une teinte jaune caractérise cette eau quand elle sort du robinet. Après plusieurs heures, la couleur persiste et le fer ne sédimente pas mais demeure en suspension.

SÉDIMENTS (INTÉGRÉ)

Les sédiments sont de fines particules étrangères en suspension dans l'eau. Cet adoucisseur d'eau ne retire pas les sédiments. Ces derniers consistent la plupart du temps en de l'argile ou du silt. Une grande quantité de sédiments peut donner un aspect trouble à l'eau. À mesure que l'eau circule à travers l'adoucisseur, les grosses particules sont collectées dans le panier incorporé puis évacuées dans le drain avant chaque régénération. Le filtre à sédiments procure une protection additionnelle pour les électroménagers qui utilisent de l'eau en réduisant le risque de pénétration des grosses particules dans leurs composants.

IMPORTANT : Le filtre à sédiment n'est pas conçu pour remplacer le filtrage de prétraitement. Un filtrage supplémentaire est recommandé dans les cas où la qualité de l'eau est problématique.

CHLORE

La résine de l'adoucisseur peut se dégrader en présence de chlore supérieur à 2 ppm. Votre résine pourrait durer moins longtemps si la teneur en chlore de votre eau excède cette valeur. Dans ces conditions, vous pourriez souhaiter faire l'achat d'un système de filtration de point d'entrée GE Appliances doté d'un filtre de réduction du chlore.

* L'eau peut contenir un ou plusieurs des quatre types de fer et n'importe quelle combinaison de ceux-ci. Le fer total est la somme de leur teneur.

** La capacité de réduire le fer ferreux (eau claire) est documentée par les données d'essai de la WQA.

Avant de commencer

Avant de commencer

- L'adoucisseur d'eau exige un débit d'eau minimal de 3 gallons par minute à l'entrée. La pression d'eau maximale admissible à l'entrée est de 125 psi. Si la pression durant le jour est de 80 psi, la pression de nuit peut dépasser le maximum. Utilisez un robinet réducteur de pression si nécessaire (l'ajout d'un tel robinet peut diminuer le débit). Si votre domicile est équipé d'un dispositif antireflux, un réservoir d'expansion doit être installé en conformité avec les codes et les règlements locaux.
- L'adoucisseur d'eau utilise un transformateur externe enfichable directement (inclus). Assurez-vous d'utiliser le transformateur inclus et branchez-le dans une prise domestique de tension nominale 120 V, 60 Hz, située dans un endroit sec seulement, mise à la terre et correctement protégée contre les surtensions par un dispositif tel qu'un disjoncteur ou un fusible.
- La communication Wi-Fi exige une connectivité Wi-Fi et une alimentation électrique à l'emplacement de l'adoucisseur. La connexion de l'application ne fonctionnera pas si l'un de ces services est défaillant. (Vérifiez les deux services avant l'installation complète du système.)
- N'utilisez pas ce système pour traiter de l'eau d'une qualité incertaine ou non potable sur le plan microbiologique sans une désinfection adéquate en amont ou en aval du système.

OUTILS ET MATÉRIEL REQUIS POUR L'INSTALLATION

- Pince
- Tournevis
- Couteau utilitaire
- Deux clés réglables
- Ruban en téflon
- Deux raccords pour connecter la plomberie domestique à filetage NPT de 1 po sur les adaptateurs d'adoucisseur.
- Des pièces d'installation supplémentaires peuvent s'avérer nécessaires :
 - Brides et fil en cuivre de calibre 6, tous homologués UL pour la mise à la terre.

INSPECTION DE LA LIVRAISON

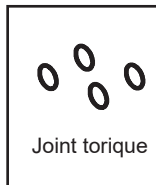
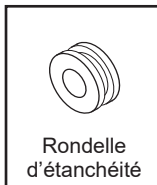
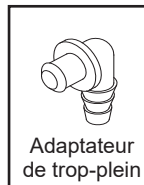
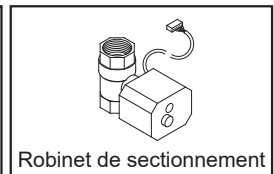
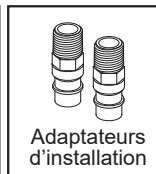
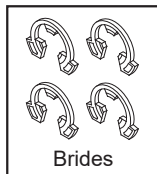
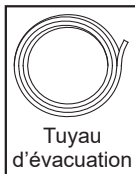
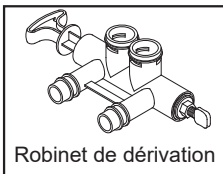
Assurez-vous de trouver toutes les pièces illustrées ci-dessous. Vous devez aussi vous procurer des pièces supplémentaires pour compléter l'installation. Inspectez attentivement l'adoucisseur d'eau dans l'éventualité de pertes de pièces ou de dommages causés par le transport. Inspectez et notez aussi tout dommage à l'emballage d'expédition.

Retirez et jetez proprement (recycler) tout le matériel d'emballage. Pour prévenir la perte de petites pièces, nous vous suggérons de les garder dans leur sac jusqu'à ce que vous soyez prêt à les utiliser.

⚠ AVERTISSEMENT

Jetez proprement toutes les pièces inutilisées et le matériel d'emballage après l'installation. Les petites pièces qui traînent après l'installation représentent un risque d'étouffement.

REMARQUE : L'omission de suivre ces instructions d'installation annulera la garantie et l'installateur sera responsable de toute réparation ou dommage que cela entraînera.



Exigences d'installation

EXIGENCES POUR L'EMPLACEMENT

Tenez compte de tous les éléments suivants lorsque vous choisissez un lieu d'installation pour votre adoucisseur d'eau.

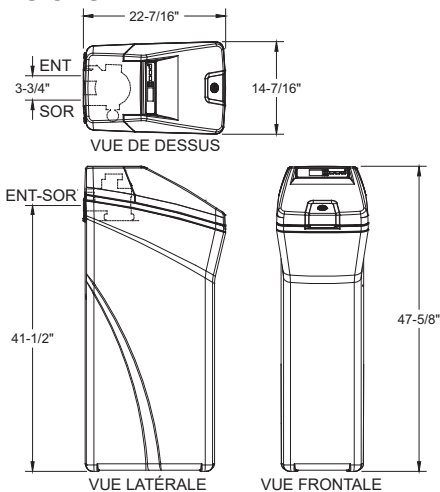
- N'installez pas l'adoucisseur à un endroit où les basses températures peuvent produire du gel. Ne tentez pas de traiter l'eau au-delà de 120 °F. **Les dommages par le gel ou l'eau très chaude annulent la garantie.**
- Pour traiter toute l'alimentation d'eau de la maison, installez l'adoucisseur d'eau près de l'entrée d'eau principale, en amont de tous les autres raccords de plomberie, à l'exception des tuyaux d'eau extérieurs. Les robinets extérieurs doivent continuer à livrer de l'eau dure afin de ne pas gaspiller l'eau traitée et le sel inutilement.
- La présence d'un drain à proximité est nécessaire pour évacuer l'eau de décharge de la régénération. Utilisez un drain de plancher, une cuve de lessivage, un puisard, une colonne de pression ou d'autres options (consultez vos codes locaux). Voyez les sections Exigences pour la coupure antiretour et Exigences pour le coude d'évacuation.
- L'adoucisseur d'eau utilise un transformateur externe enfichable directement (inclus). Assurez-vous d'utiliser le transformateur inclus et branchez-le dans une prise domestique de tension nominale 120 V, 60 Hz, située dans un endroit sec seulement, mise à la terre et correctement protégée contre les surtensions par un dispositif tel qu'un disjoncteur ou un fusible.
- Installez toujours l'adoucisseur d'eau entre l'entrée d'eau et le chauffe-eau. Tout autre équipement de traitement d'eau doit être installé entre l'entrée d'eau et l'adoucisseur d'eau (voir la figure ci-dessous).
- Si vous installez l'adoucisseur d'eau à l'extérieur, ne le placez pas à un endroit exposé à la pluie, aux rayons directs du soleil, aux températures très chaudes ou froides, ni à d'autres types d'abus.

■ NE FAITES PAS CIRCULER D'EAU (TRÈS) CHAUDE À TRAVERS L'ADOUCCISSEUR.

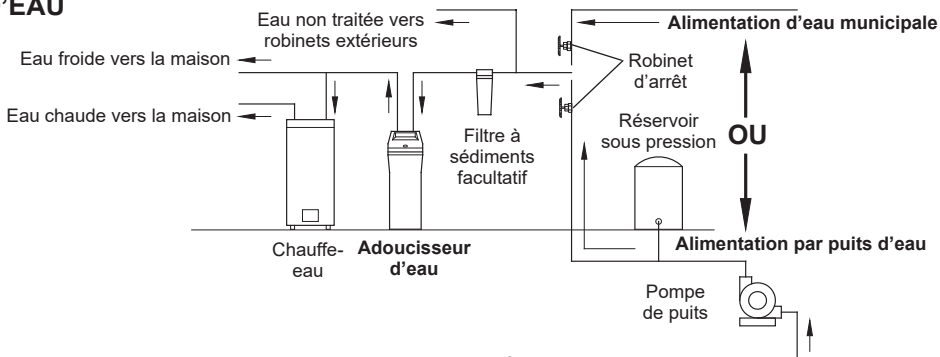
La température qui circule à travers l'adoucisseur doit être inférieure à 120 °F.

- Évitez d'exposer l'appareil aux rayons directs du soleil. La chaleur excessive du soleil peut causer une distorsion ou d'autres dommages aux pièces non métalliques.
- Si l'installation se situe à l'extérieur, prenez les mesures appropriées pour protéger l'adoucisseur, l'installation, la plomberie et le câblage contre les éléments, les rayons directs du soleil, la contamination, le vandalisme, les insectes, la vermine, etc.
- N'installez pas l'adoucisseur où il pourrait bloquer l'accès au chauffe-eau ou au robinet d'arrêt principal.

DIMENSIONS



ORDRE D'INSTALLATION APPROPRIÉE DE L'ÉQUIPEMENT DE TRAITEMENT D'EAU



Exigences d'installation

CODES DE PLOMBERIE

Toute la plomberie doit être réalisée en conformité avec les codes de plomberie national, provincial et local.

Dans l'État du Massachusetts : Il importe de se conformer au code de plomberie 248-CMR du Commonwealth du Massachusetts. Cette installation doit être réalisée par un plombier agréé.

EXIGENCES POUR LA COUPURE ANTIRETOUR

Un drain est nécessaire pour évacuer l'eau de régénération (voir la Figure 1). Un drain de plancher à proximité de l'adoucisseur d'eau est préférable. Une cuve de lessivage, une colonne de pression, etc. constituent d'autres options. Fixez le tuyau d'évacuation en place. Laissez une coupure antiretour de 1 1/2 po entre l'extrémité du tuyau et le drain. Cette coupure est nécessaire pour prévenir le retour de l'eau d'égout dans l'adoucisseur d'eau. Ne placez pas l'extrémité du tuyau d'évacuation dans le drain.

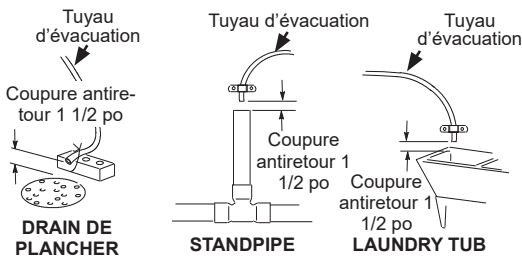


Figure 1

EXIGENCES POUR LE DISPOSITIF D'ÉVACUATION

Prenez le tuyau d'évacuation flexible (inclus, voir Figure 2), mesurez et coupez-le à la longueur nécessaire. Un tuyau d'évacuation flexible n'est pas autorisé dans toutes les localités (vérifiez vos codes de plomberie). Si les codes locaux n'autorisent pas un tuyau d'évacuation flexible, vous devez utiliser un dispositif d'évacuation rigide. Procurez-vous un raccord à compression (1/4 NPT x 1/2 po minimum) et un tuyau de 1/2 po auprès de votre quincaillerie locale. Connectez le raccord à un tuyau rigide (voir Figure 3).

REMARQUE : Le tuyau d'évacuation flexible ne devrait pas dépasser 30 pieds (9,1 m). Évitez de monter le tuyau à plus de 8 pieds (2,4 m) du plancher. Assurez-vous que le tuyau d'évacuation rigide est aussi court et direct que possible.

TUYAU D'ÉVACUATION FLEXIBLE

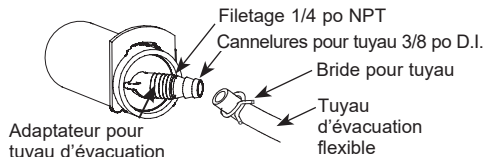


Figure 2

TUYAU D'ÉVACUATION RIGIDE

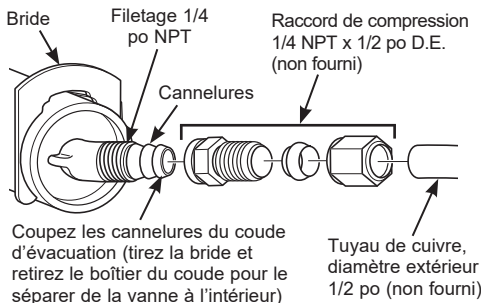


Figure 3

Exigences d'installation

EXIGENCES POUR LA PLOMBERIE D'ENTRÉE ET DE SORTIE

Installez toujours soit un robinet de dérivation simple (inclus, Figure 4), soit des pièces pour monter un système de dérivation à trois robinets (non incluses) offertes dans le commerce (Figure 5). Les robinets de dérivation vous permettent de fermer l'eau à l'adoucisseur pour l'entretien, si nécessaire, tout en maintenant la disponibilité de l'eau dans la maison.

Le diamètre des raccords de tuyau doit être de 1/2 po au minimum.

Utilisez :

- Tuyau en cuivre
- Tuyau fileté
- Tuyau en polyéthylène réticulé (ang. PEX)
- Tuyau en plastique PVC-C (ang. CPVC)
- Un autre tuyau homologué pour utilisation avec de l'eau potable

IMPORTANT: Ne brasez pas avec la plomberie attachée à des adaptateurs d'installation ou à un robinet de dérivation simple. La chaleur du brasage peut endommager les adaptateurs et le robinet.

ROBINET DE DÉRIVATION SIMPLE

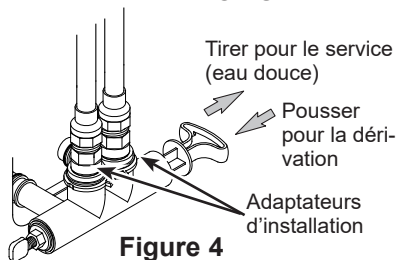


Figure 4

3-VALVE BYPASS SYSTEM

Pour le service d'eau douce : Ouvrez les robinets d'entrée et de sortie et fermez le robinet de dérivation.

Pour l'eau dure de dérivation : Fermez les robinets d'entrée et de sortie et ouvrez le robinet de dérivation.

DÉRIVATION À 3 ROBINETS

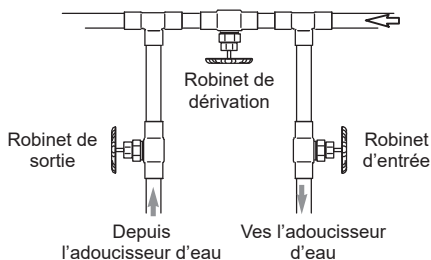


Figure 5

⚠ AVERTISSEMENT

Vous pouvez utiliser un

tuyau d'eau froide galvanisé ou en cuivre pour mettre à la terre les prises électriques de votre domicile. L'omission de maintenir ce chemin de terre peut poser un risque de choc électrique. Si le tuyau d'eau froide est utilisé pour la mise à la terre des prises électriques, veuillez vous reporter à la section Installation du fil de terre avant de couper le tuyau.

Instructions d'installation

INSTALLATION TYPIQUE

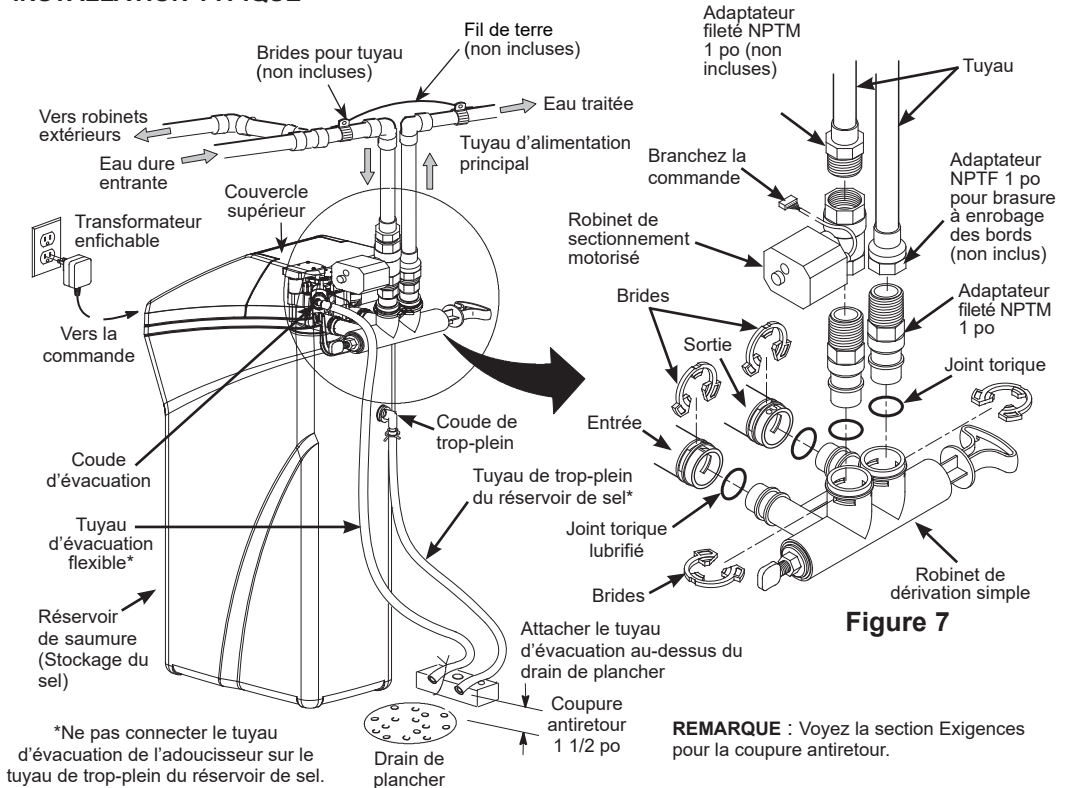


Figure 6

- Retirez le bouchon d'expédition en plastique et le fil qui sort de l'orifice de sortie du robinet.

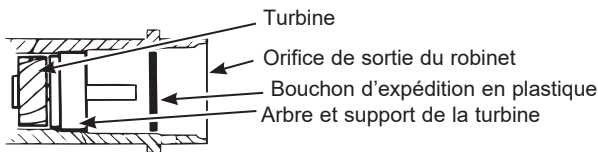


Figure 8

REMARQUE : Assurez-vous que la turbine et le support sont solidement en place dans l'orifice de sortie du robinet. Soufflez dans l'orifice de sortie du robinet et regardez si la turbine tourne librement.

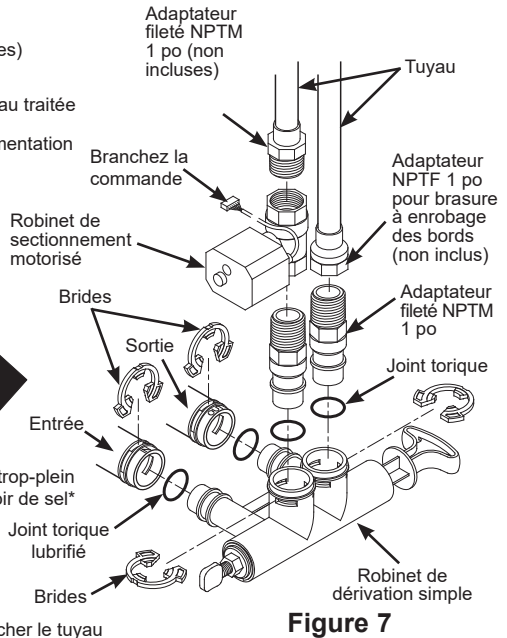


Figure 7

REMARQUE : Voyez la section Exigences pour la coupure antiretour.

Instructions d'installation

FERMETURE DE L'ALIMENTATION D'EAU

1. Fermez le robinet d'alimentation d'eau principal situé près de la pompe de puits ou du compteur d'eau.
2. Ouvrez tous les robinets pour évacuer toute l'eau des tuyaux de la maison.

REMARQUE : Assurez-vous d'évacuer l'eau du chauffe-eau sinon des dommages aux éléments chauffants pourraient en résulter.

INSTALLATION DE L'ADAPTATEUR DE TROP-PLEIN DU RÉSERVOIR DE SAUMURE

Installez la rondelle et l'adaptateur de trop-plein du réservoir de saumure dans le trou de 13/16 po sur l'arrière du réservoir de stockage de sel (voir Figure 9).

REMARQUE : L'adaptateur de trop-plein du réservoir de saumure accepte un tuyau flexible de 1/2 po ou de 3/8 po (D.I.).

INSTALLATION DU ROBINET DE DÉRIVATION

REMARQUE : Pour faciliter l'installation, retirez le couvercle supérieur. Déclenchez les 2 attaches à l'arrière du couvercle. Tournez le couvercle vers l'avant et soulevez-le.

1. Faites une inspection visuelle et retirez tout débris dans les orifices d'entrée et de sortie du robinet de l'adoucisseur d'eau (voir Figure 7).
2. Assurez-vous que la turbine tourne librement dans l'orifice de sortie du robinet (voir Figure 8).
3. Si ce n'est pas déjà fait, appliquez une légère couche de graisse au silicone (fournie) sur les joints toriques du robinet de dérivation simple (voir Figure 7).
4. Poussez le robinet de dérivation simple dans le robinet de l'adoucisseur d'eau aussi loin qu'il peut aller. Enclenchez les deux grandes brides de retenue en place en procédant de haut en bas (voir Figures 7 et 10).

IMPORTANT : Assurez-vous que les brides s'enclenchent fermement en place de façon que le robinet de dérivation simple ne puisse sortir.

MISE EN PLACE DE L'ADOUCCISSEUR D'EAU

⚠ AVERTISSEMENT

Risque lié au poids excessif

Mobilisez deux personnes ou plus pour déplacer et installer l'adoucisseur d'eau. L'omission de procéder ainsi peut occasionner des blessures au dos ou à ailleurs.

- Déplacez l'adoucisseur d'eau à l'emplacement désiré. Posez-le sur une surface solide et de niveau.

IMPORTANT : Ne placez pas de cales directement en-dessous du réservoir de sel pour mettre l'adoucisseur de niveau. Le poids du réservoir, lorsqu'il est plein d'eau et de sel, peut fracturer l'appareil à l'endroit de la cale.

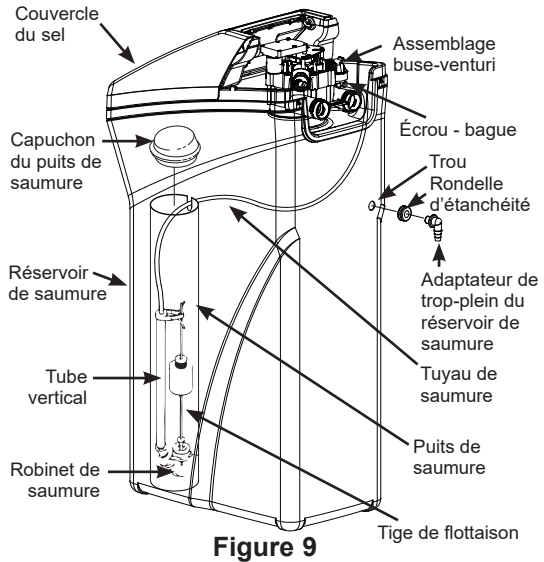
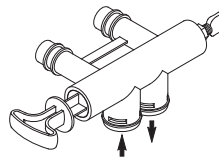


Figure 9

REMARQUE : L'appareil est illustré avec le couvercle supérieur retiré.

ROBINET DE DÉRIVATION SIMPLE



Si vous raccordez à une plomberie au niveau du plancher, installez le robinet de dérivation tourné vers le bas, comme illustré

ASSEMBLAGE CORRECT

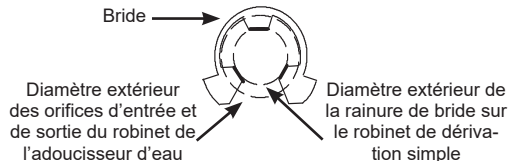


Figure 10

REMARQUE : Assurez-vous que les 3 languettes de la bride se placent dans les trous correspondants des orifices d'entrée et de sortie du robinet de l'adoucisseur d'eau, et complètement dans la rainure du robinet de dérivation simple. Assurez-vous que les languettes sont insérées à fond.

Instructions d'installation

ACCÈS AU TABLEAU DE COMMANDE PRINCIPAL

(POUR BRANCHER DANS LE ROBINET DE SECTIONNEMENT)

INSTALLATION DU ROBINET DE SECTIONNEMENT MOTORISÉ

Installez le robinet de sectionnement inclus sur l'adaptateur d'installation fileté qui mène à l'orifice d'ENTRÉE de l'adoucisseur. Vous pouvez aussi l'installer ailleurs dans la tuyauterie, en amont de l'orifice d'entrée de l'adoucisseur, en vous assurant que le câble de 10 pi (3 m) atteindra le tableau de commande principal de l'adoucisseur (voir l'illustration). Les entrées et sorties du robinet de sectionnement ont un filetage NPT femelle de 1 po. Supportez le poids du robinet de sectionnement.

Une fois la plomberie terminée, assurez-vous que l'adoucisseur n'est pas sous tension, et branchez le câble du robinet de sectionnement dans le connecteur correspondant sur le tableau de commande (voir l'illustration à droite).

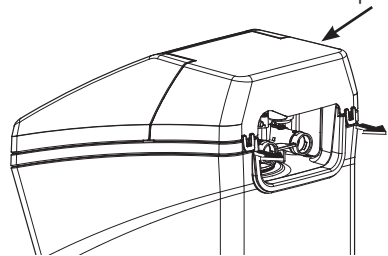
REMARQUE : Vous pouvez aussi vous servir du robinet de sectionnement manuellement en tirant et tournant le bouton sur le corps du robinet, bien qu'il ne soit pas nécessaire de le faire à l'installation.

⚠ ATTENTION

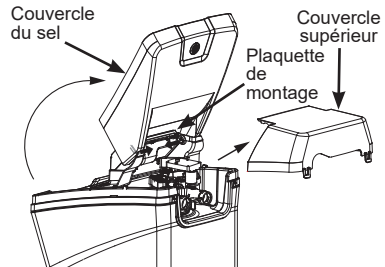
Ne mettez pas les doigts dans le robinet de sectionnement

motorisé lorsqu'il est branché dans le contrôleur électronique.

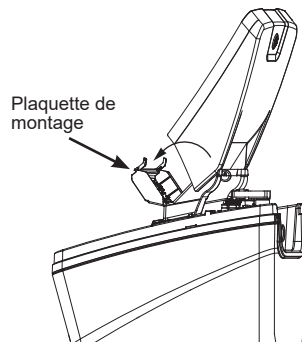
1. Tirez les deux languettes sur l'arrière du couvercle supérieur pour déverrouiller ce dernier. Couvercle supérieur



2. Inclinez le couvercle supérieur vers le haut et soulevez-le.
3. Ouvrez le couvercle du sel et inclinez-le vers l'arrière jusqu'à ce qu'il s'immobilise.
4. Tirez les deux languettes vers le centre pour déverrouiller la plaquette de montage.

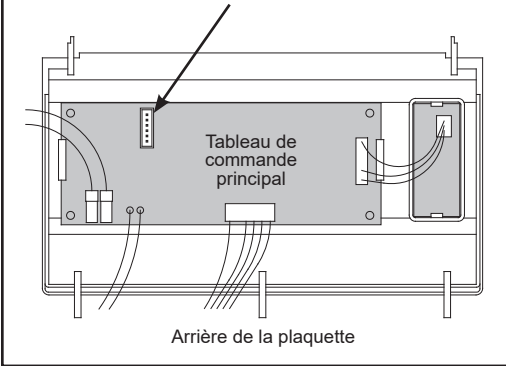


5. Inclinez la plaquette vers l'avant pour exposer l'arrière du tableau de commande.



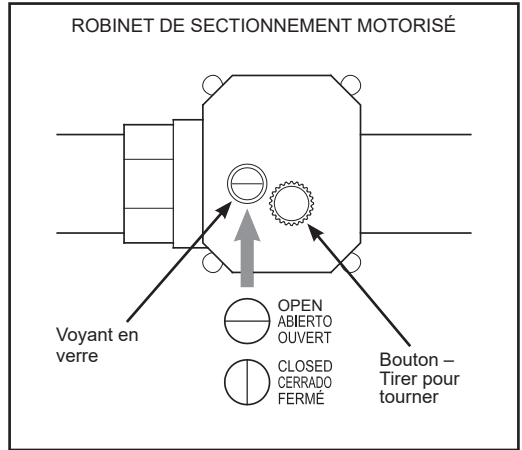
Instructions d'installation

6. Avec l'appareil hors tension, branchez le câble du robinet de sectionnement dans ce connecteur.



ROBINET DE SECTIONNEMENT MOTORISÉ

Pour vous servir du robinet de sectionnement motorisé manuellement, tirez le bouton rond sur le robinet et tournez-le jusqu'à ce que la ligne rouge dans le voyant en verre corresponde à la position désirée (ouvert ou fermé). Voyez l'illustration ci-dessous.



Instructions d'installation

ACHÈVEMENT DE LA PLOMBERIE D'ENTRÉE ET DE SORTIE

⚠ AVERTISSEMENT

Vous pouvez utiliser un tuyau d'eau froide galvanisé ou en cuivre pour mettre à la terre les prises électriques de votre domicile. L'omission de maintenir ce chemin de terre peut poser un risque de choc électrique. Si le tuyau d'eau froide est utilisé pour la mise à la terre des prises électriques, veuillez vous reporter à la section Installation du fil de terre avant de couper le tuyau.

IMPORTANT : Cet adoucisseur d'eau consiste en un système de robinets non métalliques. Son raccordement à une plomberie métallique va interrompre la continuité électrique et du même coup la mise à la terre de la maison. Vous devez donc rétablir la continuité électrique de votre système de plomberie métallique.

Si vous installez un système de dérivation à trois robinets (Figure 5), la continuité électrique sera maintenue. Si vous installez un robinet de dérivation non métallique (Figure 11), veuillez vous reporter à la section Installation du fil de terre avant de couper le tuyau.

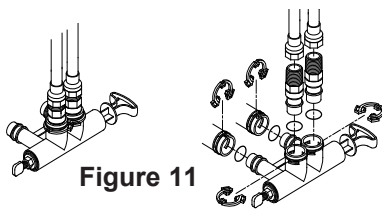


Figure 11

Mesurez, coupez et assemblez sans trop serrer le tuyau et les raccords du tuyau d'eau principal sur les orifices d'entrée et de sortie du robinet de l'adoucisseur. Assurez-vous de garder les raccords ensemble et les tuyaux bien droits.

ASSUREZ-VOUS QUE L'ALIMENTATION D'EAU DURE EST DIRIGÉE DANS L'ORIFICE D'ENTRÉE DU ROBINET DE L'ADOUCCISSEUR.

REMARQUE : Les orifices d'entrée et de sortie sont identifiés sur le robinet de l'adoucisseur. Tracez la direction de l'écoulement pour être certain que l'eau dure ira dans l'orifice d'entrée.

IMPORTANT : Assurez-vous de placer, aligner et supporter toute la plomberie afin de ne pas mettre de tension sur les orifices d'entrée et de sortie du robinet de l'adoucisseur. La tension générée par une plomberie mal alignée ou non supportée peut endommager le robinet.

• Si votre installation comporte la brasage d'un tuyau en cuivre, effectuez tout le brasage avec enrobage des bords (sweat soldering) avant de connecter les tuyaux aux adaptateurs NPT et au robinet de dérivation. La chaleur de la torche endommagerait les pièces en plastique.

⚠ AVERTISSEMENT

Si le raccordement des tuyaux se fait par brasage, utilisez seulement une brasure et un flux sans plomb afin de prévenir l'empoisonnement.

- Lorsque vous vissez les filetages de tuyau dans les raccords en plastique, veillez à ne pas fausser le filetage.
- Utilisez du ruban en téflon sur tous les filetages de tuyau externes.

La plomberie d'entrée et de sortie doit être compatible avec le type de tuyaux que vous utilisez. Fixez la bride de mise à la terre sur les tuyaux métalliques.

INSTALLATION DU FIL DE TERRE

REMARQUE : Si la plomberie de votre domicile est en plastique, elle ne peut servir de trajet de mise à la terre et cette étape doit être ignorée.

IMPORTANT : Vous pouvez utiliser un tuyau d'eau froide galvanisé ou en cuivre pour mettre à la terre les prises électriques de votre domicile. **La mise à la terre vous protège des chocs électriques.** L'adoucisseur d'eau peut interrompre ce trajet de mise à la terre. Pour restaurer la connexion, installez à travers un fil de cuivre de calibre 6 d'une longueur de 12 po (31 cm) et fixez-le solidement à l'aide de brides de mise à la terre en bronze de 1/2 à 1 po homologuées UL aux deux extrémités comme illustré (Figure 12). Il ne faut pas utiliser des brides en zinc sur une plomberie en cuivre. Vous pouvez vous procurer le fil et les brides dans votre quincaillerie locale.

1. Nettoyez le tuyau en cuivre et les extrémités du fil avec du papier émeri. Un fil dénudé est recommandé. Si un fil isolé est utilisé, vous devez le dénuder sur 3/4 po à chaque bout avant de les nettoyer avec le papier émeri.
2. Fixez les brides en bronze sur le tuyau. Serrez les vis.
3. Installez les brides comme illustré. Serrez les vis.

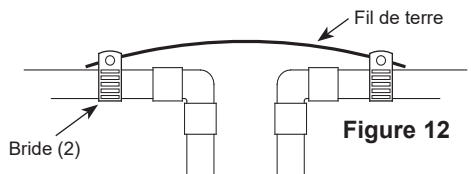


Figure 12

REMARQUE : Si vous installez un filtre à sédiments ou d'autres composants dans le système de plomberie équipé de l'adoucisseur d'eau, assurez-vous de rétablir la continuité électrique à travers toutes les sections de tuyau métallique retirées.

Instructions d'installation

INSTALLATION DU TUYAU D'ÉVACUATION FLEXIBLE

1. Mesurez et coupez le tuyau d'évacuation de 3/8 po (fourni) à la longueur désirée et connectez-le sur le raccord d'évacuation de l'adoucisseur d'eau. Utilisez une bride pour tuyau pour maintenir celui-ci en place.

REMARQUE : Le tuyau d'évacuation ne devrait pas dépasser 30 pieds (9,1 m). Évitez de monter le tuyau à plus de 8 pieds (2,4 m) du plancher. Assurez-vous que le dispositif d'évacuation rigide est aussi court et direct que possible.

IMPORTANT: Si les codes exigent un tuyau d'évacuation rigide, voyez la section Exigences pour le dispositif d'évacuation.

2. Acheminez le tuyau flexible ou le tuyau en cuivre jusqu'au drain de plancher ou un autre point d'évacuation. Fixez le tuyau d'évacuation flexible. Cela préviendra les « coups de fouet » lors de la régénération. Voyez la section Exigences pour la coupure antiretour (Figure 1).

REMARQUE : L'adoucisseur ne fonctionnera pas si l'eau ne peut pas quitter le tuyau flexible lors de la recharge.

INSTALLATION DU TUYAU DE TROP-PLEIN DU RÉSERVOIR DE SAUMURE (STOCKAGE DU SEL)

1. Mesurez coupez à la longueur désirée et connectez le tuyau d'évacuation de 3/8 po (fourni) sur le coude de trop-plein du réservoir de stockage du sel et fixez-le en place avec une bride de tuyau.

2. Acheminez le tuyau jusqu'au drain de plancher ou un autre point d'évacuation approprié, lesquels ne doivent pas être plus élevés que le raccord d'évacuation sur le réservoir de stockage du sel (évacuation par gravité). Si l'eau déborde du réservoir, l'eau en excès s'écoule jusqu'au drain. Coupez le tuyaux d'évacuation à la longueur désirée et acheminez-le correctement de façon qu'il ne nuise pas.

IMPORTANT: Pour le bon fonctionnement de l'adoucisseur d'eau, ne connectez pas le tuyau d'évacuation de l'adoucisseur sur le tuyau de trop-plein du réservoir de sel.

RINÇAGE DES PARTICULES FINES DE CHARBON

Des petites particules de matière de filtration au charbon sont produites pendant la fabrication et l'expédition. Ces particules seront évacuées du réservoir du dispositif avec la première circulation d'eau à travers l'adoucisseur. Ces particules ne sont pas nocives, mais elles donnent une coloration grise à l'eau qui doit donc être évacuée dans le drain avant d'être dirigée vers la robinetterie et le chauffe-eau de la maison.

TESTS DE VÉRIFICATION DES FUITES

Afin de prévenir la pression d'air dans l'adoucisseur et le système de plomberie, exécutez les étapes suivantes dans l'ordre :

1. Ouvrez complètement deux robinets d'eau froide douce ou plus à proximité de l'adoucisseur, situés en aval de celui-ci.
2. Placez le(s) robinet(s) de dérivation (simple ou à 3 robinets) dans la position de dérivation (bypass). Voir les Figures 4 et 5.
3. Ouvrez lentement le robinet d'alimentation d'eau principal. Faites circuler l'eau jusqu'à obtenir un écoulement régulier des robinets ouverts, sans bulles d'air.
4. Placez le ou les robinets de dérivation dans la position de service (eau douce) comme suit :
 - Robinet de dérivation simple (Figure 4) : Déplacez lentement la tige du robinet vers la position de service, en arrêtant plusieurs fois pour permettre à l'adoucisseur de se remplir d'eau.
 - Dérivation à 3 robinets (Figure 5) : Fermez complètement le robinet de dérivation et ouvrez le robinet de sortie. Ouvrez lentement le robinet d'entrée, en arrêtant plusieurs fois pour permettre à l'adoucisseur de se remplir d'eau.
5. Au bout de trois minutes, ouvrez le robinet d'eau chaude jusqu'à obtenir un écoulement régulier sans bulles d'air, puis fermez ce robinet.
6. Fermez tous les robinets d'eau froide et vérifiez l'absence de fuites aux raccords de plomberie que vous avez effectués.
7. Vérifiez l'absence de fuites autour des brides et des orifices d'entrée et de sortie de l'adoucisseur. Si vous observez une fuite à une bride, dépressurisez la plomberie (fermez l'alimentation d'eau et les robinets ouverts) avant de retirer la bride. Lors du retrait des brides aux orifices d'entrée et de sortie de l'adoucisseur, poussez le corps du robinet de dérivation simple vers l'adoucisseur (voir Figure 13). Un retrait incorrect peut endommager les brides. Ne réinstallez pas des brides endommagées.

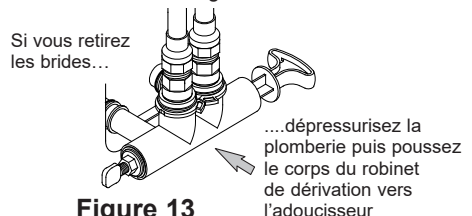


Figure 13

Instructions d'installation

AJOUT D'EAU ET DE SEL DANS LE RÉSERVOIR DE STOCKAGE DE SEL

⚠ AVERTISSEMENT

RISQUE LIÉ AU POIDS EXCESSIF

Mobilisez deux personnes ou plus pour déplacer et soulever les sacs de sel. L'omission de procéder ainsi peut occasionner des blessures au dos ou à ailleurs.

1. À l'aide d'un contenant, ajoutez environ trois gallons (11 litres) d'eau propre dans le réservoir de stockage de sel.
2. Ajoutez le sel dans le réservoir de stockage. Utilisez du sel en pépites, pastilles ou du gros sel marin à moins de 1 % d'impuretés.

BRANCHEMENT DE L'ADOUCCISSEUR D'EAU

1. Branchez l'adoucisseur d'eau dans une prise électrique qui n'est pas contrôlée par un interrupteur.
2. Remplacez le couvercle supérieur.
3. Remplacez le couvercle de l'orifice de sel.

REMARQUE : Le chauffe-eau est rempli d'eau dure et, à mesure que l'eau chaude est consommée, il se remplira d'eau traitée. En quelques jours, la totalité de l'eau chaude sera traitée. Pour obtenir immédiatement de l'eau chaude entièrement traitée, attendez que la recharge initiale soit terminée. Ensuite, videz le chauffe-eau (en suivant les instructions du chauffe-eau) jusqu'à ce que l'eau qui coule soit froide.

⚠ AVERTISSEMENT

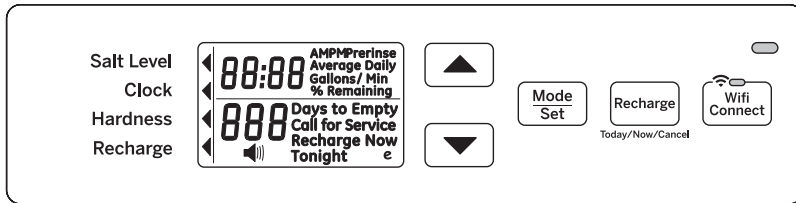
Jetez

proprement toutes les pièces inutilisées et le matériel d'emballage après l'installation. Les petites pièces qui traînent après l'installation représentent un risque d'étouffement.

DÉSINFECTATION DE L'ADOUCCISSEUR D'EAU (ET APRÈS UNE RÉPARATION)

1. Ouvrez le couvercle de l'orifice de sel, retirez le capuchon du puits de saumure et versez environ 3 oz (6 cuillères à table) d'eau de Javel domestique dans le puits de saumure. Remplacez le capuchon du puits de saumure.
2. Assurez-vous que le ou les robinets de dérivation sont dans la position de service (ouverts).
3. Démarrez une recharge (régénération) comme suit :
Pressez la touche **RECHARGE** et maintenez la pression durant trois secondes jusqu'à voir << RECHARGE NOW >> (recharger maintenant) commencer à clignoter indiquant le début d'une recharge. Cette recharge introduit l'eau de Javel de désinfection ou la saumure dans et à travers l'adoucisseur d'eau. Tout air résiduel dans l'adoucisseur est expulsé vers le drain. Pendant cette période, vérifiez périodiquement l'absence de fuites.
REMARQUE : Comme pour tout système d'eau, des fuites peuvent survenir. Les fuites ne sont pas toujours apparentes sur le coup. Revérifiez 24 heures après la fin du premier cycle de recharge.
4. Une fois la recharge terminée, ouvrez complètement un robinet d'eau froide, en aval de l'adoucisseur, et faites circuler 50 gallons (190 litres) d'eau à travers le système. Cela devrait prendre au moins 20 minutes. Fermez le robinet.

Programmation de l'adoucisseur d'eau



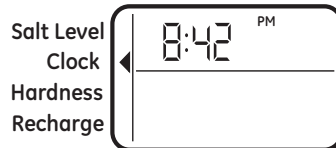
Lorsque le transformateur est branché dans la prise électrique, un code de modèle et un numéro de test (p.ex. y4.1 et H40) s'affichent sur l'écran. Ensuite « 12:00 PM » commence à clignoter. Une flèche ◀ apparaît à côté de **CLOCK** (horloge) sur la décalcomanie frontale.

RÉGLAGE DES COMMANDES :

- **LE RÉGLAGE DES COMMANDES EST REQUIS** lors de l'installation initiale et après une panne de courant prolongée.
- Utilisez la touche **MODE/SET** (mode/réglage) pour faire défiler la flèche jusqu'au groupe de commandes désiré.
- Une fois le mode sélectionné, utilisez les touches fléchées du haut ▲ ou du bas ▼ pour modifier les réglages de la commande.
- Pressez la touche **MODE/SET** pour accepter les modifications.
- Un bip retentit lorsque vous pressez les touches de programmation. Un bip indique une modification sur l'écran de commande. Une répétition de bips indique que la commande n'accepte pas une modification et que vous devez choisir une autre touche.

RÉGLAGE DE L'HEURE DU JOUR

1. Pressez la touche **MODE/SET** jusqu'à ce que la flèche ◀ pointe vers **CLOCK**.
2. Pressez la touche du haut ▲ ou du bas ▼ pour régler l'heure actuelle. La touche ▲ avance l'heure; la touche ▼ la faire reculer. Assurez-vous que AM et PM sont corrects.



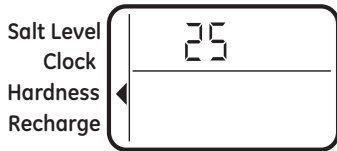
REMARQUE : Pressez les touches et relâchez-les rapidement pour avancer lentement d'un chiffre à la fois sur l'écran. Maintenez la pression sur les touches pour avancer rapidement.

3. Lorsque l'heure appropriée s'affiche, pressez **MODE/SET** pour l'accepter.

Programmation de l'adoucisseur d'eau

RÉGLAGE DU NUMÉRO DE DURETÉ DE L'EAU

1. Pressez la touche **MODE/SET** jusqu'à ce que la flèche ◀ pointe vers **HARDNESS** (dureté). Le nombre 25 clignote sur l'écran.



2. Pressez la touche du haut ▲ ou du bas ▼ pour régler le numéro de dureté de votre eau.

REMARQUE : Si votre alimentation d'eau contient du fer, compensez en additionnant au numéro de dureté. Par exemple, admettons que votre eau a une dureté de 20 grains/gal et contient 2 ppm de fer. Additionnez alors 5 au numéro de dureté pour chaque 1 ppm de fer. Dans cet exemple, votre numéro de dureté est 30.

$$20 \text{ gpg hardness} \\ 2 \text{ ppm iron} \times 5 = 10 \frac{+10}{30 \text{ HARDNESS NUMBER}} \\ \text{(times)}$$

3. Lorsque la dureté de votre eau s'affiche sur l'écran (en grains par gallon), pressez **MODE/SET** pour accepter.

Vous pouvez obtenir la dureté de votre alimentation d'eau en grains par gallon (ang. gpg) auprès d'un laboratoire d'analyse de l'eau. Appelez le service d'alimentation d'eau de votre municipalité si celle-ci est votre fournisseur. Vous pouvez aussi communiquer avec Legend Technical Services, un laboratoire indépendant, pour obtenir une trousse d'analyse de votre dureté d'eau, au 1.800.949.8220, option 4. Si votre rapport indique une dureté en parties par million (ppm) ou en milligrammes par litre (mg/l), divisez simplement par 17,1 pour obtenir la valeur équivalente en grains par gallon.

RÉGLAGE DE L'HEURE DE LA RECHARGE (DÉMARRAGE)

1. Pressez la touche **MODE/SET** jusqu'à ce que la flèche ◀ pointe vers **RECHARGE** (dureté).



REMARQUE : L'heure de 2:00 AM (réglage d'usine) clignotera sur l'écran. Il s'agit de l'heure appropriée pour démarrer la recharge (durée d'environ 2 heures) dans la plupart des ménages car l'eau n'est pas consommée pendant cette période. L'EAU DURE est dérivée vers les robinets de la maison durant la recharge.

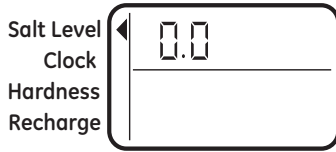
Si aucune modification n'est nécessaire, allez à l'étape 3. Pour modifier l'heure de démarrage de la recharge, suivez l'étape 2.

2. Pressez la touche du haut ▲ ou du bas ▼ pour régler l'heure de démarrage de la recharge. Assurez-vous de vérifier AM ou PM comme pour le réglage de l'heure du jour.
3. Pressez la touche **MODE/SET** pour accepter.

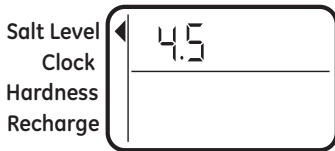
Programmation de l'adoucisseur d'eau

RÉGLAGE DU NIVEAU DE SEL

1. Pressez la touche **MODE/SET** jusqu'à ce que la flèche ◀ pointe vers **SALT LEVEL** (niveau de sel).



2. Déterminez le niveau de sel dans le réservoir de saumure à partir de l'échelle numérotée sur le côté du puits de saumure, à l'intérieur du réservoir de saumure (voir Figure 14).
3. Pressez la touche du haut ▲ ou du bas ▼ pour régler le **SALT LEVEL** à la valeur indiquée sur l'échelle du réservoir de saumure.



REMARQUE : Chaque pression de touche change le niveau par unités de 0,5 jusqu'à 8,0. Si vous abaissez le niveau de sel jusqu'à zéro, l'indicateur **SALT LEVEL** s'éteindra.

4. Pressez la touche **MODE/SET** pour accepter. L'écran affiche l'heure actuelle du jour et **DAYS TO EMPTY**.

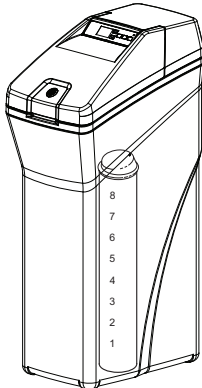
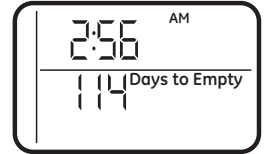


Figure 14

JOURS POUR VIDER LE SEL

Les mots **DAYS TO EMPTY** (jours pour vider le stock de sel) et un nombre s'affichent dans la moitié inférieure de l'écran. Cette



information apparaît lors de l'affichage normal. Elle vous indique le nombre de jours avant que le niveau de sel dans le réservoir de saumure atteigne zéro (0). Il restera du sel dans le réservoir de sel, mais il peut s'avérer insuffisant pour complètement recharger le système. Du sel doit être ajouté à ce moment pour éviter l'eau dure. La valeur est mise à jour quotidiennement et dès que la valeur du **NIVEAU DE SEL** est modifiée.

REMARQUE : Pendant les premières semaines de fonctionnement, la fonction **DAYS TO EMPTY** peut se comporter d'une façon erratique. Par exemple, le voyant bleu peut se mettre à clignoter, indiquant la nécessité d'ajouter du sel alors que le niveau réel de sel dans le réservoir est bien au-dessus du niveau 0. Dans certains cas, la fonction **DAYS TO EMPTY** peut même augmenter sur une période de plusieurs semaines.

L'adoucisseur d'eau a besoin de quelques mois pour apprendre votre utilisation de l'eau. Après cela, il déterminera avec précision votre profil d'utilisation du sel. Durant cette première période, vérifiez le niveau de sel lorsque le voyant bleu clignote. Si le niveau de sel dans le réservoir est à 1 ou plus, laissez le système fonctionner. Assurez-vous de réinitialiser votre indicateur de niveau de sel chaque fois que vous ajoutez du sel.

DÉMARRAGE D'UNE RECHARGE

Pressez la touche **RECHARGE** et maintenez la pression durant trois secondes jusqu'à voir « **RECHARGE NOW** » (recharger maintenant) commencer à clignoter indiquant le début d'une recharge. Cette recharge introduit l'eau de Javel de désinfection ou la saumure dans et à travers l'adoucisseur d'eau. Tout air résiduel dans l'adoucisseur est expulsé vers le drain. Pendant cette période, vérifiez périodiquement l'absence de fuites.

REMARQUE : Comme pour tout système d'eau, des fuites peuvent survenir. Les fuites ne sont pas toujours apparentes sur le coup. Revérifiez 24 heures après la fin du premier cycle de recharge.

Communication avec l'appareil : WiFi Connect

(pour les clients aux États-Unis, ses Territoires, et au Canada)

- La communication Wi-Fi exige la connectivité Wi-Fi et l'alimentation électrique à l'emplacement de l'adoucisseur. La connexion de l'application ne fonctionnera pas si l'un de ces services est défaillant. (Vérifiez les deux services avant l'installation complète du système.)
- L'application requiert un téléphone intelligent avec service pour recevoir les notifications.
- L'application procure une alerte, mais l'utilisateur doit répondre pour fermer l'eau.
- Le système n'est pas en mesure de détecter toutes les petites fuites et ne peut pas couper les fuites entre le système et le robinet de sectionnement.

Si votre adoucisseur d'eau est compatible avec la connectivité Wi-Fi de GE Appliances, une carte de communication Wi-Fi est intégrée dans votre produit, lui permettant de communiquer avec votre téléphone intelligent pour surveillance, contrôle et notification à distance.

Pour connecter votre adoucisseur, veuillez visiter GEAppliances.com/connect pour apprendre comment connecter votre électroménager à votre téléphone intelligent en utilisant l'étiquette située à l'intérieur de votre adoucisseur et connaître les fonctions de l'application telles que : 1) la surveillance de la consommation d'eau 2) l'alerte de faible niveau de sel 3) les alertes de circulation d'eau ininterrompue 4) le contrôle à distance du robinet de sectionnement.

Connectivité Wi-Fi : Pour de l'assistance concernant la connectivité en réseau de votre électroménager, veuillez appeler GE Appliances en composant le (800) 220-6899.

Connected Appliance Information	
FCC: ZKJ-WCATA001	Network: GE_XXXXXX_XXXX
IC: 10229A-WCATA001	Password: XXXXXXXX
MAC ID: XX-XX-XX-XX-XX-XX	PT. NO. 229C6272G001-0

Sample Label

Cet appareil est conforme à la Partie 15 des Règlements de la FCC. Son utilisation est soumise aux deux conditions suivantes :

1. Cet appareil ne peut pas provoquer des interférences nuisibles, et
2. Cet appareil doit accepter toutes interférences reçues, y compris des interférences pouvant provoquer des opérations non souhaitées. Cet équipement a été éprouvé et est conforme aux limites d'un appareil numérique de Classe B, en accord avec la Partie 15 des Règlements de la FCC. Ces limites ont été conçues pour offrir une protection raisonnable contre des brouillages dans une installation résidentielle. Cet équipement produit, emploie et peut émettre des fréquences radio et peut provoquer des parasites aux communications radio s'il n'est pas installé et utilisé conformément aux instructions. Toutefois, il n'y a aucune garantie qu'aucune interférence ne se produira dans une installation particulière. Si cet équipement provoque des interférences à la réception de chaînes de radio ou de télévision, ce qui peut être déterminé en mettant l'équipement sous tension et hors tension, l'utilisateur est encouragé à essayer de corriger ces interférences avec l'une ou plusieurs des mesures suivantes :

- Réorienter ou repositionner l'antenne de réception.
- Augmenter la distance séparant l'équipement et le récepteur.
- Brancher l'équipement sur une prise sur un circuit différent de celui auquel le récepteur est branché.
- Consulter le vendeur ou un technicien radio/TV expérimenté pour obtenir de l'aide.

Étiquetage : Les changements ou les modifications à cet appareil non expressément approuvés par le fabricant peuvent annuler le droit de l'utilisateur de faire fonctionner l'appareil.

Programmation de l'adoucisseur d'eau

RÉGLAGE DE COMMANDES FACULTATIF

La commande affiche de nombreuses options et fonctions.

ALARME DE FAIBLE NIVEAU DE SEL

Lorsqu'elle est activée, la fonction **LOW SALT**

ALARM (alarme de faible niveau de sel) émettra des bips lorsque la valeur de

DAYS TO EMPTY est de

15 jours ou moins. Pour changer ce réglage, maintenez une pression sur **MODE/SET** durant 3 secondes ou jusqu'à entendre un bip. Le mot **ON** (marche, réglage d'usine) ou **OFF** (arrêt) clignotera sur l'écran. Pressez la flèche du haut ▲ ou du bas ▼ pour basculer cette option entre **ON** ou **OFF**. Pressez la touche **MODE/SET** pour accepter, et l'écran passera à la fonction **SALT EFFICIENCY** (efficacité du sel).



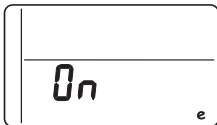
SALT EFFICIENCY (EFFICACITÉ DU SEL)

Lorsque la fonction **SALT EFFICIENCY** (efficacité du sel) est

activée (**ON**), l'appareil fonctionnera à une efficacité de 4000 grains de dureté retirés par livre

de sel. Ce mode de fonctionnement est le plus économe pour la consommation du sel car le système se rechargera moins souvent, avec moins de sel. Mettre la fonction à **OFF** (arrêt) augmentera le temps entre les cycles de recharge, ce qui procurera la consommation de l'eau la plus économe, mais avec plus de sel. La différence entre ces deux cycles dépend grandement de l'utilisation de l'eau et de sa dureté dans une installation particulière.

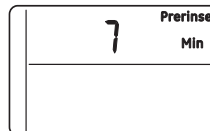
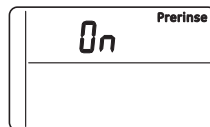
Pour modifier la valeur, pressez la flèche du haut ▲ ou du bas ▼ pour basculer cette option entre **ON** ou **OFF**. Pressez la touche **MODE/SET** pour accepter, et l'écran passera à la fonction **PRERINSE ON/OFF** (prérinçage activée/ arrêt).



PRERINSE (PRÉRINÇAGE)

Si votre eau contient des sédiments, la fonction de prérinçage va les retirer du lit de résine avant la régénération.

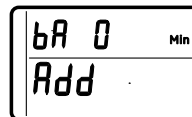
Pressez la touche **MODE/SET** pour accepter, et l'écran passera à la fonction **SET PRERINSE TIME** (régler le temps de pré-rinçage). Dans cet écran, vous pouvez régler les minutes de prérinçage en pressant la flèche du haut ▲ ou du bas ▼. Pressez la touche **MODE/SET** pour accepter, et l'écran passera à la fonction **BACKWASH TIME** (temps de lavage à rebours).



LAVAGE À REBOURS ET RINÇAGE RAPIDE

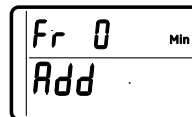
Si votre eau goûte le sel après la régénération, vous devrez peut-être augmenter la durée du lavage à rebours et du rinçage rapide. Le nombre de cycles pendant la régénération est déterminé par la commande électronique de l'adoucisseur. Cependant, vous pouvez augmenter la durée du lavage à rebours et du rinçage rapide. Vous pouvez ajouter jusqu'à 10 minutes.

Pour le lavage à rebours, vous pouvez ajouter jusqu'à 10 minutes par unités de 1 minute en pressant la flèche du haut ▲ ou soustraire les minutes en pressant le bouton du bas ▼.



Pour le rinçage rapide, pressez **MODE/SET** et l'affichage passe à l'écran d'augmentation de la durée du rinçage rapide. Vous

pouvez ajouter jusqu'à 10 minutes par unités de 1 minute en pressant la flèche du haut ▲ ou soustraire les minutes en pressant le bouton du bas ▼. Pressez le bouton **MODE/SET** pour accepter et l'affichage passera à l'écran normal.



Programmation de l'adoucisseur d'eau

FONCTION : AUTRE AFFICHAGE D'INFORMATIONS

Ces modèles ont l'option d'afficher différentes informations sur l'écran normal. Vous pouvez afficher l'une des informations suivantes dans la moitié supérieure de l'écran en pressant sur la flèche du haut ▲ ou du bas ▼ :

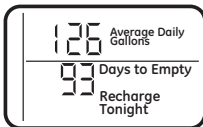
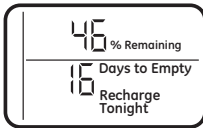
• **CAPACITÉ RESTANTE** – Il s'agit du pourcentage de la capacité d'adoucissement d'eau restante.

Immédiatement après la régénération, 100% apparaît. À mesure que l'eau est consommée, le pourcentage diminue jusqu'à la prochaine régénération. Pendant la régénération, le pourcentage augmente.

Lorsque l'heure actuelle est affichée, pressez la flèche du bas ▼ % Remaining (pourcentage restant) apparaîtra sur l'écran. La valeur affichée se situe entre 0 et 100 pour cent. Cette valeur est basée sur la capacité de traitement courante. Une pression sur le bouton du haut ▲ fait passer l'écran à l'affichage précédent.

• **CONSUMMATION QUOTIDIENNE MOYENNE EN GALLONS** – La valeur

affichée est le nombre de gallons d'eau utilisés en moyenne par votre ménage à chaque jour durant les sept derniers jours. Pressez la flèche du bas ▼ de nouveau pour afficher cette moyenne quotidienne. **Average Daily Gallons** (consommation quotidienne en moyenne) s'affiche sur l'écran. Cette valeur est mise à jour chaque soir à minuit. Une pression sur le bouton du haut ▲ fera passer l'écran à l'affichage précédent.



• DÉBIT EN GAL/MIN

– Lorsque vous utilisez de l'eau douce, cet affichage indique le débit de l'eau qui circule à travers l'adoucisseur en gallons par minute. Zéro s'affiche si l'eau ne circule pas dans l'adoucisseur.



Pressez la flèche du bas ▼ de nouveau pour afficher le débit. **Gallons/Min** s'affiche sur l'écran. Cette valeur est mise à jour chaque demi-seconde. Une pression sur le bouton du haut ▲ fera passer l'écran à l'affichage précédent. Une pression sur le bouton du bas ▼ fera passer l'écran à l'affichage de l'heure actuelle.

RESTAURATION DES RÉGLAGES D'USINE

Pour rétablir tous les valeurs pré-réglées à l'usine (heure, dureté, etc.) :

1. Pressez la touche **MODE/SET** et maintenez la pression jusqu'à ce que l'écran change deux fois pour afficher le code du mode de clignotement.



2. Pressez la touche fléchée du haut <icon> pour afficher un « SoS » clignotant.
3. Pressez la touche **MODE/SET** et la commande va redémarrer.
4. Réglez l'heure actuelle, la dureté, etc., selon les instructions de la section Programmation de l'adoucisseur d'eau.

Programmation de l'adoucisseur d'eau

MÉMOIRE DE PANNE DE COURANT

Si l'alimentation électrique à l'adoucisseur d'eau est interrompue, la mémoire installée dans le circuit de la minuterie conservera tous les réglages durant 24 heures. Lorsque le courant est coupé, l'écran est vierge et l'adoucisseur d'eau ne se régénère pas. Voici ce qu'il faut faire lorsque le courant est rétabli :

Réglez l'heure actuelle seulement si l'écran clignote. Les options **HARDNESS** (dureté) et **RECHARGE TIME** (durée de recharge) n'ont pas besoin d'être réglées sauf si une modification est souhaitée. Même si l'heure n'est pas exacte après une longue panne de courant, l'adoucisseur fonctionne pour maintenir votre eau douce. Il se peut cependant que les régénérations surviennent au mauvais moment de la journée jusqu'à ce que vous corrigiez l'heure du jour.

REMARQUE : Si l'adoucisseur était en cours de régénération au moment de la panne, il terminera maintenant son cycle.

VOYANT BLEU

Un voyant bleu régulier indique que l'appareil fonctionne correctement. Ce voyant clignote lorsque l'appareil demande l'attention de l'utilisateur.

- Le voyant clignote aussi lorsque le courant est coupé. Vérifiez le réglage de le **PRESENT TIME**.
- Si le voyant clignote ainsi que les mots **DAYS TO EMPTY**, vérifiez le niveau de sel et ajoutez-en au besoin.
- Le voyant qui clignote et le mot « **Err** » qui s'affiche indiquent un problème électrique dans le système.

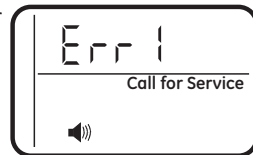
ALARME DE FAIBLE NIVEAU DE SEL

Lorsque **DAYS TO EMPTY** passe en dessous de 15, le voyant bleu et **DAYS TO EMPTY** clignotent une fois par seconde et l'alarme émet des bips tous les 30 secondes (de 8:00 AM à 8:00 PM) pour signaler que le niveau de sel de l'appareil est bas. Pressez n'importe quel touche pour faire cesser l'alarme.

Le voyant bleu et **DAYS TO EMPTY** vont continuer de clignoter. Une fois le sel ajouté dans le réservoir de saumure et le **NIVEAU DE SEL** réinitialisé, **DAYS TO EMPTY** sera rétabli.

SIGNAUX D'ERREUR

Lorsqu'un code d'erreur est détecté, le voyant bleu clignote 4 fois chaque seconde, le mot « **Err** » clignote et l'alarme émet des bips chaque 30 secondes (de 8:00 AM à 8:00 PM) pour signaler que l'adoucisseur exige une réparation. L'alarme cessera avec n'importe quelle pression de touche, mais le voyant bleu et l'écran continueront de clignoter.



Débranchez brièvement le transformateur de la prise murale puis rebranchez-le. L'affichage normale réapparaîtra alors. Le moteur peut fonctionner durant plusieurs minutes à mesure que l'appareil se réinitialise. Si le problème n'est pas corrigé, le code d'erreur réapparaîtra au bout de 8 minutes. Si l'erreur 6, 7 ou 8 apparaît, vous pouvez l'effacer en pressant le bouton Recharge durant 5 secondes. Voyez la section Avant de faire un appel de service pour vous guider dans le dépannage de l'adoucisseur d'eau.

Entretien et nettoyage

RÉGLAGE DE LA DURETÉ DE VOTRE EAU

Le bouton de réglage du mélange (Figure 15) vous permet de régler finement la dureté de l'eau traitée qui quitte votre adoucisseur d'eau. Si vous désirez une eau légèrement plus dure que celle normalement livrée par votre adoucisseur, le bouton de réglage du mélange peut détourner une petite quantité d'eau dure pour la mélanger à l'eau douce qui pénètre dans votre maison. La quantité d'eau détournée est contrôlée par le bouton de réglage du mélange sur le capuchon d'extrémité de la tige du robinet.

REMARQUE : Pour obtenir le plein rendement de votre adoucisseur d'eau, laissez le robinet de mélange dans la position fermée de l'usine.

Pour régler la dureté de l'eau :

1. Tenez la poignée de dérivation pour empêcher la tige du robinet de tourner (voir la Figure 16). Desserrez l'écrou hexagonal sur le bouton de réglage du mélange en tournant l'écrou dans le sens contraire des aiguilles (voir la Figure 16).

2. **POUR AUGMENTER LA DURETÉ :** Avec la dérivation en position de service (voir Figure 16), tenez la poignée pour empêcher la tige du robinet de tourner, puis tournez le bouton de réglage du mélange dans le sens contraire des aiguilles, jusqu'à 2 tours depuis la position fermée. Nous recommandons de régler d'un quart de tour à la fois sur une période de plusieurs semaines jusqu'à ce que la dureté désirée soit atteinte. **REMARQUE :** Après un réglage avec le bouton de mélange, il peut s'écouler plusieurs jours avant qu'un changement de la dureté de l'eau ne soit perceptible. Ce délai s'explique par la grande quantité d'eau déjà traitée qui se trouve dans la tuyauterie et le chauffe-eau et qu'il faut remplacer. Faites analyser l'eau pour déterminer sa dureté actuelle.

3. **POUR AUGMENTER LA DURETÉ :** Avec la dérivation en position de service (voir Figure 16), tenez la poignée pour empêcher la tige du robinet de tourner, puis tournez le bouton de réglage du mélange dans le sens des aiguilles. Lorsque le bouton arrivera au bout, l'eau dure ne sera plus ajoutée à l'eau douce.

4. Une fois la dureté d'eau atteinte, serrez l'écrou hexagonal (voir Figure 16) dans le sens des aiguilles jusqu'à ce qu'il touche la tige de dérivation.

REMARQUE : Afin de satisfaire les spécifications de rendement de l'adoucisseur d'eau et de réduction du barium et du radium, le bouton de réglage de la dureté doit être maintenu à la position OFF (arrêt). La position off est obtenue lorsque le bouton de réglage du mélange est tourné dans le sens des aiguilles jusqu'au bout.

POSITION DE SERVICE (Fonctionnement normal de l'adoucisseur)

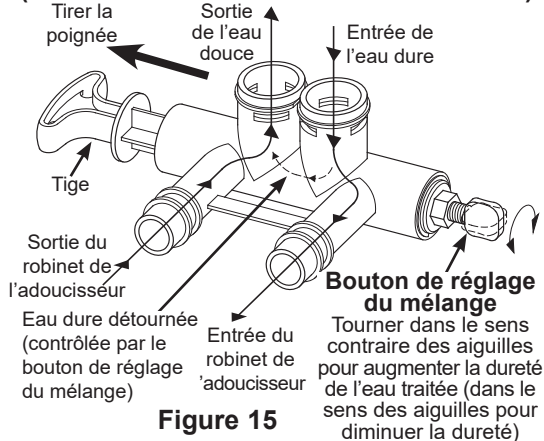


Figure 15

POSITION DE DÉRIVATION

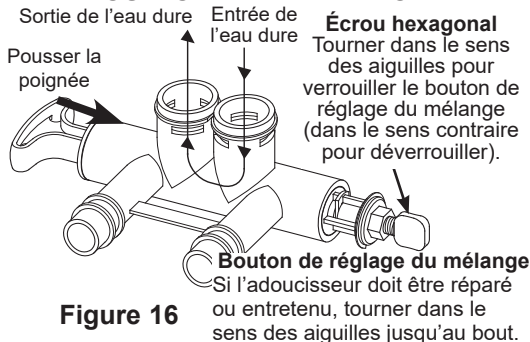


Figure 16

⚠ ATTENTION

Si l'adoucisseur d'eau doit être réparé, entretenu ou déconnecté du robinet de dérivation, il faut tourner le bouton de réglage du mélange jusqu'au bout dans le sens des aiguilles pour fermer la voie de détournement et empêcher l'eau de fuir à l'entrée du robinet de la dérivation.

Entretien et nettoyage

VÉRIFICATION DU NIVEAU DE SEL ET REMPLISSAGE

La saumure (sel dissous dans l'eau) est nécessaire pour chaque recharge. L'eau pour produire la saumure est mesurée dans la zone de stockage de sel par le robinet et la commande de l'adoucisseur d'eau. **Vous devez cependant alimenter le réservoir en sel**

AJOUT DE SEL

Levez le couvercle de l'orifice de sel et vérifiez le niveau de sel fréquemment. Si l'adoucisseur d'eau utilise tout le sel avant votre remplissage, votre maison recevra de l'eau dure. En attendant que vous déterminiez une routine de remplissage, vérifiez le sel toutes les deux ou trois semaines. Ajoutez-en toujours si le réservoir baisse à moins du 1/4. Assurez-vous que le capuchon du puits de saumure est en place.

REMARQUE : Si vous utilisez du chlorure de potassium (KCl), ne remplissez pas au-dessus du niveau 4 sur l'échelle du puits de saumure.

REMARQUE : Dans les régions humides, il est préférable de garder le niveau de sel plus bas et de remplir plus souvent afin de prévenir les « ponts de sel ».

Types de sels recommandés : Sel en pépites, en pastilles ou gros sel marin à moins de 1 % d'impuretés.

Sels non recommandé : Sel gemme (élevé en impuretés), en bloc, de table granulé, déglacant, servant à préparer la crème glacée, etc.

ÉLIMINATION DU FER DANS LE SYSTÈME D'ADOUCCISSEMENT D'EAU

Votre système d'adoucissement d'eau élimine les minéraux responsables de la dureté (calcium et magnésium). Il peut aussi contrôler (voir la section Spécifications et efficacité déclarée) le fer « d'eau claire » (ferreux). L'eau du robinet qui contient du fer ferreux est claire lorsqu'elle versée dans un verre. Au bout de 15 à 30 minutes, l'eau devient trouble ou prend une teinte de rouille. Un système d'adoucissement d'eau **ne** retire aucun fer qui rend l'eau trouble ou de teinte rouille à la sortie du robinet (nommé fer d'eau rouge). Pour éliminer le fer d'eau rouge, ou l'excédent de fer d'eau claire, un filtre pour fer ou un autre équipement est nécessaire.

GE Appliances recommande d'utiliser le produit **Super Iron Out®** pour nettoyer le lit de résine si votre teneur en fer est élevée. Utilisez **Super Iron Out®** avec chaque 40 lb (18 kg) de sel pour l'entretien préventif contre l'accumulation de rouille. Nettoyez le lit de résine tous les six mois ou plus souvent si du fer apparaît dans l'eau douce entre les nettoyages.

IMPORTANT : Il est important de mélanger le nettoyant de résine avec l'eau (suivez les instructions du fabricant), versez-le dans le puits de saumure (voir Figure 9) et rechargez l'adoucisseur immédiatement. Ne versez pas le nettoyant de résine avec le sel car il ne sera pas aussi efficace; il peut aussi endommager l'adoucisseur s'il est laissé dans le réservoir de saumure durant une longue période en raison des gaz corrosifs qui se forment.

⚠ ATTENTION

Sels

d'adoucisseur d'eau avec additifs pour extraire le fer :

Certains sels contiennent un additif pour aider l'adoucissement d'eau à extraire le fer de l'alimentation d'eau. Bien que cet additif puisse contribuer à garder propre la résine de l'adoucisseur, il peut aussi dégager des vapeurs corrosives qui réduisent la durée de vie des pièces de l'appareil.

Entretien périodique

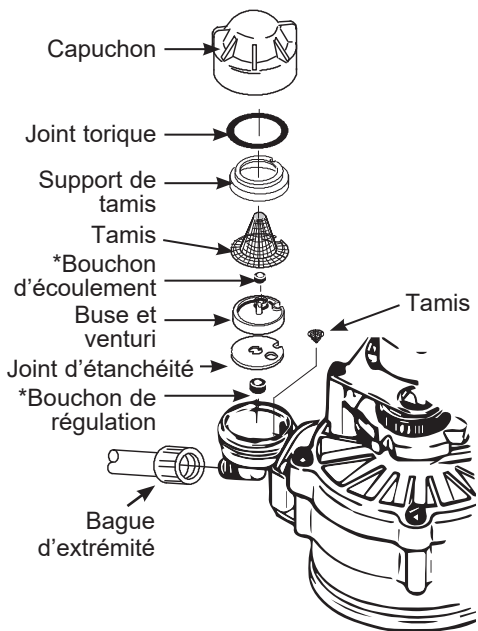
NETTOYAGE DE L'ASSEMBLAGE BUSE-VENTURI

Une buse et un venturi propres sont nécessaires pour le bon fonctionnement de l'adoucisseur d'eau. Ce petit assemblage effectue la succion qui déplace la saumure de la zone de stockage de sel jusque dans le réservoir de résine durant la recharge. S'il devient obstrué par du sable, de la saleté, etc., l'adoucisseur ne fonctionnera pas et vous recevrez de l'eau dure.

Pour accéder à la buse et au venturi, retirez le couvercle supérieur de l'adoucisseur d'eau. Assurez-vous que l'adoucisseur est dans le cycle de service (aucune pression d'eau à la buse et au venturi). Tout en tenant le boîtier de la buse et du venturi d'une main, retirez le capuchon. Soulevez le support de tamis et le tamis, puis la buse et le venturi. Lavez et rincez les pièces à l'eau modérément chaude jusqu'à ce qu'elles soient propres. Au besoin, utilisez une petite brosse pour retirer le fer ou la saleté. Vérifiez et nettoyez aussi le joint d'étanchéité.

REMARQUE : Certains modèles sont dotés d'une petite bouchon d'écoulement situé dans la buse et le venturi et/ou d'un petit tamis en forme de cône dans le boîtier. Assurez-vous de vérifier et nettoyer ces pièces si votre modèle en est doté.

Remplacez toutes les pièces avec soin dans le bon ordre. Lubrifiez légèrement le joint torique avec de la graisse au silicone ou de la gelée de pétrole et remettez-le en place. Reposez le capuchon et vissez-le à la main seulement. **Ne serrez pas le capuchon excessivement.**



IMPORTANT: Assurez-vous que les petits trous dans le joint d'étanchéité sont alignés directement sur les petits trous dans le boîtier de la buse et du venturi.

*Installer avec le côté numéroté vers le haut, côté concave vers le bas.

Entretien périodique

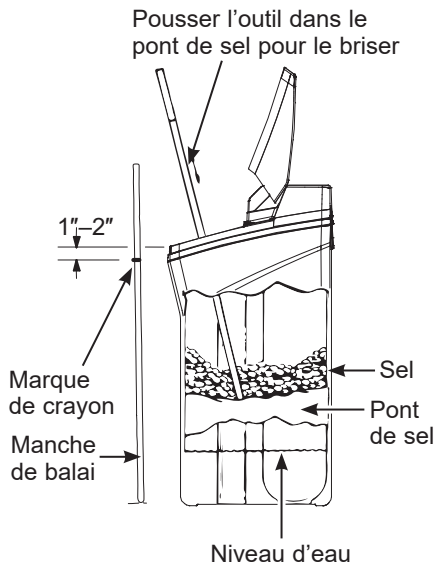
BRIS D'UN PONT DE SEL

Il arrive parfois qu'une croûte dure ou un pont de sel se forme dans la zone de stockage du sel. Cela est généralement causé par une humidité élevée ou l'utilisation du mauvais type de sel. Les ponts de sel provoquent la formation d'un espace entre l'eau et le sel. Par conséquent le sel ne se dissout pas dans l'eau pour former la saumure.

Si le réservoir de saumure est rempli de sel, il est difficile de savoir si un pont de sel s'est formé. Le sel est détaché sur le dessus mais le pont se trouve en dessous. Voici la meilleure façon de vérifier la présence d'un pont de sel.

Le sel doit être détaché jusqu'au fond du réservoir. Prenez un manche de balai ou un outil semblable et poussez-le avec précaution dans le sel en un mouvement de bas en haut. Si l'outil frappe une matière dure, il s'agit probablement d'un pont de sel (assurez-vous qu'il ne s'agit pas d'une paroi ou du fond du réservoir). Brisez prudemment le pont avec l'outil. Ne pilez pas contre les parois du réservoir. Pour faciliter la dissolution du pont de sel, versez un gallon (4 litres) d'eau modérément chaude dans le réservoir.

Si le mauvais type de sel est à l'origine du pont, retirez-le. Remplissez ensuite le réservoir avec du sel en pépites ou pastilles seulement. Dans les régions humides, il est préférable de mettre moins de sel mais plus souvent afin de prévenir la formation de ponts.



Avant de faire un appel de service

Conseils de dépannage

Gagnez du temps et économisez de l'argent! Examinez d'abord le tableau qui suit, vous pourriez vous éviter un appel de service.

PAS D'EAU DOUCE – PROBLÈMES LES PLUS COMMUNS :

Vérifiez les éléments suivants avant de faire un appel de service :

- Pas suffisamment de sel, 1/3 plein au minimum.
- Robinet de dérivation dans la position « Bypass » (dérivation) — La poignée doit être dans la position TIRÉE (service).
- Le réglage de dureté est trop bas. Vérifiez le réglage de dureté et corrigez-le. Vérifiez la dureté de l'alimentation d'eau auprès de votre fournisseur d'eau, par une analyse de l'eau.
- Pont de sel : le sel se solidifie au-dessus du niveau d'eau de sorte que la saumure n'est pas en contact avec le sel. Voyez la section Bris du pont de sel.

Problème	Cause probable	Correctifs
Pas d'eau douce	Le robinet où l'eau a été prise n'est pas raccordé à l'eau douce REMARQUE : Assurez-vous que l'échantillon ne vient pas d'un robinet qui mélange eau douce et eau dure. Par exemple, un robinet de cuisine à poignée simple si le côté eau froide est raccordé à l'eau dure.	<ul style="list-style-type: none">• Pour conserver le sel, l'installateur a peut-être isolé certaines installations (robinets extérieurs, toilettes, etc.) de l'eau douce. À partir de la sortie de l'adoucisseur d'eau, tracez le trajet de l'eau dans la plomberie de la maison. Si l'eau douce ne passe pas par un robinet ou une installation où elle devrait, consultez un plombier.
	Pa de sel dans le réservoir de saumure ou pont de sel	<ul style="list-style-type: none">• Vérifiez la présence d'un pont de sel ou, s'il est vide, remplissez le réservoir avec du sel recommandé. Pressez (3 secondes) la touche RECHARGE pour démarrer une recharge immédiate et restaurer l'alimentation d'eau douce.
	Le transformateur externe n'est pas branché dans une prise murale ou le cordon de l'adoucisseur n'est pas connecté. Un fusible est grillé ou un disjoncteur est déclenché sur le circuit de la prise électrique. Un interrupteur coupe (OFF) souvent le circuit de la prise électrique	<ul style="list-style-type: none">• Vérifiez s'il y a interruption de l'alimentation électrique à l'adoucisseur d'eau causée par l'une de ces conditions et corrigez s'il y a lieu. Avec l'alimentation électrique rétablie, observez l'affichage sur l'écran et lisez la section Programmation de l'adoucisseur d'eau. REMARQUE : La prise électrique destinée à l'adoucisseur doit toujours être sous tension sans risque d'être inactivée par mégarde.
	Le robinet de dérivation manuel est dans la position de dérivation	<ul style="list-style-type: none">• Assurez-vous que la tige du robinet de dérivation est dans la bonne position, poignée dans la position TIRÉE (OUT).
	Robinet de mélange dans la position ouverte	<ul style="list-style-type: none">• Tournez le robinet de mélange dans le sens des aiguilles jusqu'à la position fermée.
	Le tuyau d'évacuation flexible est pincé, débranché, trop haut ou autrement restreint	<ul style="list-style-type: none">• Toute restriction du tuyau d'évacuation flexible peut nuire au bon fonctionnement de la buse et du venturi et réduire ou empêcher la saumure de circuler durant la recharge.
	Buse et venturi sales, mal assemblés ou endommagés	<ul style="list-style-type: none">• Reportez-vous à la section Nettoyage de l'assemblage buse-venturi. En absence de pression d'eau à l'adoucisseur, démontez l'assemblage buse-venturi. Inspectez, nettoyez et remettez en place correctement. Toute particule étrangère, rayure, ébréchure, etc. dans le passage peut nuire au fonctionnement. Assurez-vous que les trous dans le joint d'étanchéité sont alignés sur les trous dans le boîtier.

Avant de faire un appel de service

Problème	Cause probable	Correctifs
Eau dure par moments	Utilisation d'eau chaude pendant que l'adoucisseur d'eau se régénère	<ul style="list-style-type: none"> Évitez d'utiliser l'eau chaude lorsque l'adoucisseur se recharge car le chauffe-eau se remplira d'eau dure. Voyez la section Dérivation automatique de l'eau dure durant la recharge.
	Le réglage du numéro de DURETÉ est trop bas	<ul style="list-style-type: none"> Pressez la touche MODE/SET jusqu'à ce que la flèche pointe vers HARDNESS (dureté). Assurez-vous que numéro affiché est le même que la dureté actuelle (grains par gallon) de votre alimentation d'eau. Voyez la section Programmation de l'adoucisseur d'eau si une modification d'un réglage est nécessaire.
	Les grains de dureté de votre alimentation d'eau ont augmenté	<ul style="list-style-type: none"> La dureté de l'eau peut varier avec le temps, en particulier dans un puits d'eau. Pour vérifier, faites analyser votre eau par un laboratoire ou contactez votre fournisseur d'eau local. Corrigez le numéro de dureté au besoin.
L'eau semble glissante après l'installation de l'adoucisseur d'eau	Absence de minéraux « durs »	<ul style="list-style-type: none"> Cela est normal. La dureté de l'eau donne une sensation d'abrasion à laquelle vous avez été habitué. La sensation de glissement est celle de l'eau douce débarrassée des minéraux. Voyez la section Réglage de la dureté de votre eau.
L'adoucisseur d'eau n'utilise pas de sel	L'adoucisseur d'eau s'approvisionne « à la demande »	<ul style="list-style-type: none"> Il n'utilise pas beaucoup de sel pour se régénérer, très efficace.
	Possibilité d'un pont de sel	<ul style="list-style-type: none"> Voyez la section Bris d'un pont de sel.
	Possibilité d'obstruction de la buse ou du venturi	<ul style="list-style-type: none"> Voyez la section Nettoyage de l'assemblage buse-venturi.
L'eau est bleue après l'installation de l'adoucisseur	Eau acide dans une plomberie en cuivre	<ul style="list-style-type: none"> Faites analyser l'eau immédiatement.
L'adoucisseur d'eau ne se régénère pas	La turbine de mesurage est bloquée	<ul style="list-style-type: none"> Voyez la section Diagnostics électroniques lancés manuellement pour les procédures de dépannage. Faites un appel de service.
	Le fil de détection n'est pas branché dans la commande	<ul style="list-style-type: none"> Voyez la section Diagnostics électroniques lancés manuellement pour les procédures de dépannage. Faites un appel de service.
	Pas d'alimentation électrique à l'appareil	<ul style="list-style-type: none"> Vérifiez le disjoncteur ou les fusibles.
	Défectuosité mécanique	<ul style="list-style-type: none"> Faites un appel de service.
Opacité des articles en verre (lave-vaisselle automatique)	Combinaison d'eau douce et de trop de détergent	<ul style="list-style-type: none"> Cela est permanent et se nomme « attaque chimique ». Pour éviter ce phénomène, utilisez moins de détergent avec votre eau douce. Lavez la verrerie au cycle le plus court qui la rendra propre.

Avant de faire un appel de service

Problème	Cause probable	Correctifs
Niveau élevé ou excessif d'eau dans le réservoir de saumure	Le tuyau d'évacuation est pincé, débranché, trop haut ou autrement restreint	<ul style="list-style-type: none"> Un obstacle dans le tuyau d'évacuation peut nuire au bon fonctionnement de la buse et du venturi et réduire ou empêcher la saumure de circuler durant la recharge.
	Tuyaux d'évacuation raccordés ensemble	<ul style="list-style-type: none"> Séparez les tuyaux d'évacuation.
	Buse et venturi sales, mal assemblés ou endommagés	<ul style="list-style-type: none"> Reportez-vous à la section Nettoyage de l'assemblage buse-venturi. En absence de pression d'eau à l'adoucisseur, démontez l'assemblage buse-venturi. Inspectez, nettoyez et remettez en place correctement. Toute particule étrangère, rayure, ébréchure, etc. dans le passage peut nuire au fonctionnement. Assurez-vous que les trous dans le joint d'étanchéité sont alignés sur les trous dans le boîtier.
Goût salé ou teinte brune ou jaune après l'installation	L'appareil n'est pas désinfecté	<ul style="list-style-type: none"> Complétez les procédures de désinfection. À la fin du cycle de recharge (env. 2 heures), faites couler l'eau des robinets pour expulser l'eau salée.
	Faible pression d'eau	<p>Vérifiez la pression :</p> <ul style="list-style-type: none"> Hauteur d'évacuation 8 pi (2,4 m) ou moins : pression 20 psi minimum. Hauteur d'évacuation au-dessus de 8 pi (2,4 m) : pression 50 psi minimum.
	Tuyau d'évacuation restreint	<ul style="list-style-type: none"> Nettoyez et reconnectez le tuyau. Vérifiez la présence d'ébréchures dans le tuyaux d'évacuation.
L'eau a une teinte brune ou jaune	L'appareil est resté inactif durant un certain temps	<ul style="list-style-type: none"> Complétez les procédures de désinfection.
Des billes de résine sont présentes dans l'eau potable	Distributeur fracturé ou appareil raccordé à l'envers	<ul style="list-style-type: none"> Vérifiez que la plomberie d'entrée et de sortie de l'adoucisseur est correcte. Faites un appel de service.
Les sons que vous pourriez entendre	L'eau qui s'évacue de l'appareil	<ul style="list-style-type: none"> Cela est normal.
L'eau contient des bulles d'air et elle a un aspect trouble	Air dans le système après l'installation	<ul style="list-style-type: none"> Ce bruit cessera après une certaine période de fonctionnement
Le voyant bleu clignote lorsque l'appareil est mis sous tension	La commande doit être programmée (une panne de courant s'est produite)	<ul style="list-style-type: none"> Voyez la section Programmation de l'adoucisseur d'eau.
Si « DAYS TO EMPTY » clignote	Faible niveau de sel, moins de 15 jours	<ul style="list-style-type: none"> Remplissez le réservoir de sel. Réinitialisez le niveau de sel (réglage).

Avant de faire un appel de service

Problème	Cause probable	Correctifs
Des codes d'erreur 1, 3, 4, 5 s'affichent sur l'écran	Le filage dans la commande est peut-être lâche	<ul style="list-style-type: none">• Débranchez le transformateur externe.• Retirez le couvercle du panneau de commande, détachez les attaches sur les côtés.• Vérifiez que les connexions des fils sur la carte de commande ou l'interrupteur sont correctes et solides. Reconnectez de la bonne façon.• Réinstallez le couvercle de la commande.• Branchez le transformateur externe.• Attendez 8 minutes pour voir si le code d'erreur réapparaît.• Si le code d'erreur réapparaît, faites un appel de service.
Des codes d'erreur 6, 7, 8 s'affichent sur l'écran	Problème avec le robinet de sectionnement de l'eau	<ul style="list-style-type: none">• Débranchez le transformateur externe.• Remplacez le robinet de sectionnement de l'eau.• Vérifiez que les connexions des fils sur la carte de commande. Reconnectez de la bonne façon.• Réinstallez le couvercle de la commande.• Branchez le transformateur externe.<ul style="list-style-type: none">– Lorsque l'erreur 6, 7 ou 8 est affichée, maintenez une pression sur le bouton Recharge durant 5 secondes.• Attendez 2 minutes pour voir si le code d'erreur réapparaît.• Si le code d'erreur réapparaît, faites un appel de service.
Si « Err » s'affiche sur l'écran	Problème électrique dans le système	<ul style="list-style-type: none">• Faites un appel de service.

Dépannage avancé pour le service

DIAGNOSTICS ÉLECTRONIQUES AUTOMATIQUES

Cet adoucisseur d'eau est doté d'une fonction d'autodiagnostic du système électrique (à l'exception du courant d'entrée et/ou du compteur d'eau). L'adoucisseur surveille les composants et les circuits électroniques pour assurer un bon fonctionnement. Si une défectuosité survient, un codes d'erreur s'affiche sur l'écran.



Figure 17

Lorsqu'un code s'affiche, toutes les touches sont inopérables à l'exception de **MODE/SET**. La touche **MODE/SET** demeure active afin que le technicien puisse effectuer des diagnostics manuels avancés (voir ci-dessous) afin d'isoler davantage le problème.

Procédure pour effacer un code d'erreur de l'écran :

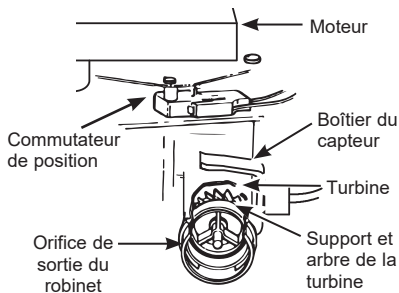
1. Débranchez le transformateur de la prise électrique.
2. Corrigez le problème.
3. Branchez le transformateur externe.
4. Attendez 8 minutes. Le code d'erreur réapparaîtra si le problème n'est pas corrigé.

DIAGNOSTICS ÉLECTRONIQUES LANCÉS MANUELLEMENT

Utilisez les procédures suivantes pour faire avancer l'adoucisseur à travers les cycles de régénération afin de vérifier son fonctionnement.

Soulevez le couvercle de l'orifice de sel, retirez le couvercle supérieur en libérant les languettes sur l'arrière et faites un mouvement de va-et-vient vers l'avant, pour observer le fonctionnement de la came et du commutateur pendant la rotation du robinet.

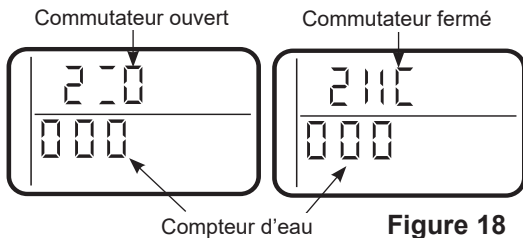
1. Maintenez une pression sur **MODE/SET** durant 3 secondes jusqu'à voir apparaître « Set low salt alarm » sur l'écran, pressez ensuite **MODE/SET** deux fois jusqu'à voir apparaître « 000 », puis relâchez, voir Figure 18.
2. Les 3 chiffres indiquent le fonctionnement du compteur d'eau comme suit : Si vous n'obtenez pas une lecture sur l'écran, avec robinet ouvert, tirez le capteur de l'orifice de sortie du robinet. Passez un petit aimant d'avant en arrière en face du capteur. Vous devriez obtenir une lecture sur l'écran. Si vous obtenez une lecture, fermez l'alimentation d'eau, déconnectez la plomberie d'entrée et de sortie et vérifiez si la turbine est libre de tourner.



Dépannage avancé pour le service

DIAGNOSTICS ÉLECTRONIQUES LANCÉS MANUELLEMENT (suite)

3. Les symboles sur l'écran indiquent le fonctionnement du commutateur de POSITION, voir Figure 18.



4. Utilisez la touche **RECHARGE** pour avancer le robinet manuellement dans chaque cycle et vérifiez le bon fonctionnement du commutateur. **REMARQUE** : Assurez-vous que l'eau est en contact avec le sel et non pas séparé par un pont de sel (voir la section Bris d'un pont de sel).

5. Cet écran de diagnostic offre aussi les informations suivantes qui peuvent s'avérer utiles pour plusieurs raisons. Ces informations sont retenues par l'ordinateur depuis la première mise sous tension de la commande électronique.

- Pressez la touche fléchée du haut ▲ pour afficher le nombre de jours depuis lequel la commande a été mise sous tension.
- Pressez la touche fléchée du bas ▼ pour afficher le nombre de régénérations lancées par la commande depuis que le numéro de code a été saisi.

6. Maintenez une pression sur **MODE/SET** jusqu'à ce que le code du modèle (H40 pour GXSHC40N) s'affiche sur l'écran (voir Figure 19). Ce code identifie le mode d'adoucissement. Si un code de modèle incorrect est affiché, l'adoucisseur fonctionnera avec des données de configuration incorrectes.



- Pour changer le numéro de code, pressez la touche fléchée du haut ▲ ou du bas ▼ jusqu'à ce que le bon code s'affiche.
- Pour revenir à l'affichage de l'heure actuelle, pressez **MODE/SET**.
- Pressez **MODE/SET** pour revenir à l'affichage de l'heure actuelle. Si le code a été changé, procédez à tous les réglages de minuterie.

REMARQUE : Si la commande est laissée dans un affichage de diagnostic ou un écran clignotant lors des réglages d'heure ou de dureté, l'heure actuelle revient automatiquement si l'on appuie sur une touche en moins de quatre minutes.

Dépannage avancé pour le service

Service : Vérification de recharge par avancement manuel

REMARQUE : L'écran doit afficher une heure stable (non clignotante).

1. Pressez la touche **RECHARGE** et maintenez-la durant trois secondes. Les mots **RECHARGE NOW** (recharger maintenant) clignotent alors que l'adoucisseur commence le cycle de remplissage de la recharge. Retirez le capuchon du puits de saumure et, à l'aide d'une lampe torche, observez l'eau qui pénètre dans le réservoir de saumure. Si l'eau ne pénètre pas dans le réservoir, recherchez une obstruction dans la buse, le venturi, le bouchon d'écoulement ou le tuyau de saumure. Voyez la section Entretien et nettoyage.

2. Après l'observation du remplissage, pressez la touche **RECHARGE** pour avancer l'adoucisseur à l'étape de saumurage. Un lent écoulement d'eau vers le drain va commencer. Vérifiez le tirage de saumure depuis le réservoir de saumure en pointant la lampe torche dans le puits de saumure et observez un abaissement sensible du niveau de liquide sur une longue période (15 à 20 minutes).

REMARQUE : Assurez-vous qu'un pont de sel n'empêche pas l'eau d'entrer en contact avec le sel. Voyez la section Entretien et nettoyage.

Si l'adoucisseur ne tire pas de saumure, vérifiez :

- Une buse et/ou un venturi sale ou défectueux.
- Un joint d'étanchéité de buse ou de venturi défectueux.
- Une buse et un venturi incorrectement placés sur le joint d'étanchéité.
- D'autres défauts du robinet intérieur (joint du rotor, rotor et disque, rondelle ondulée, etc.).
- Évacuation obstruée (vérifiez le raccord et le tuyau d'évacuation).

REMARQUE : Si la pression du système d'eau est basse, un tuyau d'évacuation élevé peut causer une contrepression qui arrête le tirage de saumure.

3. À nouveau, pressez **RECHARGE** pour avancer l'adoucisseur à l'étape de lavage à rebours. Vérifiez la présence d'un écoulement rapide d'eau dans le tuyau d'évacuation. Un écoulement faible indique l'obstruction du distributeur supérieur, du bouchon d'écoulement à rebours ou du tuyau d'évacuation.
4. Pressez **RECHARGE** pour avancer l'adoucisseur à l'étape de rinçage rapide. Encore une fois, recherchez un écoulement d'évacuation rapide. Laissez l'adoucisseur d'eau rincer durant quelques minutes afin d'expulser toute saumure résiduelle dans le réservoir de résine provenant du test du cycle de saumurage.
5. Pour remettre l'adoucisseur en mode de service, pressez la touche **RECHARGE**.

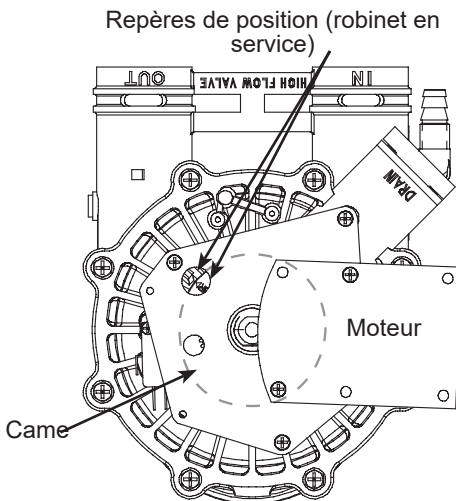
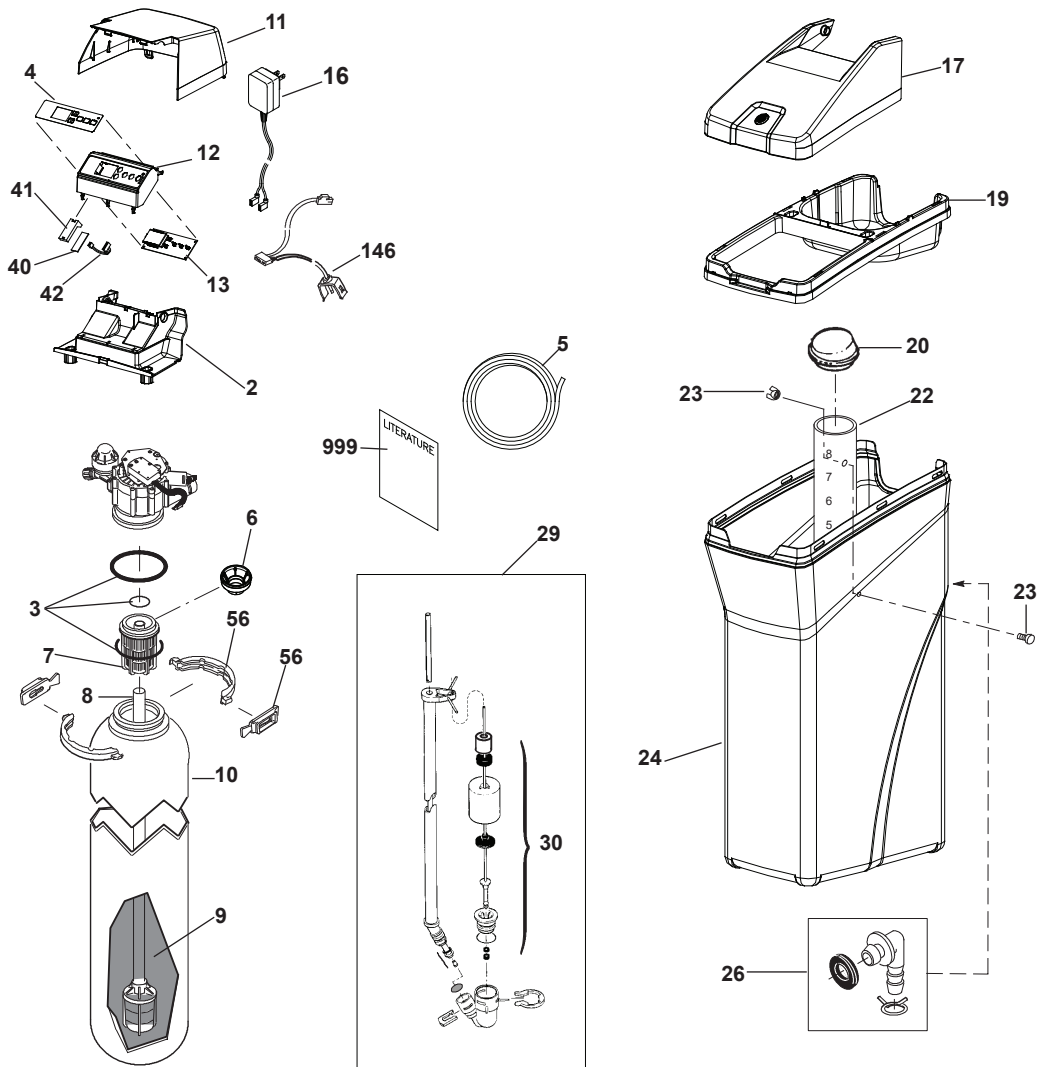


Figure 20

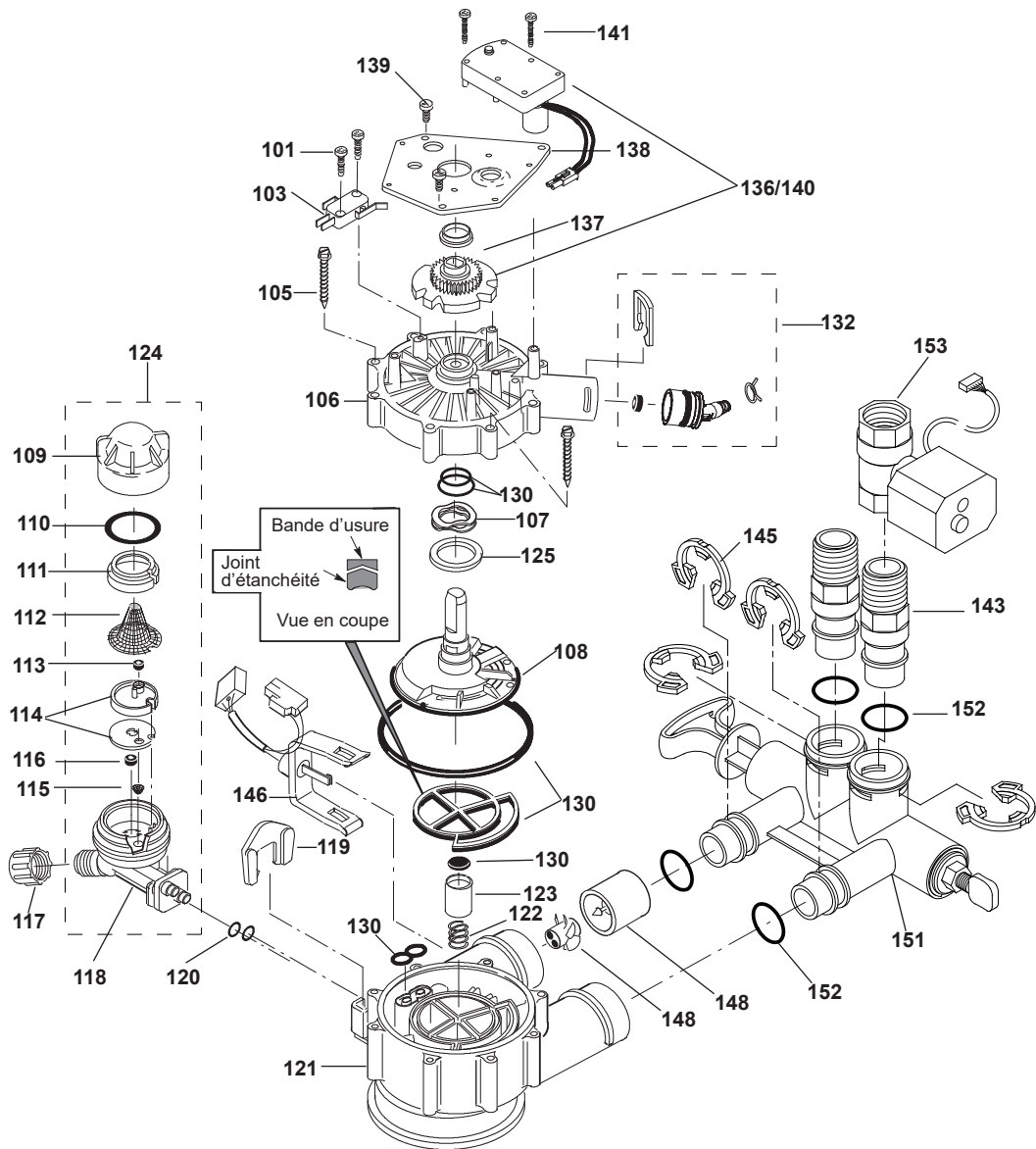
Positions du robinet :

Position	Fonction
S	Service
F	Remplissage
BR	Remplissage de saumure
BW	Lavage à rebours
R	Rinçage

Vue éclatée/Nomenclature des pièces



Vue éclatée/Nomenclature des pièces



Vue éclatée/Nomenclature des pièces

GXSHC40N

NO RÉF.	GEA NO PIÈCE	DESCRIPTION DES PIÈCES	(01)
0002	WS31X10051	COUVERCLE ARRIÈRE, ÉLECTRONIQUE	1
0003	WS35X10001	ENSEMBLE DE JOINTS TORIQUES	1
0004	WS35X21986	DÉCALCOMANIE, PLAQUE D'AFFICHAGE	1
0005	WS07X10004	TUYAU FLEXIBLE, ÉVACUATION, 20 PI (6 M)	1
0006	WS31X10044	ÉCRAN DE FILTRE	1
0007	WS14X10002	DISTRIBUTEUR, SUPÉRIEUR	1
0008	WS14X10005	DISTRIBUTEUR, INFÉRIEUR	1
0009	WS01X10002	RÉSINE, 1 PI3	1
0010	WS32X10011	RÉSERVOIR, RÉSINE, 9 X 40	1
0011	WS31X10052	COUVERCLE, SUPÉRIEUR	1
0012	WS34X10021	MODULE D'AFFICHAGE	1
0013	WS35X21984	KIT CARTE DE COMMANDE PRINCIPALE	1
0016	WS26X22083	TRANSFORMATEUR EXTERNE AVEC CORDON	1
0017	WS31X10053	COUVERCLE, ORIFICE DE SEL, AVEC ÉTIQUETTE	1
0019	WS33X21987	MONTURE	1
0020	WS33X10024	CAPUCHON, PUIITS DE SAUMURE	1
0022	WS34X10025	PUIITS DE SAUMURE	1
0023	WS02X10088	VISSERIE, RÉSERVOIR DE SAUMURE	1
0024	WS32X10032	RÉSERVOIR, SAUMURE	1
0026	WS22X10063	ADAPTATEUR DE TROP-PLEIN	1
0029	WS15X10077	ASSEMBLAGE DU ROBINET DE SAUMURE	1
0030	WS35X10063	FLOTTEUR, TIGE ET GUIDE	1
0040	WS35X21981	KIT DE MODULE WIFI	1
0041	WS01X21982	SUPPORT, MODULE WIFI	1
0042	WS21X21983	CABLE ASM., MODULE WIFI	1
0056	WS28X10078	BRIDE DU COLLET DU RÉSERVOIR	1
0101	WS02X10023	VIS, # 4 - 24 X 3/4"	2
0103	WS21X10003	COMMUTATEUR	1
0105	WS02X10024	VIS, # 10 - 2-5/8"	8
0106	WS31X10013	COUVERCLE, ROBINET	1
0107	WS03X10034	RONDELLE, ONDULÉE	1
0108	WS26X10010	ASSEMBLAGE DU ROTOR ET DU DISQUE	1
0109	WS19X10010	CAPUCHON	1
0110	WS03X10011	JOINT, TORIQUE 1.125 X 1.37	1

Vue éclatée/Nomenclature des pièces

GXSHC40N

NO RÉF.	GEA NO PIÈCE	DESCRIPTION DES PIÈCES	(01)
0111	WS19X10005	SUPPORT, TAMIS	1
0112	WS03X10013	TAMIS	1
0113	WS22X10036	BOUCHON D'ÉCOULEMENT, 0.15 GAL/MIN	1
0114	WS08X10008	JOINT D'ÉTANCHÉITÉ, BUSE-VENTURI	1
0115	WS03X10073	TAMIS, CÔNE	1
0116	WS22X10021	BOUCHON D'ÉCOULEMENT, REMPLISSAGE 0.30 GAL/MIN	1
0117	WS03X10017	BAGUE-ÉCROU	1
0118	WS15X10034	CORPS DU DISPOSITIF BUSE-VENTURI	1
0119	WS03X10018	PLAQUE DE RETENUE	1
0120	WS03X10019	JOINT, TORIQUE, 1/4" X 3/8"	2
0121	WS15X10025	CORPS, ROBINET	1
0122	WS03X10020	RESSORT	1
0123	WS22X10029	BOUCHON, JOINT D'ÉTANCHÉITÉ D'ÉVACUATION	1
0124	WS15X10046	ENSEMBLE BUSE-VENTURI	1
0125	WS03X10043	PALIER ONDULÉ	1
0130	WS35X10020	ENSEMBLE DE JOINTS D'ÉTANCHÉITÉ	1
0132	WS22X10065	ADAPTATEUR POUR TUYAU D'ÉVACUATION	1
0136/140	WS26X21821	MOTEUR, CAME ET ENGRENAGES, 1"	1
0137	WS26X10009	PALIER	1
0138	WS26X10023	PLAQUE, MOTEUR	1
0139	WS02X10028	VIS, #6-20 X 3/8"	3
0141	WS02X10058	VIS, #8-32 X 1"	2
0143	WS60X10011	ADAPTATEUR—FILETAGE NPT — ROBINET STANDARD	2
0145	WS60X10008	BRIDE	4
0146	WS28X10018	FAISCEAUX DE FILS, CAPTEUR	1
0148	WS26X10030	TURBINE ET SUPPORT*	1
0151	WS15X10078	ROBINET DE DÉRIVATION*	1
0152	WS03X10072	JOINT D'ÉTANCHÉITÉ, TORIQUE	4
0153	WS15X21985	VANNE D'ARRÊT D'EAU	1
0998	WS35X10065	TROUSSE D'INSTALLATION	1

* Chacun comprend 2 unités du NO RÉF. 145 (BRIDE) et NO RÉF. 152 (JOINT TORIQUE)

Garantie limitée du système d'adoucissement d'eau

Tous les services sous garantie sont fournis par nos Centres de service en usine ou par un technicien autorisé. Pour un appel de service, composez sans frais le 800.561.3344. Veuillez garder les numéros de série et de modèle à portée de la main au moment d'effectuer un appel de service.

Durant la période de :	Nous remplaceront :
Un (1) an À partir de la date d'achat initial	Toute pièce du système d'adoucissement d'eau défectueuse en raison d'un vice de matière ou de main-d'œuvre. Au cours de cette période sous garantie limitée de un (1) an , GE Appliances fournira, gratuitement , toute la main-d'œuvre et le service associé pour remplacer la pièce défectueuse.
Trois ans À partir de la date d'achat initial	La commande électronique si celle-ci est défectueuse en raison d'un vice de matière ou de main-d'œuvre. Au cours de cette période sous garantie limitée de trois (3) ans , vous devrez assumer les frais de main-d'œuvre ou de service associé.
Dix ans À partir de la date d'achat initial	Le remplacement du réservoir de résine si celui-ci est défectueux en raison d'un vice de matière ou de main-d'œuvre. Au cours de cette période sous garantie limitée de dix (10) ans , vous devrez assumer les frais de main-d'œuvre ou de service associé.

Ce qui n'est pas couvert :

- Tout déplacement de service à votre domicile pour vous apprendre à utiliser le produit.
- Installation, livraison ou entretien incorrects.
- Une défaillance du produit attribuable à un usage abusif, fautif, commercial ou destiné à une autre fin que celle prévue.
- N'utilisez pas ce produit avec de l'eau d'une qualité incertaine ou non potable sur le plan microbiologique sans une désinfection adéquate en amont ou en aval du système.
- Tout remplacement des fusibles ou tout réenclenchement des disjoncteurs.
- Tout dommage occasionné par un accident, un incendie, une inondation ou une catastrophe naturelle.
- Les dommages accessoires ou indirects causés par d'éventuelles déficiences de cet appareil, son installation ou sa réparation.
- Un produit non accessible pour fournir le service requis.
- Si cet appareil n'est pas utilisé pour un usage domestique privé, la garantie couvrant les pièces, la commande électronique et le lit de résine n'est valide que pour une période de 90 jours à partir de la date d'achat.

EXCLUSION DES GARANTIES IMPLICITES—Votre seul et unique recours consiste dans la réparation du produit tel que stipulé dans la présente Garantie limitée. Toute garantie implicite, y compris les garanties implicites relatives à la qualité marchande ou à l'adéquation à un usage particulier, se limitera à une période d'un an ou à la période la plus courte prescrite par la loi.

Cette garantie limitée est étendue à l'acheteur d'origine pour les produits achetés relativement à une utilisation domestique à l'intérieur au Canada. Le service de garantie à domicile sera fourni dans les zones où il est disponible et jugé raisonnable par MC Commercial Inc..

LE GARANT N'EST PAS RESPONSABLE DES DOMMAGES INDIRECTS.

Garant : MC Commercial Inc., Burlington, ON, L7R 5B6

Soutien au consommateur

Site Web de GE Appliances

Vous avez une question ou vous avez besoin d'aide pour votre appareil électroménager? Visitez le site Web de GE Appliances 24 heures par jour, tous les jours de l'année! Vous pouvez aussi y trouver d'autres formidables produits GE Appliances et tirer avantage de tous nos services d'assistance en ligne. Au Canada : ElectromenagersGE.ca/fr

Enregistrez votre électroménager

Enregistrez votre nouvel appareil en ligne au moment qui vous convient le mieux! L'enregistrement de votre produit dans les délais prescrits permet une meilleure communication et un service rapide, selon les modalités de votre garantie, si besoin est. Vous pouvez également envoyer par courrier la carte d'enregistrement pré-imprimée qui se trouve dans l'emballage de votre appareil.

Au Canada : Prodsupport.mabe.ca/crm/Products/ProductRegistration.aspx

Service de réparation

Un service de réparation expert GE Appliances se trouve à quelques pas de chez vous. Rendez-vous sur notre site et programmez, à votre convenance, une visite de réparation à n'importe quel jour de l'année.

Au Canada : electromenagersge.ca/fr/soutien/demande-de-service ou composez le 800.561.3344

Prolongation de garantie

Procurez-vous une prolongation de garantie GE Appliances et informez-vous des rabais spéciaux en vigueur pendant la durée de votre garantie. Vous pouvez vous la procurer en ligne en tout temps. Les services GE Appliances seront toujours disponibles après l'expiration de la garantie.

Au Canada : electromenagersge.ca/fr/soutien/achat-d-une-garantie-prolongee ou composez le 866.277.9842.

Pièces et accessoires

Les personnes ayant les compétences requises pour réparer elles-mêmes leurs appareils peuvent recevoir directement à la maison des pièces ou accessoires (les cartes VISA, MasterCard et Discover sont acceptées). Commandez en ligne 24 heures par jour.

Au Canada : electromenagersge.ca/fr/produits/filtres-et-accessoires ou composer le 800.661.1616.

Les instructions contenues dans le présent manuel comportent des procédures que tout utilisateur peut effectuer. Les autres types de réparation doivent généralement être confiés à un technicien qualifié. Usez de prudence : une réparation ou un entretien mal effectués peuvent rendre l'utilisation de l'appareil dangereuse.

Communiquez avec nous

Si vous n'êtes pas satisfait du service après-vente de GE Appliances, communiquez avec nous depuis notre site Web en fournissant tous les détails dont votre numéro de téléphone, ou écrivez à - Au Canada :

Director, Consumer Relations, MC COMMERCIAL INC. | Suite 310, 1 Factory Lane | Moncton, N.B. E1C 9M3
electromenagersge.ca/fr/contactez-nous ou composez le 877.994.5366



SUAVIZANTE DE AGUA SISTEMA

Información sobre Seguridad . . . 2
 Especificaciones y Dimensiones . 3
 Acerca del Suavizante 4
 Antes de Comenzar 7
 Requisitos de Instalación 8
 Instrucciones de Instalación 11
 Programación del Suavizante . . .18
 Cuidado y Limpieza 25
 Rutina de Mantenimiento 27
 Antes de solicitar el servicio técnico 28
 Vista Ampliada/Listado de Piezas 34
 Garantía (EE.UU.) 42
 Garantía (Canadá) 43
 Soporte para el Consumidor . . . 44

MANUAL DEL PROPIETARIO E INSTRUCCIONES DE INSTALACIÓN

Modelo GXSHC40N

Escriba aquí el modelo y los números de serie:

Modelo # _____

Serie # _____

Para encontrar estos números, levante la cubierta y mire el borde debajo del panel de control.



Sistemas evaluados y certificados por NSF International contra NSF/ANSI Estándar 44 y certificados para NSF/ANSI 372.



Sistema probado y certificado por Water Quality Association en cumplimiento con CSA B483.1.

Ante cualquier duda o preocupación sobre la instalación y mantenimiento del suavizante de agua, comuníquese a nuestro número gratuito al 800-952-5039 o visite **GEAppliances.com**. Al llamar, tenga a mano los números de modelo y de serie de su producto. Esta información se puede encontrar en la calcomanía de calificación ubicada en el borde debajo de la tapa de la sal.

INFORMACIÓN IMPORTANTE DE SEGURIDAD. LEA TODAS LAS INSTRUCCIONES ANTES DEL USO

PRECAUCIONES DE SEGURIDAD

⚠️ ADVERTENCIA

Por su seguridad, se debe seguir la información en este manual con el fin de reducir el riesgo de una descarga eléctrica, daños a la propiedad o daños personales.

⚠️ ADVERTENCIA

Una tubería de cobre o galvanizada de agua fría podría usarse para conectar a tierra los tomacorrientes eléctricos en la casa. No mantener esta conexión a tierra podría resultar en descargas eléctricas peligrosas. Si la tubería de agua fría es usada para conectar a tierra los tomacorrientes, por favor refiérase a la sección de *Cómo instalar el cable a tierra* antes de cortar la tubería.

- Revise y cumpla con todos los códigos estatales y locales. Observe las pautas aquí presentadas.
- Tenga cuidado al manipular el sistema de descalcificación de agua. No lo voltee, deje caer, arrastre o coloque en protuberancias extremas.
- Los sistemas de descalcificación de agua que utilicen cloruro de sodio (sal) para la recarga agregan sodio al agua. Las personas que siguen dietas con restricciones de sodio deben considerar el sodio adicional como parte de su consumo general. El cloruro de potasio puede servir como una alternativa para el cloruro de sodio de su descalcificador.
- Use sólo soldadoras y fundiciones libres de plomo y para todas las conexiones con estaño, de acuerdo con lo requerido por los códigos estatales y federales.
- Este sistema suavizante de agua se deberá instalar y ubicar de acuerdo con las Instrucciones de Instalación antes de ser usado.

⚠️ ADVERTENCIA

No usar con agua que no sea segura a nivel microbiológico o que sea de calidad desconocida sin una desinfección adecuada, antes o después, del sistema.

En el estado de California: Deberá colocar en ON (Encendido) la configuración de Salt Efficiency feature (Eficiencia de la Sal). Esto podrá iniciar recargas más frecuentes. Sin embargo, funcionará en 4,000 granos por libra de sal o más. Para encender la función de Eficiencia de la Sal, siga las instrucciones en la sección “Salt Efficiency (Eficiencia de la Sal)” de este manual.

⚠️ ADVERTENCIA

Descarte todas las piezas sin uso y materiales de embalaje luego de la instalación. Las pequeñas partes restantes luego de la instalación podrían ocasionar riesgo de obstrucción.

- El sistema de descalcificación de agua funciona solamente con 24 voltios-60 Hz. Cerciórese de usar exclusivamente el transformador incluido.
- El transformador se debe conectar únicamente a un tomacorriente interior con conexión a tierra de 120 voltios.
- Utilice únicamente sales para descalcificación del agua, al menos con 99,5% de pureza. Se recomiendan las sales en PEPITAS, BOLITAS o SAL GRUESA SOLAR. No utilice sales en roca, bloque, granuladas o sales para la elaboración de helados. Éstas pueden contener suciedad y sedimentos, o pasta y masa y podrían crear problemas de mantenimiento.
- Mantenga la tapa del orificio de la sal en su lugar en el descalcificador a menos que esté realizando mantenimiento o reponiendo la sal. Estos tipos de sales pueden contener suciedad y sedimentos que pueden crear empaste o apelmazamiento, creando problemas de mantenimiento para el ablandador de agua.
- Evite instalar directamente en contacto con la luz solar. El exceso de calor solar puede ocasionar distorsión y otros daños sobre partes no metálicas.
- Si el ablandador de agua es instalado al aire libre, no lo coloque en una ubicación donde esté expuesto a climas húmedos, en contacto directo con la luz solar, temperaturas extremas de calor o frío, u otras formas de abuso

En el Commonwealth de Massachusetts, se deberá cumplir con el Código de Plomería 248 CMR. Consulte a un plomero matriculado.

LEA Y GUARDE ESTAS INSTRUCCIONES

Reclamos por Especificaciones y Funcionamiento

Este modelo cuenta con una calificación de eficiencia. El índice de eficiencia es válido sólo con la dosis de sal mínima indicada. El suavizante cuenta con la función de regeneración de demanda iniciada (demand initiated regeneration, D.I.R.), que cumple con las especificaciones de funcionamiento para minimizar la cantidad de salmuera regenerante y agua usada en esta operación.

El suavizante cuenta con una eficacia de la sal evaluada de no menos de 4,000 granos del total de intercambio de dureza por libra de sal (en base al cloruro de sodio), y no brindará más sal que la evaluada ni será operado en un índice de flujo de servicio máximo sostenido superior al evaluado. Se probó que este suavizante brinda agua suave durante por lo menos diez minutos en forma continua en el índice de flujo de servicio evaluado. La eficacia de la sal evaluada es medida por evaluaciones de laboratorio descritas en el Estándar 44 de NSF/ANSI. Estas evaluaciones representan el máximo nivel de eficacia posible que el sistema puede alcanzar. La eficacia operativa es la eficacia real luego de que el sistema fue instalado. Es típicamente inferior a la eficacia, debido a los factores de aplicación individual que incluyen la dureza del agua, el uso del agua, y otros contaminantes que reducen la capacidad del suavizante.

Especificaciones	
Modelo	GXSHC40N
Capacidad Evaluada* (Granos por Dosis de Sal)	11,700 @ 2.3 lbs 31,500 @ 8.7 lbs. 40,000 @ 15.1 lbs.
Eficacia Evaluada** (Granos/ Libras de Sal en Dosis de Sal Mínima)	5,100 @ 2.3 lbs.
Agua usada durante la Regeneración (galones/ granos)	2.7 /1000
Agua Total Usada por Regeneración en Dosis de Sal Mínima	37.0 gallons
Cantidad de Resina de Intercambio Iónico de Alta Capacidad (lb./ pies cúbicos).	57.56/1.11
Tamaño Nominal del Tanque de Resina (pulg., diám. x altura)	9 x 40
Índice de Flujo del Servicio (gpm)	9.5
Caída de Presión en Flujo del Servicio Evaluado (psig)	12.7
Dureza Máxima del Suministro de Agua (gpg)	110
Hierro Máximo en Agua Pura del Suministro de Agua (ppm)***	8
Límites de Presión del Agua (psi mínimo- máximo)****	20-125
Límites de Temperatura del Agua (mín.- máx.°F)	40-120
Índice de Flujo Máximo al Drenaje (gpm)	2.3

Estos sistemas cumplen con los reclamos de capacidad específica de NSF/ANSI 44, de acuerdo con los verificados y corroborado por datos de evaluaciones.

* La evaluación fue realizada utilizando cloruro de sodio con grados de bolitas de la sal regenerante.

** El índice de eficiencia es válido sólo con la dosis de sal mínima indicada. La eficacia de estos suavizantes fue evaluada de acuerdo con NSF/ANSI 44.

*** La extensión de la eliminación del hierro puede variar con las condiciones. La capacidad de reducir el hierro del agua pura es corroborada por datos evaluados de WQA. El Estado de Wisconsin requiere tratamientos adicionales si el suministro de agua contiene un nivel superior a 5 ppm de hierro en agua pura. Consulte la sección Limpieza del Hierro con el Sistema Suavizante de Agua.

**** Límites de presión en Canadá. 1.4–7.0 kg/cm2.

Reclamos de Funcionamiento		
Contaminante	Nivel de Desafío del Agua Prefiltrada	Nivel Máximo de Agua Permitida
Bario	10 ±10% mg/L	2.0 mg/L
Radio 226/228	25 pCi/L	5pCi/L

Los parámetros de la evaluación incluyen: pH = 7.5±0.5, índice de flujo = 7.5 gpm y presión dinámica = 35±5 psig

Sobre el sistema de descalcificación de agua

SERVICIO

Cuando el sistema descalcificador de agua está proporcionando agua descalcificada, a esto se le llama "Servicio". Durante el servicio, el agua dura fluye desde la tubería de agua principal de la casa hacia el sistema de descalcificación de agua. En el interior del tanque de resina del sistema de descalcificación de agua hay una película o capa compuesta de miles de resinas plásticas diminutas. Cuando el agua dura pasa a través de la capa, cada resina diminuta atrapa los minerales duros. A esto se le llama intercambio de iones. Es como un imán que atrae y atrapa metales. Luego, el agua sin minerales duros (agua descalcificada o agua blanda) fluye hacia la casa desde el sistema de descalcificación.

Después de un período de tiempo, la capa de resina se obstruye o se satura con los minerales duros y debe limpiarse. Esta limpieza se denomina recarga. La recarga comienza a las 2:00 AM (ajustado en fábrica) por el control del sistema de descalcificación de agua, y consiste en cinco etapas o ciclos. Éstas son **FILL (llenado)**, **BRINING (proceso de salado)**, **BRINE RINSE (enjuague salado)**, **BACKWASH (lavado regresivo)** y **FAST RINSE (lavado rápido)**.

CIRCUNVALACIÓN AUTOMÁTICA DEL AGUA DURA DURANTE LA RECARGA

Durante la recarga, el suavizante de agua se coloca automáticamente en el modo de tubo de desviación, permitiendo que el agua dura esté disponible en el hogar. Una vez que el suavizante es recargado, el agua es dirigida nuevamente a través del suavizante para sea acondicionada.

Sin embargo, se debe evitar el uso de agua CALIENTE debido a que el calentador de agua se llenará con el agua dura. Espere hasta que el ciclo de recarga esté completo antes de usar el agua caliente en su hogar.

LLENADO

La sal disuelta en agua es llamada salmuera. La salmuera es necesaria para limpiar los minerales duros de las diminutas partículas de resina. Para formar la salmuera, el agua fluye hacia el interior del tanque de sal durante el período de llenado.

SALADO

Durante el proceso de salado, la salmuera se desplaza del área del tanque de almacenamiento de la sal hacia el tanque de la resina. La salmuera es el agente de limpieza necesario para remover los minerales duros de la capa de resina. Los minerales duros y la salmuera son descargados hacia el desagüe.

La boquilla y el Venturi crean una succión para mover la salmuera, manteniendo un ritmo muy bajo para obtener la resina de limpieza con la menor cantidad de sal.

ENJUAGUE DE SALMUERA

Después de que se use una cantidad de salmuera medida con anterioridad, la válvula de salmuera se cierra. El agua continúa fluyendo en la misma trayectoria que durante el proceso de salado, excepto por el flujo de salmuera discontinuado. Los minerales duros y la salmuera fluyen del tanque de resina hacia el desagüe.

LAVADO REGRESIVO

Durante el lavado regresivo, el agua viaja hacia arriba a través del tanque de resina a un flujo de ritmo rápido, purgando el hierro acumulado, la suciedad, y los sedimentos desde la capa de resina hacia el desagüe.

ENJUAGUE RÁPIDO

El lavado regresivo es seguido por un flujo de agua rápido hacia abajo a través del tanque de resina. El flujo rápido purga la salmuera del fondo del tanque, y rellena el tanque de resina.

A continuación del enjuague rápido, el sistema de descalcificación de agua regresa al servicio de agua descalcificada.

Sobre el sistema de descalcificación de agua

FUNCIONAMIENTO NORMAL, PANTALLAS DE CONTROL

Durante el funcionamiento normal, la hora actual del día y AM o PM y DAYS TO EMPTY (DÍAS HASTA VACIARSE) aparecen en el área de la pantalla de control.

El sistema se recargará de forma automática en el tiempo de recarga presente, según sea necesario.

FUNCIÓN: CONTROLES OPCIONALES DE RECARGADO

A veces, es posible que usted desee o necesite una recarga iniciada manualmente. Dos ejemplos:

- Usted ha usado más agua que de costumbre (huéspedes en la casa, lavado adicional, etc.) y quizás se quede sin agua descalcificada antes de la próxima recarga.
- Se le acabó la sal al sistema.

Use una de las funciones siguientes para comenzar una recarga inmediatamente, o en el próximo inicio de recarga preprogramada.

RECARGAR ESTA NOCHE

Presione (sin mantener presionado) el botón **RECHARGE (Recargar)**. **RECHARGE TONIGHT (Recargar Esta Noche)** titila en el área de la pantalla de control. Se realizará una recarga en el próximo tiempo de inicio de recarga presente. Si decide cancelar esta recarga, presione el mismo botón una vez más.

RECARGAR AHORA

Mantenga presionado el botón **RECHARGE (Recargar)** hasta que **RECHARGE NOW (Recargar Ahora)** comience a titilar en el área de la pantalla de control. El sistema suavizante de agua inicia una recarga de inmediato y, al finalizar en unas dos horas, contará con un nuevo suministro de agua suave. Una vez iniciada, ya no podrá cancelar esta recarga.

FUNCIÓN: MEMORIA

Si el suministro eléctrico del sistema de descalcificación de agua es interrumpido, la pantalla de control estará en blanco, y la luz indicadora azul se apaga, pero el control mantiene la hora correcta por seis horas aproximadamente. Cuando el suministro es restaurado, usted tendrá que reajustar la hora actual solamente si la visualización y la luz indicadora azul están intermitentes. Todos los otros ajustes se mantienen y nunca requieren ser ajustados a no ser que usted desee hacer algún cambio.

Si la hora está intermitente después de una interrupción prolongada en el suministro eléctrico, el sistema de descalcificación de agua continúa operando como debería para proporcionarle agua descalcificada. Sin embargo, la recarga podrían ocurrir a la hora equivocada del día hasta que usted reajuste el control a la hora correcta del día.

CARACTERÍSTICA/SERVICIO: DIAGNÓSTICO ELECTRÓNICO AUTOMÁTICO

La computadora de control tiene una función de diagnóstico automático para el sistema eléctrico (excepto para la energía de entrada y la medición del agua). La computadora monitorea los componentes electrónicos y los circuitos para una operación correcta. Si ocurre un error, un código de error aparece en la pantalla de control.

Sobre el sistema de descalcificación de agua

INFORMACIÓN SOBRE LA CONDICIÓN DEL AGUA

HIERRO

El hierro del agua puede causar manchas en la ropa y accesorios de plomería. Puede alterar de forma negativa el sabor de la comida, el agua potable y otras bebidas. El hierro del agua es medido en partes por millón (ppm). El ppm de hierro total*, y el tipo o tipos* es determinado a través de análisis químicos. Los cuatro tipos de hierro diferentes en el agua son:

- Hierro ferroso (agua potable)
- Hierro férrico (agua roja)
- Hierro asociado por bacterias y organismos
- Hierro asociado en forma coloide e inorgánica (ferroso o férrico)

El hierro ferroso (agua potable) es soluble y se disuelve en agua. Este suavizante de agua reducirá cantidades moderadas de este tipo de hierro (lea las especificaciones). **El hierro ferroso (agua potable) normalmente se detecta tomando un ejemplo del agua en una botella o vaso limpios. Inmediatamente luego de tomarlos, el ejemplo es claro. A medida que el ejemplo de agua se asienta, gradualmente se enturbia y se vuelve levemente amarilla o marrón a medida que el aire oxida el hierro. Este normalmente ocurre entre los 15 y 30 minutos.

Al usar el suavizante para reducir el hierro ferroso (agua potable), agregue 5 granos a la configuración dura por cada 1 ppm de hierro ferroso (agua potable). Lea la sección "Configuración del Número de Agua Dura).

Los hierros férricos (agua roja), y asociados con bacterias y organismos son insolubles. Este suavizante de agua no eliminará el hierro férrico ni las bacterias. Este hierro es visible de forma inmediata al salir por un grifo, ya que se oxidó antes de llegar al hogar. Aparece en forma de pequeñas partículas turbias suspendidas de color amarillo, anaranjado o rojizo. Una vez que el agua se asentó por un período de tiempo, las partículas quedan en el fondo del envase. Generalmente, estos hierros son eliminados del agua a través del proceso de filtración. También se recomienda la cloración con el hierro con bacterias.

El hierro asociado en forma coloide o inorgánico es de forma férrica o ferrosa que no se filtrará ni intercambiará fuera del agua. Este suavizante de agua no eliminará el hierro coloidal. En algunas instancias, el tratamiento puede mejorar el agua con hierro coloidal. Normalmente, el agua con hierro coloidal cuenta con un aspecto amarillento al ser extraído. Luego de asentarse durante varias horas, el color persiste y el hierro no se asienta, sino que permanece suspendido en el agua.

SEDIMENTO

El sedimento son partículas de material fino y extraño suspendidas en el agua. Este suavizante de agua no eliminará el sedimento. Con gran frecuencia este material es arcilla o cieno. Las cantidades extremas de sedimento pueden dar al agua un aspecto turbio. A medida que el agua pasa a través del ablandador, las partículas más grandes de sedimento son recolectadas en la canasta integrada y luego enjuagadas hacia el drenaje antes de cada regeneración. La función del filtro de sedimentos brinda mayor protección para los electrodomésticos que usan agua, reduciendo la posibilidad de que ingresen partículas más grandes en las válvulas y pantallas de los diferentes productos.

IMPORTANTE: La función del filtro de sedimentos no es reemplazar la filtración del pretratamiento. Para las aplicaciones por problemas con el agua, se recomienda una filtración de sedimentos adicional.

COLORO

Las resinas suavizantes se pueden degradar en presencia de cloro sobre 2 ppm. Si el cloro excede esta cantidad, es posible que la resina experimente un período de duración más corta. En estas condiciones, es recomendable considerar la compra de un sistema de filtración para hogar GE Appliances Point-Of-Entry con un filtro para la reducción de cloro.

* El agua puede contener uno o más de los cuatro tipos de hierro y cualquier combinación de estos. El hierro total es la suma de los contenidos.

** La capacidad de reducir el hierro del agua potable es corroborada por datos evaluados de WQA.

Antes de comenzar

ANTES DE COMENZAR

- El suavizante de agua requiere un flujo mínimo de agua de 3 galones por minuto en la entrada. La presión de entrada de agua máxima tolerable es de 125 psi. Si la presión del día supera los 80 psi, es posible que la presión nocturna supere el máximo. Si es necesario, utilice una válvula de reducción de presión (agregar una válvula de reducción de presión puede reducir el flujo). Si su hogar está equipado con un preventor de flujo regresivo, se deberá instalar un tanque de expansión de acuerdo con los códigos y leyes locales.
- El suavizante de agua utiliza un suministro de corriente externa conectado en forma directa (incluido). Asegúrese de usar el suministro de corriente incluido y enchufe el mismo en un tomacorriente de hogar con ciclo nominal de 120V, 60 que se encuentre en una ubicación seca, conectado a tierra y correctamente protegido por un dispositivo de sobrecarga de corriente tal como un disyuntor o fusible.
- La comunicación WiFi requiere conectividad WiFi y energía eléctrica en la ubicación del ablandador. La conectividad de la aplicación no funcionará si falla. (Verifique ambos antes de que el sistema esté completamente instalado.)
- Este sistema no se debe usar con agua que no sea segura a nivel microbiológico o que sea de calidad desconocida sin una desinfección adecuada, antes o después, del sistema.

HERRAMIENTAS Y MATERIALES REQUERIDOS PARA LA INSTALACIÓN

- Pinzas
- Destornillador
- Cinta de teflón
- Cuchillo filoso
- Dos llaves ajustables
- 2 accesorios para conectar la tubería de su residencia a las roscas hembras NPTF de 2,5 cm (1") en el alojamiento del filtro.
- Es posible que se necesite partes adicionales para completar la instalación:
 - Abrazaderas de toma de tierra aprobadas por UL y cable de toma de tierra de cobre calibre 6.

INSPECCIÓN DEL ENVÍO

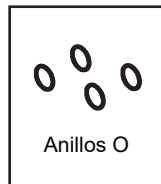
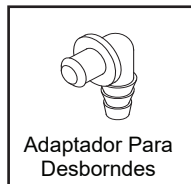
Asegúrese de que todas las piezas que aparecen a continuación estén presentes. Cualquier pieza adicional necesaria para completar la instalación deberá ser comprada. Controle detenidamente que el suavizante de agua no haya sufrido daños ni pérdidas de piezas durante el envío. También inspeccione y observe cualquier daño sobre la caja enviada.

Retire y descarte (o recicle) todos los materiales de embalaje. A fin de evitar la pérdida de piezas pequeñas, sugerimos que conserve las mismas en la bolsa de piezas hasta que se deban usar.

⚠ ADVERTENCIA

Descarte todas las piezas sin uso y materiales de embalaje luego de la instalación. Las pequeñas partes restantes luego de la instalación podrían ocasionar riesgo de obstrucción.

NOTA: El incumplimiento de estas instrucciones de instalación anulará la garantía del producto, y el instalador será responsable por cualquier servicio, reparación o daños ocasionados de ese modo.



Requisitos de Instalación

REQUISITOS DE UBICACIÓN

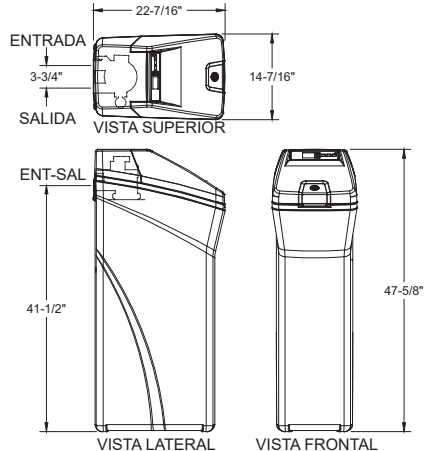
Considere todo lo siguiente al seleccionar una ubicación de instalación del suavizante de agua.

- No coloque el suavizante de agua donde haya temperaturas heladas. No intente tratar el agua a más de 120 °F. **Los daños por temperaturas heladas o agua caliente anulan la garantía.**
- Para acondicionar toda el agua del hogar, instale el suavizante de agua cerca de la entrada del suministro de agua, y antes que todas las demás conexiones de plomería, excepto las tuberías de agua externas. Las grifos externos deberían permanecer con agua dura para evitar el desperdicio de agua y sal acondicionada.
- Un drenaje cercano es necesario para arrastrar el agua echada (drenada) para regeneración. Use un drenaje por suelo, tubería de lavandería, sumidero, tubería vertical, u otras opciones (consulte los códigos locales). Consulte las secciones "Requisitos de Espacio Libre" y "Requisitos de Drenaje con Válvula".
- El suavizante de agua utiliza un suministro de corriente externa conectado en forma directa (incluido). Asegúrese de usar el suministro de corriente incluido y enchufe el mismo en un tomacorriente de hogar con ciclo nominal de 120V, 60 que se encuentre en una ubicación seca, conectado a tierra y correctamente protegido por un dispositivo de sobrecarga de corriente tal como un disyuntor o fusible.
- Siempre instale el suavizante de agua entre la entrada de agua y el calentador de agua. Cualquier otro equipamiento para el acondicionamiento de agua debería ser instalado entre la entrada de agua y el suavizante de agua (Consulte la Figura siguiente).
- Si el ablandador de agua es instalado al aire libre, no lo coloque en una ubicación donde esté expuesto a climas húmedos, en contacto directo

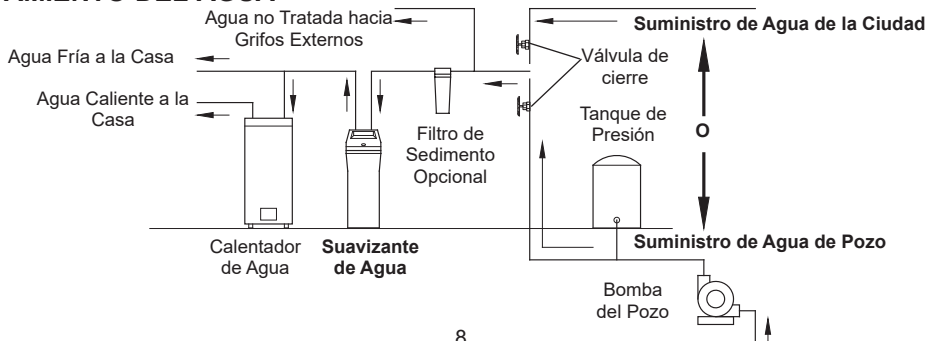
con la luz solar, temperaturas extremas de calor o frío, u otras formas de abuso.

- **NO HAGA CORRER AGUA CALIENTE A TRAVÉS DEL SUAVIZANTE** La temperatura del agua que pasa a través del suavizante deberá ser inferior a 120° F.
- Evite la instalación directamente en contacto con la luz solar. El exceso de calor solar puede ocasionar distorsión y otros daños sobre partes no metálicas.
- Cuando se instale en una ubicación exterior, deberá realizar los pasos necesarios para asegurar que el ablandador, la plomería y cableado de instalación, estén protegidos de los factores climáticos, luz solar directa, contaminación, vandalismo, insectos, alimañas, etc.
- No instale el suavizante donde pueda bloquear el acceso al calentador de agua o el acceso al cierre principal del agua.

DIMENSIONES



ORDEN ADECUADO PARA INSTALAR EL EQUIPAMIENTO PARA EL TRATAMIENTO DEL AGUA



Requisitos de Instalación

CÓDIGOS DE PLOMERÍA

Toda la plomería deberá ser completada de acuerdo con los códigos de plomería nacional, estatal y local. En el estado de Massachusetts: En el Commonwealth de Massachusetts, se deberá cumplir con el Código de Plomería 248 CMR. Se deberá contratar a un plomero matriculado para esta instalación.

REQUISITOS DE ESPACIO LIBRE

Es necesario un drenaje para el agua de regeneración (Ver la Figura 1). Es recomendable un drenaje por el suelo, cerca del suavizante de agua. Otras opciones de drenaje son una tubería para lavandería, un tubo vertical, etc. Coloque de forma segura la manguera de la válvula de drenaje. Deje un espacio libre de 1-1/2" entre el extremo de la manguera y el drenaje. Este espacio es necesario para evitar el flujo regresivo de agua de cloaca en el suavizante de agua. No coloque el extremo de la manguera de drenaje en el drenaje.

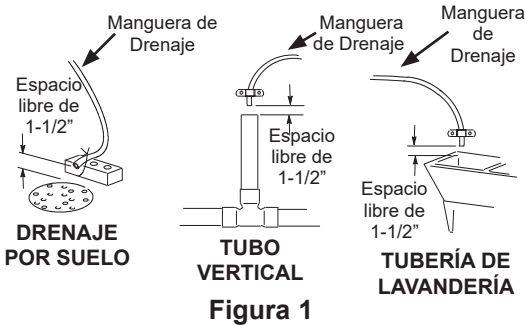


Figura 1

REQUISITOS DEL DRENAJE CON VÁLVULA

Para el uso de una manguera de drenaje flexible (incluida) (vea la Figura 2), mida y corte hasta la extensión necesaria. El uso de mangueras de drenaje flexible no está permitido en todas las localidades (consulte sus códigos de plomería). Si los códigos locales no permiten el uso de una manguera de drenaje flexible, se deberá usar un drenaje con válvula rígida. Adquiera un accesorio de compresión (tubo mínimo de 1/4 NPT x 1/2 pulgada) y un tubo de 1/2" en su tienda local. Instale un drenaje rígido según sea necesario (Vea la Figura 3).

NOTA: Evite que la manguera de drenaje supere los 30 pies. Evite elevar la manguera más de 8 pies sobre el piso. Haga que la línea de drenaje con válvula sea tan corta y directa como sea posible.

LÍNEA DE DRENAJE FLEXIBLE

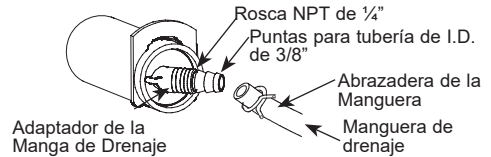


Figura 2

LÍNEA DE DRENAJE RÍGIDO

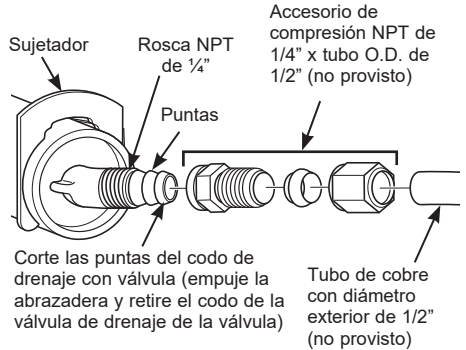


Figura 3

Requisitos de Instalación

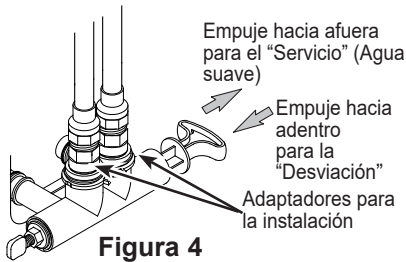
REQUISITOS DE PLOMERÍA INTERIOR/ EXTERIOR

Siempre instale una válvula de desviación simple (provista), como se muestra en la Figura 4, o, si lo desea, puede adquirir y ensamblar piezas para un sistema de desviación de 3 válvulas (no incluido), como se muestra en la Figura 5. Las válvulas de desviación le permiten cerrar el agua en el suavizante para el mantenimiento si es necesario, pero aún tener agua en las tuberías de la casa. Los accesorios para tubería deberán ser como mínimo de 1/2". Uso:

- Tubería de cobre
- Tubería roscada
- Tubería PEX (Polietileno Entrecruzado)
- Tubería de plástico de CPVC
- Otra tubería aprobada para uso con agua potable

IMPORTANTE: No suelde con la tubería adjunta a los adaptadores de instalación y a la válvula de desviación simple. El calor de la soldadura dañará los adaptadores y la válvula.

VÁLVULA DE DESVIACIÓN SIMPLE

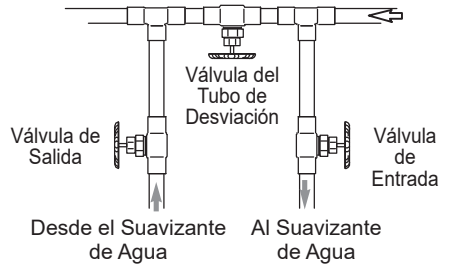


3-SISTEMA DE DESVIACIÓN CON VÁLVULA

Para el servicio con agua suave: Abra las válvulas internas y externas y cierre la válvula de desviación.

Para desviar agua dura: Cierre las válvulas internas y externas y abra la válvula de desviación.

3 DESVIACIÓN CON VÁLVULA



⚠ ADVERTENCIA

Una tubería de cobre o galvanizada de agua fría podría usarse para conectar a tierra los tomacorrientes eléctricos en la casa. No mantener esta conexión a tierra podría resultar en descargas eléctricas peligrosas. Si la tubería de agua fría es usada para conectar a tierra los tomacorrientes, por favor refiérase a la sección de Cómo instalar el cable a tierra antes de cortar la tubería.

Instrucciones de Instalación

INSTALACIÓN TÍPICA

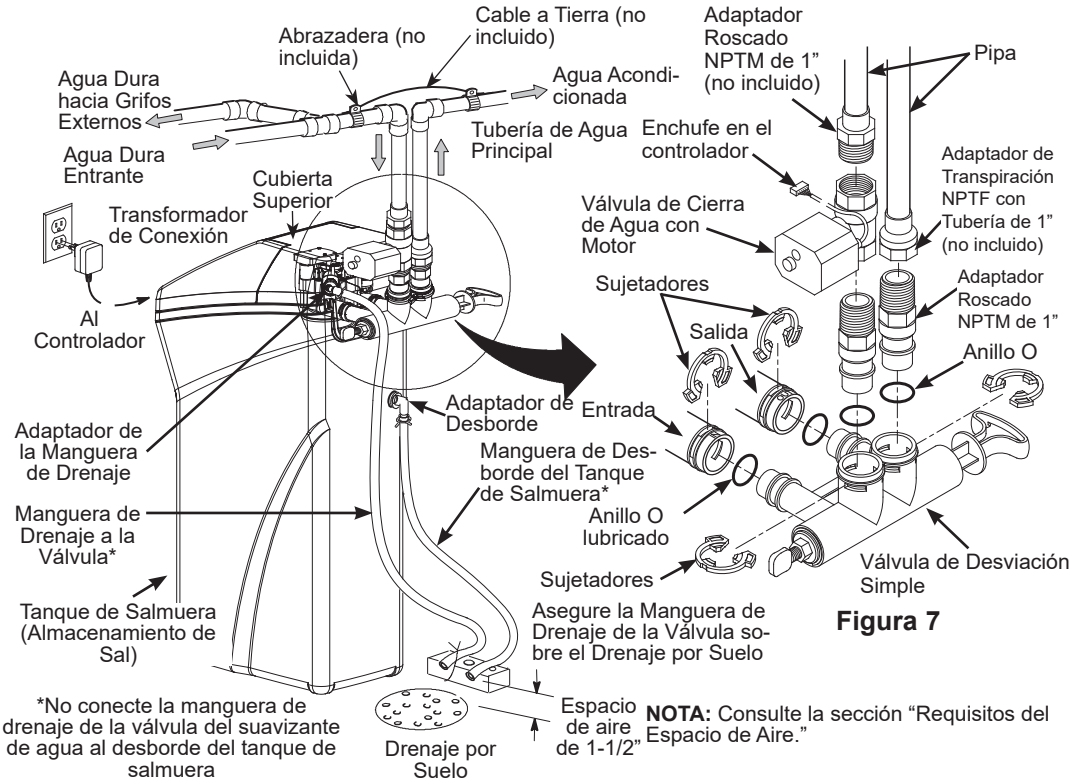


Figura 6

Figura 7

- Retire el enchufe y el cable del embalaje plástico de la conexión de salida de la válvula.

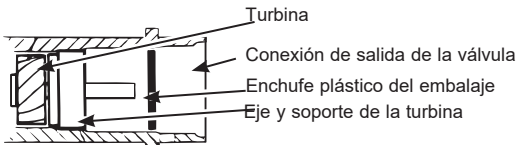


Figura 8

Nota: Asegúrese de que la turbina y el soporte estén firmemente en sus lugares en la conexión de salida de la válvula. Sopla hacia el puerto de la válvula y observe que la turbina rote libremente.

Instrucciones de Instalación

CIERRE EL SUMINISTRO DE AGUA

1. Cierre la válvula del suministro principal de agua, ubicada cerca de la bomba del pozo o del medidor de agua.
2. Abra todos los grifos para drenar toda el agua de las tuberías de la casa.

NOTA: Asegúrese de no drenar el agua del calentador de agua, ya que esto podría ocasionar daños sobre los elementos del calentador de agua.

INSTALE EL ADAPTADOR DE DESBORDE DEL TANQUE DE SALMUERA

Instale la arandela aislante y el adaptador de desborde del tanque de salmuera en el agujero de 13/16" de diámetro en la parte trasera de la pared lateral del tanque de almacenamiento de sal; (consulte la Figura 9).

NOTA: El adaptador de desborde del tanque de salmuera acepta una manguera I.D. de 1/2" o 3/8".

INSTALE LA VÁLVULA DE DESVIACIÓN

NOTA: Para una instalación fácil, retire la tapa superior. Libere las 2 abrazaderas de la parte trasera de la tapa. Rote la tapa hacia adelante y levante la misma.

1. Retire dos abrazaderas de las puertas de entrada y salida de la válvula del suavizante de agua y visualmente controle y retire cualquier escombros; (consulte la Figura 7).
2. Asegúrese de que el ensamble de la turbina gire libremente en el puerto de "salida" de la válvula; (consulte la Figura 8).
3. Si aún no se realizó, coloque una cobertura luminosa de grasa de silicona (a condición de que) en los anillos o de desviación simple; (consulte la Figura 7).
4. Empuje la válvula de desviación simple sobre la válvula del suavizante tanto como sea posible. Presione las dos abrazaderas de sujeción en sus lugares, desde la parte superior hacia abajo; (consulte las Figuras 7 y 10).

IMPORTANTE: Asegúrese de que las abrazaderas queden firmes, de modo que la válvula de desviación simple no se suelte.

MUEVA EL SUAVIZANTE DE AGUA A SU LUGAR

⚠ ADVERTENCIA Riesgo de Peso Excesivo

Cuente con la ayuda de dos o más personas para mover e instalar el suavizante de agua. Si esto no se hace, se podrán producir lesiones de espalda u otras lesiones.

1. Mueva el suavizante de agua hasta la ubicación deseada. Coloque el mismo sobre una superficie sólida y nivelada.

IMPORTANTE: No coloque cuñas directamente debajo del tanque de almacenamiento de sal para nivelar el suavizante. El peso del tanque, cuando esté lleno de agua y sal, podrá hacer que se fracture en la cuña.

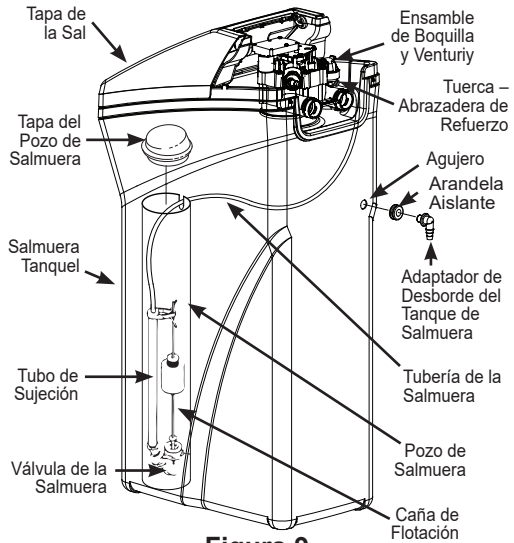
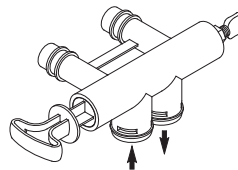


Figura 9

NOTA: La unidad se muestra sin la tapa superior.

VÁLVULA DE DESVIACIÓN SIMPLE



Si se conecta a la plomería a nivel del suelo, instale la válvula de desviación girada hacia abajo, como se muestra.

ENSAMBLE CORRECTO

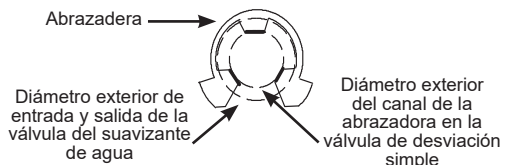


Figura 10

NOTA: Asegúrese de que las 3 lengüetas de la abrazadera atraviesen los agujeros correspondientes en la entrada y salida de la válvula del suavizante de agua, y completamente en el canal en la válvula de desviación simple. Asegúrese de que las lengüetas estén completamente apoyadas.

Instrucciones de Instalación

OBTENCIÓN DE ACCESO AL TABLERO DE CONTROL PRINCIPAL (PARA ENCHUFAR LA VÁLVULA DE CIERRE DE AGUA)

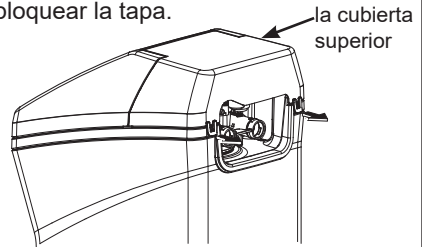
INSTALACIÓN DE LA VÁLVULA DE CIERRE DE AGUA CON MOTOR

Instale la válvula de cierre de agua incluida en el adaptador de instalación roscado que conduce a la ENTRADA del suavizante de agua. De forma opcional, se podrá instalar en otra parte de la tubería de subida de la entrada del suavizador de agua, asegurándose de que el cable de 10 pies de longitud llegue hasta el tablero de control principal del suavizante (vea la ilustración). La entrada y la salida de la válvula de cierre son hembras NPT de 1". Soporta el peso de la válvula de cierre.

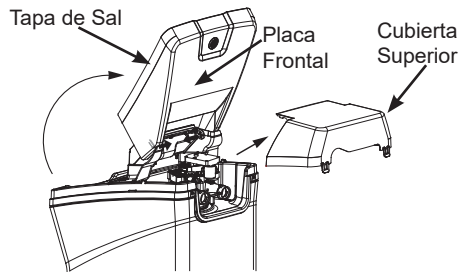
Luego de completar la instalación de la tubería, asegúrese de que el suavizante de agua no sea alimentado, y enchufe el cable desde la válvula de cierre hasta el conector correspondiente del tablero de control principal (vea la ilustración a la derecha).

NOTA: La válvula de cierre podrá ser operada de forma manual, empujando hacia afuera y girando la perilla del cuerpo de la válvula de cierre, aunque no hay necesidad de hacer esto al realizar la instalación.

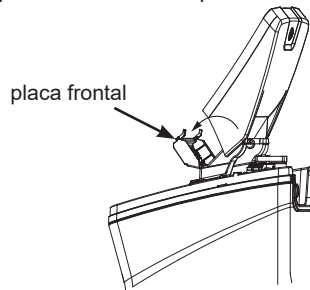
1. Empuje hacia fuera ambas lengüetas en la parte trasera de la tapa superior para desbloquear la tapa.



2. Incline la tapa superior hacia arriba y levante.
3. Abra la tapa de sal e incline la misma hacia atrás hasta que quede apoyada.
4. Empuje ambas lengüetas hacia el centro para desbloquear la placa frontal.



5. Incline la placa frontal para exponer la parte trasera de la placa de control.



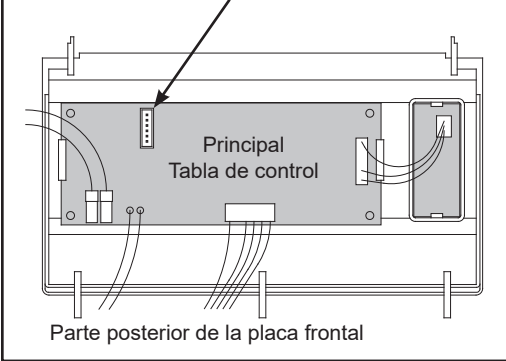
PRECAUCIÓN

No coloque los dedos en la

válvula de cierre con motor cuando sea enchufada en el controlador electrónico.

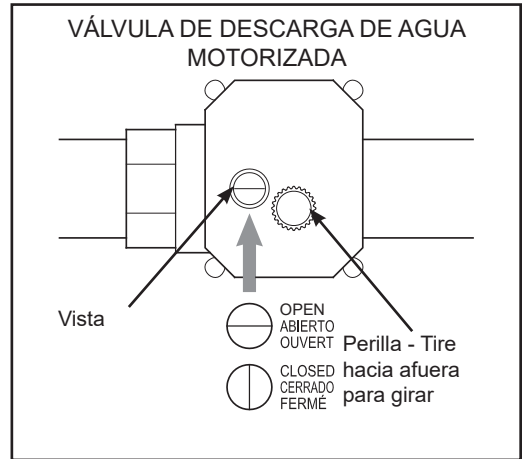
Instrucciones de Instalación

6. Con la alimentación apagada, enchufe el cable de la válvula de cierre en este conector.



VÁLVULA DE DESCARGA DE AGUA MOTORIZADA

Para operar manualmente la válvula de cierre de agua motorizada, saque la perilla redonda de la válvula y gírela hasta que la línea roja en la mirilla coincida con la posición deseada (abierta o cerrada). Vea la siguiente ilustración.



Instrucciones de Instalación

COMPLETE LA PLOMERÍA DE

⚠ ADVERTENCIA

Una tubería de cobre o galvanizada de agua fría podría usarse para conectar a tierra los tomacorrientes eléctricos en la casa. No mantener esta conexión a tierra podría resultar en descargas eléctricas peligrosas. Si la tubería de agua fría es usada para conectar a tierra los tomacorrientes, por favor refiérase a la sección de Cómo Instalar el Cable a Tierra antes de cortar la tubería.

IMPORTANTE: Este ablandador de agua cuenta con un sistema de válvula no metálico. Instalar el mismo en una tubería metálica interrumpirá la continuidad eléctrica, lo cual podrá interrumpir la conexión a tierra del hogar. Deberá restablecer la continuidad eléctrica en su sistema de plomería metálico.

Si instala un sistema de desviación de 3 válvulas (Figura 5), la continuidad eléctrica se podrá mantener. Si instala la válvula de desviación no metálica (Figura 11), consulte la sección de Instalación del Cable a Tierra antes de cortar la tubería.

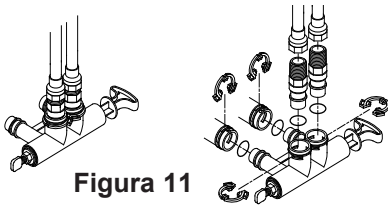


Figura 11

Mida, corte y de forma floja ensamble la tubería y accesorios de la tubería principal de agua a los puertos de entrada y salida de la válvula del suavizante de agua. Asegúrese de mantener los accesorios totalmente juntos, y las tuberías de forma rígida y derecha. **ASEGÚRESE DE QUE EL SUMINISTRO DE AGUA DURA SEA DIRIGIDO AL PUERTO DE ENTRADA DE LA VÁLVULA DEL SUAVIZANTE.**

NOTA: La entrada y salida están marcadas sobre la válvula del suavizante de agua. Trace la dirección del flujo de agua para asegurar que el agua dura va hacia la entrada.

IMPORTANTE: Asegúrese de encajar, alinear y sostener toda la plomería, a fin de evitar poner tensión sobre la entrada y salida de la válvula del suavizante de agua. La tensión sobre la plomería por falta de alineación o sostén puede ocasionar daños sobre la válvula.

- Si realizará una instalación con cobre soldado, realice todas las soldaduras con el metal ya en la cavidad antes de conectar las tuberías a los adaptadores de NPT y la válvula de desviación. El calor de la linterna daña las partes plásticas.

⚠ ADVERTENCIA

Si se harán soldaduras para la conexión de las tuberías, use sólo soldadoras y fundidores libres de plomo para evitar el envenenamiento con plomo.

- Al girar los accesorios de las tuberías roscadas en los accesorios de plástico, tenga cuidado de no cruzar las roscas.
- Use Cinta de Teflón en todas las roscas de tuberías externas. Complete la tubería interna y externa sobre el tipo de tubería que usará. Asegure la abrazadera con conexión a tierra a las tuberías de metal.

INSTALACIÓN DEL CABLE DE TIERRA

NOTA: Si la tubería de su casa es de plástico no debería ser usada para efectuar la conexión de tierra, y este paso puede ser obviado.

IMPORTANTE: Una tubería de agua fría galvanizada interiormente o de cobre es usada muy a menudo para conectar a tierra los tomacorrientes eléctricos en las casas. **Una toma de tierra lo protege de descargas eléctricas.** El alojamiento del filtro de agua pudo haber interrumpido la trayectoria de tierra. Para restablecer la conexión, instale un cable de cobre de 45,7 cm (18"), de calibre 6 a través del filtro, fuertemente sujeto utilizando abrazaderas de tierra de bronce de 1,3 a 2,5 cm (1/2" a 1") aprobada por UL en ambos extremos de la línea como se muestra en la ilustración. No se deben usar abrazaderas de cinc en tuberías de cobre. El cable y las abrazaderas pueden ser compradas por separado en su ferretería local.

1. Limpie la tubería de cobre y los extremos del cable con papel de esmeril. Se recomienda que utilice cable desnudo. Si utiliza cable aislado, las puntas deberían estar desnudas de su protector, aproximadamente 1,9 cm (3/4") antes de proceder a limpiarlas con papel de esmeril.
2. Sujete las abrazaderas de bronce a la tubería. Apriete los tornillos.
3. Sujete el cable a las abrazaderas tal como se muestra en la figura. Apriete los tornillos.

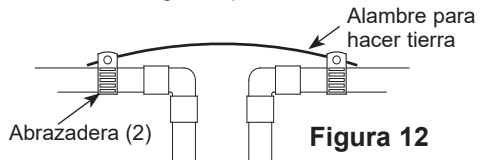


Figura 12

NOTA: Si instalará un filtro para sedimentos u otro ítem(s) en el sistema de plomería, junto con el ablandador de agua, asegúrese de restablecer la continuidad eléctrica en todas las secciones eliminadas de la tubería metálica.

Instrucciones de Instalación

INSTALE LA MANGUERA DE DRENAJE DE LA VÁLVULA

1. Mida y conecte la línea de drenaje de 3/8" (provista) al accesorio de drenaje de la válvula del suavizante de agua. Use un sujetador de manguera para sostener la misma en su lugar.

NOTA: Evite que la manguera de drenaje supere los 30 pies. Evite elevar la manguera más de 8 pies sobre el piso. Haga que la línea de drenaje con válvula sea tan corta y directa como sea posible.

IMPORTANTE: Si los códigos requieren una línea de drenaje rígida, consulte la sección "requisitos de Drenaje de la Válvula".

2. Dirija la manguera de drenaje o la tubería de cobre al drenaje del suelo u otro punto de drenaje adecuado. Asegure la manguera de drenaje. Esto evitará los "latigazos" durante las regeneraciones. Consulte la sección "Requisitos del Espacio Libre" (Figura 1).
3. Corte y asegure la manguera.

NOTA: El suavizante no funcionará si el agua no puede salir de la manguera de drenaje durante la recarga.

INSTALE LA MANGUERA DE DESBORDE DEL SALMUERA TANQUE (DE ALMACENAMIENTO DE SAL)

1. Mida, corte hasta la extensión necesaria y conecte la línea de drenaje de 3/8" (provista) al codo de desborde del tanque de almacenamiento de sal y asegure la misma con un sujetador de mangueras.
2. Dirija la manguera al drenaje del piso, o hacia otro punto de drenaje adecuado que no esté más alto que el accesorio de drenaje en el tanque de almacenamiento de sal (Éste es un drenaje por gravedad). Si el tanque se sobrecarga con agua, el excedente fluye hacia el punto de drenaje. Corte la línea de drenaje hasta la extensión deseada y dirija la misma con cuidado fuera del camino.

IMPORTANTE: Para un funcionamiento adecuado del suavizante de agua, no conecte la tubería del drenaje de la válvula del suavizante de agua a la manguera de desborde del tanque de almacenamiento de sal.

PRUEBA DE PÉRDIDAS

Para evitar la presión de aire en el suavizante de agua y en el sistema de plomería, complete los siguientes pasos en orden:

1. Abra totalmente dos o más grifos de agua fría suavizada cerca del suavizante de agua, ubicado más abajo con relación al flujo desde el suavizante de agua.
2. Coloque la válvula de desviación (simple o de 3 válvulas) en la posición de "desviación". (Vea las Figuras en la Página 10).
3. Lentamente abra la válvula principal de suministro de agua. Deje correr al agua hasta que haya un flujo parejo en los grifos abiertos, sin burbujas de aire.
4. Coloque la válvula(s) de desviación en la posición "servicio" o en agua suave como se indica:
 - Válvula de desviación simple (Figura 4): Lentamente mueva el vástago de la válvula hacia "servicio", haciendo varias pausas para permitir que el suavizante de agua se llene de agua.
 - Desviación de 3 válvulas (Figura 5): Cierre totalmente la válvula de desviación y abra la válvula de salida.
5. Luego de unos tres minutos, abra un grifo de agua caliente hasta que haya un flujo parejo y no hayan burbujas de aire; luego cierre este grifo.
6. Cierre todos los grifos de agua fría y controle que no haya goteos en las conexiones de plomería que realizó.
7. Controle que no haya goteos alrededor de los sujetadores en la entrada y salida del suavizante. Si hay una pérdida en un sujetador, despresurice la plomería (cierre el suministro de agua y abra los grifos) antes de retirar el sujetador. Al retirar los sujetadores de la entrada y salida del suavizante, presione el cuerpo de la válvula de desviación simple hacia el suavizante (Vea la Figura 13). Un retiro inadecuado podrá dañar los sujetadores. No vuelva a instalar los sujetadores dañados.

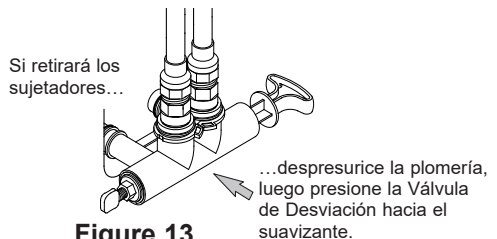


Figure 13

Instrucciones de Instalación

AGREGUE AGUA Y SAL AL TANQUE DE ALMACENAMIENTO DE SAL

⚠ ADVERTENCIA

RIESGO DE PESO EXCESIVO: Cuento con la ayuda de dos o más personas para mover e instalar las bolsas de sal. Si esto no se cumple, se podrán producir lesiones de espalda u otras lesiones.

1. Utilizando un envase, agregue alrededor de tres galones de agua potable en el tanque de almacenamiento de sal.
2. Agregue sal al tanque de almacenamiento. Use pepitas, bolitas o sal solar gruesa con menos del 1% de impurezas.

ENCHUFE EL SUAVIZANTE DE AGUA

1. Enchufe el suavizante de agua en un tomacorriente eléctrico que no esté controlado por un interruptor.
2. Reemplace la tapa superior.
3. Reemplace la tapa del agujero de sal.

NOTA: El calentador de agua está lleno con agua dura y, a medida que se use agua caliente, se volverá a llenar con agua acondicionada. En unos pocos días, el agua caliente estará completamente acondicionada. Para poder contar con agua caliente acondicionada de forma inmediata, espere hasta que la recarga inicial esté terminada. Luego, drene el calentador de agua (siguiendo instrucciones para el calentador de agua), hasta que el agua se enfríe.

⚠ ADVERTENCIA

Descarte todas las piezas sin uso y materiales de embalaje luego de la instalación. Las pequeñas partes restantes luego de la instalación podrían ocasionar riesgo de obstrucción.

DESINFECTE EL SUAVIZANTE DE AGUA/ DESINFECTE LUEGO DEL SERVICIO

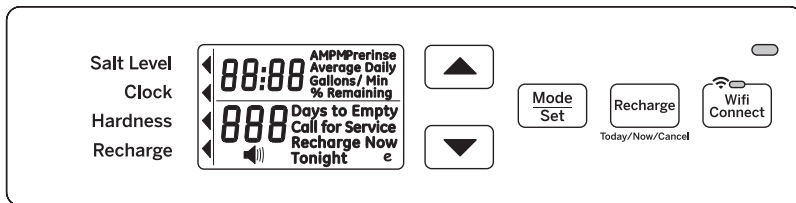
1. Abra la tapa del agujero de sal, retire la tapa del pozo de salmuera y vierta alrededor de 3 oz. (6 cucharones) de blanqueador de hogar en el pozo de salmuera del suavizante. Reemplace la tapa del pozo de salmuera.
2. Asegúrese de que la válvula(s) de desviación esté en la posición de “servicio” (abierta).
3. Comience una recarga (regeneración) del siguiente modo:

Mantenga presionado el botón **RECHARGE** (Recarga) por tres segundos, hasta que “RECHARGE NOW” (Recargar Ahora) comience a parpadear en la pantalla, iniciando la recarga. Esta recarga aplica el blanqueador desinfectante o la salmuera a través del suavizante de agua. Cualquier resto de aire en el suavizante de agua es purgado en el drenaje. Durante este tiempo, controle periódicamente que no haya goteos.

NOTA: Al igual que con otras aplicaciones del sistema de agua, se pueden producir goteos. Es posible que los goteos no se vean de forma inmediata. Vuelva a hacer un control 24 horas después de que el primer ciclo de recarga esté completo.

4. Una vez completada la recarga, abra totalmente un grifo de agua fría, haga que corra el agua desde el suavizante, y deje que 50 galones corran a través del sistema. Esto debería tomar por lo menos 20 minutos. Cierre el grifo.

Programación del Suavizante de Agua



Cuando el transformador está enchufado en el tomacorriente eléctrico, un código de modelo y número de evaluación (ejemplo: y4.1 y H40) aparecen en la pantalla. Luego, "12:00 PM" comienza a titilar. Una flecha ◀ aparece junto a **CLOCK (Reloj)** en la calcomanía de la placa.

FUNCIONAMIENTO DEL CONTROL:

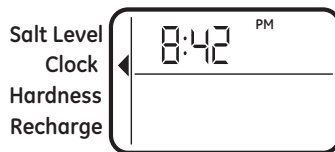
• CONFIGURACIONES DE CONTROL

REQUERIDAS en la instalación inicial y luego de un corte de corriente prolongado.

- Use el botón **MODE/SET (Modo/ Configuración)** para mover la flecha a la configuración de la función del control deseada.
- Una vez seleccionado el modo, use los botones UP (Arriba) ▲ y DOWN (Abajo) ▼ para cambiar las configuraciones del control.
- Presione el botón **MODE/SET (Modo/ Configuración)** para aceptar los cambios.
- Un "pitido" suena al presionar los botones para la programación del control. Un pitido señala un cambio en la pantalla de control. Pitidos repetidos indican que el control no aceptará un cambio desde el botón que presionó, y que debería seleccionar otro botón.

CONFIGURE LA HORA DEL DÍA

1. Presione el botón **MODE/SET (Modo/ Configuración)** hasta que la flecha ◀ apunte a **CLOCK (Reloj)**.
2. Presione los botones UP (Arriba) ▲ o DOWN (Abajo) ▼ para configurar la hora actual. UP (Arriba) ▲ mueve la pantalla hacia adelante; DOWN (Abajo) ▼ configura el tiempo hacia atrás. Asegúrese de que AM y PM estén correctos.



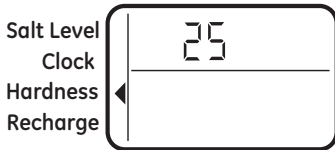
NOTA: Presione los botones y rápidamente libere para avanzar lentamente por la pantalla un número a la vez. Sostenga los botones para avanzar de forma rápida.

3. Cuando se muestre la hora correcta en la pantalla, presione **MODE/SET (Modo/ Configuración)** para aceptar.

Programación del Suavizante de Agua

CONFIGURE EL NÚMERO DE DUREZA DEL AGUA

1. Presione el botón **MODE/SET (Modo/ Configuración)** hasta que la flecha ◀ apunte a **HARDNESS (Dureza)**. Un 25 titilante aparecerá en la pantalla.



2. Presione los botones UP (Arriba) ▲ o DOWN (Abajo) ▼ para configurar el número de dureza del agua.

NOTA: Si el suministro de agua contiene hierro, compense el mismo valor numérico a la dureza del agua. Por ejemplo: suponga que el agua tiene una dureza de 20 gpg y que contiene hierro de 2ppm. Agregue 5 al número de dureza por cada 1 ppm o hierro. En este ejemplo: el número de dureza que usaría es 30.

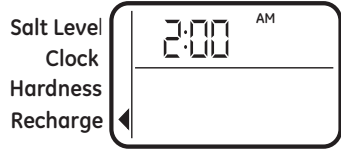
$$20 \text{ gpg hardness} \\ 2 \text{ ppm iron} \times 5 = 10 \quad \frac{+10}{30 \text{ HARDNESS NUMBER}} \\ \text{(times)}$$

3. Cuando la pantalla muestre la dureza del agua (en granos por galón), presione **MODE/SET (Modo/ Configuración)** para aceptar.

Puede conocer la dureza de su suministro de agua en granos por galón (gpg) a través de un laboratorio de análisis del agua. Si recibe un suministro municipal, comuníquese a su departamento de agua local. O llame a Legend Technical Services (Servicios Técnicos Legend), un laboratorio independiente, para solicitar un kit de evaluación de la dureza del agua al 1.800.949.8220, Opción 4. Si su informe muestra una dureza en partes por millón (ppm) o miligramos por litro (mg/l), simplemente divida esto por 17.1 para obtener el número equivalente en granos por galón.

CONFIGURACIÓN DEL TIEMPO (INICIAL) DE RECARGA

1. Presione el botón **MODE/SET (Modo/ Configuración)** hasta que la flecha ◀ apunte a **RECHARGE (Recargar)**.



NOTA: En la pantalla se debería visualizar 2:00 AM titilando (por omisión de fábrica). Éste es un buen momento para que la recarga se inicie (toma aproximadamente 2 horas) en la mayoría de los hogares, porque el agua no está en uso. El AGUA DURA es desviada a los grifos de la casa durante la recarga.

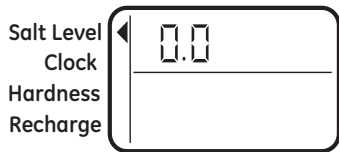
Si no es necesario ningún cambio, vaya al paso

3. Para cambiar el tiempo de inicio de la recarga, siga el paso 2.
2. Presione el botón UP (Arriba) ▲ o DOWN (Abajo) ▼ para configurar el tiempo de recarga inicial deseado. Asegúrese de observar el AM o PM como hizo al configurar la hora del día.
3. Presione el botón **MODE/SET (Modo/ Configuración)** para aceptar.

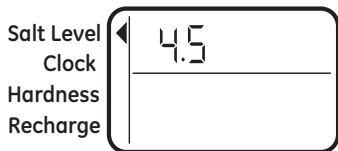
Programación del Suavizante de Agua

CONFIGURE EL NIVEL DE SAL

1. Presione el botón **MODE/SET** (Modo/ Configuración) hasta que la flecha ◀ apunte a **SALT LEVEL (Nivel de Sal)**.



2. Determine el nivel de sal en el tanque de salmuera usando la escala numerada al costado del pozo de salmuera, dentro del tanque de salmuera (vea la Figura 14).
3. Presione **UP** (Arriba) ▲ o **DOWN** (Abajo) ▼ para configurar el **NIVEL DE SAL**, de modo que coincida con el nivel de la escala numérica del tanque de salmuera.



NOTA: Cada vez que se presiona un botón se cambia el nivel por incrementos de 0.5 hasta 8.0. Ajustar el nivel de sal por debajo de cero hace que el indicador de **SALT LEVEL (Nivel de Sal)** quede en OFF (Apagado).

4. Presione el botón **MODE/SET (Modo/ Configuración)** para aceptar. La pantalla muestra el hora actual del día y **DAYS TO EMPTY (Días Hasta Vaciar)**.

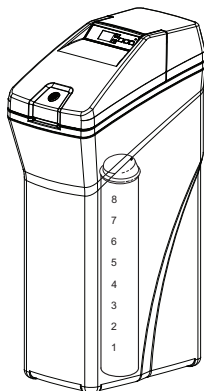
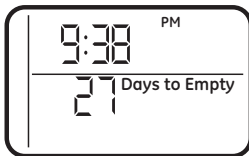
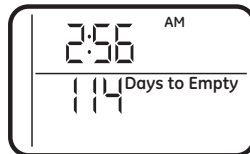


Figura 14



DÍAS HASTA VACIARSE

Las palabras **DAYS TO EMPTY (DÍAS HASTA VACIARSE)** y un número se muestran en la mitad inferior de la pantalla. Esta información aparece en el funcionamiento normal de la pantalla. Es para informar al usuario el número de días antes de que el nivel de sal en el tanque de salmuera alcance el Nivel 0. Quedará sal en el tanque de sal, pero no será suficiente para recargar completamente el sistema. La sal se debería agregar en este momento para evitar la formación de agua dura. El valor es actualizado diariamente y siempre que el valor de **SALT LEVEL (Nivel de Sal)** cambie.



NOTA: Durante las primeras semanas de funcionamiento, **DAYS TO EMPTY (Días Hasta Vaciar)** podrá tener un funcionamiento errático. Por ejemplo: la luz Indicadora azul podrá titilar, mostrando que se necesita más sal cuando el nivel de sal real en el tanque está muy por encima del Nivel 0. En algunos casos, **DAYS TO EMPTY (Días Hasta Vaciar)** podrá incluso incrementarse durante un período de varias semanas.

El suavizante de agua tarda un par de meses en incorporar su patrón de uso del agua. Una vez que hace esto, determina de forma precisa el patrón de uso de sal real. Durante este primer período, controle el nivel de sal cuando la luz azul indicadora titile. Si el nivel de sal en el tanque está en el Nivel 1 o más, deje que el sistema funcione. Asegúrese de reiniciar el indicador del nivel de sal cada vez que agregue sal al sistema.

INICIE UNA RECARGA

Mantenga presionado el botón **RECHARGE (Recarga)** por tres segundos, hasta que "RECHARGE NOW" (Recargar Ahora) comience a titilar en la pantalla, iniciando la recarga. Esta recarga aplica el blanqueador desinfectante a través del suavizante de agua. Cualquier resto de aire en el suavizante de agua es purgado en el drenaje. Durante este tiempo, controle periódicamente que no haya goteos.

NOTA: Al igual que con otras aplicaciones del sistema de agua, se pueden producir goteos. Es posible que los goteos no se vean de forma inmediata. Vuelva a hacer un control 24 horas después de que el primer ciclo de recarga esté completo.

Comunicación con el Electrodoméstico: WiFi Connect

(Para clientes en Estados Unidos, sus Territorios, y Canadá)

- La comunicación WiFi requiere conectividad WiFi y corriente eléctrica en la ubicación del suavizante. La conectividad de la aplicación no funcionará en caso de que cualquiera de ambas falle. (Controle ambas antes de que el sistema se encuentre completamente instalado).
- La aplicación requiere de un teléfono inteligente con servicio para recibir notificaciones.
- La aplicación brinda alertas, pero requiere que el usuario responda para cerrar el agua.
- El sistema no es capaz de detectar todas las pequeñas pérdidas, y no puede cerrar las pérdidas entre el sistema y la válvula de cierre.

Connected Appliance Information	
FCC: ZKJ-WCATA001	Network: GE_XXXXXX_XXXX
IC: 10229A-WCATA001	Password: XXXXXXXX
MAC ID: XX - XX - XX - XX - XX - XX	PT. NO. 229C6272G001-0

Sample Label

Si su Suavizante de Agua cuenta con la función WiFi Connect de GE Appliances, el producto contará con una tarjeta de comunicación WiFi incorporada que permitirá la comunicación con su teléfono inteligente para el monitoreo remoto, el control y las notificaciones.

Para realizar la conexión con su suavizante, por favor visite GEAppliances.com/connect para aprender sobre cómo conectar su electrodoméstico a su teléfono inteligente usando la etiqueta ubicada dentro del suavizante y aprenda sobre las funciones de su aplicación tales como 1) Monitoreo del uso del agua 2) Alerta por bajo nivel de sal 3) Alertas por flujo continuo de agua 4) Válvula de cierre de agua remota.

Conectividad WiFi: Para solicitar asistencia en relación a la conectividad de su red de electrodomésticos, por favor comuníquese con GE Appliances al (800) 220-6899.

Este dispositivo cumple con la Parte 15 de las Normativas de la FCC. Su funcionamiento está sujeto a las dos condiciones siguientes:

1. Este dispositivo no podrá causar interferencias perjudiciales, y
2. Este dispositivo tolera cualquier interferencia recibida, incluidas las interferencias que puedan provocar un funcionamiento no deseado. Este equipo ha sido probado y cumple con los límites establecidos para un dispositivo digital de clase B, según la parte 15 de las Normativas de la FCC. Estos límites han sido diseñados para ofrecer una protección razonable contra interferencias perjudiciales en la instalación residencial. Este equipo genera, usa y puede emitir energía de radiofrecuencia y, si no se instala y utiliza de acuerdo con las instrucciones, puede ocasionar interferencias perjudiciales para las comunicaciones de radio. Sin embargo, no se garantiza que no se presenten interferencias en una instalación en particular. Si este equipo provoca interferencias perjudiciales para la recepción de radio o televisión, lo cual se puede comprobar encendiendo y apagando el mismo, se aconseja al usuario intentar corregir la interferencia a través de una de las siguientes medidas:

- Reoriente o reubique la antena receptora.
- Aumente la separación entre el equipo y el receptor.
- Conecte el equipo a un tomacorriente de un circuito diferente del tomacorriente al que se encuentra conectado el receptor.
- Consulte al proveedor minorista o a un técnico experimentado de radio/ TV.

Etiqueta de Clasificación: Los cambios o modificaciones sobre esta unidad no aprobados expresamente por el fabricante podrán anular la autoridad del usuario para utilizar el equipo.

Programación del Suavizante de Agua

CONFIGURACIONES OPCIONALES DEL CONTROL

La pantalla del controlador cuenta con varias opciones y funciones.

ALARMA DE SAL BAJA

Una vez activada **LOW SALT ALARM** (Alarma de Sal Baja), sonará el pitido cuando el valor de **DAYS TO EMPTY** (Días Hasta Vaciar) sea de 15 días o menos. Para cambiar esta configuración, mantenga presionado el botón **MODE/SET** (Modo/ Configuración) durante unos 3 segundos o escuche el pitido. **ON** (Encendido) (por omisión de fábrica) u **OFF** (Apagado) titilarán en la pantalla. Presione los botones **UP** (Arriba) - o **DOWN** (Abajo) - para pasar esta función de **ON** (Encendido) a **OFF** (Apagado). Presione el botón **MODE/SET** (Modo/ Configuración) para aceptar, y la pantalla pasará a **SALT EFFICIENCY** (Eficiencia de la Sal).



SALT EFFICIENCY (EFICIENCIA DE LA SAL)

Cuando la función **SALT EFFICIENCY** (Eficiencia de la Sal) esté en **ON** (Encendido), la unidad funcionará en un nivel de eficiencia de sal de 4000 granos de dureza eliminada por libra de sal. Este modo de funcionamiento es la configuración más eficiente para el uso de sal, ya que el sistema tenderá a recargarse con mayor frecuencia, con menor uso de sal. Dejar la función en **OFF** (Apagado) tenderá a alargar el tiempo entre los ciclos de recarga, lo cual brindará el uso más eficiente del agua, pero es posible que se use más sal. El grado de diferencia entre estos dos ciclos es altamente dependiente del uso y el nivel de dureza del agua en una instalación particular.

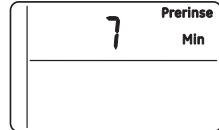
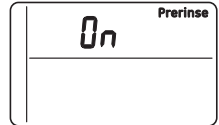


NOTA: Las Regulaciones de California requieren que esta función esté en **ON** (Encendido) para las instalaciones en este Estado.

Para cambiar la configuración, presione los botones **UP** (Arriba) - o **DOWN** (Abajo) - para pasar esta función de **ON** (Encendido) a **OFF** (Apagado). Presione el botón **MODE/SET** (Modo/ Configuración) para aceptar, y la pantalla pasará a **PRERINSE ON/ OFF** (Pre Enjuague Encendido/ Apagado).

PRERINSE (PRE ENJUAGUE)

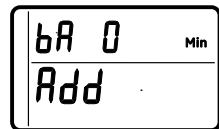
Si el agua contiene sedimentos, la función de pre enjuague eliminará los sedimentos del fondo de resina antes de la regeneración. Presione los botones **UP** (Arriba) - o **DOWN** (Abajo) - para encender o apagar la función de pre enjuague. Presione el botón **MODE/SET** (Modo/ Configuración) para aceptar, y la pantalla pasará a **PRERINSE TIME** (Tiempo de Pre Enjuague Encendido/ Apagado). En esta pantalla, puede ajustar la duración del pre enjuague, en minutos, presionando los botones **UP** (Arriba) - o **DOWN** (Abajo) -. Presione el botón **MODE/SET** (Modo/ Configuración) para aceptar, y la pantalla pasará a **ADD BACKWASH TIME** (Agregar Tiempo de Lavado Regresivo).



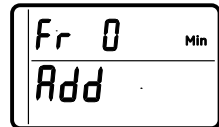
LAVADO REGRESIVO Y ENJUAGUE RÁPIDO

Si siente que el sabor del agua es salado luego de la regeneración, es posible que necesite incrementar los tiempos del lavado regresivo y de enjuague rápido. Los tiempos de los ciclos durante las regeneraciones son determinados por el controlador electrónico del suavizante. Sin embargo, puede incrementar los tiempos del lavado regresivo y enjuague rápido. Puede agregar hasta 10 minutos.

Para Backwash (Lavado Regresivo), puede agregar hasta 10 minutos por incrementos de 1 minuto, presionando el botón **UP** (Arriba) -, o restar tiempo presionando el botón **DOWN** (Abajo) -.



Para Fast Rinse (Enjuague Rápido), presione el botón **MODE/SET** (Modo/ Configuración) y la pantalla pasará a la función **ADD FAST RINSE TIME** (Agregar Tiempo de Enjuague Rápido). Puede agregar hasta 10 minutos por incrementos de 1 minuto, presionando el botón **UP** (Arriba) -, o restar tiempo presionando el botón **DOWN** (Abajo) -. Presione el botón **MODE/SET** (Modo/ Configuración) para aceptar, y la pantalla se moverá a **Run Display** (Mover Pantalla).



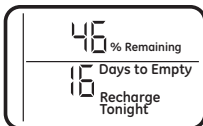
Programación del Suavizante de Agua

FUNCIÓN: PANTALLA DE OTROS DATOS

Estos modelos tienen una opción para que la pantalla indique información diferente. La información mostrada en la mitad superior de la pantalla puede ser modificada a una de las siguientes presionando los botones UP (Arriba) ▲ o DOWN (Abajo) ▼:

• CAPACIDAD RESTANTE

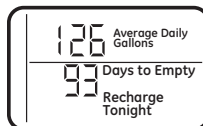
– Éste es el porcentaje de capacidad restante para suavizar el agua. De forma inmediata luego de una regeneración, se muestra el 100%. A medida que se usa el agua, el porcentaje se reducirá hasta la siguiente regeneración. Durante las regeneraciones, el porcentaje se incrementa hacia arriba.



Cuando se muestre el tiempo presente, presione el botón DOWN (Abajo) ▼; % Remaining (% Restante) aparecerá en la pantalla. El valor mostrado está entre 0 y 100 por ciento. El valor se basa en la capacidad de funcionamiento actual. Presionar el botón UP (Arriba) ▲ hará que se regrese a la pantalla anterior.

• PROMEDIO DE GALONES DIARIOS

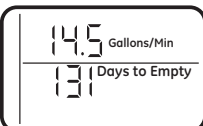
– La figura mostrada es el promedio de galones de agua usados en el hogar cada día durante el período de los últimos siete días.



Presione el botón DOWN (Abajo) ▼ nuevamente para mostrar Average Daily Gallons (Promedio de Galones Diarios). **Average Daily Gallons (Promedio de Galones Diarios)** aparecerá en la pantalla. Este valor es actualizado cada día a medianoche. Presionar el botón UP (Arriba) ▲ button will return the screen to the previous display.

• ÍNDICE DE FLUJO, GPM

– Al usar agua suave, esta pantalla muestra el índice de flujo que pasa por el suavizante (en galones por minuto). Cero muestra si el agua no está pasando por el suavizante.



Presione el botón DOWN (Abajo) ▼ nuevamente para mostrar el índice de flujo. Gallons/Min (Galones/ Min.) aparecerá en la pantalla. Este valor es actualizado cada 1/2 segundo. Presionar el botón UP (Arriba) ▲ button will return the screen to the previous display. hará que se regrese a la pantalla anterior. Presionar el botón DOWN (Abajo) ▼ hará

que se regrese a la pantalla del tiempo actual.

REAJUSTE A FALTA DE FÁBRICA

Para reiniciar el controlador electrónico de todas las configuraciones al ajuste de fábrica por omisión (hora, dureza, etc.)

1. Mantenga presionado el botón **MODE/SET (Modo/ Configuración)** hasta que la pantalla cambie dos veces y muestre el código del modo titilante.
2. Presione el botón UP (Arriba) ▲ para mostrar un "SoS" titilante.



3. Presione el botón **MODE/SET (Modo/ Configuración)** y el controlador electrónico se reiniciará.
4. Configure la hora actual, la dureza, etc., según se describe en la sección de Programación del Suavizante de Agua.

Programación del Suavizante de Agua

MEMORIA POR CORTE DE CORRIENTE

Si se corta la corriente del suavizante de agua, la “memoria” incorporada en los circuitos del temporizador mantendrán todas las configuraciones durante hasta 24 horas. Mientras la corriente esté cortada, la pantalla quedará en blanco y el suavizante de agua no se regenerará. Cuando la corriente eléctrica sea restablecida, ocurrirá lo siguiente.

Reinicie la hora actual sólo si la pantalla está titilando. **HARDNESS (Dureza)** y **RECHARGE TIME (Temporizador de Recarga)** nunca requieren una reconfiguración, a menos que se desee hacer una modificación. Incluso aunque el reloj esté incorrecto luego de un corte de corriente prolongado, el suavizante funciona como debería para mantener el agua suave. Sin embargo, las regeneraciones se podrán producir en la hora del día equivocada hasta que reinicie el reloj en la hora correcta del día.

NOTA: Si el suavizante de agua se estaba regenerando cuando se produjo el corte de corriente, ahora finalizará el ciclo.

LUZ AZUL INDICADORA

La luz azul pareja indica que la unidad está funcionando correctamente. La luz titila cuando la unidad necesita atención por parte del usuario.

- La luz también titilará hasta que el encendido se haya interrumpido. Controle la configuración de **PRESENT TIME (Hora Actual)**.
- La luz titila y **DAYS TO EMPTY (Días Hasta Vaciar)** titila – controle el nivel de sal y agregue sal según se requiera.
- La luz titila y **Err** aparece en la pantalla – problema eléctrico con el sistema.

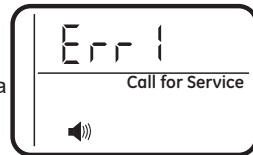
SEÑAL DE NIVEL DE SAL BAJO

Cuando la función **DAYS TO EMPTY (Días Hasta Vaciar)** cae a 15, la luz azul indicadora y **DAYS TO EMPTY (Días Hasta vaciarse)** en la pantalla titilarán cada un segundo y la alarma emitirá un pitido cada 30 segundos (de 8:00 AM a 8:00 PM), a fin de notificar al usuario que la unidad está funcionando con un nivel de sal bajo. Tan pronto como se presione cualquier botón, la alarma dejará de sonar. La luz azul indicadora y **DAYS TO EMPTY (Días Hasta Vaciar)** continuarán titilando. Una vez que se agregue sal al tanque de salmuera y **SALT LEVEL (Nivel de Sal)** sea reiniciado, la función **DAYS TO EMPTY (Días Hasta Vaciar)** será reiniciada.

SEÑALES DE ERROR

Si se detecta un código de error, la luz azul indicadora titilará 4 veces por segundo, en la pantalla titilará **Err** y la alarma sonará cada 30 segundos (de 8:00 AM a 8:00 PM) para señalar que el suavizante requiere el servicio. La alarma se puede apagar presionando cualquier botón, pero la luz azul indicadora y la pantalla continuarán titilando.

Desconecte el transformador del tomacorriente de pared de forma momentánea, y vuelva a conectar el mismo. Aparecerá la pantalla normal. El motor podrá funcionar por varios minutos, a medida que la unidad se reinicia. Si el problema no es corregido, el código de error volverá a aparecer en 8 minutos. Si se visualiza **Err 6, 7 u 8**, se podrá borrar presionando la función para recargar durante 5 segundos. Consulte la sección **Antes de Llamar al Servicio Técnico** para recibir asistencia sobre la solución de problemas con el suavizante de agua.



Cuidado y limpieza

AJUSTE DE LA DUREZA DEL AGUA

La perilla de ajuste de mezcla (Figura 15) le da la posibilidad de ajustar finamente la dureza del agua tratada, dejando el suavizante de agua. Si se desea un agua un poco más dura que aquella normalmente provista por el suavizante de agua, la perilla de ajuste de mezcla puede desviar un pequeño flujo de agua dura y mezclar ésta con el agua suave que entra al hogar. La cantidad de agua desviada es controlada girando una perilla de ajuste de mezcla en la tapa de la caña de la válvula.

NOTA: Para obtener el rendimiento completo del suavizante de agua, deje la válvula de mezcla en la posición cerrada configurada de fábrica.

Para hacer ajustes sobre la dureza del agua:

1. Sostenga la manija de desviación para evitar que la caña de la válvula rote (lea la figura 16). Afloje la tuerca hexagonal en la perilla de ajuste de mezcla girando la tuerca hexagonal en contra de las agujas del reloj.
2. **PARA INCREMENTAR LA DUREZA:** Con la desviación en la posición del servicio (lea la figura 16), sostenga la manija para evitar que la caña de la válvula rote, y gire la perilla de ajuste de mezcla en contra de las agujas del reloj hasta 2 vueltas desde la posición cerrada. Se recomienda hacer ajustes por incrementos de un cuarto durante varias semanas, hasta que se logre el nivel de dureza deseado. **NOTA:** Una vez que se realiza un ajuste sobre la perilla de la válvula de mezcla, es posible que lleve varios días observar el cambio en la dureza del agua en los grifos o las flores del hogar. Esta demora se debe a las grandes cantidades de agua ya acondicionada en las tuberías y el calentador de agua, que se debe cambiar antes de que se observe una modificación en la dureza. Solicite que se evalúe el agua para determinar su nivel de dureza.
3. **PARA REDUCIR LA DUREZA:** Con la desviación en la posición del servicio (vea la figura 16), sostenga la manija para evitar que la caña de la válvula rote, y gire la perilla de ajuste de mezcla a favor de las agujas del reloj. Cuando la perilla ya no gire, el agua dura ya no se está mezclando en el agua suave.

4. Una vez que se logre la dureza deseada, ajuste una tuerca hexagonal (vea la figura 16) en dirección de las agujas del reloj, hasta que entre en contacto con la caña de desviación.

NOTA: Para cumplir con las especificaciones de rendimiento del suavizante de agua y los reclamos sobre la reducción de bario y radio, la función

de ajuste de la dureza se deberá mantener en la posición "OFF" (Cerrada). La posición cerrada se logra cuando la perilla de ajuste de mezcla se rota completamente en dirección de las agujas del reloj hasta que se detiene.

POSICIÓN DEL SERVICIO (Funcionamiento Normal del Suavizante)

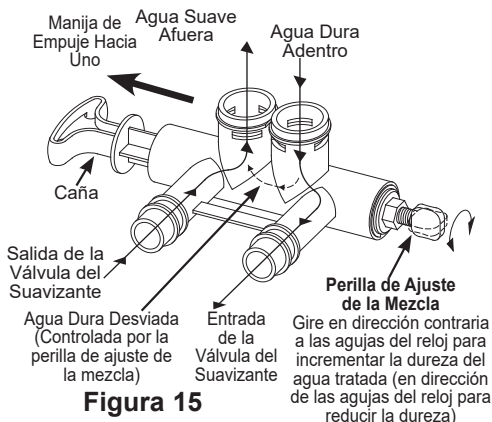


Figura 15

POSICIÓN DE LA DESVIACIÓN

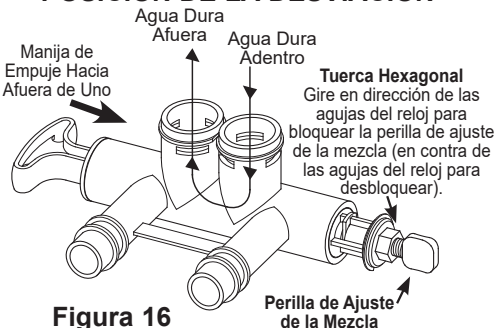


Figura 16

Si usará el suavizante de agua, gire a favor de las agujas del reloj tanto como se pueda.

⚠ PRECAUCIÓN

Si el suavizante de agua será reparado o desconectado de la válvula de desviación, la perilla de ajuste de la mezcla deberá ser girada completamente en dirección de las agujas del reloj para cerrar el camino de desviación y evitar goteos de agua de la entrada de la desviación de la válvula del suavizante .

Cuidado y limpieza

CONTROL DEL NIVEL DE ALMACENAMIENTO DE SAL y RECARGA

La salmuera (sal disuelta en agua) es necesaria en cada recarga. El agua para hacer salmuera es medida en el área de almacenamiento de sal por la válvula del sistema suavizante de agua y el control. **Sin embargo, se deberá mantener el tanque suministrado con sal.**

AGREGADO DE SAL

Levante la tapa del agujero de sal y controle el nivel de almacenamiento de sal de forma frecuente. Si el suavizante de agua usa toda la sal antes de recargar la misma, obtendrá agua dura. Hasta que haya establecido una rutina de recarga, controle la sal cada dos o tres semanas. Siempre agregue sal cuando la cantidad sea inferior a $\frac{1}{4}$. Asegúrese de que la tapa del pozo de salmuera esté colocada.

NOTA: Si usará cloruro de potasio (KCl), no supere el nivel 4 de la etiqueta del pozo de salmuera.

NOTA: En áreas húmedas, es mejor mantener el nivel de almacenamiento de sal bajo, y hacer recargas más frecuentes para evitar "puentes" de sal.

Sal Recomendada: Pepitas, bolitas o sal solar gruesa con menos del 1% de impurezas.

Sal No Recomendada: Sal en roca, alta en impurezas, en bloque, granulada de mesa, derretida en hielo, para hacer helado, etc.

⚠ PRECAUCIÓN

Sal para suavizante de agua con aditivos para eliminar hierro:

Algunas sales cuentan con un aditivo para ayudar al sistema suavizante de agua a eliminar el hierro del suministro de agua. Aunque este aditivo puede ayudar a mantener limpia la resina del sistema suavizante de agua, también puede liberar gases corrosivos que debilitan y acortan la vida útil de algunas partes del sistema suavizante de agua.

LIMPIEZA DEL HIERRO DEL SISTEMA SUAVIZANTE DE AGUA

Su sistema suavizante de agua elimina los minerales duros (calcio y magnesio) del agua. Además, puede controlar parte (lea la sección de Pautas de Especificación) del hierro del "agua potable". Con el hierro del agua potable, el agua de un grifo es potable cuando se coloca por primera vez en un vaso. Luego de entre 15 y 30 minutos, el agua comienza a enturbiarse o tomar un color óxido. Un sistema suavizante de agua **no** eliminará ningún hierro que enturbie el agua o la oxide al salir del grifo (llamado hierro de agua roja). Para quitar el hierro del agua roja del agua, o el máximo de hierro del agua potable, es necesario un filtro de hierro u otro equipamiento.

GE Appliances recomienda el uso de **Super Iron Out®** para limpiar el lecho de resina si el contenido de hierro es alto. Use **Super Iron Out®** con cada bolsa de sal de 40 lb. como medida preventiva contra la acumulación de óxido. Limpie el lecho por lo menos cada seis meses, o con mayor frecuencia si aparece hierro en el agua blanda entre limpiezas.

IMPORTANTE: Es importante mezclar el limpiador del fondo de resina con agua (siguiendo las instrucciones del fabricante), verter la misma en el **pozo de salmuera** (vea la Figura 9) y recargar el suavizante de forma inmediata. No vierta el limpiador del fondo de resina con la sal, ya que no será tan efectivo en la limpieza de la resina, y podrá ocasionar daños al suavizante si se deja en el tanque de salmuera por un período extendido debido a los gases corrosivos que se forman.

Rutina de Mantenimiento

LIMPIEZA DEL ENSAMBLE DE LA BOQUILLA Y EL VENTURI

Una limpieza de la boquilla y el venturi es necesaria para que el sistema suavizante de agua esté en el ciclo del servicio (sin presión de agua en la boquilla y el venturi). Luego, mientras sostiene la caja protectora de la boquilla y el venturi con una mano, retire la tapa. Levante el soporte y la pantalla, y luego la boquilla y el venturi. Lave y enjuague las piezas con agua tibia hasta que estén limpias. De ser necesario, use un pincel pequeño para retirar el hierro o la suciedad. También controle y limpie la junta.

Para llegar a la boquilla y el venturi, retire la tapa superior del sistema suavizante de agua. Asegúrese de que el sistema suavizante de agua esté en el ciclo del servicio (sin presión de agua en la boquilla y el venturi). Luego, mientras sostiene la caja protectora de la boquilla y el venturi con una mano, retire la tapa. Levante el soporte y la pantalla, y luego la boquilla y el venturi. Lave y enjuague las piezas con agua tibia hasta que estén limpias. De ser necesario, use un pincel pequeño para retirar el hierro o la suciedad. También controle y limpie la junta.

NOTA: Algunos modelos cuentan con un enchufe de flujo pequeño ubicado en la boquilla y el venturi, y/o una pequeña pantalla con forma cónica en la caja protectora. Asegúrese de controlar y limpiar estas partes, si su modelo cuenta con este equipamiento.

Con cuidado, reemplace todas las piezas en el orden correcto. Levemente lubrique el sello del anillo o con grasa de silicona limpia o vaselina y coloque el mismo en su posición. **Instale y ajuste la tapa, sólo en forma manual. No ajuste la tapa en exceso.**

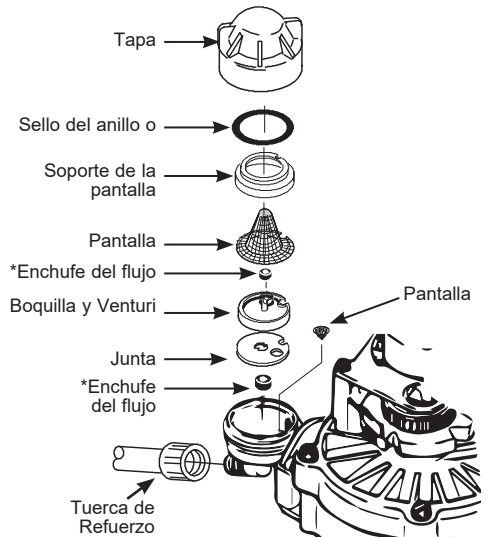
ROTURA DE UN PUEBTE DE SAL

A veces se forma una costra dura o un puente de sal en el área de almacenamiento de sal. Normalmente es causada por el alto nivel de humedad o un tipo de sal inadecuado. Cuando se forman puentes de sal, se genera un espacio vacío entre el agua y la sal. Luego la sal no se disuelve en el agua para formar salmuera.

Si el tanque de salmuera está lleno de sal, es difícil decir si se formó un puente de sal. La sal está floja en la parte superior, pero el puente está debajo de ésta. La siguiente es la mejor forma de controlar la formación de un puente de sal.

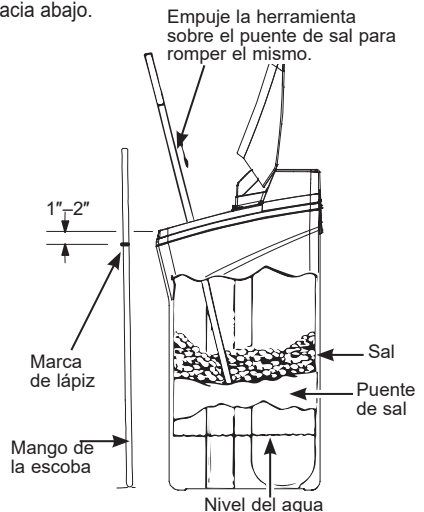
La sal debería estar suelta hasta el fondo del tanque. Tome un mango de escoba o una herramienta similar, y con cuidado empuje la misma en la sal, trabajando hacia arriba y abajo. Si la herramienta golpea un objeto duro (asegúrese de que no sea la parte inferior ni los costados del tanque), es muy probable que sea un puente de sal. Con cuidado rompa el puente con la herramienta. No golpee las paredes del tanque. Para ayudar a disolver el puente de sal, vierta un galón de agua tibia (no caliente) en el tanque.

Si el puente se formó con el tipo de sal inadecuado, retírelo. Luego llene el tanque con sal en pepitas o bolitas únicamente. En áreas húmedas, es mejor llenar el tanque con menos sal, con mayor frecuencia para evitar la formación de un puente de sal.



IMPORTANTE: Asegúrese de que los pequeños agujeros de la junta estén centrados directamente sobre los agujeros pequeños en la caja protectora de la boquilla y el venturi.

*Instale con el lado numerado hacia arriba, y el lado cóncavo hacia abajo.



Antes de solicitar el servicio técnico

¡Los Consejos para la Solución de Problemas le Permiten Ahorrar tiempo y dinero! Lea primero el cuadro que aparece en esta página y es posible que no necesite solicitar el servicio técnico.

NO HAY AGUA SUAVE – Problemas Más Comunes:

Realice el control antes de llamar al servicio técnico:

- No hay suficiente sal – deberá estar en por lo menos 1/3.
- Válvula de desviación en la posición “Desviación” – la manija debería estar en la posición “OUT” (Fuera) (servicio).
- Configuración de dureza demasiado baja. Controle la configuración de la dureza y haga un ajuste. Verifique la dureza del agua suministrada - de la empresa de agua local, evaluación del agua o llame a GE Appliances Answer Center (800-952-5039 en EE.UU.).
- Puente de Sal – la sal se solidifica sobre el nivel del agua de modo que el agua con salmuera no entre en contacto con la sal. Consulte la sección Rotura de un Puente de Sal.

Problema	Causa Posible	Qué hacer
No hay agua suave	El grifo o el accesorio donde la muestra fue tomada no cuenta con el sistema suavizante de agua. <i>NOTA:</i> Asegúrese de que la muestra sea de un grifo que no mezcla agua suave y agua dura. Por ejemplo: un grifo de cocina de una palanca, si el lado frío está conectado para agua dura.	<ul style="list-style-type: none"> • Para conservar la sal, es posible que el instalador haya aislado algunos accesorios (grifos exteriores, inodoros, etc.) del agua suave. Desde la salida del sistema suavizante de agua, trace el camino del flujo de agua, en la plomería del hogar. Si el agua suave no es dirigida a un grifo o accesorio al cual se desea, consulte a un plomero.
	No hay sal en el tanque de salmuera o hay puentes de sal	<ul style="list-style-type: none"> • Controle que no haya un puente de sal o, si el tanque está vacío, vuelva a llenarlo con la sal recomendada. Presione (durante 3 segundos) el botón RECHARGE (Recarga) para comenzar una recarga de inmediato y restablecer el suministro de agua suave.
	Suministro de corriente externa desenchufado del tomacorriente de pared o el cable de corriente no está conectado al suavizante. Fusible quemado o explosión del disyuntor en el circuito al tomacorriente eléctrico. Tomacorriente eléctrico en un circuito que puede ser apagado de forma continua.	<ul style="list-style-type: none"> • Controle que no haya pérdida de corriente eléctrica en el sistema suavizante de agua, debido a cualquiera de estas condiciones y haga correcciones según sea necesario. Con el suministro de corriente restablecido, observe la pantalla de tiempo de la placa y lea la sección Programación del Control. <i>NOTA:</i> la conexión del suavizante al tomacorriente eléctrico deberá ser directa de modo que no se pueda desconectar de forma accidental.
	Válvula de desviación manual en la posición de desvío	<ul style="list-style-type: none"> • Asegúrese de que la caña de la válvula de desviación esté correctamente posicionada, con la manija en la posición OUT (Afuera).
	Válvula de mezcla en la posición abierta	<ul style="list-style-type: none"> • Gire la válvula de mezcla en favor de las agujas del reloj hasta la posición cerrada.
	La válvula de la manguera de drenaje está pinzada, obstruida, demasiado elevada o de algún modo restringida	<ul style="list-style-type: none"> • Cualquier restricción en la manguera de drenaje podrá impedir un funcionamiento correcto de la boquilla y venturi y reducir o impedir el ingreso de salmuera durante la recarga.
	Suciedad, ensamble incorrecto o daño en la boquilla y el venturi	<ul style="list-style-type: none"> • Consulte las instrucciones de Limpieza del Ensamble de la Boquilla y el Venturi. Con la presión de agua al sistema suavizante de agua cerrada, separe el ensamble de la boquilla. Inspeccione, limpie y haga reemplazos según sea necesario. Cualquier partícula(s) extraña, rayones, mellas, etc. en los pasajes pueden impedir el funcionamiento. Asegúrese de que los agujeros de la junta estén centrados sobre los agujeros de la caja protectora.

Antes de solicitar el servicio técnico

Problema	Causa Posible	Qué hacer
Agua dura a veces	Uso de agua caliente mientras el sistema suavizante de agua se está regenerando	<ul style="list-style-type: none"> Evite usar agua caliente durante la recarga del sistema suavizante de agua, ya que el calentador de agua se volverá a llenar con agua dura. Consulte la sección de Desviación del Agua Dura Durante la Recarga
	Configuración del número de control de DUREZA demasiado bajo	<ul style="list-style-type: none"> Presione el botón MODE/SET (Modo/ Configuración) hasta que la flecha señale hacia HARDNESS (Dureza). Asegúrese de que el número mostrado sea el mismo que aquel de la dureza de granos por galón real de su suministro de agua. En caso de ser necesario un cambio en la configuración, consulte la sección Programación del Control.
	Los granos de dureza en el suministro de agua se incrementaron	<ul style="list-style-type: none"> La dureza del agua puede cambiar con el paso del tiempo, especialmente con agua de pozo. Para controlar esto, solicite que el agua sea evaluada a través de un análisis de laboratorio o llame a su departamento de abastecimiento de agua local. Ajuste la configuración del número de Dureza según sea necesario.
El agua se siente resbalosa luego de la instalación del suavizante de agua	Ausencia de minerales con dureza	<ul style="list-style-type: none"> Esto es normal. La dureza del agua le da una sensación abrasiva a la cual usted se pudo haber acostumbrado. La sensación resbalosa es la sensación pura del agua suave. Consulte la sección Ajuste de la Dureza del Agua.
Suavizante de Agua sin uso de sal	El sistema suavizante de agua es una unidad de "demanda"	<ul style="list-style-type: none"> No utiliza mucha sal para la regeneración – muy eficiente.
	Posible puente de sal	<ul style="list-style-type: none"> Consulte la sección Rotura de un Puente de Sal.
	Posible atascamiento de la boquilla y el venturi	<ul style="list-style-type: none"> Consulte la sección Limpieza del Ensamble de la Boquilla y el Venturi
El agua es de color azul una vez que el suavizante de agua fue instalado	Agua ácida en la plomería de cobre	<ul style="list-style-type: none"> Solicite que el agua sea evaluada de inmediato.
El suavizante de agua no se regenera	Atascamiento del contador de la turbina	<ul style="list-style-type: none"> Para realizar los procedimientos de solución de problemas, consulte la sección de Diagnóstico de Componentes Electrónicos Iniciados Manualmente. Llame al servicio técnico.
	Cable del sensor no enchufado en el control	<ul style="list-style-type: none"> Para realizar los procedimientos de solución de problemas, consulte la sección de Diagnóstico de Componentes Electrónicos Iniciados Manualmente. Llame al servicio técnico.
	No hay corriente en la unidad	<ul style="list-style-type: none"> Controle el disyuntor o los fusibles..
	Defecto mecánico	<ul style="list-style-type: none"> Llame al servicio técnico.
Enturbiamiento en la cristalería (lavavajillas automáticos)	Combinación de agua suave y demasiado detergente	<ul style="list-style-type: none"> Esto se llama aguafuerte y es permanente. Para evitar que esto suceda, use menos detergente si cuenta con agua suave. Lave la cristalería en el ciclo más corto en que pueda quedar limpia.

Antes de solicitar el servicio técnico

Problema	Causa Posible	Qué hacer
Nivel excesivo/alto de agua en el tanque de salmuera	La válvula de la manguera de drenaje está pinzada, atascada, demasiado elevada o de algún modo restringida	<ul style="list-style-type: none"> Cualquier restricción en la manguera de drenaje podrá impedir un funcionamiento correcto de la boquilla y el venturi y reducir o impedir el ingreso de salmuera durante la recarga.
	Tuberías de drenaje conectadas juntas	<ul style="list-style-type: none"> Separe las tuberías de drenaje.
	Suciedad, ensamble incorrecto o daño en la boquilla y el venturi	<ul style="list-style-type: none"> Consulte las instrucciones de Limpieza del Ensamble de la Boquilla y el Venturi. Con la presión de agua al sistema suavizante de agua cerrada, separe el ensamble de la boquilla. Inspeccione, limpie y haga reemplazos según sea necesario. Cualquier partícula(s) extraña, rayones, mellas, etc. en los pasajes pueden impedir el funcionamiento. Asegúrese de que los agujeros de la junta estén centrados sobre los agujeros de la caja protectora.
Agua con sabor a sal o de color marrón/ amarillo luego de la instalación	Unidad no desinfectada	<ul style="list-style-type: none"> Complete los Procedimientos de Desinfección. Al completar el ciclo de recarga (aprox. 2 horas), deje correr el agua en los grifos para purgar el agua salada.
	Presión baja del agua	<p>Controle la presión:</p> <ul style="list-style-type: none"> Altura del drenaje de 8" o menos, la presión debe tener un mínimo de 20 psi. Altura del drenaje superior a 8", la presión debe tener un mínimo de 50 psi.
	Manguera de drenaje restringida	<ul style="list-style-type: none"> Limpie y vuelva a conectar la manguera. Controle que no haya vueltas en la línea de drenaje.
Agua de color marrón/ amarillo	La unidad estuvo detenida por un período de tiempo	<ul style="list-style-type: none"> Complete los Procedimientos de Desinfección.
Aparecen gotas de resina en el agua potable	Distribuidor fisurado o unidad conectada hacia atrás	<ul style="list-style-type: none"> Controle que la plomería de la Entrada y Salida del suavizante sea correcta. Llame al servicio técnico.
Sonidos que podría escuchar	Agua que corre de la unidad a un drenaje durante la recarga	<ul style="list-style-type: none"> Esto es normal.
El agua posee burbujas de aire y está turbia	Aire en el sistema luego de la instalación	<ul style="list-style-type: none"> Desaparecerá luego de correr por un período de tiempo.
La luz azul titila cuando se conecta la corriente al sistema	El control se deberá programar (es posible que haya habido un corte de corriente)	<ul style="list-style-type: none"> Consulte la sección de Programación del Control
Si "DAYS TO EMPTY" (Días Hasta Vaciar) está titilando	Nivel de sal bajo, menos de 15 días	<ul style="list-style-type: none"> Llene con sal. Reinicie el nivel de sal.

Antes de solicitar el servicio técnico

Problema	Causa Posible	Qué hacer
Códigos de Error 1, 3, 4, 5 en el Control	Es posible que el cableado se haya aflojado en el control	<ul style="list-style-type: none"> • Desenchufe el suministro de corriente externo. • Retire la tapa del control, libere los sujetadores al costado. • Controle que no haya conexiones de cables sueltos/incorrectas al tablero electrónico o interruptor. Vuelva a conectar según se requiera. • Vuelva a ensamblar la tapa del control. • Enchufe el Transformador. • Espere 8 minutos hasta que vuelva a aparecer Error Code (Código de Error). • Si vuelve a aparecer Código de Error, llame al servicio técnico.
Códigos de Error 6, 7, 8 en el Control	Problema con la válvula de cierre de agua	<ul style="list-style-type: none"> • Desenchufe el suministro de corriente externo. • Reemplace la Válvula de Cierre de Agua • Controle que no haya conexiones de cables sueltos/incorrectas al tablero electrónico. Vuelva a conectar según se requiera. • Vuelva a ensamblar la tapa del control. • Enchufe el Transformador. • Cuando el Error 6, 7 y 8 es exhibido, mantenga presionado el botón Recharge (Recarga) durante 5 minutos. • Espere 2 minutos hasta que vuelva a aparecer Error Code (Código de Error). • Si vuelve a aparecer Error Code (Código de Error), llame al servicio técnico.
Si en la pantalla se visualiza "Err"	Problema eléctrico con el sistema	<ul style="list-style-type: none"> • Llame al servicio técnico.

Solución de problemas avanzados para el servicio técnico

DIAGNÓSTICO ELECTRÓNICO AUTOMÁTICO

Este suavizante de agua cuenta con una función de auto diagnóstico del sistema eléctrico (excepto para la corriente y/o el medidor de agua). El suavizante de agua monitorea que los componentes y circuitos electrónicos funcionen correctamente. Si se produce un mal funcionamiento, se visualizará un código de error en la pantalla.



Figura 17

Mientras aparece el código de error en la pantalla, ningún botón estará en funcionamiento excepto el botón **MODE/SET (Modo/ Configuración)**. **MODE/SET (Modo/ Configuración)** continúa funcionando de modo que la persona del servicio técnico pueda realizar Diagnósticos Manuales Avanzados. Lea a continuación para aislar aún más el problema.

Procedimiento para eliminar el código de error de la pantalla:

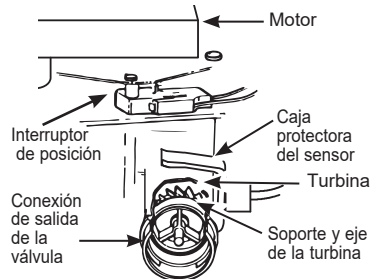
1. Desenchufe el transformador del tomacorriente eléctrico.
2. Corrija el problema.
3. Enchufe en el transformador.
4. Espere 8 minutos. El código de error se volverá a visualizar si el problema no fue corregido.

DIAGNÓSTICO ELECTRÓNICO MANUAL INICIADO

Use los siguientes procedimientos para hacer avanzar el suavizante de agua a través de los ciclos de regeneración para controlar el funcionamiento.

Levante la Tapa del Agujero de Sal, retire la tapa superior desbloqueando las lengüetas en la parte trasera y agitando hacia adelante, para observar el funcionamiento de la leva y el interruptor durante la rotación de la válvula.

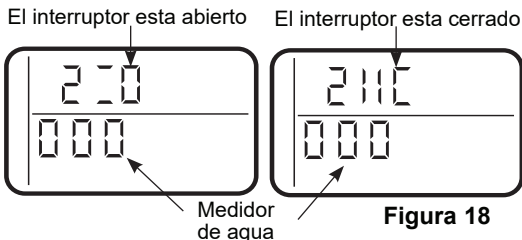
1. Mantenga presionado el botón **MODE/SET (Modo/ Configuración)** por 3 segundos hasta que se visualice la pantalla Configurar la alarma de nivel de sal bajo, luego presione el botón **MODE/SET (Modo/ Configuración)** cinco veces hasta que "000" se visualice en la pantalla, y luego libere el mismo. Vea la Figura 18.
2. Los 3 dígitos indicaron el funcionamiento del medidor de agua de la siguiente manera: Si no se visualiza una lectura en la pantalla, con el grifo abierto, empuje hacia usted el sensor del puerto de salida de la válvula. Pase un imán pequeño hacia atrás y adelante frente al sensor. Debería visualizar una lectura en la pantalla. Si visualiza una lectura, cierre el suministro de agua, desenganche la plomería de entrada y salida y controle que no haya ataduras en la turbina.



Solución de problemas avanzados para el servicio técnico

DIAGNÓSTICO ELECTRÓNICO MANUAL INICIADO (Cont.)

- Los símbolos en la pantalla indican el funcionamiento del interruptor de POSICIÓN. Vea la Figura 18.

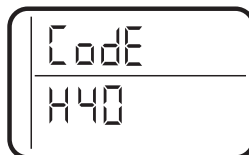


- Use el botón **RECHARGE (Recarga)** para hacer avanzar la válvula manualmente en cada ciclo y controle el funcionamiento correcto del interruptor. **NOTA:** Asegúrese de que el agua esté en contacto con la sal, y que no esté separada por un puente de sal (consulte la sección Rotura de un Puente de Sal).

- Mientras esté en esta pantalla de diagnóstico, la siguiente información está disponible y podrá ser beneficiosa por diferentes razones. Esta información es retenida por la computadora desde la primera vez que el encendido eléctrico es aplicado al controlador electrónico.

- Presione el botón **▲ UP (Arriba)** para mostrar la cantidad de días que se aplicó corriente eléctrica sobre este control electrónico.
- Presione el botón **▼ DOWN (Abajo)** para mostrar el número de regeneraciones iniciadas por el control electrónico desde que el código numérico fue ingresado.

- Mantenga presionado el botón **MODE/SET (Modo/ Configuración)** hasta que el código del modo (H40 para GXSHC40N) aparezca en la pantalla (vea la Figura 19). Este código identifica el modo del suavizante. Si se muestra un código de modo incorrecto, el suavizante funcionará sobre datos de configuraciones incorrectas.



- Para cambiar el número del código, presione el botón UP (Arriba) **▲** o DOWN (Abajo) **▼** hasta que se visualice el código correcto.
- Para regresar a la pantalla de la hora actual, presione el botón **MODE/SET (Modo/ Configuración)**.
- Presione el botón **MODE/SET (Modo/ Configuración)**, para regresar a la pantalla de la hora actual. Si el código fue modificado, realice todas las configuraciones del temporizador. **NOTA:** Si el control queda en una pantalla de diagnóstico o una pantalla titilante al configurar horarios o la dureza, la hora actual automáticamente regresa si no se presiona un botón dentro de los cuatro minutos.

Solución de problemas avanzados para el servicio técnico

Servicio: Control de Recarga Avanzado en forma Manual

NOTA: La pantalla de control debe mostrar el horario de manera fija (no titilando).

1. Presione el botón **RECHARGE (Recarga)** y manténgalo presionado por tres segundos. **RECHARGE (Recarga)** comienza a titilar a medida que el sistema suavizante ingresa al ciclo de llenado de la recarga. Retire la tapa del pozo de salmuera y, usando una linterna, observe el agua al ingresar al tanque de salmuera. Si el agua no ingresa al tanque, busque una obstrucción en la boquilla, el venturi, el enchufe de flujo de llenado o la tubería de la salmuera. Consulte la sección Cuidado y Limpieza del Sistema Suavizante de Agua.
2. Luego de observar el llenado, presione el botón **RECHARGE (Recarga)** para que el sistema suavizante de agua pase al agregado de salmuera. Comenzará un flujo lento de agua hasta el drenaje. Verifique el ingreso de salmuera desde el tanque de salmuera iluminando con una linterna el pozo de salmuera y observando un descenso notorio del nivel de líquido durante un período de tiempo prolongado (hasta 20 minutos).

NOTA: Asegúrese de que un puente de sal no esté impidiendo que el agua tenga contacto con la sal. Consulte la sección Cuidado y Limpieza del Sistema Suavizante de Agua.

Si el sistema suavizante de agua no hace que ingrese salmuera, controle:

- Suciedad o defectos en la boquilla y/o el venturi.
- Defecto en el sellado de la boquilla y el venturi.
- La boquilla y el venturi no están correctamente sellados en la junta.
- Otro defecto de la válvula interna (sellado del rotor, rotor y disco, arandela ondulada, etc.).
- Drenaje restringido (controle el accesorio y la manguera de drenaje).

NOTA: Si el sistema de presión del agua es bajo, una manguera de drenaje elevado podrá ocasionar presión trasera, deteniendo el ingreso de salmuera.

3. Nuevamente, presione el botón **RECHARGE (Recarga)** para pasar del sistema suavizante de agua al lavado regresivo. Busque un flujo rápido de agua desde la manguera de drenaje. Un flujo lento indica que hay un distribuidor superior, una tapa de flujo de lavado regresivo o una manguera de drenaje atascados.

4. Presione el botón **RECHARGE (Recarga)** para pasar el sistema suavizante de agua al enjuague rápido. Nuevamente busque un flujo de drenaje rápido. Deje que el sistema suavizante de agua se enjuague por unos minutos para descargar cualquier resto de salmuera en el tanque de resina de la evaluación del ciclo de agregado de salmuera.
5. Para hacer que el sistema suavizante de agua vuelva a funcionar, presione el botón **RECHARGE (Recarga)**.

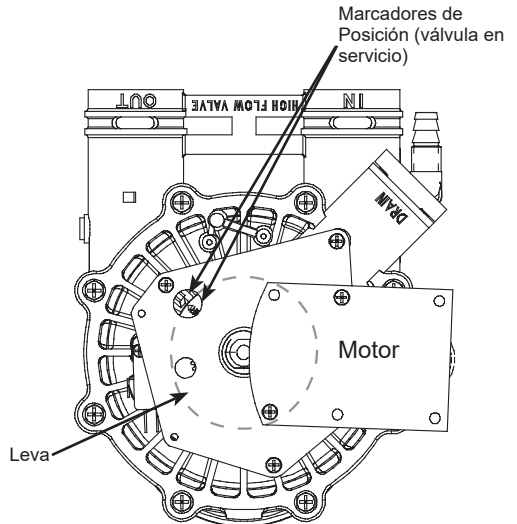
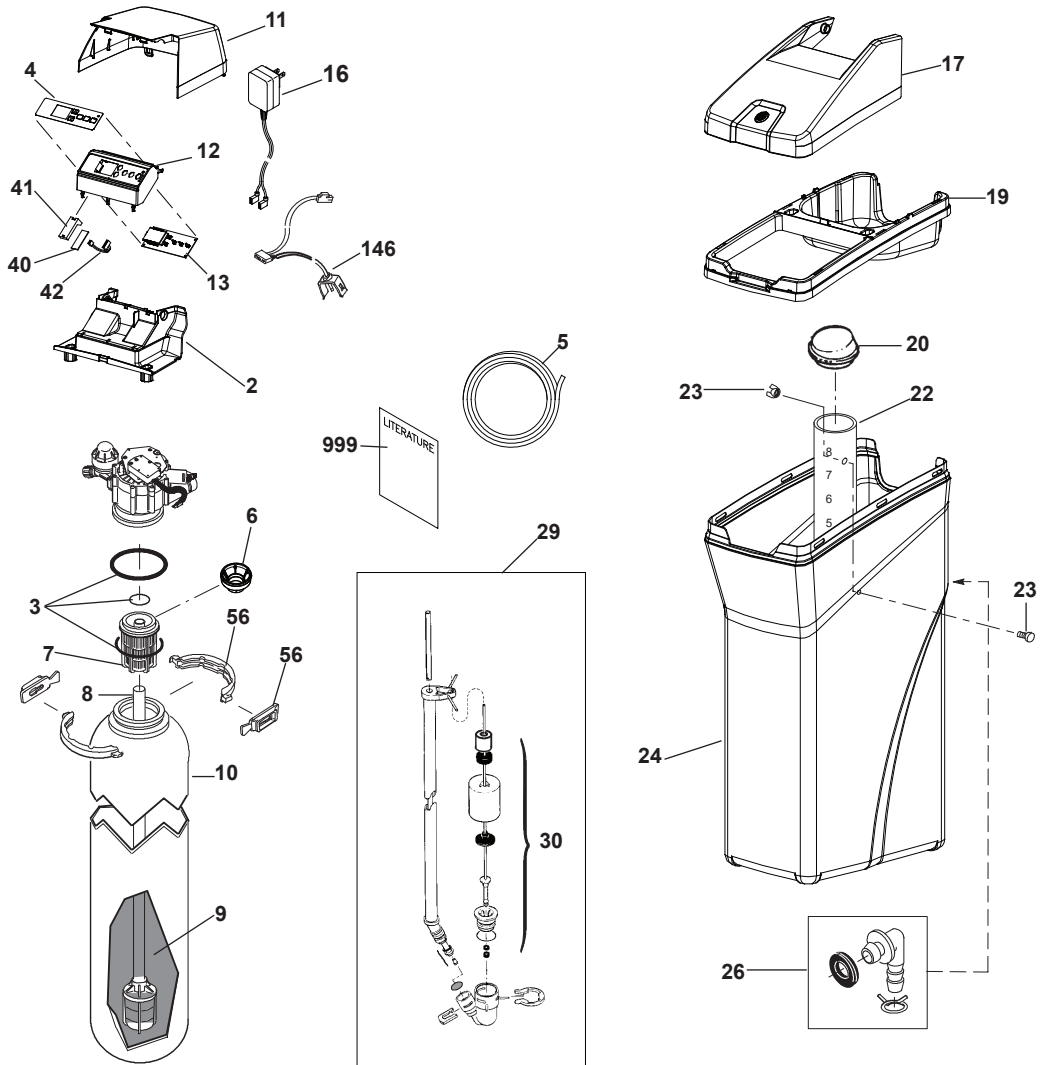


Figura 20

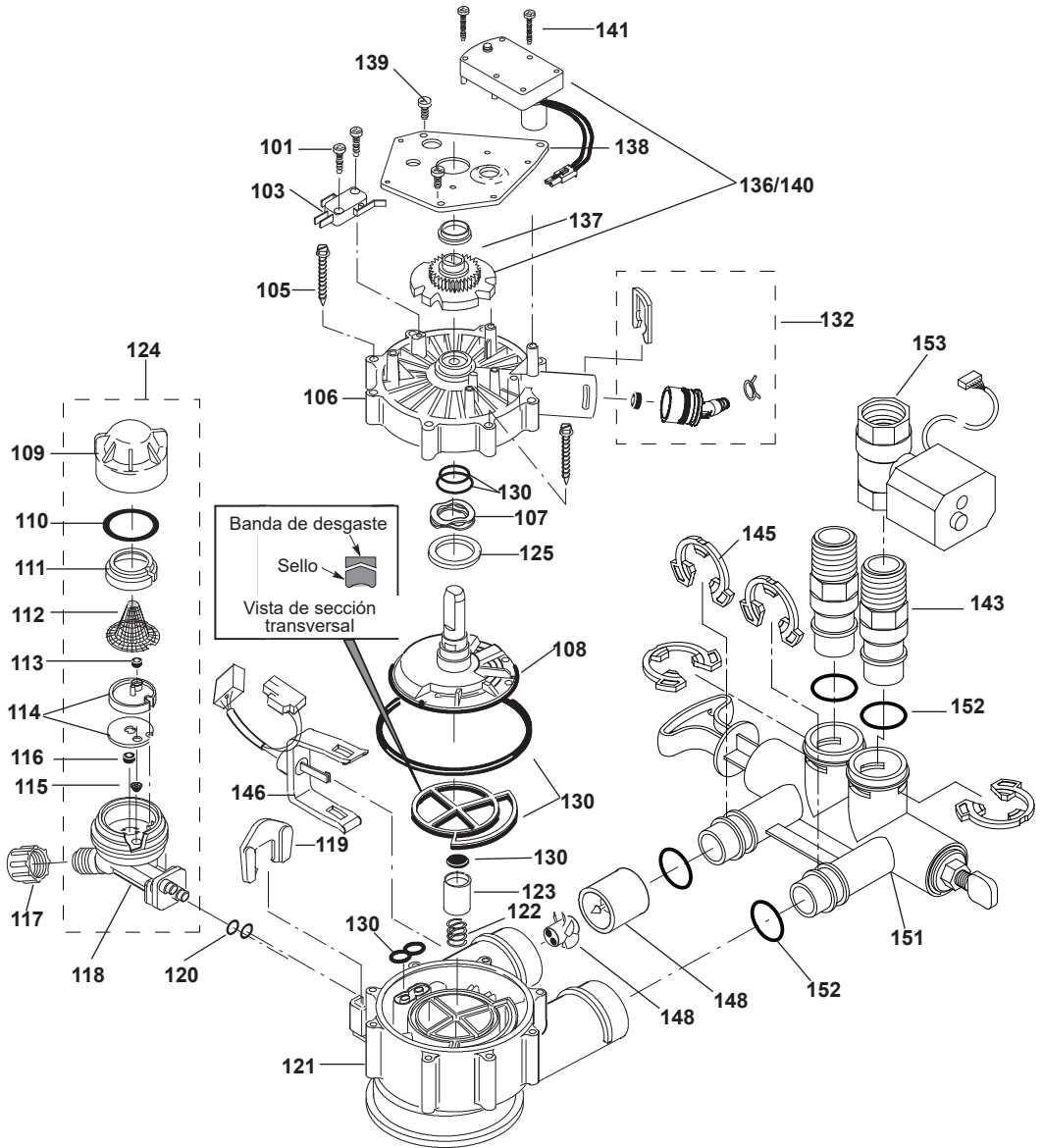
Posiciones de la Válvula:

Posición	Función
S	Servicio
F	Llenado
BR	Llenado de Salmuera
BW	Lavado Regresivo
R	Enjuague

Vista Expandida/Listado de Piezas



Vista Expandida/Listado de Piezas



Vista Expandida/Listado de Piezas

GXSHC40N

REF. NO.	GEA PART NO.	PART DESCRIPTION	(01)
0002	WS31X10051	SOPORTE, PLACA	1
0003	WS35X10001	KIT DE SELLADO DE ANILLOS O	1
0004	WS35X21986	CALCOMANÍA, PLACA	1
0005	WS07X10004	MANGUERA, DRENAJE, 20 PIES	1
0006	WS31X10044	PANTALLA DE FILTRO	1
0007	WS14X10002	DISTRIBUIDOR, SUPERIOR	1
0008	WS14X10001	DISTRIBUIDOR, INFERIOR	1
0009	WS01X10009	RESINA, 1 PIE CÚBICO	1
0010	WS32X10011	TANQUE, RESINA 9 X 40	1
0011	WS31X10052	TAPA, SUPERIOR	1
0012	WS34X10021	PLACA	1
0013	WS35X21984	KIT DE TABLERO DE CONTROL PRINCIPAL	1
0016	WS26X22083	SUMINISTRO DE CORRIENTE EXTERNA SIN CABLE DE CORRIENTE	1
0017	WS31X10053	TAPA, AGUJERO DE SAL CON ETIQUETAS	1
0019	WS33X21987	BORDE	1
0020	WS33X10024	TAPA, POZO DE SALMUERA	1
0022	WS32X10017	POZO DE SALMUERA	1
0023	WS02X10088	KIT DE TORNILLOS, TANQUE DE SALMUERA	1
0024	WS32X10032	TANQUE, SALMUERA	1
0026	WS22X10063	KIT DEL ADAPTADOR PARA DESBORDES	1
0028	WS35X10035	KIT DEL SUJETADOR CON CONEXIÓN A TIERRA	1
0029	WS15X10077	ENSAMBLE DE LA VÁLVULA DE SALMUERA	1
0030	WS35X10063	FLOTADOR, CAÑA Y GUÍA	1
0040	WS35X21981	KIT DE MÓDULO WIFI	1
0041	WS01X21982	SOPORTE, MÓDULO WIFI	1
0042	WS21X21983	CONJUNTO DE CABLES, MÓDULO WIFI	1
0056	WS28X10078	KIT DE LA CLAVIJA DEL CUELLO DEL TANQUE	1
0101	WS02X10023	TORNILLO # 4 - 24 X 3/4"	2
0103	WS21X10003	INTERRUPTOR	1
0105	WS02X10024	TORNILLO # 10 - 2 5/8"	8
0106	WS31X10013	TAPA, VÁLVULA	1
0107	WS03X10034	ARANDELA ONDULADA	1
0108	WS26X10010	ENSAMBLE DE ROTOR Y DISCO	1
0109	WS19X10004	TAPA, VENTURI	1
0110	WS03X10011	SELLO, ANILLO O	1

Vista Expandida/Listado de Piezas

GXSHC40N

REF. NO.	GE PART NO.	PART DESCRIPTION	(01)
0111	WS19X10005	PANTALLA DE SOPORTE	1
0112	WS03X10013	PANTALLA	1
0113	WS22X10036	ENCHUFE DEL FLUJO, .15 GPM	1
0114	WS08X10006	JUNTA, BOQUILLA/ VENTILACIÓN	1
0115	WS03X10015	PANTALLA CÓNICA	1
0116	WS22X10021	ENCHUFE, FLUJO DE LLENADO .30 GPM	1
0117	WS03X10017	TUERCA DE REFUERZO	1
0118	WS15X10034	CUERPO DE BOQUILLA Y VENTURI	1
0119	WS03X10018	DISPOSITIVO DE RETENCIÓN	1
0120	WS03X10019	SELLO, ANILLO O 1/4" X 3/8"	2
0121	WS15X10025	CUERPO, VÁLVULA	1
0122	WS03X10020	RESORTE	1
0123	WS22X10022	ENCHUFE, SELLO DEL DRENAJE	1
0124	WS15X10027	ENSAMBLE DE BOQUILLA Y VENTURI	1
0124	WS15X10036	ENSAMBLE DE BOQUILLA Y VENTURI	1
0125	WS03X10043	COJINETE ONDULADO	1
0130	WS35X10020	KIT DE SELLADO, 1"	1
0132	WS22X10065	KIT DEL ADAPTADOR DE LA MANGA DE DRENAJE	1
0136/0140	WS26X21821	MOTOR, LEVA Y ENGRANAJE EQUIPO, 1"	1
0137	WS26X10009	COJINETE	1
0138	WS26X10023	PLACA, MOTOR 1"	1
0139	WS02X10028	TORNILLO, #6-20 X 3/8"	3
0141	WS02X10058	TORNILLO, #8-32 X 1"	2
0143	WS60X10011	ADAPTADOR – ROSCA NPT – VÁLVULA DE 1"	2
0145	WS60X10008	SUJETADOR	4
0146	WS28X10018	CABLE DEL HARNÉS, ENSAMBLE DE SENSOR, 1"	1
0148	WS26X10030	TURBINA Y SOPORTE ASM.*	1
0151	WS15X10026	ENSAMBLE DE DESVIACIÓN	1
0152	WS03X10072	SELLO, ANILLO O	4
0153	WS15X21985	VÁLVULA DE CORTE DE AGUA	1
0998	WS35X10049	KIT DE INSTALACIÓN	1

* INCLUYE 2 del N° de REF. 145 (GANCHO) y N° de REF. 152 (ANILLO EN O)

Sólo Para Uso en Iowa

SÓLO PARA USO EN IOWA

Todas las ventas en Iowa requieren la siguiente firma antes de la consumación de la venta. Estas firmas deberán ser conservadas por el vendedor/ arrendatario por un mínimo de 2 años

Comprador/ Arrendatario _____ Fecha _____
Vendedor _____ Fecha _____

Domicilio del Vendedor _____

Nº Telefónico del Vendedor _____

Modelo GXSHC40N

Garantía del Sistema Suavizante de Agua (Para clientes en EE.UU.)

Todo el servicio de garantía es provisto por nuestros Centros de Servicio de Fabricación, o un técnico autorizado. Para solicitar el servicio técnico, llame al número gratuito 1-800-952-5039. Cuando llame para solicitar el servicio, tenga los números de serie y modelo disponibles.

Por el Periodo de:	Reemplazaremos:
Un Año Desde la fecha de compra original.	Cualquier pieza del Sistema Suavizante de Agua que falle debido a un defecto en los materiales o la fabricación. Durante esta garantía limitada de un año , GE también proveerá, sin costo , todo el trabajo y el servicio relacionado con el reemplazo de la parte que presente defectos.
Tres Años Desde la fecha de compra original.	El monitor electrónico , si fallara debido a un defecto en los materiales o la fabricación. Durante esta garantía limitada de tres años , usted será responsable por cualquier trabajo o costos relacionados con el servicio técnico.
Diez Años Desde la fecha de compra original.	Un tanque de resina de reemplazo , si falla a defectos de materiales o en la fabricación. Durante este período de diez años de garantía limitada, usted sera responsable por cualquier mano de obra o costos de servicio relacionado.

Qué No Está Cubierto:

- Viajes del técnico del servicio a su hogar para enseñarle sobre cómo usar el producto.
- Instalación, entrega o mantenimiento inadecuados.
- Fallas del producto en caso de abuso, mal uso, alteración, uso comercial o uso para propósitos diferentes al original.
- Uso de este producto donde el agua que no sea microbiológicamente segura o sea de calidad desconocida sin una desinfección adecuada, antes o después, del sistema.
- Reemplazo de fusibles de la casa o reinicio de disyuntores.
- Daños ocasionados sobre el producto por accidente, incendio, inundaciones o catástrofes naturales.
- Daños consecuentes o incidentales causados por posibles defectos sobre este producto, su instalación o reparación.
- Producto no accesible para brindar el servicio requerido.
- Si este electrodoméstico se usa con propósitos que exceden el uso familiar, la garantía de las piezas, el monitor electrónico y la garantía del tanque de resina se aplica sólo durante 90 días desde la fecha de adquisición.

EXCLUSIÓN DE GARANTÍAS IMPLÍCITAS—Su única y exclusiva alternativa es la reparación del producto, como se indica en la Garantía Limitada. Las garantías implícitas, incluyendo garantías implícitas de comerciabilidad o conveniencia sobre un propósito particular, se limitan a un año o al período más corto permitido por la ley.

Esta garantía se extiende al comprador original de productos comprados para uso hogareño dentro de EE.UU. Si el producto se encuentra en un área donde no se encuentra disponible un Proveedor Autorizado de Servicio Técnico de GE Appliances, usted será responsable por el costo de un viaje o se podrá requerir que traiga el producto a una Ubicación del Servicio Técnico de GE Appliances Autorizado para recibir el servicio. En Alaska, la garantía excluye el costo de envío o llamadas del servicio a su hogar.

Algunos estados no permiten la exclusión o limitación de daños fortuitos o consecuentes. Esta garantía le da derechos legales específicos y es posible que tenga otros derechos legales que varían entre un estado y otro. Para conocer cuáles son sus derechos legales, consulte a la oficina de asuntos del consumidor local o estatal o al Fiscal de su Estado.

Garante: GE Appliances, a Haier company
Louisville, KY 40225

Garantía del Sistema Suavizante de Agua (Para clientes en Canadá)

Todo el servicio de garantía es provisto por nuestros Centros de Servicio de Fabricación, o un técnico autorizado. Para solicitar el servicio técnico, llame al número gratuito 1-866-777-7627. Cuando llame para solicitar el servicio, tenga los números de serie y modelo disponibles.

Por el Período de:	Reemplazaremos:
Un Año Desde la fecha de compra original.	Cualquier pieza del Sistema Suavizante de Agua que falle debido a un defecto en los materiales o la fabricación. Durante esta garantía limitada de un año , GE también proveerá, sin costo , todo el trabajo y el servicio relacionado con el reemplazo de la parte que presente defectos.
Tres Años Desde la fecha de compra original.	El monitor electrónico , si fallara debido a un defecto en los materiales o la fabricación. Durante esta garantía limitada de tres años , usted será responsable por cualquier trabajo o costos relacionados con el servicio técnico.
Diez Años Desde la fecha de compra original.	Un tanque de resina de reemplazo , si falla a defectos de materiales o en la fabricación. Durante este período de diez años de garantía limitada, usted será responsable por cualquier mano de obra o costos de servicio relacionado.

Qué No Está Cubierto:

- Viajes del técnico del servicio a su hogar para enseñarle sobre cómo usar el producto.
- Instalación, entrega o mantenimiento inadecuados.
- Fallas del producto en caso de abuso, mal uso, alteración, uso comercial o uso para propósitos diferentes al original.
- Uso de este producto donde el agua que no sea microbiológicamente segura o sea de calidad desconocida sin una desinfección adecuada, antes o después, del sistema.
- Reemplazo de fusibles de la casa o reinicio de disyuntores.
- Daños ocasionados sobre el producto por accidente, incendio, inundaciones o catástrofes naturales.
- Daños consecuentes o incidentales causados por posibles defectos sobre este producto, su instalación o reparación.
- Producto no accesible para brindar el servicio requerido.
- Si este electrodoméstico se usa con propósitos que exceden el uso familiar, la garantía de las piezas, el monitor electrónico y la garantía del tanque de resina se aplica sólo durante 90 días desde la fecha de adquisición.

EXCLUSIÓN DE GARANTÍAS IMPLÍCITAS—Su única y exclusiva alternativa es la reparación del producto, como se indica en la Garantía Limitada. Las garantías implícitas, incluyendo garantías implícitas de comerciabilidad o conveniencia sobre un propósito particular, se limitan a un año o al período más corto permitido por la ley.

Esta garantía se extiende al comprador original de productos comprados para uso hogareño dentro de Canadá. El servicio técnico hogareño de la garantía será brindado en áreas donde Mabe se encuentre disponible y lo considere apropiado.

EL GARANTE NO ES RESPONSABLE POR CUALQUIER DAÑO CONSECUENTE.

Garante: MABE CANADA INC.

Soporte para el Consumidor

Sitio Web de GE Appliances

¿Desea realizar una consulta o necesita ayuda con su electrodoméstico? ¡Intente a través del Sitio Web de GE Appliances las 24 horas del día, cualquier día del año! Usted también puede comprar más electrodomésticos maravillosos de GE Appliances y aprovechar todos nuestros servicios de soporte a través de Internet, diseñados para su conveniencia. En EE.UU.: GEAppliances.com

Registre su Electrodoméstico

¡Registre su electrodoméstico nuevo a través de Internet, según su conveniencia! Un registro puntual de su producto permitirá una mejor comunicación y un servicio más puntual de acuerdo con los términos de su garantía, en caso de surgir la necesidad. También puede enviar una carta en la tarjeta de inscripción preimpresa que se incluye con el material embalado. En EE.UU.: GEAppliances.com/register

Servicio Programado

El servicio de reparación de expertos de GE Appliances está a sólo un paso de su puerta. Conéctese a través de Internet y programe su servicio a su conveniencia cualquier día del año. En EE.UU.: GEAppliances.com/service o comuníquese al 800.432.2737 durante el horario de atención comercial.

Garantías Extendida

Adquiera una garantía extendida de GE Appliances y conozca los descuentos especiales que están disponibles mientras su garantía aún está vigente. La puede adquirir en cualquier momento a través de Internet. Los servicios de GE Appliances aún estarán allí cuando su garantía caduque. En EE.UU.: GEAppliances.com/extended-warranty o comuníquese al 800.626.2224 durante el horario de atención comercial.

Piezas y Accesorios

Aquellos individuos calificados para realizar el servicio técnico de sus propios electrodomésticos podrán solicitar el envío de piezas o accesorios directamente a sus hogares (se aceptan las tarjetas VISA, MasterCard y Discover). Ordene hoy a través de Internet durante las 24 horas, todos los días. En EE.UU.: GEApplianceparts.com o de forma telefónica al 877.959.8688 durante el horario de atención comercial.

Las instrucciones que figuran en este manual cubren los procedimientos que serán realizados por cualquier usuario. Otros servicios técnicos generalmente deben ser derivados a personal calificado del servicio. Se deberá tener cuidado, ya que una reparación indebida podrá hacer que el funcionamiento no sea seguro.

Contáctenos

Si no se encuentra satisfecho con el servicio que recibió de GE Appliances, comuníquese con nosotros a través de nuestro sitio Web con todos los detalles, incluyendo su número telefónico, o escriba a:

En EE.UU.: General Manager, Customer Relations | GE Appliances, Appliance Park | Louisville, KY 40225
GEAppliances.com/contact