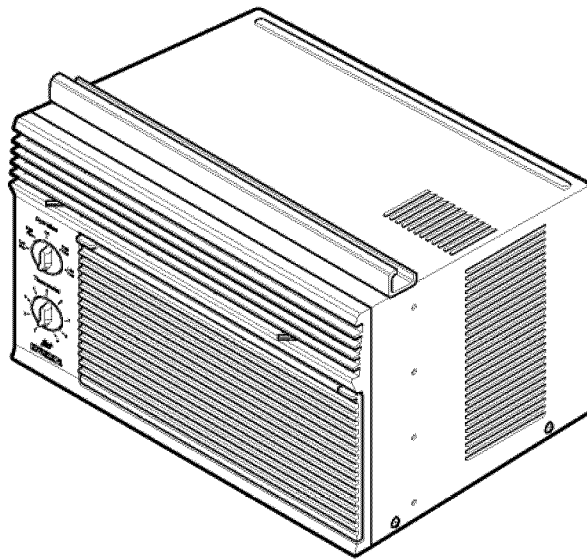




# Room Air Conditioner OWNER'S MANUAL

Please read carefully and thoroughly the operating instructions and safety precautions before installing and operating your room air conditioner.

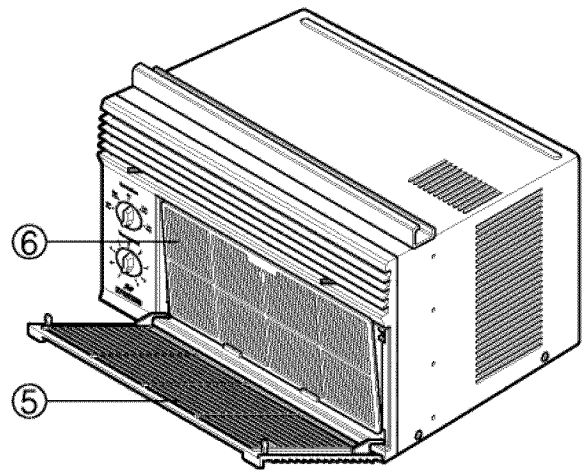
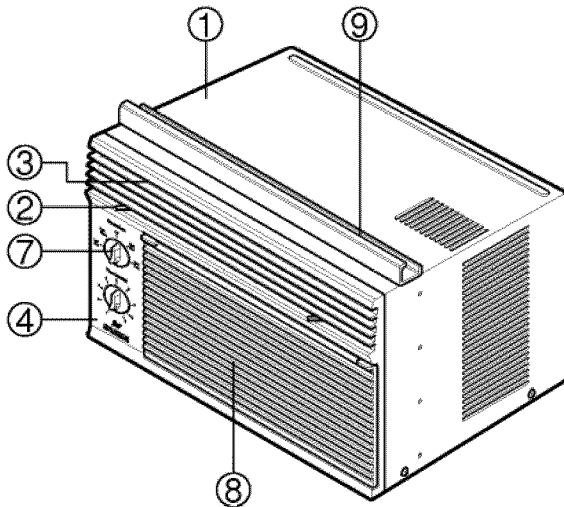


**MODEL: F05K1 / F07K1**

# Table of Contents

FEATURES.....	2
OPERATING.....	3
CONTROLS.....	3
AIR DIRECTION.....	3
CARE AND MAINTENANCE.....	4
TO CLEAN FILTER.....	4
CLEANING THE AIR CONDITIONER.....	4
HOW TO REMOVE THE FRONT GRILLE.....	4
INSTALLATION.....	5
PREPARING THE UNIT FOR INSTALLATION.....	5
ELECTRICAL DATA.....	7
BEFORE CALLING FOR SERVICE.....	8
EXPLODED VIEW.....	9
REPLACEMENT PARTS LIST.....	10

## Features

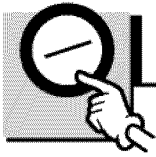


- 1. CABINET
- 2. HORIZONTAL AIR DEFLECTOR
- 3. COOL AIR DISCHARGE
- 4. FRONT GRILLE
- 5. INLET GRILLE

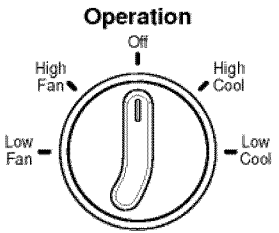
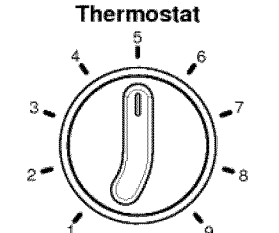
- 6. AIR FILTER
- 7. KNOB
- 8. AIR INTAKE
- 9. UPPER GUIDE

# Operating

The controls will look like the following.



## Controls

 <p><b>Operation</b></p> <p>High Fan High Cool Low Fan Low Cool</p>	<p>Off - Turns air conditioner off. High Fan - High speed fan operation without cooling. Low Fan - Low speed fan operation without cooling. High Cool - Cooling with high speed fan operation. Low Cool - Cooling with low speed fan operation.</p>
 <p><b>Thermostat</b></p>	<p>This automatically controls the temperature of the indoor air. Turn the knob so that arrow points to the larger marks for greater cooling. Point the arrow to the smaller marks for more moderate cooling. (i.e. the higher number the greater cooling)</p>

Operating

### • FOR NORMAL COOLING

1. Turn the Operation Knob to the High Cool from the Low Cool setting.
2. Set the Thermostat control to the desired temperature mark 5 (the mid-point is a good starting position). If the room temperature is not satisfactory after a reasonable time, adjust the control to a cooler or warmer setting, as appropriate.

### • FOR MAXIMUM COOLING

1. Turn the Operation Knob to the High Cool setting.
2. Set the Thermostat control to the largest 9 temperature mark.

### • FOR QUIETER OPERATION

1. Turn the Operation Knob to the Low Cool setting.
2. Set the Thermostat control as needed.

### CAUTION

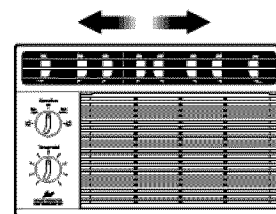
When the air conditioner has been performed its cooling operation and is turned off or set to the fan position, wait at least 3 minutes before resetting to the cooling operation again.

Additional controls and important information.

## Air Direction

### • ADJUSTING THE AIR DIRECTION USING THE HORIZONTAL AIR-DEFLECTOR CONTROL

Using the Control Tabs, the air flow can be directed to the left, right, straight ahead, or any combination of these directions.



# Care and Maintenance

TURN THE AIR CONDITIONER OFF AND REMOVE THE PLUG FROM THE POWER OUTLET.

## • TO CLEAN FILTER

The Air Filter will become dirty as it removes dust from the inside air.

It should be washed at least every 2 weeks.

If the Air Filter remains full of dust, the air flow will decrease and the cooling capacity will be reduced, possibly damaging the unit.

1. Pull the inlet grille forward and pull out the air filter. (Fig. 1)
2. Wash the Air Filter in warm 104°F(40°C) water. Be sure to shake off all the water before replacing the filter.

Do not force open or open too far (about 56°)

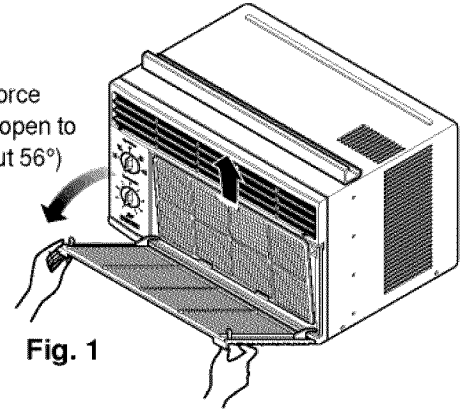


Fig. 1

## • CLEANING THE AIR CONDITIONER

The front grille and Inlet grille may be wiped with a cloth dampened in a mild detergent solution. (Fig. 2)

The cabinet may be washed with mild soap or detergent and lukewarm water, then polished with Liquid Wax for Appliances.

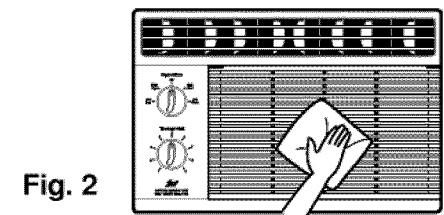


Fig. 2

To ensure continued peak efficiency, the condenser coils(outside of unit) should be checked periodically and cleaned if clogged with soot or dirt from the atmosphere.

## • HOW TO REMOVE THE FRONT GRILLE

1. Remove the thermostat knob and the operation knob by pulling.
2. Remove the screw securing the Front Grille.(Fig. 3)
3. Push the grille up from the bottom and pull the top of the grille away from the case as the top tabs lift out of their slots.(Fig. 3)

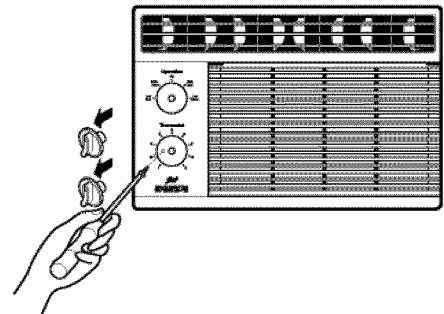
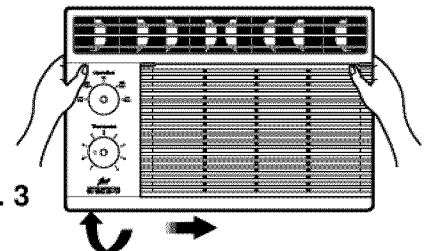


Fig. 3



# Installation

## Preparing the unit for Installation

NOTE: All supporting parts should be secured to firm wood, masonry, or metal.

1. This unit is designed for installation in standard double hung windows with actual opening widths of 22" to 36". The upper and lower sash must open sufficiently to allow a clear vertical opening of 14" from the bottom of the sash to the window stool. (Fig. 4-2)
2. If a storm window presents interference, fasten a 2" wide wood strip (OUTER SILL) to inner window sill across the full width of the sill. The wood strip should be thick enough to raise the height of the window sill so that the unit can be installed without interference by the storm window frame. See Fig. 4-2. Top of wood strip should be approximately 3/4" higher than the storm window frame (STORM WINDOW FRAME) or wood strip (OUTDOORS) to help condensation drain properly to the outside.
3. Install a second wood strip (approximately 6" long 1-1/2" wide and same thickness as first strip) in the center of the outer sill flush against the back off the inner sill. This will raise the "L" bracket as shown Fig. 4-2.
4. If the distance between the STORM WINDOW FRAME and WOOD STRIP MOUNTED ON TOP OF INNER SILL is more than 1", two of wood strips are not necessary.

Care and Maintenance

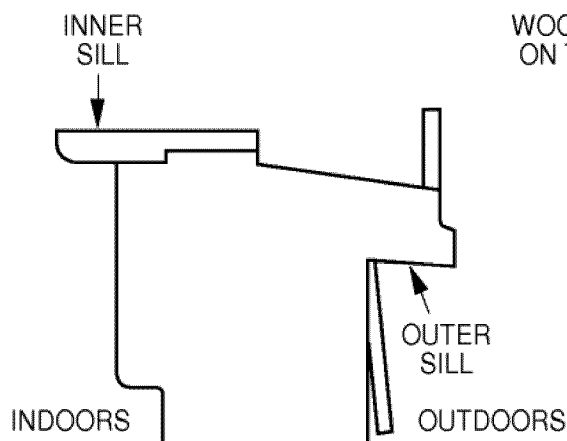


Fig. 4-1

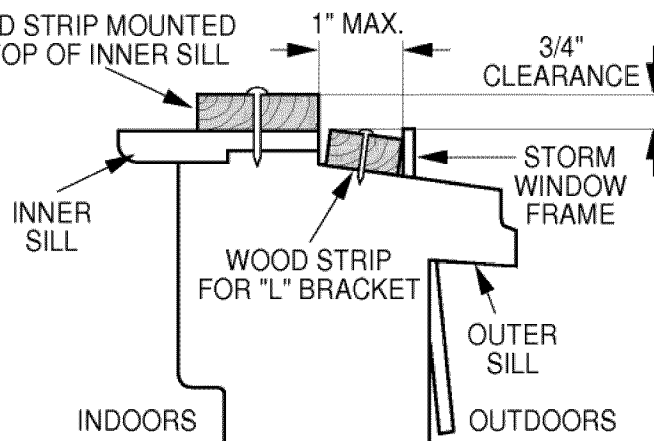


Fig. 4-2

## Installation

HARDWARE				
TYPE A: 1EA ("L" BRACKET)	TYPE B: 2EA (MIDDLE SCREW)	TYPE C: 9EA (SHORT SCREW)	TYPE D: 4EA (WOOD SCREW)	
TYPE E: 1EA (SASH LOCK)	TYPE F: 1EA (SEAL STRIP) (Adhesive backed)	TYPE G: 1EA (SASH SEAL) (Not adhesive backed)	TYPE H: 2EA (GUIDE PANEL)	TYPE J: 1EA (DRAIN PIPE)

## A. BEFORE INSTALLATION...

1. Insert the guide panels into the guides of the air conditioner. Fasten the curtains to the unit with screws (TYPE C), as shown Fig. 5.
2. Cut the adhesive-backed seal strip (TYPE F) to the window width. Remove the backing from the seal strip and attach the seal strip to the underside of the bottom window. (Fig. 6)

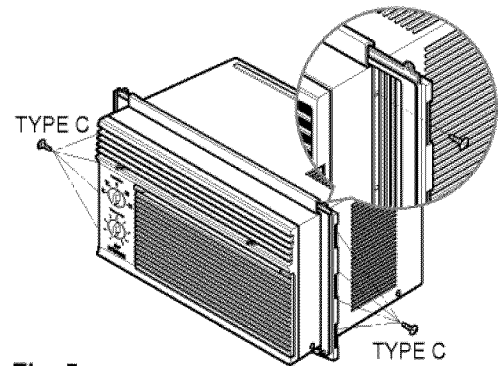


Fig. 5

## B. NOW START INSTALLATION

### 1. LOCATING UNIT IN WINDOW

Open the window and mark center line on the center of the inner sill, as shown in Fig. 7.

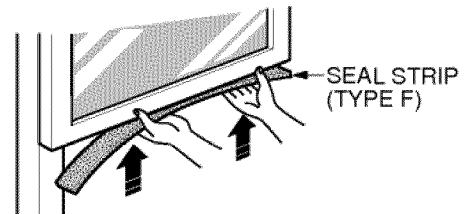


Fig. 6

### 2. ATTACH "L" BRACKET

- a. The units install "L" bracket center in back of inner window sill, with short side of bracket to the outside. Use the 2 screws (type B) provided.
- b. Bracket helps to hold unit securely in place. Be sure to place bracket edge flush against back of inner sill. See Fig. 8.

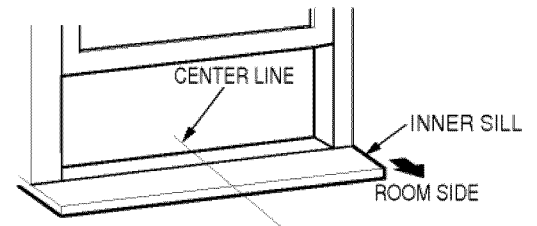


Fig. 7

### 3. INSTALL THE AIR CONDITIONER IN THE WINDOW

- a. Carefully lift the air conditioner and slide it into the open window. Make sure the bottom guide of the air conditioner drops into the notches of the "L" bracket. See Fig. 8.

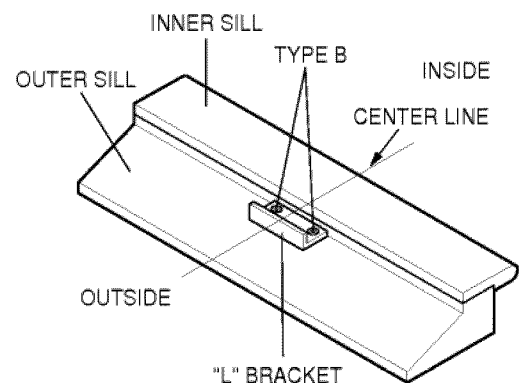


Fig. 8

### CAUTION

During the following step hold unit firmly until window sash is lowered to top channel behind side panel frames. Personal injury or property damage may result if unit falls from window.

### IMPORTANT :

When the air conditioner drops into the "L" bracket, the air conditioner will be centered in window opening as shown in Fig. 9.

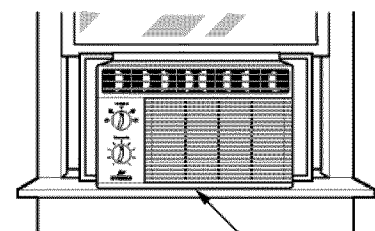


Fig. 9

b. While steadying the air conditioner, carefully bring the window sash down behind the upper guide of the air conditioner, as shown in Fig. 10.

**4. SECURE THE GUIDE PANELS**

Extend the guide panels to fill the window opening using 4 screws (TYPE D) to secure them, as shown in Fig. 11.

**5. INSTALL THE SASH SEAL AND SASH LOCK**

- a. Cut the sash seal to the window width. Stuff the sash seal between the glass and the window to prevent air and insects from getting into the room, as shown in Fig. 11.
- b. Fasten the sash lock using a TYPE C screw, as shown in Fig. 11.

**6. Window installation of room air conditioner is now completed. See ELECTRICAL DATA for attaching power cord to electrical outlet.**

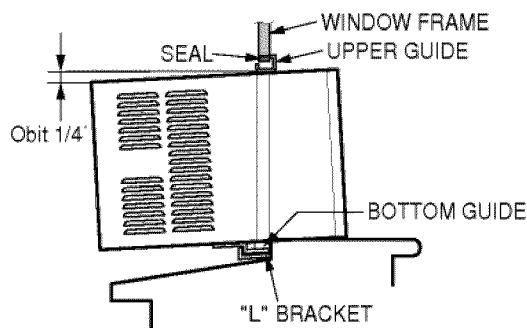


Fig. 10

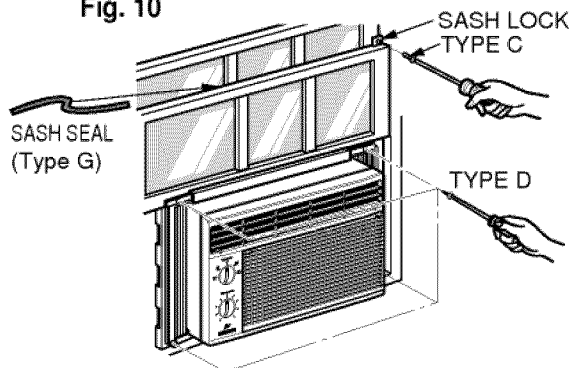


Fig. 11

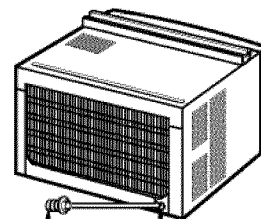


Fig. 12 Drain pipe Drain cap

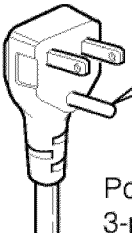

**C. HOW TO SECURE THE DRAIN PIPE**

In humid weather, excess water may cause the BASE PAN to overflow. To drain the water, remove the DRAIN CAP and secure the DRAIN PIPE to the rear hole of the BASE PAN. (Fig. 12)

**REMOVAL FROM WINDOW**

Turn the air conditioner off, disconnect the power cord, remove the sash lock and the screws installed through the top and bottom of the guide panels, and save for reinstallation later. Close the guide panels. Keeping a firm grip on the air conditioner, raise the sash, and carefully tilt the air conditioner backward, draining any condensate water. Slide the air conditioner to 1" right and then lift the air conditioner from the window and remove the sash seal from between the windows.

*Electrical Data*

Line Cord Plug	Use Wall Receptacle	Power Supply
 <p>Do not under any circumstances cut or remove the grounding prong from the plug.</p> <p>Power supply cord with 3-prong grounding plug</p>	 <p>Standard 125V, 3-wire grounding receptacle rated 15A, 125V AC</p>	<p>Use 15 AMP, time delay fuse or circuit breaker.</p>

**USE OF EXTENSION CORDS**

Because of potential safety hazards, we strongly discourage the use of an extension cord. However, if you wish to use an extension cord, use a CSA certified/UL-listed 3-wire (grounding) extension cord, rated 15A, 125V.

# Before calling for service...

## Troubleshooting Tips

Save time and money! Review the chart below first and you may not need to call for service.

## Normal Operating

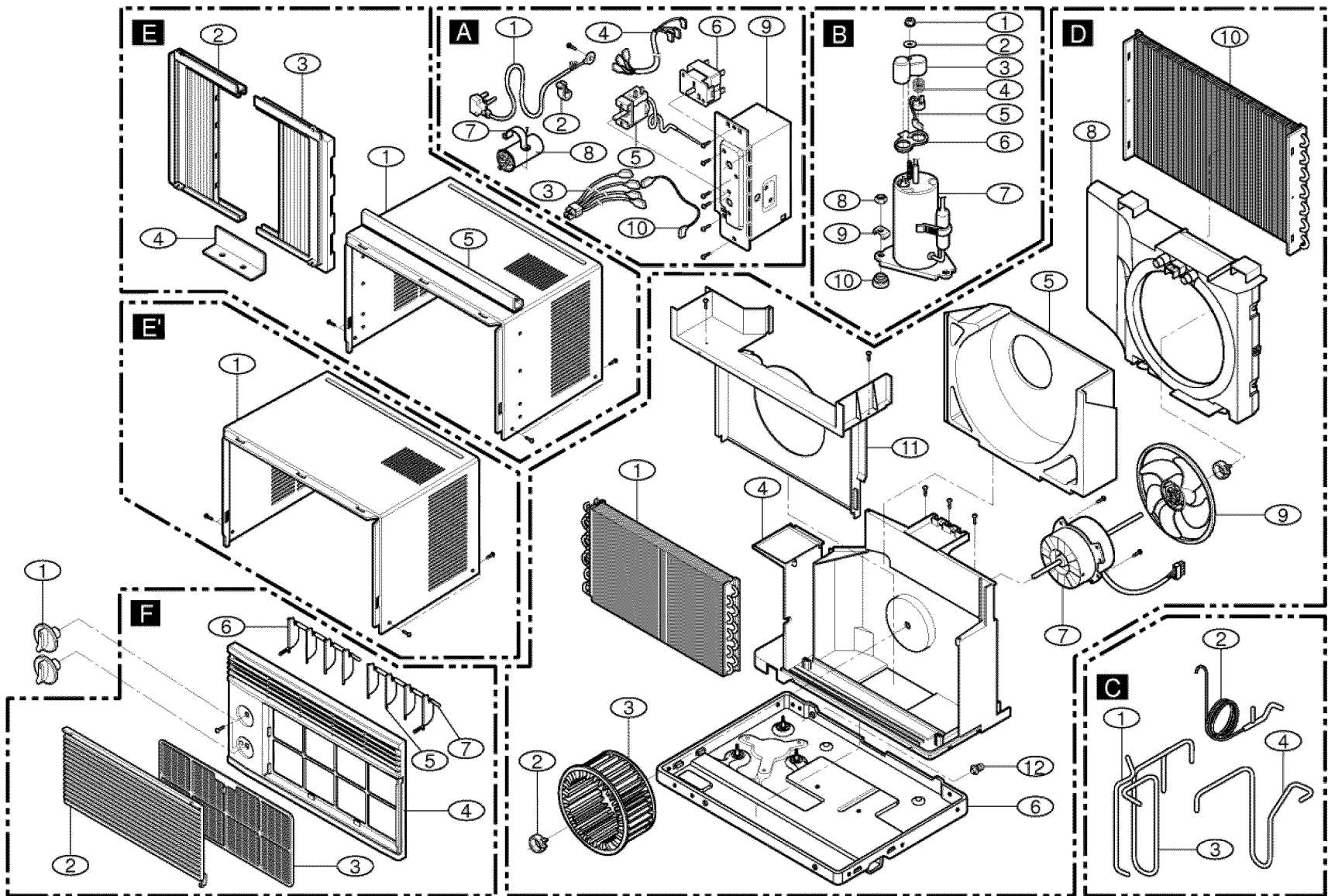
- You may hear a pinging noise caused by water being picked up and thrown against the condenser on rainy days or when the humidity is high. This design feature helps remove moisture and improve efficiency.
- You may hear the thermostat click when the compressor cycles on and off.
- Water will collect in the base pan during high humidity or on rainy days. The water may overflow and drip from the outdoor side of the unit.
- The fan may run even when the compressor does not.

## Abnormal Operation

Problem	Possible Causes	What To Do
<b>Air conditioner does not start</b>	■ The air conditioner is unplugged.	• Make sure the air conditioner plug is pushed completely into the outlet.
	■ The fuse is blown/circuit breaker is tripped.	• Check the house fuse/circuit breaker box and replace the fuse or reset the breaker.
	■ Power failure.	• If power failure occurs, turn the operation knob to <b>OFF</b> . When power is restored, wait 3 minutes to restart the air conditioner to prevent tripping of the compressor overload.
<b>Air conditioner does not cool as it should</b>	■ Airflow is restricted.	• Make sure there are no curtains, blinds, or furniture blocking the front of the air conditioner.
	■ The THERMOSTAT may not be set high enough.	• Turn the knob to a higher number. The highest setting provides maximum cooling.
	■ The air filter is dirty.	• Clean the filter at least every 2 weeks. See the operating instructions section.
	■ The room may have been hot.	• When the air conditioner is first turned on you need to allow time for the room to cool down.
	■ Cold air is escaping.	• Check for open furnace floor registers and cold air returns. • Set the air conditioner's vent to the closed position.
<b>Air conditioner freezing up</b>	■ Cooling coils have iced up.	• See Air Conditioner Freezing Up below.
	■ Ice blocks the air flow and stops the air conditioner from cooling the room.	• Set the operation knob at <b>High Fan</b> or <b>High Cool</b> with the thermostat at <b>1</b> or <b>2</b> .

Before you call for service...





# Replacement Parts List

S : Service Parts  
O : Non Service Parts

LOCATION NO.	DESCRIPTION	PART NO.		Q'TY PER SET	REMARK
		LWH0510ACL	LWH0710ACL		
A - 1	POWER CORD ASSEMBLY	2H00677P		1	S
2	HOLDER-PC	4H01254A		1	S
3	LEAD WIRE ASSEMBLY	6877A20001A		1	S
4	CONNECTOR ASSEMBLY	6631AR3843K		1	S
5	THERMOSTAT	2H01109H	2H01109L	1	S
6	SWITCH, ROTARY	2H00154H		1	S
7	CLAMP CAPACITOR	4H00442N		1	S
8	CAPACITOR	6120AR2359W	6120AR2359V	1	S
9	CONTROL BOARD	4994AR2149A		1	S
10	CONDUCTOR ASSEMBLY	2H01045E		1	S
B - 1	NUT, TERMINAL COVER	4H00947A		1	S
2	GASKET-NUT	4H01058A		1	S
3	TERMINAL COVER	3550-CL001D	3550A30048A	1	S
4	OVERLOAD PROTECTOR SPRING	4970U-L002A	4970A30009A	1	S
5	OVERLOAD PROTECTOR	6750U-L004A	6750A30001B	1	S
6	GASKET	4986U-L001B	4986A30001A	1	S
7	COMPRESSOR	5416A20001A	5416A20013A	1	S
8	HEXAGON NUTS	1NHA0801206		3	S
9	BRACKET, WASHER	4810AR4155B		3	O
10	ISOLATOR, COMP	5040AR4195A		3	S
C - 1	TUBE EVA-IN ASSEMBLY	5210A30002A	5211A30115A	1	S
2	TUBE CAPILLARY ASSY	5211AR3332M	5211AR3332P	1	S
3	TUBE SUCTION ASSEMBLY	5211AR6204A	5211A30116B	1	S
4	TUBE, DISCHARGE	5210A30001C		1	S
D - 1	EVAPORATOR ASSEMBLY	5421AR6203A	5421A20016E	1	S
2	CLAMP SPRING	3H02932B		2	S
3	BLOWER	5834AR1592A		1	S
4	AIR GUIDE	5238AR1591A		1	S
5	SCROLL	3072AR1589A		1	S
6	BASE WELD ASSEMBLY	3041AR6199K	3041AR6199T	1	S

i NSP: Non Service Part

LOCATION NO.	DESCRIPTION	PART NO.		Q'TY PER SET	REMARK
		LWH0510ACL	LWH0710ACL		
D - 7	MOTOR ASSEMBLY	4681AR20001A	4681A20001G	1	S
8	SHROUD	4998AR1608A		1	S
9	FAN	5900AR1594A		1	S
10	CONDENSER ASSEMBLY	5403AR6200A	5403A20009B	1	S
11	ORIFICE	4948AR6166A		1	S
12	DRAIN PIPE	3H02773A		1	O
	WASHER, RUBBER	4H01029E		1	O
E - 1	CABINET ASSEMBLY	3091AR6055E		1	S
2	FRAME CURTAIN ASSEMBLY	3211AR3239A		1	S
3	FRAME CURTAIN ASSEMBLY	3211AR3239B		1	S
4	L BRACKET	4810A40002A		1	S
5	UPPER GUIDE	5210AR3196C		1	S
E' - 1	CABINET ASSEMBLY	3091AR6055G		1	S
F - 1	KNOB ASSEMBLY	4940AR3241E		2	S
2	GRILLE INLET	3530AR1076E		1	S
3	AIR FILTER ASSEMBLY	5231AR2148D		1	S
4	GRILLE FRONT	3530AR1072E		1	S
5	VANE	5990AR3190A		2	S
6	VANE	5990AR3190B		6	S
7	LINK HOLDER	4520AR3191A		2	S