

GoldStar

www.lgservice.com

OWNER'S MANUAL
MANUAL DEL PROPIETARIO

ENGLISH

ESPAÑOL

ROOM AIR CONDITIONER **AIRE ACONDICIONADOR**

Models/Modelo M8004R, M1004R

IMPORTANT

- Please read this owner's manual carefully and thoroughly before installing and operating your room air conditioner.
- Please retain this owner's manual for future reference after reading it thoroughly.

PRECAUTIONS

- Antes de instalar y poner en marcha su ventilador de casa, haga el favor de leer cuidadosamente esta instrucción de Usuario.
- Luego de su lectura, guarde este manual para el futuro usuario para las referencias.

TABLE OF CONTENTS

Safety Precautions	3
Before Operation	7
Introduction	8
Symbols Used in this Manual	8
Features	8
Electrical Safety	9
Temporary Use of an Adapter	10
Temporary Use of an Extension Cord	10
Installation	11
Window Requirements	11
Size	11
Clearance	12
Preparation of Chassis	13
Unit Installation	14
Operating Instructions	16
Remote Control Operations	16
Remote Controller	17
Additional Features.....	18
Air Direction	18
Vent Control	18
Drain Pipe.....	19
Removal from Window.....	19
Maintenance and Service	20
Air Filter	20
Cleaning the Air Conditioner	20
How to Remove the Front Grille	21
Common Problems and Solutions.....	22
Troubleshooting	23



FOR YOUR RECORDS

Write the model and serial numbers here:

Model # _____

Serial # _____

You can find the numbers on a label on the side of the product.

Dealer's Name _____

Date Purchased _____

■ Staple your receipt to this page in the event you need it to prove date of purchase or for warranty issues.



READ THIS MANUAL

Inside you will find many helpful hints on how to use and maintain your air conditioner properly. Just a little preventive care on your part can save you a great deal of time and money over the life of your air conditioner.

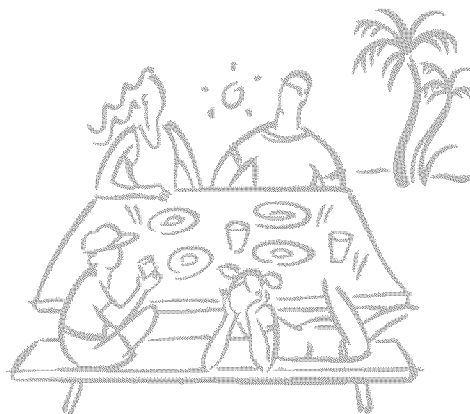
You'll find many answers to common problems in the chart of troubleshooting tips. If you review our chart of

Troubleshooting Tips first, you may not need to call for service at all.



PRECAUTION

- Contact an **Authorized Service Center** for repair or maintenance of this unit. Call 1-800-243-0000 to locate the nearest ASC.
- This air conditioner is not intended for use by young children or invalids without supervision.
- Young children should be supervised to ensure that they do not play with the air conditioner.
- If the power cord requires replacement, have an **Authorized Servicer** install an exact replacement part.
- Installation work must be performed in accordance with the **National Electric Code** by qualified and authorized personnel only.



Safety Precautions

To prevent injury to the user or other people and property damage, the following instructions must be followed.

- Incorrect operation due to ignoring instructions will cause harm or damage. The seriousness is classified by the following indications.
- Because of the weight of the product, it is recommended that you have a helper to assist in the installation.

⚠ WARNING This symbol indicates the possibility of death or serious injury.

⚠ CAUTION This symbol indicates the possibility of injury or damage to property only.

- Meanings of symbols used in this manual are as shown below.

	Be sure not to do.
	Be sure to follow the instruction.

⚠ WARNING

■ Installation

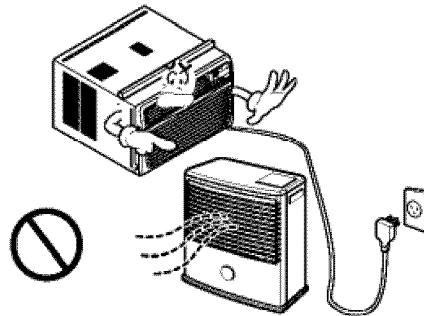
Always install the expansion panel(s).

- Improper assembly or installation may cause incorrect operation, including injury, fire, and electric shock hazards.



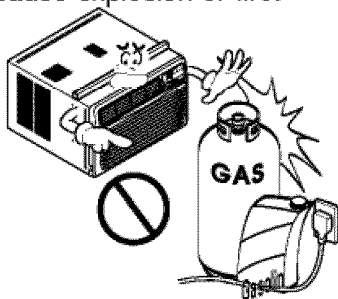
Do not place the power cord near a heater.

- It may cause fire and electric shock.



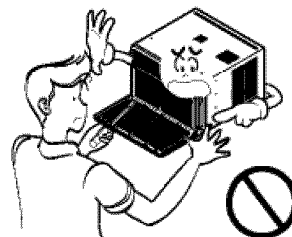
Do not use the power cord near flammable gas or combustibles such as gasoline, benzene, thinner, etc.

- It may cause explosion or fire.



Do not disassemble or modify products.

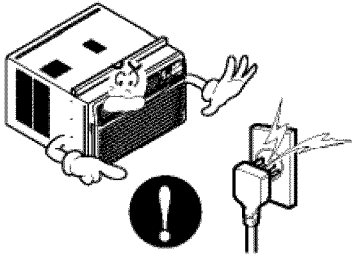
- It may cause electric shock and failure.



■ Operation

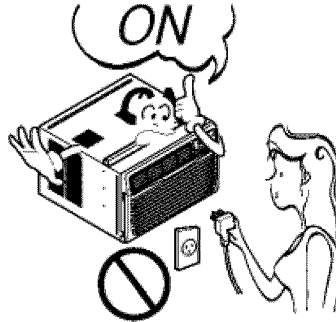
Plug in the power plug properly.

- Otherwise, it will cause electric shock or fire.



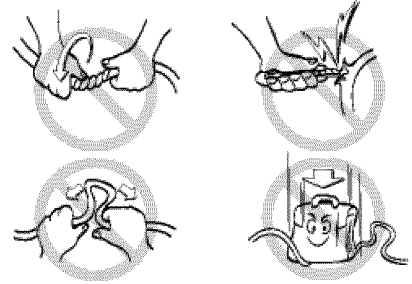
Do not operate or stop the unit by inserting or pulling out the power plug.

- It will cause electric shock or fire.



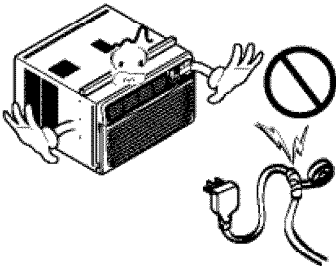
Do not damage or use an unspecified power cord.

- It will cause electric shock or fire.



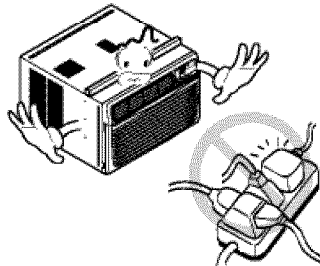
Do not modify power cord length.

- It will cause electric shock or fire.



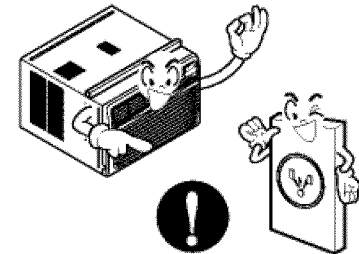
Use the air conditioner on a single outlet circuit. (See page 7.) Do not share the outlet with other appliances.

- It will cause electric shock or fire.



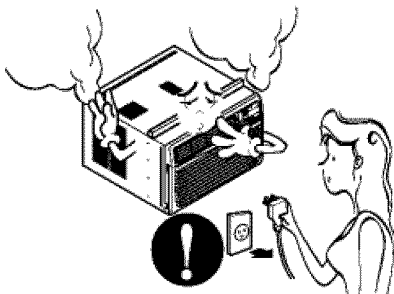
Always plug into a grounded outlet.

- No grounding may cause electric shock.



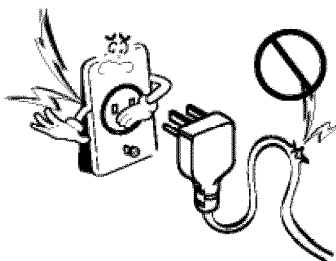
Unplug the unit if strange sounds, odors, or smoke come from it.

- Otherwise it will cause fire and electric shock accident.



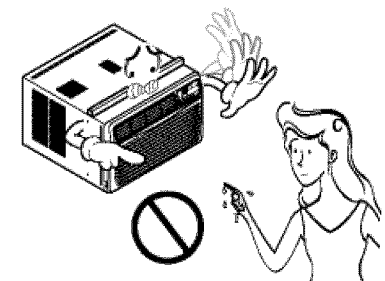
Do not use the socket if it is loose or damaged.

- It may cause fire and electric shock.



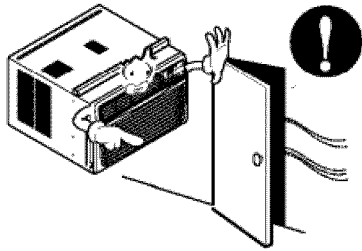
Do not operate with wet hands or in damp environment.

- It may cause electric shock.



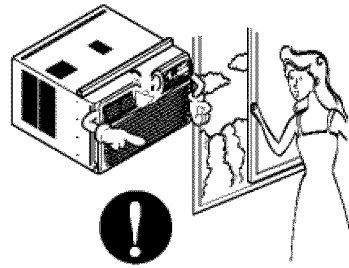
Close all doors, windows and other outside openings to the room.

- The air conditioner must be operated in a enclosed area to be most effective.



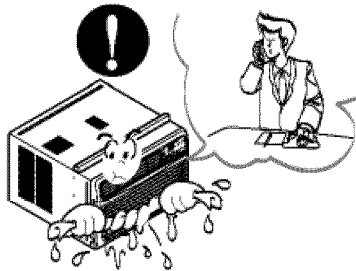
Ventilate before operating air conditioner when gas goes out.

- It may cause explosion, fire, and burn.



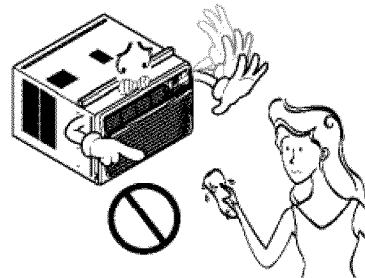
If water enters the product, turn off the the power switch of the main body of appliance. Contact service center after taking the power-plug out from the socket.

- It will cause electric shock or failure of machine.



Do not clean the air conditioner with water.

- Water may enter the unit and degrade the insulation. It may cause an electric shock.

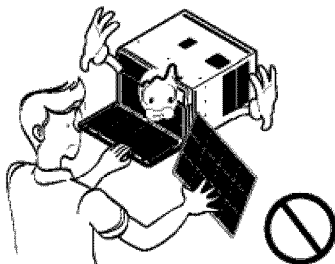


CAUTION

Installation

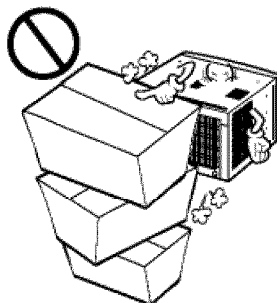
Never touch the metal parts of the unit when removing the filter.

- They are sharp and may cause injury.



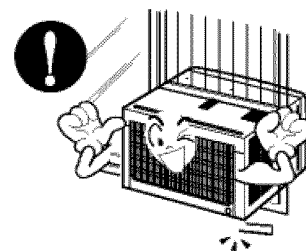
Do not block the inlet or outlet.

- It may cause failure of appliance or performance deteriorate.



Ensure that the outer case is not damaged by age or wear.

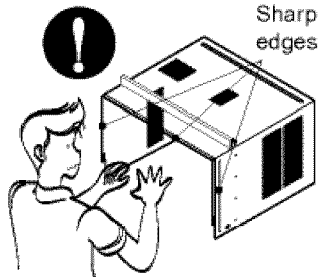
- If the outer case is damaged, it must be repaired or replaced immediately. Leaving it damaged could result in the air conditioner falling out of the window, creating a safety hazard.



■ Operation

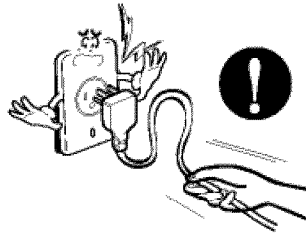
Be cautious not to touch the sharp edges when installing.

- It may cause injury.



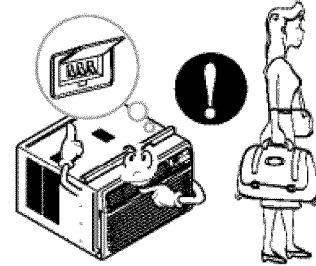
Hold the plug by the head when taking it out.

- It may cause electric shock and damage.



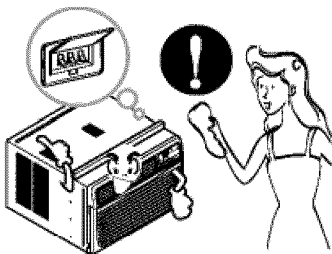
Unplug the air conditioner if it will not be used for a long period.

- It will waste power consumption in vain and it may cause accident.



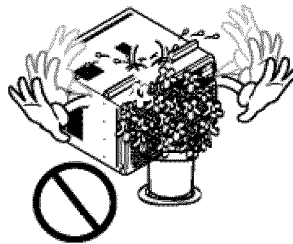
Unplug the air conditioner before cleaning it.

- Since the fan rotates at high speed during operation, it may cause injury.



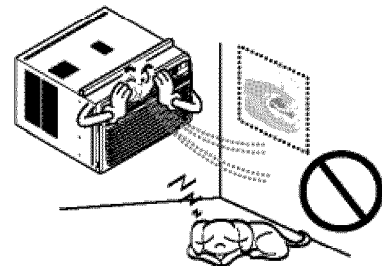
Do not put a pet or house plant where it will be exposed to direct air flow.

- This could injure the pet or plant.



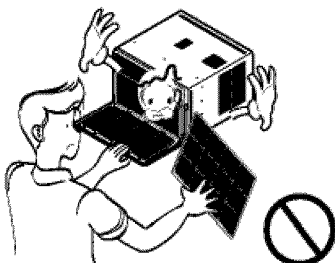
Do not use this appliance for special purposes such as pets, foods, precision machinery, or objects of art.

- It is an air conditioner, not a precision refrigeration system.



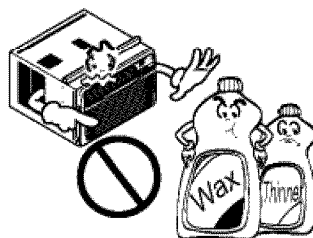
Always insert the filter securely. Clean it every two weeks.

- Operation without filters **will** cause failure.



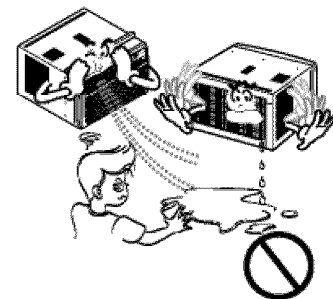
Use a soft cloth to clean. Do not use wax, thinner, or a strong detergent.

- The appearance of the air conditioner may deteriorate, change color, or develop surface flaws.



Do not drink water drained from air conditioner. Do not direct airflow at room occupants only.

- It is not sanitary and could cause illness or personal injury hazard.



Before Operation

Preparing for Operation

1. Plug in the power cord properly.
2. Use a dedicated circuit. Overloading the line could create a fire hazard.
3. Do not use an extension cord. See page 10 for more details.
4. Do not start/stop operation by plugging/unplugging the power cord.
5. If the power cord is damaged and requires replacement, have an Authorized Servicer install an exact replacement part.

Usage

1. Being exposed to direct airflow for an extended period of time could be hazardous to your health. Do not expose occupants, pets, or plants to direct airflow for extended periods of time.
2. Due to the possibility of oxygen deficiency, ventilate the room when used together with stoves or other heating devices.
3. Do not use this air conditioner for non-specified special purposes (e.g. preserving precision devices, food, pets, plants, and art objects). Such usage could damage the items.
4. The air conditioner is a consumer comfort appliance, not a precision climate control system.

Cleaning and Maintenance

1. Do not touch the metal parts of the unit when removing the filter. Injuries can occur when handling sharp metal edges.
2. Do not use water to clean inside the air conditioner. Exposure to water can destroy the insulation, leading to possible electric shock.
3. When cleaning the unit, first make sure that the power and breaker are turned off. The fan rotates at a very high speed during operation. There is a possibility of injury if the unit's power is accidentally triggered on while cleaning inner parts of the unit.

Service

For repair and maintenance, contact an Authorized Service Center. See the warranty page for details or call (800) 243-0000. Have your model number and serial number available. They should be written on page 2 of this manual.

Introduction

Symbols Used in this Manual



This symbol alerts you to the risk of electric shock.



This symbol alerts you to hazards that could cause harm to the air conditioner.

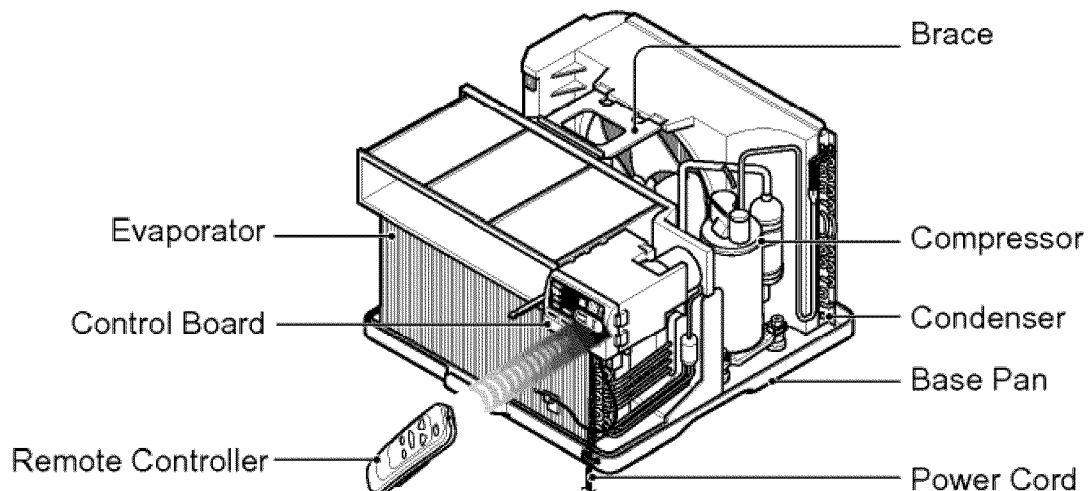
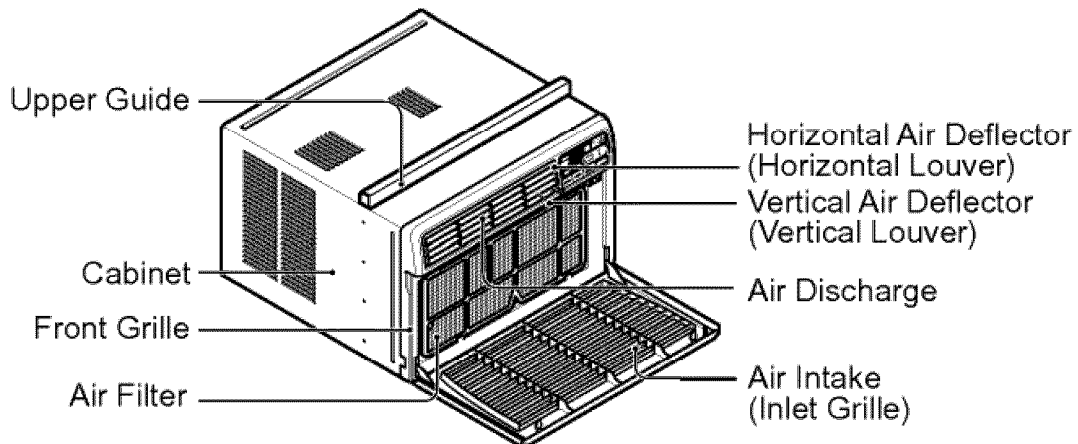
Tip!

This symbol indicates special notes.

Features



WARNING: This appliance should be installed in accordance with the National Electric Code.

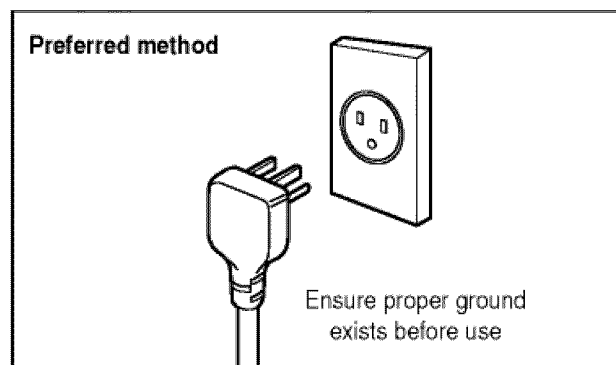


Electrical Safety

⚡ WARNING: This appliance must be properly grounded.

The power cord of this appliance is equipped with a three-prong grounding plug. To minimize the risk of electric shock, use the plug with a standard three-slot grounding wall power outlet. If the power outlet does not include a grounding slot, have a qualified electrician replace the outlet before you use the room air conditioner.

⚡ WARNING: Changing the outlet without making the appropriate wiring changes will create an unsafe condition that could result in fire or electrical shock. Refer all such work to a licensed and qualified electrician.



⚡ WARNING: Do not cut or remove the grounding prong from the power plug.

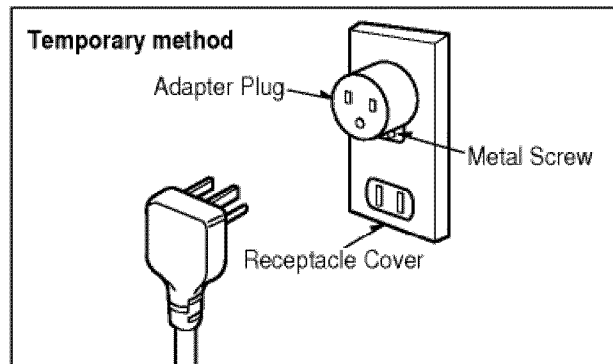
⚡ WARNING: Attaching the adapter ground terminal to the wall receptacle cover screw does not ground the appliance unless the cover screw is metal and not insulated, and the wall receptacle is grounded through the house wiring.

⚡ WARNING: If you have any doubt whether the air conditioner is properly grounded, have the wall receptacle and circuit checked by a qualified electrician.

Temporary Use of an Adapter

We **strongly discourage** the use of an adapter due to potential safety hazards. For temporary connections, use only a UL-listed adapter, available from most local hardware stores. Ensure that the large slot in the adapter is aligned with the large slot in the receptacle for a proper polarity connection.

To disconnect the power cord from the adapter, use one hand on each to avoid damaging the ground terminal. Avoid frequently unplugging the power cord as this can lead to eventual ground terminal damage.



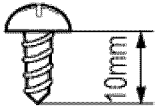
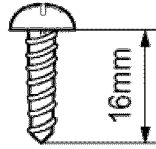
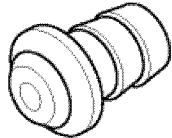
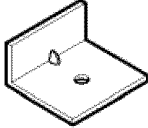
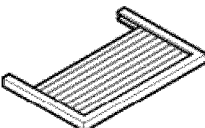

WARNING: Never use the appliance with a broken adapter.

Temporary Use of an Extension Cord

We **strongly discourage** the use of an extension cord due to potential safety hazards. For temporary situations, use only CSA certified and UL listed 3-wire grounded extension cords, rated 15 A, 125 V.

Installation

ENGLISH

Type A: 11 EA (Short Screw)	Type B: 5 EA (Wood Screw)	Type C: 1 EA (Drain Joint Pipe)	Type D: 3 EA (L Bracket)
			
Type E: 1 EA (Seal Strip)	Type F: 1 EA (Sash Seal)	Type G: 2 EA (Guide Panel)	Type H: 1 EA (Support Bracket)
(Adhesive backed)	(Not adhesive backed)		

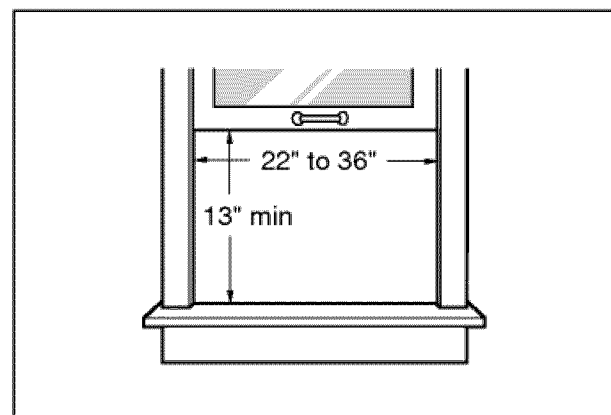
Have the following tools available for installation:

- * Screwdriver (Slotted and Phillips)
- * Knife
- * Pencil
- * Ruler
- * Hammer
- * Level

Window Requirements

Size

This room air conditioner is designed for installation in standard double-hung windows with actual opening widths from 22" to 36". The upper and lower window sash must open sufficiently to allow a clear vertical opening of 13" from the bottom of the upper sash to the window stool.



WARNING: This product is a WINDOW AIR CONDITIONER. As such, a standard single-hung or double-hung window is required for proper installation. Non-window installations, including using sleeves, holes in walls, and other installations are not recommended.

Clearance

Proper clearance enhances the cooling efficiency of the unit and prevents heat radiation of the condenser.

1. If a storm window presents interference, fasten a 2" wide wood strip to the inner window sill across the full width of the sill. The wood strip should be thick enough to raise the height of the window sill so that the unit can be installed without interference by the storm window frame.
2. See Figure. B. The top of the wood strip should be approximately $\frac{3}{4}$ " higher than the storm window frame (Storm Window Frame) or wood strip (Outdoors) to help condensation to drain properly to the outside.
3. Install a second wood strip (approximately 6" long by $1\frac{1}{2}$ " wide and same thickness as first strip) in the center of the sill flush against the back off the inner sill. This will raise the L bracket as shown Figure. B.
4. If the distance between Storm Window Frame and Wood Strip Mounted on Top of Inner Sill is more than 1", two of wood strips are not necessary.

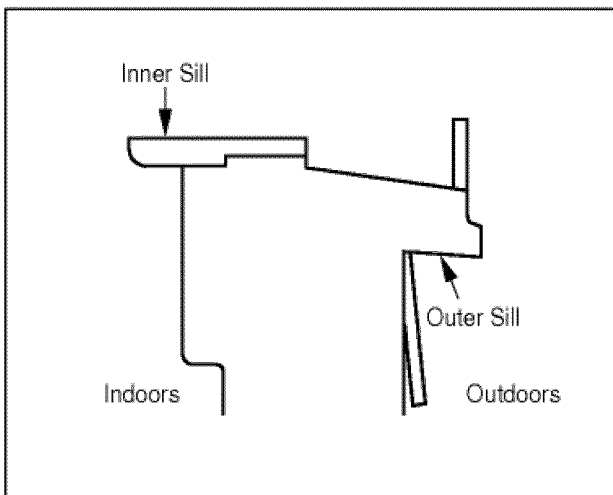


Figure. A

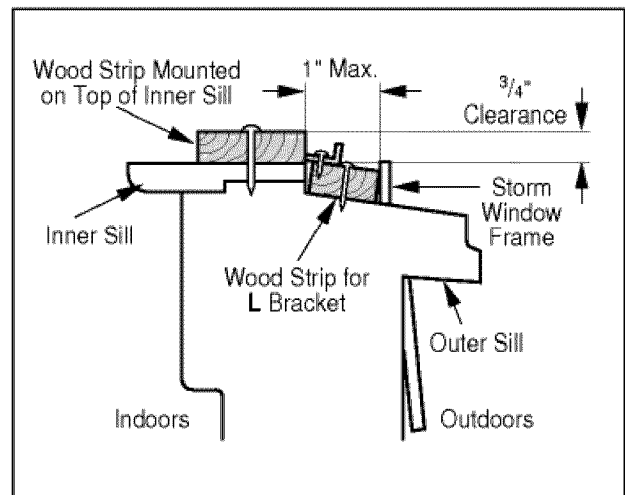
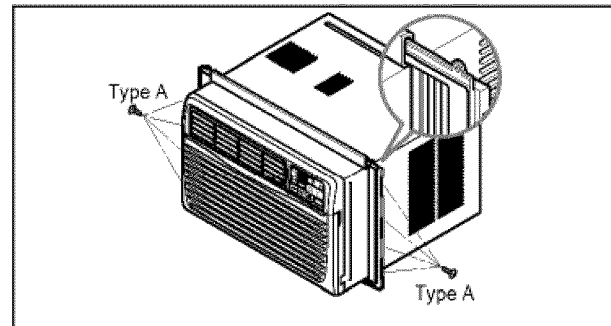


Figure. B

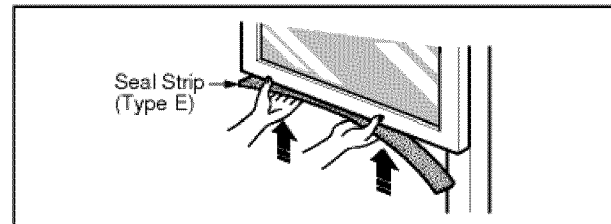
Preparation of Chassis

1. Insert the guide panels into the guides of the air conditioner. Fasten the curtains to the unit with screws (Type A).

Tip! : Use a long screwdriver and installing the screws will be easier.

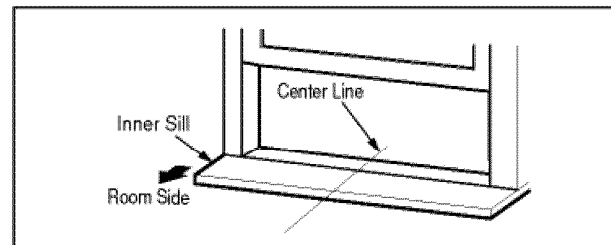


2. Cut the adhesive-backed seal strip (Type E) to the window width. Remove the backing from the seal strip and attach the seal strip to the underside of the bottom window.



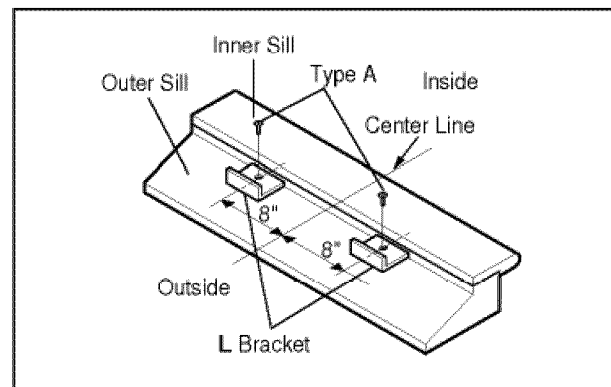
3. Locating unit in window

Open the window and mark center line on the center of the inner sill.



4. Attach L bracket

- 4-1. Install the L brackets behind the inner window sill, with short side of bracket as shown. Use the 2 screws (Type A) provided.
- 4-2. The bracket helps to hold unit securely in place. Be sure to place bracket edge flush against back of inner sill.



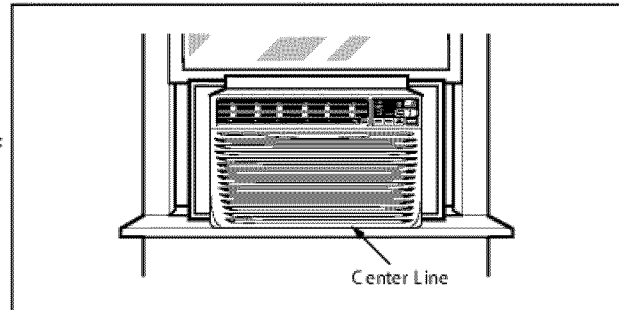
Unit Installation

⚠ Caution: During the following step, hold unit firmly until window sash is lowered to top channel behind side panel frames. Personal injury or property damage may result if unit falls from window.

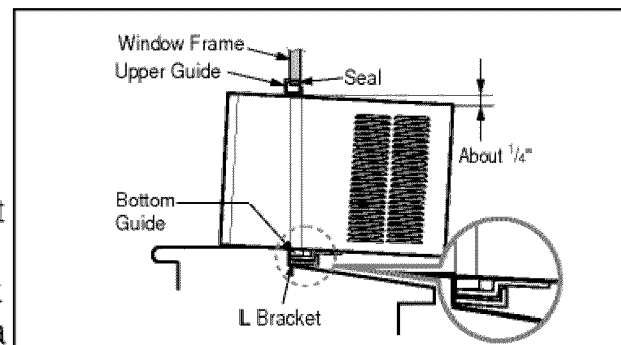
1. Install the air conditioner in the window

1-1. Carefully lift the air conditioner and slide it into the open window. Make sure the bottom guide of the air conditioner drops into the notches of the L bracket.

Tip! : When the air conditioner drops into the L bracket, the air conditioner will be centered in window opening.



1-2. While steadying the air conditioner, carefully bring the window sash down behind the upper guide of the air conditioner. When the air conditioner is properly installed, it should tilt slightly down at the back. If it is set correctly in the window, it will hang lower in the back automatically. If it does not, there is a problem with the installation.



2. Secure the guide panels

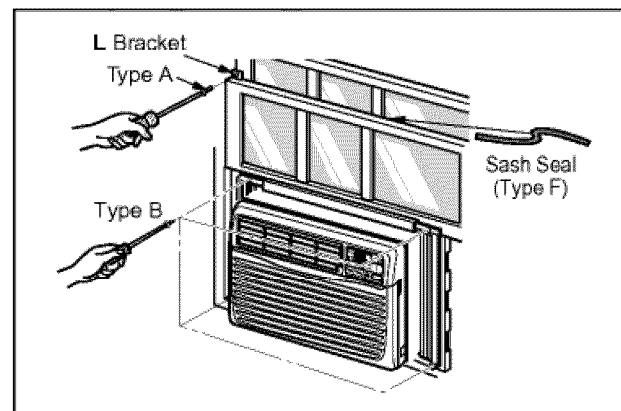
Extend the guide panels (Type G) to fill the window opening using 4 screws (Type B) to secure them.

3. Install the sash seal and sash lock

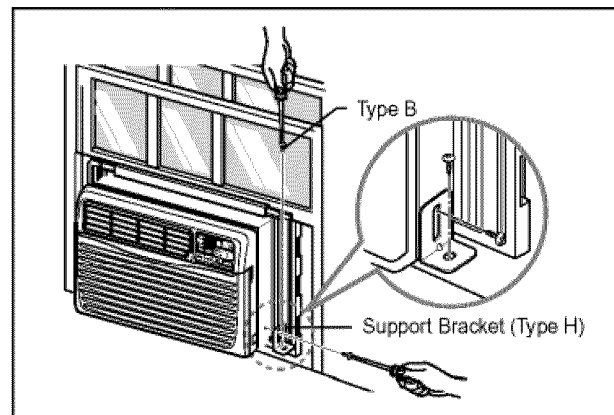
3-1. Cut the sash seal (Type F) to the window width. Stuff the sash seal between the glass and the window to prevent air and insects from getting into the room.

3-2. Fasten the L bracket using a screw (Type A).

3-3. Remove the screws that secure the cabinet and base pan in the right side.



- 3-4. Fasten the support bracket (Type H) using a screw removed from the air conditioner cabinet. Attach the support bracket (Type H) to the inner window sill with a screw (Type B).



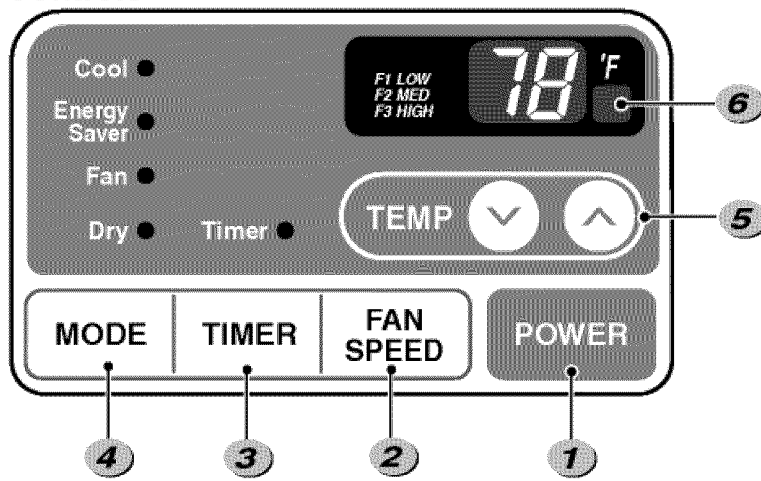
ENGLISH

4. **Window installation of room air conditioner is now completed.**
See **ELECTRICAL DATA** for attaching power cord to electrical outlet.

Remote Control Operations

The controls look like this:

Controls



1 POWER

Operation starts when this button is pressed and stops when you press the button again.

2 FAN SPEED SELECTOR

For increased power while cooling, select a higher fan speed.

3 steps: High — Low — Med

3 ON/OFF TIMER

The timer can be set to start and stop the unit in hourly increments (up to 12 hours).

4 OPERATION MODE SELECTOR

Select cooling mode to cool the room.

Select energy saver mode for energy saving operation.

Select fan mode for basic ventilating fan operation.

Select dry mode for dry operation.

5 TEMPERATURE CONTROL

The thermostat monitors room temperature to maintain the desired temperature.

The thermostat can be set between 60°F~86°F (16°C~30°C).

The unit takes an average of 30 minutes to adjust the room temperature by 1°F.

6 REMOTE CONTROL SENSOR

AUTO RESTART

In failure of electric power, the unit runs as previous setting operation.

Remote Controller

CAUTION: The Remote Controller will not function properly if strong light strikes the sensor window of the air conditioner or if there are obstacles between the Remote Controller and the air conditioner.

Power

Operation starts when this button is pressed and stops when you press the button again.

Temperature Control

The thermostat monitors room temperature to maintain the desired temperature.
The thermostat can be set between 60°F~86°F (16°C~30°C).
The unit takes an average of 30 minutes to adjust the room temperature by 1°F.

Fan Speed

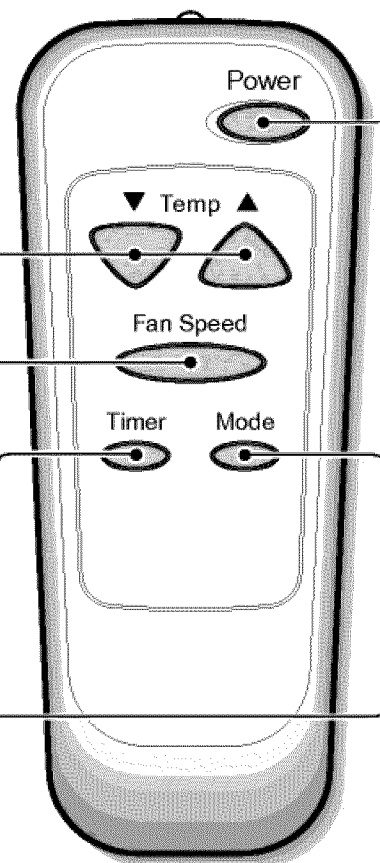
For increased power while cooling, select a higher fan speed.
3 steps: High—Low—Med

On/Off Timer

The timer can be set to start and stop the unit in hourly increments (up to 12 hours).

Operation Mode Selector

Select cooling mode to cool the room.
Select energy saver mode for energy saving operation.
Select fan mode for basic ventilating fan operation.
Select dry mode for dry operation.



How to Insert Batteries

1. Remove the cover from the back of the remote controller
2. Insert two batteries.
Be sure of the polarity when installing the batteries.
Be sure that both batteries are new.
3. Re-attach the cover.



Do not use rechargeable batteries. Such batteries differ from standard dry cells in shape, dimensions, and performance.

Remove the batteries from the remote controller if the air conditioner is not going to be used for an extended length of time.

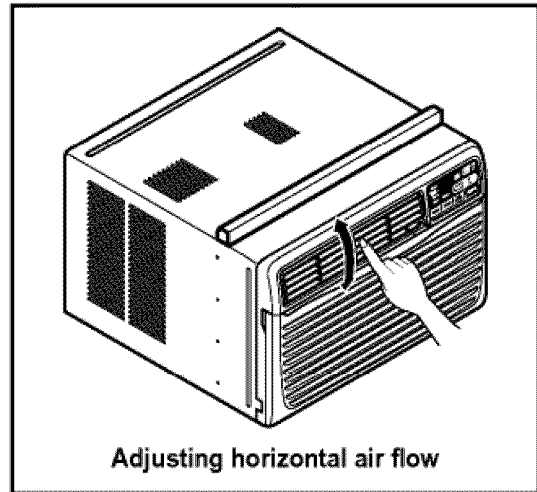
Additional Features

Air Direction

Airflow can be adjusted by changing the direction of the air conditioner's louvers. This can also increase the cooling efficiency of the air conditioner.

Adjusting Horizontal Air Flow Direction

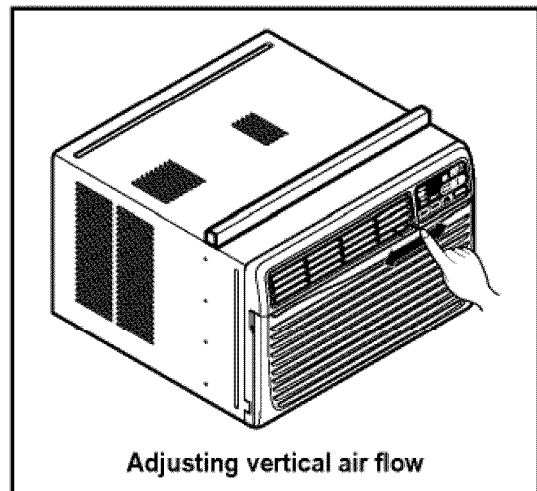
Adjusting the vertical louvers left and right will change horizontal airflow.



Adjusting horizontal air flow

Adjusting Vertical Air Flow Direction

Adjusting the horizontal vane up and down will change vertical airflow. The vane can be adjusted by nudging the back or up and down of the vane.



Adjusting vertical air flow

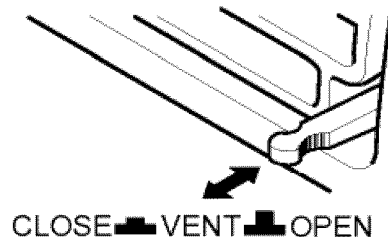
Recommended orientation of louvers

Adjust louvers to face upwards when cooling to maximize cooling efficiency.

Vent Control

For maximum cooling efficiency, CLOSE the vent. This will allow internal air circulation.

OPEN the vent to discharge stale air.



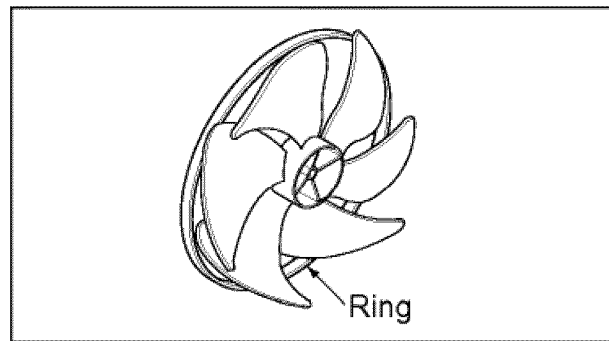
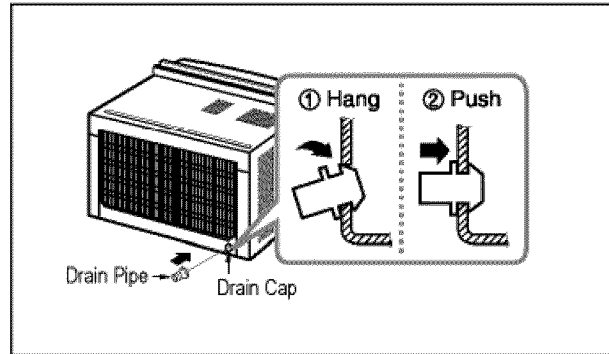
Additional Features

Drain Pipe

In humid weather, excess water may cause the Base Pan to overflow. To drain the water, remove the Drain Cap and secure the Drain Pipe to the rear hole of the Base Pan.

Press the drain pipe into the hole by pushing down and away from the fins to avoid injury.

This air conditioner is equipped with a slinger fan. (See drawing, below.) The fan has an outer ring that runs in the water that collects in the base pan if it gets deep. That condensate is then picked up by the fan and expelled through the condenser, making the air conditioner more efficient.



⚠ CAUTION: Be careful when inserting the drain pipe. Push away from the sharp fin area to avoid slipping injuring yourself.

Removal From Window

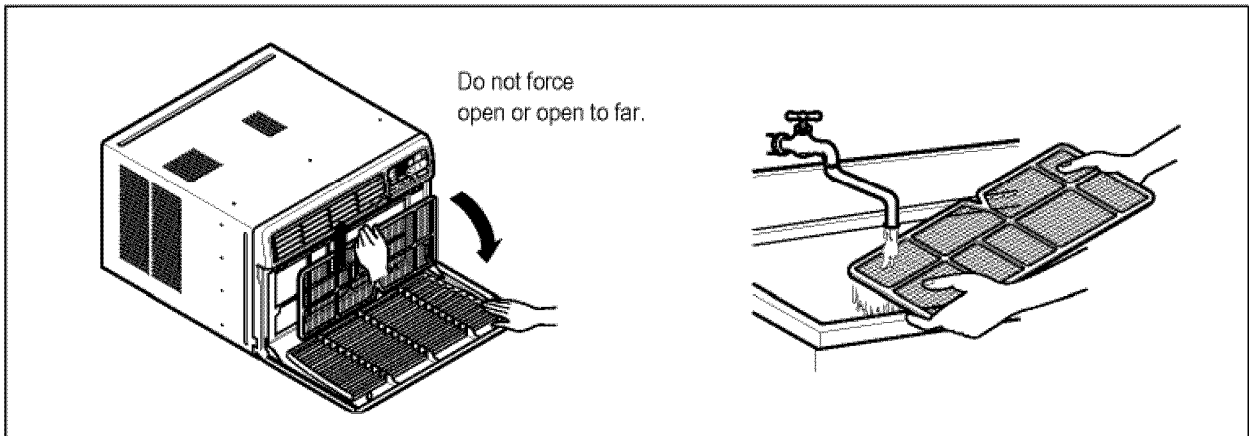
Turn the air conditioner off, disconnect the power cord, remove the L bracket, the screws and Support Bracket installed through the top and bottom of the guide panels, and save for reinstallation later. Close the guide panels. Keeping a firm grip on the air conditioner, raise the sash, and carefully tilt the air conditioner backward, draining any condensate. Lift the air conditioner from the window and remove the sash seal from between the windows.

Be sure to drain ALL condensate from the air conditioner. If you don't, it could run out while you carry the unit, making a mess and creating a slipping hazard. This simple step will save you much cleaning and make a safer work environment.

Maintenance and Service

Air Filter

Check the air filter at least twice a month to see if cleaning is necessary. Trapped particles in the filter can build up and block the airflow, reducing cooling capacity and causing an accumulation of frost on the evaporator. To clean the air filter:



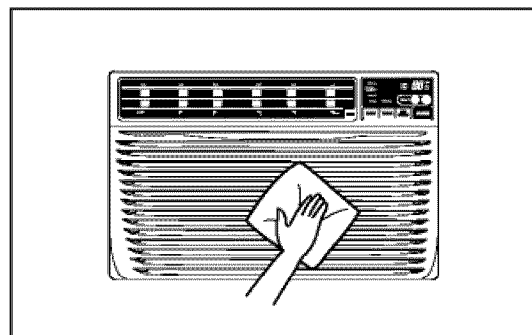
1. Pull the inlet grille forward.
2. Remove the air filter from the front grille by pulling the air filter up slightly.
3. Wash the filter using lukewarm water below 40 °C (104 °F).
4. Gently shake the excess water from the filter and replace.

Cleaning The Air Conditioner

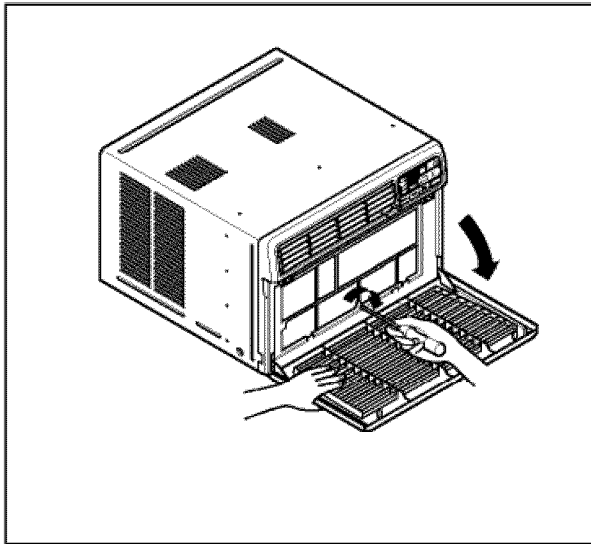
The front grille and Inlet grille may be wiped with a cloth dampened in a mild detergent solution.

The cabinet may be washed with mild soap or detergent and lukewarm water, then polished with Liquid Wax for Appliances.

To ensure continued peak efficiency, the condenser coils (outside of unit) should be checked periodically and cleaned if clogged with soot or dirt from the atmosphere.

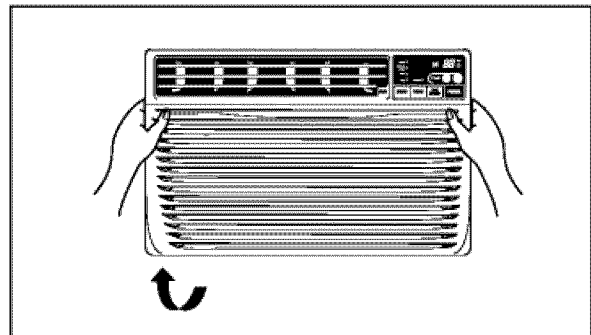


How to Remove the Front Grille



1. Pull the inlet grille forward
2. Remove the screw securing the Front Grille.

3. Push the grille up from the bottom and pull the top of the grille away from the case as the top tabs lift out of their slots.



Common Problems and Solutions

Before Calling for Service

If you have problems with your air conditioner, read the following information and try to solve the problem. If you cannot find a solution, turn off the air conditioner and contact your dealer.

Air conditioner does not operate

1. Ensure that the air conditioner is plugged into a proper outlet.
2. Check the fuse or circuit breaker.
3. Check whether the voltage is unusually high or low.

Air does not feel cold enough on the cooling setting

1. Ensure that the temperature settings are correct.
2. Check to see if the air filter is clogged with dust. If so, clean the filter.
3. Ensure that the air flow from the outside is not obstructed and that there is a clearance of over 20" between the back of the air conditioner and the wall or fence behind it.
4. Close all doors and windows and check for any source of heat in the room.



Before calling for service, please review the following list of common problems and solutions.

The air conditioner is operating normally when:

- You hear a pinging noise. This is caused by water being picked up by the fan on rainy days or in highly humid conditions. This feature is designed to help remove moisture in the air and improve cooling efficiency. See the section on Slinger Fan, page 19.
- You hear the thermostat click. This is caused by the compressor cycle starting and stopping.
- You see water dripping from the rear of the unit. Water may be collected in the base pan in highly humid conditions or on rainy days. This water overflows and drips from the rear of the unit.
- You hear the fan running while the compressor is silent. This is a normal operational feature.

Troubleshooting



The air conditioner may be operating abnormally when:

Problem	Possible Causes	What To Do
Air conditioner does not start	<ul style="list-style-type: none"> ■ The air conditioner is unplugged. 	<ul style="list-style-type: none"> • Make sure the air conditioner plug is pushed completely into the outlet.
	<ul style="list-style-type: none"> ■ The fuse is blown/circuit breaker is tripped. 	<ul style="list-style-type: none"> • Check the house fuse/circuit breaker box and replace the fuse or reset the breaker.
	<ul style="list-style-type: none"> ■ Power failure. 	<ul style="list-style-type: none"> • If power failure occurs, turn the mode control to Off. When power is restored, wait 3 minutes to restart the air conditioner to prevent tripping of the compressor overload.
Air conditioner does not cool as it should	<ul style="list-style-type: none"> ■ Airflow is restricted. 	<ul style="list-style-type: none"> • Make sure there are no curtains, blinds, or furniture blocking the front of the air conditioner.
	<ul style="list-style-type: none"> ■ The thermostat may not be set high enough. 	<ul style="list-style-type: none"> • Turn the knob to a higher number. The highest setting provides maximum cooling.
	<ul style="list-style-type: none"> ■ The air filter is dirty. 	<ul style="list-style-type: none"> • Clean the filter at least every 2 weeks. See the care and Maintenance section.
	<ul style="list-style-type: none"> ■ The room may have been hot. 	<ul style="list-style-type: none"> • When the air conditioner is first turned on, you need to allow time for the room to cool down.
	<ul style="list-style-type: none"> ■ Cold air is escaping. 	<ul style="list-style-type: none"> • Check for open furnace floor registers and cold air returns.
Air conditioner freezing up	<ul style="list-style-type: none"> ■ Ice blocks the air flow and stops the air conditioner from cooling the room. 	<ul style="list-style-type: none"> • See Air Conditioner Freezing Up below.

* You can refer to the Energy Star program in detail at www.energystar.gov.



TABLA DE CONTENIDOS

Precauciones de Seguridad	26
Antes de poner en marcha	30
Introducción	31
Símbolos Utilizados en Este Manual.	31
Características	31
Seguridad Eléctrica	32
Uso Transitorio de un Adaptador	33
Uso Temporal de un Cable Alargador	33
Instalación	34
Requerimientos de Ventana	34
Tamaño	34
Espacio Libre	35
Preparación de la Carcasa	36
Instalación de la Unidad	37
Instrucciones de Funcionamiento.....	39
Instruccions de Control	
Remoto	39
Control Remoto	40
Adicionales e Características.....	41
La Dirección del Aire	41
Control de ventilaciín	41
Tubo de Desagüe	42
Removerlo de la Ventana	42
Mantenimiento y Servicio.....	43
Filtro de Aire	43
Limpieza del Aire Acondicionado	43
Como Remover la Parilla Frontal	44
Problemas y Soluciones	
Habituales.....	45
Resolución de problemas.....	46



PARA SUS ARCHIVOS

Escriba aquí el modelo y número de serie:

Modelo n°: _____

Serie n°: _____

Puede encontrar los números en la etiqueta de la parte lateral del producto.

Nombre del distribuidor: _____

Fecha de compra: _____

- Adjunte su recibo a esta página con la grapadora para el momento que lo necesite para probar la fecha de su adquisición o para la validación de la garantía.

ESPAÑOL



LEA ESTE MANUAL

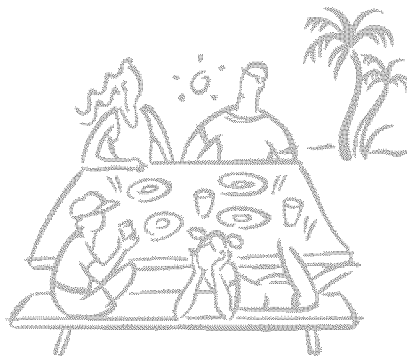
En su interior encontrará muchos consejos útiles sobre la utilización y mantenimiento de su acondicionador de aire. Unos pocos cuidados por su parte le pueden ahorrar mucho tiempo y dinero durante la vida de su acondicionador de aire.

En la tabla de consejos para la solución rápida de problemas encontrará muchas respuestas a los problemas más habituales. Si revisa primero nuestra **Tabla de Consejos** para la solución rápida de problemas, tal vez no necesite llamar nunca al servicio técnico.



PRECAUCIÓN

- Contacte a un Centro de Servicio Autorizado para reparar o realizar el mantenimiento de esta unidad. Llame a 1-800-243-0000 para ubicar el CSA más cercano.
- El aire acondicionado no es apto para ser usado por niños pequeños o discapacitados sin la supervisión adecuada.
- Los niños pequeños deben ser supervisados para asegurar que no jueguen con el aire acondicionado.
- Si hay que cambiar el cable de alimentación, solicite a un técnico de servicio que instale un recambio exacto.
- El trabajo de la instalación debe ser realizado de acuerdo al Código Eléctrico Nacional, únicamente por el personal calificado y autorizado.



Precauciones de Seguridad

Para prevenir tanto lesiones al usuario u otras personas como daños materiales, es preciso seguir estas instrucciones.

- La incorrecta operación del aparato como consecuencia de ignorar las instrucciones provocará daños o lesiones.
- A cause del peso pesado del producto, se recomienda que usted tenga a un ayudante a participa en la instalación.

⚠ ADVERTENCIA Este símbolo indica la posibilidad de lesiones mortales o graves.

⚠ PRECAUCION Este símbolo indica la posibilidad de lesiones o daños materi-ales.

- El significado de los símbolos utilizados en este manual se indica a continuación.



Asegúrese de no hacerlo.



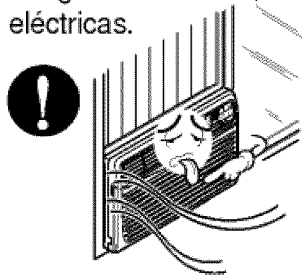
Asegúrese de seguir las instrucciones.

⚠ ADVERTENCIA

■ Instalación

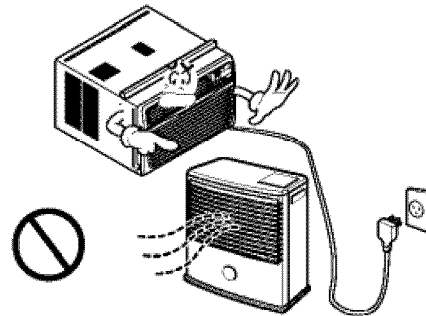
Instale siempre el (los) panel(es) de expansion.

- Un montaje o instalación defectuoso puede provocar un funcionamiento incorrecto, incluyendo riesgos de lesiones, incendios o descargas eléctricas.



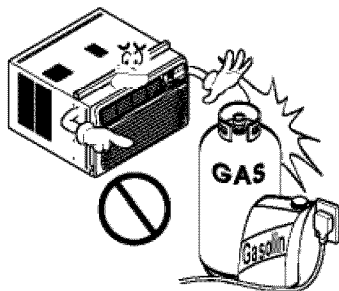
No coloque el cable eléctrico cerca de un calefactor.

- Puede causar incendio y descarga eléctrica.



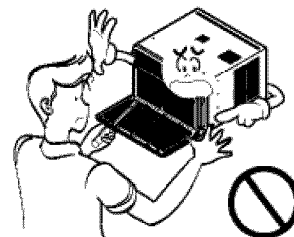
No use el cable de corriente cerca de gas inflamable o combustibles tales como gasolina, benzina, solvente, etc.

- Puede causar explosión o incendio.



No desarme o modifique los productos.

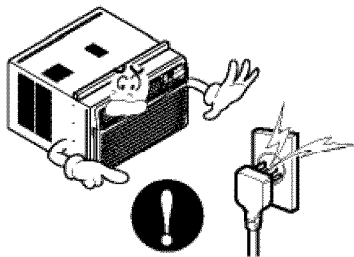
- Puede causar descarga eléctrica y fallos.



■ Funcionamiento

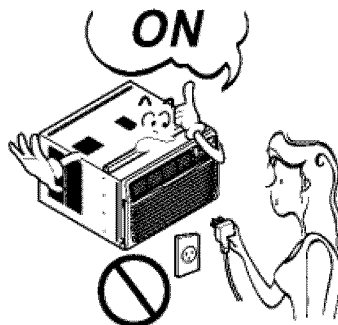
Enchufe la corriente adecuadamente.

- De otro modo, causará descarga eléctrica o incendio.



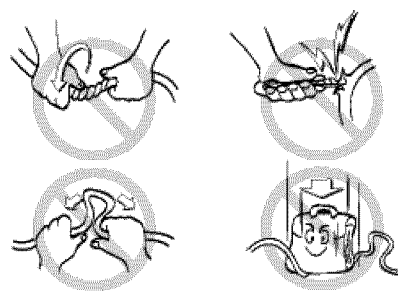
No haga funcionar o detenga la unidad insertando o tirando del enchufe.

- Causará descarga eléctrica o incendio.



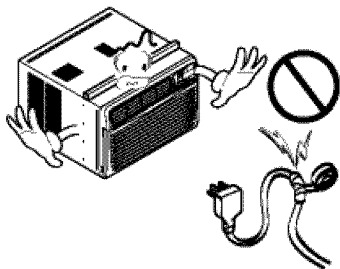
No dañe ni use un cable no especificado.

- Causará descarga eléctrica o incendio.



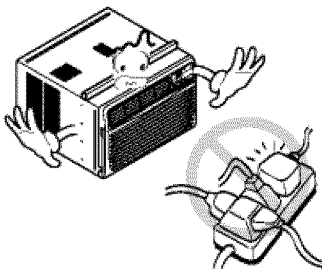
No modifique la longitud del cable de corriente eléctrica.

- Causará descarga eléctrica o incendio.



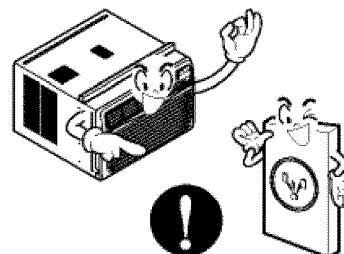
Use el aparato de aire acondicionado en un solo circuito. (Consulte la página 30). No comparta el circuito con otros electrodomésticos.

- Causará descarga eléctrica o incendio.



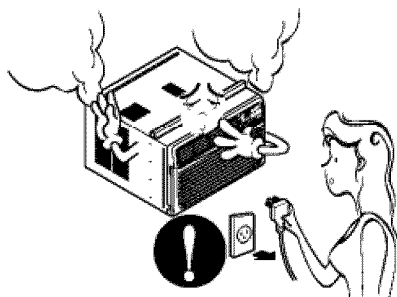
Siempre enchufe las piezas eléctricas en una salida conectada a masa.

- Si no hay conexión a masa, se puede producir una descarga eléctrica.



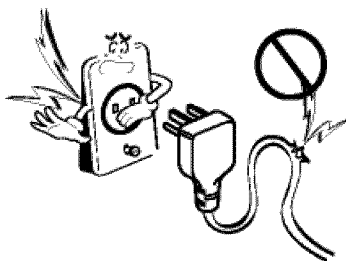
Desenchufe la unidad si se producen sonidos u olores extraños en la unidad.

- En caso que no, puede causar incendio y accidente de corto circuito.



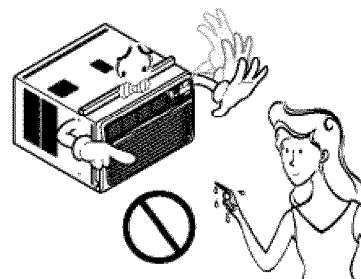
No use el tomacorriente si está suelto o dañado.

- Puede causar incendio y accidente eléctrico.



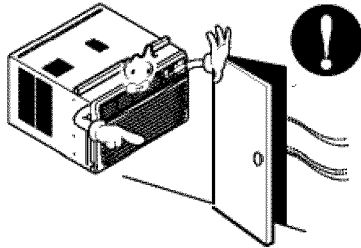
No haga funcionar la unidad con las manos húmedas o en un ambiente húmedo.

- Puede causar descarga eléctrica.



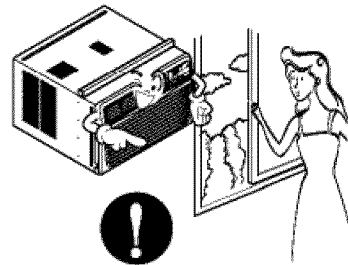
Cierre todas las puertas, ventanas y otras aberturas de la sala.

- El aparato de aire acondicionado debe operarse en un área cerrada para ser más efectivo.



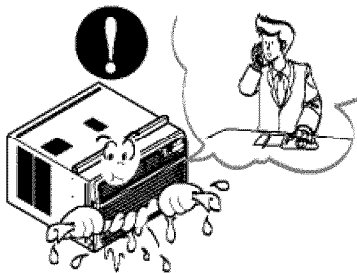
Ventile antes de hacer funcionar el acondicionador de aire cuando sale el gas.

- Puede causar explosión, incendio, quemaduras.



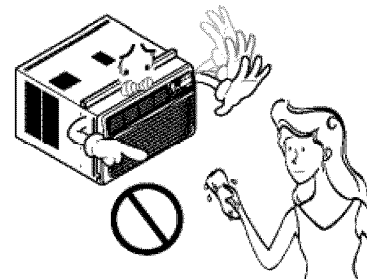
Si entra agua a la unidad, gire el interruptor principal del artefacto. Tome contacto con el centro de servicio después de desconectar el enchufe del tomacorriente.

- Causará descarga eléctrica o incendio.



No limpie la unidad de aire acondicionado con agua.

- Puede entrar agua en la unidad y disminuir la aislación. Puede causar una descarga eléctrica.

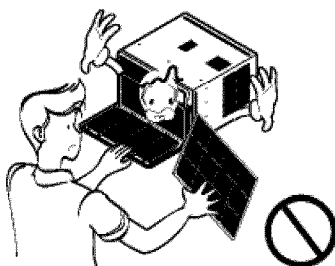


⚠ PRECAUCION

■ Instalación

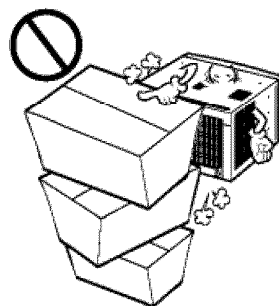
Nunca toque las piezas de metal de la unidad cuando quite el filtro.

- Son filosas y pueden causar lesiones.



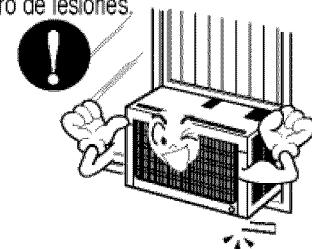
No bloquee la entrada o la salida de aire.

- Puede provocar el fallo de un electrodoméstico o deterioración de su rendimiento.



Asegúrese de que la caja externa no está dañada por los años o desgaste.

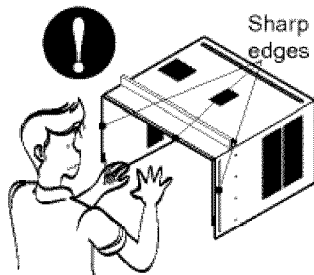
- Si la carcasa exterior está dañada, debe repararse o cambiarse inmediatamente. Dejarla podría provocar que el aparato de aire acondicionado se caiga de la ventana, con el consiguiente peligro de lesiones.



■ Funcionamiento

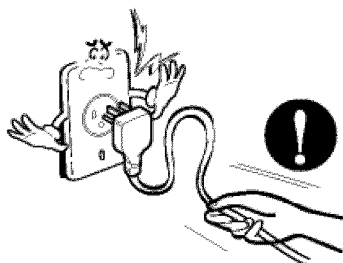
Al momento de su instalación, evite que se contacte con los bordes afilados.

- Hay riesgo de lesiones personales.



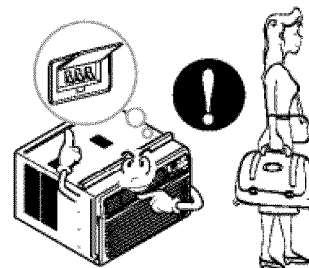
Sostenga el enchufe por el cuerpo (no del cable) cuando lo saque.

- Puede causar descarga eléctrica y daño.



Desenchufe el aparato de aire acondicionado si no va a utilizarlo durante un largo periodo de tiempo.

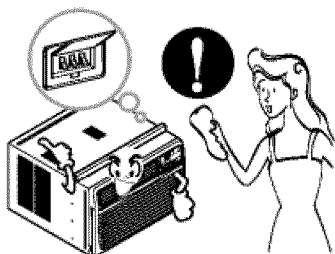
- Gastará energía en vano y podría provocar un accidente.



ESPAÑOL

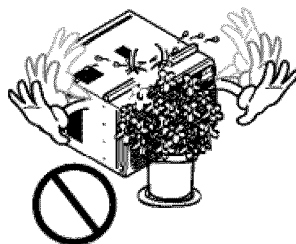
Desenchufe el aparato de aire acondicionado antes de limpiarlo.

- Como el ventilador gira a alta velocidad cuando está funcionando, puede causar lesiones.



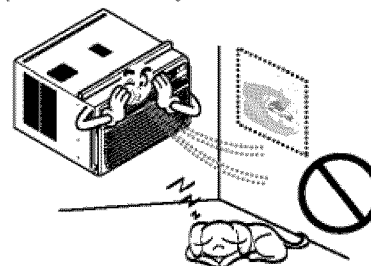
No coloque una mascota o una planta donde quede expuesto al flujo directo de aire. No se siente donde haya corrientes de aire.

- Este puede causar lesiones o daños en la mascota o la planta.



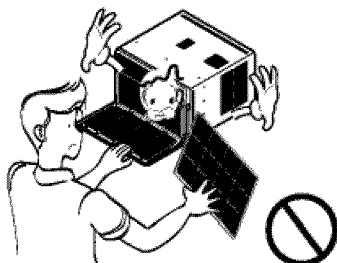
No use la unidad para propósitos especiales tales como animales o vegetales, máquinas de precisión u objetos de arte.

- Puede causar daño a los animales o vegetales y pérdida de objetos.



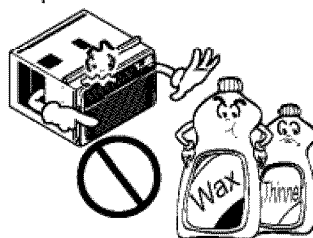
Siempre asegure los filtros al insertarlos. Límpielos cada dos semanas.

- El funcionamiento sin filtros puede dañar la unidad.



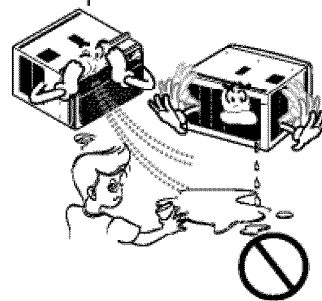
Use una paño suave para limpiar. No use ceras, solventes o un detergente fuerte

- La unidad del aire acondicionado puede deteriorarse, cambiar de color, o desarrollar manchas en la superficie.



No beba el agua drenada del acondicionador de aire. / No dirija el flujo de aire sólo a los ocupantes de la habitación.

- No es sano y podría provocar enfermedades o peligros de lesiones personales.



Antes de poner en marcha

Preparar para el funcionamiento

1. Coloque el enchufe correctamente.
2. Use un único circuito para este aparato. Recargar el circuito podría provocar un riesgo de incendios.
3. No utilice un alargador. Consulte la página 33 para más detalles.
4. No arranque/detenga el funcionamiento enchufando/desenchufando el cable de corriente eléctrica.
5. Si el alargador está dañado y ha de ser recambiado, solicite a un técnico autorizado que instale un recambio exacto.

Uso

1. Estar expuesto al flujo directo de aire por un período largo de tiempo puede constituir un riesgo para su salud. No exponga a las personas, mascotas o plantas al flujo directo por períodos largos de tiempo.
2. Debido a la posibilidad de falta de oxígeno, ventile la habitación cuando se use al mismo tiempo que estufas u otros dispositivos de calefacción.
3. No use este acondicionador de aire para propósitos determinados no especificados (por ej.: preservar dispositivos de precisión, alimentos, cachorros, plantas y objetos de arte). Tales usos puede dañar los elementos.
4. El aparato de aire acondicionado es un aparato diseñado para el confort del consumidor. No es un sistema aclimatizador.

Limpieza y mantenimiento

1. No toque las partes de metal de la unidad cuando quite el filtro. Puede lastimarse cuando manipule bordes filosos de metal.
2. No use agua para limpiar adentro del acondicionador. La exposición al agua puede destruir la aislación y esto a su vez provocar una descarga eléctrica.
3. Cuando limpie la unidad, asegúrese que la corriente y el interruptor estén desconectados. El ventilador gira a muy alta velocidad cuando está funcionando. Existe la posibilidad de lesionarse si la energía se conecta accidentalmente cuando esté limpiando las piezas internas de la unidad.

Servicio

Para reparaciones y mantenimiento, póngase en contacto con un centro de servicio autorizado. Consulte la página de garantía o llame al número (800) 243-0000. Tenga su número de modelo y número de serie a mano. Los encontrará en la página 25 de este manual.

Introducción

Símbolos Utilizados en Este Manual



Este símbolo lo advierte de un peligro de accidente por corriente eléctrica.



Este símbolo lo advierte de un peligro que pueda causar un daño del ventilador.

CONSEJO

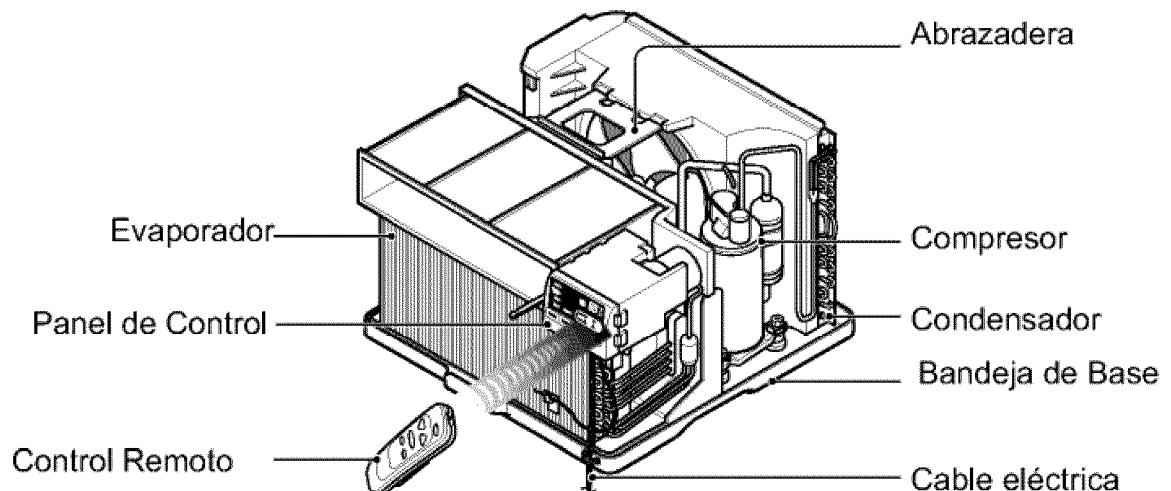
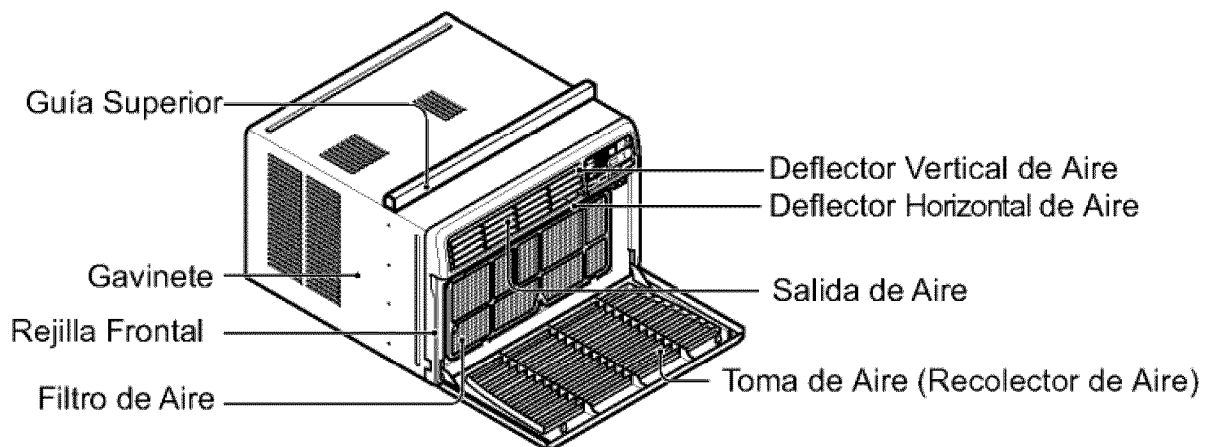
Este símbolo significa condiciones especiales.

Características



ADVERTENCIA : Este aparato debería instalarse de acuerdo con las normas del Código Eléctrico Nacional.

ESPAÑOL



Seguridad Eléctrica

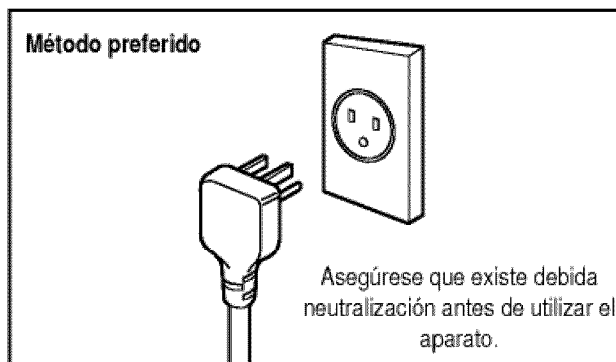


Este equipo debe estar puesto a tierra debidamente.

El cable de alimentación está equipado de una toma de tierra con tres pins. Para minimizar el peligro de una lesión por corriente eléctrica, utilice una toma con enchufe de tierra estándar con tres contactos. Si el enchufe de pared no contiene un borne de tierra, antes de usar el ventilador haga cambiar el enchufe por un electricista.



Cambiar la toma sin realizar los cambios de cableado apropiados creará un estado eléctrico inseguro que podría resultar en un incendio o descarga eléctrica. Para todo este tipo de trabajos, consulte siempre con un electricista cualificado.



No corte ni quite el borne de tierra de la clavija de alimentación



El acoplamiento del borne de tierra del adaptador con el tornillo de la cubierta del enchufe de pared no pondrá el equipo a tierra, si el tornillo de la cubierta no es de metal y está aislado y el enchufe de pared no está puesto a tierra a través de la red de la casa.

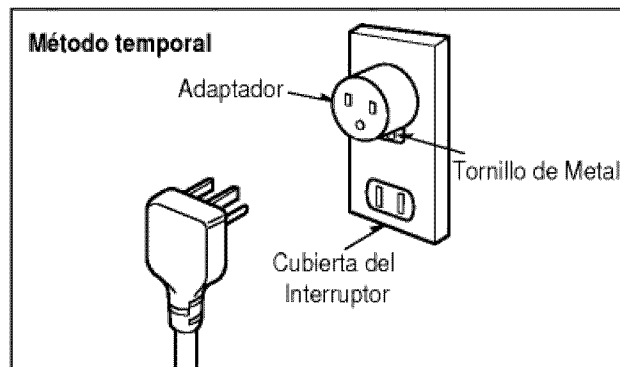


En el caso de cualquier duda respecto a la correcta puesta a tierra del ventilador, haga revisar el enchufe de pared y el circuito por un electricista profesional.

Uso Transitorio de un Adaptador

Debido a eventuales peligros de seguridad **no recomendamos en absoluto** el uso de un adaptador. Sólo para una conexión transitoria se puede usar el adaptador clasificado como UL que está a disposición en la mayoría de las tiendas de productos eléctricos. Atienda que el orificio grande en el adaptador corresponda al orificio grande en el enchufe para lograr la conexión con la polaridad correcta.

Desconectando el cable de alimentación del adaptador utilice una mano para separar partes para evitar un daño del borne de tierra. Evite una desconexión frecuente del cable de alimentación, pues puede causar un eventual daño del borne de tierra.

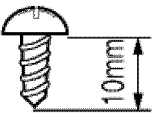
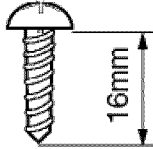
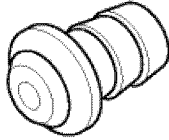
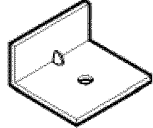
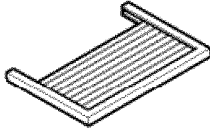



Nunca utilice el equipo con un adaptador dañado.

Uso Temporal de un Cable Alargador

Debido a un eventual peligro **no recomendamos en absoluto** el uso de un cable alargador. En situaciones excepcionales utilice sólo alargadores certificados con puesta a tierra CSA clasificados como UL con tres conductores de valores 15 A, 125 V.

Instalación

Tipo A: 11 (Tornillo corto)	Tipo B: 5 (Tornillo Mediano)	Tipo C: 1 (Tube de Drenaje)	Tipo D: 3 (El Paréntesis L)
			
Tipo E: 1 (Banda Adhesiva)	Tipo F: 1 (Banda del Marco)	Tipo G: 2 (Panel Guía)	Tipo H: 1 (Sostenga Paréntesis)
(Adhesivo posterior)	(No adhesivo posterior)		

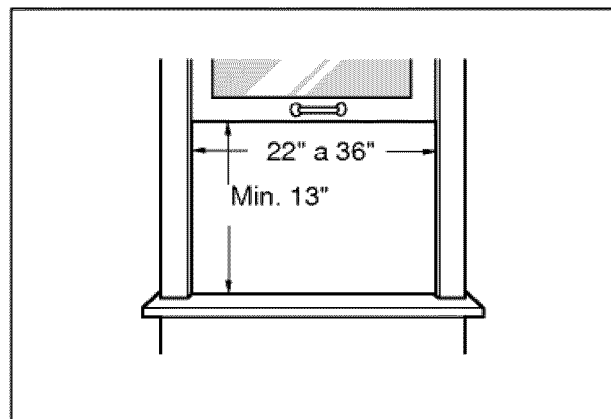
Para la instalación debería tener a disposición los instrumentos siguientes:

- * Destornillador (Estrella y Phillips)
- * Regla
- * Cucjillo
- * Martillo
- * Lápiz Nivel

Requerimientos de Ventana

Tamaño

Este ventilador de casa está construido para ventanas estándar de dos alas con la extensión real de apertura de 22" a 36". El ala superior y el inferior de la ventana deben abrirse lo suficiente para producir un orificio vertical de 13" desde el ala superior hasta el antepecho.



ADVERTENCIA : Este producto es un aparato de AIRE ACONDICIONADO PARA INSTALACIÓN EN VENTANAS. Como tal, se necesita una ventana de un cuelgue o de doble cuelgue para una instalación adecuada. No se recomiendan instalaciones en lugares que no sean ventanas, utilizando casquillos, orificios en las paredes ni cualquier otro tipo.

Espacio libre

El suficiente espacio libre aumenta la eficiencia de refrigeración de la unidad e impide la irradiación del calor del condensador.

1. Si la sobre-ventana estorba colóquese una tira de madera de 2 pulg de ancho a lo largo del descanso de la ventana por la parte que de internamente al cuarto, y en toda su extensión. La tira de madera debe ser lo suficientemente gruesa para elevar el descanso de la ventana, de tal manera que la unidad de aire acondicionado pueda ser instalada sin interferencia del marco de la sobre-ventana (storm window).
2. Ver Figura. B. La parte superior de la tira de madera debe estar aproximadamente a $\frac{3}{4}$ de pulg más alta que el marco de la sobre ventana, (storm window) para ayudar a que el agua de condensación de la unidad fluya hacia afuera.
3. Instale una segunda tira de madera (aproximadamente 6 pulg. de largo, $1\frac{1}{2}$ pulg de ancho y mismo espesor que la primeratira de madera) en el centro del descanso exterior, póngala contra la parte posterior del descanso interior. Esto elevará la ménsula L como en la Figura. B.
4. Si la distancia entre "Franja de Madera Montada Sobre la Parte superior del Descanso Interior" y "Tira de Madera Para la Mensula L y Mensula de Antepecho

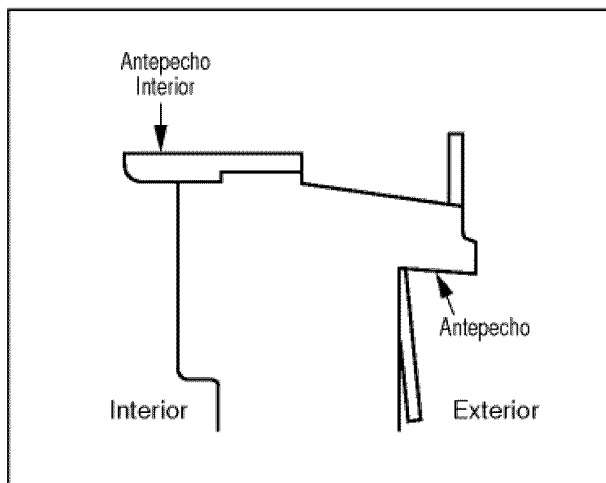


Figura. A

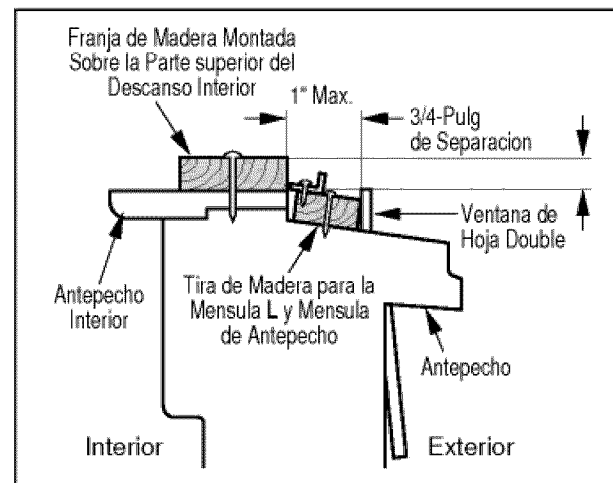
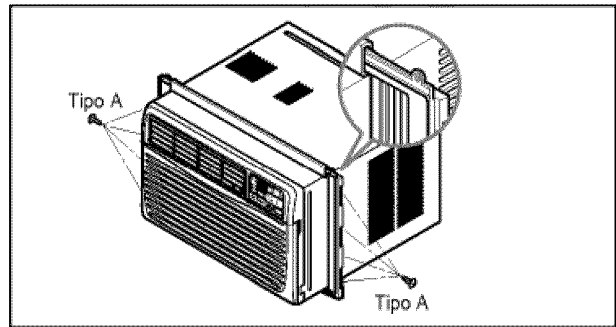


Figura. B

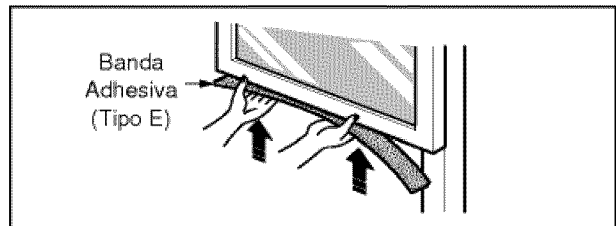
Preparación de la Carcasa

1. Introduzca los paneles en los guías del aire acondicionado. Las cortinas atorníllelas con los tornillos (Tipo A).

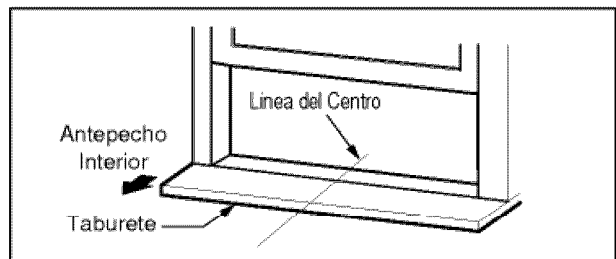
CONSEJO Use un atornillador largo. Así le será más fácil instalar los tornillos.



2. Corte la banda adhesiva (Tipo E) y colóquela del ancho de la ventana. Remueva el plástico de la banda adhesiva y colóquela en la parte superior de el marco inferior de la ventana.



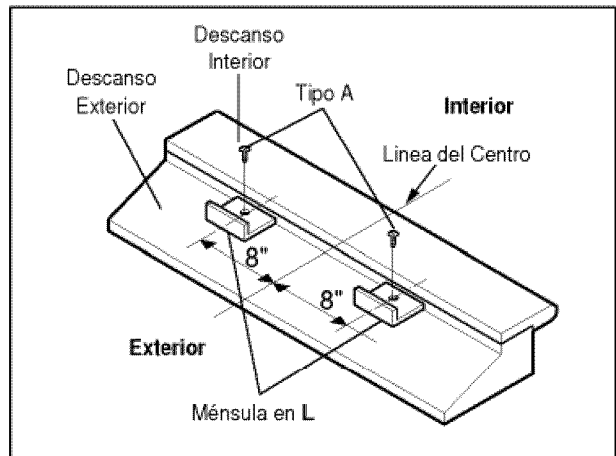
3. **Colocando la unidad en la ventana**
Abra la ventana y marque LINEA en el centro esta.



4. Coloque el Ménsula en L

- 4-1. Instale los soportes L detrás de alféizar interno de la ventana, con el lado corto del soporte como está ilustrado. Utilice 2 tornillos (Tipo A) proveidos.

- 4-2. La ménsula ayuda a que la unidad se encuentre firme. Asegúrese de poner la ménsula en L contra la parte posterior del descanso interior.

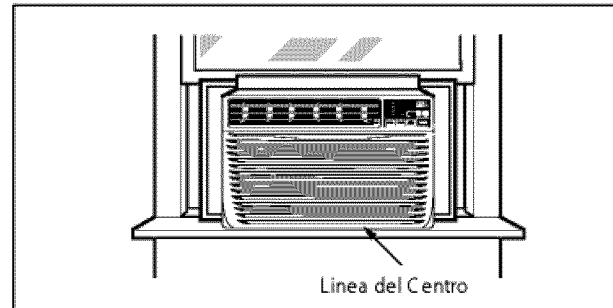


Instalación de la Unidad

- ! Precaución:** En las siguientes instrucciones, sostenga la unidad firmemente hasta que la parte corrediza de la ventana descansa sobre la parte superior del canal y por detrás del marco de los paneles corredizos. Puede haber lesiones o daños si la unidad se cae de la ventana.

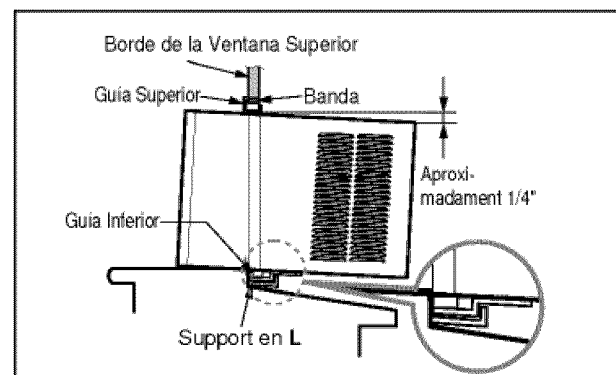
1. Instale el Aire Acondicionado a la Ventana

- 1-1. Cuidadosamente levante el aire acondicionado y colóquelo en el hoyo de la ventana. Asegúrese de que la guía inferior del aire acondicionado caiga en lugar correcto del ménsula en L.



CONSEJO Cuando el aire acondicionado sea fijado en el support en L, el aire acondicionado será centrado como pueden observar.

- 1-2. Mientras mantiene el aire acondicionado en posición, cuidadosamente baje el borde de la ventana superior hasta la guía superior del aire acondicionado. Una vez instalado debidamente el aparato de aire acondicionado, debería inclinarse ligeramente hacia abajo en su parte posterior. Si está mal puesto en la ventana, colgará más abajo por la parte posterior automáticamente. Si no lo hace, hay un problema con la instalación.

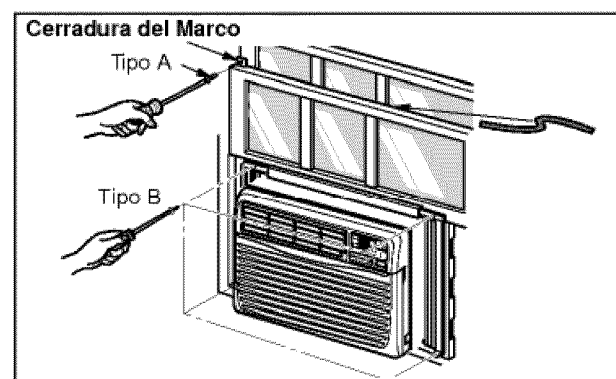


2. Asegure los Paneles

Extienda los paneles para rellenar los orificios de la ventana usando los 4 tornillos (Tipo B).

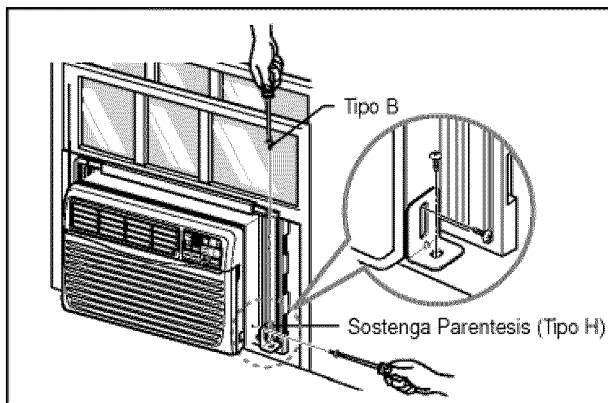
3. Instale la Banda del Marco

- 3-1. Corte la banda del marco del mismo ancho de la ventana. Coloque la banda del marco entre el vidrio y la ventana para prevenir la penetración al cuarto de insectos y aire.
- 3-2. Atornille la cerradura del marco usando un tornillo Tipo A.
- 3-3. Quite los tornillos que aseguran el gabinete y cacerola despreciable en el lado correcto.



ESPAÑOL

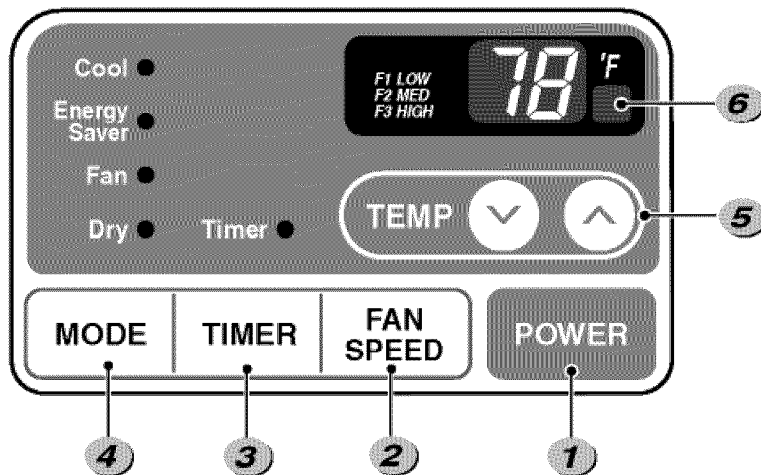
3-4. Amarre la escuadra de soporte (Tipo H) usando un tornillo que puede sacar del gabinete del aparato de aire acondicionado. Acople la escuadra (Tipo H) a la parte interior de la repisa de la ventana con un tornillo (Tipo B).



4. La instalación del aire acondicionado de ventana no estará completa. Vea SEGURIDAD ELECTRICA para conectar la extensión eléctrica al toma corriente.

Funcionamiento del control remoto

Controls



- 1 POWER (encendido)**
El funcionamiento se inicia cuando se pulsa esta tecla y se detiene cuando se la presiona nuevamente.
- 2 SELECTOR DE VELOCIDAD DEL VENTILADOR (FAN SPEED)**
Para aumentar la capacidad mientras se refresca, seleccione una mayor velocidad del ventilador.
3 Pasos: High (alta) – Low (baja) – Med (media)
- 3 CRONÓMETRO ON/OFF (ENCENDIDO/APAGADO)**
El cronómetro puede ser colocado para iniciar y detener la unidad en incrementos por hora (hasta 12 horas).
- 4 FUNCIONAMIENTO DEL MODO SELECTOR**
Seleccione el modo fresco (cool) para enfriar la habitación.
Seleccione el modo de ahorro de energía para el funcionamiento del ahorro de energía.
Seleccione el modo ventilador (fan) para el funcionamiento del ventilador.
Seleccione el modo seco (dry) para el funcionamiento seco.
- 5 CONTROL DE TEMPERATURA**
El termostato monitorea la temperatura de la habitación para mantener la temperatura deseada.
El termostato puede ser colocado entre 60°F~86°F (16°C~30°C).
La unidad toma un promedio de 30 minutos para ajustar la temperatura de la habitación en 1°F.
- 6 SENSOR DEL CONTROL REMOTO**

AUTO-ARRANQUE

En caso de fallo de la corriente eléctrica, la unidad funcionará como antes cuando vuelve la corriente.

Control Remoto

CAUTION: The Remote Controller will not function properly if strong light strikes the sensor window of the air conditioner or if there are obstacles between the Remote Controller and the air conditioner.

POWER (encendido)

El funcionamiento se inicia cuando se pulsa esta tecla y se detiene cuando se la presiona nuevamente.

CONTROL DE TEMPERATURA

El termostato monitorea la temperatura de la habitación para mantener la temperatura deseada. El termostato puede ser colocado entre 60°F~86°F (16°C~30°C). La unidad toma un promedio de 30 minutos para ajustar la temperatura de la habitación en 1°F.

SELECTOR DE VELOCIDAD DEL VENTILADOR (FAN SPEED)

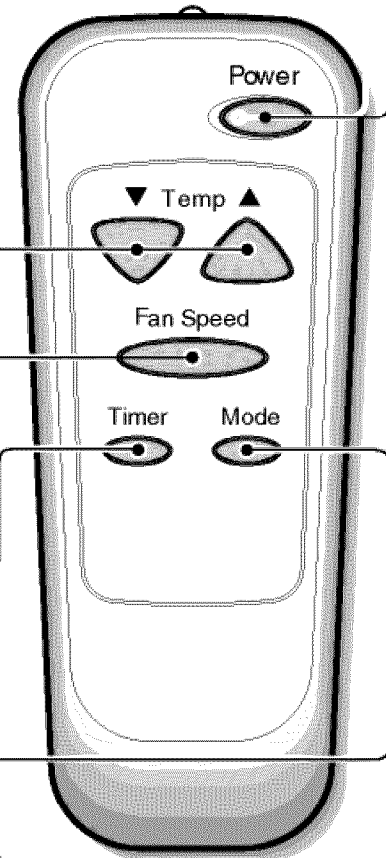
Para aumentar la capacidad mientras se refresca, seleccione una mayor velocidad del ventilador. 3 Pasos: High (alta)-Low (baja)-Med (media)

CRONÓMETRO ON/OFF (ENCENDIDO/APAGADO)

El cronómetro puede ser colocado para iniciar y detener la unidad en incrementos por hora (hasta 12 horas).

FUNCIONAMIENTO DEL MODO SELECTOR

Seleccione el modo fresco (cool) para enfriar la habitación. Seleccione el modo de ahorro de energía para el funcionamiento del ahorro de energía. Seleccione el modo ventilador (fan) para el funcionamiento del ventilador. Seleccione el modo seco (dry) para el funcionamiento seco.



How to Insert Batteries

1. Remove the cover from the back of the remote controller
2. Insert two batteries.
Be sure of the polarity when installing the batteries.
Be sure that both batteries are new.
3. Re-attach the cover.



Do not use rechargeable batteries. Such batteries differ from standard dry cells in shape, dimensions, and performance.

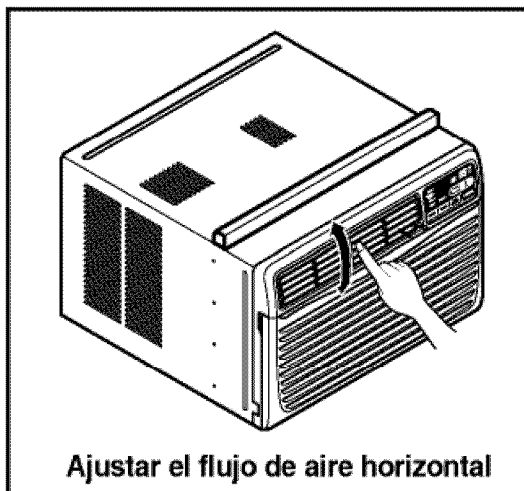
Remove the batteries from the remote controller if the air conditioner is not going to be used for an extended length of time.

Ajustar la dirección del flujo de aire

El flujo de aire puede ser ajustado cambiando la dirección de las rejillas de ventilación del acondicionador de aire. Esto puede también incrementar la eficacia del acondicionador de aire.

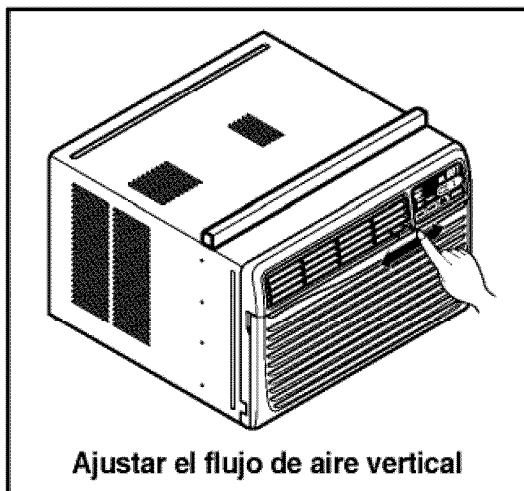
Ajustar la dirección del flujo de aire horizontal.

Ajustar las rejillas verticales hacia la izquierda y derecha cambiará el flujo horizontal.



Ajustar la dirección del flujo de aire vertical

Ajustar el álabe horizontal hacia arriba y abajocambiará el flujo de aire vertical. El álabe puede ser ajustado moviendo la parte posterior del álabe hacia arriba o abajo.



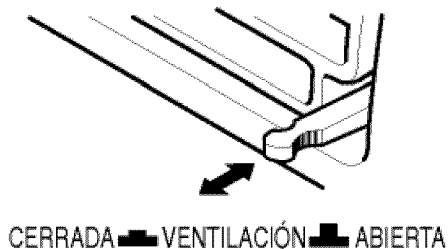
ESPAÑOL

Orientación recomendada de las rejillas

Ajuste las rejillas hacia arriba para llevar al máximo a eficacia del fresco.

Control de ventilación

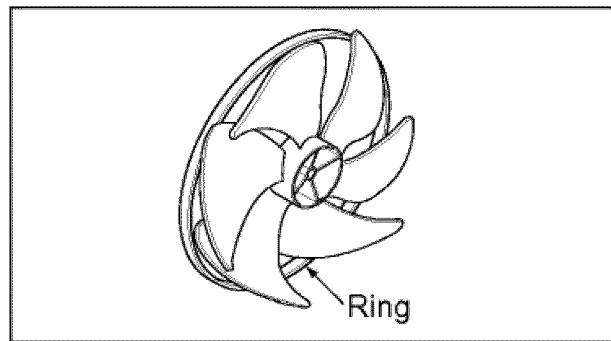
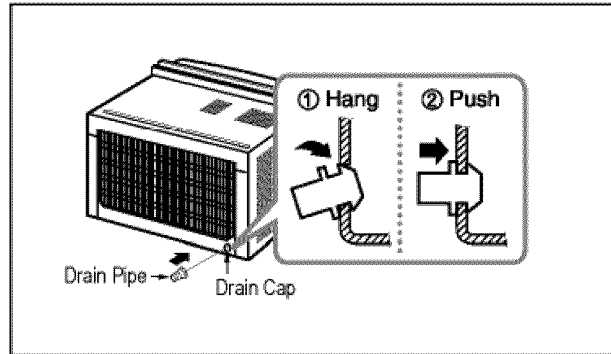
Para máxima eficiencia de frescura, CIERRE la ventilación. Esto permitirá la circulación interna de aire. ABRA la ventilación para descargar el aire viciado.



Adicionales e Características

Tubo de Desagüe

En climas húmedos, es posible que la Bandeja Evaporadora se llene de agua. Para quitar el agua acumulado, es preciso conectar el tubo de desagüe. Quite la Tapa del Desagüe y conecte el Tubo a la Bandeja Evaporadora. Este aparato de aire acondicionado va equipado con un ventilador de extracción. (Véase la ilustración de abajo). El ventilador tiene un anillo externo que gira en el agua que recoge en la plancha base al entrar en profundidad. La condensación la recoge el ventilador y la expulsa a través del condensador, haciendo más eficiente al aparato de aire acondicionado.



⚠ PRECAUCIÓN: Tenga cuidado al insertar el tubo de drenaje. Aléjalo de la area aguda para evitar el deslice y lesiones por usted mismo.

Removerlo de la Ventana

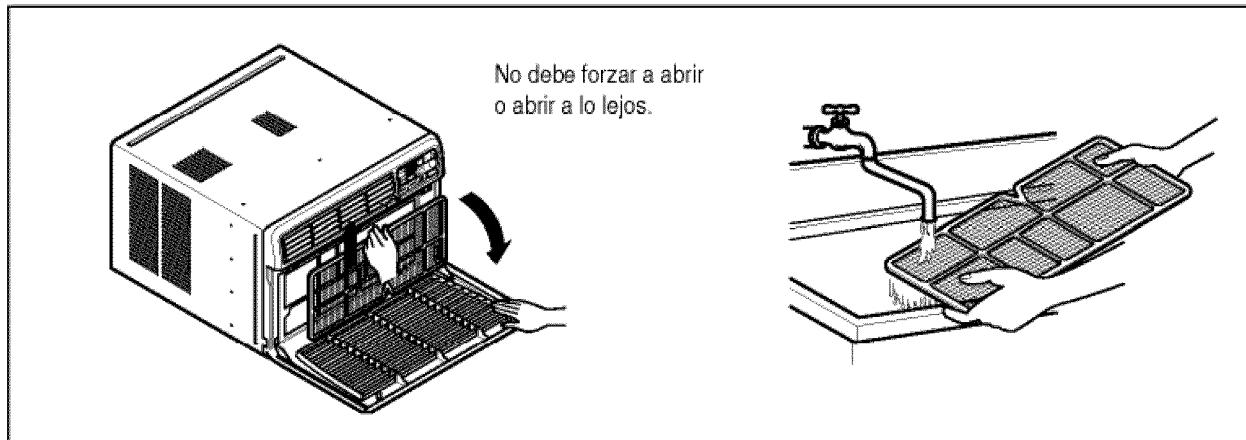
Apague el aire acondicionado, desconecte el cordón eléctrico del toma corriente, remueva la cerradura del marco y los tornillos instalados en la parte superior e inferior de los paneles, y guárdelos para reinstalación. Cierre los paneles. Manteniendo el aire acondicionado fuertemente, levante el marco de la ventana, y cuidadosamente, incline el aire acondicionado hacia atrás, botando cualquier agua condensada. Deslice el aire acondicionado 1" a la derecha, luego levántelo de la ventana y remuévale la banda del marco de la ventana.

Asegúrese de drenar TODO el condensado del aparato de aire acondicionado. Si no lo hace, podría salirse mientras transporta el aparato, ensuciando, con el consiguiente peligro de resbalones. Este simple paso le ahorrará tiempo de limpieza y hará de su lugar un entorno más seguro.

Mantenimiento y servicio

Filtro de Aire

Revise por lo menos dos veces al mes si no es necesario limpiar el filtro de aire. Las partículas detenidad se pueden acumular en el filtro impidiendo el flujo del aire, limitando el rendimiento de enfriamiento y causando la acumulación de hielo en el evaporador. Proceder de la limpieza del filtro de aire:



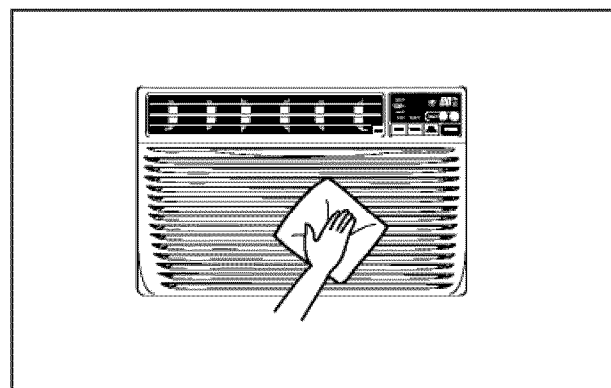
1. Levante la rejilla de entrada
2. Saque el filtro de aire de la rejilla delantera sacándolo ligeramente hacia arriba.
3. Lave el filtro con agua tibia de temperatura menor de 40 °C (104 °F).
4. Escurra ligeramente el agua sobrante del filtro y vuelva a instalarlo.

Limpieza del Aire Acondicionado

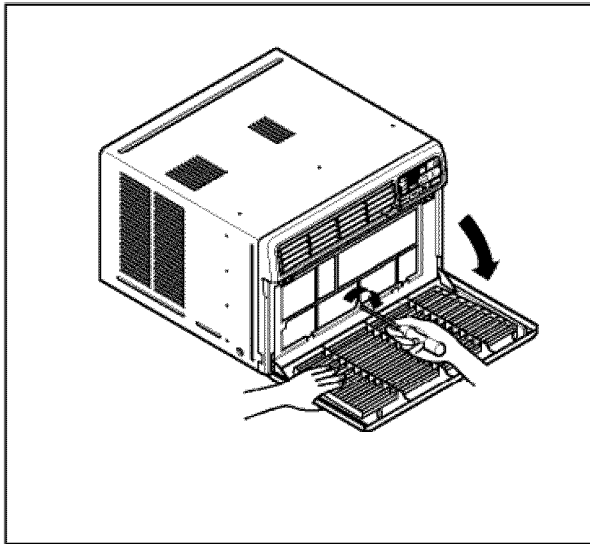
La parrilla frontal puede ser limpiada con un trapo húmedo mojado en un detergente suave.

El gabinete puede ser lavado con jabón suave o detergente y agua tibia, entonces pulido Cera Liquida para aparatos.

Para asegurarse una eficiencia continua, las bobinas del condensador (del lado expuesto al exterior) debe ser revisado y lavado periódicamente sea por que se tranque con basura o polvo de la atmosférico.

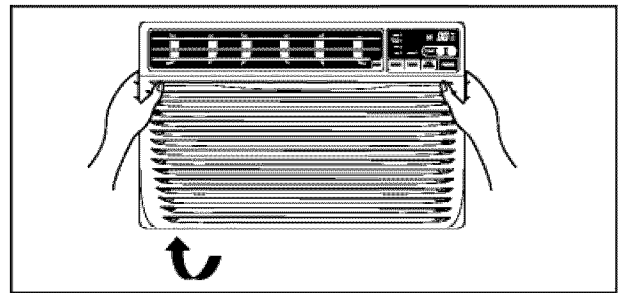


Como Remover la Parrilla Frontal



1. Tire de la rejilla de entrada hacia delante agarrando ambas lengüetas y tire del filtro del aire hasta sacarlo.
2. Saque el tornillo que asegura la Parrilla Frontal.

3. Suelte el lado izquierdo primero. Después cuidadosamente hale desde la parte de arriba y empuje hacia la derecha. Las lengüetas están aseguradas.



Problemas y Soluciones habituales

Antes de Llamar el Servicio de Asistencia Técnica

Si tiene problemas con su ventilador, lea las informaciones siguientes y trate de resolver el problema. Si no puede encontrar la solución, desconecte el ventilador y diríjase a su suministrador.

El ventilador no funciona

1. Compruebe que el ventilador esté conectado en un enchufe correcto.
2. Revise el fusible.
3. Compruebe que la tensión no sea demasiado alta o baja.

Al ajustarse el enfriamiento, el aire no parece frío lo suficiente

1. Revise si los ajustes de la temperatura son correctos
2. Revise si el filtro de aire no está atascado de polvo. En el caso de que sí, cambie el filtro.
3. Compruebe que afuera no haya un obstáculo del flujo de aire y si entre la parte trasera del ventilador y la pared o la barrera haya espacio libre de por lo menos 1 metro (20").
4. Cierre todas las puertas y ventanas y compruebe que no haya una fuente de calor en la habitación.



Antes de llamar al servicio, tenga a bien revisar la siguiente lista de problemas y sus soluciones.

El acondicionador de aire está funcionando normalmente cuando:

- Escucha un sonido metálico. Lo causa el agua que recoge el condensador en días lluviosos o en condiciones de mucha humedad. Esta característica está diseñada para ayudar a quitar la humedad en el aire y mejorar la capacidad de enfriamiento.
Consulte la sección del Ventilador de extracción en la página 42.
- Oye un clic en el termostato. Lo causa el ciclo del compresor que comienza y se detiene.
- Ve gotear agua de la parte posterior de la unidad. El agua puede ser recogida en la bandeja de base en condiciones de mucha humedad o días de lluvia. Esta agua desborda y gotea desde la parte posterior de la unidad.
- Oye funcionar el ventilador mientras el compresor está silencioso. Esto es una característica operativa normal.

Resolución de problemas

El acondicionador de aire puede estar funcionando anormalmente cuando:

Problema	Causas posibles	Qué hacer
El aire acondicionado no enciende	■ El aire acondicionado está desconectado.	• Asegúrese que el aire acondicionado está conectado completamente a la fuente de energía.
	■ El fusible está quemado/el interruptor de energía se ha bloqueado.	• Cheque los fusibles/interruptor de la casa y reemplace los fusibles o reestablezca el interruptor de energía.
	■ Falta de energía.	• Cuando la energía se reestablezca, espere 3 minutos para encender de nuevo el aire acondicionado. Con esto evitará que se produzca una sobrecarga en el compresor.
El aire acondicionado no enfría como debiera	■ El flujo de aire está restringido.	• Asegúrese que no haya cortinas, persianas o muebles bloqueando el frente del aire acondicionado.
	■ Coloque el control de TEMPERATURA en un número más alto.	• Ajustar el control de temperatura a un número más bajo.
	■ El filtro de aire está sucio.	• Limpie el filtro por lo menos cada dos semanas. Vea la sección de instrucciones de operación.
	■ El cuarto aún está caliente.	• Cuando usted enciende el aire acondicionado debe esperar un momento para que la habitación se enfríe.
	■ El aire frío se está escapando.	• Asegúrese que todas las salidas de aire estén cerradas para que el aire regrese.
El aire acondicionado enfría demasiado	■ El serpentín de refrigeración se ha congelado.	• Establezca una temperatura más alta.
	■ El hielo bloquea el flujo de aire y detiene el enfriamiento del cuarto.	• Elija el modo alto del ventilador High Fan o enfriado alto High Cool con el termostato en el número 1 o 2.

Usted puede referirse al Energy Star programa con todo detalle en www.energystar.gov.



GOLDSTAR AIR CONDITIONER LIMITED WARRANTY – USA

Goldstar will repair or replace your product, at Goldstar's option, if it proves to be defective in material or workmanship under normal use, during the warranty period set forth below, effective from the date of original consumer purchase of the product. This limited warranty is good only to the original purchaser of the product and effective only when used in the United States, including Alaska, Hawaii, and U.S. Territories.

<p><u>WARRANTY PERIOD:</u></p> <p>Labor: 1 Year from the Date of Purchase.</p> <p>Parts: 1 Year from the Date of Purchase.</p> <p>Compressor: 5 Years from the Date of Purchase.</p>	<p><u>HOW SERVICE IS HANDLED:</u></p> <p>Call 1-800-243-0000 and choose the appropriate prompt. Please have product type (Air Conditioner), model number, serial number, and ZIP/postal code ready.</p> <p>The terms of this warranty cover in-home service on the indicated models.</p>
--	---

THIS WARRANTY IS IN LIEU OF ANY OTHER WARRANTIES, EXPRESS OR IMPLIED, INCLUDING WITHOUT LIMITATION, ANY WARRANTY OF MERCHANTABILITY OR FITNESS FOR A PARTICULAR PURPOSE. TO THE EXTENT ANY IMPLIED WARRANTY IS REQUIRED BY LAW, IT IS LIMITED IN DURATION TO THE EXPRESS WARRANTY PERIOD ABOVE. LG WILL NOT BE LIABLE FOR ANY CONSEQUENTIAL, INDIRECT, OR INCIDENTAL DAMAGES OF ANY KIND, INCLUDING LOST REVENUES OR PROFITS, IN CONNECTION WITH THE PRODUCT. SOME STATES DO NOT ALLOW LIMITATION ON HOW LONG AN IMPLIED WARRANTY LASTS OR THE EXCLUSION OF INCIDENTAL OR CONSEQUENTIAL DAMAGES, SO THE ABOVE LIMITATIONS OR EXCLUSIONS MAY NOT APPLY TO YOU.

THIS LIMITED WARRANTY DOES NOT APPLY TO:

1. Service trips to your home to deliver, pick up, and/or install the product, instruct, or replace house fuses or correct wiring, or correction of unauthorized repairs; and
2. Damages or operating problems that result from misuse, abuse, operation outside environmental specifications or contrary to the requirements or precautions in the Operating Guide, accident, vermin, fire, flood, improper installation, acts of God, unauthorized modification or alteration, incorrect electrical current or voltage, or commercial use, or use for other than intended purpose.
3. Therefore, the cost of repair or replacement of such a defective product shall be borne by the consumer.

CUSTOMER INTER-ACTIVE CENTER NUMBERS:

<p>To Prove Warranty Coverage</p>	<p>Retain your Sales Receipt to prove date of purchase. A copy of your Sales Receipt must be submitted at the time warranty service is provided.</p>
<p>To Obtain Nearest Authorized Service Center or Sales Dealer, or to Obtain Product, Customer, or Service Assistance</p>	<p>Call 800-984-7469, 24 hrs a day, 7 days per week. Press the appropriate option, and please have your product type (AIR CONDITIONER), and ZIP/postal code ready.</p>