



## STEAM DRYERS™

### USER'S GUIDE & INSTALLATION INSTRUCTIONS

Before beginning installation, read these instructions carefully. This will simplify installation and ensure that the dryer is installed correctly and safely. Leave these instructions near the dryer after installation for future reference.

## STEAM DRYERS™ Secador con vapor

### GUÍA DEL USUARIO E INSTRUCCIONES DE INSTALACIÓN

Antes de comenzar la instalación, lea atentamente estas instrucciones. Esto simplificará la instalación y asegurará que la secadora está instalada en forma correcta y segura. Conserve estas instrucciones cerca de la secadora luego de la instalación para futuras consultas.

## STEAM DRYERS<sup>MC</sup> Sécheuse de vapeur

### GUIDE DE L'UTILISATEUR ET DIRECTIVES D'INSTALLATION

Avant de commencer à installer votre sécheuse, lisez attentivement ces instructions. Cela simplifiera votre installation et assurera que la sécheuse est installée correctement et en toute sécurité. Conservez ces instructions à proximité de la sécheuse après son installation, pour référence future.



#### Models/Modelos/Modèles

Electric/Eléctrica/Électrique	Gas/Gas/À gaz
DLEX2901W	DLGX2902W
DLEX2901V	DLGX2902V
DLEX2901R	DLGX2902R
DLEX2901S	DLGX2902S
DLEX2901L	DLGX2902L

To contact LG Electronics, 24 hours a day,  
7 days a week:

**1-800-243-0000**

Or visit us on the Web at: [us.lge.com](http://us.lge.com)

Número telefónico de LG Electronics, las 24  
horas del día, 7 días a la semana:

**1-800-243-0000**

O visítenos en la Web en: [us.lge.com](http://us.lge.com)

To contact LG Electronics, 24 hours a day,  
7 days a week :

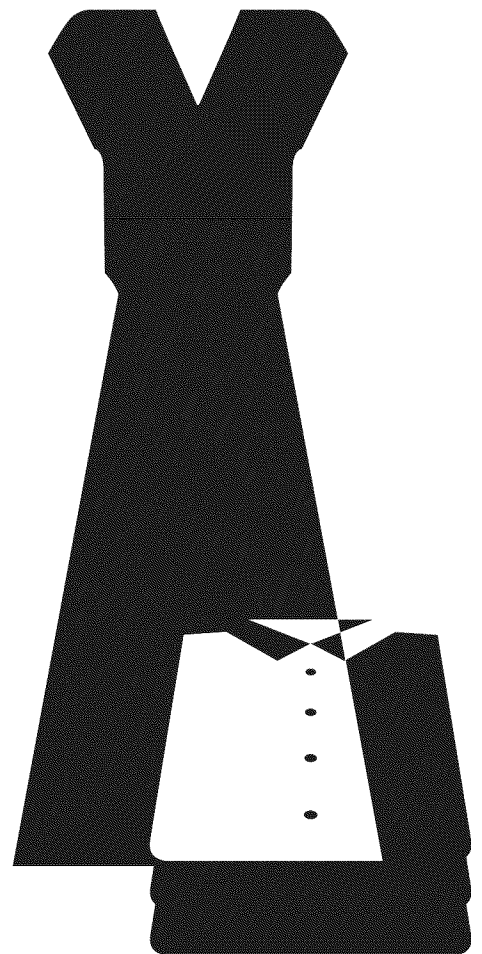
**1-888-LGCANADA**

Or visit us on the Web at : [ca.lge.com](http://ca.lge.com)

Pour contacter LG Electronics, 24 heures  
Par jour, 7 jours par semaine :

**1-888-LGCANADA**

Ou visitez notre site Web a l'adresse :  
[ca.lge.com](http://ca.lge.com)



# INTRODUCTION

## IMPORTANT SAFETY INSTRUCTIONS

What to Do if You Smell Gas .....	3
Basic Safety Precautions .....	4
California safe drinking water and toxic enforcement act .....	4
Grounding Instructions .....	5
Safety Instructions for Installation .....	5, 6
Safety Instructions for Steam Functions .....	6
Safety Instructions for Connecting Electricity .....	7

## PARTS AND FEATURES

Special Features .....	8
Key Parts and Components .....	9

## INSTALLATION INSTRUCTIONS

IMPORTANT: Read all installation instructions completely before installing and operating your dryer!	
Choose the Proper Location .....	10
Clearances .....	10
Installation With Optional Pedestal Base or Stacking Kit .....	11
Optional Accessories .....	11
Leveling the Dryer .....	12
Reversing the Door Swing .....	12
Changing the Dryer Vent Location .....	13
Venting the Dryer .....	14, 15
Connecting Gas Dryers .....	16, 17
Connecting Electric Dryers .....	18–22
Special Requirements for Manufactured or Mobile Homes .....	23
Final Installation Check .....	23
Flow Check (Duct condition test) .....	24

## HOW TO USE

Sorting Loads .....	25
Loading the Dryer .....	25
Check the Lint Filter Before Every Load .....	25
Control Panel Features .....	26
Cycle Guide .....	27
The Display .....	28
Operating the Dryer .....	29
Cycle Setting Buttons .....	29
Cycle Option Buttons .....	30
Special Functions .....	31
Custom Program .....	32
Steam Functions .....	32–34
Steam Cycle Guide .....	34

## USER MAINTENANCE INSTRUCTIONS

Regular Cleaning .....	35
------------------------	----

## TROUBLESHOOTING

Before Calling for Service .....	36–38
----------------------------------	-------

## THANK YOU!

Congratulations on your purchase and welcome to the LG family. Your new LG Dryer combines the most advanced drying sensor technology with simple operation and high efficiency. By following the operating and care instructions in this manual, your dryer will provide you with many years of reliable service.

## OPTIONAL ACCESSORIES/SPECIFICATIONS

Optional Accessories .....	39
Pedestal Installation .....	40, 41
Stacking Kit Installation .....	42, 43
Key Dimensions and Specifications .....	43

## WARRANTY

44, 45



# IMPORTANT SAFETY INSTRUCTIONS

## READ ALL INSTRUCTIONS BEFORE USE

**⚠️ WARNING** For your safety, the information in this manual must be followed to minimize the risk of fire or explosion, electric shock, or to prevent property damage, personal injury, or loss of life.

### Your Safety and the safety of others is very important.

We have provided many important safety messages in this manual and on your appliance. Always read and obey all safety messages.



This is the safety alert symbol.

This symbol alerts you to potential hazards that can kill or hurt you and others.

All safety messages will follow the safety alert symbol and either the word DANGER or WARNING.

These words mean:

**⚠️ DANGER:** You can be killed or seriously injured if you don't immediately follow instructions.

**⚠️ WARNING:** You can be killed or seriously injured if you don't follow instructions.

All safety messages will tell you what the potential hazard is, tell you how to reduce the chance of injury, and tell you what can happen if the instructions are not followed.

- Do not install a clothes dryer with flexible plastic venting materials. If flexible metal (foil type) duct is installed, it must be of a specific type identified by the appliance manufacturer as suitable for use with clothes dryers. Flexible venting materials are known to collapse, be easily crushed, and trap lint. These conditions will obstruct clothes dryer airflow and increase the risk of fire.
- Do not store or use gasoline or other flammable vapors and liquids in the vicinity of this appliance or any other appliances.
- Installation and service must be performed by a qualified installer, service agency, or the gas supplier.
- Install the clothes dryer according to the manufacturer's instructions and local codes.
- Save these instructions.

## WHAT TO DO IF YOU SMELL GAS:

1. Do not try to light a match or cigarette, or turn on any gas or electrical appliance.
2. Do not touch any electrical switches. Do not use any phone in your building.
3. Clear the room, building, or area of all occupants.
4. Immediately call your gas supplier from a neighbor's phone. Follow the gas supplier's instructions carefully.
5. If you cannot reach your gas supplier, call the fire department.

# IMPORTANT SAFETY INSTRUCTIONS

## READ ALL INSTRUCTIONS BEFORE USE

**⚠WARNING** For your safety, the information in this manual must be followed to minimize the risk of fire or explosion, electric shock, or to prevent property damage, personal injury, or loss of life.

## BASIC SAFETY PRECAUTIONS

**⚠WARNING:** To reduce the risk of fire, electric shock, or injury to persons when using this appliance, follow basic precautions, including the following:

- Read all instructions before using the dryer.
- Before use, the dryer must be properly installed as described in this manual.
- Do not place items exposed to cooking oils in your dryer. Items contaminated with cooking oils may contribute to a chemical reaction that could cause a load to catch fire.
- Do not dry articles that have been previously cleaned in, washed in, soaked in, or spotted with gasoline, dry-cleaning solvents, or other flammable or explosive substances as they give off vapors that could ignite or explode.
- Do not reach into the dryer if the drum or any other part is moving.
- Do not repair or replace any part of the dryer or attempt any servicing unless specifically recommended in this Use and Care Guide or in published user-repair instructions that you understand and have the skills to carry out.
- Do not tamper with controls.
- Before the dryer is removed from service or discarded, remove the door to the drying compartment.
- Do not allow children to play on or in the dryer. Close supervision of children is necessary when the dryer is used near children.
- Do not use fabric softeners or products to eliminate static unless recommended by the manufacturer of the fabric softener or product.
- Do not use heat to dry articles containing foam rubber or similarly textured rubber-like materials.
- Keep area around the exhaust opening and adjacent surrounding areas free from the accumulation of lint, dust, and dirt.
- The interior of the dryer and exhaust vent should be cleaned periodically by qualified service personnel.
- Do not install or store the dryer where it will be exposed to the weather.
- Always check the inside of the dryer for foreign objects.
- Clean lint screen before or after each load.

## CALIFORNIA SAFE DRINKING WATER AND TOXIC ENFORCEMENT ACT

This act requires the governor of California to publish a list of substances known to the state to cause cancer, birth defects, or other reproductive harm and requires businesses to warn customers of potential exposure to such substances.

Gas appliances can cause minor exposure to four of these substances, namely benzene, carbon monoxide, formaldehyde, and soot, caused primarily by the incomplete combustion of natural gas or LP fuels.

Properly adjusted dryers will minimize incomplete combustion. Exposure to these substances can be minimized further by properly venting the dryer to the outdoors.

# IMPORTANT SAFETY INSTRUCTIONS

## READ ALL INSTRUCTIONS BEFORE USE

**⚠️ WARNING** For your safety, the information in this manual must be followed to minimize the risk of fire or explosion, electric shock, or to prevent property damage, personal injury, or loss of life.

### GROUNDING INSTRUCTIONS

This appliance must be grounded. In the event of malfunction or breakdown, grounding will reduce the risk of electric shock by providing a path of least resistance for electric current. This appliance must be equipped with a cord having an equipment-grounding conductor and a grounding plug. The plug must be plugged into an appropriate outlet that is properly installed and grounded in accordance with all local codes and ordinances.

**⚠️ WARNING** — Improper connection of the equipment-grounding conductor can result in a risk of electric shock. Check with a qualified electrician or service person if you are in doubt as to whether the appliance is properly grounded.

Do not modify the plug provided with the appliance. If it will not fit the outlet, have a proper outlet installed by a qualified electrician.

This appliance must be connected to a grounded metal, permanent wiring system or an equipment-grounding conductor must be run with the circuit conductors and connected to the equipment-grounding terminal or lead on the appliance.

Electrical shock can result if the dryer is not properly grounded.

### SAFETY INSTRUCTIONS FOR INSTALLATION

**⚠️ WARNING:** To reduce the risk of fire, electric shock, or injury to persons when using this appliance, follow basic precautions, including the following:

- **Properly ground dryer to conform with all governing codes and ordinances.** Follow details in the installation instructions. Electrical shock can result if the dryer is not properly grounded.
- **Before use, the dryer must be properly installed as described in this manual.** Electrical shock can result if the dryer is not properly grounded.
- **Install and store the dryer where it will not be exposed to temperatures below freezing or exposed to the weather.**
- **All repairs and servicing must be performed by an authorized servicer unless specifically recommended in this Owner's Guide. Use only authorized factory parts.** Failure to follow this warning can cause serious injury, fire, electrical shock, or death.
- **To reduce the risk of electric shock, do not install the dryer in humid spaces.** Failure to follow this warning can cause serious injury, fire, electrical shock, or death.
- **Connect to a properly rated, protected, and sized power circuit to avoid electrical overload.** Improper power circuit can melt, creating electrical shock and/or fire hazard.
- **Remove all packing items and dispose of all shipping materials properly.** Failure to do so can result in death, explosion, fire, or burns.
- **Place dryer at least 18 in. above the floor for a garage installation.** Failure to do so can result in death, explosion, fire, or burns.
- **Keep all packaging from children.** Packaging material can be dangerous for children. There is a risk of suffocation.
- **Do not install nearby heat item.** Such as stove, cooking oven. Failure to do so can cause deform, smoke and fire.
- **Do not place candle and cigarettes on top of the product.** Failure to do so can cause deform, smoke and fire.
- **Remove all protective vinyl film from the product.** Failure to do so can cause deform, smoke and fire.

# IMPORTANT SAFETY INSTRUCTIONS

## READ ALL INSTRUCTIONS BEFORE USE

**⚠WARNING** For your safety, the information in this manual must be followed to minimize the risk of fire or explosion, electric shock, or to prevent property damage, personal injury, or loss of life.

### SAFETY INSTRUCTIONS FOR INSTALLATION

#### Exhaust/Ducting:

- Gas dryers **MUST** be exhausted to the outside. Failure to follow these instructions can result in fire or death.
- The dryer exhaust system must be exhausted to the outside of the dwelling. If the dryer is not exhausted outdoors, some fine lint and large amounts of moisture will be expelled into the laundry area. An accumulation of lint in any area of the home can create a health and fire hazard.
- Use only rigid metal or flexible metal 4-in. diameter ductwork inside the dryer cabinet or for exhausting to the outside. Use of plastic or other combustible ductwork can cause a fire. Punctured ductwork can cause a fire if it collapses or becomes otherwise restricted in use or during installation.
- Ductwork is not provided with the dryer, and you should obtain the necessary ductwork locally. The end cap should have hinged dampers to prevent backdraft when the dryer is not in use. Failure to follow these instructions can result in fire or death.
- The exhaust duct must be 4 in. (10.2 cm) in diameter with no obstructions. The exhaust duct should be kept as short as possible. Make sure to clean any old ducts before installing your new dryer. Failure to follow these instructions can result in fire or death.
- Rigid or semi rigid metal ducting is recommended for use between the dryer and the wall. In special installations when it is impossible to make a connection with the above recommendations, a UL-listed flexible metal transition duct may be used between the dryer and wall connection only. The use of this ducting will affect drying time. Failure to follow these instructions can result in fire or death.
- DO NOT use sheet metal screws or other fasteners which extend into the duct that could catch lint and reduce the efficiency of the exhaust system. Secure all joints with duct tape. For complete details, follow the Installation Instructions. Failure to follow these instructions can result in fire or death.

### SAFETY INSTRUCTIONS FOR STEAM FUNCTIONS

**⚠WARNING:** To reduce the risk of fire, electric shock, or injury to persons when using this appliance, follow basic precautions, including the following:

- Do not open the dryer door during steam cycles. Failure to follow these instructions can result in a burn hazard.
- Do not dry articles that have been previously cleaned in, washed in, soaked in, or spotted with gasoline, dry-cleaning solvents, or other flammable or explosive substances as they give off vapors that could ignite or explode. Failure to follow these instructions can result in fire or death.
- Do not fill the steam feeder with gasoline, dry-cleaning solvents, or other flammable or explosive substances. Failure to follow these instructions can result in fire or death.
- Do not touch the steam nozzle in the drum during or after the steam cycle. Failure to follow these instructions can result in a burn hazard.
- Do not fill the steam feeder with hot water (over 86°F/30°C). Failure to follow these instructions can result in a burn hazard.

# IMPORTANT SAFETY INSTRUCTIONS

## READ ALL INSTRUCTIONS BEFORE USE

**⚠️ WARNING** For your safety, the information in this manual must be followed to minimize the risk of fire or explosion, electric shock, or to prevent property damage, personal injury, or loss of life.

### SAFETY INSTRUCTIONS FOR CONNECTING ELECTRICITY

**⚠️ WARNING:** To reduce the risk of fire, electric shock, or injury to persons when using this appliance, follow basic precautions, including the following:

- **Do not, under any circumstances, cut or remove the ground prong from the power cord.** To prevent personal injury or damage to the dryer, the electrical power cord must be plugged into a properly grounded outlet.
- **For personal safety, this dryer must be properly grounded.** Failure to do so can result in electrical shock or injury.
- **Refer to the installation instructions in this manual for specific electrical requirements for your model.** Failure to follow these instructions can create an electrical shock hazard and/or a fire hazard.
- **This dryer must be plugged into a properly grounded outlet. Electrical shock can result if the dryer is not properly grounded. Have the wall outlet and circuit checked by a qualified electrician to make sure the outlet is properly grounded.** Failure to follow these instructions can create an electrical shock hazard and/or a fire hazard.
- **The dryer should always be plugged into its own individual electrical outlet which has a voltage rating that matches the rating plate.** This provides the best performance and also prevents overloading house wiring circuits which could cause a fire hazard from overheated wires.
- **Never unplug your dryer by pulling on the power cord. Always grip plug firmly and pull straight out from the outlet.** The power cord can be damaged, resulting in a risk of fire and electrical shock.
- **Repair or replace immediately all power cords that have become frayed or otherwise damaged. Do not use a cord that shows cracks or abrasion damage along its length or at either end.** The power cord can melt, creating electrical shock and/or fire hazard.
- **When installing or moving the dryer, be careful not to pinch, crush, or damage the power cord.** This will prevent injury and prevent damage to the dryer from fire and electrical shock.

**SAVE THESE INSTRUCTIONS**

# PARTS AND FEATURES

## SPECIAL FEATURES

### 1 EASY-TO-USE CONTROL PANEL

Rotate the Cycle Selector Knob to select the desired dry cycle. Add cycle options or adjust settings with the touch of a button.

### 2 EASY-ACCESS REVERSIBLE DOOR

Wide-opening door provides easy access for loading and unloading. Door swing can be reversed to adjust for installation location.

### 3 ULTRA-CAPACITY STAINLESS STEEL DRUM WITH DRUM LIGHT

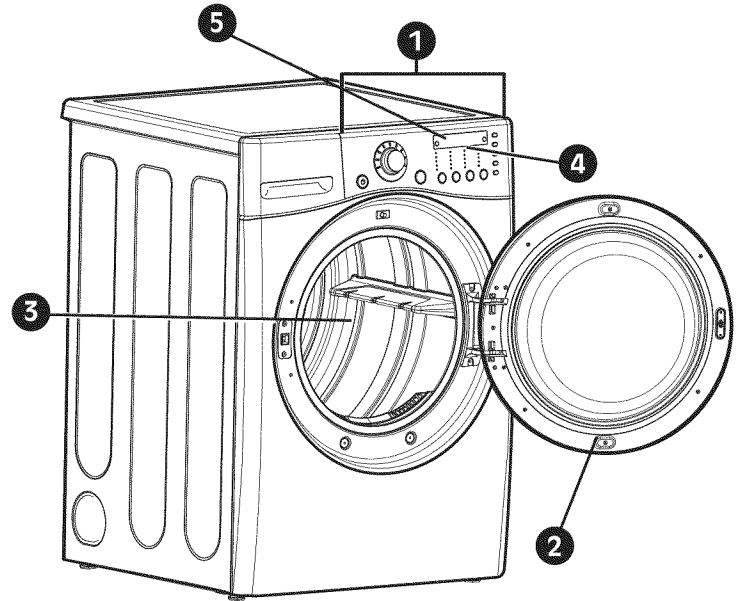
The ultra-large stainless steel drum offers superior durability. The drum is equipped with a yellow light that illuminates when the dryer door is open and turns off when the door is closed.

### 4 HELPFUL STEAM FUNCTIONS

LG's new steam technology allows you to inject fabrics with a swirling jet of hot steam to refresh clothes, reduce static, and make ironing easier. Simply select the STEAMFRESH™ cycle, or you can add a Steam option to selected cycles.

### 5 FLOW SENSE™ DUCT BLOCKAGE SENSING SYSTEM INDICATOR

The FLOW SENSE™ duct blockage sensing system detects and alerts you to blockages in the ductwork that reduce exhaust flow from the dryer. This improve operating efficiency and help minimize service calls, saving you money.





# PARTS AND FEATURES

## KEY PARTS AND COMPONENTS

In addition to the special features and components outlined in the *Special Features* section, there are several other important components that are referenced in this manual.

### 1 FRONT-MOUNT LINT FILTER

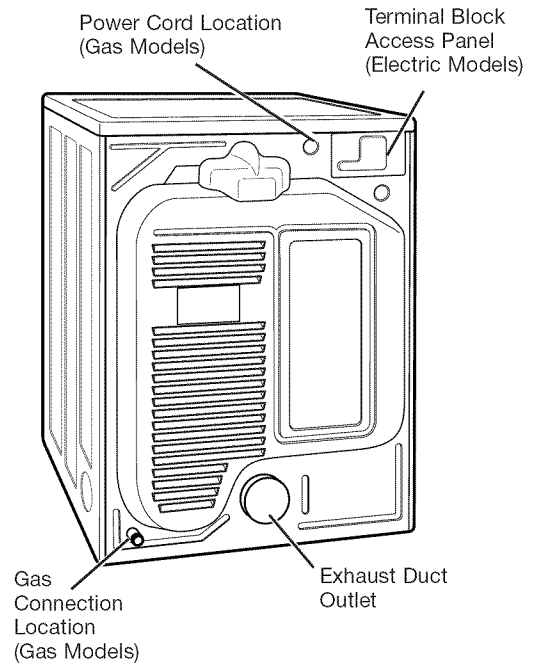
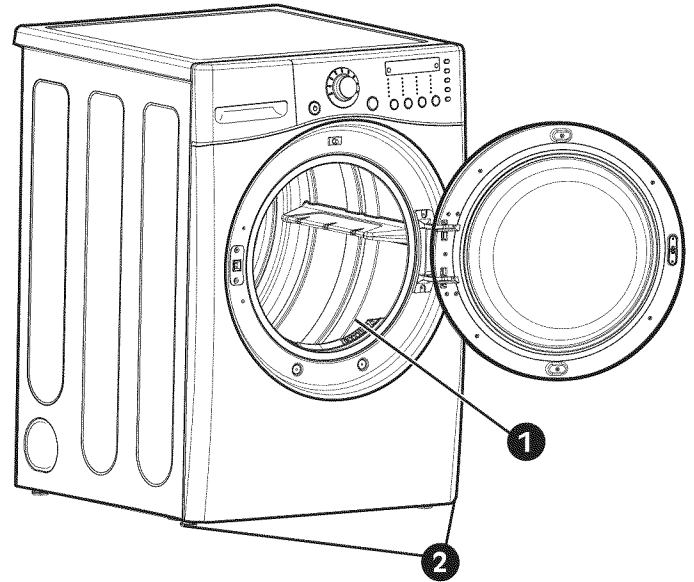
Front-mounted lint filter allows for easy access and cleaning after every load.

### 2 LEVELING FEET

Four leveling feet (two in the front, and two in the back) adjust to improve dryer stability on uneven floors.

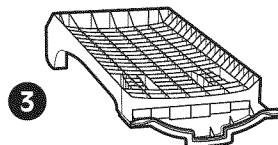
### 3 DRYING RACK

Use the drying rack with the RACK DRY cycle option. The drying rack allows items, such as sweaters, delicates, and gym shoes, to be placed in a flat position for drying.



Rear of Dryer

### Included Accessories



Drying Rack

# INSTALLATION INSTRUCTIONS

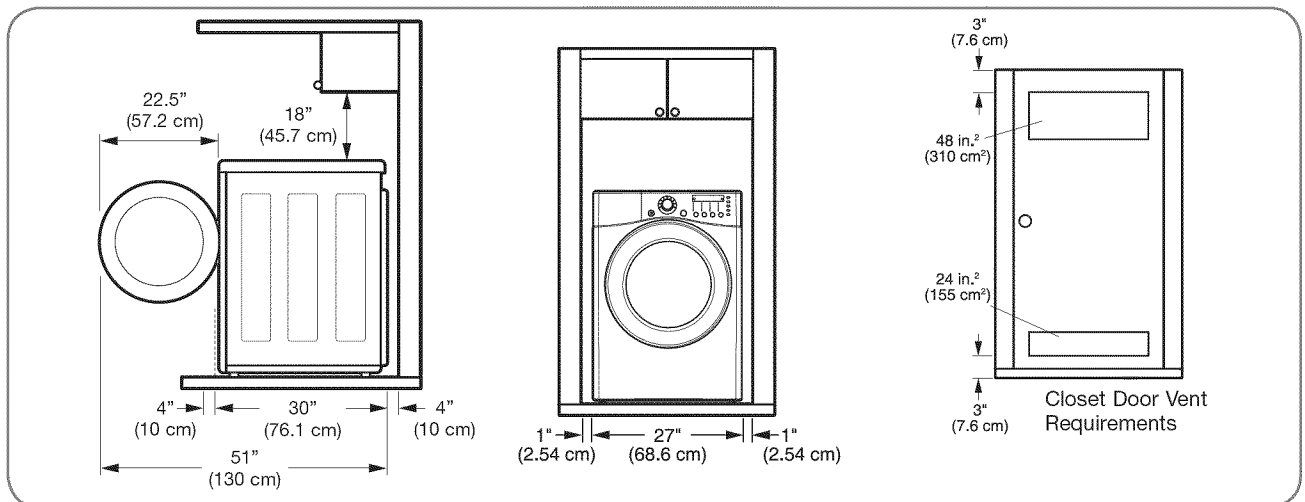
## IMPORTANT: Read all installation instructions completely before installing and operating your dryer!

It is important that you review this entire manual before installing and using your dryer. Detailed instructions concerning electrical connections, gas connections, and exhaust requirements are provided on the following pages.

## CHOOSE THE PROPER LOCATION

- Store and install the dryer where it will not be exposed to temperatures below freezing or exposed to outdoor weather conditions.
- Choose a location with a solid, level floor.
- If the dryer is being installed in a garage, place the dryer at least 18 in. (46 cm) above the floor.
- Properly ground dryer to conform with all governing codes and ordinances.
- To reduce the risk of electric shock, do not install the dryer in damp or wet locations.
- If you are installing your dryer in a manufactured or mobile home, please refer to the section *Special Requirements for Manufactured or Mobile Homes*.

## CLEARANCES



- Most installations require a minimum 5½ in. (14 cm) clearance behind the dryer for the exhaust ducting.
- Allow minimum clearances of at least 1 in. (2.5 cm) on the sides and back to minimize vibration and noise.
- Allowing additional clearance for installation and servicing is recommended.
- Be sure to allow for wall, door, or floor moldings that may increase the required clearances.
- Allow at least 24 in. (61 cm) in front of the dryer to open the door.

### Additional Instructions for closet installations:

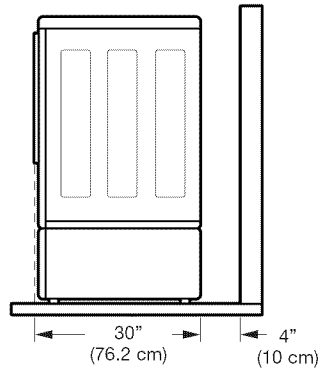
- The closet door must allow for sufficient airflow. Refer to the diagram above for minimum vent opening requirements. A louvered door is also acceptable.
- Make sure that there is at least 18 in. (46 cm) of clearance above the dryer.

# INSTALLATION INSTRUCTIONS

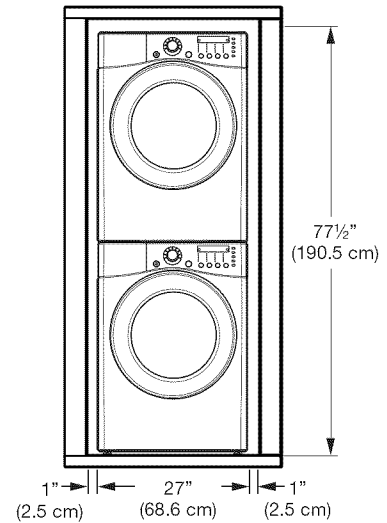
## INSTALLATION WITH OPTIONAL PEDESTAL BASE OR STACKING KIT

**IMPORTANT:** If you are installing your dryer using an optional pedestal base or stacking kit, please refer to *Optional Accessories* in this manual or to the instructions for your pedestal or stacking kit before proceeding with the installation.

Required Dimensions for Installation With Pedestal

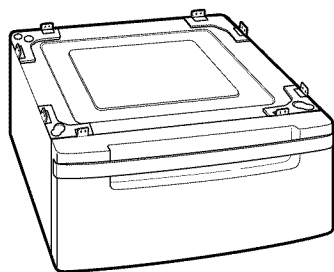


Required Dimensions for Installation With Stacking Kit



## OPTIONAL ACCESSORIES

For these and other LG products, contact your local LG dealer, or visit our Web site at [us.lge.com](http://us.lge.com).



*Pedestal (sold separately)*



*Stacking Kit (sold separately)*

# INSTALLATION INSTRUCTIONS

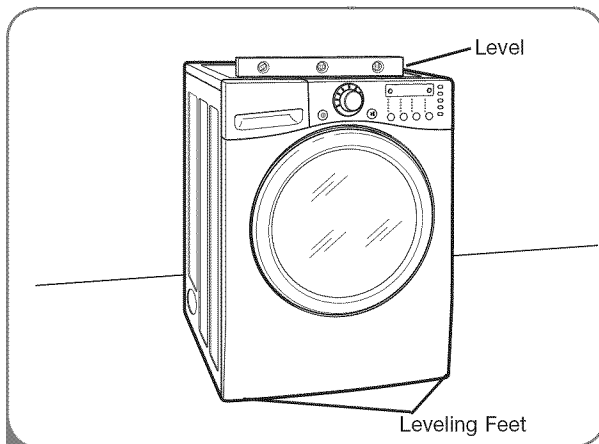
## LEVELING THE DRYER

### ⚠ WARNING

- Wear gloves during installation.
- Failure to follow these instructions can result in injury.

To ensure that the dryer provides optimal drying performance, it must be level. To minimize vibration, noise, and unwanted movement, the floor must be a perfectly level, solid surface.

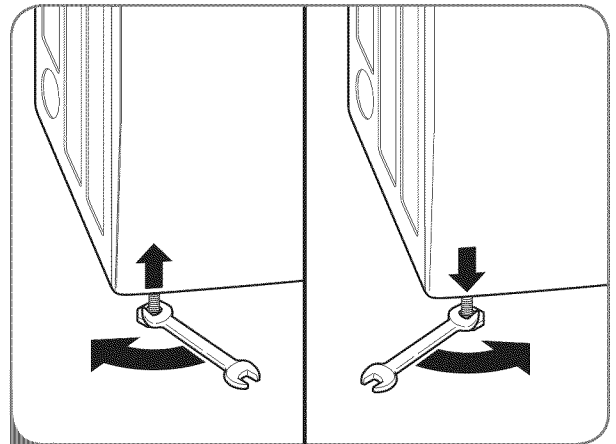
**NOTE:** Adjust the leveling feet only as far as necessary to level the dryer. Extending the leveling feet more than necessary can cause the dryer to vibrate.



- 1 Position the dryer in the final location. Place a level across the top of the dryer.

- All four leveling feet must rest solidly on the floor. Gently push on the top corners of the dryer to make sure that the dryer does not rock from corner to corner.

If you are installing the dryer on the optional pedestal, you must use the leveling feet on the **pedestal** to level the dryer. The dryer leveling feet should be fully retracted.

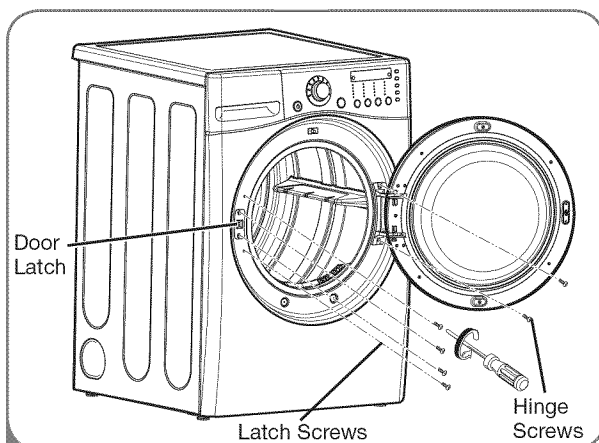


- 2 Use an adjustable wrench to turn the leveling feet. Turn clockwise to raise the dryer or counterclockwise to lower it. Raise or lower the leveling feet until dryer is level from side to side and front to back.

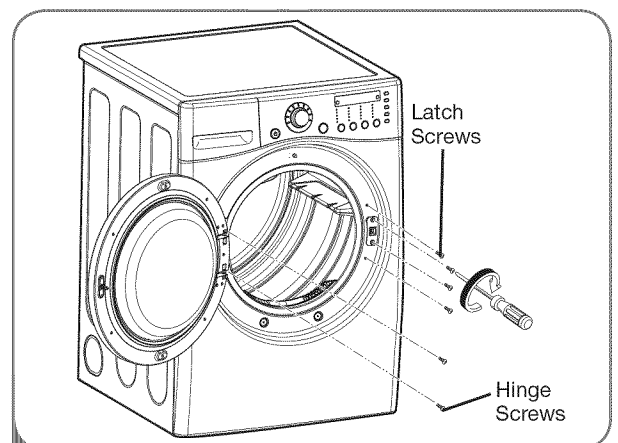
Make sure that all 4 leveling feet are in firm contact with the floor.

## REVERSING THE DOOR SWING

The swing of the dryer door can be reversed to fit your installation location.



- 1 Open the dryer door. Using a Phillips screwdriver, remove the 4 screws that secure the door hinge to the dryer door opening. Remove the 6 screws from the latch side of the dryer door opening, and remove the door latch.



- 2 Turn the door around so the hinge is reversed, and reattach the door using the 4 screws previously removed. Reinstall the door latch and the 6 screws.

Test the door swing to make sure the door moves freely and latches securely.

# INSTALLATION INSTRUCTIONS

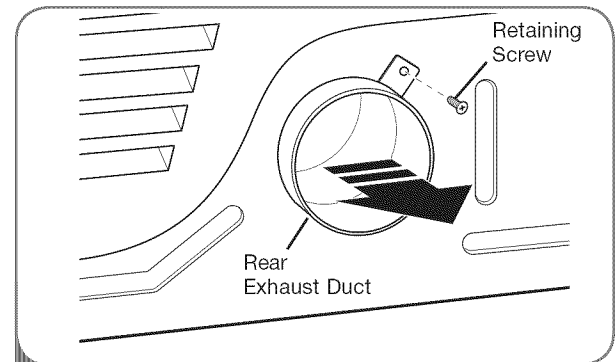
## CHANGING THE DRYER VENT LOCATION

### **⚠ WARNING**

- Use a heavy metal vent.
- Do not use plastic or thin foil duct.
- Clean old ducts before installing this dryer.
- Wear gloves during installation.
- Failure to follow these instructions can result in death or fire.

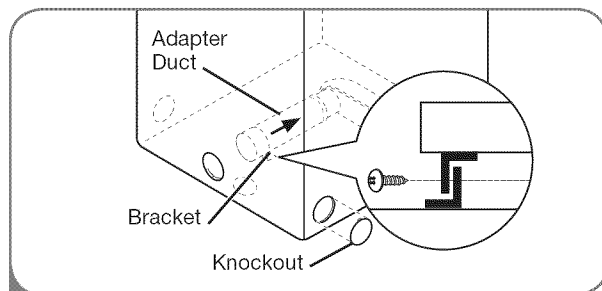
Your new dryer is shipped to vent to the rear. It can also be configured to vent to the bottom or side (right-side venting is not available on gas models).

An adapter kit, part number 383EEL9001B, may be purchased from your LG retailer. This kit contains the necessary duct components to change the dryer vent location.

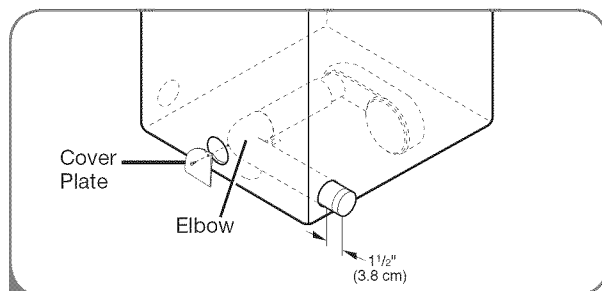


- 1 Remove the rear exhaust duct retaining screw. Pull out the exhaust duct.

### **OPTION 1: Side Venting**

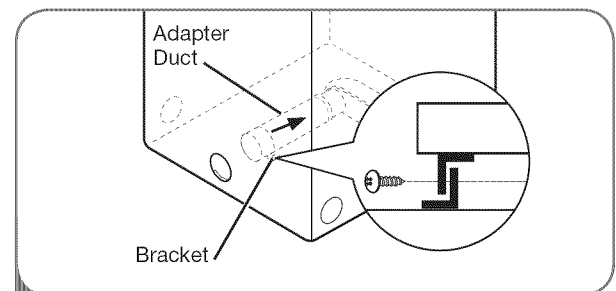


- 2 Press the tabs on the knockout and carefully remove the knockout for the desired vent opening (right-side venting is not available on gas models). Press the adapter duct onto the blower housing and secure to the base of the dryer as shown.

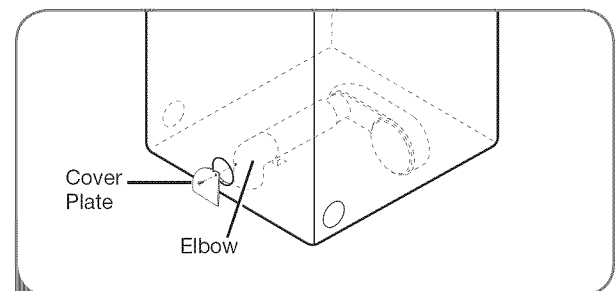


- 3 Preassemble a 4-in. (10 cm) elbow to the next 4-in. (10 cm) duct section, and secure all joints with duct tape. Be sure that the male end of the elbow faces AWAY from the dryer. Insert the elbow/duct assembly through the side opening and press it onto the adapter duct. Secure in place with duct tape. Be sure that the male end of the duct protrudes 1 1/2 in. (3.8 cm) to connect the remaining ductwork. Attach cover plate to the back of the dryer with included screw.

### **OPTION 2: Bottom Venting**



- 2 Press the adapter duct onto the blower housing and secure to the base of the dryer as shown.



- 3 Insert the 4-in. (10 cm) elbow through the rear opening and press it onto the adapter duct. Be sure that the male end of the elbow faces down through hole in the bottom of the dryer. Secure in place with duct tape. Attach the cover plate to the back of the dryer with included screw.

# INSTALLATION INSTRUCTIONS

## VENTING THE DRYER

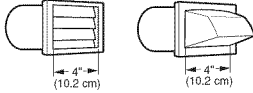
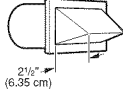
**⚠ WARNING:** To reduce the risk of fire, electric shock, or injury to persons when using this appliance, follow basic precautions, including the following:

- **Do not crush or collapse ductwork.** Failure to follow these instructions can result in fire or death.
- **Do not allow ductwork to rest on or contact sharp objects.** Failure to follow these instructions can result in fire or death.
- **If connecting to existing ductwork, make sure it is suitable and clean before installing the dryer.** Failure to follow these instructions can result in fire or death.
- **Venting must conform to local building codes.** Failure to follow these instructions can result in fire or death.
- **Gas dryers MUST exhaust to the outdoors.** Failure to follow these instructions can result in fire or death.
- **Use only 4-in. (10.2 cm) rigid or flexible metal ductwork inside the dryer cabinet and for venting outside.** Failure to follow these instructions can result in fire or death.
- **To reduce the risk of fire, combustion, or accumulation of combustible gases, DO NOT exhaust dryer air into an enclosed and unventilated area, such as an attic, wall, ceiling, crawl space, chimney, gas vent, or concealed space of a building.** Failure to follow these instructions can result in fire or death.
- **To reduce the risk of fire, DO NOT exhaust the dryer with plastic or thin foil ducting.** Failure to follow these instructions can result in fire or death.
- **The exhaust duct must be 4 in. (10.2 cm) in diameter with no obstructions. The exhaust duct should be kept as short as possible. Make sure to clean any old ducts before installing your new dryer.** Failure to follow these instructions can result in fire or death.
- **Rigid or semirigid metal ducting is recommended for use between the dryer and the wall. In special installations when it is impossible to make a connection with the above recommendations, a UL-listed flexible metal transition duct may be used between the dryer and wall connection only. The use of this ducting will affect drying time.** Failure to follow these instructions can result in fire or death.
- **DO NOT use sheet metal screws or other fasteners which extend into the duct that could catch lint and reduce the efficiency of the exhaust system. Secure all joints with duct tape.** Failure to follow these instructions can result in fire or death.
- **To maximize operating results, please observe the duct length limitations noted in the chart on page 15.** Failure to follow these instructions can result in fire or death.
- **Ductwork is not provided with the dryer. You should obtain the necessary ductwork locally. The end cap should have hinged dampers to prevent backdraft when the dryer is not in use.** Failure to follow these instructions can result in fire or death.
- **The Total length of flexible metal duct shall not exceed 8 ft.(2.4m)**
- **In Canada, that only those foil-type flexible ducts, if any, specifically identified for use with the appliance by the manufacturer shall be used.** In the United States, that only those foil-type flexible ducts, if any, specifically identified for use with the appliance by the manufacturer and that comply with the Outline for Clothes Dryer Transition Duct, Subject 2158A, shall be used.

# INSTALLATION INSTRUCTIONS

## VENTING THE DRYER (cont.)

### Ductwork

Wall Cap Type	Number of 90° Elbows	Max. Length of 4-In. Dia. Rigid Metal Duct
<p>Recommended</p> 	0	65 ft. (19.8 m)
	1	55 ft. (16.8 m)
	2	47 ft. (13.7 m)
	3	36 ft. (11.0 m)
	4	28 ft. (8.5 m)
<p>Use Only for Short Run Installations</p> 	0	55 ft. (16.8 m)
	1	47 ft. (13.7 m)
	2	41 ft. (12.5 m)
	3	30 ft. (9.1 m)
	4	22 ft. (6.7 m)

**NOTE:** Deduct 6 ft. (1.8 m) for each additional elbow. It is not recommended to use more than four 90° elbows.

### Routing and Connecting Ductwork

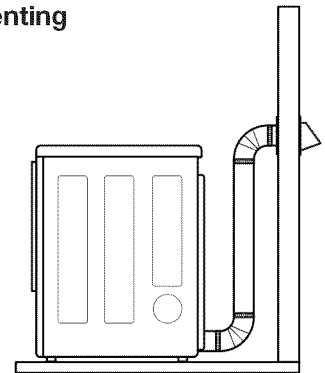
Follow the guidelines below to maximize drying performance and reduce lint buildup and condensation in the ductwork.

**NOTE:** Ductwork and fittings are NOT included and must be purchased separately.

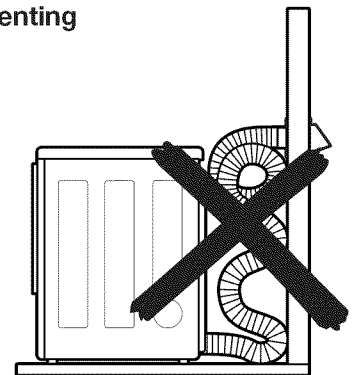
- Use 4-in. (10.2 cm) diameter rigid or semirigid metal ductwork.
- The exhaust duct run should be as short as possible.
- Use as few elbow joints as possible.
- The male end of each section of exhaust duct **must** point away from the dryer.
- Use duct tape on all duct joints.
- Insulate ductwork that runs through unheated areas in order to reduce condensation and lint buildup on duct surfaces.

**IMPORTANT:** Failure to exhaust the dryer correctly will void the dryer's warranty.

#### Correct Venting



#### Incorrect Venting



# INSTALLATION INSTRUCTIONS

## CONNECTING GAS DRYERS

**⚠WARNING:** To reduce the risk of fire, electric shock, or injury to persons when using this appliance, follow basic precautions, including the following:

- **Gas supply requirements:**  
As shipped from the factory, this dryer is configured for use with natural gas. It can be converted for use with LP (Liquefied Propane) gas. Gas pressure must not exceed 13 in. water column.
- **A qualified service or gas company technician must connect the dryer to the gas service.** Failure to do so can result in fire, explosion, or death.
- **Isolate the dryer from the gas supply system by closing its individual manual shutoff valve during any pressure testing of the gas supply.** Failure to do so can result in fire, explosion, or death.
- **Supply line requirements:**  
Your laundry room must have a rigid gas supply line to your dryer. In the United States, an individual manual shutoff valve **MUST** be installed within at least 6 ft. (1.8 m) of the dryer, in accordance with the National Fuel Gas Code ANSI Z223.1 or Canadian gas installation code CSA B149.1. A 1/8-in. NPT pipe plug must be installed. Failure to do so can result in fire, explosion, or death.
- **If using a rigid pipe, the rigid pipe should be 1/2-in. IPS. If acceptable under local codes and ordinances and when acceptable to your gas supplier, 3/8-in. approved tubing may be used where lengths are less than 20 ft. (6.1 m). Larger tubing should be used for lengths in excess of 20 ft. (6.1 m).** Failure to do so can result in fire, explosion, or death.
- **Connect the dryer to the type of gas shown on the nameplate.** Failure to do so can result in fire, explosion, or death.
- **To prevent contamination of the gas valve, purge the gas supply of air and sediment before connecting the gas supply to the dryer. Before tightening the connection between the gas supply and the dryer, purge remaining air until the odor of gas is detected.** Failure to do so can result in fire, explosion, or death.
- **DO NOT use an open flame to inspect for gas leaks. Use a noncorrosive leak-detection fluid.** Failure to do so can result in fire, explosion, or death.
- **Use only a new AGA- or CSA-certified gas supply line with flexible stainless steel connectors.** Failure to do so can result in fire, explosion, or death.
- **Securely tighten all gas connections.** Failure to do so can result in fire, explosion, or death.
- **Use Teflon® tape or a pipe-joint compound that is insoluble in Liquefied Petroleum (LP) gas on all pipe threads.** Failure to do so can result in fire, explosion, or death.
- **DO NOT attempt any disassembly of the dryer; any disassembly requires the attention and tools of an authorized and qualified service person or company.** Failure to do so can result in fire, explosion, or death.

### *Electrical Requirements for Gas Models Only*

**⚠WARNING:** To reduce the risk of fire, electric shock, or injury to persons when using this appliance, follow basic precautions, including the following:

- **Do not, under any circumstances, cut or remove the third (ground) prong from the power cord.** Failure to follow this warning can result in fire, explosion, or death.
- **For personal safety, this dryer must be properly grounded.** Failure to follow this warning can result in fire, explosion, or death.
- **The power cord of this dryer is equipped with a 3-prong (grounding) plug which mates with a standard 3-prong (grounding) wall outlet to minimize the possibility of electric shock hazard from this appliance.** Failure to follow this warning can result in fire, explosion, or death.
- **This dryer must be plugged into a 120-VAC, 60-Hz. grounded outlet protected by a 15-ampere fuse or circuit breaker.** Failure to follow this warning can result in fire, explosion, or death.
- **Where a standard 2-prong wall outlet is encountered, it is your personal responsibility and obligation to have it replaced with a properly grounded 3-prong wall outlet.** Failure to follow this warning can result in fire, explosion, or death.



# INSTALLATION INSTRUCTIONS

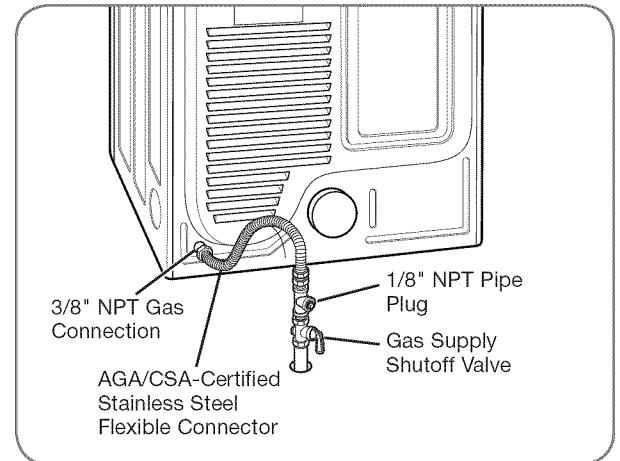
## CONNECTING GAS DRYERS (cont.)

**⚠ WARNING:** To reduce the risk of fire, electric shock, or injury to persons when using this appliance, follow basic precautions, including the following:

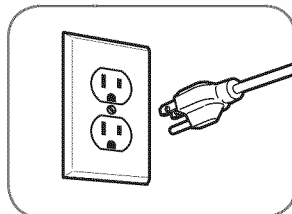
- **Installation and service must be performed by a qualified installer, service agency, or the gas supplier.** Failure to do so can result in fire, explosion, or death.
- **Use only a new stainless steel flexible connector and a new AGA-certified connector.** Failure to do so can result in fire, explosion, or death.
- **A gas shutoff valve must be installed within 6 ft. (1.8 m) of the dryer.** Failure to do so can result in fire, explosion, or death.
- **The dryer is configured for Natural Gas when shipped from the factory. Make sure that the dryer is equipped with the correct burner nozzle for the type of gas being used (Natural Gas or Liquefied Petroleum).** Failure to do so can result in fire, explosion, or death.
- **If necessary, the correct nozzle (for the LP nozzle kit order part number 4948EL4002B) should be installed by a qualified technician and the change should be noted on the dryer.** Failure to do so can result in fire, explosion, or death.
- **All connections must be in accordance with local codes and regulations.** Failure to do so can result in fire, explosion, or death.
- **Gas dryers MUST exhaust to the outdoors.** Failure to do so can result in fire, explosion, or death.

### Connecting the Gas Supply

- 1 Make sure that the gas supply to the laundry room is turned OFF. Confirm that the type of gas available in your laundry room is appropriate for the dryer. The dryer is prepared for Natural Gas with a 3/8-in. NPT gas connection.
- 2 Remove the shipping cap from the gas connection at the back of the dryer. Be careful not to damage the threads of the gas connector when removing the shipping cap.
- 3 Connect the dryer to your laundry room's gas supply using a new flexible stainless steel connector with a 3/8-in. NPT fitting.
- 4 Securely tighten all connections between the dryer and your laundry room's gas supply. Turn on your laundry room's gas supply and check all pipe connections (both internal and external) for gas leaks with a noncorrosive leak-detection fluid.



### Electrical Connection



Plug dryer into a **120-VAC, 60-Hz.** grounded 3-prong outlet.

### High-Altitude Installations

The BTU rating of this dryer is AGA-certified for elevations below 10,000 feet.

If your gas dryer is being installed at an elevation above 10,000 feet, it must be derated by a qualified technician or gas supplier.

# INSTALLATION INSTRUCTIONS

## CONNECTING ELECTRIC DRYERS

**⚠WARNING:** To help prevent fire, electric shock, serious injury, or death, the wiring and grounding must conform to the latest edition of the National Electrical Code, ANSI/NFPA 70 and all applicable local regulations. Please contact a qualified electrician to check your home's wiring and fuses to ensure that your home has adequate electrical power to operate the dryer.

### *Electrical Requirements for Electric Models Only*

**⚠WARNING:** To reduce the risk of fire, electric shock, or injury to persons when using this appliance, follow basic precautions, including the following:

- This dryer must be connected to a grounded metal, permanent wiring system, or an equipment-grounding conductor must be run with the circuit conductors and connected to the equipment-grounding terminal or lead on the dryer. Failure to do so can result in fire, explosion, or death.
- The dryer has its own terminal block that must be connected to a separate 240 VAC, 60-Hertz, single-phase circuit, fused at 30 amperes (the circuit must be fused on both sides of the line). **ELECTRICAL SERVICE FOR THE DRYER SHOULD BE OF THE MAXIMUM RATE VOLTAGE LISTED ON THE NAMEPLATE. DO NOT CONNECT DRYER TO 110-, 115-, OR 120-VOLT CIRCUIT.** Heating elements are available for field installation in dryers which are to be connected to an electrical service of a different voltage than that listed on the rating plate. Failure to follow these instructions can result in fire, explosion, or death.
- If branch circuit to dryer is 15 ft. (4.5 m) or less in length, use UL (Underwriters Laboratories) listed No.-10 AWG wire (copper wire only), or as required by local codes. If over 15 ft. (4.50 m), use UL-listed No.-8 AWG wire (copper wire only), or as required by local codes. Allow sufficient slack in wiring so dryer can be moved from its normal location when necessary. Failure to do so can result in fire, explosion, or death.
- The power cord (pigtail) connection between wall receptacle and dryer terminal block IS NOT supplied with dryer. Type of pigtail and gauge of wire must conform to local codes and with instructions on the following pages. Failure to follow these instructions can result in fire, explosion, or death.
- A 4-wire connection is required for all mobile and manufactured home installations, as well as all new construction after January 1, 1996. A 4-wire connection must be used where local codes do not permit grounding through the neutral wire. Failure to do so can result in fire, explosion, or death.

**⚠WARNING:** To reduce the risk of fire, electric shock, or injury to persons when using this appliance, follow basic precautions, including the following:

- Do not modify the plug and internal wire provided with the dryer.
- The dryer should be connected to 4-hole outlet.
- If it does not fit the outlet, a proper outlet will need to be installed by a qualified electrician.

### *Special Electrical Requirements for Mobile or Manufactured Homes*

**⚠WARNING:** To reduce the risk of fire, electric shock, or injury to persons when using this appliance, follow basic precautions, including the following:

- Any installation in a manufactured or mobile home must comply with the Manufactured Home Construction and Safety Standards Title 24 CFR, Part 32-80 or Standard CAN/CSA02240 MH and local codes and ordinances.
- A 4-wire connection is required for all mobile and manufactured home installations, as well as all new construction after January 1, 1996. Failure to do so can result in fire, explosion, or death.

# INSTALLATION INSTRUCTIONS

## CONNECTING ELECTRIC DRYERS (cont.)

USA ONLY

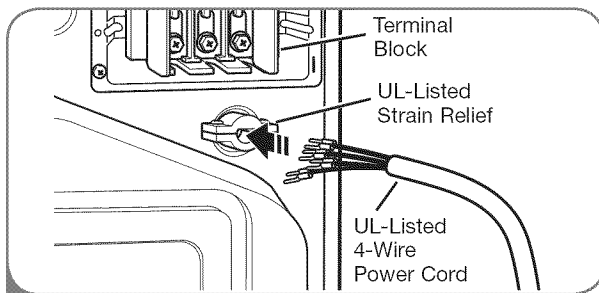
### **⚠ WARNING:**

- Connect the power cord to the terminal block. Each colored wire should be connected to same color screw. Wire color indicated on manual is connected to the same color screw in block. Failure to follow these instructions may result in a short or overload.
- Grounding through the neutral conductor is prohibited for: (1) new branch-circuit installations, (2) mobile homes, (3) recreational vehicles, and (4) areas where local codes prohibit grounding through the neutral conductor.

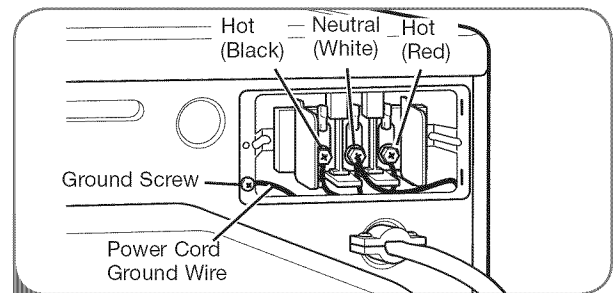


### *Four-Wire Connection for Electric Dryers: Power Cord*

- A 4-wire connection is required for all mobile and manufactured home installations, as well as all new construction after January 1, 1996.
- A UL-listed strain relief is required.
- Use a **30-amp, 240V, UL-listed power cord with #10 AWG-minimum copper** conductor and closed loop or forked terminals with upturned ends.



- 1 Remove the terminal block access cover on the upper back of the dryer. Install a UL-listed strain relief into the power cord through-hole; then thread a UL-listed, **30A, 240V, 4-wire, #10 AWG-minimum copper** conductor power cord through the strain relief.



- 2 Transfer the dryer's ground wire from behind the green ground screw to the center screw of the terminal block. Attach the two hot leads of the power cord to the outer terminal block screws. Attach the white neutral wire to the center terminal block screw. Attach the power cord ground wire to the green ground screw. **TIGHTEN ALL SCREWS SECURELY.** Reinstall the terminal block access cover.

# INSTALLATION INSTRUCTIONS

## CONNECTING ELECTRIC DRYERS (cont.)

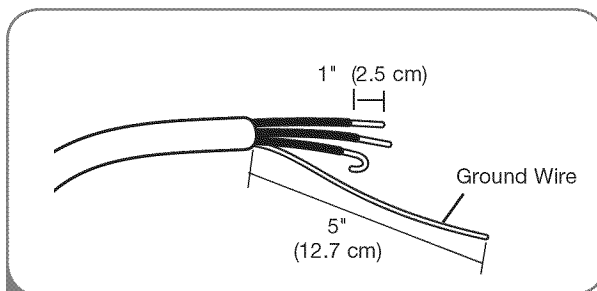
USA ONLY

### **⚠ WARNING:**

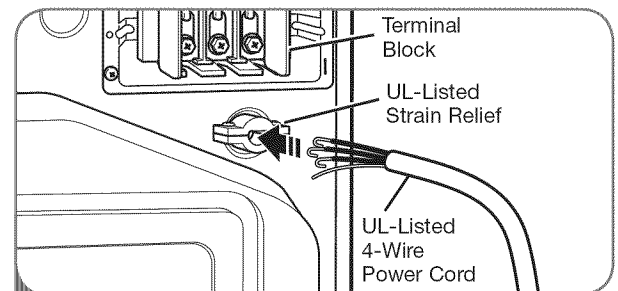
- Connect the power cord to the terminal block. Each colored wire should be connected to same color screw. Wire color indicated on manual is connected to the same color screw in block. Failure to follow these instructions may result in a short or overload.
- Grounding through the neutral conductor is prohibited for: (1) new branch-circuit installations, (2) mobile homes, (3) recreational vehicles, and (4) areas where local codes prohibit grounding through the neutral conductor.

### *Four-Wire Connection for Electric Dryers: Direct Wire*

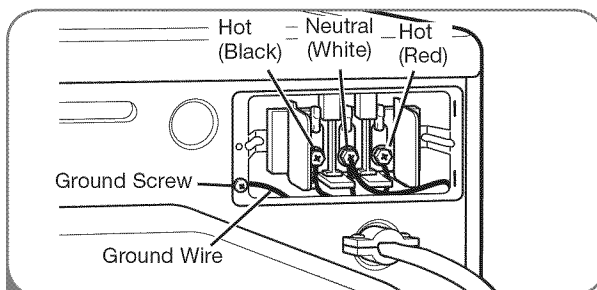
- A 4-wire connection is required for all mobile and manufactured home installations, as well as all new construction after January 1, 1996.
- A UL-listed strain relief is required.
- Use UL-listed 4-wire #10 AWG-minimum copper conductor cable.
- Allow at least 5 ft (1.5 m) length to allow for removal and reinstallation of the dryer.



- 1 Remove 5 inches (12.7 cm) of the outer covering from the wire. Remove 5 inches of insulation from the ground wire. Cut off approximately 1½ inches (3.8 cm) from the other three wires and strip 1 inch (2.5 cm) insulation from each wire. Bend the ends of the three shorter wires into a hook shape.



- 2 Remove the terminal block access cover on the upper back of the dryer. Install a UL-listed strain relief into the power cord through-hole; then thread the power cable prepared in Step 1 through the strain relief.



- 3 Transfer the dryer's ground wire from behind the green ground screw to the center screw of the terminal block. Attach the two hot leads of the power cable to the outer terminal block screws. Attach the white neutral wire to the center terminal block screw. Attach the power cable ground wire to the green ground screw. **TIGHTEN ALL SCREWS SECURELY.** Reinstall the terminal block access cover.

# INSTALLATION INSTRUCTIONS

## CONNECTING ELECTRIC DRYERS (cont.)

USA ONLY

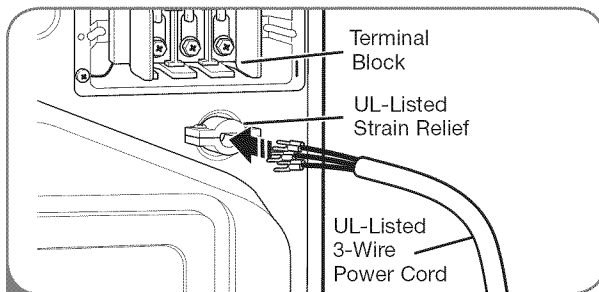
### **⚠ WARNING:**

- Connect the power cord to the terminal block. Each colored wire should be connected to same color screw. Wire color indicated on manual is connected to the same color screw in block. Failure to follow these instructions may result in a short or overload.
- Grounding through the neutral conductor is prohibited for: (1) new branch-circuit installations, (2) mobile homes, (3) recreational vehicles, and (4) areas where local codes prohibit grounding through the neutral conductor.

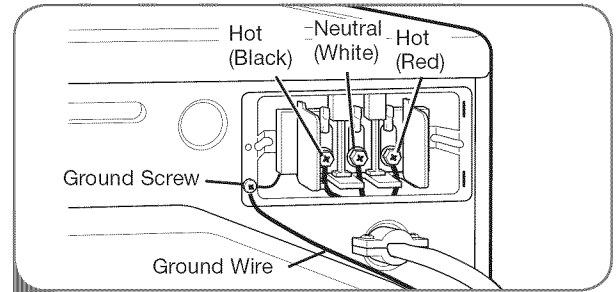


### *Three-Wire Connection for Electric Dryers: Power Cord*

- A 3-wire connection is NOT permitted on new construction after January 1, 1996.
- A UL-listed strain relief is required.
- Use a **30-amp, 240V, UL-listed power cord with #10 AWG-minimum copper** conductor and closed loop or forked terminals with upturned ends.



- 1 Remove the terminal block access cover on the upper back of the dryer. Install a UL-listed strain relief into the power cord through-hole; then thread a UL-listed, **30A, 240V, 3-wire, #10 AWG-minimum copper** conductor power cord through the strain relief.



- 2 Attach the two hot leads of the power cord to the outer terminal block screws. Attach the neutral wire to the center terminal block screw. Connect the external ground (if required by local codes) to the green ground screw. **TIGHTEN ALL SCREWS SECURELY.** Reinstall the terminal block access cover.

# INSTALLATION INSTRUCTIONS

## CONNECTING ELECTRIC DRYERS (cont.)

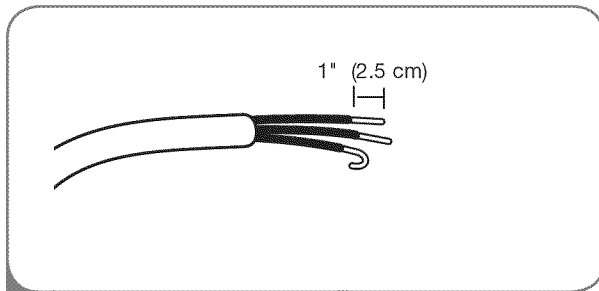
USA ONLY

### **⚠ WARNING:**

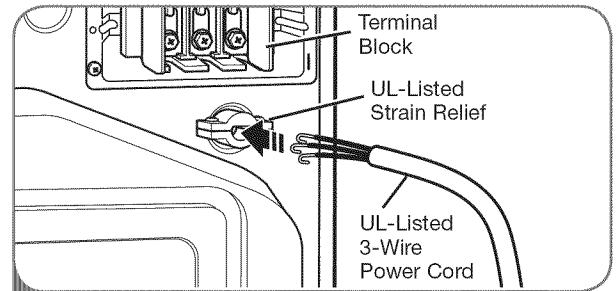
- Connect the power cord to the terminal block. Each colored wire should be connected to same color screw. Wire color indicated on manual is connected to the same color screw in block. Failure to follow these instructions may result in a short or overload.
- Grounding through the neutral conductor is prohibited for: (1) new branch-circuit installations, (2) mobile homes, (3) recreational vehicles, and (4) areas where local codes prohibit grounding through the neutral conductor.

### *Three-Wire Connection for Electric Dryers: Direct Wire*

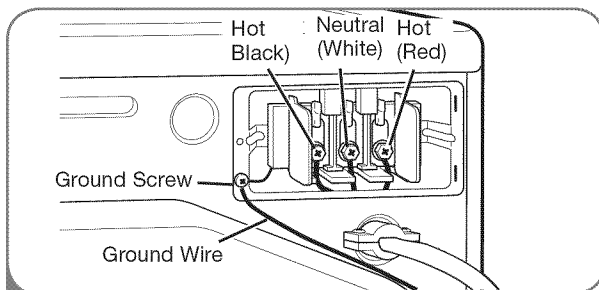
- A 3-wire connection is NOT permitted on new construction after January 1, 1996.
- A UL-listed strain relief is required.
- Use UL-listed **3-wire #10 AWG-minimum copper** conductor cable.
- Allow at least 5 ft (1.5 m) length to allow for removal and reinstallation of the dryer.



- 1 Remove 3½ inches (8.9 cm) of the outer covering from the wire. Strip 1 inch (2.5 cm) insulation from each wire. Bend the ends of the three wires into a hook shape.



- 2 Remove the terminal block access cover on the upper back of the dryer. Install a UL-listed strain relief into the power cord through-hole; then thread the power cable prepared in Step 1 through the strain relief.



- 3 Attach the two hot leads of the power cord to the outer terminal block screws. Attach the neutral wire to the center terminal block screw. Connect the external ground (if required by local codes) to the green ground screw. **TIGHTEN ALL SCREWS SECURELY.** Reinstall the terminal block access cover.

# INSTALLATION INSTRUCTIONS

## SPECIAL REQUIREMENTS FOR MANUFACTURED OR MOBILE HOMES

Any installation in a manufactured or mobile home must comply with the Manufactured Home Construction and Safety Standards Title 24 CFR, Part 32-80 or Standard CAN/CSA0Z240 MH and local codes and ordinances. If you are uncertain whether your proposed installation will comply with these standards, please contact a service and installation professional for assistance.

- A gas dryer must be permanently attached to the floor.
- The electrical connection for an electric dryer must be a 4-wire connection. More detailed information concerning the electrical connection is provided in the section *Connecting Electric Dryers*.
- To reduce the risk of combustion and fire, the dryer must be vented to the outside.
- DO NOT vent the dryer under a manufactured home or mobile home.
- Electric dryers may be vented to the outside using the back, left, right, or bottom panel.
- Gas dryers may be vented to the outside using the back, left, or bottom panel. Gas dryers may not be vented to the outside using the right side panel because of the burner housing.
- The dryer exhaust duct must be affixed securely to the manufactured or mobile home structure, and the exhaust duct must be made of a material that will resist fire and combustion. It is recommended that you use a rigid or flexible metal duct.
- DO NOT connect the dryer exhaust duct to any other duct, vent, chimney, or other exhaust duct.
- Make sure the dryer has adequate access to outside fresh air to ensure proper operation. The opening for outside fresh air must be at least 25 in<sup>2</sup> (163 cm<sup>2</sup>).
- It is important that the clearance of the duct from any combustible construction be at least 2 in. (5 cm), and when venting the dryer to the outdoors, the dryer can be installed with a clearance of 1 in. (2.5 cm) at the sides and back of the dryer.
- Please be aware that venting materials are not supplied with the dryer. You should obtain the venting materials necessary for proper installation.

## FINAL INSTALLATION CHECK

Once you have completed the installation of the dryer and it is in its final location, confirm proper operation with the following tests and Duct Condition Testing on the following page.

### *Testing Dryer Heating*

#### **GAS MODELS**

Close the dryer door, press the ON/OFF switch to turn the dryer on, and start the dryer on a heat setting. When the dryer starts, the igniter should ignite the main burner.

**NOTE:** If all air is not purged from the gas line, the gas igniter may turn off before the main burner ignites. If this happens, the igniter will reattempt gas ignition after approximately two minutes.

#### **ELECTRIC MODELS**

Close the dryer door, press the ON/OFF switch to turn the dryer on, and start the dryer on a heat setting. The exhaust air should be warm after the dryer has been operating for 3 minutes.

### *Checking Airflow*

Effective dryer operation requires proper airflow. The adequacy of the airflow can be measured by evaluating the static pressure. Static pressure in the exhaust duct can be measured with a manometer, placed on the exhaust duct approximately 2 ft. (60.9 cm) from the dryer. Static pressure in the exhaust duct should not exceed 0.6 in. (1.5 cm). The dryer should be checked while the dryer is running with no load.

### *Checking Levelness*

Once the dryer is in its final location, recheck the dryer to be sure it is level. Make sure it is level front to back and side to side, and that all 4 leveling feet are firmly on the floor.

# INSTALLATION INSTRUCTIONS

## FLOW CHECK (DUCT CONDITION TEST)

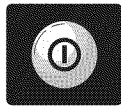
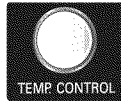
Your dryer features FlowSense™, an innovative sensing system that automatically detects blockages and restrictions in dryer ductwork. Keeping ductwork clean of lint buildup and free of restrictions allows clothes to dry faster and reduces energy use.

**NOTE:** When the dryer is first installed, this test should be performed to alert you to any existing problems with the exhaust duct in your home. However, since the test performed during normal operation provides more accurate information on the condition of the exhaust duct than does the installation test, the number of bars displayed during the two tests may not be the same.


### To activate the flow check (Duct condition test) :

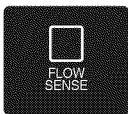
**NOTE:** Dryer heating test must be performed before proceeding. Then perform the duct condition test below:

- 1 Press and hold the DAMP DRY BEEP and TEMP. CONTROL buttons at the same time. While holding these buttons, press POWER ON/OFF.

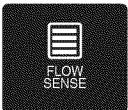


- 2 The dryer will show InS in the number display to indicate that it is in duct condition testing mode.

- 3  Press START/PAUSE. The dryer will run for approximately 2 minutes to test for blockages or restrictions to air flow in the ductwork.



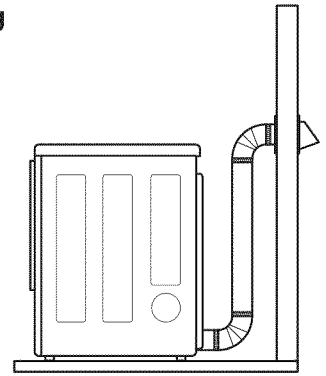
If no bars are shown in the display, the ductwork is free from blockages or restrictions.



If all bars are lit, the dryer ductwork has a blockage that needs to be removed immediately.

**IMPORTANT:** Do **NOT** interrupt the test cycle!

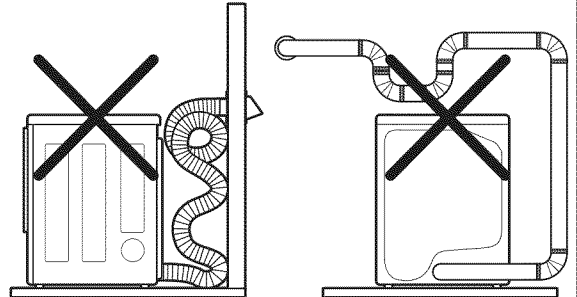
### Correct Venting



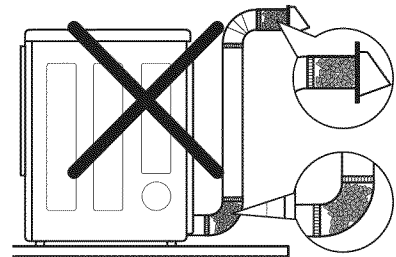
### Restricted or Blocked Airflow

FLOW SENSE

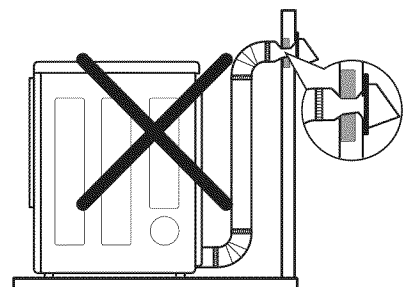
Avoid long runs or runs with multiple elbows or bends.



Check for blockages and lint buildup.



Make sure the ductwork is not crushed or restricted.





# HOW TO USE

Following are instructions for starting and using your new dryer. Please refer to specific sections of this manual for more detailed information. **Important Warning: To reduce the risk of fire, electric shock, or injury to persons, read this entire manual, including the Important Safety Instructions, before operating this dryer.**

## SORTING LOADS

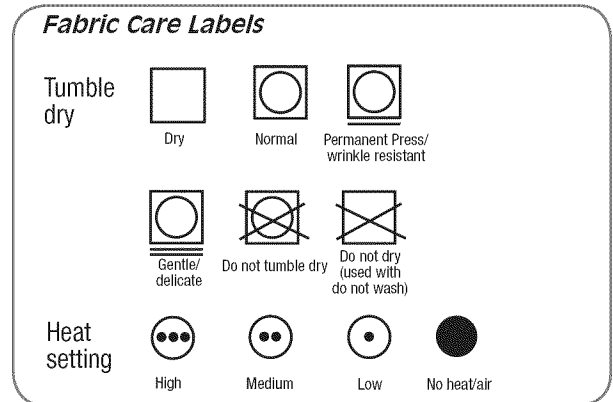
### *Fabric Care Labels*

Most articles of clothing feature fabric care labels that include instructions for proper care.

### *Grouping Similar Items*

For best results, sort clothes into loads that can be dried with the same drying cycle.

Different fabrics have different care requirements, and some fabrics will dry more quickly than others.



## LOADING THE DRYER

**WARNING:** To reduce the risk of fire, electric shock, or injury to persons when using this appliance, follow basic precautions, including the following:

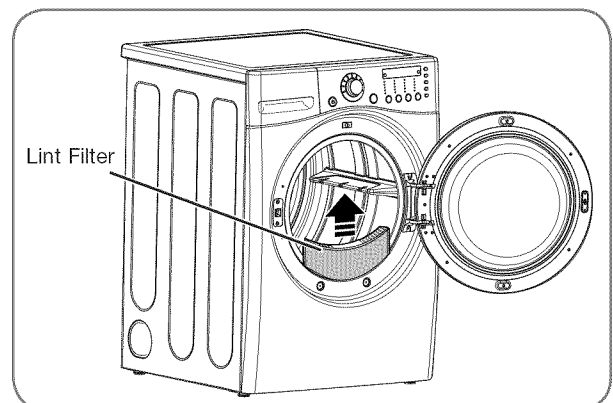
- **Check all pockets to make sure that they are empty. Items such as clips, pens, coins, and keys can damage both your dryer and your clothes. Flammable objects such as lighters or matches could ignite, causing a fire.** Failure to do so can result in fire, explosion, or death.
- **Never dry clothes that have been exposed to oil, gasoline, or other flammable substances. Washing clothes will not completely remove oil residues.** Failure to obey this warning can result in fire, explosion, or death.
- Combine large and small items in a load.
- Damp clothes will expand as they dry. Do not overload the dryer; clothes require room to tumble dry properly.
- Close zippers, hooks, and drawstrings to prevent these items from snagging or tangling on other clothes.

## CHECK THE LINT FILTER BEFORE EVERY LOAD

Always make sure the lint filter is clean before starting a new load; a clogged lint filter will increase drying times.

To clean, pull the lint filter straight up and roll any lint off the filter with your fingers. Do not rinse or wash the filter to remove lint. Push the lint filter firmly back into place. See “Care and Cleaning” for more information.

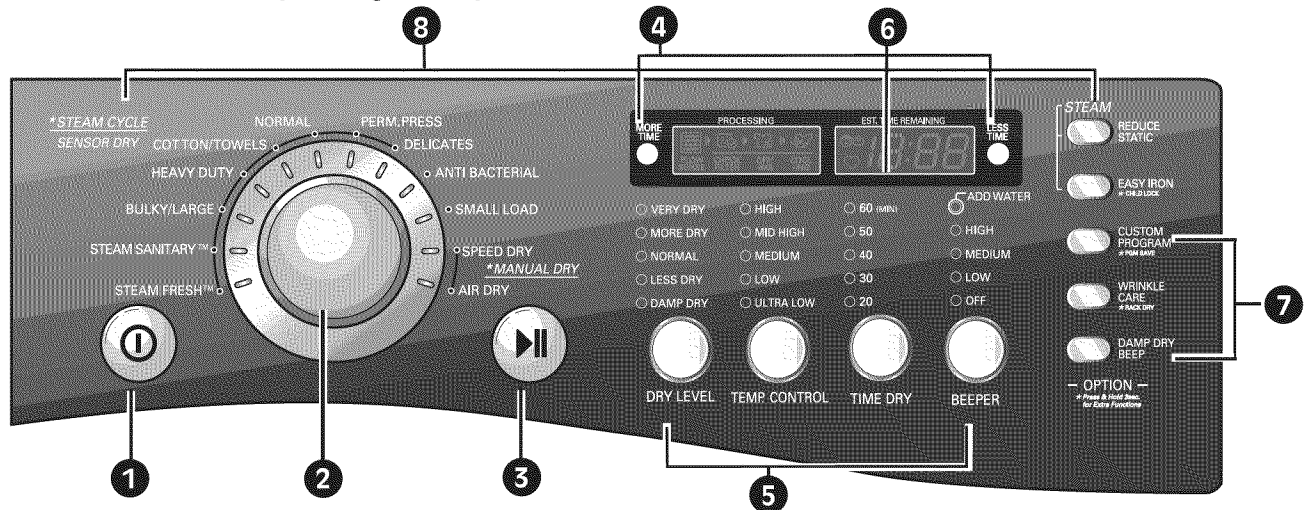
Always ensure the lint filter is properly installed before running the dryer. Running the dryer with a loose or missing lint filter may damage the dryer and articles in the dryer.



# HOW TO USE

## CONTROL PANEL FEATURES

Following are instructions for starting and using your new dryer. Please refer to specific sections of this manual for more detailed information. **Important Warning: To reduce the risk of fire, electric shock, or injury to persons, read this entire manual, including the Important Safety Instructions, before operating this dryer.**



### 1 POWER ON/OFF BUTTON

Press to turn the dryer ON. Press again to turn the dryer OFF.

**NOTE:** Pressing the ON/OFF button during a cycle will cancel that cycle and any load settings will be lost.

### 2 CYCLE SELECTOR KNOB

Turn this knob to select the desired cycle. Once the desired cycle has been selected, the standard presets will be shown in the display. On MANUAL DRY cycles, these settings can be adjusted using the cycle settings buttons anytime before starting the cycle.

### 3 START/PAUSE BUTTON

Press this button to START the selected cycle. If the dryer is running, use this button to PAUSE the cycle without losing the current settings.

**NOTE:** If you do not press the START/PAUSE button to resume a cycle within 4 minutes, the dryer automatically turns off.

### 4 MORE TIME/LESS TIME BUTTONS

To adjust the drying time, use these buttons with MANUAL DRY, TIME DRY, and STEAMFRESH™ cycles, as well as the REDUCE STATIC and EASY IRON options. Press the MORE TIME button to increase the selected manual cycle time by a minute; press LESS TIME to decrease the cycle time by a minute.

### 5 CYCLE SETTING BUTTONS

Use these buttons to select the desired cycle settings for the selected cycle. The current settings are shown in the display. Press the button for that option to view and select other settings.

### 6 TIME AND STATUS DISPLAY

The display shows the settings, estimated time remaining, options, and status messages for your dryer.

### 7 OPTION BUTTONS

The OPTION buttons allow you to select additional cycle options. Certain buttons feature a special function (see the following pages for details) that can be activated by pressing and holding that option button.

### 8 HELPFUL STEAM FUNCTIONS

LG's new steam technology allows you to inject fabrics with a swirling jet of hot steam to refresh clothes, reduce static, and make ironing easier. Simply select the STEAMFRESH™ cycle, or you can add a STEAM option to selected cycles.

For detailed information about the individual options, please see the following pages.

# HOW TO USE

## CYCLE GUIDE

The cycle guide below shows the options and recommended fabric types for each cycle.

Type	Cycle	Fabric Type	Dry Level	Temperature	Time in Min.	More Time/ Less Time	Wrinkle Care	Damp Dry	Reduce Static	Easy Iron
STEAM CYCLE / SENSOR DRY	STEAM FRESH™	Comforter, Shirts, Trousers (except especially delicate fabrics)	Off	MID HIGH	20 Adjustable	●	●		●	●
	STEAM SANITARY™	Comforter, Bedding, children's clothing	Off	HIGH	39		●			
	HEAVY DUTY	Jeans, heavyweight items	Normal	HIGH	54		●	●	●	●
			Adjustable							
	COTTON/TOWELS	Denims, towels, heavy cottons	Normal	MID HIGH	55		●	●	●	●
			Adjustable							
	NORMAL	Work clothes, corduroys, etc.	Normal	MEDIUM	41		●	●	●	●
			Adjustable							
	PERM. PRESS	Permanent press, synthetic items	Normal	LOW	36		●	●	●	●
			Adjustable							
	DELICATES	Lingerie, sheets, blouses	Normal	LOW	32		●	●	●	●
Adjustable										
BULKY / LARGE	Cormforters, pillows, shirt	Normal	MEDIUM	55				●		
		Adjustable								
SMALL LOAD	Only Normal & Cotton/Towels Fabric Type (Max 3lb)	Normal Adjustable	HIGH	30		●				
ANTI BACTERIAL	Do not use this cycle with delicate fabrics.	Very Dry	HIGH	70		●				
MANUAL DRY	SPEED DRY	For small loads with short drying times	Off	HIGH	25	●	●		●	●
			Adjustable	Adjustable						
	AIR DRY	For items that require heat-free drying such as plastics or rubber	Off	No Heat	30	●	●			
					Adjustable					
TIME DRY	For general drying; time, temperature, and options can be set manually	Off	HIGH	40	●	●		●	●	
			Adjustable	Adjustable						
RACK DRY	Wool sweaters, silk, lingerie	Off	Off	50	●					
			ULTRA LOW LOW	Adjustable						

### Sensor Dry Cycles

Sensor Dry cycles utilize LG's unique dual sensor system to detect and compare the moisture level in clothes and in the air and adjust the drying time as needed to ensure superior results. The dryer automatically sets the dryness level and temperature at the recommended setting for each cycle. The estimated time remaining will be shown in the display.

### Manual Dry Cycles

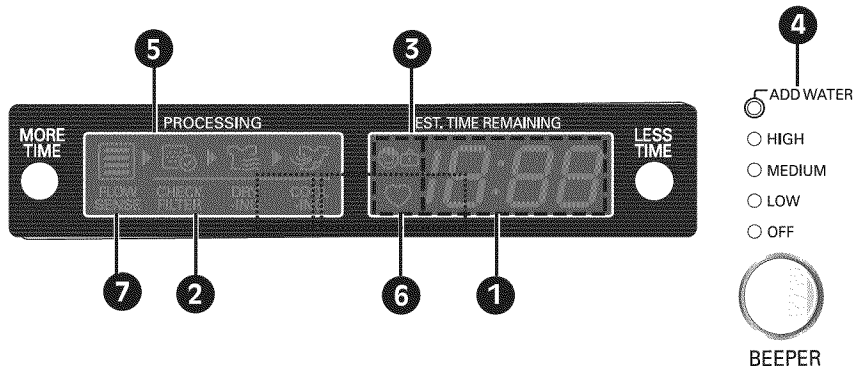
Use Manual Dry cycles to select a specific amount of drying time and a drying temperature. When a Manual Dry cycle is selected, the ESTIMATED TIME REMAINING display shows the actual time remaining in your cycle. You can change the actual time in the cycle by pressing MORE TIME or LESS TIME.

**NOTE:** To protect your garments, not every dry level, temperature, or option is available with every cycle.

# HOW TO USE

## THE DISPLAY

The display shows the settings, estimated time remaining, options, and status messages for your dryer. When the dryer is turned on, the light in the display will illuminate.



### 1 ESTIMATED TIME REMAINING

When the START/PAUSE button is pressed, the dryer will display the estimated (SENSOR DRY) or set time (TIME DRY) remaining, and begin tumbling.

**NOTE:** The cycle time on SENSOR DRY cycles may fluctuate as the dryer recalculates drying time for optimal results.

### 2 CYCLE COMPLETION INDICATOR WITH CHECK FILTER REMINDER

This portion of the display shows which stage of the drying cycle is currently underway (CHECK FILTER, DRYING, COOLING).

### 3 CHILD LOCK INDICATOR

When CHILD LOCK is set, the Child Lock indicator will appear and all buttons are disabled except the ON/OFF button. This prevents children from changing settings while the dryer is operating.

### 4 ADD WATER INDICATOR

If the steam feeder is lack for water, this error may be displayed. Fill the feeder and restart the cycle.

### 5 CHECK FILTER REMINDER

The display will show CHECK FILTER when the dryer is turned on as a reminder to check the filter. It turns off when the START/PAUSE button is pressed.

### 6 CUSTOM PROGRAM

If you have a special combination of settings that you use frequently, you can save these settings as a CUSTOM PROGRAM.

### 7 FLOW SENSE™ DUCT BLOCKAGE SENSING SYSTEM INDICATOR

The FLOW SENSE™ duct blockage sensing system detects and alerts you to blockages in the ductwork that reduce exhaust flow from the dryer. This improve operating efficiency and help minimize service calls, saving you money.

# HOW TO USE

## OPERATING THE DRYER

Once you have loaded the dryer:

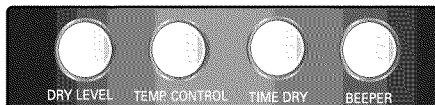
- 1 Press the ON/OFF button to turn on the dryer. The lights around the cycle selector knob will illuminate.



- 2 Turn the cycle selector knob to the desired cycle. The display will show the preset Dry Level, Temperature, Time, and Option settings for that cycle.



- 3 If you would like to change the settings for that cycle, press the option button(s) to display additional settings for that option. Press the button again to cycle through the settings until the desired setting is highlighted.



**NOTE:** To protect your garments, not every dry level, temperature, or option is available with every cycle.

- 4 Select any additional cycle options, such as DAMP DRY BEEP, WRINKLE CARE or RACK DRY by pressing the button for that option.



- 5 Press the START/PAUSE button to begin the cycle. The display will change, and the dryer will display the estimated (SENSOR DRY) or set time (MANUAL DRY) remaining and start tumbling. To pause the cycle at any time, press PAUSE. To resume the cycle where it was stopped, press START/PAUSE again.



**NOTE:** If the dryer has been stopped for more than 8 minutes, the dryer will turn off automatically.

- 6 When the load is finished, the beeper (if set) will sound. If you have set the WRINKLE CARE option, the dryer will tumble the load periodically for up to 3 hours.

To prevent wrinkling, remove items from the dryer immediately after the end of the cycle.

- 7 Always clean the lint filter after every cycle.

To clean, pull the lint filter straight up and roll any lint off the filter with your fingers. Do not rinse or wash the filter to remove lint. Push the lint filter firmly back into place.

## CYCLE SETTING BUTTONS

SENSOR DRY cycles have preset settings that are selected automatically. MANUAL DRY cycles have default settings, but you may also customize the settings using the cycle setting buttons. Press the button for that option to view and select other settings.

**NOTE:** To protect your garments, not every dryness level, temperature, or option is available with every cycle. See the Cycle Guide for details.

### DRY LEVEL



Selects the level of dryness for the cycle. Press the DRY LEVEL button repeatedly to scroll through available settings.

- This option is only available with SENSOR DRY cycles.
- The dryer will automatically adjust the cycle time. Selecting VERY DRY or MORE DRY will increase the cycle time, while LESS DRY or DAMP DRY will decrease the cycle time.
- Use a LESS DRY or DAMP DRY setting for items that you wish to iron.

### TEMP. CONTROL



Adjusts the temperature setting from ULTRA LOW to HIGH. This allows precise care of your fabrics and garments. Press the TEMP. CONTROL button repeatedly to scroll through available settings.

### TIME DRY



Allows you to manually select the drying time, from 20 to 60 minutes, in 10-minute increments. Use this for small loads or to remove wrinkles. Use the MORE TIME/LESS TIME buttons to add or reduce the drying time in 1-minute increments.

### BEEPER



Adjusts the volume of the end-of-cycle beeper, or turns off the beeper.

# HOW TO USE

## CYCLE OPTION BUTTONS

Your dryer features several additional cycle options to customize cycles to meet your individual needs. Certain option buttons also feature a special function (see the following page for details) that can be activated by pressing and holding that option button for 3 seconds.

### *To Add Cycle Options to a Cycle:*

- 1 Turn on the dryer and turn the cycle selector knob to select the desired cycle.
- 2 Use the cycle settings buttons to adjust the settings for that cycle.
- 3 Press the cycle option button(s) for the option you would like to add. A confirmation message will be shown in the display.
- 4 Press the START/PAUSE button to start the cycle. The dryer will start automatically.

### **WRINKLE CARE**



Selecting this option will tumble the load periodically for up to 3 hours after the selected cycle, or until the door is opened. This is helpful in preventing wrinkles when you are unable to immediately remove items from the dryer.

### **DAMP DRY BEEP**



With this option, the dryer will beep when the load is approximately 80% dry. This allows you to remove faster-drying lightweight items or items that you would like to iron or hang while still slightly damp.

## SPECIAL FUNCTIONS

The option buttons also activate special functions, including CHILD LOCK, RACK DRY. Press and hold the option button marked with the special function for 3 seconds to activate.

### \* RACK DRY

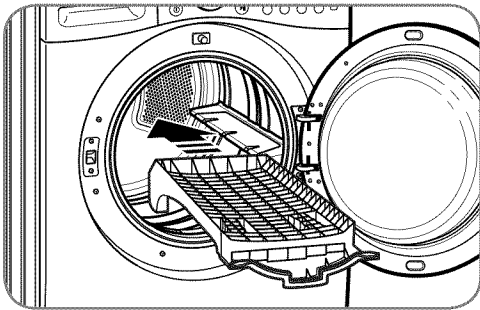


Use RACK DRY with items, such as wool sweaters, silk, and lingerie, that should dry flat. RACK DRY can also be used with items that should not be tumbled dry, such as gym shoes or stuffed animals. Press and hold the WRINKLE CARE button for 3 seconds to activate or deactivate the RACK DRY function.

**NOTE:** NEVER use the rack with a tumble dry cycle.

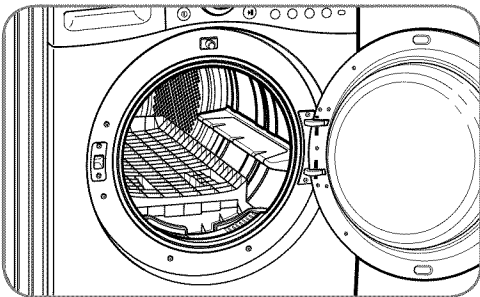
### To Install the Drying Rack

- 1 With the dryer door open, slide the rack into the dryer drum.



- 2 Make sure it is seated evenly on the edge of the inner door rim and resting flat on the inside of the dryer.

**NOTE:** Be sure to remove the drying rack after using the RACK DRY cycle.



### \* CHILD LOCK



Use this option to prevent unwanted use of the dryer or to keep cycle settings from being changed while the dryer is operating. Press and hold the EASY IRON button for 3 seconds to activate or deactivate the CHILD LOCK function.

The lock icon will be shown in the display, and all controls are disabled except the ON/OFF button.

# HOW TO USE

## CUSTOM PROGRAM



If you have a special combination of settings that you use frequently, you can save these settings as a CUSTOM PROGRAM.

### \* To Save a Custom Program:

- 1 Turn on the dryer and turn the cycle selector knob to select the desired cycle.
- 2 Use the cycle setting buttons to adjust the settings for that cycle.
- 3 Press the cycle option button(s) for the option you would like to add. A confirmation message will be shown in the display.
- 4 Press and hold the CUSTOM PROGRAM button for 3 seconds.

**NOTE:** You may only save one custom program at a time. Pressing and holding the CUSTOM PROGRAM button will overwrite any previously saved custom program.

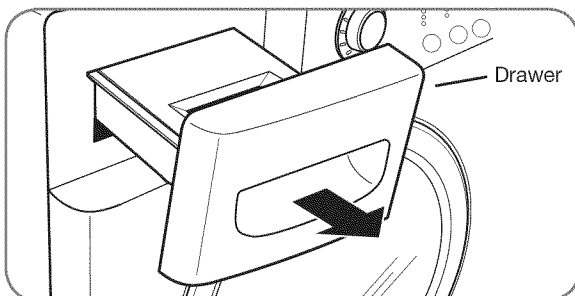
### To Recall a Custom Program:

- 1 Turn on the dryer.
- 2 Press the CUSTOM PROGRAM button.
- 3 Press the START/PAUSE button to start the cycle.

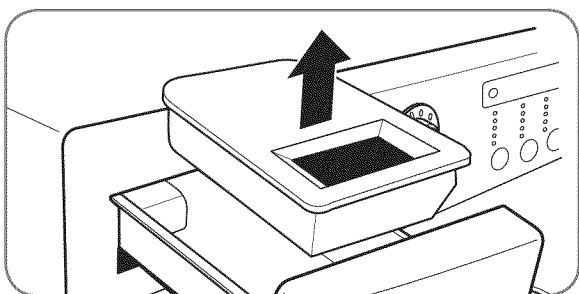
## STEAM FUNCTIONS

### To Fill the Steam Feeder

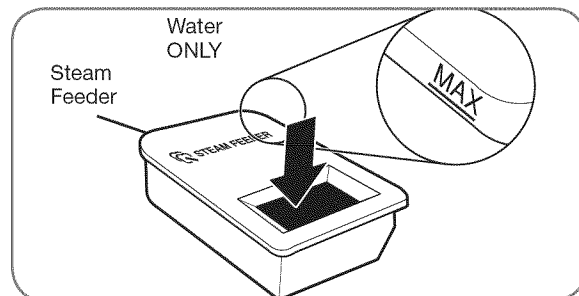
- 1 Pull out the drawer.



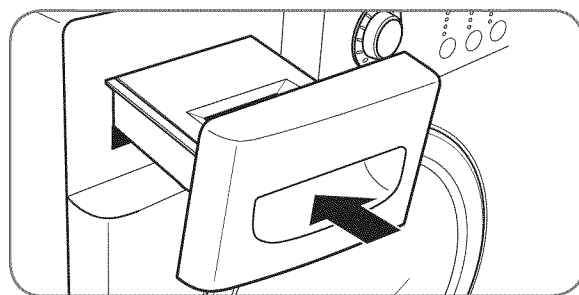
- 2 Lift out the steam feeder.



- 3 Fill the steam feeder to MAX with water.



- 4 Place the steam feeder in the drawer; then push in the drawer until it clicks into place.



### IMPORTANT NOTES ABOUT STEAM CYCLES



Before using a Steam Cycle, the steam feeder must be filled with water up to the MAX line. If not, the ADD WATER light will blink. Make sure that the steam feeder is filled with water and the drawer is completely closed. Turn the dryer off then restart the Steam Cycle.

- Only use water. Do not fill the steam feeder with foreign substances, rinse agents, or detergents.
- Before moving the dryer, make sure the steam feeder is empty.
- Do not use distilled water; the water level sensor in the steam generator will not work.
- Be careful to put the Steam Feeder otherwise water will be overflow.
- Wipe up any spilled water around the Steam Feeder and the drawer before starting the dryer.

## ⚠ WARNING:

- Do not fill the steam feeder with liquids such as gasoline, dry-cleaning solvents, or other flammable or explosive substances. They give off vapors that could explode.
- Do not fill the steam feeder with hot water (over 86°F/30°C).
- Do not drink water from the steam feeder.



## STEAM FUNCTIONS (cont.)

LG's new steam technology allows you to inject fabrics with a swirling jet of hot steam to refresh clothes, reduce static, and make ironing easier. Simply select the STEAMFRESH™ cycle, or you can add a Steam option to selected cycles.

### Using the STEAMFRESH™ Cycle

STEAMFRESH™ uses the power of steam alone to quickly reduce wrinkles and odor in fabrics. It brings new life to wrinkled clothes that have been stored for an extended time and makes heavily wrinkled clothes easier to iron. STEAMFRESH™ can also be used to help reduce odors in fabrics.

#### NOTES:

- REDUCE STATIC or EASY IRON options can also be used during the STEAMFRESH™ cycle.
- Depending on the load (quantity of items), you may change the amount of time for the cycle by pressing the MORE TIME or LESS TIME button. The display will show 3, 5, or *b! 9*. 3 means 3 or fewer items, 5 is for 4 or 5 items, and *b! 9* indicates a large load such as a comforter.

### To Use the STEAMFRESH™ Cycle:

- 1 Turn on the dryer and turn the cycle selector knob to select the **STEAMFRESH™** cycle.
- 2 To add an option function, select REDUCE STATIC, EASY IRON, or WRINKLE CARE.
- 3 Depending on the load (quantity of items), steam time can be changed by pressing the MORE TIME or LESS TIME buttons.
- 4 Press START/PAUSE button to start the cycle.

### To Add STEAM to a Standard Cycle:

- 1 Turn on the dryer and turn the cycle selector knob to select the desired cycle.
- 2 Use the cycle setting buttons to adjust the settings for that cycle.
- 3 Press the Steam option button for the Steam option you would like to add. Then adjust for the load size using the MORE TIME or LESS TIME buttons.
- 4 Press START/PAUSE button to start the cycle.

### Using the Steam Options:



This option injects steam late in the drying cycle to reduce the static electricity caused by dry fabrics rubbing together. Change the amount of time for the cycle by pressing the MORE TIME or LESS TIME button, depending on the load (quantity of items). The display will show the recommended number of items, such as 7, 9, 11, 14, 16, or 18.



The EASY IRON option provides uniform, properly dampened fabrics for ironing, which can save time and make ironing easier. Change the amount of time for the cycle by pressing the MORE TIME or LESS TIME button, depending on the load (quantity of items). The display will show the recommended number of items, such as 1, 2, 3, 4, or 5.

The REDUCE STATIC and EASY IRON options can only be used with the HEAVY DUTY, COTTON/TOWELS, NORMAL and PERM. PRESS, DELICATES and TIME DRY cycles.

#### NOTES:

- When SENSOR DRY is selected with the REDUCE STATIC option, a DRY LEVEL of LESS or DAMP cannot be selected.
- The REDUCE STATIC or EASY IRON option may also be selected during TIME DRY cycles.
- After the Steam option is selected in TIME DRY, the MORE TIME or LESS TIME buttons will change the steam time ONLY.
- After pressing START/PAUSE, the MORE TIME or LESS TIME buttons will be disabled.

### Using the STEAMSANITARY™ cycle

New STEAMSANITARY™ cycle is ideal for sanitizing non washable items quickly and easily using the power of steam alone. Recommend to use this cycle for cotton and polyester material. (Do NOT use for urethane foam, Down feathers or delicates items)

# HOW TO USE

## STEAM FUNCTIONS (cont.)

### **⚠ WARNING:**

- Do not open the dryer door during Steam Cycles. Steam can cause severe burns.
- Do not fill the steam feeder with gasoline, dry-cleaning solvents, or other flammable or explosive substances. They give off vapors vapors that could explode.
- Do not drink water from the steam feeder.
- Do not fill the steam feeder with hot water (over 86°F/30°C).
- Do not touch the steam nozzle in the drum during or after the STEAM cycle.

### **IMPORTANT NOTES ABOUT STEAM CYCLES:**

- Steam may not be clearly visible during the Steam Cycles. This is normal.
- Do not use STEAMFRESH™ with items such as wool, wool blanket, leather jackets, silk, wet clothes, lingerie, foam products, or electric blankets.
- For best results, load articles of similar size and fabric type. Do not overload.
- When the filter/duct is clogged, the Steam option may not have optimal results.
- When the Steam function is operating, the drum will stop to allow steam to stay in the drum.
- The steam feeder must be filled with water up to the MAX line. Otherwise, an Error message will be displayed.

## STEAM CYCLE GUIDE

CYCLE	STEAM	DEFAULT TIME	TEMP. CONTROL	DRY LEVEL	FABRIC STATE	FABRIC TYPE	MAXIMUM AMOUNT
STEAM SANITARY		39 minutes			Dry	Comforter Bedding	Single (1 each)
						Children's clothing	3 lbs.
STEAM FRESH		20 minutes	●		Dry	Comforter Shirts*	Single (1 each) 5 each
	+ REDUCE STATIC	10 minutes Only reduce static			Dry	Shirts*	8 lbs. (18 Items.)
	+ EASY IRON	12 minutes			Dry		Shirts* (5 each)
HEAVY DUTY COTTON/TOWELS NORMAL PERM.PRESS DELICATES	+ REDUCE STATIC	Follow selected cycle		●	Wet	Follow selected cycle	8 lbs. (18 Items.)
	+ EASY IRON			●	Wet	Follow selected cycle	Shirts* (5 each)
TIME DRY	+ REDUCE STATIC	45 minutes	●		Wet	Follow selected temp	8 lbs. (18 Items.)
	+ EASY IRON	47 minutes	●		Wet	Follow selected temp	Shirts* (5 each)

\*Shirt: 70% cotton/30% poly blend. Except especially delicate fabrics.

- When the lint filter or exhaust duct is clogged, steam options will not give proper results.
- For best results, load articles of similar size and fabric type. Do not overload.

# USER-MAINTENANCE INSTRUCTIONS

## REGULAR CLEANING

**⚠ WARNING:** To reduce the risk of fire, electric shock, or injury to persons when using this appliance, follow basic precautions, including the following:

- **Unplug the dryer before cleaning to avoid the risk of electric shock.** Failure to follow this warning can cause serious injury, fire, electrical shock, or death.
- **Never use harsh chemicals, abrasive cleaners, or solvents to clean the washer.** They will damage the finish.

### *Cleaning the Exterior*

Proper care of your dryer can extend its life. The outside of the machine can be cleaned with warm water and a mild, nonabrasive household detergent.

Immediately wipe off any spills with a soft, damp cloth.

**IMPORTANT:** Do not use methylated spirits, solvents, or similar products.

Never use steel wool or abrasive cleansers; they can damage the surface.

### *Cleaning the Interior*

Wipe around the door opening and seal with a soft, damp cloth to prevent lint and dust buildup that could damage the door seal.

Clean the window with a soft cloth dampened with warm water and a mild, nonabrasive household detergent; then wipe dry.

The stainless steel drum can be cleaned with a conventional stainless steel cleaner, used according to the manufacturer's specifications. Never use steel wool or abrasive cleansers; they can scratch or damage the surface.

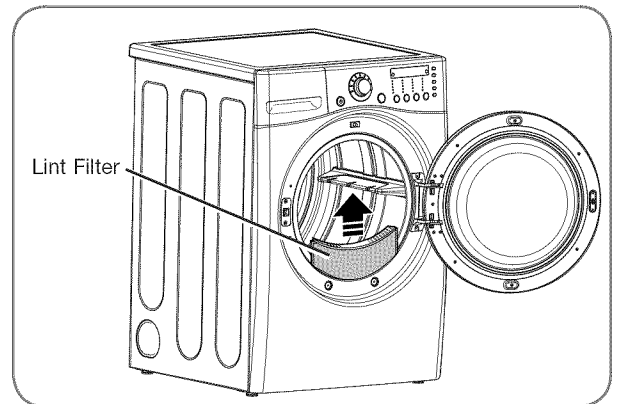
### *Cleaning Around and Under the Dryer*

Vacuum lint and dust from around the dryer and underneath it regularly. Vent ductwork should be checked for lint buildup and cleaned at least once per year. If any noticeable reduction in airflow or drying performance occurs, immediately check ductwork for obstructions and blockages.

### *Maintaining Ductwork*

Vent ductwork should be checked for lint buildup and cleaned at least once per year. If any noticeable reduction in airflow or drying performance occurs, immediately check ductwork for obstructions and blockages. Contact a qualified technician or service provider.

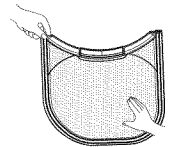
### *Cleaning the Lint Filter*



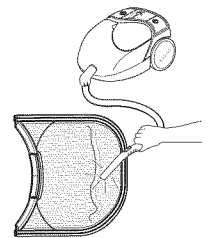
Always clean the lint filter after every cycle.

To clean, open the dryer door and pull the lint filter straight up. Then:

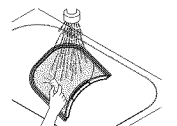
- 1 Roll any lint off the filter with your fingers, or



- 2 Vacuum the lint filter, or



- 3 Wash the lint filter in warm, soapy water and allow to dry thoroughly before reinstalling.



**NOTE:** NEVER operate the dryer without the lint filter in place.

# TROUBLESHOOTING

## BEFORE CALLING FOR SERVICE

Your dryer is equipped with an automatic error-monitoring system to detect and diagnose problems at an early stage. If your dryer does not function properly or does not function at all, check the following before you call for service.

Problem	Possible Causes	Solutions
<b>Dryer will not turn on</b>	<ul style="list-style-type: none"> <li>• Power cord is not properly plugged in.</li> <li>• House fuse is blown, circuit breaker has tripped, or power outage has occurred.</li> </ul>	<ul style="list-style-type: none"> <li>• Make sure that the plug is plugged securely into a grounded outlet matching the dryer's rating plate.</li> <li>• Reset circuit breaker or replace fuse. Do not increase fuse capacity. If the problem is a circuit overload, have it corrected by a qualified electrician.</li> </ul>
<b>Dryer does not heat</b>	<ul style="list-style-type: none"> <li>• House fuse is blown, circuit breaker has tripped, or power outage has occurred.</li> <li>• Gas supply or service turned off (gas models only).</li> </ul>	<ul style="list-style-type: none"> <li>• Reset circuit breaker or replace fuse. Do not increase fuse capacity. If the problem is a circuit overload, have it corrected by a qualified electrician.</li> <li>• Confirm that the house gas shutoff and the dryer gas shutoff are both fully open.</li> </ul>
<b>Greasy or dirty spots on clothes</b>	<ul style="list-style-type: none"> <li>• Fabric softener used incorrectly.</li> <li>• Clean and dirty clothes being dried together.</li> <li>• Clean and dirty clothes being dried together.</li> </ul>	<ul style="list-style-type: none"> <li>• Confirm and follow the instructions provided with your fabric softener.</li> <li>• Make sure to use your dryer to dry only clean items, because dirty items can soil clean clothes placed in the same or subsequent loads.</li> <li>• Stains on dried clothes are actually stains that weren't removed during the washing process. Make sure that clothes are being completely cleaned according to the instructions for your washer and detergent.</li> </ul>
<b>Display shows error code tE1 or tE2</b>	<ul style="list-style-type: none"> <li>• Thermistor is malfunctioning.</li> </ul>	<ul style="list-style-type: none"> <li>• Turn off the dryer and call for service.</li> </ul>
<b>Lint on clothes</b>	<ul style="list-style-type: none"> <li>• Lint filter not cleaned properly.</li> <li>• Laundry not sorted properly.</li> <li>• Excess static in clothes.</li> <li>• Dryer is overloaded.</li> <li>• Tissue, paper, etc., left in pockets.</li> </ul>	<ul style="list-style-type: none"> <li>• Make sure the lint filter is cleaned before every load. With some loads that produce high amounts of lint, it may be necessary to clean the filter during the cycle.</li> <li>• Some fabrics are lint producers (i.e., a fuzzy white cotton towel) and should be dried separately from clothes that are lint trappers (i.e., a pair of black linen pants).</li> <li>• See the <i>Excess static in clothes after drying</i> section below.</li> <li>• Divide larger loads into smaller loads for drying.</li> <li>• Check pockets thoroughly before washing and drying clothes.</li> </ul>
<b>Excess static in clothes after drying</b>	<ul style="list-style-type: none"> <li>• Fabric softener not used or used incorrectly.</li> <li>• Clothes dried too long (overdried).</li> <li>• Drying synthetics, permanent press, or synthetic blends.</li> </ul>	<ul style="list-style-type: none"> <li>• Use a fabric softener to reduce static electricity. Be sure to follow the manufacturer's instructions.</li> <li>• Overdrying a load of laundry can cause a buildup of static electricity. Adjust settings and use a shorter drying time, or use SENSOR DRY cycles.</li> <li>• These materials can cause static buildup. Try using a fabric softener.</li> </ul>

# TROUBLESHOOTING

## BEFORE CALLING FOR SERVICE (cont.)

Problem	Possible Causes	Solutions
<b>Drying time is not consistent</b>	<ul style="list-style-type: none"> <li>Heat settings, load size, or dampness of clothing is not consistent.</li> </ul>	<ul style="list-style-type: none"> <li>The drying time for a load will vary depending on the heat setting, the type of heat used (electric, natural, or LP gas), the size of the load, the type of fabrics, the wetness of the clothes, and the condition of the exhaust ducts and lint filter.</li> </ul>
<b>Clothes take too long to dry</b>	<ul style="list-style-type: none"> <li>Load is not properly sorted.</li> <li>Large load of heavy fabrics.</li> <li>Dryer controls are not set properly.</li> <li>Lint filter needs to be cleaned.</li> <li>Exhaust ducts blocked, dirty, or duct run is too long.</li> <li>House fuse is blown, circuit breaker has tripped, or power outage has occurred.</li> <li>Dryer is overloaded.</li> <li>Dryer is underloaded.</li> </ul>	<ul style="list-style-type: none"> <li>Separate heavy items from lightweight items. Larger and heavier items take longer to dry.</li> <li>Heavy fabrics take longer to dry because they tend to retain more moisture. To help reduce and maintain more consistent drying times for large and heavy fabrics, separate these items into smaller loads of a consistent size.</li> <li>Use the appropriate control settings for the type of load you are drying.</li> <li>Make sure the lint filter is cleaned before every load. With some loads that produce high amounts of lint, it may be necessary to clean the filter during the cycle.</li> <li>Confirm that the exhaust ductwork is properly configured and free of debris, lint, and obstructions. Make sure that outside wall dampers can open properly and are not blocked, jammed, or damaged.</li> <li>Reset circuit breaker or replace fuse. Do not increase fuse capacity. If the problem is a circuit overload, have it corrected by a qualified electrician.</li> <li>Divide larger loads into smaller loads for drying.</li> <li>If you are drying a very small load, add a few extra items to ensure proper tumbling action.</li> </ul>
<b>Clothes are wrinkled</b>	<ul style="list-style-type: none"> <li>Clothes dried too long (overdried).</li> <li>Clothes left in dryer too long after cycle ends.</li> </ul>	<ul style="list-style-type: none"> <li>Overdrying a load of laundry can lead to wrinkled clothes. Try a shorter drying time, and remove items while they still retain a slight amount of moisture.</li> <li>Remove items from the dryer immediately at the end of the cycle. Use the WRINKLE CARE option to continue tumbling clothes at the end of the cycle, for up to 3 hours.</li> </ul>
<b>Clothes are shrinking</b>	<ul style="list-style-type: none"> <li>Garment care instructions are not being followed.</li> </ul>	<ul style="list-style-type: none"> <li>To avoid shrinkage, please carefully follow the fabric care instructions for your garment, because some fabrics will naturally shrink when washed. Other fabrics can be washed but will shrink when dried in a dryer. Use a low or no heat setting and/or the RACK DRY option.</li> </ul>
<b>ADD WATER indicator light is on during the drying cycle</b>	<ul style="list-style-type: none"> <li>Water supply error.</li> </ul>	<ul style="list-style-type: none"> <li>Check steam feeder drawer:               <ol style="list-style-type: none"> <li>Make sure steam feeder is filled with water to MAX line.</li> <li>Make sure steam feeder is seated properly and drawer is fully closed.</li> <li>Turn the dryer off then restart the Steam cycle.</li> </ol> </li> <li>Do not use distilled water; the water level sensor in steam generator will not work.</li> <li>Pump not working. Unplug dryer and call for service.</li> </ul>
<b>Water drips from nozzle when Steam Cycle starts.</b>	<ul style="list-style-type: none"> <li>This is normal.</li> </ul>	<ul style="list-style-type: none"> <li>This is steam condensation. The dripping water will stop after a short time.</li> </ul>

# TROUBLESHOOTING

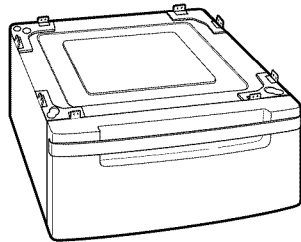
## BEFORE CALLING FOR SERVICE (cont.)

Problem	Possible Causes	Solutions
Steam doesn't generate but no error code is shown.	<ul style="list-style-type: none"><li>• Water level error.</li></ul>	<ul style="list-style-type: none"><li>• Unplug dryer and call for service.</li></ul>
Garments still wrinkled after STEAMFRESH™.	<ul style="list-style-type: none"><li>• Too many or too different types of garments in dryer.</li></ul>	<ul style="list-style-type: none"><li>• Small loads of 1 to 5 items work best.</li><li>• Load fewer garments. Load similar-type garments.</li></ul>
There are no creases left on garment after STEAMFRESH™.	<ul style="list-style-type: none"><li>• The function of this cycle is to remove wrinkles from fabric.</li></ul>	<ul style="list-style-type: none"><li>• Use an iron to make creases.</li></ul>
Garments have static after REDUCE STATIC.	<ul style="list-style-type: none"><li>• This is normal.</li></ul>	<ul style="list-style-type: none"><li>• Depends on individual moisture level in skin.</li></ul>
Garments are too damp or too dry after REDUCE STATIC.	<ul style="list-style-type: none"><li>• Correct drying options not selected.</li></ul>	<ul style="list-style-type: none"><li>• Select load weight manually before starting REDUCE STATIC option.</li></ul>
Garments are not uniformly damp after EASY IRON.	<ul style="list-style-type: none"><li>• This is normal.</li></ul>	<ul style="list-style-type: none"><li>• Depends on the amount or type of garments.</li></ul>
Water drips from door during Steam Cycle.	<ul style="list-style-type: none"><li>• This is normal.</li></ul>	<ul style="list-style-type: none"><li>• This is steam condensation on door surface.</li></ul>
Steam is not visible	<ul style="list-style-type: none"><li>• This is normal.</li></ul>	<ul style="list-style-type: none"><li>• Steam vapor is difficult to see when the door is</li></ul>

# OPTIONAL ACCESSORIES

## OPTIONAL ACCESSORIES

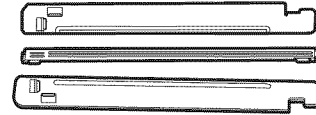
For these and other LG products, contact your local LG dealer, or visit our Web site at [us.lge.com](http://us.lge.com).



### ***Pedestal***

Give your LG washer and dryer a boost with matching 14-inch high pedestals. They feature a storage drawer for added convenience.

<b>14" Pedestal</b>	<b>Color</b>
WDP3W	White
WDP3V	Graphite steel
WDP3R	Wild Cherry Red
WDP3N	Riviera Blue
WDP3S	Titanium



### ***Stacking Kit***

If space is at a premium, use this kit to securely stack your LG front-load washer and dryer.

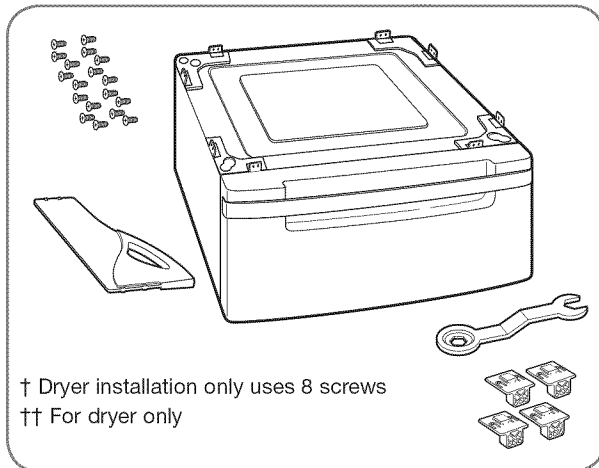
<b>Stacking Kit</b>	<b>Color</b>
WSTK1	White
SSTK1	Titanium
RSTK1	Wild Cherry Red
NSTK1	Riviera Blue

# OPTIONAL ACCESSORIES

## PEDESTAL INSTALLATION

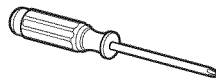
### *The pedestal accessory includes:*

- Drawer divider (1)
- Wrench (1)
- Screws (18) †
- Retainers (4) ††



### *Tools Needed for Installation:*

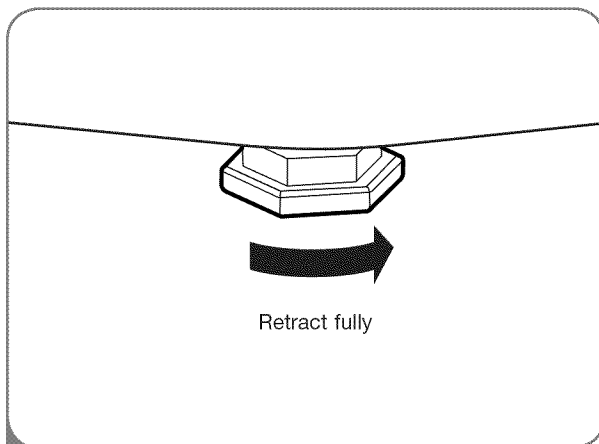
- Phillips-head screwdriver
- Wrench (supplied)



To ensure safe and secure installation, please thoroughly follow the instructions below.

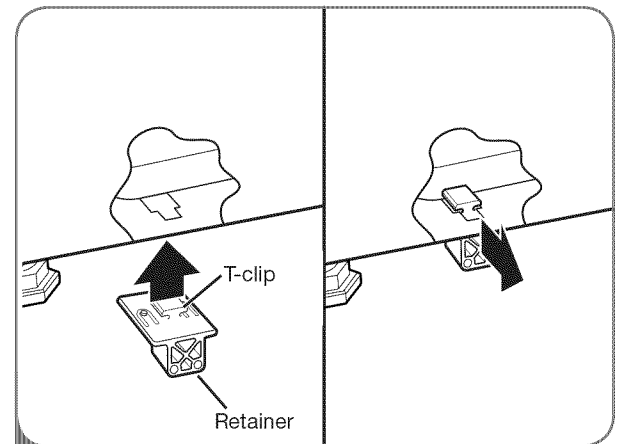
## **⚠ WARNING**

- **Incorrect installation can cause serious accidents.**
- **The appliances are heavy. Two or more people are required when installing the pedestal.** There is a risk of serious back injury or other injuries.
- **Do not allow children to play in or on the drawer.** There is a risk of suffocation or injury.
- **Do not step on the handle.** There is a risk of serious injury.
- **If appliances are already installed, disconnect them from all power, water, or gas lines and from draining or venting connections.** Failure to do so can result in electrical shock, fire, explosion, or death.
- **When installing, gloves must be put on.**



- 1 Make sure the leveling feet of the dryer are fully retracted.

**NOTE:** The appliance and pedestal assembly must be placed on a solid, sturdy, level floor for proper operation.

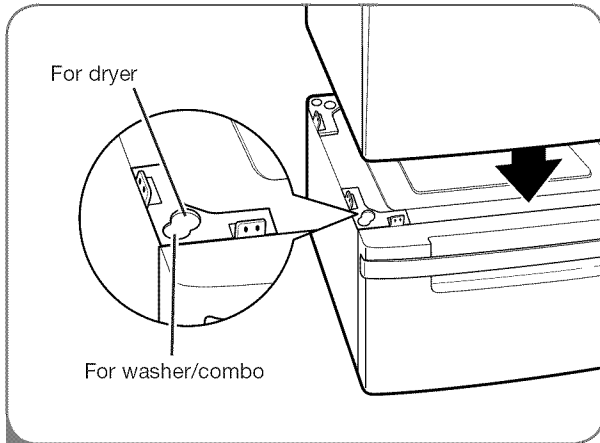


- 2 Insert the T-clip of the 4 retainers into the dryer base as shown. Press up on the back of the clip and pull outward to lock into place.

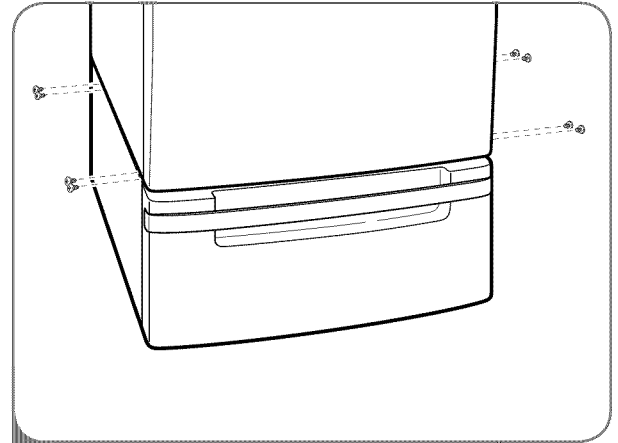


# OPTIONAL ACCESSORIES

## PEDESTAL INSTALLATION (cont.)



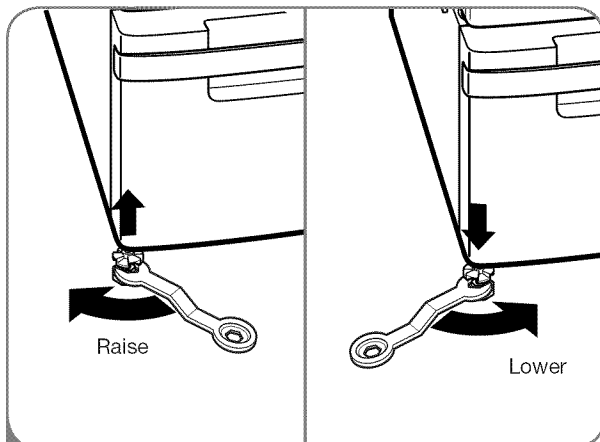
- 3 Place the dryer on the pedestal. Make sure the front and back feet are in the correct positions. The dryer feet will fit into the innermost positions as shown.



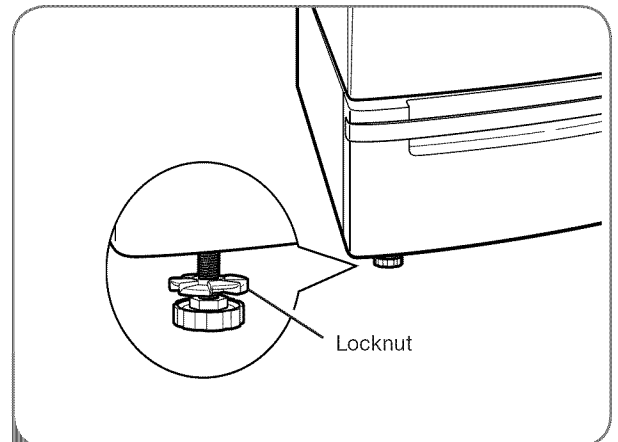
- 4 Make sure the screws on the pedestal align with the holes in the retainers, then install 4 screws on each side to securely attach the appliance to the pedestal.

**NOTE:** If the screws are not installed properly, noise and vibration may result.

Move the appliance to the desired location.



- 5 Loosen the locknuts on all 4 leveling feet of the **pedestal** until you can turn them with the wrench. Turn clockwise to raise or counterclockwise to lower until the pedestal is level and all 4 feet are solidly against the floor.



- 6 Securely tighten all locknuts by hand.

**NOTE:** Noise and vibration may result if locknuts are not tightened.

Be sure to connect the appliances to all water, power, or gas lines and draining or venting connections before operation.

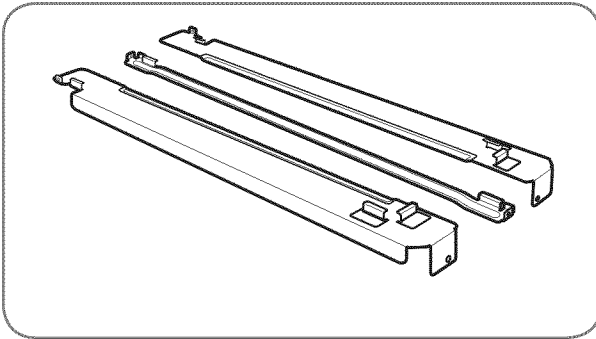
If there is excessive vibration during the first operation after installation, slightly adjust the leveling feet.

# OPTIONAL ACCESSORIES

## STACKING KIT INSTALLATION

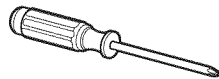
### *This stacking kit includes:*

- Two (2) side rails
- One (1) front rail
- Four (4) screws



### *Tools Needed for Installation:*

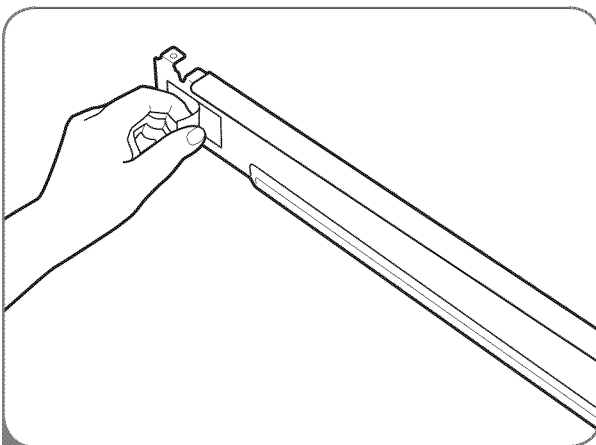
- Phillips-head screwdriver



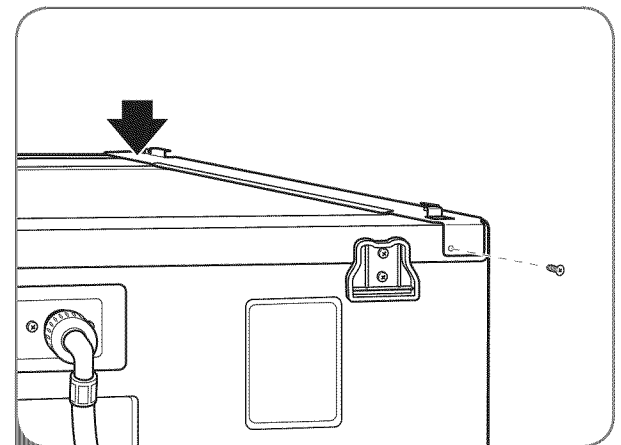
To ensure safe and secure installation, please observe the following instructions.

## **⚠ WARNING**

- **Incorrect installation can cause serious accidents.**
- **The weight of the dryer and the height of installation make this stacking procedure too risky for one person. Two or more people are required when installing the stacking kit.** There is a risk of serious back injury or other injuries.
- **Do not use the stacking kit with a gas dryer in potentially unstable conditions such as a mobile home.** Failure to follow this warning can result in serious injury.
- **Place the washer on a solid, stable, level floor capable of supporting the weight of both appliances.** Failure to follow this warning can result in serious injury.
- **Do NOT stack the washer on top of the dryer.** Failure to follow this warning can result in serious injury.
- **If appliances are already installed, disconnect them from all power, water, or gas lines and from draining or venting connections.** Failure to do so can result in electrical shock, fire, explosion, or death.



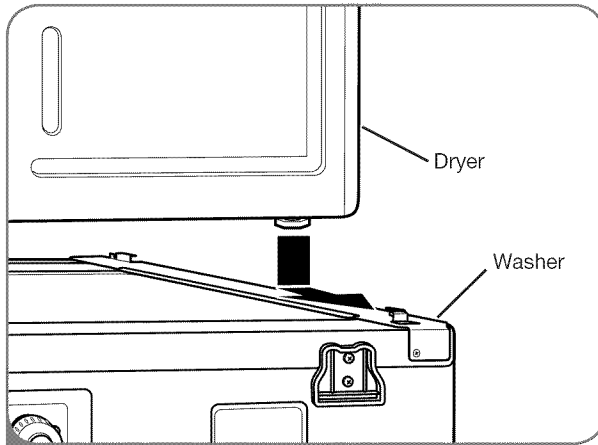
- 1 Make sure the surface of the washer is clean and dry. Remove paper backing from the tape on one of the stacking kit side brackets.



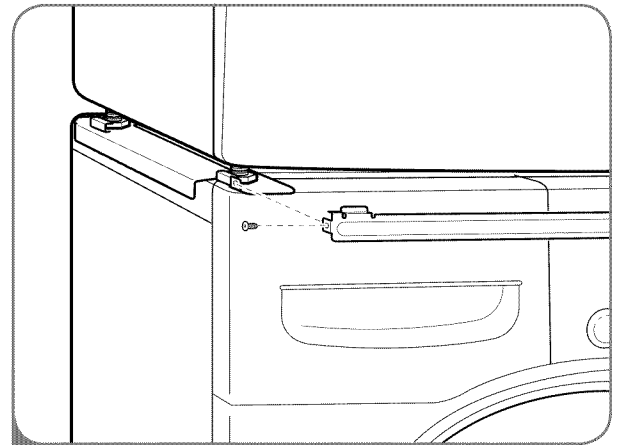
- 2 Fit the side bracket to the side of the washer top as shown in the above illustration. Firmly press the adhesive area of the bracket to the washer surface. Secure the side bracket to the washer with a screw on the back side of the bracket. Repeat steps 1 and 2 to attach the other side bracket.

# OPTIONAL ACCESSORIES

## STACKING KIT INSTALLATION (cont.)



**3** Place the dryer on top of the washer by fitting the dryer feet into the side brackets as illustrated. Avoid finger injuries; do not allow fingers to be pinched between the washer and dryer. Slowly slide the dryer toward the back of the washer until the side bracket stoppers catch the dryer feet.



**4** Insert the front rail between the bottom of the dryer and the top of the washer. Push the front rail toward the back of the washer until it comes in contact with the side rail stoppers. Install the two remaining screws to secure the front rail to the side rails.

## SPECIFICATIONS

### KEY DIMENSIONS AND SPECIFICATIONS

The appearance and specifications listed in this guide may vary due to constant product improvements.

Steam Dryer™ Models DLEX2901W, DLEX2901V, DLEX2901R, DLEX2901S, DLEX2901L, DLGX2902W, DLGX2902V, DLGX2902R, DLGX2902S and DLGX2902L	
<b>Description</b>	Steam Dryer
<b>Electrical Requirements*</b>	Please refer to the rating label regarding detailed information.
<b>Gas Requirements*</b>	NG: 10–13 in. WC/LP: 10–13 in. WC (Gas Models only)
<b>Dimensions</b>	27" (W) X 30" (D) X 38 <sup>11</sup> / <sub>16</sub> " (H), 51" (D with door open) 68.6 cm (W) X 76.1 cm (D) X 98.3 cm (H), 129.7 cm (D with door open)
<b>Net Weight</b>	136.6 lbs. (62 kg)
<b>Drying Capacity</b>	
- Normal Cycle	IEC 7.4 cu.ft. (22.5 lbs./10.2 kg)
- Steam Cycle	IEC 7.4 cu.ft. (8 lbs./3.6 kg)

\*Refer to the rating plate on your dryer.

**LG ELECTRONICS, INC.  
LG DRYER LIMITED WARRANTY - USA**



Your LG Dryer will be repaired or replaced, at LG's option, if it proves to be defective in material or workmanship under normal use, during the warranty period ("Warranty Period") set forth below, effective from the date ("Date of Purchase") of original consumer purchase of the product. This warranty is good only to the original purchaser of the product and effective only when used in the United States, including Alaska, Hawaii, and U.S. Territories.

<p><b><u>WARRANTY PERIOD:</u></b></p> <p><b>LABOR: One Year</b> from the Date of Purchase.</p> <p><b>PARTS: One Year</b> from the Date of Purchase.</p> <p>Replacement Units and Repair Parts may be new or remanufactured.</p> <p>Replacement Units and Repair Parts are warranted for the remaining portion of the original unit's warranty period.</p>	<p><b><u>HOW SERVICE IS HANDLED:</u></b></p> <p><b>In-Home Service:</b></p> <p>Please retain dealer's dated bill of sale or delivery ticket as evidence of the Date of Purchase for proof of warranty, and submit a copy of the bill of sale to the service person at the time warranty service is provided.</p> <p><b>Please call 1-800-243-0000 and choose the appropriate option to locate your nearest LG Authorized Service Center.</b></p> <p>Or visit our Web site at: <a href="http://www.lgservice.com">http://www.lgservice.com</a>.</p>
---	--

**THIS WARRANTY IS IN LIEU OF ANY OTHER WARRANTY, EXPRESS OR IMPLIED, INCLUDING WITHOUT LIMITATION, ANY WARRANTY OF MERCHANTABILITY OR FITNESS FOR A PARTICULAR PURPOSE. TO THE EXTENT ANY IMPLIED WARRANTY IS REQUIRED BY LAW, IT IS LIMITED IN DURATION TO THE EXPRESS WARRANTY PERIOD ABOVE. NEITHER THE MANUFACTURER NOR ITS U.S. DISTRIBUTOR SHALL BE LIABLE FOR ANY INCIDENTAL, CONSEQUENTIAL, INDIRECT, SPECIAL, OR PUNITIVE DAMAGES OF ANY NATURE, INCLUDING WITHOUT LIMITATION, LOST REVENUES OR PROFITS, OR ANY OTHER DAMAGE WHETHER BASED IN CONTRACT, TORT, OR OTHERWISE.** Some states do not allow the exclusion or limitation of incidental or consequential damages or limitations on how long an implied warranty lasts, so the above exclusion or limitation may not apply to you. This warranty gives you specific legal rights and you may also have other rights that vary from state to state.

**THIS LIMITED WARRANTY DOES NOT APPLY TO:**

- Service trips to your home to deliver, pick up, and/or install the product, instruct, or replace house fuses or correct wiring, or correction of unauthorized repairs.
- Damages or operating problems that result from misuse, abuse, operation outside environmental specifications or contrary to the requirements of precautions in the Operating Guide, accident, vermin, fire, flood, improper installation, acts of God, unauthorized modification or alteration, incorrect electrical current or voltage, or commercial use, or use for other than intended purpose.

The cost of repair or replacement under these excluded circumstances shall be borne by the consumer.

**CUSTOMER INTERACTIVE CENTER NUMBERS**

<p><b>To obtain Customer Assistance, Product Information, or Dealer or Authorized Service Center location:</b></p>	<p><b>Call 1-800-243-0000</b> (24 hours a day, 365 days per year), and select the appropriate option from the menu.</p> <p><b>Or visit our Web site at: <a href="http://www.lgservice.com">http://www.lgservice.com</a>.</b></p>
--	--

**TO CONTACT LG ELECTRONICS BY MAIL:**

LG Customer Interactive Center  
P. O. Box 240007  
201 James Record Road  
Huntsville, Alabama 35824  
ATTN: CIC

***Product Registration Information***

**Model:** \_\_\_\_\_

**Serial Number:** \_\_\_\_\_

**Date of Purchase:** \_\_\_\_\_

The model and serial number can be located on the rating plate inside the front door.

# LG ELECTRONICS, INC. LG DRYER LIMITED WARRANTY - CANADA

Visit our web site: [www.LG.ca](http://www.LG.ca)

LG Electronics Canada, Inc.

## LIMITED WARRANTY

Should your product prove to be defective in materials or workmanship under normal use during the warranty period listed below, which warranty period runs from the original date of purchase, LG Electronics will, at its option, repair or replace the product at no charge to you.

The warranty is valid only to the original purchaser of the product, during the warranty period, as long as it is in Canada.

### LG Dryer Warranty Period

<u>Components</u>	<u>Parts</u>	<u>Labor</u>
All Parts	1 Year	1 Year (In-Home Service)
Motor, Controller	3 Years	1 Year (In-Home Service)
Drum Tub	5 Years	1 Year (In-Home Service)

No other warranty is applicable to this product. THE DURATION OF ANY IMPLIED WARRANTIES, INCLUDING THE IMPLIED WARRANTY OF MERCHANTABILITY, IS LIMITED TO THE DURATION OF THE EXPRESS WARRANTY HEREIN. LG ELECTRONICS SHALL NOT BE LIABLE FOR THE LOSS OF USE OF THE PRODUCT, INCONVENIENCE, LOSS, OR ANY OTHER DAMAGES, DIRECT OR CONSEQUENTIAL, ARISING OUT OF THE USE OF OR INABILITY TO USE, THIS PRODUCT OR FOR ANY BREACH OF ANY EXPRESS OR IMPLIED WARRANTY, INCLUDING THE IMPLIED WARRANTY OF MERCHANTABILITY OR FITNESS FOR A PARTICULAR PURPOSE, APPLICABLE TO THIS PRODUCT.

Some Provinces or Territories do not allow for the exclusion or limitation of incidental or consequential damages or limitations on how long an implied warranty lasts; so these limitations or exclusions may not apply to you. This warranty gives you (the original purchaser) specific legal rights and you may also have other rights, which vary from province to province or territory to territory.

### THE ABOVE WARRANTY DOES NOT APPLY TO:

1. Service trips to your home to deliver and pickup, install, instruct, or replace house fuses, or connect house wiring or plumbing, or correction of unauthorized repairs.
2. Damage to the product caused by accident, pest, fire, floods, or acts of God.
3. Repairs when your LG product is used in other than normal, single-family household use or contrary to the instructions outlined in the product's owner's manual.
4. Damage resulting from accident, alteration, misuse, abuse, or improper installation or maintenance.
5. Products with altered or removed serial numbers.

If the product is installed outside the normal service area, any cost of transportation involved in the repair of the product, or the replacement of a defective part, shall be borne by you (the owner).

### CUSTOMER ASSISTANCE INFORMATION:

To obtain Warranty Coverage:

Retain your Bill of Sale to prove the date of purchase. A copy of your Sales Receipt must be submitted when warranty service is provided. This warranty is invalid if the factory applied serial number has been altered or removed from the product.

To obtain Product or Customer Service Assistance:

Call 1-888-LG-CANADA (542-2623)  
Press the appropriate menu option, and have your product model and serial numbers.

To obtain the nearest Authorized Service Center:

Access our web site at: [www.LG.ca](http://www.LG.ca) (Service Option) or Call 1-888-LG-CANADA (542-2623)  
Press the appropriate menu option, have your product model & serial numbers and your postal code ready.

# INTRODUCCIÓN

## INSTRUCCIONES IMPORTANTE DE SEGURIDAD

Qué hacer si huele gas.....	47
Precauciones básicas de seguridad .....	48
Ley ejecutiva para la seguridad del agua potable y los tóxicos de California (California Safe Drinking Water and Toxic Enforcement Act).....	48
Instrucciones de conexión a tierra .....	49
Instrucciones importante para la instalación.....	49,50
Instrucciones de seguridad para funciones de vapor .....	50
Instrucciones importante para conectar la electricidad .....	51

## PIEZAS Y CARACTERÍSTICAS

Características especiales.....	52
Piezas y componentes clave.....	53

## INSTRUCCIONES PARA LA INSTALACIÓN

IMPORTANTE: ¡Lea todas las instrucciones de instalación completamente antes de instalar y hacer funcionar su secadora!..... 54

Escoja el lugar adecuado.....	54
Espacios de instalación.....	54
Instalaciones con la base pedestal o kit de apilado opcionales .....	55
Accesorios Opcionales .....	55
Nivelación de la secadora .....	56
Cómo invertir el sentido de la puerta .....	56
Cómo cambiar la ubicación del conducto de ventilación de la secadora.....	57
Conexión del conducto de ventilación de la secadora.....	58, 59
Conexión de secadoras a gas.....	60, 61
Cómo conectar las secadoras eléctricas.....	62-66
Requisitos especiales para viviendas móviles o prefabricadas .....	67
Revisión de instalación final.....	67
Revisión de flujo (Sistema de evaluación del estado del conducto).....	68

## CÓMO USAR

Clasificación de cargas .....	69
Cómo cargar la secadora.....	69
Revise el filtro de pelusa antes de cada uso.....	69
Características del panel de control.....	70
Guía de ciclos.....	71
La pantalla.....	72
Funcionamiento de la secadora .....	73
Botones de ajuste de ciclos.....	73
Botones de opción de ciclo .....	74
Funciones especiales.....	75
Programa personalizado .....	76
Funciones de vapor.....	76-79
Guía de ciclo de vapor .....	79

## INSTRUCCIONES DEL MANTENIMIENTO PARA EL USUARIO

Limpieza regular .....	80
------------------------	----

## ¡GRACIAS!

Felicitaciones por su compra y bienvenido a la familia LG. Su nueva Secadora LG combina la tecnología de sensor de secado más avanzada con un funcionamiento sencillo y muy eficiente. Al seguir las instrucciones de funcionamiento y mantenimiento de este manual, su secadora le brindará muchos años de servicio fiable.

## RESOLUCIÓN DE PROBLEMAS

Antes de llamar a mantenimiento.....	81-84
--------------------------------------	-------

## ACCESORIOS OPCIONALES/ESPECIFICACIONES

Accesorios opcionales .....	85
Instalación del pedestal.....	86, 87
Instalación del kit de apilado.....	88, 89
Dimensiones y especificaciones clave.....	89

## GARANTÍA .....



# INSTRUCCIONES IMPORTANTE DE SEGURIDAD

## LEA TODAS LA INSTRUCCIONES ANTES DE USAR

**⚠️ ADVERTENCIA** Por su seguridad, debe seguir la información indicada en este manual para minimizar el riesgo de incendio o explosión, descarga eléctrica, o para prevenir daños a la propiedad, lesiones personales o muerte.

### Su Seguridad y la de los demás son de suma importancia.

En este manual y en su electrodoméstico figuran muchos mensajes importantes de seguridad. Lea y cumpla siempre con todos los mensajes de seguridad.



Éste es el símbolo de alerta de seguridad.

El mismo alerta sobre potenciales riesgos de muerte o heridas tanto para usted como para otras personas.

Todos los mensajes de seguridad estarán a continuación del símbolo de alerta de seguridad y con la palabra PELIGRO o ADVERTENCIA. Estas palabras significan:

**⚠️ PELIGRO:** Corre riesgo de muerte o de sufrir heridas serias si no sigue las instrucciones inmediatamente.

**⚠️ ADVERTENCIA:** Corre riesgo de muerte o de sufrir heridas serias si no sigue las instrucciones.

Todos los mensajes de seguridad le indicarán cuál es el riesgo potencial, le dirán cómo reducir las posibilidades de sufrir heridas y qué puede suceder si no se siguen las instrucciones.

- **No instale una secadora junto a materiales de ventilación plásticos flexibles. Si se instala un conducto flexible metálico (de tipo lámina de metal), éste deberá cumplir las especificaciones determinadas por el fabricante del electrodoméstico para su uso con secadoras. Se sabe que los materiales de ventilación flexibles se contraen, se agrietan con rapidez y atrapan pelusas. Estas condiciones obstruirán el flujo de aire de la secadora y aumentarán el riesgo de incendio.**
- **No almacene o use gasolina ni ningún otro tipo de vapores o líquidos inflamables cerca de este electrodoméstico ni de ningún otro electrodoméstico.**
- **Únicamente un técnico calificado de mantenimiento, agencia de mantenimiento o compañía de gas deberán realizar el mantenimiento y la instalación.**
- **Instale la secadora según las instrucciones del fabricante y las normativas locales.**
- **Guarde estas instrucciones.**

## QUÉ HACER SI HUELE GAS:

1. No intente encender un cigarrillo o fósforo, ni encender ningún electrodoméstico a gas o eléctrico.
2. No toque ningún interruptor eléctrico. No use ningún teléfono en su edificio.
3. No permita que ninguna persona se encuentre en la habitación, edificio o área.
4. Llame a su compañía de gas inmediatamente desde el teléfono de un vecino. Siga las instrucciones de su compañía de gas al pie de la letra.
5. Si no puede comunicarse con su compañía de gas, llame al departamento de bomberos.

# INSTRUCCIONES IMPORTANTE DE SEGURIDAD

## LEA TODAS LA INSTRUCCIONES ANTES DE USAR

**⚠️ ADVERTENCIA** Por su seguridad, se debe seguir la información indicada en este manual para minimizar el riesgo de incendio o explosión, descarga eléctrica, o para prevenir daños a la propiedad, lesiones personales o muerte.

### PRECAUCIONES BÁSICAS DE SEGURIDAD

**⚠️ ADVERTENCIA** Para minimizar el riesgo de incendio o explosión, descarga eléctrica, o para prevenir lesiones personales cuando use electrodomésticos, se deben seguir precauciones básicas de seguridad, incluyendo las siguientes:

- Lea todas las instrucciones antes de usar la secadora.
- Antes de usar, la secadora debe estar correctamente instalada como se describe en este manual.
- No coloque artículos que hayan sido expuestos a aceites, incluyendo aceites comestibles, en su secadora. Los artículos contaminados con aceites comestibles podrían contribuir a la generación de una reacción química que podría ocasionar que una carga se incendie.
- No seque artículos que hayan sido limpiados, lavados, remojados o salpicados previamente con gasolina, disolventes de limpieza en seco u otras sustancias inflamables o explosivas, ya que emanan vapores que podrían encenderse o explotar, incluso después del lavado.
- No introduzca las manos en la secadora cuando el tambor o las otras partes estén en movimiento.
- No repare o reemplace ninguna parte de la secadora ni intente reparar la misma a menos que esto se recomiende en forma específica en esta Guía de Uso y Cuidado o en instrucciones de reparación publicadas las cuales comprende y sabe aplicar.
- No altere los controles.
- Antes de poner la secadora fuera de servicio o de tirarla, quite la puerta para prevenir que los niños se metan dentro.
- No deje que los niños jueguen en la secadora ni dentro de ella. Cuando se usa la secadora cerca de los niños, se necesita una supervisión estricta.
- Use suavizadores de tela o productos para eliminar estática únicamente del modo recomendado por el fabricante.
- No use calor para secar artículos que contienen caucho espumoso, plásticos o materiales de textura similar al caucho.
- Evite la acumulación de pelusa, polvo o tierra alrededor del área de la apertura de ventilación y áreas adyacentes.
- La parte interior de la secadora y el conducto de ventilación se deberán limpiar periódicamente, y la misma deberá ser realizada por personal calificado del servicio.
- No instale ni coloque esta secadora en lugares donde pueda estar expuesta a variables climáticas.
- Antes de cargar la secadora, siempre revise que no haya objetos extraños en su interior.
- Retire la pelusa del filtro antes de cada carga.

### LEY EJECUTIVA PARA LA SEGURIDAD DEL AGUA POTABLE Y LOS TÓXICOS DE CALIFORNIA (CALIFORNIA SAFE DRINKING WATER AND TOXIC ENFORCEMENT ACT)

Esta ley requiere que el gobernador de California publique un listado de sustancias conocidas en el estado que causan cáncer, defectos congénitos u otras lesiones reproductivas, y obliga a los negocios a alertar a los clientes sobre la posible exposición a tales sustancias.

Los electrodomésticos a gas pueden causar exposición leve a cuatro de estas sustancias, principalmente benceno, monóxido de carbono, formaldehído y hollín, generado principalmente por la combustión parcial del gas natural o los combustibles LP (petróleo líquido).

Las secadoras calibradas adecuadamente minimizarán la combustión parcial. Para minimizar incluso más la exposición a estas sustancias, se puede dotar a la secadora de la ventilación adecuada al exterior.



# INSTRUCCIONES IMPORTANTE DE SEGURIDAD

## LEA TODAS LA INSTRUCCIONES ANTES DE USAR

**⚠️ ADVERTENCIA** Por su seguridad, se debe seguir la información indicada en este manual para minimizar el riesgo de incendio o explosión, descarga eléctrica, o para prevenir daños a la propiedad, lesiones personales o muerte.

### INSTRUCCIONES DE CONEXIÓN A TIERRA

Este electrodoméstico deberá estar conectado a tierra. En caso de avería o mal funcionamiento, la conexión a tierra reducirá el riesgo de descargas eléctricas al brindar un camino con una resistencia menor para la corriente eléctrica. Este electrodoméstico debe estar equipado con un cable con un conductor para la conexión a tierra del equipo y un enchufe con conexión a tierra. El enchufe deberá estar conectado a una toma de corriente instalada en forma adecuada y con conexión a tierra de acuerdo con todos los códigos y ordenanzas locales.

**⚠️ ADVERTENCIA** — Una conexión inapropiada del conductor de conexión a tierra del equipo puede provocar riesgos de descargas eléctricas. Consulte a un electricista

calificado o personal del servicio si tiene dudas de que el electrodoméstico se encuentre conectado a tierra apropiadamente.

No modifique el enchufe que se entrega con el electrodoméstico. Si no coincide con la toma de corriente, contrate a un electricista calificado para que instale una toma de corriente en forma adecuada.

Este electrodoméstico debe estar conectado a un sistema de cableado de metal permanente con conexión a tierra o se debe tender un conductor para la conexión a tierra del equipo con los conductores del circuito y conectado al terminal de tierra del equipo o al conductor de suministro del electrodoméstico.

Si la secadora no se encuentra adecuadamente conectada a tierra se pueden producir descargas eléctricas.

### INSTRUCCIONES IMPORTANTE PARA LA INSTALACIÓN

**⚠️ ADVERTENCIA** Para reducir el riesgo de incendio, descargas eléctricas o heridas al usar su electrodoméstico, siga las precauciones básicas, incluyendo lo siguiente:

- Conecte la secadora adecuadamente a tierra según todos los códigos y las regulaciones vigentes. Siga los detalles en las instrucciones de instalación. Si la secadora no se encuentra adecuadamente conectada a tierra se pueden producir descargas eléctricas.
- Antes de usar, la secadora debe estar correctamente instalada como se describe en este manual. Si la secadora no se encuentra adecuadamente conectada a tierra se pueden producir descargas eléctricas.
- Todas las reparaciones y controles deberán ser realizados por un centro de servicio autorizado a menos que se den otras recomendaciones específicas en el Manual del Usuario. Utilice sólo piezas de fábrica autorizadas. Si no se cumple con esta advertencia se podrán producir heridas graves, incendios, descargas eléctricas o muerte.
- Instale y almacene la secadora en un lugar no expuesto a temperaturas inferiores al punto de congelación ni expuesto a la intemperie. Si no se cumple con esta advertencia se podrán producir heridas graves, incendios, descargas eléctricas o muerte.
- No lo instale cerca de un elemento que genera calor, como una cocina u horno de cocción. No hacerlo puede provocar una deformación, humo o un incendio.
- No coloque velas o cigarrillos sobre el producto. No hacerlo puede provocar una deformación, humo o un incendio.
- Quite la película de vinilo protectora del producto. No hacerlo puede provocar una deformación, humo o un incendio.
- Con el fin de reducir el riesgo de descargas eléctricas no instale la secadora en espacios húmedos. Si no se cumple con esta advertencia se podrán producir heridas graves, incendios, descargas eléctricas o muerte.
- Conecte un circuito eléctrico clasificado, protegido y adecuado para evitar sobrecarga eléctrica. Un circuito eléctrico inadecuado se puede fundir, creando descargas eléctricas y/o riesgo de incendio.
- Quite todos los elementos de embalaje y desheche adecuadamente todos los materiales de envío. Si no se cumple con esto se podrá producir una explosión, incendio, quemaduras o muerte.
- Coloque la secadora a un altura mínima de 18 pulgadas encima del piso para una instalación en el garaje. Si no se cumple con esto se podrá producir una explosión, incendio, quemaduras o muerte.
- Mantenga todos los envoltorios alejados de los niños. Los materiales de los envoltorios pueden resultar peligrosos para los niños. Existe riesgo de asfixia.

# INSTRUCCIONES IMPORTANTE DE SEGURIDAD

## LEA TODAS LA INSTRUCCIONES ANTES DE USAR

**⚠️ ADVERTENCIA** Por su seguridad, se debe seguir la información indicada en este manual para minimizar el riesgo de incendio o explosión, descarga eléctrica, o para prevenir daños a la propiedad, lesiones personales o muerte.

### INSTRUCCIONES IMPORTANTE PARA LA INSTALACIÓN

Conducto de escape/Tubería:

- Las secadoras a gas **DEBEN** tener un conducto de ventilación al exterior. Si no se siguen estas instrucciones se podrá producir incendio o muerte.
- Para prevenir el ingreso de grandes cantidades de humedad y pelusa a la habitación, se recomienda enfáticamente dotar las secadoras eléctricas de un conducto de ventilación al exterior. La acumulación de pelusa en cualquier parte de la casa puede crear riesgos de salud e incendio.
- Use únicamente sistemas de ventilación de metal rígido o flexible de 4 pulgadas de diámetro dentro del gabinete de la secadora o para ventilación al exterior. Los sistemas de ventilación de plástico u otro material pueden causar incendios. Los sistemas de ventilación agujereados pueden causar incendios si se colapsan o bloquean durante el uso o la instalación.
- No se provee el sistema de ventilación con la secadora; el mismo deberá obtenerse localmente. La tapa terminal deberá tener reguladores de tiro con bisagras para prevenir el retorno de descarga cuando no se usa la secadora. Si no se siguen estas instrucciones se podrá producir incendio o muerte.
- El conducto de escape deberá tener 10.2 cm (4 pulg.) de diámetro sin obstrucciones. El conducto de escape deberá mantenerse lo más corto posible. Asegúrese de limpiar cualquier tipo de conducto antiguo antes de instalar su secadora nueva. Si no se siguen estas instrucciones se podrá producir incendio o muerte.
- Se recomiendan conductos rígidos o semirígidos para usar entre la secadora y la pared. En instalaciones particulares cuando es imposible realizar una conexión siguiendo las recomendaciones antes indicadas, únicamente se puede utilizar un conducto metálico de transición aprobado por UL entre la secadora y la conexión de pared. Usar este tipo de conducto afectará el tiempo de secado. Si no se siguen estas instrucciones se podrá producir incendio o muerte.
- NO utilice tornillos de lámina de metal ni otro tipo de aseguradores que extiendan dentro del conducto y puedan atrapar pelusa y reducir la eficiencia del sistema de escape. Asegure todas las uniones con cinta adhesiva impermeable. Para más detalles, siga las Instrucciones de Instalación. Si no se siguen estas instrucciones se podrá producir incendio o muerte.

### INSTRUCCIONES DE SEGURIDAD PARA FUNCIONES DE VAPOR

**⚠️ ADVERTENCIA** Para reducir el riesgo de incendio, descarga eléctrica o lesiones a personas cuando utilice este artefacto, deben seguirse precauciones básicas de seguridad, incluyendo las siguientes:

- No abra la puerta de la secadora durante los ciclos de vapor. No seguir estas instrucciones puede provocar un peligro de quemaduras.
- No seque artículos que previamente se hayan limpiado, lavado, sumergido o manchado con gasolina, solventes para limpieza en seco u otras sustancias inflamables o explosivas ya que emanan vapores que podrían prenderse fuego o explotar. No seguir estas instrucciones puede provocar un incendio o la muerte.
- No llene el alimentador de vapor con gasolina, solventes para limpieza en seco u otras sustancias inflamables o explosivas. No seguir estas instrucciones puede provocar un incendio o la muerte.
- No toque la boquilla de vapor del tambor durante o después del ciclo de vapor. No seguir estas instrucciones puede provocar un peligro de quemaduras.
- No llene el alimentador de vapor con agua caliente (más de 86° F / 30° C). No seguir estas instrucciones puede provocar un peligro de quemaduras.

# INSTRUCCIONES IMPORTANTE DE SEGURIDAD

## LEA TODAS LA INSTRUCCIONES ANTES DE USAR

**⚠️ ADVERTENCIA** Por su seguridad, se debe seguir la información indicada en este manual para minimizar el riesgo de incendio o explosión, descarga eléctrica, o para prevenir daños a la propiedad, lesiones personales o muerte.

## INSTRUCCIONES IMPORTANTE PARA CONECTAR LA ELECTRICIDAD

**⚠️ ADVERTENCIA** Para reducir el riesgo de incendio, descargas eléctricas o heridas al usar su electrodoméstico, siga las precauciones básicas, incluyendo lo siguiente:

- **Bajo ninguna circunstancia, corte o quite la tercera pata (puesta a tierra) del cable eléctrico.** Para evitar heridas a nivel personal o daños sobre la secadora, el cable de corriente eléctrica debe estar conectado en una conexión a tierra en condiciones adecuadas.
- **Por motivos de seguridad personal, este electrodoméstico debe estar conectado a tierra adecuadamente.** Si esto no se cumple se podrán producir descargas eléctricas o heridas.
- **Consulte las instrucciones de instalación de este manual para obtener los requisitos eléctricos específicos de su modelo.** Si estas instrucciones no se cumplen se podrán producir descargas eléctricas y/o riesgo de incendio.
- **Esta secadora debe estar enchufada a un tomacorriente conectado a tierra adecuadamente. Si la secadora no se encuentra adecuadamente conectada a tierra se pueden producir descargas eléctricas. Contrate a un electricista calificado para que controle el tomacorriente y el circuito eléctrico para asegurarse que el enchufe está correctamente conectado a tierra.** Esto evitará riesgos de descargas y asegurará la estabilidad durante el funcionamiento.
- **La secadora siempre debe estar enchufada a su tomacorriente individual, con la clasificación de tensión correspondiente a la placa de datos de servicio.** Esto proporciona el mejor desempeño y previene a la vez sobrecarga de los circuitos de cableado del hogar, lo que podría producir un incendio debido a los cables sobrecalentados.
- **Nunca desenchufe su secadora empujando el cable de corriente. Siempre tome su enchufe firmemente y empuje el mismo hacia fuera para retirarlo.** El cable de corriente se puede cortar debido a cualquier movimiento de su parte central, resultando en una descarga eléctrica.
- **Repáre o reemplace de inmediato todos los cables de corriente pelados o con cualquier tipo de daño. No use un cable con cortaduras o abrasión sobre su extensión o extremos.** Este cable de corriente se puede fundir, creando descargas eléctricas y/o riesgo de incendio.
- **Al instalar o cambiar de lugar la secadora, evite todo tipo de cortes u otros daños en el cable de corriente.** Esto evitará heridas o daños debido a incendios o descargas eléctricas sobre la secadora.

**GUARDE ESTAS INSTRUCCIONES**

# PIEZAS Y CARACTERÍSTICAS

## CARACTERÍSTICAS ESPECIALES

### 1 PANEL DE CONTROL FÁCIL PARA USAR

Gire la perilla selectora de ciclos al ciclo de secado deseado. Añada los ajustes de ciclo o programe las opciones con el toque de un botón.

### 2 PUERTA REVERSIBLE DE FÁCIL ACCESO

La amplia puerta provee acceso para carga y descarga. Se puede invertir el sentido de la puerta para adaptarlo al lugar de la instalación.

### 3 TAMBOR DE ACERO INOXIDABLE DE CAPACIDAD SUPERIOR ILUMINADO

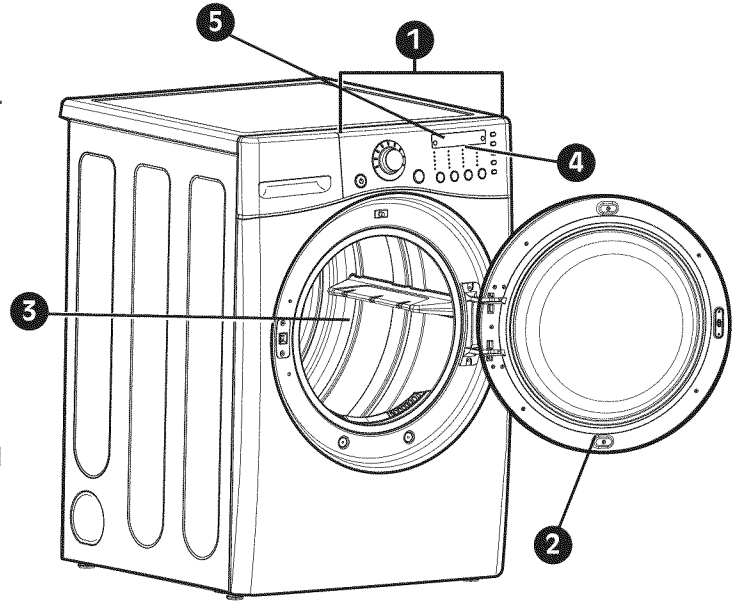
El tambor de acero inoxidable de gran capacidad ofrece durabilidad superior. El tambor está equipado con una luz amarilla que se ilumina al abrir la puerta de la secadora y se apaga cuando se cierra.

### 4 FUNCIONES DE VAPOR ÚTILES

La nueva tecnología de vapor de LG le permite inyectar las telas con un chorro giratorio de vapor caliente para refrescar las prendas, reducir la estática y facilitar el planchado. Simplemente seleccione el ciclo STEAMFRESH™ o agregue la opción Steam (vapor) a los ciclos seleccionados.

### 5 INDICADOR DEL SISTEMA DE SENSOR DE BLOQUEO DE CONDUCTO FLOW SENSE™

El sistema de sensor de bloqueo de conducto FlowSense™ detecta y lo alerta sobre bloqueos y la tubería, lo cual reduce el flujo de escape de la secadora. Esto puede mejorar el funcionamiento y ayudar a minimizar el número de llamadas al servicio técnico, ahorrándole dinero.



# PIEZAS Y CARACTERÍSTICAS

## PIEZAS Y COMPONENTES CLAVE

Además de las características y componentes descritos en la sección de *Características especiales*, hay varios componentes importantes adicionales a los cuales se hace referencia en este manual.

### 1 FILTRO DE PELUSA MONTADO AL FRENTE

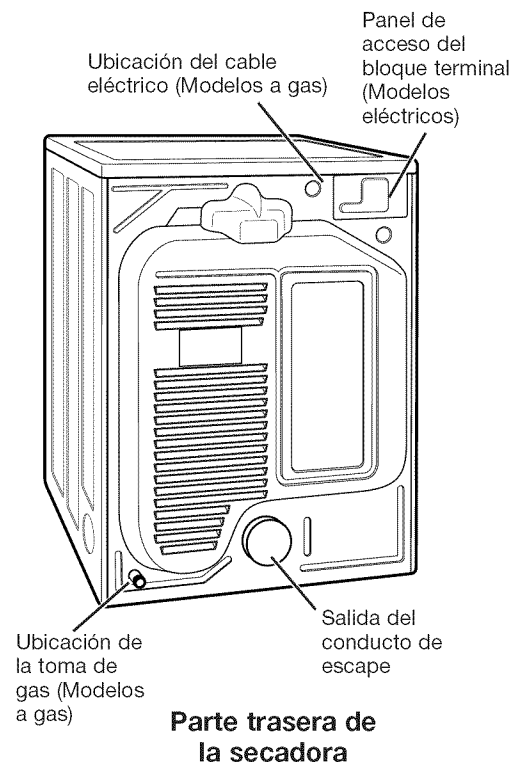
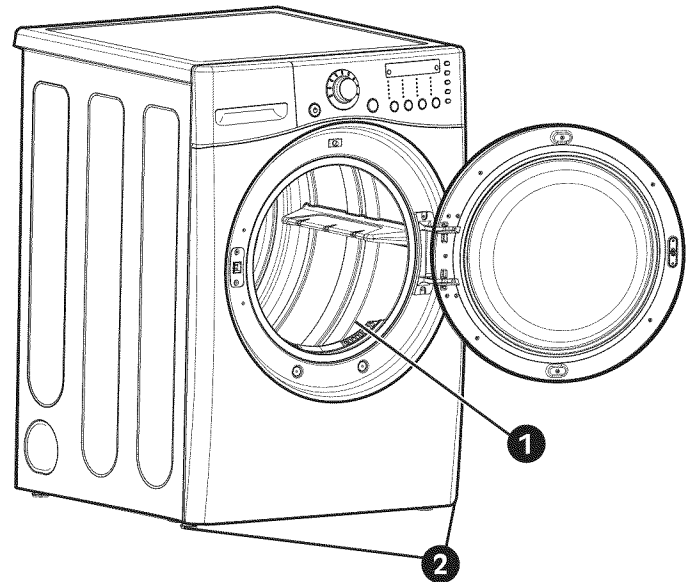
El filtro de pelusa montado al frente permite un fácil acceso y limpieza después de cada carga.

### 2 PATAS NIVELADORAS

Cuatro patas niveladoras (dos en la parte frontal y dos en la trasera) ajustables para mejorar la estabilidad de la secadora en pisos desnivelados.

### 3 ESTANTE DE SECADO

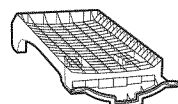
Use el estante de secado con la opción de ciclo RACK DRY (SECADO EN PARRILLA). El estante de secado permite colocar los artículos como sacos, prendas delicadas, calzado deportivo, en una posición horizontal para secarlos.



### Accesorios incluidos

3

SECADO EN PARRILLA



# INSTRUCCIONES PARA LA INSTALACIÓN

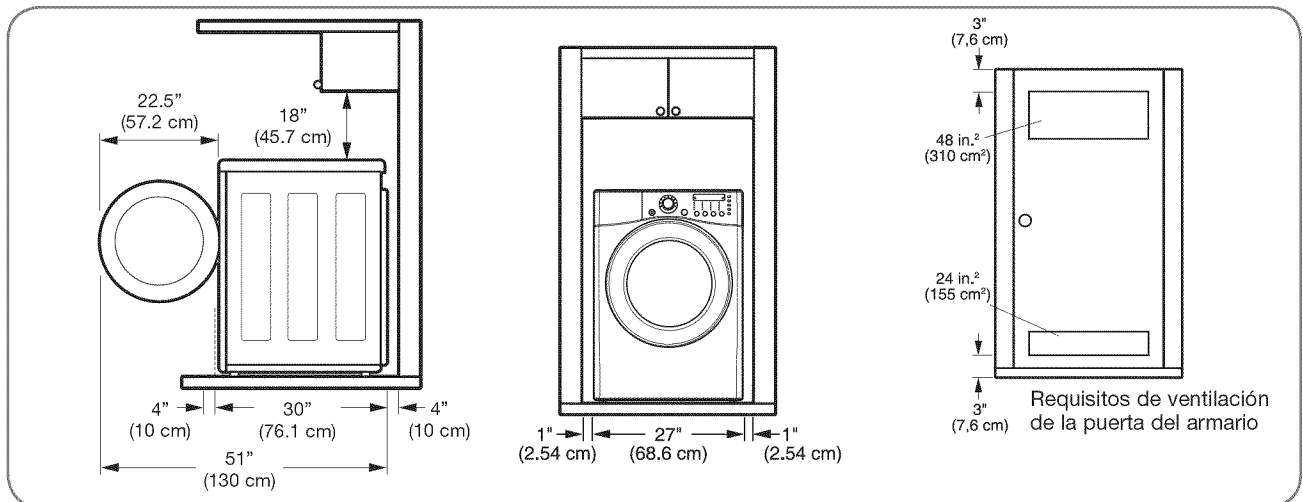
## IMPORTANTE: ¡Lea todas las instrucciones de instalación completamente antes de instalar y hacer funcionar su secadora!

Es importante que revise todo este manual antes de instalar y usar su secadora. Se proporcionan instrucciones detalladas pertinentes a las conexiones eléctricas, de gas y los requisitos de escape en las siguientes páginas.

## ESCOJA EL LUGAR ADECUADO

- Almacene e instale la secadora en un lugar no expuesto a temperaturas inferiores a las de congelación ni a la intemperie.
- escoja una ubicación con un piso rígido y nivelado.
- Si va a instalar la secadora en el garaje, colóquela a una altura mínima de 18 pulgadas (46 cm) por encima del piso.
- Conecte la secadora adecuadamente a tierra según todos los códigos y las regulaciones vigentes.
- Para reducir el riesgo de descarga eléctrica, no instale la secadora en sitios húmedos ni mojados.
- Si instala la secadora en una vivienda móvil o prefabricada, por favor consulte la sección de *Requisitos especiales para viviendas móviles o prefabricadas*.

## ESPACIOS DE INSTALACIÓN



- La mayoría de instalaciones requieren un espacio mínimo de 5 1/2 pulgadas (14 cm) detrás de la secadora para la instalación del conducto de escape.
- Deje espacios mínimos de por lo menos 1 pulgada (2,5 cm) a los lados y parte trasera para minimizar la vibración y el ruido.
- Se recomienda disponer de espacio adicional para la instalación y el mantenimiento.
- No olvidar prever espacio para las molduras de pared, puerta o piso que podrían aumentar los espacios de instalación requeridos.
- Deje por lo menos 24 pulgadas (61 cm) al frente de la secadora para abrir la puerta.

Instrucciones adicionales para las instalaciones en armarios:

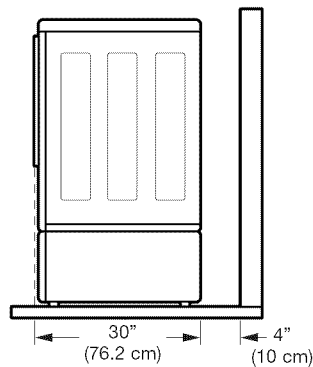
- La puerta del armario debe disponer de flujo de aire suficiente. Consulte el diagrama indicado más arriba para obtener los requisitos mínimos de abertura para ventilación. También es aceptable una puerta tipo persiana.
- Asegúrese que se dispone de por lo menos 18 pulgadas (46 cm) de espacio de instalación sobre la secadora.

# INSTRUCCIONES PARA LA INSTALACIÓN

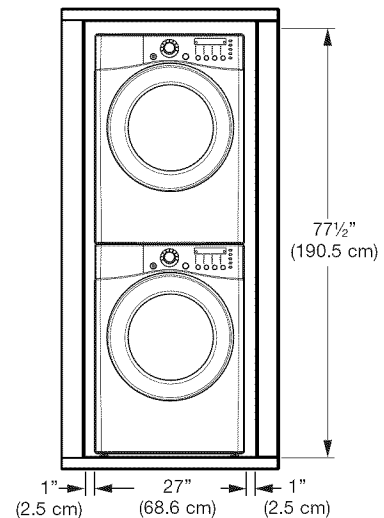
## INSTALACIONES CON LA BASE PEDESTAL O KIT DE APILADO OPCIONALES

**IMPORTANTE:** Si está instalando su secadora con una base de pedestal o un kit de apilado opcionales, consulte la sección de *Accesorios opcionales* incluida en este manual o las instrucciones de su pedestal o kit de apilado antes de continuar con la instalación.

Dimensiones requeridas para la instalación con pedestal

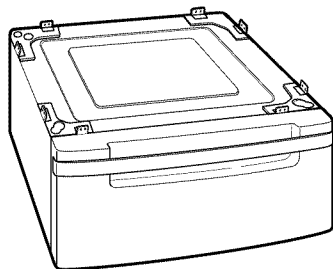


Dimensiones requeridas para la instalación con el kit de apilado

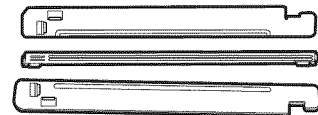


## ACCESORIOS OPCIONALES

Para estos y otros productos LG, llame a su distribuidor LG local, o visite nuestro sitio Web en [us.lge.com](http://us.lge.com).



*Pedestal (Adquirido por separado)*



*Kit de apilado (Adquirido por separado)*

# INSTRUCCIONES PARA LA INSTALACIÓN

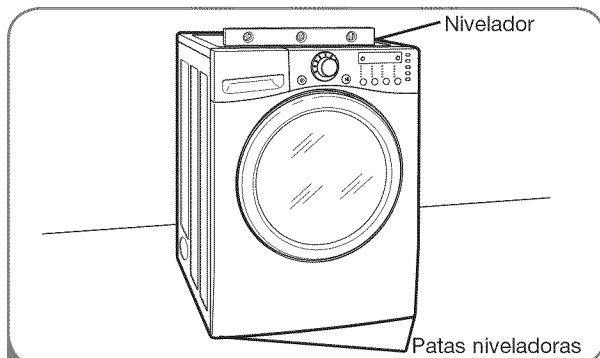
## NIVELACIÓN DE LA SECADORA

### ⚠ ADVERTENCIA

- Use guantes durante la instalación.
- Si no se cumple con esta advertencia se podrán producir heridas.

Para asegurar que la secadora brinde un desempeño óptimo de secado, debe estar nivelada. Para minimizar la vibración, el ruido y movimiento no deseados, el piso deberá ser una superficie perfectamente nivelada y sólida.

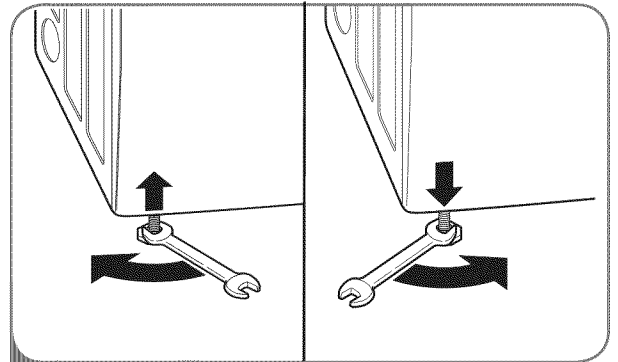
**NOTA:** Fije las patas niveladoras solo en la medida necesaria para nivelar la secadora. La extensión de las patas niveladoras más de lo necesario puede causar vibración de la secadora.



- 1 Coloque la secadora en la posición final. Coloque un nivelador sobre la secadora.

- Las 4 patas niveladoras deberán apoyarse firmemente en el piso. Empuje suavemente las esquinas superiores de la secadora para asegurarse de que su secadora no se mece de esquina a esquina.

Si está instalando la secadora sobre el accesorio de pedestal opcional, deberá usar las patas niveladoras del **pedestal** para nivelarla. Las patas niveladoras de la secadora deberán estar completamente retraídas.

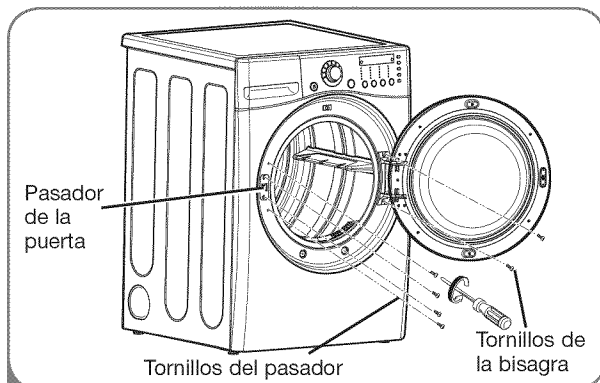


- 2 Use una llave de tuercas ajustable para girar las patas niveladoras. Gire en la dirección de las manecillas del reloj para levantar la secadora o en dirección contraria para bajarla. Suba o baje las patas niveladoras hasta que la secadora esté nivelada de lado a lado y de adelante hacia atrás.

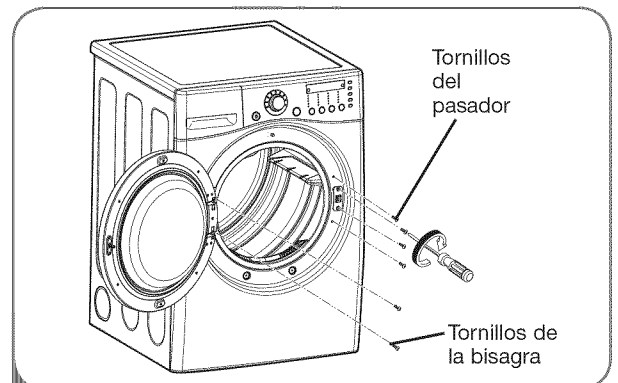
Asegúrese de que las 4 patas niveladoras se encuentran haciendo contacto firme con el piso.

## CÓMO INVERTIR EL SENTIDO DE LA PUERTA

Se puede invertir el sentido de la puerta para que se adapte a su lugar de instalación.



- 1 Abra la puerta de la secadora. Utilizando un destornillador Phillips, quite los 4 tornillos que aseguran la bisagra de la puerta a la abertura de la puerta de la secadora. Quite los 6 tornillos del lado del pasador de la abertura de la puerta de la secadora, y quite el pasador.



- 2 Dé vuelta a la puerta de modo que se invierta la bisagra, y vuelva a colocar la puerta usando los dos tornillos que quitó anteriormente. Reinstale el pasador de la puerta y los cuatro tornillos. Pruebe el movimiento de la puerta asegurándose de que se mueve libremente y se asegura correctamente.



# INSTRUCCIONES PARA LA INSTALACIÓN

## CÓMO CAMBIAR LA UBICACIÓN DEL CONDUCTO DE VENTILACIÓN DE LA SECADORA

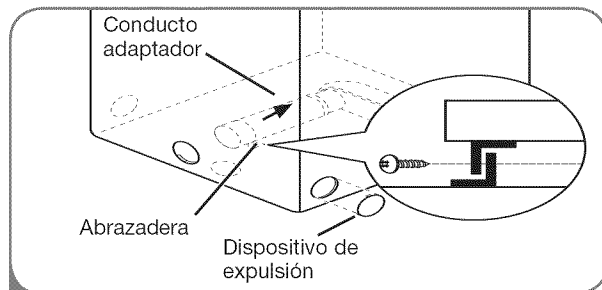
### ⚠ ADVERTENCIA

- Utilice material para ventilación de metal pesado.
- No utilice conductos de plástico o aluminio delgado.
- Nettoyer les anciens conduits avant la installation de la sécheus.
- Use guantes durante la instalación.
- Si no cumple con estas instrucciones puede resultar en muerte o incendio.

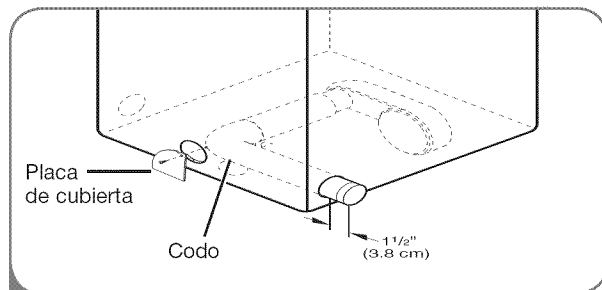
Su secadora está equipada de fábrica para ventilar en la parte trasera. También puede configurarse para ventilar en la parte inferior o lateralmente (no está disponible la ventilación del lado derecho en los modelos a gas).

Puede adquirirse el kit adaptador, número de pieza 383EEL9001B, de su distribuidor LG. Este kit contiene los componentes de conducto necesarios para cambiar la ubicación de la ventilación de la secadora.

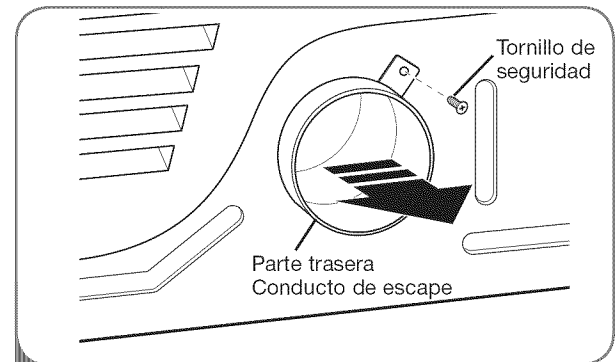
### OPCIÓN 1: Ventilación lateral



- 2 Apriete las lengüetas en el dispositivo de expulsión y retírelo cuidadosamente para obtener la ventilación adecuada (no está disponible ventilación lateral en los modelos a gas). Apriete el conducto adaptador en la carcasa del ventilador y asegure la base de la secadora como se indica.

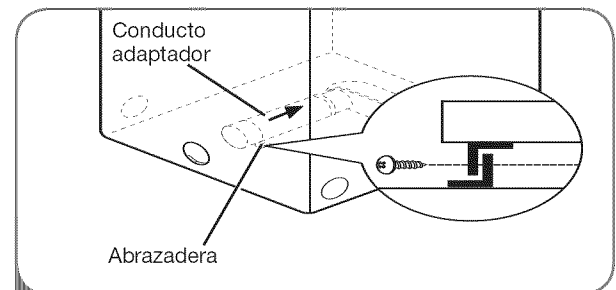


- 3 Conecte un codo de 4 pulgadas (10 cm) a la siguiente sección de conducto de 4 pulgadas (10 cm), y asegure todas las conexiones con cinta adhesiva impermeable. Asegúrese de que el extremo macho del codo apunte hacia AFUERA de la secadora. Inserte el montaje de codo/conducto a través de la abertura lateral y presiónelo en el conducto adaptador. Asegúrelo en su lugar con cinta adhesiva impermeable. Asegúrese de que el extremo macho del conducto sobresalga 1 1/2 pulgadas (3,8 cm) para conectar el resto del sistema de ventilación. Conecte la placa de cubierta a la parte trasera de la secadora con el tornillo provisto.

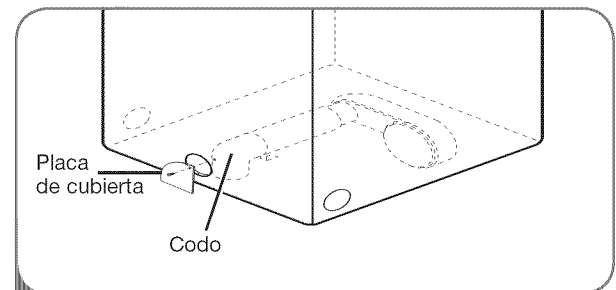


- 1 Quite el tornillo de seguridad del conducto de ventilación trasero. Tire del conducto de ventilación hacia afuera.

### OPCIÓN 2: Ventilación inferior



- 2 Apriete las lengüetas en el dispositivo de expulsión y retírelo cuidadosamente para obtener la ventilación adecuada (no está disponible ventilación lateral en los modelos a gas). Apriete el conducto adaptador en la carcasa del ventilador y asegure la base de la secadora como se indica.



- 3 Inserte el codo de 4 pulgadas (10 cm) a través de la abertura trasera y apriételo en el conducto adaptador. Asegúrese de que el extremo macho y el codo apunten hacia abajo por el orificio ubicado en la parte inferior de la secadora. Asegúrelo en su lugar con cinta adhesiva impermeable.

Conecte la placa de cubierta a la parte trasera de la secadora con el tornillo provisto.

# INSTRUCCIONES PARA LA INSTALACIÓN

## CONEXIÓN DEL CONDUCTO DE VENTILACIÓN DE LA SECADORA

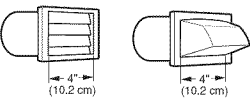
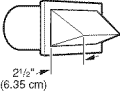
**⚠️ ADVERTENCIA** Para reducir el riesgo de incendio, descargas eléctricas o heridas al usar su electrodoméstico, siga las precauciones básicas, incluyendo lo siguiente:

- **No aplaste ni doble el sistema de conducto.** Si no se siguen estas instrucciones se podrá producir incendio o muerte.
- **No permita que el sistema de conducto se asiente sobre objetos puntiagudos ni entre en contacto con los mismos.** Si no se siguen estas instrucciones se podrá producir incendio o muerte.
- **Si conecta a un sistema de conducto existente, asegúrese de que sea adecuado y de que esté limpio antes de instalar la secadora.** Si no se siguen estas instrucciones se podrá producir incendio o muerte.
- **El sistema de ventilación debe seguir los códigos de construcción.** Si no se siguen estas instrucciones se podrá producir incendio o muerte.
- **Las secadoras de gas DEBEN ventilar hacia el exterior.** Si no se siguen estas instrucciones se podrá producir incendio o muerte.
- **Únicamente use un sistema de conducto rígido y de metal flexible de 10.2 cm (4 pulg.) dentro del gabinete de la secadora y para ventilación al exterior.** Si no se siguen estas instrucciones se podrá producir incendio o muerte.
- **Para reducir el riesgo de incendio, combustión o acumulación de gases combustibles, NO descargue el escape de la secadora en un área cerrada o no ventilada, tal como un desván, pared, cielo raso, espacio entre el cimiento y la tierra, chimenea, conducto de gas o espacios ocultos de un edificio.** Si no se siguen estas instrucciones se podrá producir incendio o muerte.
- **Para reducir el riesgo de incendio, NO descargue el escape de la secadora usando conductos de plástico ni de lámina metálica.** Si no se siguen estas instrucciones se podrá producir incendio o muerte.
- **El conducto de escape deberá tener 10.2 cm (4 pulg.) de diámetro sin obstrucciones. El conducto de escape deberá mantenerse lo más corto posible. Asegúrese de limpiar cualquier tipo de conducto antiguo antes de instalar su secadora nueva.** Si no se siguen estas instrucciones se podrá producir incendio o muerte.
- **Se recomiendan conductos rígidos o semirígidos para usar entre la secadora y la pared. En instalaciones particulares cuando es imposible realizar una conexión siguiendo las recomendaciones antes indicadas, únicamente se puede utilizar un conducto metálico de transición aprobado por UL entre la secadora y la conexión de pared. Usar este tipo de conducto afectará el tiempo de secado.** Si no se siguen estas instrucciones se podrá producir incendio o muerte.
- **NO utilice tornillos de lámina de metal ni otro tipo de aseguradores que extiendan dentro del conducto y puedan atrapar pelusa y reducir la eficiencia del sistema de escape. Asegure todas las uniones con cinta adhesiva impermeable.** Si no se siguen estas instrucciones se podrá producir incendio o muerte.
- **Para maximizar los resultados de funcionamiento, siga las limitaciones de longitud del conducto indicadas en el cuadro de arriba.** Si no se siguen estas instrucciones se podrá producir incendio o muerte.
- **No se provee el sistema de ventilación con la secadora; el mismo deberá obtenerse localmente. La tapa terminal deberá tener reguladores de tiro con bisagras para prevenir el retorno de descarga cuando no se usa la secadora.** Si no se siguen estas instrucciones se podrá producir incendio o muerte.
- **La longitud total del conducto metálico flexible no deberá superar los 2,4 m (8 ft).**
- **En Canadá, sólo se deberán usar conductos flexibles de lámina de metal, si se precisasen, específicamente identificados por el fabricante para su uso con el electrodoméstico.** En EE.UU., sólo se deberán usar conductos flexibles de lámina de metal, si se precisasen, específicamente identificados por el fabricante para su uso con el electrodoméstico y que cumplan la "Outline for Clothes Dryer Transition Duct" (Directriz para conductos de transición de secadoras), Sujeto 2158A.

# INSTRUCCIONES PARA LA INSTALACIÓN

## CONEXIÓN DEL CONDUCTO DE VENTILACIÓN DE LA SECADORA (cont.)

### Sistema de conducto

Tipo de tapa de pared	Número de Codos de 90°	Long. máx. de conducto metálico flexible de diám. 4"
Recomendado 	0	65 pies (19,8 m)
	1	55 pies (16,8 m)
	2	47 pies (13,7 m)
	3	36 pies (11,0 m)
	4	28 pies (8,5 m)
Solamente por el uso en las instalaciones de conducto cortos 	0	55 pies (16,8 m)
	1	47 pies (13,7 m)
	2	41 pies (12,5 m)
	3	30 pies (9,1 m)
	4	22 pies (6,7 m)

**NOTA:** Reste 6 pies (1,8 m) por cada codo adicional. No se recomienda usar más de cuatro codos de 90°.

### Direccionamiento y conexión del sistema de conducto de escape

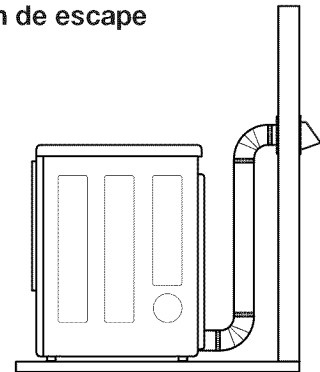
Siga las pautas indicadas más abajo para maximizar el desempeño de secado y reducir la acumulación de pelusa en el sistema de conducto.

**NOTA:** El sistema de conducto y las conexiones NO están incluidas y deben adquirirse por separado.

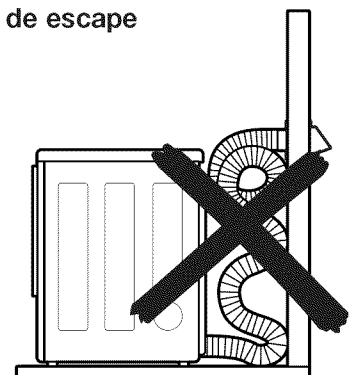
- Use un sistema de conducto metálico rígido o semirígido de 10.2 cm (4 pulg.).
- El conducto de escape **deberá** tenderse lo más corto posible.
- Use la menor cantidad de conexiones de codo que sea posible.
- El extremo macho de cada sección del conducto de escape deberá apuntar hacia afuera de la secadora.
- Use cinta adhesiva impermeable en todas las conexiones de conducto.
- Aísle el sistema de conducto que se tiende a través de áreas sin calefacción para reducir la condensación y acumulación de pelusa en las superficies del conducto.

**IMPORTANTE:** Si no se instala correctamente la ventilación de escape de la secadora, se anulará la garantía.

#### Ventilación de escape correcta



#### Ventilación de escape incorrecta



# INSTRUCCIONES PARA LA INSTALACIÓN

## CONEXIÓN DE SECADORAS A GAS

**⚠️ ADVERTENCIA** Para reducir el riesgo de incendio, descargas eléctricas o heridas al usar su electrodoméstico, siga las precauciones básicas, incluyendo lo siguiente:

- **Requisitos de suministro de gas:** Como enviado de fábrica, si configura la secadora para uso con gas natural. Puede convertirse para usar con gas LP (propano líquido). La presión de gas no debe sobrepasar la columna de agua de 13 pulgadas.
- **Un técnico calificado de mantenimiento o de la compañía de gas debe conectar la secadora al suministro de gas.** Si no se cumple con esto se podrá producir una explosión, incendio o muerte.
- **Aísle la secadora del sistema de suministro de gas cerrando su válvula de corte individual manual durante cualquier tipo de prueba de presión del suministro de gas.** Si no se cumple con esto se podrá producir una explosión, incendio o muerte.
- **Requisitos de la línea de suministro:** Su cuarto de lavado debe tener una línea rígida de suministro de gas para la secadora. En los EE. UU., se debe instalar una válvula de corte manual individual a una distancia de por lo menos 6 pies (1,8 m) de la secadora, de acuerdo con el Código Nacional de Gas Combustible ANSI Z223.1. Se debe instalar un tapón de tubería de 1/8 pulgadas NPT. Si no se cumple con esto se podrá producir una explosión, incendio o muerte.
- **Si se usa tubería rígida, la tubería rígida deberá ser de 1/2 pulgadas IPS.** Si es aceptable según los códigos y las regulaciones locales, y cuando sea aceptable según su compañía proveedora de gas, se puede usar tubería de 3/8 pulgadas aprobada, cuando las longitudes sean menores de 20 pies (6,1 m). Se debe usar tubería más larga en caso de longitudes que exceden los 20 pies (6,1 m). Si no se cumple con esto se podrá producir una explosión, incendio o muerte.
- **Conecte la secadora al tipo de gas indicado en la placa del nombre.** Si no se cumple con esto se podrá producir una explosión, incendio o muerte.
- **Para prevenir la contaminación de la válvula de gas, elimine el aire sedimento del suministro de gas antes de conectar el suministro de gas a la secadora. Antes de ajustar la conexión entre el suministro de gas y la secadora, purgue el aire hasta que se detecte olor a gas.** Si no se cumple con esto se podrá producir una explosión, incendio o muerte.
- **NO use una llama abierta para inspeccionar las fugas de gas. Use un fluido anticorrosivo para detección de fugas.** Si no se cumple con esto se podrá producir una explosión, incendio o muerte.
- **Utilice únicamente una línea de suministro de gas nueva certificada por AGA o CSA, con conectores flexibles de acero inoxidable.** Si no se cumple con esto se podrá producir una explosión, incendio o muerte.
- **Ajuste bien todas las conexiones de gas.** Si no se cumple con esto se podrá producir una explosión, incendio o muerte.
- **Use cinta de Teflón® o un compuesto para conexiones de tubería insoluble en gas de petróleo líquido (LP) en todas las roscas de tubería.** Si no se cumple con esto se podrá producir una explosión, incendio o muerte.
- **NO intente desmontar ningún componente de la secadora; cualquier desmontaje requiere de la atención y herramientas de un técnico o compañía de mantenimiento autorizado y calificado.** Si no se cumple con esto se podrá producir una explosión, incendio o muerte.

### *Requisitos eléctricos para modelos a gas únicamente*

**⚠️ ADVERTENCIA** Para reducir el riesgo de incendio, descargas eléctricas o heridas al usar su electrodoméstico, siga las precauciones básicas, incluyendo lo siguiente:

- **Bajo ninguna circunstancia, corte o quite la tercera pata (puesta a tierra) del cable eléctrico.** Si no se cumple con esto se podrá producir una explosión, incendio o muerte.
- **Por motivos de seguridad personal, la secadora debe estar conectada a tierra adecuadamente.** Si no se cumple con esto se podrá producir una explosión, incendio o muerte.
- **El cable eléctrico de esta secadora está equipado con un enchufe de 3 patas (conexión a tierra) que se conecta a un tomacorriente de pared de tres patas (con conexión a tierra) para minimizar la posibilidad de peligro de descarga eléctrica de este electrodoméstico.** Si no se cumple con esto se podrá producir una explosión, incendio o muerte.
- **Se debe enchufar esta secadora a un tomacorriente conectado a tierra de 120 V CA, 60 Hz protegido por un fusible o cortacircuitos de 15 amperios. También se recomienda que esta secadora cuente con un circuito eléctrico individual.** Si no se cumple con esto se podrá producir una explosión, incendio o muerte.
- **En caso de disponer de un tomacorriente de pared estándar de 2 patas, debe cambiarlo por uno de 3 patas conectado a tierra adecuadamente.** Si no se cumple con esto se podrá producir una explosión, incendio o muerte.

# INSTRUCCIONES PARA LA INSTALACIÓN

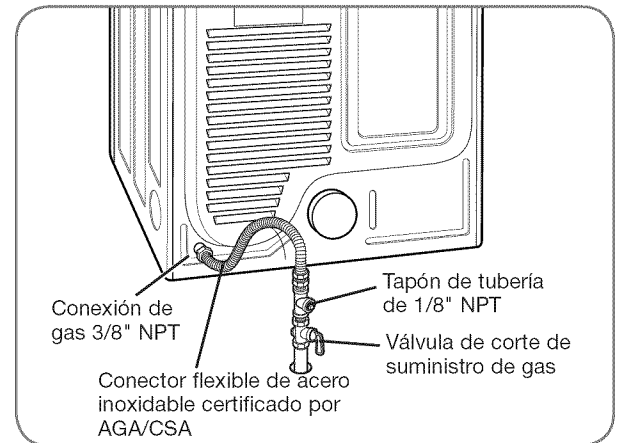
## CONEXIÓN DE SECADORAS A GAS (cont.)

**⚠ ADVERTENCIA** Para reducir el riesgo de incendio, descargas eléctricas o heridas al usar su electrodoméstico, siga las precauciones básicas, incluyendo lo siguiente:

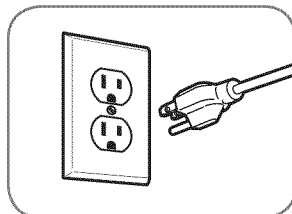
- La instalación y el mantenimiento deben proveerse por un instalador calificado, agencia de mantenimiento o compañía de gas. Si no se cumple con esto se podrá producir una explosión, incendio o muerte.
- Use únicamente un conector de acero inoxidable nuevo y un conector certificado por AGA nuevo. Si no se cumple con esto se podrá producir una explosión, incendio o muerte.
- Se debe instalar una válvula de corte de gas a una distancia mínima de 6 pies (1,8 m) de la secadora. Si no se cumple con esto se podrá producir una explosión, incendio o muerte.
- La secadora está configurada para gas natural cuando se envía de fábrica. Asegúrese de que la secadora está equipada con la boquilla de quemador correcta para el tipo de gas que se usará (gas natural o petróleo líquido, LP). Si no se cumple con esto se podrá producir una explosión, incendio o muerte.
- De ser necesario, un técnico calificado debe instalar la boquilla correcta (para el kit de boquilla LP, ordene la pieza de pedido Núm. 4948EL4002B) y se debe anotar el cambio en la secadora. Si no se cumple con esto se podrá producir una explosión, incendio o muerte.
- Se deben realizar todas las conexiones según los códigos y las regulaciones locales. Si no se cumple con esto se podrá producir una explosión, incendio o muerte.
- Las secadoras de gas **DEBEN** ventilar hacia el exterior. Si no se cumple con esto se podrá producir una explosión, incendio o muerte.

### Conexión del suministro de gas

- 1 Asegúrese de que el suministro de gas al cuarto de lavado se encuentre APAGADO. Confirme que el tipo de gas disponible en su cuarto de lavado sea el adecuado para la secadora. La secadora está lista para la conexión de gas natural de 3/8 pulgadas NPT.
- 2 Quite la tapa de envío de la conexión de gas localizada de la parte trasera de la secadora. Asegúrese de no dañar la rosca del conector de gas al quitar la tapa de envío.
- 3 Conecte la secadora al suministro de gas de su cuarto de lavado usando un conector de acero inoxidable flexible nuevo con una conexión de 3/8 pulgadas NPT.
- 4 Ajuste bien todas las conexiones entre la secadora y el suministro de gas de su cuarto de lavado. Abra el suministro de gas de su cuarto de lavado y verifique que no haya fugas en todas las conexiones de tubería (tanto interiores como exteriores) usando un fluido anticorrosivo para detección de fugas.



### Conexión eléctrica



Enchufe la secadora en un tomacorriente de **120-VAC, 60-Hz.** de tres patas conectado a tierra.

### Instalaciones en lugares de gran altitud

La clasificación BTU para esta secadora es certificación AGA para elevaciones por debajo de los 10.000 pies.

Si va a instalar su secadora a más de 10.000 pies, debe ser desclasificada por un técnico calificado o compañía de gas.

# INSTRUCCIONES PARA LA INSTALACIÓN

## CÓMO CONECTAR LAS SECADORAS ELÉCTRICAS

**⚠ADVERTENCIA:** Para ayudar a evitar incendios, descargas eléctricas, heridas graves o muerte, el cableado e instalación a tierra deben cumplir con la última edición del Código Eléctrico Nacional, ANSI/NFPA 70 y todas las regulaciones locales aplicables. Por favor comuníquese con un electricista calificado para que controle el cableado y los fusibles y así asegurar que su casa posee energía eléctrica adecuada para operar la secadora.

### *Requisitos eléctricos únicamente para modelos eléctricos*

**⚠ADVERTENCIA –** Para reducir el riesgo de incendio, descargas eléctricas o heridas al usar su electrodoméstico, siga las precauciones básicas, incluyendo lo siguiente:

- Esta secadora debe estar conectada a un sistema de cableado metálico permanente conectado a tierra, o se debe tender un conductor de conexión a tierra de equipo con los conductores de circuito y conectado a la terminal de conexión a tierra del equipo o conductor de la secadora. Si no se cumple con esto se podrá producir una explosión, incendio o muerte.
- La secadora tiene su propio bloque terminal, el cual debe conectarse a un circuito de una sola fase de 240 V CA, de 60 Hz, protegido con fusible de 30 amperios (el circuito debe tener protección de fusible a ambos terminales de la línea). **EL SUMINISTRO ELÉCTRICO DE LA SECADORA DEBERÁ SER DE LA MÁXIMA CLASIFICACIÓN DE VOLTAJE LISTADA EN LA PLACA DE CARACTERÍSTICAS. NO CONECTE LA SECADORA A UN CIRCUITO DE 110, 115 Ó 120 VOLTIOS.** Se dispone de elementos de calentamiento para instalación de campo en secadoras que deben conectarse a un suministro eléctrico de voltaje diferente al listado en la placa de datos de servicio. Si no se cumple con esto se podrá producir una explosión, incendio o muerte.
- Si un circuito de ramal a la secadora es de 15 pies (4,5 m) o menos de longitud, use alambre listado por UL (Underwriters Laboratories) Núm.-10 AWG (únicamente alambre de cobre),
- Según lo requieran las leyes locales. Si es más largo de 15 pies (4,50 m), use alambre listado por UL (Underwriters Laboratories) Núm.-8 AWG (únicamente alambre de cobre), o según lo requieran las leyes locales. Disponga de suficiente dotación de cableado, de manera de poder mover la secadora de su ubicación normal cuando sea necesario. Si no se cumple con esto se podrá producir una explosión, incendio o muerte.
- NO se provee la conexión en espiral del cable eléctrico entre la caja de pared y el bloque terminal de la secadora con la misma. El tipo de conexión en espiral y el calibre del alambre deben seguir los códigos locales y las instrucciones indicadas en las siguientes páginas. Si no se cumple con esto se podrá producir una explosión, incendio o muerte.
- Se requiere una conexión de 4 hilos en todas las instalaciones de viviendas móviles y prefabricadas, así como en todas las construcciones nuevas posteriores al 1 de enero de 1996. Se debe usar una conexión de 4 hilos si los códigos locales no permitan la conexión a tierra utilizando el alambre neutro. Si no se cumple con esto se podrá producir una explosión, incendio o muerte.

### *Requisitos eléctricos especiales para viviendas móviles o prefabricadas*

**⚠ADVERTENCIA –** Para reducir el riesgo de incendio, descargas eléctricas o heridas al usar su electrodoméstico, siga las precauciones básicas, incluyendo lo siguiente:

- Cualquier instalación en una vivienda móvil o prefabricada debe realizarse de conformidad con los Estándares de seguridad y construcción de viviendas prefabricadas, Título 24 CFR, Parte 32-80 o estándar CAN/CSA0Z240 MH y con los códigos y regulaciones locales.
- Se requiere una conexión de 4 hilos en todas las instalaciones de viviendas móviles y prefabricadas, así como en todas las construcciones nuevas posteriores al 1 de enero de 1996. Si no se cumple con esto se podrá producir una explosión, incendio o muerte.

# INSTRUCCIONES PARA LA INSTALACIÓN

## CÓMO CONECTAR LAS SECADORAS ELÉCTRICAS (cont.)

SÓLO EE.UU.

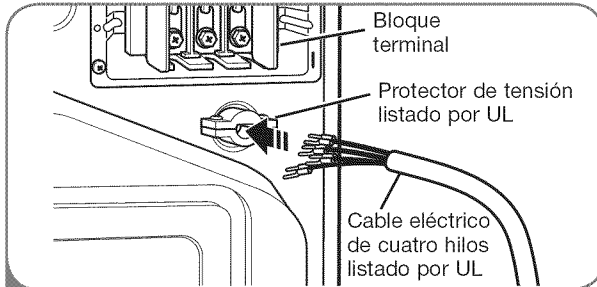
### ⚠️ ADVERTENCIA:

- Conecte el cable de suministro de corriente al bloque terminal. Cada cable se debe conectar al tornillo del mismo color. El color del cable que figura en el manual se conecta el tornillo del mismo color en el bloque. De otro modo se podrá producir un flujo de corriente corto o excesivo.
- Contacto por conductor neutro esta prohibido por: (1) nuevas instalaciones de branch-circuito, (2) las casas móviles, (3) vehiculos recreacionales, y (4) areas donde los codigos prohíbe una conexión a tierra por el conductor neutro.

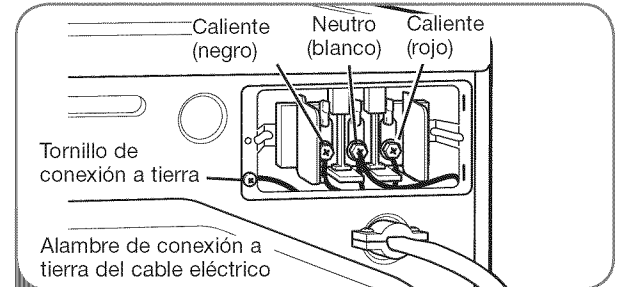


### Conexión de cuatro hilos para secadoras eléctricas: Cable eléctrico con enchufe

- Se requiere una conexión de 4 hilos en todas las instalaciones de viviendas móviles y prefabricadas, así como en todas las construcciones nuevas posteriores al 1 de enero de 1996.
- Se requiere un protector de tensión listado por UL.
- Instale un cable eléctrico de **30 amp, 240 V, listado por UL con un conductor de cobre Núm.-10 AWG como mínimo** y terminales de bucle cerrado o de horquilla con extremos doblados hacia arriba.



- 1 Quite la cubierta de acceso al bloque terminal localizado en la parte superior trasera de la secadora. Instale un protector de tensión listado por UL en el orificio de pase del cable eléctrico; luego pase un cable eléctrico conductor de cobre Núm. **10 AWG de por lo menos 4 hilos, 30A, 240V, listado por UL** por el protector de tensión.



- 2 Transfiera el alambre de conexión a tierra de la secadora detrás del tornillo de conexión a tierra de color verde al tornillo central del bloque terminal. Conecte los dos conductores calientes del cable eléctrico a los tornillos del bloque terminal exterior. Conecte el cable neutro de color blanco al tornillo del bloque terminal central. Conecte el alambre de conexión a tierra del cable eléctrico al tornillo de conexión a tierra de color verde. **AJUSTE BIEN TODOS LOS TORNILLOS.** Reinstale la cubierta de acceso del bloque terminal.

# INSTRUCCIONES PARA LA INSTALACIÓN

## CÓMO CONECTAR LAS SECADORAS ELÉCTRICAS (cont.)

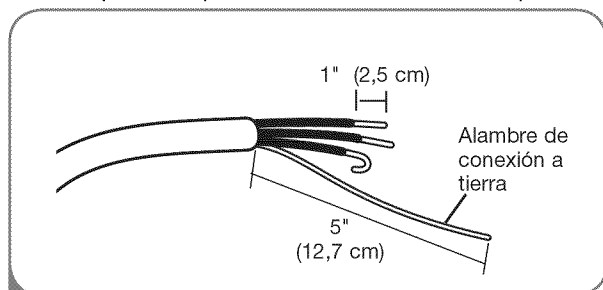
SÓLO EE.UU.

### ⚠️ ADVERTENCIA:

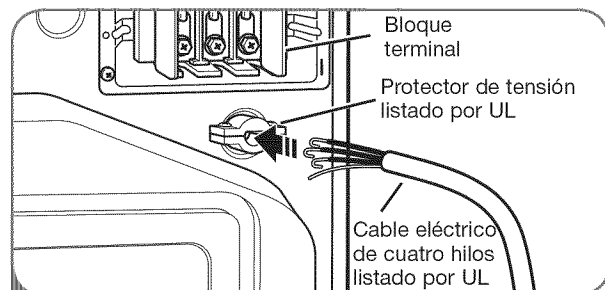
- Conecte el cable de suministro de corriente al bloque terminal. Cada cable se debe conectar al tornillo del mismo color. El color del cable que figura en el manual se conecta el tornillo del mismo color en el bloque. De otro modo se podrá producir un flujo de corriente corto o excesivo.
- Contacto por conductor neutro esta prohibido por: (1) nuevas instalaciones de branch-circuito, (2) las casas mobiles, (3) vehiculos recreacionales, y (4) areas donde los codigos prohíbe una conexión a tierra por el conductor neutro.

### Conexión de cuatro hilos para secadoras eléctricas: Conexión directa

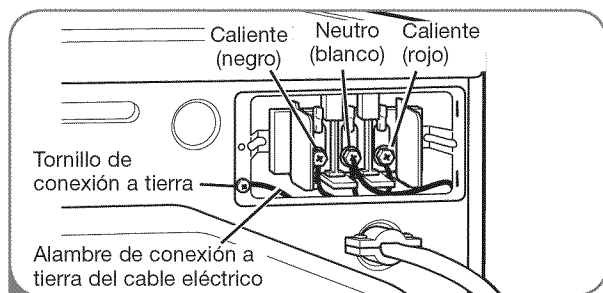
- Se requiere una conexión de 4 hilos en todas las instalaciones de viviendas móviles y prefabricadas, así como en todas las construcciones nuevas posteriores al 1 de enero de 1996.
- Se requiere un protector de tensión listado por UL.
- Instale un cable eléctrico listado por UL con **4 conductores de cobre Núm.-10 AWG como mínimo**.
- Prepare un mínimo de 5 pies (1,5 m) de longitud para poder quitar y reemplazar la secadora.



- 1 Despegue 5 pulg. (12,7 cm) de la cubierta del cable de tierra. Descubra 5 pulg. del cable de tierra. Corte 1½ pulg. (3,8 cm) de los otros 3 cables y despuega 1 pulg. (2,5 cm) del aislamiento del cada uno. Haga los finales del 3 cables en forma de gancho.



- 2 Quite la cubierta de acceso al bloque terminal localizado en la parte superior trasera de la secadora. Instale un protector de tensión listado por UL en el orificio de pase del cable eléctrico; luego pase el cable eléctrico fabricado en el Paso 1 por el protector de tensión.



- 3 Transfiera el alambre de conexión a tierra de la secadora detrás del tornillo de conexión a tierra de color verde al tornillo central del bloque terminal. Conecte los dos conductores calientes del cable eléctrico a los tornillos del bloque terminal exterior. Conecte el cable neutro

de color blanco al tornillo del bloque terminal central. Conecte el alambre de conexión a tierra del cable eléctrico al tornillo de conexión a tierra de color verde. AJUSTE BIEN TODOS LOS TORNILLOS. Reinstale la cubierta de acceso del bloque terminal.



# INSTRUCCIONES PARA LA INSTALACIÓN

## CÓMO CONECTAR LAS SECADORAS ELÉCTRICAS (cont.)

SÓLO EE.UU.

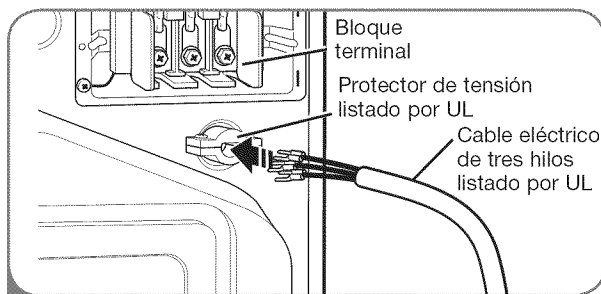
### ⚠️ ADVERTENCIA:

- Conecte el cable de suministro de corriente al bloque terminal. Cada cable se debe conectar al tornillo del mismo color. El color del cable que figura en el manual se conecta el tornillo del mismo color en el bloque. De otro modo se podrá producir un flujo de corriente corto o excesivo.
- Contacto por conductor neutro esta prohibido por: (1) nuevas instalaciones de branch-circuito, (2) las casas mobiles, (3) vehiculos recreacionales, y (4) areas donde los codigos prohíbe una conexión a tierra por el conductor neutro.

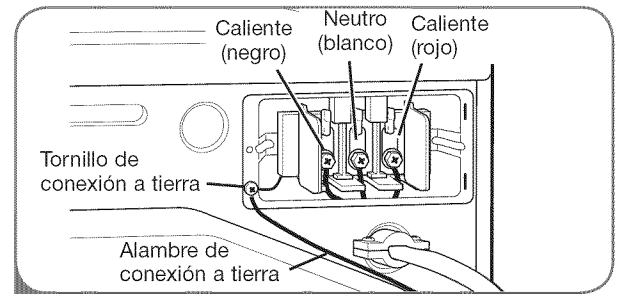


### Conexión de tres hilos para secadoras eléctricas: Cable eléctrico con enchufe

- NO se permite una conexión de 3 hilos en construcciones nuevas después del 1 de enero de 1996.
- Se requiere un protector de tensión listado por UL.
- Instale un cable eléctrico de **30 amp, 240 V, listado por UL con un conductor de cobre Núm. 10 AWG como mínimo** y terminales de bucle cerrado o de horquilla con extremos doblados hacia arriba.



- 1 Quite la cubierta de acceso al bloque terminal localizado en la parte superior trasera de la secadora. Instale un protector de tensión listado por UL en el orificio de pase del cable eléctrico; luego pase un cable eléctrico conductor de cobre Núm. **10 AWG de por lo menos 3 hilos, 30 A, 240 V, listado por UL** por el protector de tensión.



- 2 Conecte los dos conductores calientes del cable eléctrico a los tornillos del bloque terminal exterior. Conecte el cable neutro al tornillo del bloque terminal central. Conecte la conexión a tierra exterior (de ser requerido por los códigos locales) al tornillo de color verde. **AJUSTE BIEN TODOS LOS TORNILLOS.** Reinstale la cubierta de acceso del bloque terminal.

# INSTRUCCIONES PARA LA INSTALACIÓN

## CÓMO CONECTAR LAS SECADORAS ELÉCTRICAS (cont.)

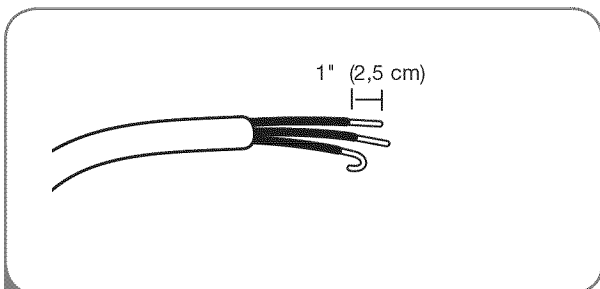
SÓLO EE.UU.

### ⚠️ ADVERTENCIA:

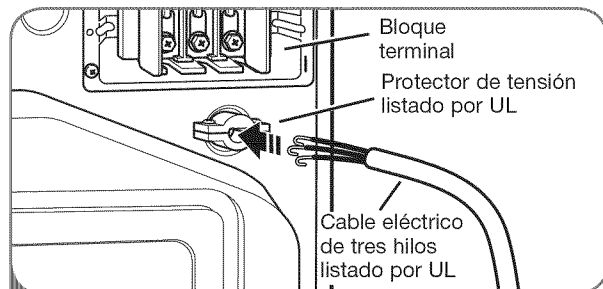
- Conecte el cable de suministro de corriente al bloque terminal. Cada cable se debe conectar al tornillo del mismo color. El color del cable que figura en el manual se conecta el tornillo del mismo color en el bloque. De otro modo se podrá producir un flujo de corriente corto o excesivo.
- Contacto por conductor neutro esta prohibido por: (1) nuevas instalaciones de branch-circuito, (2) las casas mobiles, (3) vehiculos recreacionales, y (4) areas donde los codigos prohíbe una conexión a tierra por el conductor neutro.

### Conexión de tres hilos para secadoras eléctricas: Conexión directa

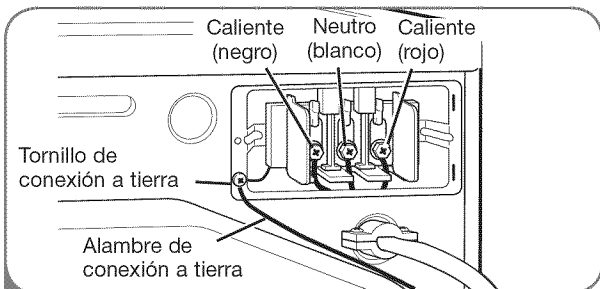
- NO se permite una conexión de 3 hilos en construcciones nuevas después del 1 de enero de 1996.
- Se requiere un protector de tensión listado por UL.
- Instale un cable eléctrico listado por UL con **3 conductores de cobre Núm.-10 AWG como mínimo.**
- Prepare un mínimo de 5 pies (1,5 m) de longitud para poder quitar y reemplazar la secadora.



- 1 Despegue 3½ pulg. (8,9 cm) de la cubierta del cable del final. Despegue 1 pulg. (2,5 cm) del aislamiento de los tres alambres. Haga los finales de los 3 cables en forma de gancho.



- 2 Quite la cubierta de acceso al bloque terminal localizado en la parte superior trasera de la secadora. Instale un protector de tensión listado por UL en el orificio de pase del cable eléctrico; luego pase el cable eléctrico fabricado en el Paso 1 por el protector de tensión.



- 3 Conecte los dos conductores calientes del cable eléctrico a los tornillos del bloque terminal exterior. Conecte el cable neutro al tornillo del bloque terminal central. Conecte la conexión a tierra exterior (de ser requerido por los códigos locales) al tornillo de color verde. AJUSTE BIEN TODOS LOS TORNILLOS. Reinstale la cubierta de acceso del bloque terminal.

# INSTRUCCIONES PARA LA INSTALACIÓN

## REQUISITOS ESPECIALES PARA VIVIENDAS MÓVILES O PREFABRICADAS

Cualquier instalación en una vivienda móvil o prefabricada debe realizarse de conformidad con los Estándares de seguridad y construcción de viviendas prefabricadas, Título 24 CFR, Parte 32-80 o estándar CAN/CSA0Z240 MH y con los códigos y regulaciones locales. Si no está seguro de si la instalación que ha propuesto cumple con estos estándares, llame a un técnico de mantenimiento e instalación para obtener ayuda.

- Una secadora de gas debería fijarse permanentemente sobre el piso.
- La conexión eléctrica de una secadora eléctrica debe ser una conexión de 4 hilos. Se provee información más detallada pertinente a la conexión eléctrica en la sección *Cómo conectar las secadoras eléctricas*.
- Para reducir el riesgo de combustión e incendio, se debe ventilar la secadora hacia el exterior.
- NO ventile la secadora debajo de una vivienda móvil o prefabricada.
- Las secadoras eléctricas deben ventilarse hacia el exterior usando el panel trasero, izquierdo, derecho o inferior.
- Las secadoras a gas deben ventilarse al exterior usando el panel trasero, izquierdo o inferior. Las secadoras a gas no deben ventilarse hacia el exterior usando el panel derecho debido a la carcasa del quemador.
- El conducto de escape de la secadora debe estar bien fijado a la estructura de la vivienda móvil o prefabricada, y el conducto de escape debe estar fabricado de un material resistente al fuego y la combustión. Se recomienda el uso de un conducto de metal rígido o flexible.
- NO conecte el conducto de escape de la secadora a ningún otro conducto, respiradero, chimenea ni a ningún otro tipo de conducto de escape.
- Asegúrese de que la secadora disponga de acceso adecuado al aire fresco del exterior para garantizar un funcionamiento adecuado. La abertura para la toma de aire fresco exterior debe ser de por lo menos 25 pulgadas<sup>2</sup> (163 cm<sup>2</sup>).
- Es importante que el espacio libre del conducto con respecto a cualquier material combustible de construcción sea de por lo menos 2 pulgadas (5 cm) y que, cuando se ventile la secadora al exterior, se pueda instalar la secadora dejando un espacio libre de 1 pulgada (2,5 cm) a los lados y la parte trasera de la secadora.
- Tenga en cuenta que los materiales de ventilación no se proveen con la secadora. Debe obtener los materiales de ventilación necesarios para una instalación adecuada.

## REVISIÓN DE INSTALACIÓN FINAL

Una vez que haya completado la instalación de la secadora y la misma se encuentre en su ubicación final, confirme que funcione correctamente realizando las siguientes pruebas.

### ***Comprobación del calentamiento de la secadora***

#### **MODELOS A GAS**

Cierre la puerta de la secadora, apriete el interruptor ON/OFF para encender la secadora, e iniciar la secadora en un ajuste de calor. Cuando inicia la secadora, el encendedor deberá encender el quemador principal.

**NOTA:** Si no se purga todo el aire de la línea de gas, el encendedor de gas podría apagarse antes de que se encienda el quemador. Si esto sucede, el encendedor volverá a intentar encender el gas después de aproximadamente dos minutos.

#### **MODELOS ELÉCTRICOS**

Cierre la puerta de la secadora, apriete el interruptor ON/OFF para encender la secadora, e iniciar la secadora en un ajuste de calor. El escape de aire deberá estar caliente después de que la secadora haya funcionado durante 3 minutos.

### ***Revisión del flujo de aire***

El funcionamiento efectivo de la secadora requiere de un flujo de aire adecuado. La corrección del flujo de aire puede medirse evaluando la presión estática. La presión estática del conducto del escape se puede medir con un manómetro, colocado en el conducto de escape aproximadamente a 2 pies (60,9 cm) de distancia de la secadora. La presión estática del conducto de escape no debería exceder las 0,6 pulgadas (1,5 cm). Se debe revisar la secadora mientras está funcionando sin carga.

### ***Revisión del nivelado***

Una vez que la secadora se encuentra en su ubicación final, vuelva a revisar que la misma se encuentre nivelada. Asegúrese de que esté nivelada de adelante hacia atrás y de lado a lado, y de que las cuatro patas niveladoras se encuentren asentadas en el piso firmemente.

# INSTRUCCIONES PARA LA INSTALACIÓN

## REVISIÓN DE FLUJO (SISTEMA DE EVALUACION DEL ESTADO DEL CONDUCTO)

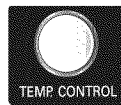
La secadora incluye FlowSense™, un sistema de sensor innovador que detecta en forma automática bloqueos y restricciones en la tubería de su secadora. Mantener la tubería sin acumulación de pelusa y libre de restricciones hace posible que la ropa se seque más rápido, reduce el uso de corriente.

**NOTA:** Cuando recién se instala la secadora, debe realizarse esta prueba para alertarlo sobre cualquier clase de problemas con el conducto de extracción de su hogar. Sin embargo, puesto que la prueba realizada durante un funcionamiento normal ofrece una información más precisa sobre el estado del conducto de extracción que la prueba de instalación, la cantidad de barras visualizadas durante las dos pruebas puede no ser la misma.


### Para activar el ciclo de evaluación del estado del conducto:

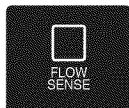
**NOTA:** La comprobación del calentamiento de la secadora debe estar ejecutado antes de continuar. Luego, complete la siguiente evaluación del estado del conducto:

- 1 Presione y sostenga los botones DAMP DRY BEEP y TEMP. CONTROL al mismo tiempo. Al sostener estos botones, presione el botón ENCENDIDO/APAGADO.

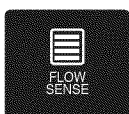


- 2 La secadora le mostrará InS en la pantalla numérica para indicar que se encuentra en el modo de evaluación del estado del conducto.

- 3  Presione START/PAUSE. La secadora evaluará durante aproximadamente 2 minutos. bloqueos o restricciones haciendo circular aire por la tubería.



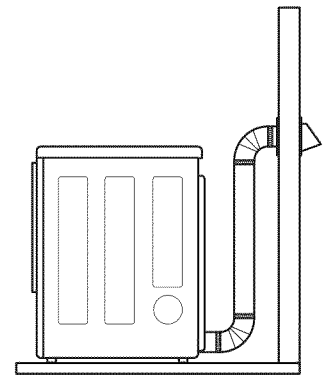
Si no aparecen barras en la pantalla, significa que la tubería está libre de bloqueos o restricciones.



Si todas las barras están encendidas, la tubería de la secadora posee un bloqueo que deberá ser eliminado de inmediato.

**IMPORTANTE:** ¡No interrumpa el ciclo de evaluación!

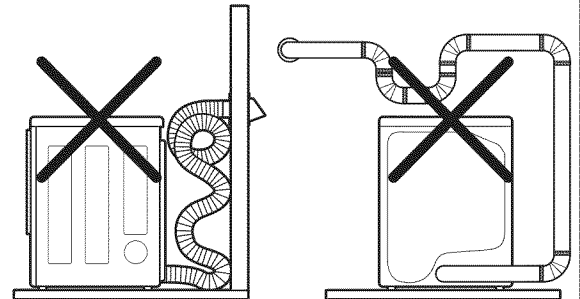
### Ventilación Correcta



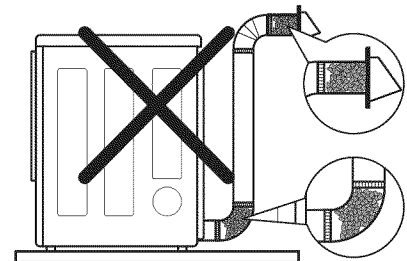
### Flujo de Aire Restringido o Bloqueado

FLOW SENSE

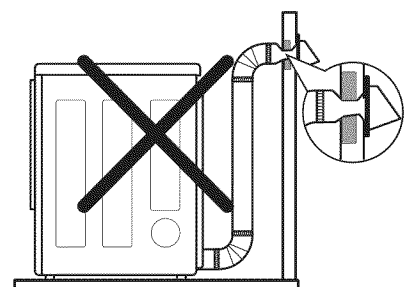
Evite funcionamientos prolongados o funcionamientos con múltiples formaciones de torceduras o codos.



Controle los bloqueos y la acumulación de pelusa.



Asegúrese que la tubería no posea cortes ni restricciones.



# CÓMO USAR

A continuación encontrará instrucciones para comenzar a usar su secadora nueva. Para más información por favor consulte las secciones específicas de este manual. **Advertencia importante:** Para reducir el riesgo de incendios, descargas eléctricas o heridas, lea este manual en su totalidad, incluyendo las Instrucciones Importantes de Seguridad, antes de operar la secadora.

## CLASIFICACIÓN DE CARGAS

### Etiquetas de mantenimiento de las telas

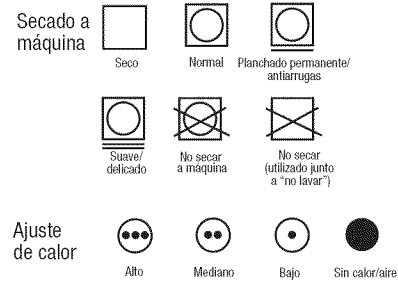
La mayoría de las prendas de vestir tienen etiquetas de mantenimiento de las telas para lograr un mantenimiento adecuado.

### Agrupamiento de prendas similares

Para obtener los mejores resultados, clasifique las prendas en cargas que puedan secarse con el mismo ciclo de secado.

Los diferentes tipos de telas tienen diferentes requisitos de cuidado, y algunas telas se secarán más rápido que otras.

### Etiquetas de cuidado de las telas



## CÓMO CARGAR LA SECADORA

**ADVERTENCIA** Para reducir el riesgo de incendio, descargas eléctricas o heridas al usar su electrodoméstico, siga las precauciones básicas, incluyendo lo siguiente:

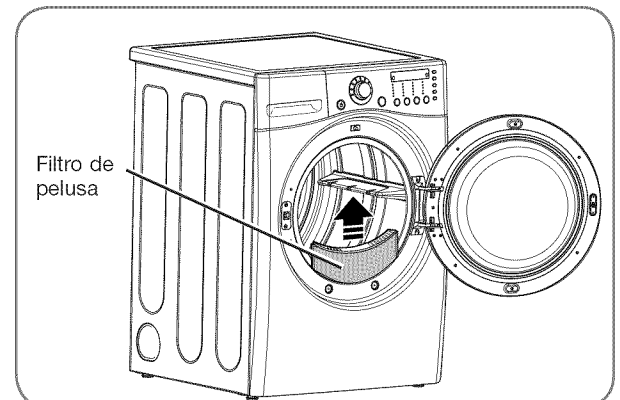
- **Revise todos los bolsillos para asegurarse de que estén vacíos. Los artículos como clips, fósforos, plumas, monedas y llaves pueden dañar su secadora o sus prendas. Los objetos inflamables tales como encendedores o fósforos podrían encenderse y provocar un incendio.** Si no se cumple con esto se podrá producir una explosión, incendio o muerte.
- **Nunca seque prendas que hayan sido expuestas a aceite, gasolina u otras sustancias inflamables. Lavar las prendas no eliminará completamente los residuos de aceite.** Si no se cumple con esto se podrá producir una explosión, incendio o muerte.
- Combine prendas grandes y pequeñas en una carga.
- Las prendas húmedas se extenderán mientras se secan. No sobrecargue la secadora; las prendas necesitan de espacio para girar y secar adecuadamente.
- Cierre las cremalleras, ganchos y cordones para prevenir que estos artículos se enganchen o enreden en otras prendas.

## REVISE EL FILTRO DE PELUSA ANTES DE CADA USO

Asegúrese siempre de que el filtro de pelusa esté limpio antes de iniciar una carga nueva; un filtro de pelusa bloqueado incrementará los tiempos de secado.

Para limpiarlo, tire del filtro de pelusa verticalmente y, con los dedos, enrolle cualquier pelusa para retirarla del filtro. No enjuague ni lave el filtro para eliminar la pelusa. Empuje el filtro de pelusa firmemente en su lugar. Para información adicional, vea la sección "Instrucciones del mantenimiento para el usuario".

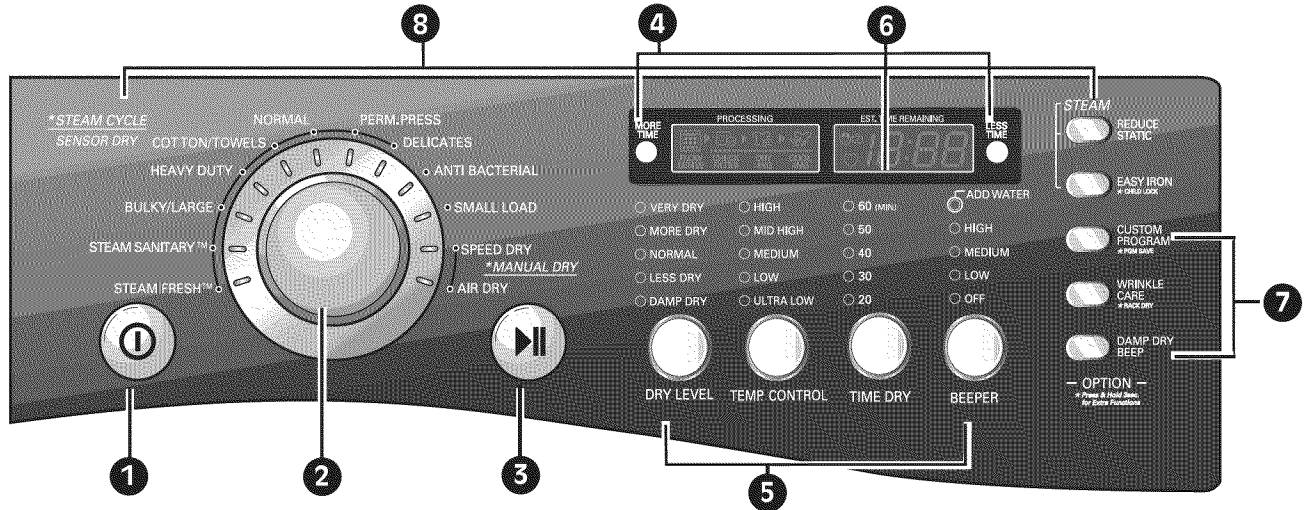
Asegúrese siempre de que el filtro de pelusa esté instalado adecuadamente antes de poner en funcionamiento la secadora. Hacer funcionar la secadora sin o con un filtro de pelusa suelto podría dañar la secadora y los artículos en el interior de la misma.



# CÓMO USAR

## CARACTERÍSTICAS DEL PANEL DE CONTROL

A continuación encontrará instrucciones para comenzar a usar su secadora nueva. Para más información por favor consulte las secciones específicas de este manual. **Advertencia importante: Para reducir el riesgo de incendios, descargas eléctricas o heridas, lea este manual en su totalidad, incluyendo las Instrucciones Importantes de Seguridad, antes de operar la secadora.**



### 1 BOTÓN DE MARCHA/APAGADO (ON/OFF)

Apriete el botón para encender la secadora. Apriete nuevamente para apagar la secadora.

**NOTA:** Apretar el botón de MARCHA/APAGADO durante un ciclo cancelará ese ciclo y borrará cualquier ajuste de carga.

### 2 PERILLA SELECTORA DE CICLOS

Gire esta perilla para seleccionar el ciclo deseado. Una vez que se haya seleccionado el ciclo deseado, los preajustes estándar se mostrarán en la pantalla. En los ciclos de secado manual (MANUAL DRY) se pueden programar estos ajustes usando los botones de ajuste de ciclos en cualquier momento antes de iniciar el ciclo.

### 3 BOTÓN DE INICIO/PAUSA (START/PAUSE)

Apriete este botón para iniciar el ciclo seleccionado. Si la secadora está funcionando, utilice este botón para hacer una PAUSA en el ciclo, sin perder los ajustes actuales.

**NOTA:** Si no aprieta el botón INICIO/PAUSA para detener un ciclo en 4 minutos, la secadora se apagará automáticamente.

### 4 BOTONES DE MÁS TIEMPO/MENOS TIEMPO (MORE TIME/LESS TIME)

Use estos botones con los ciclos de secado manual (MANUAL DRY), de secado Tiempo (TIME DRY), y de STEAMFRESH™ (Vapor fresco), y con las opciones REDUCE STATIC (reducción estática) y EASY IRON (planchado fácil) para programar el tiempo de secado. Apriete el botón MORE TIME para aumentar el tiempo del ciclo manual seleccionado en intervalos de un minuto; apriete LESS TIME para disminuir el tiempo del ciclo en intervalos de un minuto.

### 5 BOTONES DE AJUSTE DE CICLOS

Utilice estos botones para seleccionar los ajustes de ciclo deseados para el ciclo seleccionado. Los ajustes actuales se muestran en la pantalla. Apriete el botón para ver esa opción y seleccionar otros ajustes.

### 6 LA PANTALLA DE HORA Y ESTADO

La pantalla muestra los ajustes, el tiempo restante estimado, las opciones y los mensajes de estado correspondientes a su secadora.

### 7 BOTONES DE OPCIONES

Los botones de OPCIONES le permiten seleccionar opciones de ciclo adicionales. Ciertos botones también le permitirán activar funciones especiales al apretar y mantener apretado el botón durante 3 segundos.

Para obtener información detallada sobre las opciones individuales, consulte las siguientes páginas.

### 8 FUNCIONES ÚTILES CON VAPOR

La nueva tecnología con vapor de LG le permite inyectar a la ropa un chorro de vapor caliente en forma de remolino, el cual permite refrescar la misma, reducir la estática y facilitar el planchado. Simplemente seleccione el ciclo VAPOR FRESCO (STEAMFRESH™) o puede agregar la opción VAPOR (STEAM) a ciclos seleccionados. Para obtener información detallada sobre opciones individuales, lea las siguientes páginas.

# CÓMO USAR

## GUÍA DE CICLOS

La guía de ciclos indicada más abajo muestra las opciones y tipos de telas recomendadas para cada ciclo.

Tipo	Ciclo	Tipo de tela	Nivel de secado	Temperatura	Tiempo en min.	Más tiempo/ Menos tiempo	Cuidado de arrugas	Secado húmedo	Reducción estática	Planchado fácil	
<b>CICLO DE VAPOR / SECADO CON SENSOR</b>	<b>STEAM FRESH™</b>	Edredó, camisas, pantalones (excepto telas especialmente delicadas)	Off (apagado)	MEDIANO ALTO	20 Ajustable	●	●		●	●	
	<b>STEAM SANITARY™</b>	Camisas, Ropa de cama, Ropa de niños	Off (apagado)	ALTO	39		●				
	<b>HEAVY DUTY (MUY POTENTE)</b>	Jeans, prendas pesadas	Normal	ALTO	54			●	●	●	●
			Ajustable								
	<b>COTTON/TOWELS (ALGODÓN/TOALLAS)</b>	Tela de jean, toallas, algodones pesados	Normal	MEDIANO ALTO	55			●	●	●	●
			Ajustable								
	<b>NORMAL</b>	Ropa de trabajo, pana, etc.	Normal	MEDIANO	41			●	●	●	●
			Ajustable								
	<b>PERM. PRESS (PRENSAR PERM.)</b>	Planchado permanente, Productos sintéticos	Normal	BAJO	36			●	●	●	●
			Ajustable								
<b>DELICATES (DELICADO)</b>	Lencería, sábanas, blusas	Normal	BAJO	32			●	●	●	●	
		Ajustable									
<b>BULKY / LARGE</b>	Ederdones almohadas camisas	Normal	MEDIANO	55					●		
		Ajustable									
<b>SMALL LOAD (Cargas pequeñas)</b>	Sólo Normal & Algodón/ Toallas fábrica tipo (Máx. 3lb)	Normal	ALTO	30			●				
		Ajustable									
<b>ANTI BACTERIAL (ANTI BACTERIANO)</b>	No use este ciclo con telas delicadas.	Muy seco	ALTO	70			●				
<b>SECADO MANUAL</b>	<b>SPEED DRY (SECADO RÁPIDO)</b>	Para cargas pequeñas con tiempos cortos de secado	Off (apagado)	ALTO	25	●	●		●	●	
			Ajustable	Ajustable							
	<b>AIR DRY (SECADO CON AIRE)</b>	Para ítems que requieren un secado libre de calor como plásticos o goma	Off (apagado)	Sin calor	30	●	●				
					Ajustable						
<b>TIME DRY (SECADO DE TIEMPO)</b>	Para secado general; el tiempo, la temperatura, y las opciones pueden ajustarse manualmente	Off (apagado)	ALTO	40	●	●			●	●	
			Ajustable	Ajustable							
<b>RACK DRY (SECADO EN PARRILLA)</b>	Lana, sweaters, seda, lencería	Off (apagado)	Off(apagado) ULTRA BAJO BAJO	50 Ajustable	●						

### Ciclos de SECADO CON SENSOR (SENSOR DRY)

Los ciclos de SECADO CON SENSOR utilizan el sistema exclusivo de sensor doble de LG para detectar y comparar el nivel de humedad en las prendas y en el aire, y programar el tiempo de secado del modo necesario para asegurar resultados superiores. La secadora ajusta automáticamente el nivel de sequedad y temperatura del ajuste recomendado para cada ciclo. El tiempo restante estimado se mostrará en la pantalla.

### Ciclos de SECADO MANUAL (MANUAL DRY)

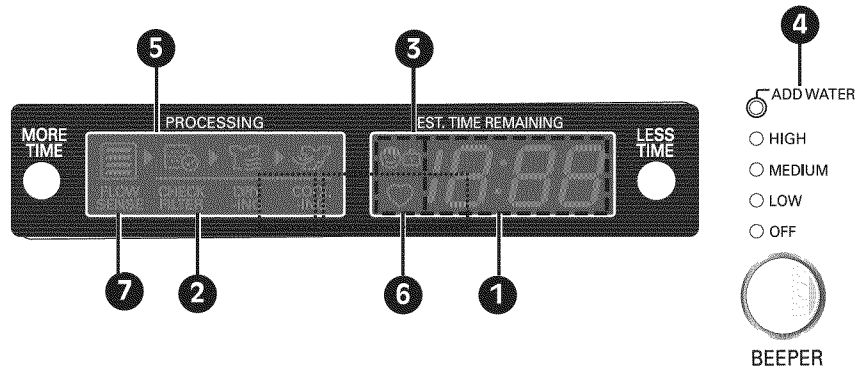
Use los ciclos de SECADO MANUAL para seleccionar una cantidad específica de tiempo y temperatura de secado. Cuando se selecciona el ciclo de SECADO MANUAL, la pantalla de TIEMPO RESTANTE ESTIMADO (ESTIMATED TIME REMAINING) muestra el tiempo restante real en su ciclo. Puede cambiar el tiempo real en el ciclo apretando MAS TIEMPO (MORE TIME) o MENOS TIEMPO (LESS TIME).

**NOTA:** Para proteger sus prendas, no todos los niveles, temperatura u opciones están disponibles con cada ciclo.

# CÓMO USAR

## LA PANTALLA

La pantalla muestra los ajustes, el tiempo restante estimado, las opciones y los mensajes de estado correspondientes a su secadora. Cuando se gira el secador, la luz en la exhibición iluminará.



### 1 TIEMPO RESTANTE ESTIMADO (ESTIMATED TIME REMAINING)

Cuando se presiona el botón INICIO/PAUSA (START/PAUSE), la pantalla indicará el tiempo restante estimado para el ciclo de secado seleccionado.

**NOTA:** El tiempo de ciclo en los ciclos SECADO CON SENSOR (SENSOR DRY) podrían fluctuar a medida que la secadora vuelve a calcular el tiempo de secado para obtener resultados óptimos.

### 2 INDICADOR DE FINALIZACIÓN DE CICLO CON RECORDATORIO DE CONTROL DE FILTRO

Esta opción de la pantalla muestra qué etapa del ciclo de secado se está llevando a cabo: CHECK FILTER (control del filtro), DRYING (secado), COOLING (enfriamiento).

### 3 INDICADOR DE CERRADURA A PRUEBA DE NIÑOS (CHILD LOCK)

Cuando se ha fijado el seguro infantil, aparecerá el indicador de seguro infantil y se desactivarán todos los botones excepto el botón de MARCHA/APAGADO (ON/OFF). Esto previene que los niños cambien los ajustes mientras la secadora se encuentra en funcionamiento.

### 4 INDICADOR DE AÑADIR AGUA

Si el alimentador de vapor no tiene suficiente agua, se visualizará el correspondiente mensaje de error. Rellene el alimentador y reinicie el ciclo.

### 5 RECORDATORIO DE REVISIÓN DE FILTRO (CHECK FILTER REMINDER)

La pantalla mostrará CHECK FILTER cuando se ha encendido la secadora como un recordatorio para revisar el filtro. Se apaga cuando se aprieta el botón START/PAUSE.

### 6 PROGRAMA PERSONALIZADO (CUSTOM PROGRAM)

Si usted tiene una combinación especial de configuraciones que utiliza con frecuencia, puede guardarlas como CUSTOM PROGRAM.

### 7 INDICADOR DEL SISTEMA DE SENSOR DE BLOQUEO DE CONDUCTO FLOW SENSE™

El sistema de sensor de bloqueo de conducto FlowSense™ detecta y lo alerta sobre bloqueos y la tubería, lo cual reduce el flujo de escape de la secadora. Esto puede mejorar el funcionamiento y ayudar a minimizar el número de llamadas al servicio técnico, ahorrándole dinero.

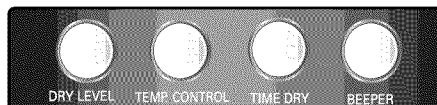


## FUNCIONAMIENTO DE LA SECADORA

## BOTONES DE AJUSTE DE CICLOS

Una vez que ha cargado la secadora:

- 1  Apriete el botón MARCHA/APAGADO (ON/OFF) para encender la secadora. Las luces alrededor de la perilla selectora de ciclos se iluminarán.
- 2  Gire la perilla selectora al ciclo deseado. La pantalla mostrará los ajustes preseleccionados de NIVEL DE SECADO (DRY LEVEL), TEMPERATURA (TEMPERATURE), TIEMPO (TIME), y OPCION (OPTION) para ese ciclo.
- 3 Si desea cambiar los ajustes para ese ciclo, apriete el(los) botón(es) para mostrar ajustes adicionales para esa opción. Apriete el botón nuevamente para alternar entre los ajustes hasta que se haya resaltado el deseado.



**NOTA:** Para proteger sus prendas, no todos los niveles de secado, temperatura u opción están disponibles en todos los ciclos.

- 4  Seleccione opciones de ciclo adicionales, tales como BIP DE SECADO HÚMEDO (DAMP DRY BEEP), CUIDADO DE ARRUGAS (WRINKLE CARE), y SECADO EN PARRILLA (RACK DRY) presionando el botón para dicha opción.
- 5  Apriete el botón de INICIO/PAUSA (START/PAUSE) para iniciar el ciclo. La pantalla cambiará, y la secadora mostrará el SECADO CON SENSOR (SENSOR DRY) estimado o el tiempo programado de SECADO MANUAL (MANUAL DRY) restante e iniciará el giro. Para detener el ciclo en cualquier momento, apriete PAUSA (PAUSE). Para continuar con el ciclo, desde el punto en que se detuvo, apriete INICIO/PAUSA (START/PAUSE) nuevamente.

**NOTA:** Si se ha detenido la secadora por más de 8 minutos, la secadora se apagará automáticamente.

- 6 Cuando se ha terminado la carga, sonará la alarma (de haberse programado). Si ha programado la opción de CUIDADO DE ARRUGAS (WRINKLE CARE), la secadora girará la carga de manera periódica por un plazo de hasta 3 horas. Para prevenir las arrugas, retire los artículos de la Secadora inmediatamente después del término de un ciclo.
- 7 Limpie siempre el filtro de pelusa después de cada ciclo. Para limpiarlo, tire del filtro de pelusa verticalmente y, con los dedos, enrolle cualquier pelusa para retirarla del filtro. No enjuague ni lave el filtro para eliminar la pelusa. Empuje el filtro de pelusa firmemente en su lugar.

Los ciclos de SECADO CON SENSOR (SENSOR DRY) tienen ajustes preprogramados que se seleccionan automáticamente. Los ciclos de SECADO MANUAL (MANUAL DRY) tienen ajustes predeterminados, pero pueden personalizarse usando los botones de ajustes de ciclos. Apriete el botón de esa opción para ver y seleccionar otros ajustes.

**NOTA:** Para proteger las prendas, no todos los niveles de secado, temperatura u opción están disponibles en todos los ciclos. Vea la Guía de ciclos para obtener más detalles.

### NIVEL DE SECADO (DRY LEVEL)



Selecciona el nivel de sequedad para el ciclo. Apriete el botón de NIVEL DE SECADO (DRY LEVEL) varias veces para navegar por los ajustes disponibles.

- Esta opción está disponible únicamente en los ciclos de SECADO CON SENSOR (SENSOR DRY).
- La secadora ajustará el tiempo de ciclo automáticamente. Al seleccionar MUY SECO (VERY DRY) o MÁS SECO (MORE DRY) se incrementará el tiempo del ciclo, mientras que MENOS SECO (LESS DRY) o HUMEDO SECO (DAMP DRY) disminuirá el tiempo del ciclo.
- Use un ajuste MENOS SECO (LESS DRY) o HUMEDO SECO (DAMP DRY) en los artículos que desee planchar.

### CONTROL DEL TEMPERATURA (TEMP. CONTROL)



Regula el ajuste de temperatura desde ULTRA BAJO (ULTRA LOW) a ALTO (HIGH). Esto permite el cuidado preciso de sus telas y prendas. Apriete el botón CONTROL DEL TEMPERATURA (TEMP. CONTROL) varias veces para navegar por los ajustes disponibles.

### SECADO DE TIEMPO (TIME DRY)



Le permite seleccionar el tiempo de secado manualmente, de 20 a 60 minutos, en incrementos de 10 minutos. Use esta opción en cargas pequeñas o para eliminar arrugas. Use los botones de MÁS TIEMPO/MENOS TIEMPO (MORE TIME/LESS TIME) para añadir o reducir el tiempo de secado en incrementos de 1 minuto.

### ALARMA (BEEPER)



Ajusta el volumen de la alarma de finalización de ciclo o lo apaga.

# CÓMO USAR

## BOTONES DE OPCIÓN DE CICLO

Su secadora dispone de varias opciones de ciclo adicionales, las cuales personalizan los ciclos para satisfacer sus necesidades individuales. Ciertos botones de opción también incorporan una función especial (vea la siguiente página para obtener mayor información) que puede activarse apretando y manteniendo apretado ese botón de opción por 3 segundos.

### *Para añadir opciones de ciclo al ciclo:*

- 1 Encienda la secadora y gire la perilla selectora de ciclos para seleccionar el ciclo deseado.
- 2 Use los botones de programación de ciclo para fijar los ajustes para ese ciclo.
- 3 Apriete el(los) botón(es) de opción de ciclo para la opción que desea añadir. Aparecerá en la pantalla un mensaje de confirmación.
- 4 Apriete el botón inicio/pausa (START/PAUSE) para iniciar el ciclo. La secadora iniciará automáticamente.

### ***CUIDADO DE ARRUGAS (WRINKLE CARE)***



Al seleccionar esta opción, hará girar la carga periódicamente por un plazo de hasta 3 horas después del ciclo seleccionado, o hasta que se abra la puerta. Esto es de ayuda para prevenir la formación de arrugas cuando no le sea posible retirar las prendas de la secadora inmediatamente.

### ***BIP DE SECADO HÚMEDO (DAMP DRY BEEP)***



Con esta opción, la secadora hará sonar la alarma cuando la carga está 80% seca. Esta función le permite retirar el(los) artículo(s) liviano(s) que seca(n) rápidamente o que desea planchar o colgar mientras aún se encuentran húmedos.

## FUNCIONES ESPECIALES

Los botones de opción también activan las funciones especiales, incluyendo, CERRADURA A PRUEBA DE NIÑOS (CHILD LOCK), SECADO EN PARRILLA (RACK DRY). Para activar, presione y sostenga el botón marcado con la función especial durante 3 segundos.

### \* SECADO EN PARRILLA (RACK DRY)



Use el ciclo RACK DRY con artículos tales como suéteres de lana, sedas, y lencería, que se deberían secar en posición horizontal. También se puede usar RACK DRY con artículos que no deben secarse girando, tales como calzado deportivo o animales de peluche. Presione y sostenga el botón WRINKLE CARE (cuidado de arrugas) durante 3 segundos para activar o desactivar la función RACK DRY (SECADO EN PARRILLA).

**NOTA:** NUNCA use el este ciclo en combinación con un ciclo de secado giratorio.

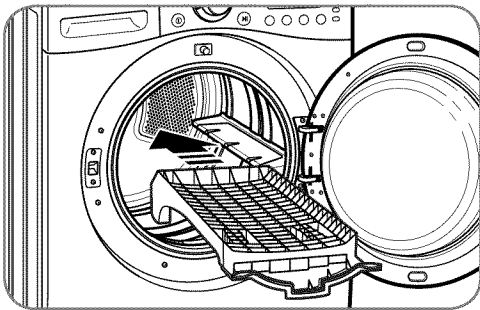
### \* CERRADURA A PRUEBA DE NIÑOS (CHILD LOCK)



Utilice esta opción para evitar un uso no deseado de la secadora o para evitar modificaciones en las configuraciones de ciclo mientras la secadora esta funcionando. Presione y sostenga los botones PLANCHADO FÁCIL (EASY IRON) al mismo tiempo durante 3 segundos para activar o desactivar la función CERRADURA A PRUEBA DE NIÑOS (CHILD LOCK). El icono de bloqueo podrá verse en la pantalla y todos los controles quedaran desactivados.

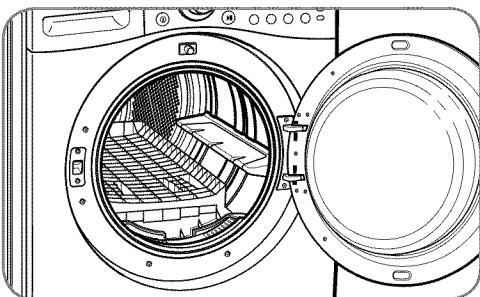
### Para instalar el estante de secado

- 1 Manteniendo abierta la puerta de la secadora, deslice el estante en el tambor de la secadora.



- 2 Asegúrese de que esté asentado uniformemente sobre el borde interior de la puerta y descansa horizontalmente sobre el interior de la secadora.

**NOTA:** Asegúrese de quitar el estante de secado después de usar el ciclo RACK DRY.



# CÓMO USAR

## PROGRAMA PERSONALIZADO

Si tiene una combinación especial de ajustes que usa con frecuencia, puede guardar estos ajustes a manera de PROGRAMA PERSONALIZADO (CUSTOM PROGRAM).



### \* Para guardar un programa personalizado:

- 1 Encienda la secadora y gire la perilla selectora de ciclos para seleccionar el ciclo deseado.
- 2 Use los botones de programación de ciclo para fijar los ajustes para ese ciclo.
- 3 Apriete el(los) botón(es) de opción de ciclo para la opción que desea añadir. Aparecerá en la pantalla un mensaje de confirmación.
- 4 Apriete y mantenga apretado el botón CUSTOM PROGRAM durante 3 segundos.

**NOTA:** Puede guardar solo un programa personalizado a la vez. Al apretar y mantener apretado el botón CUSTOM PROGRAM, reemplazará cualquier programa personalizado que haya guardado anteriormente.

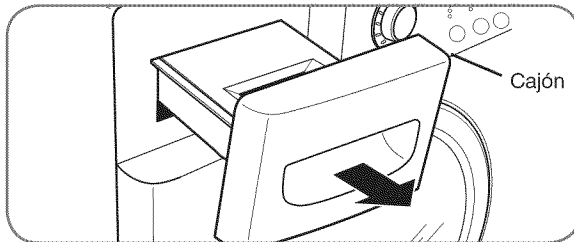
### Para recuperar un programa personalizado:

- 1 Encienda la secadora.
- 2 Apriete el botón CUSTOM PROGRAM.
- 3 Apriete el botón INICIO/PAUSA (START/PAUSE) para iniciar el ciclo.
- 3 Llene el alimentador de vapor con agua.

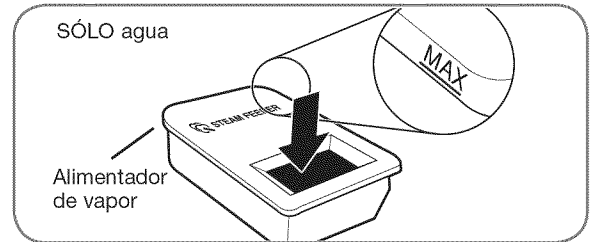
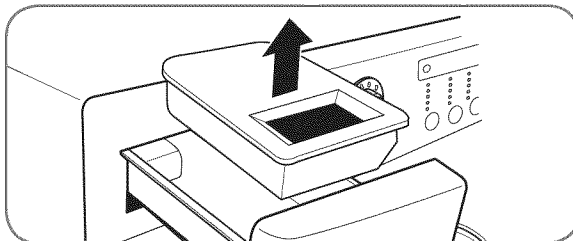
## FUNCIONES DE VAPOR

### Para llenar el alimentador de vapor

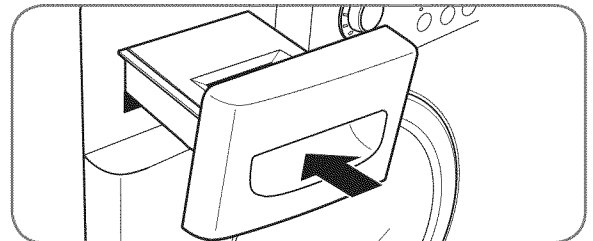
- 1 Abra el cajón.



- 2 Quite el alimentador de vapor.



- 4 Coloque el alimentador de vapor en el cajón y presione el cajón hasta que se trabe en su lugar.



### NOTAS IMPORTANTES SOBRE CICLOS DE VAPOR



Antes de usar el ciclo de vapor, debe llenarse el alimentador de vapor con agua hasta la línea MAX. Si no lo hace, la indicadora ADD WATER brillará.

Asegúrese de que el alimentador de vapor está llenado con agua y el cajón está cerrado completamente. Apague la secadora, luego vuelva a iniciar el ciclo de vapor.

- Sólo use agua. No llene el alimentador de vapor con sustancias extrañas, agentes para enjuague, o detergentes.
- Antes de mover la secadora, verifique que el alimentador de vapor esté vacío.
- No use agua destilada; el sensor de nivel de agua del generador de vapor no funcionará.
- Asegúrese de instalar el Alimentador de Vapor; si el mismo no se instala se producirán desbordes de agua.
- Limpie cualquier derrame de agua alrededor del Alimentador de Vapor y del cajón antes de encender el secador.

## ⚠ ADVERTENCIA:

- No llene el alimentador de vapor con líquidos tales como gasolina, solventes para limpieza en seco, u otras sustancias inflamables o explosivas. Emiten vapores que podrían explotar.
- No llene el alimentador de vapor con agua caliente (más de 86° F / 30° C).
- No beba agua del alimentador de vapor.

## FUNCIONES DE VAPOR (cont.)

La nueva tecnología de vapor de LG le permite inyectar las telas con un chorro giratorio de vapor caliente para refrescar las prendas, reducir la estática, y facilitar el planchado. Simplemente seleccione el ciclo STEAMFRESH™ o agregue la opción Vapor (Steam) a los ciclos seleccionados.

### **Cómo usar el ciclo STEAMFRESH™**

STEAMFRESH™ utiliza sólo el poder del vapor para rápidamente reducir arrugas y olores de las telas. Da nueva vida a las prendas arrugadas que han estado guardadas por mucho tiempo y facilita el planchado en ropa muy arrugada. STEAMFRESH™ también puede usarse para reducir los olores en las telas.

#### **NOTAS:**

- Las opciones REDUCCIÓN ESTÁTICA (REDUCE STATIC) o PLANCHADO FÁCIL (EASY IRON) también pueden usarse durante el ciclo STEAMFRESH™.
- Dependiendo de la carga (cantidad de prendas), puede modificarse el tiempo del ciclo presionando los botones MÁS TIEMPO (MORE TIME) o MENOS TIEMPO (LESS TIME). En la pantalla podrá verse 3, 5, o  $\frac{b}{g}$ . 3 significa 3 o menos prendas, 5 es para 4 o 5 prendas, y  $\frac{b}{g}$  indica una carga grande, como un edredon.

### **Para usar el ciclo STEAMFRESH™:**

- 1 Encienda la secadora y gire la perilla selectora al ciclo **STEAMFRESH™**.
- 2 Para agregar una función opcional, seleccione REDUCCIÓN ESTÁTICA (REDUCE STATIC), PLANCHADO FÁCIL (EASY IRON), o CUIDADO DE ARRUGAS (WRINKLE CARE).
- 3 Dependiendo de la carga (cantidad de prendas), puede modificarse el tiempo de vapor presionando los botones MÁS TIEMPO (MORE TIME) o MENOS TIEMPO (LESS TIME)
- 4 Presione el botón de INICIO/PAUSA (START/PAUSE) para iniciar el ciclo.

### **Para agregar VAPOR (STEAM) a un ciclo estándar:**

- 1 Encienda la secadora y gire la perilla selectora al ciclo deseado.
- 2 Utilice los botones de configuración de ciclo para ajustar las configuraciones para ese ciclo.
- 3 Presione el botón Vapor (Steam) para la opción que le gustaría agregar. Luego ajuste el tamaño de carga utilizando los botones MÁS TIEMPO (MORE TIME) o MENOS TIEMPO (LESS TIME).
- 4 Presione el botón de INICIO/PAUSA (START/PAUSE) para iniciar el ciclo.

# CÓMO USAR

## FUNCIONES DE VAPOR (cont.)

### *Cómo usar las opciones de vapor*



La opción REDUCCIÓN ESTÁTICA (REDUCE STATIC) inyecta vapor al final del ciclo de secado para reducir la electricidad estática producida por la fricción de telas.

Modifique el tiempo del ciclo presionando el botón MÁS TIEMPO (MORE TIME) o MENOS TIEMPO (LESS TIME). La pantalla muestra la cantidad de prendas recomendadas, por ejemplo, 7, 9, 11, 14, 16, o 18.



La opción PLANCHADO FÁCIL (EASY IRON) deja las telas adecuadamente húmedas para planchado, lo que puede ahorrar tiempo y facilitar el planchado.

Modifique el tiempo del ciclo presionando el botón MÁS TIEMPO (MORE TIME) o MENOS TIEMPO (LESS TIME). La pantalla muestra la cantidad de prendas recomendadas, por ejemplo, 1, 2, 3, 4, o 5.

Solo puede utilizarse las opciones REDUCE STATIC y EASY IRON con los ciclos MUY POTENTE (HEAVY DUTY), ALGODÓN/TOALLAS (COTTON/TOWELS), NORMAL y PRENSAR PERM. (PERM. PRESS), DELICADO (DELICATES) y SECADO DE TIEMPO (TIME DRY).

#### **NOTAS:**

- Cuando se selecciona SECADO CON SENSOR (SENSOR DRY) con la opción REDUCE STATIC, no puede seleccionarse NIVEL DE SECADO (DRY LEVEL) de MENOS (LESS) o HUMEDO (DAMP).
- Las opciones REDUCE STATIC o EASY IRON también puede seleccionarse durante los ciclos SECADO DE TIEMPO (TIME DRY).
- Cuando la opción de vapor esta seleccionarse durante los ciclos TIME DRY, los botones MORE TIME o LESS TIME cambiar el tiempo de vapor solamente.
- Después de presionar INICIO/PAUSA (START/PAUSE), los botones MORE TIME o LESS TIME no funcionar.

### *Como usar el ciclo STEAMSANITARY™*

El nuevo ciclo STEAMSANITARY™ (vapor sanitario) es idóneo para la higienización rápida y sencilla de elementos que no pueden lavarse, utilizando sólo el poder del vapor. Recomendamos utilizar este ciclo para tejidos de algodón y poliéster.

## FUNCIONES DE VAPOR (cont.)

### ⚠️ ADVERTENCIA:

- No abra la puerta de la secadora durante ciclos de vapor. El vapor puede provocar quemaduras graves.
- No llene el alimentador de vapor con gasolina, solventes para limpieza en seco, u otras sustancias inflamables o explosivas. Emiten vapores que podrían explotar.
- No beba agua del alimentador de vapor.
- No llene el alimentador de vapor con agua caliente (más de 86° F / 30° C).
- No toque la boquilla de vapor del tambor durante o después del ciclo de vapor.

### NOTAS IMPORTANTES SOBRE LOS CICLOS DE VAPOR:

- Puede que el vapor no sea claramente visible durante los ciclos de vapor. Esto es normal.
- No use el ciclo STEAMFRESH™ con elementos como lana, manta de lana, camperas de cuero, seda, ropa húmeda, lencería, productos de espuma o mantas eléctricas.
- Para mejores resultados, las prendas deben ser de tamaños y de tipos de tela similares. No sobrecargue la secadora.
- Cuando se tapa el filtro/conducto, la opción Steam (vapor) puede no tener resultados óptimos.
- Cuando la función Steam (vapor) está siendo utilizada, el tambor se detendrá para permitir que el vapor permanezca en el tambor.
- El alimentador de vapor debe llenarse con agua hasta la línea MAX. De otro modo, se mostrará un mensaje de Error.

## GUÍA DE CICLO DE VAPOR

Cycle	Vapor	Tiempo programado por la fábrica	Control de temp.	Nivel de Secado	Estado de tela	Tipo de tela	Cantidad Máx.
STEAM SANITARY		39 Min.			Sega	Camisas, Ropa de cama Ropa de niños	Camisas (1 cada) 3 lbs.
STEAM FRESH		20 Min.	●		Seca	Edredón Camisas*	Camisas (1 cada) 5 cada
	+ REDUCCIÓN ESTÁTICA	10 Min. Solamente Reduccion estatica			Seca	Camisas*	8 lbs. (18 ARTÍCULOS)
	+ PLANCHADO FÁCIL	12 Min.			Seca		Camisas* (5 cada)
MUY POTENTE ALGODÓN/TOALLAS NORMAL PRENSAR PERM. DELICADO	+ REDUCCIÓN ESTÁTICA	Siga el ciclo seleccionado		●	Mojada	Siga el ciclo seleccionado	8 lbs. (18 ARTÍCULOS)
	+ PLANCHADO FÁCIL			●	Mojada	Siga el ciclo seleccionado	Camisas* (5 cada)
SECADO TEMPORIZADO SECADO DE TIEMPO	+ REDUCCIÓN ESTÁTICA	45 Min.		●	Mojada	Siga la temperatura seleccionada	8 lbs. (18 ARTÍCULOS)
	+ PLANCHADO FÁCIL	47 Min.		●	Mojada	Siga la temperatura seleccionada	Camisas* (5 cada)

- \* Camisa: mezcla de 70% algodón/30% poliéster. Excepto telas especialmente delicadas
- Cuando se tapan el filtro de pelusas o el conducto de salida, las opciones de vapor no darán los resultados adecuados.
- Para mejores resultados, las prendas deben ser de tamaños y de tipos de tela similares. No sobrecargue la secadora.

# INSTRUCCIONES DEL MANTENIMIENTO PARA EL USUARIO

## LIMPIEZA REGULAR

**⚠️ ADVERTENCIA** – Para reducir el riesgo de incendio, descargas eléctricas o heridas al usar su electrodoméstico, siga las precauciones básicas, incluyendo lo siguiente:

- **Desenchufe la secadora antes de limpiar la misma para evitar el riesgo de descargas eléctricas.** Si no se cumple con esta advertencia se podrán producir heridas graves, incendios, descargas eléctricas o muerte.
- **Al limpiar la secadora nunca utilice químicos de corte, limpiadores abrasivos o solventes.** Los mismos dañarán su aspecto.

### *Limpieza del exterior*

El mantenimiento adecuado de su secadora podría prolongar su vida útil. El exterior de la unidad puede limpiarse con agua tibia y un detergente de jabón medio, no abrasivo.

Limpié inmediatamente cualquier clase de fuga, con un trapo suave y húmedo.

**IMPORTANTE:** No use alcohol desnaturalizado, disolventes o productos similares.

Nunca use limpiadores abrasivos o de lana metálica; pueden dañar la superficie.

### *Limpieza del interior*

Limpié con un paño alrededor de la abertura y el sello de la puerta con un paño suave húmedo para prevenir la acumulación de pelusa y polvo que podrían dañar el sello de la puerta.

Limpié la ventanilla con un paño suave humedecido con agua caliente y un detergente suave no abrasivo para el hogar; luego seque con un paño.

Se puede limpiar el tambor de acero inoxidable con un limpiador de acero inoxidable convencional, usado según las especificaciones del fabricante.

Nunca use limpiadores abrasivos ni de lana metálica; pueden raspar o dañar la superficie.

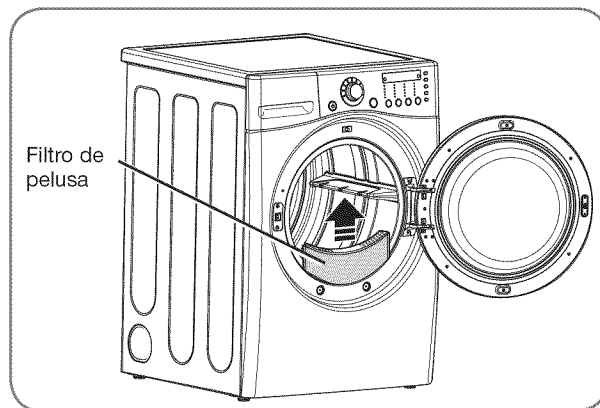
### *Limpieza alrededor y debajo de la secadora*

Aspire la pelusa y polvo alrededor de la secadora y debajo de ella con regularidad. Se debe revisar que el sistema de conductos de ventilación no tenga acumulación de pelusa y se debe limpiar una vez por año. Si se percibe una reducción del flujo de aire o desempeño del secado notorios, revise que el sistema de conductos no esté bloqueado ni tenga obstrucciones.

### *Mantenimiento del sistema de conductos*

Se debe revisar que el sistema de conductos de ventilación no tenga acumulación de pelusa y se debe limpiar una vez por año. Si se percibe una reducción del flujo de aire o desempeño del secado notorios, revise que el sistema de conductos no esté bloqueado ni tenga obstrucciones. Llame a un técnico o proveedor de mantenimiento calificados.

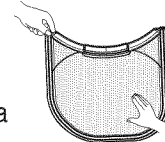
### *Limpieza del filtro de pelusa*



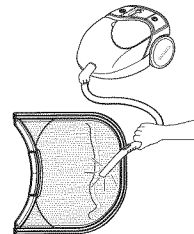
Limpié siempre el filtro de pelusa después de cada ciclo.

Para limpiarlo, tire del filtro de pelusa verticalmente. Luego:

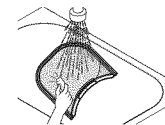
- 1 Con los dedos, enrolle cualquier pelusa para retirarla del filtro, o



- 2 Limpié el filtro de pelusa con un aspirador, o



- 3 Lave el filtro de pelusa en una solución de agua caliente y jabonosa y luego deje que se seque profundamente antes de reinstalar.



**NOTA:** NUNCA opere la secadora sin haber colocado antes el filtro de pelusa.



# RESOLUCIÓN DE PROBLEMAS

## ANTES DE LLAMAR A MANTENIMIENTO

Su secadora está equipada con un sistema de monitoreo de errores automático para la detección y el diagnóstico de problemas en una etapa temprana. Si su secadora no funciona adecuadamente o no funciona en lo absoluto, revise lo siguiente antes de llamar a mantenimiento.

Problema	Causas posibles	Soluciones
<b>La secadora no se enciende</b>	<ul style="list-style-type: none"> <li>El cable eléctrico no está enchufado adecuadamente.</li> <li>El fusible del hogar está quemado, el cortacircuitos se ha accionado, o ha ocurrido una interrupción eléctrica.</li> </ul>	<ul style="list-style-type: none"> <li>Asegúrese de que el enchufe esté conectado de manera segura en un tomacorriente con conexión a tierra, que se corresponda con la placa de clasificación.</li> <li>Reactive el disyuntor o cambie el fusible. No aumente la capacidad del fusible. Si el problema se debe a una sobrecarga de circuito, pida a un electricista calificado que solucione el problema.</li> </ul>
<b>La secadora no calienta</b>	<ul style="list-style-type: none"> <li>El fusible del hogar está quemado, el cortacircuitos se ha accionado, o ha ocurrido una interrupción eléctrica.</li> <li>Se ha apagado el suministro o servicio de gas (solo modelos a gas).</li> </ul>	<ul style="list-style-type: none"> <li>Reactive el disyuntor o cambie el fusible. No aumente la capacidad del fusible. Si el problema se debe a una sobrecarga de circuito, pida a un electricista calificado que solucione el problema.</li> <li>Confirme que la válvula de corte de gas de la vivienda y la válvula de corte de gas de la secadora estén completamente abiertas.</li> </ul>
<b>Manchas de grasa o suciedad en las prendas</b>	<ul style="list-style-type: none"> <li>Suavizador de telas usado incorrectamente.</li> <li>Prendas limpias y sucias secadas juntas.</li> <li>Prendas limpias y sucias secadas juntas.</li> </ul>	<ul style="list-style-type: none"> <li>Confirme y siga las instrucciones provistas con su suavizador de telas.</li> <li>Asegúrese de usar su secadora solo para secar artículos limpios, ya que los artículos sucios pueden ensuciar las prendas limpias en la misma carga o en las subsiguientes.</li> <li>Las manchas en ropas secas son en realidad manchas que no se eliminaron durante los procesos de lavado. Asegúrese de que las ropas queden completamente limpias de acuerdo con las instrucciones de su lavadora y detergente.</li> </ul>
<b>La pantalla muestra los errores tE1 o tE2</b>	<ul style="list-style-type: none"> <li>No está funcionando el calefactor.</li> </ul>	<ul style="list-style-type: none"> <li>Apague la secadora y llame a mantenimiento.</li> </ul>
<b>Pelusa en las prendas</b>	<ul style="list-style-type: none"> <li>No se ha limpiado correctamente el filtro de pelusa.</li> <li>Prendas de lavado no clasificadas adecuadamente.</li> <li>Exceso de estática en las prendas.</li> <li>La secadora está sobrecargada.</li> <li>Pañuelos de papel, papeles, etc. dejados en los bolsillos.</li> </ul>	<ul style="list-style-type: none"> <li>Asegúrese de limpiar el filtro de pelusa antes de cada carga. Con algunas cargas que producen altas cantidades de pelusa, puede ser necesario limpiar el filtro durante el ciclo.</li> <li>Algunas telas producen pelusas (por ejemplo: una toalla de algodón peluda blanca) y deben secarse aparte de las prendas que atrapan pelusa (por ejemplo: un par de pantalones de lino).</li> <li>Observe el <i>exceso de estática en las prendas después del secadora</i> indicado de la sección más abajo.</li> <li>Divida las cargas grandes en cargas más pequeñas para realizar el secado.</li> <li>Revise los bolsillos minuciosamente antes de lavar y secar prendas.</li> </ul>
<b>Exceso de estática en las prendas después del secado</b>	<ul style="list-style-type: none"> <li>No se usa suavizador de tela o se usa incorrectamente.</li> <li>Las prendas se secaron por demasiado tiempo (excesivamente secas).</li> <li>Secado de telas sintéticas, planchado permanente o combinación de materiales sintéticos.</li> </ul>	<ul style="list-style-type: none"> <li>Use un suavizador de telas para reducir la electricidad estática. Asegúrese de seguir las instrucciones del fabricante.</li> <li>Sobrecargar una carga de lavado puede causar la acumulación de electricidad estática. Programe los ajustes y use un tiempo de secado menos prolongado; o use los ciclos SECADO CON SENSOR (SENSOR DRY).</li> <li>Estos materiales pueden causar acumulación de estática. Intente usar un suavizador de telas.</li> </ul>

# RESOLUCIÓN DE PROBLEMAS

## ANTES DE LLAMAR A MANTENIMIENTO (cont.)

Problema	Causas posibles	Soluciones
<b>El tiempo de secado no es constante</b>	<ul style="list-style-type: none"> <li>Los ajustes de calor, el tamaño de la carga o la humedad de las prendas no son constantes.</li> </ul>	<ul style="list-style-type: none"> <li>El tiempo de secado para una carga variará dependiendo del ajuste de calor, tipo de calor utilizado (eléctrico, natural, o gas LP), el tamaño de la carga, el tipo de tela, el nivel de humedad de las prendas y la condición de los conductos de escape y el filtro de pelusa.</li> </ul>
<b>Las prendas tardan demasiado tiempo en secarse</b>	<ul style="list-style-type: none"> <li>La carga no está correctamente clasificada.</li> <li>Carga grande de telas pesadas.</li> <li>No se han programado adecuadamente los controles de la secadora.</li> <li>Se necesita limpiar el filtro de pelusa.</li> <li>Los conductos de escape están bloqueados, sucios o el tendido de los conductos es demasiado largo.</li> <li>El fusible del hogar está quemado, el cortacircuitos se ha accionado, o ha ocurrido una interrupción eléctrica.</li> <li>La secadora está sobrecargada.</li> <li>Hay muy poca carga en la secadora.</li> </ul>	<ul style="list-style-type: none"> <li>Separe los artículos pesados de los livianos. Los artículos más grandes y pesados requieren de mayor tiempo de secado.</li> <li>Las telas pesadas requieren de mayor tiempo de secado ya que tienden a retener mayor humedad. Para ayudar a reducir y mantener tiempos de secado más constantes para telas pesadas y de mayor tamaño, separe estos artículos en cargas más pequeñas de un tamaño sistemático.</li> <li>Use los ajustes de control adecuados para el tipo de carga que esté secando.</li> <li>Asegúrese de limpiar el filtro de pelusa antes de cada carga. Con algunas cargas que producen altas cantidades de pelusa, puede ser necesario limpiar el filtro durante el ciclo.</li> <li>Confirme que el sistema de conducto de escape se encuentre configurado correctamente y no tenga desechos, pelusa ni obstrucciones. Asegúrese de que los reguladores de tiro exteriores abran adecuadamente y no estén bloqueados, atascados ni dañados.</li> <li>Reactive el disyuntor o cambie el fusible. No aumente la capacidad del fusible. Si el problema se debe a una sobrecarga de circuito, pida a un electricista calificado que solucione el problema.</li> <li>Divida las cargas grandes en cargas más pequeñas para realizar el secado.</li> <li>Si está secando una carga muy pequeña, añada algunos artículos adicionales para asegurar una acción de giro apropiada.</li> </ul>
<b>Las prendas están arrugadas</b>	<ul style="list-style-type: none"> <li>Las prendas se secaron por demasiado tiempo (excesivamente secas).</li> <li>Se han dejado las prendas en la secadora por demasiado tiempo una vez finalizado el ciclo.</li> </ul>	<ul style="list-style-type: none"> <li>Secar excesivamente una carga de lavandería puede provocar arrugas en las prendas. Intente secar por un período menos prolongado y retire los artículos mientras aún retienen una cantidad leve de humedad.</li> <li>Retire inmediatamente todos los artículos de la secadora al final del ciclo. Use la opción CUIDADO DE ARRUGAS (WRINKLE CARE) para continuar girando las prendas al final de un ciclo, por un plazo máximo de 3 horas.</li> </ul>
<b>Las prendas encogen</b>	<ul style="list-style-type: none"> <li>No se siguen las instrucciones de la etiqueta de la prenda.</li> </ul>	<ul style="list-style-type: none"> <li>Para evitar que las prendas encojan, siga cuidadosamente las instrucciones de cuidado de telas correspondiente a su prenda, ya que algunas telas encogen naturalmente cuando se lavan. Otras telas se pueden lavar, pero encogen cuando se secan en una secadora. Use un ajuste de calor bajo o sin calor y/o la opción SECADO EN PARRILLA (RACK DRY).</li> </ul>

# RESOLUCIÓN DE PROBLEMAS

## ANTES DE LLAMAR A MANTENIMIENTO (cont.)

Problema	Causas posibles	Soluciones
La luz de <b>AÑADIR AGUA (ADD WATER)</b> esta encendida durante el ciclo de secado.	<ul style="list-style-type: none"> <li>Error de entrada de agua.</li> </ul>	<ul style="list-style-type: none"> <li>Verifique el cajón del alimentador de vapor:               <ol style="list-style-type: none"> <li>El alimentador de vapor debe estar lleno de agua hasta la línea MAX.</li> <li>Constate que el alimentador de vapor esté bien colocado y que el cajón esté completamente cerrado.</li> <li>Apague la secadora, luego vuelva a iniciar el ciclo de vapor.</li> </ol> </li> <li>No use agua destilada; el sensor de nivel de agua del generador de vapor no funcionará.</li> <li>No funciona la bomba. Desenchufe la secadora y llame al servicio técnico.</li> </ul>
Gotea agua de la boquilla cuando comienza el ciclo de vapor.	<ul style="list-style-type: none"> <li>Esto es normal.</li> </ul>	<ul style="list-style-type: none"> <li>Esto es condensación de vapor. El agua parará de gotear después de un tiempo.</li> </ul>
No se produce vapor pero no aparece ningún código de error.	<ul style="list-style-type: none"> <li>Error de nivel de agua.</li> </ul>	<ul style="list-style-type: none"> <li>Desenchufe la secadora y llame al servicio técnico.</li> </ul>
Las prendas siguen arrugadas después del ciclo <b>STEAMFRESH™</b> .	<ul style="list-style-type: none"> <li>Demasiadas prendas o prendas muy diferentes en la secadora.</li> </ul>	<ul style="list-style-type: none"> <li>Cargas pequeñas de 1 a 5 prendas funcionan mejor.</li> <li>Cargue menos prendas. Cargue prendas de clase similar.</li> </ul>
No quedan rayas en la ropa después de <b>STEAMFRESH™</b> .	<ul style="list-style-type: none"> <li>La función de este ciclo es quitar las arrugas de las telas.</li> </ul>	<ul style="list-style-type: none"> <li>Use una plancha para hacer las rayas.</li> </ul>
Las prendas tienen estática después de <b>REDUCCIÓN ESTÁTICA (REDUCE STATIC)</b> .	<ul style="list-style-type: none"> <li>Esto es normal.</li> </ul>	<ul style="list-style-type: none"> <li>Depende del nivel individual de humedad de la piel.</li> </ul>
Las prendas están muy húmedas o muy secas después de <b>REDUCCIÓN ESTÁTICA (REDUCE STATIC)</b> .	<ul style="list-style-type: none"> <li>Opciones correctas de secado no seleccionadas.</li> </ul>	<ul style="list-style-type: none"> <li>Seleccione el peso de la carga manualmente antes de comenzar la opción <b>REDUCCIÓN ESTÁTICA (REDUCE STATIC)</b>.</li> </ul>
Las prendas no quedan uniformemente húmedas después de <b>PLANCHADO FÁCIL (EASY IRON)</b> .	<ul style="list-style-type: none"> <li>Esto es normal.</li> </ul>	<ul style="list-style-type: none"> <li>Depende de la cantidad o clase de prendas.</li> </ul>
Gotea agua de la puerta durante el ciclo de vapor.	<ul style="list-style-type: none"> <li>Esto es normal.</li> </ul>	<ul style="list-style-type: none"> <li>Esto es condensación de vapor sobre la superficie de la puerta.</li> </ul>

# RESOLUCIÓN DE PROBLEMAS

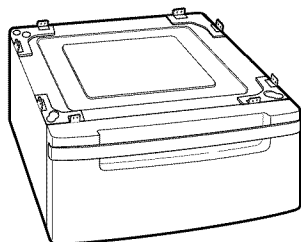
## ANTES DE LLAMAR A MANTENIMIENTO (cont.)

Problema	Causas posibles	Soluciones
No se ve vapor durante el ciclo de vapor.	<ul style="list-style-type: none"> <li>• Esto es normal.</li> </ul>	<ul style="list-style-type: none"> <li>• Es difícil ver el vapor con la puerta cerrada.</li> </ul>
El tambor no gira durante el ciclo de vapor.	<ul style="list-style-type: none"> <li>• Esto es normal.</li> </ul>	<ul style="list-style-type: none"> <li>• El tambor está apagado para que el vapor permanezca en el tambor.</li> </ul>
No se ve vapor al comienzo del ciclo.	<ul style="list-style-type: none"> <li>• Esto es normal.</li> </ul>	<ul style="list-style-type: none"> <li>• El vapor se libera en diferentes etapas del ciclo para cada opción.</li> </ul>
La pantalla muestra CARGA VOLUMINOSA b1 9.	<ul style="list-style-type: none"> <li>• El botón MAS TIEMPO (MORE TIME) está presionado.</li> </ul>	<ul style="list-style-type: none"> <li>• Presionando el botón MAS TIEMPO (MORE TIME) varias veces configurará el ciclo para una carga grande, como un edredón.</li> </ul>
Olores restantes en la ropa después de STEAMFRESH™.	<ul style="list-style-type: none"> <li>• STEAMFRESH™ no elimina completamente el olor.</li> </ul>	<ul style="list-style-type: none"> <li>• Lave las telas que contienen los olores en un ciclo de lavado normal.</li> </ul>
La luz de FLOW SENSE está encendida durante el ciclo de secado.	<ul style="list-style-type: none"> <li>• La tubería es demasiado larga o posee muchos giros/restricciones.</li> <li>• Bloqueo significativo de la tubería por acumulación de pelusa o escombros.</li> </ul>	<ul style="list-style-type: none"> <li>• Instale un conducto más corto o más derecho. Lea las Instrucciones de Instalación.</li> <li>• La tubería se deberá controlar/limpiar de inmediato para eliminar la pelusa acumulada y otros bloqueos. La secadora se puede usar, pero su funcionamiento y eficacia se verán reducidos de forma importante.</li> </ul>

# ACCESORIOS OPCIONALES

## ACCESORIOS OPCIONALES

Para estos y otros productos LG, llame a su distribuidor LG local, o visite nuestro sitio Web en [us.lge.com](http://us.lge.com).



### ***Pedestal***

Incremente el desempeño de su lavadora LG con los pedestales de 35,5 centímetros (14 pulgadas) de alto correspondientes. Proveen un cajón de almacenamiento para brindar mayor comodidad.

<b>Pedestal 14"</b>	<b>Color</b>
WDP3W	Blanco
WDP3V	Acero al grafito
WDP3R	Rojo Cereza
WDP3N	Azul Riviera
WDP3S	Titanio



### ***Kit de apilado***

Si no se dispone de espacio, utilice este kit para apilar de manera segura su lavadora de carga frontal y secadora LG.

<b>Kit de apilado</b>	<b>Color</b>
WSTK1	Blanco
SSTK1	Titanium
RSTK1	Rojo Cereza
NSTK1	Azul Riviera

# ACCESORIOS OPCIONALES

## INSTALACIÓN DEL PEDESTAL

**El accesorio de pedestal incluye:**

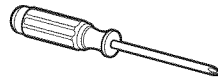
- Divisor de cajón (1)
- Llave (1)
- Tornillos (18) †
- Sujetadores (4) ††



† Se necesita 8 tornillos para la secadora  
†† Para secadora solamente

**Herramientas necesarias para la instalación:**

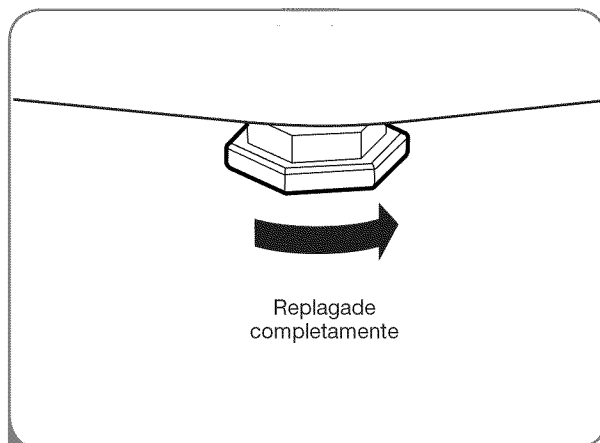
- Destornillador Phillips
- Llave (provista)



Para asegurar la instalación segura, siga cuidadosamente las siguientes instrucciones.

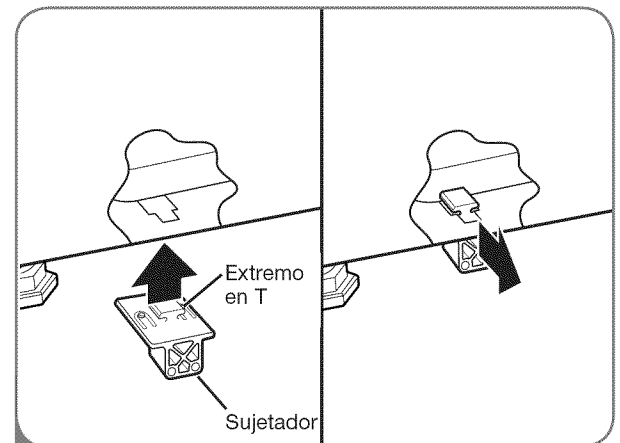
## ⚠ADVERTENCIA

- **La instalación incorrecta puede causar accidentes graves.**
- **Los electrodomésticos son muy pesados. Se requiere de dos o más personas para instalar del pedestal.** Si esto no se cumple se podrán sufrir daños en la espalda u otras heridas.
- **No permita que los niños jueguen en el cajón.** Existe riesgo de asfixia y heridas.
- **Nunca se debe parar sobre la manija.** Si lo hace se podrán producir heridas graves.
- **Si los electrodomésticos ya se encuentran instalados, desconéctelos de cualquier fuente de alimentación, tuberías de gas o agua y de las conexiones de drenaje o ventilación.** Si no se cumple con esta advertencia se podrán producir incendios, explosión, descargas eléctricas o muerte.
- **Use guantes durante la instalación.**



- 1 Asegúrese de que los pies de nivelación de la secadora están totalmente replagados.

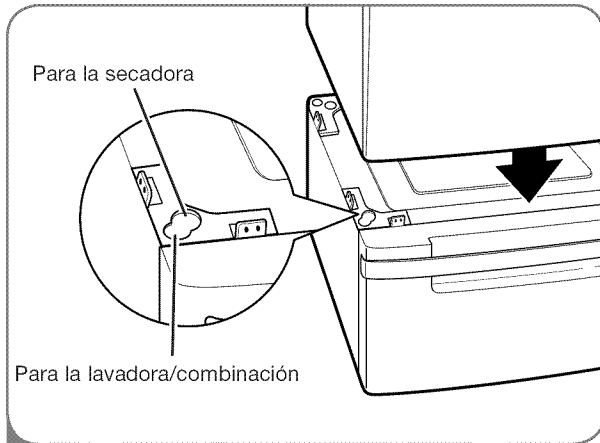
**NOTA:** El conjunto del electrodoméstico y el pedestal deben estar colocados en un piso sólido, resistente y nivelado para btener l funcionamiento adecuado.



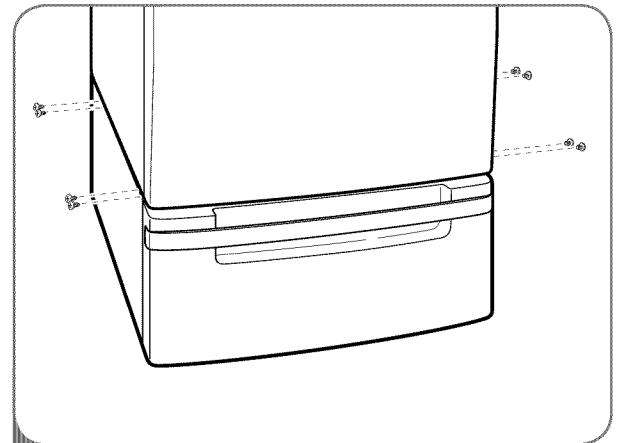
- 2 Inserte el extremo en T de los 4 sujetadores dentro de la base de la secadora como se muestra. Presione el extremo trasera hacia arriba y tire hacia el exterior para asegurar en su lugar.

# ACCESORIOS OPCIONALES

## INSTALACIÓN DEL PEDESTAL (cont.)

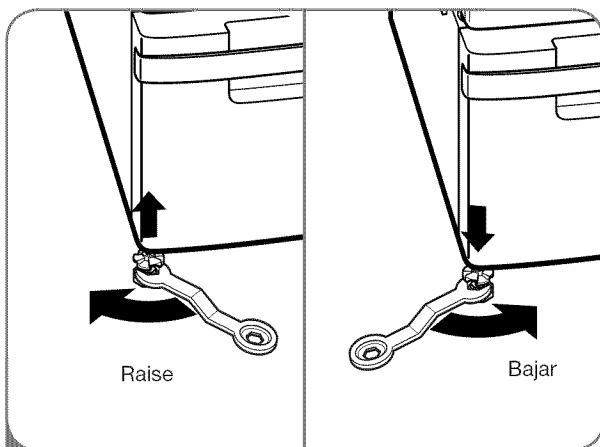


**3** Coloque el electrodoméstico encima del pedestal. Asegúrese que los pies frontales y traseros se encuentren en las posiciones correctas. Las patas de la secadora coincidirán con las posiciones extremas interiores como indicado.



**4** Asegúrese de que los orificios del pedestal se alinean con los orificios de los sujetadores, luego instale 4 tornillos en cada esquina para ajustar en forma segura el electrodoméstico al pedestal.

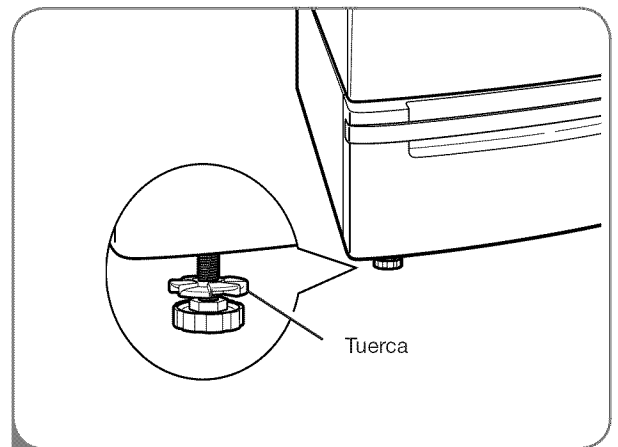
**NOTA:** Si los tornillos no se instalan de manera adecuada, es posible que se produzcan ruidos y vibraciones. Mueva el electrodoméstico hacia la ubicación deseada.



**5** Afloje las tuercas en las 4 patas niveladoras del pedestal hasta que pueda girarlos con la llave. Gire en el sentido de las manecillas del reloj o al contrario para bajar hasta vez que el pedestal esté nivelado y todas las 4 patas estén apoyadas firmemente en el piso.

### **Cómo Usar las Almohadillas para Piso**

Si instalará el pedestal en un piso de madera, coloque las almohadillas para piso debajo de las patas del pedestal. Esto ayudará a reducir la vibración cuando la lavadora esté en funcionamiento.



**6** Asegure de manera segura las tuercas manualmente.

**NOTA:** Puede haber ruido y vibración si las tuercas no están aseguradas.

Asegúrese de conectar los electrodomésticos a todas las tuberías de agua o gas o a la fuente de poder o conexiones de ventilación antes de poner en funcionamiento.

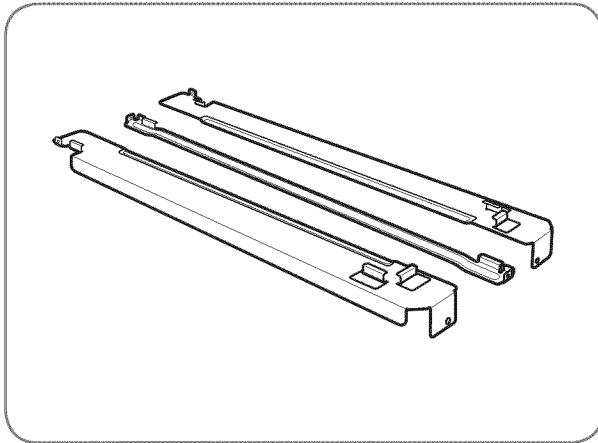
Si hay vibración excesiva durante el primer ciclo de funcionamiento después de la instalación, ajuste levemente las patas niveladoras.

# ACCESORIOS OPCIONALES

## INSTALACIÓN DEL KIT DE APILADO

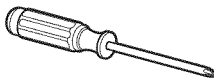
Este kit de apilado incluye:

- Dos (2) rieles laterales.
- Un (1) riel frontal.
- Cuatro (4) tornillos.



**Herramientas necesarias para la instalación:**

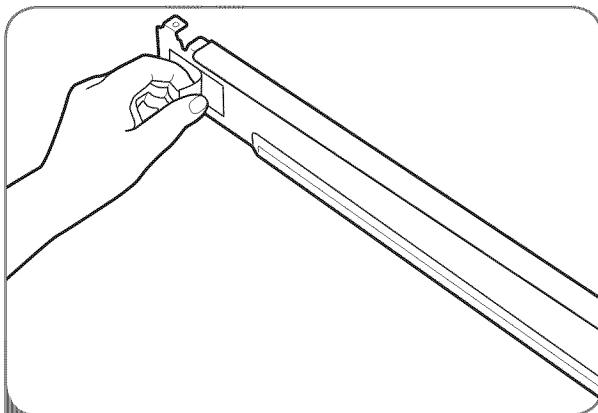
- Destornillador Phillips



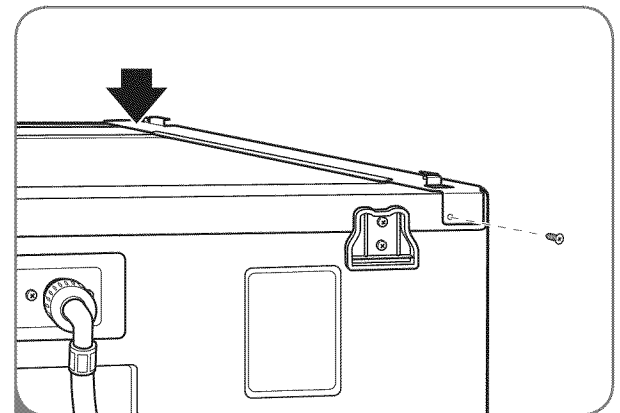
Para asegurar la instalación segura, siga las siguientes instrucciones.

## ⚠️ ADVERTENCIA

- **La instalación incorrecta puede causar accidentes graves.**
- **El peso de la secadora y la altura de la instalación hacen que el procedimiento de apilado sea demasiado riesgoso para que lo realice una sola persona.** Si esto no se cumple se podrán sufrir daños en la espalda u otras heridas.
- **No utilizar el kit de apilado con un secadora a gas en condiciones potencialmente inestables tales como una casa rodante.** Si lo hace se podrán producir heridas graves.
- **Nunca coloque una lavadora sobre la secadora.** Si no se cumple con esta advertencia se podrán producir heridas graves.
- **Coloque la lavadora sobre un piso sólido, estable y nivelado para soportar el peso de ambos electrodomésticos.** Si lo hace se podrán producir heridas graves.
- **Si los electrodomésticos ya se encuentran instalados, desconéctelos de cualquier fuente de alimentación, tuberías de gas o agua y de las conexiones de drenaje o ventilación.** Si no se cumple con esta advertencia se podrán producir incendios, explosión, descargas eléctricas o muerte.
- **Use guantes durante la instalación.**



- 1** Asegúrese de que la superficie de la lavadora esté limpia y seca. Quite el papel de respaldo de la cinta ubicada en una de las abrazaderas laterales del kit de apilado.

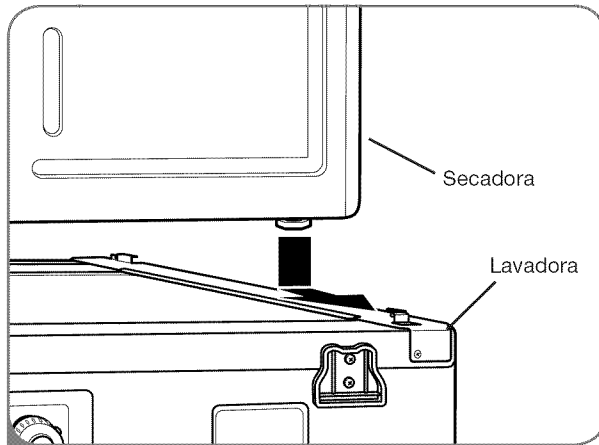


- 2** Haga coincidir la abrazadera lateral del lado de la parte superior de la lavadora como se indica en la ilustración anterior. Apriete firmemente el área adhesiva de la abrazadera a la superficie de la lavadora. Asegure la abrazadera lateral a la lavadora con un tornillo en su lado trasero. Repita los pasos 1 y 2 para conectar la abrazadera del otro lado.

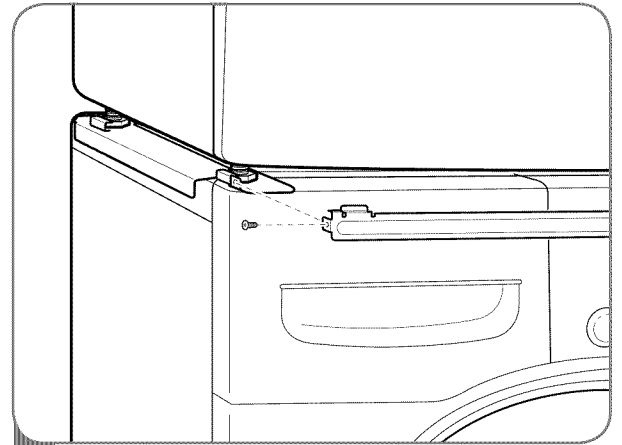


# ACCESORIOS OPCIONALES

## INSTALACIÓN DEL KIT DE APILADO (cont.)



**3** Coloque la secadora sobre la lavadora haciendo coincidir las patas en las abrazaderas laterales como se indica. Evite lesionarse los dedos; no deje que los dedos queden atrapados entre la lavadora y la secadora. Deslice despacio la secadora hacia la parte trasera de la lavadora hasta que los topes de la abrazadera lateral coincidan con las patas de la secadora.



**4** Insterte el riel frontal entre la parte inferior de la secadora y la parte superior de la lavadora. Empuje el riel frontal hacia la parte trasera de la lavadora hasta que entre en contacto con los topes del riel lateral. Instale los dos tornillos restantes para asegurar el riel frontal a los laterales.

## ESPECIFICACIONES

### DIMENSIONES Y ESPECIFICACIONES CLAVE

El aspecto y las especificaciones enumeradas en esta guía podrían variar debido a mejoras constantes del producto.

Secador con vapor DLEX2901W, DLEX2901V, DLEX2901R, DLEX2901S, DLEX2901L, DLGX2902W, DLGX2902V, DLGX2902R, DLGX2902S y DLGX2902L	
<b>Descripción</b>	Secadora con vapor
<b>Requisitos eléctricos*</b>	Consulte la placa de clasificación para información en detalles.
<b>Requisitos de gas*</b>	NG: 10 a 13 pulgadas WC/LP: 10 a 13 pulgadas WC (Solo modelos a gas)
<b>Dimensiones</b>	27"(ancho) X 30"(profundidad) X 38 <sup>11</sup> / <sub>16</sub> "(alto), 51" (D con la puerta abierta) 68,6 cm (ancho) X 76,1 cm (profundidad) X 98,3 cm (alto), 129,7 cm (con la puerta abierta)
<b>Peso neto</b>	136.6 lbs. (62 kg)
<b>Capacidad de secado</b>	
- Ciclo de normal	IEC 7,4 pies cubicos (22,5 lb./10,2 kg)
- Ciclo de vapor	IEC 7,4 pies cubicos (8 lb./3.6 kg)

\*Consulte la placa de clasificación colocada en su secadora.

**LG ELECTRONICS, INC.**  
**GARANTÍA LIMITADA DE LA SECADORA LG – EE. UU.**



Su secadora LG será reparada o reemplazada, a discreción de LG, si se comprueba que existe un defecto en el material o la mano de obra bajo condiciones de uso normales, durante el período de garantía ("Período de garantía") establecido más abajo, vigente desde la fecha ("Fecha de compra") de la compra del cliente original de producto. Esta garantía es válida únicamente para el comprador original del producto y cuando se usa en EE. UU., incluyendo Alaska, Hawaii, y los territorios de los EE. UU., exclusivamente.

**PERÍODO DE GARANTÍA:**

**MANO DE OBRA:** Un año desde la Fecha de compra.

**PIEZAS:** Un año desde la Fecha de compra.

Las unidades de reemplazo y piezas de reparación podrían ser nuevas o refabricadas.

Las unidades de reemplazo o piezas de reparación están garantizadas por la porción restante del período de garantía de la unidad original.

**CÓMO SE ADMINISTRA EL MANTENIMIENTO:**

**Mantenimiento en el hogar "In-Home":**

Guarde la factura fechada del distribuidor o la boleta de entrega como evidencia de la Fecha de compra como prueba para la garantía, y entregue una copia de la factura al técnico de mantenimiento al momento que se presta el mantenimiento.

**Llame al 1-800-243-0000 y escoja la opción adecuada para ubicar a su Centro de Mantenimiento Autorizado LG más cercano.**

O visite nuestro sitio Web en: <http://www.lgservice.com>.

**ESTA GARANTÍA REEMPLAZA CUALQUIER OTRA, EXPRESA O IMPLÍCITA, INCLUYENDO SIN LIMITACIÓN, CUALQUIER GARANTÍA DE COMERCIALIZACIÓN O ADECUACIÓN PARA UN PROPÓSITO DETERMINADO. EN LA MEDIDA REQUERIDA POR LA LEY, CUALQUIER GARANTÍA IMPLÍCITA SE LIMITA EN SU VIGENCIA AL PERÍODO DE GARANTÍA EXPRESA INDICADO MÁS ARRIBA. NI EL FABRICANTE NI EL DISTRIBUIDOR DE LOS EE. UU. SERÁN RESPONSABLES POR DAÑOS INCIDENTALES, CONSECUENCIALES, INDIRECTOS, ESPECIALES O PUNITIVOS DE CUALQUIER NATURALEZA INCLUYENDO SIN LIMITACIÓN, PÉRDIDA DE GANACIAS O INGRESOS, O CUALQUIER OTRA CLASE DE DAÑOS, CONTRACTUALES, EXTRA CONTRACTUALES, O DE CUALQUIER TIPO.** Algunos estados no permiten la exclusión o limitación de daños incidentales o consecuenciales o limitación en la duración de una garantía implícita, de modo que la exclusión o limitación indicada anteriormente podría no aplicar en su caso. Esta garantía le brinda derechos legales específicos y podría también tener otros derechos que varían según el estado.

**ESTA GARANTÍA LIMITADA NO APLICA A:**

- Viajes de mantenimiento desde su hogar para entrega, recepción y/o instalación del producto, instrucción o reemplazo de fusibles del hogar o cableado adecuado o corrección de reparaciones no autorizadas.
- Los daños o problemas operativos que resulten de la negligencia en el uso, el abuso, el funcionamiento fuera de las especificaciones medioambientales o inconsistentes con los requisitos de precauciones establecidos en la Guía de funcionamiento, accidente, insectos, incendio, inundación, instalación inadecuada, casos de fuerza mayor, modificación o alteración no autorizada, corriente o voltaje incorrectos, o uso comercial, o uso diferente al indicado.

El costo de reparación o reemplazo bajo estas circunstancias excluidas será responsabilidad del cliente.

**NÚMEROS DE CENTROS INTERACTIVOS DE CLIENTE**

**Para obtener Asistencia para el cliente, información del producto o mantenimiento o distribuidor autorizado:**

**Llame al 1-800-243-0000** (24 horas al día, 365 días al año), y seleccione la opción adecuada a partir del menú.

**O visite nuestro sitio Web en:** <http://www.lgservice.com>.

**PARA CONTACTAR A LG ELECTRONICS POR CORREO:**

LG Customer Interactive Center  
P. O. Box 240007  
201 James Record Road  
Huntsville, Alabama 35824  
ATTN: CIC

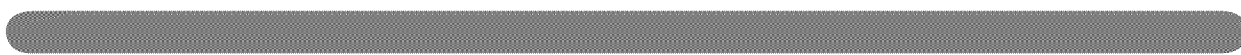
**Información de registro del producto**

**Modelo:**

**Número de serie:**

**Fecha de compra:**

El modelo y número de serie figuran en la placa de clasificación en la parte interna de la puerta del frente.



# INTRODUCTION

## IMPORTANTES INSTRUCTIONS DE SÉCURITÉ

Ce qu'il faut faire si vous détectez une odeur de gaz .....	93
Précautions de sécurité de base.....	94
Instructions de mise à la terre .....	95
Précautions de sécurité pour l'installation .....	95, 96
Consigne de sécurité pour les fonctions vapeur.....	96
Instructions de sécurité pour le raccordement à l'électricité .....	97

## PIÈCES ET CARACTÉRISTIQUES

Caractéristiques spéciales .....	98
Composantes et pièces principales .....	99

## INSTRUCTIONS D'INSTALLATION

IMPORTANT : Lire toutes les directives d'installation dans leur intégralité avant d'installer et d'utiliser votre sècheuse !.....	
Choisir le bon emplacement .....	100
Dégagements .....	100
Installations avec piédestal ou trousse d'empilage en option .....	
Accessoires en option .....	101
Mise à niveau de la sècheuse .....	102
Inversion de l'oscillation de la porte.....	102
Modification de l'emplacement de la sortie d'air.....	
Ventilation de la sècheuse.....	104, 105
Raccordement des sècheuses à gaz .....	106, 107
Raccordement des sècheuses électriques .....	108
Exigences particulières pour les maisons mobiles ou préfabriquées.....	
Vérification finale de l'installation .....	109
Évaluation de l'état du conduit d'évacuation .....	110

## MODE D'EMPLOI

Triage des brassées .....	111
Chargement de la sècheuse.....	111
Vérification du filtre à charpie avant tout la brassée.....	
Caractéristiques du panneau de commande.....	112
Guide de cycle .....	113
Afficheur .....	114
Fonctionnement de la sècheuse .....	115
Boutons de réglage du cycle.....	115
Bouton de options de cycle .....	116
Fonctions spéciales.....	117
Autres fonctions .....	118
Fonctions de vapeur.....	119-121
Guide du cycle vapeur .....	121

## ENTRETIEN ET NETTOYAGE

Nettoyage régulier .....	122
--------------------------	-----

## DÉPANNAGE

Avant d'appeler le service .....	123-126
----------------------------------	---------

## MERCI !

Félicitations pour votre achat et bienvenue dans la famille LG. Votre nouvelle sècheuse LG associe la technologie de capteur d'humidité la plus avancée à un fonctionnement simple et une efficacité supérieure. Si vous suivez les consignes d'utilisation et d'entretien de ce manuel, votre sècheuse vous assurera de nombreuses années de service fiable.

## ACCESSOIRES EN OPTION/SPÉCIFICATIONS

Accessoires en option .....	127
Installation du piédestal .....	128, 129
Installation de la trousse d'empilage.....	130, 131
Spécifications et dimensions principales.....	131

## GARANTIE .....

132

### *Information relative à l'enregistrement du produit*

Modèle :

Numéro de série :

Date d'achat :

Le numéro de modèle et de série figurent sur la plaque de signalétique dans la porte avant.

# IMPORTANTES INSTRUCTIONS DE SÉCURITÉ

## LISEZ TOUTES LES DIRECTIVES AVANT D'UTILISER L'APPAREIL

**⚠️ AVERTISSEMENT** Pour votre sécurité, vous devez suivre l'information contenue dans ce manuel afin de réduire les risques d'incendie et d'explosion, de choc électrique, ainsi que pour éviter les dommages matériels, les blessures corporelles, ou un décès.

### Votre sécurité et la sécurité des autres sont très importantes.

Ce manuel contient de nombreux messages relatifs à la sécurité et à votre appareil.

Lisez toujours et suivez toujours toutes les instructions relatives à votre sécurité.



C'est le symbole d'alerte à la sécurité.

Ce symbole vous alerte de dangers potentiels qui peuvent vous tuer ou vous blesser ou tuer ou blesser d'autres personnes. Tous les messages relatifs à la sécurité suivent le symbole d'alerte à la sécurité et le mot DANGER ou AVERTISSEMENT.

Ces mots signifient :

**⚠️ DANGER** : Vous pouvez être tué ou gravement blessé si vous ne suivez pas immédiatement les instructions.

**⚠️ AVERTISSEMENT** : Vous pouvez être tué ou gravement blessé si vous ne suivez pas les instructions.

Tous les messages relatifs à la sécurité vous diront la nature du danger potentiel, comment réduire le risque de blessure et ce qui peut se produire si vous ne suivez pas les instructions.

- N'installez pas une sècheuse avec des matériaux de ventilation en plastique flexibles. Si vous installez un conduit en métal flexible (de type feuille métallique), celui-ci doit être d'un type spécifique identifié par le fabricant comme convenant à une utilisation avec une sècheuse. Les matériaux de ventilation flexibles sont susceptibles de se déformer, d'être écrasés facilement et de retenir les peluches. Ces conditions peuvent obstruer la circulation de l'air de la sècheuse et accroître le risque d'incendie.
- Ne rangez et n'utilisez pas d'essence ou autres vapeurs et liquides inflammables près de cet appareil ou de tout autre appareil électroménager.
- L'installation et l'entretien doivent être effectués par un installateur qualifié, une agence de service, ou le fournisseur de gaz.
- Installez la sècheuse conformément aux instructions du fabricant et à la réglementation locale.
- Conservez ces instructions.

## CE QU'IL FAUT FAIRE SI VOUS DÉTECTEZ UNE ODEUR DE GAZ :

1. N'essayez pas de gratter une allumette, d'allumer une cigarette, ou de mettre sous tension un électroménager à gaz ou électrique.
2. Ne touchez à aucun interrupteur électrique. N'utilisez aucun téléphone de votre édifice.
3. Évacuez toute personne présente dans la pièce, l'édifice, ou la zone à proximité.
4. Appelez immédiatement votre fournisseur de gaz du téléphone d'un voisin. Suivez attentivement les directives du fournisseur de gaz.
5. Si vous ne pouvez pas rejoindre votre fournisseur de gaz, appelez le service d'incendie.

# IMPORTANTES INSTRUCTIONS DE SÉCURITÉ

## LISEZ TOUTES LES DIRECTIVES AVANT D'UTILISER L'APPAREIL

**⚠ AVERTISSEMENT** Pour votre sécurité, vous devez suivre l'information contenue dans ce manuel afin de réduire les risques d'incendie et d'explosion, de choc électrique, ainsi que pour éviter les dommages matériels, les blessures corporelles, ou un décès.

### PRÉCAUTIONS DE SÉCURITÉ DE BASE

**⚠ AVERTISSEMENT :** Afin de réduire les risques d'incendie, de choc électrique, ou les blessures corporelles lorsque vous utilisez des électroménagers, vous devez toujours suivre les précautions de base, y compris ce qui suit :

- Lisez toutes les instructions avant d'utiliser votre sècheuse.
- Avant de l'utiliser, la sècheuse doit être installée correctement conformément aux directives données dans ce manuel.
- Ne séchez aucun article qui aurait précédemment été nettoyé, lavé, ou trempé dans de l'essence, des solvants pour nettoyage à sec, ou toute autre substance inflammable ou explosive non plus que tout article qui présenterait des taches de ces substances car les vapeurs qui s'en dégagent pourraient s'enflammer ou exploser.
- Ne placez pas d'articles exposés à des huiles, y compris de l'huile de cuisson, dans votre sècheuse. Des vêtements contaminés aux huiles peuvent entraîner une réaction chimique qui pourrait faire enflammer une brassée.
- Ne mettez jamais votre main dans la sècheuse si le tambour ou les autres pièces sont en mouvement.
- Ne réparez jamais ou ne remplacez jamais une pièce de la sècheuse ou n'essayez jamais de réparer votre sècheuse, à moins que cet entretien soit spécifiquement recommandé dans ce Guide d'utilisation et d'entretien ou dans des instructions de réparations par l'utilisateur publiées que vous comprenez et que vous êtes capable d'entreprendre.
- Ne modifiez pas les commandes.
- Ne laissez pas les enfants jouer dans la sècheuse ou sur celle-ci. Vous devez les superviser de près lorsque vous utilisez la sècheuse à proximité.
- Avant d'inutiliser ou de mettre la sècheuse au rebut, retirez-en la porte.
- Utilisez les assouplisseurs ou produits pour éliminer la statique uniquement tel que recommandé par le fabricant.
- N'utilisez pas de cycle avec chaleur pour sécher des articles qui comportent du caoutchouc mousse ou tout autre matière similaire à du caoutchouc.
- Conservez l'espace entourant l'ouverture de sortie et les espaces adjacents libre de toute accumulation de charpie, de poussière, et de saleté.
- Vous devez faire nettoyer périodiquement l'intérieur de la sècheuse et du conduit de sortie par du personnel de service qualifié.
- N'installez jamais ou ne rangez jamais votre sècheuse dans un endroit exposé aux intempéries.
- Vérifiez toujours l'intérieur de la sècheuse pour y repérer tout corps étranger.
- Nettoyez le filtre à charpie avant ou après chaque brassée.

# IMPORTANTES INSTRUCTIONS DE SÉCURITÉ

## LISEZ TOUTES LES DIRECTIVES AVANT D'UTILISER L'APPAREIL

**⚠ AVERTISSEMENT** Pour votre sécurité, vous devez suivre l'information contenue dans ce manuel afin de réduire les risques d'incendie et d'explosion, de choc électrique, ainsi que pour éviter les dommages matériels, les blessures corporelles, ou un décès.

### INSTRUCTIONS DE MISE À LA TERRE

Vous devez mettre à la terre cet appareil. En cas de panne ou de cassure, la mise à la terre réduit le risque d'électrocution en offrant un chemin de moindre résistance au courant électrique. Cet appareil doit être muni d'un cordon doté d'un conducteur de mise à la terre et d'une fiche avec mise à la terre. Vous devez brancher la fiche dans une prise appropriée qui est bien installée et mise à la terre conformément à tous les codes et les ordonnances locales.

### ⚠ AVERTISSEMENT

Un mauvais branchement du conducteur de mise à la terre peut entraîner un risque d'électrocution. Vérifiez auprès d'un électricien qualifié ou d'un technicien de service si vous

n'êtes pas certain que l'appareil est bien mis à la terre.

Ne modifiez jamais la fiche fournie avec l'appareil. Si elle ne correspond pas à la prise, faites installer une bonne prise par un électricien qualifié.

Vous devez brancher cet appareil à un système de câblage permanent, en métal, mis à la terre ou vous devez faire courir un conducteur de mise à la terre avec les conducteurs du circuit et le brancher à la broche ou au contact de mise à la terre de l'appareil.

Si votre sècheuse n'est pas bien mise à la terre, cela peut entraîner une électrocution.

### PRÉCAUTIONS DE SÉCURITÉ POUR L'INSTALLATION

**⚠ AVERTISSEMENT :** Afin de réduire les risques d'incendie, de choc électrique, ou les blessures corporelles lorsque vous utilisez des électroménagers, vous devez toujours suivre les précautions de base, y compris ce qui suit :

- **Faites la mise à la terre de la sècheuse conformément à tous les codes et réglementation adéquats.** Suivez les directives d'installation détaillées. Si votre sècheuse n'est pas bien mise à la terre, cela peut entraîner une électrocution.
- **Avant de l'utiliser, la sècheuse doit être installée correctement conformément aux directives données dans ce manuel.** Si votre sècheuse n'est pas bien mise à la terre, cela peut entraîner une électrocution.
- **Installez et entreposez la sècheuse à un endroit où elle ne sera pas exposée à des températures sous le point de congélation ou exposée aux intempéries.**
- **Toutes les réparations et l'entretien doivent être faits par un service d'entretien autorisé, à moins qu'ils ne soient spécifiquement recommandés dans ce Guide du propriétaire.** Tout non-respect de cet avertissement peut entraîner des blessures graves, un incendie, l'électrocution, ou la mort.
- **Pour réduire le risque d'électrocution, n'installez jamais la sècheuse dans un espace humide.** Tout non-respect de cet avertissement peut entraîner des blessures graves, un incendie, l'électrocution, ou la mort.
- **N'installez pas l'appareil à proximité d'un article chauffant, tel qu'un poêle ou un four.** Le défaut d'observer cette précaution peut causer une déformation, de la fumée ou un incendie.
- **Ne placez pas de chandelle ou cigarettes sur le dessus du produit.** Le défaut d'observer cette précaution peut causer une déformation, de la fumée ou un incendie.
- **Retirez toute la pellicule protectrice en vinyle du produit.** Le défaut d'observer cette précaution peut causer une déformation, de la fumée ou un incendie.
- **Reliez à un circuit électrique protégé, correctement dimensionné et à la bonne tension pour éviter toute surcharge électrique.** Un mauvais circuit électrique peut fondre, en créant un danger d'électrocution et/ou d'incendie.
- **Retirez toutes pièces d'emballage et éliminez tous les matériaux d'expédition correctement.** Tout non-respect de ces instructions peut entraîner la mort, une explosion, un incendie, ou des brûlures.
- **Pour une installation dans un garage, installez la sècheuse à au moins 46 cm (18 po) au dessus du plancher.** Tout non-respect de ces instructions peut entraîner la mort, une explosion, un incendie, ou des brûlures.
- **Conservez les matériaux d'emballage hors de la portée des enfants.** Les matériaux d'emballage peuvent être dangereux pour les enfants. Ils font courir un risque de suffocation.

# IMPORTANTES INSTRUCTIONS DE SÉCURITÉ

## LISEZ TOUTES LES DIRECTIVES AVANT D'UTILISER L'APPAREIL

**⚠ AVERTISSEMENT** Pour votre sécurité, vous devez suivre l'information contenue dans ce manuel afin de réduire les risques d'incendie et d'explosion, de choc électrique ainsi que pour éviter les dommages matériels, les blessures corporelles, ou un décès.

### PRÉCAUTIONS DE SÉCURITÉ POUR L'INSTALLATION

Système d'évacuation d'air/Conduit :

- L'air des sècheuses à gaz **DOIT** être évacué à l'extérieur. Tout non-respect de ces instructions peut entraîner un incendie ou la mort.
- Il faut évacuer également l'air des sècheuses à l'extérieur pour empêcher toute accumulation de grande quantité d'humidité et de charpie à l'intérieur de la pièce. Une accumulation de charpie dans une partie de la maison peut entraîner un danger d'incendie et de maladie.
- Utilisez uniquement un conduit métallique rigide ou flexible de 101 mm (4 po) de diamètre à l'intérieur de l'armoire de la sècheuse ou pour l'évacuation de l'air vers l'extérieur. L'utilisation de conduit de plastique ou d'autre de type combustible risque de provoquer un incendie. Un conduit perforé peut provoquer un incendie s'il s'affaisse ou se bloque partiellement en cours d'utilisation ou lors de l'installation.
- Les pièces pour monter le système de conduits ne sont pas fournies avec la sècheuse. Il sera nécessaire d'obtenir les pièces sur place. La sortie extérieure doit être munie d'une grille à registre ou à clapet pour empêcher tout refoulement d'air lorsque la sècheuse ne fonctionne pas. Tout non-respect de ces instructions peut entraîner un incendie ou la mort.
- Le conduit d'évacuation d'air doit mesurer 4 po (10.2 cm) de diamètres sans obstructions. On doit le maintenir aussi court que possible. Assurez-vous de nettoyer tout vieux conduit avant d'installer votre nouvelle sècheuse. Tout non-respect de ces instructions peut entraîner un incendie ou la mort.
- Des conduits métalliques rigides ou semi-rigides sont recommandés entre le mur et la sècheuse. Lors d'installation spéciale où il est impossible d'effectuer le raccord avec les matériaux recommandés, utilisez un conduit métallique flexible de transition homologué par les ULC uniquement pour le raccord entre la sècheuse et le mur. L'utilisation de ce type de conduit influencera le temps de séchage. Tout non-respect de ces instructions peut entraîner un incendie ou la mort.
- N'utilisez PAS de vis à tôle ou autres types d'attaches qui pénétreraient dans le conduit et pourraient retenir les charpies et réduire ainsi l'efficacité du système d'évacuation d'air. Fixez et scellez tous les raccords avec du ruban à conduit. Pour de plus amples détails, suivez les instructions d'installation. Tout non-respect de ces instructions peut entraîner un incendie ou la mort.

### CONSIGNE DE SECURITE POUR LES FONCTIONS VAPEUR

**⚠ AVERTISSEMENT :** Afin de réduire les risques d'incendie, de choc électrique, ou les blessures corporelles lorsque vous utilisez des électroménagers, vous devez toujours suivre les précautions de base, y compris ce qui suit :

- Ne pas ouvrir la porte de la sècheuse pendant les cycles vapeur. Le non-respect de ces règles peut entraîner des risques de brûlures.
- Ne pas toucher le dessus de la sècheuse pendant le cycle. Le non-respect de ces règles peut entraîner des risques de brûlures.
- Ne pas sécher des articles ayant été nettoyés, lavés, trempés ou tachés par les composés suivants : essence, solvants de nettoyage à sec ou toute autre substance inflammable ou explosive. Ces substances peuvent produire des vapeurs potentiellement inflammables ou explosives. Le non-respect de ces règles peut entraîner des risques d'incendies ou la mort.
- Ne pas remplir l'alimentation de vapeur avec de l'essence, des solvants de nettoyage à sec ou d'autres substances inflammables ou explosives. Le non-respect de ces règles peut entraîner des risques d'incendies ou la mort.
- Ne pas toucher l'injecteur de vapeur dans le tambour pendant ou à la fin du cycle vapeur. Le non-respect de ces règles peut entraîner des risques de brûlures.
- Ne pas remplir l'alimentation de vapeur avec de l'eau chaude (au-dessus de 86°F / 30°C). Le non-respect de ces règles peut entraîner des risques de brûlures.



# IMPORTANTES INSTRUCTIONS DE SÉCURITÉ

## LISEZ TOUTES LES DIRECTIVES AVANT D'UTILISER L'APPAREIL

**⚠ AVERTISSEMENT** Pour votre sécurité, vous devez suivre l'information contenue dans ce manuel afin de réduire les risques d'incendie et d'explosion, de choc électrique ainsi que pour éviter les dommages matériels, les blessures corporelles, ou un décès.

## INSTRUCTIONS DE SÉCURITÉ POUR LA RACCORDEMENT À L'ÉLECTRICITÉ

**⚠ AVERTISSEMENT :** Afin de réduire les risques d'incendie, de choc électrique, ou les blessures corporelles lorsque vous utilisez des électroménagers, vous devez toujours suivre les précautions de base, y compris ce qui suit :

- **Ne coupez et ne retirez dans aucun cas la broche de mise à la terre du cordon d'alimentation.** Branchez le cordon d'alimentation électrique dans une prise bien mise à la terre pour éviter des blessures corporelles ou des dommages à la sècheuse.
- **Pour votre sécurité personnelle, cette sècheuse doit être correctement mise à la terre.** Tout non-respect de cet avertissement peut entraîner des blessures ou l'électrocution.
- **Reportez-vous aux directives d'installation de ce manuel pour la tension et fréquence exigées particulières à votre modèle.** Tout non-respect de ces instructions peut entraîner une électrocution et/ou un incendie.
- **Cette sècheuse doit être branchée à une prise correctement mise à la terre. Si la sècheuse n'est pas correctement mise à terre, il peut en entraîner une électrocution. Faites vérifier la prise murale et le circuit électrique par un électricien qualifié afin d'assurer leur mise à la terre correcte.** Tout non-respect de ces instructions peut entraîner une électrocution et/ou un incendie.
- **La sècheuse doit toujours être branchée sur une prise électrique distincte qui fournit une tension nominale correspondant à celle inscrite sur la plaque signalétique.** Ce branchement permet de fournir le meilleur rendement et permet aussi d'éviter la surcharge du circuit électrique domestique, ce qui pourrait entraîner un risque d'incendie en raison de la surchauffe des fils électriques.
- **Ne débranchez jamais la sècheuse en tirant sur le cordon d'alimentation. Tenez toujours fermement la fiche électrique et retirez directement de la prise.** Le cordon d'alimentation peut être endommagé, ce qui peut entraîner un danger d'électrocution ou d'incendie.
- **Réparez ou remplacez immédiatement tout cordon d'alimentation effiloché ou endommagé de quelque manière que ce soit. N'utilisez pas de cordon d'alimentation qui affiche des traces de fissures ou d'éraflures sur sa longueur ou aux extrémités.** Le cordon d'alimentation peut fondre, ce qui peut entraîner un danger d'électrocution ou d'incendie.
- **Lors de l'installation ou du déplacement de la sècheuse, attention de ne pas pincer, écraser, ou endommager le cordon d'alimentation.** Cela empêchera des blessures corporelles ou des dommages à votre sècheuse, occasionnés par un incendie ou une électrocution.

**CONSERVEZ CES DIRECTIVES**

# PIÈCES ET CARACTÉRISTIQUES

## CARACTÉRISTIQUES SPÉCIALES

### 1 PANNEAU DE COMMANDE CONVIVAL

Faites pivoter le bouton sélecteur de cycle au cycle désiré. Ajoutez des options ou ajustez les paramètres de cycles au moyen d'une simple touche.

### 2 PORTE RÉVERSIBLE À ACCÈS FACILE

Une porte à grande ouverture facilite l'accès au chargement et déchargement de l'appareil. Il est possible d'inverser l'ouverture de la porte en fonction de l'emplacement de l'appareil.

### 3 TAMBOUR D'ACIER INOXYDABLE À CAPACITÉ ULTRA AVEC ÉCLAIRAGE DU TAMBOUR

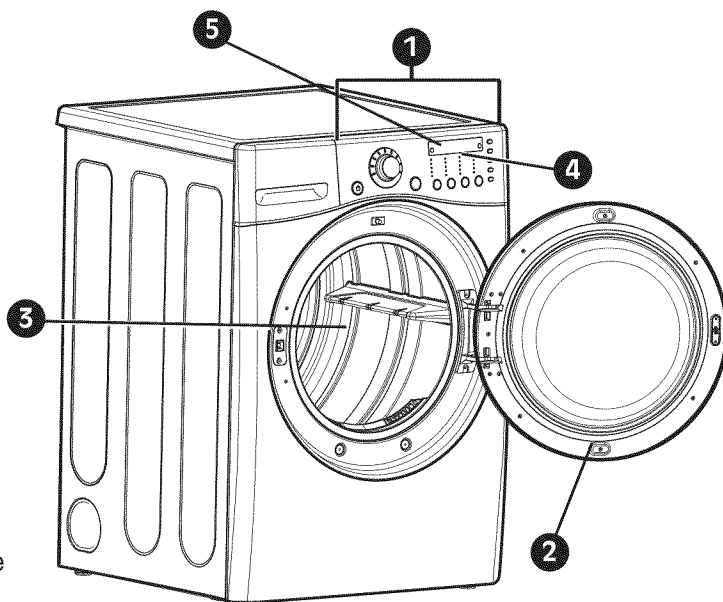
Le tambour d'acier inoxydable ultra grand offre une durabilité supérieure. Il est doté d'une lumière qui s'allume lorsque la porte de la sècheuse est ouverte et s'éteint avec la fermeture de celle-ci.

### 4 FONCTIONS VAPEUR PRATIQUES

La nouvelle technologie à vapeur de LG vous permet d'envoyer un jet de vapeur tourbillonnante dans les tissus dans le but de rafraîchir les vêtements, de réduire l'électricité statique et de faciliter le repassage. Sélectionnez simplement le cycle STEAM FRESH<sup>MC</sup>. Vous pouvez également ajouter une option Vapeur aux cycles sélectionnés.

### 5 SYSTÈME DE DÉTECTION DES BLOCAGES DANS LE CONDUIT D'ÉVACUATION/LE FILTRE FLOW SENSE<sup>MC</sup>

Le système de détection des blocages dans le conduit d'évacuation/le filtre FLOW SENSE<sup>MC</sup> détecte et indique les blocages dans le filtre et le conduit d'évacuation qui réduisent le flux d'air dans le conduit de la sècheuse. Ce dispositif vous alerte sur les configurations qui limitent de manière importante l'efficacité du sècheur, réduisant de ce fait des durées de cycle et des coûts de fonctionnement résultant du blocage des dispositifs d'échappement.



# PIÈCES ET CARACTÉRISTIQUES

## COMPOSANTES ET PIÈCES PRINCIPALES

En plus des composantes et caractéristiques spéciales détaillées dans la section *Caractéristiques spéciales*, ce manuel fait référence à de nombreuses autres composantes importantes.

### 1 FILTRE À CHARPIE EN FAÇADE

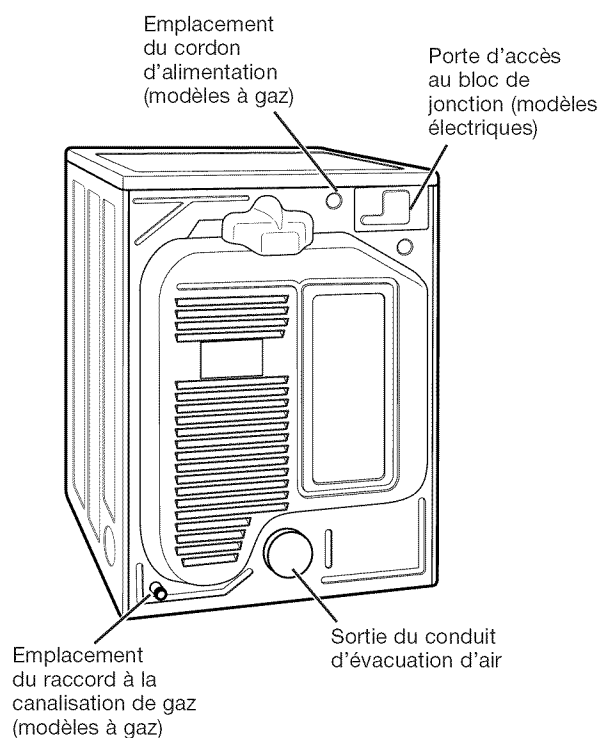
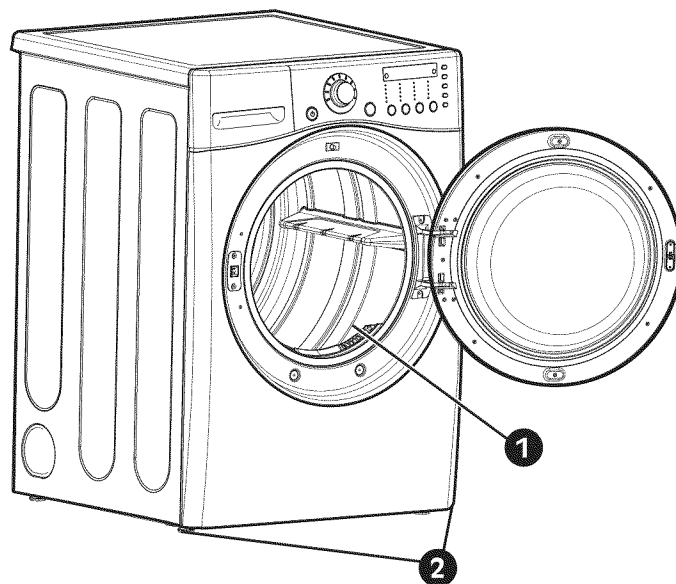
Le filtre à fibres monté à l'avant permet un accès facile pour le nettoyage entre les charges.

### 2 PIEDS DE NIVELLEMENT

Quatre pieds de nivellement (deux à l'avant et deux à l'arrière) sont réglables pour améliorer la stabilité de la sècheuse sur un plancher inégal.

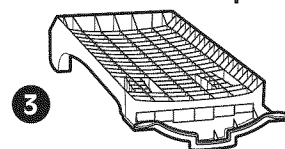
### 3 GRILLE DE SÉCHAGE

Utilisez la grille de séchage lors de l'utilisation du cycle RACK DRY (séchage sur panier). Il est alors possible de sécher des articles comme des gilets, des articles délicats et des chaussures de tennis à plat.



Dos de la sècheuse

### Accessoires compris



Grille de séchage

# INSTRUCTIONS D'INSTALLATION

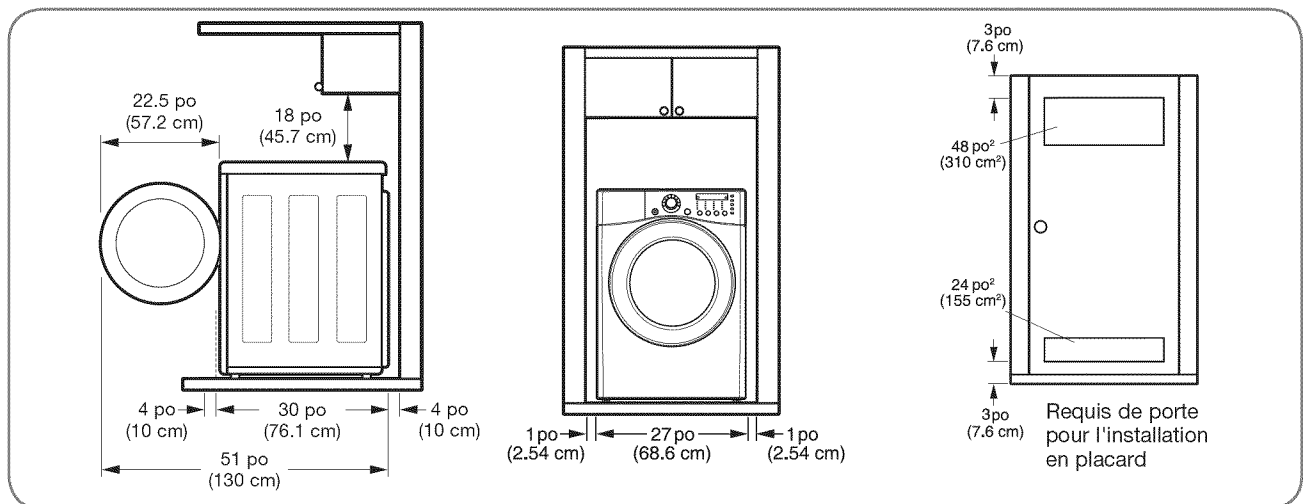
## IMPORTANT : Lire toutes les directives d'installation dans leur intégralité avant d'installer et d'utiliser votre sècheuse !

Il est important que vous lisiez ce manuel dans son intégralité avant d'installer et d'utiliser votre sècheuse. Vous retrouverez dans les pages qui suivent des directives détaillées pour les raccords électriques et de gaz, ainsi que les exigences en matière d'évacuation de l'air.

## CHOISIR LE BON EMPLACEMENT

- Entrez et installez la sècheuse à un endroit où elle ne sera pas exposée à des températures sous le point de congélation ou exposée aux intempéries.
- Sélectionnez un emplacement avec un plancher solide, à niveau.
- Lors de l'installation de la sècheuse dans un garage, placez-la à au moins 18 po (46 cm) au-dessus du plancher.
- Fournissez une mise à la terre électrique appropriée pour que le sècheur soit conforme à tous les codes et ordonnances électriques gouvernementales.
- Pour réduire le risque de choc électrique, n'installez pas la sècheuse dans un endroit humide ou mouillé.
- Si l'installation de l'appareil est prévue dans une maison mobile ou préfabriquée, reportez-vous à la rubrique *Exigences particulières pour les maisons mobiles ou préfabriquées*.

## DÉGAGEMENTS



- La plupart des installations exigent un minimum de 4 po (10 cm) de dégagement derrière la sècheuse pour le conduit d'évacuation.
- Laissez au moins 1 po (2,5 cm) de dégagement sur les côtés et au dos pour réduire la vibration et le niveau sonore.
- Un dégagement supplémentaire est recommandé pour faciliter l'installation et l'entretien.
- Assurez-vous de calculer suffisamment d'espace pour les moulures murales, de portes, ou de plancher qui peuvent augmenter les dégagements requis.
- Laissez au moins 24 po (61 cm) à l'avant de la sècheuse pour l'ouverture de la porte.

Directives supplémentaires pour une installation dans un placard :

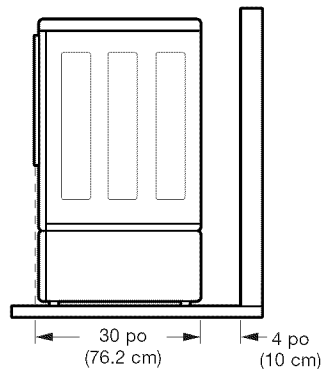
- La porte du placard doit permettre une ventilation suffisante. Reportez-vous au schéma ci-dessus pour les exigences d'ouverture minimale pour la ventilation. Une porte-persienne est également acceptable.
- Assurez-vous qu'il y ait un dégagement d'au moins 18 po (46 cm) au-dessus de la sècheuse.

# INSTRUCTIONS D'INSTALLATION

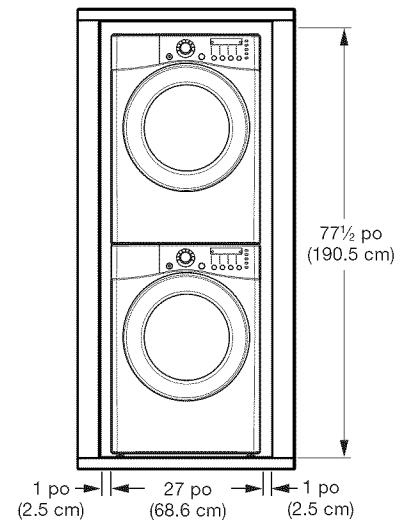
## INSTALLATIONS AVEC PIÉDESTAL OU TROUSSE D'EMPILAGE EN OPTION

**IMPORTANT :** Si vous installez la sècheuse avec le piédestal ou la trousse d'empilage en option, consultez la section *Accessoires en option* dans ce manuel ou la section des directives relatives à votre piédestal ou à votre trousse d'empilage avant de procéder à l'installation.

### Dimensions requises pour installation avec piédestal

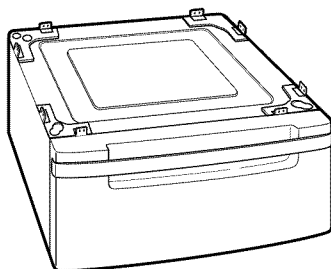


### Dimensions requises pour installation avec trousse d'empilage

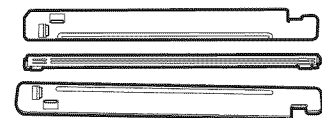


## ACCESSOIRES EN OPTION

Pour ces produits LG et les autres, contactez votre détaillant LG local ou visitez notre site Internet au [ca.lge.com](http://ca.lge.com).



*Piédestal  
(vendu séparément)*



*Trousse d'empilage  
(vendu séparément)*

# INSTRUCTIONS D'INSTALLATION

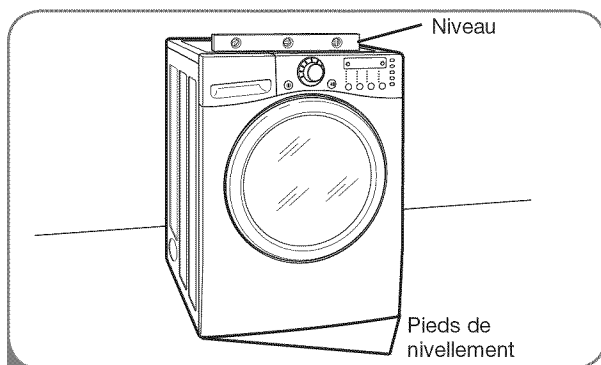
## MISE À NIVEAU DE LA SÉCHEUSE

### ⚠ AVERTISSEMENT

- Portez des gants durant l'installation.
- Le défaut d'observer cet avertissement peut être une cause de blessure.

Pour optimiser le rendement de l'appareil, la sècheuse doit être à niveau. Pour minimiser la vibration, le bruit, et les mouvements indésirables, le plancher doit être une surface solide et à niveau. Il ne devrait pas y avoir plus de 1" de différence de hauteur sur le plancher entre l'avant et l'arrière ou d'un côté à l'autre.

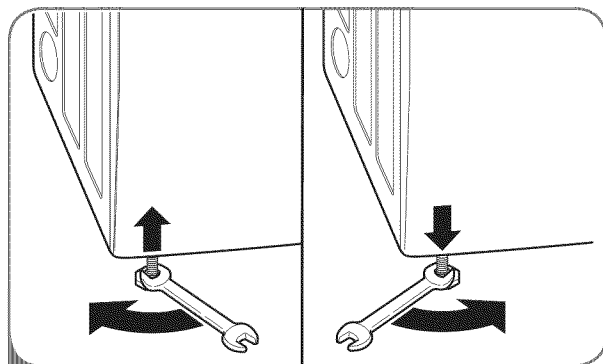
**REMARQUE :** Ajustez les pieds de nivellement seulement pour répondre aux besoins de mise à niveau de la sècheuse. Les étendre plus qu'il est nécessaire pourrait provoquer des vibrations.



- 1 Placez la sècheuse à l'endroit où elle demeurera. Placez un niveau en travers de la surface de la sècheuse.

- Les quatre pieds de nivellement doivent reposer solidement sur le plancher. Appuyez délicatement sur les coins supérieurs de la sècheuse pour vous assurer qu'elle ne balance pas d'un coin à l'autre.

Si vous installez la sècheuse sur le piédestal en option, vous devez utiliser les pieds de nivellement du **piédestal** pour mettre la sècheuse au niveau. Rétractez entièrement les pieds de nivellement de la sècheuse.

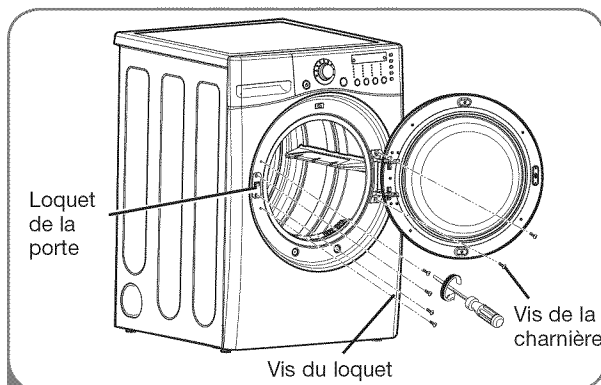


- 2 Utilisez une clé à molette pour tourner les pieds de nivellement. Tournez dans le sens horaire pour élever la sècheuse ou dans le sens antihoraire pour l'abaisser. Élevez ou abaissez les pieds jusqu'à ce que la sècheuse soit à niveau d'un côté à l'autre et de l'avant à l'arrière.

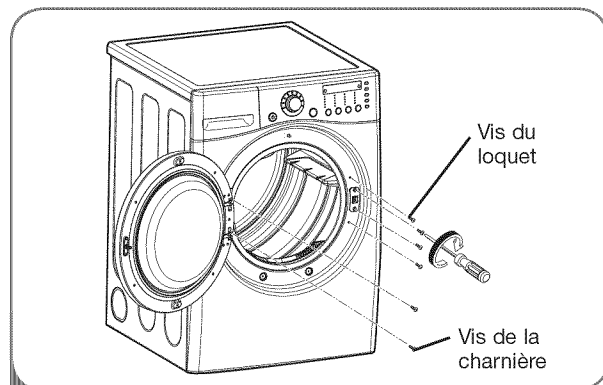
Assurez-vous que les 4 pieds de nivellement sont en contact ferme avec le plancher.

## INVERSION DE L'OSCILLATION DE LA PORTE

L'oscillation de la porte de la sècheuse s'inverse pour s'adapter à l'emplacement de l'appareil. Aucune pièce supplémentaire n'est nécessaire.



- 1 Ouvrez la porte de la sècheuse. Avec un tournevis cruciforme (Phillips), dévissez les 2 vis qui retiennent la charnière de la porte au coffrage de l'appareil. Dévissez les 4 vis du côté du loquet de la porte sur le coffrage et retirez le loquet.



- 2 Tournez la porte de sorte que la charnière soit inversée et réattachez-la avec les 2 vis retirées au préalable. Installez le loquet de la porte de l'autre côté, insérez et vissez les 4 vis. Testez l'oscillation de la porte pour vous assurer qu'elle se déplace librement et se verrouille correctement.

# INSTRUCTIONS D'INSTALLATION

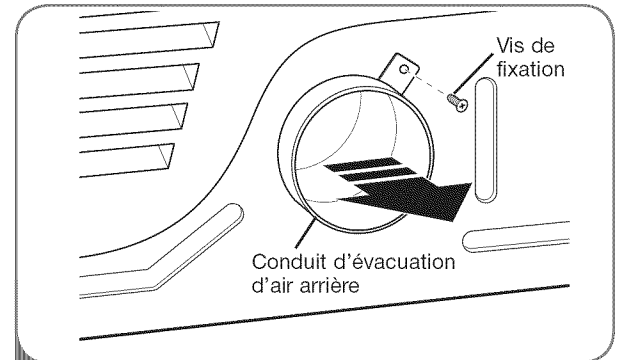
## MODIFICATION DE L'EMPLACEMENT DE LA SORTIE D'AIR

### ⚠ AVERTISSEMENT

- Utiliser un évent en métal robuste.
- Ne pas utiliser de conduit en plastique ou en aluminium.
- Nettoyer les anciens conduits avant l'installation de la sècheuse. Portez des gants durant l'installation.
- Si ces instructions ne sont pas observées cela peut causer un incendie ou la mort.

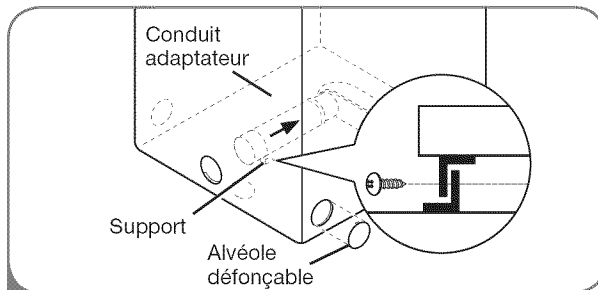
Votre nouvelle sècheuse est livrée avec une sortie d'air arrière. Il est possible d'en modifier la position pour obtenir une sortie d'air sous l'appareil ou sur le côté (la sortie d'air sur le côté droit n'est pas offerte sur les modèles à gaz).

Une trousse de conversion, pièce no 383EEL9001B, est offerte chez votre détaillant LG. L'ensemble comprend les éléments nécessaires pour modifier l'emplacement du conduit de la sortie d'air.

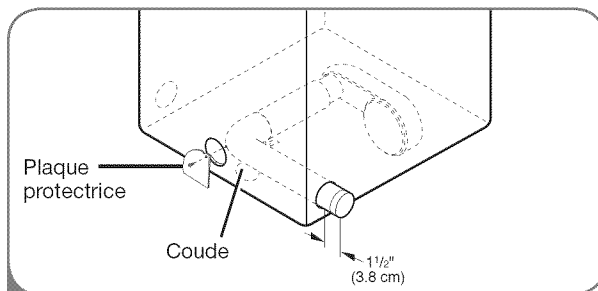


- 1 Dévissez la vis de fixation du conduit d'évacuation d'air arrière. Tirez sur le conduit pour le faire sortir.

### OPTION 1 : Sortie d'air latérale

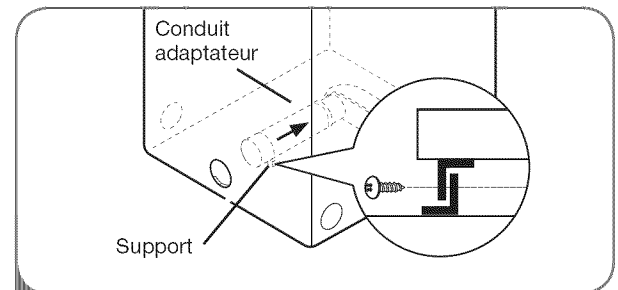


- 2 Appuyez sur les languettes de l'alvéole défonçable et retirez soigneusement la pièce pour dégager l'ouverture voulue (la sortie d'air sur le côté droit n'est pas offerte sur les modèles à gaz). Insérez le conduit adaptateur dans le boîtier de ventilateur et fixez-le à la base de la sècheuse comme indiqué.

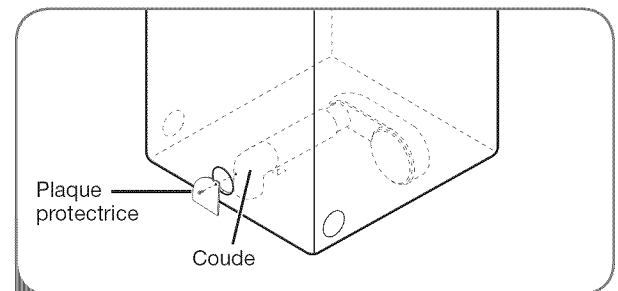


- 3 Préassemblez un coude de 4 po (10 cm) de diamètre à la prochaine section de conduit de 4 po (10 cm) et fixez solidement tous les raccords avec du ruban à conduit. Assurez-vous que l'extrémité mâle du coude fait face à L'OPPOSÉ de la sècheuse. Insérez l'ensemble coude/conduit dans l'ouverture latérale et enfoncez-le dans le conduit adaptateur. Fixez solidement en position avec du ruban à conduit. Assurez-vous que l'extrémité mâle du conduit dépasse d'environ 1 1/2 po (3,8 cm) pour le raccorder au système de conduits. Fixez la plaque protectrice au dos de la sècheuse avec la vis fournie.

### OPTION 2 : Sortie d'air inférieure



- 2 Insérez le conduit adaptateur dans le boîtier de ventilateur et fixez-le à la base de la sècheuse comme indiqué.



- 3 Insérez le coude de 4 po (10 cm) de diamètre dans l'ouverture arrière et enfoncez-le dans le conduit adaptateur. Assurez-vous que l'extrémité mâle du coude soit face au bas par le trou au fond de la sècheuse. Fixez solidement en position avec du ruban à conduit. Fixez la plaque protectrice au dos de la sècheuse avec la vis fournie.

# INSTRUCTIONS D'INSTALLATION

## VENTILATION DE LA SÈCHEUSE

**⚠ AVERTISSEMENT :** Afin de réduire les risques d'incendie, de choc électrique, ou les blessures corporelles lorsque vous utilisez des électroménagers, vous devez toujours suivre les précautions de base, y compris ce qui suit :

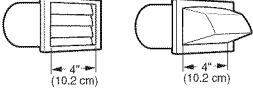
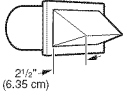
- **N'écrasez pas et ne laissez pas le système de conduits s'affaisser.** Tout non-respect de ces instructions peut entraîner un incendie ou la mort.
- **Ne laissez pas le système de conduits reposer contre ou toucher des objets tranchants.** Tout non-respect de ces instructions peut entraîner un incendie ou la mort.
- **Dans le cas d'un raccord à un système de conduits existant, assurez-vous qu'il convient à cet effet et qu'il est propre avant d'installer la sècheuse.** Tout non-respect de ces instructions peut entraîner un incendie ou la mort.
- **Le système d'évacuation d'air doit être conforme aux codes du bâtiment locaux en vigueur.** Tout non-respect de ces instructions peut entraîner un incendie ou la mort.
- **L'air des sècheuses à gaz DOIT être évacué à l'extérieur.** Tout non-respect de ces instructions peut entraîner un incendie ou la mort.
- **Utilisez uniquement des conduits métalliques rigides ou flexibles de 4 po (10.2 cm) de diamètre à l'intérieur de l'armoire de la sècheuse et pour la ventilation extérieure.** Tout non-respect de ces instructions peut entraîner un incendie ou la mort.
- **Pour réduire le risque d'incendie, de combustion, ou d'accumulation de gaz combustibles, N'acheminez PAS le conduit d'évacuation d'air de la sècheuse dans un endroit clos sans ventilation comme un grenier, un mur, un plafond, une galerie technique, une cheminée, un conduit d'évacuation de la combustion de gaz ou un espace dissimulé d'un édifice.** Tout non-respect de ces instructions peut entraîner un incendie ou la mort.
- **Pour réduire le risque d'incendie, N'évacuez PAS l'air de la sècheuse par un conduit de plastique ou en aluminium mince.** Tout non-respect de ces instructions peut entraîner un incendie ou la mort.
- **Le conduit d'évacuation d'air doit mesurer 4 po (10.2 cm) de diamètres sans obstructions. On doit le maintenir aussi court que possible. Assurez-vous de nettoyer tout vieux conduit avant d'installer votre nouvelle sècheuse.** Tout non-respect de ces instructions peut entraîner un incendie ou la mort.
- **Des conduits métalliques rigides ou semi-rigides sont recommandés entre le mur et la sècheuse. Lors d'installation spéciale où il est impossible d'effectuer le raccord avec les matériaux recommandés, utilisez un conduit métallique flexible de transition homologué par les ULC uniquement pour le raccord entre la sècheuse et le mur. L'utilisation de ce type de conduit influencera le temps de séchage.** Tout non-respect de ces instructions peut entraîner un incendie ou la mort.
- **N'utilisez PAS de vis à tôle ou autres types d'attaches qui pénétreraient dans le conduit et pourraient retenir les charpies et réduire ainsi l'efficacité du système d'évacuation d'air. Fixez et scellez tous les raccords avec du ruban à conduit.** Tout non-respect de ces instructions peut entraîner un incendie ou la mort.
- **Pour optimiser les résultats de fonctionnement de l'appareil, observez les restrictions de longueur de conduit décrites dans le tableau en page 55.** Tout non-respect de ces instructions peut entraîner un incendie ou la mort.
- **Les pièces pour monter le système de conduits ne sont pas fournies avec la sècheuse. Il sera nécessaire d'obtenir les pièces sur place. La sortie extérieure doit être munie d'une grille à registre ou à clapet pour empêcher tout refoulement d'air lorsque la sècheuse ne fonctionne pas.** Tout non-respect de ces instructions peut entraîner un incendie ou la mort.
- **La longueur totale du conduit en métal flexible ne doit pas dépasser 2,4 m.**
- **Au Canada, en cas d'utilisation d'un conduit flexible de type feuille métallique, celui-ci doit être spécifiquement identifié par le fabricant comme convenant à une utilisation avec un sèche-linge.** Aux États-Unis, en cas d'utilisation d'un conduit flexible de type feuille métallique, celui-ci doit être spécifiquement identifié par le fabricant comme convenant à une utilisation avec une sècheuse et doit être conforme à la "Outline for Clothes Dryer Transition Duct" (Directive pour les conduits de transition des sècheuses), sujet 2158A.



# INSTRUCTIONS D'INSTALLATION

## VENTILATION DE LA SÈCHEUSE (suite)

### Systeme d'évacuation d'air

Type de sortie murale externe	Nombre de coudes de 90°	Longueur max. de 4 po (10.2 cm) de diamètre conduit métallique rigide
Recommandé 	0	65 pi (19,8 m)
	1	55 pi (16,8 m)
	2	47 pi (13,7 m)
	3	36 pi (11,0 m)
	4	28 pi (8,5 m)
Utilisez seulement pour les trajets courts 	0	55 pi (16,8 m)
	1	47 pi (13,7 m)
	2	41 pi (12,5 m)
	3	30 pi (9,1 m)
	4	22 pi (6,7 m)

**REMARQUE :** Déduisez 6 pi (1,8 m) pour chaque coude supplémentaire. Il n'est pas recommandé d'utiliser plus de quatre coudes de 90°.

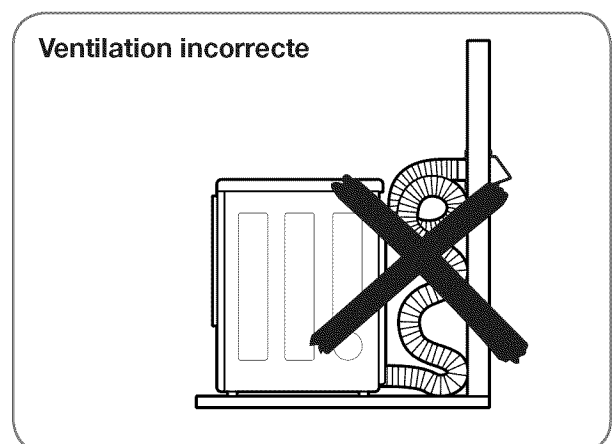
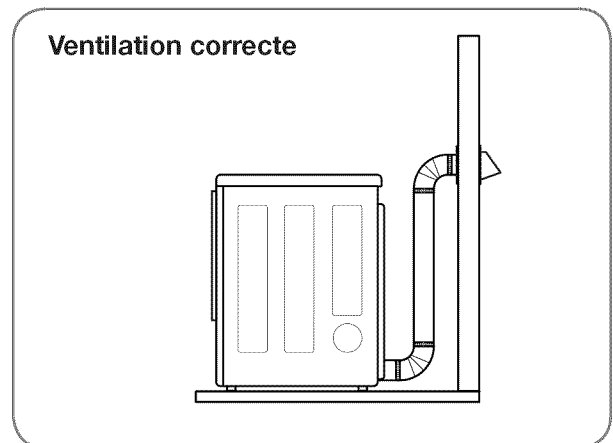
### Acheminement et raccord du système d'évacuation d'air

Suivez les lignes directrices ci-dessous pour optimiser le rendement de l'appareil et réduire l'accumulation de charpies et de condensation dans les conduits.

**REMARQUE :** Les conduits et raccords NE sont PAS compris, achetez-les séparément.

- Utilisez des conduits métalliques rigides ou semi-rigides de 4 po (10.2 cm) de diamètre.
- On doit maintenir le conduit d'évacuation d'air aussi court que possible.
- Autant que possible, limitez le nombre de coudes.
- L'extrémité mâle de chaque section du système de conduits **doit** pointer à l'opposé de la sècheuse.
- Utilisez du ruban à conduit sur tous les raccords.
- Isolez les conduits qui passent dans des aires non chauffées pour réduire la condensation et l'accumulation de charpies sur les surfaces des conduits.

**IMPORTANT :** Toute intervention du service après-vente ou défaillance du sècheur qui résulterait d'un non respect des instructions de ce manuel, ou si les dispositifs d'échappement sont restreints, ne seraient pas couvertes par la garantie du sècheur puisque ceux-ci ne constituent pas un défaut de fabrication.



# INSTRUCTIONS D'INSTALLATION

## RACCORDEMENT DES SÉCHEUSES À GAZ

**⚠ AVERTISSEMENT :** Afin de réduire les risques d'incendie, de choc électrique, ou les blessures corporelles lorsque vous utilisez des électroménagers, vous devez toujours suivre les précautions de base, y compris ce qui suit :

- **Alimentation en gaz requis :**  
La sécheuse est expédiée de l'usine prête pour l'utilisation de gaz naturel. Elle peut être convertie pour une utilisation avec du gaz de PL (propane liquide). La pression du gaz ne doit pas dépasser 13 po (33 cm) de colonne d'eau.
- **Un technicien de service qualifié ou du fournisseur de gaz doit raccorder la sécheuse à l'alimentation de gaz.** Tout non-respect de ces instructions peut entraîner un incendie, une explosion, ou la mort.
- **Isolez la sécheuse du système d'alimentation en gaz en fermant à la main la propre soupape de fermeture de l'appareil lors de tout essai de pression de l'alimentation en gaz.** Tout non-respect de ces instructions peut entraîner un incendie, une explosion, ou la mort.
- **Conduit d'alimentation requis :** La salle de lavage doit être munie d'un tuyau d'alimentation en gaz naturel rigide vers la sécheuse. Aux États-Unis, une soupape de fermeture manuelle distincte DOIT être installée à au moins 6 pi (1,8 m) de la sécheuse en conformité à la norme ANSI Z223.1 du code national des gaz combustibles ou la norme CSA B149.1 du code canadien pour l'installation de gaz. Veillez à installer un bouchon de canalisation NPT de 1/8 po (3,1 mm). Tout non-respect de ces instructions peut entraîner un incendie, une explosion, ou la mort.
- **Dans le cas de l'utilisation d'un tuyau rigide, le raccord doit être de 1/2 po (12,7 mm) IPS.** Si les codes et règlements locaux l'autorisent et que le fournisseur de gaz l'accepte, utilisez une tubulure de 3/8 po (9,5 mm) homologuée lorsque les distances sont de moins de 20 pi (6,1 m). Un tubulure de plus grand diamètre devrait être utilisée pour des longueurs dépassant le 20 pi (6,1 m). Tout non-respect de ces instructions peut entraîner un incendie, une explosion, ou la mort.
- **Raccordez la sécheuse au type de gaz indiqué sur la plaque signalétique.** Tout non-respect de ces instructions peut entraîner un incendie, une explosion, ou la mort.
- **Pour éviter toute contamination de la soupape de fermeture de l'alimentation en gaz, purgez le tuyau d'alimentation de tout air et sédiments avant de le raccorder à la sécheuse. Avant de serrer les raccords entre l'alimentation en gaz et la sécheuse, purgez l'air restant jusqu'à ce que vous déceliez une odeur de gaz.** Tout non-respect de ces instructions peut entraîner un incendie, une explosion, ou la mort.
- **N'utilisez PAS de flamme nue pour rechercher toute trace de fuites. Utilisez un liquide de détection de fuites à l'épreuve de la corrosion.** Tout non-respect de ces instructions peut entraîner un incendie, une explosion, ou la mort.
- **Utilisez uniquement un nouveau tuyau d'alimentation en gaz homologué AGA ou CSA avec des raccords en acier inoxydable.** Tout non-respect de ces instructions peut entraîner un incendie, une explosion, ou la mort.
- **Serrez solidement tous les raccords de gaz.** Tout non-respect de ces instructions peut entraîner un incendie, une explosion, ou la mort.
- **Enroulez du ruban de Teflon® ou appliquez de la pâte pour joints insoluble dans du gaz de pétrole liquéfié (PL) sur tous les filetages. Ne pas employer la combinaison tuyau-joint sur tout autre type de raccord ou de joint, tels que les garnitures de fusée sur les lignes flexibles de connecteur de gaz.** Tout non-respect de ces instructions peut entraîner un incendie, une explosion, ou la mort.
- **N'essayez PAS de démonter la sécheuse. En effet, tout démontage exige l'attention et les outils d'un technicien de service ou d'une entreprise qualifié(e) et autorisé(e).** Tout non-respect de ces instructions peut entraîner un incendie, une explosion, ou la mort.

*Tension et fréquences exigés uniquement pour les modèles à gaz*

**⚠ AVERTISSEMENT :** Afin de réduire les risques d'incendie, de choc électrique ou les blessures corporelles lorsque vous utilisez des électroménagers, vous devez toujours suivre les précautions de base, y compris ce qui suit :

- **Ne coupez et ne retirez dans aucun cas la troisième broche de mise à la terre du cordon d'alimentation.** Tout non-respect de ces instructions peut entraîner un incendie, une explosion, ou la mort.
- **Pour votre sécurité personnelle, cette sécheuse doit être correctement mis à la terre.** Tout non-respect de ces instructions peut entraîner un incendie, une explosion, ou la mort.
- **Cette sécheuse est muni d'un cordon d'alimentation doté d'une fiche à prise de terre à trois broches qui se branche sur une prise triphasée murale standard correspondante afin de minimiser le risque de choc électrique.** Tout non-respect de ces instructions peut entraîner un incendie, une explosion, ou la mort.
- **Cette sécheuse doit être branchée dans une prise mise à la terre de 120 volts en c.a. à 60 Hz protégée par un fusible ou un disjoncteur de 15 ampères. Un circuit de branche seulement pour cette sécheuse est recommandé.** Tout non-respect de ces instructions peut entraîner un incendie, une explosion, ou la mort.
- **Si vous avez une prise murale standard à deux fiches, il est de votre responsabilité et obligation de la faire remplacer par une prise murale triphasée.** Tout non-respect de ces instructions peut entraîner un incendie, une explosion, ou la mort.

# INSTRUCTIONS D'INSTALLATION

## RACCORDEMENT DES SÉCHEUSES À GAZ (suite)

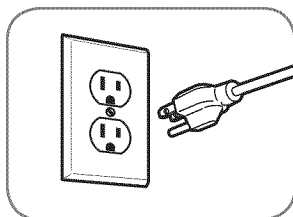
**⚠ AVERTISSEMENT :** Afin de réduire les risques d'incendie, de choc électrique, ou les blessures corporelles lorsque vous utilisez des électroménagers, vous devez toujours suivre les précautions de base, y compris ce qui suit :

- **L'installation et l'entretien doivent être effectués par un installateur qualifié, une agence de service, ou le fournisseur de gaz.** Tout non-respect de ces instructions peut entraîner un incendie, une explosion, ou la mort.
- **Utilisez uniquement un tuyau flexible neuf en acier inoxydable et un nouveau raccord homologué par la AGA américaine.** Tout non-respect de ces instructions peut entraîner un incendie, une explosion, ou la mort.
- **Installez une soupape de fermeture de l'alimentation en gaz à moins de 6 pi (1,8 m) de la sécheuse.** Tout non-respect de ces instructions peut entraîner un incendie, une explosion, ou la mort.
- **Assurez-vous que la sécheuse soit dotée de la buse de brûleur correcte pour le type de gaz qui sera utilisé (gaz naturel ou gaz de pétrole liquéfiés). La sécheuse est livrée prête pour une utilisation avec du gaz naturel.** Tout non-respect de ces instructions peut entraîner un incendie, une explosion, ou la mort.
- **Le cas échéant, l'installation de la bonne buse (commandez la pièce no 4948EL4002B pour la trousse de conversion de buse PL) doit être effectuée par un technicien qualifié et la modification annotée sur la sécheuse.** Tout non-respect de ces instructions peut entraîner un incendie, une explosion, ou la mort.
- **Tous les raccords doivent être en conformité avec tous les codes et règlements locaux applicables.** Tout non-respect de ces instructions peut entraîner un incendie, une explosion, ou la mort.
- **L'air des sécheuses à gaz DOIT être évacué à l'extérieur.** Tout non-respect de ces instructions peut entraîner un incendie, une explosion, ou la mort.

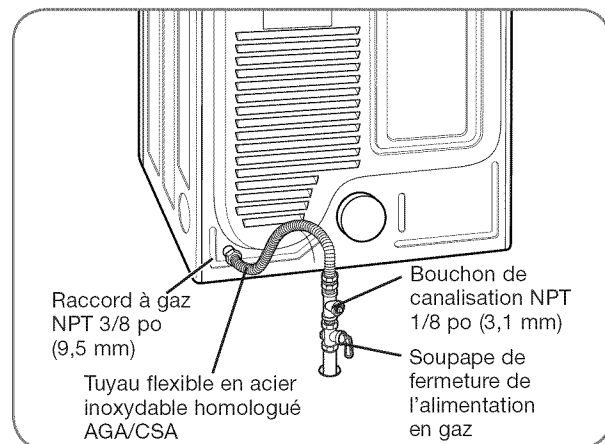
### Raccordement de l'alimentation en gaz

- 1 Assurez-vous que l'alimentation en gaz vers la salle de lavage soit bien **COUPÉE**. Confirmez que le type de gaz acheminé vers votre salle de lavage soit adéquat pour la sécheuse. L'appareil est prêt à fonctionner au gaz naturel avec un raccord NPT de 3/8 po (9,5 mm).
- 2 Retirez le capuchon d'expédition du raccord de gaz au dos de la sécheuse. Soyez prudent et n'endommagez pas le filetage du raccord de gaz lors du retrait du capuchon.
- 3 Raccordez la sécheuse au système d'alimentation en gaz de la salle de lavage avec un nouveau tuyau flexible en acier inoxydable avec raccord NPT de 3/8 po (9,5 mm) de diamètre.
- 4 Serrez solidement tous les raccords entre la sécheuse et le système d'alimentation en gaz de la salle de lavage. Ouvrez l'alimentation en gaz de la salle et vérifiez tous les raccords de la tuyauterie (autant internes qu'externes) pour toute trace de fuite de gaz avec un liquide de détection de fuites à l'épreuve de la corrosion.

### Branchement électrique



Branchez la sécheuse dans une prise triphasée de 120 volts de c.a. à 60 Hz.



### Installations en haute altitude

Le BTU nominal de cette sécheuse est homologué par l'AGA américaine pour une altitude sous les 10 000 pieds (3 048 mètres).

Dans le cas d'une installation de votre sécheuse à gaz à une altitude de plus de 10 000 pi (3 048 m), l'appareil doit être « dégonflé » (réduction) par un technicien qualifié ou le fournisseur de gaz.

# INSTRUCTIONS D'INSTALLATION

## RACCORDEMENT DES SÈCHEUSES ÉLECTRIQUES

**⚠AVERTISSEMENT :** Pour aider à empêcher des incendies, des électrocutions, des blessures graves, ou des décès, le câblage et la mise à la terre doivent se conformer à l'édition la plus récente du National Electrical Code, ANSI/NFPA 70 et à tous les règlements locaux en vigueur. Veuillez faire vérifier par un technicien qualifié que votre maison a une alimentation électrique suffisamment puissante pour faire fonctionner une sècheuse.

### *Tension et fréquences exigés uniquement pour les modèles électriques*

**⚠AVERTISSEMENT :** Afin de réduire les risques d'incendie, de choc électrique, ou les blessures corporelles lorsque vous utilisez des électroménagers, vous devez toujours suivre les précautions de base, y compris ce qui suit :

- Cette sècheuse doit être reliée à un réseau de filerie métallique permanent mis à la terre ou un conducteur de terre pour appareil doit passer avec les conducteurs du circuit et être relié à la borne ou au fil de terre sur la sècheuse. Tout non-respect de ces instructions peut entraîner un incendie, une explosion, ou la mort.
- La sècheuse comporte son propre bloc de jonction qui doit être relié à un circuit monophasé distinct de 240 volts à 60 Hz muni d'un fusible de 30 ampères (le circuit doit comporter des fusibles des deux côtés du fil). L'ALIMENTATION ÉLECTRIQUE DEVRAIT ÊTRE À LA TENSION NOMINALE MAXIMALE INDIQUÉE SUR LA PLAQUE SIGNALÉTIQUE DE LA SÈCHEUSE. NE LA RELIEZ PAS À UN CIRCUIT DE 110, 115, OU 120 VOLTS. Des éléments chauffants sont offerts, pour une installation sur le terrain, dans les cas où la sècheuse sera alimentée par un réseau électrique de tension différente de celle indiquée sur la plaque signalétique. Tout non-respect de ces instructions peut entraîner un incendie, une explosion, ou la mort.
- Si le circuit de dérivation vers la sècheuse est de 15 pi (4,5 m) ou moins de longueur, utilisez un fil no 10 AWG (uniquement en cuivre) homologué par les ULC (Laboratoires des assureurs du Canada) ou conformes aux exigences des codes locaux. Si la longueur est de plus de 15 pi (4,50 m), utilisez un fil no 8 AWG (uniquement en cuivre) homologué par les ULC (Laboratoires des assureurs du Canada) ou conformes aux exigences des codes locaux. Laissez suffisamment de jeu pour permettre de déplacer la sècheuse au besoin. Tout non-respect de ces instructions peut entraîner un incendie, une explosion, ou la mort.
- La queue de cochon pour la connexion du cordon d'alimentation entre le réceptacle mural et le bloc de jonction de la sècheuse N'EST PAS fournie avec l'appareil. Le type de queue de cochon et le calibre du fil doivent être conformes aux codes locaux et avec les directives des pages suivantes. Tout non-respect de ces instructions peut entraîner un incendie, une explosion, ou la mort.
- Une connexion à 4 fils est exigée pour toutes installations dans les maisons mobiles ou préfabriquées de même que pour toutes nouvelles constructions après le 1er janvier 1996. De plus, une connexion à 4 fils doit être utilisée dans les régions où les codes locaux interdisent la mise à la terre par un fil neutre. Tout non-respect de ces instructions peut entraîner un incendie, une explosion, ou la mort.

### *Exigences électriques particulières pour les maisons mobiles ou préfabriquées*

**⚠AVERTISSEMENT :** Afin de réduire les risques d'incendie, de choc électrique, ou les blessures corporelles lorsque vous utilisez des électroménagers, vous devez toujours suivre les précautions de base, y compris ce qui suit :

- Toute installation dans une maison mobile ou préfabriquée doit être conforme au chapitre 24 de la CFR, paragraphes 32-80 des normes américaines en matières de sécurité et de constructions de maison préfabriquée ou à la norme canadienne CAN/CSA0Z240 MH ainsi qu'aux codes et règlements locaux.
- Une connexion à 4 fils est exigée pour toutes installations dans les maisons mobiles ou préfabriquées de même que pour toutes nouvelles constructions après le 1er janvier 1996. Tout non-respect de ces instructions peut entraîner un incendie, une explosion, ou la mort.

# INSTRUCTIONS D'INSTALLATION

## EXIGENCES PARTICULIÈRES POUR LES MAISONS MOBILES OU PRÉFABRIQUÉES

Toute installation dans une maison mobile ou préfabriquée doit être conforme au chapitre 24 de la CFR, paragraphes 32-80 des normes américaines en matière de sécurité et de constructions de maison préfabriquée ou à la norme canadienne CAN/CSA02240 MH ainsi qu'aux codes et règlements locaux. En cas de doutes relatifs à la conformité de l'installation par rapport à ces normes, communiquez avec un professionnel en service et installation pour du soutien technique.

- Une sècheuse à gaz doit être définitivement fixée au plancher.
- La connexion électrique pour une sècheuse électrique doit comporter une connexion à 4 fils. Pour des renseignements plus détaillés en matière de connexions électriques, consultez la rubrique *Raccordement des sècheuses électriques*.
- Pour réduire le risque de combustion et d'incendie, la sècheuse doit être ventilée vers l'extérieur.
- NE ventilez PAS de sècheuse sous une maison mobile ou préfabriquée.
- Utilisez le panneau arrière, latéraux, ou inférieur pour ventiler une sècheuse électrique vers l'extérieur.
- Utilisez le panneau arrière, latéral gauche ou inférieur pour ventiler une sècheuse à gaz vers l'extérieur. Il est impossible de ventiler une

sècheuse à gaz vers l'extérieur par le panneau latéral droit en fonction de la présence du module du brûleur.

- Le conduit d'évacuation d'air de la sècheuse doit être solidement fixé à la structure de la maison mobile ou préfabriquée. Il doit être fabriqué d'une matière qui résistera aux flammes et à la combustion. Il est recommandé d'installer un conduit métallique rigide ou flexible.
- NE reliez PAS le conduit d'évacuation d'air à tout autre conduit, système de ventilation, cheminée, ou autre conduit d'évacuation d'air.
- Assurez-vous que la sècheuse dispose d'un accès adéquat à de l'air frais pour garantir un bon fonctionnement. L'ouverture pour l'apport d'air frais extérieur doit être d'au moins 25 po<sup>2</sup> (163 cm<sup>2</sup>).
- Il est important de maintenir un dégagement d'au moins 2 po (5 cm) de matières combustibles autour du conduit d'évacuation d'air lors de la ventilation de la sècheuse vers l'extérieur. De plus, la sècheuse doit comporter un dégagement de 1 po (2,5 cm) sur les côtés et au dos de la sècheuse.
- Souvenez-vous que les éléments du système de ventilation ne sont pas fournis avec la sècheuse. Veuillez vous procurer les pièces nécessaires pour une installation adéquate.

## VÉRIFICATION FINALE DE L'INSTALLATION

Une fois l'installation complète de la sècheuse dans sa position définitive, exécutez les essais suivants et l'évaluation de l'état du conduit d'évacuation sur la page suivant pour confirmer le fonctionnement correct de l'appareil.

### *Essai du module de chauffage de la sècheuse*

#### **MODÈLES À GAZ**

Fermez la porte de la sècheuse, appuyez sur le bouton de ON/OFF (mise en marche/arrêt) pour démarrer l'appareil réglé à un cycle de séchage à la chaleur. Au démarrage de la sècheuse, le dispositif d'allumage devrait enflammer le brûleur principal.

**REMARQUE :** Si de l'air est encore présent dans le tuyau d'alimentation en gaz, il est possible que l'allumeur s'éteigne avant que le brûleur principale ne s'enflamme. Dans ce cas, le dispositif d'allumage effectuera une seconde tentative après deux minutes.

#### **MODÈLES ÉLECTRIQUES**

Fermez la porte de la sècheuse, appuyez sur le bouton de ON/OFF (mise en marche/arrêt) pour démarrer l'appareil réglé à un cycle de séchage à la chaleur. L'air évacué devrait être chaud après un fonctionnement de 3 minutes.

### *Vérification du débit d'air*

Un fonctionnement effectif de la sècheuse exige un débit d'air adéquat. On peut mesurer l'efficacité du débit d'air en évaluant la pression statique à l'aide d'un manomètre. Placer un manomètre sur le conduit d'évacuation d'air à environ 2 pi (60,9 cm) de la sècheuse. La pression statique dans le conduit d'évacuation d'air ne devrait pas excéder les 0,6 po (1,5 cm) de colonne d'eau. Vérifiez le fonctionnement de la sècheuse sans charge.

### *Vérification du niveau*

Une fois la sècheuse installée dans sa position définitive, revérifiez la mise à niveau de la sècheuse. Assurez-vous que la sècheuse soit à niveau de l'avant vers l'arrière et d'un côté à l'autre et que les quatre pieds de nivellement sont fermement posés sur le plancher.

# INSTRUCTIONS D'INSTALLATION

## ÉVALUATION DE L'ÉTAT DU CONDUIT D'ÉVACUATION

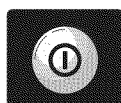
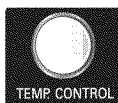
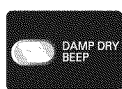
Votre sècheuse est équipée du FLOW SENSE<sup>MC</sup>, un système innovateur qui détecte automatiquement les blocages dans le conduit d'évacuation de la sècheuse. Le fait d'empêcher l'accumulation de charpie et les blocages permet aux vêtements de sécher plus rapidement et réduit la consommation d'énergie.

**REMARQUE :** Ce test devrait être réalisé lors de l'installation de la sècheuse pour vous indiquer l'existence d'un problème quelconque au niveau du conduit d'évacuation de votre logement. Toutefois, puisque le test fournit des indications plus fidèles sur l'état du conduit d'évacuation lorsqu'il est réalisé dans des conditions normales d'utilisation que lors du test d'installation, il se peut que le nombre de barres affichées au cours des deux tests diffère.


**Pour mettre en marche le cycle de test du conduit d'évacuation :**


**REMARQUE :** Cet essai utilise la source de chaleur pour mesurer l'état du passage. Si la source de chaleur ne fonctionne pas, le sècheur fera apparaître un conduit bloqué.

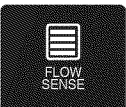
- 1 Appuyez simultanément sur les touches DAMP DRY BEEP et TEMP. CONTROL et maintenez-les enfoncées. Tout en maintenant ces touches enfoncées, appuyez sur MARCHÉ/ ÉTEINT (POWER ON/OFF).



- 2 Le sigle InS apparaîtra sur l'afficheur des numéros pour indiquer que la sècheuse est en mode d'évaluation du conduit d'évacuation.

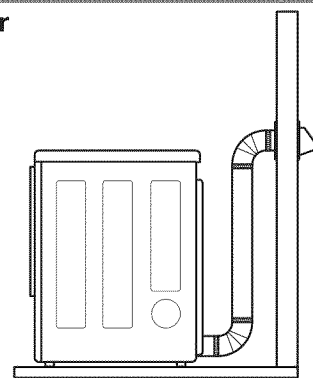
- 3  Appuyez sur START/PAUSE (marche/pause). La sècheuse se mettra en marche pendant environ deux minutes afin d'évaluer les blocages diminuant le flux d'air.

 Si aucune barre n'apparaît à l'écran, cela signifie que les conduits ne sont pas obstrués.

 Si toutes les barres sont éclairées, cela signifie que les conduits sont obstrués et que vous devez éliminer les obstructions immédiatement.

**IMPORTANT :** Ne **PAS** interrompre le cycle de test !

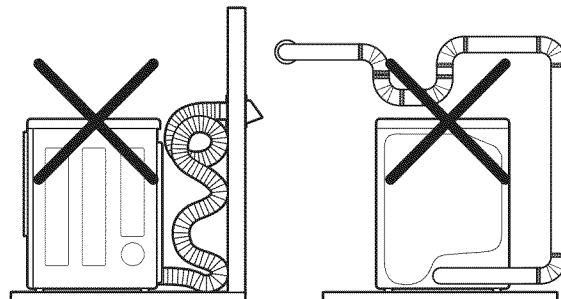
Circulation d'air correcte



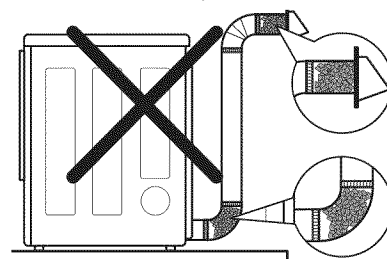
Circulation d'air bloquée

FLOW SENSE

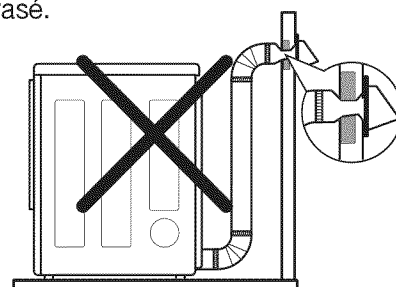
Éviter les longs tuyaux ou les tuyaux comportant plusieurs coudes.



Vérifier l'existence de blocages et d'accumulation de charpie.



S'assurer que le conduit d'évacuation n'est pas écrasé.



# MODE D'EMPLOI

Voici les instructions de mise en marche et d'utilisation de votre nouvelle sècheuse. Veuillez consulter des sections particulières de ce manuel pour de plus amples informations. **Avertissement important : Pour réduire le risque d'incendie, d'électrocution, ou de blessure, lisez tout le manuel, y compris les instructions importantes de sécurité, avant de faire fonctionner cette sècheuse.**

## TRIAGE DES BRASSÉES

### Étiquettes d'entretien des tissus

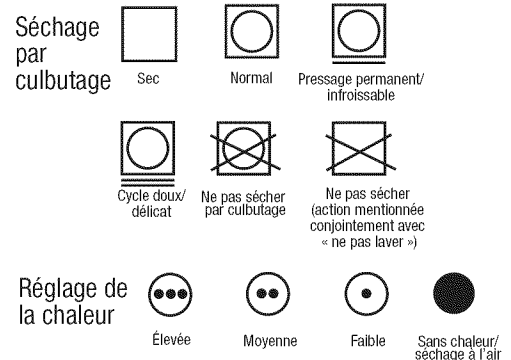
La plupart des vêtements possèdent des étiquettes d'entretien des tissus qui affichent les directives pour un soin approprié.

### Grouper les articles similaires

Pour de meilleurs résultats, triez les vêtements pour en faire des brassées qui peuvent être séchés au même cycle de séchage.

Différents tissus exigent des soins particuliers et certains d'entre eux séchent plus rapidement que d'autres.

### Étiquettes d'entretien des tissus



## CHARGEMENT DE LA SÈCHEUSE

**AVERTISSEMENT :** Afin de réduire les risques d'incendie, de choc électrique, ou les blessures corporelles lorsque vous utilisez des électroménagers, vous devez toujours suivre les précautions de base, y compris ce qui suit :

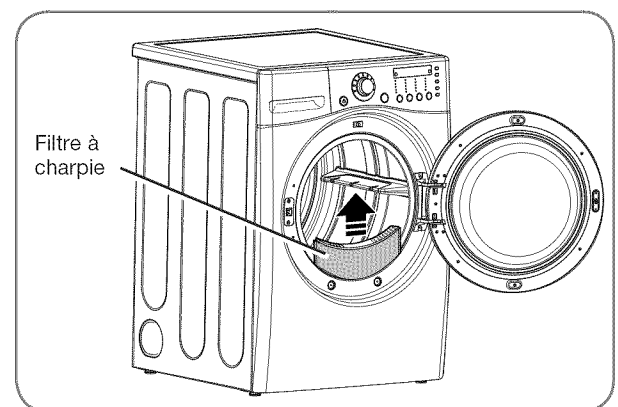
- **Vérifiez toutes les poches pour vous assurer qu'elles sont vides. Des articles comme des trombones, des stylos, de la monnaie, et des clés peuvent endommager votre sècheuse et vos vêtements. Des objets inflammables comme des briquets ou des allumettes risqueraient de s'enflammer et de provoquer un incendie.** Tout non-respect de ces instructions peut entraîner un incendie, une explosion, ou la mort.
- **Ne séchez jamais des vêtements qui ont été exposés à de l'huile, de l'essence, ou d'autres substances inflammables. Le lavage des vêtements n'enlèvera pas complètement les résidus d'huile.** Tout non-respect de cet avertissement peut entraîner des blessures graves, un incendie, l'électrocution, ou la mort.
- Combinez les articles grands et petits dans une brassée.
- Les vêtements mouillés prendront de l'expansion au séchage. Ne surchargez pas la sècheuse. Les vêtements ont besoin d'espace pour culbuter et sécher correctement.
- Fermez les fermetures-éclair, les crochets, et les cordons pour les empêcher de s'accrocher ou de s'em mêler aux autres vêtements.

## VÉRIFICATION DU FILTRE À CHARPIE AVANT TOUT LA BRASSÉE

Assurez-vous que le filtre à charpie est toujours propre avant de sécher une nouvelle brassée. En effet, un filtre obstrué par de la charpie augmentera le temps de séchage.

Pour le nettoyer, tirez droit vers le haut sur le filtre et faites une boule de charpie avec vos doigts. Ne rincez pas ni lavez le filtre pour retirer la charpie. Poussez fermement sur le filtre à charpie pour le remettre en place. Voyez la section "Nettoyage et entretien" pour plus des détails.

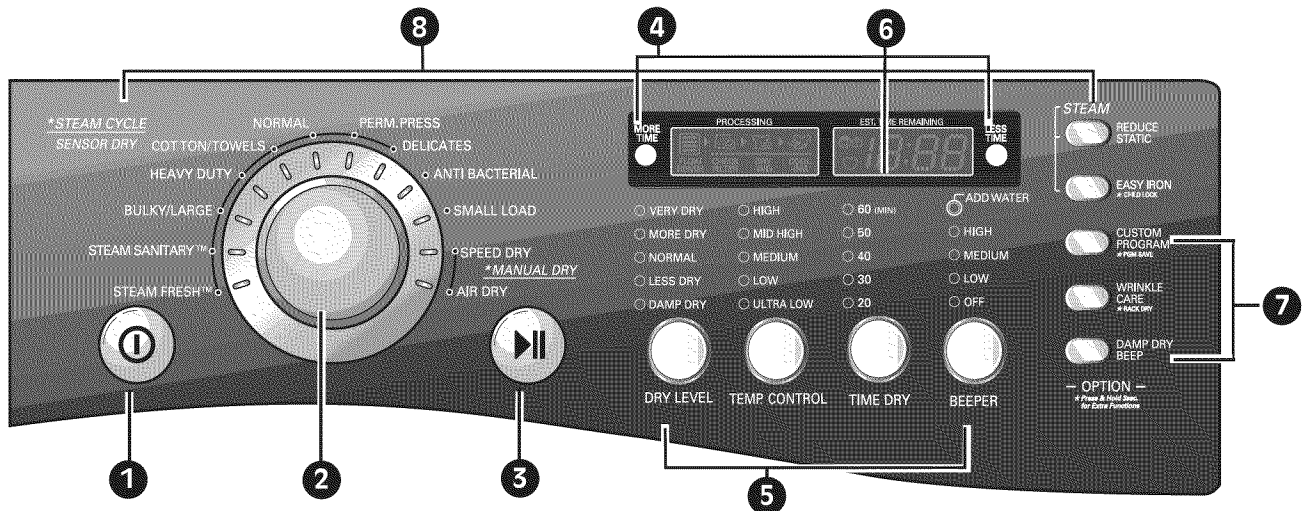
Assurez-vous que le filtre à charpie soit toujours correctement installé avant de démarrer la sècheuse. Un fonctionnement de la sècheuse avec un filtre lâche ou manquant risquerait d'endommager la sècheuse et les articles dans la sècheuse.



# MODE D'EMPLOI

## CARACTÉRISTIQUES DU PANNEAU DE COMMANDE

Voici les instructions de mise en marche et d'utilisation de votre sècheuse. Veuillez consulter des sections particulières de ce manuel pour de plus amples informations. **Avertissement important : Pour réduire le risque d'incendie, d'électrocution, ou de blessure, lisez tout le manuel, y compris les Instructions importantes de sécurité, avant de faire fonctionner cette sècheuse.**



### 1 BOUTON DE MISE EN MARCHÉ/ÉTEINT (ON/OFF)

Appuyez pour mettre en MARCHÉ (ON) la sècheuse. Appuyez de nouveau pour ÉTEINT (OFF) la sècheuse.

**REMARQUE :** Appuyer sur le bouton de MARCHÉ/ÉTEINT (ON/OFF) durant un cycle annulera ce cycle et tous les autres réglages de brassée seront perdus.

### 2 BOUTON SÉLECTEUR DE CYCLE

Tournez ce bouton pour sélectionner le cycle désiré. Une fois le cycle désiré sélectionné, les préréglages standard s'afficheront à l'afficheur. Pour les cycles SÉCHAGE MANUEL (MANUAL DRY), ces paramètres peuvent être réglés à l'aide des boutons de réglage du cycle avant de démarrer le cycle.

### 3 BOUTON DE MISE EN MARCHÉ/PAUSE (START/PAUSE)

Appuyez sur ce bouton pour DÉMARRER (START) le cycle sélectionné. Si la sècheuse est en fonction, utilisez ce bouton pour faire une PAUSE dans le cycle sans perdre les paramètres actuels.

**REMARQUE :** Si vous n'appuyez pas de nouveau sur le bouton de pour poursuivre le cycle de séchage en moins de 4 minutes, la sècheuse se mettra automatiquement hors tension.

### 4 BOUTONS TEMPS+/TEMPS- (MORE TIME/LESS TIME)

Pour régler la durée de séchage, utilisez ces boutons avec les cycles SÉCHAGE MANUEL (MANUAL DRY), SÉCHAGE MINUTÉ (TIME DRY) et STEAM FRESH<sup>MC</sup> ainsi qu'avec les options RÉDUIT L'ÉLECTRICITÉ STATIQUE (REDUCE STATIC) et REPASSAGE FACILE (EASY IRON). Appuyez sur le bouton TEMPS+ (MORE TIME) pour augmenter d'une minute le temps de séchage du cycle manuel et sur le bouton TEMPS- (LESS TIME), pour réduire le cycle par une minute.

### 5 BOUTONS DE RÉGLAGE DU CYCLE

Utilisez ces boutons pour sélectionner les paramètres de cycle désirés pour le cycle que vous avez choisi. Les paramètres actuels sont illustrés à l'afficheur. Appuyez sur le bouton correspondant à cette option pour voir et sélectionner d'autres réglages.

### 6 AFFICHEUR DE TEMPS ET D'ÉTAT

L'afficheur illustre les réglages, le temps restant estimé, les options et les messages d'état de votre sècheuse.

### 7 BOUTONS D'OPTIONS

Les boutons d'options vous permettent de sélectionner des options de cycle supplémentaires. Certains boutons vous permettent également d'actionner des fonctions spéciales en appuyant et en maintenant enfoncé le bouton pendant 3 secondes.

Pour des renseignements détaillés sur les options individuelles, consultez les pages suivantes.

### 8 FONCTIONS VAPEUR PRATIQUES

La nouvelle technologie à vapeur de LG vous permet d'envoyer un jet de vapeur tourbillonnante dans les tissus dans le but de rafraîchir les vêtements, réduire l'électricité statique et faciliter le repassage. Sélectionnez simplement le cycle STEAM FRESH<sup>MC</sup>. Vous pouvez également ajouter une option Vapeur aux cycles sélectionnés.



# MODE D'EMPLOI

## GUIDE DE CYCLE

Le guide de cycle ci-dessous illustre les options et les types de tissus recommandés pour chaque cycle.

Type	Cycle	Sorte de tissu	Niveau de séchage	Température	Durée en minutes	Plus/moins de temps	Entretien du froissement	Chaleur humide	Réduit l'électricité statique	Repassage facile
CYCLE À VAPEUR / SÉCHAGE À CAPTEUR	STEAM FRESH <sup>MC</sup>	Couette, Chemises, Pantalons (Excepté les tissus particulièrement délicats)	Éteint	MOYEN HAUT	20 Réglable	●	●		●	●
	STEAM SANITARY <sup>MC</sup>	Écharpes, literie, vêtements pour enfants	Éteint	HAUT	39		●			
	HEAVY DUTY (GROSSE CHARGE)	Jeans, vêtements lourds	Normal Réglable	HAUT	54		●	●	●	●
	COTTON/TOWELS (COTON/SERVIETTES)	Denims, serviettes, cotons lourds	Normal Réglable	MOYEN HAUT	55		●	●	●	●
	NORMAL	Vêtements de travail, velours côtelé, etc.	Normal Réglable	MOYEN	41		●	●	●	●
	PERM.PRESS (APPRÊT PERM.)	Pressage permanent, tissus synthétiques	Normal Réglable	FAIBLE	36		●	●	●	●
	DELICATES (DÉLICATS)	Lingerie, draps, blouses	Normal Réglable	FAIBLE	32		●	●	●	●
	BULKY / LARGE (VRAC/GROS)	Couvertures chemises	Normal Réglable	MOYEN	55				●	
	SMALL LOAD (PETITES BASSÉES)	Utilisez normal & Coton/swerviettes type de tissu (Max. 3lb)	Normal Réglable	HAUT	30		●			
	ANTI BACTERIAL (ANTI BACTÉRIEN)	N'utilisez pas ce cycle avec les articles délicats.	Très sec	HAUT	70		●			
SÉCHAGE MANUEL	SPEED DRY (SÉCHAGE RAPIDE)	Petites brassées de courte durée	Éteint	HAUT Réglable	25 Réglable	●	●		●	●
	AIR DRY (SÉCHAGE À L'AIR)	Pour les vêtements qui doivent être séchés sans chaleur, tels les plastiques ou les caoutchoucs	Éteint	Sans chaleur	30 Réglable	●	●			
	TIME DRY (SÉCHAGE MINUTÉ)	Pour le séchage en général; la durée, le temps, et autres options peuvent être programmés manuellement	Éteint	HAUT Réglable	40 Réglable	●	●		●	●
	RACK DRY (SÉCHAGE SUR PANIER)	Lainage, soie, lingerie	Éteint	Éteint TRÈS FAIBLE FAIBLE	50 Réglable	●				

### CYCLES SÉCHAGE À CAPTEUR (SENSOR DRY)

Les cycles Séchage à Capteur (Sensor Dry) utilisent le système exclusif à double capteur de LG qui détecte et compare le niveau d'humidité des vêtements et celui de l'air ambiant et règle le temps de séchage au besoin pour optimiser les résultats. La sècheuse règle automatiquement le niveau de séchage et la température aux paramètres recommandés pour chaque cycle. L'afficheur indiquera le temps restant estimé.

**REMARQUE :** Pour protéger vos vêtements, les différentes options de niveau de séchage, température, ou autres ne sont pas toutes disponibles avec chacun des cycles.

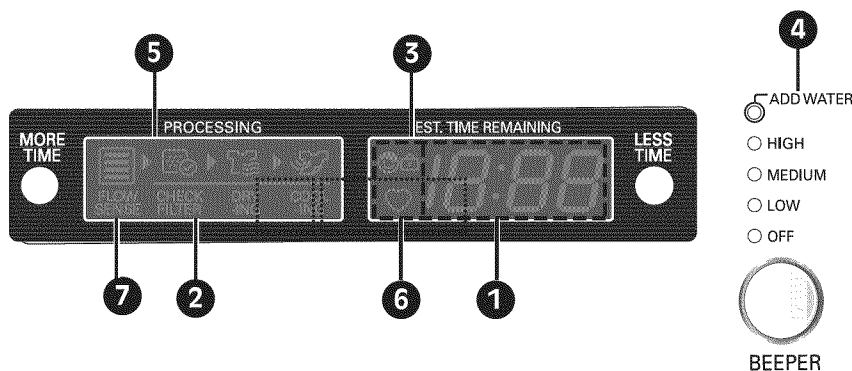
### CYCLES SÉCHAGE MANUEL (MANUAL DRY)

Utilisez les cycles Séchage Manuel (Manual Dry) pour sélectionner un temps et une température de séchage. Lors de la sélection d'un cycle Manual Dry, l'afficheur TEMPS RESTANT ENVIRON (ESTIMATED TIME REMAINING) indique le temps réel restant pour votre cycle. Appuyez sur les boutons TEMPS+ (MORE TIME) ou TEMPS- (LESS TIME) pour modifier le temps réel du cycle.

# MODE D'EMPLOI

## AFFICHEUR

L'afficheur ACL illustre les réglages, le temps restant estimé, les options et les messages d'état de votre sècheuse. Lorsque la sècheuse est en marche, l'afficheur s'illuminera.



### 1 TEMPS RESTANT ENVIRON (ESTIMATED TIME REMAINING)

Lorsque le bouton MARCHÉ/PAUSE (START/PAUSE) est enfoncé, la sècheuse affichera le temps estimé (SÉCHAGE À CAPTEUR) ou le temps réglé (SÉCHAGE MINUTÉ) restant et débutera le cycle.

**REMARQUE :** Le temps des cycles SÉCHAGE À CAPTEUR (SENSOR DRY) pourrait varier. En effet, la sècheuse recalcule le temps de séchage restant pour optimiser les résultats.

### 2 INDICATEUR DE CYCLE TERMINÉ

Illustre la portion du cycle de séchage actuellement en train d'être terminée (CHECK FILTER [vérification du filtre à charpie], DRYING [séchage], COOLING [refroidissement]).

### 3 INDICATEUR DE VERROUILLAGE POUR ENFANTS (CHILD LOCK)

Lorsque le VERROUILLAGE POUR ENFANTS (CHILD LOCK) est active, l'indicateur de Child Lock apparaîtra et tous les boutons seront désactivés à l'exception du bouton MARCHÉ/ÉTEINT (ON/OFF). Cela empêchera un enfant de modifier les réglages alors que la sècheuse est en fonction.

### 4 INDICATEUR AJOUTER L'EAU

Si le niveau de l'eau de l'alimentation en vapeur est bas, ce message d'erreur s'affichera. Remplissez le générateur et redémarrez le cycle.

### 5 RAPPEL CHECK FILTER (vérification du filtre à charpie)

L'afficheur indiquera CHECK FILTER (vérification du filtre à charpie) lors de la mise en marche de la sècheuse pour vous rappeler de vérifier le filtre à charpie. Le message s'éteint dès que le bouton de MISE EN MARCHÉ/ARRÊT est enfoncé.

### 6 PROGRAMA PERSONALIZADO (CUSTOM PROGRAM)

Si usted tiene una combinación especial de configuraciones que utiliza con frecuencia, puede guardarlas como CUSTOM PROGRAM.

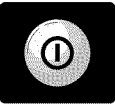
### 7 VOYANT DU SYSTÈME DE DÉTECTION DES BLOCAGES DANS LE CONDUIT D'ÉVACUATION FLOW SENSE™

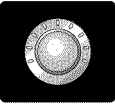
Le système de détection des blocages dans le conduit d'évacuation FLOW SENSE™ détecte et indique les blocages dans le conduit d'évacuation qui réduisent le flux d'air dans le conduit de la sècheuse. Il permet d'améliorer l'efficacité de fonctionnement et de réduire le nombre d'interventions de dépannage, vous réalisez ainsi des économies.

# MODE D'EMPLOI

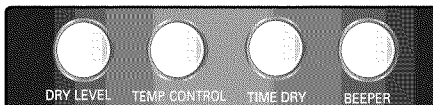
## FONCTIONNEMENT DE LA SÈCHEUSE

Une fois la sècheuse chargée :

-  Appuyez sur le bouton MARCHÉ/ÉTEINT (ON/OFF) pour mettre en marche la sècheuse. Les lumières autour du bouton sélecteur de cycle s'allumeront.

-  Tournez le bouton sélecteur au cycle désiré. L'afficheur montrera les paramètres préprogrammés NIVEAU DE SÉCHAGE (DRY LEVEL), LA TEMPÉRATURE (TEMPERATURE), TEMPS DE SÉCHAGE (TIME), et OPTIONS pour ce cycle.

- Si vous désirez les modifier pour ce cycle, appuyez sur le ou les boutons d'options afin d'afficher des paramètres supplémentaires pour ces options. Appuyez de nouveau pour faire le tour des paramètres jusqu'à ce que le paramètre désiré soit mis en surbrillance.



**REMARQUE :** Pour protéger vos vêtements, les différentes options de niveau de séchage, température, ou autres ne sont pas toutes disponibles avec chacun des cycles.

- Selectionnez les options supplémentaires, telles que BIP SÉCHAGE HUMIDE (DAMP DRY BEEP), ANTIFROISSAGE (WRINKLE CARE), ou SÉCHAGE SUR PANIER (RACK DRY) en appuyant la touche correspondante.



- Appuyez sur le bouton MARCHÉ/PAUSE (START/PAUSE) pour démarrer le cycle. L'afficheur changera et la sècheuse affichera le temps estimé (SÉCHAGE À CAPTEUR) ou le temps réglé (SÉCHAGE MANUEL) restant et débutera le culbutage. Pour faire une pause à tout moment, ouvrez la porte de la sècheuse ou appuyez sur PAUSE. Pour poursuivre le cycle au même endroit, appuyez de nouveau sur le bouton MISE EN DÉMARRER/PAUSE.

**REMARQUE :** Si la sècheuse s'arrête pour plus de 8 minutes, la sècheuse se mettra hors tension automatiquement.

- Lorsque la brassée est terminée, l'alarme sonore (s'il y a lieu) se fera entendre. Si vous avez sélectionné l'option ANTIFROISSAGE (WRINKLE CARE), la sècheuse culbutera la brassée régulièrement pour une période jusqu'à trois heures.

- Nettoyez toujours le filtre à charpie après chaque cycle.

Pour le nettoyer, tirez droit vers le haut sur le filtre et faites une boule de charpie avec vos doigts. Ne rincez pas ni lavez le filtre pour retirer la charpie. Poussez fermement sur le filtre à charpie pour le remettre en place.

## BOUTONS DE RÉGLAGE DU CYCLE

Les cycles SÉCHAGE À CAPTEUR (SENSOR DRY) possèdent des réglages préprogrammés qui se sélectionnent automatiquement et ne peuvent être modifiés. Les cycles MANUAL DRY comportent des paramètres par défaut mais vous pouvez également personnaliser les paramètres à l'aide des boutons de réglage du cycle. Appuyez sur le bouton correspondant à cette option pour voir et sélectionner d'autres paramètres.

**REMARQUE :** Pour protéger vos vêtements, les différentes options de niveau de séchage, température, ou autres ne sont pas toutes disponibles avec chacun des cycles.

### NIVEAU DE SÉCHAGE (DRY LEVEL)



Selectionnez le niveau de séchage du cycle. Appuyez sur le bouton NIVEAU DE SÉCHAGE (DRY LEVEL) à répétition pour defiler à travers les paramètres disponibles.

- Cette option est offerte uniquement avec les cycles SÉCHAGE À CAPTEUR (SENSOR DRY).
- La sècheuse ajustera automatiquement le temps du cycle. La sélection de l'option TRÈS SEC (VERY DRY) ou TEMPS+ (MORE DRY) augmentera le temps du cycle alors que TEMPS- (LESS DRY) ou HUMIDE (DAMP DRY) le diminuera.
- Utilisez le paramètre TEMPS- (LESS DRY) ou HUMIDE (DAMP DRY) pour les articles que vous désirez repasser.

### CONTRÔLE DE TEMPÉRATURE (TEMP CONTROL)



Ce bouton règle le paramètre de température de TRÈS FAIBLE (ULTRA LOW) à HAUT (HIGH). Ce réglage permet un entretien précis de vos tissus et vêtements. Appuyez sur le bouton CONTRÔLE DE TEMPÉRATURE (TEMP. CONTROL) à répétition pour defiler à travers les paramètres disponibles.

### SÉCHAGE MINUTÉ (TIME DRY)



Ce bouton vous permet de sélectionner manuellement le temps de séchage de 20 à 60 minutes par incréments de 10 minutes. Utilisez cette fonction pour les petites brassées ou pour defroisser. Utilisez les boutons TEMPS+/TEMPS- (MORE TIME/LESS TIME) pour augmenter ou réduire le temps de séchage par incréments de 10 minutes.

### SONNERIE (BEEPER)



Ajustez le volume de l'alarme sonore de fin de cycle ou éteignez-le.

# MODE D'EMPLOI

## BOUTON DE OPTIONS DE CYCLE

Votre sècheuse vous offre plusieurs options de cycle supplémentaires pour personnaliser les cycles et ainsi satisfaire vos besoins individuels. Certains boutons d'options comportent également une fonction spéciale (consultez la page suivante pour les détails) qui peut être actionnée en appuyant et en maintenant ce bouton d'option pendant 3 secondes.

### ***Pour ajouter des options de cycles à un cycle :***

- 1 Mettez en marche la sècheuse et tournez le bouton sélecteur de cycle au cycle désiré.
- 2 Utilisez les boutons de réglage de cycle pour ajuster les paramètres de ce cycle.
- 3 Appuyez sur le ou les boutons d'options de cycles afin de sélectionner les paramètres que vous aimeriez ajouter. L'afficheur montrera un message de confirmation.
- 4 Appuyez sur le bouton MARCHÉ/PAUSE (START/PAUSE) pour démarrer le cycle. La sècheuse démarrera automatiquement.

### **ANTIFROISSAGE (WRINKLE CARE)**



Avec cette option, la sècheuse culbutera la brassée régulièrement sur une période de jusqu'à 3 heures après la fin d'un cycle ou jusqu'à l'ouverture de la porte. C'est une fonction pratique qui aide à prévenir la formation de plis lorsque vous êtes dans l'impossibilité de retirer immédiatement les articles de la sècheuse

### **BIP SÉCHAGE HUMIDE (DAMP DRY BEEP)**




Avec cette option, la sècheuse émettra une alarme sonore lorsque la brassée sera environ 80% sèche. Elle vous permet de retirer les articles légers qui sèchent plus rapidement ou les articles que vous désirez repasser ou suspendre encore un peu humide.

## FONCTIONS SPÉCIALES

Les boutons d'options activent également des fonctions spéciales comme VERROUILLAGE POUR ENFANTS (CHILD LOCK), SÉCHAGE SUR PANIER (RACK DRY). Appuyez et maintenez enfoncé le bouton d'option marqué de la fonction spéciale pendant 3 secondes pour l'actionner.

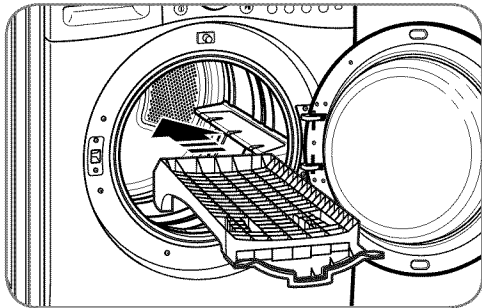
### SÉCHAGE SUR PANIER (RACK DRY)

 Utilisez la fonction SÉCHAGE SUR PANIER (RACK DRY) avec des articles comme les gilets en laine, la soie, et la lingerie, qui doivent sécher à plat. Utilisez également le RACK DRY pour des articles qui ne doivent pas être culbutés comme des chaussures de tennis ou des animaux en peluche. Appuyez et maintenez enfoncé le bouton WRINKLE CARE (Antifroissage) pendant 3 secondes pour actionner ou désactiver la fonction RACK DRY (séchage sur panier).

**REMARQUE :** N'utilisez JAMAIS la grille avec un cycle de séchage par culbutage.

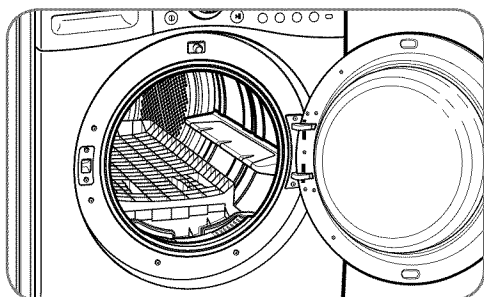
### Installation de la grille de séchage

- 1 Ouvrez la porte de la sècheuse et glissez la grille dans le tambour de la sècheuse.




- 2 Assurez-vous que la grille est appuyée uniformément sur le bord de la jante interne de la porte et repose à plat à l'intérieur de la sècheuse.

**REMARQUE :** Assurez-vous de retirer la grille une fois le cycle SÉCHAGE SUR PANIER (RACK DRY) complet.



### \* VERROUILLAGE POUR ENFANTS (CHILD LOCK)

 Utilisez cette option pour empêcher une utilisation non désirée de la sècheuse ou pour empêcher toute modification des paramètres de cycle lorsque la sècheuse est en fonction. Appuyez et maintenez enfoncé le bouton REPASSAGE FACILE (EASY IRON) pendant 3 secondes pour actionner ou désactiver la fonction CHILD LOCK.

# MODE D'EMPLOI

## AUTRES FONCTIONS

### **PROGRAMME SPÉCIAL (CUSTOM PROGRAM)**



Si vous utilisez une combinaison particulière de paramètres que vous utilisez fréquemment, il est possible de les sauvegarder en tant que PROGRAMME SPÉCIAL (CUSTOM PROGRAM).

#### **\* Sauvegarde d'un Programme Spécial :**

- 1 Mettez en marche la sécheuse et tournez le bouton sélecteur de cycle au cycle désiré.
- 2 Utilisez les boutons de réglage de cycle pour ajuster les paramètres de ce cycle.
- 3 Appuyez sur le ou les boutons d'options de cycles afin de sélectionner les paramètres que vous aimeriez ajouter. L'afficheur montrera un message de confirmation.
- 4 Appuyez et gardez enfoncé le bouton PROGRAMME SPÉCIAL (CUSTOM PROGRAM) à nouveau pendant 3 secondes.

**REMARQUE :** Il n'est possible de sauvegarder qu'un programme personnalisé. Tout autre programme préalablement sauvegardé sera effacé dès que vous appuyez et gardez enfoncé le bouton PROGRAMME SPÉCIAL (CUSTOM PROGRAM).

#### **Rappel d'un Programme Spécial :**

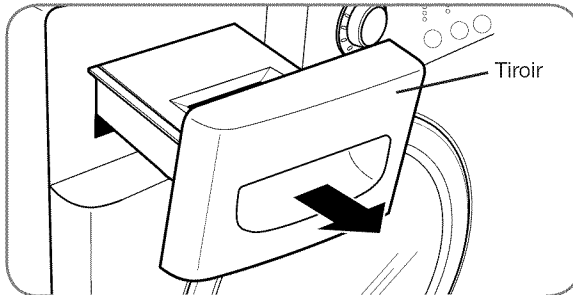
- 1 Mettez la sécheuse en marche.
- 2 Enfoncez le bouton PROGRAMME SPÉCIAL (CUSTOM PROGRAM).
- 3 Appuyez sur le bouton MARCHE/PAUSE (START/PAUSE) pour démarrer le cycle.

# MODE D'EMPLOI

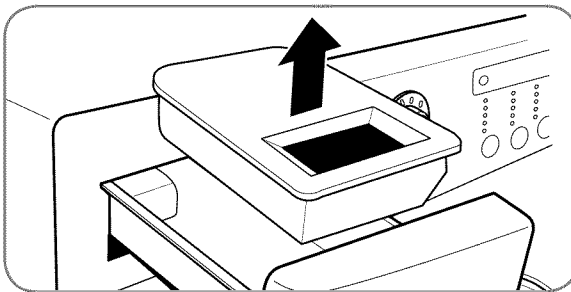
## FONCTIONS DE VAPEUR

### Remplissage de l'alimentation de vapeur

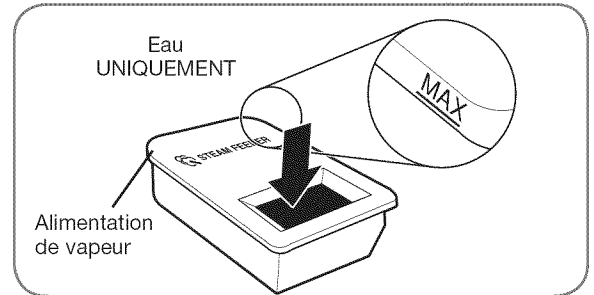
1 Sortez le tiroir.



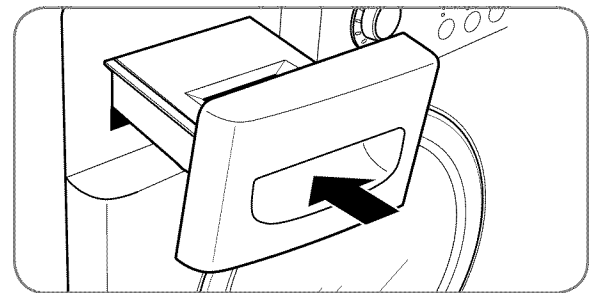
2 Sortez l'alimentation de vapeur de son compartiment.



3 Remplissez l'alimentation de vapeur avec de l'eau jusqu'au niveau MAX.



4 Remettez l'alimentation de vapeur dans le compartiment, puis faites glisser le tiroir jusqu'au déclic indiquant un positionnement correct.



### IMPORTANTES REMARQUES SUR LES CYCLES VAPEUR :



Avant utilisation d'un cycle Vapeur, l'alimentation de vapeur doit être remplie d'eau jusqu'à la ligne MAX. Dans le cas contraire, Le voyant ADD WATER est allumé. Assurez vous que l'alimentation de vapeur est pleine d'eau et le tiroir est complètement fermé. Eteignez la sècheuse et redemarrez le cycle de vapeur.

- Utilisez uniquement de l'eau. Ne remplissez pas l'alimentation de vapeur avec des substances étrangères, des agents de rinçage ou des détergents.
- Le générateur de vapeur doit être installé; dans le cas contraire, il y aura débordement d'eau.
- Essuyer tout éclaboussement d'eau autour du générateur de vapeur et du tiroir avant de démarrer la sècheuse.
- N'utilisez pas d'eau distillée; la sonde de niveau d'eau dans le générateur de vapeur ne fonctionnera pas.

### ⚠ AVERTISSEMENT :

- Ne remplissez pas l'alimentation vapeur avec des liquides tels que de l'essence, des solvants de nettoyage à sec ou d'autres substances inflammables ou explosives. Ces substances peuvent produire des vapeurs potentiellement explosives.
- Ne remplissez pas l'alimentation de vapeur avec de l'eau chaude (au-dessus de 86° F/ 30° C).
- Ne buvez pas l'eau de l'alimentation de vapeur.

# MODE D'EMPLOI

## FONCTIONS DE VAPEUR (suite)

La nouvelle technologie à vapeur de LG vous permet d'envoyer un jet de vapeur tourbillonnante dans les tissus dans le but de rafraîchir les vêtements, réduire l'électricité statique et faciliter le repassage. Sélectionnez simplement le cycle RAFFRAICHVAPEUR<sup>MC</sup> (STEAM FRESH<sup>MC</sup>). Vous pouvez également ajouter une option Vapeur aux cycles sélectionnés.

### Le Cycle STEAM FRESH<sup>MC</sup>

- Les options REDUIT L'ELECTRICITE STATIQUE (REDUCE STATIC) ou REPASSAGE FACILE (EASY IRON) peuvent également être utilisées pendant le cycle STEAM FRESH<sup>MC</sup>.
- En fonction de la charge (nombre d'articles), la durée du cycle peut être modifiée en appuyant sur les touches TEMPS+ (MORE TIME) ou TEMPS- (LESS TIME). L'écran affichera 3, 5 ou CHARGE VOLUMINEUSE *b i 9*. 3 pour 3 articles ou moins, 5 pour 4 ou 5 articles et *b i 9* pour une grosse charge telle qu'une couette par exemple.

### Utilisation du Cycle STEAM FRESH<sup>MC</sup> :

- 1 Allumez la sècheuse et faites pivoter le bouton de sélection de cycle pour sélectionner le cycle STEAM FRESH<sup>MC</sup>.
- 2 Pour ajouter une option, sélectionnez REDUCE STATIC, EASY IRON, ou ANTIFROISSAGE (WRINKLE CARE).
- 3 En fonction de la charge (nombre d'articles), la durée d'injection de vapeur peut être modifiée en appuyant sur les touches TEMPS+ ou TEMPS- (MORE TIME ou LESS TIME).
- 4 Appuyez sur la touche MARCHE/PAUSE (START/PAUSE) pour démarrer le cycle.

### Ajout de VAPEUR à un Cycle Standard :

- 1 Allumez la sècheuse et faites pivoter le bouton de sélection de cycle pour sélectionner le cycle désiré.
- 2 Utilisez les touches de réglages des cycles pour sélectionner les réglages.
- 3 Appuyez sur la touche Option Vapeur pour ajouter l'option Vapeur désirée. Puis réglez la taille de la charge en utilisant les touches TEMPS+ ou TEMPS- (MORE TIME ou LESS TIME).
- 4 Appuyez sur la touche MARCHE/PAUSE (START/PAUSE) pour démarrer le cycle.

### Utilisation des Options Vapeur :



Cette option injecte de la vapeur tardivement dans le cycle de séchage pour réduire l'électricité statique causée par les tissus frottant les uns contre les autres. Modifiez la durée

du cycle en appuyant sur les touches TEMPS+ ou TEMPS- (MORE TIME ou LESS TIME) en fonction de la charge (nombre d'articles). L'écran affichera le nombre recommandé d'articles (7, 9, 11, 14, 16, ou 18).



L'option REPASSAGE FACILE (EASY IRON) humidifie uniformément les tissus pour un gain de temps et un repassage facilité. Modifiez la durée du cycle en appuyant sur les touches

TEMPS+ (MORE TIME) ou TEMPS- (LESS TIME) en fonction de la charge (nombre d'articles). L'écran affichera le nombre recommandé d'articles (1, 2, 3, 4 ou 5).

Les options REDUCE STATIC et EASY IRON ne peuvent être utilisées qu'avec les cycles GROSSE CHARGE (HEAVY DUTY), COTON/SERVIETTES (COTTON/TOWELS), NORMAL et APPRÊT PERM (PERM. PRESS), DÉLICATS (DELICATES) et SÉCHAGE MINUTÉ (TIME DRY).

### REMARQUES :

- Lorsque le cycle SÉCHAGE À CAPTEUR (SENSOR DRY) est sélectionné avec l'option REDUCE STATIC, un NIVEAU DE SÉCHAGE (DRY LEVEL) de MOINS (LESS) ou HUMIDE (DAMP) ne peut être sélectionné.
- Les options REDUCE STATIC ou EASY IRON peuvent également être utilisées pendant les cycles SÉCHAGE MINUTÉ (TIME DRY).
- Après sélection de l'option Vapeur en TIME DRY, les touches MORE TIME ou LESS TIME modifieront UNIQUEMENT la durée d'injection de vapeur.
- Après avoir appuyé sur les touches MARCHE/PAUSE (START/PAUSE), les touches MORE TIME ou LESS TIME seront désactivées.

### Utilisation du cycle STEAM SANITARY<sup>MC</sup>

Le nouveau cycle est STEAM SANITARY<sup>MC</sup> idéal pour aseptiser rapidement et facilement les articles non lavables, en utilisant uniquement la puissance de la vapeur.

Ce cycle est recommandé pour les cotons et polyester.

(Ne PAS utiliser pour la mousse uréthane, les plumes de duvet ou les articles délicats).



# MODE D'EMPLOI

## FONCTIONS DE VAPEUR (suite)

### ⚠ AVERTISSEMENT :

- Ne pas ouvrir la porte de la sècheuse pendant les Cycles Vapeur. La vapeur peut occasionner de graves brûlures.
- Ne pas remplir l'alimentation vapeur avec de l'essence, des solvants de nettoyage à sec ou d'autres substances inflammables ou explosives. Ces substances peuvent produire des vapeurs potentiellement explosives.
- Ne pas boire l'eau de l'alimentation vapeur.
- Ne pas remplir l'alimentation de vapeur avec de l'eau chaude (au-dessus de 86° F/ 30° C).
- Ne pas toucher l'injecteur de vapeur dans le tambour pendant ou à la fin du Cycle Vapeur.

### IMPORTANTES REMARQUES SUR LES CYCLES VAPEUR :

- La vapeur n'est pas visible pendant les Cycles Vapeur. C'est normal.
- Ne pas utiliser STEAM FRESH<sup>MC</sup> sur les articles suivants : les lainages, les couvertures, les vestes en cuir, la soie, les vêtements humides, les produits en mousse ou les couvertures chauffantes.
- Pour de meilleurs résultats, ne remplir la sècheuse qu'avec des vêtements de tailles équivalentes ou des types de textiles similaires. Ne pas surcharger.
- Si le filtre à charpie ou le conduit d'évacuation sont bouchés, les résultats des options VAPEUR ne seront pas satisfaisants.
- Lorsque l'option Vapeur est en fonctionnement, le tambour arrêtera de tourner pour y maintenir la vapeur.
- L'alimentation vapeur doit être remplie d'eau jusqu'à la ligne MAX. Dans le cas contraire, un message d'erreur s'affichera.

## GUIDE DU CYCLE VAPEUR

CYCLE	VAPEUR	DUREE PAR DEFAULT	CONTROLE TEMPERATURE	NIVEAU DE SECHAGE	ETAT DES TEXTILES	TYPE DE TEXTILE	QUANTITE MAXIMALE
STEAM SANITARY		39 minutes			Sec	Écharpes Literie  Vêtements pour enfants	Unique (1 de chaque)  3 lbs.
STEAM FRESH		20 minutes	●		Sec	Couette, Chemises, <b>*excepté</b> les tissus particulièrement dé licats	Unique (1 de chaque) 5 de chaque
	+ REDUIT L'ELECTRICITE STATIQUE	10 minutes Seulement reduire l'electricite statique			Sec	Chemises, <b>*excepté</b> les tissus particulièrement dé licats	8 lbs. (18 ARTICLES)
	+ REPASSAGE FACILE	12 minutes			Sec		Chemises (5 de chaque)
GROSSE CHARGE COTON/SERVIETTES NORMAL APPRÊT PERM. DÉLICATS	+ REDUIT L'ELECTRICITE STATIQUE	Suivre les instructions du cycle sélectionné		●	Mouillé	Suivre les instructions du cycle sélectionné	8 lbs. (18 ARTICLES)
	+ REPASSAGE FACILE			●	Mouillé	Suivre les instructions du cycle sélectionné	Chemises (5 de chaque)
SÉCHAGE MINUTÉ	+ REDUIT L'ELECTRICITE STATIQUE	45 minutes	●		Mouillé	Suivre les instructions du Temp. sélectionné	8 lbs. (18 ARTICLES)
	+ REPASSAGE FACILE	47 minutes	●		Mouillé	Suivre les instructions du Temp. sélectionné	Chemises (5 de chaque)

- Chemise : mélange 70% coton/30% polyester.
- Si le filtre à charpie ou le conduit d'évacuation sont bouchés, les résultats des options VAPEUR ne seront pas satisfaisants.
- Pour de meilleurs résultats, ne remplir la sècheuse qu'avec des vêtements de tailles équivalentes ou des types de textiles similaires. Ne pas surcharger.

# ENTRETIEN ET NETTOYAGE

## NETTOYAGE RÉGULIER

**⚠ AVERTISSEMENT :** Afin de réduire les risques d'incendie, de choc électrique, ou les blessures corporelles lorsque vous utilisez des électroménagers, vous devez toujours suivre les précautions de base, y compris ce qui suit :

- **Débranchez votre sècheuse avant de la nettoyer pour éviter le risque d'électrocution.** Tout non-respect de ces instructions peut entraîner des blessures, un incendie, une électrocution, ou la mort.
- **N'utilisez jamais de produits chimiques puissants, de nettoyeurs abrasifs, ou de dissolvants pour nettoyer votre sècheuse.** Ils endommageront sa surface.

### *Nettoyage de l'extérieur*

Un entretien adéquat de votre sècheuse peut prolonger sa durée de vie utile. L'extérieur de la machine peut être nettoyé à l'eau chaude, avec un détergent ménager doux et non abrasif.

Essayez immédiatement tout déversement à l'aide d'un chiffon doux et humide.

**IMPORTANT :** N'utilisez jamais d'alcool méthylique, de solvant, ou de produits similaires.

N'utilisez jamais de laine d'acier ou de nettoyeurs abrasifs ; ils pourraient endommager la surface.

### *Nettoyage de l'intérieur*

Essayez autour de l'ouverture et du joint de la porte avec un chiffon doux et humide pour prévenir l'accumulation de charpie et de poussières qui pourraient endommager le joint de porte.

Nettoyez le hublot avec un chiffon doux humidifié avec de l'eau chaude et un détergent ménager doux et non abrasif puis essuyez pour sécher.

Il est possible de nettoyer le tambour en acier inoxydable avec un nettoyeur pour acier inoxydable traditionnel conformément aux directives du fabricant. N'utilisez jamais de laine d'acier ou de nettoyeurs abrasifs ; ils pourraient égratigner ou endommager la surface.

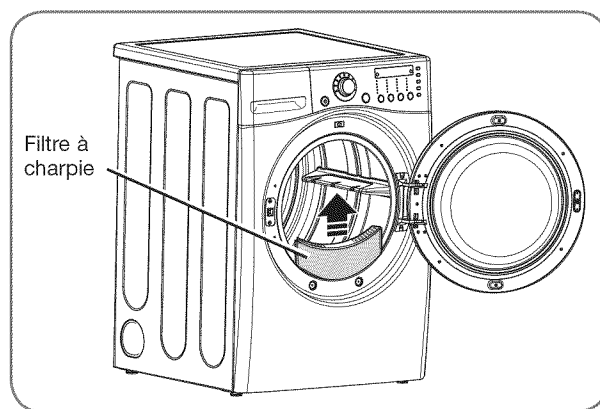
### *Nettoyage autour et sous la sècheuse*

Aspirez régulièrement la charpie et la poussière autour et sous la sècheuse. Au moins une fois par année, vérifiez le système de conduits, contrôlez pour toute accumulation de charpie et nettoyez-les. Si vous remarquez une réduction du débit d'air ou une chute du rendement de la sècheuse, vérifiez immédiatement le système de conduits pour toute obstruction et blocage.

### *Entretien du système de conduits*

Au moins une fois par année, vérifiez le système de conduits, contrôlez pour toute accumulation de charpie et nettoyez-les. Si vous remarquez une réduction du débit d'air ou une chute du rendement de la sècheuse, vérifiez immédiatement le système de conduits pour toute obstruction et blocage. Communiquez avec un technicien ou un fournisseur de service.

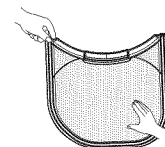
### *Nettoyage du filtre à charpie*



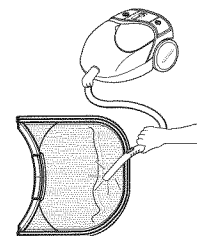
Nettoyez toujours le filtre à charpie après chaque cycle.

Pour le nettoyer, tirez droit vers le haut sur le filtre. Puis :

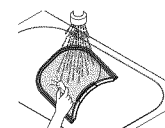
- 1 Faites une boule de charpie avec vos doigts, ou



- 2 Nettoyez le filtre à charpie avec un aspirateur, ou



- 3 Lavez le filtre à charpie dans une solution d'eau chaude savonneuse puis laissez-le sécher complètement avant de remplacer.



**REMARQUE :** N'utilisez JAMAIS la sècheuse sans le filtre à charpie en place.

## AVANT D'APPELER LE SERVICE

Votre sècheuse est dotée d'un système de contrôle des erreurs automatique qui détecte et diagnostique les problèmes dès leur apparition. Si votre sècheuse ne fonctionne pas correctement ou ne fonctionne pas du tout, vérifiez les éléments suivants avant d'appeler le service.

Problèmes	Causes possibles	Solutions
<b>La sècheuse refuse de se mettre en marche</b>	<ul style="list-style-type: none"> <li>Le cordon électrique n'est pas correctement branché.</li> <li>Un fusible de maison a grillé, un disjoncteur s'est déclenché, ou il y a une panne de courant.</li> </ul>	<ul style="list-style-type: none"> <li>Assurez-vous que la fiche soit bien enfichée dans une prise mise à la terre correspondante à la plaque signalétique de la sècheuse.</li> <li>Réinitialisez le disjoncteur ou remplacez le fusible. N'augmentez pas la capacité du fusible. Si le problème est un circuit surchargé, faites-le corriger par un électricien qualifié.</li> </ul>
<b>Sècheuse ne chauffe pas</b>	<ul style="list-style-type: none"> <li>Un fusible de maison a grillé, un disjoncteur s'est déclenché, ou il y a une panne de courant.</li> <li>Alimentation en gaz fermée ou service coupé (uniquement pour les modèles à gaz).</li> </ul>	<ul style="list-style-type: none"> <li>Réinitialisez le disjoncteur ou remplacez le fusible. N'augmentez pas la capacité du fusible. Si le problème est un circuit surchargé, faites-le corriger par un électricien qualifié.</li> <li>Confirmez l'ouverture de la soupape d'alimentation de la maison et de la soupape de fermeture de l'alimentation en gaz de l'appareil.</li> </ul>
<b>Taches grasses ou sales sur les vêtements</b>	<ul style="list-style-type: none"> <li>Assouplisseur mal utilisé.</li> <li>Séchage de vêtements propres et souillés ensemble.</li> </ul>	<ul style="list-style-type: none"> <li>Confirmez et suivez les directives fournies par le fabricant de l'assouplisseur.</li> <li>Assurez-vous de ne sécher que des vêtements propres dans votre sècheuse. En effet, des articles sales peuvent souiller les vêtements propres de la même brassée ou la brassée subséquente.</li> <li>Les taches sur des vêtements secs sont en réalité des taches que le lavage n'a pu retirer correctement. Assurez-vous que les vêtements sont complètement propres en conformité avec les directives de votre machine à laver et votre détergent.</li> </ul>
<b>L'afficheur montre le code d'erreur tE1 ou tE2</b>	<ul style="list-style-type: none"> <li>La thermistance est défectueuse.</li> </ul>	<ul style="list-style-type: none"> <li>Éteignez la sècheuse et appelez le service.</li> </ul>
<b>Présence de charpie sur les vêtements</b>	<ul style="list-style-type: none"> <li>Le filtre à charpie n'est pas bien nettoyé.</li> <li>Triage incorrect des brassées.</li> <li>Excès d'électricité statique dans les vêtements.</li> <li>Sècheuse surchargée.</li> <li>Papier mouchoir, papier, etc. présent dans les poches.</li> </ul>	<ul style="list-style-type: none"> <li>Assurez-vous que le filtre à charpie est propre avant chaque brassée. Avec certaines brassées qui produisent une quantité élevée de charpie, il sera peut-être nécessaire de nettoyer le filtre en cours de cycle.</li> <li>Certains tissus produisent de la charpie (comme une serviette de coton blanche pelucheuse) et devraient séchés séparément des vêtements qui attirent la charpie (comme une paire de pantalon de lin noir).</li> <li>Consultez la rubrique <i>Électricité statique excessive dans les vêtements après du séchage</i> plus bas.</li> <li>Divisez les grosses brassées de lessive en brassées plus modestes pour le séchage.</li> <li>Vérifiez soigneusement les poches avant la lessive et le séchage des vêtements.</li> </ul>
<b>Électricité statique excessive dans les vêtements après du séchage</b>	<ul style="list-style-type: none"> <li>Aucun assouplisseur utilisé ou assouplisseur utilisé incorrectement.</li> <li>Les vêtements ont séché trop longtemps (excès de séchage).</li> <li>Séchage de tissus synthétiques, infroissables, ou fait de mélanges de fibres synthétiques.</li> </ul>	<ul style="list-style-type: none"> <li>Utilisez un assouplisseur pour réduire l'électricité statique. Assurez-vous de suivre les directives du fabricant.</li> <li>Le séchage excessif d'une brassée de lessive peut provoquer l'accumulation d'électricité statique. Réglez les paramètres et utilisez un temps de séchage plus court ou utilisez les cycles SÉCHAGE À CAPTEUR (SENSOR DRY)</li> <li>Ces matières peuvent favoriser l'accumulation d'électricité statique. Essayez d'utiliser un assouplisseur.</li> </ul>

# DÉPANNAGE

## AVANT D'APPELER LE SERVICE (suite)

Problème	Causes possibles	Solutions
<b>Le temps de séchage n'est pas constant</b>	<ul style="list-style-type: none"> <li>Les paramètres de séchage, la taille de la brassée, et le taux d'humidité des vêtements ne sont pas constants.</li> </ul>	<ul style="list-style-type: none"> <li>Le temps de séchage d'une charge varie selon le paramètre de chaleur, le type de chaleur utilisé (électrique, à gaz naturel, ou PL), la taille de la brassée, le type de tissus, le taux d'humidité des vêtements, et la condition du système de conduits et du filtre à charpie.</li> </ul>
<b>Les vêtements prennent trop de temps à sécher</b>	<ul style="list-style-type: none"> <li>La brassée est mal triée.</li> <li>Brassée importante de tissus lourds.</li> <li>Mauvais réglage des commandes de séchage.</li> <li>Le filtre à charpie doit être nettoyé.</li> <li>Conduits d'évacuation d'air bloqués, sales, ou le conduit est trop long.</li> <li>Un fusible de maison grillé, un disjoncteur s'est déclenché, ou il y a une panne de courant.</li> <li>Sécheuse surchargée.</li> <li>Sécheuse avec charge insuffisante.</li> </ul>	<ul style="list-style-type: none"> <li>Séparez les articles plus lourds des articles plus légers. Les articles plus grands et lourds prennent plus de temps à sécher.</li> <li>Les tissus lourds retiennent plus d'humidité et sèchent donc plus lentement. Pour aider à réduire et à maintenir les temps de séchage plus constants, séparez les grands articles et les tissus lourds en brassées plus petites de taille consistante.</li> <li>Utilisez les paramètres appropriés pour le type de brassée que vous séchez.</li> <li>Assurez-vous que le filtre à charpie est propre avant chaque brassée. Avec certaines brassées qui produisent une quantité élevée de charpie, il sera peut-être nécessaire de nettoyer le filtre en cours de cycle.</li> <li>Confirmez la bonne configuration du système de conduits et qu'il est exempt de débris, charpie, et d'obstructions. Assurez-vous que la grille à registre ou le clapet s'ouvre correctement et qu'il/elle ne soit pas bloqué(e), bourré(e), ou endommagé(e).</li> <li>Réinitialisez le disjoncteur ou remplacez le fusible. N'augmentez pas la capacité du fusible. Si le problème est un circuit surchargé, faites-le corriger par un électricien qualifié.</li> <li>Divisez les grosses brassées de lessive en brassées plus modestes pour le séchage.</li> <li>Si vous séchez une très petite brassée, ajoutez quelques articles supplémentaires pour garantir un bon culbutage.</li> </ul>
<b>Les vêtements sont froissés</b>	<ul style="list-style-type: none"> <li>Les vêtements ont séché trop longtemps (excès de séchage).</li> <li>Les vêtements sont restés trop longtemps dans la sécheuse à la fin du cycle.</li> </ul>	<ul style="list-style-type: none"> <li>Un séchage excessif d'une brassée peut provoquer des plis. Essayez un temps de séchage plus court et retirez les articles alors qu'ils conservent encore un peu d'humidité.</li> <li>Retirez les articles immédiatement à la fin du cycle. Utilisez l'option ANTIFROISSAGE (WRINKLE CARE) pour poursuivre le culbutage des vêtements à la fin du cycle pour une période jusqu'à 3 heures.</li> </ul>
<b>Les vêtements ont rétréci</b>	<ul style="list-style-type: none"> <li>Les directives de soin des vêtements n'ont pas été respectées.</li> </ul>	<ul style="list-style-type: none"> <li>Pour éviter le rétrécissement, suivez soigneusement les directives d'entretien des tissus de votre vêtement car certains tissus rétréciront naturellement au lavage. D'autres tissus peuvent se laver sans problème mais rétréciront si séchés dans une sécheuse. Utilisez le paramètre de chaleur basse ou séchage sans chaleur et/ou l'option SÉCHAGE SUR PANIER (RACK DRY).</li> </ul>

## AVANT D'APPELER LE SERVICE (suite)

Problème	Causes possibles	Solutions
<b>Le voyant ADD WATER est allumé pendant le cycle de séchage</b>	<ul style="list-style-type: none"> <li>• Erreur d'alimentation d'eau.</li> </ul>	<ul style="list-style-type: none"> <li>• Vérifiez le tiroir d'alimentation de vapeur :               <ol style="list-style-type: none"> <li>(1) Assurez-vous que l'alimentation de vapeur est remplie d'eau jusqu'à la ligne MAX.</li> <li>(2) Assurez-vous que l'alimentation de vapeur est correctement positionnée et que le tiroir est bien fermé.</li> <li>(3) Éteignez la sècheuse et redemarrez le cycle de vapeur.</li> </ol> </li> <li>• Ne pas utiliser d'eau distillée, la sonde de niveau d'eau dans le générateur de vapeur ne fonctionnera pas</li> <li>• La pompe ne fonctionne pas. Débranchez la sècheuse et appelez un dépanneur</li> </ul>
<b>Des gouttes d'eau se forment sur l'injecteur au début du Cycle Vapeur.</b>	<ul style="list-style-type: none"> <li>• C'est normal.</li> </ul>	<ul style="list-style-type: none"> <li>• Il s'agit de condensation de vapeur d'eau. L'eau cessera rapidement de goutter.</li> </ul>
<b>La vapeur n'est pas générée, mais aucun code d'erreur ne s'affiche.</b>	<ul style="list-style-type: none"> <li>• Erreur de niveau d'eau.</li> </ul>	<ul style="list-style-type: none"> <li>• Débranchez la sècheuse et appelez un dépanneur.</li> </ul>
<b>Les vêtements sont encore froissés après le cycle RAFFRAICHVAPEUR<sup>MC</sup> (STEAM FRESH<sup>MC</sup>).</b>	<ul style="list-style-type: none"> <li>• Les vêtements sont en trop grand nombre dans la sècheuse ou bien ils sont trop différents les uns des autres.</li> </ul>	<ul style="list-style-type: none"> <li>• Les meilleurs résultats sont obtenus avec de petites charges de 1 à 5 articles.</li> <li>• Mettez moins d'articles dans la sècheuse. Mettez des vêtements similaires.</li> </ul>
<b>Les plis ne sont plus visibles sur le vêtements après un cycle de STEAM FRESH<sup>MC</sup>.</b>	<ul style="list-style-type: none"> <li>• Ce cycle a pour but d'éliminer les froissements du tissu.</li> </ul>	<ul style="list-style-type: none"> <li>• Utiliser un fer à repasser pour marquer les plis.</li> </ul>
<b>Les vêtements sont encore chargés d'électricité statique après utilisation de la fonction REDUIT L'ELECTRICITE STATIQUE (REDUCE STATIC).</b>	<ul style="list-style-type: none"> <li>• C'est normal.</li> </ul>	<ul style="list-style-type: none"> <li>• Cela dépend du taux d'humidité de la peau de chacun.</li> </ul>
<b>Les vêtements sont trop secs ou trop humides après utilisation de la fonction REDUIT L'ELECTRICITE STATIQUE (REDUCE STATIC).</b>	<ul style="list-style-type: none"> <li>• Les options de séchage n'ont pas été correctement sélectionnées.</li> </ul>	<ul style="list-style-type: none"> <li>• Sélectionnez manuellement le poids de la charge avant de débiter l'option REDUIT L'ELECTRICITE STATIQUE (REDUCE STATIC).</li> </ul>
<b>Les vêtements ne sont pas uniformément humides après un cycle REPASSAGE FACILE (EASY IRON).</b>	<ul style="list-style-type: none"> <li>• C'est normal.</li> </ul>	<ul style="list-style-type: none"> <li>• Cela dépend du nombre ou du type de vêtements.</li> </ul>

# DÉPANNAGE

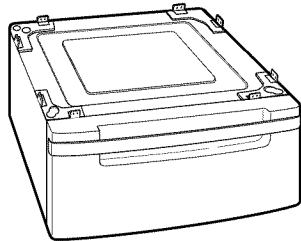
## AVANT D'APPELER LE SERVICE (suite)

Problème	Causes possibles	Solutions
<b>Des gouttes d'eau coulent le long de la porte pendant un cycle Steam Cycle (Cycle à vapeur)</b>	<ul style="list-style-type: none"><li>• C'est normal.</li></ul>	<ul style="list-style-type: none"><li>• Il s'agit de la condensation de la vapeur d'eau.</li></ul>
<b>La vapeur n'est pas visible pendant le Cycle Vapeur.</b>	<ul style="list-style-type: none"><li>• C'est normal.</li></ul>	<ul style="list-style-type: none"><li>• La vapeur est difficilement visible lorsque la porte est fermée.</li></ul>
<b>Le tambour ne tourne pas pendant le Cycle Vapeur.</b>	<ul style="list-style-type: none"><li>• C'est normal.</li></ul>	<ul style="list-style-type: none"><li>• Le tambour est arrêté pour y maintenir la vapeur d'eau.</li></ul>
<b>Pas de vapeur d'eau visible au début du cycle.</b>	<ul style="list-style-type: none"><li>• C'est normal.</li></ul>	<ul style="list-style-type: none"><li>• La vapeur est libérée à différentes étapes du cycle pour chaque option.</li></ul>
<b>L'affichage indique CHARGE VOLUMINEUSE <i>b</i> <i>g</i>.</b>	<ul style="list-style-type: none"><li>• Touche TEMPS+ (MORE TIME) est enfoncée.</li></ul>	<ul style="list-style-type: none"><li>• Appuyez plusieurs fois sur la touche TEMPS+ (MORE TIME) pour régler le cycle pour une charge importante telle qu'une couette.</li></ul>
<b>Des odeurs subsistent sur les vêtements après un cycle STEAM FRESH<sup>MC</sup>.</b>	<ul style="list-style-type: none"><li>• STEAM FRESH<sup>MC</sup> n'élimine pas complètement les odeurs.</li></ul>	<ul style="list-style-type: none"><li>• Les tissus ayant une forte odeur doivent être lavés dans un cycle normal.</li></ul>
<b>Le voyant FLOW SENSE est allumé pendant le cycle de séchage</b>	<ul style="list-style-type: none"><li>• Le conduit d'évacuation est trop long ou comporte trop de coudes.</li><li>• Le conduit d'évacuation est complètement bloqué par l'accumulation de charpie ou de débris.</li></ul>	<ul style="list-style-type: none"><li>• Installer un tuyau d'évacuation plus court ou plus droit. Voir les instructions d'installation.</li><li>• Le conduit d'évacuation devrait être vérifié/nettoyé immédiatement afin de retirer les accumulations de charpie et autres matières. La sècheuse peut être utilisée, mais son efficacité et ses performances seront considérablement réduites.</li></ul>

# ACCESSOIRES EN OPTION

## ACCESSOIRES EN OPTION

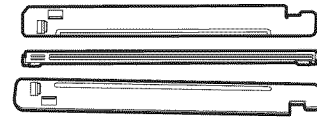
Pour ces produits LG et les autres, contactez votre détaillant LG local ou visitez notre site Internet au [ca.lge.com](http://ca.lge.com).



### ***Piédestal***

Donnez à votre machine à laver et sècheuse LG un coup de pouce grâce aux piédestaux de 14 po. Ils offrent un tiroir de rangement pour une commodité accrue.

<b>Piédestal de 14 po</b>	<b>Couleur</b>
WDP3W	Blanc
WDP3V	Acier de Graphite
WDP3R	Rouge cerise
WDP3N	Bleu Riviera
WDP3S	Titane



### ***Trousse d'empilage***

Si l'espace est restreint, utilisez cette trousse pour empiler de façon sécuritaire votre machine à laver à chargement par l'avant et sècheuse LG.

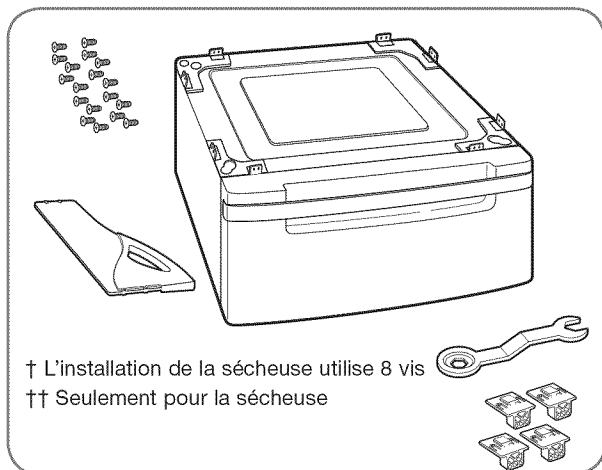
<b>Trousse de support</b>	<b>Couleur</b>
WSTK1	Blanc
SSTK1	Titanium
RSTK1	Rouge cerise
NSTK1	Bleu Riviera

# ACCESSOIRES EN OPTION

## INSTALLATION DU PIÉDESTAL

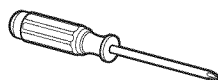
### Le piédestal accessoire comprend :

- Diviseur à tiroir (1)
- Clé (1)
- Vis (18) †
- Supports (4) ††



### Outils requis pour l'installation :

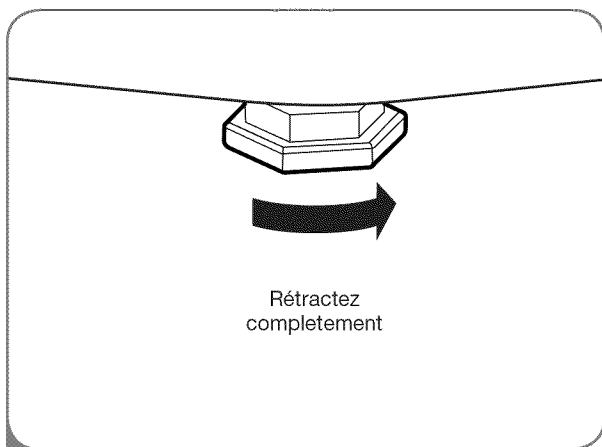
- Tournevis à tête cruciforme (Phillips)
- Clé (fournie)



Pour vous assurer que l'installation est sécuritaire et sûre, conformez-vous aux directives suivantes.

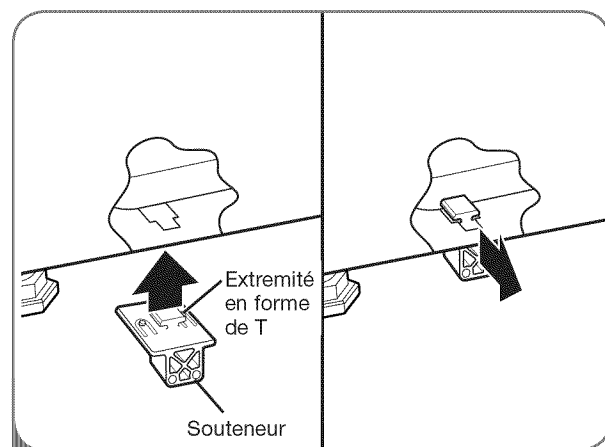
## ⚠ AVERTISSEMENT

- Une installation incorrecte peut entraîner des accidents graves.
- Les appareils électroménagers sont lourds. Deux personnes ou plus sont nécessaires à une installation sécuritaire du piédestal. Tout non-respect de ces instructions peut entraîner des blessures du dos ou d'autres blessures.
- Ne laissez pas les enfants jouer avec le tiroir. Il fait courir un risque d'étouffement et de blessures.
- Ne marchez pas sur la poignée. Tout non-respect de cet avertissement peut entraîner des accidents graves.
- Si les électroménagers sont déjà installés, débranchez tous les conduits d'alimentation électrique, d'eau, ou de gaz de même que les connexions de vidange ou de ventilation. Tout non-respect de ces instructions peut entraîner une électrocution, un incendie, une explosion ou la mort.
- Portez des gants durant l'installation.



- 1 Assurez-vous que les pieds de nivellement de l'appareil sont entièrement rétractés.

**REMARQUE :** L'ensemble appareil et piédestal doit être placé sur un plancher solide, robuste et de niveau pour un fonctionnement adéquat.

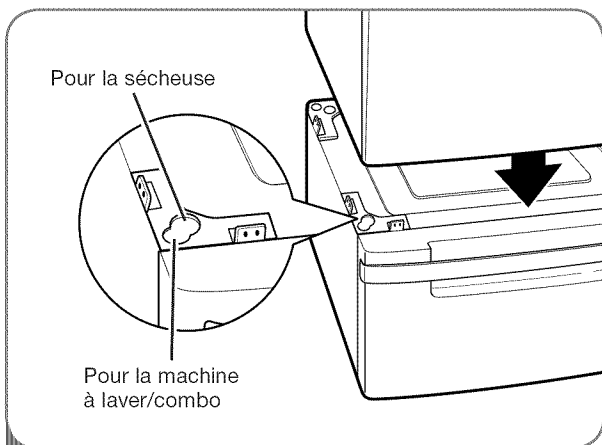


- 2 Insérez l'extrémité en forme de T des 4 souteneurs dans la base de la sécheuse comme illustré. En appuyant sur l'arrière des souteneurs, tirez-les vers l'extérieur pour les fixer en place.

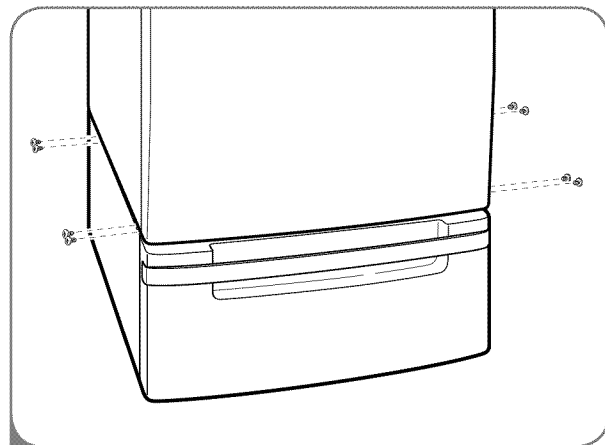


# ACCESSOIRES EN OPTION

## INSTALLATION DU PIÉDESTAL



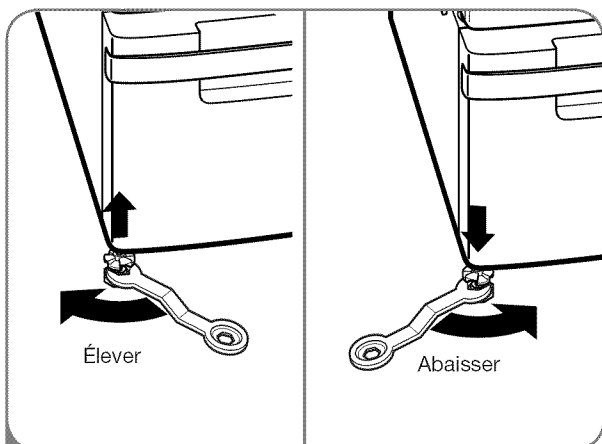
- 3 Positionnez la sècheuse sur le piédestal. Assurez-vous que les pieds à l'avant et à l'arrière de la machine se logeront en les positions correctes. Les pieds de la sècheuse se logeront dans les positions les plus intérieures tel qu'illustré.



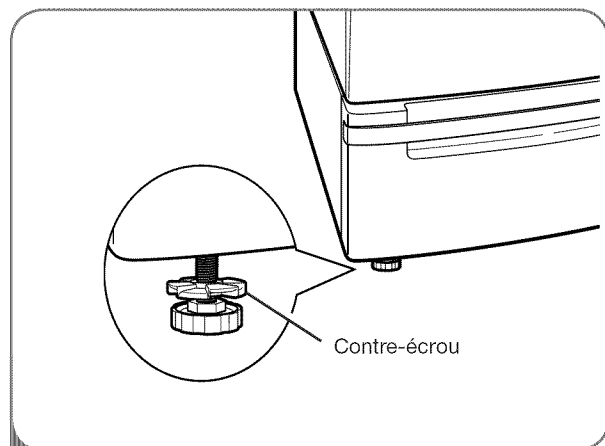
- 4 Assurez-vous que les trous du piédestal sont alignés avec les trous des souteneurs. Insérez et serrez 2 vis à chaque coin pour fixer solidement l'appareil au piédestal.

**REMARQUE :** Si les supports ne sont pas correctement installés, vous pourriez entendre du bruit et sentir des vibrations.

Placez l'appareil à l'endroit désiré.



- 5 Desserrez les contre-écrous des quatre pieds de nivellement du **piédestal** jusqu'à ce que vous puissiez les tourner avec la clé. Tournez dans le sens horaire pour élever ou dans le sens antihoraire pour abaisser jusqu'à le piédestal est au niveau et les 4 pieds solidement calées sur le plancher.



- 6 Serrez solidement à la main tous les contre-écrous.

**REMARQUE :** Si les contre-écrous ne sont pas serrés, vous pourriez entendre du bruit et sentir des vibrations.

Assurez-vous de brancher les électroménagers à tous les conduits d'alimentation électrique, d'eau ou de gaz de même qu'aux connexions de vidange ou de ventilation avant de mettre en marche.

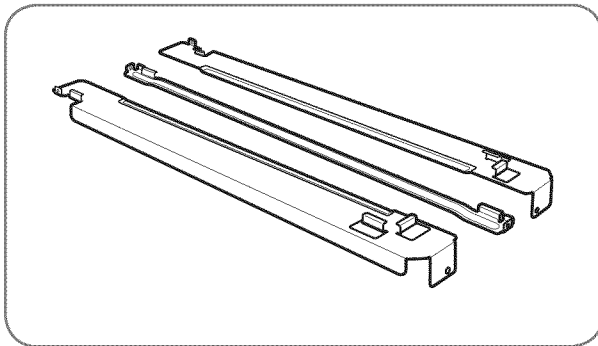
Si la vibration est excessive à la première utilisation après l'installation, ajustez légèrement les pieds de nivellement.

# ACCESSOIRES EN OPTION

## INSTALLATION DE LA TROUSSE D'EMPILAGE

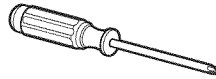
**La trousse d'empilage comprend :**

- Deux (2) rails latéraux
- Un (1) rail avant
- Quatre (4) vis



**Outils requis pour l'installation :**

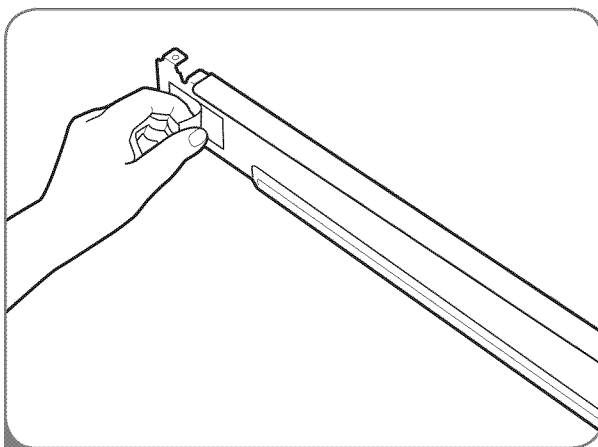
- Tournevis à tête cruciforme (Phillips)



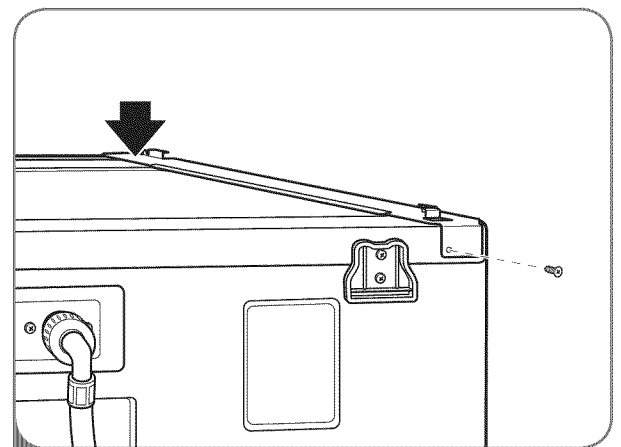
Pour vous assurer que l'installation est sécuritaire et sûre, conformez-vous aux directives suivantes.

### **⚠ AVERTISSEMENT**

- **Une installation incorrecte peut entraîner des accidents graves.**
- **Le poids de la sècheuse et la hauteur de l'installation rendent la procédure d'empilage trop risquée pour une personne seule. Deux personnes ou plus sont nécessaires à une installation sécuritaire de la trousse d'empilage.** Tout non-respect de ces instructions peut entraîner des blessures du dos ou d'autres blessures.
- **N'utilisez pas la trousse d'empilage avec une sècheuse au gaz lorsque les conditions sont potentiellement instables, par exemple dans une maison mobile.** Tout non-respect de cet avertissement peut entraîner des accidents graves.
- **Placez la machine à laver sur un plancher solide, stable, et de niveau pour qu'elle supporte sans risque le poids des deux appareils.** Tout non-respect de cet avertissement peut entraîner des accidents graves.
- **Si les électroménagers sont déjà installés, débranchez tous les conduits d'alimentation électrique, d'eau, ou de gaz de même que les connexions de vidange ou de ventilation.** Tout non-respect de ces instructions peut entraîner une électrocution, un incendie, une explosion, ou la mort.



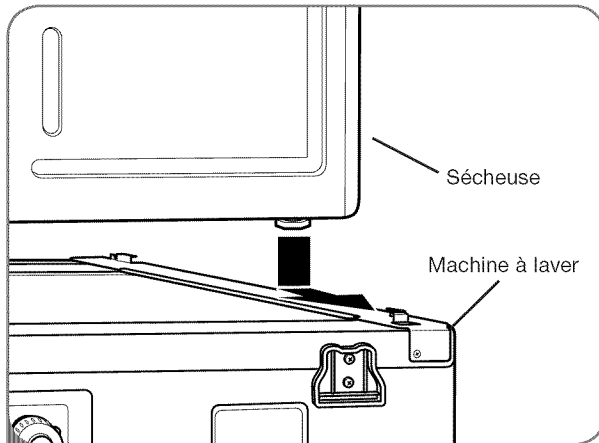
- 1** Assurez-vous que la surface de la machine à laver est propre et sèche. Retirez la pellicule protectrice du ruban de l'un des rails latéraux de la trousse d'empilage.



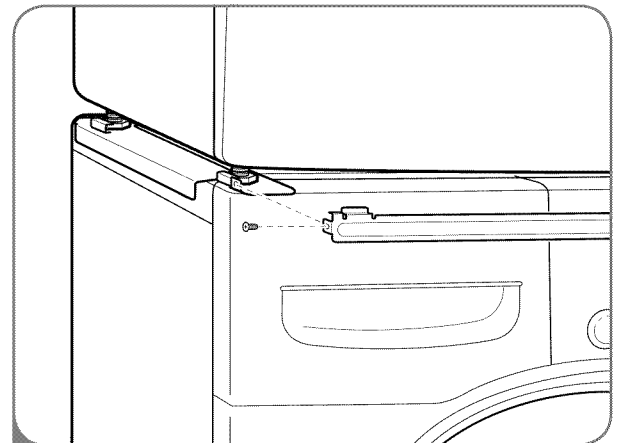
- 2** Adaptez le rail latéral sur le côté de la partie supérieure de la machine à laver tel qu'illustré dans la figure ci-dessus. Appuyez fermement la zone adhésive du rail sur la surface de la machine à laver. Fixez le rail latéral de la machine à laver avec une vis à l'arrière du rail. Répétez les étapes 1 et 2 pour attacher le rail de l'autre côté.

# ACCESSOIRES EN OPTION

## INSTALLATION DE LA TROUSSE D'EMPILAGE (suite)



**3** Placez la sécheuse par-dessus la machine à laver en ajustant les pattes de la sécheuse dans les rails latéraux tel qu'illustré. Évitez les blessures aux doigts. Ne les pincez pas entre la sécheuse et la machine à laver. Glissez lentement la sécheuse vers l'arrière de la machine à laver jusqu'à ce que les butées des rails latéraux coincent les pieds de la sécheuse.



**4** Insérez le rail avant entre le bas de la sécheuse et le haut de la machine à laver. Poussez le rail avant vers l'arrière de la machine à laver jusqu'à ce qu'il entre en contact avec les butées du rail latéral. Installez les deux vis restantes pour solidement fixer le rail avant aux rails latéraux.

## SPÉCIFICATIONS

### SPÉCIFICATIONS ET DIMENSIONS PRINCIPALES

L'apparence et les spécifications détaillées dans ce guide peuvent varier à cause des améliorations constantes apportées au produit.

Modèles de sécheuse DLEX2901W, DLEX2901V, DLEX2901R, DLEX2901S, DLEX2901L, DLGX2902W, DLGX2902V, DLGX2902R, DLGX2902S et DLGX2902L	
<b>Description</b>	Sécheuse de vapeur
<b>Tension et fréquence exigées*</b>	Voyez la plaque signalétique pour les informations détaillés.
<b>Alimentation en gaz*</b>	GN : 10–13 po CE. WC/PL : 10–13 po CE WC (uniquement les modèles à gaz)
<b>Dimensions</b>	27 po (larg) X 30 po (prof) X 38 <sup>11</sup> / <sub>16</sub> po (haut), 51 po (prof avec porte ouverte) 68,6 cm (larg) X 76,1 cm (prof) X 98,3 cm (haut), 129,7 cm (prof avec porte ouverte)
<b>Poids net</b>	136,6 lb. (62 kg)
<b>Capacité de séchage</b>	
- Cycle à normal	CEI 7,4 pi cu. (22,5 lb/10,2 kg)
- Cycle à vapeur	CEI 7,4 pi cu. (8,0 lb/3,6 kg)

\*Reportez-vous à la plaque signalétique de votre sécheuse.

# LG ELECTRONICS, INC. GARANTIE LIMITÉE APPLICABLE AUX SÈCHEUSES LG – CANADA

Visitez notre site web : [www.LG.ca](http://www.LG.ca)

LG Electronics Canada, Inc.

## GARANTIE LIMITÉE

Si le produit présente un défaut de matériaux ou de fabrication dans des conditions d'utilisation normales pendant la période de garantie indiquée ci-dessous, laquelle période de garantie est en vigueur à partir de la date d'achat d'origine, LG Electronics réparera ou remplacera, à sa discrétion, le produit sans frais.

La garantie est valide seulement pour l'acheteur d'origine du produit, pendant la période de garantie, tant et aussi longtemps que cela soit au Canada.

### Période de garantie Sécheuse LG

<u>Composant</u>	<u>Pièces</u>	<u>Main-d'oeuvre</u>
Toutes les pièces	1 an	1 an (service à domicile)
Moteur, Contrôleur	3 ans	1 an (service à domicile)
Cuve	5 ans	1 an (service à domicile)

Aucune autre garantie n'est applicable à ce produit. LA DURÉE DE TOUTE GARANTIE IMPLICITE, INCLUANT LA GARANTIE IMPLICITE DE COMMERCIALISATION, EST LIMITÉE À LA DURÉE DE LA GARANTIE EXPRESSE INDIQUÉE CI-APRÈS. LG ELECTRONICS NE PEUT ÊTRE TENUE RESPONSABLE POUR LA PERTE D'UTILISATION DE CE PRODUIT, INCONVÉNIENT, PERTE OU TOUT AUTRE DOMMAGE, DIRECT OU INDIRECTS, SURVENANT À LA SUITE DE L'UTILISATION OU DE L'INHABILITÉ À UTILISER LE PRODUIT OU POUR TOUT BRIS DE GARANTIE IMPLICITE OU EXPRESSE, INCLUANT LA GARANTIE IMPLICITE DE COMMERCIALISATION OU À DES FINS PARTICULIÈRES, APPLICABLES À CE PRODUIT. Certaines provinces ou territoires ne permettent pas l'exclusion ou la limitation de dommages indirects ou accessoires de limitation sur la durée d'une garantie implicite, par conséquent, ces limitations peuvent ne pas s'appliquer. Cette garantie vous (l'acheteur d'origine) donne des droits spécifiques légaux et vous pouvez en avoir d'autres qui varient d'une province ou territoire à un autre.

### LA GARANTIE SUSMENTIONNÉE NE S'APPLIQUE PAS :

1. Au déplacement de service à domicile pour livrer ou cueillir, installer, instruire, ou remplacer un fusible ou rebrancher le câblage résidentiel ou la plomberie ou corriger une réparation non autorisée.
2. Aux dommages au produit causés par accident, vermine, incendie, inondation, ou actes de Dieu.
3. Aux réparations lorsque le produit LG est utilisé à des fins autres que normales, utilisation résidentielle unifamiliale ou contraire aux instructions données dans le guide du propriétaire du produit.
4. Aux dommages résultant d'accident, modification, mauvaise utilisation, abus, ou installation ou entretien inadéquat.
5. Aux produits modifiés ou dont le numéro de série a été enlevé.

Si le produit est installé à l'extérieur de la zone de service normale, tous frais de déplacement nécessaire pour la réparation du produit, ou le remplacement d'une pièce défectueuse seront imputés au propriétaire.

### INFORMATION D'AIDE À LA CLIENTÈLE :

Pour obtenir une garantie :

Conserver la facture comme preuve de la date d'achat.  
Une copie de la facture doit être présentée lorsqu'un service sous garantie est fourni.  
Cette garantie n'est pas valide si le numéro de série apposé en usine a été modifié ou enlevé du produit.

Pour obtenir de l'aide sur le produit ou pour le service à la clientèle :

Téléphoner au 1.888.LG.CANADA (542.2623)  
Presser l'option du menu approprié, et avoir les numéros de modèle et de série et votre code postal sous la main.

Pour obtenir le centre de service autorisé le plus près :

Aller au site web : [www.LG.ca](http://www.LG.ca) (option service) ou téléphoner au 1.888.LG.CANADA (542.2623)  
Presser l'option du menu approprié, et avoir les numéros de modèle et de série et votre code postal sous la main.

