



RF195AB
RF197AB
RF217AB

Refrigerator user manual

English

imagine the possibilities

Thank you for purchasing this Samsung product.
To receive more complete service,
please register your product at
www.samsung.com/register

SAMSUNG

Free Standing Appliance

Features of your new Refrigerator

KEY FEATURES OF YOUR NEW REFRIGERATOR

Your Samsung Refrigerator comes equipped with various innovative storage and energy-efficient features.

- **Twin Cooling System**

The Refrigerator and Freezer have separate evaporators. Due to this independent cooling system, the Freezer and Refrigerator cool more efficiently.

Additionally, this separate air flow system prevents food odor of one compartment from seeping into other compartments.

- **Bigger & Wider Space**

The wide shelf area provides enough space for larger items.

The wide freezer drawer also provides enough space for 2~3 turkeys.

- **Secure Auto Close**

The Secure Auto Close feature will automatically close a door that is slightly open.

- **Digital Display and Temperature Control**

The easy-to-read Digital Display enhances the look of your kitchen and allows you precise temperature control.

- **Door Alarm**

A helpful beeper alerts you if a door is ajar.

- **Easy Handle**

Freezer door can be opened with less effort.

- **Energy Star**

This Energy star labeled product may save you money on your energy costs.



For easy future reference, write the model and serial number down. You will find your model number and serial number on the left side of the refrigerator.

Model # _____

Serial # _____

Safety Information

SAFETY INFORMATION

Before operating the appliance, please read this manual thoroughly and retain it for your reference.







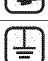



Use this appliance only for its intended purpose as described in this instruction manual.

This appliance is not intended for use by persons (including children) with reduced physical, sensory or mental capabilities, or lack of experience and knowledge, unless they have been given supervision or instruction concerning use of the appliance by a person responsible for their safety.

This appliance is not intended for use by persons (including children) with reduced physical, sensory or mental capabilities, or lack of experience and knowledge, unless they have been given supervision or instruction concerning use of the appliance by a person responsible for their safety.

Because the following instruction covers various models, the characteristics of your Refrigerator may differ slightly from the Refrigerator described in this manual. If you have any question, contact us at 1-800-SAMSUNG or find help and information online at www.samsung.com.

Important safety symbols and precautions:

 WARNING	Hazards or unsafe practices that may result in severe personal injury or death .
 CAUTION	Hazards or unsafe practices that may result in minor personal injury or property damage .
	Do NOT attempt.
	Do NOT disassemble.
	Do NOT touch.
	Follow directions carefully.
	Unplug the power plug from the wall socket.
	Make sure the machine is grounded to prevent electric shock.
	Call the contact center for help.
	Note.


These warning signs are here to prevent injury to you and others.

Please follow them carefully.

After reading this section, keep it in a safe place for future reference.



SEVERE WARNING SIGNS FOR INSTALLATION

- 
 - Do not install the refrigerator in a damp place or place where it may come in contact with water.
 - Deteriorated insulation of electrical parts may cause an electric shock or fire.
 - Do not place this refrigerator in direct sunlight or expose to the heat from stoves, room heaters or other appliance.



Safety Information

- **Do not plug several appliances into the same multiple power board. The refrigerator should always be plugged into its own individual electrical which has a voltage rating that matched the rating plate.**
 - This provides the best performance and also prevents overloading house wiring circuits, which could cause a fire hazard from overheated wires.
- **If the wall socket is loose, do not insert the power plug.**
 - There is a risk of electric shock or fire.
- **Do not use a cord that shows cracks or abrasion damage along its length or at either end.**
- **Do not bend the power cord excessively or place heavy articles on it.**
- **Never unplug your refrigerator by pulling on the power cord. Always grip plug firmly and pull straight out from the outlet.**
 - Damage to the cord may cause a short-circuit, fire and/or electric shock.
- **Do not use aerosols near the Refrigerator.**
 - Aerosols used near the Refrigerator may cause an explosion or fire.



- **This refrigerator must be properly installed and located in accordance with the manual before it is used.**
- **Connect the power plug in proper position with the cord hanging down.**
 - If you connect the power plug upside down, the wire can get cut off and cause a fire or electric shock.
- **When moving the refrigerator, be careful not to roll over or damage the power cord.**
 - This constitutes a fire hazard.
- **Make sure that the power plug is not squashed or damaged by the back of the refrigerator.**
- **Keep the packing materials out of reach of children.**
 - There is a risk of death from suffocation if children put them on their head.
- **The appliance must be positioned so that the plug is accessible after installation.**



- **The Refrigerator must be safely grounded**
 - Always make sure that you have grounded the Refrigerator before attempting to investigate or repair any part of the appliance. Power leakages can cause severe electric shock.
- **Never use gas pipes, telephone lines or other potential lightning attractors as an electrical ground.**

WARNING

- Improper use of the grounding plug can result in a risk of electric shock.
If it is necessary to use an extension cord, use only a 3-wire extension cord that has a 3-blade grounding plug and a 3-slot receptacle that will accept the plug on the appliance. The marked rating of the extension cord should be AC115-120 V, 10 A, or more. If a grounding adapter is used, make sure the receptacle box is fully ground



- **If the power cord is damaged, have it replaced immediately by the manufacturer or its service agent.**



CAUTION SIGNS FOR INSTALLATION

- ★ • **Allow sufficient space to install the refrigerator on a flat surface.**
 - If your refrigerator is not level, the internal cooling system may not work correctly.
- **Keep ventilation opening in the appliance enclosure or mounting structure clear of obstruction.**
- **Allow the appliance to stand for 2 hours after installation.**






SEVERE WARNING SIGNS FOR USING

- ☒ • **Do not insert the power plug with wet hands.**
 - **Do not store articles on the top of the appliance.**
 - When you open or close the door, the articles may fall and cause personal injury and/or material damage.
 - **Do not put a container filled with water on the refrigerator.**
 - If spilled, there is a risk of fire or electric shock.
 - **Children should be supervised to ensure that they do not play with the appliance.**
 - **Do not let children hang on the door. A serious injury may occur.**
 - **Do not let children enter inside of the refrigerator. There is a risk of children entrapment.**
 - **Do not insert your hands into the bottom area under the appliance.**
 - Any sharp edges may cause personal injury.
 - **Do not let children step on drawer's cover.**
 - The drawer may break and cause them to slip.
 - **Do not overfill the refrigerator with food.**
 - When you open the door, an item may fall out and cause personal injury or material damage.
 - **Do not touch the inside walls of the freezer or products stored in the freezer with wet hands.**
 - This may cause frostbite.
 - **Do not spray inflammable gas near the refrigerator.**
 - There is a risk of explosion or fire.
 - **Do not store volatile or flammable substances in the refrigerator.**
 - The storage of benzene, thinner, alcohol, ether, LP gas and other such products may cause explosions.
 - **Do not store pharmaceuticals products, scientific materials or temperature sensitive products in the refrigerator.**
 - Products that require strict temperature controls must not be stored in the refrigerator.
 - **Do not place or use an electrical appliance inside the refrigerator, unless it is of a type recommended by the manufacturer.**
 - **Do not use mechanical devices or any other means to accelerate the defrosting process, other than those recommended by the manufacturer.**
 - **Do not damage the refrigerant circuit.**
-
- ☒ • **Do not disassemble or repair the refrigerator by yourself.**
 - You run risk of causing a fire, malfunction and/or personal injury.
-

Safety Information





SEVERE WARNING SIGNS FOR USING

-  • Children should be supervised to ensure that they do not play with the appliance.
 - Bottles should be stored tightly together so that they do not fall out.
 - This product is intended only for the storage of food in a domestic environment.
 - If a gas leak is detected, avoid any naked flames or potential sources of ignition and air the room in which the appliance is standing for several minutes.
-
-  • Pull the power plug out of the socket before changing the interior lamps of the refrigerator.
 - Otherwise, there is a risk of electric shock.
-
-  • If the appliance generates a strange noise, a burning smell or smoke, unplug the power plug immediately and contact your nearest service center.
 - If you experience difficulty when changing the light, contact service agents.
 - If any dust or water is in Refrigerator, pull out power plug and contact your Samsung Electronics service center.
 - Otherwise there is a risk of fire





CAUTION SIGNS FOR USING


-  • Do not re-freeze frozen foods that have thawed completely.
 - Do not place carbonated or fizzy drinks in the freezer compartment. Do not put bottles or glass containers in the freezer.
 - When the contents freeze, the glass may break and cause personal injury.
-
-  • **Service warranty and Modification.**
 - Any changes or modifications performed by a 3rd party on this finished appliance is not covered under Samsung warranty service, nor can Samsung be responsible for safety issues that result from 3rd party modifications.
 - **Do not block air holes.**
 - If the air holes are blocked, especially with a plastic bag, the refrigerator can be over cooled. If this cooling period lasts too long, the water filter may break and cause water leakage.
 - **If the refrigerator is disconnected from the power supply, you should wait for at least five minutes before plugging it back.**
 - **If you have a long vacation planned or the refrigerator is not to be used for a long period of time, you must empty the refrigerator and pull out the power plug.**
 - Deterioration in the insulation may cause fire.
 - **Wipe excess moisture from the inside and leave the doors open.**
 - Otherwise, door and mold may develop.
 - **To get Best performance of product,**
 - Do not place foods too closely in front of the vents at the rear of the appliance as it can obstruct free air circulation in the refrigerator compartment.
 - Wrap the food up properly or place it in airtight containers before putting it into the refrigerator.
 - **Fill water tank, ice tray, water cubes only with potable water.**




CAUTION SIGNS FOR USING

-  • When the product is flooded, make sure to contact your nearest service center.
 - There is a risk of electric shock or fire.


-  • Do not directly spray water inside or outside the refrigerator.
 - There is a risk of fire or electric shock.

-  • Remove any foreign matter or dust from the power plug pins. Do not use a wet or damp cloth when cleaning the plug, remove any foreign material or dust from the power plug pins.
 - Otherwise there is a risk of fire or electric shock.

-  • Unplug the refrigerator before cleaning and making repairs.



SEVERE WARNING SIGNS FOR DISPOSAL

-  **DANGER** : Risk of child entrapment. Before you throw away your old refrigerator or freezer:
 - Take off the doors.
 - Leave the shelves in place so that children may not easily climb inside.
- Please dispose of the packaging material for this product in an environmentally friendly manner.
- Leave the shelves in place so that children may not easily climb inside. Ensure that none of the pipes on the back of the appliance are damaged prior to disposal.
- When disposing of this refrigerator, remove the door/door seals and door latch so that small children or animals cannot become trapped inside.
Children should be supervised to ensure that they do not play with the appliance.
- Cyclopentane is used as in the insulation. The gases in the insulation material require a special disposal procedure. Please contact your local authorities in regard to the environmentally safe disposal of this product. Ensure that none of the pipes on the back of the refrigerator are damaged prior to disposal.

Contents

SETTING UP YOUR FRENCH DOOR REFRIGERATOR

09

- 09 Getting ready to install the refrigerator
- 10 Setting up the refrigerator
- 10 Removing the refrigerator doors
- 15 Adjusting the doors
- 16 Making minor adjustments between doors
- 17 Installation of the water line

OPERATING YOUR SAMSUNG REFRIGERATOR

19

- 19 Parts and features
- 20 Using the control panel
- 21 Controlling the temperature
- 24 Storing food in the refrigerator
- 24 Storing food in the freezer drawer
- 25 Food storage tips
- 27 Removing the fridge accessories
- 28 Removing the freezer accessories
- 29 Cleaning the refrigerator
- 30 Changing the interior lights

TROUBLESHOOTING

31

- 31 Troubleshooting

WARRANTY

32

- 32 Warranty

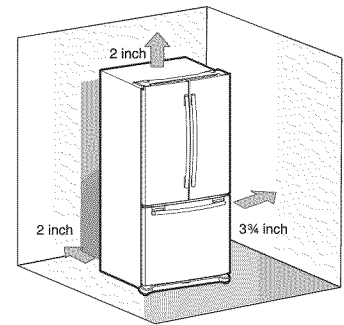
Setting up your French Door Refrigerator

GETTING READY TO INSTALL THE REFRIGERATOR

Congratulations on your purchase of this Samsung French Door Refrigerator. We hope you enjoy the state-of-art features and efficiencies that this new appliance offers.

Selecting the best location for the Refrigerator

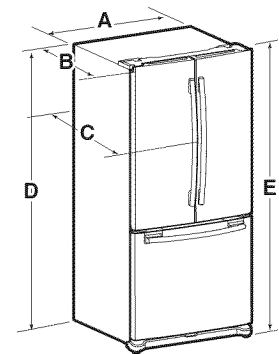
- A location with easy access to the water supply.
- A location without direct exposure to sunlight.
- A location with level (or nearly level) flooring.
- A location with enough space for the Refrigerator doors to open easily.
- Allow sufficient space for air circulation of the internal cooling system. If the Refrigerator does not have enough space, the internal cooling system may not work properly.



First thing! Make sure that you can easily move your Refrigerator to its final location by measuring doorways (both width and height), thresholds, ceilings, stairways, etc.

The following chart details the exact height and depth of Samsung French Door Refrigerator.

Model		RF195AB RF197AB	RF217AB	
Capacity (cu.ft)		17.8	19.7	
Dimension (inch)	Width (A)	32 1/4"	32 1/4"	
	Depth	without door (B)	24 3/8"	26 1/4"
		with door (C)	30 1/2"	32 1/2"
	Height	without hinge (D)	68 5/8"	68 5/8"
		with hinge (E)	69 3/4"	69 3/4"



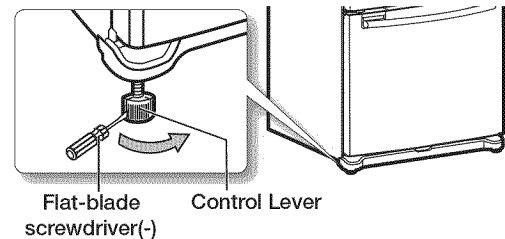
- Allow clearance to the right, left, back and top when installing. This will help reduce power consumption and keep your energy bills lower.
- If you install the Refrigerator where is below 50°F (10°C), it may not function optimally.
- Do not locate the refrigerator where the wet condition.



When moving your refrigerator

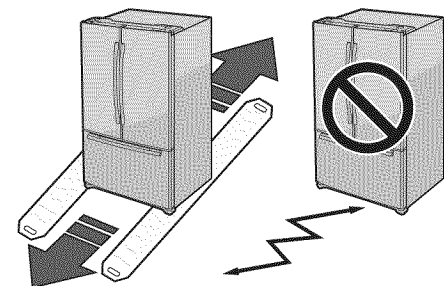
To prevent floor damage, be sure the front adjusting legs are in the up position (above the floor).

Refer to 'Adjusting the doors' (on page 15).



FLOORING

For proper installation, this refrigerator must be placed on a level surface of hard material that is the same height as the rest of the flooring. This surface should be strong enough to support a fully loaded refrigerator, or approximately 223lbs(106kg). To protect the finish of the flooring, cut a large section of the cardboard carton and place under the refrigerator where you are working. When moving the refrigerator, be sure to pull it straight out and return it to position by pushing it straight in.




Setting up your French Door Refrigerator

SETTING UP THE REFRIGERATOR

Now that you have your new Refrigerator installed in place, you are ready to set up and enjoy the features and functions of the appliance. By completing the following steps, your Refrigerator should be fully operational.

1. Place the Refrigerator in an appropriate location with reasonable clearance between it and the wall. Refer to installation instructions in this manual. (page 9, selecting the best location for the Refrigerator)
2. Once the Refrigerator is plugged in, make sure the interior light comes on when you open the doors.
3. Set the Temperature control to the coldest temperature and wait for an hour. The Freezer will get slightly chilled and the motor will run smoothly.
4. After powering the Refrigerator, it will take a few hours to reach the appropriate temperature. You can store food and drinks in the Refrigerator after the temperature is sufficiently cool.

 Check the accessories listed below.



Compression fitting



Compression nut



Hex Wrench



Fastener

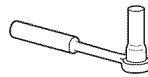
Required Tools (Not provided)



Phillips screwdriver(+)



Flat-blade screwdriver(-)



Socket Wrench
(10mm) (for bolts)



Hex Wrench (3/16")
(for Mid hinge)



Pliers

REMOVING THE REFRIGERATOR DOORS

Some installations require door/drawer removal to transport the Refrigerator to its final location. Do not remove the door/drawer if it is not needed. Before removing the door/drawer make sure you read following items.



WARNING Disconnect power to the Refrigerator before removing the door or drawer.

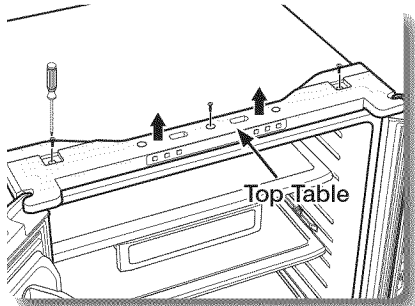


- Be careful not to drop, damage or scratch the door/drawer while removing them.
- Be careful not to get injured while removing the door/drawer.
- Reattach the door/drawer properly to avoid:
 - Moisture from air leakage.
 - Uneven door alignment.
 - Wasting energy due to improper door seal.

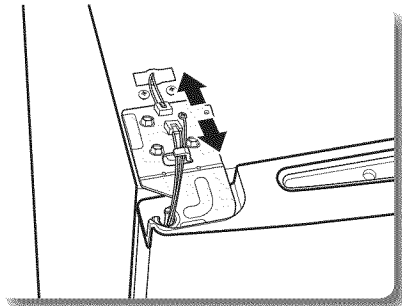
Disassembling the fridge door



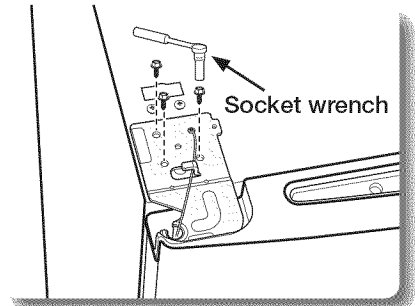
Be careful not to drop and scratch the fridge door while removing the fridge door!



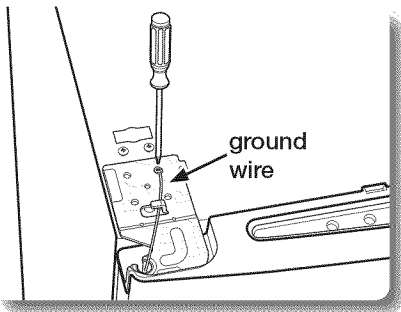
1. Remove the 3 screws holding down the top table and remove it.



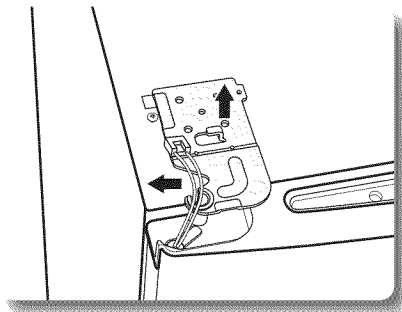
2. Disconnect electric wire on the top of the refrigerator.



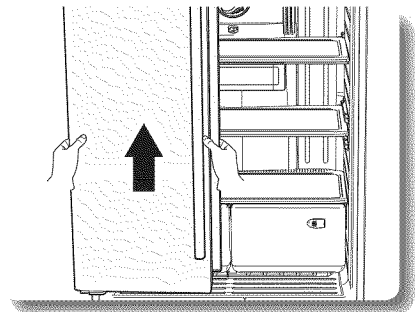
3. Remove the 3 hex bolts that hold the hinge on the top of the refrigerator with the 10mm socket wrench.



4. Remove the screw that holds the ground wire with a philips screwdriver(+).

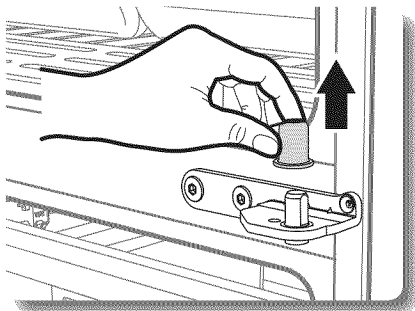


5. Separate the hinge from the electric wire and ground wire as shown above.

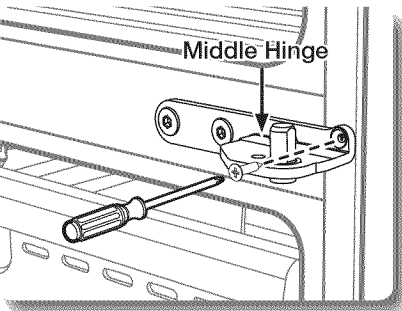


6. Lift the door straight up to remove. Be careful not to drop and scratch the doors while removing them.

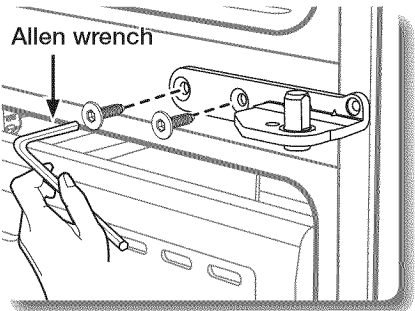
Disassembling the freezer door (DRAWER TYPE - RF217,RF197)



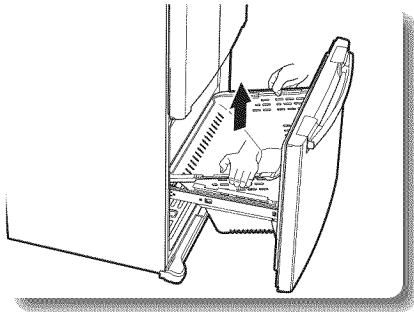
1. Separate the cap on the middle hinge.



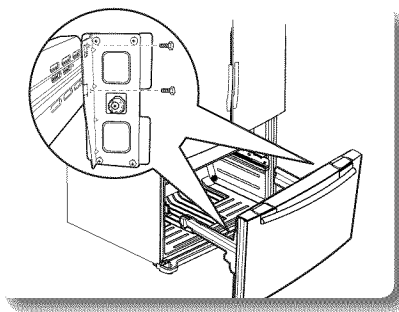
2. Remove the screw attached to the left and right middle hinges with a philips screwdriver(+). Remove the 2 hex head bolts attached to the left and right middle hinges with an allen wrench(3/16").



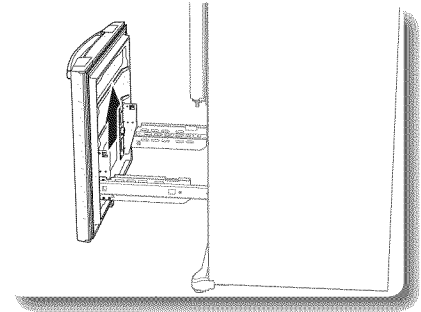
Setting up your French Door Refrigerator



3. After opening the Freezer door, lift the drawer box.

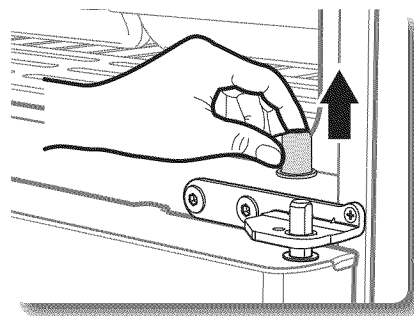


4. Remove 4 hex head bolts from both sides with a socket wrench(10mm)

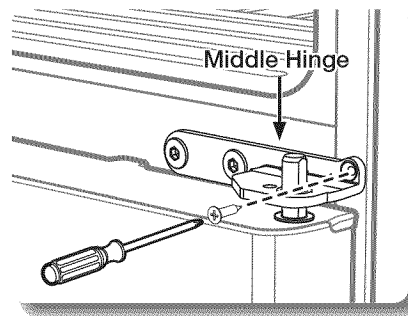


5. Lift up the freezer door from the rails.
Be careful not to drop and scratch the freezer door.

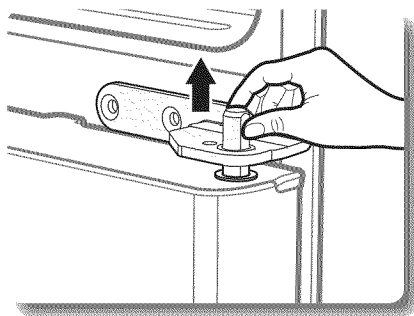
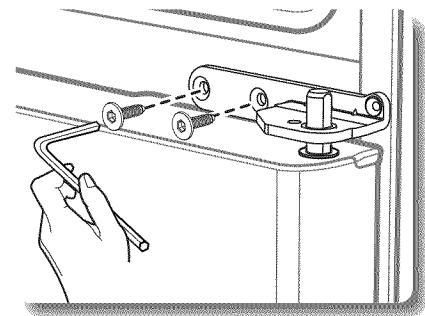
Disassembling the freezer door (SWING TYPE - RF195)



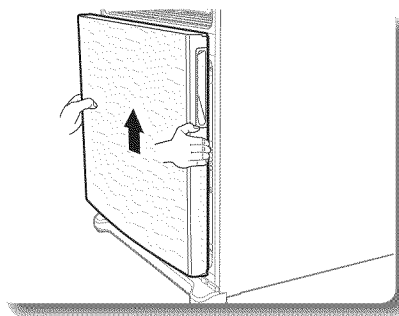
1. Separate the Cap on the Middle Hinge.



2. Remove the screw attached to the left and right middle hinges with a philips screwdriver(+).
Remove the 2 hex head bolts attached to the left and right middle hinges with an allen wrench(3/16").

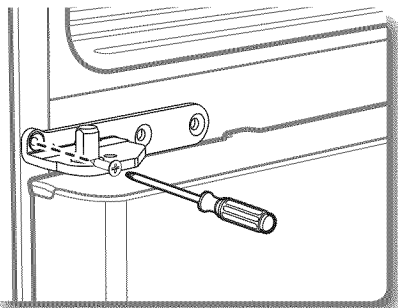


3. Remove the Middle Hinge connected to the Freezer.

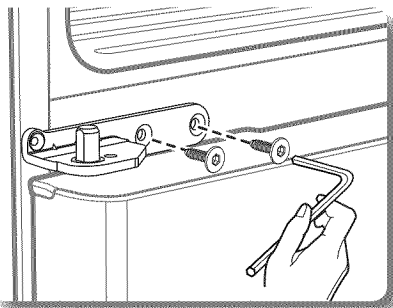


4. Lift up the freezer door from the hinge.
Be careful not to drop and scratch the freezer door.

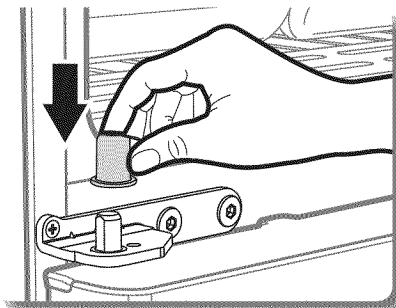
Reassembling the fridge door



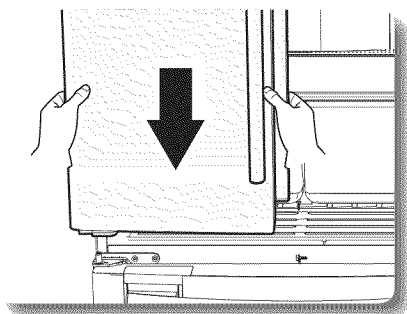
1. Insert and tighten the screw into the left and right middle hinges with a philips screwdriver(+).



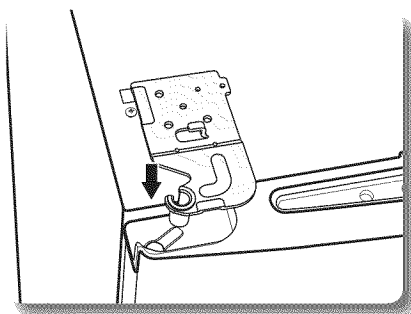
2. Insert and tighten the 2 hex head bolts into the left and right middle hinges with an allen wrench(3/16").



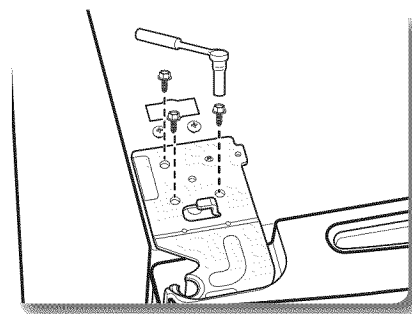
3. Replace the middle hinge cap.



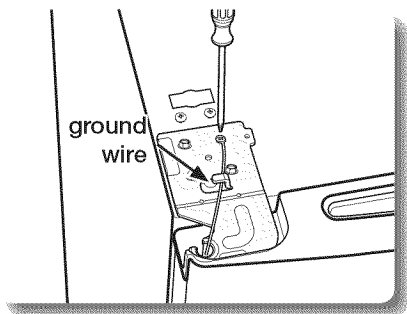
4. Place the hole in the bottom of the left door over the middle hinge.



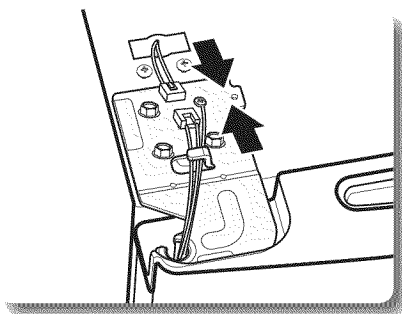
5. Insert the left upper hinge shaft into the hole on the corner of the fridge door.



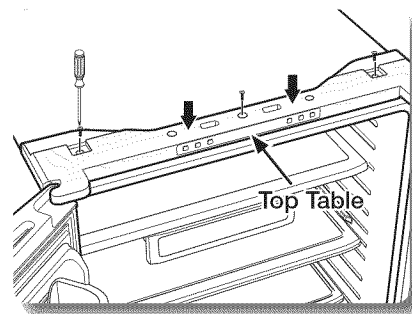
6. Insert the upper hinges into the holes at the top of the door. Insert and tighten the 3 hex head bolts into the left and right upper hinges with a socket wrench.



7. Insert and tighten the ground screw into the left and right upper hinges with a philips screwdriver(+).



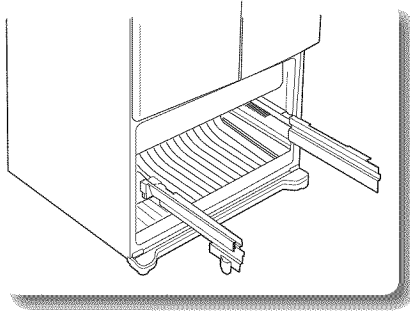
8. Connect the electronic wire on the top of the refrigerator.



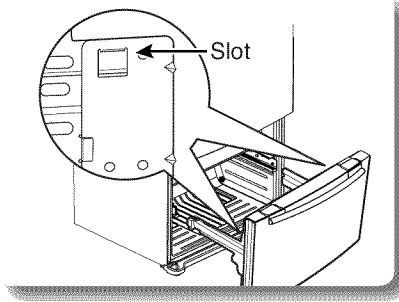
9. Position the top table in place. Insert and tighten the 3 screws into the top table with a philips screwdriver(+).

Setting up your French Door Refrigerator

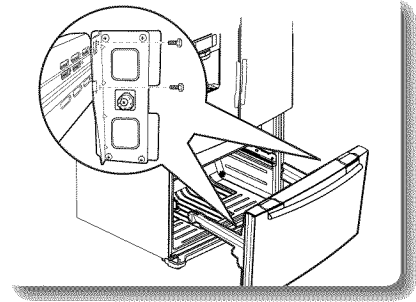
Reassembling the freezer door (DRAWER TYPE - RF217,RF197)



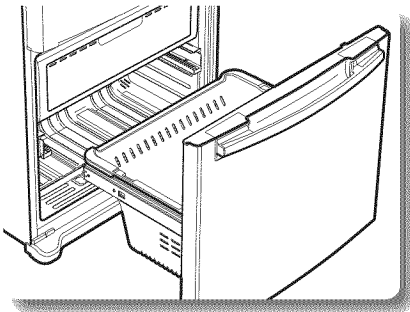
1. Pull out the rails to the full length on each side of the cabinet evenly.



2. Hang the freezer door front onto open slot on the sides.

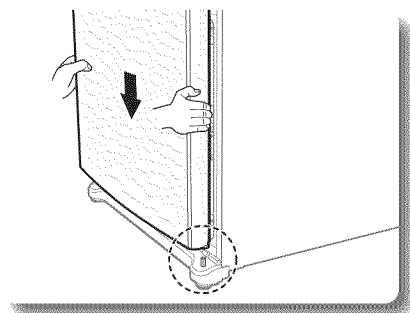


3. With the 10mm wrench, reattach 4 bolts to connect the rail with the door.

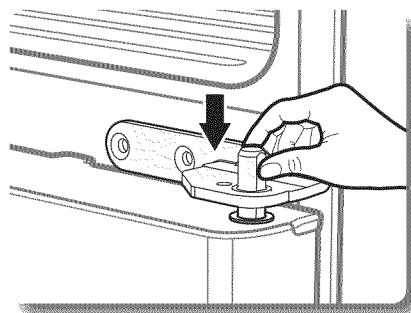


4. With the drawer pulled out fully, insert the drawer box into the rail system.

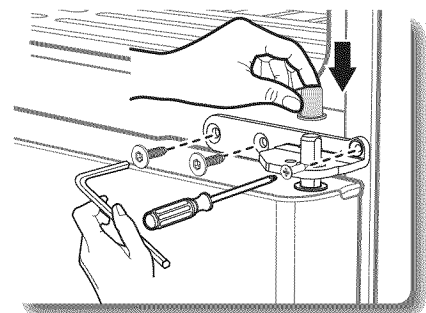
Reassembling the freezer door (SWING TYPE - RF195)



1. Place the hole in the bottom of the freezer door over the right side low hinge.



2. Replace the middle hinge connected to the freezer.



3. Insert and tighten the screw into the left and right middle hinges with a philips screwdriver(+). Insert and tighten the 2 hex head bolts into the left and right middle hinges with an allen wrench(3/16").

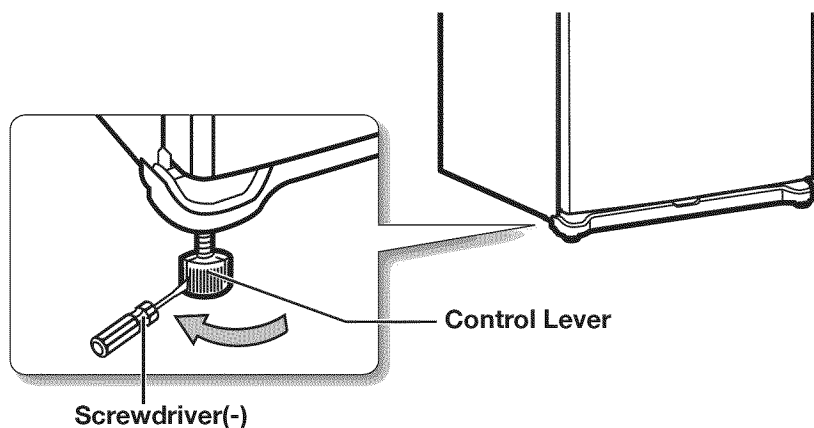
4. Replace the cap on the middle hinge.

ADJUSTING THE DOORS

Now that the doors are back on the Refrigerator, you want to make sure the Refrigerator is level so that you can make final adjustments. If the Refrigerator is not level, it will not be possible to get the doors perfectly even.

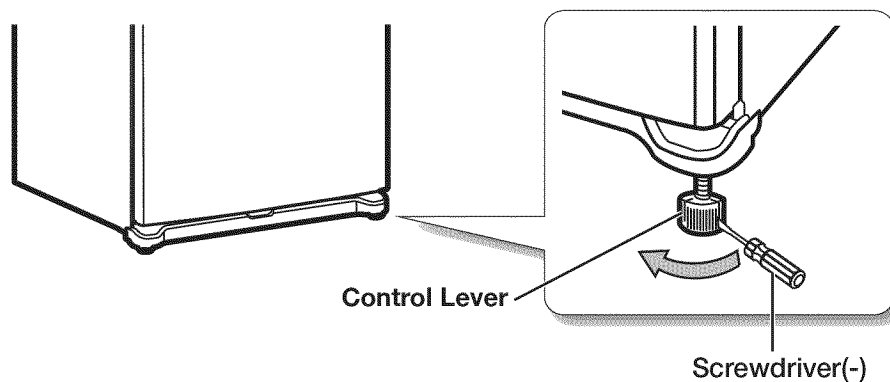
When the Left door is lower than the Right door.

Insert a flat-blade screwdriver into a notch on the left control lever, turn it clockwise or counter-clockwise to level the left door.



When the Left door is higher than the Right door.

Insert a flat-blade screwdriver into a notch on the right control lever, turn it clockwise or counter-clockwise to level the right door.

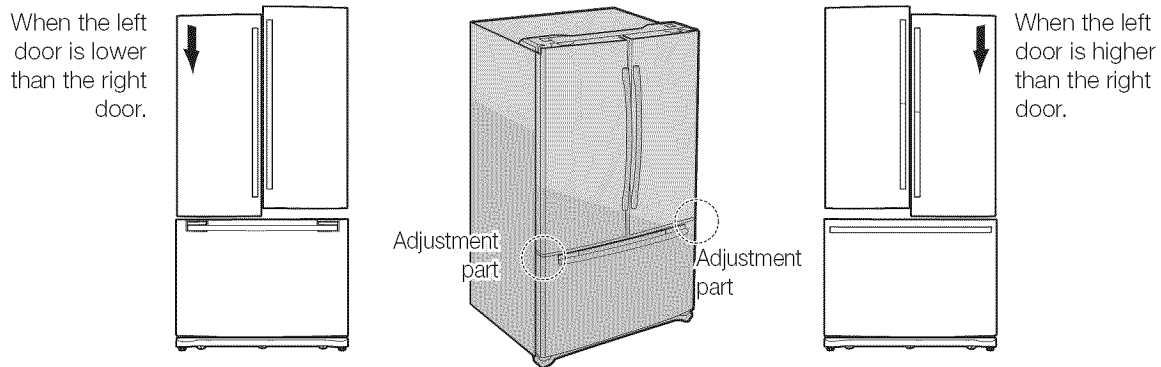


Both control levers must be surely touching the floor to avoid the possible personal injury or property damage because of tipping.

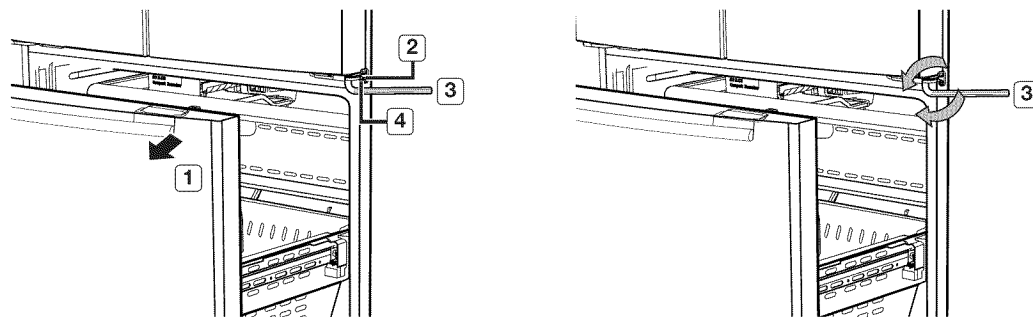
Setting up your French Door Refrigerator


MAKING MINOR ADJUSTMENTS BETWEEN DOORS

Remember, a level Refrigerator is necessary for getting the doors perfectly even. If you need help, review the previous section on leveling the Refrigerator.

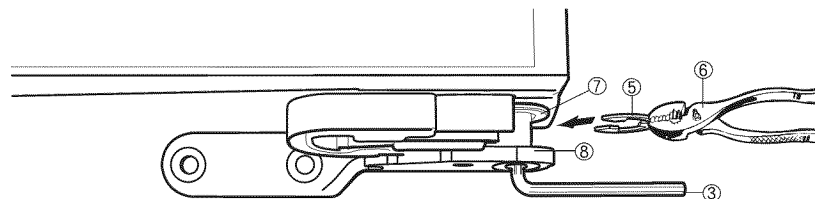



1. Pull out the freezer drawer (**1**), then you can see the middle hinge (**2**).
2. Insert the supplied hex wrench (**3**) into the shaft (**4**) of the middle hinge.
3. Please adjust the height by turning the hex wrench (**3**) clockwise (↻) or counter-clockwise (↺).



 When you turn the hex wrench counter-clockwise(↺), the door will move up.

1. After adjusting the doors, please insert the supplied fastener (**5**) using Pliers (**6**) in the gap between the hinge-grommet (**7**) and the middle hinge (**8**). The number of fasteners you'll need to insert depends on the gap.



 2 fastener are enclosed with the refrigerator.
The thickness of each fastener is 0.04”.

INSTALLATION OF THE WATER LINE

Before You Install the water line

- The water line installation is not warranted by the refrigerator manufacturer. So before you install the water line, read the whole steps for installing and follow these instructions carefully to minimize the risk of expensive water damage.
- Banging pipes (water banging in the pipes) in house plumbing can cause damage to fridge parts and lead to water leakage or flooding. Call a qualified plumber to correct the problem before installing the water supply line to the fridge.
- To prevent burns and product damage, do not hook up the water line to the hot water line.
- Do not install the water line in areas where temperatures fall below freezing.
- When using any electrical device (such as a power drill) during installation, be sure the device is insulated or wired in a manner to prevent electric shock.
- All installations must be in accordance with local plumbing code requirements.

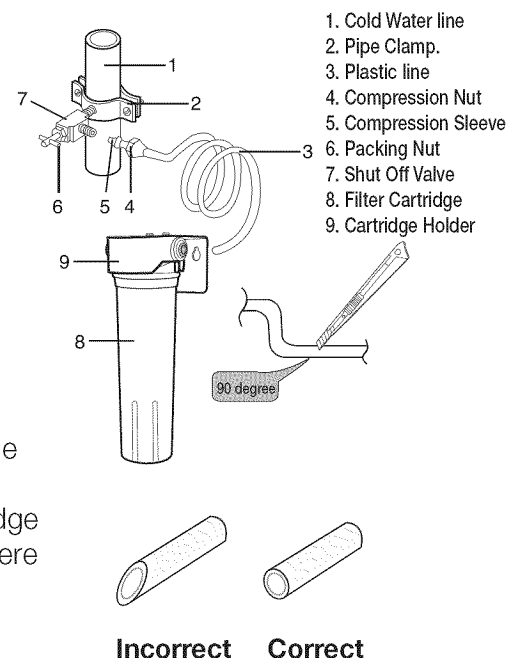
- ☒ • Water line Kit and water filter are not covered by Samsung's Warranty. The manufacturer (or dealer, installer) of them is responsible for any defects and all the loss caused by water filter & water line kit .
 - The filter should be replaced according to manufacturer (or dealer's) instruction.
 - To order additional water filters, please contact the manufacturer (or dealer) of the filter.

Using the water filter (not provided)

Connecting to water supply line


- Shut off the main water supply line and turn the Ice maker to the off position.
- Locate the nearest cold drinking water line.
- Follow the instructions in the water filter installation kit.
- After connecting the water supply line to the Cartridge Holder inlet (insert plastic line in fully), install the Filter Cartridge.
- Turn on water supply and Flush 3 gallons through filter before use (flush approximately 6 minutes)

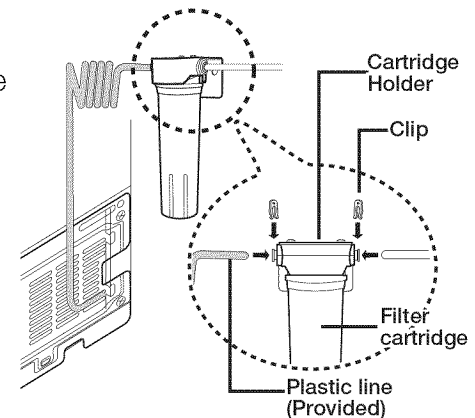
- ☒ • If you want to install a water filter, it must be installed outside the refrigerator. It is not provided with your new refrigerator. The filter cartridge (8) and holder (9) kit can be purchased from the retailer where you purchased this refrigerator.
 - Do not use copper line.
 - Cut the tubing, making sure the ends are square and clean.



Setting up your French Door Refrigerator

Connect the water line to the fridge

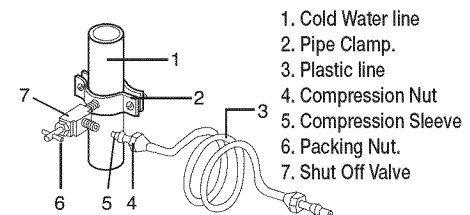
- Connect the plastic line on the back of your fridge to the cartridge holder outlet (fully insert the plastic line to the cartridge holder outlet).
 - Insert plastic clip to the cartridge holder inlet and outlet.
 - Turn water on and check for any leakage.
-  • You can purchase the necessary filter cartridge at the retailer where you purchased this refrigerator. Make sure you buy the SAMSUNG filter cartridge (Replacement cartridge No : DA29-00015A) to ensure the best performance.
- The water line must be connected to drinkable water only
 - A compression fitting and nut kit is supplied with the unit and it is inside the fridge drawer.
 - When pushing the Refrigerator back, make sure you don't roll over the power cord or water line(Icemaker supply line)



To use without the water filter

Connecting to the water supply line

- Shut off the main water supply line and turn the Ice maker to the off position.
- Locate the nearest cold water drinking line.



Connect the water line to the fridge

- 1) Slip the compression nut through the plastic tubing.
- 2) After inserting the compression nut into plastic tubing, tighten the compression nut onto 1/4" compression fitting(Provided).


-  Do not overtighten the compression nut.

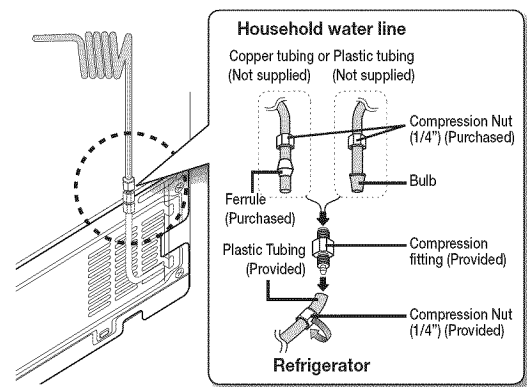
- Using Copper Tubing
 - Slip the compression nut and ferrule on copper tubing as shown.
- Using Plastic Tubing
 - Insert the molded end(Bulb) of the plastic tubing into the compression fitting.



Do not use without the molded end(Bulb) of the plastic tubing.

- 3) Tighten the compression nut onto the compression fitting.
- 4) Turn water on and check for any leakage.

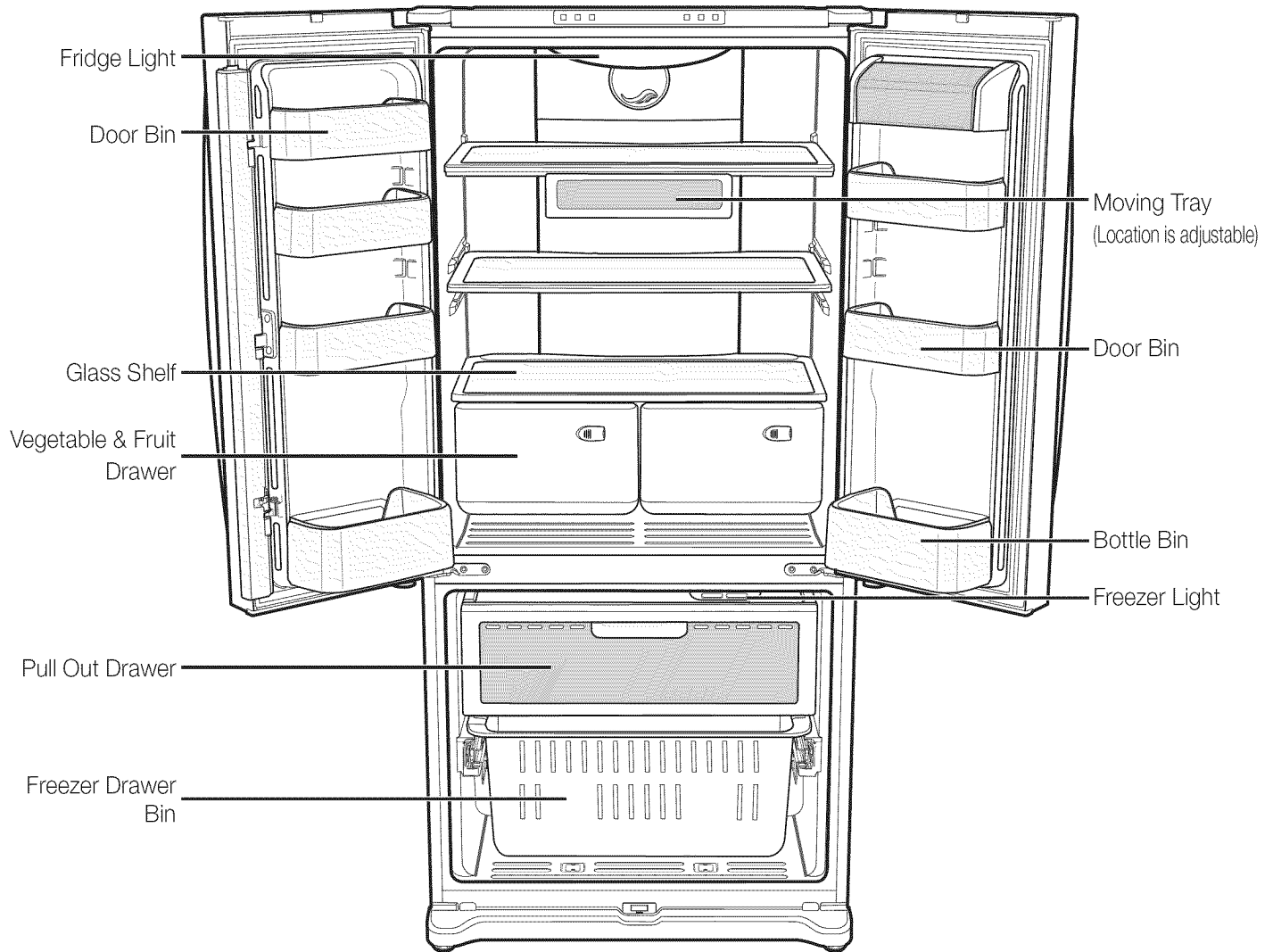
-  • Water line must be connected to drinkable water only.
- When pushing the Refrigerator back, make sure you don't roll over the power cord or water line (Icemaker supply line).



Operating your SAMSUNG Refrigerator

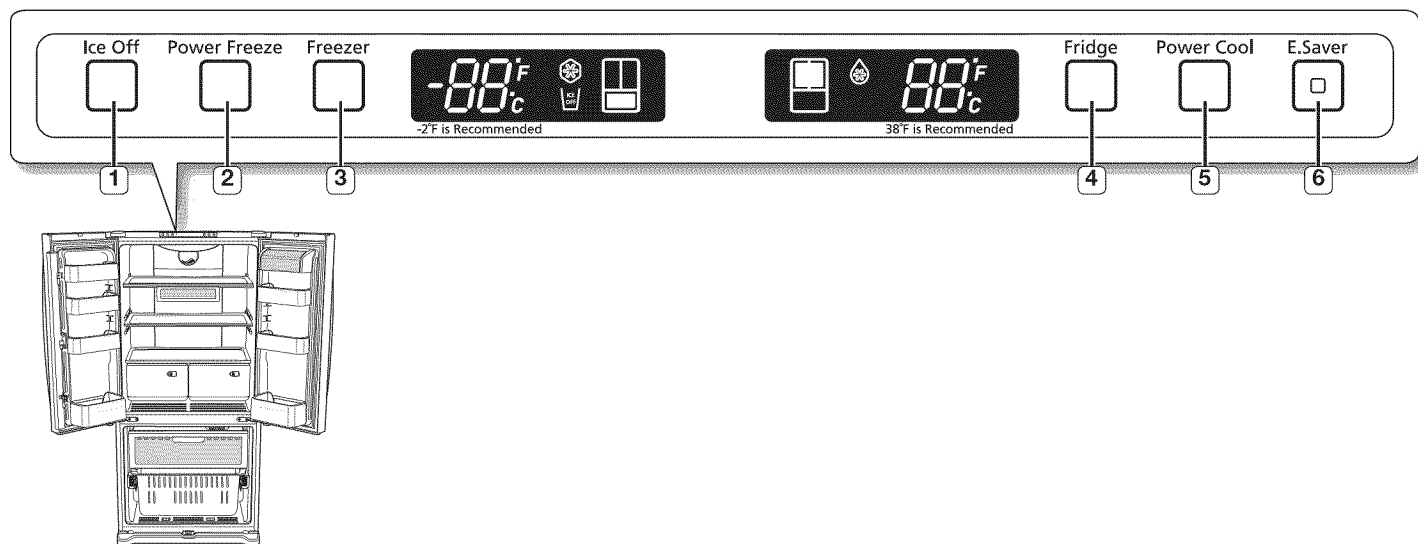
PARTS AND FEATURES

Use this page to become more familiar with the parts and features of the Refrigerator.



Operating your SAMSUNG Refrigerator

USING THE CONTROL PANEL



Temperature & Function select / control panel

(1) Ice Off Button

When the **Ice Off Button** is pressed, ice will not be produced. Use this function only when it is needed.

(2) Power Freeze Button

Press this button to freeze food quickly. (Power Freeze will last 2 and a half hours.)

(3) Freezer Button

Freezer temperature set button. Press this button to set the Freezer temp between 8°F and -8°F. (At initial power on, the default setting is -2°F.)

(4) Fridge Button

Fridge temperature set button. Press this button to set the Fridge temperature in 2°F intervals between 46°F and 34°F. (At initial power on, the default setting is 38°F.)

(5) Power Cool Button

Press this button to cool the food in the fridge quickly. (Power Cool will shut off when 25°F is reached or after 2 and a half hours.)

(6) E.Saver Button

Press the Energy Saver button for better energy efficiency. If water drops appear on the doors, turn the Energy Saver function off.

CONTROLLING THE TEMPERATURE



Setting the freezer temperature

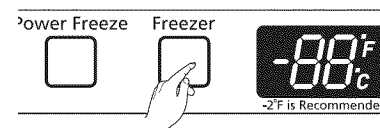
If you want to control the freezer temperature, follow as below.


Press the **Freezer** Button (Refer the picture)

- The temperature can be set in 2°F interval between -8°F and 8°F.
- Each time the **Freezer** Button is pressed, the temperature setting will change as follows; (-2°F → -4°F → -6°F → -8°F → 8°F → 6°F → 4°F → 2°F → 0°F → -2°F)

When selecting the temperature, the set temperature is displayed initially for 5 seconds, then the actual temperature is displayed.

(There may be slight difference between the set temperature and displayed actual temperature, but it will be corrected to the set temperature automatically.)



-  - The Freezer temperature will change depending on the number of door openings, quantity of food, ambient temperature, etc.
 - The temperature display will blink when freezer temperature increases due to frequent door opening, keeping warm food, etc.
- (Blinking will stop when the refrigerator reaches normal temperature. If for some reason it does not stop after a long period of time, contact a Samsung service center.)

Setting the fridge temperature

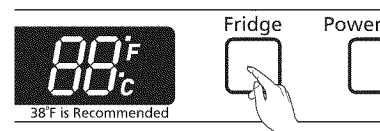
If you want to control the fridge temperature, follow as below.

Press the **Fridge** Button (Refer the picture)

- The temperature can be set in 2°F interval between 34°F and 46°F.
- Each time the **Fridge** Button is pressed, the temperature setting will change as follows; (38°F → 36°F → 34°F → 46°F → 44°F → 42°F → 40°F → 38°F)

Operating your SAMSUNG Refrigerator

When selecting the fridge temperature, the set temperature is displayed initially for 5 seconds, then the actual temperature is displayed. (There may be slight difference between the set temperature and displayed actual temperature, but it will be corrected to the set temperature automatically.)



- The Fridge temperature will change depending on the number of door openings, quantity of food, ambient temperature, etc.
 - Temperature of each shelf or container in the fridge may be different.
 - The temperature display will blink when fridge temperature is increases due to frequent door opening, keeping warm food, etc.
- (Blinking will stop when the refrigerator reaches normal temperature. If for some reason it does not stop after a long period of time, contact a Samsung service center.)

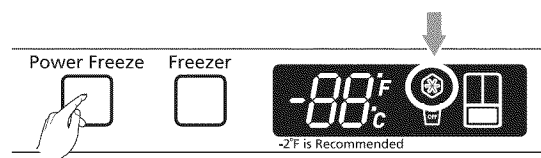
If you want to make ice faster (Controlling the Power Freeze)

Press the **Power Freeze** Button. (Refer to the picture.)

- The power Freeze light on the display goes on (see the arrow mark) and this function begins to operate regardless of the set freezer temperature.

Press the **Power Freeze** Button again to cancel this function.

- The light goes off and it operates at the set freezer temperature again.



- The Power Freeze function operates for 2 and a half hours regardless of the set temperature.

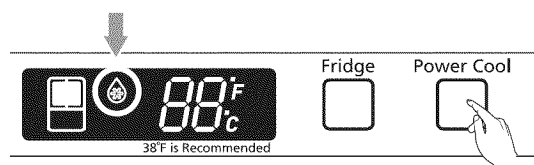
If you want to speed up the cooling in the Fridge (Power Cool)

Press the **Power Cool** Button. (Refer to the picture.)

- The Power cool light on the display goes on (see the arrow mark) and this function begins to operate regardless of the set fridge temperature.

Press the **Power Cool** Button again to cancel this function.


- The light goes off and it operates at the set fridge temperature again.



- The Power Cool function operates for 2 and a half hours regardless of the set temperature.

Cooling Off Mode (“OF & OF” code on the display)

 This function is for store display refrigerators. It is not for customer use.

CAUTION  In Cooling Off Mode, the refrigerator works but doesn't make cool air. To cancel this mode, press the Power Freeze and Freezer buttons at the same time for 3 seconds until a “Ding-dong” sound is heard. The unit will now cool.



Ice Maker Operation

The ice maker will produce 8 cubes per cycle - approximately 100~130 cubes in a 24-hour period, depending on freezer compartment temperature, room temperature, number of door openings and other use conditions.

Throw away the first few batches of ice to allow the water line to clear.

Be sure nothing interferes with the sweep of the feeler arm.

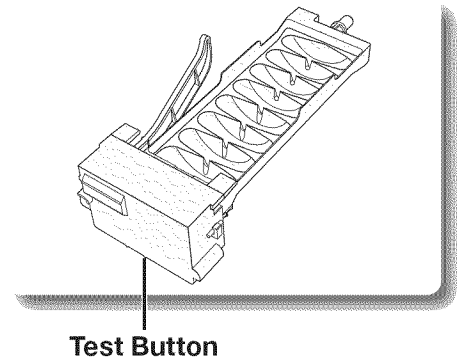
When the bin fills to the level of the feeler arm, the icemaker will stop producing ice.

After the icemaker has been turned on again, there will be a time delay before the icemaker resumes operation.

It is normal for several cubes to be joined together.

If ice is not used frequently, old ice cubes will become cloudy, taste stale and shrink.

So if you don't want to make ice, press the Ice Off button.







CAUTION  **Test button** If ice doesn't come out, pull out the ice maker and press the Test Button located on the lower front side of ice maker. (Refer to the picture for the location.)

Operating your SAMSUNG Refrigerator

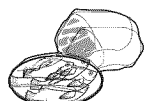

STORING FOOD IN THE REFRIGERATOR

The Samsung Refrigerator has been designed to provide you with maximum space saving features and functions. Here are some of the customized compartments we have created to keep your food fresher longer. In order to further prevent odor from seeping into the ice compartment, stored food should be wrapped securely and as airtight as possible.

Moving Tray	Can be used to store small dairy items like butter or margarine, yogurt or cream cheese bricks	 butter/cheese
Bottle Bin	Designed to handle large, bulky items such as gallons of milk or other large bottles and containers.	
Fridge Shelves	Designed to be crack-resistant, the shelves can be used to store all types of food and drinks. Circular marks on the glass surface are a normal phenomenon and can usually be wiped clean with a damp cloth.	
Vegetable & Fruit Drawers	Used for preserving the freshness of your stored vegetables and fruits. This drawer has been specifically designed to control the level of humidity within the compartment. Keep vegetables and fruits separate when possible.	

- Do not place any large articles of food under the lamp in the Refrigerator. An air sensor is located near the lamp and if the sensor is blocked, your Refrigerator may become too cold. Please place Vegetable and Fruits in the Vegetable and Fruits Drawers to avoid freezing them. If the food in your Refrigerator becomes frozen, please set the temperature higher.

STORING FOOD IN THE FREEZER DRAWER

Pull Out Drawer	Best used to store meats or dry foods. Stored food should be placed in a container or wrapped securely using plastic wrap or other suitable wrapping materials.	
Freezer Drawer Bin	Can be used to store meat and dry foods. Stored food should be placed in a container or wrapped securely using plastic wrap or other suitable wrapping materials.	

- Bottles should be stored tightly together so that they do not tip and fall out when the Refrigerator door is opened.
- If you plan to go away for a long time, empty the Refrigerator and turn it off. Wipe the excess moisture from the inside of the appliance and leave the doors open. This helps keep odor and mold from developing.

FOOD STORAGE TIPS

Foods	Refrigerator	Freezer	Storage Tips
DAIRY PRODUCTS			
Butter	2-3 Weeks	6-9 Months	Wrap or cover tightly.
Milk	1-2 Weeks	Not recommended	Check date code. Most milk and similar products are sold in date-coded cartons that indicate a products's peak freshness. Re-seal with cap or wrap tightly. Do not return unused portions to original container.
Cream Cheese, cheese food, and cheese spread	2-4 Weeks	Not recommended	Check date code. Keep all cheese tightly packed in moisture proof wrap
Hard Cheese (un-opened)	3-4 Months	6 Months	
Hard Cheese (opened)	2 Months	Not recommended	
Cottage Cheese	10-15 Days	Not recommended	
Cream	7-10 Days	2 Months	Check date code. Most yogurt, creams, and similar products are sold in date-coded cartons that indicate a product's peak freshness. Re-seal or cover tightly. Do not return unused portions to original container.
Sour Cream	2 Weeks	Not recommended	
Cream Dips (opened)	1 Week	Not recommended	
Yogurt	10-14 Days	Not recommended	Check date code. Keep covered.
Frozen Yogurt	n/a	2 Months	
EGGS			
Eggs (uncooked)	3-4 Weeks	Not recommended	Check date code. Store eggs in coldest part of refrigerator and in their original container.
Eggs (cooked)	1 weeks	Not recommended	Store in covered container
Leftover egg dishes	3-4 Days	Not recommended	Store in covered container
FRESH FRUITS			
Apples	1 Month	Not recommended	If storing in refrigerator, do not wash fruit before storing. Store in moisture resistant bags or containers. Wrap cut fruits. Some fruits darken when refrigerated.
Bananas	2-4 Days	Not recommended	
Peaches, Melons, Pears, Avocados	3-5 Days	Not recommended	
Berries and Cherries	2-3 Days	12 Months	
Apricots	3-5 Days	Not recommended	
Grapes	2-5 Days	n/a	
Pineapple (un-cut)	2-3 Days	Not recommended	
Pineapple (cut)	5-7 Days	6-12 Months	
Citrus	1-2 Weeks	Not recommended	Store uncovered.
Juice	6 Days	Not recommended	Check date code and re-seal in original container. Do not return unused portions to original container.
Frozen Juice	Thawing only	12 Months	Check date code. Do not re-freeze.
FISH AND SHELLFISH			

Operating your SAMSUNG Refrigerator

Foods	Refrigerator	Freezer	Storage Tips
Fish			
Fatty Fish (mackerel, trout, salmon)	1-2 Days	2-3 Months	Keep in original wrapper and store in coldest part of refrigerator. Package in vapor-proof and moisture proof wrap for freezer. Freeze at 0°F. Thaw in refrigerator or Check date code. Freeze in original packaging.
Lean Fish (cod, flounder, etc)	1-2 Days	6 Months	
Frozen or Breaded	n/a	3 Months	
Shellfish			
Shrimp (uncooked)	1-2 Days	12 Months	Freeze package in vapor and moisture-proof container.
Crab	3-5 Days	10 Months	
Cooked Fish or Shellfish	2-3 Days	3 Months	
MEAT			
Fresh, Uncooked			
Chops	2-4 Days	6-12 Months	Check date code for use. Store in coldest part of refrigerator in original packaging. Use additional moisture and vapor-proof container for freezing. Recommended refrigerator temperature 33°F to 36°F and freezer temperature 0°F to 2°F
Ground	1 Day	3-4 Months	
Roast	2-4 Days	6-12 Months	
Bacon	1-2 Weeks	1-2 Months	
Sausage	1-2 Days	1-2 Months	
Steak	2-4 Days	6-9 Months	
Poultry	1 Day	12 Months	
Lunch meat	3-5 Days	1 Month	
Cooked			
Meat	2-3 Days	2-3 Months	Check date code for use. Store in coldest part of refrigerator in original packaging. Place package in moisture and vapor-proof container for freezing.
Poultry	2-3 Days	4-5 Months	
Ham	1-2 weeks	1-2 Months	

Sources:


American Meat Institute Foundation. 1994. Yellow pages: answers to predictable questions consumers ask about meat and poultry.
 American Meat Institute Food Marketing Institute. 1999. The food keeper. Food Marketing Institute, Washington, D.C. Freeland-Graves, J.H. and G.C. Peckham. 1996. Foundations of food preparation, 6th ed. Prentice-Hall, Inc. Englewood Cliffs, NJ. Hillers, V.N. 1993. Storing foods at home. Washington State University Cooperative Extension, Pullman, WA. Publ. EB 1205.
 National Restaurant Association. 2001. Be cool-chill out! Refrigerate promptly. National Restaurant Association Education Foundation
 International Food Safety Council, Washington, D.C. USDA. 1997. Basics for handling food safely. U.S. Department of Agriculture, Food Safety and Inspection Service, Washington, D.C.

REMOVING THE FRIDGE ACCESSORIES

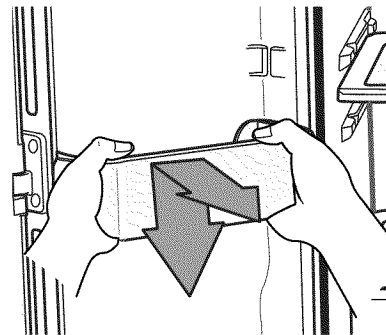
1. Door Bins

To remove - Simply lift the bin up and pull straight out.
To replace - Slide it in above the desired location and push down until it stops.

CAUTION Injury may occur if the door bins are not firmly inserted. Do not allow children to play with bins. Sharp corners of the bins may cause injury.

 Do not adjust a bin full of foods.

Dust removal method -Remove the guard and wash in water.

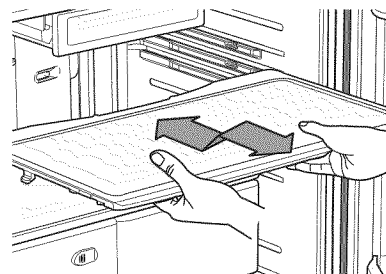


2. Fridge shelves

To remove - When pulling out the shelf, if it does not slide out easily, lift it up slightly and pull out again.

To replace - When pushing in the shelf, if it does not slide in easily, lift it up slightly and push in again.

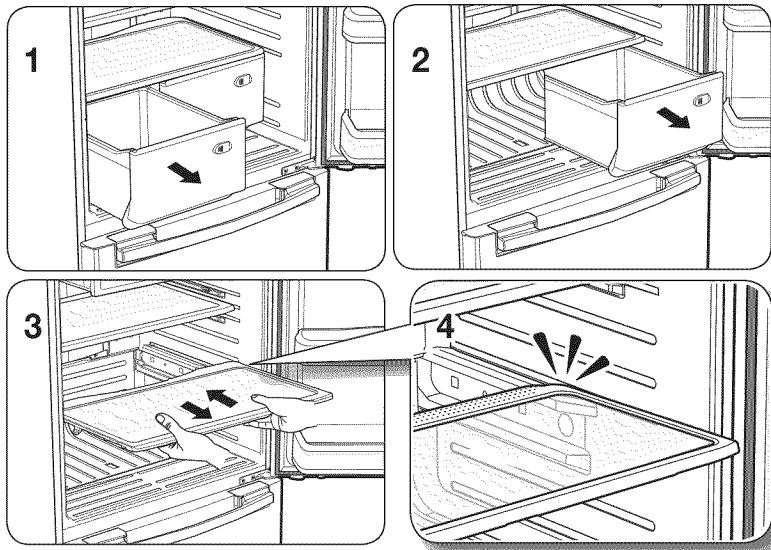
CAUTION The Glass shelves are heavy. Use special care when removing them.




3. Vegetable & Fruit Drawers

To remove - Pull the drawer out to full extension. Tilt up the front of the drawer and pull straight out. (Refer to picture 1~3)

To replace - Insert the drawer into the frame rails and push back into place. (Refer to picture 4)



 The drawers need to be removed before the glass shelf above them can be lifted out.

Operating your SAMSUNG Refrigerator

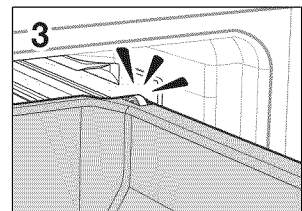
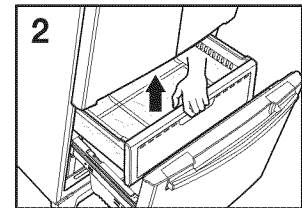
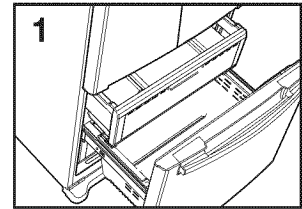
REMOVING THE FREEZER ACCESSORIES

1. Pull Out Drawer

To remove - Pull the drawer out to full extension.
Tilt up rear of drawer and lift straight out.
(Refer to picture 1 & 2)

Open the freezer door fully and remove the drawer.

To replace - Place the drawer onto the rails by tilting it up. Lower the drawer into place until it is horizontal and slide the drawer in.
(Refer to picture 3)



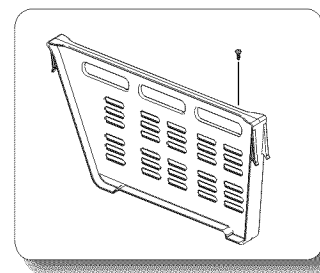
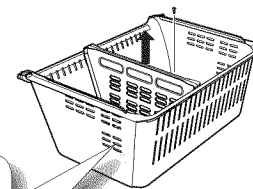
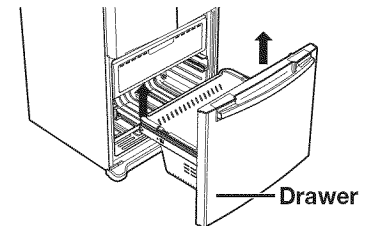
2. Freezer Drawer Bin

To remove the drawer - Pull the drawer out fully. Tilt up the rear of the bin and lift it out to remove.

To relocate the drawer - Place the bin into the rail assembly.

To remove the divider - Remove the 1 screw and pull the divider straight up.

To relocate the divider - Hook the top corners of the divider over the hole of the bin. Insert and tighten the 1 screw.



Do not allow baby or children go inside the drawer bin. They could damage the Refrigerator and seriously injure themselves. Do not sit on the Freezer door. The door may break. Do not allow children to climb into the Freezer basket.



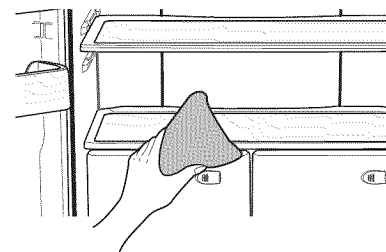
If you remove the divider to clean the basket bin, you must reinstall the divider using 1 screw after cleaning to prevent children from getting trapped inside the basket.

CLEANING THE REFRIGERATOR

Caring for your Samsung Refrigerator prolongs the life of your appliance and helps keep it odor and germ-free.

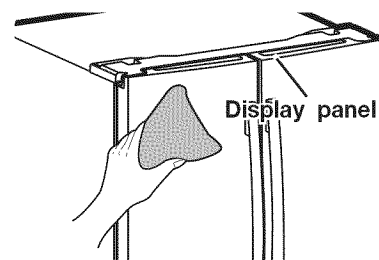
Cleaning the Interior

Clean the inside walls and accessories with a mild detergent and then wipe dry with a soft cloth. You can remove the drawers and shelves for a more thorough cleaning. Just make sure to dry drawers and shelves before putting them back into place.



Cleaning the Exterior

Wipe the display panel with a damp, clean and soft cloth. Do not spray water directly on the surface of the Refrigerator. The doors, handles and cabinet surfaces should be cleaned with a mild detergent and then wiped dry with a soft cloth. To keep your appliance looking its best, the exterior should be polished once or twice a year.



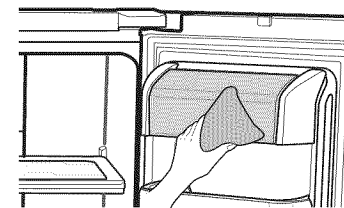
Do not use Benzene, Thinner, car detergent, or Clorox for cleaning. They may damage the surface of the appliance and may cause fire.

Printed letters on the display may come off if you spray the cleaning products directly on the product.



Cleaning the Rubber door seals

If the rubber door seals are dirty, the doors may not close properly, and the Refrigerator will not operate efficiently. Keep the door seals free of grit or grime by cleaning the doors with a mild detergent and damp cloth. Wipe dry with a clean, soft cloth.

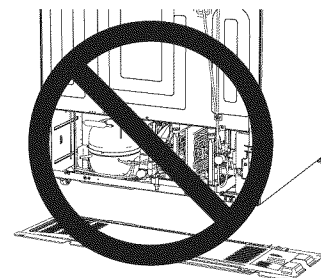


Cleaning behind the Refrigerator

To keep cords and exposed parts free of dust and dirt accumulation, vacuum behind the appliance once or twice a year.



Do not remove the back cover. Doing so may cause an electric shock.



Operating your SAMSUNG Refrigerator

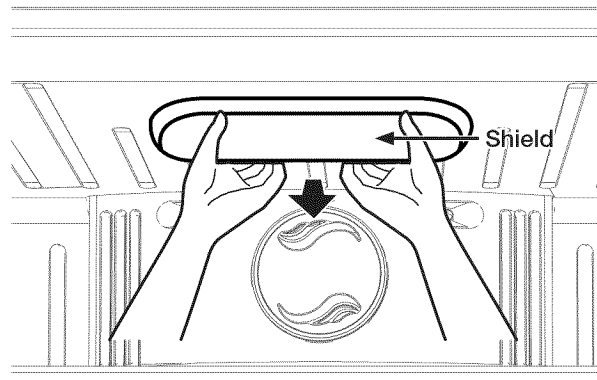
CHANGING THE INTERIOR LIGHTS



Before changing any of interior lights, unplug the Refrigerator from the power supply. If you are unsure about changing the lights after reading through these directions, contact a Samsung service center for help.

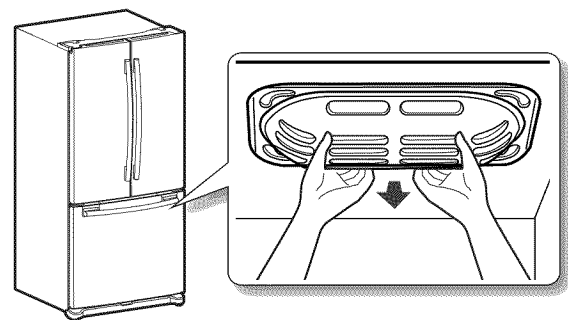
Changing the Interior Light in the Refrigerator

1. Unplug the power cord from the outlet.
2. Pull the shield down while pushing it backwards to remove it.
3. The light bulb may be hot so be careful when touching the bulb.
4. Turn the bulb counterclockwise.
5. Assembly is the reverse order of disassembly.

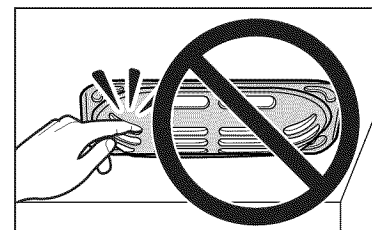


Changing the Interior Light in the Freezer Drawer

1. Unplug the power cord from the outlet.
2. Pull drawer out to full extension.
3. Pull the shield down while pushing it backwards to remove it.
4. The light bulb may be hot.
Be careful when touching the bulb.
5. Turn the bulb counterclockwise.
6. Assembly is the reverse order of disassembly.



Do not place your fingers inside the cover. The light bulb may be hot.



Troubleshooting

PROBLEM	SOLUTION
The Refrigerator does not work at all or it does not chill sufficiently.	<ul style="list-style-type: none"> • Check that the power plug is properly connected. • Is the temperature control on the display panel set to the correct temperature? Try setting it to a lower temperature. • Is the Refrigerator in direct sunlight or located near a heat source? • Is the back of the Refrigerator so close to the wall that air cannot keep circulating? (Refer to page 10 for the best location.)
The food in the Refrigerator is frozen.	<ul style="list-style-type: none"> • Is the temperature control on the display set to the correct temperature? Try setting it to a warmer temperature. • Is the temperature in the room too low? • Did you store the food too close to the air vent at the back of the Refrigerator? Move the food away from the air vent.
You hear unusual noise or sounds.	<ul style="list-style-type: none"> • Check that the Refrigerator is level and stable. • Is the back of the Refrigerator too close to the wall and therefore keeping air from circulating? • Was anything dropped behind or under the Refrigerator? • A “ticking” sound is heard from inside the Refrigerator. It is normal and occurs because various accessories are contracting or expanding according to the temperature of the Refrigerator interior.
The front corners and vertical hinged section of the appliance are hot and condensation is occurring.	<ul style="list-style-type: none"> • Some heat is normal as anti-condensators are installed in the vertical hinged section of the Refrigerator to prevent condensation. • Is the Refrigerator door ajar? Condensation can occur when you leave the door open for a long time.
Ice Maker is not producing ice.	<ul style="list-style-type: none"> • Did you wait for 12 hours after installation of the water supply line before making ice? • Is the water line connected and the shut-off valve opened? • Did you manually stop the ice making function? • Is the Freezer temperature too warm? Try setting the Freezer temperature lower.
You hear water bubbling in the Refrigerator.	<ul style="list-style-type: none"> • This is normal. The bubbling comes from the Refrigerator coolant liquid circulating through the Refrigerator.
There is a bad smell in the Refrigerator.	<ul style="list-style-type: none"> • Check for spoiled food. • Foods with strong odors(for example, fish) should be tightly covered. • Clean out your Freezer periodically and throw away any spoiled or suspicious food.
Frost forms on the walls of the Freezer.	<ul style="list-style-type: none"> • Is the air vent blocked? Remove any obstructions so air can circulate freely. • Allow sufficient space between the foods stored for efficient air circulation. • Is the Freezer drawer closed properly?
Water dispenser is not functioning. (Water dispenser models only)	<ul style="list-style-type: none"> • Is the water line connected and the shut-off valve opened? • Has the water supply line tubing been crushed or kinked? Make sure the tubing is free and clear of any obstruction. • Is the water tank frozen because the Refrigerator temperature is too low? Try selecting a warmer setting on the main display panel.

Warranty

SAMSUNG REFRIGERATOR

LIMITED WARRANTY TO ORIGINAL PURCHASER

This Samsung brand product, as supplied and distributed by Samsung Electronics America, Inc. (Samsung) and delivered new, in the original carton to the original consumer purchaser, is warranted by Samsung against manufacturing defects in materials and workmanship for a limited warranty period of:

One (1) year Parts and Labor on Refrigerator

Five (5) years Parts and Labor on sealed Refrigeration system only*

(*Compressor, evaporator, condenser, drier, connecting tubing)

This limited warranty begins on the original date of purchase, and is valid only on products purchased and used in the United States. To receive warranty service, the purchaser must contact Samsung for problem determination and service procedures. Warranty service can only be performed by a Samsung authorized service center. The original dated bill of sale must be presented upon request as proof of purchase to Samsung or Samsung authorized service center.

Samsung will repair or replace any part found to be defective, at our option and at no charge as stipulated herein, with new or reconditioned parts during the limited warranty period specified above. All replaced parts and products become the property of Samsung and must be returned to Samsung. Replacement parts and products assume the remaining original warranty, or ninety (90) days, whichever is longer.

In-home service will be provided during the warranty labor period subject to availability within the contiguous United States. In-home service is not available in all areas. To receive in-home service, the product must be unobstructed and accessible from floor level to service personnel. If during in-home service repair cannot be completed, it may be necessary to remove, repair and return the product. If in-home service is unavailable, Samsung may elect, at our option, to provide for transportation of our choice to and from a Samsung authorized service center. Otherwise, transportation to and from the Samsung authorized service center is the responsibility of the purchaser.

This limited warranty covers manufacturing defects in materials and workmanship encountered in normal, noncommercial use of this product, and shall not apply to the following, including, but not limited to: damage which occurs in shipment; delivery and installation; applications and uses for which this product was not intended; altered product or serial numbers; cosmetic damage or exterior finish; accidents, abuse, neglect, fire, water, lightning or other acts of nature; use of products, equipment, systems, utilities, services, parts, supplies, accessories, applications, installations, repairs, external plumbing and leaks, external wiring, circuit breakers, fuses or connectors not supplied and authorized by Samsung, or which damage this product or result in service problems; incorrect electrical line voltage, fluctuations and surges; customer adjustments and failure to follow operating instructions, cleaning, maintenance and environmental instructions that are covered and prescribed in the instruction book; loss of food due to spoilage; consumable items including filters and light bulbs.

THERE ARE NO EXPRESS WARRANTIES OTHER THAN THOSE LISTED AND DESCRIBED ABOVE, AND NO WARRANTIES WHETHER EXPRESS OR IMPLIED, INCLUDING, BUT NOT LIMITED TO, ANY IMPLIED WARRANTIES OF MERCHANTABILITY OR FITNESS FOR A PARTICULAR PURPOSE, SHALL APPLY AFTER THE EXPRESS WARRANTY PERIODS STATED ABOVE, AND NO OTHER EXPRESS WARRANTY OR GUARANTY GIVEN BY ANY PERSON, FIRM OR CORPORATION WITH RESPECT TO THIS PRODUCT SHALL BE BINDING ON SAMSUNG. SAMSUNG SHALL NOT BE LIABLE FOR LOSS OF REVENUE OR PROFITS, FAILURE TO REALIZE SAVINGS OR OTHER BENEFITS, OR ANY OTHER SPECIAL, INCIDENTAL OR CONSEQUENTIAL DAMAGES CAUSED BY THE USE, MISUSE OR INABILITY TO USE THIS PRODUCT, REGARDLESS OF THE LEGAL THEORY ON WHICH THE CLAIM IS BASED, AND EVEN IF SAMSUNG HAS BEEN ADVISED OF THE POSSIBILITY OF SUCH DAMAGES. NOR SHALL RECOVERY OF ANY KIND AGAINST SAMSUNG BE GREATER IN AMOUNT THAN THE PURCHASE PRICE OF THE PRODUCT SOLD BY SAMSUNG AND CAUSING THE ALLEGED DAMAGE. WITHOUT LIMITING THE FOREGOING, PURCHASER ASSUMES ALL RISK AND LIABILITY FOR LOSS, DAMAGE OR INJURY TO PURCHASER AND PURCHASER'S PROPERTY AND TO OTHERS AND THEIR PROPERTY ARISING OUT OF THE USE, MISUSE OR INABILITY TO USE THIS PRODUCT SOLD BY SAMSUNG NOT CAUSED DIRECTLY BY THE NEGLIGENCE OF SAMSUNG. THIS LIMITED WARRANTY SHALL NOT EXTEND TO ANYONE OTHER THAN THE ORIGINAL PURCHASER OF THIS PRODUCT, IS NONTRANSFERABLE AND STATES YOUR EXCLUSIVE REMEDY.

Some states do not allow limitations on how long an implied warranty lasts, or the exclusion or limitation of incidental or consequential damages, so the above limitations or exclusions may not apply to you. This warranty gives you specific legal rights, and you may also have other rights, which vary from state to state.

To obtain warranty service, please contact Samsung at:

SAMSUNG CUSTOMER CARE CENTER

Samsung Electronics America, Inc. 400 Valley Road Suite 201 Mt. Arlington, NJ 07956

1-800-SAMSUNG (1-800-726-7864) and www.samsung.com





RF195AB
RF197AB
RF217AB

Refrigerador Manual de usuario

spanish

imagine las posibilidades

Gracias por adquirir un producto Samsung.
Para recibir un servicio más completo,
registre su producto en
www.samsung.com/register

Dispositivo independiente

SAMSUNG

Características de su nuevo refrigerador

CARACTERÍSTICAS PRINCIPALES DE SU NUEVO REFRIGERADOR

Su refrigerador Samsung está equipado con multitud de características innovadoras de almacenamiento y eficiencia energética.

- **Sistema de doble refrigeración**

El refrigerador y la heladera disponen de evaporadores independientes. Gracias a este sistema de enfriamiento, la heladera y el refrigerador refrigeran de forma más eficiente. Además, este sistema de flujo de aire independiente evita que los olores de los alimentos situados en uno de los compartimentos penetren en el resto.

- **Espacio más grande y ancho**

La zona de balda ancha ofrece espacio suficiente para los artículos de mayor tamaño. La gaveta ancha de la heladera proporciona, asimismo, espacio suficiente para 2 ó 3 pavos.

- **Cierre automático de seguridad**

El cierre automático de seguridad cerrará de forma automática una puerta entreabierta.

- **Pantalla de visualización y control de temperatura digital**

La pantalla digital de fácil lectura realza el diseño de su cocina y le permite controlar la temperatura de un modo preciso.

- **Alarma de puerta**

Una útil alarma le avisa cuando una puerta queda entreabierta.

- **Tirador simple**

La puerta de la heladera puede abrirse con menos esfuerzo.

- **Energy star**

Este producto etiquetado con el sello Energy star puede ahorrarle dinero en su factura de electricidad.



Para facilitar consultas futuras, anote a continuación el modelo y número de serie. Encontrará sus números de modelo y de serie en el lateral izquierdo del refrigerador.

Nº de modelo _____







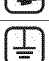



Nº de serie _____

Información de seguridad

INFORMACIÓN DE SEGURIDAD

Antes de poner en marcha el electrodoméstico, sírvase leer íntegramente este manual y guardarlo para futuras consultas. Use este electrodoméstico exclusivamente con la finalidad para la que fue diseñado, como describe este manual de instrucciones. Este electrodoméstico no ha sido diseñado para ser usado por personas con capacidades físicas, sensoriales o mentales mermadas (niños incluidos), o faltas de experiencia o conocimientos, a menos que estén bajo supervisión o dispongan de instrucciones relativas al uso del electrodoméstico proporcionadas por una persona responsable de su seguridad. Este electrodoméstico no ha sido diseñado para ser usado por personas con capacidades físicas, sensoriales o mentales mermadas (niños incluidos), o faltas de experiencia o conocimientos, a menos que estén bajo supervisión o dispongan de instrucciones relativas al uso del electrodoméstico proporcionadas por una persona responsable de su seguridad. Como las siguientes instrucciones de funcionamiento están destinadas a varios modelos, las características de su refrigerador pueden diferir ligeramente de las descritas en este manual. Si tiene cualquier pregunta, póngase en contacto con nosotros en el 1-800-SAMSUNG o busque ayuda e información online en www.samsung.com.


Símbolos y medidas de seguridad importantes:

 PELIGRO	Prácticas peligrosas o inseguras que pueden ocasionar lesiones físicas graves o peligro de muerte.
 PRECAUCIÓN	Prácticas peligrosas o inseguras que pueden ocasionar lesiones físicas leves o daños materiales.
	NO intentar.
	NO desmontar.
	NO tocar.
	Siga atentamente las instrucciones.
	Desenchufar el cable de alimentación del tomacorriente.
	Asegurarse de que la máquina está conectada a tierra para evitar choques eléctricos.
	Póngase en contacto con el centro de asistencia para obtener ayuda.
	Nota:

Estas señales de advertencia están destinadas a la prevención de lesiones personales o a terceros. Sígalas atentamente.
Tras leer esta sección, guárdela en lugar seguro para futuras consultas.



SEÑALES IMPORTANTES DE ADVERTENCIA RELATIVAS A LA INSTALACIÓN

-  • No instale el refrigerador en lugares húmedos o en los que pudiera ponerse en contacto con agua.
 - Un aislamiento deteriorado de las piezas eléctricas podría provocar un choque eléctrico o incendio.
- No coloque este refrigerador en lugares donde quede expuesto la luz directa del sol o a fuentes de calor procedentes de estufas, calefactores u otros electrodomésticos.



Información de seguridad

- **No enchufe varios electrodomésticos en el mismo tomacorriente múltiple. El refrigerador siempre debería enchufarse en su propia toma eléctrica que dispusiera de un voltaje coincidente con el de la placa de clasificación.**
 - Esto proporciona el mejor rendimiento y evita además la sobrecarga de los circuitos de cableado de su hogar, que podría ser causa de incendio por el sobrecalentamiento de los cables.
- **Si el tomacorriente estuviera suelto, no enchufe el cable de alimentación.**
 - Existe riesgo de choque eléctrico o incendio.
- **No use un cable agrietado o con daños abrasivos en su longitud o extremos.**
- **No doble excesivamente ni coloque artículos pesados sobre el cable de alimentación.**
- **No desenchufe su refrigerador tirando del cable de alimentación. Sujete siempre el tomacorriente firmemente y tire de él para extraerlo de la pared.**
 - El daño en el cable puede ocasionar un cortocircuito, incendio o choque eléctrico.
- **No use aerosoles cerca del refrigerador.**
 - El uso de aerosoles en las proximidades del refrigerador puede provocar una explosión o un incendio.



- **Este refrigerador debe estar correctamente instalado y situado conforme al manual antes de ponerlo en servicio.**
- **Conecte el cable de alimentación en posición correcta con el cable colgando hacia abajo.**
 - Si conecta el cable de alimentación al revés, podría seccionarse provocando incendios o choques eléctricos.
- **Al desplazar el refrigerador, tenga cuidado de no pisar ni dañar el cable de alimentación.**
 - Esto constituye riesgo de incendio.
- **Asegúrese de que el tomacorriente no quede aplastado o dañado por la parte posterior del refrigerador.**
- **Mantenga los materiales de embalaje fuera del alcance de los niños.**
 - Existe peligro de muerte por asfixia en caso de que los niños jueguen con ellos.
- **El electrodoméstico debe instalarse de tal forma que resulte sencillo acceder al tomacorriente tras la instalación.**



- **El refrigerador debe ser conectado a tierra por seguridad.**
 - Asegúrese siempre de haber conectado el refrigerador a tierra antes de intentar examinar o reparar cualquier pieza del mismo. Las fugas de corriente pueden ocasionar choques eléctricos graves.
- **No use nunca conductos de gas, líneas de teléfono u otros captadores potenciales de rayos como puesta a tierra.**

PELIGRO

- Un uso incorrecto del conector de puesta a tierra puede ocasionar riesgo de choque eléctrico. Si fuese necesario usar una alargadera, use únicamente una de 3 cables que disponga de un conector de 3 clavijas con toma de tierra y una toma eléctrica de 3 ranuras que acepte el conector del electrodoméstico. El régimen indicado de la alargadera debe ser de 115 V~120 V de CA, 10 A o superior. Si se usa un adaptador de puesta a tierra, asegúrese de que la caja de la toma eléctrica disponga de conexión completa a tierra



- **Si el cable de alimentación estuviera dañado, hágalo reemplazar inmediatamente por el fabricante o por su técnico de servicio.**



PRECAUCIÓN SEÑALES DE PRECAUCIÓN RELATIVAS A LA INSTALACIÓN

- ★ • **Deje espacio suficiente para instalar el refrigerador sobre una superficie plana.**
 - Si su refrigerador no está nivelado, el sistema de refrigeración interno puede funcionar de forma incorrecta.
- **Mantenga libre de obstrucciones la abertura de ventilación del cerramiento del electrodoméstico o estructura de montaje.**
- **Deje reposar el electrodoméstico durante 2 horas tras la instalación.**



PELIGRO SEÑALES IMPORTANTES DE ADVERTENCIA RELATIVAS AL USO

- ☐ • **No enchufe el cable de alimentación con las manos húmedas.**
 - **No almacene artículos sobre la parte superior del electrodoméstico.**
 - Al abrir o cerrar la puerta, dichos artículos pueden caer, ocasionando lesiones físicas o daños materiales.
 - **No introduzca un recipiente lleno de agua en el refrigerador.**
 - Si se derrama, existe riesgo de incendio o choque eléctrico.
 - **Los niños deben contar con supervisión adulta para asegurar que no juegan con el electrodoméstico.**
 - **No deje que los niños se descuelguen de la puerta. Podría ocasionar una lesión grave.**
 - **No permita que los niños accedan al interior del refrigerador. Existe riesgo de que los niños queden atrapados.**
 - **No introduzca las manos en la parte inferior del electrodoméstico.**
 - Los bordes afilados podrían ocasionar lesiones físicas.
 - **No permita que los niños se suban sobre la cubierta de la gaveta.**
 - La gaveta podría romperse y que resbalasen.
 - **No sobrecargue de comida el refrigerador.**
 - Al abrir la puerta, algún artículo podría caer provocando lesiones físicas o daños materiales.
 - **No toque las paredes interiores de la heladera ni productos almacenados en la misma con las manos húmedas.**
 - Podría ser causa de lesiones por congelación.
 - **No pulverice gases inflamables en el entorno próximo del refrigerador.**
 - Existe riesgo de explosión o incendio.
 - **No almacene sustancias volátiles ni inflamables en el refrigerador.**
 - El almacenaje de benceno, disolventes, alcohol, éter, gas licuado y otros productos similares puede provocar explosiones.
 - **No almacene en el refrigerador productos farmacéuticos, material científico o productos sensibles a la temperatura.**
 - Los productos que precisan controles de temperatura estrictos no deben almacenarse en el refrigerador.
 - **No coloque ni use dispositivos eléctricos en el interior del refrigerador, a menos que esté recomendado por el fabricante.**
 - **No emplee dispositivos mecánicos u cualquier otro medio para acelerar el proceso de descongelación, a excepción de los recomendados por el fabricante.**
 - **No dañe el circuito del refrigerante.**
-
- ✂ • **No desmonte o repare el refrigerador usted mismo.**
 - Corre el riesgo de provocar un incendio, averías o lesionarse.
-






Información de seguridad



PELIGRO



SEÑALES IMPORTANTES DE ADVERTENCIA RELATIVAS AL USO

-  • Los niños deben contar con supervisión adulta para asegurar que no juegan con el electrodoméstico.
 - Las botellas deben almacenarse unas junto a otras para evitar posibles caídas.
 - Este producto ha sido diseñado exclusivamente para el almacenamiento de comida en un entorno doméstico.
 - Si detecta una fuga de gas, evite las llamas abiertas o fuentes potenciales de ignición y airee durante varios minutos, la estancia en la que se encuentre el electrodoméstico.
-
-  • **Desenchufe el cable de alimentación del tomacorriente antes de cambiar las luces interiores del refrigerador.**
 - De lo contrario, existiría riesgo de choque eléctrico.
-
-  • Si el electrodoméstico genera ruidos extraños, olor a quemado o a humo, desenchufe inmediatamente el cable de alimentación y póngase en contacto con su centro de servicio más cercano.
 - Si tuviera alguna dificultad al cambiar la luz, póngase en contacto con un agente de servicio.
 - Si advirtiese la presencia de polvo o agua en el refrigerador, desconecte el cable de alimentación y póngase en contacto con su centro de servicio Samsung Electronics.
 - De lo contrario, existe riesgo de incendio.




PRECAUCIÓN


SEÑALES DE PRECAUCIÓN RELATIVAS AL USO


-  • **No vuelva a congelar alimentos descongelados por completo previamente.**
 - **No introduzca en el compartimento de la heladera bebidas carbonatadas o efervescentes. No introduzca botellas o envases de cristal en la heladera.**
 - Al congelarse el contenido, el cristal podría romperse provocando lesiones físicas.
-
-  • **Garantía de servicio y modificación**
 - Cualquier cambio o modificación realizada por terceros sobre este electrodoméstico acabado, no está cubierta por el servicio de garantía de Samsung ni serán responsabilidad de Samsung las cuestiones relativas a la seguridad resultantes de dichas modificaciones realizadas por terceros.
 - **No bloquee las aberturas de ventilación.**
 - Si las aberturas de ventilación fuesen bloqueadas, especialmente con bolsas de plástico, el refrigerador puede sobrefrigerarse. Si este período de refrigeración durase demasiado, el filtro de agua podría romperse provocando fugas de agua.
 - **Si desconectase el refrigerador del suministro eléctrico, deberá esperar al menos cinco minutos para volver a enchufarlo.**
 - **Si tiene planeado pasar un largo período de vacaciones o si no va a usar el refrigerador durante un período de tiempo prolongado, debe vaciar el refrigerador y desconectar el cable de alimentación.**
 - El deterioro del aislamiento podría ocasionar un incendio.
 - **Limpie el exceso de humedad del interior y deje las puertas abiertas.**
 - De lo contrario, podrían acumularse olores y moho.
 - **Para obtener el mejor rendimiento del producto:**
 - No coloque alimentos demasiado próximos a los orificios de ventilación situados en la parte posterior del electrodoméstico, ya que podrían impedir la libre circulación de aire en el compartimento del refrigerador.
 - Envuelva los alimentos de forma adecuada o colóquelos en recipientes herméticos antes de introducirlos en el refrigerador.
 - **Use únicamente agua potable para el depósito de agua, la bandeja de hielo y los cubitos de hielo.**




PRECAUCIÓN SEÑALES DE PRECAUCIÓN RELATIVAS AL USO

-  • Cuando este producto quede anegado, asegúrese de ponerse en contacto con su centro de servicio más cercano.
 - Existe riesgo de choque eléctrico o incendio.


-  • No rocíe directamente agua en el interior o exterior del refrigerador.
 - Existe riesgo de incendio o choque eléctrico.

-  • Elimine cualquier materia extraña o polvo de las clavijas del enchufe de alimentación. No use un paño húmedo o mojado para limpiar el tomacorriente, elimine cualquier material extraño o polvo de las clavijas de este.
 - De lo contrario existirá riesgo de incendio o choque eléctrico.

-  • Desenchufe el refrigerador antes de realizar labores de limpieza o reparación.



PRECAUCIÓN SEÑALES DE ADVERTENCIA IMPORTANTES RELATIVAS AL DESECHO

-  **PELIGRO:** riesgo de que los niños queden atrapados. Antes de desechar su antiguo refrigerador o heladera:
 - Desmonte las puertas.
 - Deje las baldas en su lugar a fin de dificultar la entrada de los niños.
- Por favor, deseche el material de embalaje de este producto de forma ecológicamente sensible.
- Deje las baldas en su lugar a fin de dificultar la entrada de los niños. Asegúrese de que ninguno de los conductos situados en la parte posterior del electrodoméstico está dañado antes de deshacerse de él.
- Al desechar éste refrigerador, desmonte la puerta, sellos y su cierre de tal forma que los niños pequeños, o animales, no puedan quedar atrapados en su interior por accidente. Los niños deben contar con supervisión adulta para garantizar que no juegan con el electrodoméstico.
- Se usa Ciclopentano como aislante. Los gases del material aislante requieren un procedimiento especial de eliminación. Por favor, póngase en contacto con autoridades locales para conocer las instrucciones de eliminación ecológica de este producto. Asegúrese de que ninguno de los conductos situados en la parte posterior del refrigerador estén dañados antes de desecharlo.

Contenido

INSTALACIÓN DE SU REFRIGERADOR DE TRES PUERTAS

09

- 09 Preparativos para instalar el refrigerador
- 10 Ajustes del refrigerador
- 10 Desmontaje de las puertas del refrigerador
- 15 Ajuste de las puertas
- 16 Realización de ajustes menores entre puertas
- 17 Instalación de la toma de agua

USO DE SU REFRIGERADOR SAMSUNG

19

- 19 Piezas y funciones
- 20 Uso del panel de control
- 21 Control de la temperatura
- 24 Almacenamiento de alimentos en el refrigerador
- 24 Almacenamiento de alimentos en la gaveta de la heladera
- 25 Consejos útiles de almacenamiento de alimentos
- 27 Desmontaje de los accesorios del refrigerador
- 28 Desmontaje de los accesorios de la heladera
- 29 Limpieza del refrigerador
- 30 Reemplazo de las luces interiores

SOLUCIÓN DE PROBLEMAS

31

- 31 Solución de problemas

GARANTÍA

32

- 32 Garantía

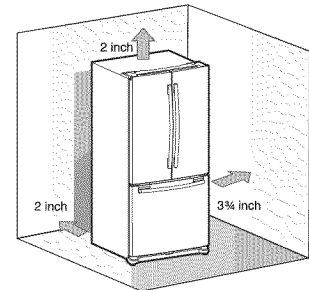
Instalación de su refrigerador de tres puertas

PREPARATIVOS PARA INSTALAR EL REFRIGERADOR

Felicidades por la adquisición de este refrigerador Samsung de tres puertas. Esperamos que disfrute de las características y rendimiento de alta tecnología que este nuevo electrodoméstico tiene que ofrecer.

Selección del mejor emplazamiento para el refrigerador

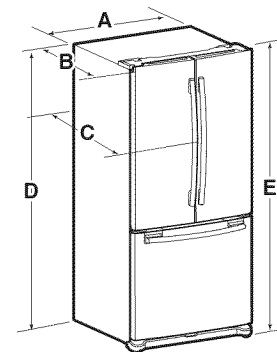
- Un emplazamiento de fácil acceso para el suministro de agua.
- Un emplazamiento sin exposición directa a la luz solar.
- Un emplazamiento que tenga el piso nivelado (o casi nivelado).
- Un emplazamiento con suficiente espacio para que las puertas del refrigerador puedan abrirse con facilidad.
- Deje suficiente espacio para la circulación del aire del sistema de refrigeración interno. Si el refrigerador no dispone de suficiente espacio, el sistema de refrigeración interna puede no funcionar correctamente.



Antes que nada: asegúrese de poder mover fácilmente su refrigerador hasta su emplazamiento final, midiendo puertas de entrada (ancho y alto), umbrales, techos, escaleras, etc.

El siguiente cuadro especifica la altura y ancho exactos del refrigerador Samsung de tres puertas.

Modelo		RF195AB RF197AB	RF217AB
Capacidad (pies cúbicos)		17.8	19.7
Dimensiones (pulgadas)	Ancho (A)	32 1/4"	32 1/4"
	Profundidad	sin puerta (B)	24 3/8"
		con puerta (C)	30 1/2"
	Altura	sin bisagra (D)	68 5/8"
		con bisagra (E)	69 3/4"

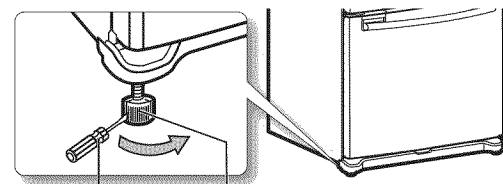


- Mantenga despejado el lado derecho, izquierdo, posterior y superior durante la instalación. Esto ayudará a reducir el consumo de energía y mantener una factura eléctrica más baja.
- Si instala el refrigerador en lugares donde la temperatura sea inferior a 50° F (10° C), su funcionamiento podría no ser óptimo.
- No instale el refrigerador en lugares húmedos.



Al desplazar el refrigerador

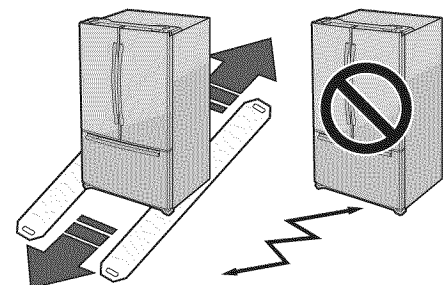
Para evitar daños en el piso, asegúrese de que los pies de ajuste frontales están en su posición más elevada (por encima del piso). Examine la sección "Ajuste de las puertas" (en la página 15).



Destornillador de cabeza plana (-) Pie de nivelación

PISO

Para llevar a cabo una instalación correcta, este refrigerador debe instalarse sobre una superficie nivelada de material firme, situado a la misma cota que el resto del piso. Esta superficie debería ser lo suficientemente resistente como para soportar la carga del refrigerador completamente cargado o un peso aproximado de 223 libras (106 kg). Para proteger el acabado del piso, corte un trozo grande de cartón de embalaje y colóquelo bajo el refrigerador en el lugar de trabajo. Al desplazar el refrigerador, asegúrese de tirar de la unidad hacia fuera y devolverla a su posición empujándola hacia dentro en línea recta.



Instalación de su refrigerador de tres puertas

AJUSTES DEL REFRIGERADOR

Ahora que tiene su nuevo refrigerador instalado y en su sitio, está preparado para ajustarlo y disfrutar de todas las características y funciones de las que dispone. Completando los siguientes pasos, su refrigerador deberá estar totalmente operativo.

1. Coloque el refrigerador en una situación adecuada, dejando una distancia libre razonable entre el mismo y la pared. Examine las instrucciones de instalación de este manual. (Página 9, Selección del mejor emplazamiento para el refrigerador)
2. Una vez enchufado el refrigerador, asegúrese de que el foco interior se ilumina al abrir las puertas.
3. Ajuste el control en la temperatura más fría y espere una hora. La heladera deberá enfriarse ligeramente y el motor funcionar suavemente.
4. Tras poner en funcionamiento el refrigerador, harán falta varias horas para alcanzar la temperatura asignada. Puede introducir alimentos y bebidas en el refrigerador cuando la temperatura sea suficientemente fría.



Chequee la siguiente lista de accesorios.



Racor de compresión



Tuerca de compresión



Llave hexagonal



Fijador

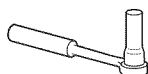
Herramientas necesarias (no incluidas)



Destornillador Phillips (+)



Destornillador de cabeza plana (-)



Llave de tubo (10mm)
(para pernos)



Llave hexagonal (3/16")
(para la bisagra central)



Alicates

DESMONTAJE DE LAS PUERTAS DEL REFRIGERADOR

Algunas instalaciones requieren el desmontaje de la puerta/gaveta para poder transportar el refrigerador hasta su emplazamiento final. No desmonte la puerta/gaveta si no es necesario. Antes de desmontar la puerta/gaveta, asegúrese de haber leído los siguientes puntos.



Desconecte el suministro del refrigerador antes de desmontar la puerta o la gaveta.

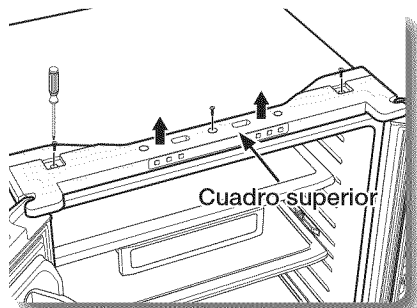


- Tenga cuidado de no dejar caer, dañar o arañar la puerta/gaveta durante el proceso de desmontaje.
- Tenga cuidado de no lesionarse mientras desmonta la puerta/gaveta.
- Vuelva a montar correctamente la puerta/gaveta para evitar:
 - Humedad procedente de la fuga de aire.
 - Una alineación desigual de la puerta.
 - Gastos de energía debido a un sellado incorrecto de la puerta.

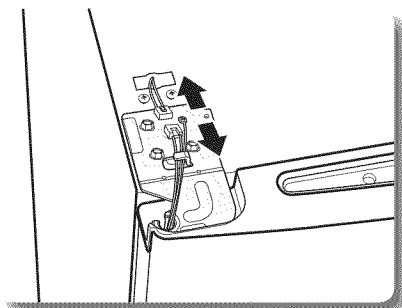
Desmontaje de la puerta del refrigerador



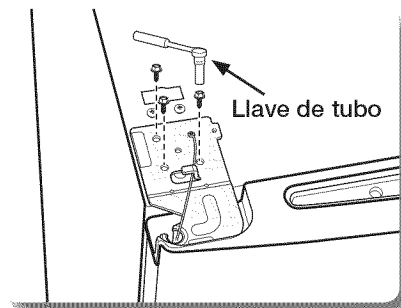
Tenga cuidado de no dejar caer o arañar la puerta del refrigerador durante el proceso de desmontaje.



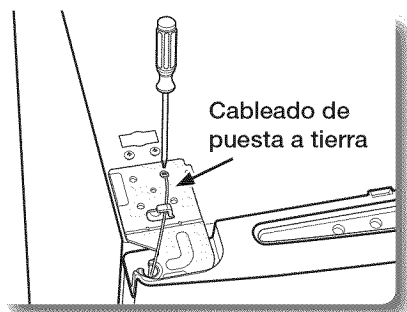
1. Extraiga los 3 pernos que sujetan el cuadro superior y retírelo.



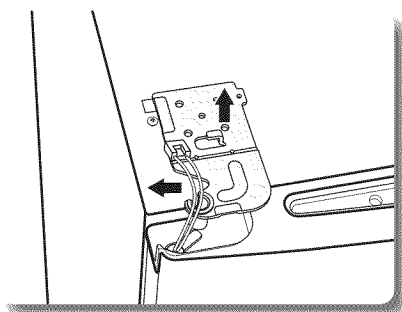
2. Desconecte el cableado eléctrico de la parte superior del refrigerador.



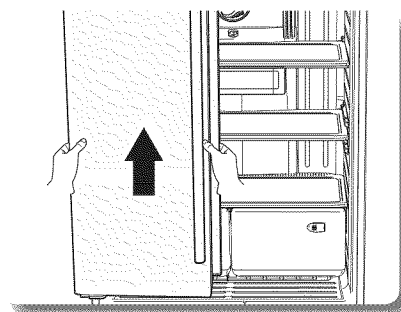
3. Extraiga los 3 pernos hexagonales que sujetan la bisagra en la parte superior del refrigerador usando una llave de tubo de 10mm.



4. Extraiga el perno que sujeta el cableado de puesta a tierra mediante un destornillador Philips (+).

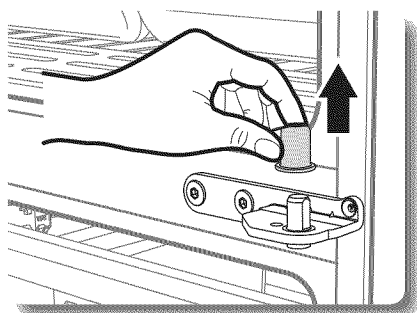


5. Separe la bisagra del cableado eléctrico y de puesta a tierra como se indica en la parte superior.

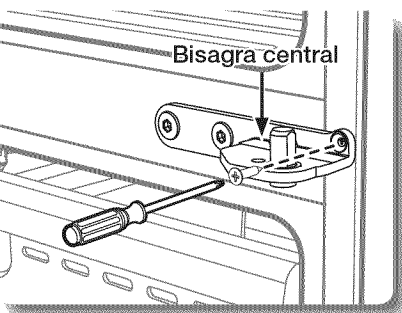


6. Levante la puerta hacia arriba para desmontarla. Tenga cuidado de no dejar caer ni arañar las puertas durante el proceso de desmontaje.

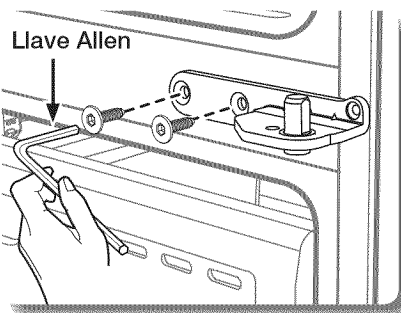
Desmontaje de la puerta de la heladera (TIPO GAVETA: RF217, RF197)



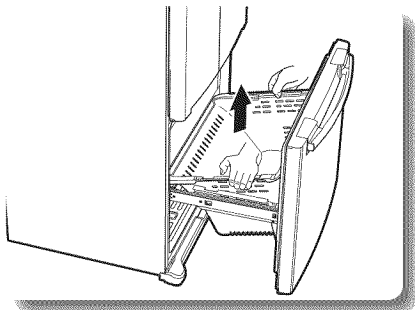
1. Retire la tapa de la bisagra central.



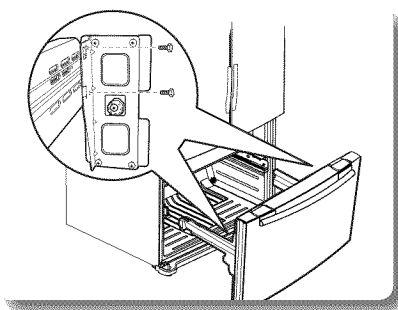
2. Extraiga el perno fijado a las bisagras centrales izquierda y derecha mediante un destornillador Philips (+). Extraiga los 2 pernos de cabeza hexagonal fijados a las bisagras centrales izquierda y derecha mediante una llave Allen (3/16").



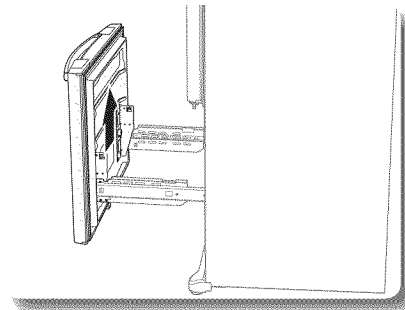
Instalación de su refrigerador de tres puertas



3. Tras abrir la puerta de la heladera, levante la cesta de la gaveta.

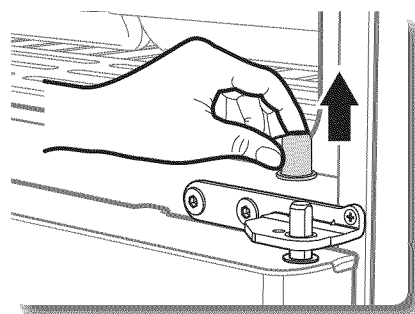


4. Extraiga los 4 pernos de cabeza hexagonal situados a ambos lados mediante una llave de tubo (10mm).

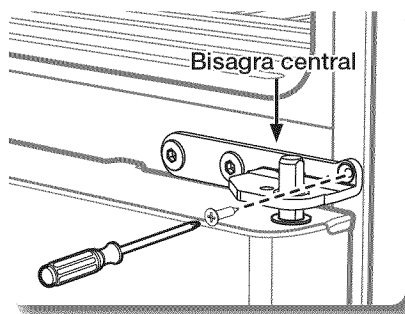


5. Levante la puerta de la heladera de los rieles. Tenga cuidado de no dejar caer ni arañar la puerta de la heladera.

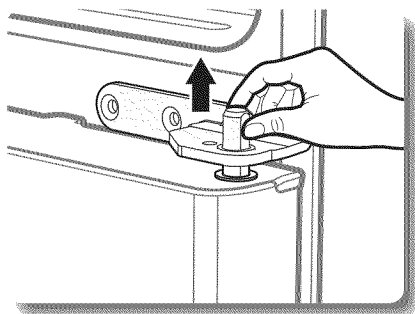
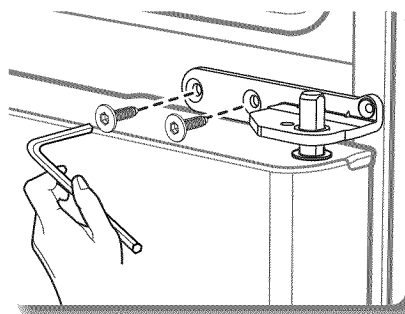
Desmontaje de la puerta de la heladera (TIPO GIRATORIO: RF195)



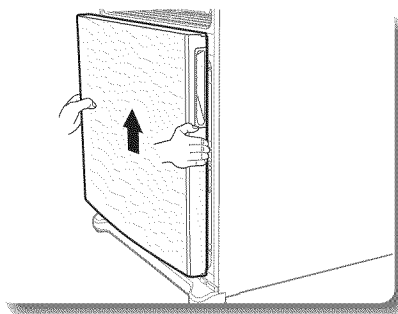
1. Retire la tapa de la bisagra central.



2. Extraiga el perno fijado a las bisagras centrales izquierda y derecha mediante un destornillador Phillips (+). Extraiga los 2 pernos de cabeza hexagonal fijados a las bisagras centrales izquierda y derecha mediante una llave Allen (3/16").

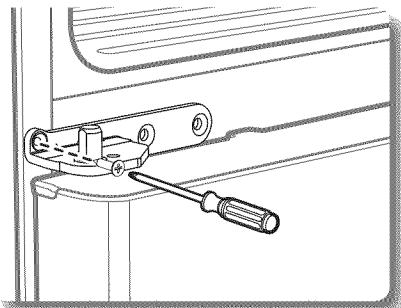


3. Desmonte la bisagra central unida a la heladera.

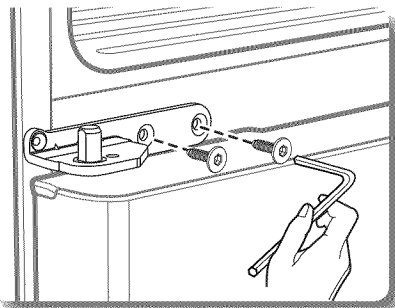


4. Levante la puerta de la heladera de la bisagra. Tenga cuidado de no dejar caer ni arañar la puerta de la heladera.

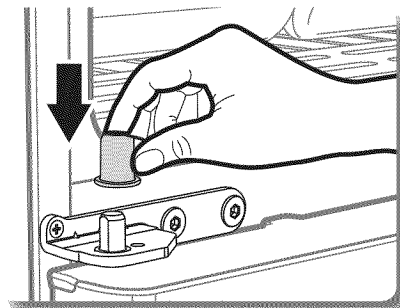
Reinstalación de la puerta del refrigerador



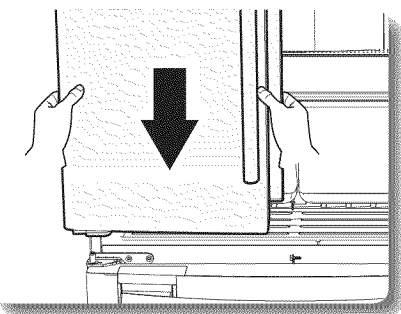
1. Introduzca y apriete el perno en las bisagras centrales izquierda y derecha mediante un destornillador Philips (+).



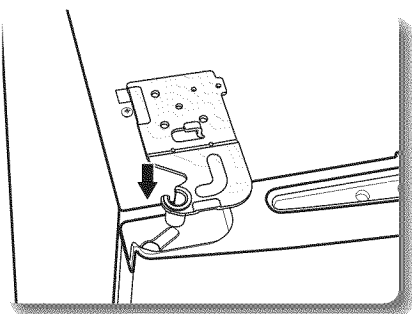
2. Introduzca y apriete los 2 pernos de cabeza hexagonal en las bisagras centrales izquierda y derecha mediante una llave Allen (3/16").



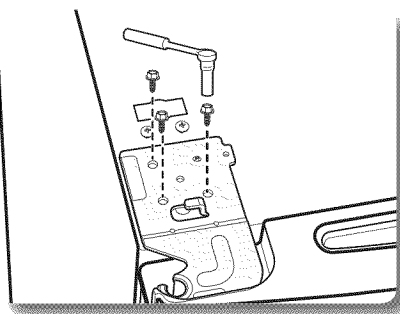
3. Vuelva a colocar la tapa de la bisagra central.



4. Haga coincidir el orificio de la base de la puerta izquierda con la bisagra central.



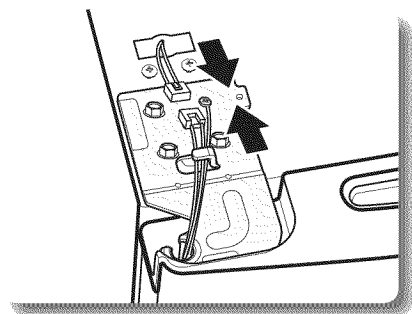
5. Introduzca la bisagra superior izquierda en el orificio situado en la esquina de la puerta del refrigerador.



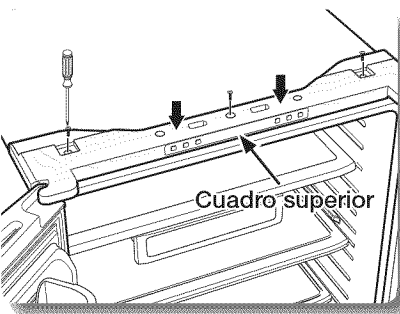
6. Introduzca las bisagras superiores en los orificios situados en la parte superior de la puerta. Introduzca y apriete los 3 pernos de cabeza hexagonal en las bisagras superiores izquierda y derecha mediante una llave de tubo.



7. Introduzca y apriete el perno de puesta a tierra en las bisagras superiores izquierda y derecha mediante un destornillador Philips (+).



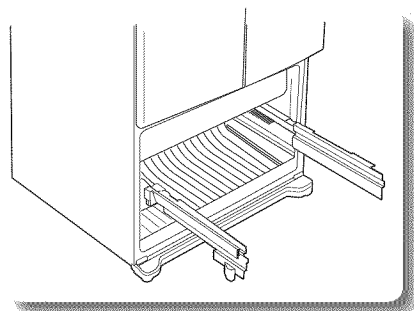
8. Conecte el cableado electrónico en la parte superior del refrigerador.



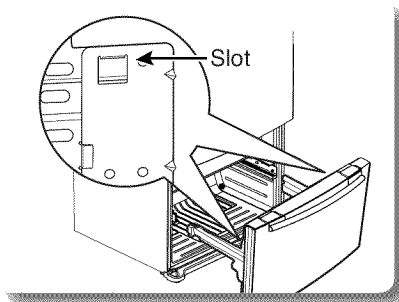
9. Coloque el cuadro superior en su lugar. Introduzca y apriete los 3 pernos en el cuadro superior mediante un destornillador Philips (+).

Instalación de su refrigerador de tres puertas

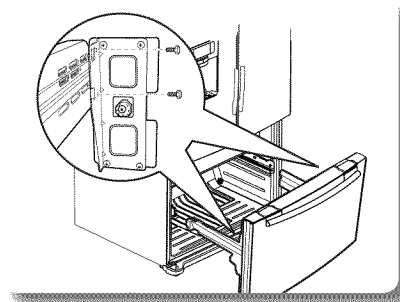
Reinstalación de la puerta de la heladera (TIPO GAVETA: RF217, RF197)



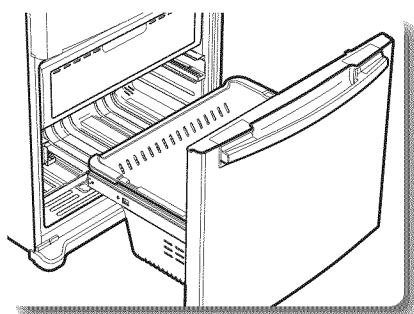
1. Extraiga uniforme y completamente los rieles de cada lado del armario.



2. Sujete el frontal de la puerta de la heladera sobre la ranura abierta de los lados.

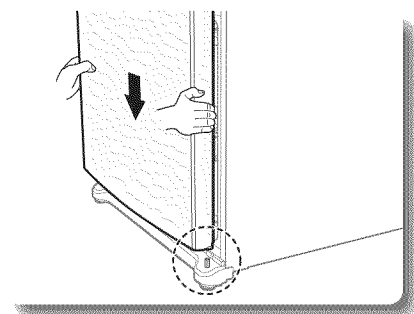


3. Mediante la llave de 10mm, vuelva a fijar los 4 pernos hexagonales que unen el riel y la puerta.

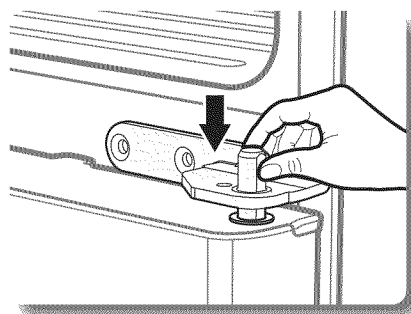


4. Con la gaveta extraída por completo, introduzca la cesta de la gaveta en el sistema de rieles.

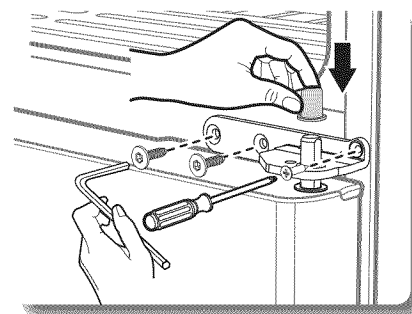
Reinstalación de la puerta de la heladera (TIPO GIRATORIO: RF195)



1. Haga coincidir el orificio situado en la base de la puerta de la heladera con la bisagra inferior del lado derecho.



2. Vuelva a colocar la bisagra central unida a la heladera.



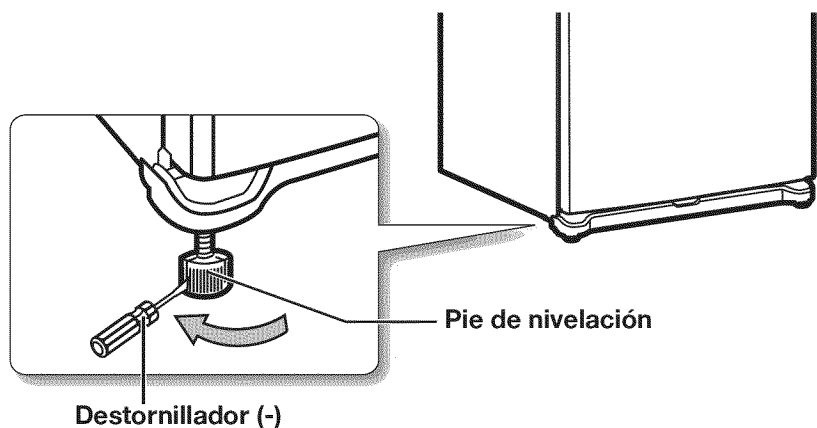
3. Introduzca y apriete el perno en las bisagras centrales izquierda y derecha mediante un destornillador Philips (+). Introduzca y apriete los 2 pernos de cabeza hexagonal en las bisagras centrales izquierda y derecha mediante una llave Allen (3/16").
4. Vuelva a colocar la tapa en la bisagra central.

AJUSTE DE LAS PUERTAS

Ahora que las puertas están instaladas de nuevo en el refrigerador, necesitará chequear que el electrodoméstico esté nivelado, para lo que puede realizar ajustes finales. Si el refrigerador no está nivelado, será imposible conseguir que las puertas se igualen de forma uniforme.

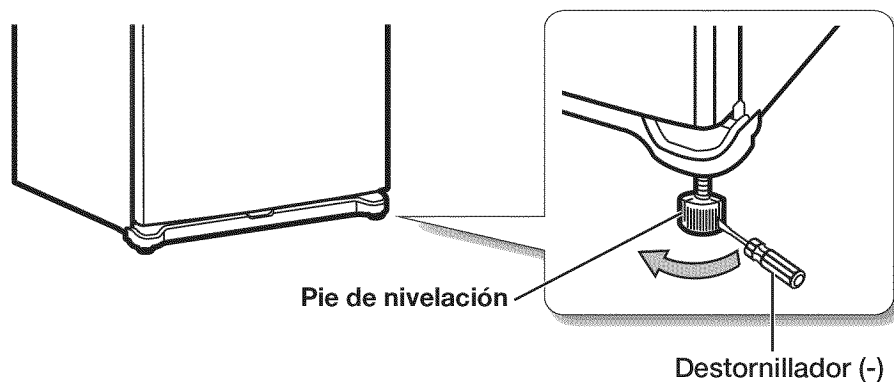
Cuando la puerta izquierda esté más baja que la derecha.

Introduzca un destornillador de cabeza plana dentro de una ranura del pie de nivelación izquierdo y gírelo en sentido horario o antihorario para nivelar la puerta izquierda.



Cuando la puerta izquierda esté más alta que la derecha.

Introduzca un destornillador de cabeza plana dentro de una ranura del pie de nivelación derecho y gírelo en sentido horario o antihorario para nivelar la puerta derecha.

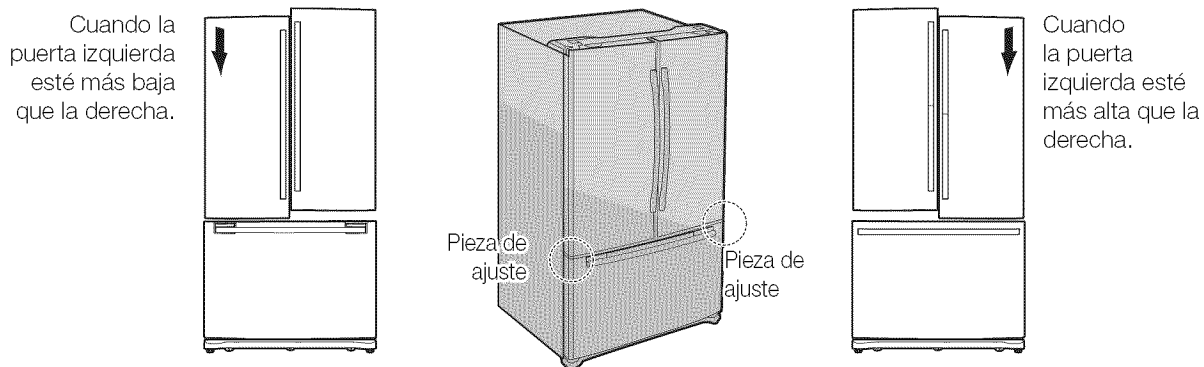


Ambos pies de nivelación deben estar en contacto firme con el piso para evitar potenciales lesiones o daños a la propiedad derivados del vuelco.

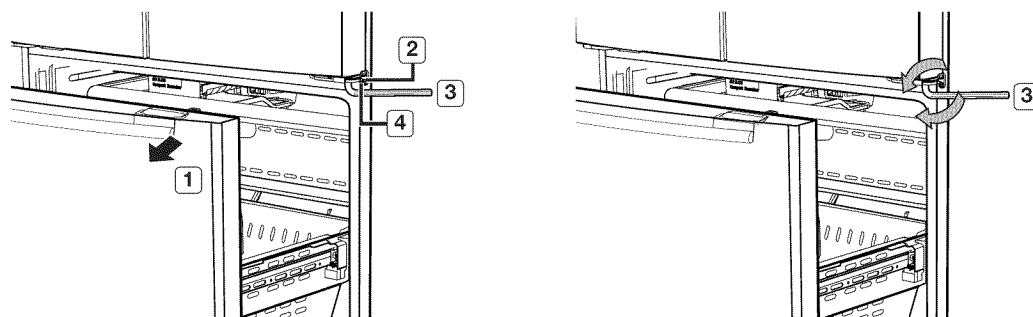
Instalación de su refrigerador de tres puertas

REALIZACIÓN DE AJUSTES MENORES ENTRE PUERTAS

Recuerde que es necesario que el refrigerador esté nivelado para lograr que las puertas estén igualadas de forma uniforme. Si necesita ayuda, revise las secciones anteriores relativas a la nivelación del refrigerador.

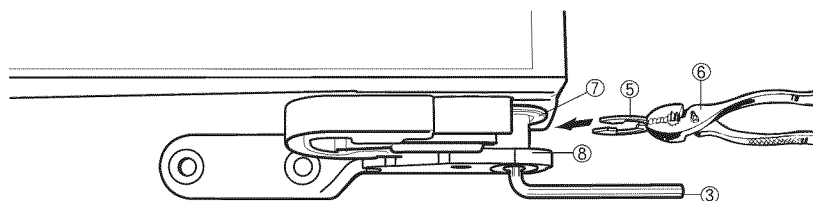



1. Extraiga la gaveta de la heladera (**1**) y podrá ver la bisagra central (**2**).
2. Introduzca la llave hexagonal incluida (**3**) dentro del eje (**4**) de la bisagra central.
3. Ajuste la altura girando la llave hexagonal (**3**) en sentido horario (↻) o antihorario (↺).



 Al girar en sentido antihorario la llave hexagonal (↺), la puerta se desplazará hacia arriba.


1. Tras ajustar las puertas, inserte el fijador incluido (**5**) usando unos alicates (**6**) en el hueco entre el anillo de la bisagra (**7**) y la bisagra central (**8**). El número de fijadores a insertar, dependerá del hueco.



 Con el refrigerador se incluyen 2 fijadores.
El grosor de cada fijador es de 0,04" (1 mm).


INSTALACIÓN DE LA TOMA DE AGUA

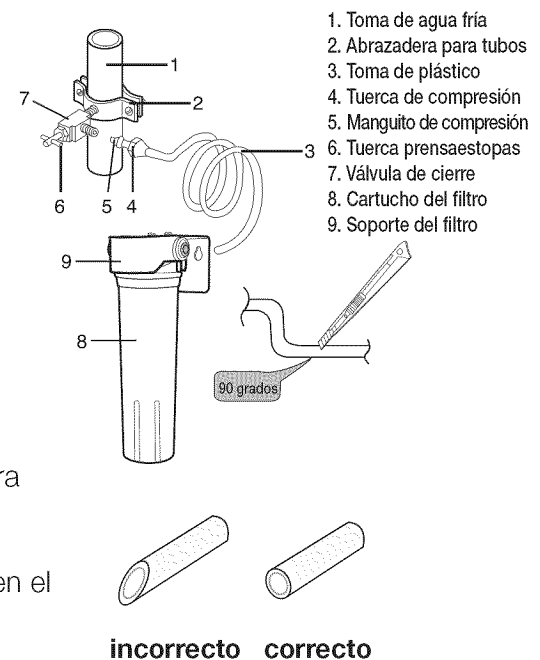
Antes de instalar la toma de agua

- La instalación de la toma de agua no se encuentra bajo la garantía del fabricante del refrigerador. Por lo que antes de instalar la toma de agua, debe leer por completo los pasos necesarios para llevar a cabo dicha instalación y cumplir meticulosamente estas instrucciones para minimizar el riesgo ante costosos daños ocasionados por el agua.
 - Los golpes de ariete (agua golpeando los conductos) en la instalación de fontanería de su hogar pueden causar daños a diversas piezas del refrigerador y provocar fugas de agua o inundaciones. Solicite los servicios de un fontanero profesional para corregir el problema antes de instalar la toma de suministro de agua al refrigerador.
 - Para evitar quemaduras y daños al producto, no conecte la toma de agua al conducto de agua caliente.
 - No instale la toma de agua en lugares donde la temperatura caiga por debajo del punto de congelación.
 - Al usar cualquier aparato eléctrico (como un taladro) durante la instalación, asegúrese de que dicho dispositivo esté aislado o conectado de modo que evite cortocircuitos.
 - Todas las instalaciones deben cumplir las normativas locales de fontanería.
-  • El kit de toma de agua y el filtro de agua no están cubiertos por la garantía de Samsung. El fabricante (o distribuidor o instalador) de éstos es el responsable de cualquier defecto y de todas las pérdidas ocasionadas por el filtro de agua y el kit de la toma de agua.
- El filtro deberá reemplazarse según las instrucciones proporcionadas por el fabricante (o distribuidor).
 - Para solicitar filtros de agua adicionales, póngase en contacto con el fabricante (o distribuidor) de dichos filtros.

Uso del filtro de agua (no incluido)

Conexión a la toma de suministro de agua

- Corte la toma de suministro general y desconecte la máquina de hielo.
 - Localice la toma de agua fría potable más cercana.
 - Siga las instrucciones contenidas en el kit de instalación del filtro de agua.
 - Tras conectar la toma de suministro de agua a la entrada del soporte del cartucho (introducir la toma de plástico por completo), instale el cartucho del filtro.
 - Abra el suministro de agua y haga correr 3 galones de agua a través del filtro antes de utilizarlo (durante aproximadamente 6 minutos).
-  • Si desea instalar un filtro de agua, este debe instalarse fuera del refrigerador. Este no viene incluido con su nuevo refrigerador. El kit del cartucho (8) y el soporte (9) del filtro pueden adquirirse en el establecimiento de compra de este refrigerador.
- No use toma de cobre.
 - Corte el conducto, asegurándose de que los extremos quedan limpios y en ángulo recto.



Instalación de su refrigerador de tres puertas

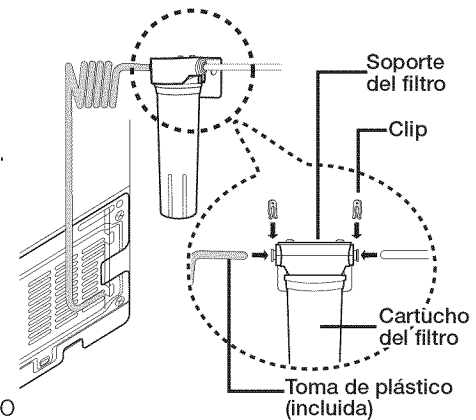
Conecte la toma de agua al refrigerador

- Conecte la toma de plástico situada en la parte posterior de su refrigerador a la salida del soporte del cartucho (introduzca completamente la toma de plástico en la salida del soporte del cartucho).
- Introduzca el clip de plástico a la entrada y salida del soporte del cartucho.
- Abra el suministro de agua y realice una comprobación en busca de fugas.



- Puede adquirir los cartuchos de filtro necesarios en el establecimiento de compra del refrigerador. Asegúrese de comprar el cartucho del filtro SAMSUNG (cartucho de repuesto nº: DA29- 00015A) para garantizar el mejor rendimiento.

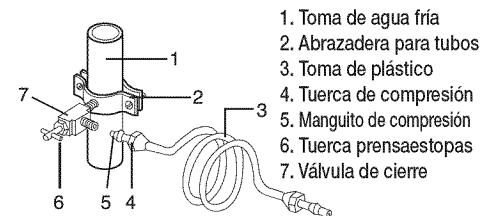
- La toma de agua debe conectarse exclusivamente al suministro de agua potable.
- Con la unidad se incluyen un kit de racor y tuerca de compresión, que encontrará en el interior del compartimento del refrigerador.
- Al empujar el refrigerador a su sitio, asegúrese de no pasar por encima del cable de alimentación ni de la toma de agua (toma de suministro de la máquina de hielo)



Uso sin filtro de agua

Conexión de la toma de suministro de agua

- Corte la toma de suministro general y desconecte la máquina de hielo.
- Localice la toma de agua potable fría más cercana.



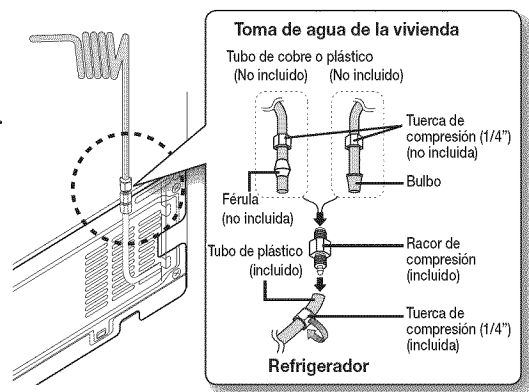
Conecte la toma de agua al refrigerador

- 1) Pase la tuerca de compresión a través del tubo de plástico.
- 2) Tras introducir la tuerca de compresión dentro del tubo de plástico, apriétela sobre el racor de compresión de 1/4" (incluido).



- No fuerce la tuerca de compresión.

- Uso de tubo de cobre
 - Pase la tuerca de compresión y la férula sobre el tubo de cobre, como se indica.
- Uso de tubo de plástico
 - Introduzca el extremo moldeado (bulbo) del tubo de plástico en el racor de compresión.



No usar sin el extremo moldeado (bulbo) del tubo de plástico.

- 3) Apriete la tuerca de compresión sobre el racor de compresión.
- 4) Abra el suministro de agua y realice un chequeo en busca de fugas.

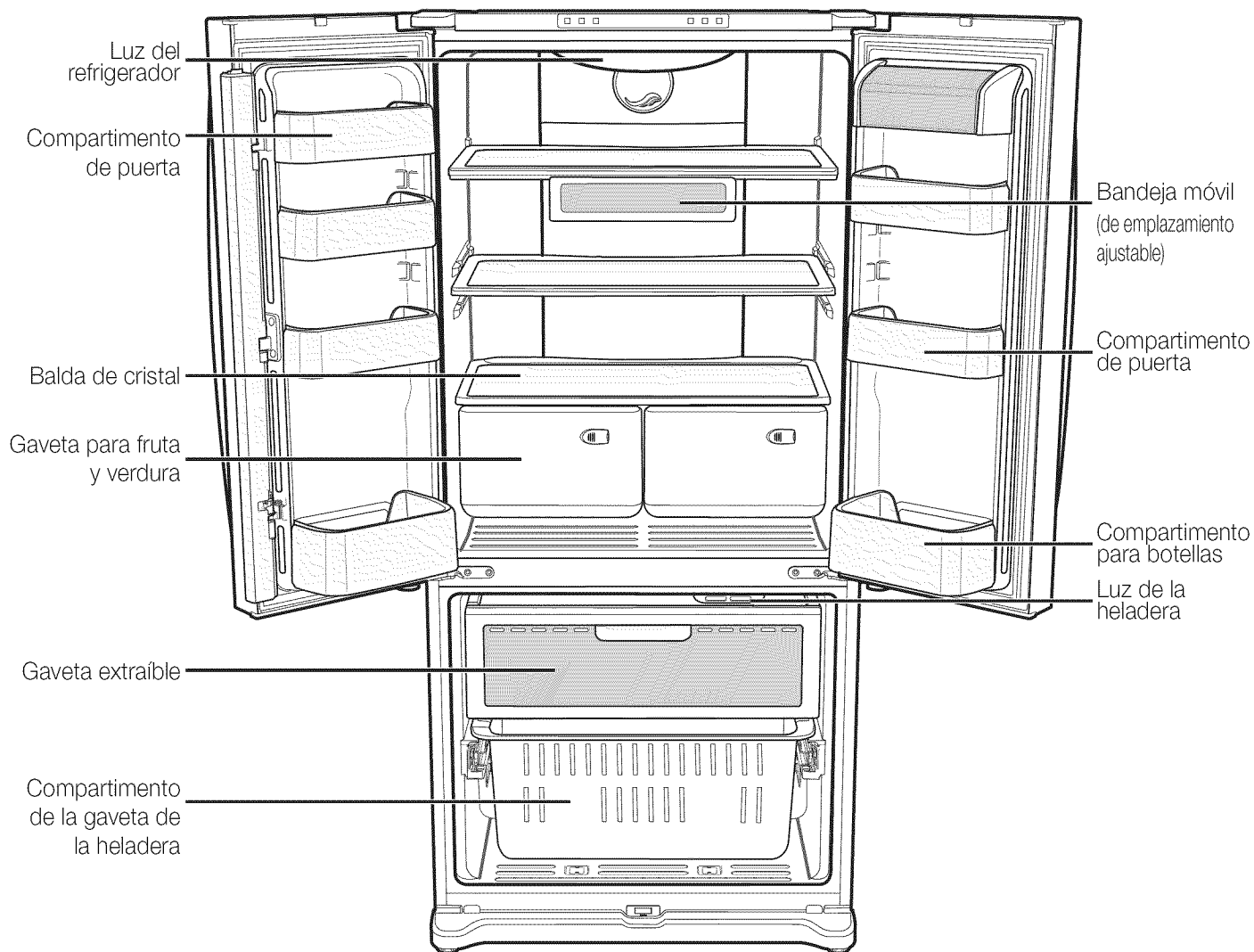


- El conducto de agua debe conectarse exclusivamente a un suministro de agua potable.
- Al empujar el refrigerador a su sitio, asegúrese de no pasar por encima del cable de alimentación ni de la toma de agua (toma de suministro de la máquina de hielo).

Uso de su refrigerador SAMSUNG

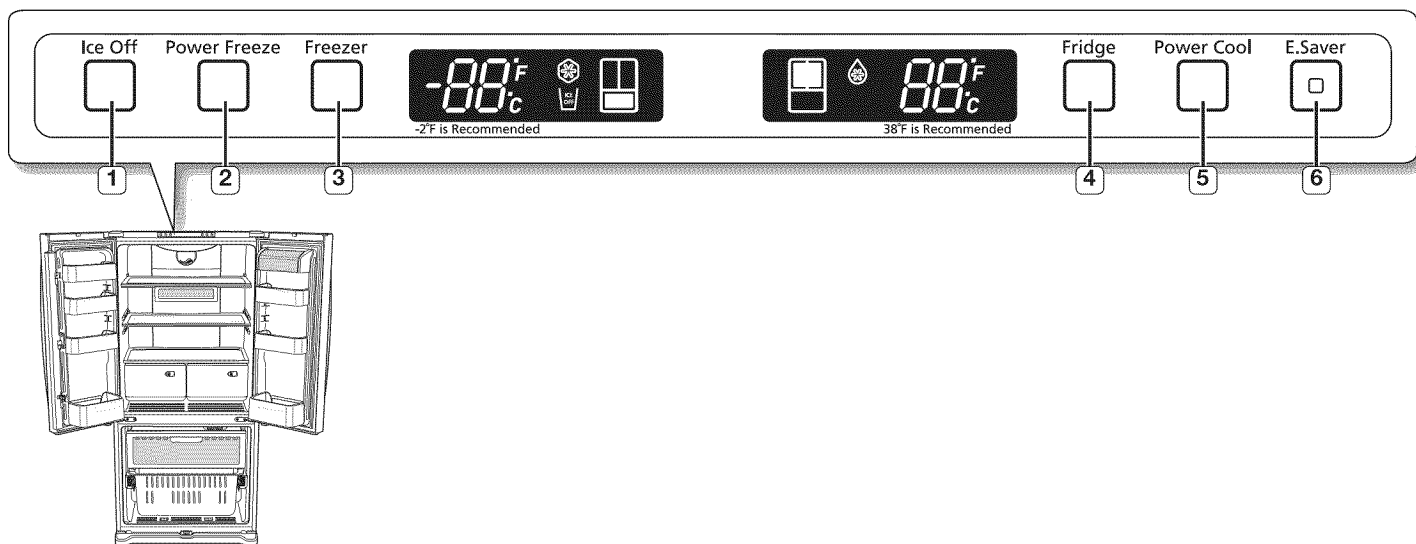
PIEZAS Y FUNCIONES

Use esta página para familiarizarse con las piezas y funciones del refrigerador.



Uso de su refrigerador SAMSUNG

USO DEL PANEL DE CONTROL



Selección de temperatura y función / panel de control

(1) Botón Ice Off (Hielo desac.)

Al pulsar el botón Ice off, cesará la elaboración de hielo. Use esta función sólo cuando sea necesario.

(2) Botón Power Freeze (Congelación rápida)

Pulse este botón para congelar alimentos rápidamente. (La función de Congelación rápida funcionará durante 2 horas y media).

(3) Botón Freezer (Heladera)

Botón de ajuste de la temperatura de la heladera. Pulse este botón para ajustar la temperatura de la heladera entre 8° F y -8° F (-13° C y -22° C) (Al enchufar por primera vez el refrigerador, el ajuste predeterminado es de -2° F (-19° C)).

(4) Botón Fridge (Refrigerador)

Botón de ajuste de temperatura del refrigerador. Pulse este botón para ajustar la temperatura del refrigerador entre 46° F y 34° F (8° C y 1° C) en intervalos de 2° F. (Al enchufar por primera vez el refrigerador, el ajuste predeterminado es de 38° F (3° C)).

(5) Botón Power cool (Refrigeración rápida)

Pulse este botón para enfriar más rápidamente los alimentos del refrigerador. (La función de Refrigeración rápida se detendrá al alcanzar los 25° F (-4° C) o tras dos horas y media de funcionamiento).

(6) Botón e.Saver (Ahorro de energía)

Pulse el botón Energy Saver para mejorar el rendimiento energético. Si se produjese goteo de agua en las puertas, desactive la función Energy Saver (Ahorro de energía).

CONTROL DE LA TEMPERATURA



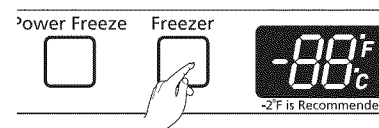
Ajuste de la temperatura de la heladera


Si desea controlar la temperatura de la heladera, siga las indicaciones expuestas a continuación.

Pulse el botón **Freezer** (examine la ilustración)

- La temperatura puede ajustarse entre -8° F y 8° F (-22° C y -13° C) en intervalos de 2° F.
- Cada vez que pulse el botón **Freezer**, el ajuste de temperatura cambiará de la siguiente forma; (-2° F → -4° F → -6° F → -8° F → 8° F → 6° F → 4° F → 2° F → 0° F → -2° F)

Al escoger la temperatura, inicialmente se mostrará la temperatura ajustada durante 5 segundos y, a continuación, la temperatura actual. (Podría existir una leve diferencia entre la temperatura ajustada y la temperatura actual mostrada, pero ésta se reajustará automáticamente a la temperatura ajustada).



-  - La temperatura de la heladera cambiará dependiendo de la frecuencia de apertura de la puerta, la cantidad de alimentos, la temperatura ambiente, etc.
- La visualización de temperatura parpadeará cuando la temperatura de la heladera esté aumentando debido a una apertura frecuente de la puerta, a la introducción de alimentos calientes, etc. (El parpadeo cesará cuando el refrigerador alcance su temperatura normal. Si por alguna razón, no se detuviera después de un período de tiempo prolongado, póngase en contacto con un centro de servicio Samsung.)

Ajuste de temperatura del refrigerador

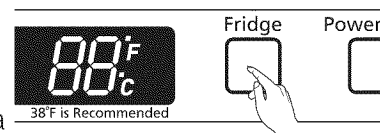
Si desea controlar la temperatura del refrigerador, siga las indicaciones expuestas a continuación.

Pulse el botón **Fridge** (examine la ilustración)

- La temperatura puede ajustarse entre 34° F y 46° F (1° C y 8° C) en intervalos de 2° F.
- Cada vez que pulse el botón **Fridge**, el ajuste de temperatura cambiará de la siguiente forma; (38° F → 36° F → 34° F → 46° F → 44° F → 42° F → 40° F → 38° F)

Uso de su refrigerador SAMSUNG

Al escoger la temperatura del refrigerador, inicialmente se mostrará la temperatura ajustada durante 5 segundos y, a continuación, la temperatura actual.
(Podría existir una leve diferencia entre la temperatura ajustada y la temperatura actual mostrada, pero ésta se reajustará automáticamente a la temperatura ajustada).

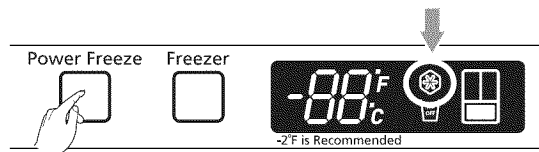


- La temperatura del refrigerador cambiará dependiendo de la frecuencia de apertura de la puerta, la cantidad de alimentos, la temperatura ambiente, etc.
- La temperatura en cada balda o compartimento del refrigerador podría ser diferente.
- La visualización de temperatura parpadeará cuando la temperatura del refrigerador esté aumentando debido a una apertura frecuente de la puerta, a la introducción de alimentos calientes, etc.
(El parpadeo cesará cuando el refrigerador alcance su temperatura normal. Si por alguna razón, no se detuviera después de un período de tiempo prolongado, póngase en contacto con un centro de servicio Samsung).

Si desea elaborar hielo más rápidamente (controlando la función de Congelación rápida)

Pulse el botón **Power Freeze**. (Examine la imagen).

- El indicador de la función de congelación rápida se ilumina en la pantalla de visualización (examine la flecha) y comienza a funcionar independientemente de la temperatura de ajuste de la heladera.



Pulse de nuevo el botón **Power Freeze** para cancelar esta función.

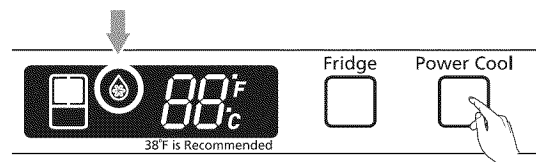
- El indicador se apagará y volverá a funcionar a la temperatura de ajuste de la heladera.

- La función de congelación rápida funciona durante 2 horas y media independientemente de la temperatura ajustada.

Si desea acelerar el proceso de enfriamiento en el refrigerador (Power cool)

Pulse el botón **Power cool**. (Examine la imagen).

- El indicador de la función de refrigeración rápida se ilumina en la pantalla de visualización (examine la flecha) y comienza a funcionar independientemente de la temperatura de ajuste del refrigerador.




Pulse de nuevo el botón **Power cool** para cancelar esta función.

- El indicador se apagará y volverá a funcionar a la temperatura de ajuste del refrigerador.

- La función de refrigeración rápida funciona durante 2 horas y media independientemente de la temperatura ajustada.

Modo de refrigeración desactivada (código “OF & OF” en la pantalla de visualización)

 Esta función se usa para refrigeradores de muestra en tiendas. No para uso doméstico.

 **PRECAUCIÓN** En el modo de refrigeración desactivada, el refrigerador funciona pero no enfría el aire. Para cancelar este modo, pulse al mismo tiempo los botones **Power Freeze** y **Freezer** durante 3 segundos hasta oír un “Ding-dong”. La unidad comenzará a enfriar.

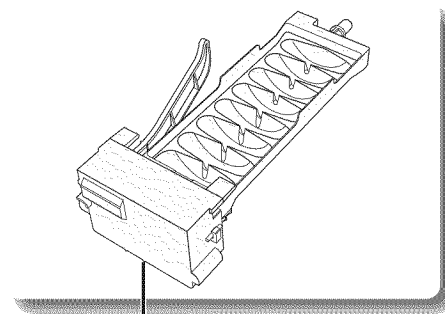


Funcionamiento de la máquina de hielo


La máquina de hielo producirá 8 cubitos por ciclo; aproximadamente de 100 a 130 cubitos en un periodo de 24 horas, dependiendo de la temperatura del compartimento de la heladera, la temperatura ambiente, la frecuencia de apertura de las puertas y otras condiciones de funcionamiento.

Deseche los primeros lotes de hielo para permitir la limpieza de la toma de agua. Asegúrese de que nada interfiera con el barrido del brazo calibrador. Cuando el depósito se llene hasta el nivel del brazo calibrador, la máquina de hielo cesará su producción.

Una vez vuelva a activarse la máquina de hielo, habrá un tiempo de retraso antes de que reanude su funcionamiento. Es normal que varios cubitos acaben unidos, formando uno solo. Si no usa hielo con frecuencia, los cubitos antiguos perderán su transparencia, adquirirán olores y sabores desagradables y se reducirá su tamaño. Por lo que, si no desea elaborar hielo, pulse el botón Ice Off.







Botón de Prueba


 **PRECAUCIÓN** **Botón de Prueba** Si los cubitos no salen, extraiga la máquina de hielo y pulse el botón de prueba situado en la parte inferior de la cara frontal de la máquina de hielo. (Examine la imagen para obtener la situación).

Uso de su refrigerador SAMSUNG



ALMACENAMIENTO DE ALIMENTOS EN EL REFRIGERADOR



El refrigerador Samsung ha sido diseñado para proporcionarle características y funciones de ahorro máximo de espacio. Aquí tiene algunos de los compartimentos personalizados que hemos creado para mantener sus alimentos frescos durante períodos de tiempo más largos. Para evitar la penetración de olores en el interior del compartimento del hielo, los alimentos almacenados deberán ser envueltos adecuadamente, tan herméticos como sea posible.

Bandeja móvil	Puede usarse para almacenar pequeños artículos lácteos como mantequilla o margarina, yogurt o dados de crema de queso.	 mantequilla/queso
Compartimento para botellas	Diseñado para soportar artículos grandes y voluminosos como galones de leche u otras botellas o recipientes de grandes dimensiones.	
Baldas del refrigerador	Con diseño antirrotura, las baldas pueden usarse para almacenar todo tipo de alimentos y bebidas. Las marcas circulares en la superficie de cristal representan un fenómeno normal que puede limpiarse a menudo con un paño húmedo.	
Gaveta para fruta y verdura	Usado para mantener frescas sus frutas y verduras almacenadas. Esta gaveta ha sido específicamente diseñada para controlar el nivel de humedad dentro del compartimento. Si es posible, mantenga separadas verduras y frutas.	

-  No coloque artículos de grandes dimensiones bajo el foco del refrigerador. Hay un sensor situado en las proximidades del foco y, si dicho sensor quedase bloqueado, su refrigerador podría enfriarse demasiado. Coloque frutas y verduras en la gaveta que tienen asignada para evitar que se congelen. Si los alimentos se congelasen en su refrigerador, ajústelo a una temperatura más alta.

ALMACENAMIENTO DE ALIMENTOS EN EL COMPARTIMENTO DE LA HELADERA

Gaveta extraíble	La mejor elección para almacenar carnes o alimentos secos. Los alimentos almacenados deberán introducirse en un envase o envolverse adecuadamente usando film plástico u otros materiales adecuados.	
Compartimento de la gaveta de la heladera	Puede usarse para almacenar carne y alimentos secos. Los alimentos almacenados deberán introducirse en un envase o envolverse adecuadamente usando film plástico u otros materiales adecuados.	

-  Las botellas deberán almacenarse unas junto a otras para que no se golpeen y caigan al abrir la puerta del refrigerador.
-  Si tiene planeado ausentarse durante un período de tiempo prolongado, vacíe el refrigerador y apáguelo. Limpie el exceso de humedad del interior del electrodoméstico y deje las puertas abiertas. Esto ayuda a evitar la proliferación de olores y moho.

CONSEJOS ÚTILES DE ALMACENAMIENTO DE ALIMENTOS

Alimentos	Refrigerador	Heladera	Consejos útiles de almacenamiento
PRODUCTOS LÁCTEOS			
Mantequilla	2-3 Semanas	6-9 Meses	Envuélvala o tápela herméticamente.
Leche	1-2 Semanas	No recomendado	Chequee la fecha. La mayoría de la leche y productos similares se venden en cajas de cartón fechadas que indican el período de máxima frescura de un producto. Vuelva a cerrar herméticamente mediante tapa o envoltorio. No devuelva el producto no consumido al recipiente original.
Queso en crema, derivados del queso y queso para untar	2-4 Semanas	No recomendado	Chequee la fecha. Mantenga todos los quesos guardados herméticamente en un envoltorio con protección contra la humedad.
Queso curado (sin abrir)	3-4 Meses	6 Meses	
Queso curado (abierto)	2 Meses	No recomendado	
Queso fresco	10-15 Días	No recomendado	
Nata	7-10 Días	2 Meses	Chequee la fecha. La mayoría de los yogures, cremas y productos similares se venden en cajas de cartón fechadas que indican el período de máxima frescura de un producto. Vuelva a cerrar o tapar herméticamente. No devuelva el producto no consumido al recipiente original.
Crema agria	2 Semanas	No recomendado	
Salsa Dip (abierta)	1 Semana	No recomendado	
Yogur	10-14 Días	No recomendado	Chequee la fecha. Manténgalo tapado.
Yogur congelado	n/a	2 Meses	
HUEVOS			
Huevos (frescos)	3-4 Semanas	No recomendado	Chequee la fecha. Guarde los huevos en la parte más fría del refrigerador y dentro de su envase original.
Huevos (cocinados)	1 semanas	No recomendado	Guarde en envase con tapa.
Sobras de platos con huevo	3-4 Días	No recomendado	Guarde en envase con tapa.
FRUTA FRESCA			
Manzanas	1 Meses	No recomendado	No lave la fruta antes de introducirla en el refrigerador. Guárdela en bolsas o recipientes resistentes a la humedad. Envuelva la fruta cortada. Algunas frutas se ponen negras al introducirlas en el refrigerador.
Plátanos	2-4 Días	No recomendado	
Melocotones, melones, peras, aguacates	3-5 Días	No recomendado	
Bayas y cerezas	2-3 Días	12 Meses	
Albaricoques	3-5 Días	No recomendado	
Uvas	2-5 Días	n/a	
Piña (sin cortar)	2-3 Días	No recomendado	
Piña (cortada)	5-7 Días	6-12 Meses	
Cítricos	1-2 Semanas	No recomendado	Guárdelos sin cubrir.
Zumo	6 Días	No recomendado	Chequee la fecha y vuelva a cerrar su recipiente original. No devuelva el producto no consumido al recipiente original.
Zumo congelado	Sólo para descongelar	12 Meses	Chequee la fecha. No vuelva a congelarlo.

Uso de su refrigerador SAMSUNG

Alimentos	Refrigerador	Heladera	Consejos útiles de almacenamiento
PESCADO Y MARISCO			
Pescado			
Pescados azules (caballa, trucha, salmón)	1-2 Días	2-3 Meses	Manténgalo en su envoltorio original e introdúzcalo en la parte más fría del refrigerador. Introdúzcalo en plástico para congelados con protección contra el vapor y la humedad. Congélelo a 0° F (-18° C). Descongélelo en el refrigerador o chequee la fecha. Congélelo en su envase original.
Pescado blanco (bacalao, lenguado, etc.)	1-2 Días	6 Meses	
Congelado o empanado	n/a	3 Meses	
Marisco			
Gambas (crudas)	1-2 Días	12 Meses	Congelar en un recipiente con protección contra el vapor y la humedad.
Cangrejo	3-5 Días	10 Meses	
Pescado o marisco congelado	2-3 Días	3 Meses	
CARNE			
Fresca, cruda			
Chuletas	2-4 Días	6-12 Meses	Chequee la fecha para usarla. Guárdela en la parte más fría del refrigerador, en su envase original. Use un recipiente con protección contra la humedad y el vapor para congelar. Temperatura recomendada para el refrigerador entre 33° F y 36° F (0,5° C a 2° C) y para la heladera entre 0° F y 2° F (-18° C y -17° C).
Picada	1 Día	3-4 Meses	
Costillas	2-4 Días	6-12 Meses	
Bacon	1-2 Semanas	1-2 Meses	
Salchicha	1-2 Días	1-2 Meses	
Bistec	2-4 Días	6-9 Meses	
Aves	1 Día	12 Meses	
Charcutería	3-5 Días	1 Meses	
Cocinada			
Carne	2-3 Días	2-3 Meses	Chequee la fecha para usarla. Guárdela en la parte más fría del refrigerador, en su envase original. Introducir en un recipiente con protección contra la humedad y el vapor para congelar.
Aves	2-3 Días	4-5 Meses	
Jamón	1-2 semanas	1-2 Meses	

Fuentes:

American Meat Institute Foundation. 1994. Páginas amarillas: respuestas a las preguntas más frecuentes acerca de carnes y aves.
 American Meat Institute Food Marketing Institute. 1999. The food keeper. Food Marketing Institute, Washington, D.C. Freeland-Graves, J.H. and G.C. Peckham. 1996. Foundations of food preparation, 6ª ed. Prentice-Hall, Inc. Englewood Cliffs, NJ. Hillers, V.N. 1993. Storing foods at home. Washington State University Cooperative Extension, Pullman, WA. Publ. EB 1205. National Restaurant Association. 2001. Be cool-chill out! Refrigerate promptly. National Restaurant Association Education Foundation's International Food Safety Council, Washington, D.C. USDA. 1997. Basics for handling food safely. U.S. Department of Agriculture, Food Safety and Inspection Service, Washington, D.C.

DESMONTAJE DE LOS ACCESORIOS DEL REFRIGERADOR

1. Compartimentos de puerta

Para desmontarlo: Simplemente levántelo y extráigalo directamente.

Para volver a montarlo: Deslícelo sobre el emplazamiento deseado y pulse hasta encajarlo en posición.

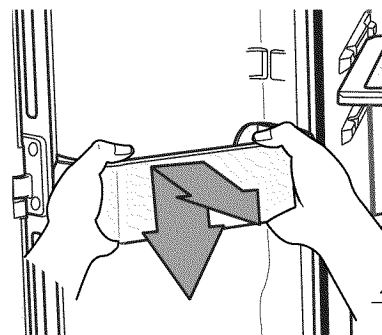


Si los compartimentos de la puerta no estuvieran firmemente instalados, podrían producirse lesiones. No permita a los niños jugar con los compartimentos. Las esquinas afiladas de los compartimentos pueden provocar lesiones.



No monte un compartimento lleno de alimentos.

Método de eliminación de polvo: desmonte la protección y lave en agua.



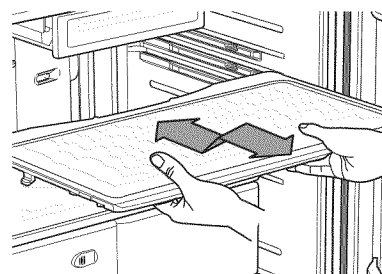
2. Baldas del refrigerador

Para desmontarlas: Al sacar la balda, está no se desliza fácilmente, levántela ligeramente y vuelva a extraerla.

Para volver a montarlas: Al introducir la balda, está no se desliza fácilmente, levántela ligeramente y vuelva a empujarla.



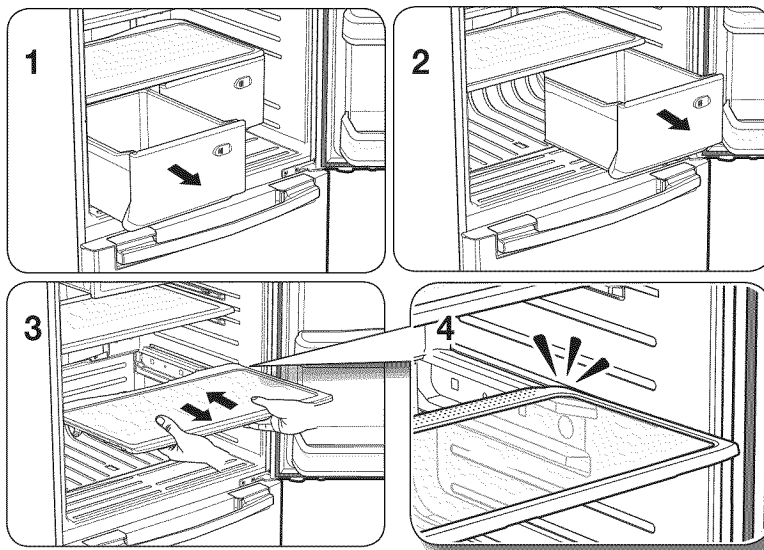
Las baldas de cristal son pesadas. Ponga especial atención al desmontarlas.



3. Gaveta para fruta y verdura

Para desmontarlo: extraiga la gaveta por completo. Incline hacia arriba la parte frontal de la gaveta y extráigala directamente hacia fuera. (Examine las ilustraciones 1~3)

Para volver a montarlo: introduzca la gaveta en los rieles del marco y empújela hacia atrás hasta su posición. (Examine la ilustración 4)



Para poder extraer las gavetas, es necesario desmontar antes la balda de cristal situada sobre ellas.

Uso de su refrigerador SAMSUNG

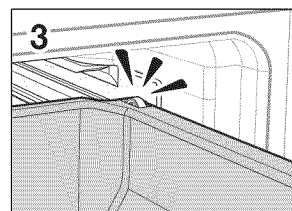
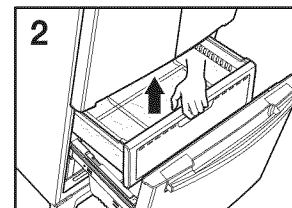
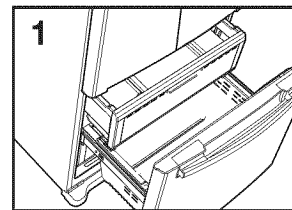
DESMONTAJE DE LOS ACCESORIOS DE LA HELADERA

1. Gaveta extraíble

Para desmontarlo: Extraiga la gaveta por completo. Incline hacia la parte posterior de la gaveta y elévela directamente. (Examine las ilustraciones 1 y 2)

Abra por completo la puerta de la heladera y desmonte la gaveta.

Para volver a montarlo: Sitúe la gaveta dentro de los rieles inclinándola hacia arriba. Haga descender la gaveta hasta que se encuentre en posición horizontal y deslícela hacia dentro. (Examine la ilustración 3).



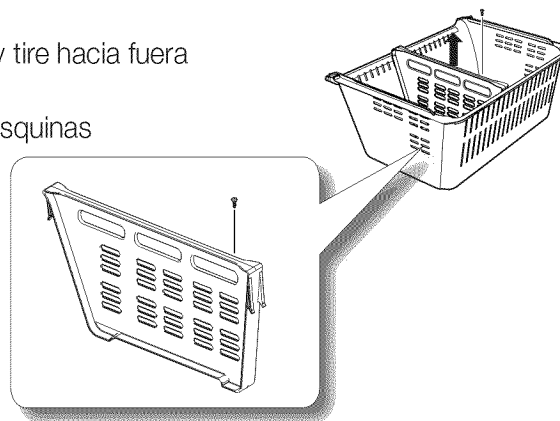
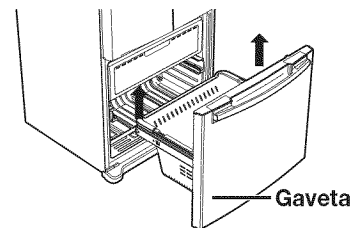
2. Compartimento de la gaveta de la heladera

Para desmontarlo: Extraiga completamente la gaveta. Incline la parte posterior del compartimento y levántelo para extraerlo.

Para volver a montarlo: Introduzca el compartimento dentro de los rieles de montaje.

Para desmontar la división: Extraiga el perno y tire hacia fuera de la división.

Para volver montar la división: Enganche las esquinas superiores de la división en el hueco del compartimento. Introduzca y apriete el perno.



No permita que los bebés ni los niños accedan al interior del compartimento de la gaveta. Estas acciones podrían dañar el refrigerador y herir gravemente a los niños. No los apoye en la puerta de la heladera. La puerta podría romperse. No permita que los niños accedan al interior la cesta de la heladera.



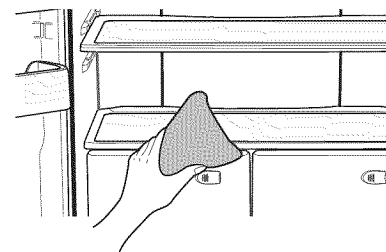
Si decide retirar la división para limpiar la cesta de la gaveta, deberá volver a instalarla usando el perno una vez finalizadas dichas labores de limpieza, para evitar que los niños queden atrapados dentro de la cesta.

LIMPIEZA DEL REFRIGERADOR

Los cuidados de su refrigerador Samsung prolongarán su vida útil y ayudarán a mantenerlo libre de olores y gérmenes.

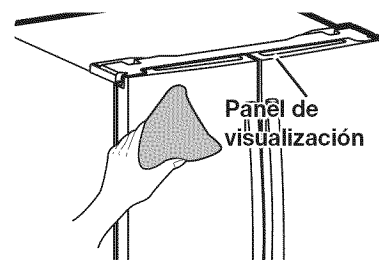
Limpieza del interior

Limpie las paredes interiores y los accesorios con un detergente suave y, a continuación, enjuague y seque con un paño suave. Puede extraer las gavetas y las baldas para llevar a cabo una limpieza minuciosa. Simplemente asegúrese de secar gavetas y baldas antes de volverlas a colocar en su sitio.



Limpieza del exterior

Limpie el panel de visualización con un paño húmedo, limpio y suave. No pulverice agua directamente sobre la superficie del refrigerador. La superficie de las puertas, tiradores y armario deberán limpiarse con un detergente suave y secarse, a continuación, con un paño seco. Para mantener su electrodoméstico como el primer día, el exterior deberá encerarse una o dos veces al año.



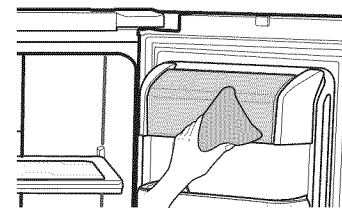
No use benceno, disolventes, detergente para vehículos o Clorox™ para realizar la limpieza. Pueden dañar la superficie del electrodoméstico y provocar un incendio.

Las letras impresas en la pantalla podrían desprenderse si pulveriza los productos de limpieza directamente sobre la unidad.



Limpieza de los sellos de goma de la puerta

Si los sellos de goma están sucios, las puertas podrían no cerrar adecuadamente y el refrigerador no funcionar de forma eficiente. Mantenga las puertas libres de polvo y suciedad limpiándolas con detergente suave y un paño húmedo. Séquela con un paño limpio y suave.

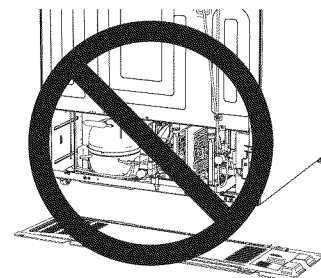


Limpieza detrás del refrigerador

Para mantener cables y partes expuestas libres de polvo y acumulación de suciedad, aspire la parte de detrás del electrodoméstico una o dos veces al año.



No desmonte la cubierta de atrás. Hacerlo podría ocasionar un choque eléctrico.



Uso de su refrigerador SAMSUNG

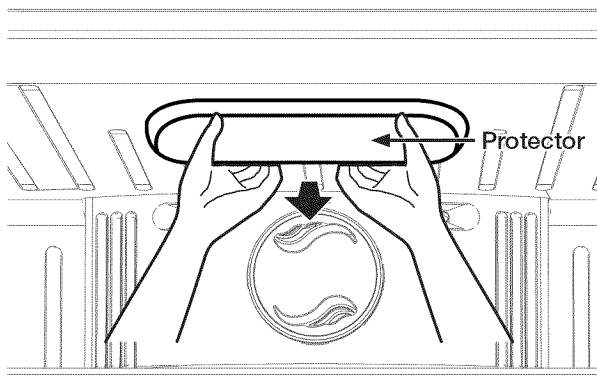
REEMPLAZO DE FOCOS INTERIORES



Antes de reemplazar las luces interiores, desenchufe el refrigerador del suministro eléctrico. Si no está seguro de cómo reemplazar las luces tras leer estas instrucciones, póngase en contacto con su centro de servicio Samsung para obtener ayuda.

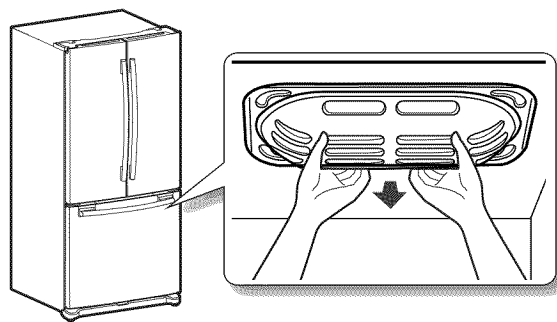
Reemplazo de la luz interior del refrigerador

1. Desenchufe el cable de alimentación de la toma de corriente.
2. Tire de la protección hacia abajo mientras la empuja hacia atrás para extraerla.
3. El foco podría alcanzar temperaturas elevadas, por lo que debe tener cuidado al tocarlo.
4. Gire el foco en sentido antihorario.
5. El montaje se realizará en el orden inverso al desmontaje.

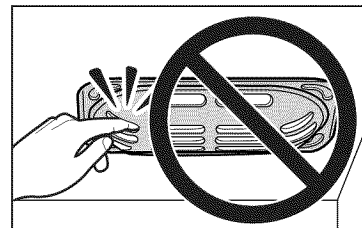


Reemplazo de la luz interior de la gaveta de la heladera

1. Desenchufe el cable de alimentación de la toma de corriente.
2. Extraiga completamente la gaveta.
3. Tire de la protección hacia abajo mientras la empuja hacia atrás para extraerla.
4. La luz puede alcanzar temperaturas elevadas. Tenga cuidado al tocar el foco.
5. Gire el foco en sentido antihorario.
6. El montaje se realizará en el orden inverso al desmontaje.



No introduzca los dedos dentro de la cubierta. La luz podría alcanzar temperaturas elevadas.



Solución de problemas

PROBLEMA	SOLUCIÓN
El refrigerador no funciona o no enfría lo suficiente.	<ul style="list-style-type: none"> • Chequee que la toma de alimentación está correctamente conectada. • ¿Está ajustado en la temperatura correcta el control de temperatura del panel de visualización? Intente ajustarlo a una temperatura inferior. • ¿Está instalado el refrigerador bajo la luz directa del sol o junto a una fuente de calor? • ¿Está la parte posterior del refrigerador demasiado próxima a la pared y, por tanto, impidiendo la circulación del aire? (Examine la página 10 para obtener información sobre el mejor emplazamiento).
Los alimentos del refrigerador están congelados.	<ul style="list-style-type: none"> • ¿Está ajustado en la temperatura correcta el control de temperatura del panel de visualización? Intente ajustarlo a una temperatura más alta. • ¿Es muy baja la temperatura de la estancia? • ¿Introdujo los alimentos demasiado cerca del conducto de ventilación de aire situado en la parte posterior del refrigerador? Retire los alimentos del conducto de ventilación de aire.
Se oyen ruidos o sonidos inusuales.	<ul style="list-style-type: none"> • Chequee que el refrigerador esté nivelado y sea estable. • ¿Está la parte posterior del refrigerador demasiado próxima a la pared y, por tanto, impidiendo la circulación del aire? • ¿Ha caído algo en la parte de atrás o bajo el refrigerador? • Se oyen sonidos repetitivos procedentes del interior del refrigerador. Es normal y ocurre debido a que varios accesorios se contraen y expanden en base a la temperatura del interior del refrigerador.
Las esquinas frontales y la sección con bisagras vertical del electrodoméstico están calientes, produciéndose condensación.	<ul style="list-style-type: none"> • Es normal que se produzca algo de calor ya que los sistemas anticondensación están instalados en la sección con bisagras vertical del refrigerador para evitar dicho fenómeno. • ¿Está entreabierta la puerta del refrigerador? Puede producirse condensación cuando la puerta permanece abierta durante un período de tiempo prolongado.
La máquina de hielo no está elaborando cubitos.	<ul style="list-style-type: none"> • ¿Ha esperado las 12 horas posteriores a la instalación de la toma de abastecimiento de agua antes de elaborar hielo? • ¿Está conectada la toma de agua y la válvula de corte abierta? • ¿Detuvo manualmente el funcionamiento de la máquina de hielo? • ¿Es demasiado alta la temperatura de la heladera? Intente ajustar una temperatura más baja en la heladera.
Escucha un borboteo de agua procedente del refrigerador.	<ul style="list-style-type: none"> • Esto se considera normal. El borboteo procede de la circulación del líquido de refrigeración a través del refrigerador.
Se perciben malos olores procedentes del refrigerador.	<ul style="list-style-type: none"> • Chequee que no existen alimentos estropeados. • Los alimentos con un olor fuerte (por ejemplo, pescados) deben cubrirse herméticamente. • Limpie periódicamente su heladera chequeando y desechando alimentos en mal estado o sospechosos de estarlo.
Se forma escarcha en las paredes de la heladera.	<ul style="list-style-type: none"> • ¿Está bloqueado el conducto de ventilación? Elimine cualquier obstrucción para conseguir que el aire circule libremente. • Disponga suficiente espacio entre los alimentos almacenados para lograr una circulación de aire más eficiente. • ¿Está cerrada correctamente la puerta de la heladera?
No funciona el dispensador de agua. (Sólo en modelos con dispensador de agua)	<ul style="list-style-type: none"> • ¿Está conectada la toma de agua y la válvula de corte abierta? • ¿Está siendo aplastado o doblado el conducto de la toma de suministro de agua? Asegúrese de que el conducto esté libre y limpio de cualquier obstrucción. • ¿Está congelado el depósito de agua debido a que la temperatura del refrigerador es demasiado baja? Intente escoger un ajuste de temperatura más alta en el panel de visualización principal.

Garantía

REFRIGERADOR SAMSUNG

GARANTÍA LIMITADA AL COMPRADOR ORIGINAL

Este producto de marca Samsung, suministrado y distribuido por Samsung Electronics America, Inc. (Samsung) y entregado nuevo, en su caja de cartón original al comprador original, está garantizado por Samsung ante defectos de fabricación en materiales y mano de obra durante un período de garantía limitado a:

Un (1) año para piezas y mano de obra del refrigerador

Cinco (5) años para piezas y mano de obra exclusivamente del sistema hermético de refrigeración.

(*Compresor, evaporador, condensador, deshumidificador, tuberías de conexión)

Esta garantía limitada comienza en la fecha original de compra y sólo es válido para productos adquiridos y usados en los Estados Unidos. Para recibir servicios bajo garantía, el comprador debe ponerse en contacto con Samsung para proceder a la resolución del problema y al procedimiento de reparación. El servicio de garantía sólo puede realizarse a través de un servicio técnico autorizado Samsung. Debe presentarse la factura original de venta bajo solicitud de Samsung o del servicio técnico autorizado Samsung, como prueba de compra.

Samsung reparará o reemplazará cualquier pieza considerada defectuosa a nuestra entera discreción y sin cargo, como queda estipulado en este documento, por piezas nuevas o reparadas durante el período de garantía limitada anteriormente especificado. Todas las piezas y productos reemplazados pasan a ser propiedad de Samsung, debiendo ser devueltos a Samsung. Las piezas y productos de repuesto quedarán aún bajo el período restante de garantía original, o noventa (90) días, el que sea más extenso.

La prestación de servicios en sitio será proporcionada durante el período de garantía de mano de obra, sujeta a disponibilidad dentro de los estados contiguos de los EE.UU. La prestación de servicios en sitio no está disponible en todas las zonas. Para recibir prestación de servicios en sitio, el producto debe estar despejado y ser accesible al nivel del piso por parte del personal de servicio. Si durante la prestación de servicios en sitio, no pudiera completarse la reparación, podría ser necesario el traslado, reparación y devolución posterior del producto. Si la prestación de servicios en sitio no está disponible, Samsung podría escoger, a nuestra entera discreción, proporcionar transporte a nuestra elección hasta y desde un servicio técnico autorizado Samsung. De lo contrario, el transporte hasta y desde el servicio técnico autorizado Samsung corre por cuenta del comprador.

Esta garantía limitada cubre defectos de fabricación en materiales y mano de obra bajo condiciones de uso normal, no comercial, del producto y no se aplicará en los siguientes casos, incluidos, aunque no limitados a: daños ocasionados durante el transporte; entrega e instalación; utilidades y usos para los que el producto no fue diseñado; producto o números de serie alterados; daños externos o de acabado exterior; accidentes, mal uso, negligencia, incendio, agua, rayos u otros fenómenos naturales; uso de productos, equipamiento, sistemas, utilidades, servicios, piezas, suministros, accesorios, aplicaciones, instalaciones, reparaciones, tuberías externas y fugas, cableado externo, disyuntores, fusibles o conectores no suministrados y autorizados por Samsung o que dañen este producto u ocasionen problemas de servicio; voltaje incorrecto, fluctuaciones y sobretensión del suministro eléctrico; adaptaciones y fallas, por parte del cliente, en el cumplimiento de las instrucciones de funcionamiento, limpieza, mantenimiento y de entorno que se incluyen y establecen en el manual de instrucciones; pérdida de alimentos por descomposición; consumibles incluyendo filtros y focos de iluminación.

NO EXISTEN OTRAS GARANTÍAS EXPLÍCITAS MÁS QUE LAS RECOGIDAS Y DESCRITAS ANTERIORMENTE, ASÍ COMO TAMPOCO EXISTEN OTRAS GARANTÍAS EXPLÍCITAS O IMPLÍCITAS, INCLUYENDO SIN LIMITACIÓN TODAS LAS GARANTÍAS IMPLÍCITAS DE COMERCIALIZABILIDAD O IDONEIDAD PARA UN FIN CONCRETO QUE PUDIERAN RESULTAR PERTINENTES TRAS LOS PERÍODOS EXPLÍCITOS DE GARANTÍA INDICADOS CON ANTERIORIDAD. TAMPOCO SERÁN LEGALMENTE VINCULANTES PARA SAMSUNG OTRAS GARANTÍAS EXPLÍCITAS U OFRECIDAS POR PERSONAS, FIRMAS O EMPRESAS EN RELACIÓN A ESTE PRODUCTO. SAMSUNG NO SERÁ LEGALMENTE RESPONSABLE DE LA PÉRDIDA DE INGRESOS O BENEFICIOS, LA NO MATERIALIZACIÓN DE AHORROS U OTROS BENEFICIOS, O DE CUALQUIER DAÑO RESULTANTE ESPECIAL, ACCIDENTAL O INDIRECTO OCASIONADO POR EL USO, ABUSO O INCAPACIDAD DE USO DE ESTE PRODUCTO, INDEPENDIENTEMENTE DE LA TEORÍA LEGAL SOBRE LA QUE SE BASA LA RECLAMACIÓN, INCLUSO SI SAMSUNG HA SIDO ADVERTIDO DE LA POSIBILIDAD DE TALES DAÑOS. IGUALMENTE, CUALQUIER TIPO RECUPERACIÓN EXIGIDA A SAMSUNG NO SUPERARÁ EL PRECIO DE COMPRA DEL PRODUCTO VENDIDO POR SAMSUNG Y QUE HA OCASIONADO EL SUPUESTO DAÑO. SIN LIMITAR LO INDICADO ANTERIORMENTE, EL COMPRADOR ASUME TODO EL RIESGO Y RESPONSABILIDAD DE CUALQUIER PÉRDIDA, DAÑO O LESIÓN PERSONAL Y A SU PROPIEDAD, ASÍ COMO A TERCEROS Y SUS PROPIEDADES, OCASIONADAS POR EL USO, ABUSO O INCAPACIDAD DE USO DE ESTE PRODUCTO VENDIDO POR SAMSUNG Y NO PROVOCADAS DIRECTAMENTE POR LA NEGLIGENCIA DE SAMSUNG. ESTA GARANTÍA LIMITADA NO SERÁ VÁLIDA PARA PERSONAS DISTINTAS AL COMPRADOR ORIGINAL DE ESTE PRODUCTO, ES INTRANSFERIBLE Y ESTIPULA SU SOLUCIÓN EXCLUSIVA.

Ciertos estados no permiten limitaciones en relación a la duración de una garantía implícita o la exclusión o limitación de daños accidentales o indirectos, de tal forma que las mencionadas limitaciones o excepciones pueden no ser pertinentes. Esta garantía le otorga unos derechos legales específicos, e incluso puede conferirle otros derechos, distintos dependiendo del estado en que se encuentre.

Para obtener servicio de garantía, póngase en contacto con Samsung en:

CENTRO DE ASISTENCIA AL CLIENTE DE SAMSUNG

Samsung Electronics America, Inc. 400 Valley Road Suite 201 Mt. Arlington, NJ 07956

1-800-SAMSUNG (1-800-726-7864) y www.samsung.com



QUESTIONS OR COMMENTS?

COUNTRY	CALL	OR VISIT US ONLINE AT	WRITE
U.S	800-SAMSUNG (800-726-7864)	www.samsung.com	Samsung Electronics America, Inc. 400 Valley Road Suite 201 Mt. Arlington, NJ 07956
CANADA	800-SAMSUNG (800-726-7864)	www.samsung.com/ca	Samsung Electronics Canada Inc. Customer Service, 55 Standish Court Mississauga, Ontario L5R 4B2 Canada