

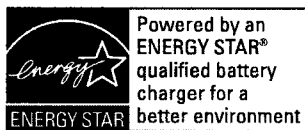
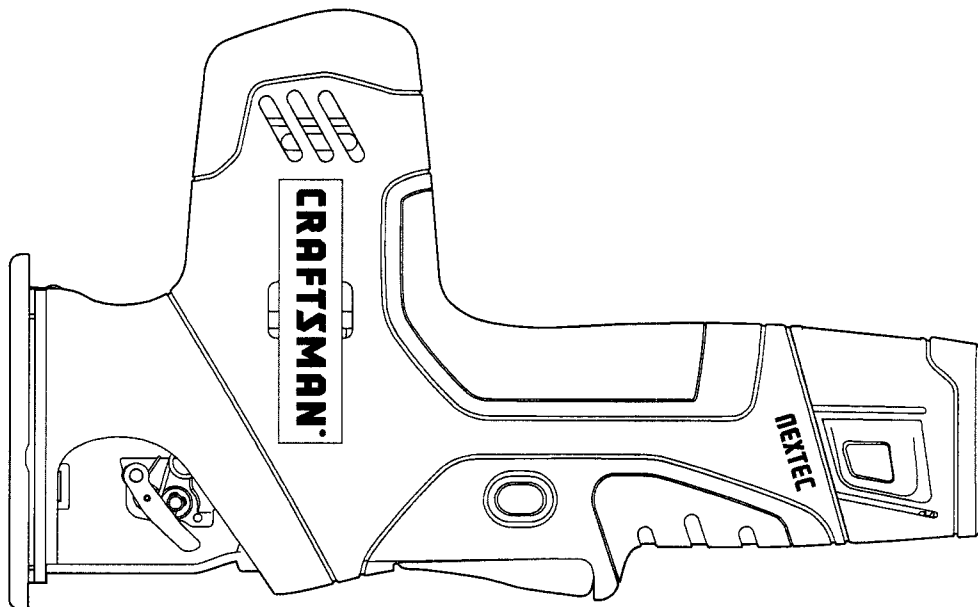
Operator's Manual

CRAFTSMAN®

NEXTEC

12.0-Volt LITHIUM-ION MULTI-SAW

Model No. 320. 10004



⚠ CAUTION! Read, understand and follow all Safety Rules and Operating Instructions in this Manual before using this product.

Charge battery before use.

- Warranty
- Safety
- Assembly
- Description
- Operation
- Maintenance

Sears Brands Management Corporation

www.craftsman.com

TABLE OF CONTENTS

Warranty	Page 2
Safety Symbols	Pages 3-4
Safety Instructions	Pages 5-11
Description	Pages 11-12
Assembly	Page 13
Operation	Pages 14-20
Maintenance	Page 21
Troubleshooting	Page 22
Exploded View and Parts List	Pages 23-25
Sears Repair Parts Phone Number	Back Cover

ONE YEAR FULL WARRANTY ON CRAFTSMAN® TOOL

If this Craftsman tool fails to give complete satisfaction within one year from the date of purchase, return it to any Sears store or Parts & Repair Center or other Craftsman outlet in the United States for free repair (or replacement, if repair proves impossible).

This warranty does not include expendable parts such as lamps, batteries, bits, or blades.

This warranty applies for only 90 days from the date of purchase if this product is ever used for commercial or rental purposes.

This warranty gives you specific legal rights, and you may also have other rights which vary from state to state.

Sears, Roebuck and Co., Hoffman Estates IL 60179

INTRODUCTION

SAVE THESE INSTRUCTIONS!

READ ALL INSTRUCTIONS!

This Multi-Saw has many features for making its use more pleasant and enjoyable. Safety, performance, and dependability have been given top priority in the design of this product, making it easy to maintain and operate.

⚠ WARNING: Some dust created by using power tools contains chemicals known to the state of California to cause cancer and birth defects or other reproductive harm.

SAFETY SYMBOLS

The purpose of safety symbols is to attract your attention to possible dangers.

The safety symbols, and the explanations with them deserve your careful attention and understanding. The symbol warnings do not, by themselves, eliminate any danger. The instructions and warnings they give are no substitutes for proper accident prevention measures.

⚠ WARNING: Be sure to read and understand all safety instructions in this manual, including all safety alert symbols such as "DANGER," "WARNING," and "CAUTION," before using this Multi-Saw. Failure to follow all instructions listed below may result in electric shock, fire, and/or serious personal injury.

⚠ DANGER: Indicates an imminently hazardous situation, which, if not avoided, will result in death or serious injury.

⚠ WARNING: Indicates a potentially hazardous situation, which, if not avoided, could result in death or serious injury.

⚠ CAUTION: Indicates an imminently hazardous situation, which, if not avoided, may result in death or serious injury.











NOTE: (Without Safety Alert Symbol) Indicates a situation that may result in property damage.

⚠ WARNING: To ensure safety and reliability, all repairs should be performed by a qualified service technician at Sears Service Center.



⚠ WARNING: The operation of any power tools can result in foreign objects being thrown into your eyes, which can result in severe eye damage. Before beginning power tool operation, always wear safety goggles or safety glasses with side shield and a full face shield when needed. We recommend a Wide Vision Safety Mask for use over eyeglasses or standard safety glasses with side shields. Always use eye protection which is marked to comply with ANSI Z87.1.

Some of the following symbols may be used on this tool. Please study them and learn their meaning. Proper interpretation of these symbols will allow you to operate the tool better and more safely.

SYMBOL	NAME	DESIGNATION / EXPLANATION
V	Volts	Voltage
A	Amperes	Current
Hz	Hertz	Frequency (cycles per second)
W	Watt	Power
min	Minutes	Time
~	Alternating Current	Type of current
==	Direct Current	Type or a characteristic of current
n_0	No Load Speed	Rotational speed, at no load
	Class II Construction	Double-insulated construction
.../min	Per Minute	Revolutions, strokes, surface speed, orbits, etc., per minute
	Wet Conditions Alert	Do not expose to rain or use in damp locations.
	Read the Product Manual	To reduce the risk of injury, user must read and understand product manual before using this product.
	Eye Protection	Always wear safety goggles or safety glasses with side shields and a full-face shield when operating this product.
	Safety Alert	Precautions that involve your safety.
	No Hands Symbol	Failure to keep your hands away from the blade will result in serious personal injury.
	No Hands Symbol	Failure to keep your hands away from the blade will result in serious personal injury.
	No Hands Symbol	Failure to keep your hands away from the blade will result in serious personal injury.
	No Hands Symbol	Failure to keep your hands away from the blade will result in serious personal injury.
	Hot Surface	To reduce the risk of injury or damage, avoid contact with any hot surface.

SAFETY INSTRUCTIONS

⚠ WARNING: Read and understand all instructions. Failure to follow all instructions listed below may result in electric shock, fire, and/or serious personal injury. The term "power tool" in all of warnings listed below refers to corded power tools or battery-operated (cordless) power tools.

READ AND SAVE THESE INSTRUCTIONS

- **Know your Multi-Saw.** Read the operator's manual carefully. Learn the applications and limitations, as well as the specific potential hazards related to this Multi-Saw. Following this rule will reduce the risk of electric shock, fire or serious injury.

- **Use only the recommended battery pack and charger.** Any attempt to use another battery pack will cause damage to the Multi-Saw and it could possibly explode, or cause a fire or personal injury.

- **Use the battery only with the charger listed:**

BATTERY PACK	CHARGER
320.11221	320.10006

- **Remove the battery pack from Multi-Saw** before performing any routine maintenance or cleaning.

- **Do not disassemble the Multi-Saw.**

- **Do not place the Multi-Saw or the battery pack near fire or heat.** They may explode.

- **Do not dispose of a worn out battery pack by incinerating.** Do not incinerate the battery, even if it is severely damaged or completely worn out. The battery may explode in fire.

- **Do not operate the Multi-Saw or the charger near flammable liquids or in a gaseous or explosive atmosphere.** Internal sparks may ignite fumes.

- **To reduce the risk of electric shock,** do not put the Multi-Saw, battery, or charger in water or other liquid. Do not place or store the product where it can fall or be pulled into a tub or sink.

- **Do not store the Multi-Saw in a damp or wet location. Do not store in locations where temperature is less than 32°F (0°C) or more than 104°F (40°C).** Do not store outside or in vehicles.

- **Do not permit children to use the Multi-Saw.** It is not a toy.

- **The Multi-Saw blade may become very hot** after operating for only a short period of time. This increased temperature can cause burn injury if touched and can create sufficient heat to melt some fabrics.

- **The Multi-Saw worklight may produce sufficient heat to melt some fabrics.** To avoid serious personal injury, keep the Multi-Saw worklight free of contact with other items.
- **Keep the Multi-Saw dry, clean, and free of oil and grease.** Always use a clean cloth when cleaning. Never use brake fluids, gasoline, petroleum-based products or any strong solvent to clean the Multi-Saw.
- **Do not expose Multi-Saw to rain or wet conditions.** Water entering the Multi-Saw will increase the risk of electric shock.
- **Do not overreach. Keep proper footing and balance at all times.** This enables better control of the Multi-Saw in unexpected situations. Do not use on a ladder or unstable support.

WORK AREA SAFETY

- **Keep the work area clean and well lit.** Cluttered or dark areas invite accidents.
- **Do not operate power tools in explosive environments,** such as in the presence of flammable liquids, gases, or dust. Power tools create sparks which may ignite the dust or fumes.
- **Keep children and bystanders away while operating a power tool.** Distractions may cause you to lose control.

ELECTRICAL SAFETY

- **Avoid body contact with grounded surfaces,** such as pipes, radiators, ranges, and refrigerators. There is an increased risk of electric shock if your body is grounded.
- **Power tool plugs must match the outlet.** Never modify the plug in any way. Do not use any adapter plugs with grounded power tools. Unmodified plugs and matching outlets will reduce the risk of electric shock.
- **Do not expose power tools to rain or wet conditions.** Water entering a power tool will increase the risk of electric shock.
- **Do not abuse the cord.** Never use the cord for carrying, pulling, or unplugging the power tool. Keep the cord away from heat, oil, sharp edges, and moving parts. Damaged or entangled cords increase the risk of electric shock.
- **When operating a power tool outdoors, use an extension cord suitable for outdoor use.** Use of a cord suitable for outdoor use reduces the risk of electric shock.

PERSONAL SAFETY

- **Stay alert, watch what you are doing, and use common sense** when operating a power tool. Do not use a power tool while tired or under the influence of drugs, alcohol, or medication. A moment of inattention while operating power tools may result in serious personal injury.
- **Use safety equipment. Always wear eye protection.** Safety equipment, such as dust masks, non-skid safety shoes, hard hat and hearing protection, when used for appropriate conditions, will reduce personal injuries.
- **Avoid accidental starting.** Make sure that the switch is in the "OFF" position before plugging the tool into an electrical outlet or inserting a battery. Carrying power tools with your finger on the switch or supplying power to power tools that have the power switch "ON" invites accidents.
- **Remove any adjusting key or wrench before turning the power tool on.** A wrench or key left attached to a rotating part of the power tool may result in personal injury.
- **Do not overreach. Keep proper footing and balance at all times.** This enables better control of the power tool in unexpected situations.
- **Dress properly.** Do not wear loose clothing or jewelry. Keep your hair, clothing, and gloves away from moving parts. Loose clothes, jewelry, or long hair can be caught in moving parts.
- **If devices are provided for the connection of dust extraction and collection facilities, make sure that these are connected and properly used.** Use of these devices can reduce dust-related hazards.
- **Use clamps or another practical way to support and secure the workpiece to a stable platform.** Holding the work by hand or against your body leaves it unstable and may lead to loss of control.
- **Do not use on a ladder or unstable support.** Stable footing on a solid surface enables better control of the power tool in unexpected situations.
- **Keep handles dry, clean, and free from oil and grease.** Slippery hands cannot safely control the power tool.
- **Always wear safety glasses with side shields.** Everyday glasses may have impact-resistant lenses, but they are NOT safety glasses. Following this rule will reduce the risk of eye injury.
- **Protect your lungs. Wear a face or dust mask if the operation is dusty.** Following this rule will reduce the risk of serious personal injury.
- **Protect your hearing.** Wear hearing protection during extended periods of operation. Following this rule will reduce the risk of serious person injury.

POWER TOOL USE AND CARE

- **Do not force the power tool.** Use the correct power tool for your application. The correct power tool will do the job better and more safely at the rate for which it was designated.
- **Do not use the power tool if the switch does not turn it ON and OFF.** Any power tool that cannot be controlled with the switch is dangerous and must be repaired.
- **Disconnect the plug from the power source and/or the battery pack from the power tool before making any adjustments, changing accessories, or storing power tools.** Such preventive safety measures reduce the risk of starting the power tool accidentally.
- **Store idle power tools out of the reach of children and do not allow persons unfamiliar with the power tool or these instructions to operate the power tool.** Power tools are dangerous in the hands of untrained users.
- **Maintain power tools.** Check for misalignment or binding of moving parts, breakage of parts and any other condition that may affect the power tool's operation. If damaged, have the power tool repaired before use. Many accidents are caused by poorly maintained power tools.
- **Keep cutting tools sharp and clean.** Properly maintained cutting tools with sharp cutting edges are less likely to bind and are easier to control.
- **Use the power tool, accessories, blades, etc. in accordance with these instructions and in the manner intended for the particular type of power tool,** taking in account the working conditions and the work to be performed. Use of the power tool for operations different from those intended could result in a hazardous situation.
- **Hold power tools by the insulated gripping surfaces** when performing any operation when the cutting tool may contact hidden wiring or its own cord. Contact with a "live" wire will also make exposed metal parts of the tool "live" and can shock the operator.
- **Know your power tool. Read the product manual carefully.** Learn its applications and limitations, as well as the specific, potential hazards related to this tool. Following this rule will reduce the risk of electric shock, fire or serious injury.
- **Save these instructions.** Refer to them frequently and use them to instruct others who may use this tool. If you lend this tool to someone else, also lend them these instructions.

BATTERY TOOL USE AND CARE

- **Make sure that the switch is in the OFF position before inserting the battery pack.** Inserting the battery pack into power tools that have the switch ON invites accidents.
- **Recharge only with the charger specified by the manufacturer.** A charger that is suitable for one type of battery pack may create a risk of fire when used with another battery pack.
- **Use power tools only with specifically designated battery packs.** Use of any other battery packs may create a risk of injury and fire.
- **When battery pack is not in use, keep it away from other metal objects,** such as paper clips, coins, keys, nails, screws, or other small metal objects that can make a connection from one terminal to another. Shorting the battery terminals together may cause burns or a fire.
- **Under abusive conditions, liquid may be ejected from the battery; avoid contact.**
- **If contact accidentally occurs, flush with water. If liquid contacts eyes, seek medical help.** Liquid ejected from the battery may cause irritation or burns.
- **Battery tools do not have to be plugged into an electrical outlet; therefore, they are always in operating condition.** Be aware of possible hazards when not using your battery tool or when changing accessories. Following this rule will reduce the risk of electric shock, fire or serious personal injury.
- **Do not place battery tools or their batteries near fire or heat.** This will reduce the risk of explosion and possibly injury.
- **Do not crush, drop or damage the battery pack.** Do not use a battery pack or charger that has been dropped or received a sharp blow.
- **A damaged battery is subject to explosion.** Properly dispose of a dropped or damaged battery immediately.
- **Batteries vent hydrogen gas and can explode in the presence of a source of ignition,** such as a pilot light. To reduce the risk of serious personal injury, never use any cordless product in the presence of open flame. An exploded battery can propel debris and chemicals. If exposed to such debris or chemicals, immediately flush the exposed area with water.
- **Do not charge a battery tool in a damp or wet location.** Following this rule will reduce the risk of electric shock.
- **Under extreme usage or temperature conditions, battery leakage may occur.**
- **If liquid comes in contact with your skin,** wash immediately with soap and water, then neutralize with lemon juice or vinegar.

- **If liquid from the battery gets in your eyes**, flush them with clean water for at least 10 minutes, and then seek immediate medical attention. Following this rule will reduce the risk of serious personal injury.

SERVICE

- **Have your power tool serviced by a qualified repair person.**
- **When servicing a power tool, use only identical replacement parts.**
- **Follow instructions in the Maintenance section of this manual.** Use of unauthorized parts or failure to follow Maintenance instructions may create a risk of shock or injury.

SPECIFIC SAFETY RULES FOR MULTI-SAW

- **Position your body to either side of the saw blade**, and not directly in line with the saw blade.
- **Do not reach under the workpiece.** The blade extends beneath the workpiece when the saw is cutting.
- **Do not touch the blade or the workpiece immediately after operation;** they may be extremely hot and could burn your skin.
- **Do not cut an oversized workpiece.**
- **Check for the proper clearance under the workpiece before cutting**, so that the blade will not strike the workbench or material under the workpiece.
- **Make sure that the blade is not contacting the workpiece before the switch is turned on.**
- **Secure the material before cutting.** Never hold a workpiece in your hand or across your legs. Small or thin material may flex or vibrate with the blade, causing loss of control.
- **Always use a rip fence or straightedge guide when ripping;** this improves the accuracy of the cut and reduces the chance of the blade binding.
- **Never cut more than one piece at a time.** Do not stack more than one workpiece on the worktable at a time.
- **Avoid awkward operations** and hand positions where a sudden slip could cause your hand to move into the blade.
- **Never reach into the cutting path of the blade.**
- **Always use blades that have the correct size and shape.** Blades that do not match the mounting hardware of
- **For best results**, your battery tool should be charged in a location where the temperature is more that 32° F (0° C) but less that 104°F (40°C). Do not store outside or in vehicles.

⚠ WARNING: To reduce the risk of injury, user must read instruction manual.

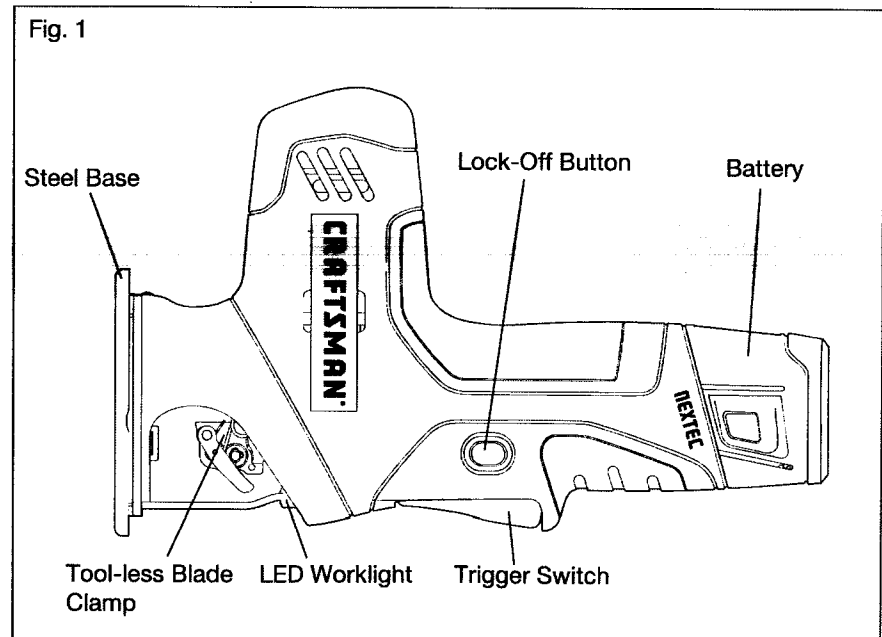
⚠ CAUTION: To reduce the risk of injury, charge only lithium-ion rechargeable batteries. Other types of batteries may burst, causing personal injury or damage.

⚠ WARNING: When using electric appliances, basic precautions should always be followed, including the following:

- To reduce the risk of injury, close supervision is necessary when an appliance is used near children.
- Only use attachments recommended or sold by manufacturer.
- Do not use outdoors.
- For a portable appliance – To reduce the risk of electrical shock, do not put the multi-saw and Battery Pack in water or other liquid. Do not place or store appliance where or can fall or be pulled into a tub or sink.

DESCRIPTION

KNOW YOUR MULTI-SAW (Fig. 1)



PRODUCT SPECIFICATIONS	
Motor Voltage	12V DC
No load speed	2000SPM
Length of stroke	16mm
Blade type	T and U shank
Saw weight (without battery)	1.1lbs
Battery type	Lithium-ion
Battery Voltage	12V DC
Charging Adaptor Output	12.5 V
Optimum charging temperature	32°F (0° C) -104°F (40°C)

⚠ WARNING: The safe use of this product requires an understanding of the information included on the tool and in this operator's manual, as well as knowledge of the project you are attempting. Before using this product, familiarize yourself with all operating features and safety rules.

TOOL-LESS BLADE CLAMP

The blade clamp design does not require the use of a tool (such as a blade wrench) when installing or removing the blade.

LOCK-OFF BUTTON

The lock-off button reduces the possibility of accidental starting. The lock-off button is located on the handle above the trigger switch. It must be depressed in **order to depress the trigger switch.**

LED WORKLIGHT

The LED worklight, located above the tool-less blade clamp, illuminates when the trigger switch is depressed. This feature provides extra light for increased visibility.

ASSEMBLY

⚠ WARNING: If any part is broken or missing, DO NOT attempt to plug in the power cord or operate the saw until the broken or missing part is replaced. Failure to do so could result in possible serious injury.

⚠ WARNING: Do not attempt to modify this saw or create accessories not recommended for use with this saw. Any such alteration or modification is misuse and could result in a hazardous condition leading to possible serious injury.

⚠ WARNING: To prevent accidental starting that could cause serious personal injury, always disconnect the tool from the power source when assembling parts.

UNPACKING

This product has been shipped completely assembled.

- Carefully remove the tool and any accessories from the box. Make sure that all items listed in the packing list are included.
- Inspect the tool carefully to make sure that no breakage or damage occurred during shipping.
- Do not discard the packing material until you have carefully inspected and satisfactorily operated the tool.
- If any parts are damaged or missing, please refer to the numbers listed on the back page of operator's manual.

PACKING LIST

Multi-Saw, 2pc Multi-purpose blades, 1pc on-board hex key, Operator's Manual.

OPERATION

LOW-BATTERY CAPACITY INDICATOR

If the LED worklight begins to rapidly and continuously flash when the trigger switch on the saw is depressed, the battery pack power has run out, and the battery pack should be recharged.

Unlike other battery pack types, Lithium-Ion battery packs deliver fade-free power for their entire run time. The tool will not experience a slow, gradual loss of power as you work. To signal that the battery pack is at the end of its run time and needs to be charged, the power to the tool will drop quickly.

NOTE: The LED may also flash due to an overload or high temperature (see BATTERY PROTECTION).

BATTERY PROTECTION

The battery circuitry protects the battery pack from extreme temperature, over-discharge, and over-charge. To protect the battery from damage and prolong its life, the battery pack circuitry will turn off the battery pack if it becomes overloaded or if the temperature becomes too high during use. This may happen in extremely high torque, binding, and stalling situations. This intelligent system will shut down your battery pack if its operating temperature exceeds 176°F (80°C) and will begin normal operation when it returns to 32°F (0°C) - 122°F (50°C).

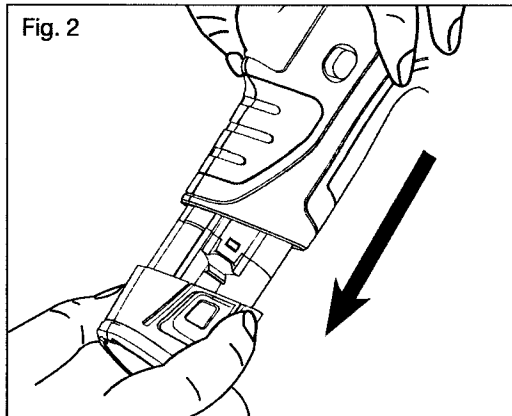
The LED light will begin flash slowly if the battery circuitry detects a momentary overload.

NOTE: The battery can automatically reset. If the LED continues to flash rapidly, it is indicating that the charge is substantially diminished. Place the battery into the charger for charging. (See BATTERY CAPACITY INDICATOR, above.)

NOTE: A significantly reduced run time after fully charging the battery pack indicates that the battery is near the end of its usable life and must be replaced.

TO ATTACH BATTERY PACK (Fig. 2)

1. Make sure that the saw is "OFF."
2. Align the raised rib on the battery pack with the grooves of the Multi-Saw, then attach the battery pack to the Multi-Saw.
3. Make sure that the latch on the battery pack snaps into place and the battery pack is secured to the tool before beginning operation.



TO DETACH BATTERY PACK (Fig. 2)

1. Depress the battery-release button located on the both sides of the battery pack to release battery pack.
2. Pull the battery pack out and remove it from the tool.

⚠ CAUTION: When placing the battery pack in the tool, be sure that the raised rib on the battery pack aligns with the groove inside the Multi-Saw and the latches snap into place properly. Improper assembly of the battery pack can cause damage to internal components.

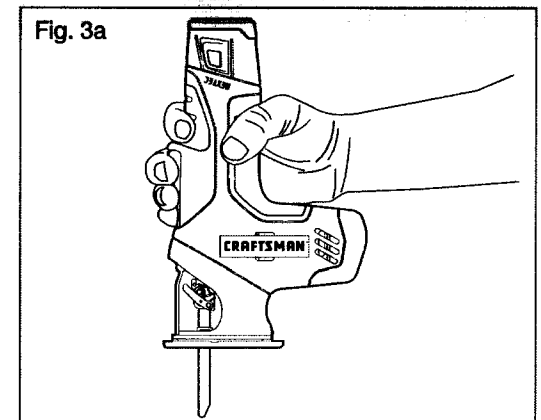
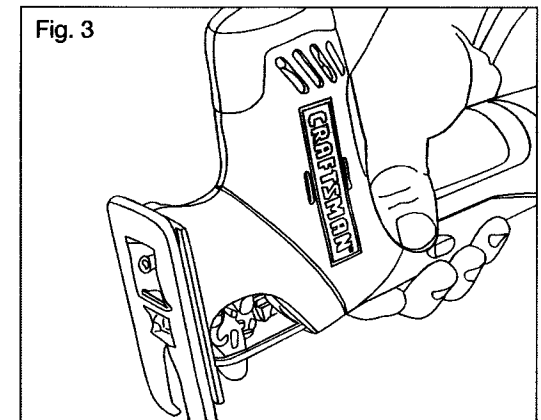
HOW TO GRASP THE TOOL

Reciprocating Saw Mode (Fig. 3)

Grasp the Multi-Saw as shown in Fig.3. for best control of the tool and comfortable use.

Jig Saw Mode (Fig. 3a)

Grasp the Multi-Saw as shown in Fig. 3a for easy-to-control, intricate cutting as a jig saw.



TRIGGER SWITCH (Fig. 4)

To turn the saw ON, depress the lock-off button and then depress the trigger switch.

To turn it OFF, release the trigger switch and the lock-off button will automatically locked.

NOTE: The lock-off button can be activated when the trigger is released.

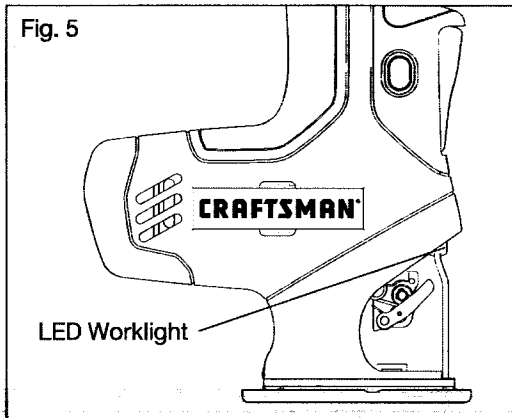
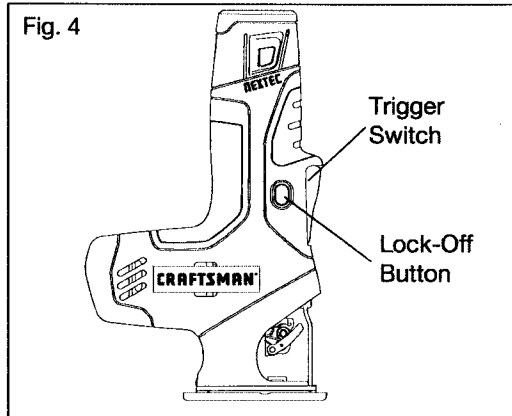
⚠ WARNING: Battery tools are always in operating condition. Therefore, the trigger switch should always be locked when not in use or when carrying the tool at your side.

ELECTRIC BRAKE

To stop the Multi-Saw, release the trigger switch and allow the tool to come to a complete stop. The electric brake quickly stops the saw blade. This feature engages automatically when you release the trigger switch.

LED WORKLIGHT (Fig. 5)

The LED worklight, located above the tool-less blade clamp, provides additional lighting on the surface of the workpiece for operation in lower-light areas. The LED work will come on when the trigger switch is depressed. The LED worklight will turn off when the trigger switch is released.



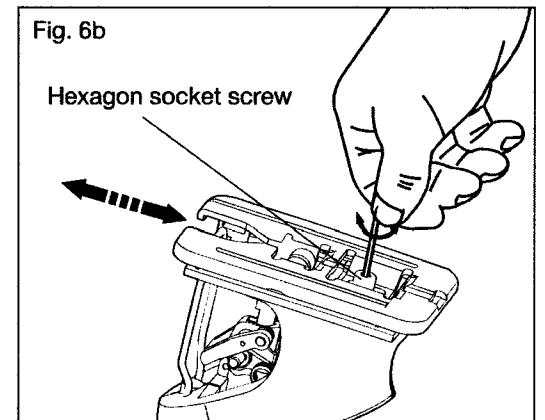
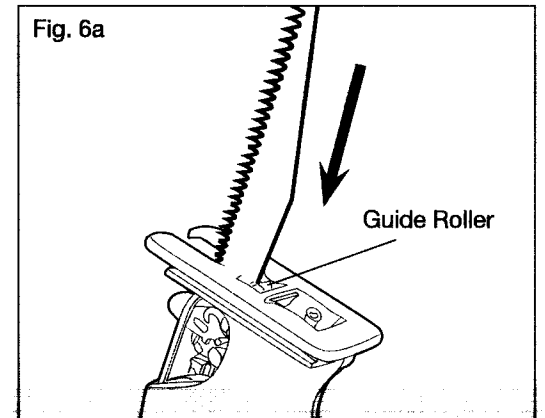
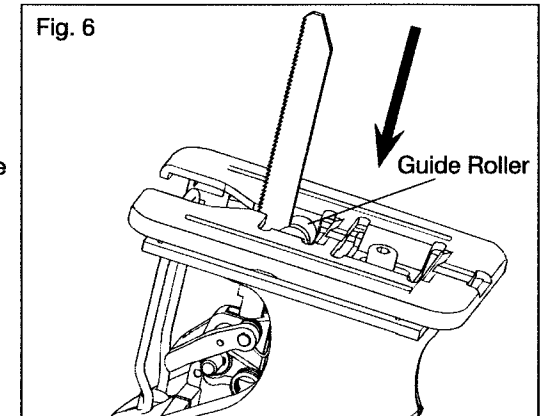
INSTALLING SAW BLADE (Fig. 6, Fig. 6a)

1. Remove the battery pack.
2. Turn the tool upside down, and insert the blade into the slot of the tool-less blade clamp until it locks into place. The blade must rest in the groove of the guide roller as indicated in Fig. 8.

To Slide Steel Base In or Out: (See Fig.6b)

The steel base slides in or out to accommodate various blade widths.

1. Remove the battery.
2. Loosen the Hexagon Socket Screw
3. Pull the steel base to desired position (the base moves a maximum of 1/4 inch forward or backward).
4. Tighten the Hexagon Socket Screw.



REMOVING SAW BLADE (Fig. 7)

1. Remove the battery pack.
2. Lift up the lever of the tool-less clamp, to remove the blade.

NOTE: Allow blade to cool after use. The blade can become dangerously hot.

BLADE SELECTION (Fig. 8)

Note: Only use multi-purpose blades or regular T and U shank jig saw blade. **DO NOT** use reciprocating saw blades. **This Multi-Saw does not accommodate reciprocating saw blades.**

Note: The multi-purpose blade is recommended for wood, plastic, drywall, and other soft material.

To obtain the best performance from the saw, it is important to select the correct blade for the particular application and type of material you wish to cut. By doing this, you will get a smoother, faster cut and prolong blade life.

Additional blades for this saw are available from your nearest Craftsman retailer.

STRAIGHT CUTTING

A straight cut can be made by clamping a piece of wood or a straightedge to the workpiece and guiding the edge of the saw against it. Make the cut from one direction only. **NEVER** cut halfway and then complete the cut from the opposite end.

CUTTING CURVES

Curved cuts can be made with the Multi-Saw by guiding the direction of the cut with pressure applied on the handle.

Fig. 7

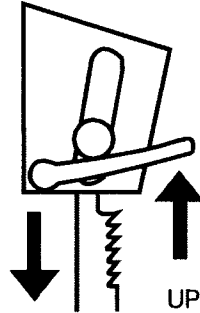
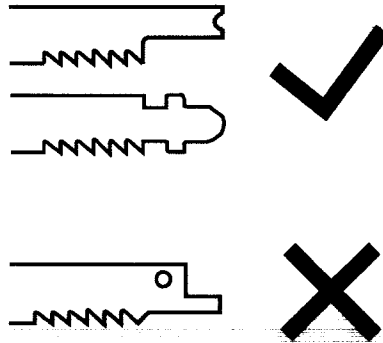
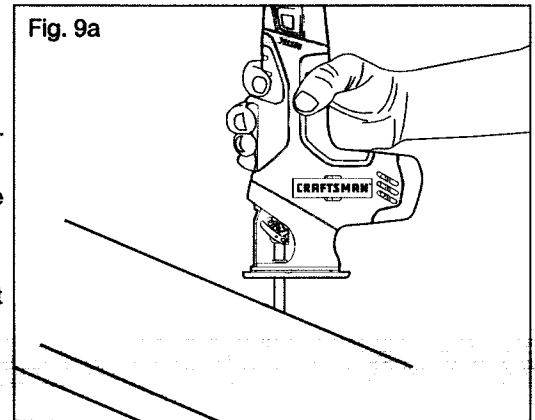
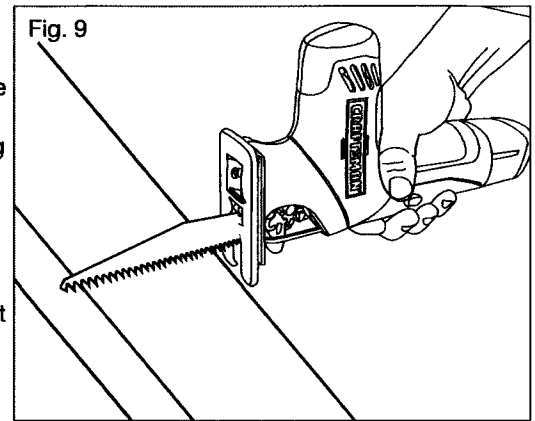


Fig. 8



GENERAL CUTTING (Fig. 9, Fig. 9a)

1. Remove the battery from the saw.
2. Make sure that the workpiece is firmly anchored: clamp the workpiece to prevent slipping or moving while cutting.
3. Use the appropriate type and size of blade for the workpiece material and size.
4. Slide the steel base in or out to accommodate various blade widths.
5. Check for clearance behind the workpiece so that the blade will not impact another surface.
6. Mark the line of cut, clearly.
7. Attach the battery to the saw.
8. Hold the saw firmly. Make sure to keep your hand on the insulated gripping areas only.
9. Depress the lock-off button and the trigger switch to start the saw and bring it to the maximum desired cutting speed before applying the blade to the workpiece.
10. Do not force the tool. Place the base firmly on the workpiece while cutting. Use only enough steady pressure on the blade to keep the saw cutting.
11. Reduce pressure as the blade comes to the end of the cut.
12. Allow the saw to come to a complete stop before removing the blade from the workpiece.
13. If sawing fiberglass, plaster, wallboard, or spackling compound, clean the saw motor vents frequently with a vacuum or compressed air. These materials are highly abrasive and may accelerate the wear on motor bearings and brushes.



NOTE: Always apply a steady firm "DOWN" pressure on the front and body of the saw as you cut. This will keep the saw blade from jumping out of the workpiece.

⚠ WARNING: Do not allow familiarity with the saw to make you careless.

⚠ WARNING: Always clamp and support workpiece securely. Always maintain proper control of saw. Failure to clamp and support workpiece and loss of control of saw could result in serious injury.

PLUNGE CUTTING (Fig. 10, Fig. 10a)

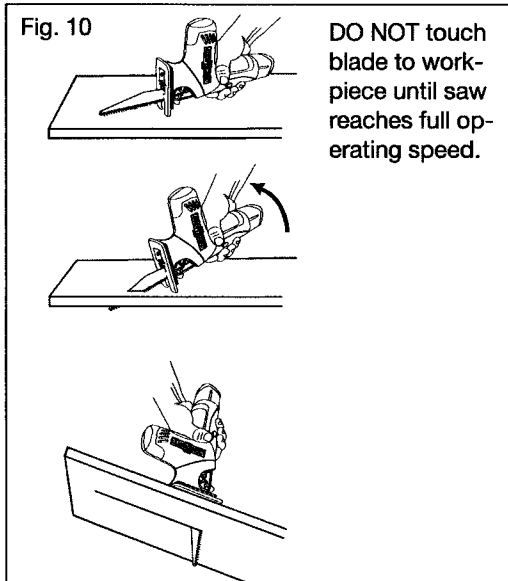
Your Craftsman Multi-Saw is ideal for plunge cutting directly into surfaces that cannot be cut from an edge, such as walls or floors. Fig.10 shows how to plunge cut.

1. Insert the blade into the tool. Hold the tool as shown in Fig.10, resting the edge of the steel guide plate on the workpiece.
2. With the blade just above the workpiece, switch on the tool, allow it to come to the desired speed. Using the edge of the steel base as a pivot, lower the blade into the workpiece as shown.
3. As the blade starts cutting, raise the handle of the tool slowly until the steel base rests firmly on the workpiece. Then guide the tool along your cutting line to make the desired cut.

⚠ WARNING: To reduce the risk of explosion, electric shock and property damage, always check the work area for hidden gas pipes, electrical wires or water pipes when making blind or plunge cuts

⚠ WARNING: To avoid loss of control and serious injury, make sure that the blade reaches maximum speed before touching it to the workpiece.

⚠ WARNING: Do not make plunge cuts in metal materials.



MAINTENANCE

⚠ WARNING: To avoid serious personal injury, always remove the battery pack from the tool when cleaning or performing any maintenance.

⚠ WARNING: When servicing, use only identical Craftsman replacement parts. Use of any other parts may create a hazard or cause product damage.

⚠ WARNING: It is not recommended to use compressed dry air as cleaning method of the drill. If cleaning with compressed air is the only method to apply, always wear safety goggles or safety glasses with side shields when using compressed air to clean the tool. If the operation is dusty, also wear a dust mask.

GENERAL MAINTENANCE

Avoid using solvents when cleaning plastic parts. Most plastics are susceptible to damage from various types of commercial solvents and may be damaged by their use. Use clean cloths to remove dirt, dust, oil, grease, etc.

⚠ WARNING: Do not at any time let brake fluids, gasoline, petroleum-based products, penetrating oils, etc. to come in contact with plastic parts. Chemicals can damage, weaken or destroy plastic which may result in serious personal injury.

⚠ WARNING: When servicing, use only identical Craftsman replacement parts. Use of any other parts may create a hazard or cause product damage. To ensure safety and reliability, all repairs should be performed by a qualified service technician at a Sears Service Center.

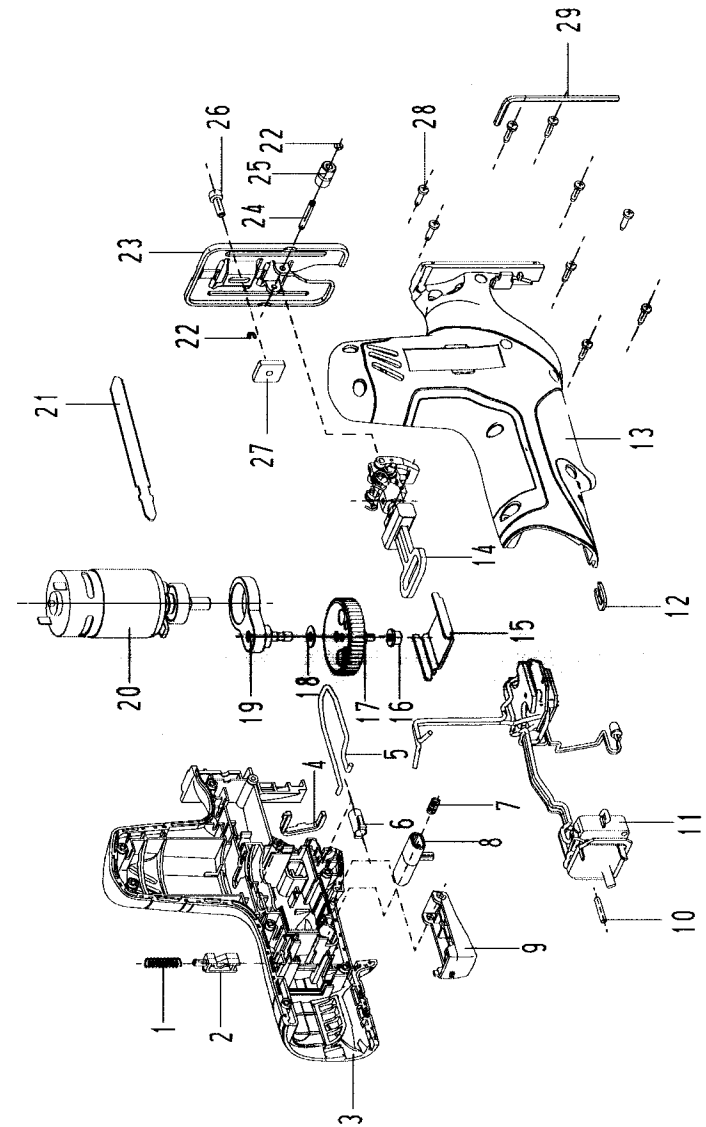
TROUBLESHOOTING

PROBLEM	CAUSE	SOLUTION
The trigger can not be depressed	The "lock-off" button is engaged	Depress the "lock-off" button
The blade can not be installed	Blade is incorrect	Use with "T" or "U" shank blade
The saw does not work	Battery is depleted	Charge the battery

PARTS LIST

12.0 VOLT LITHIUM-ION CORDLESS MULTI-SAW MODEL NUMBER 320.10004

The Model Number will be found on the Nameplate attached to the handle of the Multi-Saw. Always mention the Model Number when ordering parts for this tool.



PARTS LIST

12.0 VOLT LITHIUM-ION CORDLESS Multi-Saw MODEL NUMBER 320.10004

The Model Number will be found on the Nameplate attached to the handle of the Multi-Saw. Always mention the Model Number when ordering parts for this tool.

No	Part No	Part Name	QTY
1	3660075000	Spring	1
2	3124158000	Sliding Block	1
3	320689000	Left Housing	1
4	3124160000	Clamp	1
5	3650099000	Wire Guard	1
6	3123507000	Transparent Cap	1
7	3660030000	Spring	1
8	3124161000	Switch Button	1
9	3124159000	Switch Trigger	1
10	5670039000	Pin	1
11	4890479000	PCB Assembly	1
12	3704254000	Handle Hoop	1
13	3320690000	Right Housing	1
14	2822511000	Quick Clamp Assy	1
15	3704238000	Aligning Plate	1
16	3520038000	Crank Roller	1
17	2822529000	Gear Set	1
18	3700159000	Gasket	1
19	2822530000	Bearing Support Set	1
20	2822531000	Motor & Gear Set	1
21	3810049000	Jigsaw Blade	1
22	5660137000	E Ring	2
23	3704258000	Base Plate	1

No	Part No	Part Name	QTY
24	5670221000	Guiding Roller Pin	1
25	3551171000	Guiding Roller	1
26	5620011000	Hexagon Socket Screw	1
27	3700164000	Square Nut	1
28	5610012000	Tapping Screw	9
29	5680019000	Hexagon Wrench	1

NOTES

NOTES

Get it fixed at your home or ours!

Your Home

For expert troubleshooting and home solutions advice:

manage my home

www.managemyhome.com

For repair – **in your home** – of **all major brand appliances, lawn and garden equipment, or heating and cooling systems, no matter who made it, no matter who sold it!**

For the replacement parts, accessories and owner's manuals that you need to **do-it-yourself.**

For Sears professional installation of **home appliances and items like garage door openers and water heaters.**

1-800-4-MY-HOME®

(1-800-469-4663)

www.sears.com

Call anytime, day or night

(U.S.A. and Canada)

www.sears.ca

Our Home

For repair of carry-in items like vacuums, lawn equipment, and electronics, call anytime for the location of the nearest

Sears Parts & Repair Service Center

1-800-488-1222 (U.S.A.)

www.sears.com

1-800-469-4663 (Canada)

www.sears.ca

To purchase a protection agreement on a product serviced by Sears:

1-800-827-6655 (U.S.A.)

1-800-361-6665 (Canada)

Para pedir servicio de reparación a domicilio, y para ordenar piezas:

1-888-SU-HOGAR®

(1-888-784-6427)

Au Canada pour service en français:

1-800-LE-FOYER^{MC}

(1-800-533-6937)

www.sears.ca

Sears

© Sears Brands, LLC

® Registered Trademark / TM Trademark / SM Service Mark of Sears Brands, LLC

® Marca Registrada / TM Marca de Fábrica / SM Marca de Servicio de Sears Brands, LLC

^{MC} Marque de commerce / ^{MD} Marque déposée de Sears Brands, LLC