

RV Cooking Appliances Installation Instructions

(Appliance is not approved for marine use)

WARNING

FOR YOUR SAFETY IF YOU SMELL GAS:

1. Open windows and evacuate all persons from the vehicle.
2. Shut off the gas supply at the gas container or source.
3. Extinguish any open flame.
4. Do not touch electrical switches or use any phone or radio in the vehicle.
5. Do not start the vehicle's engine or electric generator.
6. Immediately call your gas supplier or qualified service technician for repairs.
7. Do not turn on the gas supply until the gas leak(s) has been repaired.

CONTENTS

- SAFETY INSTRUCTIONS 3 to 5
- INSTALLATION INSTRUCTIONS .. 6 to 9
 - Cooktop
 - Range

FOR YOUR SAFETY

Do not store or use gasoline or other flammable vapors and liquids in the vicinity of this or any other appliance.

WARNING

Improper installation, adjustment, alteration, service, or maintenance can cause injury or property damage. Refer to this manual. For assistance or additional information consult a qualified installer, service agency, manufacturer (dealer), or the gas supplier.

INSTALLER Please leave this manual with the appliance.

CONSUMER To save you time, energy and money, read and keep this manual for future reference.

FOR CUSTOMER ASSISTANCE CALL: 1-800-544-5513

Thank You . . . for purchasing our cooking appliance. To help you obtain the maximum in cooking satisfaction, we offer these suggestions:

- ☞ Review all safety and caution instructions.
- ☞ Review the Troubleshooting Chart on pages 22 to 24 if service becomes necessary.
- ☞ Include the model and serial numbers of your appliance when requesting service.
 - Proof of purchase such as sales receipt will be needed for warranty service.
- ☞ You can contact us at: 1-800-544-5513 or write to us at:

Maytag Appliances Sales Company
Attn: CAIRSM Center
P. O. Box 2370
Cleveland, TN 37320-2370

In our continuing effort to improve the quality and performance of our cooking appliances, it may be necessary to make changes to the appliance without revising this manual.

TABLE OF CONTENTS

IMPORTANT SAFETY INSTRUCTIONS 3-5

INSTALLATION INSTRUCTIONS 6-9

Note to installer 6

Rating plate location 6

RV range 7

RV cooktop 8-9

Read all instructions before using this appliance.

The following instructions are based on safety considerations and must be strictly followed to eliminate the potential risks of fire, electric shock, or personal injury.

Have your appliance installed and properly grounded by a qualified installer according to the installation instructions. Have the installer show you the location of the gas shut off valve and how to shut it off in an emergency.

Always disconnect power to appliance before servicing.

To ensure proper operation and avoid possible injury or damage to unit do not attempt to adjust, repair, service, or replace any part of your appliance unless it is specifically recommended in this book. All other servicing should be referred to a qualified installer or servicer.

TO PREVENT FIRE OR SMOKE DAMAGE

Be sure all packing materials are removed from the appliance before operating it.

Keep area around appliance clear and free from combustible materials, gasoline, and other flammable vapors and materials.

If appliance is installed near a window, proper precautions should be taken to prevent curtains from blowing over burners.

Never leave any items unattended on the cooktop. The hot air from the vent may ignite flammable items and may increase pressure in closed containers which may cause them to burst.

Many aerosol-type spray cans are **EXPLOSIVE** when exposed to heat and may be highly flammable. Avoid their use or storage near an appliance.

Many plastics are vulnerable to heat. Keep plastics away from parts of the appliance that may become warm or hot. Do not leave plastic items on the cooktop as they may melt or soften if left too close to the vent or a lighted surface burner.

To eliminate the hazard of reaching over hot surface burners, cabinet storage should not be provided directly above a unit. If such storage is provided, it should be limited to items which are used infrequently and which are safely stored in an area subjected to heat from an appliance. Temperatures may be unsafe for some items, such as volatile liquids, cleaners or aerosol sprays.

IN CASE OF FIRE

Turn off appliance and ventilating hood to avoid spreading the flame. Extinguish flame then turn on hood to remove smoke and odor.

Use dry chemical or foam-type extinguisher or baking soda to smother fire or flame. Never use water on a grease fire.

If fire is in the oven or broiler pan, smother by closing oven door.

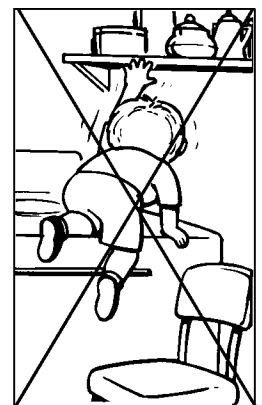
If fire is in a pan on the surface burner, cover pan. Never attempt to pick up or move a flaming pan.

CHILD SAFETY

Never leave children alone or unsupervised near the appliance when it is in use or is still hot. Children should never be allowed to sit or stand on any part of the appliance.

Children must be taught that the appliance and utensils in it can be hot. Let hot utensils cool in a safe place, out of reach of small children. Children should be taught that an appliance is not a toy. Children should not be allowed to play with controls or other parts of the unit.

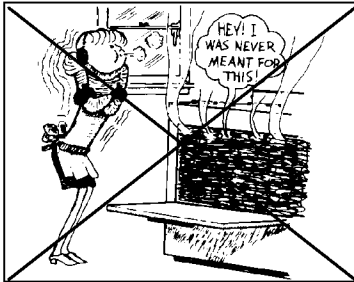
CAUTION: Never store items of interest to children in cabinets above an appliance or on the backguard of a range. Children climbing on the appliance or on the appliance door to reach items could be seriously injured.



ABOUT YOUR APPLIANCE

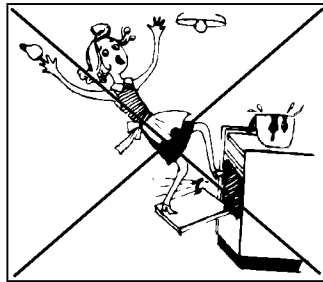
To prevent potential hazard to the user and damage to the appliance, never use appliance as a space heater to heat or warm a room. Also, do not use the cooktop or oven as a storage area for food or cooking utensils.

Do not obstruct the flow of combustion and ventilation air by blocking the oven vent or air intakes. Restriction of air flow to the burner prevents proper performance and increases carbon monoxide emission to unsafe levels.



Avoid touching oven vent area while oven is on and for several minutes after oven is turned off. Some parts of the vent and surrounding area become hot enough to cause burns. After oven is turned off, do not touch the oven vent or surrounding areas until they have had sufficient time to cool.

CAUTION: Never use an appliance as a step stool to cabinets above. Misuse of appliance doors or drawers, such as stepping, leaning or sitting on the door or drawer, may result in possible tipping of the appliance, breakage of door, and serious injuries.



Do not touch a hot oven light bulb with a damp cloth as the bulb could break. Should the bulb break, disconnect power to the appliance before removing bulb to avoid electrical shock.

PREPARED FOOD WARNING

Follow food manufacturer's instructions. If a plastic frozen food container and/or its cover distorts, warps, or is otherwise damaged during cooking, immediately discard the food and its container. The food could be contaminated.

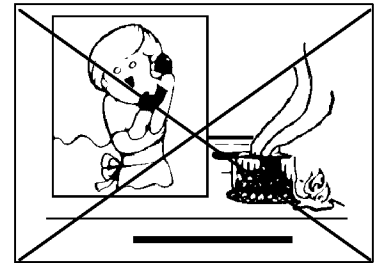
COOKING SAFETY

Always place a pan on a surface burner before turning it on. Be sure you know which knob controls which surface burner. Make sure the correct burner is turned on and that the burner has ignited. When cooking is completed, turn burner off before removing pan to prevent exposure to burner flame.

Always adjust surface burner flame so that it does not extend beyond the bottom edge of the pan. An excessive flame is hazardous, wastes energy and may damage the appliance, pan or cabinets above the appliance.

Never leave a surface cooking operation unattended

especially when using a high heat setting or when deep fat frying. Boilovers cause smoking and greasy spillovers may ignite. Clean up greasy spills as soon as possible. Do not use high heat for extended cooking operations.



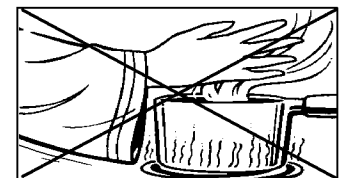
Never heat an unopened container on the surface burner or in the oven. Pressure build-up may cause container to burst resulting in serious personal injury or damage to the appliance.

Use dry, sturdy pot holders. Damp pot holders may cause burns from steam. Dish towels or other substitutes should never be used as pot holders because they can trail across hot surface burners and ignite or get caught on appliance parts.

Always let quantities of hot fat used for deep fat frying cool before attempting to move or handle.

Do not let cooking grease or other flammable materials accumulate in or near the appliance, hood or vent fan. Clean hood frequently to prevent grease from accumulating on hood or filter. When flaming foods under the hood, turn the fan on.

Use caution when wearing garments made of flammable material to avoid clothing fires. Loose fitting or long hanging-sleeved apparel should not be worn while cooking. Clothing may ignite or catch utensil handles.



Always place oven racks in the desired positions while oven is cool. Slide oven rack out to add or remove food, using dry sturdy pot holders. Always avoid reaching into the oven to add or remove food. If a rack must be moved while hot, use a dry pot holder. Always turn the oven off at the end of cooking.

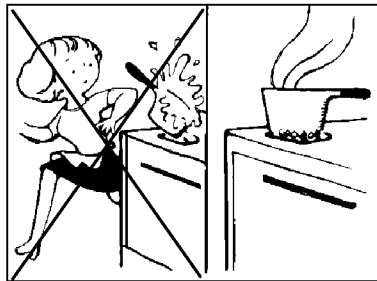
Use care when opening the oven door. Let hot air or steam escape before removing or replacing food.

UTENSIL SAFETY

Use pans with flat bottoms and handles that are easily grasped and stay cool. Avoid using unstable, warped, easily tipped or loose handled pans. Pans that are heavy to move when filled with food may also be hazardous.

Be sure utensil is large enough to properly contain food and avoid boilovers. Pan size is particularly important in deep fat frying. Be sure pan will accommodate the volume of food that is to be added as well as the bubble action of fat.

To minimize burns, ignition of flammable materials and spillage due to unintentional contact with the utensil, do not extend handles over adjacent surface burners. Always turn pan handles toward the side or back of the appliance, not out into the room where they are easily hit or reached by small children.



Never let a pan boil dry as this could damage the utensil and the appliance.

Follow the manufacturer's directions when using oven cooking bags.

Only certain types of glass, glass/ceramic, ceramic, or glazed utensils are suitable for cooktop or oven usage without breaking due to the sudden change in temperature.

This appliance has been tested for safe performance using conventional cookware. Do not use any devices or accessories that are not specifically recommended in this manual. Do not use eyelid covers for the surface units, stove top grills, or add-on oven convection systems. The use of devices or accessories that are not expressly recommended in this manual can create serious safety hazards, result in performance problems, and reduce the life of the components of the appliance.

CLEANING SAFETY

Turn off all controls and wait for appliance parts to cool before touching or cleaning them. Do not touch the burner grates or surrounding areas until they have had sufficient time to cool.

Clean appliance with caution. Use care to avoid steam burns if a wet sponge or cloth is used to wipe spills on a hot surface. Some cleaners can produce noxious fumes if applied to a hot surface.

IMPORTANT SAFETY NOTICE AND WARNING

The California Safe Drinking Water and Toxic Enforcement Act of 1986 (Proposition 65) requires the Governor of California to publish a list of substances known to the State of California to cause cancer or reproductive harm, and requires businesses to warn customers of potential exposures to such substances.

Users of this appliance are hereby warned that the burning of gas can result in low-level exposure to some of the listed substances, including benzene, formaldehyde and soot, due primarily to the incomplete combustion of natural gas or liquid petroleum (LP) fuels. Properly adjusted burners will minimize incomplete combustion. Exposure to these substances can also be minimized by properly venting the burners to the outdoors by opening the windows and/or door in the room where the appliance is located.

SAVE THESE INSTRUCTIONS

6

INSTALLATION INSTRUCTIONS

Your appliance may not be equipped with some of the features referred to in this manual.

SPECIAL WARNING

Only qualified personnel should install or service this appliance. Read the important Safety Instructions on pages 3 to 5 before using the appliance.

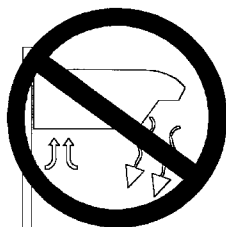
NOTE TO INSTALLER

Always check with local and state codes before installation. Requirements beyond those as shown may affect these instructions, for which the manufacturer is not responsible.

The installation of appliances designed for recreational vehicles must conform with state or provincial codes, or in the absence of such codes, with the latest edition of the Standard for Recreational Vehicles ANSI/NFPA No. 501C.

CUL appliance must be installed in accordance with CAN/CSA Z240.4 Series Standards, "Gas equipped recreational vehicles and mobile homes" and/or local codes having jurisdiction. Minimum clearance from countertop to combustible ceiling as approved by U.L. is 24" CUL is 19".

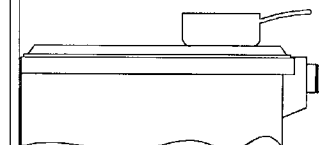
WARNING



THIS PRODUCT SHOULD NOT BE INSTALLED BELOW A VENTILATION TYPE HOOD SYSTEM THAT DIRECTS AIR IN A DOWNWARD DIRECTION.

(SEE FIGURE)

THESE SYSTEMS MAY CAUSE IGNITION AND COMBUSTION PROBLEMS WITH THE GAS BURNERS RESULTING IN PERSONAL INJURY AND MAY AFFECT THE COOKING PERFORMANCE OF THE UNIT.



ART # 9215-252

NOTE: THE FIGURE MAY NOT ACCURATELY REPRESENT YOUR RANGE OR COOKTOP; HOWEVER, THIS WARNING APPLIES TO ALL GAS COOKING PRODUCTS.

RATING PLATE LOCATION

The rating plate is located under the cooktop. The following information is listed on this plate.

1. The model and serial numbers.
2. The spec code number.

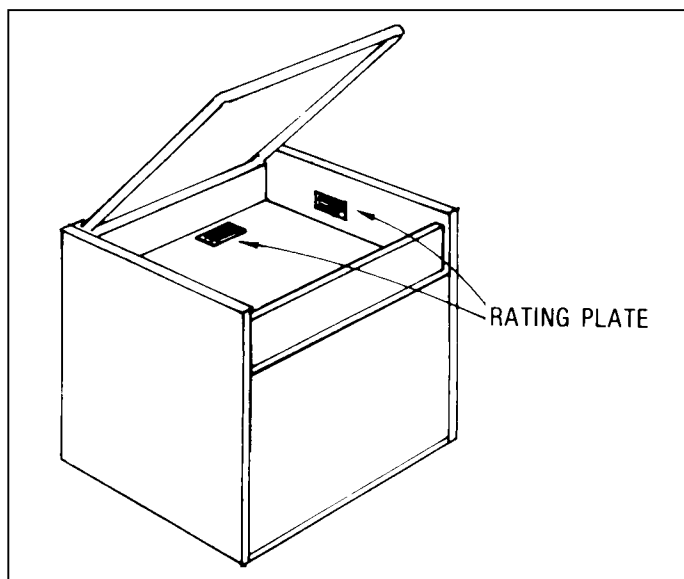
When inquiring about your appliance be sure to include these numbers with your inquiry.

For your convenience please record these numbers in the space provided below.

1. Model number: _____

2. Serial number: _____

3. Spec code number: _____



INSTALLATION INSTRUCTIONS

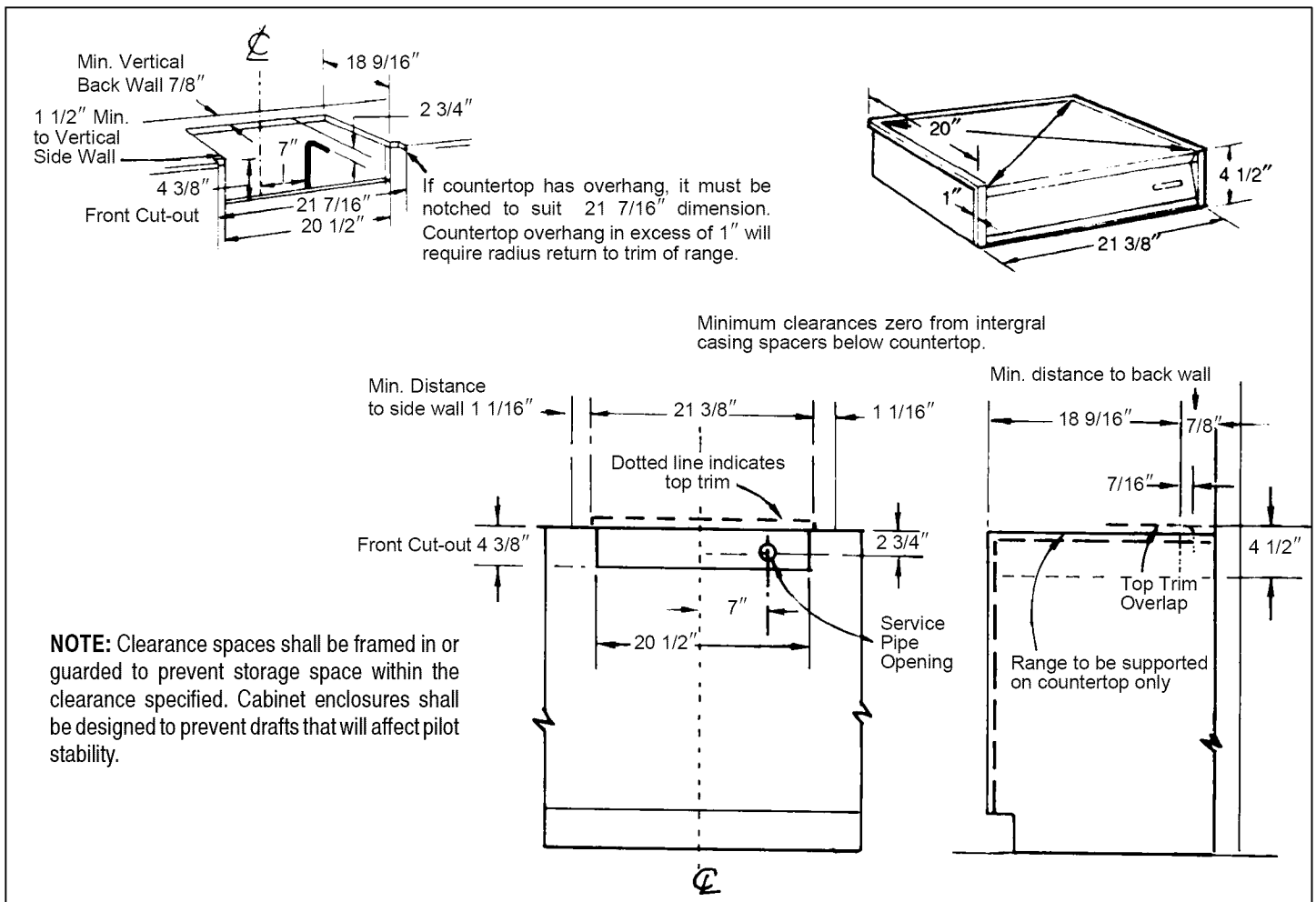
7

For RV Cooktops

INSTALLATION

1. Cut opening in accordance with diagram shown below.
2. Align the 3/8" gas supply line with the hole provided in burner box so it will slide into place when the range is placed into the opening.
3. Place the range in position and fasten down with four wood screws through holes provided in the side trim.
4. Connect gas supply line.
5. Check all gas connections for leaks with non corrosive leak detection fluid. **Do not use open flames for checking gas leaks.**
6. **CAUTION: LIQUIFIED PETROLEUM (L.P.)/PROPANE GAS SUPPLY LINE MUST HAVE A L.P. GAS PRESSURE REGULATOR. INLET PRESSURE TO THIS APPLIANCE SHOULD BE REDUCED TO A MAXIMUM OF 14 INCHES WATER COLUMN (0.5 P.S.I.) INLET PRESSURES IN EXCESS OF 0.5 P.S.I. CAN DAMAGE THE APPLIANCE PRESSURE REGULATOR AND OTHER GAS COMPONENTS IN THIS APPLIANCE AND CAN RESULT IN A GAS LEAK.**

WARNING: Porcelain enamel is glass which has been fused to metal. It is thoroughly inspected and will give good service if carefully handled, but it is breakable and cannot be guaranteed. Like all glass or porcelain articles, we cannot replace enamel parts that are damaged after delivery to carriers except at customer's expense.

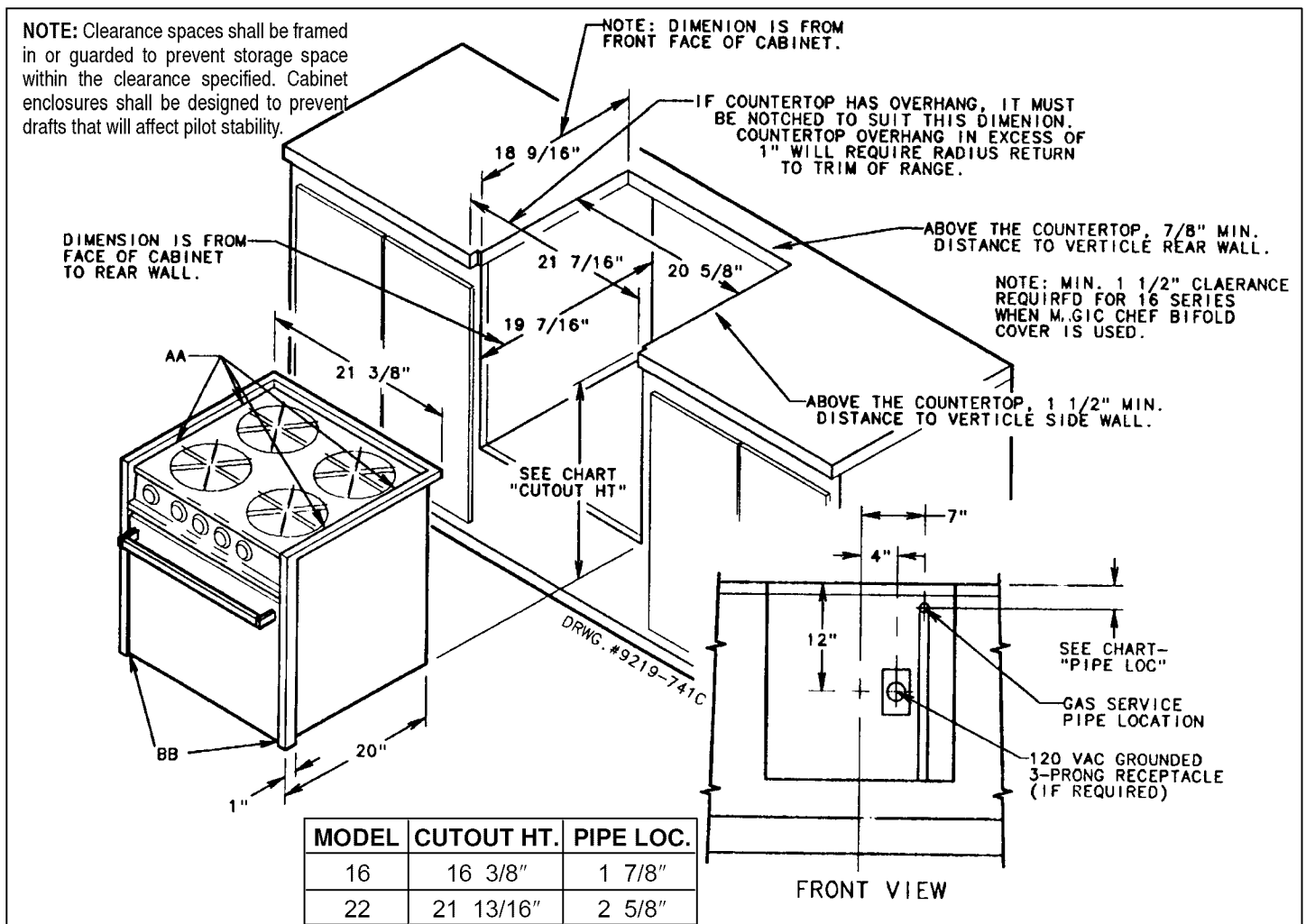


For RV Ranges

INSTALLATION

1. Cut opening as shown below (range can be suspended from top flange; no other support is necessary.)
2. Range equipped with a 120 volt light in the oven will require the installation of a 120V three prong grounded receptacle directly behind the range (for correct location see sketch below.) On range with BX cable and marked for 12 volt DC power supply connect 12 volt DC power to the tagged wires.
3. Place range in opening and fasten in place. Six screw holes that are provided are located at points AA and BB. A minimum of four screws must be used to fasten range. Recreational vehicle manufacturers may use appropriate holes as found necessary to suit the application. Use No. 8 flat head wood screws.
4. Make gas connections and check for leaks with non corrosive leak detection fluid. **Do not check for leaks with open flame.**
5. **CAUTION: LIQUIFIED PETROLEUM (L.P.)/PROPANE GAS SUPPLY LINE MUST HAVE A L.P. GAS PRESSURE REGULATOR. INLET PRESSURE TO THIS APPLIANCE SHOULD BE REDUCED TO A MAXIMUM OF 14 INCHES WATER COLUMN (0.5 P.S.I.) INLET PRESSURES IN EXCESS OF 0.5 P.S.I. CAN DAMAGE THE APPLIANCE PRESSURE REGULATOR AND OTHER GAS COMPONENTS IN THIS APPLIANCE AND CAN RESULT IN A GAS LEAK.**

WARNING: Porcelain enamel is glass which has been fused to metal. It is thoroughly inspected and will give good service if carefully handled, but it is breakable and cannot be guaranteed. Like all glass or porcelain articles, we cannot replace enamel parts that are damaged after delivery to carriers except at customer's expense.



OVEN SECTION

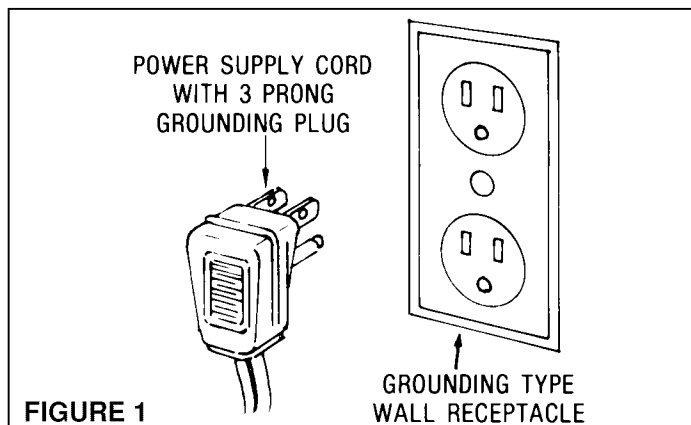
1. The oven thermostat in this range will enable you to turn off the Oven Constant Pilot by simply turning the thermostat dial to the "OFF" position. To light oven pilot, push the Control knob and rotate counter clockwise to the "OVEN PILOT ON" position. Push and hold the control knob while lighting the oven standing pilot.
2. The air shutter has been adjusted at the factory, however, it may require some additional adjustment when used at high altitudes.
3. To adjust, open the air shutter to the full open position where you will have a blowing condition. Begin closing the shutter slowly, when you reach the correct adjustment the blowing will stop and the burner should have a sharp blue flame approximately 3 inches long.
4. There is no oven pilot adjustment on the thermostat, the control has been factory preset for use on LP gas, no field adjustment necessary.

RECOMMENDED GROUNDING METHOD

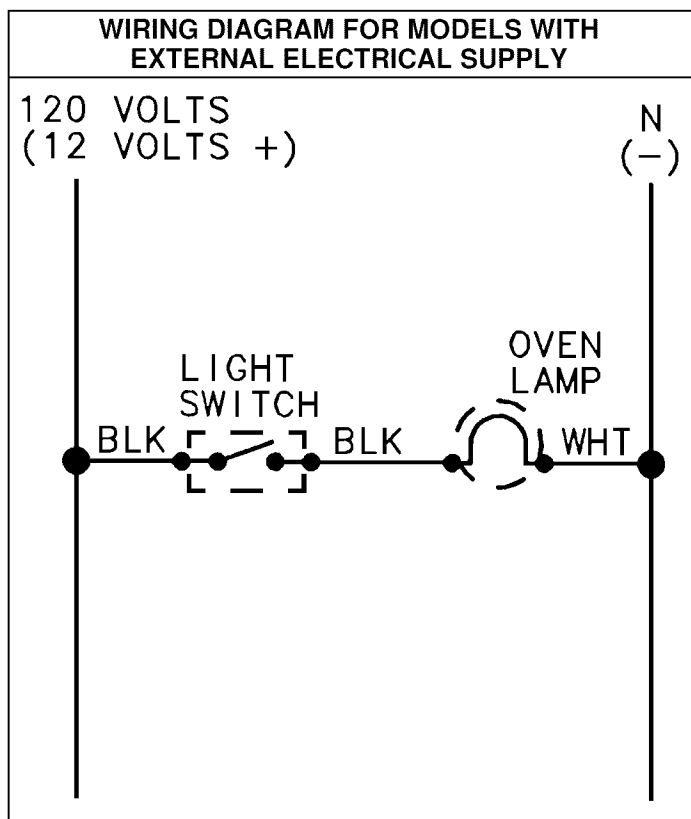
ELECTRICAL REQUIREMENTS AND GROUNDING INSTRUCTIONS FOR 120V 60HZ AC, if equipped.

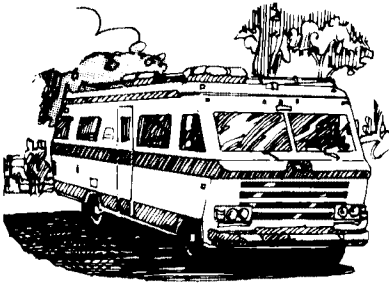
Observe all governing codes and ordinances. All ranges requiring electrical supply must be grounded.

If this appliance is factory equipped with a power supply cord it has a three-pronged grounding plug. It must be plugged into a mating grounding type receptacle in accordance with National Electrical Code and applicable local codes and ordinances. If the circuit does not have a grounding type receptacle, it is the responsibility and obligation of the customer to change the existing receptacle to a proper grounded receptacle in accordance with the National Electrical Code and applicable local codes and ordinances. **THE THIRD GROUNDING PRONG SHOULD NOT, UNDER ANY CIRCUMSTANCES, BE CUT OR REMOVED** as it provides protection against shock hazard.



NOTE: A unit having an external electrical supply must be electrically grounded in accordance with National Electric Code. ANSI/NFPA No. 70-1990. In Canada CAN/CSA - C22.2 Electrical Code.





Electrodomésticos de cocina para RV

Instrucciones de instalación

(El electrodoméstico no está aprobado para uso marítimo)

CONTENIDO

- INSTRUCCIONES DE SEGURIDAD ... 3 a 5
- INSTRUCCIONES DE INSTALACIÓN . 6 a 9
 - Superficie para cocinar
 - Estufa



ADVERTENCIA

POR SU SEGURIDAD SI HUELE A GAS:

1. Abra las ventanas y evacue a todas las personas del vehículo.
2. Cierre el suministro de gas en el tanque o la fuente de gas.
3. Apague las llamas que estén encendidas.
4. No toque los interruptores eléctricos ni use el teléfono o la radio del vehículo.
5. No encienda el motor del vehículo ni el generador eléctrico.
6. Llame inmediatamente a la compañía de gas o a un técnico calificado de servicio para la reparación.
7. No abra el suministro de gas hasta que se hayan reparado las fugas de gas.

POR SU SEGURIDAD

No use ni almacene gasolina u otros líquidos o vapores inflamables cerca de éste u otros electrodomésticos.



ADVERTENCIA

La instalación, el ajuste, la alteración, el servicio o el mantenimiento incorrectos pueden causar lesiones personales o daños materiales. Consulte este manual. Para obtener ayuda o más información, consulte a un instalador calificado, una agencia de servicio, al fabricante (distribuidor) o a la compañía de gas.

INSTALADOR

Deje este manual con el electrodoméstico.

CONSUMIDOR

Para ahorrarle tiempo, energía y dinero, lea y conserve este manual para consultas futuras.

PARA OBTENER AYUDA AL CLIENTE LLAME AL: 1-800-544-5513

2 ACERCA DEL ELECTRODOMÉSTICO DEL RV (VEHÍCULO DE RECREACIÓN)

Gracias . . . por su compra del electrodoméstico.

Para ayudarle a obtener la máxima satisfacción al cocinar, le ofrecemos estas sugerencias:

- ☞ Revise todas las instrucciones de seguridad y precaución.
- ☞ Revise la Tabla de diagnóstico de averías en las páginas 22 a la 24 si necesita recibir servicio.
- ☞ Incluya el número de serie y modelo de su electrodoméstico cuando solicite servicio.
 - Se necesitará prueba de compra tal como el recibo de para recibir servicio bajo la garantía.
- ☞ Se puede comunicar con nosotros al: 1-800-544-5513 o escríbanos a:
 - Maytag Appliances Sales Company
 - Attn: CAIRSM Center
 - P. O. Box 2370
 - Cleveland, TN 37320-2370

En nuestro esfuerzo continuo para mejorar la calidad y el rendimiento de nuestros electrodomésticos para cocinar, podría ser necesario tener que realizar cambios al electrodoméstico sin revisar este manual.

CONTENIDO

INSTRUCCIONES IMPORTANTES DE SEGURIDAD	3-5
INSTRUCCIONES DE INSTALACIÓN	6-9
Aviso para el instalador	6
Ubicación de la placa de clasificación	6
Estufa del RV	7
Superficie para cocinar del RV	8-9

Lea todas las instrucciones antes de usar este electrodoméstico.

Las siguientes instrucciones están basadas en consideraciones de seguridad y deben seguirse estrictamente para eliminar los riesgos potenciales de incendios, descargas eléctricas o lesiones personales.

Haga que un instalador calificado instale y conecte a tierra el electrodoméstico de acuerdo con las instrucciones de instalación. Pida al instalador que le muestre la ubicación de la válvula de cierre y cómo cerrarla en caso de emergencia.

Siempre desconecte la energía del electrodoméstico antes de darle servicio.

Para garantizar la operación adecuada y evitar posibles lesiones o daños a la unidad no trate de ajustar, reparar, dar servicio ni reemplazar ninguna pieza del electrodoméstico a menos que se recomiende específicamente en este libro. Todo el demás servicio debe transferirse a un instalador o técnico calificado de servicio.

PARA PREVENIR INCENDIOS O DAÑOS DEBIDO AL HUMO

Asegúrese de sacar todos los materiales de embalaje del electrodoméstico antes de operarlo.

Mantenga limpia el área alrededor del electrodoméstico y libre de materiales combustibles, gasolina y otros materiales y vapores inflamables.

Si el electrodoméstico se instala cerca de una ventana, deben tomarse las medidas de precaución debidas para evitar que las cortinas se vuelen sobre los quemadores.

Nunca deje ningún artículo desatendido en la superficie para cocinar. El aire caliente de la ventila podría encender los artículos inflamables y podría incrementar la presión en los recipientes cerrados lo que podría causar que explotaran.

Muchas latas de tipo aerosol son **EXPLOSIVAS** cuando están expuestas al calor y pueden ser altamente inflamables. Evite usarlas o almacenarlas cerca de un electrodoméstico.

Muchos plásticos son vulnerables al calor. Mantenga los plásticos alejados de las piezas del electrodoméstico que podrían calentarse. No deje objetos de plástico sobre la superficie para cocinar ya que podrían derretirse o suavizarse si se dejan demasiado cerca de la ventila o de un quemador encendido de la superficie.

Para eliminar el riesgo de atravesarse por encima de los quemadores calientes de la superficie, no debe proporcionarse almacenaje directamente encima de la unidad. Si se proporciona dicho almacenaje, debe estar limitado a artículos que no se usen frecuentemente y que estén seguros en un área que está sujeta al calor del electrodoméstico. Las temperaturas pueden ser inseguras para algunos artículos, como líquidos volátiles, limpiadores o latas de aerosol.

EN CASO DE INCENDIO

Apague el electrodoméstico y la campana de ventilación para evitar que se propaguen las llamas. Apague las llamas y encienda la campana para eliminar el humo y el mal olor.

Use un extintor de tipo de espuma o de sustancias químicas secas o bicarbonato de sodio para apagar el incendio o las llamas. Nunca use agua en un incendio de grasa.

Si el incendio está en el horno o en la bandeja del asador, apáguelo cerrando la puerta del horno.

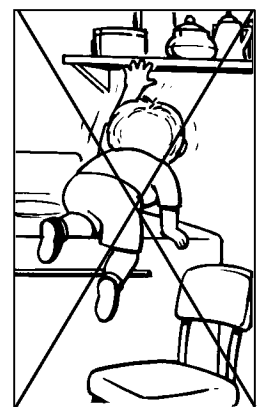
Si el incendio está en una cacerola encima del quemador de la superficie, tape la cacerola. Nunca trate de levantar o mover una cacerola en llamas.

SEGURIDAD PARA LOS NIÑOS

Nunca deje solos ni desatendidos a los niños cerca del electrodoméstico cuando se esté usando o si continúa caliente. Nunca debe permitírseles a los niños sentarse ni pararse sobre ninguna parte del electrodoméstico.

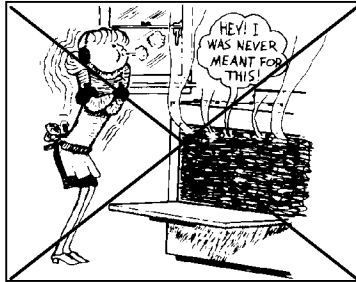
Debe enseñárseles a los niños que el electrodoméstico y sus utensilios pueden estar calientes. Deje que los utensilios calientes se enfríen en un lugar seguro, fuera del alcance de los niños pequeños. Debe enseñárseles a los niños que un electrodoméstico no es un juguete. No permita a los niños jugar con los controles ni otras partes de la unidad.

PRECAUCIÓN: Nunca almacene artículos que les llame la atención a los niños en los gabinetes ubicados encima del electrodoméstico ni en el protector posterior de una estufa. Los niños que se suben en el electrodoméstico o en la puerta del mismo para alcanzar objetos pueden resultar gravemente heridos.



ACERCA DEL ELECTRODOMÉSTICO

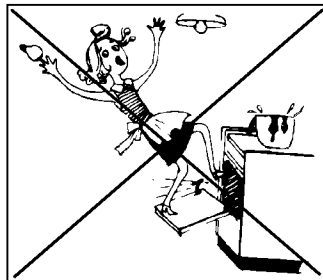
Para evitar peligros potenciales al usuario y daños al electrodoméstico, nunca use el electrodoméstico como calentador para calentar una habitación. Tampoco use la superficie para cocinar o el horno como área de almacenamiento para alimentos o utensilios de cocina.



No obstruya el flujo de aire de combustión y ventilación bloqueando la ventila ni las entradas de aire del horno. La restricción del flujo de aire a los quemadores evita el desempeño correcto y aumenta la emisión de monóxido de carbón a niveles inseguros.

Evite tocar el área de ventilación del horno mientras el horno está encendido y por varios minutos después de apagarlo. Algunas piezas de la ventila y del área de alrededor se calientan lo suficiente para causar quemaduras. Después de que el horno esté apagado, no toque la ventila del horno ni las áreas de alrededor hasta que pase el suficiente tiempo para que se enfríen.

PRECAUCIÓN: Nunca use ningún electrodoméstico como banco para alcanzar el gabinete superior. El mal uso de las puertas o los cajones del electrodoméstico, como pararse, apoyarse o sentarse en ellos, podría causar el posible volteo del electrodoméstico, la quebradura de la puerta y lesiones graves.



No toque el foco de cuando el horno esté caliente con un paño húmedo ya que el foco podría quebrarse. En caso de que se quebrara, desconecte la energía del electrodoméstico antes de quitar el foco para evitar descargas eléctricas.

ADVERTENCIA DE LOS ALIMENTOS PREPARADOS PREVIAMENTE

Siga las instrucciones del fabricante del alimento. Si un recipiente de plástico de alimentos congelados y/o su tapa se deforma, retuerce o se daña en algún otro aspecto durante la cocción, deseche inmediatamente el alimento y el recipiente. Los alimentos podrían estar contaminados.

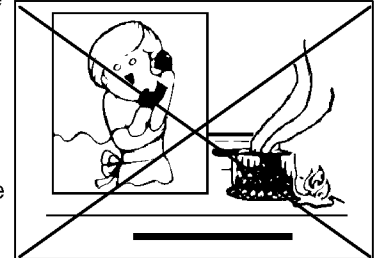
SEGURIDAD EN LA COCCIÓN

Siempre coloque una cacerola sobre un quemador de la superficie antes de encenderlo. Asegúrese de saber cuál perilla controla cada quemador de la superficie para cocinar. Asegúrese de que el quemador correcto esté encendido y de que tenga llama. Cuando termine de cocinar, apague el quemador antes de quitar la cacerola para evitar la exposición a la llama del quemador.

Siempre ajuste la llama del quemador de la superficie para cocinar de manera que no se extienda por fuera del borde de la base de la cacerola. Una llama excesiva es peligrosa, desperdicia energía y podría dañar el electrodoméstico, la cacerola o el gabinete encima del electrodoméstico.

Nunca deje desatendida la superficie para cocinar funcionando especialmente

cuando use un ajuste de calor alto o cuando esté friendo en una cacerola honda. Los derrames generan humo y las salpicaduras de aceite podrían incendiarse. Limpie las salpicaduras de grasa tan pronto como sea posible. No use calor alto para operaciones de cocción prolongada.



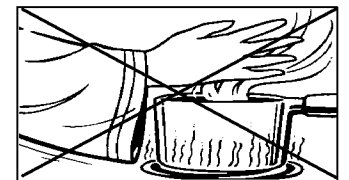
Nunca caliente un recipiente sin abrir sobre el quemador de la superficie para cocinar ni en el horno. La presión que se acumula podría causar que el recipiente explotara lo que causaría lesiones graves o daños al electrodoméstico.

Use protectores aisladores resistentes y secos. Los protectores aisladores húmedos podrían causar quemaduras con el vapor. Nunca deben usarse toallas de cocina ni otros substitutos en lugar de protectores aisladores porque pueden meterse en los quemadores de la superficie e incendiarse o atorarse en piezas del electrodoméstico.

Siempre deje que se enfríe la grasa cuando sea mucha cantidad antes de tratar de moverla o manejarla.

No deje que se acumule la grasa de cocina ni otros materiales inflamables en el electrodoméstico ni cerca de él, la campana ni el ventilador. Limpie frecuentemente la campana para evitar que se acumule la grasa en la campana o en el filtro. Cuando flamee alimentos debajo de la campana, encienda el ventilador.

Tenga cuidado cuando vista prendas de materiales inflamables para evitar incendios. No debe vestirse ropa holgada ni de mangas colgantes mientras cocina. La ropa puede incendiarse o atorarse con las asas de los utensilios.



Siempre coloque las parrillas el horno en las posiciones deseadas mientras el horno está frío. Deslice la parrilla del horno hacia afuera para añadir o sacar alimentos, usando protectores aisladores secos y resistentes. Siempre evite meter la mano en el horno para añadir o sacar alimentos. Si tiene que moverse una parrilla cuando está caliente, use un protector aislador seco. Siempre apague el horno cuando termine de cocinar.

Tenga cuidado cuando abra la puerta del horno. Deje que se escape el aire caliente o el vapor antes de sacar o volver a colocar alimentos.

INSTRUCCIONES IMPORTANTES DE SEGURIDAD 5

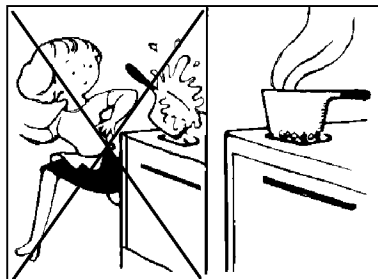
SEGURIDAD CON LOS UTENSILIOS

Use cacerolas con fondo plano y asas que puedan sujetarse con facilidad y permanezcan frías. Evite usar cacerolas inestables, deformes, que se volteen fácilmente o con las asas flojas. Las cacerolas que son demasiado pesadas para moverlas con alimentos podrían ser también peligrosas.

Asegúrese de que los utensilios sean lo suficientemente grandes para contener los alimentos y evitar los derrames. El tamaño de la cacerola es especialmente importante cuando se fríe en aceite abundante. Asegúrese de que la cacerola sea lo suficientemente grande para contener la cantidad de alimento que añadirá así como para las burbujas que se formen con la grasa.

Para reducir las quemaduras, el incendio de materiales inflamables y de los derrames debidos al contacto accidental del

utensilio, las asas no deben extenderse sobre los quemadores adyacentes. Siempre voltee las asas de las cacerolas hacia el lado o la parte posterior del electrodoméstico, no hacia el exterior en donde pueden golpearse con facilidad o los niños pueden alcanzarlas.



Nunca deje que se seque el contenido de una cacerola ya que podría dañar los utensilios y el electrodoméstico.

Siga las instrucciones del fabricante cuando use bolsas para cocinar en el horno.

Solamente ciertos tipos de utensilios de vidrio, cerámica vidriada, cerámica o vidriados son adecuados para usarse en la superficie para cocinar o el horno puesto a que pueden quebrarse debido a los cambios repentinos de temperatura.

Se han realizado pruebas a este electrodoméstico para garantizar que sea seguro para usar recipientes convencionales. No use dispositivos ni accesorios que no estén recomendados específicamente en este manual. No utilice cubiertas con dos partes movibles para las unidades de la superficie, los asadores de la estufa ni a los sistemas añadidos de convección del horno. El uso de dispositivos o accesorios que no estén específicamente recomendados en este manual pueden crear riesgos graves de seguridad, pueden causar problemas de rendimiento y reducir la vida útil de los componentes del electrodoméstico.

SEGURIDAD PARA LA LIMPIEZA

Apague todos los controles y espere a que las piezas del electrodoméstico se enfríen antes de tocar o limpiarlas. No toque las rejillas del quemador ni las áreas de alrededor hasta que transcurra el suficiente tiempo para que se enfríen.

Limpie el electrodoméstico con precaución. Tenga cuidado para evitar quemaduras si se usa una esponja o un paño mojado para limpiar derrames en las superficies calientes. Algunos limpiadores pueden generar gases dañinos si se aplican cuando la superficie está caliente.

AVISO Y ADVERTENCIA IMPORTANTE DE SEGURIDAD

La Ley de agua potable segura y el cumplimiento de sustancias tóxicas de California de 1986 [California Safe Drinking Water and Toxic Enforcement Act of 1986] (Proposición 65) exige que el Gobernador de California publique una lista de las sustancias que se conocen en el Estado de California como causantes de cáncer o daños en el sistema reproductor, y exige que los negocios adviertan a los clientes acerca de la exposición potencial a dichas sustancias.

Por medio de la presente se advierte a los usuarios de este electrodoméstico que la combustión de gas puede resultar en una exposición a un bajo nivel a algunas de las sustancias indicadas, incluyendo benceno, formaldehído y hollín, debido principalmente a la combustión incompleta de los combustibles de gas natural o de petróleo líquido (LP). Los quemadores correctamente ajustados reducirán la combustión incompleta. También se puede reducir la exposición a estas sustancias si se ventilan adecuadamente los quemadores hacia el exterior abriendo ventanas o una puerta de la habitación en donde se ubica el electrodoméstico.

CONSERVE ESTAS INSTRUCCIONES

Su electrodoméstico podría no estar equipado con algunas de las características mencionadas en este manual.

ADVERTENCIA ESPECIAL

Solamente el personal calificado deberá instalar o dar servicio a este electrodoméstico. Lea las Instrucciones importantes de seguridad en las páginas 3 a 5 antes de usar el electrodoméstico.

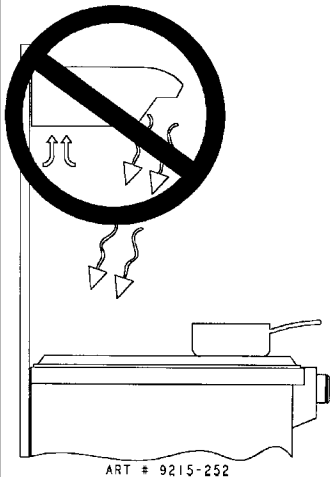
NOTA AL INSTALADOR

Siempre consulte los códigos locales y estatales antes de la instalación. Requisitos adicionales a los que se muestran podrían afectar estas instrucciones, por los cuales el fabricante no es responsable.

La instalación de electrodomésticos diseñados para vehículos de recreación deben estar en conformidad con los códigos estatales o locales, o en la ausencia de dichos códigos, con la última edición de Normas para Vehículos de Recreación ANSI/NFPA No. 501C.

Los electrodomésticos CUL deben instalarse de acuerdo con las Normas de la serie CAN/CSA Z240.4, "Vehículos de recreación y casas móviles equipadas con gas" y/o con los códigos locales que tengan jurisdicción. El espacio libre mínimo del mostrador al techo combustible según lo aprueba U.L. es 24". CUL es 19".

⚠ ADVERTENCIA



ESTE PRODUCTO NO DEBE INSTALARSE DEBAJO DE UNA CAMPANA DE VENTILACIÓN QUE DIRIJA EL AIRE EN UNA DIRECCIÓN HACIA ABAJO.

(VEA LA FIGURA)

ESTOS SISTEMAS DE VENTILACIÓN PUEDEN CAUSAR PROBLEMAS DE IGNICIÓN Y DE COMBUSTIÓN CON LOS QUEMADORES A GAS RESULTANDO EN LESIONES PERSONALES Y PUEDEN AFECTAR LA MANERA DE COCINAR DE LA UNIDAD.

NOTA: ES POSIBLE QUE LA FIGURA NO SEA UNA REPRESENTACIÓN EXACTA DE SU ESTUFA O DE SU SUPERFICIE PARA COCINAR; SIN EMBARGO, ESTA ADVERTENCIA SE APLICA A TODOS LOS ELECTRODOMÉSTICOS DE COCINA A GAS.

UBICACIÓN DE LA PLACA DE CLASIFICACIÓN

La placa de clasificación está localizada debajo de la superficie para cocinar. La siguiente información está listada en esta placa.

1. Los números de modelo y de serie.
2. El número del código de las especificaciones.

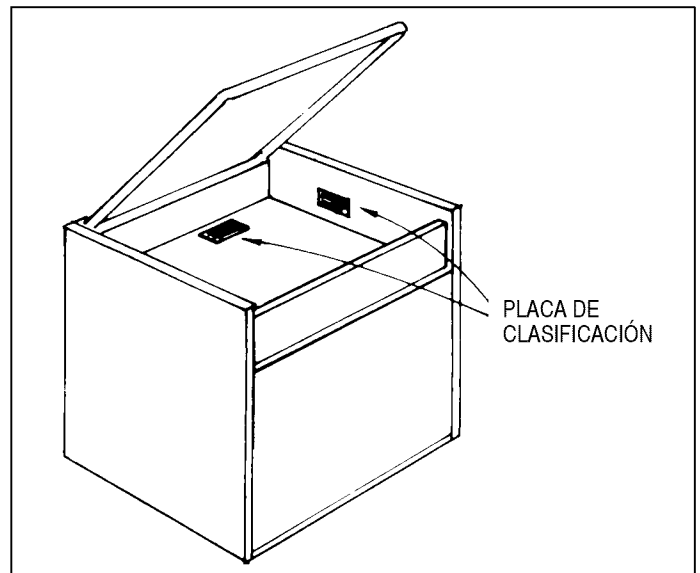
Cuando realice preguntas acerca de su electrodoméstico asegúrese de incluir estos números con su pregunta.

Por su comodidad registre estos números en el espacio provisto a continuación.

1. Número de modelo: _____

2. Número de serie: _____

3. Número del código de las especificaciones: _____



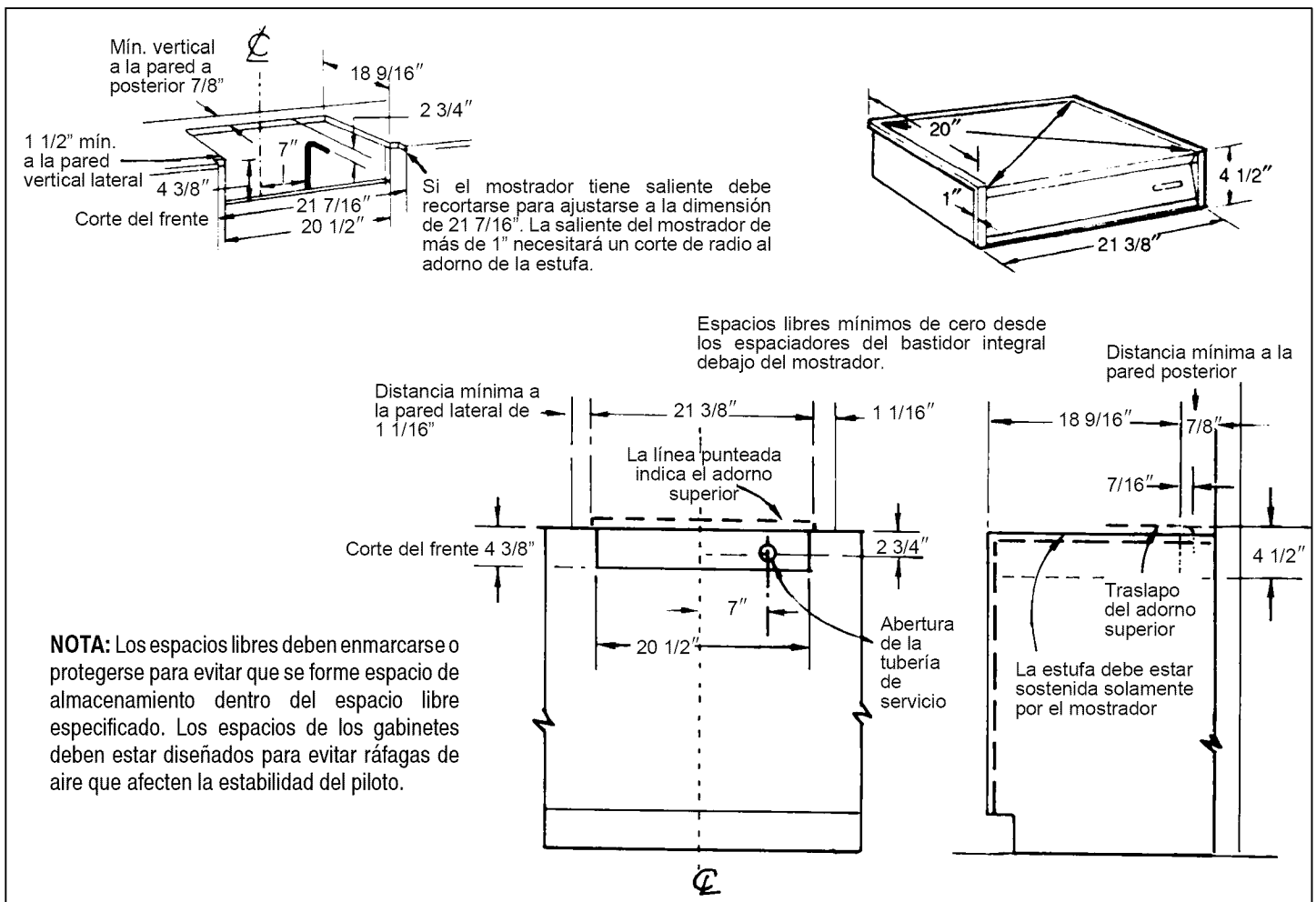
Para superficies para cocinar de vehículos de recreación (RV)

INSTALACIÓN

1. Corte el hueco de acuerdo con el diagrama que se muestra a continuación.
2. Alinee la tubería de suministro de gas de 3/8" con el orificio proporcionado en la caja del quemador de manera que se deslice en su lugar cuando se coloque la estufa en el hueco.
3. Coloque la estufa en su lugar y sujétela con cuatro tornillos para madera a través de los orificios provistos en el adorno lateral.
4. Conecte la tubería de suministro de gas.
5. Revise si hay fugas en todas las conexiones de gas con fluido anticorrosivo de detección de fugas. **No use llamas para revisar las fugas de gas.**

6. **PRECAUCIÓN:** LA TUBERÍA DE SUMINISTRO DE GAS PROPANO/PETRÓLEO LÍQUIDO (LP) DEBE TENER UN REGULADOR DE PRESIÓN DE GAS LP. LA PRESIÓN DE ENTRADA A ESTE ELECTRODOMÉSTICO DEBE REDUCIRSE A UN MÁXIMO DE 14 PULGADAS DE COLUMNA DE AGUA (0.5 PSI). LAS PRESIONES DE ENTRADA POR ENCIMA DE 0.5 PSI PUEDEN DAÑAR EL REGULADOR DE PRESIÓN DEL ELECTRODOMÉSTICO Y OTROS COMPONENTES DE GAS EN ESTE ELECTRODOMÉSTICO Y PUEDEN CAUSAR UNA FUGA DE GAS.

ADVERTENCIA: El esmalte de porcelana es vidrio que se ha fundido al metal. Se inspecciona rigurosamente y le dará muy buen servicio si se trata con cuidado, pero es rompible y no puede garantizarse. Igual que todos los artículos de vidrio o porcelana, no podemos reemplazar las piezas de esmalte que se dañen después de la entrega a los transportistas excepto por cuenta del cliente.



Para estufas en vehículos de recreación (RV)

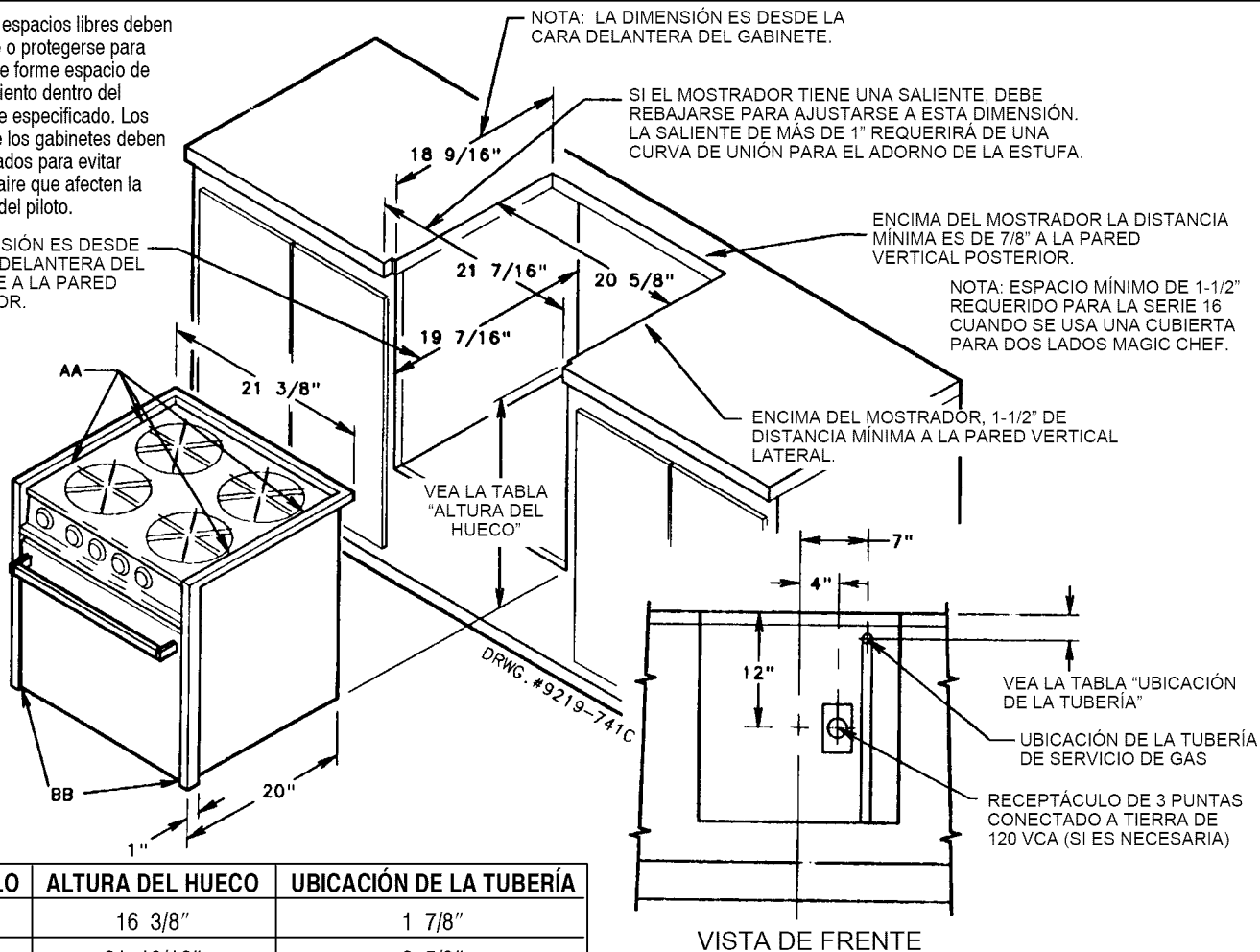
INSTALACIÓN

1. Corte el hueco como se muestra a continuación (la estufa puede suspenderse de la pestaña superior; no se necesita ningún otro soporte.)
2. Las estufas equipadas con un foco de 120 voltios en el horno requerirán la instalación de un receptáculo eléctrico de 120 voltios conectado a tierra, directamente detrás de la estufa (para ver la ubicación correcta consulte el dibujo a continuación). En las estufas con cable BX y marcado con suministro de energía de CD de 12 voltios, conecte la energía CD de 12 voltios a los cables etiquetados.
3. Coloque la estufa en el hueco y sujétela en su lugar. Los seis orificios de tornillo que se proveen están localizados en los puntos AA y BB. Deben usarse cuando menos cuatro tornillos para sujetar la estufa. Los fabricantes de vehículos de recreación pueden usar orificios adecuados según sea necesario para cumplir con la aplicación. Use tornillos para madera de cabeza plana No. 8.
4. Realice las conexiones de gas y revise si hay fugas con fluido anticorrosivo de detección de fugas. **No revise las fugas de gas con llamas encendidas.**
5. **PRECAUCIÓN:** LA TUBERÍA DE SUMINISTRO DE GAS PROPANO/PETRÓLEO LÍQUIDO (LP) DEBE TENER UN REGULADOR DE PRESIÓN DE GAS LP. LA PRESIÓN DE ENTRADA A ESTE ELECTRODOMÉSTICO DEBE REDUCIRSE A UN MÁXIMO DE 14 PULGADAS DE COLUMNA DE AGUA (0.5 PSI). LAS PRESIONES DE ENTRADA POR ENCIMA DE 0.5 PSI PUEDEN DAÑAR EL REGULADOR DE PRESIÓN DEL ELECTRODOMÉSTICO Y OTROS COMPONENTES DE GAS EN ESTE ELECTRODOMÉSTICO Y PUEDEN CAUSAR UNA FUGA DE GAS.

ADVERTENCIA: El esmalte de porcelana es vidrio que se ha fundido al metal. Se inspecciona rigurosamente y le dará muy buen servicio si se trata con cuidado, pero es rompible y no puede garantizarse. Igual que todos los artículos de vidrio o porcelana, no podemos reemplazar las piezas de esmalte que se dañen después de la entrega a los transportistas excepto por cuenta del cliente.

NOTA: Los espacios libres deben enmarcarse o protegerse para evitar que se forme espacio de almacenamiento dentro del espacio libre especificado. Los espacios de los gabinetes deben estar diseñados para evitar ráfagas de aire que afecten la estabilidad del piloto.

LA DIMENSIÓN ES DESDE LA CARA DELANTERA DEL GABINETE A LA PARED POSTERIOR.



MODELO	ALTURA DEL HUECO	UBICACIÓN DE LA TUBERÍA
16	16 3/8"	1 7/8"
22	21 13/16"	2 5/8"

SECCIÓN DEL HORNO

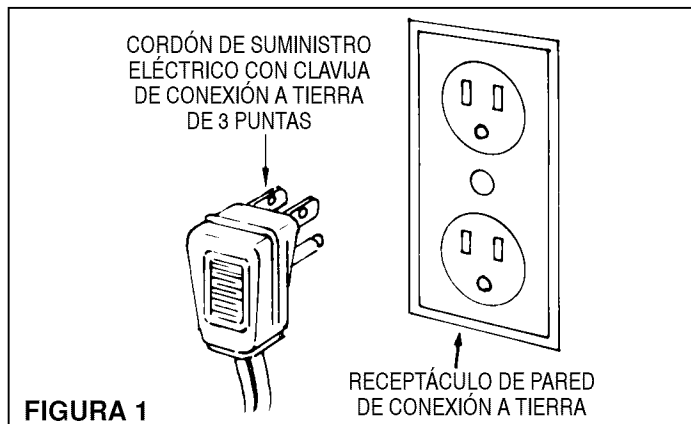
1. El termostato del horno de esta estufa le permitirá apagar el piloto constante del horno simplemente colocando el disco del termostato en la posición de apagado "OFF". Para encender el piloto, oprima la perilla de control y gírela en sentido contrario al de las manecillas del reloj hasta la posición de piloto encendido 'OVEN PILOT ON'. Oprima y mantenga oprimida la perilla de control mientras enciende el piloto permanente del horno.
2. El obturador de aire viene ajustado de fábrica, sin embargo, podría requerir algunos ajustes adicionales cuando se use en lugares de gran altitud.
3. Para ajustarlo, abra completamente el obturador de aire en donde tendrá una condición de soplado. Comience a cerrarlo lentamente, cuando llegue al ajuste correcto el soplado desaparecerá y el quemador tendrá una llama bien definida azul aproximadamente de 3 pulgadas de largo.
4. No hay ajuste del piloto del horno en el termostato, el control viene ajustado de fábrica para usar gas LP. no es necesario realizarle ajustes en el campo.

MÉTODO RECOMENDADO DE CONEXIÓN A TIERRA

REQUISITOS ELÉCTRICOS E INSTRUCCIONES DE CONEXIÓN A TIERRA PARA 120V 60HZ CA, si está equipado.

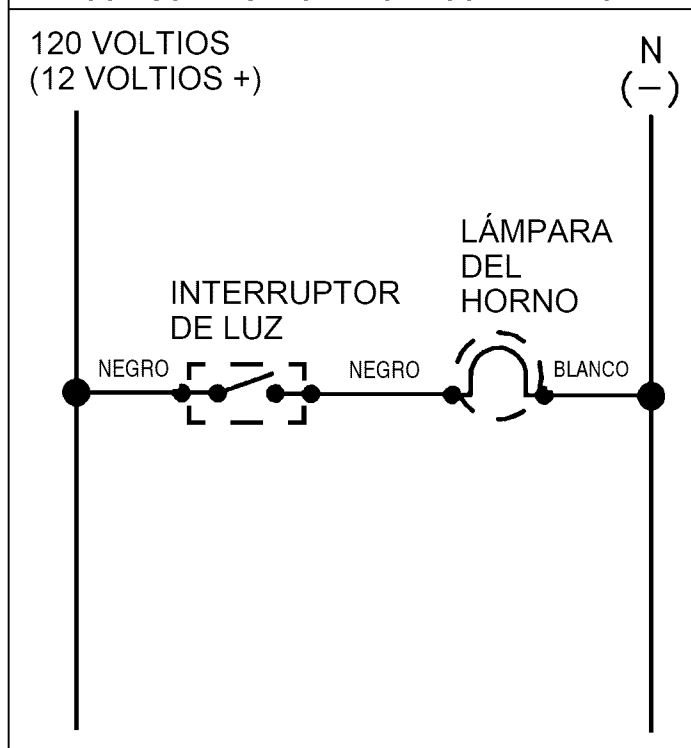
Acate todos los códigos y los reglamentos municipales que rigan. Todas las estufas que requieran suministro eléctrico deben estar conectadas a tierra.

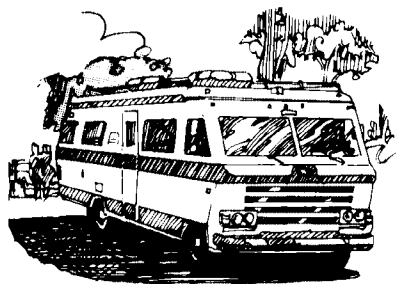
Si este electrodoméstico viene de fábrica equipado con un cordón de suministro eléctrico, tendrá una clavija de tres puntas conectada a tierra. Ésta debe conectarse en el receptáculo correspondiente, conectado a tierra de acuerdo con los códigos y reglamentos locales pertinentes y al Código Nacional Eléctrico. Si el circuito no tiene un receptáculo de conexión a tierra, es la responsabilidad y obligación del cliente cambiarla por una adecuada que esté conectada a tierra de acuerdo con los códigos y reglamentos locales correspondientes y al Código Nacional Eléctrico. **LA TERCERA PUNTA DE CONEXIÓN A TIERRA NO DEBE, BAJO NINGUNA CIRCUNSTANCIA, CORTARSE NI QUITARSE** ya que ésta proporciona protección contra el riesgo de descargas eléctricas.



NOTA: Una unidad que tiene un suministro eléctrico externo debe estar conectada a tierra de acuerdo con el Código Nacional Eléctrico. ANSI/NFPA No. 70-1990. En Canadá con el Código Eléctrico CAN/CSA - C22.2.

DIAGRAMA DE CABLEADO PARA LOS MODELOS CON SUMINISTRO ELÉCTRICO EXTERNO





APPAREIL DE CUISSON POUR VÉHICULE DE PLAISANCE

Notice de mise en service

(Appareil non homologué pour usage marin)

AVERTISSEMENT

POUR VOTRE SÉCURITÉ S'IL Y A UNE ODEUR DE GAZ :

1. Ouvrez les fenêtres et évacuez tous les occupants du véhicule.
2. Coupez l'alimentation de gaz au niveau de la bonbonne de gaz ou de la source de gaz.
3. Éteignez toute flamme.
4. N'actionnez pas de commutateur et n'utilisez pas le téléphone ou la radio du véhicule.
5. Ne faites pas démarrer le moteur du véhicule ni la génératrice électrique.
6. Appelez immédiatement votre fournisseur de gaz ou un prestataire de service après-vente agréé pour faire faire les réparations nécessaires.
7. N'allumez pas le gaz avant que la ou les fuites n'aient été réparées.

DANS CE GUIDE :

- MESURES DE SÉCURITÉ 3 à 5
- MISE EN SERVICE 6 à 9
 - Plaque de cuisson
 - Cuisinière

POUR VOTRE SÉCURITÉ

Ne pas entreposer ni utiliser d'essence ou autres liquides ou vapeurs inflammables à proximité de cette cuisinière ou de tout autre appareil ménager.

AVERTISSEMENT

Une mise en service, un réglage, une modification, une réparation ou une opération d'entretien mal exécutés peuvent être à l'origine de blessures et de dégâts. Se référer à ce manuel. Pour tous renseignements complémentaires ou assistance, consulter un installateur qualifié, un prestataire de service après-vente, le fabricant (son revendeur) ou le fournisseur de gaz.

INSTALLATEUR Remettre ce manuel avec l'appareil.

CONSOMMATEUR Pour économiser temps, énergie et argent, lire ce manuel et le conserver pour référence ultérieure.

POUR TOUTE ASSISTANCE, APPELER : 1-800-544-5513

VOTRE APPAREIL DE CUISSON POUR VÉHICULE DE PLAISANCE

2

Merci... d'avoir fait l'achat de notre appareil de cuisson. Pour vous aider à en tirer le maximum de satisfaction, nous vous offrons ces suggestions :

- ☞ Passez en revue toutes les mesures de sécurité.
- ☞ Étudiez le tableau de dépannage des pages 22 et 24 si l'appareil ne fonctionne pas correctement.
- ☞ Incluez les numéros de modèle et de série de votre appareil lorsque celui-ci doit être réparé.
 - Une preuve d'achat (par exemple le récépissé de vente) doit être fournie pour toute demande de prestations de garantie.
- ☞ Vous pouvez nous contacter au 1-800-544-5513

Maytag Appliances Sales Company
Attn: CAIRSM Center
P.O. Box 2370
Cleveland, TN 37320-2370,
États-Unis
1-800-544-5513

Nous cherchons constamment à améliorer la qualité et les performances de nos appareils de cuisson, et il est possible que nous ayons modifié cet appareil sans avoir révisé le manuel.

TABLE DES MATIÈRES

MESURES DE SÉCURITÉ IMPORTANTES	3-5
MISE EN SERVICE	6-9
À l'intention de l'installateur	6
Emplacement de la plaque signalétique	6
Cuisinière	7
Plaque de cuisson	8-9

3

MESURES DE SÉCURITÉ IMPORTANTES

Lire la totalité des mesures de sécurité avant d'utiliser cet appareil de cuisson.

Les conseils ci-dessous sont basés sur des considérations de sécurité et doivent être suivis rigoureusement pour éviter toute possibilité d'incendie, d'électrocution ou de blessure.

Veiller à ce que votre appareil soit correctement installé et mis à la terre par un technicien qualifié et conformément aux instructions fournies. Demander à l'installateur de vous indiquer où se trouve le robinet d'arrêt du gaz et comment le fermer en cas d'urgence.

Toujours débrancher l'appareil de cuisson ou le couper du secteur avant toute réparation.

Afin d'assurer le bon fonctionnement de votre appareil de cuisson et d'éviter de vous blesser ou de l'abîmer, ne pas essayer de réparer ou remplacer aucun des composants de votre appareil de cuisson à moins que cela ne soit spécifiquement recommandé dans ce manuel. Toute autre réparation doit être effectuée par un technicien qualifié.

POUR ÉVITER TOUS DOMMAGES DÛS AUX INCENDIES OU À LA FUMÉE

Veiller à retirer tous matériaux d'emballage de l'appareil de cuisson avant de l'utiliser.

Ne pas placer de matériaux combustibles, d'essence ou de matériaux ou vapeurs inflammables à proximité de l'appareil de cuisson.

Si l'appareil de cuisson est placé près d'une fenêtre, prendre les précautions nécessaires pour que des rideaux ne puissent pas voler au-dessus des brûleurs.

Ne pas laisser d'articles sur la surface de cuisson. L'air chaud provenant du conduit d'aération peut faire s'enflammer les articles inflammables et augmenter la pression dans les contenants fermés, qui peuvent éclater.

De nombreuses canettes d'aérosols peuvent **EXPLOSER** si elles sont exposées à la chaleur et peuvent également être extrêmement inflammables. Éviter de les utiliser ou de les ranger à proximité d'un appareil de cuisson.

Beaucoup d'articles en plastique ne supportent pas la chaleur. Ne pas laisser d'articles en plastique sur la surface de cuisson car ils peuvent fondre ou se déformer s'ils sont trop proches du conduit d'aération ou de brûleurs allumés.

Pour éviter tout risque d'accident en essayant d'atteindre un objet placé au-dessus de brûleurs brûlants, éviter d'avoir des armoires directement au-dessus de l'appareil de cuisson. S'il y a un élément de rangement au-dessus de l'appareil, n'y ranger que des objets utilisés rarement et qui ne risquent pas d'être affectés par la chaleur dégagée. La température risque d'y être trop élevée pour certains produits tels que les liquides volatiles, les produits de nettoyage ou les aérosols.

EN CAS D'INCENDIE

Éteindre l'appareil et la hotte aspirante pour éviter de propager l'incendie. Éteindre celui-ci, puis remettre la hotte en marche pour éliminer la fumée et les odeurs.

Utiliser un extincteur à poudre chimique ou à neige carbonique ou encore du bicarbonate de soude pour étouffer les flammes. Ne jamais utiliser d'eau pour éteindre de la graisse enflammée.

Si un incendie se déclare dans le four, fermer la porte pour l'étouffer.

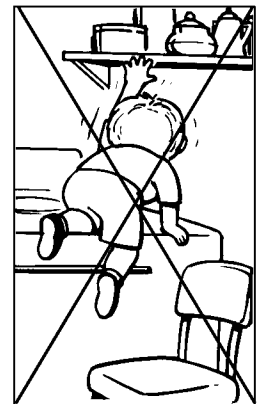
Si le contenu d'une casserole s'enflamme sur la surface de cuisson, couvrir la casserole. Ne jamais essayer de saisir ou de déplacer une casserole dont le contenu s'est enflammé.

MESURES DE SÉCURITÉ—ENFANTS

Ne pas laisser les enfants seuls ou sans surveillance dans une pièce où l'appareil de cuisson est en usage ou encore chaud. Ne jamais laisser d'enfants monter ou s'asseoir sur un point quelconque de l'appareil de cuisson.

Il est indispensable d'apprendre aux enfants qu'un appareil de cuisson ou les récipients placés à l'intérieur peuvent être brûlants. Laisser plats et casseroles refroidir hors de portée des enfants. Il est important d'enseigner aux enfants qu'un appareil de cuisson n'est pas un jouet. Ne pas les laisser s'amuser avec les commandes ou toute autre partie de l'appareil.

ATTENTION : Ne jamais entreposer d'objets qui pourraient vouloir attraper les enfants sur le dossier ou dans les armoires se trouvant au-dessus de l'appareil de cuisson. Un enfant qui, pour les atteindre, grimpe sur l'appareil peut se blesser grièvement.



VOTRE APPAREIL DE CUISSON

Pour éviter tout risque de blessure et empêcher que l'appareil de cuisson ne se trouve endommagé, ne pas l'utiliser comme appareil de chauffage.

Par ailleurs, ne pas utiliser le four ni la surface de cuisson pour y ranger de la nourriture ou des plats ou casseroles.

Ne pas bloquer l'écoulement de l'air servant à la combustion ou à la ventilation de l'appareil de cuisson en obstruant les conduits d'aération ou les prises d'air. Si l'apport d'air aux brûleurs est réduit, ceux-ci ne fonctionnent pas correctement et produisent davantage d'oxyde de carbone, qui peut atteindre une concentration dangereuse.

Éviter de toucher le pourtour des conduits d'aération quand le four est allumé et pendant plusieurs minutes une fois qu'il est éteint. Certaines parties des conduits d'aération et de leur pourtour deviennent suffisamment chaudes pour brûler. Une fois le four éteint, ne pas toucher le conduit d'aération ni son pourtour jusqu'à ce qu'ils aient eu le temps de refroidir.

ATTENTION : Ne pas utiliser l'appareil de cuisson comme un escabeau d'accès aux armoires. L'utilisation des portes ou des tiroirs pour un usage auquel ils ne sont pas adaptés, par exemple en montant, en s'appuyant ou en s'asseyant dessus, peut dans certains cas faire culbuter l'appareil de cuisson, casser la porte ou causer des blessures graves.

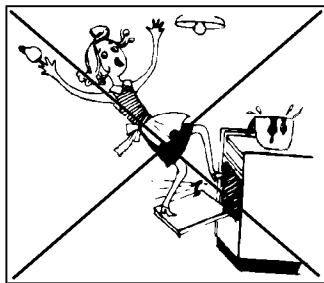
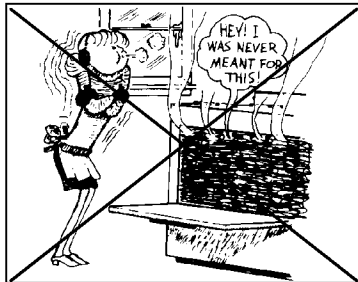
Ne pas toucher une ampoule de four brûlante avec un linge humide car l'ampoule pourrait se briser. Si l'ampoule se brise, débrancher l'appareil de cuisson avant d'enlever l'ampoule pour éviter toute électrocution.

AVERTISSEMENT LORS DE L'UTILISATION D'ALIMENTS PRÊTS À CONSOMMER

Suivre les instructions du fabricant. Si un récipient d'aliments congelés en plastique et/ou son couvercle se tordent, perdent leur forme ou sont abîmés en cours de cuisson, jeter immédiatement le récipient et son contenu. La nourriture pourrait être contaminée.

MESURES DE SÉCURITÉ — CUISSON

Toujours mettre une casserole sur un brûleur avant d'allumer celui-ci et l'éteindre avant d'enlever la casserole pour éviter l'exposition à la flamme du brûleur. Toujours vérifier que le brûleur désiré est mis en marche et qu'il est bien allumé. Une fois la cuisson terminée, éteindre le brûleur avant de retirer la casserole afin d'éviter toute exposition à la flamme.



Toujours régler la flamme des brûleurs de la surface de cuisson de façon à ce que les flammes ne dépassent pas le fond du récipient utilisé. Une flamme trop importante crée un risque, représente un gaspillage d'énergie et peut abîmer l'appareil de cuisson, la casserole ou les armoires qui se trouvent au-dessus de l'appareil de cuisson.

Ne jamais laisser une cuisson à la surface de l'appareil de cuisson sans surveillance lorsqu'une température élevée est utilisée ou pendant la cuisson à la friture. Les aliments qui débordent dégagent de la fumée et le liquide qui déborde peut être gras et s'enflammer. Nettoyer tout liquide gras qui a débordé aussi rapidement que possible. Ne pas utiliser le réglage à pleine puissance sur une durée prolongée.

Ne jamais faire chauffer de récipient fermé, sur la surface de cuisson ou dans le four. La pression accumulée peut le faire éclater, avec les risques de blessure ou de dégâts que cela entraîne.

Utiliser des poignées protectrices sèches et solides. Les poignées humides peuvent causer des brûlures par la vapeur. Ne jamais utiliser de torchon à vaisselle ou autre linge car ils peuvent entrer en contact avec la surface brûlante des brûleurs de la surface de cuisson et s'enflammer ou encore se trouver accrochés sur des éléments de l'appareil de cuisson.

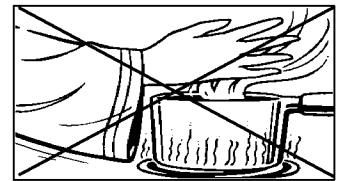
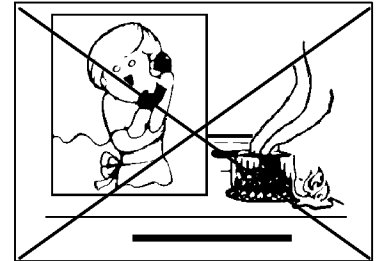
Toujours laisser la friture refroidir avant d'y toucher ou de la déplacer.

Ne pas laisser de la graisse de cuisson ou tout autre matériau inflammable s'accumuler sur l'appareil, la hotte aspirante ou le ventilateur ni à proximité. Nettoyer la hotte fréquemment pour empêcher la graisse de s'accumuler sur la hotte elle-même ou sur le filtre. Avant de faire flamber des aliments sous la hotte, allumer le ventilateur.

Faire attention avec les vêtements en matériaux inflammables car ils pourraient prendre feu. Ne jamais porter de vêtements amples ou à manches pendantes pendant l'utilisation de l'appareil de cuisson. Ils peuvent prendre feu ou s'accrocher sur la queue d'une casserole.

Toujours placer les grilles du four à la hauteur désirée pendant que le four est froid. Pour ajouter ou retirer de la nourriture, sortir la grille du four en utilisant des poignées sèches et solides. Toujours éviter de mettre les mains dans le four pour y placer ou enlever de la nourriture. Si une grille doit être déplacée une fois le four allumé, veiller à éviter le contact de la poignée protectrice avec les flammes du brûleur.

Faire attention en ouvrant la porte du four. Laisser la vapeur ou l'air chaud s'échapper avant d'enlever ou de remettre de la nourriture.



5

MESURES DE SÉCURITÉ IMPORTANTES

MESURES DE SÉCURITÉ — RÉCIPIENTS

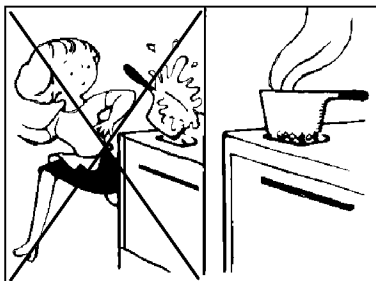
Utiliser des récipients à fond plat dont les poignées sont faciles à prendre en main et restent froides au toucher. Éviter d'utiliser des casseroles instables, cabossées, faciles à renverser ou dont la poignée ne tient pas bien. Les casseroles qui sont très lourdes une fois pleines peuvent également présenter des risques.

Veiller à utiliser un récipient assez grand pour la quantité de nourriture à cuire afin d'éviter que le contenu ne déborde. La grandeur du récipient est particulièrement importante pour la friture. Veiller à ce qu'il soit suffisamment grand pour le volume de la nourriture à cuire et pour le bouillonnement de la friture.

Pour réduire les risques de brûlures, de combustion de matériaux inflammables ou d'éclaboussures dûs au contact accidentel avec

le récipient, la queue de celui-ci ne doit pas être placée au-dessus des brûleurs voisins.

Toujours tourner les queues de casseroles vers l'intérieur ou vers l'arrière de l'appareil de cuisson et non pas vers la pièce où les enfants peuvent s'y cogner ou les attraper.



Ne jamais laisser le contenu d'une casserole bouillir jusqu'à ce qu'elle soit vide car la casserole et l'appareil de cuisson pourraient se trouver endommagés.

Toujours suivre le mode d'emploi du fabricant lors de l'utilisation d'un sac à rôtir.

Seuls certains types de récipients en verre, vitrocéramique, céramique, terre cuite ou vernissés peuvent être utilisés sans se briser suite à un changement brusque de température, que ce soit sur une surface de cuisson ou au four.

La sécurité de fonctionnement de cet appareil de cuisson a été vérifiée avec des récipients traditionnels. Ne pas utiliser de dispositifs ou accessoires qui ne sont pas spécifiquement recommandés dans ce manuel. Ne pas utiliser de couvre-brûleurs, de grils pour surface de cuisson ni de dispositifs accessoires pour les fours à chaleur tournante. L'utilisation de dispositifs ou accessoires qui ne sont pas expressément recommandés dans ce manuel peut créer des risques sérieux, donner des résultats médiocres et réduire la durabilité des composants de l'appareil de cuisson.

MESURES DE SÉCURITÉ — NETTOYAGE

Éteindre l'appareil de cuisson et attendre que tous les composants aient refroidi avant de les toucher ou de les nettoyer. Ne pas toucher les grilles des brûleurs ni leur pourtour avant qu'elles aient eu le temps de refroidir suffisamment.

Faire preuve de prudence lors du nettoyage de l'appareil de cuisson. Si une éponge ou un linge humide sont utilisés pour essuyer du liquide qui a débordé, faire attention à éviter les brûlures par la vapeur. Par ailleurs, certains produits de nettoyage produisent des vapeurs nocives s'ils sont appliqués sur une surface brûlante.

NOTICE DE SÉCURITÉ ET AVERTISSEMENT IMPORTANTS

La loi californienne sur l'eau potable et les substances toxiques de 1986 (Proposition 65) exige que le gouverneur de Californie publie une liste des substances reconnues par l'état de la Californie comme étant cancérogènes ou affectant la reproduction et requiert que les entreprises mettent leurs clients en garde contre l'exposition potentielle à de telles substances.

Les utilisateurs de cet appareil de cuisson sont par la présente prévenus que la combustion du gaz peut exposer à des niveaux peu élevés de substances nomenclaturées, dont le benzène, le formol et la suie, principalement en raison de la combustion incomplète du gaz naturel ou du gaz de pétrole liquéfié (GPL). Des brûleurs bien ajustés réduisent au minimum la possibilité de combustion incomplète. L'exposition à ces substances peut également être réduite en assurant la ventilation appropriée des brûleurs vers l'extérieur.

CONSERVER CES INSTRUCTIONS

Votre appareil de cuisson peut ne pas posséder certaines des fonctions décrites dans ce manuel.

AVERTISSEMENT SPÉCIALE

L'installation et le dépannage de cet appareil doivent être réalisés uniquement par du personnel qualifié. Lire les « mesures de sécurité », pages 3 à 5 avant d'utiliser l'appareil.

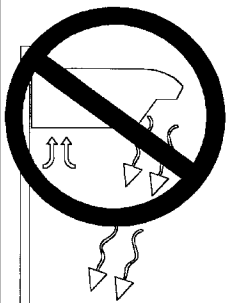
REMARQUE À L'INTENTION DE L'INSTALLATEUR

Toujours vérifier les codes provinciaux et locaux avant d'effectuer la mise en service. D'autres règlements peuvent imposer des contraintes qui peuvent affecter les indications fournies dans ces pages et à propos desquelles le fabricant décline toute responsabilité.

La mise en service d'appareils conçus pour les véhicules de plaisance doit être conforme aux codes provinciaux ou autres codes ou, à défaut, aux normes ANSI 501C du « Standard for Recreational Vehicles », dernière édition.

Au Canada, l'installation de la cuisinière doit être conforme aux normes standard de la série CAN/ACN Z240.4 relatives aux caractéristiques techniques exigées pour les appareils fonctionnant au gaz utilisés dans des véhicules de plaisance et les maisons mobiles et/ou tous codes locaux en vigueur. L'espace minimum entre le dessus du comptoir et un plafond en matériau combustible doit être de 61 cm (24 po) pour être homologué UL aux États-Unis et de 48,3 cm (19 po) au Canada.

AVERTISSEMENT



CET APPAREIL NE DOIT PAS ÊTRE INSTALLÉ AU-DESSOUS D'UNE HOTTE DE VENTILATION QUI DIRIGE L'AIR DANS UNE DIRECTION DE HAUT EN BAS.

(VOIR LA FIGURE)

CES SYSTÈMES D'ÉVACUATION PEUVENT POSER DES PROBLÈMES D'ALLUMAGE ET DE COMBUSTION AVEC DES BRÛLEURS À GAZ AYANT POUR RÉSULTAT DES BLESSURES ET PEUVENT AFFECTER LA FAÇON DE CUIRE DE L'APPAREIL.

ART # 9215-252

NOTE: IL EST POSSIBLE QUE LA FIGURE NE SOIT PAS UNE REPRÉSENTATION EXACTE DE VOTRE CUISINIÈRE OU DE VOTRE PLAQUE DE CUISSON; POURTANT, CET AVERTISSEMENT S'APPLIQUE À TOUT APPAREIL DE CUISSON À GAZ.

EMPLACEMENT DE LA PLAQUE SIGNALÉTIQUE

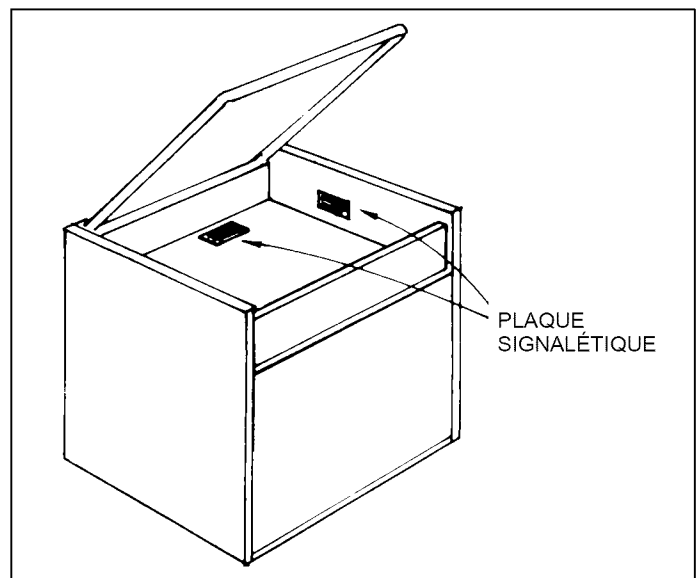
La plaque signalétique se trouve sous la surface de cuisson. Les renseignements suivants y sont indiqués :

1. Numéros de modèle et de série.
2. Code des caractéristiques techniques.

Indiquer ces chiffres lors de toute demande de renseignements.

Pour plus de facilité par la suite, noter ces chiffres ci-dessous :

1. Numéro de modèle _____
2. Numéro de série _____
3. Code des caractéristiques techniques _____



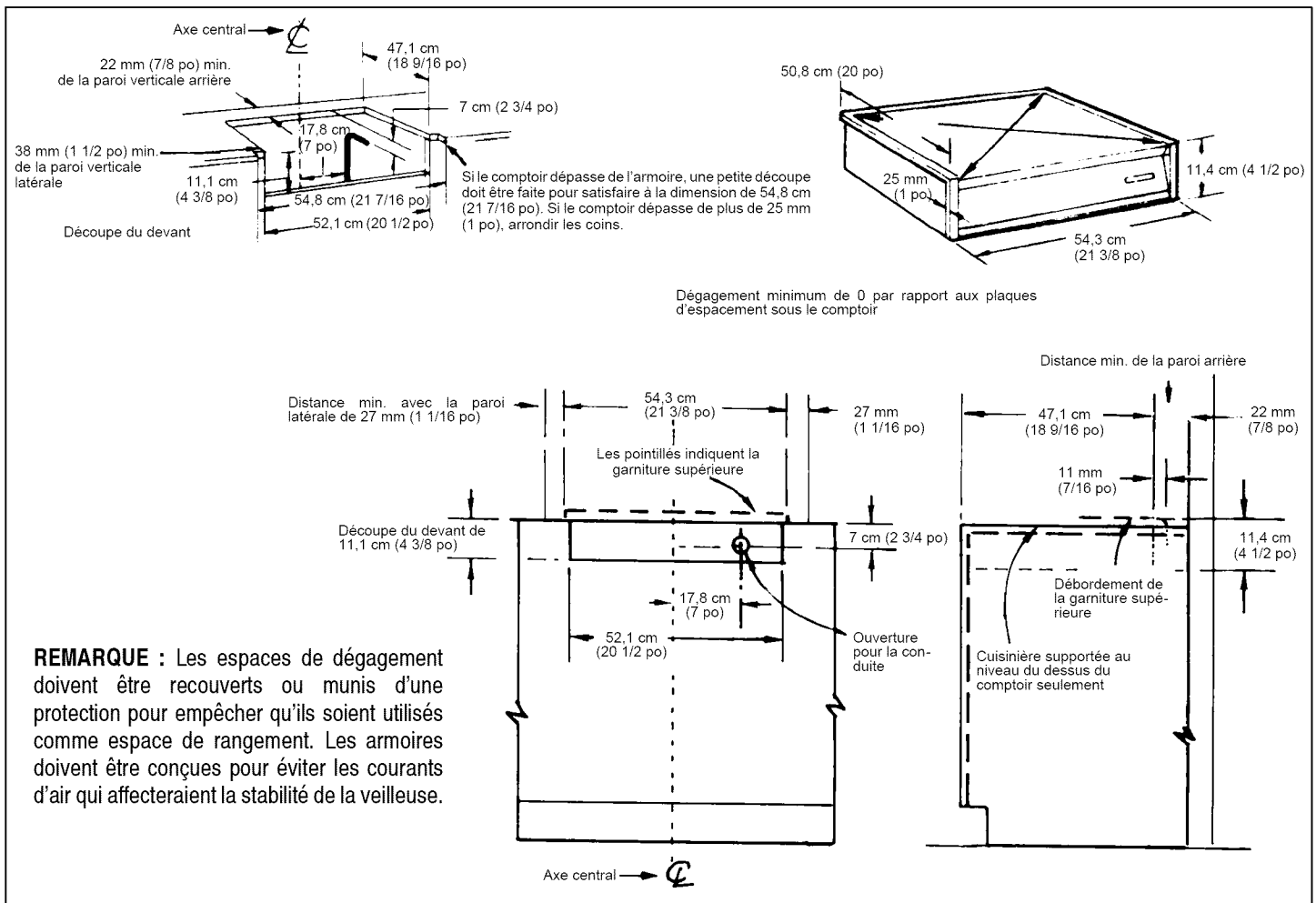
Plaque de cuisson pour véhicule de plaisancetop

MISE EN SERVICE

1. Découper une ouverture suivant les indications du diagramme ci-dessous.
2. Centrer la conduite d'alimentation en gaz de 10 mm (3/8 po) sur le trou pratiqué dans le compartiment des brûleurs de façon à ce qu'elle se glisse en place lorsque la cuisinière est placée dans l'ouverture.
3. Mettre la plaque de cuisson à son emplacement et la fixer en place en vissant quatre vis à bois dans les orifices prévus dans la garniture du côté.
4. Raccorder l'alimentation en gaz.
5. Vérifier qu'aucun raccord ne fuit à l'aide de liquide non corrosif de détection de fuites. **Ne pas utiliser de flamme pour voir s'il y a des fuites.**
6. **ATTENTION : LA CONDUITE DE PROPANE/GAZ DE PÉTROLE LIQUÉFIÉ (GPL) DOIT ÊTRE ÉQUIPÉE**

D'UN DÉTENDEUR POUR GPL. LA PRESSION À L'ARRIVÉE DE CET APPAREIL DOIT ÊTRE DÉTENDUE DE FAÇON À NE PAS ÊTRE SUPÉRIEURE À 3,5 KPA (14 PO DE COLONNE D'EAU OU 0,5 PSI). UNE PRESSION À L'ARRIVÉE SUPÉRIEURE À 3,5 KPA (0,5 PSI) PEUT ENDOMMAGER LE DÉTENDEUR DE L'APPAREIL ET LES AUTRES COMPOSANTS DU SYSTÈME DE DISTRIBUTION DU GAZ DE CET APPAREIL ET POURRAIT PROVOQUER DES FUITES DE GAZ.

AVERTISSEMENT : L'émail vitrifié est du verre fusionné sur du métal. L'appareil a été inspecté avec soin et assurera un bon service s'il est manipulé sans brutalité ; il est cependant cassable et ne peut être garanti. Comme c'est le cas pour tous les articles en porcelaine ou en verre, nous ne pouvons remplacer les pièces émaillées qui se trouvent endommagées après avoir été livrées aux transporteurs, sauf aux frais du client.



Cuisinière pour véhicule de plaisance

MISE EN SERVICE

1. Découper une ouverture suivant les indications ci-dessous (la cuisinière peut être suspendue par le flasque supérieur ; aucun autre support n'est nécessaire).
2. Les cuisinières dont le four est équipé d'un éclairage de 120 V exigent, directement derrière la cuisinière, la pose d'une prise murale de 120 V à trois broches qui doit être reliée à la terre (pour son emplacement exact, voir l'illustration ci-dessous). Dans le cas de cuisinières à câble blindé BX indiquées comme exigeant une alimentation continue 12 V, raccorder les fils codés sur l'alimentation 12 V.
3. Placer la cuisinière dans l'ouverture et la fixer en place. Les six trous prévus pour les vis se trouvent aux points AA et BB. La cuisinière doit être fixée en place avec un minimum de 4 vis. Les fabricants de véhicules de plaisance peuvent utiliser les trous qu'ils jugent nécessaires pour leur équipement. Utiliser des vis à bois n° 8 à tête plate.
4. Raccorder l'alimentation en gaz. Vérifier qu'aucun raccord ne fuit à l'aide de liquide non corrosif de

détection de fuites. **Ne pas utiliser de flamme pour voir s'il y a des fuites.**

5. **ATTENTION : LA CONDUITE DE PROPANE/GAZ DE PÉTROLE LIQUÉFIÉ (GPL) DOIT ÊTRE ÉQUIPÉE D'UN DÉTENDEUR POUR GPL. LA PRESSION À L'ARRIVÉE DE CET APPAREIL DOIT ÊTRE DÉTENDUE DE FAÇON À NE PAS ÊTRE SUPÉRIEURE À 3,5 KPA (14 PO DE COLONNE D'EAU OU 0,5 PSI). UNE PRESSION À L'ARRIVÉE SUPÉRIEURE À 3,5 KPA (0,5 PSI) PEUT ENDOMMAGER LE DÉTENDEUR DE L'APPAREIL ET LES AUTRES COMPOSANTS DU SYSTÈME DE DISTRIBUTION DU GAZ DE CET APPAREIL ET POURRAIT PROVOQUER DES FUITES DE GAZ.**

AVERTISSEMENT : L'émail vitrifié est du verre fusionné sur du métal. L'appareil a été inspecté avec soin et assurera un bon service s'il est manipulé sans brutalité ; il est cependant cassable et ne peut être garanti. Comme c'est le cas pour tous les articles en porcelaine ou en verre, nous ne pouvons remplacer les pièces émaillées qui se trouvent endommagées après avoir été livrées aux transporteurs, sauf aux frais du client.

REMARQUE : Les espaces de dégagement doivent être recouverts ou munis d'une protection pour empêcher qu'ils soient utilisés comme espace de rangement. Les armoires doivent être conçues pour éviter les courants d'air qui affecteraient la stabilité de la veilleuse.

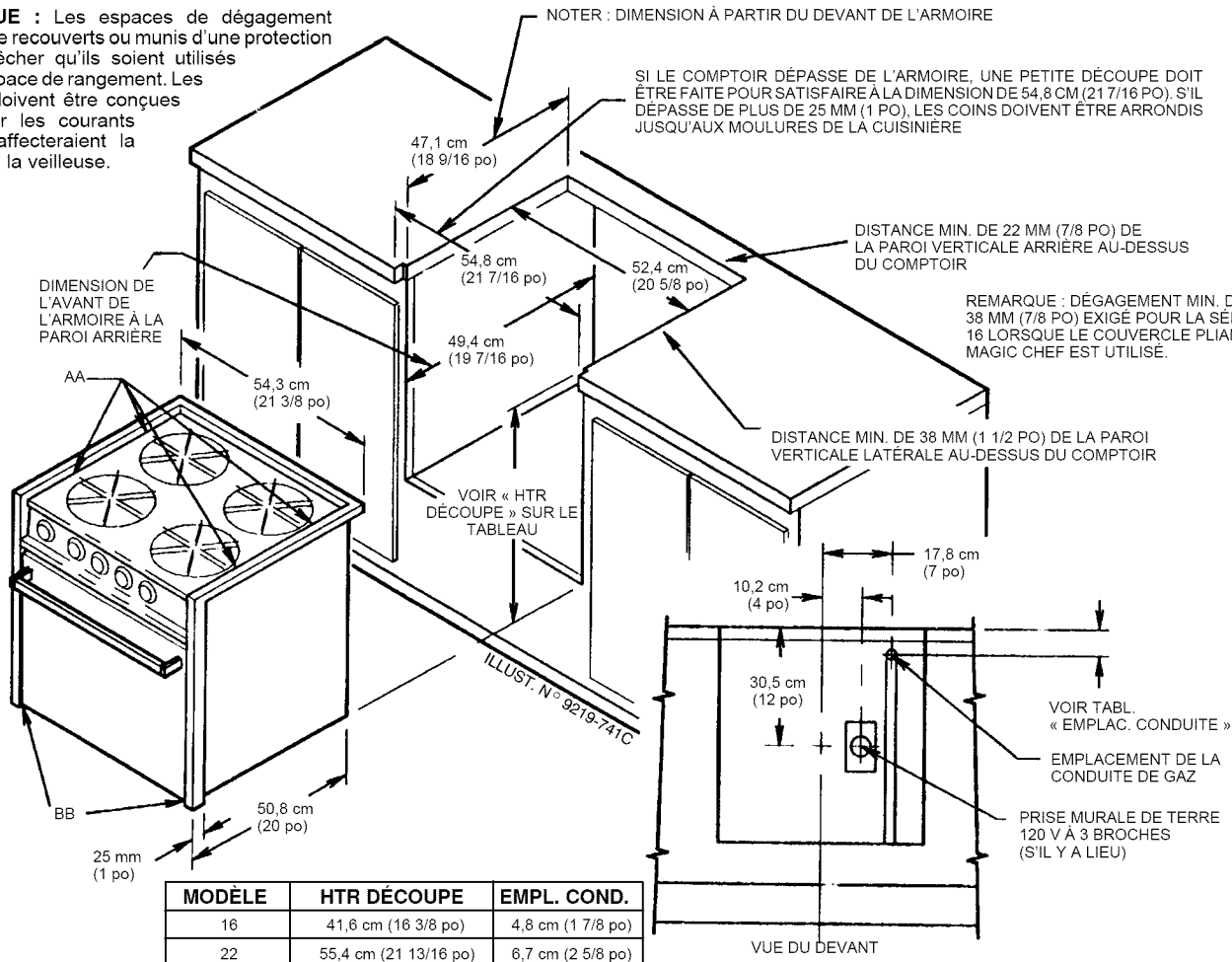
NOTER : DIMENSION À PARTIR DU DEVANT DE L'ARMOIRE

SI LE COMPTOIR DÉPASSE DE L'ARMOIRE, UNE PETITE DÉCOUPE DOIT ÊTRE FAITE POUR SATISFAIRE À LA DIMENSION DE 54,8 CM (21 7/16 PO), S'IL DÉPASSE DE PLUS DE 25 MM (1 PO), LES COINS DOIVENT ÊTRE ARRONDIS JUSQU'ÀUX MOULURES DE LA CUISINIÈRE

DISTANCE MIN. DE 22 MM (7/8 PO) DE LA PARI VERTICALE ARRIÈRE AU-DESSUS DU COMPTOIR

REMARQUE : DÉGAGEMENT MIN. DE 38 MM (7/8 PO) EXIGÉ POUR LA SÉRIE 16 LORSQUE LE COUVERCLE PLIANT MAGIC CHEF EST UTILISÉ.

DISTANCE MIN. DE 38 MM (1 1/2 PO) DE LA PARI VERTICALE LATÉRALE AU-DESSUS DU COMPTOIR



VOIR TABL. « EMLAC. CONDUITE »

EMPLACEMENT DE LA CONDUITE DE GAZ

PRISE MURALE DE TERRE 120 V À 3 BROCHES (S'IL Y A LIEU)

VUE DU DEVANT

PARTIE FOUR

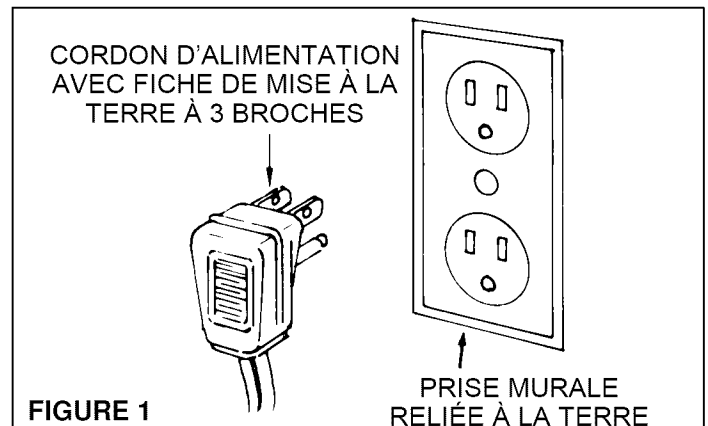
1. Le thermostat du four de cette cuisinière permet de fermer la veilleuse du four en tournant simplement le sélecteur du thermostat sur la position " Off " (arrêt). Pour allumer la veilleuse, pousser le bouton de commande et le tourner dans le sens anti-horaire sur la position " OVEN PILOT ON " (veilleuse du four allumée). Pousser de façon continue sur le bouton de commande tout en allumant la veilleuse du four.
2. L'obturateur d'air a été réglé en usine. Toutefois, il peut exiger un réglage additionnel s'il est utilisé à une altitude élevée.
3. Pour régler l'obturateur d'air, le mettre en position complètement ouverte, de façon à ce qu'il soit possible d'entendre un souffle. Commencer à fermer l'obturateur graduellement. Lorsque le réglage qui convient est atteint, le souffle cesse de se faire entendre et le brûleur a une flamme nette et bleue d'environ 7,5 cm (3 po) de long.
4. Il n'y a pas de réglage de la veilleuse au niveau du thermostat. La commande a été réglée en usine pour le gaz GPL et aucun autre réglage n'est nécessaire par la suite.

MÉTHODE DE MISE À LA TERRE RECOMMANDÉE

CARACTÉRISTIQUES DE L'ALIMENTATION ÉLECTRIQUE ET CONSIGNES DE MISE À LA TERRE POUR UNE ALIMENTATION ÉLECTRIQUE ALTERNATIVE DE 120 V ET 60 HZ, si la cuisinière l'exige.

Observer tous les codes et règlements pertinents. Toute cuisinière exigeant une alimentation électrique doit être raccordée à la terre.

Si cette cuisinière est équipée d'un cordon d'alimentation, celui-ci comporte une fiche de terre à trois broches. Celle-ci doit être branchée sur une prise de terre de même type conformément au code d'électricité canadien et à tous codes et règlements pertinents. Si le circuit n'a pas de prise murale reliée à la terre, la responsabilité et l'obligation reviennent au client de remplacer la prise murale existante par une prise correctement reliée à la terre conformément au code d'électricité canadien et à tous codes et règlements pertinents. **LA BROCHE DE MISE À LA TERRE NE DOIT EN AUCUN CAS ÊTRE COUPÉE OU ENLEVÉE car elle assure une protection contre les électrocutions.**



REMARQUE : Un appareil dont l'alimentation électrique est extérieure doit être relié à la terre conformément au code d'électricité national CAN/ACN C22.2 au Canada et ANSI/NFPA n° 70-1990 aux États-Unis.

SCHÉMA DE CÂBLAGE POUR LES MODÈLES À ALIMENTATION ÉLECTRIQUE EXTÉRIEURE

