

Save This Manual
For Future Reference



*owners
manual*

**MODEL NO.
113.179881**

Serial
number _____

Model and serial
number may be found
on the motor cover.

You should record both
model and serial
number in a safe place
for future use.

CAUTION:

Read all safety
instructions carefully



**16 GALLON
WET-DRY VAC
DOUBLE INSULATED**

- *assembly*
- *operating*
- *repair parts*

Sold by SEARS, ROEBUCK AND CO., Chicago, IL. 60684 U.S.A.

FULL ONE YEAR WARRANTY ON CRAFTSMAN WET-DRY VACS.

If within one year from date of purchase, this Craftsman Wet-Dry Vac fails due to a defect in material or workmanship, Sears will repair it, free of charge.

WARRANTY SERVICE IS AVAILABLE BY SIMPLY CONTACTING THE NEAREST SEARS STORE OR SERVICE CENTER THROUGHOUT THE UNITED STATES.

This warranty gives you specific legal rights, and you may also have other rights which vary from state to state.

SEARS, ROEBUCK AND CO., Dept. 698/731A, Sears Tower, Chicago, IL 60684

SAFETY INSTRUCTIONS

Rules for Safe Operation

1. Know Your Vac

Read and understand the owners manual and labels affixed to the vac. Learn its applications and limitations as well as the specific potential hazards peculiar to this vac.

2. This Vac is Double Insulated which eliminates the need for a separate grounding system. If the use of an extension cord is required be sure that it is in good condition and meets the requirements as listed below.

NOTE: The use of any Extension Cord will cause some loss of power. To keep the loss to a minimum and to prevent overheating and motor burnout, use the table below for the MINIMUM wire size Extension Cord.

Extension Cord Length	Wire Size
0 - 50 Feet	No. 14
50 - 100 Feet	No. 12

3. **WARNING: To avoid fire or explosion caused by the igniting of vapors or dust due to the arcing of the motor brushes:**

- Do not operate this VAC in areas with flammable vapors (such as lighter fluid, cleaners, oil-base paints, gasoline or gasahol) or explosive dust (such as coal, magnesium, grain or gun powder) in the air.
- Do not vacuum explosive dust, flammable or combustible liquids or hot ashes.
- Do not use VAC as a sprayer for any flammable or combustible liquid.

4. **WARNING: To avoid health hazards from vapors or dusts, do not vacuum toxic materials.**

5. Do not use VAC with torn filter. Replace filter if torn.

6. **WARNING: To avoid your hair or a small child's hair from being pulled into your vac motor, keep all hair away from the motor inlet located on top of the vac.**

7. Sears Service Center can repair your vac should the need ever exist. However, if you choose to service the vac yourself please read and understand MAINTENANCE instructions before changing brush assembly.

WARNING: Taking apart this VAC can result in dangerous electrical hazards if any leads (wires) are pinched against metal surfaces when VAC is put together again. Reassemble carefully.

8. Replace both brushes when either is worn to about 1/4" in length or after about 500 operating hours.

9. **NOTE:** Static Build-up — A stationary electrical charge may sometimes build up around your vac hose and housing. This is common in dry areas and a slight shock may be gotten much the same as walking across a carpet and touching a wall switch. This is only temporary and does not affect the use of the vac.

A special 2-1/2 inch diameter hose and extension handle kit which may reduce the amount of static build up, Service Part Number 73100, can be purchased through your Sears Service Department.

10. Plug VAC into 110-120v, outlet protected by 15 amp. fuse or circuit breaker.

11. Empty drum and clean filter often to keep motor cool and running at its best.

WARNING: Unplug power cord before cleaning or changing the filter.

12. Grasp plug to remove from wall socket, not by pulling cord.

13. Don't use VAC unless filter is in correct position.

14. Don't oil or grease motor or blower bearings. These are sealed bearings.

15. Make sure filter is dry for both dry vacuuming and storing.

16. Use only recommended accessories.

17. Note the cautions and warnings that appear on the motor housing and dust drum:



**DOUBLE INSULATED
GROUNDING NOT REQUIRED
WHEN SERVICING USE ONLY
IDENTICAL REPLACEMENT PARTS**

CAUTION: Keep Filter clean.

WARNING: To avoid electrical shock do not expose to rain. Store indoors.

WARNING: For your own safety, read and understand Owner's Manual. Do not pick up flammable materials, hot ashes or coals. Do not use around explosive liquids or vapors.

The operation of any utility vac can result in foreign objects being blown into the eyes, which can result in severe eye damage. Always wear safety goggles complying with ANSI Z87.1 (shown on Package) before commencing operation. Safety Goggles are available at Sears retail or catalog stores.



Introduction

TWO IMPORTANT NOTES

First, on our **Patented Air Bleed-Off System**. When you turn your Vac on you will notice air blowing out of your Vac all around the lid. This is **not** a leak. This Vac is designed to bleed-off additional exhaust air in this area. This is a Patented Feature which increases the performance of this Vac.

Second, on **Static Electricity**

When operating this Vac a static charge may build up around the Vac, the Hose and Extension Handles. This also includes the operator. Contact with any item with a lesser charge will cause a discharge or balancing of charges. Thus, creating a very temporary shock to the operator much like walking across a carpet and touching a wall switch. This is only temporary and will not affect the use of the Vac.

CONTENTS

Rules for Safe Operation	2
Introduction	3
Unpacking and Checking Contents	3
Assembly	4
Operation	5
Maintenance	6
Optional Accessories	8
Repair Parts	9

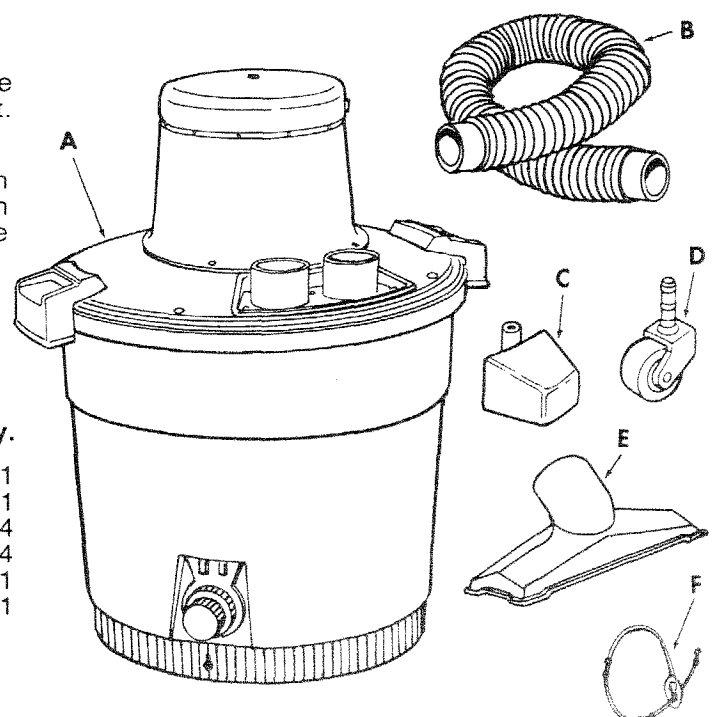
unpacking and checking contents

Model 113.179881 Wet-Dry Vac is shipped complete but does not include the optional accessory kit. Available accessories can be found on page 8.

Open carton and remove all accessories laying in top of carton. Check each item with the Carton Contents list and notify your Sears Store immediately if any parts are missing.

CARTON CONTENTS

Key	Description	Qty.
A	Vac Assembly	1
B	Hose Assembly (2-1/2" Dia.)	1
C	Foot, Caster	4
D	Caster	4
E	Nozzle, Rectangular	1
F	Hose Strap	1

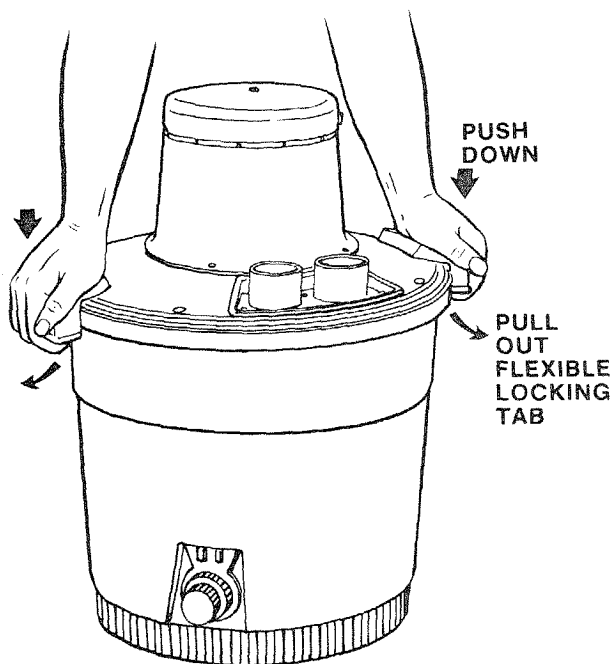
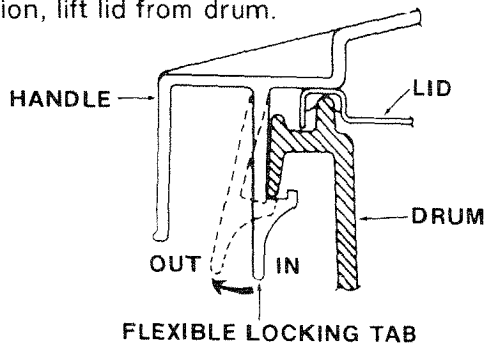


assembly

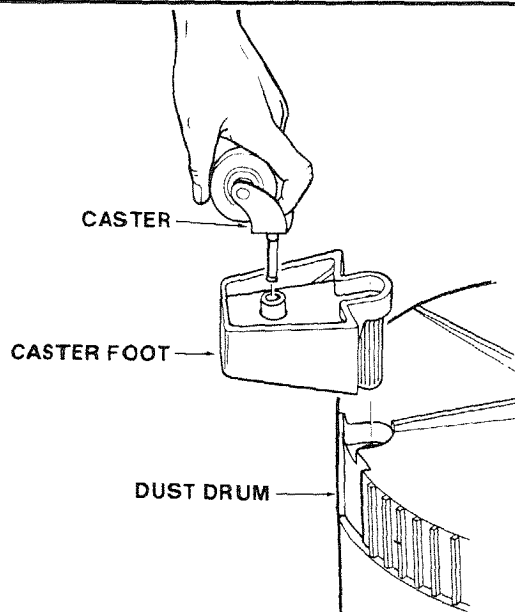
WARNING: For your own safety, never connect plug to power source outlet until assembly steps are complete and you have read and understand the safety and operation instructions. Do not operate VAC with any parts damaged or missing.

PUTTING YOUR VAC TOGETHER

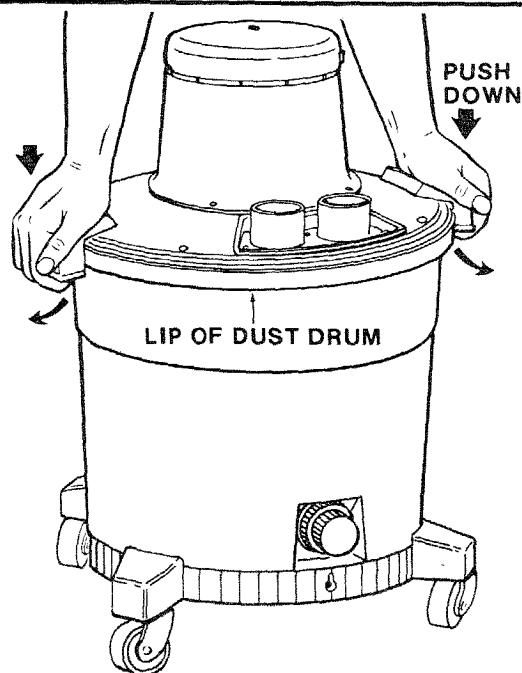
1. Remove lid assembly from dust drum. Push down on both handles at once, while pulling out on both flexible locking tabs. With locking tabs in "out" position, lift lid from drum.



2. Turn dust drum upside down. Insert caster feet into holes in bottom of drum and casters into holes in caster feet as shown. Be sure all parts are seated.



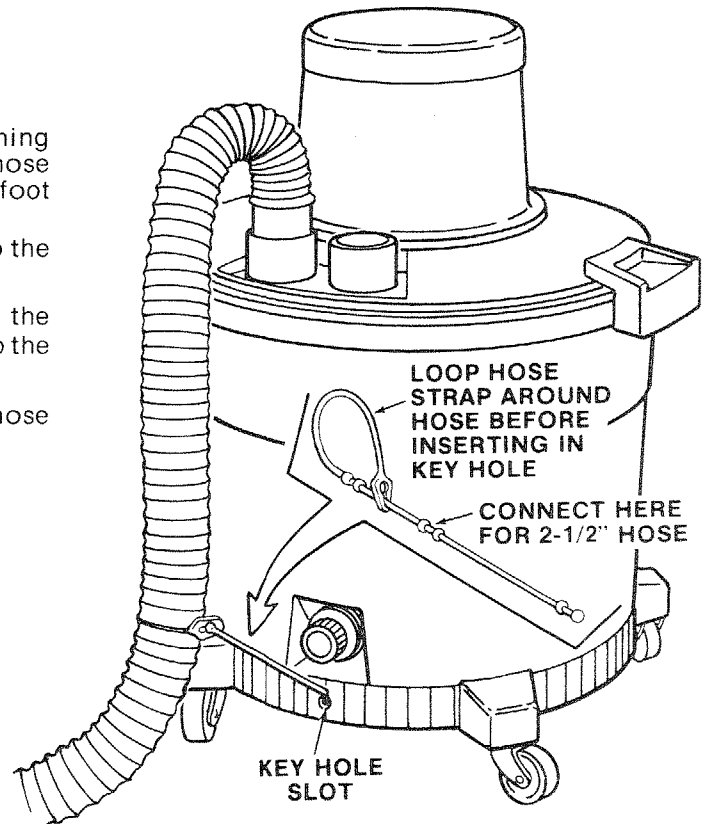
3. Before replacing the lid check to see if filter wing nut is tight. It should be tight enough that filter cannot turn easily. Finger tight only.
4. Put the top back on the dust drum by lining up the vacuuming opening of the top with the drain of the dust drum and push down on both handles at once. Make sure that the locking tabs are snapped in place to prevent the lid from coming off.



5. Put one end of the swivel hose into the vacuuming opening directly above the drain. Take the hose strap and loop it around the hose about one foot from the vacuuming opening. Then put the other end of the hose strap into the keyhole slot just under the drain as shown.

When the vac is pulled around by the hose, the strap between the drum and the hose will help the vac remain easy to handle.

Put the utility nozzle on the other end of the hose and your Vac is ready to use.



operations

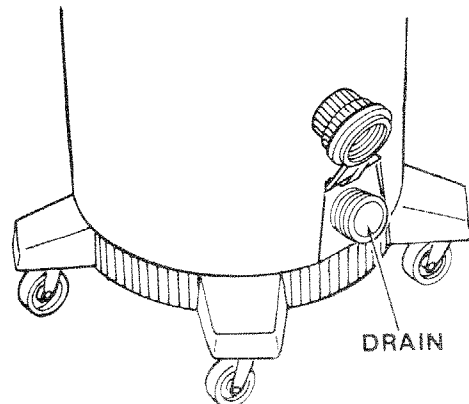
Using your Vac

1. Vacuuming liquids

- A. There are many methods of vacuuming liquids which will vary depending on the conditions you encounter. You may have to experiment with your vac accessories to find the combination best suited for your needs.
- B. When vacuuming large volumes of liquid, usually one or more full drums, it is recommended that you remove the filter to eliminate any misting which may result from a saturated filter.
- C. When vacuuming small amounts of liquid it will be best to leave the filter in place. When the filter becomes saturated it will be necessary for you to change to a dry filter or dry out the current filter before proceeding. To aid drying a wet filter you may run the vac for about 5 minutes with filter in place.
- D. Your vac is equipped with a float mechanism which will rise automatically to cut off suction when the liquid in the drum reaches a certain level. When the float rises the motor will develop a higher pitch noise than normal running. Turn off the vac and empty the drum.
- E. Once the filter becomes wet you must dry it before using the vac to pick up dry material such as sawdust or before storing the vac for future use. If you pick up sawdust when the filter is wet the sawdust will stick to the filter and become hard when the filter dries. In addition, if you store the vac when the filter is wet it will mildew and a very unpleasant odor will result.
- F. Your vac may be used to pick up non-explosive, non-toxic liquids.

2. Draining the Drum

Your Vac has a drain for emptying liquids. Just unscrew the drain cap and lift slightly. The drain cap has a retainer so that it can be put back on quickly and will not easily be lost.



3. Dry Pick Up

NOTE: When vacuuming very fine sawdust or spackling compound from drywall type material, it will be necessary for you to clean your filter at frequent intervals.

- A. Always use a dry filter when picking up dry materials like sawdust.
- B. If you pick up sawdust or dry material when the filter is wet it will clog the filter.
- C. To aid drying a wet filter you may run the vac for about 5 minutes before using it to pick up dry material.
- D. Use your vac to pick up many non-explosive, non-toxic, materials such as sawdust, woodchips and shavings, sand, gravel, even nails.

4. Blowing

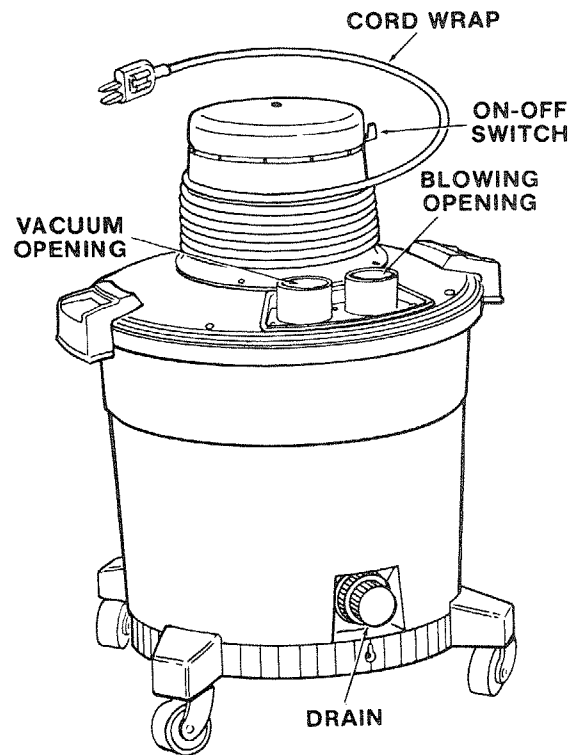
To use your vac for blowing just put the hose into the opening on the top of your vac that says "Blowing".

5. On-Off-Switch

Your vac is turned ON or OFF by using the switch easily found on the Motor Cover.

6. Cord Wrap

When finished using your vac, unplug the cord and wrap it around the Motor Cover.



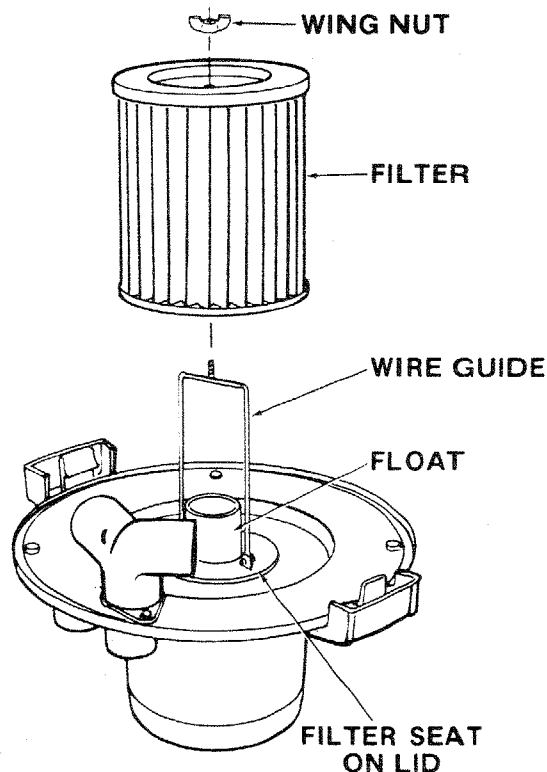
maintenance

FILTER MAINTENANCE

WARNING — Unplug power cord before changing or cleaning filter.

REMOVAL

To remove the old filter for cleaning or replacement remove the wing nut on the bottom plate of the filter and lift the filter off the wire guide.



INSTALLATION

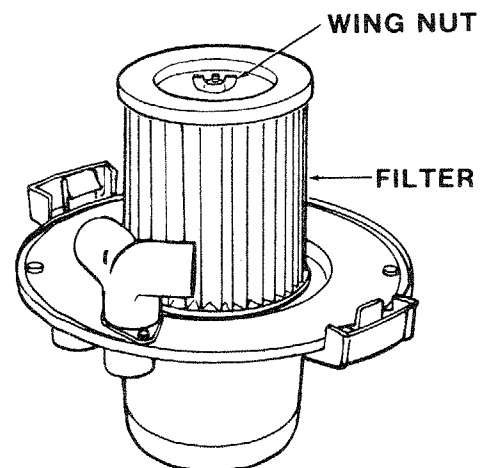
To ensure a proper seal clean the lid area where the filter will set. Slide the new filter over the wire guide so that the threaded part of the guide goes through the hole in the bottom plate of the filter. Then run wing nut down threads finger tight only. Do not overtighten as this will cause deformation or cracks in the filter or end plates.

CLEANING

Your filter should be cleaned often to maintain peak performance. Dry filter before storing or picking up dry debris.

Dry Filter

To remove dry debris gently tap the filter against the inside wall of your waste container and the debris will loosen and fall.



Wet Filter

To clean a wet filter you can run water from a garden hose through it. Take care that the water pressure from the hose is not strong enough to damage the filter.

IMPORTANT: Dry the filter before storing or picking up dry debris. You may run the vac with the filter in place to speed up drying. Check the filter for tears or small holes. Even a small hole can cause a lot of dust to come out of your vac. Do not use a filter with holes or tears in it. Replace it immediately.

REPLACING BRUSHES

NOTE: Sears Service Center can repair your vac should the need ever exist. However, if you choose to service the vac yourself please read and understand the maintenance instructions before changing brush assembly.

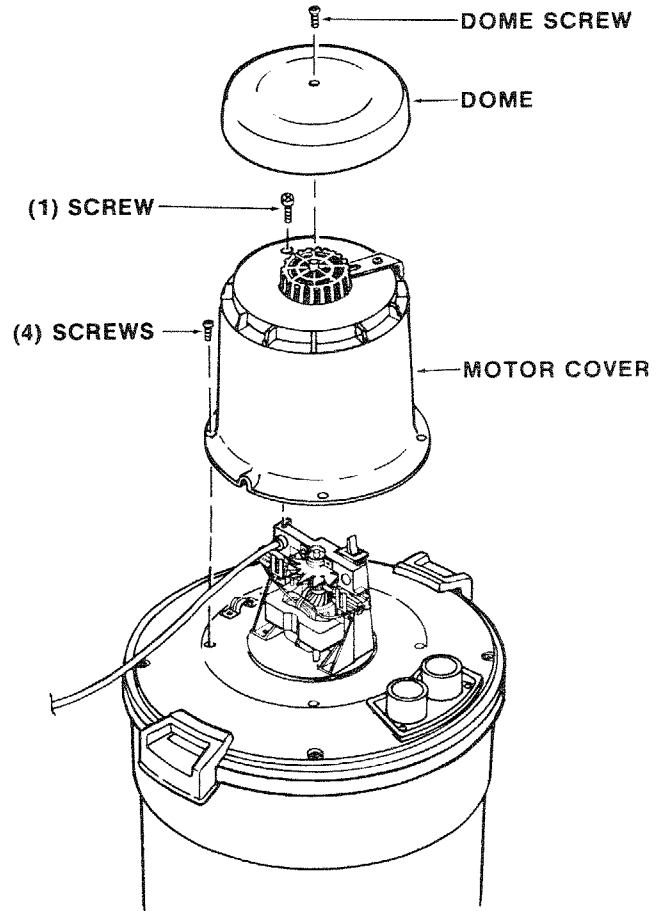
WARNING: Taking apart this VAC can result in a dangerous electrical hazard if any leads (wires) are pinched against metal surfaces or if insulating parts are not replaced when VAC is put together again. To avoid shock or fire, reassemble carefully.

- A. If motor does not run check the plug and cord and fuse or circuit breaker for faults before working on the vac.
- B. When brushes are worn to about 1/4" or after 500 operating hours, they should be replaced.
- C. Your vac motor has two brushes. If either needs to be replaced then both must be replaced at that time.

WARNING — unplug power cord before working on motor, blower, or changing brushes.

TO REPLACE BRUSHES ON MOTOR — Be sure to replace both brushes at same time.

1. Remove screw holding Dome as shown. Remove Dome.
2. Remove five screws holding Motor Cover as shown. Remove Motor Cover. It will be easier if you replace one brush holder at a time.

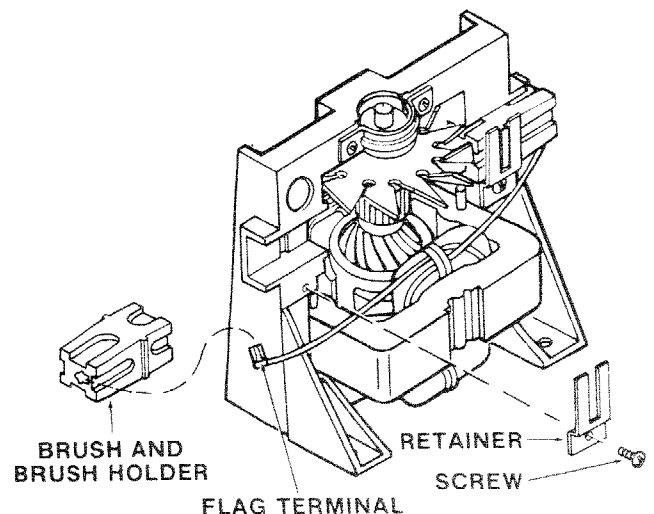


NOTE: To avoid crossing brush wires connect flag terminal to new brush as soon as it is removed from old brush.

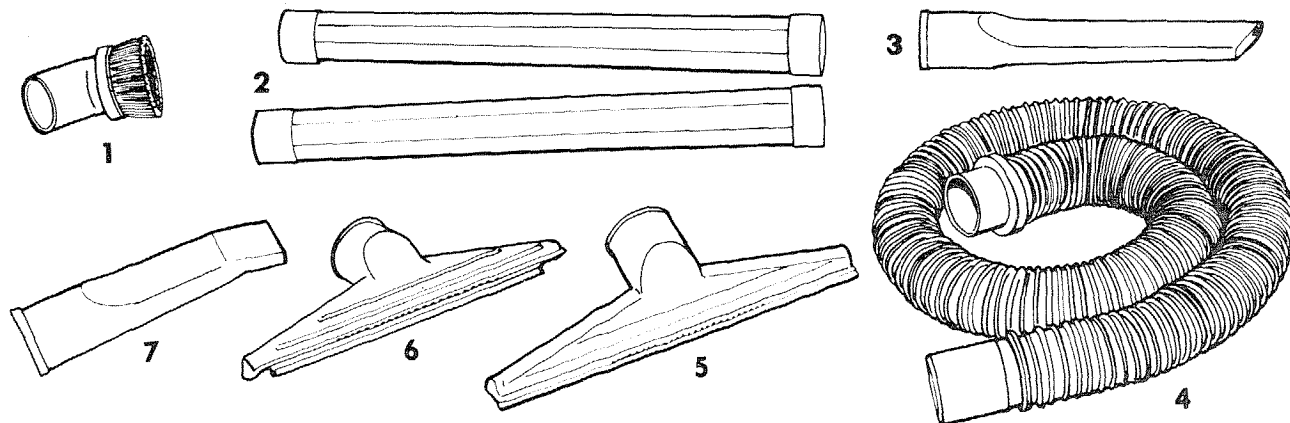
The brush and plastic holder are connected and are replaced as a complete unit.

3. Remove Screw, Retainer and Brush Holder Assembly as shown. Brush Holder Assembly is thrown away after Flag Connector is removed from Brush Holder.
4. Connect new brush holder to flag connector. (Be sure connectors are put back together the same way they were taken off.) Putting connectors on wrong will cause damage to the motor. Replace brush holder, retainer and screw.
5. Put the Motor Cover back on.
6. Put the Dome back on.

NOTE: When new brushes are put in, the motor may sound differently for a while until the new brushes are seated.



Sears Wet-Dry Vac recommended accessories



2-1/2" DIAMETER PLASTIC ACCESSORIES

For large debris, the current 2-1/2" diameter accessories shown above are available at your nearest Sears retail or catalog order store.

1. 9-16901 — Round Brush for dusting.
2. 9-16964 — Extension handles for 2-1/2" hose. Extends work-area range up to 46" more.
3. 9-16902 — Crevice Tool for cleaning Hard-to-reach areas.
4. 9-17818 — 2-1/2" diameter Extension Hose and Connector Kit extends cleaning reach up to 72".
5. 9-17817 — 14" Squeegee Nozzle for wet pick-up. Complete with built-in, flexible squeegee blade to wipe clean and pick up water, suds and other liquids.

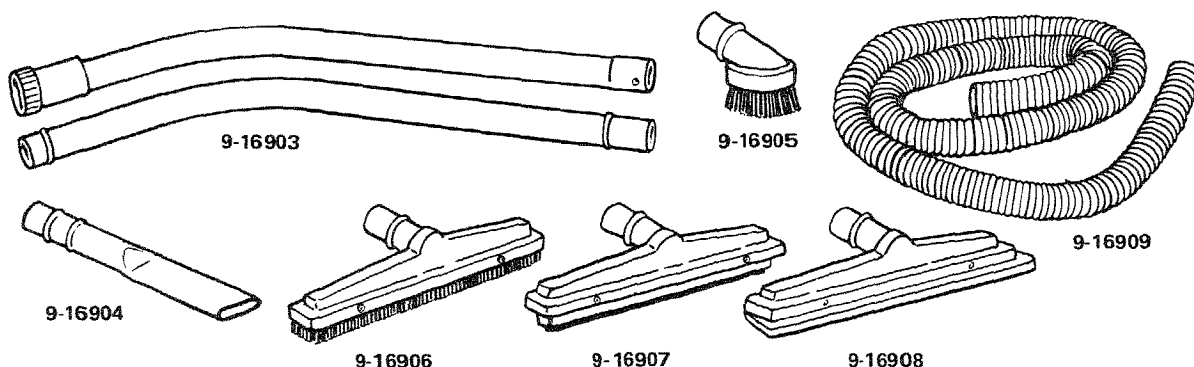
6. 9-16925 — 14" Wide Nozzle with brush for large area pick-up. Gets dust and dirt from bare floors.

7. 9-16978 — Car Nozzle ideal for cleaning the inside of your car — picks up stones and dirt off carpet; cleans ash tray without having to remove tray.

ACCESSORY SET

9-16919 — 6 Piece Accessory Set includes (1) Round Brush, (2) Two Extension Handles, (3) Crevice Tool, (6) 14" Wide Nozzle, (5) Squeegee Nozzle.

The above recommended accessories were current and available at the time of printing.



1 1/2" DIAMETER HEAVY DUTY METAL ACCESSORIES

The current 1-1/2" diameter accessories shown above are available at your nearest Sears catalog order store.

9-16903 — Extension handles for 1-1/2" hose. Extends work area range up to 48" more.

9-16905 — Round brush for dusting, great on stairs and blinds. Soft bristles pick up dirt from hard-to-clean areas, convenient angled neck.

9-16909 — 1-1/2" diameter extension hose extends cleaning reach up to 10 Ft. Heavy Duty Plastic Hose may be used with 1-1/2" metal accessories or with 2-1/2" plastic accessories. Adapters included.

9-16907 — Squeegee nozzle for wet pick-up. Complete with built-in, flexible squeegee blade to wipe clean and pick up water, suds and other liquids.

9-16906 — Nozzle with brush for large area pick-up. Gets dust and dirt from bare floors.

9-16904 — Crevice tool cleans hard-to-reach areas. Remove long-standing dust from behind radiators, under appliances, beneath low-sitting objects, behind seats.

9-16908 — Indoor/outdoor type carpet nozzle.

1 1/2" DIAMETER ACCESSORY SET

16911 — Includes 10 foot hose, two piece extension handle, carpet nozzle.

The above recommended accessories were current and available at the time of printing.

repair parts

PARTS LIST FOR 16 GALLON WET-DRY VAC 113.179881

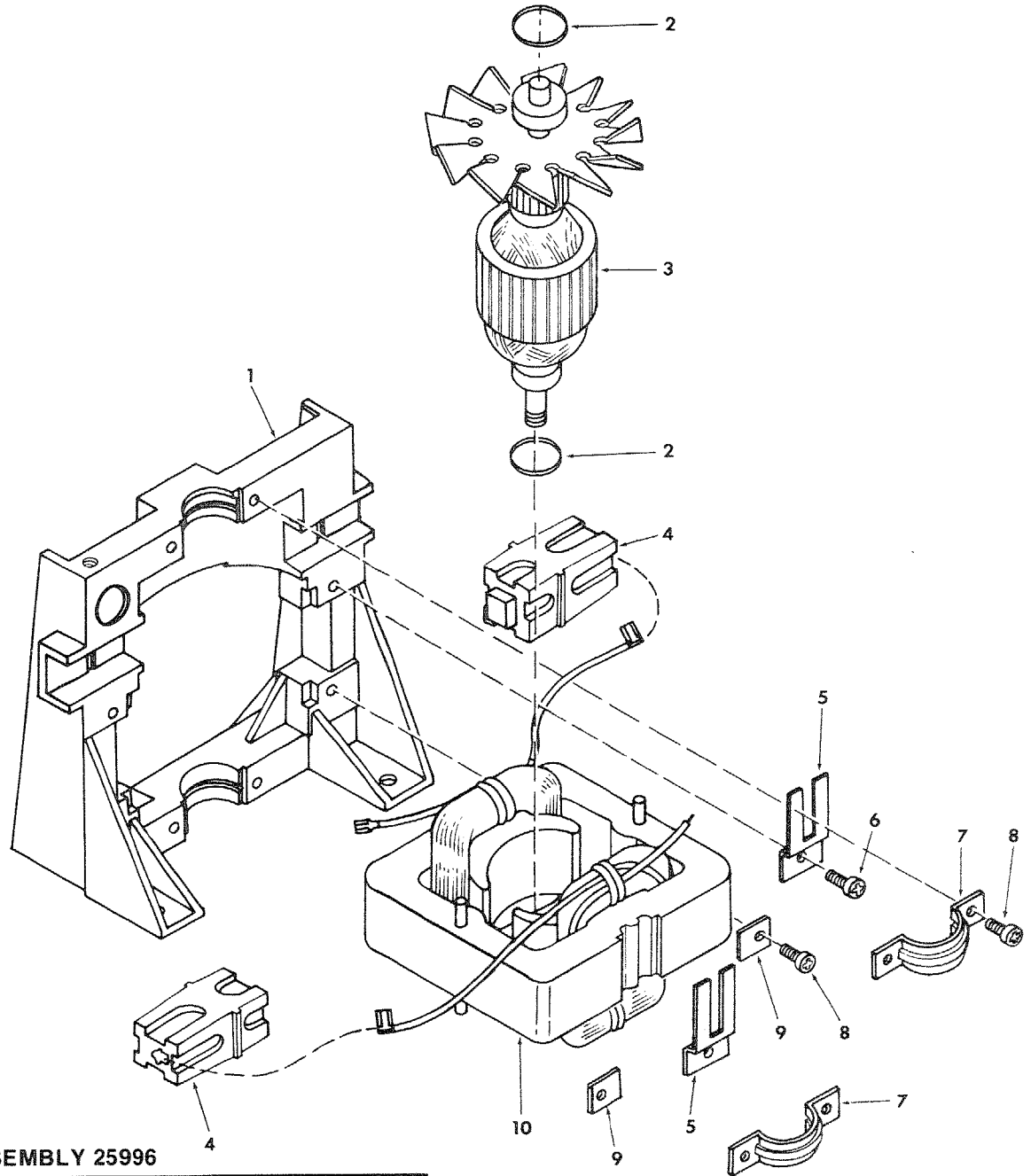
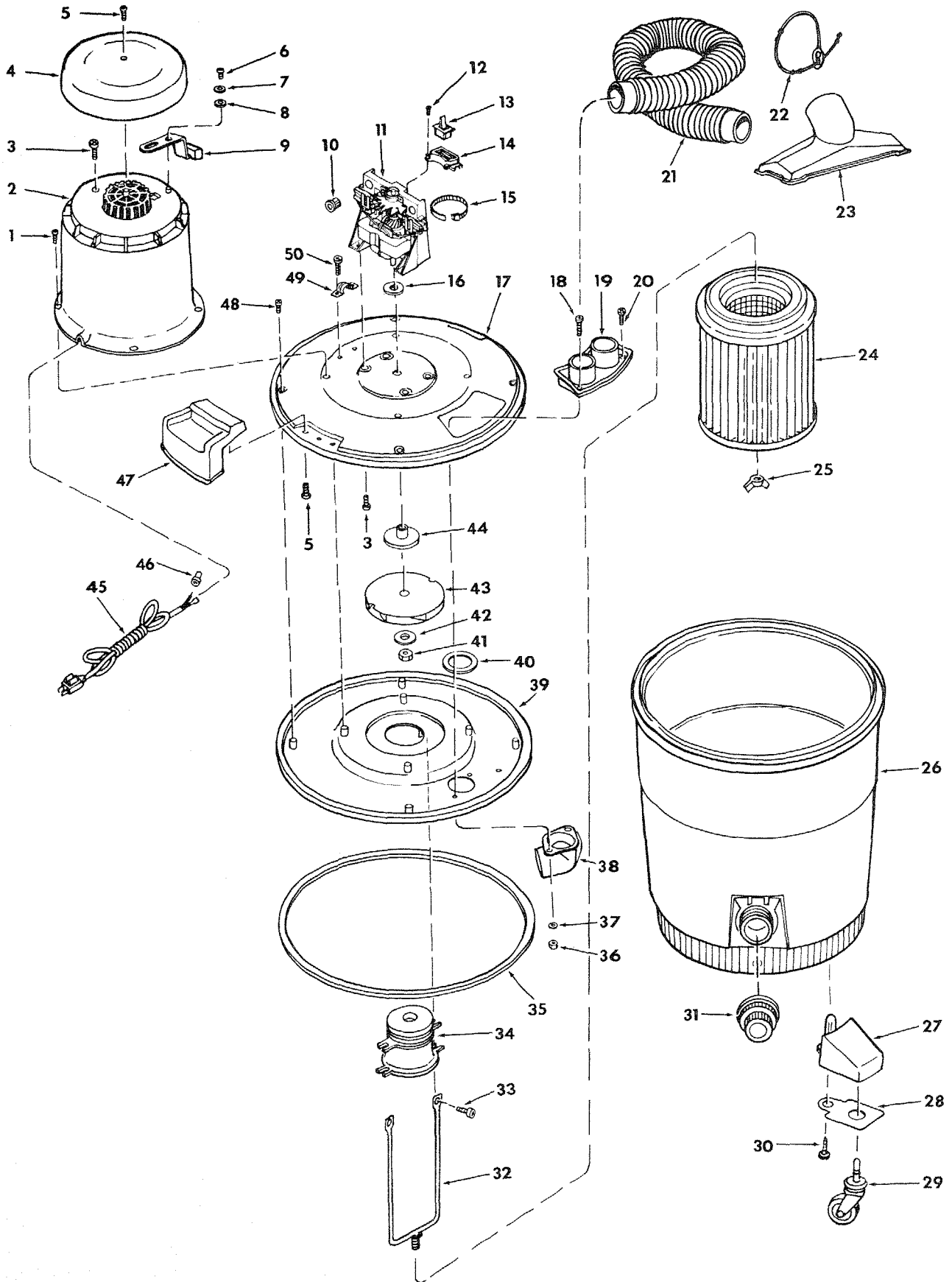


FIGURE 1
MOTOR ASSEMBLY 25996

Key No.	Part No.	Description
1	28932	Frame
2	15531	Ring, Pressure
3	23665	Armature Assembly (Includes Key No. 2)
4	V26003	Brush Assembly
5	28891	Retainer
6	STD600805	*Screw, Pan Cross Type T 8-32 x 1/2
7	15539	Bracket, Bearing
8	STD600803	*Screw, Pan Cross 8-32 x 7/16
9	19552	Clip
10	25916	Field Assembly

*Standard Hardware Item — May be Purchased Locally

PARTS LIST FOR 16 GALLON WET-DRY VAC 113.179881



PARTS LIST FOR 16 GALLON WET-DRY VAC 113.179881

FIGURE 2

Key No.	Part No.	Description
1	STD600803	*Screw, Pan Cross 8-32 x 7/16
2	22209	Cover Assembly
3	STD610803	*Screw, Pan Cross Type BT 8 x 3/8
4	73155	Dome
5	STD611007	*Screw, Pan Cross Type AB 10 x 5/8
6	STD610605	*Screw, Pan Cross Type BT 6 x 1/2
7	STD551006	*Washer, .156 x .404 x .033
8	17787	Washer, Spring
9	22210-01	Lever
10	24473	Bushing, Snap
11	25996	Motor Assembly
12	V 19002	Screw, Pan Cross Type T 6-32 x 3/4
13	20432	Switch
14	22188-01	Bracket, Switch
15	73120	Tie, Cable
16	V 22215	Gasket
17	73169	Collector
18	STD510810	Screw, Pan Rec. Hd. 8-32 x 1
19	22212-01	Ferrule
20	STD610807	*Screw, Pan Cross Type B 8 x 3/4
21	73150	Hose Assembly
22	73166	Strap, Hose
23	20557-01	Nozzle, Rectangular
24	73147	Filter Assembly
25	STD541625	*Nut, Wing, 1/4-20
26	73191	Drum Assembly (Includes Key No. 31)

Key No.	Part No.	Description
27	73187	Foot, Caster
28	73167	Support, Caster Foot
29	73102	Caster
30	STD611010	*Screw, Pan Cross Type AB No. 10 x 1
31	73185	Cap, Drain
32	27726-01	Guide Assembly
33	20605	Screw, Pan Cross Type T 10-24 x 1/2
34	22189	Float Assembly
35	25969	Gasket
36	STD541408	*Nut, Lock 8-32
37	STD551008	*Washer, 3/16 x 1/2 x 3/64
38	28229-01	Nozzle
39	28963	Lid Assembly (Includes Key No. 35)
40	20866	Gasket
41	STD541031	*Nut, Hex 5/16-18
42	15534	Washer
43	V 22220	Wheel Assembly
44	22192	Spacer
45	19693	Cord Assembly
46	STD375007	*Connector
47	73165	Handle
48	STD600802	*Screw, Pan Cross 8-32 x 5/16
49	24464	Clamp
50	STD610805	*Screw, Pan Cross Type AB 8 x 1/2
	73265	Owner's Manual (Not Illustrated)

*Standard Hardware Item — May be Purchased Locally



*owners
manual*

SERVICE

**MODEL NO.
113.179881
113.178772**

**HOW TO ORDER
REPAIR PARTS**

WET-DRY VAC

Now that you have purchased your Wet-Dry Vac, should a need ever exist for repair parts or service, simply contact any Sears Service Center and most Sears, Roebuck and Co. stores. See how to order repair parts below.

Model and serial number may be found on the Motor Cover of your Wet-Dry Vac.

WHEN ORDERING REPAIR PARTS, ALWAYS GIVE THE FOLLOWING INFORMATION:

PART NUMBER	PART DESCRIPTION
MODEL NUMBER 113.179881 OR 113.178772	NAME OF ITEM WET-DRY VAC

All parts listed may be ordered from any Sears Service Center and most Sears stores. If the parts you need are not stocked locally, your order will be electronically transmitted to a Sears Repair Parts Distribution Center for handling.

Sold by SEARS, ROEBUCK AND CO., Chicago, IL. 60684 U.S.A.