

# ELECTRIC DRYER INSTALLATION INSTRUCTIONS

## U.S.A. ONLY

Para una version de estas instrucciones en español, visite [www.Whirlpool.com](http://www.Whirlpool.com)

### TABLE OF CONTENTS

TABLE OF CONTENTS .....	1	VENTING.....	10
DRYER SAFETY.....	1	Venting Requirements.....	10
INSTALLATION REQUIREMENTS .....	2	Plan Vent System.....	11
Tools and Parts .....	2	Install Vent System.....	12
Optional Equipment .....	2	INSTALL LEVELING LEGS.....	12
Location Requirements .....	3	CONNECT VENT.....	12
ELECTRIC DRYER POWER HOOKUP .....	4	CONNECT INLET HOSE (STEAM MODELS).....	13
Electrical Requirements .....	4	LEVEL DRYER .....	13
Electrical Connection .....	5	COMPLETE INSTALLATION .....	13
		Reverse Door Swing.....	14
		TROUBLESHOOTING .....	15
		Dryer Operation.....	15
		Dryer Results .....	16

### DRYER SAFETY

#### Your safety and the safety of others are very important.

We have provided many important safety messages in this manual and on your appliance. Always read and obey all safety messages.



This is the safety alert symbol.

This symbol alerts you to potential hazards that can kill or hurt you and others.

All safety messages will follow the safety alert symbol and either the word "DANGER" or "WARNING."

These words mean:

 **DANGER**

You can be killed or seriously injured if you don't immediately follow instructions.

 **WARNING**

You can be killed or seriously injured if you don't follow instructions.

All safety messages will tell you what the potential hazard is, tell you how to reduce the chance of injury, and tell you what can happen if the instructions are not followed.



## WARNING - "Risk of Fire"

- Clothes dryer installation must be performed by a qualified installer.
- Install the clothes dryer according to the manufacturer's instructions and local codes.
- Do not install a clothes dryer with flexible plastic venting materials. If flexible metal (foil type) duct is installed, it must be of a specific type identified by the appliance manufacturer as suitable for use with clothes dryers. Flexible venting materials are known to collapse, be easily crushed, and trap lint. These conditions will obstruct clothes dryer airflow and increase the risk of fire.
- To reduce the risk of severe injury or death, follow all installation instructions.
- Save these instructions.

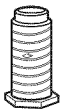
## INSTALLATION REQUIREMENTS

### Tools and Parts

Gather the required tools and parts before starting installation. Read and follow the instructions provided with any tools listed here.

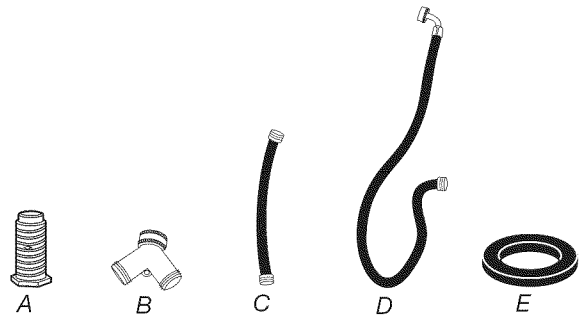
- Flat-blade screwdriver
- #2 Phillips screwdriver
- Adjustable wrench that opens to 1" (25 mm) or hex-head socket wrench (for adjusting dryer feet)
- Level
- Wire stripper (direct wire installations)
- Vent clamps
- Caulking gun and compound (for installing new exhaust vent)
- Tin snips (new vent installations)
- 1/4" nut driver (recommended)
- Tape measure
- Pliers

### Parts supplied: Non-Steam Models



4 Leveling legs

### Steam Models



A. Leveling legs (4)  
B. "Y" connector  
C. Short inlet hose

D. Inlet hose with right-angle connector  
E. Rubber washer

Remove parts package from dryer drum. Check that all parts are included.

**NOTE:** Do not use leveling legs supplied with dryer if installing on a pedestal.

### Parts needed

Check local codes. Check existing electrical supply and venting. See "Electrical Requirements" and "Venting Requirements" before purchasing parts.

Mobile home installations require metal exhaust system hardware available for purchase from the dealer from whom you purchased your dryer. For further information, please refer to the "Assistance or Service" section in your Use and Care Guide.

### Optional Equipment

Refer to your Use and Care guide for information about the accessories available for your dryer.

## Location Requirements

### ⚠ WARNING



#### Explosion Hazard

Keep flammable materials and vapors, such as gasoline, away from dryer.

Place dryer at least 18 inches (460 mm) above the floor for a garage installation.

Failure to do so can result in death, explosion, or fire.

#### You will need

- A location that allows proper exhaust installation. See “Venting Requirements.”
- A separate 30-amp circuit.
- If using a power supply cord, a grounded electrical outlet within 2 ft (610 mm) of either side of dryer. See “Electrical Requirements.”
- A sturdy floor to support total dryer weight of 200 lbs. (90.7 kg). Also consider combined weight of a companion appliance.
- A level floor with maximum slope of 1" (25 mm) under entire dryer. If slope is greater than 1" (25 mm), install Extended Dryer Feet Kit, Part Number 279810. Clothes may not tumble properly and automatic sensor cycles may not operate correctly if dryer is not level.
- For a garage installation, place dryer at least 18" (457 mm) above floor. If using a pedestal, you will need 18" (457 mm) to bottom of dryer.
- Steam models only: Cold water faucets located within 4 ft. (1.2 m) of dryer, and water pressure of 20-100 psi (137.9-689.6 kPa). Cold water supply may come from washer using “Y” connector provided.

Do not operate your dryer at temperatures below 45°F (7°C). At lower temperatures, the dryer may not shut off at the end of an automatic sensor cycle, possibly resulting in longer drying times.

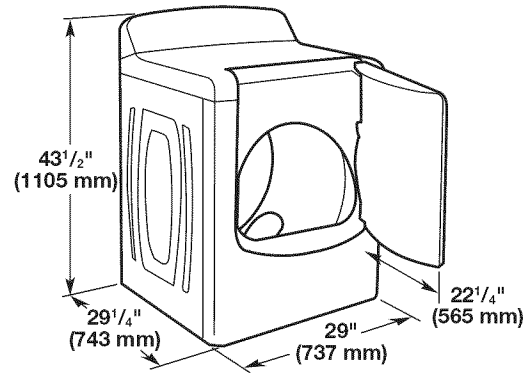
Do not install or store dryer where it will be exposed to water and/or weather.

Check code requirements. Some codes limit, or do not permit, installation of dryer in garages, closets, mobile homes, or sleeping quarters. Contact your local building inspector.

#### Installation clearances

Location must be large enough to allow dryer door to open fully.

## Dryer Dimensions

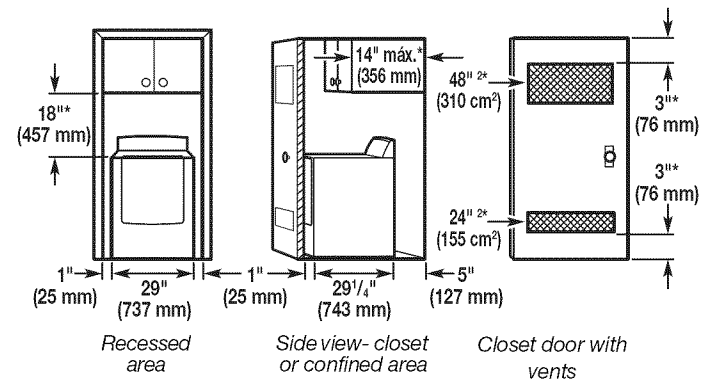


**NOTE:** Most installations require minimum 5" (127 mm) clearance for exhaust vent with elbow. See “Venting Requirements.”

#### Installation spacing for recessed area or closet installation

The following spacing dimensions are recommended for this dryer. Dryer has been tested for spacing of 0" (0 mm) clearance on sides and rear. Consider recommended spacing for following reasons:

- Consider additional spacing for ease of installation and service.
- May need additional clearance for wall, door, and floor moldings.
- Consider additional spacing on all sides of dryer to reduce noise transfer.
- For closet installation, with a door, minimum ventilation openings in the top and bottom of the door are required. Equivalent ventilation openings in louvered doors are acceptable.
- Consider spacing for companion appliance.
- Additional space required for rear exhaust of dryer to right or left.



\*Required spacing

#### Mobile home - Additional installation requirements

Dryer is suitable for mobile home installations. Installation must conform to Manufactured Home Construction and Safety Standard, Title 24 CFR, Part 3280 (formerly Federal Standard for Mobile Home Construction and Safety, Title 24, HUD Part 280) or Standard CAN/CSA-Z240 MH.

#### Mobile home installations require:

- Metal exhaust system hardware, available for purchase from your dealer.
- Special provisions must be made in mobile homes to introduce outside air into dryer. Openings (such as a nearby window) should be at least twice as large as dryer exhaust opening.

# ELECTRIC DRYER POWER HOOKUP

## Electrical Requirements

### It is your responsibility

- To contact a qualified electrical installer.
- To be sure that the electrical connection is adequate and in conformance with the National Electrical Code, ANSI/NFPA 70-latest edition and all local codes and ordinances.

The National Electrical Code requires a 4-wire power supply connection for homes built after 1996, dryer circuits involved in remodeling after 1996, and all mobile home installations.

A copy of the above code standards can be obtained from: National Fire Protection Association, One Batterymarch Park, Quincy, MA 02269.

- To supply the required 3 or 4 wire, single phase, 120/240 volt, 60 Hz., AC only electrical supply (or 3 or 4 wire, 120/208 volt electrical supply, if specified on the serial/rating plate) on a separate 30-amp circuit, fused on both sides of the line. A time-delay fuse or circuit breaker is recommended. Connect to an individual branch circuit. Do not have a fuse in the neutral or grounding circuit.
- Do not use an extension cord.
- If codes permit and a separate ground wire is used, it is recommended that a qualified electrician determine that the ground path is adequate.

### Electrical Connection

To properly install your dryer, you must determine the type of electrical connection you will be using and follow the instructions provided for it here.

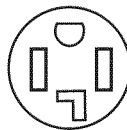
- This dryer is manufactured ready to install with a 3-wire electrical supply connection. The neutral ground conductor is permanently connected to the neutral conductor (white wire) within the dryer. If the dryer is installed with a 4-wire electrical supply connection, the neutral ground conductor must be removed from the external ground connector (green screw), and secured under the neutral terminal (center or white wire) of the terminal block. When the neutral ground conductor is secured under the neutral terminal (center or white wire) of the terminal block, the dryer cabinet is isolated from the neutral conductor.
- If local codes do not permit the connection of a neutral ground wire to the neutral wire, see "Optional 3-wire connection" section.
- A 4-wire power supply connection must be used when the appliance is installed in a location where grounding through the neutral conductor is prohibited. Grounding through the neutral is prohibited for (1) new branch-circuit installations, (2) mobile homes, (3) recreational vehicles, and (4) areas where local codes prohibit grounding through the neutral conductors.

### If using a power supply cord:

Use a UL listed power supply cord kit marked for use with clothes dryers. The kit should contain:

- A UL listed 30-amp power supply cord, rated 120/240 volt minimum. The cord should be type SRD or SRDT and be at least 4 ft. (1.22 m) long. The wires that connect to the dryer must end in ring terminals or spade terminals with upturned ends.
- A UL listed strain relief.

### If your outlet looks like this:



4-wire receptacle  
(14-30R)

Then choose a 4-wire power supply cord with ring or spade terminals and UL listed strain relief. The 4-wire power supply cord, at least 4 ft. (1.22 m) long, must have four 10-gauge copper wires and match a 4-wire receptacle of NEMA Type 14-30R. The ground wire (ground conductor) may be either green or bare. The neutral conductor must be identified by a white cover.

### If your outlet looks like this:



3-wire receptacle  
(10-30R)

Then choose a 3-wire power supply cord with ring or spade terminals and UL listed strain relief. The 3-wire power supply cord, at least 4 ft. (1.22 m) long, must have three 10-gauge copper wires and match a 3-wire receptacle of NEMA Type 10-30R.

### If connecting by direct wire:

Power supply cable must match power supply (4-wire or 3-wire) and be:

- Flexible armored cable or nonmetallic sheathed copper cable (with ground wire), protected with flexible metallic conduit. All current-carrying wires must be insulated.
- 10-gauge solid copper wire (do not use aluminum) at least 5 ft. (1.52 m) long.

## GROUNDING INSTRUCTIONS

- For a grounded, cord-connected dryer:  
This dryer must be grounded. In the event of malfunction or breakdown, grounding will reduce the risk of electric shock by providing a path of least resistance for electric current. This dryer uses a cord having an equipment-grounding conductor and a grounding plug. The plug must be plugged into an appropriate outlet that is properly installed and grounded in accordance with all local codes and ordinances.
- For a permanently connected dryer:  
This dryer must be connected to a grounded metal, permanent wiring system, or an equipment-grounding conductor must be run with the circuit conductors and connected to the equipment-grounding terminal or lead on the dryer.

**WARNING:** Improper connection of the equipment-grounding conductor can result in a risk of electric shock. Check with a qualified electrician or service representative or personnel if you are in doubt as to whether the dryer is properly grounded. Do not modify the plug on the power supply cord: if it will not fit the outlet, have a proper outlet installed by a qualified electrician.

**SAVE THESE INSTRUCTIONS**

## Electrical Connection

### **⚠ WARNING**



#### Fire Hazard

Use a new UL listed 30 amp power supply cord.

Use a UL listed strain relief.

Disconnect power before making electrical connections.

Connect neutral wire (white or center wire) to center terminal (silver).

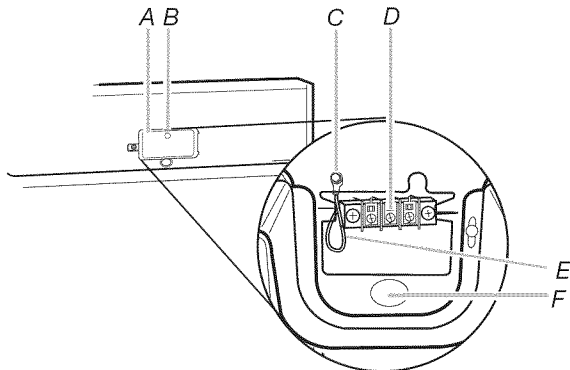
Ground wire (green or bare wire) must be connected to green ground connector.

Connect remaining 2 supply wires to remaining 2 terminals (gold).

Securely tighten all electrical connections.

Failure to do so can result in death, fire, or electrical shock.

1. Disconnect Power.
2. Remove hold-down screw and terminal block cover.



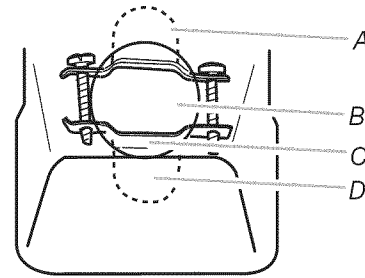
A. Terminal block cover  
B. Hold-down screw  
C. External ground conductor screw

D. Center, silver-colored terminal block screw  
E. Neutral ground wire  
F. Hole below terminal block opening

3. Install strain relief.

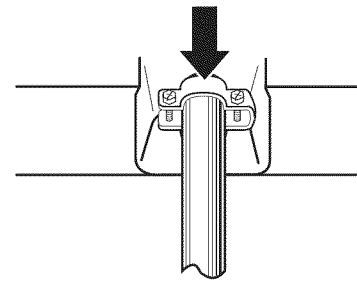
### Style 1: Power supply cord strain relief

- Remove screws from a 3/4" (19 mm) UL listed strain relief (UL marking on strain relief). Put tabs of the two clamp sections into hole below terminal block opening so that one tab is pointing up and the other is pointing down, and hold in place. Tighten strain relief screws enough to hold two clamp sections together.



A. Strain relief tab pointing up  
B. Hole below terminal block opening  
C. Clamp section  
D. Strain relief tab pointing down

- Put power supply cord through strain relief. Be sure that wire insulation on power supply cord is inside strain relief. Strain relief should have a tight fit with the dryer cabinet and be in a horizontal position. Do not further tighten strain relief screws at this point.



### Style 2: Direct wire strain relief

### **⚠ WARNING**



#### Fire Hazard

Use 10 gauge solid copper wire.

Use a UL listed strain relief.

Disconnect power before making electrical connections.

Connect neutral wire (white or center wire) to center terminal (silver).

Ground wire (green or bare wire) must be connected to green ground connector.

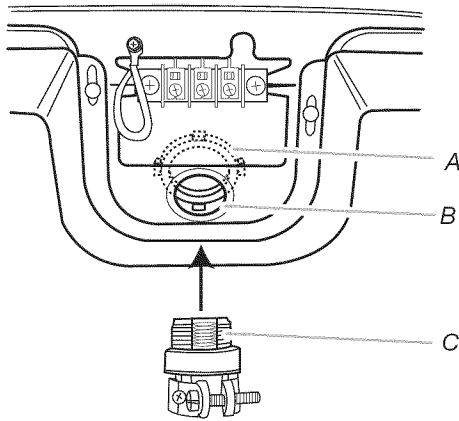
Connect remaining 2 supply wires to remaining 2 terminals (gold).

Securely tighten all electrical connections.

Failure to do so can result in death, fire, or electrical shock.

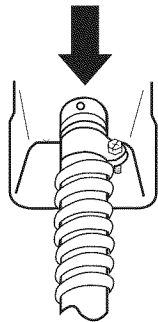
- Unscrew removable conduit connector and any screws from a 3/4" (19 mm) UL listed strain relief (UL marking on strain relief). Put threaded section of strain relief through hole below terminal block opening. Reaching inside terminal

block opening, screw removable conduit connector onto strain relief threads.



A. Removable conduit connector  
B. Hole below terminal block opening  
C. Strain relief threads

- Put direct wire cable through strain relief. Strain relief should have a tight fit with dryer cabinet and be in a horizontal position. Tighten strain relief screw against direct wire cable.


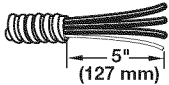



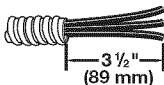
4. Now complete installation following instructions for your type of electrical connection:

**4-wire** (recommended)

**3-wire** (if 4-wire is not available)

#### Electrical Connection Options

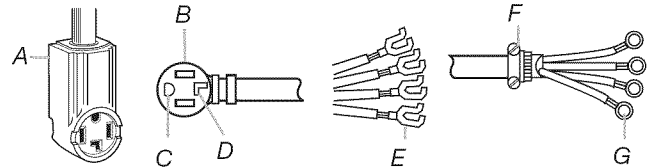
If your home has:	And you will be connecting to:	Go to Section
4-wire receptacle (NEMA Type 14-30R) 	A UL listed, 120/240-volt minimum, 30-amp, dryer power supply cord*	4-wire connection: Power supply cord
4-wire direct 	A fused disconnect or circuit breaker box*	4-wire connection: Direct Wire
3-wire receptacle (NEMA Type 10-30R) 	A UL listed, 120/240-volt minimum, 30-amp, dryer power supply cord*	3-wire connection: Power supply cord

If your home has:	And you will be connecting to:	Go to Section
3-wire direct 	A fused disconnect or circuit breaker box*	3-wire connection: Direct Wire

\*If local codes do not permit connection of a cabinet-ground conductor to the neutral wire, see "Optional 3-wire connection" section.

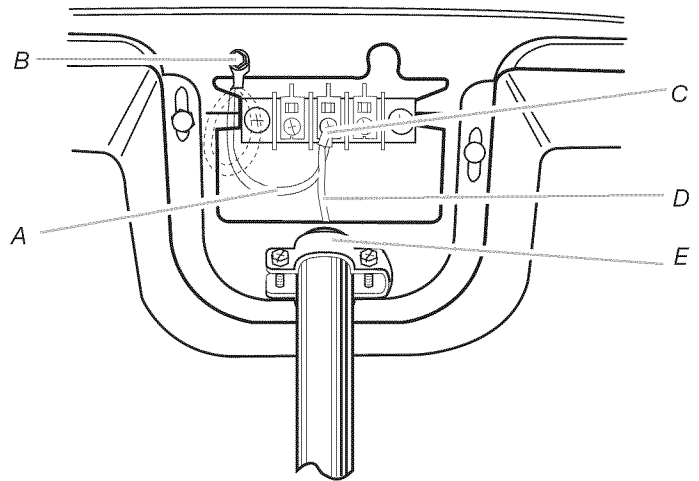
#### 4-wire connection: Power supply cord

**IMPORTANT:** A 4-wire connection is required for mobile homes and where local codes do not permit use of 3-wire connections.



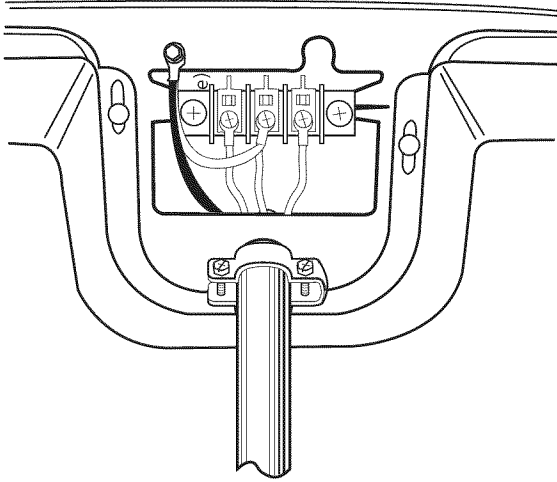
A. 4-wire receptacle (NEMA type 14-30R)  
B. 4-prong plug  
C. Ground prong  
D. Neutral prong  
E. Spade terminals with upturned ends  
F. 3/4" (19 mm) UL listed strain relief  
G. Ring terminals

- Remove center, silver-colored terminal block screw.
- Remove neutral ground wire from external ground conductor screw. Connect neutral ground wire and the neutral wire (white or center wire) of power supply cord under center, silver-colored terminal block screw. Tighten screw.



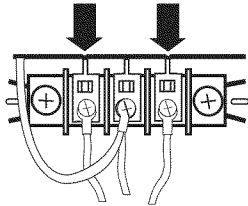
A. Neutral ground wire.  
B. Center, silver-colored terminal block screw  
C. External ground conductor screw - Dotted line shows position of NEUTRAL ground wire before being moved to center silver-colored terminal block screw  
D. Neutral wire (white or center wire)  
E. 3/4" (19 mm) UL listed strain relief

3. Connect ground wire (green or bare) of power supply cord to external ground conductor screw. Tighten screw.



- A. External ground conductor screw
- B. Neutral ground wire
- C. Ground wire (green or bare) of power supply cord
- D. 3/4" (19 mm) UL listed strain relief
- E. Center, silver-colored terminal block screw
- F. Neutral wire (white or center wire)

4. Connect the other wires to outer terminal block screws. Tighten screws.



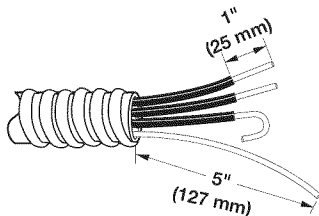
5. Tighten strain relief screws.
6. Insert tab of terminal block cover into slot of dryer rear panel. Secure cover with hold-down screw.
7. You have completed your electrical connection. Now go to "Venting Requirements."

#### 4-wire connection: Direct wire

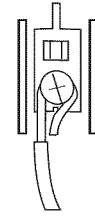
**IMPORTANT:** A 4-wire connection is required for mobile homes and where local codes do not permit the use of 3-wire connections.

Direct wire cable must have 5 ft. (1.52 m) of extra length so dryer can be moved if needed.

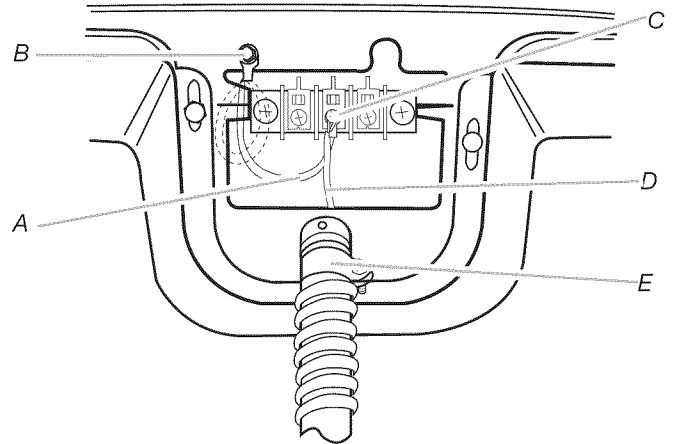
Strip 5" (127 mm) of outer covering from end of cable, leaving bare ground wire at 5" (127 mm). Cut 1 1/2" (38 mm) from 3 remaining wires. Strip insulation back 1" (25 mm). Shape ends of wires into a hook shape.



When connecting to the terminal block, place the hooked end of the wire under the screw of the terminal block (hook facing right), squeeze hooked end together and tighten screw, as shown.

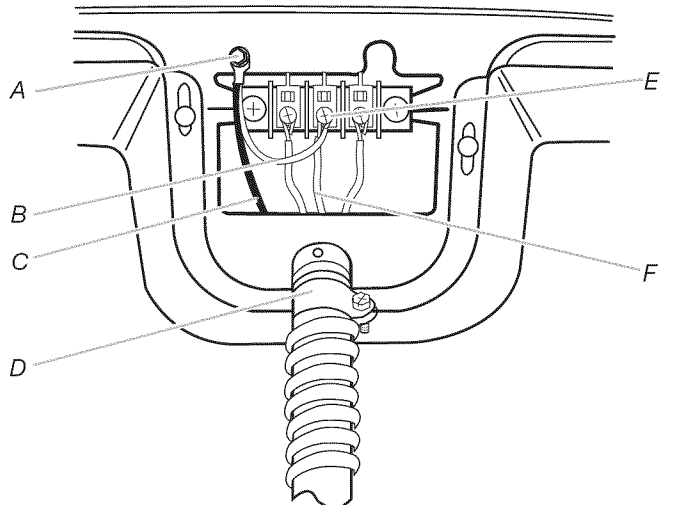


1. Remove center, silver-colored terminal block screw.
2. Remove neutral ground wire from external ground conductor screw. Connect neutral ground wire and place the hooked end (hook facing right) of the neutral wire (white or center wire) of direct wire cable under the center screw of the terminal block. Squeeze hooked ends together. Tighten screw.



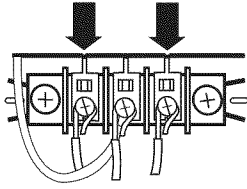
- A. Neutral ground wire.
- B. External ground conductor screw - Dotted line shows position of NEUTRAL ground wire before being moved to center, silver-colored terminal block screw
- C. Center, silver-colored terminal block screw
- D. Neutral wire (white or center wire)
- E. 3/4" (19 mm) UL listed strain relief

3. Connect ground wire (green or bare) of direct wire cable to external ground conductor screw. Tighten screw.



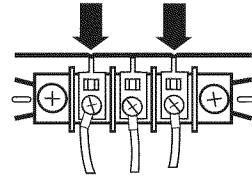
- A. External ground conductor screw
- B. Neutral ground wire
- C. Ground wire (green or bare) of power supply cable
- D. 3/4" (19 mm) UL listed strain relief
- E. Center, silver-colored terminal block screw
- F. Neutral wire (white or center wire)

- Place the hooked ends of the other direct wire cable wires under the outer terminal block screws (hooks facing right). Squeeze hooked ends together. Tighten screws.



- Tighten strain relief screw.
- Insert tab of terminal block cover into slot of dryer rear panel. Secure cover with hold-down screw.
- You have completed your electrical connection. Now go to "Venting Requirements."

- Connect the other wires to outer terminal block screws. Tighten screws.



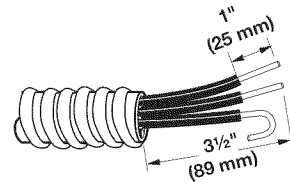
- Tighten strain relief screws.
- Insert tab of terminal block cover into slot of dryer rear panel. Secure cover with hold-down screw.
- You have completed your electrical connection. Now go to "Venting Requirements."

### 3-wire connection: Direct wire

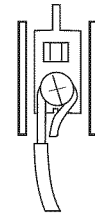
#### Use where local codes permit connecting cabinet-ground conductor to neutral wire.

Direct wire cable must have 5 ft. (1.52 m) of extra length so dryer can be moved if needed.

Strip 3 1/2" (89 mm) of outer covering from end of cable. Strip insulation back 1" (25 mm). If using 3-wire cable with ground wire, cut bare wire even with outer covering. Shape ends of wires into a hook shape.



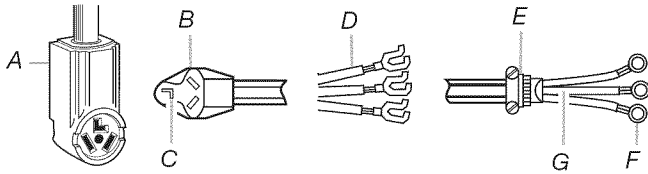
When connecting to the terminal block, place the hooked end of the wire under the screw of the terminal block (hook facing right), squeeze hooked end together and tighten screw, as shown.



- Loosen or remove center, silver-colored terminal block screw.

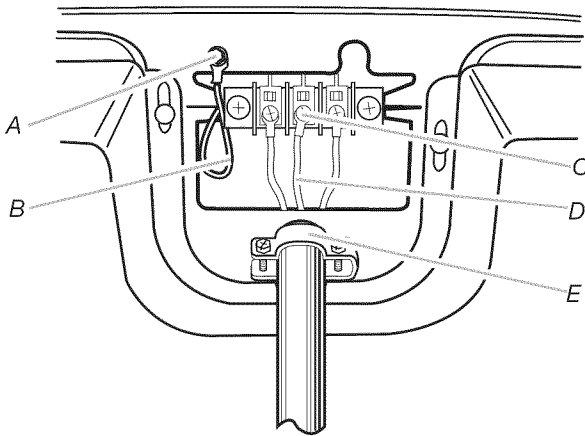
### 3-wire connection: Power supply cord

#### Use where local codes permit connecting cabinet-ground conductor to neutral wire.



- A. 3-wire receptacle (NEMA type 10-30R)
- B. 3-wire plug
- C. Neutral prong
- D. Spade terminals with up turned ends
- E. 3/4" (19 mm) UL listed strain relief
- F. Ring terminals
- G. Neutral (white or center wire)

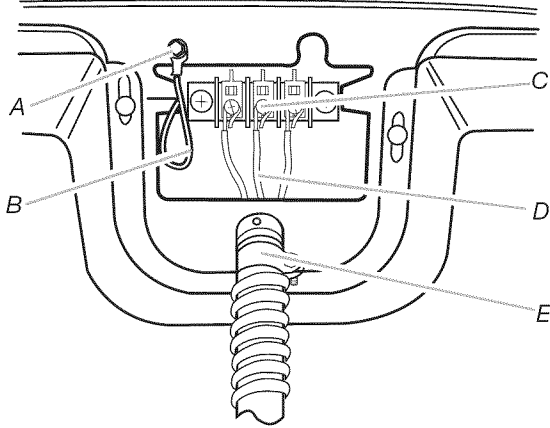
- Loosen or remove center, silver-colored terminal block screw.
- Connect neutral wire (white or center wire) of power supply cord to the center, silver-colored terminal screw of the terminal block. Tighten screw.



- A. External ground conductor screw
- B. Neutral ground wire
- C. Center, silver-colored terminal block screw
- D. Neutral wire (white or center wire)
- E. 3/4" (19 mm) UL listed strain relief

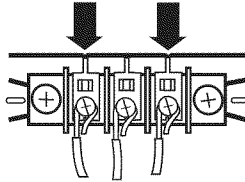


- Place the hooked end of the neutral wire (white or center wire) of direct wire cable under the center screw of terminal block (hook facing right). Squeeze hooked end together. Tighten screw.



D. Neutral wire (white or center wire)  
E. 3/4" (19 mm) UL listed strain relief

- Place the hooked ends of the other direct wire cable wires under the outer terminal block screws (hooks facing right). Squeeze hooked ends together. Tighten screws.



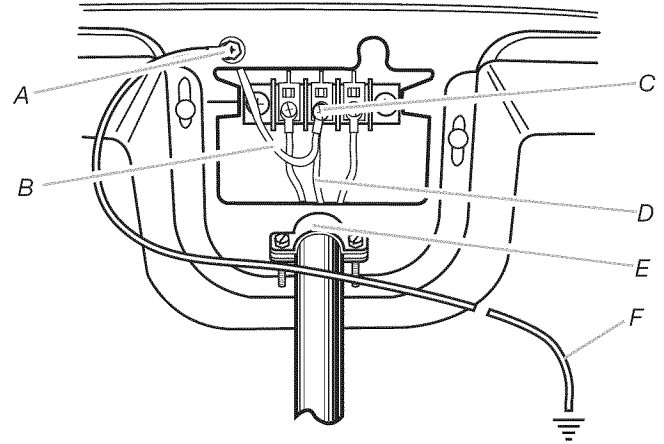
- Tighten strain relief screw.
- Insert tab of terminal block cover into slot of dryer rear panel. Secure cover with hold-down screw.
- You have completed your electrical connection. Now go to "Venting Requirements."

### Optional 3-wire connection

Use for direct wire or power supply cord where local codes do not permit connecting cabinet-ground conductor to neutral wire.

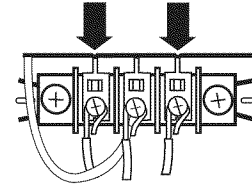
- Remove center, silver-colored terminal block screw.

- Remove neutral ground wire from external ground conductor screw. Connect neutral ground wire and the neutral wire (white or center wire) of power supply cord/cable under center, silver-colored terminal block screw. Tighten screw.



A. External ground conductor screw  
B. Neutral ground wire  
C. Center, silver-colored terminal block screw  
D. Neutral wire (white or center wire)  
E. 3/4" (19 mm) UL listed strain relief  
F. Grounding path determined by a qualified electrician

- Connect the other wires to outer terminal block screws. Tighten screws.



- Tighten strain relief screws.
- Insert tab of terminal block cover into slot of dryer rear panel. Secure cover with hold-down screw.
- Connect a separate copper ground wire from the external ground conductor screw to an adequate ground.

# VENTING

## Venting Requirements

### ⚠ WARNING



#### Fire Hazard

Use a heavy metal vent.

Do not use a plastic vent.

Do not use a metal foil vent.

Failure to follow these instructions can result in death or fire.

**WARNING:** To reduce the risk of fire, this dryer MUST BE EXHAUSTED OUTDOORS.

**IMPORTANT:** Observe all governing codes and ordinances.

The dryer exhaust must not be connected into any gas vent, chimney, wall, ceiling, attic, crawlspace, or a concealed space of a building. Only rigid or flexible metal vent shall be used for exhausting.

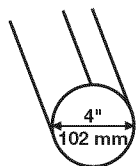
### If using an existing vent system

- Clean lint from the entire length of the system and make sure exhaust hood is not plugged with lint.
- Replace any plastic or metal foil vent with rigid or flexible heavy metal vent.
- Review vent system chart. Modify existing vent system if necessary to achieve the best drying performance.

### If this is a new vent system

#### Vent material

- Use a heavy metal vent. Do not use plastic or metal foil vent.
- 4" (102 mm) heavy metal exhaust vent and clamps must be used.



4" (102 mm) heavy metal exhaust vent

Vent products can be purchased from your dealer or by calling Whirlpool Service. For more information, see the "Assistance or Service" section in your Use and Care Guide.

#### Rigid metal vent

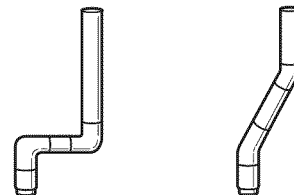
- For best drying performance, rigid metal vents are recommended.
- Rigid metal vent is recommended to avoid crushing and kinking.

#### Flexible metal vent

- Flexible metal vents are acceptable only if accessible for cleaning.
- Flexible metal vent must be fully extended and supported when the dryer is in its final location.
- Remove excess flexible metal vent to avoid sagging and kinking that may result in reduced airflow and poor performance.
- Do not install flexible metal vent in enclosed walls, ceilings, or floors.
- The total length of flexible metal vent should not exceed 7¼ ft. (2.4 m).

#### Elbows

45° elbows provide better airflow than 90° elbows.

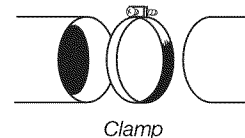


Good

Better

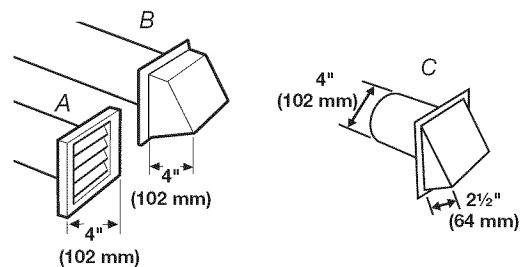
#### Clamps

- Use clamps to seal all joints.
- Exhaust vent must not be connected or secured with screws or other fastening devices that extend into the interior of the duct and catch lint. Do not use duct tape.



Clamp

#### Exhaust



Recommended:

- A. Louvered hood style
- B. Box hood style

Acceptable:

- C. Angled hood style

- An exhaust hood should cap the vent to keep rodents and insects from entering the home.
- Exhaust hood must be at least 12" (305 mm) from the ground or any object that may be in the path of the exhaust (such as flowers, rocks or bushes, snow line, etc.).
- Do not use an exhaust hood with a magnetic latch.

**Improper venting can cause moisture and lint to collect indoors, which may result in:**

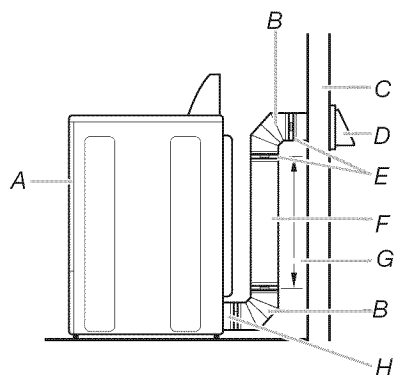
- Moisture damage to woodwork, furniture, paint, wallpaper, carpets, etc.
- Housecleaning problems and health problems.

## Plan Vent System

### Choose your exhaust installation type

#### Recommended exhaust installations

Typical installations vent the dryer from the rear of the dryer.



- |                 |  |
|-----------------|--|
| A. Dryer        | E. Clamps                                  |
| B. Elbow        | F. Rigid metal or flexible metal vent      |
| C. Wall         | G. Vent length necessary to connect elbows |
| D. Exhaust hood | H. Exhaust outlet                          |

#### Optional exhaust installations

**⚠ WARNING**



#### Fire Hazard

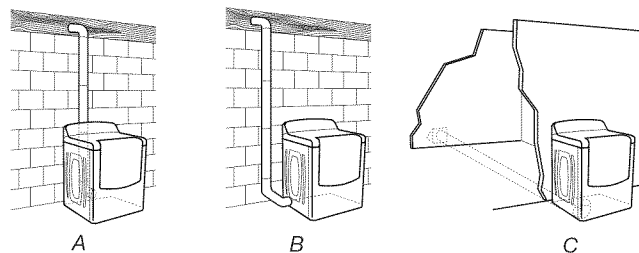
**Cover unused exhaust holes with a manufacturer's exhaust cover kit.**

**Contact your local dealer.**

**Failure to follow these instructions can result in death, fire, electrical shock, or serious injury.**

- Exhaust Cover Kit (to cover unused exhaust holes);  
Part Number W10186596 - all models

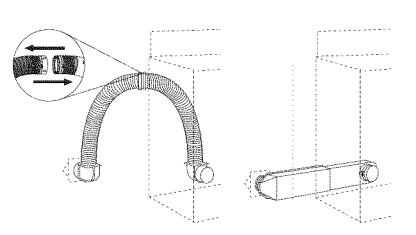
This dryer can be converted to exhaust out the right side, left side or through the bottom. If you prefer, you may contact your local dealer to have the dryer converted.



- A. Standard rear offset exhaust installation  
B. Left or right side exhaust installation  
C. Bottom exhaust installation

#### Alternate installations for close clearances

Venting systems come in many varieties. Select the type best for your installation. Two close-clearance installations are shown. Refer to the manufacturer's instructions.



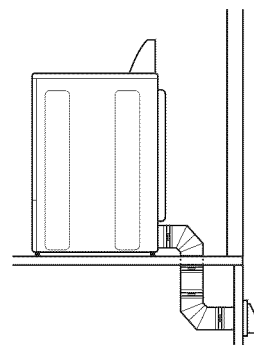
- A. Over-the-top installation (also available with one offset elbow)  
B. Periscope installation

**NOTE:** The following kits for close clearance alternate installations are available for purchase. Please see the "Assistance or Service" section in your Use and Care Guide to order.

- Over-the-Top Installation:  
Part Number 4396028
- Periscope Installation (For use with dryer vent to wall vent mismatch):  
Part Number 4396037 - 0" (0 mm) to 18" (457 mm) mismatch  
Part Number 4396011 - 18" (457 mm) to 29" (737 mm) mismatch  
Part Number 4396014 - 29" (737 mm) to 50" (1.27 m) mismatch

#### Special provisions for mobile home installations

The exhaust vent must be securely fastened to a noncombustible portion of the mobile home structure and must not terminate beneath the mobile home. Terminate the exhaust vent outside.



## Determine vent path

- Select the route that will provide the straightest and most direct path outdoors.
- Plan the installation to use the fewest number of elbows and turns.
- When using elbows or making turns, allow as much room as possible.
- Bend vent gradually to avoid kinking.
- Use the fewest 90° turns possible.

## Determine vent length and elbows needed for best drying performance

- Use the following vent system chart to determine type of vent material and hood combinations acceptable to use.

**NOTE:** Do not use vent runs longer than those specified in the Vent system chart.

Exhaust systems longer than those specified will:

- Shorten the life of the dryer.
- Reduce performance, resulting in longer drying times and increased energy usage.

The vent system chart provides venting requirements that will help to achieve the best drying performance.

### Vent system chart

**NOTE:** Side and bottom exhaust installations have a 90° turn inside the dryer. To determine maximum exhaust length, add one 90° turn to the chart.

Number 90° elbows	Type of vent	Box /louvered hoods	Angled hoods
0	Rigid metal	64 ft. (20 m)	58ft. (17.7 m)
1	Rigid metal	54 ft. (16.5 m)	48 ft. (14.6 m)
2	Rigid metal	44 ft. (13.4 m)	38 ft. (11.6 m)
3	Rigid metal	35 ft. (10.7 m)	29 ft. (8.8 m)
4	Rigid metal	27 ft. (8.2 m)	21 ft. (6.4 m)

## Install Vent System

1. Install exhaust hood. Use caulking compound to seal exterior wall opening around exhaust hood.
2. Connect vent to exhaust hood. Vent must fit inside exhaust hood. Secure vent to exhaust hood with 4" (102 mm) clamp.
3. Run vent to dryer location. Use the straightest path possible. See "Determine vent path" in "Plan Vent System." Avoid 90° turns. Use clamps to seal all joints. Do not use duct tape, screws or other fastening devices that extend into the interior of the vent to secure vent, which can catch lint.

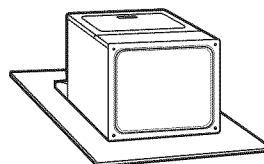
## INSTALL LEVELING LEGS

### WARNING

#### Excessive Weight Hazard

**Use two or more people to move and install dryer.  
Failure to do so can result in back or other injury.**

1. To avoid damaging the floor, use a large flat piece of cardboard from the dryer carton. Place cardboard under the entire back edge of the dryer.
2. Firmly grasp the body of the dryer (not the console panel). Gently lay the dryer on the cardboard. See illustration.



3. Examine the leveling legs. Find the diamond marking.



4. Screw the legs into the leg holes by hand. Use a wrench to finish turning the legs until the diamond marking is no longer visible.
5. Place a carton corner post from dryer packaging under each of the 2 dryer back corners. Stand the dryer up. Slide the dryer on the corner posts until it is close to its final location. Leave enough room to connect the exhaust vent.

## CONNECT VENT

1. Using a 4" (102 mm) clamp, connect vent to exhaust outlet in dryer. If connecting to existing vent, make sure the vent is clean. The dryer vent must fit over the dryer exhaust outlet and inside the exhaust hood. Check that the vent is secured to exhaust hood with a 4" (102 mm) clamp.
2. Move dryer into its final location. Do not crush or kink vent.
3. Once the exhaust vent connection is made, remove the corner posts and cardboard.

## CONNECT INLET HOSE (STEAM MODELS)

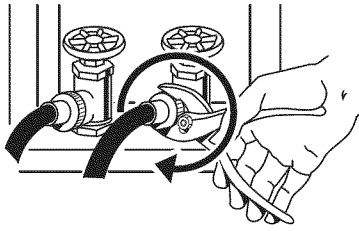
The dryer must be connected to the cold water faucet using the new inlet hoses. Do not use old hoses.

1. Turn cold water faucet off and remove washer inlet hose.
2. Remove old rubber washer from inlet hose and replace with new rubber washer provided. If space permits, attach the brass female end of the "Y" connector to the cold water faucet.

**NOTE:** If "Y" connector can be attached directly to cold water faucet, go to Step 6. If "Y" connector cannot be attached directly to the cold water faucet, the short hose must be used. Continue with Step 3.

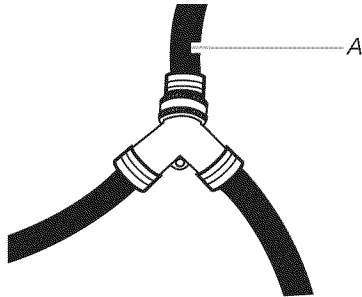
3. Attach short hose to cold water faucet. Screw on coupling by hand until it is seated on faucet.

- Using pliers, tighten the couplings with an additional two-thirds turn.



**NOTE:** Do not overtighten. Damage to the coupling can result.

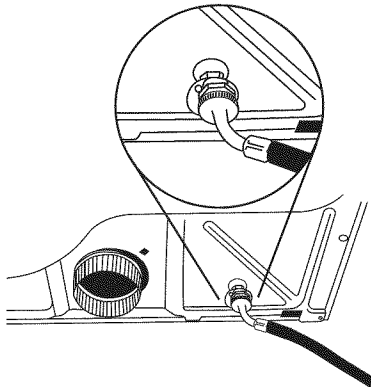
- Attach “Y” connector to brass male end of small hose. Screw on coupling by hand until it is seated on connector.
- Attach straight end of long hose to “Y” connector.
- Attach washer cold inlet hose to other end of “Y” connector. Screw on coupling by hand until it is seated on connector.
- Using pliers, tighten the couplings an additional two-thirds turn.



A. Inlet to cold water

**NOTE:** Do not overtighten. Damage to the coupling can result.

- Attach angled end of long hose to fill valve at bottom of dryer back panel. Screw on coupling by hand until it is seated on fill valve connector.
- Using pliers, tighten the coupling an additional two-thirds turn.

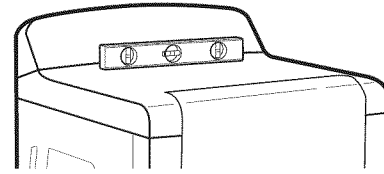


**NOTE:** Do not overtighten. Damage to the coupling can result.

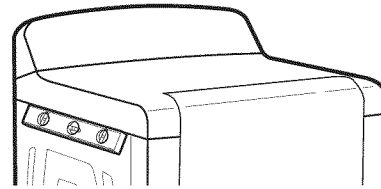
- Check that the water faucets are on.
- Check for leaks around “Y” connector, faucet, and hoses.

## LEVEL DRYER

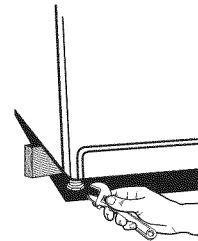
Check the levelness of the dryer by first placing a level on the top of the dryer near the console.



Then, by placing a level in the crease on the side of the dryer between the top of the dryer and the dryer cabinet, check the levelness from front to back.



If the dryer is not level, prop up the dryer using a wood block. Use a wrench to adjust the legs up or down and check again for levelness.



## COMPLETE INSTALLATION

- Check that all parts are now installed. If there is an extra part, go back through the steps to see which step was skipped.
- Check that you have all of your tools.
- Dispose of/recycle all packaging materials.
- Check the dryer's final location. Be sure the vent is not crushed or kinked.
- Check that the dryer is level. See “Level Dryer.”
- Remove the blue film on the console and any tape remaining on the dryer.
- Wipe the dryer drum interior thoroughly with a damp cloth to remove any dust.
- Read “Dryer Use” in your Use and Care Guide.
- For power supply cord installation, plug into a grounded outlet. For direct wire installation, turn on power.

### Steam Models Only:

- Be sure the water faucets are on.
- Check for leaks around “Y” connector, faucet, and hoses.
- If you live in a hard water area, use of a water softener is recommended to control the buildup of scale through the water system in the dryer. Over time, the buildup of lime scale may clog different parts of the water system, which will reduce product performance. Excessive scale buildup may lead to the need for certain part replacement or repair.

**All Models:**

13. Select a Timed Dry heated cycle, and start the dryer. Do not select the Air Only Temperature setting.

**If the dryer will not start, check the following:**

- Controls are set in a running or "On" position.
- Start button has been pushed firmly.
- Dryer is plugged into an outlet and/or electrical supply is connected.
- Household fuse is intact and tight, or circuit breaker has not tripped.
- Dryer door is closed.

This dryer automatically runs an installation diagnostic routine at the start of its first cycle.

**If you receive an L2 code, there may be a problem with your home power supply keeping the dryer's heater from turning on.** See "Troubleshooting."

**If you receive an AF code, your dryer vent may be crushed or blocked.** See "Troubleshooting."

**NOTE:** You may notice an odor when the dryer is first heated. This odor is common when the heating element is first used. The odor will go away.

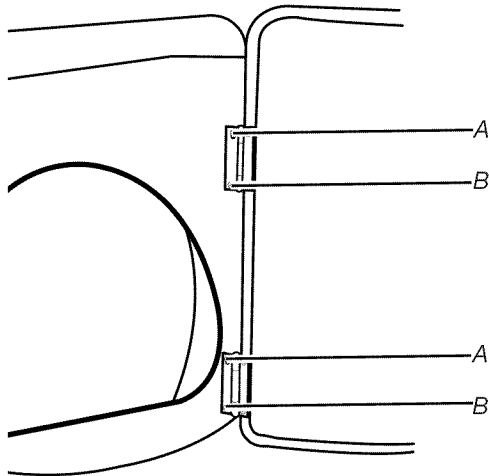
## REVERSE DOOR SWING

You can change your door swing from a right-side opening to a left-side opening, if desired.

1. Place a towel or soft cloth on top of dryer or work space to avoid damaging the surface.

**Remove the door assembly**

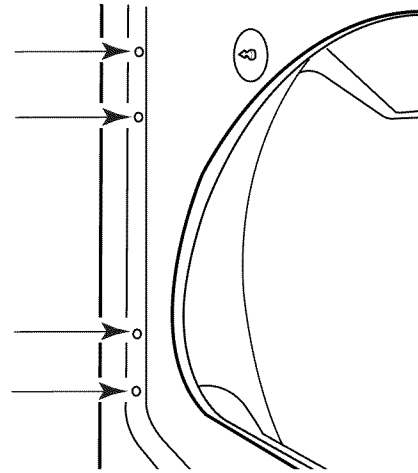
1. Open the dryer door.
2. Remove the bottom screw from each of the 2 hinges that attach dryer door to front panel of dryer.
3. Loosen the top screw from each of the 2 hinges in Step 2.



A. Loosen these screws.  
B. Remove these screws.

4. Remove the dryer door and the hinges by lifting upward on the door. Lay the door on a flat, protected surface, with the inside of the door facing up. Remove remaining 2 loose screws from dryer front panel.

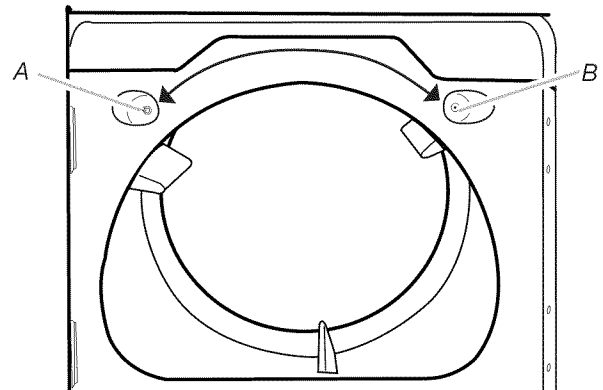
5. Remove the 4 plastic plugs located outside the dryer door opening.



6. Install 4 plastic plugs into screw holes in the dryer left where the hinges were removed in Step 4.

**Reverse the strike**

1. Remove the door strike from the dryer door opening.
2. Remove the cosmetic screw opposite the door strike.



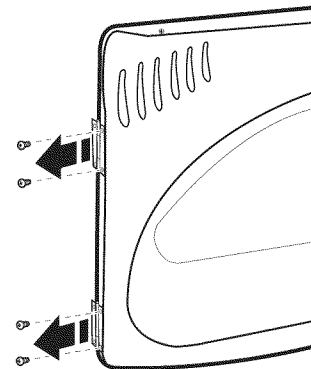
A. Door strike  
B. Cosmetic screw

3. Reinstall the door strike and cosmetic screw on the opposite side of the dryer door opening from where they were removed.

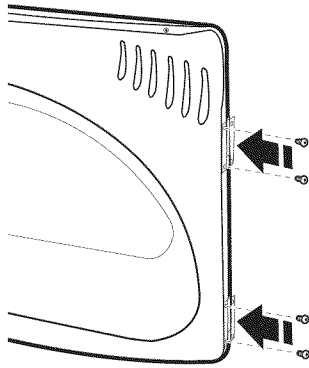
**NOTE:** Door strike and plugs must be on the same side of the dryer door opening.

**Reinstall the door**

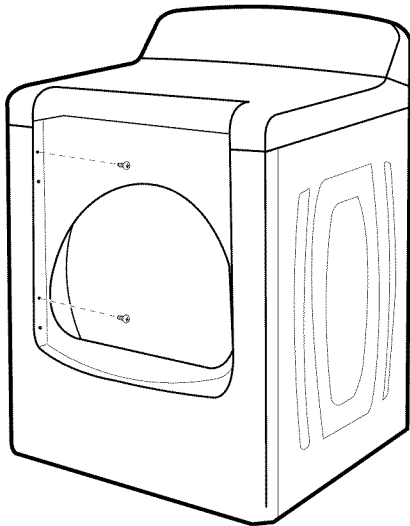
1. Remove the 4 screws and 2 hinges from the dryer door.
2. Replace the 4 screws in the same holes.



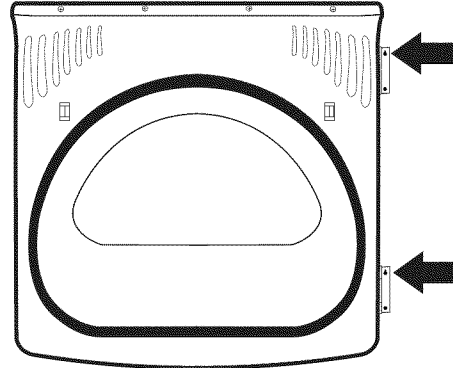
- Remove the 4 screws from the opposite side of the door.



- Install the 2 hinges to the front panel of the dryer using 4 screws. Use the non-slotted side to attach the hinge to the front panel.
- Install screws in top hinge holes in the door. Do not tighten screws. Leave approximately 1/4" (5 mm) of screw exposed.



- Hang door by placing screw heads into top slotted holes of hinges and slide door down. Align bottom screw holes in hinge and door. Install two bottom screws. Tighten all hinge screws.



- Close door to engage door strike.

## TROUBLESHOOTING

First try the solutions suggested here and possibly avoid the cost of a service call...

### Dryer Operation

#### Dryer will not run

- Has a household fuse blown, or has a circuit breaker tripped?**  
 There may be 2 household fuses or circuit breakers for the dryer. Check that both fuses are intact and tight, or that both circuit breakers have not tripped. Replace the fuse or reset the circuit breaker. If the problem continues, call an electrician.
- Is the correct power supply available?**  
 Electric dryers require 240-volt power supply. Check with a qualified electrician.
- Was a regular fuse used?**  
 Use a time-delay fuse.

#### No heat

- Has a household fuse blown, or has a circuit breaker tripped?**  
 The drum may be turning, but you may not have heat. Electric dryers use 2 household fuses or circuit breakers. Replace the fuse or reset the circuit breaker. If the problem continues, call an electrician.

#### Dryer displaying code message

- "PF" (power failure), check the following:**  
 Was the drying cycle interrupted by a power failure? Press and hold START to restart the dryer.
- "L2" Diagnostic Code (low or no line voltage condition):**  
 The drum will turn, but there may be a problem with your home power supply keeping the dryer's heater from turning on. The dryer will continue to run when this diagnostic code is present.

Press any key to clear the code from the display and return to the estimated time remaining.

**Try the following:**

Check to see if a household fuse has blown or circuit breaker has tripped. Electric dryers use two household fuses or breakers. Replace the fuse or reset the circuit breaker.

Confirm the power cord is properly installed. Refer to "Electrical Connection" for details.

Select a Timed Dry heated cycle, and restart the dryer.

If the message persists, consult a qualified electrician.

■ **"AF" (low airflow condition):**

The dryer will continue to run when this diagnostic code is present. Press any key to clear the code from the display and return to the estimated time remaining.

■ **Try the following:**

Clean lint screen.

■ Check to see if the vent run from the dryer to the wall is crushed or kinked.

■ Confirm the vent run from the dryer to the wall is free of lint and debris.

■ Confirm the exterior vent exhaust hood is free of lint and debris.

■ Confirm your vent system falls within the recommended run length and number of elbows for the type of vent you are using. Refer to "Plan Vent System" for details.

■ Select a Timed Dry heated cycle, and restart the dryer.

If the message persists, have your entire home venting run cleaned.

■ **"E" Variable (E1, E2, E3) service codes:**

Call for service.

## Dryer Results

**Clothes are not drying satisfactorily, drying times are too long, or load is too hot**

■ **Is the lint screen clogged with lint?**

Lint screen should be cleaned before each load.

### **WARNING**



#### **Fire Hazard**

**Use a heavy metal vent.**

**Do not use a plastic vent.**

**Do not use a metal foil vent.**

**Failure to follow these instructions can result in death or fire.**

■ **Is the exhaust vent or outside exhaust hood clogged with lint, restricting air movement?**

Run the dryer for 5-10 minutes. Hold your hand under the

outside exhaust hood to check air movement. If you do not feel air movement, clean exhaust system of lint or replace exhaust vent with heavy metal or flexible metal vent. See the Installation Instructions.

■ **Are fabric softener sheets blocking the grille?**

Use only one fabric softener sheet, and use it only once.

■ **Is the exhaust vent the correct length?**

Check that the exhaust vent is not too long or has too many turns. Long venting will increase drying times. See the Installation Instructions.

■ **Is the exhaust vent diameter the correct size?**

Use 4" (102 mm) diameter vent material.

### **WARNING**



#### **Explosion Hazard**

**Keep flammable materials and vapors, such as gasoline, away from dryer.**

**Place dryer at least 18 inches (460 mm) above the floor for a garage installation.**

**Failure to do so can result in death, explosion, or fire.**

■ **Is the dryer located in a room with temperature below 45°F (7°C)?**

Proper operation of dryer cycles requires temperatures above 45°F (7°C).

■ **Is the dryer located in a closet?**

Closet doors must have ventilation openings at the top and bottom of the door. The front of the dryer requires a minimum of 1" (25 mm) of airspace, and, for most installations, the rear of the dryer requires 5" (127 mm). See the Installation Instructions.