



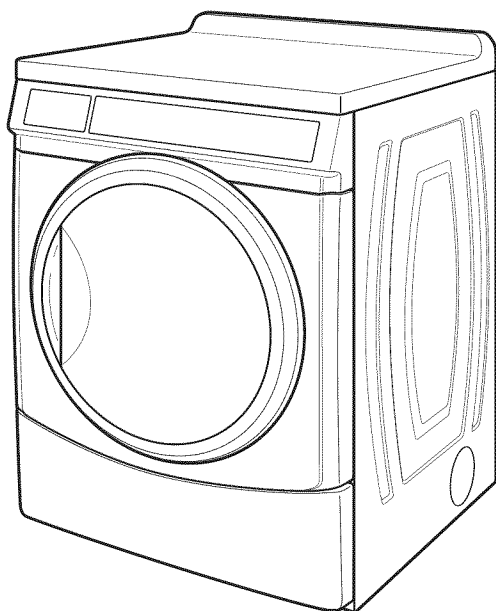
COMMERCIAL HE DRYER INSTALLATION INSTRUCTIONS
Electric

INSTRUCTIONS D'INSTALLATION D'UN SECHE-LINGE HE COMMERCIAL
Electrique

INSTRUCCIONES DE INSTALACIÓN – SECADORA HE COMERCIAL
Eléctrica

ISTRUZIONI D'INSTALLAZIONE – ASCIUGATRICE HE COMMERCIALE
Elettrica

**INSTALLATIONSANLEITUNG FÜR DEN PROFESSIONELLEN
HE-WÄSCHETROCKNER**
Elektrischer Betrieb



3LCED9100

W10306597A

TABLE OF CONTENTS

DRYER SAFETY	3	INSTALLATION INSTRUCTIONS – ELECTRIC DRYER	7
DRYER DISPOSAL	3	Install Leveling Legs	7
INSTALLATION REQUIREMENTS	4	Electrical Connection	8
Tools and Parts	4	Connect Vent	8
Location Requirements.....	4	Complete Installation	8
Electrical Requirements	5	MAINTENANCE INSTRUCTIONS	8
Venting Requirements	6	ASSISTANCE OR SERVICE	8
		REVERSING THE DOOR SWING	9
		ELECTRONIC CONTROL SETUP	11

TABLE DES MATIERES

SECURITE DU SECHE-LINGE	12	INSTRUCTIONS D'INSTALLATION – SECHE-LINGE	
ELIMINATION DU SECHE-LINGE	12	ELECTRIQUE	17
EXIGENCES D'INSTALLATION	13	Installation des pieds de nivellement.....	17
Outillage et pièces	13	Raccordement électrique	17
Exigences d'emplacement	13	Raccordement du conduit d'évacuation	17
Spécifications électriques	14	Achever l'installation	18
Exigences concernant l'évacuation	15	INSTRUCTIONS D'ENTRETIEN	18
		ASSISTANCE OU SERVICE	18
		INVERSION DU SENS D'OUVERTURE DE LA PORTE	19
		REGLAGE DE LA CARTE	
		DE CIRCUITS ELECTRONIQUES	21

ÍNDICE

SEGURIDAD DE LA SECADORA	22	INSTRUCCIONES DE INSTALACIÓN –	
ELIMINACIÓN DE LA SECADORA	22	SECADORA ELÉCTRICA	26
REQUISITOS DE INSTALACIÓN	23	Instalación de las patas niveladoras	26
Piezas y herramientas	23	Conexión eléctrica	27
Requisitos de ubicación.....	23	Conexión del conducto de escape	27
Requisitos eléctricos	24	Complete la instalación	27
Requisitos de ventilación	25	INSTRUCCIONES DE MANTENIMIENTO	27
		AYUDA O SERVICIO TÉCNICO	27
		CÓMO INVERTIR EL SENTIDO DE APERTURA	
		DE LA PUERTA	28
		PROGRAMACIÓN DEL CONTROL ELECTRÓNICO	30

INDICE

SICUREZZA DELL'ASCIUGATRICE	31	ISTRUZIONI D'INSTALLAZIONE – ASCIUGATRICE	
L'ELIMINAZIONE DELL'ASCIUGATRICE	31	ELETTRICA	35
REQUISITI D'INSTALLAZIONE	32	Installazione dei piedini di regolazione	35
Attrezzi e componenti.....	32	Connessione elettrica	36
Requisiti per il posizionamento	32	Connessione dello scarico	36
Requisiti elettrici	33	Completamento dell'installazione	36
Requisiti di scarico	34	ISTRUZIONI DI MANUTENZIONE	36
		ASSISTENZA O MANUTENZIONE	36
		INVERSIONE DELLA ROTAZIONE DI APERTURA	37
		CONFIGURAZIONE DEI CONTROLLI ELETTRONICI	39

INHALTSVERZEICHNIS

SICHERER BETRIEB DES WÄSCHETROCKNERS	40	INSTALLATIONSANLEITUNG FÜR ELEKTRISCH	
ENTSORGUNG DES WÄSCHETROCKNERS	40	BETRIEBENE WÄSCHETROCKNER	44
INSTALLATIONSVORAUSSETZUNGEN	41	Einsetzen der Stellbeine	44
Werkzeug und Zubehör	41	Netzanschluss.....	45
Standortvoraussetzungen	41	Anschluss der Abluftleitung	45
Netzanschluss.....	42	Abschluss der Installation	45
Lüftungsvoraussetzungen	43	WARTUNGSANLEITUNG	45
		REPARATUR- UND KUNDENDIENST	45
		ÄNDERUNG DER TÜRÖFFNUNGSRICHTUNG	46
		ELEKTRONISCHE REGELANLAGE	48

DRYER SAFETY

Your safety and the safety of others are very important.

We have provided many important safety messages in this manual and on your appliance. Always read and obey all safety messages.



This is the safety alert symbol.

This symbol alerts you to potential hazards that can kill or hurt you and others.

All safety messages will follow the safety alert symbol and either the word "DANGER" or "WARNING."

These words mean:

⚠ DANGER

You can be killed or seriously injured if you don't immediately follow instructions.

⚠ WARNING

You can be killed or seriously injured if you don't follow instructions.

All safety messages will tell you what the potential hazard is, tell you how to reduce the chance of injury, and tell you what can happen if the instructions are not followed.

FOR YOUR SAFETY

1. Do not use or store petrol or other flammable materials in this appliance or near this appliance.
2. Do not spray aerosols in the vicinity of this appliance while it is in operation.
3. Do not modify this appliance.

DRYER DISPOSAL



This appliance is marked according to the European directive 2002/ 96/ EC on Waste Electrical and Electronic Equipment (WEEE).

By ensuring this product is disposed of correctly, you will help avoid potential negative consequences for the environment and human health, which could otherwise be caused by inappropriate waste handling of this product.

The symbol on the product, or on the documents accompanying the product, indicates that this appliance may not be treated as household waste. Instead it shall be handed over to the applicable collection point for the recycling of electrical and electronic equipment.

Disposal must be carried out in accordance with local environmental regulations for waste disposal.

For more detailed information about treatment, recovery and recycling of this product, please contact your local city office, your household waste disposal service or the shop where you purchased the product.

INSTALLATION REQUIREMENTS

Tools and Parts

Gather the required tools and parts before starting installation. Read and follow the instructions provided with any tools listed here.

Tools needed:

- 200 mm (8") or 250 mm (10") Pipe wrench
- 200 mm (8") or 250 mm (10") Adjustable wrench
- Flat-blade screwdriver
- Phillips screwdriver
- Adjustable wrench that opens to 25 mm (1") or hex-head socket wrench
- Level
- 8 mm ($\frac{5}{16}$ ") socket wrench
- Utility knife
- Vent clamps
- Sealing compound gun and sealing compound (for installing new exhaust vent)
- Pliers
- Stiff-bladed putty knife

Parts supplied:

Remove parts bag from dryer drum. Check that all parts were included.

- Foot boot (4)
- Dryer foot (4)

NOTE: The circuit diagram for this dryer is located inside the lower front panel, within the Tech Sheets.

Technical

Specifications:

220 – 240 V, 50 Hz. AC

Clothes Capacity:

9 Kg Max.

Location Requirements

⚠ WARNING



Explosion Hazard

Keep flammable materials and vapors, such as petrol, away from dryer.

Do not install in a garage.

Failure to do so can result in death, explosion, or fire.

IMPORTANT: Observe all governing codes and ordinances.

- Check code requirements: Some codes limit or do not permit installation of clothes dryers in garages, closets, or sleeping quarters. Contact your local building inspector.
- Do not install on carpet.

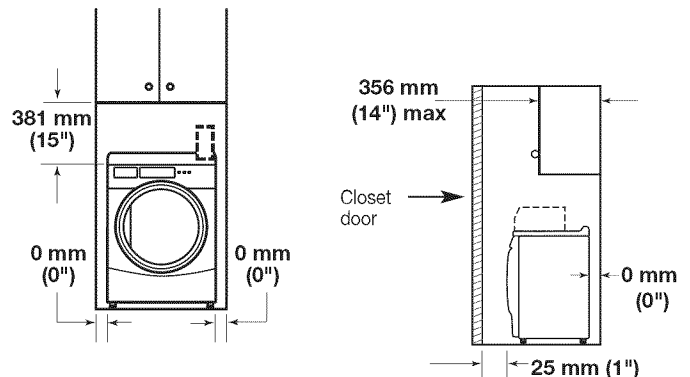
NOTE: The dryer must not be installed in an area where it will be exposed to water and/or weather.

If installed in a closet with a door, the minimum unobstructed air opening in the top and bottom is required. Louvered doors with equivalent air openings are acceptable.

The dryer must be exhausted outdoors.

No other fuel-burning appliance may be installed in the same closet as the dryer.

Minimum Installation Clearances



Recessed front view

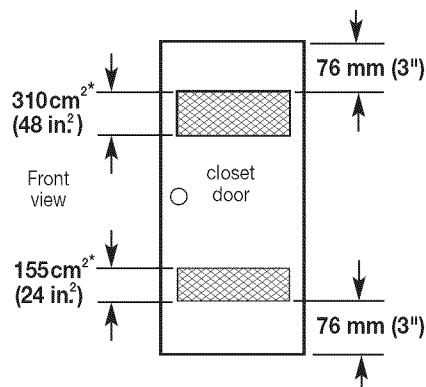
Closet side view

Additional clearances for wall, door, and floor moldings may be required or if external exhaust elbow is used.

Recessed Area and Closet Installation Instructions

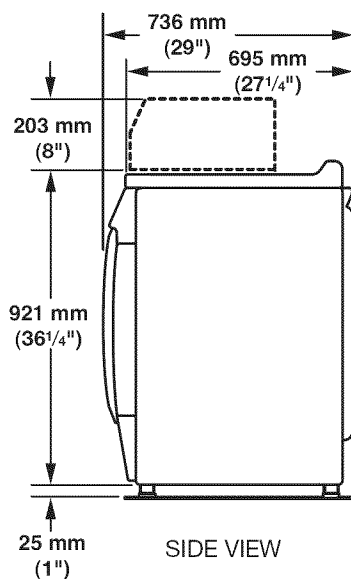
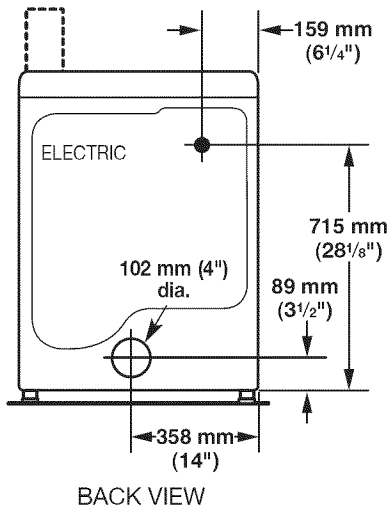
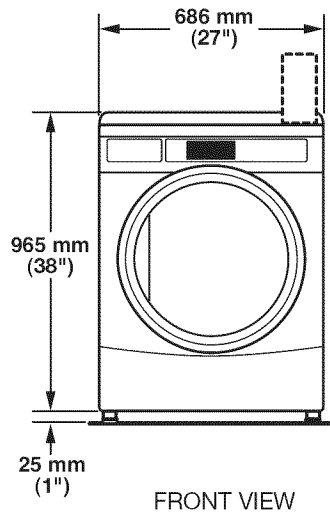
This dryer may be installed in a recessed area or closet. This dryer must not be installed behind a lockable door, a sliding door, or a door with a hinge on the opposite side to that of the dryer.

The installation spacing is in millimeters and is the minimum allowable. Additional spacing should be considered for ease of installation, servicing, and compliance with local codes and ordinances.



*Opening is the minimum for a closet door. Louvered doors with equivalent air openings are acceptable.

Product Dimensions 686 mm (27") dryer



Electrical Requirements

This dryer is supplied without an electric cord and plug. It must be connected by a competent electrician to a single-phase electricity supply at the voltage shown on the dataplate, using a suitable fixed wiring installation in accordance with local and national wiring regulations.

- A 3-wire circular cord of minimum conductor size 2.5 mm² cross-section area should be used.
- A 30A supply fuse should be used, and a switch having a contact separation in both poles that provides full disconnection under over-voltage category III conditions must be incorporated into the fixed wiring in accordance with local wiring regulations. The dryer should be positioned so that the disconnection switch is easily accessible to the user.
- A cord clamp bush is provided on the dryer, and should be tightened on completion of wiring. The electrical mains terminals are located behind the small rear access panel (terminal block cover), and connections should be made in accordance with the terminal markings. Remember to replace the terminal access panel (terminal block cover).

NOTE: In accordance with the European EMC Directive (2004/108/EC), the maximum electricity supply system impedance to which the electric dryer should be connected is declared to be 0.29 Ohm + j0.18 Ohm.

⚠ WARNING



Electric Shock Hazard

This is a 3-wire appliance which must be earthed.

Do not earth to a gas pipe.

Failure to follow these instructions could result in death, fire, or serious injury.

If codes permit and an additional earth bond wire is used, it is recommended that a qualified electrician determine that the earth bond path is adequate.

Recommended Earthing Method

- It is your responsibility to contact a qualified electrical installer to ensure that the electrical installation is adequate and in conformance with all local codes and ordinances.

Venting Requirements

WARNING



Fire Hazard

- Use a heavy metal vent.**
- Do not use a plastic vent.**
- Do not use a metal foil vent.**
- Failure to follow these instructions can result in death or fire.**

WARNING: To reduce the risk of fire, this dryer **MUST BE EXHAUSTED OUTDOORS.**

- Adequate ventilation has to be provided to avoid the backflow of gases into the room from appliances burning other fuels, including open fires (i.e. available airflow into the room should match airflow out from the room).
- The dryer vent must not be discharged into a flue which is used for exhausting fumes from appliances burning gas or other fuels, chimney, wall, ceiling, or a concealed space of a building, or any other vent used for venting.
- Do not use an exhaust hood with a magnetic latch.
- Do not install flexible metal vent in enclosed walls, ceilings, or floors.
- 102 mm (4") heavy metal vent and clamps must be used.
- Use clamps to seal all joints. Vent must not be connected or secured with screws or other fastening devices which extend into the interior of the vent and catch lint. Do not use duct tape.

IMPORTANT: Observe all governing codes and ordinances. Use a heavy metal vent. Do not use plastic or metal foil vent. Rigid metal vent is recommended to avoid crushing and kinking.

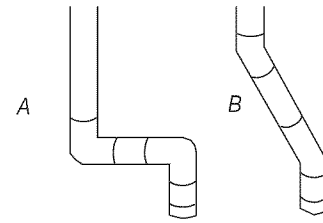
Flexible metal vent must be fully extended and supported when the dryer is in its final position. Remove excess flexible metal vent to avoid sagging and kinking that will result in reduced airflow and poor performance.

An exhaust hood should cap the vent to keep rodents and insects from entering the building.

Exhaust hood must be at least 305 mm (12") from the ground or any object that may be in the path of the exhaust (such as flowers, rocks, or bushes).

If using an existing vent system, clean lint from the entire length of the system and make sure exhaust hood is not plugged with lint. Replace any plastic or metal foil vent with rigid metal or flexible metal vent.

Plan installation to use the fewest number of elbows and turns.



Exhaust Air Flow
A. Good
B. Better

Allow as much room as possible when using elbows or making turns. Bend vent gradually to avoid kinking.

Vent outlet is located at the center of the bottom dryer back.

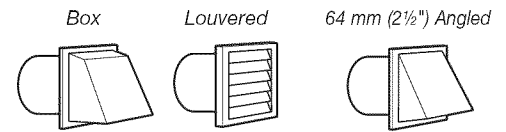
The vent can be routed up, down, left, right, behind the dryer, or straight out the back of the dryer.

Vent System Length

Maximum length of vent system depends upon the type of vent used, number of elbows, and type of exhaust hood.

Maximum Vent Length

102 mm (4") Exhaust Hoods



Rigid Metal Vent

No. of 90° turns	Box Hood and Louvered Style	Angled Hood Style
0	39.6 m (130 ft.)	39.3 m (129 ft.)
1	38.1 m (125 ft.)	36.3 m (119 ft.)
2	35.1 m (115 ft.)	33.2 m (109 ft.)
3	32.3 m (106 ft.)	30.5 m (100 ft.)
4	98 m (98 ft.)	28 m (92 ft.)

If dryer is installed in a confined area, such as a bedroom, bathroom, or closet, provision must be made for enough air for combustion and ventilation. (Check governing codes and ordinances.) See "Recessed Area and Closet Installation Instructions" in the "Location requirements" section.

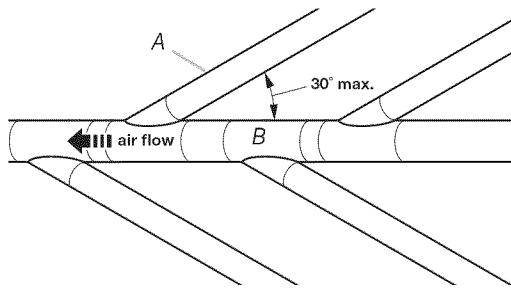
A 102 mm (4") outlet hood is preferred. However, a 64 mm (2½") outlet exhaust hood may be used. A 64 mm (2½") outlet creates greater back pressure than other hood types. For permanent installation, a stationary vent system is required.

Multiple Dryer Venting

- A main vent can be used for venting a group of dryers. Main vent should be sized to remove 5663 l/min (200 CFM) of air per dryer. Large-capacity lint screens of proper design may be used in the main vent if checked and cleaned frequently. The room where the dryers are located should have make-up air equal to or greater than the airflow of all the dryers in the room.
- A back-draft damper kit is needed and is available from a commercial laundry distributor; it should be installed in the vent of each dryer to keep exhausted air from returning into the dryers and to keep the exhaust in balance within the main vent. Unobstructed return air openings are required.

Each vent should enter the main vent at an angle pointing in the direction of the airflow. Vents entering from the opposite side should be staggered to reduce the exhausted air from interfering with the other vents.

The maximum angle of each vent entering the main vent should be no more than 30°.

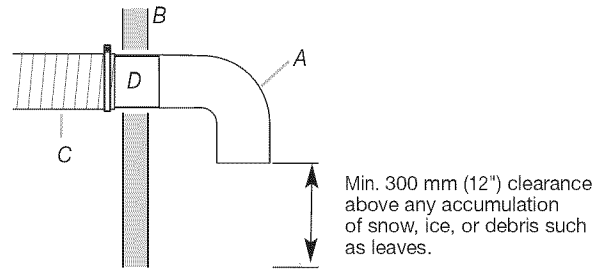


A. Individual dryer vent
B. Main vent

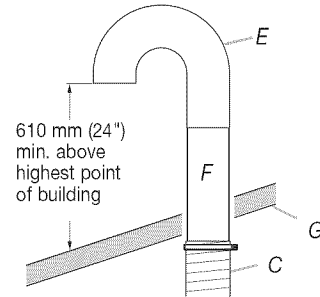
Keep air openings free of dry cleaning fluid fumes. Fumes create acids which, when drawn through the dryer heating units, can damage dryers and items being dried.

A clean-out cover should be located on the main vent for periodic cleaning of the vent system.

If an exhaust hood cannot be used:



- A. Exhaust hood or elbow
- B. Wall
- C. Main collector vent
- D. Horizontal vent
- E. 180° sweep elbow
- F. Vertical vent
- G. Roof



The outside end of the main vent should have a sweep elbow directed downward. If the main vent travels vertically through the roof, rather than through the wall, install a 180° sweep elbow on the end of the vent at least 610 mm (2 ft.) above the highest part of the building. The opening in wall or roof shall have a diameter 13 mm (½") larger than the vent diameter. The vent should be centered in the opening.

Do not install screening or cap over the end of the vent.

INSTALLATION INSTRUCTIONS - ELECTRIC DRYER

Install Leveling Legs

⚠ WARNING

Excessive Weight Hazard

**Use two or more people to move and install dryer.
Failure to do so can result in back or other injury.**

NOTE: Slide dryer onto cardboard or hardboard before moving to avoid damaging floor covering.

1. Using two or more people, move dryer to desired installation location.
2. Take tape off front corners of dryer. Open dryer and remove the literature and parts packages. Wipe the interior of the drum thoroughly with a damp cloth.
3. Take two of the cardboard corners from the carton and place them on the floor in back of the dryer. Firmly grasp the body of the dryer and gently lay it on its back on the cardboard corners.

4. With one of the legs in hand, check the ridges for a diamond marking. That's how far the leg is supposed to go into the hole.
5. Start to screw the leveling legs into the holes by hand. (Use a small amount of liquid detergent to lubricate the screw threads so it is easier to turn the legs.) Use a 1" (25 mm) wrench or socket wrench to finish turning the legs until you reach the diamond mark. Then fit a protective foot boot over each foot.
Now stand the dryer up.
6. Remove cardboard or hardboard from under dryer. Adjust the legs of the dryer up or down until the dryer is level.

Electrical Connection

⚠ WARNING



Electric Shock Hazard

This is a 3-wire dryer which must be earthed.

Securely tighten all electrical connections.

Failure to do so can result in death, fire, or electric shock.

This dryer is supplied without an electric cord and plug; it must be connected by a competent electrician. See "Electrical Requirements".

Connect Vent

1. Using a 102 mm (4") clamp, connect vent to exhaust outlet in dryer. If connecting to existing vent, make sure the vent is clean. The dryer vent must fit over the dryer exhaust outlet and inside the exhaust hood. Make sure the vent is secured to exhaust hood with a 102 mm (4") clamp.
2. Move dryer into final position. Do not crush or kink vent. Make sure dryer is level.

Complete Installation

1. With dryer in final position, place level on top of the dryer, first side to side; then front to back. If the dryer is not level, adjust the legs of the dryer up or down until the dryer is level.
2. Switch on power supply.
3. Check dryer operation:
Press the selection button for a full cycle and let the dryer run for at least five minutes. Dryer will stop when time is used up.
NOTE: Dryer door must be closed for dryer to operate. When door is open, dryer stops, but timer continues to run. To restart dryer, close door and press a cycle button.
4. Start the dryer and allow it to complete a full cycle to make sure it is working properly.

MAINTENANCE INSTRUCTIONS

Maintenance instructions:

- Clean lint screen after each cycle.
- Removing accumulated lint:
 - From inside the dryer cabinet:
Lint should be removed every 2 years or more often, depending on dryer usage. Cleaning should be done by a qualified person.
 - From the exhaust vent:
Lint should be removed every 2 years, or more often, depending on dryer usage.

If dryer does not operate, check the following:

- Electric supply is connected.
- Circuit breaker is not tripped or fuse is not blown.
- Door is closed. Listen closely to hear door switch(es) activate.
- Selected cycle button has been pressed firmly and display shows cycle time.

ASSISTANCE OR SERVICE

For further assistance

If you need further assistance, you can write or call with any questions or concerns at:

Whirlpool UK Ltd.
209 Purley Way
Croydon
CR9 4RY
U.K.
Telephone: 0208 649 5000

REVERSING THE DOOR SWING

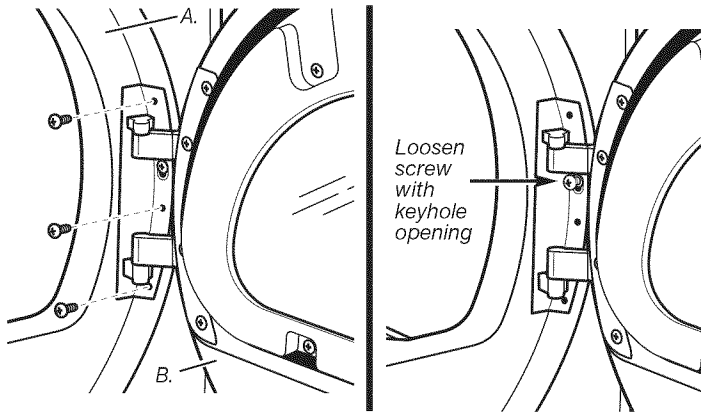
Door swing can be changed from a right-side opening to left-side opening, if desired.

Place a towel or soft cloth on top of the dryer or work space to avoid damaging the surface.

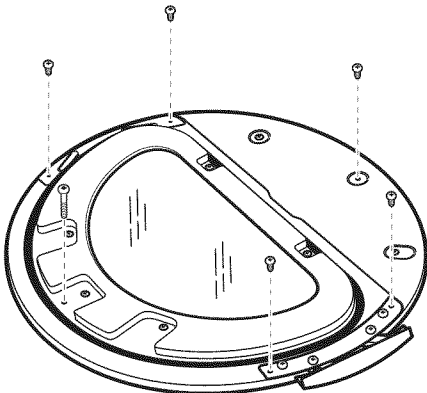
5. Rotate outer door 180°.

Remove the Door Assembly

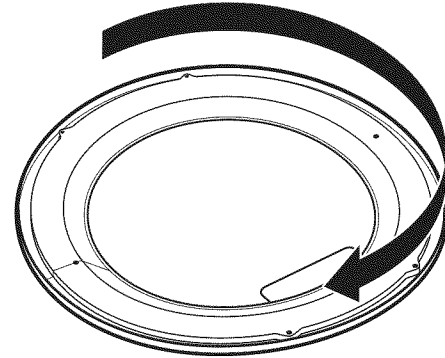
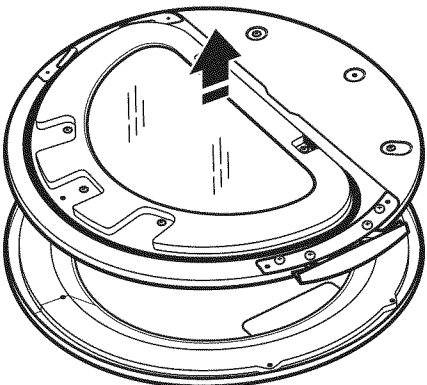
1. Remove 3 of the 4 screws that hold the door hinge on the front panel of the dryer. Partially loosen the remaining screw with keyhole opening and lift the door off the screw.



2. Lay the door assembly on a previously prepared flat surface with the inside (inner door assembly) facing up.
3. Remove the 6 Phillips head screws to release the outer door assembly from the inner door assembly, as indicated below. See illustration. It is important that you remove only the 6 indicated screws.

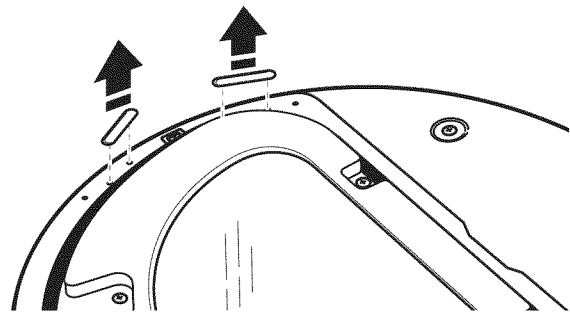


4. Lift the inner door assembly off the outer door assembly.

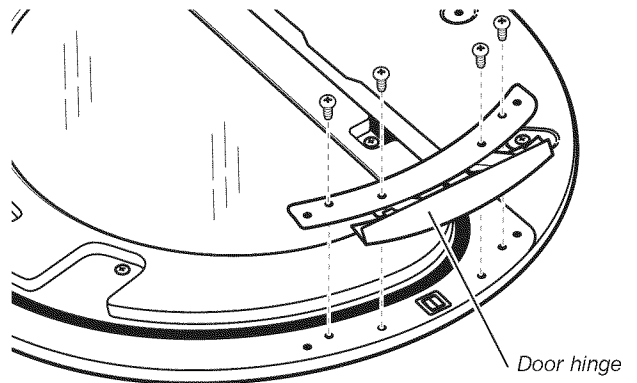


Reverse Hinge

1. Use a small flat-blade screwdriver to remove 2 plug strips from the inner door. Slide the head of the screwdriver under the plugs, being certain not to scratch the inner door surface. Lift up.

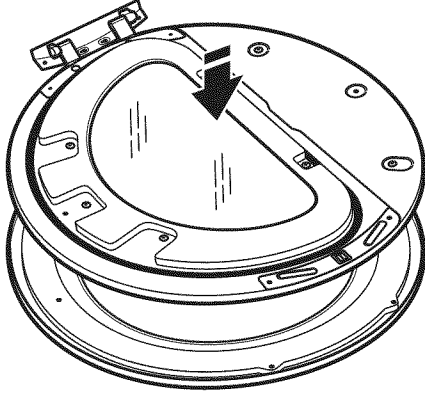


2. Remove the 4 screws that attach to the inner door hinge and move the hinge to the other side. Reinstall the 4 screws.

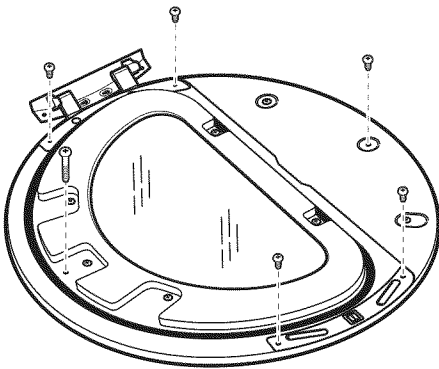


3. Reinstall plug strips on opposite side of the inner door.
4. Check for fingerprints on the glass. Clean glass if necessary.

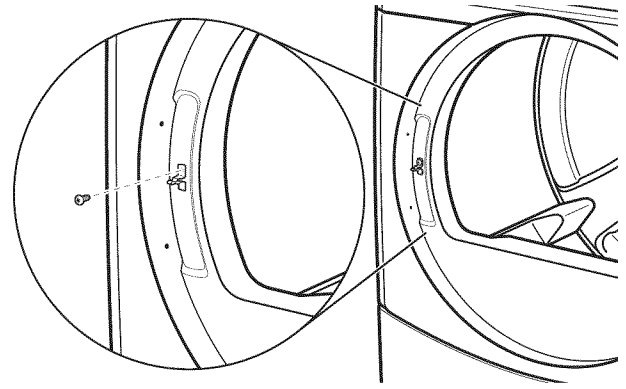
- Place the inner door assembly inside the outer door assembly. To fit correctly, the inner door assembly edge fits completely inside the outer door assembly edge.



- Reassemble the inner and outer door assemblies with the 6 screws.



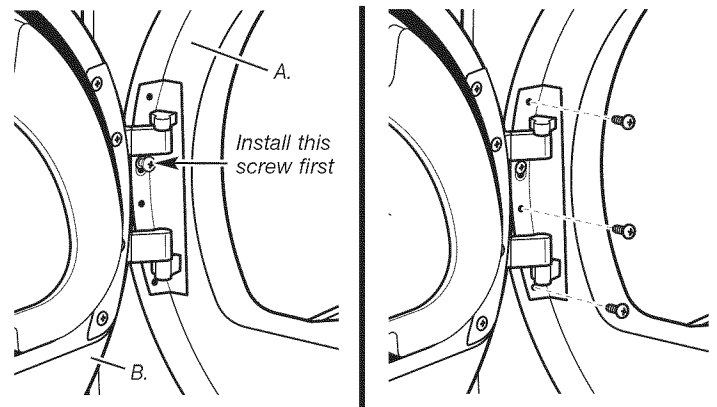
- Remove the strike using a Phillips screwdriver.



- Insert strike on the opposite side.

Reinstall the door

- Reattach door to dryer front panel with the 4 screws. Partially install the screw with keyhole opening first, and fit the keyhole opening in the hinge over the screw. Then install the remaining 3 screws and tighten all 4 screws.

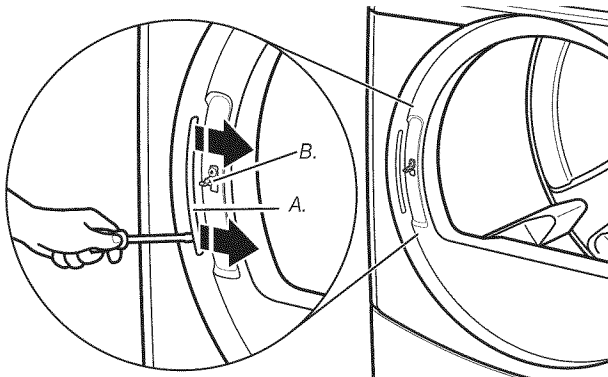


A. Dryer front panel
B. Door assembly

- Check for fingerprints on the glass. Clean glass if necessary.
- Close door and check that it latches securely.

Reverse the strike

- Use a small flat-blade screwdriver to remove plug strip from the dryer door opening. Slide the head of the screwdriver under the plugs, being certain not to scratch the dryer surface. Lift the plastic strip from the dryer slowly to avoid distortion of the plug strip.



A. Plug strip
B. Door strike

ELECTRONIC CONTROL SETUP

⚠ WARNING



Electric Shock Hazard
Disconnect power before servicing.
Replace all parts and panels before operating.
Failure to do so can result in death or electrical shock.

IMPORTANT

Electrostatic Discharge (ESD) Sensitive Electronics

ESD is present everywhere. ESD may damage or weaken the electronic control assembly. The new control assembly may appear to work well after repair is finished, but failure may occur at a later date due to ESD stress.

- Use an anti-static wrist strap. Connect wrist strap to green earth connection point or unpainted metal in the appliance.

-OR-

Touch your finger repeatedly to a green earth connection point or unpainted metal in the appliance.

- Before removing the part from its package, touch the anti-static bag to a green earth connection point or unpainted metal in the appliance.
- Avoid touching electronic parts or terminal contacts; handle electronic control assembly by edges only.
- When repackaging failed electronic control assembly in anti-static bag, observe above instructions.

DISPLAY

After the dryer has been installed and plugged in, the display will show '0 minutes.'

Once the dryer has been plugged in and the dryer door opened and closed, the display will flash 'SELECT CYCLE'.



GENERAL USER INFORMATION

"out of order" showing in display

This condition indicates the dryer is inoperative. Diagnostic or failure code will follow the scrolling message.

'0 Minutes' showing in display

This condition indicates the dryer cannot be operated until normal operation is restored by opening and closing the door. If a door switch fails, it must be replaced before normal operation can be restored.

Cold Start (initial first use)

Dryer is programmed at the factory as follows:

- 45 minutes dry time.

Warm Start (after power failure)

A few seconds after power is restored, if a cycle was in progress at the time of the power failure, 'RESELECT CYCLE' will flash in the display. This is to indicate the need for a fabric setting button to be pressed to restart dryer.

Dryer is pre-set for free cycle operation so it can be run without payment.

SECURITE DU SECHE-LINGE

Votre sécurité et celle des autres est très importante.

Nous donnons de nombreux messages de sécurité importants dans ce manuel et sur votre appareil ménager. Assurez-vous de toujours lire tous les messages de sécurité et de vous y conformer.



Voici le symbole d'alerte de sécurité.

Ce symbole d'alerte de sécurité vous signale les dangers potentiels de décès et de blessures graves à vous et à d'autres.

Tous les messages de sécurité suivront le symbole d'alerte de sécurité et le mot "DANGER" ou "AVERTISSEMENT". Ces mots signifient :

 **DANGER**

Risque possible de décès ou de blessure grave si vous ne suivez pas immédiatement les instructions.

 **AVERTISSEMENT**

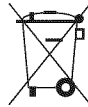
Risque possible de décès ou de blessure grave si vous ne suivez pas les instructions.

Tous les messages de sécurité vous diront quel est le danger potentiel et vous disent comment réduire le risque de blessure et ce qui peut se produire en cas de non-respect des instructions.

POUR VOTRE SECURITE

1. Ne pas utiliser ou remiser d'essence ou autres matériaux inflammables dans cet appareil ménager ou à proximité de celui-ci.
2. Ne pas vaporiser d'aérosols à proximité de cet appareil ménager lorsqu'il est en fonctionnement.
3. Ne pas modifier cet appareil ménager.

ELIMINATION DU SECHE-LINGE



Le marquage de l'appareil est conforme à la directive européenne 2002/ 96/ EC sur les équipements électroniques et électriques, pour gestion des déchets.

En veillant à l'élimination correcte de ce produit, vous éviterez d'éventuelles conséquences néfastes pour l'environnement et la santé humaine qui peuvent être associées au traitement inapproprié de ce produit lorsqu'il a été mis au rebut.

Le symbole figurant sur le produit ou dans les documents qui accompagnent le produit indique que cet appareil ne doit pas être traité comme déchet ménager; on doit plutôt le remettre à un centre de collecte spécialisé pour le recyclage des équipements électriques et électroniques.

L'élimination de ce produit après mise au rebut doit être effectuée conformément aux prescriptions de la réglementation locale de protection de l'environnement.

Pour l'information détaillée concernant le traitement, le recyclage et la récupération de ce produit, contacter la municipalité locale, le service d'élimination des déchets ménagers, ou le commerçant qui a vendu le produit.

EXIGENCES D'INSTALLATION

Outillage et pièces

Rassembler les outils et pièces nécessaires avant de commencer l'installation. Lire et respecter les instructions d'installation fournies avec chacun des outils de cette liste.

Outillage nécessaire:

- Clé à tuyauterie de 200 mm (8") ou 250 mm (10")
- Clé à molette de 200 mm (8") ou 250 mm (10")
- Tournevis à lame plate
- Tournevis Phillips
- Clé à molette avec ouverture jusqu'à 25 mm (1") ou clé à douille hexagonale
- Niveau
- Clé à douille de 8 mm (5/16")
- Couteau utilitaire
- Brides de fixation
- Pistolet à calfeutrage et composé de calfeutrage (pour l'installation d'un nouveau circuit d'évacuation)
- Pince
- Couteau à mastic à lame rigide

Pièces fournies :

Retirer le sac de pièces du tambour du sèche-linge. Vérifier la présence de toutes les pièces.

- Patin (4)
- Pied du sèche-linge (4)

REMARQUE : Le schéma de circuits de ce sèche-linge se trouve à l'intérieur du panneau inférieur avant, dans les fiches techniques.

Caractéristiques techniques :

220 – 240 V, 50 Hz. AC

Capacité de buanderie :

9 kg max.

Exigences d'emplacement

⚠ AVERTISSEMENT



Risque d'explosion

Garder les matières et les vapeurs inflammables, telle que l'essence, loin du sèche-linge.

Ne pas installer dans un garage.

Le non-respect de ces instructions peut causer un décès, une explosion ou un incendie.

IMPORTANT : Respecter les dispositions de tous les codes et règlements en vigueur.

- Déterminer les exigences des codes : Certains codes limitent ou prohibent l'installation d'un sèche-linge dans un garage, un placard, ou une chambre à coucher. Consulter l'inspecteur local des bâtiments.

- Ne pas installer sur un tapis.

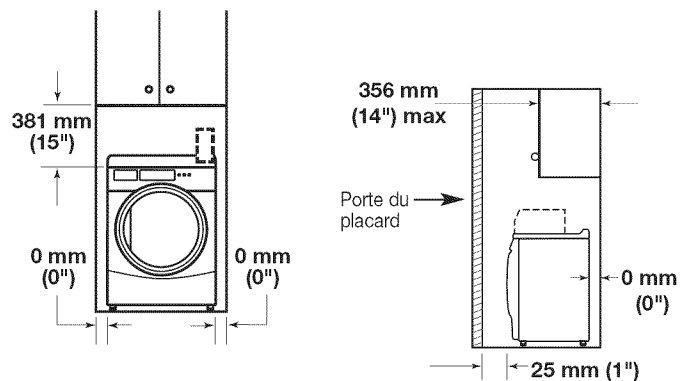
REMARQUE : Le sèche-linge ne doit pas être installé en un endroit où il serait exposé à de l'eau ou aux intempéries.

Si la porte du placard est installée, on doit respecter la taille minimale des ouvertures d'entrée d'air au sommet et en bas. On peut utiliser une porte à claire-voie offrant une surface de passage d'air équivalente.

Le circuit d'évacuation du sèche-linge doit être relié à l'extérieur.

Aucun appareil utilisant un combustible ne doit être installé dans le même placard.

Distances de séparation minimales



Encastrement, vue avant

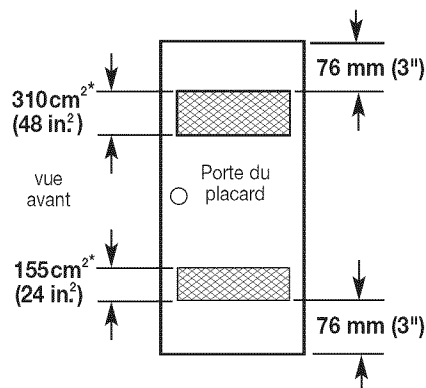
Placard, vue latérale

On doit prévoir un espacement additionnel pour tenir compte éventuellement des moulures du mur, de la porte et du plancher, ou si le circuit d'évacuation comporte un coude.

Instructions pour l'installation dans un placard ou un encastrement

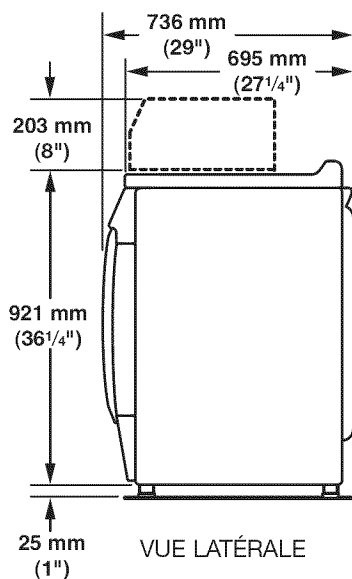
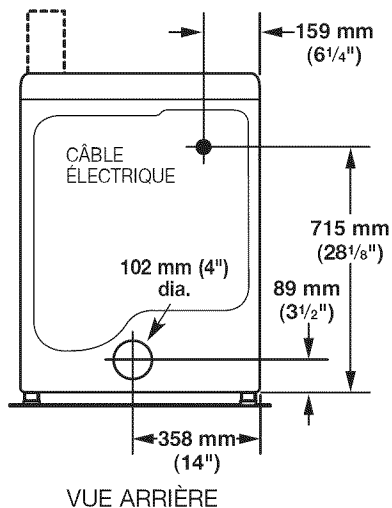
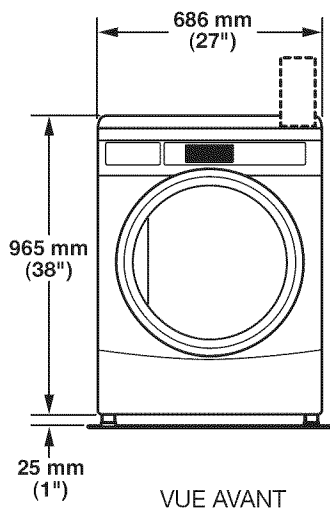
Ce sèche-linge peut être installé dans un placard ou un encastrement. Ce sèche-linge ne doit pas être installé derrière une porte verrouillable, coulissante, ou une porte avec charnière du côté opposé de l'emplacement de celle du sèche-linge.

Les distances de séparation sont exprimées en millimètres; il s'agit des distances minimales. Il est utile de prévoir des distances de séparation supérieures pour faciliter l'installation et les travaux d'entretien, ou si ceci est exigé par les codes et règlements locaux.



* Taille minimale de l'ouverture pour la porte du placard. On peut utiliser une porte à claire-voie offrant une surface de passage d'air équivalente.

Dimensions du produit – Sèche-linge de 686 mm (27")



Spécifications électriques

Ce sèche-linge est livré sans cordon d'alimentation électrique et sans prise. Il doit être raccordé par un électricien compétent à une source d'alimentation électrique monophasée, de tension telle qu'indiquée sur la plaque signalétique en utilisant un câblage fixe approprié, conformément aux règlements locaux et nationaux.

- Un cordon circulaire à 3 fils avec des conducteurs d'au moins 2,5 mm² de section doit être utilisé.
- Un fusible de 30A doit être utilisé sur l'alimentation et un sectionneur bipolaire sur les deux lignes doit être incorporé dans le câblage fixe pour assurer une déconnexion totale en cas de survolage de catégorie III, conformément aux règlements locaux en matière de raccordement. Le sèche-linge doit être placé de façon à ce que le sectionneur soit facile d'accès pour l'utilisateur.
- Une garniture de serre-fil pour le d'alimentation est fournie avec le sèche-linge et doit être serrée une fois le câblage terminé. Les bornes de raccordement au secteur se trouvent derrière le petit panneau d'accès arrière (couvercle du boîtier de connexion), et les connexions doivent être réalisées conformément au marquage des bornes. Ne pas oublier de remettre en place le panneau d'accès du boîtier de connexion (couvercle du boîtier de connexion).

REMARQUE : Conformément à la directive européenne CEM (2004/108/EC), l'impédance maximale du système d'alimentation électrique auquel le sèche-linge électrique doit être connecté est de 0,29 Ohm + j0,18 Ohm.

⚠ AVERTISSEMENT



Risque de choc électrique

Cet appareil est un sèche-linge à 3 conducteurs qui doit être relié à la terre.

Ne pas utiliser une tuyauterie de gaz pour le raccordement à la terre.

Le non-respect de ces instructions peut causer un décès, un incendie ou des blessures graves.

Si les codes le permettent et si un conducteur supplémentaire de mise à la terre est utilisé, il est recommandé qu'un électricien qualifié inspecte le parcours du fil de mise à la terre.

Méthode recommandée pour la mise à la terre

- Il incombe à l'utilisateur de contacter un électricien qualifié afin de veiller à ce que l'installation électrique soit réalisée de façon adéquate et en conformité avec les exigences de tous les codes et règlements locaux.

Exigences concernant l'évacuation

⚠ AVERTISSEMENT



Risque d'incendie

- Utiliser un conduit d'évacuation en métal lourd.
- Ne pas utiliser un conduit d'évacuation en plastique.
- Ne pas utiliser un conduit d'évacuation en feuille de métal.
- Le non-respect de ces instructions peut causer un décès ou un incendie.

AVERTISSEMENT : Pour réduire le risque d'incendie, ce sèche-linge DOIT ÉVACUER L'AIR À L'EXTÉRIEUR.

- Une aération adéquate est nécessaire pour éviter le retour des gaz dans la pièce en provenance d'appareils ménagers qui utilisent d'autres carburants comme combustible, y compris les feux ouverts (autrement dit le débit d'air entrant dans la pièce doit être égal au débit qui en sort).
- L'évent du sèche-linge ne doit pas être connecté à un conduit d'évacuation de gaz, une cheminée, un mur, un plafond ou un vide de construction, ou tout autre conduit utilisé pour l'évacuation.
- Ne pas utiliser un clapet d'évacuation à fermeture magnétique.
- Ne pas installer le conduit métallique flexible dans les cavités fermées des murs, plafonds ou planchers.
- Utiliser un conduit d'évacuation en métal lourd de 102 mm (4") et des brides de fixation.
- Utiliser des brides de fixation pour sceller tous les joints. L'évent ne doit pas être connecté ou fixé avec des vis ou autres dispositifs d'accrochage qui se prolongent à l'intérieur de l'évent et peuvent retenir les peluches. Ne pas utiliser de ruban adhésif en toile.

IMPORTANT : Respecter les dispositions de tous les codes et règlements en vigueur.

Utiliser un conduit d'évacuation en métal lourd. Ne pas utiliser un conduit de plastique ou en feuille métallique.

On recommande d'utiliser un conduit métallique rigide pour réduire les risques d'écrasement et de déformation.

Un conduit métallique flexible doit être totalement déployé et soutenu lorsque le sèche-linge est à sa position finale. Enlever tout excès de conduit flexible pour éviter tout affaissement/déformation qui réduira le débit d'air et le rendement du sèche-linge.

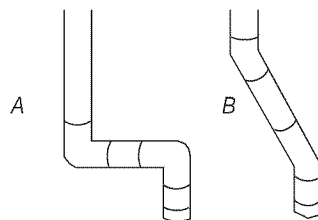
Terminer le conduit d'évacuation par un clapet de décharge pour éviter les rongeurs et insectes d'entrer dans le bâtiment.

Le clapet de décharge doit être situé à au moins 305 mm (12") au-dessus du sol ou de tout autre objet susceptible de se trouver sur le trajet de l'air humide rejeté (par exemple, fleurs, roches ou arbustes).

Lors de l'utilisation d'un circuit d'évacuation existant, nettoyer les peluches sur toute la longueur du système et veiller à ce que la bouche de décharge ne soit pas obstruée par une accumulation

de peluches. Remplacer tout conduit de plastique ou de feuille métallique mince par un conduit métallique flexible ou rigide.

Planifier l'installation pour introduire le nombre minimal de coudes et de changements de direction.



Débit d'évacuation

A. Bon débit d'évacuation

B. Meilleur débit d'évacuation

Si des coudes sont utilisés ou des changements de direction effectués, prévoir autant d'espace que possible. Plier le conduit graduellement pour éviter de le déformer.

La bouche de sortie est située à l'arrière du sèche-linge, en bas/au centre.

On peut acheminer le conduit d'évacuation par le haut, par le bas, par la gauche, par la droite, derrière le sèche-linge ou en ligne droite depuis l'arrière du sèche-linge.

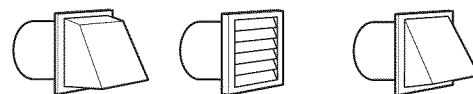
Longueur du circuit d'évacuation

La longueur maximale du circuit d'évacuation dépend du type de conduit utilisé, du nombre de coudes et du type de bouche de décharge.

Longueur maximale du conduit

Clapet de décharge de 102 mm (4")

Type boîte À persiennes Incliné de 64 mm (2½")



Conduit métallique rigide

Nombre d'angles à 90°	Clapets de type boîte et à persiennes	Clapet incliné
0	39,6 m (130 pi.)	39,3 m (129 pi.)
1	38,1 m (125 pi.)	36,3 m (119 pi.)
2	35,1 m (115 pi.)	33,2 m (109 pi.)
3	32,3 m (106 pi.)	30,5 m (100 pi.)
4	98 m (98 pi.)	28 m (92 pi.)

Si le sèche-linge est installé dans un espace réduit tel qu'une chambre à coucher, une salle de bain ou un placard, on doit prévoir une arrivée d'air en quantité suffisante pour la combustion et la ventilation. (Consulter les codes et règlements en vigueur.) Voir "Instructions pour l'installation dans un placard ou dans un encastrement" de la section "Exigences d'emplacement".

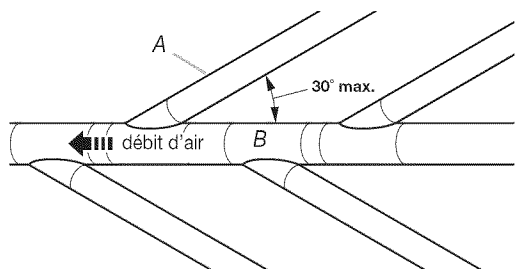
L'emploi d'une bouche de décharge de 102 mm (4") est préférable. On peut cependant utiliser une bouche de 64 mm (2½"). Une bouche de décharge de 64 mm (2½") peut causer une plus forte rétropression que les autres genres de bouches. Pour une installation permanente, un système d'évacuation fixe est requis.

Évacuation multiple du sèche-linge

- Un conduit d'évacuation principal peut être utilisé pour un groupe des sèche-linge. Le conduit d'évacuation principal devrait être d'un diamètre suffisant pour évacuer 5663 l/min (200 pi³/min) d'air par sèche-linge. Des filtres à peluches de forte capacité et de conception adéquate peuvent être utilisés dans le conduit principal d'évacuation s'ils sont inspectés et nettoyés fréquemment. La pièce où se trouvent les sèche-linge devrait recevoir un apport d'air de débit égal ou supérieur au débit total (pi³/min) de débit de tous les sèche-linge installés dans la pièce.
- Un ensemble antirefoulement est nécessaire et est fourni par un distributeur de buanderie commercial et devrait être installé dans le conduit d'évacuation de chaque sèche-linge pour éviter l'air évacué de retourner dans les sèche-linge et pour maintenir une pression équilibrée dans le conduit principal d'évacuation. Des orifices de passage d'air de retour non obstrués sont requis.

Chaque conduit d'évacuation devrait pénétrer dans le conduit principal à un angle pointant dans la direction du débit d'air. Les conduits raccordés au conduit principal de part et d'autre devraient être disposés en quinconce pour que l'air évacué par un sèche-linge ne puisse perturber l'évacuation d'un autre sèche-linge.

L'angle maximal entre le conduit connecté à un sèche-linge et le conduit principal ne devrait pas dépasser 30°.

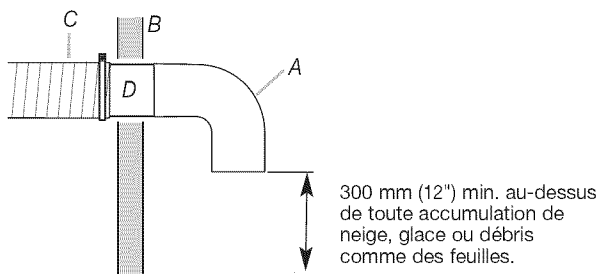


A. Conduit individuel d'évacuation du sèche-linge
B. Conduit principal d'évacuation

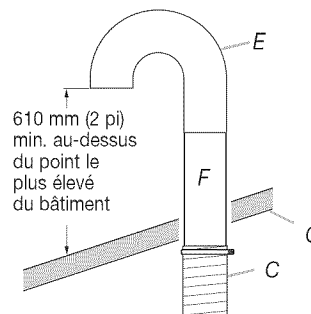
Faire en sorte que les vapeurs générées par les liquides de nettoyage à sec ne puissent pas atteindre les orifices d'entrée d'air; ces vapeurs créent des composés acides qui, lorsqu'ils sont attirés vers les unités de chauffage des sèche-linge, peuvent endommager les sèche-linge et le linge en cours de séchage.

Une bouche de nettoyage devrait être installée dans le conduit principal d'évacuation pour les nettoyages périodiques du système d'évacuation.

Si une bouche de décharge ne peut être utilisée :



- A. Bouche de décharge ou coude de déviation
- B. Mur
- C. Cheminée principale de mise à l'air libre
- D. Conduit horizontal
- E. Coude de déviation à 180°
- F. Conduit vertical
- G. Toit



L'extrémité extérieure du conduit principal devrait être munie d'un coude de déviation dirigé vers le bas. Si le conduit principal suit une trajectoire verticale à travers le toit, plutôt qu'à travers le mur, installer un coude de déviation de 180° à l'extrémité du conduit et dépassant d'au moins 610 mm (2 pi) au-dessus de la partie la plus élevée du bâtiment. L'ouverture murale ou dans le toit doit avoir un diamètre supérieur de 13 mm (1/2") à celui du conduit d'évacuation. Le conduit d'évacuation devrait être centré dans l'ouverture.

Ne pas installer une grille ou un couvercle sur l'extrémité du conduit d'évacuation.

INSTRUCTIONS D'INSTALLATION - SECHE-LINGE ELECTRIQUE

Installation des pieds de nivellement

⚠ AVERTISSEMENT

Risque du poids excessif

Utiliser deux ou plus de personnes pour déplacer et installer le sèche-linge.

Le non-respect de cette instruction peut causer une blessure au dos ou d'autre blessure.

NOTE : Placer le sèche-linge sur une feuille de carton ou un panneau de bois dur avant de la déplacer sur le plancher, afin d'éviter d'endommager le revêtement du sol.

1. À l'aide de deux personnes ou plus, déplacer le sèche-linge à l'emplacement d'installation désiré.
2. Enlever le ruban adhésif dans les angles avant du sèche-linge. Ouvrir le sèche-linge; enlever les brochures et sachets de pièces. Essuyer parfaitement la surface interne du tambour avec un chiffon humide.
3. Prendre deux cornières de carton de l'emballage et les placer sur le plancher à l'arrière du sèche-linge. Saisir fermement le sèche-linge et le placer doucement en appui sur le dos, sur les cornières de carton.
4. Prendre l'un des pieds et identifier la marque en losange dans le filetage. Ce repère indique jusqu'où le pied doit être vissé dans le trou.
5. Commencer à visser à la main les pieds avant dans les trous. (Utiliser une petite quantité de détergent liquide pour lubrifier la section filetée, pour qu'il soit plus facile de tourner les pieds). Utiliser une clé de 25 mm (1") ou une clé à douille pour visser les pieds jusqu'au repère. Placer ensuite un patin de protection sur chaque pied.
Placer maintenant le sèche-linge verticalement.
6. Retirer la feuille de carton ou le panneau de bois dur placé sous le sèche-linge. Régler les pieds du sèche-linge vers le haut ou vers le bas jusqu'à ce que le sèche-linge soit d'aplomb.

Raccordement électrique

⚠ AVERTISSEMENT



Risque de choc électrique

Cet appareil est un sèche-linge à 3 conducteurs qui doit être relié à la terre.

Bien serrer toutes les connexions électriques.

Le non-respect de ces instructions peut causer un décès, un incendie ou un choc électrique.

Ce sèche-linge est livré sans cordon d'alimentation électrique et sans prise; il doit être raccordé par un électricien compétent. Voir "Spécifications électriques".

Raccordement du conduit d'évacuation

1. À l'aide d'une bride de fixation de 102 mm (4"), relier le conduit d'évacuation à la bouche d'évacuation du sèche-linge. Si on utilise le conduit d'évacuation existant, s'assurer qu'il est propre. Le conduit d'évacuation du sèche-linge doit être fixé sur la bouche d'évacuation du sèche-linge et dans le clapet d'évacuation. S'assurer que le conduit d'évacuation est fixé au clapet d'évacuation à l'aide d'une bride de fixation de 102 mm (4").
2. Placer le sèche-linge à l'emplacement final désiré. Ne pas écraser ni déformer le conduit d'évacuation. Vérifier que le sèche-linge est de niveau.

Achever l'installation

1. Une fois le sèche-linge à son emplacement final, placer un niveau sur le sommet du sèche-linge, transversalement, puis dans le sens avant arrière. Si le sèche-linge n'est pas d'aplomb, ajuster les pieds pour modifier la hauteur et établir un bon aplomb du sèche-linge.
2. Brancher le sèche-linge ou reconnecter la source de courant électrique.

3. Contrôler le bon fonctionnement du sèche-linge :
Appuyer sur le bouton de sélection pour un programme complet et laisser le sèche-linge fonctionner pendant au moins 5 minutes. Le sèche-linge s'arrêtera à l'expiration de la période ainsi déterminée.
REMARQUE : Il faut que la porte soit fermée pour que le sèche-linge puisse fonctionner. Le sèche-linge s'arrête dès l'ouverture de la porte, mais la minuterie continue de fonctionner. Pour remettre le sèche-linge en marche, fermer la porte et appuyer sur le bouton du programme.
4. Mettre le sèche-linge en marche; le laisser exécuter un programme complet pour vérifier qu'il fonctionne correctement.

INSTRUCTIONS D'ENTRETIEN

Instructions d'entretien :

- Nettoyer le filtre à peluches après chaque utilisation.
- Comment enlever les peluches accumulées :
 - De l'intérieur du sèche-linge :
Il faut retirer les peluches tous les 2 ans ou plus souvent, selon l'utilisation du sèche-linge. Le nettoyage doit être effectué par une personne qualifiée.
 - Du conduit d'évacuation :
Il faut retirer les peluches tous les 2 ans ou plus souvent, selon l'utilisation du sèche-linge.

Si le sèche-linge ne fonctionne pas, vérifier ce qui suit :

- Le circuit d'alimentation électrique est bien connecté.
- Les disjoncteurs ne sont pas ouverts et les fusibles sont intacts.
- La porte est fermée. Écouter étroitement pour entendre l'activation du contacteur(s) de la porte.
- Le bouton du programme a été enfoncé fermement et l'afficheur montre la durée de cycle.

ASSISTANCE OU SERVICE

Pour obtenir de l'aide supplémentaire

Si vous avez besoin d'aide supplémentaire, vous pouvez téléphoner ou soumettre vos questions ou préoccupations par écrit à :

Whirlpool UK Ltd.
209 Purley Way
Croydon
CR9 4RY
U.K.

Téléphone : 0208 649 5000

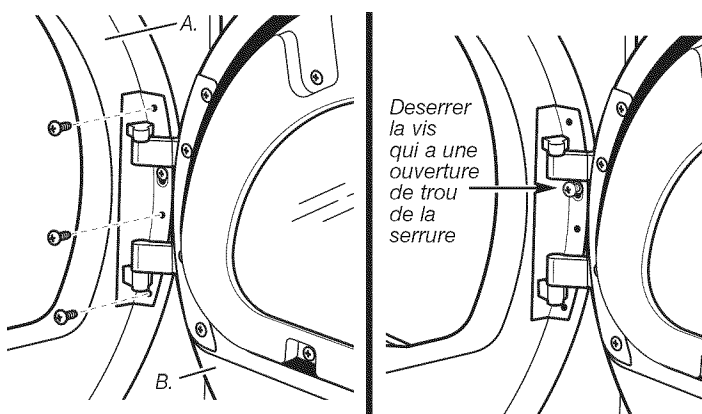
INVERSION DU SENS D'OUVERTURE DE LA PORTE

Le sens d'ouverture de la porte peut être changé du côté droit au côté gauche, si désiré.

Placer une serviette ou un chiffon doux sur le dessus du sèche-linge ou du plan de travail pour éviter d'endommager la surface.

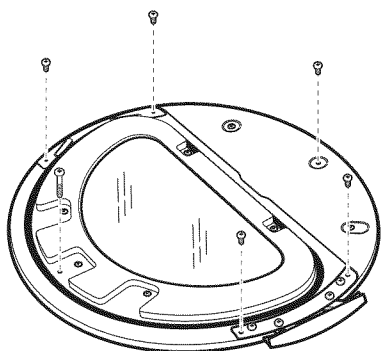
Dépose de l'armature de la porte

1. Enlever 3 des 4 vis qui maintiennent la charnière de la porte sur le panneau avant du sèche-linge. Desserrer partiellement la vis restante qui a une ouverture de trou de la serrure et soulever la porte de la vis.

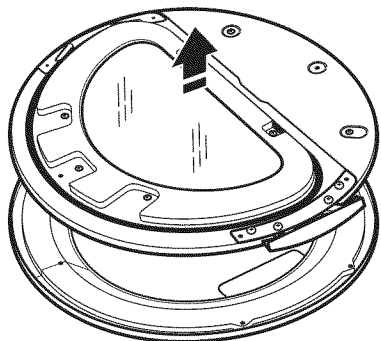


A. Panneau avant du sèche-linge
B. Armature de la porte

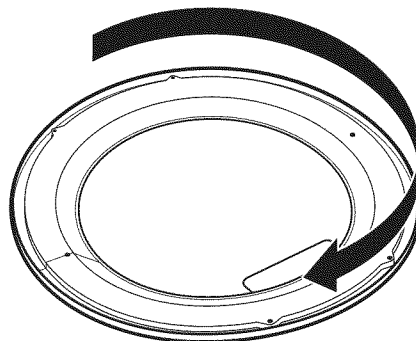
2. Poser la porte sur une surface plane préparée, côté intérieur (partie interne de la porte) vers le haut.
3. Enlever les 6 vis à tête Philips pour séparer la partie externe de la porte de la partie interne, tel qu'indiqué ci-dessous. Voir l'illustration. Il est important d'enlever uniquement les 6 vis indiquées.



4. Soulever la partie interne de la porte hors de la partie externe.

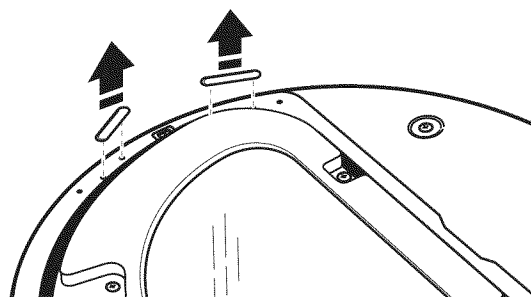


5. Faire pivoter la partie externe de 180°.

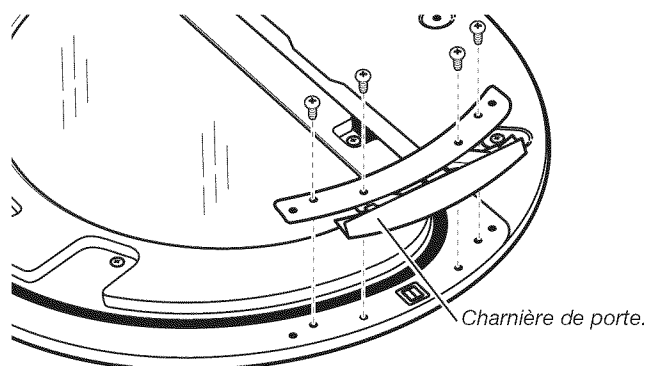


Inversion de la charnière

1. Utiliser un petit tournevis à lame plate pour enlever 2 pitons d'obturation de la partie interne de la porte. Faire glisser la tête du tournevis sous les pitons, en veillant à ne pas érafler la surface de la porte interne. Soulever.

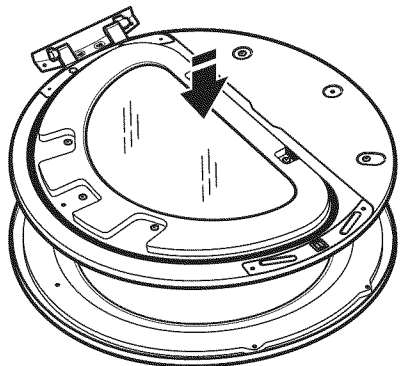


2. Enlever les 4 vis qui fixent la charnière de la porte interne et déplacer la charnière de l'autre côté. Réinstaller les 4 vis.

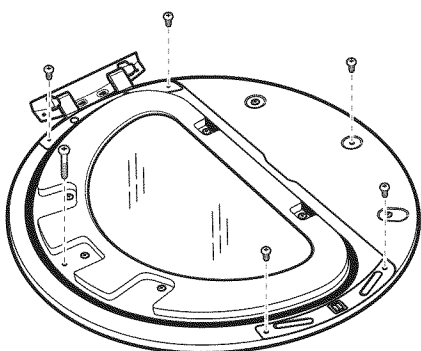


3. Réinstaller les pitons d'obturation sur le côté opposé de la porte interne.
4. Vérifier qu'il n'y a pas de marques de doigts sur le verre. Nettoyer le verre au besoin.

- Placer la partie interne de la porte à l'intérieur de la partie externe. Pour une bonne installation, le bord de la partie interne de la porte doit se trouver complètement à l'intérieur du bord de la partie externe de la porte.

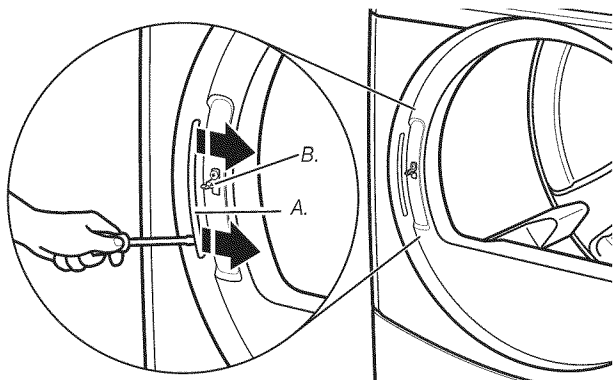


- Assembler de nouveau les parties interne et externe de la porte avec les 6 vis.



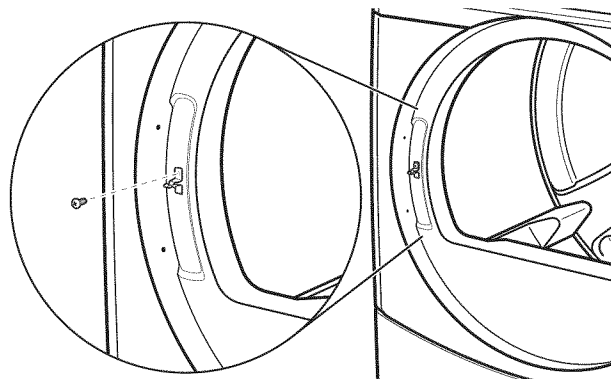
Inversion de la gâche

- Utiliser un petit tournevis à lame plate pour enlever la tringle des pitons d'obturation des trous dans l'ouverture de la porte du sèche-linge. Faire glisser la tête du tournevis sous les pitons, en veillant à ne pas érafler la surface du sèche-linge. Soulever du sèche-linge lentement pour éviter la déformation de la tringle des pitons d'obturation des trous.



A. Tringle des pitons d'obturation des trous
B. Gâche de la porte

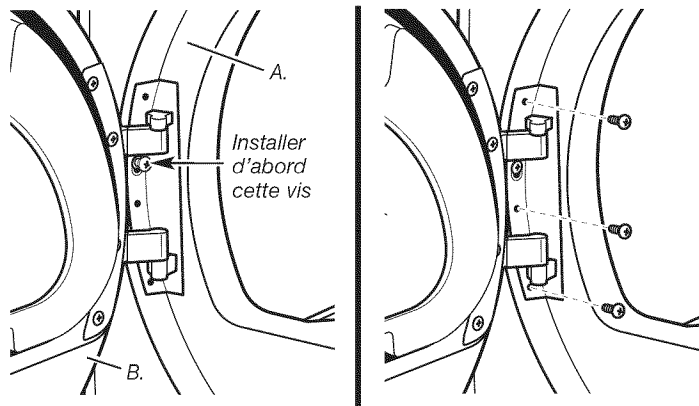
- Enlever la gâche avec un tournevis Phillips.



- Installer la gâche du côté opposé.

Réinstallation de la porte

- Fixer de nouveau la porte sur le panneau avant du sèche-linge avec les 4 vis. Installer partiellement la vis qui a l'ouverture de trou de la serrure d'abord, et placer l'ouverture de trou de la serrure de la charnière au-dessus de la vis. Installer ensuite les autres 3 vis et serrer chacune des 4 vis.



A. Panneau avant du sèche-linge
B. Assemblage de la porte

- Vérifier qu'il n'y a pas de marques de doigts sur le verre. Nettoyer le verre au besoin.
- Fermer la porte et vérifier qu'elle s'enclenche solidement.

REGLAGE DE LA CARTE DE CIRCUITS ELECTRONIQUES

AVERTISSEMENT

Risque de choc électrique

Déconnecter la source de courant électrique avant l'entretien.

Replacer pièces et panneaux avant de faire la remise en marche.

Le non-respect de ces instructions peut causer un décès ou un choc électrique.

IMPORTANT

Décharge électrostatique (DES) Circuits électroniques sensibles

Les DES se produisent partout. Une DES peut détruire ou détériorer les circuits électroniques. La nouvelle carte peut sembler fonctionner correctement après la réparation, mais une DES peut lui avoir fait subir des contraintes qui provoqueront une défaillance plus tard.

- Utiliser un bracelet antistatique. Connecter le bracelet antistatique au point de connexion vert relié à la terre ou sur une partie de métal non peint à l'intérieur de l'appareil.

-OU-

Toucher plusieurs fois de suite avec le doigt un point vert de raccordement à la terre ou une surface métallique non peinte à l'intérieur de l'appareil.

- Avant de retirer la pièce de son sachet, placer le sachet antistatique en contact avec la vis verte de liaison à la terre ou une surface métallique non peinte de l'appareil.
- Éviter de toucher les composants électroniques ou les broches de contact ; manipuler les circuits électroniques de l'appareil uniquement par les bords.
- Lors du ré-emballage des circuits électroniques de l'appareil défaillant dans le sachet antistatique, observer les instructions ci-dessus.

INFORMATIONS GENERALES POUR L'UTILISATEUR

"out of order" apparaît sur l'affichage

Ce problème indique que le sèche-linge ne fonctionne pas. Le code d'anomalie ou de diagnostic s'affichera à la suite du message qui défile.

'0 Minutes' apparaît sur l'affichage

Ce problème indique qu'il n'est pas possible de faire fonctionner le sèche-linge tant que le fonctionnement normal n'est pas restauré en ouvrant puis en refermant la porte. Si un commutateur de porte s'avère défectueux, il doit être remplacé avant que le fonctionnement normal puisse être rétabli.

Démarrage à froid (première utilisation)

Le sèche-linge est programmé à l'usine comme suit :

- 45 minutes de séchage.

Démarrage à chaud (après une panne de courant)

Quelques secondes après que le courant soit rétabli, si un programme était en fonction au moment de la panne de courant, le message 'RESELECT CYCLE' (sélectionner à nouveau le programme) clignotera sur l'affichage. Ceci indique la nécessité d'appuyer sur une touche de réglage de tissu pour redémarrer le sèche-linge.

Le sèche-linge est pré-réglé à l'usine pour un fonctionnement de programme gratuite; le sèche-linge peut fonctionner sans paiement.

AFFICHAGE

Une fois que le sèche-linge sera installé et branché, l'affichage indiquera '0 minutes'.

Une fois que le sèche-linge aura été branché et que l'on aura ouvert puis fermé la porte, l'affichage clignotera 'SELECT CYCLE'.



SEGURIDAD DE LA SECADORA

Su seguridad y la seguridad de los demás es muy importante

Hemos incluido muchos mensajes importantes de seguridad en este manual y en su electrodoméstico. Lea y obedezca siempre todos los mensajes de seguridad.



Este es el símbolo de advertencia de seguridad.

Este símbolo le llama la atención sobre peligros potenciales que pueden ocasionar la muerte o una lesión a usted y a los demás. Todos los mensajes de seguridad irán a continuación del símbolo de advertencia de seguridad y de la palabra "PELIGRO" o "ADVERTENCIA".

Estas palabras significan:

⚠ PELIGRO

Si no sigue las instrucciones de inmediato, usted puede morir o sufrir una lesión grave.

⚠ ADVERTENCIA

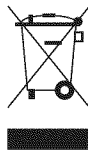
Si no sigue las instrucciones, usted puede morir o sufrir una lesión grave.

Todos los mensajes de seguridad le dirán el peligro potencial, le dirán cómo reducir las posibilidades de sufrir una lesión y lo que puede suceder si no se siguen las instrucciones.

PARA SU SEGURIDAD

1. No use ni guarde gasolina ni otros materiales inflamables dentro de este aparato ni cerca del mismo.
2. No rocíe con aerosoles en la proximidad de este aparato mientras esté en funcionamiento.
3. No modifique este aparato.

ELIMINACIÓN DE LA SECADORA



Este electrodoméstico está marcado de acuerdo con la directiva europea 2002/96/EC sobre Residuos de Equipos Eléctricos y Electrónicos (Waste Electrical and Electronic Equipment - WEEE).

Asegurándose de que este producto será eliminado correctamente, usted ayudará a prevenir consecuencias negativas potenciales para el medio ambiente y la salud humana, que podrían causarse por el manejo inapropiado de este producto.

El símbolo sobre el producto, o en los documentos que acompañan al producto, indica que este electrodoméstico no puede tratarse como basura doméstica. Contrariamente, deberá ser entregado al punto de recogida correspondiente para el reciclado de equipos eléctricos y electrónicos.

La eliminación debe llevarse a cabo de acuerdo con las regulaciones ambientales locales para la eliminación de basura.

Para información más detallada acerca del tratamiento, recuperación y reciclado de este producto, por favor, contacte con su oficina municipal local, su servicio de eliminación de basura doméstica o la tienda donde compró el producto.

REQUISITOS DE INSTALACIÓN

Piezas y herramientas

Reúna las herramientas y piezas necesarias antes de comenzar la instalación. Lea y siga las instrucciones provistas con cualquiera de las herramientas enlistadas aquí.

Herramientas necesarias:

- Llave para tubos de 200 mm (8") ó 250 mm (10")
- Llave ajustable de 200 mm (8") ó 250 mm (10")
- Destornillador de hoja plana
- Destornillador Phillips
- Llave ajustable que se abra a 25 mm (1") o llave de cubo de cabeza hexagonal
- Nivel
- Llave de boca de 8 mm (5/16")
- Cuchillo para uso general
- Abrazaderas para conducto
- Pistola y masilla para calafateo (para instalar el nuevo conducto de escape)
- Pinzas
- Cuchillo para masilla de hoja dura

Piezas suministradas:

Retire la bolsa de piezas del tambor de la secadora. Verifique que estén todas las piezas.

- Cubiertas protectoras para patas (4)
- Patas de la secadora (4)

NOTA: El diagrama del circuito para esta secadora está situado dentro del panel frontal inferior, en las hojas técnicas.

Especificaciones técnicas:

220 – 240 V, 50 Hz. AC

Capacidad de ropa:

9 Kg máx.

Requisitos de ubicación

⚠ ADVERTENCIA



Peligro de Explosión

Mantenga los materiales y vapores inflamables, tales como la gasolina, alejados de la secadora.

No instale en un garage.

No seguir estas instrucciones puede ocasionar la muerte, explosión o incendio.

IMPORTANTE: Observe todos los códigos y reglamentos aplicables.

- Verifique los requisitos de los códigos: Algunos códigos limitan, o no permiten, la instalación de la secadora en garajes, armarios o en dormitorios. Póngase en contacto con el inspector de construcciones de su localidad.
- No la instale sobre alfombra.

NOTA: No debe instalarse la secadora en un área en donde pueda estar expuesta al agua y/o a la intemperie.

Instrucciones para la instalación empotrada o en armario

Esta secadora podrá instalarse en un área empotrada o en un clóset. No debe instalarse esta secadora detrás de una puerta que se pueda cerrar con llave, una puerta corrediza o una puerta con bisagra del lado opuesto a la secadora.

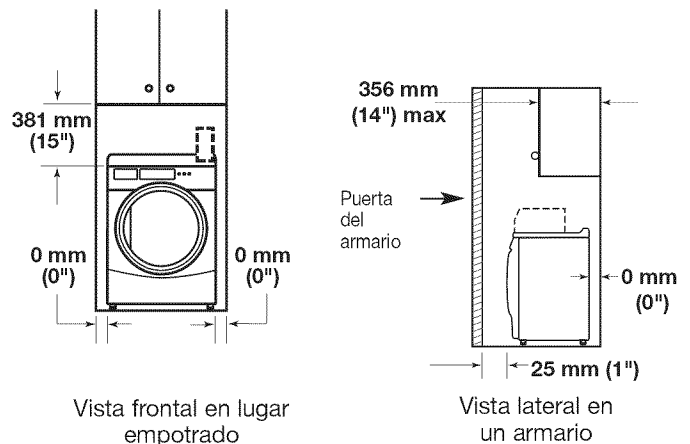
El espacio de instalación es en milímetros (pulgadas) y es el mínimo permitido. Debe considerarse espacio adicional para facilitar la instalación, el servicio técnico y el cumplimiento de los códigos y ordenanzas locales.

Si se instala en un armario con puerta, se requieren aperturas mínimas de ventilación sin obstrucciones en la parte superior e inferior de la puerta. Se aceptan puertas tipo persianas con aperturas de aire equivalentes.

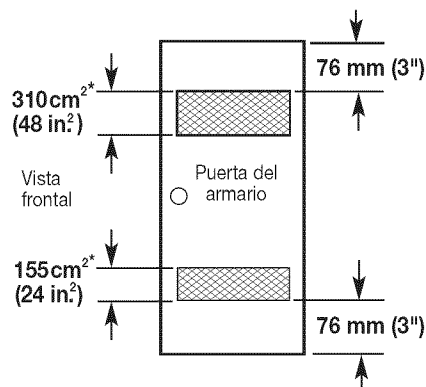
La secadora deberá ventilarse al exterior.

No se puede instalar otro electrodoméstico que usa combustible en el mismo clóset en que se encuentra la secadora.

Espacios mínimos para la instalación

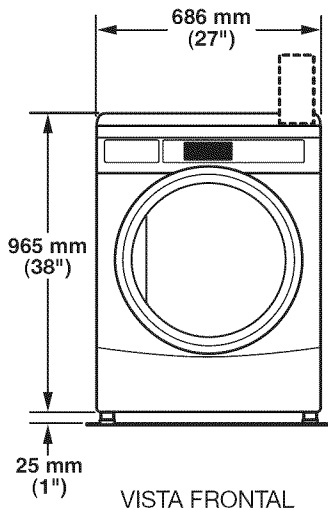


Se podrían necesitar espacios libres adicionales para las molduras de la pared, de la puerta y del piso, o si se usa un codo externo de ventilación.

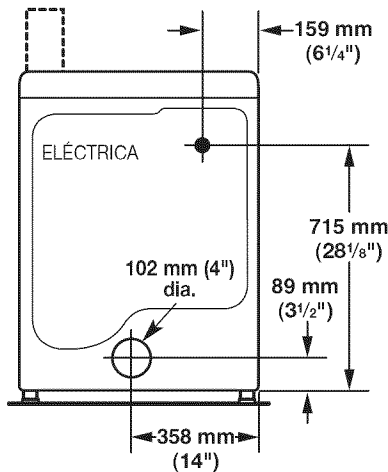


* La apertura es la mínima para la puerta del armario. Se aceptan puertas tipo persianas con aperturas de aire equivalentes.

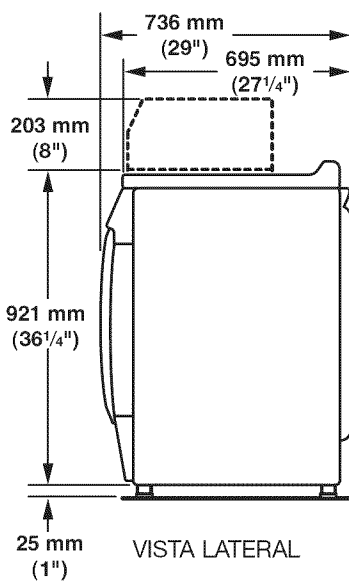
**Dimensiones del producto:
Secadora de 686 mm (27")**



VISTA FRONTAL



VISTA POSTERIOR



VISTA LATERAL

Requisitos eléctricos

Esta secadora se suministra sin cable eléctrico ni enchufe. Debe ser conectada por un electricista competente a un suministro eléctrico monofásico al voltaje mostrado en la placa, usando una instalación apropiada de cableado fijo de acuerdo a las normas de cableado locales y nacionales.

- Debe usarse un cable circular de tres hilos de tamaño mínimo de conductor con un área de sección transversal de 2,5 mm².
- Debe usarse un fusible de suministro de 30 A y deberá incluirse un interruptor con un contacto de separación en ambos polos que provea una desconexión completa bajo condiciones de voltaje excesivo de categoría III en el cableado fijo, de acuerdo con las normas de cableado locales. La secadora deberá colocarse de manera tal que el interruptor de desconexión esté fácilmente accesible para el usuario.
- La secadora viene provista con una abrazadera de sujeción para cables, la cual debe apretarse al completar el cableado. Las terminales eléctricas principales están ubicadas detrás del pequeño panel de acceso trasero (cubierta del bloque terminal), y las conexiones deben hacerse de acuerdo a las marcas del terminal. Recuerde que debe volver a colocar el panel de acceso del terminal (cubierta del bloque terminal).

NOTA: De acuerdo a la Directiva EMC Europea (2004/108/EC), la impedancia máxima del sistema de suministro de electricidad máxima a la cual la secadora eléctrica debe estar conectada es 0,29 Ohm + j0,18 Ohm.

⚠ ADVERTENCIA



Peligro de descarga eléctrica

Ésta es una secadora de 3 hilos y debe estar conectada a tierra.

No haga la conexión a tierra sobre una tubería de gas.

No seguir estas instrucciones puede ocasionar la muerte, incendio o lesiones graves.

Si los códigos lo permiten y se emplea una ligadura de conexión a tierra adicional, es recomendable que un electricista calificado determine si la trayectoria de conexión a tierra de la ligadura es adecuada.

Método recomendado de conexión a tierra

- Es su responsabilidad ponerse en contacto con un instalador eléctrico calificado para asegurarse de que la instalación eléctrica sea adecuada y de conformidad con todos los códigos y ordenanzas locales.

Requisitos de ventilación

⚠ ADVERTENCIA



Peligro de Incendio

- Use un conducto de escape de metal pesado.**
- No use un conducto de escape de plástico.**
- No use un conducto de escape de aluminio.**
- No seguir estas instrucciones puede ocasionar la muerte o incendio.**

ADVERTENCIA: Para reducir el riesgo de incendio, esta secadora DEBE VENTILARSE HACIA EL EXTERIOR.

- Deberá proveerse una ventilación adecuada para evitar el contraflujo de gases de aparatos que consuman otros combustibles, incluidos fuegos abiertos, en la habitación (por ejemplo, el flujo de aire disponible que entre en la habitación deberá coincidir con el flujo de aire que sale de la misma).
- El conducto de escape de la secadora no puede descargarse en un conducto de humo usado para humos de salida de aparatos que consumen gas u otros combustibles, una chimenea, pared, techo, espacio oculto de un edificio o cualquier otro conducto usado para la ventilación.
- No use una capota de ventilación con pestillo magnético.
- No instale el conducto de escape de metal flexible en paredes, techos o pisos encerrados.
- Deben usarse abrazaderas y conductos de escape de metal pesado de 102 mm (4").
- Utilice abrazaderas para sellar todas las juntas. No debe conectarse ni asegurarse el conducto de escape con tornillos ni con ningún otro dispositivo que se extienda hacia el interior de dicho conducto y atrape pelusa. No utilice cinta para conductos.

IMPORTANTE: Observe todos los códigos y reglamentos aplicables.

Use un conducto de escape de metal pesado. No use conducto de escape de plástico o de hoja de metal.

Se recomienda un conducto de escape de metal rígido para evitar que se aplaste o se tuerza.

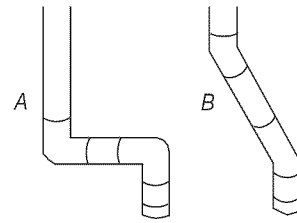
El conducto de escape de metal flexible debe extenderse y sostenerse por completo cuando la secadora está en su ubicación final. Quite el exceso del conducto de metal flexible para evitar que se doble y se tuerza, lo cual dará lugar a una reducción del flujo de aire y a un rendimiento insuficiente.

Una capota de ventilación debe tapar el conducto de escape para evitar el ingreso de roedores e insectos al edificio.

La capota de ventilación debe estar al menos a 305 mm (12") del piso o de cualquier objeto que pueda encontrarse en el paso del escape (tales como flores, piedras o arbustos).

Si se usa un sistema de ventilación existente, limpie la pelusa que está en toda la longitud del sistema y asegúrese de que la capota de ventilación no esté obstruida con pelusa. Reemplace cualquier conducto de escape de plástico o de hoja de metal por uno de metal rígido o flexible.

Planifique la instalación a fin de usar el menor número posible de codos y vueltas.



Flujo de aire de escape

A. Bueno

B. Mejor

Cuando use codos o haga vueltas, deje todo el espacio que sea posible. Doble el conducto gradualmente para evitar torceduras.

La salida de ventilación está ubicada en el centro de la parte posterior de la secadora inferior.

El conducto de escape puede ser dirigido hacia arriba, hacia abajo, a la izquierda, derecha, detrás de la secadora o directamente hacia atrás por la parte posterior de la misma.

Largo del sistema de ventilación

La longitud máxima del sistema de ventilación depende del tipo de conducto que se use, el número de codos y el tipo de capota de ventilación.

Longitud máxima del conducto de escape

Conducto de escape de metal rígido	Capotas de ventilación de 102 mm (4")		
	Caja	Persiana	Angular de 64 mm (2½")
N° de vueltas de 90°	Capota de ventilación tipo caja y tipo persiana	Capota de ventilación angular	
0	39,6 m (130 pies)	39,3 m (129 pies)	
1	38,1 m (125 pies)	36,3 m (119 pies)	
2	35,1 m (115 pies)	33,2 m (109 pies)	
3	32,3 m (106 pies)	30,5 m (100 pies)	
4	98 m (98 pies)	28 m (92 pies)	

Si la secadora está instalada en un área cerrada tal como un dormitorio, baño o armario, deberán tomarse las provisiones necesarias para que haya aire suficiente para la combustión y la ventilación. (Verifique los códigos y reglamentos aplicables.) Vea "Instrucciones para la instalación empotrada o en armario" en la sección "Requisitos de ubicación".

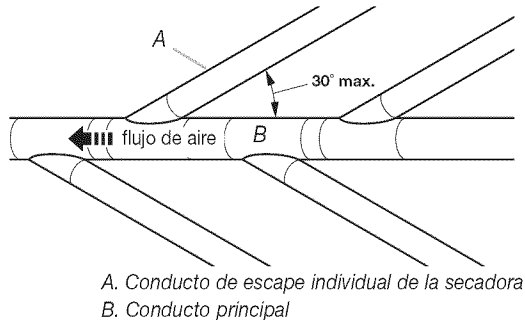
Se prefiere una capota de salida de 102 mm (4"). Aún así, podrá usarse una salida de escape de 64 mm (2½"). Una salida de 64 mm (2½") ocasiona mayor contrapresión que los otros tipos de capotas. Para una instalación permanente, se necesita un sistema fijo de ventilación.

Ventilación para múltiples secadoras

- Puede usarse un conducto principal para ventilar un grupo de secadoras. El conducto principal debe ser del tamaño como para eliminar 5663 l/min (200 pies cúbicos por minuto) de aire por secadora. Pueden usarse filtros de pelusa de gran capacidad con diseño apropiado en el conducto principal si se revisan y se limpian frecuentemente. La habitación en donde estén ubicadas las secadoras deberá tener aire suficiente o mayor de todas las secadoras en la habitación.
- Un juego de compuerta de contratiro es necesario y está disponible de un distribuidor de productos de lavandería comercial y debe instalarse en cada conducto de escape de las secadoras para evitar que el aire de escape regrese a las secadoras y para mantener el escape en balance con la ventilación principal. Se requieren aberturas de vuelta de aire sin obstrucción.

Cada conducto de escape debe entrar en el conducto principal a un ángulo que apunte en la dirección del flujo de aire. Los conductos de escape que entren por el lado opuesto deben alternarse para lograr que el aire de escape reduzca su interferencia con otros conductos de escape.

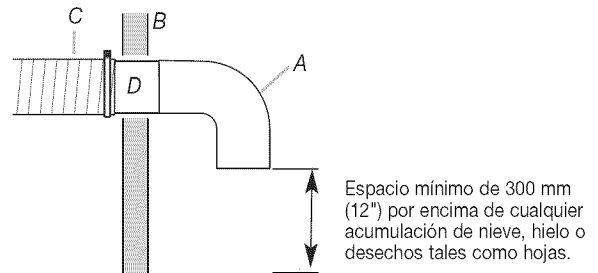
El ángulo máximo de cada conducto que entra en el conducto principal deberá ser no más de 30°.



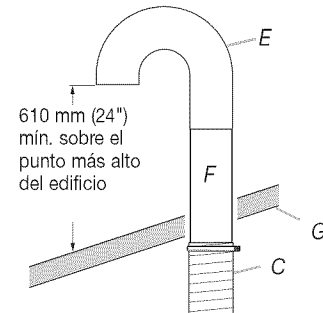
Mantenga las aberturas de aire libres de los gases de los líquidos de limpieza en seco. Los gases producen ácidos, los cuales pueden dañar las secadoras y los artículos que se estén secando cuando pasan a través de las unidades de calentamiento de las secadoras.

Debe ubicarse una cubierta de limpieza en el conducto principal para una limpieza periódica del sistema de ventilación.

Si no puede usarse una capota de ventilación:



- A. Capota de ventilación o codo
- B. Pared
- C. Conducto colector principal
- D. Conducto horizontal
- E. Codo curvado a 180°
- F. Conducto vertical
- G. Techo



El extremo exterior del conducto principal debe tener un codo curvado dirigido hacia abajo. Si el conducto principal viaja verticalmente a través del techo, en lugar de la pared, instale un codo curvado a 180° en el extremo del conducto de escape, por lo menos a 610 mm (2 pies) sobre la parte más alta del edificio. La abertura de la pared o del techo debe tener un diámetro de 13 mm (1/2") más grande que el diámetro del conducto. El conducto debe estar centrado en la abertura.

No instale una malla metálica ni una tapa sobre el extremo del conducto.

INSTRUCCIONES DE INSTALACIÓN - SECADORA ELÉCTRICA

Instalación de las patas niveladoras

⚠ ADVERTENCIA

Peligro de peso excesivo

Use dos o más personas para mover e instalar la secadora.

No seguir esta instrucción puede ocasionar una lesión en la espalda u otro tipo de lesiones.

NOTA: Deslice la secadora sobre un pedazo de cartón o madera dura antes de moverla por el piso para no dañar el acabado de éste.

1. Con la ayuda de dos o más personas, mueva la secadora al lugar deseado para su instalación.

2. Remueva la cinta de las esquinas frontales de la secadora. Abra la secadora y saque los paquetes que contienen la bolsa con documentos y las piezas. Limpie el interior del tambor minuciosamente con un paño húmedo.
3. Tome dos de los esquinales de cartón de la caja y colóquelos sobre el piso, en la parte posterior de la secadora. Sujete con firmeza el cuerpo de la secadora y colóquela con cuidado sobre su parte posterior, encima de los esquinales de cartón.
4. Con una de las patas a mano, fíjese en las ranuras para encontrar la marca en forma de diamante. Hasta ahí es donde la pata debe introducirse en el orificio.

- Comience a atornillar las patas niveladoras en los orificios con la mano. (Use una pequeña cantidad de detergente líquido para lubricar las roscas del tornillo, y hacer de esa manera más fácil el girar las patas.) Use una llave de tuercas de 25 mm (1") o una llave de cubo para terminar de girar las patas, hasta llegar a la marca con forma de diamante. Luego haga encajar una cubierta protectora sobre cada pata.
Ahora ponga la secadora de pie.
- Quite el cartón o madera que se encuentra debajo de la secadora. Incline las patas de la secadora hacia arriba o hacia abajo hasta que la misma quede nivelada.

Conexión eléctrica

⚠ ADVERTENCIA



Peligro de descarga eléctrica

Ésta es una secadora de 3 hilos y debe estar conectada a tierra.

Apriete firmemente todas las conexiones eléctricas.

No seguir estas instrucciones puede causar la muerte, incendio, o descarga eléctrica.

Esta secadora se ha suministrado sin cable eléctrico ni enchufe y debe ser conectada por un electricista calificado. Vea "Requisitos eléctricos".

Conexión del conducto de escape

- Usando una abrazadera de 102 mm (4"), conecte el conducto de escape a la salida de aire en la secadora. Si se conecta a un conducto de escape existente, asegúrese de que el mismo esté limpio. El conducto de escape de la secadora debe encajar sobre la salida de aire de la secadora y dentro de la capota de ventilación. Cerciórese de que el conducto de escape esté asegurado a la capota de ventilación con una abrazadera de 102 mm (4").
- Mueva la secadora a su posición final. No aplaste ni retuerza el conducto de escape. Asegúrese de que la secadora esté nivelada.

Complete la instalación

- Con la secadora en su posición final, coloque un nivel sobre la secadora, primero de lado a lado; luego de adelante para atrás. Si la secadora no está nivelada, ajuste las patas de la secadora hacia arriba o hacia abajo hasta que esté nivelada.
- Conecte el suministro de energía.
- Revise el funcionamiento de la secadora:
Presione el botón para seleccionar un ciclo completo y deje que la secadora funcione durante cinco minutos por lo menos. La secadora se detendrá cuando se haya terminado el tiempo.
NOTA: La puerta de la secadora se debe cerrar para que la misma funcione. Cuando se abre la puerta, la secadora se detiene pero el temporizador continúa funcionando. Para hacer que la secadora empiece un ciclo de nuevo, cierre la puerta y presione el botón de un programa.
- Ponga la secadora en marcha y permita que termine un ciclo completo, para asegurarse de que esté funcionando adecuadamente.

INSTRUCCIONES DE MANTENIMIENTO

Instrucciones de mantenimiento:

- Limpie el filtro de pelusa después de cada ciclo.
- Eliminación de pelusa acumulada:
 - En el interior de la carcasa de la secadora:
Según el uso de la secadora, se debe quitar la pelusa cada 2 años, o con más frecuencia. La limpieza deberá efectuarla una persona calificada.
 - En el conducto de escape:
Según el uso de la secadora, se debe quitar la pelusa cada 2 años, o con más frecuencia.

Si la secadora no funciona, revise lo siguiente:

- Que el suministro eléctrico esté conectado.
- Que el cortacircuitos no se disparó o el fusible de la casa no está quemado.
- Que la puerta esté cerrada. Escuche detenidamente para oír cuando se activa el (los) interruptor(es) de la puerta.
- Que el botón de ciclos seleccionado se ha presionado con firmeza y la pantalla muestra la duración del ciclo.

AYUDA O SERVICIO TÉCNICO

Para obtener asistencia adicional

Si necesita asistencia adicional, puede escribir o llamar con cualquier pregunta o duda a:

Whirlpool UK Ltd.
209 Purley Way
Croydon
CR9 4RY
U.K.
Teléfono: 0208 649 5000

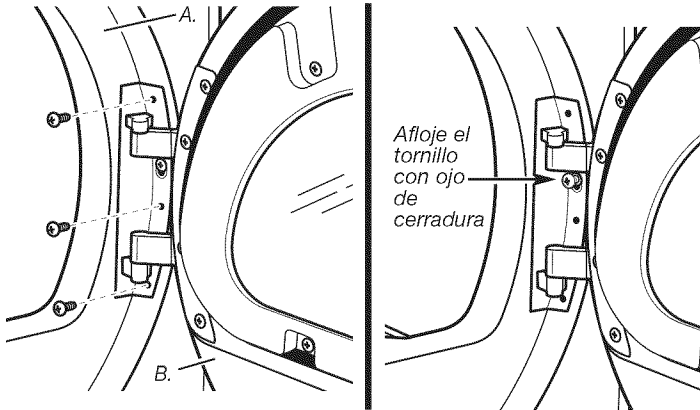
CÓMO INVERTIR EL SENTIDO DE APERTURA DE LA PUERTA

Se puede invertir el sentido de apertura de la puerta del lado derecho al lado izquierdo, si lo desea.

Coloque una toalla o un paño suave sobre la secadora o la superficie de trabajo, para evitar dañar la superficie.

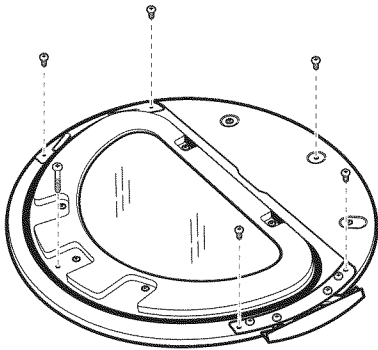
Cómo quitar el ensamblaje de la puerta

1. Quite 3 de los 4 tornillos que sostienen la bisagra de la puerta sobre el panel frontal de la secadora. Afloje parcialmente el tornillo con ojo de cerradura restante y levante la puerta del tornillo para separarla.

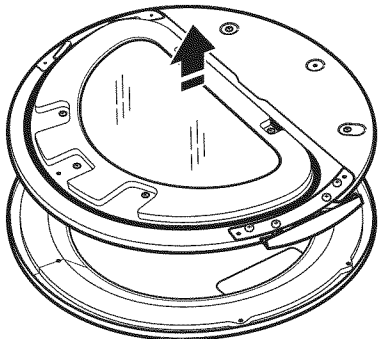


A. Panel frontal de la secadora
B. Ensamblaje de la puerta

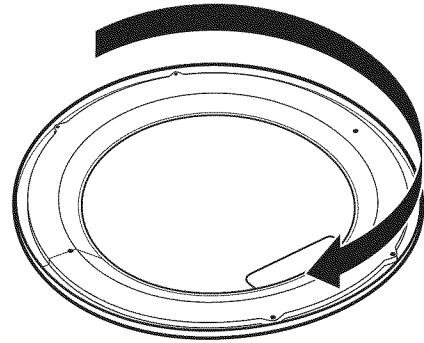
2. Coloque el ensamblaje de la puerta sobre una superficie plana previamente preparada, con el lado interior (ensamblaje interior de la puerta) mirando hacia arriba.
3. Quite los 6 tornillos Phillips para liberar el ensamblaje exterior de la puerta del ensamblaje interior de la puerta, como se indica a continuación. Vea la ilustración. Es importante que quite solamente los 6 tornillos indicados.



4. Levante el ensamblaje interior de la puerta y sáquelo del ensamblaje exterior de la puerta.

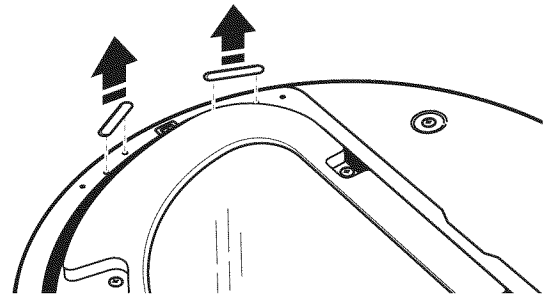


5. Gire la puerta exterior 180°.

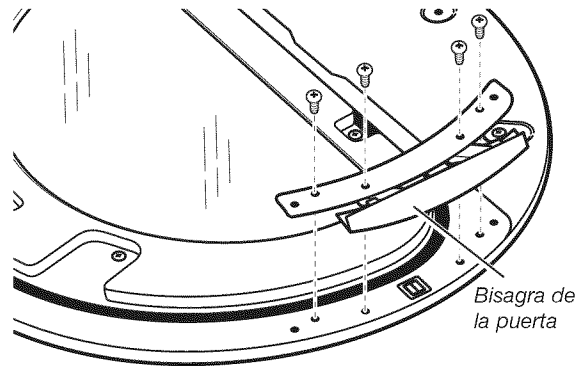


Invierta la bisagra

1. Use un pequeño destornillador de hoja plana para quitar las 2 cintas de los tapones de la puerta interior. Deslice la cabeza del destornillador debajo de los tapones, siendo cuidadoso de no rayar la superficie interior de la secadora. Levántelos.

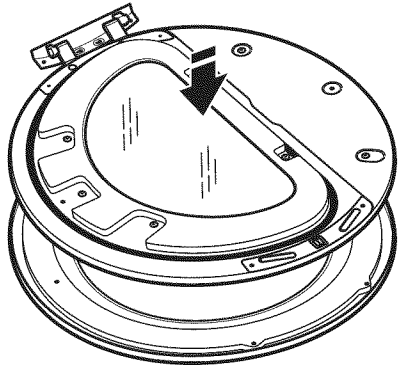


2. Quite los 4 tornillos que sostienen la bisagra de la puerta interior y mueva la bisagra al lado opuesto. Vuelva a instalar los 4 tornillos.

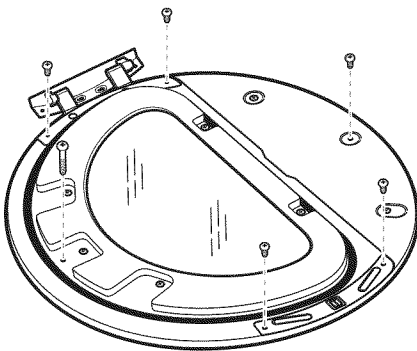


3. Reinstale las cintas de los tapones en el lado opuesto de la puerta interior.
4. Fíjese si hay huellas digitales en el vidrio. Limpie el vidrio si es necesario.

- Coloque el ensamblaje interior de la puerta dentro del ensamblaje exterior de la puerta. Para que encaje correctamente, el borde del ensamblaje interior de la puerta encaja completamente dentro del borde del ensamblaje exterior de la puerta.

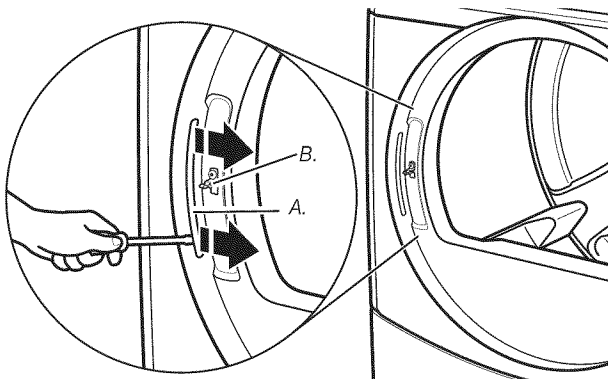


- Vuelva a colocar los ensamblajes interior y exterior de la puerta con los 6 tornillos.



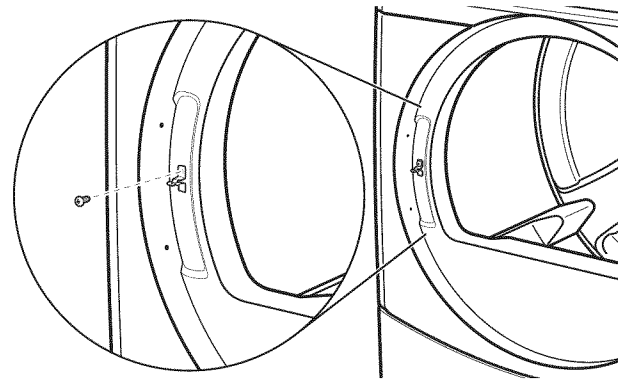
Cómo invertir el tope

- Use un pequeño destornillador de hoja plana para quitar la cinta del tapón del lado de apertura de la puerta de la secadora. Deslice la cabeza del destornillador debajo de los tapones, siendo cuidadoso de no rayar la superficie de la secadora. Levante lentamente la tira de plástico de la secadora para evitar que se deforme la cinta del tapón.



A. Cinta de los tapones
B. Tope de la puerta

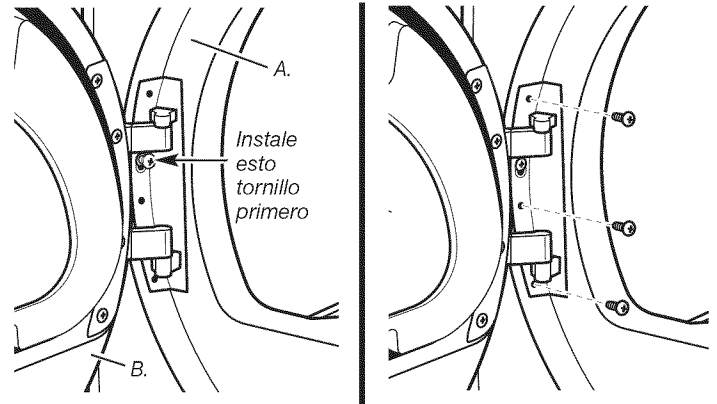
- Quite el tope con un destornillador Phillips.



- Instale el tope en el lado opuesto.

Vuelva a instalar la puerta

- Vuelva a sujetar la puerta al panel frontal de la secadora con los 4 tornillos. Instale parcialmente el tornillo con ojo de cerradura primero y haga encajar el ojo de cerradura en la bisagra sobre el tornillo. Después instale los 3 tornillos restantes y apriete todos los 4 tornillos.



A. Panel frontal de la secadora
B. Ensamblaje de la puerta

- Fíjese si hay huellas digitales en el vidrio. Limpie el vidrio si es necesario.
- Cierre la puerta y compruebe que se cierra con seguridad.

PROGRAMACIÓN DEL CONTROL ELECTRÓNICO

ADVERTENCIA

Peligro de descarga eléctrica

Desconecte el suministro de energía antes de darle servicio.

Vuelva a colocar todas las piezas y paneles antes de ponerlo a funcionar.

No seguir esta instrucción puede ocasionar la muerte o descarga eléctrica.

IMPORTANTE

Descarga electrostática (DES) Componentes electrónicos sensibles

La descarga electrostática se encuentra presente en cualquier lugar. Las descargas electrostáticas pueden dañar o debilitar el ensamblaje del control electrónico. El nuevo ensamblaje del control puede parecer que funciona bien después de que se haya terminado la reparación, pero podrían ocurrir fallos en una fecha posterior debido a la tensión provocada por la descarga electrostática.

- Utilice una correa antiestática. Conecte la correa al punto verde de conexión a tierra, o a una parte de metal del aparato que no esté pintada.

-O BIEN-

Toque repetidamente con su dedo un punto verde de conexión a tierra, o a una parte de metal del aparato que no esté pintada.

- Antes de sacar la pieza de su paquete, toque con la bolsa antiestática un punto verde de conexión a tierra o una parte de metal del aparato que no esté pintada.
- Evite tocar las piezas electrónicas o los contactos de los terminales; manipule el ensamblaje del control electrónico solamente por los bordes.
- Cuando vuelva a empaquetar el ensamblaje del control electrónico que haya fallado en una bolsa antiestática, observe las instrucciones arriba mencionadas.

PANTALLA

Después de que se ha instalado la secadora y se ha conectado al suministro de energía, la pantalla mostrará '0 minutes' (0 minutos).

Una vez que la secadora se ha conectado al suministro eléctrico y la puerta de la secadora se ha abierto y cerrado, la pantalla destellará 'SELECT CYCLE'.

SELECT CYCLE



INFORMACIÓN GENERAL PARA EL USUARIO

Aparece 'out of order' (fuera de servicio) en la pantalla

Esta condición indica que la secadora es inoperante. Al mensaje rotatorio le seguirá un código de diagnóstico o de fallo.

Aparece '0 Minutes' (0 minutos) en la pantalla

Esta condición indica que el aparato no puede usarse hasta que se abra y se cierre la puerta, lo cual reanuda el funcionamiento normal. Si un interruptor de una puerta falla, éste se debe reemplazar antes de que se pueda reanudar el funcionamiento normal.

Inicio en frío (primer uso)

La secadora está programada de fábrica como se describe a continuación:

- Tiempo de secado de 45 minutos.

Inicio con calor (después de un corte de corriente)

Si un ciclo se encontraba funcionando cuando ocurrió un corte de corriente, unos segundos después de que la misma se reestablezca, destellará 'RESELECT CYCLE' (Volver a elegir el ciclo) en la pantalla. Esto es para indicar la necesidad de que se presione un botón de selección de telas para reiniciar la secadora.

La secadora se prepara previamente para una operación con ciclo gratuito, de manera que se puede poner a funcionar sin pago.

SICUREZZA DELL'ASCIUGATRICE

La sicurezza dell'utente e degli altri è fondamentale.

Il presente manuale e l'elettrodomestico stesso contengono numerosi importanti messaggi sulla sicurezza. Leggere e seguire sempre tutti i messaggi di sicurezza.



Questo è il simbolo che indica un pericolo.

Questo simbolo avverte l'utente dei possibili pericoli mortali per sé e per gli altri.

Tutti i messaggi di sicurezza sono contrassegnati dal simbolo di allarme sicurezza e dalle parole "PERICOLO" o "AVVERTENZA". Significato:

⚠ PERICOLO

Pericolo di morte o di lesioni gravi in caso di mancata osservanza immediata delle istruzioni.

⚠ AVVERTENZA

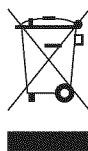
Pericolo di morte o di lesioni gravi in caso di mancata osservanza delle istruzioni.

Tutti i messaggi di sicurezza informano l'utente sulla tipologia del pericolo, su come ridurre il rischio di lesioni e su cosa può succedere in caso di mancata osservanza delle istruzioni.

PER LA TUA SICUREZZA

1. Non utilizzare o conservare benzina o altri materiali infiammabili nell'apparecchiatura o nelle sue vicinanze.
2. Non spruzzare l'aerosol nelle vicinanze dell'apparecchiatura quando è in funzione.
3. Non modificare l'apparecchiatura.

SMALTIMENTO DELL'ASCIUGATRICE



Questo elettrodomestico è stato contrassegnato in ottemperanza alla Direttiva Europea 2002/ 96/ EC sulle Attrezzature Elettriche ed Elettroniche da Smaltire (WEEE).

Assicurarsi che questo prodotto venga eliminato correttamente, in modo da evitare possibili conseguenze dannose per l'ambiente e la salute umana, che potrebbero altrimenti sorgere dalla gestione errata dello smaltimento dell'elettrodomestico stesso.

Il simbolo sul prodotto, o sui documenti che lo accompagnano, indica che questo elettrodomestico non deve essere trattato come un rifiuto domestico. Deve, al contrario, essere consegnato al punto di raccolta previsto per il riciclaggio di attrezzature elettriche ed elettroniche.

L'eliminazione deve essere eseguita in ottemperanza alle norme ambientali sullo smaltimento dei rifiuti.

Per ulteriori informazioni dettagliate sul trattamento, il recupero ed il riciclaggio di questo prodotto, si prega di contattare l'ufficio municipale più vicino, il servizio di smaltimento dei rifiuti domestici o il negozio dove è stato acquistato questo prodotto.

REQUISITI D'INSTALLAZIONE

Attrezzi e componenti

Raccogliere gli attrezzi e i componenti necessari prima di iniziare l'installazione. Legga e segua le istruzioni fornite di tutto l'attrezzo elencato qui.

Attrezzi necessari:

- Chiave per tubi da 200 mm (8") o da 250 mm (10")
- Chiave regolabile da 200 mm (8") o da 250 mm (10")
- Cacciavite a testa piatta
- Cacciavite Phillips
- Chiave regolabile con apertura a 2,5 cm (1") o chiave a tubo esagonale
- Livello
- Chiave a tubo da 8 mm (5/16")
- Coltello multiuso
- Morsetti per lo scarico
- Pistola per presellatura e presello (per l'installazione del nuovo scarico)
- Pinza
- Spatola per stucco (lama rigida)

Componenti in dotazione:

Rimuovere il sacchetto dei componenti dall'asciugatrice. Controllare che vi siano inclusi tutti i pezzi necessari.

- Protezione piede (4)
- Piede asciugatrice (4)

NOTA: lo schema del circuito della macchina è situato all'interno del pannello inferiore anteriore, tra i Fogli Tecnici.

Caratteristiche tecniche:

220 – 240 V, 50 Hz CA

Capienza dell'asciugatrice:

9 Kg max.

Requisiti per il posizionamento

⚠ AVVERTENZA



Rischio di esplosione

Tenere materiali e vapori infiammabili, quali benzina, lontani dall'asciugatrice.

Non installare in un garage.

La mancata osservanza di queste precauzioni può provocare la morte, esplosioni o incendi.

IMPORTANTE: rispettare le normative e le ordinanze governative.

- Controllare i requisiti normativi: alcune normative limitano o proibiscono l'installazione di asciugatrici in garage, armadi o luoghi dove si dorme. Contattare l'ispettore edilizio locale.
- Non installare su tappeti.

NOTA: non installare l'asciugatrice in una zona esposta ad acqua e/o intemperie.

Istruzioni di installazione incassata e in armadi

È possibile installare l'asciugatrice incassata o in un armadio. Non installare l'asciugatrice dietro a una porta bloccabile, scorrevole o con la cerniera nella parte opposta dell'asciugatrice.

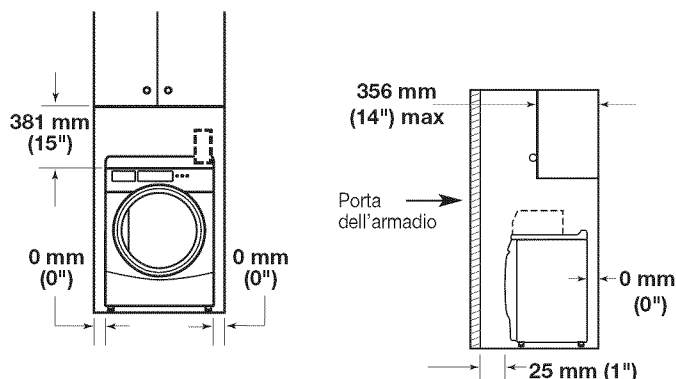
Lo spazio di installazione è in millimetri e rappresenta il minimo consentito. Per agevolare le operazioni di installazione e assistenza e per rispettare la conformità con le normative locali, è opportuno considerare spazio aggiuntivo.

Se si installa una porta dell'armadio, è necessaria un'apertura non ostruita nella parte superiore e inferiore. Sono accettabili porte a persiana o simili.

Lo scarico dell'asciugatrice deve essere diretto all'esterno.

Non installare altre apparecchiature a combustione nello stesso armadio dell'asciugatrice.

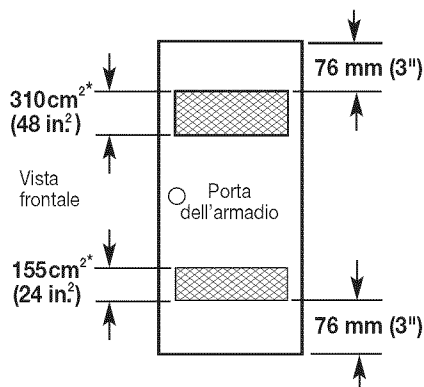
Spazi minimi di installazione



Vista frontale a incasso

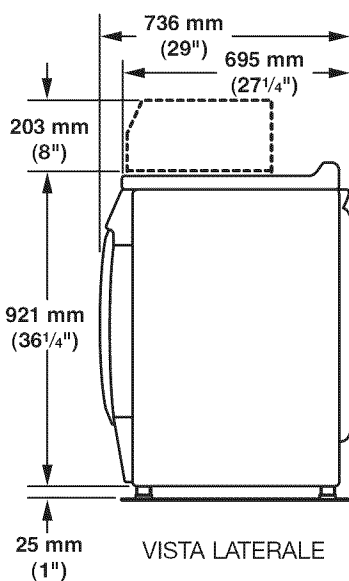
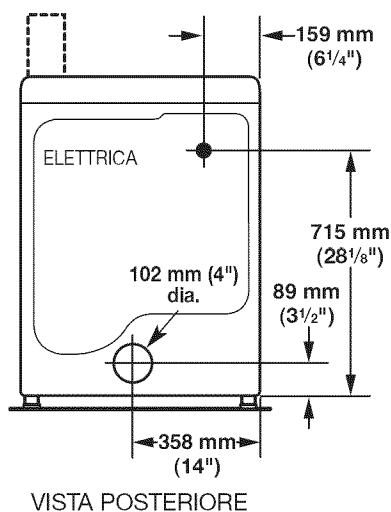
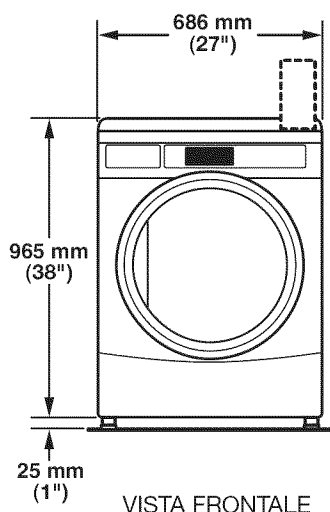
Vista laterale armadio

Può essere necessario disporre di spazio aggiuntivo per pareti, sportelli e porte, oppure nel caso in cui venga utilizzato un gomito di scarico esterno.



*L'apertura rappresenta il minimo per la porta dell'armadio. Sono accettabili porte a persiana o simili.

Dimensioni dell'asciugatrice da 686 mm (27")



Requisiti elettrici - Asciugatrice elettrica

L'asciugatrice è sprovvista di cavo elettrico e presa. La connessione a una fonte di elettricità a fase singola deve essere eseguita da un elettricista esperto, in rispetto della tensione espressa sulla targhetta dei dati, tramite l'installazione di un cavo fisso che rispetti i requisiti di cablaggio locali e nazionali.

- Utilizzare un cavo a sezione circolare a tre fili, con sezione trasversale del conduttore di dimensioni minime di 2,5 mm².
- Utilizzare un fusibile di alimentazione da 30 A e incorporare un interruttore dotato di separazione dei contatti in entrambi i poli, che fornisca la disconnessione totale in condizioni di sovratensione di categoria III al cablaggio fisso in conformità con i requisiti di cablaggio locali. Posizionare l'asciugatrice in modo che l'interruttore di disconnessione sia facilmente accessibile.
- L'asciugatrice è provvista di una boccola per il morsetto del cavo da serrare una volta terminato il cablaggio. I terminali della rete elettrica sono posizionati dietro il piccolo pannello di accesso posteriore (coperchio di blocco dei terminali). Eseguire le connessioni rispettando i contrassegni dei terminali. Ricordarsi di sostituire il pannello di accesso ai terminali (coperchio di blocco dei terminali).

NOTA: in rispetto della Direttiva europea EMC (2004/108/CE), l'impedenza massima del sistema di alimentazione elettrica a cui connettere l'asciugatrice è dichiarata pari a 0,29 Ohm + j0,18 Ohm.

⚠ AVVERTENZA



Pericolo di scossa elettrica

Si tratta di un'asciugatrice a tre fili da mettere a terra.

Non mettere a terra verso un tubo di gas.

La mancata osservanza di queste istruzioni può causare morte, incendi o gravi lesioni.

Qualora le normative lo consentano, si utilizza un cavo di messa a terra aggiuntivo, facendo determinare a un elettricista esperto il percorso adeguato.

Metodo di messa a terra consigliato

- Ricade sotto la responsabilità dell'utente contattare un elettricista esperto che garantisca che l'installazione elettrica sia adeguata e conforme a tutte le normative e le ordinanze locali.

Requisiti di scarico

AVVERTENZA



Rischio di incendio

Utilizzare uno scarico in metallo pesante.

Non utilizzare uno scarico in plastica.

Non utilizzare uno scarico in lamina metallica.

La mancata osservanza di queste istruzioni può causare morte o incendi.

AVVERTENZA: per ridurre il rischio di incendio, LO SCARICO DELL'ASCIUGATRICE DEVE ESSERE DIRETTO VERSO L'ESTERNO.

- Fornire una ventilazione adeguata per evitare il riflusso di gas all'interno della stanza, derivante da apparecchiature a combustione, incluse le fiamme vive (ovvero il flusso di aria disponibile all'interno della stanza deve essere pari a quello esterno).
- Non far scaricare l'asciugatrice nella stessa canna fumaria, parete, soffitto o spazio nascosto utilizzato per scaricare i fumi generati da apparecchiature che bruciano gas o altri combustibili, o qualsiasi altra apertura usata come scarico.
- Non utilizzare cappe con blocco magnetico.
- Non installare uno scarico in metallo flessibile in pareti, soffitti o pavimenti chiusi.
- Utilizzare morsetti e uno scarico in metallo pesante da 102 mm (4").
- Utilizzare i morsetti per sigillare tutti i raccordi. Non connettere o fissare lo scarico con viti o altri dispositivi di fissaggio che si estendano all'interno dello stesso ed attragano garza. Non utilizzare nastro isolante.

IMPORTANTE: rispettare le normative e le ordinanze governative.

Utilizzare uno scarico in metallo pesante. Non utilizzare uno scarico in plastica o lamina metallica.

Si consiglia uno scarico in metallo rigido per evitare piegature e attorcigliamenti.

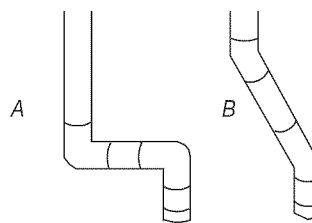
Stendere completamente lo scarico in metallo flessibile e sostenerlo quando l'asciugatrice si trova in posizione finale. Eliminare lo scarico in metallo flessibile in eccesso per evitare cedimenti e attorcigliamenti che ridurrà il flusso dell'aria e rendere scarse le prestazioni.

Coprire lo scarico con una cappa per evitare l'ingresso di roditori e insetti al edificio.

La cappa di scarico deve trovarsi ad almeno 305 mm (12") da terra o dagli altri oggetti presenti nel raggio di azione dello scarico (quali fiori, pietre, cespugli).

Se si utilizza un impianto di scarico esistente, pulire tutto il sistema, accertandosi che la cappa non sia intasata con garza. Sostituire gli eventuali scarichi in plastica o lamina metallica con scarichi in metallo rigido o flessibile.

Piano di installazione per utilizzare il numero minimo di gomiti e curve.



Flusso d'aria di scarico

A. Migliore

B. Buono

Quando si utilizzano gomiti o curve prevedere il maggiore spazio possibile. Piegare lo scarico gradualmente per evitare attorcigliamenti.

L'uscita di scarico si trova al centro della parte posteriore dell'asciugatrice.

È possibile instradare lo scarico verso l'alto, il basso, a destra o a sinistra, dietro l'asciugatrice o direttamente al di fuori della parte posteriore.

Lunghezza dell'impianto di scarico

La lunghezza massima dell'impianto di scarico dipende dal tipo di scarico utilizzato, dal numero di gomiti e dal tipo di cappa.

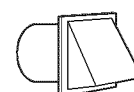
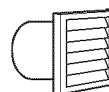
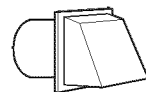
Lunghezza massima dello scarico

Cappe di scarico 102 mm (4")

Quadrata

Persiana

Angolata,
64 mm (2½")



Scarico in metallo rigido

N. di curve da 90°	Cappa quadrata e a persiana	Cappa angolata
0	39,6 m (130 piedi)	39,3 m (129 piedi)
1	38,1 m (125 piedi)	36,3 m (119 piedi)
2	35,1 m (115 piedi)	33,2 m (109 piedi)
3	32,3 m (106 piedi)	30,5 m (100 piedi)
4	98 m (98 piedi)	28 m (92 piedi)

Se l'asciugatrice viene installata in un'area ristretta, quale una camera da letto, un bagno o un armadio, fornire aria a sufficienza per la combustione e la ventilazione (rispettare le normative e le ordinanze governative). Consultare "Istruzioni di installazione a incasso e in armadi", nella sezione "Requisiti per il posizionamento".

È preferibile una cappa con uscita da 10,2 cm (4") Tuttavia, è possibile utilizzare una cappa di scarico con uscita da 64 mm (2½"). Una cappa di scarico con uscita da 64 mm (2½") genera una pressione maggiore rispetto agli altri tipi di cappa. Per installazioni permanenti, è necessario un impianto di scarico fisso.

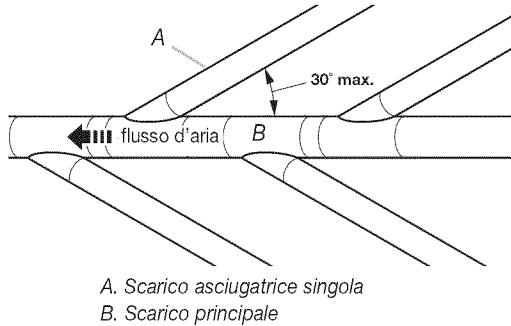
Scarico di asciugatrici multiple

- Per lo scarico di un gruppo di asciugatrici è possibile utilizzare uno scarico principale. Lo scarico principale deve avere dimensioni tali da rimuovere 5663 l/min (200 CFM) d'aria per asciugatrice. Nello scarico principale sono utilizzabili filtri in garza di grande capacità progettati appositamente. La stanza in cui vengono sistemate le asciugatrici deve prevedere un rinnovo d'aria uguale o maggiore al flusso d'aria di tutte le asciugatrici presenti.

- È necessario il kit di attenuazione del ritorno d'aria disponibile presso i rivenditori di lavatrici e va installato nello scarico di ciascuna asciugatrice per evitare il ritorno dell'aria e per mantenere lo scarico in equilibrio all'interno dello scarico principale. Sono richieste delle aperture di ritorno d'aria non ostruite.

Ciascuno scarico deve entrare nello scarico principale con un angolo che punta nella direzione del flusso d'aria. Sfalsare gli scarichi che entrano dal lato opposto per ridurre l'interferenza dell'aria di scarico con gli altri scarichi.

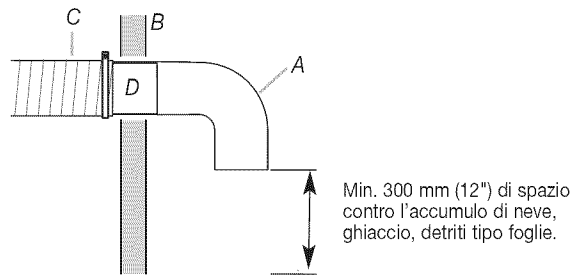
L'angolo massimo di ciascuno scarico che entra in quello principale non deve superare i 30°.



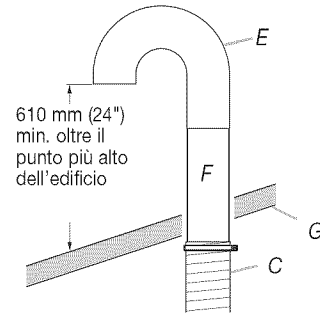
Tenere le aperture dell'aria libere da fumi dei fluidi della pulizia a secco. I fumi generano acidi, che quando passano attraverso le unità di riscaldamento dell'asciugatrice, possono danneggiare asciugatrici e carichi in fase di asciugatura.

Posizionare un coperchio a sifone sullo scarico principale per la pulizia periodica dell'impianto di scarico.

Se è impossibile utilizzare una cappa di scarico:



- A. Cappa di scarico o gomito
- B. Parete
- C. Scarico del collettore principale
- D. Scarico orizzontale
- E. Gomito da 180°
- F. Scarico verticale
- G. Tetto



L'estremità esterna dello scarico principale deve essere dotato di un gomito diretto verso il basso. Se lo scarico principale si sposta verticalmente sul tetto, piuttosto che sulla parete, installare un gomito da 180° sull'estremità dello scarico almeno 610 mm (2 piedi) oltre il punto più alto dell'edificio. L'apertura sulla parete o sul tetto deve avere un diametro di 13 mm (1/2") maggiore di quello dello scarico. Centrare lo scarico nell'apertura.

Non installare filtri o tappe oltre l'estremità dello scarico.

ISTRUZIONI D'INSTALLAZIONE

Installazione dei piedini di regolazione

AVVERTENZA

Rischio di altezza eccessiva

Per spostare e installare l'asciugatrice occorrono due o più persone.

La mancata osservanza può risultare in lesioni alla schiena o di altro tipo.

NOTA: far scivolare l'asciugatrice su cartone o pannelli prima di spostarla per evitare di danneggiare il pavimento.

1. Per spostare l'asciugatrice in posizione di installazione occorrono due o più persone.
2. Rimuovere il nastro dagli angoli anteriori dell'asciugatrice. Aprire l'asciugatrice e rimuovere le confezioni contenenti la documentazione e i componenti. Pulire a fondo la parte interna del tamburo con un panno umido.
3. Prendere due angoli di cartone della confezione e posizionarli sul pavimento nella parte posteriore dell'asciugatrice. Afferrare saldamente il corpo dell'asciugatrice distendendola sulla parte posteriore sugli angoli di cartone.

4. Reggendo uno dei piedini, controllare le creste cercando il segno a forma di diamante. È questo il modo in cui il piede deve entrare nel foro.
5. Cominciare ad avvitare a mano i piedi di regolazione nei fori (utilizzare una piccola quantità di liquido detergente per lubrificare le filettature, per rendere più semplice il movimento di rotazione). Utilizzare una chiave o una chiave a tubo da 25 mm (1") per completare l'avvitamento dei piedi fino a raggiungere il segno a forma di diamante. Posizionare una protezione sotto ciascun piede. Sollevare l'asciugatrice.
6. Rimuovere il cartone o il pannello rigido. Regolare i piedi dell'asciugatrice verso l'alto o verso il basso fino a quando l'asciugatrice non è a livello.

Connessione elettrica

AVVERTENZA



Pericolo di scossa elettrica

Si tratta di un'asciugatrice a tre fili da mettere a terra.

Serrare in modo saldo tutte le connessioni elettriche.

La mancata osservanza di queste precauzioni può provocare la morte, incendi o scosse elettriche.

L'asciugatrice è sprovvista di cavo elettrico e presa, la connessione deve essere eseguita da un elettricista esperto. Consultare i "Requisiti elettrici".

Connessione dello scarico

1. Utilizzando un morsetto da 102 mm (4"), connettere lo scarico all'uscita di scarico dell'asciugatrice. Se si collega a uno scarico esistente, verificare che lo scarico sia pulito. Lo scarico dell'asciugatrice deve trovarsi fuori l'uscita dello scarico e all'interno della cappa di scarico. Verificare che lo scarico sia fissato alla cappa tramite un morsetto da 102 mm (4").
2. Spostare l'asciugatrice nella posizione finale. Non piegare o attorcigliare lo scarico. Verificare che lo scarico sia a livello.

Completamento dell'installazione

1. Quando l'asciugatrice si trova in posizione finale, posizionare una livella sulla parte superiore prima da destra a sinistra e poi dalla parte anteriore a quella posteriore. Se l'asciugatrice non è a livello, regolare i piedini verso l'alto o verso il basso.
2. Accendere l'alimentazione.
3. Controllare il funzionamento dell'asciugatrice:
Premere il pulsante di ciclo. Utilizzando un ciclo completo, lasciare l'asciugatrice in funzione per almeno cinque minuti. Quando il tempo è trascorso l'asciugatrice si ferma.
NOTA: chiudere lo sportello dell'asciugatrice per consentirne il funzionamento. Quando lo sportello è aperto l'asciugatrice si ferma ma il timer continua ad funzionare. Per riavviare l'asciugatrice, chiudere lo sportello e premere il pulsante di ciclo.
4. Avviare l'asciugatrice e far completare il ciclo completo per verificarne il funzionamento corretto.

ISTRUZIONI PER LA MANUTENZIONE

Istruzioni di manutenzione:

- Pulire il filtro in garza dopo ogni ciclo.
- Rimozione della garza accumulata:
 - Dalla parte interna dell'asciugatrice:
Rimuovere la garza ogni 2 anni o più spesso, in base all'utilizzo dell'asciugatrice. La pulizia deve essere eseguita da personale qualificato.
 - Dallo scarico:
Rimuovere la garza ogni 2 anni o più spesso, in base all'utilizzo dell'asciugatrice.

Se l'asciugatrice non funziona controllare che:

- L'alimentazione elettrica sia connessa.
- L'interruttore di circuito non sia scattato o il fusibile non sia bruciato.
- Lo sportello sia chiuso. Fare attenzione a sentire l'attivazione degli interruttori dello sportello.
- Il pulsante di ciclo sia stato premuto e sul display appare la durata del ciclo.

ASSISTENZA O MANUTENZIONE

Per ulteriore assistenza

Se è necessaria ulteriore assistenza, è possibile scrivere o chiamare per una qualsiasi domanda o problema a:

Whirlpool UK Ltd.
209 Purley Way
Croydon
CR9 4RY
U.K.
Telefono: 0208 649 5000

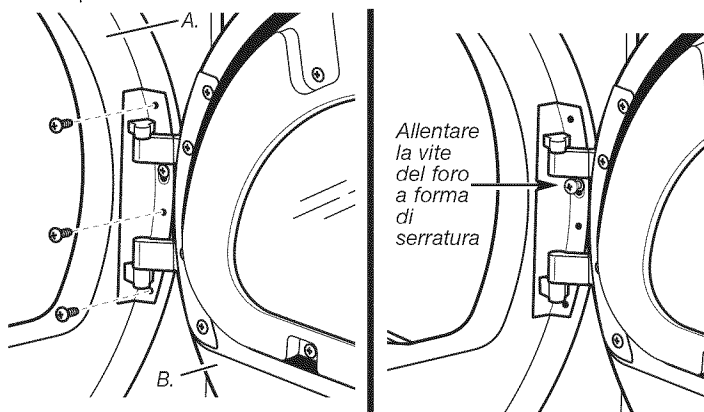
INVERSIONE DELLA ROTAZIONE DI APERTURA

La rotazione di apertura dello sportello può essere configurata verso destra o verso sinistra, in base alla necessità.

Collocare una tovaglia o un panno morbido sulla parte superiore dell'asciugatrice o dell'area di lavoro per evitare danneggiamento della superficie.

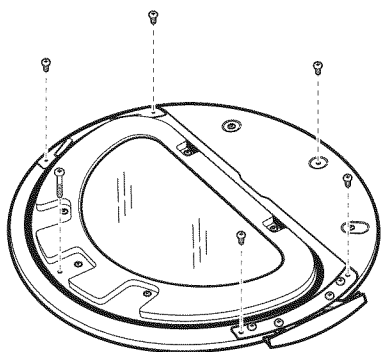
Rimozione del gruppo dello sportello

1. Rimuovere 3 delle 4 viti della cerniera dello sportello sul pannello frontale dell'asciugatrice. Allentare parzialmente la vite restante sul foro a forma di serratura e far scivolare lo sportello fuori della vite.

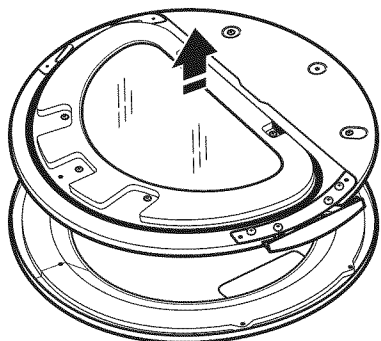


A. Pannello anteriore dell'asciugatrice
B. Gruppo sportello

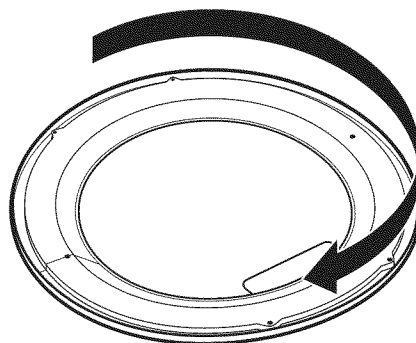
2. Appoggiare il gruppo dello sportello su una superficie piana preventivamente predisposta con la parte interna (gruppo sportello interno) rivolto verso l'alto.
3. Rimuovere le 6 viti Phillips per sganciare il gruppo sportello esterno dal gruppo sportello interno come indicato sotto. Consultare l'illustrazione. È importante che vengano rimosse solo le 6 viti indicate.



4. Separare il gruppo sportello interno dal gruppo sportello esterno.

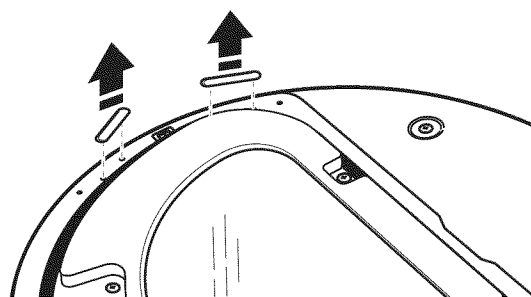


5. Ruotare il pannello esterno di 180°.

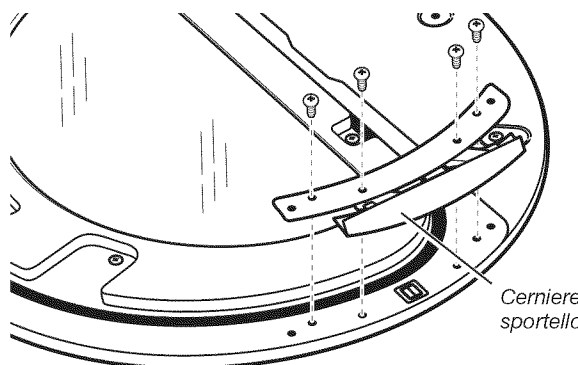


Inversione della cerniera

1. Usare un piccolo cacciavite a lama per rimuovere i due tappi a linguetta dallo sportello interno. Far scivolare la testa del cacciavite al di sotto dei tappi accertandosi di non graffiare la superficie interna dello sportello. Sollevare.

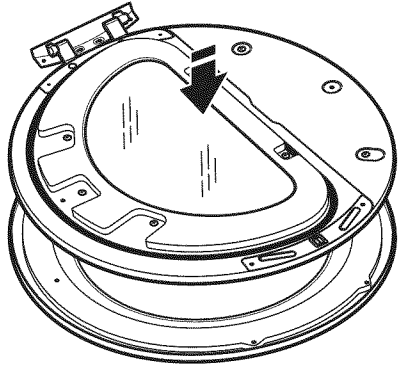


2. Rimuovere le 4 viti che fissano la cerniera dello sportello interno e spostare la cerniera sull'altro lato. Reinstallare le 4 viti.

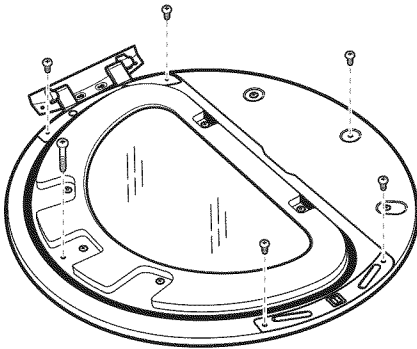


3. Reinstallare i tappi a linguetta sul lato opposto dello sportello interno.
4. Verificare che non vi siano impronte sul vetro. Pulire il vetro se necessario.

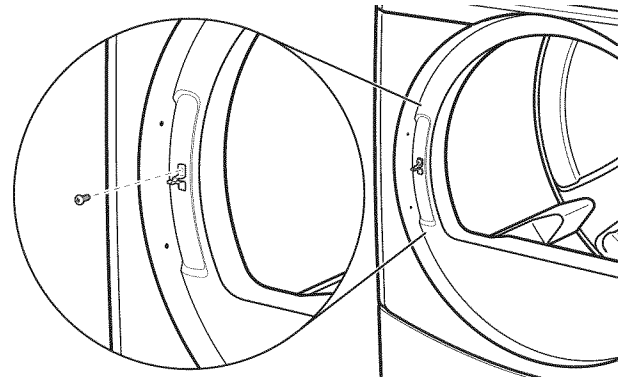
- Collocare il gruppo sportello interno dentro il gruppo sportello esterno. Per un corretto inserimento, il bordo del gruppo sportello interno deve trovarsi completamente all'interno del bordo del gruppo sportello esterno.



- Riassemblare i gruppi sportello interno ed esterno con le 6 viti.



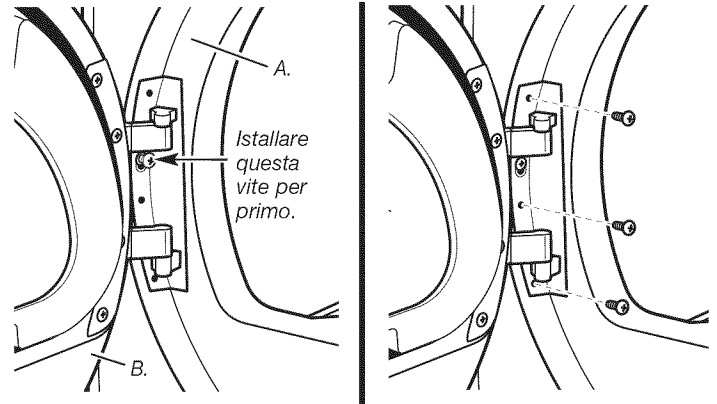
- Rimuovere il battente con un cacciavite Phillips.



- Installare il battente sul lato opposto.

Reinstallazione dello sportello

- Riapplicare lo sportello al pannello anteriore dell'asciugatrice servendosi delle 4 viti. Per primo installare parzialmente la vite del foro a forma di serratura, quindi aggiustare il foro a forma di serratura nella cerniera sopra alla vite. A questo punto, installare le 3 viti rimanenti e stringere tutte e 4 le viti.

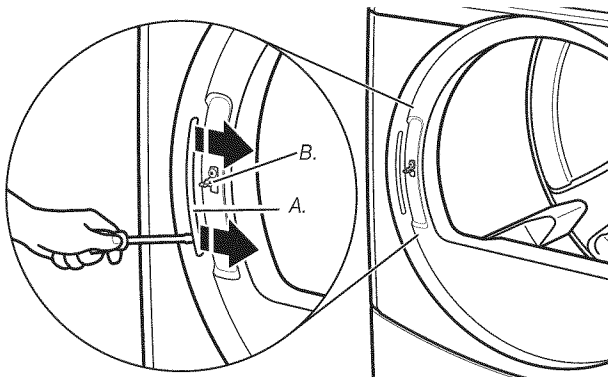


A. Pannello anteriore dell'asciugatrice
B. Gruppo sportello

- Verificare che non vi siano impronte sul vetro. Pulire il vetro, se necessario.
- Chiudere lo sportello e verificare che sia agganciato in maniera sicura.

Inversione del battente

- Usare un piccolo cacciavite a lama per rimuovere i tappi dall'apertura dello sportello dell'asciugatrice. Far scivolare la testa del cacciavite al di sotto dei tappi accertandosi di non graffiare la superficie dell'asciugatrice. Sollevare lentamente la linguetta di plastica dall'asciugatrice per evitare che i tappi a linguetta si deformino.



A. Tappo a linguetta
B. Battente dello sportello

CONFIGURAZIONE DEI CONTROLLI ELETTRONICI

⚠ ATTENZIONE



Pericolo di scossa elettrica

Scollegare l'alimentazione prima della manutenzione.

Sostituire tutte le parti e i pannelli prima di eseguire le operazioni.

La mancata osservanza di queste precauzioni può provocare la morte o scosse elettriche.

IMPORTANTE

Scarica elettrostatica (ESD) Componenti elettronici sensibili

L'ESD è presente ovunque. L'ESD potrebbe danneggiare o indebolire il gruppo dei controlli elettronici. Il nuovo gruppo comandi potrebbe tornare a funzionare bene dopo una riparazione ma potrebbe verificarsi un guasto successivo dovuto allo stress da ESD.

- Usare un bracciale da polso antistatico. Collegare il bracciale da polso al punto verde del collegamento di terra oppure al metallo non verniciato dell'elettrodomestico.

-OPPURE-

Sfiorare ripetutamente con un dito il punto verde del collegamento di terra o il metallo non verniciato dell'elettrodomestico.

- Prima di rimuovere la parte dalla confezione, mettere la sacca antistatica a contatto con un punto verde di collegamento di terra oppure con il metallo non verniciato dell'elettrodomestico.
- Evitare di toccare le parti elettroniche o i contatti del terminale; maneggiare il gruppo dei controlli elettronici esclusivamente dai bordi.
- Nel riconfezionare il gruppo dei controlli elettronici guasto nella sacca antistatica, osservare le istruzioni fornite sopra.

DISPLAY

Dopo l'installazione e il collegamento dell'asciugatrice all'alimentazione, sul display viene visualizzato '0 minutes'.

Una volta che l'asciugatrice è stata collegata e che lo sportello è aperto e chiuso, sul display apparirà 'SELECT CYCLE'.



INFORMAZIONI GENERALI PER L'UTENTE

'out of order' visualizzato sul display

Questa condizione indica che l'elettrodomestico non è in funzione. Dopo il messaggio seguirà il codice di detenzione di guasto o diagnostico.

'0 Minutes' visualizzato sul display

Questa condizione indica che l'elettrodomestico non può essere messo in funzione fin quando non è stato ripristinato il normale funzionamento aprendo e chiudendo lo sportello. Se uno degli interruttori sullo sportello si guasta, sostituirlo prima di ripristinare il normale funzionamento.

Avvio freddo (primo uso)

L'asciugatrice è programmata dalla fabbrica come segue:

- Tempo di asciugatura 45 minuti.

Avvio caldo (dopo guasto alimentazione)

Dopo alcuni secondi dal ripristino dell'alimentazione, se al momento del guasto era in corso un ciclo, 'RESELECT CYCLE' lampeggia sul display. Ciò indica che è necessario premere il tasto per l'impostazione del tessuto per riavviare l'asciugatrice.

L'asciugatrice è preimpostata in fabbrica per il funzionamento gratuito in modo da poter essere usate senza dover pagare.

SICHERER BETRIEB DES WÄSCHETROCKNERS

Ihre Sicherheit und die Sicherheit anderer sind von größter Bedeutung.

Daher wurden diese Anleitung und das Gerät mit wichtigen Sicherheitshinweisen versehen. Bitte lesen und beachten Sie diese Sicherheitshinweise.



Dies ist das Warnzeichen.

Es weist Sie auf mögliche Gefahren hin, durch die Sie oder andere verletzt oder getötet werden könnten. Alle Sicherheitshinweise sind durch das Warnzeichen markiert und entweder mit dem Wort „GEFAHR“ oder „ACHTUNG“ gekennzeichnet.

Diese Begriffe bedeuten:

⚠ GEFAHR

Sie könnten getötet oder ernsthaft verletzt werden, wenn Sie diese Anweisungen nicht sofort befolgen.

⚠ ACHTUNG

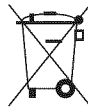
Sie könnten getötet oder ernsthaft verletzt werden, wenn Sie diese Anweisungen nicht befolgen.

Alle Sicherheitshinweise enthalten Informationen darüber, worin die Gefahr besteht, wie Sie die Verletzungsgefahr verringern können und was geschehen kann, wenn Sie den Anweisungen zuwiderhandeln.

ZU IHRER EIGENEN SICHERHEIT

1. Verwenden oder lagern Sie kein Benzin oder andere leicht entflammare Stoffe in diesem Gerät oder seiner Umgebung.
2. Verwenden Sie keine Aerosolsprays in der Nähe des Geräts, solange es in Betrieb ist.
3. Nehmen Sie keine Modifikationen an diesem Gerät vor.

ENTSORGUNG DES WÄSCHETROCKNERS



Dieses Gerät fällt unter die Bestimmungen der europäischen Richtlinie 2002/96/EG zu Elektro- und Elektronik-Altgeräten (WEEE).

Bitte entsorgen Sie dieses Gerät sachgemäß, um Schäden für die Umwelt und die menschliche Gesundheit zu vermeiden.

Das obenstehende Symbol auf der Verpackung oder in der Begleitdokumentation eines Geräts bedeutet, dass dieses Gerät nicht als Hausmüll entsorgt werden darf. Es sollte stattdessen auf einem Recyclinghof oder an einer Sammelstelle für elektrische und elektronische Altgeräte abgegeben werden.

Die Entsorgung muss gemäß den örtlichen Bestimmungen erfolgen.

Weitere Informationen zu Behandlung, Aufbereitung und Recycling dieses Geräts erhalten Sie von Ihrer Kommunalverwaltung, dem örtlichen Entsorgungsunternehmen oder dem Händler, von dem Sie das Gerät erworben haben.

INSTALLATIONSVORAUSSETZUNGEN

Werkzeug und Zubehör

Vergewissern Sie sich, dass Sie über das notwendige Werkzeug und die erforderlichen Zubehörteile verfügen, ehe Sie mit der Installation beginnen. Lesen und befolgen Sie auch die Gebrauchsanleitungen der hier aufgeführten Werkzeuge.

Benötigtes Werkzeug:

- 8- oder 10-Zoll-Rohrzange (200 bzw. 250 mm)
- verstellbarer Schraubenschlüssel in der Größe 8 oder 10 Zoll (200 bzw. 250 mm)
- Schlitzschraubendreher
- Kreuzschlitzschraubendreher
- bis 1 Zoll (25 mm) verstellbarer Schraubenschlüssel oder Sechskant-Steckschlüssel
- Wasserwaage
- 5/16 Zoll-Steckschlüssel (8 mm)
- Universalmesser
- Rohrschellen
- Dichtungspistole und Dichtmasse (für den Einbau des neuen Abluftrohrs)
- Zange
- Kittmesser mit stabiler Klinge

Mitgelieferte Zubehörteile:

Nehmen Sie die Teile aus der Trocknertrommel. Prüfen Sie, ob alle Teile vorhanden sind.

- Fußkappen (4 Stk.)
- Stellbeine (4 Stk.)

HINWEIS: Der Schaltplan für den Wäschetrockner ist Teil der technischen Dokumentation, die sich hinter der unteren Abdeckung an der Vorderseite des Geräts befindet.

Technische Daten:


220 – 240 V, 50 Hz ~

Aufnahmekapazität:

max. 9 kg

Standortvoraussetzungen

⚠ ACHTUNG



Explosionsgefahr

Halten Sie die Umgebung des Wäschetrockners frei von leicht entflammenden Gasen und Substanzen wie Benzin.

Installieren Sie den Trockner nicht in einer Garage.

Die Nichtbeachtung dieser Anweisung kann Brände, Explosionen und Todesfälle zur Folge haben.

WICHTIGER HINWEIS: Halten Sie alle relevanten Verordnungen und Vorschriften ein.

- Konsultieren Sie die örtlichen Bauvorschriften: in einigen Gegenden ist die Installation von Wäschetrocknern in Garagen, Schränken oder Schlafbereichen untersagt. Fragen Sie ggf. bei Ihrer Bauaufsichtsbehörde nach.
- Stellen Sie den Trockner nicht auf Teppich oder Teppichboden auf.

HINWEIS: Der Standort des Trockners muss so gewählt werden, dass er keinen Wittereinflüssen und keiner Feuchtigkeit ausgesetzt ist.

Installation in Wandnischen oder als Einbautrockner

Dieser Trockner ist zur Installation in Wandnischen oder als Einbautrockner in Schränken geeignet. Das Gerät darf nicht hinter einer verschließbaren Tür, einer Schiebetür oder einer Tür aufgestellt werden, deren Scharnier sich auf der entgegengesetzten Seite zum Scharnier der Trocknertür befindet.

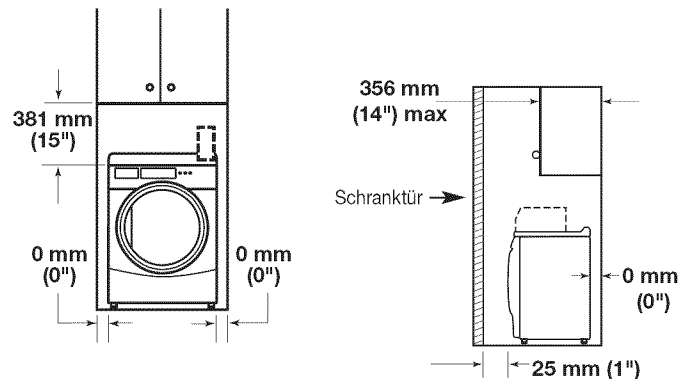
Die Mindestabstände sind in Millimetern angegeben und unbedingt einzuhalten. Sollten die örtlichen Bauvorschriften größere Abstände vorschreiben, gelten diese. Größere Abstände erleichtern zudem den Einbau und die Wartung des Geräts.

Falls der Trockner als Einbaugerät in einem Schrank mit Tür aufgestellt wird, sind die angegebenen Mindestöffnungen zu Belüftungszwecken unbedingt einzuhalten. Die Verwendung von Lamellentüren mit ausreichend großen Öffnungen ist ebenfalls zulässig.

Die Abluft des Trockners muss ins Freie geleitet werden.

Es dürfen keine brennstoffbetriebenen Geräte im selben Schrank wie der Trockner aufgestellt werden.

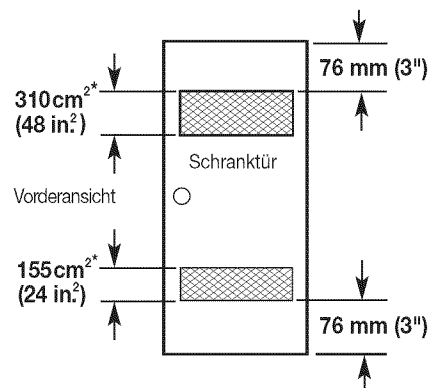
Mindesteinbauabstände



Vorderansicht Nischeneinbau

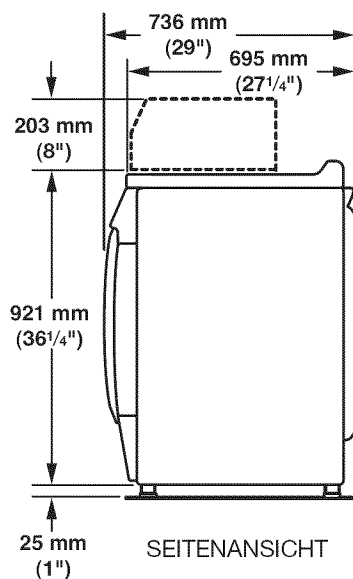
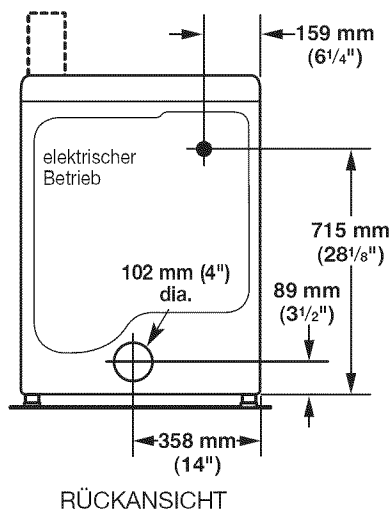
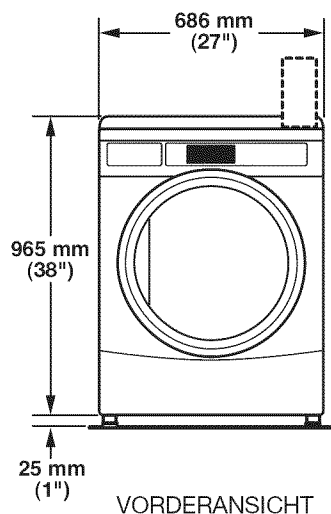
Seitenansicht Schrankeinbau

Bei Berechnung der Abstände sind Wandvorsprünge, Türen, Scheuerleisten usw. sowie ggf. die Verwendung eines externen Abluftkrümmers zu berücksichtigen.



*Mindestöffnung bei Verwendung einer Schrantür. Die Verwendung von Lamellentüren mit ausreichend großen Öffnungen ist ebenfalls zulässig.

Gerätemaße des 686 mm (27 Zoll) breiten Modells



Netzanschluss

Dieser Trockner wird ohne Netzkabel und Stecker ausgeliefert. Er muss von einem ausgebildeten Elektriker an einen einphasigen Netzanschluss mit der auf dem Geräteschild angegebenen Leistung angeschlossen werden. Dazu ist eine den örtlichen Vorschriften entsprechende Festverdrahtung zu nutzen.

- Es sollten ein Dreifachkabel mit einer Mindestleitergröße von 2,5 mm² im Querschnitt sowie eine 30-Ampere-Sicherung verwendet werden.
- Ein Schalter mit einem Mindestkontaktabstand von 3 mm in beiden Polen, der eine vollständige Trennung in Überspannungskategorie III gewährleistet, muss gemäß den örtlichen Vorschriften in die Festverdrahtung integriert werden. Der Trockner sollte so positioniert werden, dass der Trennschalter leicht zu erreichen ist.
- Benutzen Sie die am Trockner vorhandene Kabelklemme. Die Netzanschlussklemmen befinden sich hinter der kleinen Abdecktafel an der Rückseite des Geräts (Anschlussabdeckung). Nehmen Sie den Anschluss gemäß den Klemmenbezeichnungen vor. Vergessen Sie nicht, anschließend die Anschlussabdeckung wieder anzubringen.

HINWEIS: Gemäß der europäischen Richtlinie 89/336/EWG (EMV-Richtlinie) darf der Widerstand des Energieversorgungsnetzes, an das dieser Trockner angeschlossen wird, 0,29 Ohm + j0,18 Ohm nicht überschreiten.

⚠ ACHTUNG



Stromschlaggefahr!

Dieses Gerät verfügt über eine dreidrigige Leitung, die geerdet werden muss.

Die Erdung nicht an eine Gasleitung anschließen.

Die Nichtbeachtung dieser Anweisungen kann Brände, schwerwiegende Verletzungen und Todesfälle nach sich ziehen.

Falls die örtlichen Vorschriften die Verwendung eines zusätzlichen Erdungsdrahts zulassen und ein solcher verwendet wird, sollte ein ausgebildeter Elektriker überprüfen, ob die Erdung ausreichend ist.

Empfohlene Erdungsmethode

- Es liegt in Ihrer Verantwortung, einen ausgebildeten Elektriker mit der Installation zu betrauen und sicherzustellen, dass die Installation den entsprechenden Gesetzen und örtlichen Vorschriften entspricht.

⚠ ACHTUNG



Feuerefahr!

Verwenden Sie ein Abluftrohr aus Metall.

Abluftrohre aus Kunststoff sind ungeeignet.

Abluftschläuche aus Metallfolie sind ungeeignet.

Nichtbeachtung dieser Anweisungen kann Brände und Todesfälle verursachen.

ACHTUNG: Um die Brandgefahr zu reduzieren, MUSS DIE ABLUFT des Trockners INS FREIE GELEITET WERDEN.

- Achten Sie unbedingt auf ausreichende Belüftung, um bei Betrieb des Trockners einen Rückfluss von Gasen, die beim Verbrauch anderer Brennstoffe (einschließlich offenen Feuers) entstehen, in den Raum zu verhindern. (Die Luftzufuhr in den Raum sollte also dem Volumen der Abluft entsprechen.)
- Die Abluft des Trockners darf nicht in einen Zugkanal geleitet werden, der auch für mit Gas oder anderen Brennstoffen betriebene Geräte genutzt wird. Sie darf auch nicht in einen Gasabzug oder Schornstein bzw. eine Wand oder Decke oder einen Hohlraum innerhalb des Gebäudes gelangen.
- Verwenden Sie keine Ablufthaube mit Magnetverriegelung.
- Verwenden Sie in Wänden, Decken oder Fußböden keine Metallschläuche, sondern grundsätzlich Rohre.
- Verwenden Sie ein 4-Zoll-Abluftrohr (102 mm) aus Metall (nicht aus Metallfolie) und geeignete Rohrschellen.
- Sichern Sie alle Verbindungen mit Rohrschellen. Verwenden Sie zur Anbringung des Abluftrohrs keine Schrauben oder andere Haltevorrichtungen, die ins Innere des Rohrs hineinragen würden, da sich an derartigen Hindernissen Flusen festsetzen können. Klebeband ist zur sicheren Anbringung des Abluftrohrs nicht ausreichend.

WICHTIGER HINWEIS: Halten Sie alle relevanten Verordnungen und Vorschriften ein.

Verwenden Sie ein Abluftrohr aus Metall. Verwenden Sie keine Abluftrohre bzw. -schläuche aus Kunststoff oder Metallfolie.

Die Verwendung von festen Metallrohren wird empfohlen, da diese nicht eingedrückt oder geknickt werden können.

Soll dennoch ein Metallschlauch verwendet werden, muss dieser komplett ausgezogen sein und abgestützt werden, sobald sich der Trockner in der endgültigen Position befindet. Kürzen Sie überschüssige Längen, um ein Durchhängen oder Abknicken des Schlauchs – das den Luftfluss behindern und die Trocknerleistung beeinträchtigen würde – zu verhindern.

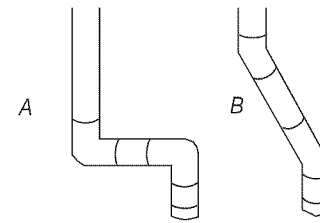
Die Abluftöffnung sollte mit einer geeigneten Ablufthaube versehen werden, damit keine Insekten oder Nagetiere ins Gebäude eindringen können.

Die Ablufthaube muss mindestens 305 mm (12 Zoll) über dem Erdboden oder jedweden Objekt, das sich im Abluftpfad befindet (Blumen, Steine, Büsche usw.) angebracht werden.

Wenn ein bereits bestehendes Abluftsystem verwendet wird, sollte es auf ganzer Länge von Flusen befreit werden, ehe der neue Trockner angeschlossen wird.

Gleiches gilt für die Ablufthaube. Ersetzen Sie Abluftrohre bzw. -schläuche aus Kunststoff oder Metallfolie durch Rohre oder Schläuche aus Metall.

Planen Sie den Rohrverlauf so, dass möglichst wenige Knie oder Biegungen notwendig sind.



Rohrverlauf

A. gut

B. besser

Legen Sie notwendige Knie oder Biegungen so weiträumig wie möglich an. Leiten Sie die Biegungen allmählich ein, um Knicke zu vermeiden.

Die Abluftöffnung befindet sich unten auf der Rückseite des Wäschetrockners.

Die Abluftleitung kann von dort aus nach oben, unten, links, rechts oder direkt nach hinten geführt werden.

Länge der Abluftleitung

Die maximal zulässige Länge der Abluftleitung hängt von der verwendeten Art der Ableitung, der Anzahl der Knie sowie der Art der Ablufthaube ab.

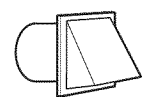
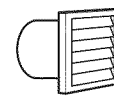
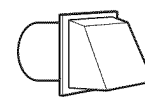
Maximale Länge

4-Zoll-Ablufthaube (102 mm)

Kasten

Lamellen

64 mm (2½ Zoll) angewinkelt



Abluftrohr aus Metall

Anzahl der 90°-Biegungen	Kastenhaube und Lamellenabdeckung	angewinkelte Ablufthaube
0	39,6 m (130')	39,3 m (129')
1	38,1 m (125')	36,3 m (119')
2	35,1 m (115')	33,2 m (109')
3	32,3 m (106')	30,5 m (100')
4	98 m (98')	28 m (92')

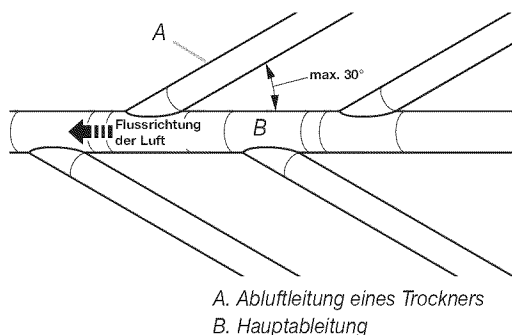
Falls der Trockner in einem Raum mit beschränktem Platz (Schlaf- oder Badezimmer, Schrank usw.) installiert wird, muss eine ausreichende Belüftung sichergestellt werden. (Beachten Sie geltende Bauvorschriften und Verordnungen.) Siehe auch „Installation in Wandnischen oder als Einbautrockner“ im Abschnitt „Standortvoraussetzungen“.

Ablufthauben mit einem Durchmesser von 102 mm (4 Zoll) sind optimal; es können jedoch auch Ablufthauben mit einem Durchmesser von 64 mm (2½ Zoll) genutzt werden. Diese führen jedoch zu einem größeren Gegendruck als Ablufthauben mit größerem Durchmesser. Bei permanenter Aufstellung des Trockners ist ein stationäres Abluftsystem erforderlich.

Ableitung bei Einsatz mehrerer Trockner

- Eine Hauptableitung kann für die Abluft einer Gruppe von Trocknern genutzt werden. Die Hauptableitung sollte dabei so dimensioniert sein, dass sie pro Trockner 5663 Liter (200 Kubikfuß) Abluft in der Minute transportieren kann. Die Verwendung von hochleistungsfähigen Flusensieben mit geeignetem Design in der Hauptableitung ist zulässig, sofern diese regelmäßig überprüft und gereinigt werden. Der Raum, in dem sich die Trockner befinden, sollte eine Luftzufuhr haben, die der kombinierten Abluftmenge aller Trockner entspricht oder sie übersteigt.
- Außerdem ist der Einbau von Rückschlagklappen erforderlich. Diese sind im Handel erhältlich und sollten in der Entlüftungsleitung jedes Trockners installiert werden um zu vermeiden, dass Abluft in den Trockner zurückfließt, und um ein Gleichgewicht zwischen den Abluftleitungen und der Hauptableitung zu gewährleisten. Es müssen Öffnungen für den unbehinderten Strom der Rückluft vorhanden sein.

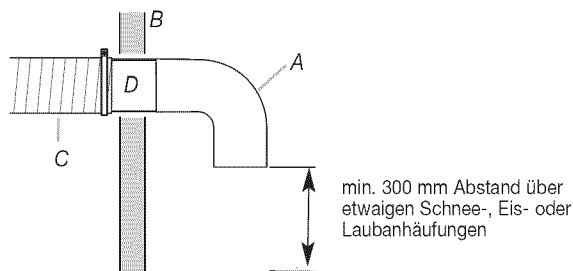
Die individuellen Abluftleitungen sollten in der Flussrichtung der Abluft und in einem Winkel von max. 30° auf die Hauptableitung stoßen. Abluftleitungen, die auf gegenüberliegenden Seiten auf die Hauptableitung stoßen, sollten versetzt mit der Hauptableitung verbunden werden. Andernfalls könnte die Abluft aus einer Leitung die Funktion der anderen Abluftleitung beeinträchtigen.



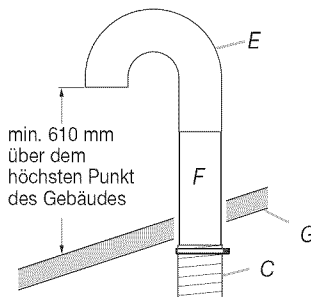
Achten Sie darauf, dass keine durch die in der chemischen Reinigung verwendeten Lösungsmittel entstehenden Dämpfe in die Luftöffnungen eintreten können. Derartige Dämpfe führen zur Bildung von Säuren, die in Verbindung mit der im Gerät entstehenden Wärme sowohl den Trockner selbst als auch die darin behandelten Kleidungsstücke beschädigen können.

Die Hauptableitung sollte über eine Reinigungsklappe verfügen, um die regelmäßige Reinigung des Abluftsystems zu ermöglichen.

Falls keine Ablufthaube verwendet werden kann:



- A. Ablufthaube oder Knie
- B. Wand
- C. Hauptableitung
- D. horizontale Abluftleitung
- E. 180°-Rohrbogen
- F. vertikale Abluftleitung
- G. Dach



Das äußere Ende der Hauptableitung sollte über einen Rohrbogen verfügen, der direkt nach unten zeigt. Falls die Hauptableitung nicht durch eine Außenwand, sondern vertikal durch das Dach austritt, muss sie in einem 180°-Rohrbogen enden, der den höchsten Punkt des Gebäudes um mindestens 610 mm überragt. Die Öffnung in der Außenwand bzw. im Dach muss einen um 13 Millimeter (1/2 Zoll) größeren Durchmesser haben als die Ableitung. Die Ableitung sollte sich in der Mitte der Öffnung befinden.

Decken Sie die Auslassöffnung nicht mit einem Filter oder einer Kappe ab.

INSTALLATIONSANLEITUNG FÜR ELEKTRISCHE WÄSCHETROCKNER

Einsetzen der Stellbeine

⚠ ACHTUNG

Schweres Gerät

Der Trockner darf aufgrund seines hohen Gewichts nur von mindestens zwei Personen bewegt und installiert werden.

Nichtbeachtung kann Rücken- und andere Verletzungen nach sich ziehen.

HINWEIS: Stellen Sie den Trockner auf eine Pappe oder eine Holzfaserverplatte, um beim Schieben des Geräts den Fußboden nicht zu beschädigen.

1. Bewegen Sie das Gerät nur, wenn Sie mindestens zu zweit sind. Stellen Sie es an den gewünschten Standort.

2. Entfernen Sie das Klebeband von den vorderen Kanten des Trockners. Öffnen Sie den Wäschetrockner und entnehmen Sie die Gerätedokumentation und die Zubehörteile. Wischen Sie die Trommel mit einem feuchten Lappen gründlich aus.
3. Nehmen Sie zwei Pappecken vom Trocknerkarton und legen Sie sie hinter dem Trockner auf den Boden. Ergreifen Sie nun zu zweit den Trockner und legen Sie ihn vorsichtig mit der Rückseite auf die Pappecken.
4. Nehmen Sie eines der Stellbeine zur Hand und verorten Sie die karoförmige Markierung auf der Kante. Diese gibt an, wie weit das Bein in die Öffnung geschraubt werden sollte.
5. Schrauben Sie nun die Stellbeine von Hand ein. (Benetzen Sie die Gewinde mit etwas Flüssigwaschmittel, damit sich die Beine leichter einschrauben lassen.) Benutzen Sie ggf. einen 1-Zoll-Schrauben- oder Steckschlüssel (25 mm), um die Beine bis zur Karomarkierung einzuschrauben. Schieben Sie dann auf jedes Bein eine Fußkappe.
Nun können Sie den Trockner aufrichten.
6. Entfernen Sie die Pappe bzw. die Holzfaserverplatte. Prüfen Sie, ob der Trockner gerade steht und nehmen Sie ggf. mit Hilfe der Stellbeine die nötigen Anpassungen vor.

Netzanschluss

⚠ ACHTUNG



Stromschlaggefahr!

Dieses Gerät verfügt über eine dreiadrige Leitung, die geerdet werden muss.

Achten Sie auf sicheren Sitz aller elektrischen Anschlüsse.

Ein Unterlassen kann Stromschläge, Brände und Todesfälle nach sich ziehen.

Dieser Trockner wird ohne Netzkabel und Stecker ausgeliefert; er darf nur durch einen ausgebildeten Elektriker angeschlossen werden. Siehe Abschnitt „Netzanschluss“.

Anschluss der Abluftleitung

1. Schließen Sie die Abluftleitung mittels einer 4-Zoll-Rohrschelle (102 mm) an die Abluftöffnung des Trockners an. Falls Sie eine bereits vorhandene Abluftleitung verwenden, achten Sie darauf, dass sie sauber ist. Die Abluftleitung muss einerseits über die Abluftöffnung im Trockner und andererseits in die Ablufthaube passen. Sichern Sie die Abluftleitung mittels einer 4-Zoll-Rohrschelle (102 mm) an der Ablufthaube.
2. Platzieren Sie den Trockner an seinem endgültigen Standort. Achten Sie darauf, die Abluftleitung nicht zu knicken oder zusammenzudrücken. Stellen Sie sicher, dass der Trockner gerade steht.

Abschluss der Installation

1. Wenn der Trockner an seinem endgültigen Standort steht, legen Sie eine Wasserwaage auf das Gerät – erst seitlich, dann von vorn nach hinten. Falls der Trockner nicht gerade steht, nehmen Sie mit Hilfe der Stellbeine die nötigen Anpassungen vor.
2. Schalten Sie die Stromversorgung an.
3. Überprüfen Sie die Betriebsbereitschaft des Geräts:
Drücken Sie die Programmwahltaste für einen vollen Trocknerzyklus und stellen Sie das Gerät auf mindestens fünf Minuten Trockenzeit ein. Nach Ablauf der ausgewählten Zeit schaltet sich der Trockner ab.
HINWEIS: Der Trockner läuft nur bei geschlossener Trocknertür. Wird die Tür geöffnet, hält der Trockner an, die Zeituhr läuft jedoch weiter. Um den Trockner wieder zu starten, schließen Sie die Tür und drücken Sie erneut eine Programmwahltaste.
4. Starten Sie den Trockner und lassen Sie ihn einen vollen Zyklus durchlaufen um sicherzustellen, dass er ordnungsgemäß funktioniert.

WARTUNGSANLEITUNG

Wartungsanleitung:

- Reinigen Sie das Flusensieb nach jedem Trockengang.
- Entfernung von Flusen:
 - aus dem Trocknerinneren:
Im Trocknerinneren sammeln sich Flusen an, die mindestens alle zwei Jahre – bei häufigem Gebrauch des Trockners öfter – entfernt werden müssen. Diese Reinigung sollte von einer Fachkraft durchgeführt werden.
 - aus dem Luftabzug:
Im Luftabzug sammeln sich Flusen an, die mindestens alle zwei Jahre – bei häufigem Gebrauch des Trockners öfter – entfernt werden müssen.

Falls der Wäschetrockner nicht funktioniert, überprüfen Sie:

- ob die Netzversorgung angeschlossen ist.
- ob Sicherungen durchgebrannt sind bzw. ein Leitungsschutzschalter ausgelöst wurde.
- ob die Trocknertür richtig geschlossen ist (Beim Schließen der Tür sollte das Einrasten des oder der Türkontaktschalter zu hören sein.)
- ob die Programmwahltaste richtig betätigt wurde und die Programmdauer angezeigt wird.

REPARATUR- UND KUNDENDIENST

Weitere Informationen

Falls Sie weitere Informationen benötigen bzw. Fragen oder Anmerkungen haben, können Sie sich jederzeit schriftlich oder telefonisch an uns wenden. Sie erreichen uns unter:

Whirlpool UK Ltd.
209 Purley Way
Croydon
CR9 4RY
U.K.
Telefon: 0208 649 5000

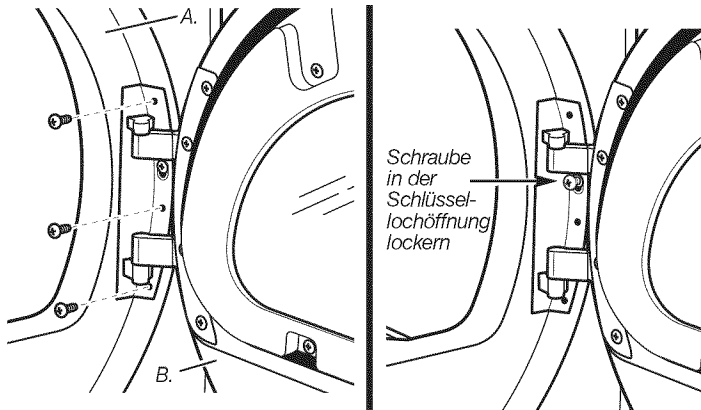
ÄNDERUNG DER TÜRÖFFNUNGSRICHTUNG

Bei Bedarf kann der Türaufschlag geändert werden, damit sich die Tür statt nach rechts nach links öffnet.

Legen Sie ein Handtuch oder ein weiches Tuch auf die Oberseite des Trockners bzw. die Arbeitsfläche, um die Oberfläche vor Kratzern zu schützen.

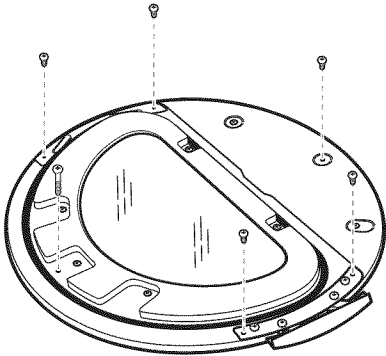
Demontage der Tür

1. Entfernen Sie 3 der 4 Schrauben, mit denen das Türscharnier an der Vorderseite des Trockners befestigt ist. Lockern Sie dann als letztes die Schraube in der Schlüssellochöffnung, sodass Sie die Tür abheben können.

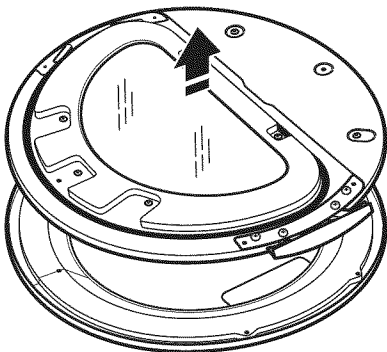


A. Gerätevorderseite
B. Tür

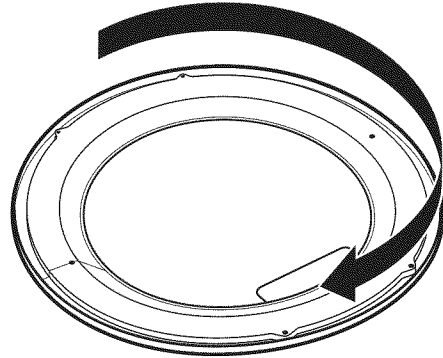
2. Legen Sie die Tür auf einer flachen, geschützten Oberfläche mit der Innenseite (der inneren Türkomponente) nach oben zeigend ab.
3. Entfernen Sie mit Hilfe eines Kreuzschlitzschraubendrehers die in der Abbildung gezeigten 6 Schrauben, die die innere mit der äußeren Türkomponente verbinden. Bitte achten Sie unbedingt darauf, nur die in der Abbildung angezeigten 6 Schrauben zu entfernen.



4. Heben Sie die innere Türkomponente aus der äußeren heraus.

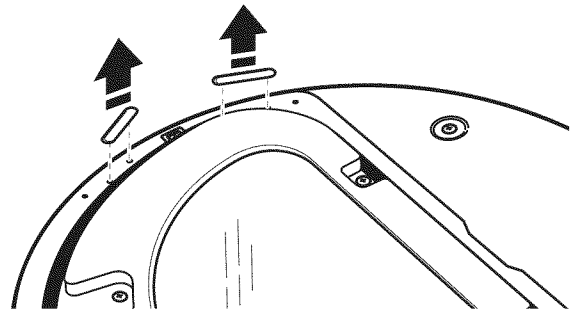


5. Drehen Sie die äußere Türkomponente um 180°.

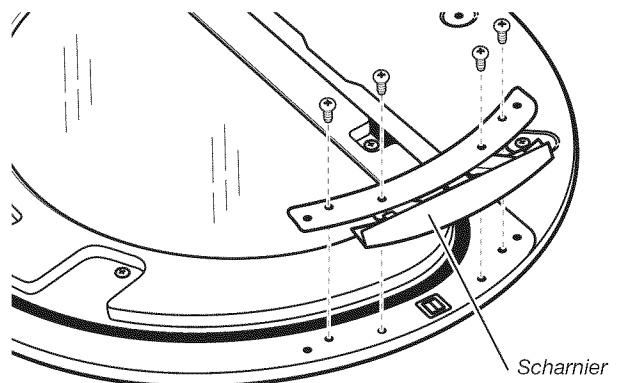


Umsetzen des Scharniers

1. Entfernen Sie mit Hilfe eines kleinen Schraubendrehers die beiden Steckerleisten aus der Tür. Schieben Sie dazu den Kopf des Schraubendrehers vorsichtig unter die Leiste. Achten Sie darauf, dabei keine Kratzer zu verursachen. Drücken Sie die Leiste hoch.

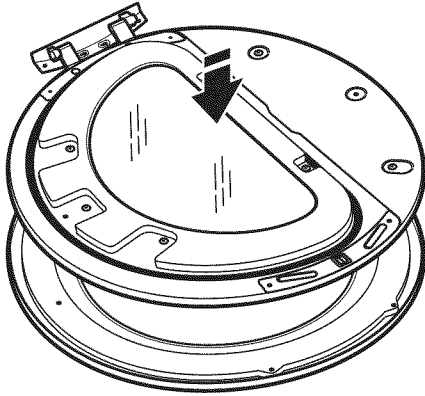


2. Entfernen Sie die 4 Schrauben, mit denen das Scharnier an der Türinnenseite befestigt ist, und platzieren Sie das Scharnier an der gegenüberliegenden Seite. Befestigen Sie das Scharnier mit den 4 Schrauben.

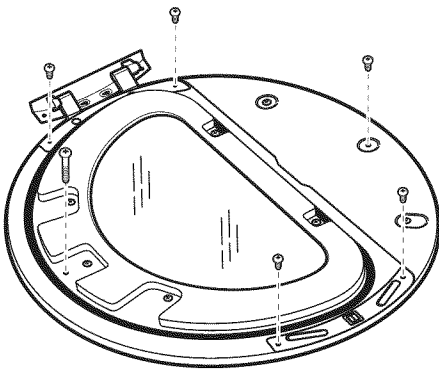


3. Setzen Sie die Steckleisten auf der Türseite ein, auf der sich das Scharnier nun befindet.
4. Prüfen Sie, ob Sie Fingerabdrücke auf dem Glas hinterlassen haben, und wischen Sie sie ggf. ab.

- Fügen Sie die innere Türkomponente wieder in die äußere ein. Die Kante der inneren Türkomponente muss komplett in die Kante der äußeren Türkomponente eingeführt werden, damit alles richtig passt.

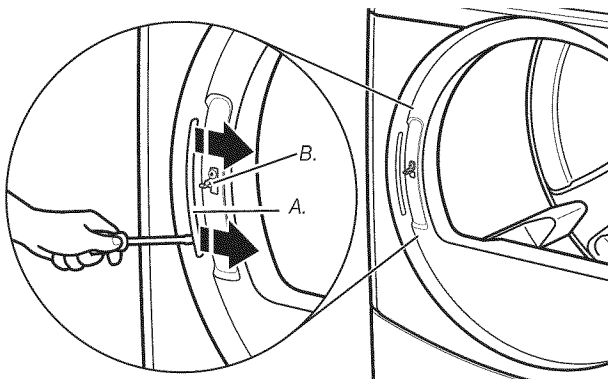


- Befestigen Sie die innere und die äußere Türkomponente mit Hilfe der 6 Schrauben wieder aneinander.



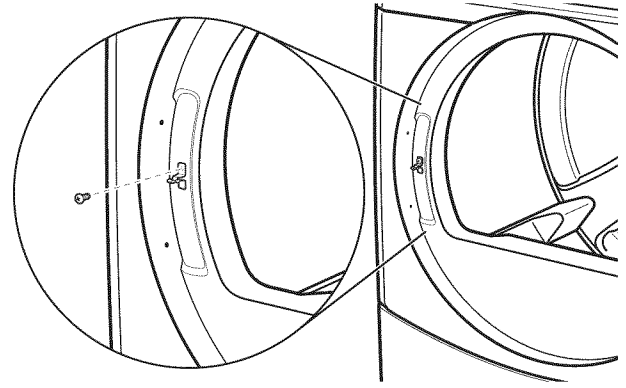
Umsetzen des Türbeschlags

- Entfernen Sie mit Hilfe des kleinen Schraubenziehers die Steckerleiste aus der Türöffnung. Schieben Sie dazu den Kopf des Schraubendrehers vorsichtig unter die Leiste. Achten Sie darauf, dabei keine Kratzer zu verursachen. Drücken Sie die Kunststoffleiste behutsam hoch, damit sie sich nicht verbiegt.



A. Steckerleiste
B. Türbeschlag

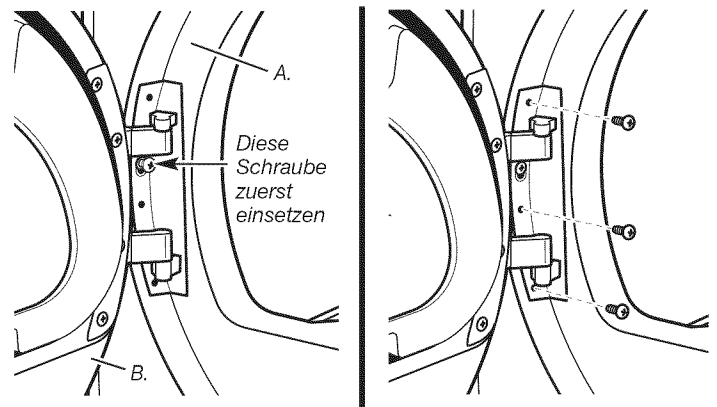
- Entfernen Sie den Beschlag mittels eines Kreuzschlitzschraubendrehers.



- Setzen Sie den Beschlag auf der gegenüberliegenden Seite der Türöffnung ein.

Wiedereinbau der Tür

- Befestigen Sie die Tür mittels der 4 Schrauben an der Gerätevorderseite. Setzen Sie dazu zuerst die Schraube in der Schlüsselöffnung ein und schrauben Sie sie nur zum Teil fest. Hängen Sie dann das Scharnier mit der Schlüsselöffnung über die Schraube ein. Setzen Sie nun die restlichen 3 Schrauben ein und ziehen Sie alle 4 Schrauben an.



A. Gerätevorderseite
B. Tür

- Prüfen Sie, ob Sie Fingerabdrücke auf dem Glas hinterlassen haben, und wischen Sie sie ggf. ab.
- Schließen Sie Trocknertür und prüfen Sie, ob sie richtig schließt.

ELEKTRONISCHE REGELANLAGE

ACHTUNG



Stromschlaggefahr

Vor Wartungsarbeiten die Stromzufuhr unterbrechen!

Vor der Wiederinbetriebnahme alle Teile und Abdeckplatten wieder einsetzen.

Bei Unterlassen Stromschlag- und Todesgefahr!

WICHTIGER HINWEIS

Auf elektrostatische Entladung empfindlich reagierende elektronische Komponenten

Wir sind von statischer Elektrizität umgeben. Diese kann elektronische Steuerungen beeinträchtigen oder schädigen. Es kann daher sein, dass die elektronische Regelanlage nach einer Reparatur gut zu funktionieren scheint, aber aufgrund der statischen Elektrizität, der sie ausgesetzt war, zu einem späteren Zeitpunkt versagt.

- Tragen Sie daher ein Handgelenk-Erdungsband, wenn Sie Arbeiten an dem Gerät ausführen. Verbinden Sie das Erdungsband mit dem grünen Erdungspunkt oder mit einem unlackierten Metallteil im Trockner.

-ODER-

Berühren Sie mit dem Finger wiederholt einen grünen Erdungspunkt oder ein unlackiertes Metallteil im Trockner.

- Bevor Sie das Teil aus der Packung entnehmen, berühren Sie mit dem Antistatik-Beutel einen grünen Erdungspunkt oder ein unlackiertes Metallteil im Trockner.
- Vermeiden Sie es, elektronische Bauteile oder Anschlusskontakte zu berühren. Fassen Sie die elektronische Regelanlage nur an den Kanten an.
- Beachten Sie diese Anweisungen auch, wenn Sie eine defekte Regelanlage zwecks Einsendung zur Reparatur in den Antistatik-Beutel packen.

ALLGEMEINE BENUTZUNGSHINWEISE

Anzeige „out of order“ („außer Funktion“)

Diese Anzeige bedeutet, dass der Trockner nicht funktioniert. Bitte achten Sie auf den anschließend angezeigten Diagnose- oder Fehlercode.

Anzeige „0 Minuten“

Der Trockner muss durch Öffnen und Schließen der Tür auf Normalbetrieb zurückgesetzt werden, ehe er in Betrieb genommen werden kann. Falls ein Türkontaktschalter defekt ist, muss er ersetzt werden, ehe der Trockner wieder benutzt werden kann.

Kaltstart (bei Erstbenutzung)

Ab Werk ist der Trockner wie folgt eingestellt:

- Trockenzeit 45 Minuten

Warmstart (nach Stromausfall)

Falls das Gerät während eines Stromausfalls in Betrieb war, blinken einige Sekunden nach seiner Behebung die Worte „RESELECT CYCLE“ (PROGRAMM NEU WÄHLEN) im Display. Das bedeutet, dass die Programmwahltaste erneut betätigt werden muss, um den Trockner wieder zu starten.

Der Trockner ist vom Werk aus so eingestellt, dass er ohne Zahlung läuft.

DISPLAY

Nach Installation und Netzanschluss des Trockners erscheint die Anzeige „0 Minuten“ im Display.

Nach anschließendem Öffnen und Schließen der Trocknertür blinkt die Anzeige „SELECT CYCLE“ (PROGRAMM AUSWÄHLEN).

