

Operator's Manual

CRAFTSMAN[®]

12½"

THICKNESS PLANER

Model No.

351.217581



CAUTION: Read and follow all Safety Rules and Operating Instructions before First Use of this Product. Keep this manual with tool.

Sears Brands Management Corporation, Hoffman Estates, IL 60179 U.S.A.

www.sears.com/craftsman

30674.01 Draft (11/04/09)

SAFETY

ASSEMBLY

OPERATION

MAINTENANCE

PARTS LIST

ESPAÑOL

TABLE OF CONTENTS

Warranty	2
Safety Rules	2-3
Unpacking	3
Assembly	3-4
Installation	4-5
Operation	5-8
Maintenance	8-9
Troubleshooting	10
Parts Illustration and List	12-15
Español	16-31

WARRANTY

ONE-YEAR FULL WARRANTY ON CRAFTSMAN TOOL

If this Craftsman tool fails due to a defect in material or workmanship within one year from the date of purchase, call 1-800-4-MY-HOME® TO ARRANGE FOR FREE REPAIR (or replacement if repair proves impossible). This warranty does not include expendable parts, such as lamps, batteries, bits or blades.

If this tool is ever used for commercial or rental purposes, this warranty will apply for only 90 days from the date of purchase.

This warranty gives you specific legal rights and you may also have other rights which vary from state to state.

Sears, Roebuck and Co., 817WA, Hoffman Estates, IL 60179

SAFETY RULES

WARNING: For your own safety, read all of the rules and precautions before operating tool.

PROPOSITION 65 WARNING: Some dust created by using power tools contain chemicals known to the state of California to cause cancer, birth defects or other reproductive harm.

Some examples of these chemicals are:

- Lead from lead-based paints.
- Crystalline silica from bricks and cement and other masonry products.
- Arsenic and chromium from chemically-treated lumber.

Your risk from these exposures vary, depending on how often you do this type of work. To reduce your exposure to these chemicals: work in a well ventilated area and work with approved safety equipment. Always wear **OSHA/NIOSH** approved, properly fitting face mask or respirator when using such tools.

CAUTION: Always follow proper operating procedures as defined in this manual even if you are familiar with use of this or similar tools. Remember that being careless for even a fraction of a second can result in severe personal injury.

BE PREPARED FOR JOB

- Wear proper apparel. Do not wear loose clothing, gloves, neckties, rings, bracelets or other jewelry which may get caught in moving parts of machine.
- Wear protective hair covering to contain long hair.
- Wear safety shoes with non-slip soles.
- Wear safety glasses complying with United States ANSI Z87.1. Everyday glasses have only impact resistant lenses. They are **NOT** safety glasses.
- Wear face mask or dust mask if operation is dusty.
- Be alert and think clearly. Never operate power tools when tired, intoxicated or when taking medications that cause drowsiness.

PREPARE WORK AREA FOR JOB

- Keep work area clean. Cluttered work areas invite accidents.
- Do not use power tools in dangerous environments.
- Do not use power tools in damp or wet locations. Do not expose power tools to rain.
- Work area should be properly lighted.
- Proper electrical receptacle should be available for tool. Three prong plug should be plugged directly into properly grounded, three-prong receptacle.
- Extension cords should have a grounding prong and the three wires of the extension cord should be of the correct gauge.
- Keep visitors at a safe distance from work area.
- Keep children out of workplace. Make workshop child-proof. Use padlocks, master switches or remove switch keys to prevent any unintentional use of power tools.

TOOL SHOULD BE MAINTAINED

- Always unplug tool prior to inspection.
- Consult manual for specific maintaining and adjusting procedures.
- Keep tool lubricated and clean for safest operation.
- Remove adjusting tools. Form habit of checking to see that adjusting tools are removed before switching machine on.
- Keep all parts in working order. Check to determine that the guard or other parts will operate properly and perform their intended function.
- Check for damaged parts. Check for alignment of moving parts, binding, breakage, mounting and any other condition that may affect a tool's operation.
- A guard or other part that is damaged should be properly repaired or replaced. Do not perform makeshift repairs. (Use parts list provided to order replacement parts.)

KNOW HOW TO USE TOOL

- Use right tool for job. Do not force tool or attachment to do a job for which it was not designed.
- Disconnect tool when changing blades.

- Avoid accidental start-up. Make sure that the switch is in the OFF position before plugging in.
- Do not force tool. It will work most efficiently at the rate for which it was designed.
- Keep hands away from moving parts and cutting surfaces.
- Never leave tool running unattended. Turn the power off and do not leave tool until it comes to a complete stop.
- Do not overreach. Keep proper footing and balance.
- Never stand on tool. Serious injury could occur if tool is tipped or if blade is unintentionally contacted.
- Know your tool. Learn the tool's operation, application and specific limitations.
- Use recommended accessories (refer to page 13). Use of improper accessories may cause risk of injury to persons.
- Handle workpiece correctly. Protect hands from possible injury.
- Turn machine off if it jams. Blade jams when it digs too deeply into workpiece. (Motor force keeps it stuck in the work.)
- Always keep drive, cutterhead and blade guards in place and in proper operating condition.
- Feed work into blade or cutter against direction of rotation.

CAUTION: Think safety! Safety is a combination of operator common sense and alertness at all times when tool is being used.

WARNING: Do not attempt to operate tool until it is completely assembled according to the instructions.

UNPACKING

Refer to Figure 1 below.

Check for shipping damage. If damage has occurred, a claim must be filed with carrier. Check for completeness. Immediately report missing parts to dealer.

IMPORTANT: Remove protective paper from the table before operating unit.

The planer comes assembled as one unit. Additional parts which need to be fastened to planer should be located and accounted for before assembling.

- A Dust Chute
- B Thumb Screw (2)
- C T-handle Hex Wrench (on planer)
- D Plug
- E Magnet (2, on planer)
- F Handle with Knob
- G 5-0.8 x 25mm Socket Head Bolt with Lock Washer

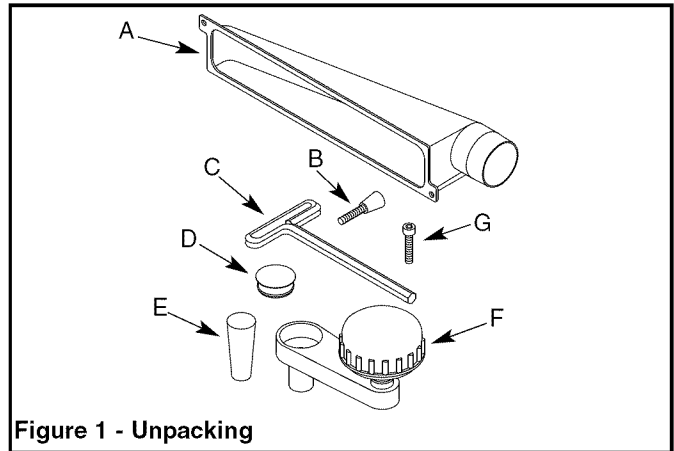


Figure 1 - Unpacking

ASSEMBLY

WARNING: Do not attempt assembly if parts are missing. Use this manual to order replacement parts.

INSTALL HANDLE

Refer to Figures 2 and 3.

- Handle with knob should be installed to top-right of the planer.
- Insert handle with knob onto elevation screw top.

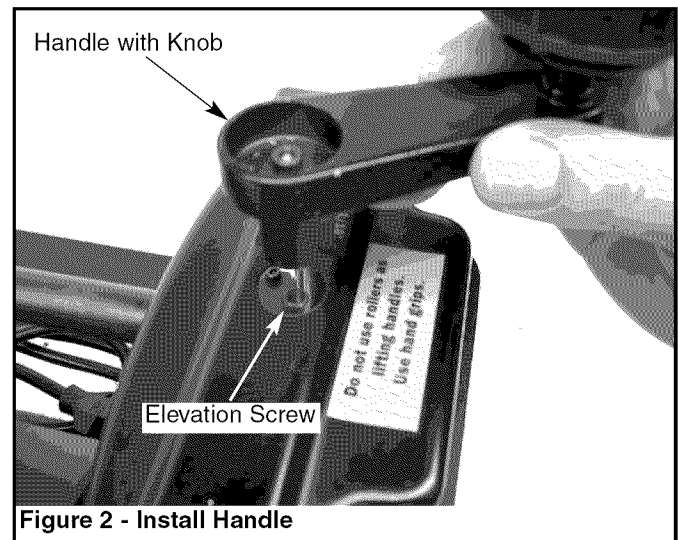


Figure 2 - Install Handle

- Secure handle with bolt using T-handle wrench provided.
- Insert plug into handle to cover bolt.

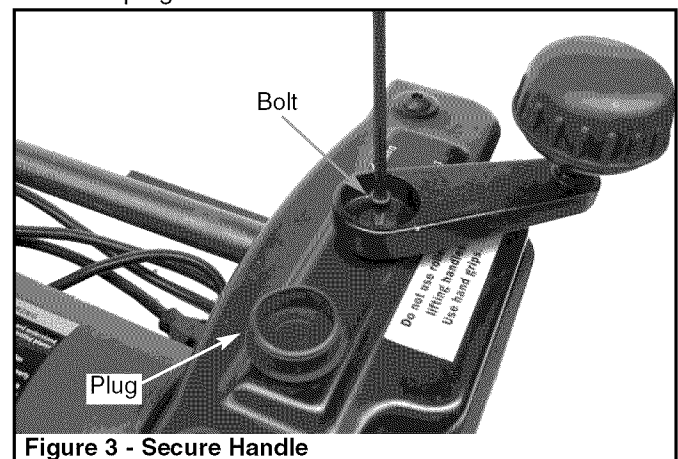


Figure 3 - Secure Handle

ATTACH DUST CHUTE

Refer to Figure 15, page 14.

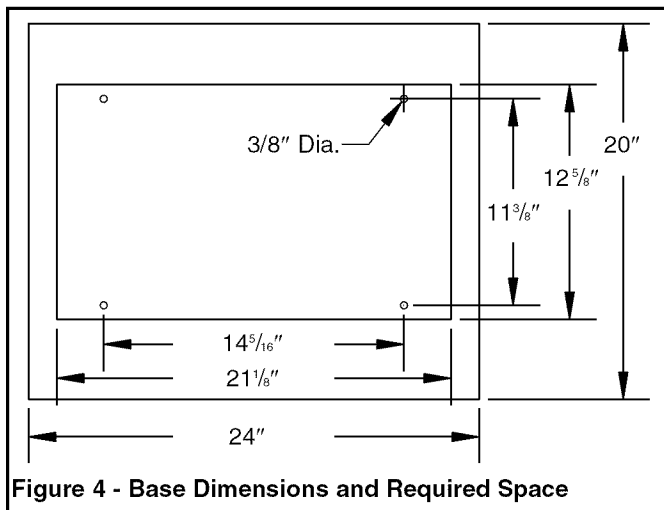
Planer is best used along with a dust collector. Dust chute is included. The dust chute (Key No. 1) is mounted to the roller case (Key No. 26) using two thumb screws (Key No. 2). The dust chute can be mounted to direct chips to either side of planer.

- After mounting, connect wet/dry vacuum hose to dust chute. Be sure to turn the vacuum on before operating the planer.

MOUNT PLANER TO WORK SURFACE

Refer to Figure 4.

- Planer is designed to be portable so it can be moved to job site, but should be mounted to a stable, level bench or table in a place with ample lighting and correct power supply.
- Make sure there is plenty of room for moving the workpiece through the entire cut. There must be enough room that neither the operators or the bystanders will have to stand in line with the wood while using the tool.
- Base of planer has four mounting holes. Mount planer to workbench or tool stand using bolts, flat washers and hex nuts (not supplied).
- Figure 4 shows the base dimensions, mounting holes and required space to allow for table assembly in horizontal position.



- Securely mount planer to work table by bolting it through the holes. Make sure the planer does not rock and the work table is level.

INSTALLATION

POWER SOURCE

WARNING: Do not connect planer to the power source until all assembly steps have been completed. The motor is designed for operation on the voltage and frequency specified. Normal loads will be handled safely on voltages not more than 10% above or below specified voltage. Running the unit on voltages which are not

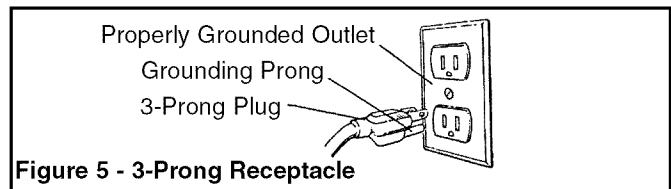
within range may cause overheating and motor burn-out. Heavy loads require that voltage at motor terminals be no less than the voltage specified.

- Power supply to the motor is controlled by a switch with key. Removing the key from switch will lock the unit and prevent unauthorized use.

GROUNDING INSTRUCTIONS

WARNING: Improper connection of equipment grounding conductor can result in the risk of electrical shock. Equipment should be grounded while in use to protect operator from electrical shock.

- Check with a qualified electrician if you do not understand grounding instructions or if you are in doubt as to whether the tool is properly grounded.
- This tool is equipped with an approved cord and a 3-prong grounding type plug (see Figure 5) for your protection against shock hazards.
- Grounding plug should be plugged directly into a properly installed and grounded 3-prong grounding-type receptacle, as shown (see Figure 5).



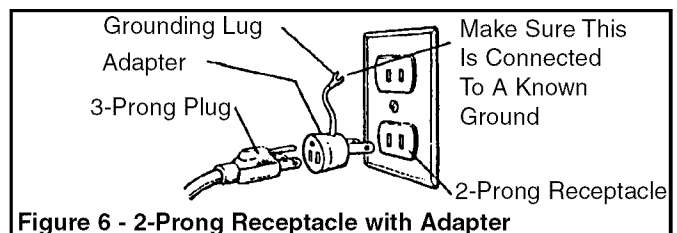
- Do not remove or alter grounding prong in any manner. In the event of a malfunction or breakdown, grounding provides a path of least resistance for electrical shock.

WARNING: Do not permit fingers to touch the terminals of plug when installing or removing from outlet.

- Plug must be plugged into matching outlet that is properly installed and grounded in accordance with all local codes and ordinances. Do not modify plug provided. If it will not fit in outlet, have proper outlet installed by a qualified electrician.
- Inspect tool cords periodically, and if damaged, have repaired by an authorized service facility.
- Green (or green and yellow) conductor in cord is the grounding wire. If repair or replacement of the electric cord or plug is necessary, do not connect the green (or green and yellow) wire to a live terminal.
- A 2-prong wall receptacle must be replaced with a properly grounded 3-prong receptacle installed in accordance with National Electric Code and local codes and ordinances.

WARNING: Any receptacle replacement should be performed by a qualified electrician.

A temporary 3-prong to 2-prong grounding adapter (see Figure 6) is available for connecting plugs to a two pole outlet if it is properly grounded.



- Do not use a 3-prong to 2-prong grounding adapter unless permitted by local and national codes and ordinances. (A 3-prong to 2-prong grounding adapter is not permitted in Canada.)

Where a 3-prong to 2-prong grounding adapter is permitted, the rigid green tab or terminal on the side of the adapter must be securely connected to a permanent electrical ground such as a properly grounded water pipe, a properly grounded outlet box or a properly grounded wire system.

- Many cover plate screws, water pipes and outlet boxes are not properly grounded. To ensure proper ground, grounding means must be tested by a qualified electrician.

EXTENSION CORDS

- The use of any extension cord will cause some drop in voltage and loss of power.
- Wires of the extension cord must be of sufficient size to carry the current and maintain adequate voltage.
- Use the table to determine the minimum wire size (A.W.G.) extension cord.
- Use only 3-wire extension cords having 3-prong grounding type plugs and 3-pole receptacles which accept the tool plug.
- If the extension cord is worn, cut or damaged in any way, replace it immediately.

Extension Cord Length

Wire Size	A.W.G.
Up to 25 ft.	14
25 to 50 ft.	12

NOTE: Using extension cords over 50 ft. long is not recommended.

MOTOR

The 120 Volt AC universal motor has the following specifications:

Voltage	120
Amperes	12
Hertz	60
Phase	Single
Cutterhead RPM	9400

ELECTRICAL CONNECTIONS

WARNING: Make sure unit is turned off and disconnected from power source before inspecting any wiring.

The motor is assembled with an approved three conductor cord to be used on 120 volts as indicated. The power supply to the motor is controlled by a double pole locking switch.

The power lines are connected directly to the switch. The green ground line must remain securely fastened to the frame to properly protect against electrical shock. A manual reset overload protector is installed in line with the power supply to the motor. If the planer is overloaded, the protector will break the circuit.

OPERATION

DESCRIPTION

Craftsman 12 $\frac{1}{2}$ " planer finishes rough-cut lumber to size and planes soft and hardwoods up to 6" thick and 12 $\frac{1}{2}$ " wide. Wood feeds into two-blade cutterhead by rubber infeed/outfeed rollers. Sturdy base construction, granite table and four-post design permits smooth feeding and virtually snipeless planing. Planer comes with enclosed, universal ball bearing, 12 Amp motor with overload protection. Motor has ON/OFF switch with removable key to prevent accidental start-up. Unit features easy hands-free replacement of blades for safety and minimized downtime, top mounted roller for workpiece return and built-in carrying handles for portability. Planer takes cuts up to $\frac{3}{32}$ " per pass at 26 feet per minute. Inch height scale has graduations in $\frac{1}{16}$ " increments, and metric height scale has graduations in 1mm increments.

SPECIFICATIONS

Table Size	12 $\frac{1}{2}$ " x 9 $\frac{3}{8}$ "
Extension Table Size	12 $\frac{1}{2}$ " x 6 $\frac{3}{4}$ "
Base Size	21 x 12 $\frac{1}{2}$ "
Workpiece Width (max.)	12 $\frac{1}{2}$ "
Workpiece Thickness (max.)	6"
Maximum Depth of Cut	$\frac{3}{32}$ "
Cuts Per Minute	18,800
Feed Rate	26 FPM
Overall Dimensions	23 $\frac{1}{2}$ " W x 23 $\frac{1}{2}$ " D x 19" H
Weight	67 lbs
Shipping Weight	72 lbs

OPERATION SAFETY RULES

WARNING: For your own safety, read all of the instructions and precautions before operating tool.

WARNING: Operation of any power tool can result in foreign objects being thrown into eyes which can result in severe eye damage. Always wear safety goggles complying with United States ANSI Z87.1 (shown on package) before commencing power tool operation.

CAUTION: Always observe the following safety precautions:

- Know general power tool safety. Make sure all precautions are understood (see pages 2, 3, 5 and 6).
- Whenever adjusting or replacing any parts on planer, turn switch OFF and remove plug from power source.
- Make sure all guards are properly attached and securely fastened.
- Make sure all moving parts are free from interference.
- Always wear eye protection or face shield.
- Make sure blades are aligned and properly attached to cutterhead.
- Do not plug in planer unless switch is in off position. After turning switch on, allow planer to come to full speed before operating.

- Keep hands clear of all moving parts.
- Do not force cut. Slowing or stalling will overheat motor. Allow automatic feed to function properly.
- Use quality lumber. Blades last longer and cuts are smoother with good quality wood.
- Do not plane material shorter than 15", narrower than 3/4", wider than 12 1/2" or thinner than 1/2".
- Never make planing cut deeper than 3/32".
- For workpieces longer than 24", use material support stands. See Recommended Accessories, page 13.
- Do not back the work toward the infeed side.
- Take precautions against kickback. Do not permit anyone to stand or cross in line of cutterhead's rotation. Kickback or thrown debris will travel in this direction.
- Turn switch off and disconnect power whenever planer is not in use.
- Replace knives as they become damaged or dull.
- Keep planer maintained. Follow maintenance instructions (see pages 8 -9).

OPERATING CONTROLS

ON/OFF SWITCH

Refer to Figure 7.

The ON/OFF switch is located on the front of the planer motor. To turn the planer ON, move the switch to the up position. To turn the planer OFF, move the switch to the down position.

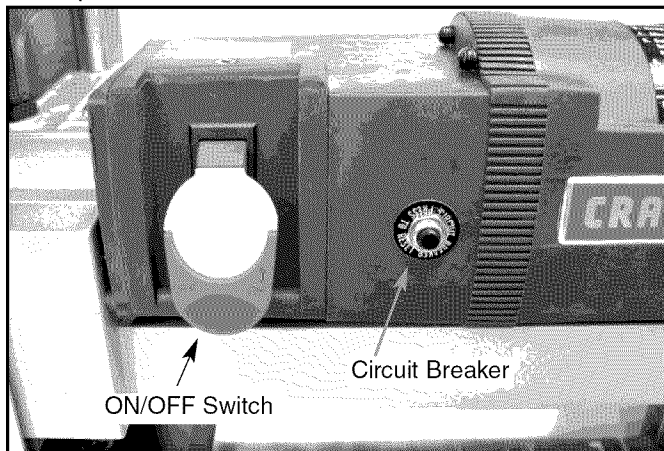


Figure 7 - ON/OFF Switch and Circuit Reset

SWITCH LOCK

Refer to Figure 8.

The planer can be locked from unauthorized use by locking the switch. To lock the switch:

- Turn the switch to OFF position and disconnect planer from power source.
- Pull the key out. The switch cannot be turned on with the key removed.

NOTE: Should the key be removed from the switch at the ON position, the switch can be turned off but cannot be turned on.

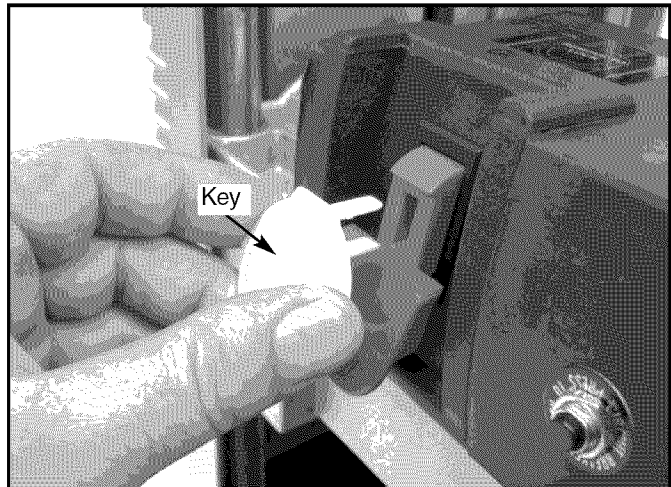


Figure 8 - Switch Lock

- To replace key, slide key into the slot on switch until it snaps.

CIRCUIT BREAKER

Refer to Figure 7.

The planer is equipped with a motor protection device-circuit breaker. The breaker will automatically shut the planer off when excessive current is consumed. If the breaker is tripped, turn the planer off and reset the circuit by pressing the button.

CAUTION: Be sure to turn the planer off prior to resetting the circuit breaker to avoid unintentional start-up of the planer.

DEPTH OF CUT

Refer to Figure 9.

Thickness planing refers to the sizing of lumber to a desired thickness while creating a level surface parallel to the opposite side of the board. Board thickness which the planer will produce is indicated by the scale.

Depth-of-cut is adjusted by raising or lowering the roller case using handle.

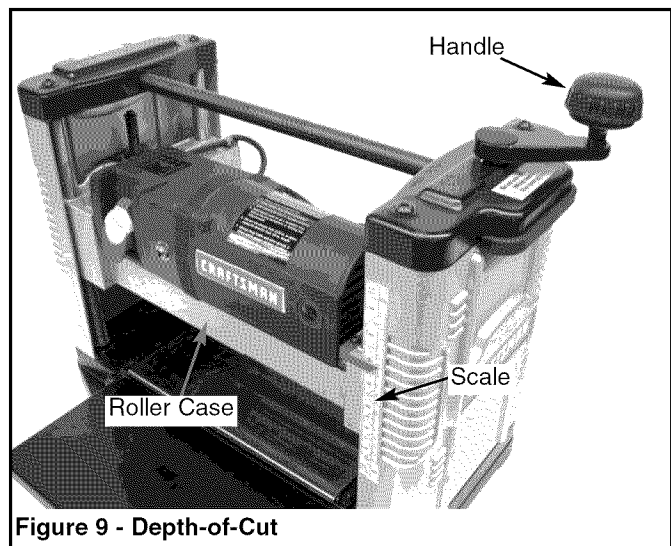


Figure 9 - Depth-of-Cut

- Each full rotation of the handle moves the roller case 1/16"

- Quality of thickness planing depends on the operator's judgement about the depth of cut.
- Depth of cut depends on the width, hardness, dampness, grain direction and grain structure of the wood.
- Maximum thickness of wood which can be removed in one pass is $\frac{3}{32}$ " for planing operations on workpieces up to 5" wide. Workpiece must be positioned away from the center tab on the roller case to cut $\frac{3}{32}$ ".
- Maximum thickness of wood which can be removed in one pass is $\frac{1}{32}$ " for planing operations on workpiece from 5" up to 12 $\frac{1}{2}$ " wide.

CAUTION: A $\frac{3}{32}$ " depth-of-cut on hard, softwood 6-12" wide can be made. However, continuous operation at this set-up can cause premature motor failure.

- For optimum planing performance, the depth of cut should be less than $\frac{1}{16}$ ".
- Board should be planed with shallow cuts until the work has a level side. Once a level surface has been created, flip the lumber and create parallel sides.
- Plane alternate sides until the desired thickness is obtained. When half of total depth of cut is taken from each side, the board will have a uniform moisture content and additional drying will not cause it to warp.
- Depth of cut should be shallower when work is wider.
- When planing hardwood, take light cuts or plane the wood in thin widths.
- Make a test cut with a test piece and verify the thickness produced.
- Check accuracy of test cut prior to working on finished product.

AVOID DAMAGE TO BLADES

- Thickness planer is a precision woodworking machine and should be used on quality lumber only.
- Do not plane dirty boards; dirt and small stones are abrasive and will wear out blade.
- Remove nails and staples. Use planer to cut wood only.
- Avoid knots. Heavily cross-grained wood makes knots hard. Knots can come loose and jam blade.

CAUTION: Any article that encounters planer blades may be forcibly ejected from planer creating risk of injury.

PREPARE WORK

- Thickness planer works best when lumber has at least one flat surface.
- Use surface planer or jointer to create a flat surface.
- Twisted or severely warped boards can jam planer. Rip lumber in half to reduce magnitude of warp.
- Work should be fed into planer in same direction as the grain of the wood. Sometimes grain will change directions in middle of board. In such cases, if possible, cut board in middle before planing so grain direction is correct.

CAUTION: Do not plane board which is less than 14 $\frac{1}{2}$ " long; force of cut could split board and cause kickback.

FEEDING WORK

The planer is supplied with planing blades mounted in the cutterhead and infeed and outfeed rollers adjusted to the correct height. Planer feed is automatic; it will vary slightly depending on type of wood.

- Feed rate refers to rate at which lumber travels through planer.
- Align work perpendicular to roller case so that work feeds through planer straight.
- Raise/lower roller case to produce the depth of cut desired.
- Stand on side to which the handle is attached.
- Boards longer than 24" should have additional support from free standing material stands.
- Position the workpiece with the face to be planed on top.
- Turn the planer on.
- Rest board end on table and direct board into planer.
- Gently slide workpiece into the infeed side of the planer until the infeed roller begins to advance the workpiece.
- Let go of the workpiece and allow automatic feed to advance the workpiece.
- Do not push/pull on workpiece. Move to the rear and receive planed lumber by grasping it in same manner as it was fed.

CAUTION: To avoid risk of injury due to kickbacks, do not stand directly in line with front or rear of planer.

- Do not grasp any portion of board which has not gone past out-feed roller.
- Repeat this operation on all boards which need to be same thickness.
- Planer has return roller on top so assistant can pass work back to operator.

NOTE: Assistant must follow same precautions as operator.

- Surface that the planer will produce will be smoother if shallower depth of cut is used.

Avoiding Snipe

- Snipe refers to a depression at either end of board caused by an uneven force on cutterhead when work is entering or leaving planer.
- Snipe will occur when boards are not supported properly or when only one feed roller is in contact with work at beginning or end of cut.
- To avoid snipe, gently push the board up while feeding the work until the outfeed roller starts advancing it.
- Move to the rear and receive planed board by gently pushing it up when the infeed roller loses contact with the board.
- When planing more than one board of the same thickness, butt boards together to avoid snipe.

- Snipe is more apparent when deeper cuts are taken.
- Feed work in direction of grain. Work fed against grain will have chipped, splintered edges.

MAINTENANCE

Planer will operate best if kept in good condition and properly adjusted.

CHECK FOR WORN BLADES

- Condition of blades will affect precision of cut. Observe quality of cut which planer produces to check condition of blades.
- Dull blades will tear, rather than sever wood fibers and produce fuzzy appearance.
- Raised grain will occur when dull blades pound on wood that has varying density. Raised edge will also be produced where blades have been nicked.
- Blades on this planer are reversible. Blades should always be reversed or replaced as matched set. Keeping a spare set of blades on hand is recommended.

CHANGING BLADES

Refer to Figures 10-13 pages 8 and 9.

WARNING: Always turn planer OFF and disconnect from power source before starting any maintenance work.

- Loosen and remove thumb screws from blade guard on the rear side of planer. Remove blade guard.

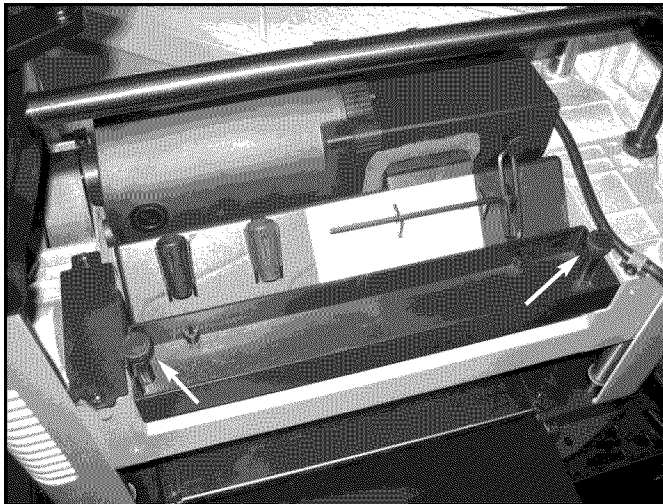


Figure 10 - Remove Blade Guard

- Carefully turn cutterhead by hand towards you until it is stopped by the self-engaging latch.
- Loosen and remove six bolts from gib.

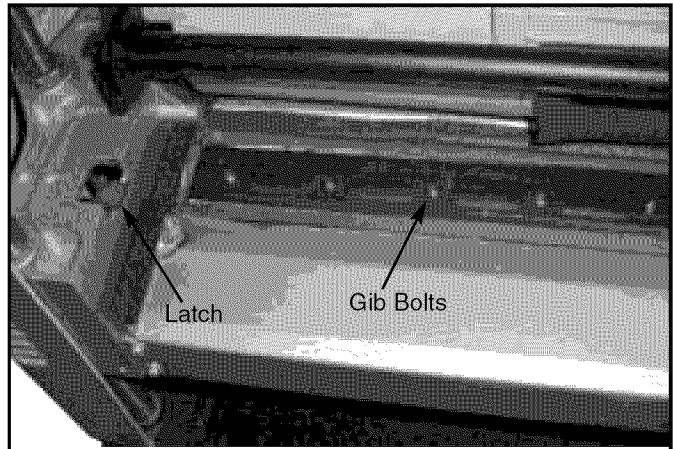


Figure 11 - Remove Gib Bolts

- Remove gib using magnets provided.

NOTE: Magnets can be easily disengaged from gib by tilting them to left or right.

CAUTION: Blade edges are extremely sharp. Keep fingers away from blades at all times.

- Blade is located in position by two pins. Gently lift old blades from cutterhead using magnets. Do not make contact with the blade using fingers. Use magnet only.

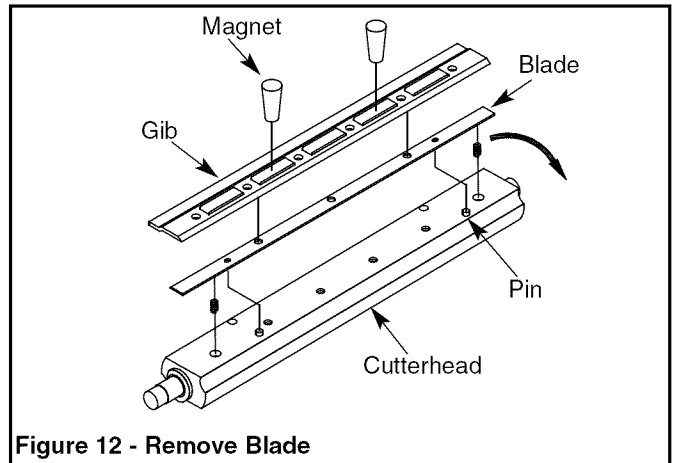


Figure 12 - Remove Blade

- Reverse or replace blade and carefully position it on the two pins using magnets.
- Replace gib and align the holes on the gib with holes on the blade using magnets.
- Secure gib to cutterhead using six bolts removed earlier.
- Depress latch to release cutterhead. Release latch when cutterhead can be turned by hand.
- Turn cutterhead by hand until it is stopped by self-engaging latch.
- Remove gib and blade as mentioned earlier.
- Replace with new blade and replace gib and secure it as mentioned earlier.
- Replace blade guard and secure it using two bolts.

BRUSH INSPECTION AND REPLACEMENT

WARNING: Turn planer off and disconnect from power source. Brush life depends on amount of load on motor. Regularly inspect brushes after 100 hours of use. Brushes are located on either side of planer motor.

- Loosen brush cap and carefully remove brush from motor.

NOTE: Brushes are located on both front and rear sides of planer.

- Replace brushes if spring is damaged.
- Replace brushes if carbon is worn.
- Replace brushes and tighten brush caps.

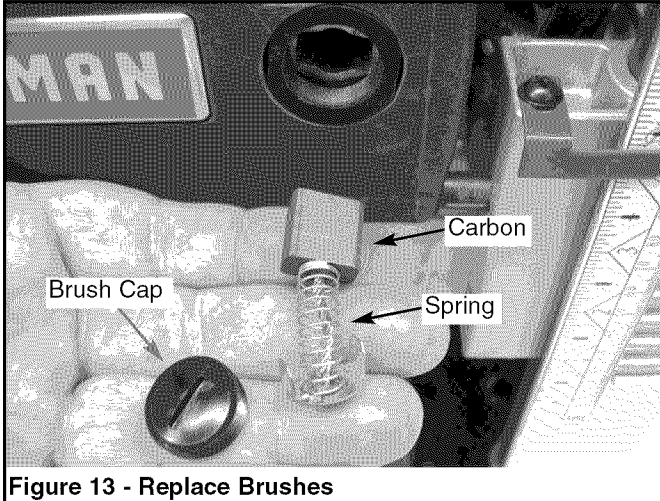


Figure 13 - Replace Brushes

ADJUSTING TABLE LEVEL

Refer to Figures 14 and 15, pages 12 and 14.

The planer will produce uneven depth of cut (tapered cut) if the rollercase (Fig. 15, Key No. 26) is not parallel with the base (Fig. 14, Key No. 20). To restore parallelism of the rollercase with the base:

- Using a test piece, measure the height of the taper.
- Turn planer off and disconnect from power source.
- Fold the front and rear extension tables.
- Lay planer carefully on its side so that bottom side of the base is exposed.
- Clamp vise plier (not supplied) on the left side of shaft (Fig. 14, Key No. 31) next to the gear (Fig. 14, Key No. 35).
- Remove retaining ring (Fig. 14, Key No. 34) and disengage right gear from the elevation screw gear.
- Slowly rotate handle (Fig. 14, Key No. 5) to raise or lower rollercase. Rollercase will move by 0.006" with every turn of the gear by one tooth. Move rollercase to the required distance to offset the taper.
- Re-engage the right and elevation screw gear and replace retaining ring to secure.

- Release and remove vise plier.
- Set the planer back on its base.
- Make a test cut to verify adjustment.

REPLACING V-BELT

Refer to Figures 14 and 15, pages 12 and 14.

Inadequate tension in the V-belt (Fig. 15, Key No. 46) will cause the belt to slip from the motor pulley (Fig. 15, Key No. 49) or drive pulley (Fig. 15, Key No. 47). Loose belt must be replaced. To replace V-belt:

- Turn planer off and unplug from power source.
- Loosen and remove screws (Fig. 14, Key No. 1) on right cap (Fig. 14, Key No. 6). Remove panel (Fig. 14, Key No. 37).
- Loosen and remove screws (Fig. 15, Key No. 29) on belt guard (Fig. 15, Key No. 30). Remove belt guard.
- Loosen bolt (Fig. 15, Key No. 38) to loosen motor assembly.
- Remove old belt by walking the belt from motor and drive pulleys alternatively. Push motor down and pull the belt outward while turning the pulleys at the same time.
- Replace with new belt. Walk the belt on to the pulleys in the reverse manner as when removing the belt.
- Make sure the belt is evenly seated all the way on the motor and drive pulley grooves.
- Pry motor upward to apply tension to belt. Secure in position by tightening bolt (Fig. 15, Key No. 38).
- Replace belt guard and screws (Fig. 15, Key Nos. 29 and 30).
- Replace and secure right panel.

LUBRICATION

- Motor and cutterhead bearings are sealed and need no lubrication.
- Gears and elevation screws should be cleaned of debris and greased as needed.

CLEAN PLANER

- Keep planer clean of any wood chips, dust, dirt or debris.
- After 10 hours of operation, the chains and gears should have wood chips, dust and old grease removed.
- Use common automotive bearing grease to lubricate all chains and gears. Be sure all chains and gears have plenty of grease.
- Clean the granite table using a soft, damp cloth. Do not use any waxes, oils or solvents on the table.

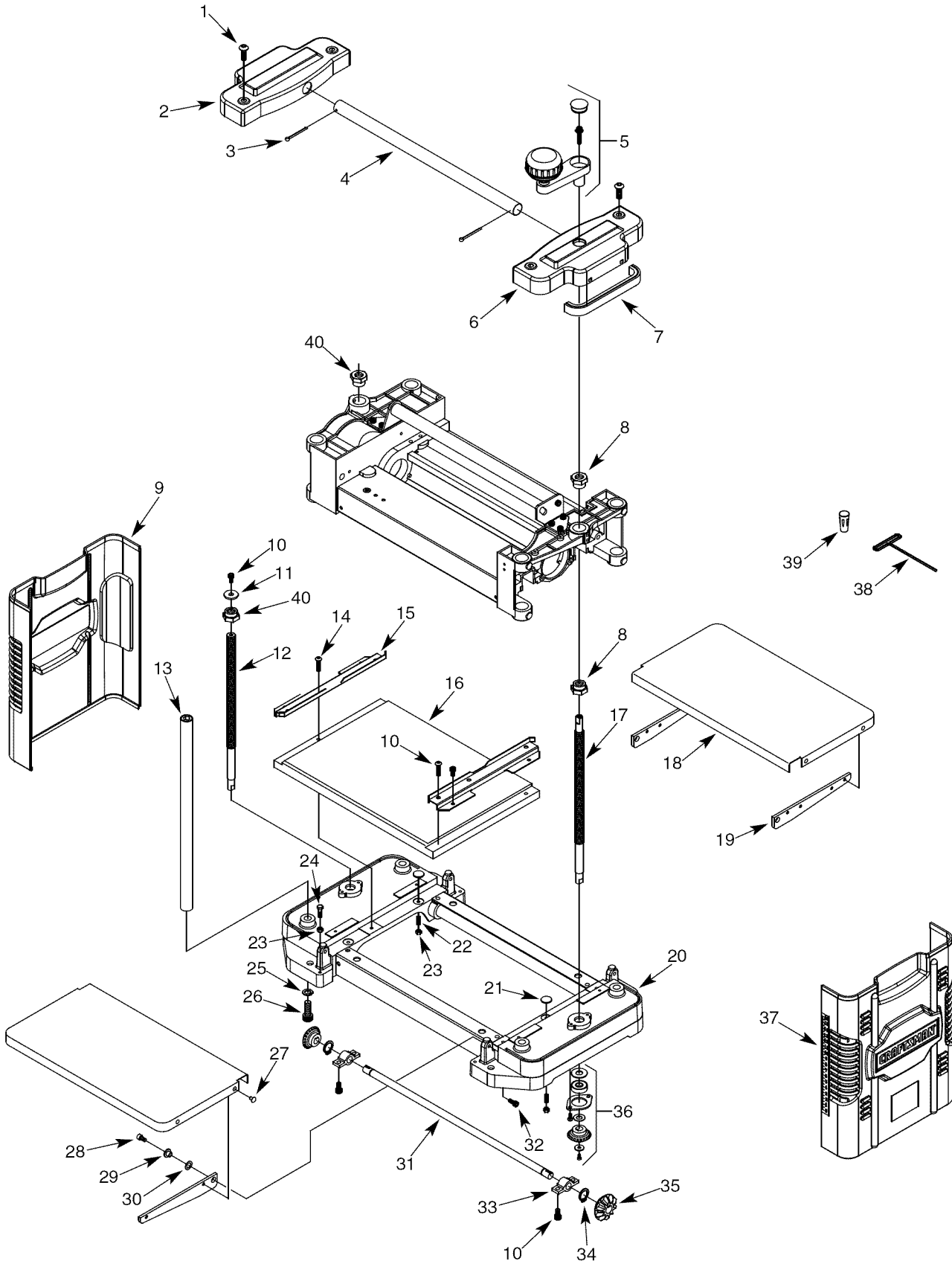
TROUBLESHOOTING

SYMPTOM	POSSIBLE CAUSE(S)	CORRECTIVE ACTION
Snipe (gouging at ends of board)	<ol style="list-style-type: none"> 1. Dull blades 2. Inadequate support of long boards 3. Uneven force on cutterhead 4. Roller case not level with base 5. Lumber not butted properly 	<ol style="list-style-type: none"> 1. Reverse or replace blades per instructions. See "Maintenance" 2. Support long boards. See "Avoiding Snipe" 3. Gently push board when board is in contact with only one feed roller. See "Avoiding Snipe" 4. Adjust roller case See "Adjusting Table Level" 5. Butt end to end each piece of stock as boards pass through planer
Fuzzy grain	Planing wood with a high moisture content	Remove high moisture content from wood by drying.
Torn grain	<ol style="list-style-type: none"> 1. Too heavy a cut 2. Blades cutting against grain 3. Dull blades 	<ol style="list-style-type: none"> 1. Review "Depth of Cut" 2. Review "Feeding Work" 3. Replace blades per instructions See "Maintenance"
Rough raised grain	<ol style="list-style-type: none"> 1. Dull blades 2. Too heavy a cut 3. Moisture content too high 	<ol style="list-style-type: none"> 1. Replace blades per instructions See "Maintenance" 2. Review "Depth of Cut" 3. Dry the wood or use dried wood
Uneven depth of cut (side to side)	Roller case not level with planer base	Roller case not level See "Adjusting Table Level"
Roller case elevation adjusts with difficulty	<ol style="list-style-type: none"> 1. Gears dirty 2. Elevation screws dirty 3. Gears, elevation screws worn 4. Friction between roller case and covers 5. Roller case not parallel with planer base 	<ol style="list-style-type: none"> 1. Clean and lubricate gears 2. Clean and lubricate elevation screws 3. Replace gears, elevation screws 4. Clean and lubricate 5. Adjust roller case. See "Adjusting Table Level"
Board feeds inside, but stops moving past the outfeed roller	<ol style="list-style-type: none"> 1. Outfeed roller cannot rotate due to clogging of chips 2. Too much pressure on the cutterhead from long workpiece 	<ol style="list-style-type: none"> 1. Clear the clogging from dust collection system. See "Clean Planer" 2. Use support stands to support workpiece longer than 24"
Board thickness does not match depth of cut scale	Indicator not set correctly	Adjust indicator and tighten securely
Chain jumping	<ol style="list-style-type: none"> 1. Sprockets worn 2. Chain worn 	<ol style="list-style-type: none"> 1. Replace sprockets 2. Replace chain
Planer will not operate	<ol style="list-style-type: none"> 1. No power to planer 2. Motor overload protection tripped 3. Defective or loose switch or wiring 	<ol style="list-style-type: none"> 1. Check power source by qualified electrician. 2. Turn planer off. Reset motor overload protection. See "Overload Reset" 3. Check switch and wiring by qualified electrician
Belt slipping	Loose belt	Replace belt, see "Replacing V-Belt"

NOTES

Model 351.217581

Figure 14 - Replacement Parts Illustration for Base



REPLACEMENT PARTS LIST FOR BASE

KEY NO.	PART NO.	DESCRIPTION	QTY.
1	06346.00	6-1.0 x 12mm Socket Pan Head Screw	4
2	24770.00	Left Cap	1
3	31666.00	2.5 x 28mm Cotter Pin	2
4	24773.00	Roller	1
5	30680.00	Handle Assembly	1
6	24771.00	Right Cap	1
7	24772.00	Grip	2
8	30681.00	Elevating Nut (RH)	2
9	30682.00	Left Side Cover	1
10	STD870512	5-0.8 x 12mm Socket Head Bolt*	11
11	30683.00	Spacer 5 x 19 x 2mm	1
12	30684.00	Elevating Screw (LH)	1
13	30685.00	Column	4
14	18349.00	6-1.0 x 25mm Socket Head Screw	3
15	30686.00	Guide	2
16	30690.00	Table	1
17	30687.00	Elevating Screw (RH)	1
18	30688.00	Extension Table Assembly	2
19	30689.00	Table Support	2
20	N/A	Base	1
21	30691.00	Plate	3
22	01640.00	6-1.0 x 16mm Set Screw	3
23	STD840610	6-1.0mm Hex Nut*	4
24	30692.00	Adjustment Screw	4
25	STD852010	10mm Lock Washer*	4
26	05367.00	10-1.5 x 40mm Socket Head Bolt	4
27	30693.00	Screw	4
28	STD863616	6-1.0 x 16mm Pan Head Screw	4
29	24816.00	Bushing	4
30	24817.00	Wavy Washer	4
31	30694.00	Shaft	1
32	30695.00	Screw	8
33	24788.00	Support	2
34	00221.00	3AMI-10 Retaining Ring	2
35	30696.00	Bevel Gear	4
36	30697.00	Elevation Screw Bearing Assembly	2
37	30698.00	Right Side Cover	1
38	24806.00	Wrench	1
39	16115.00	Magnet	2
40	30781.00	Elevating Nut (LH)	2

* Standard hardware item available locally

N/A Not available as replacement part

Δ Not Shown

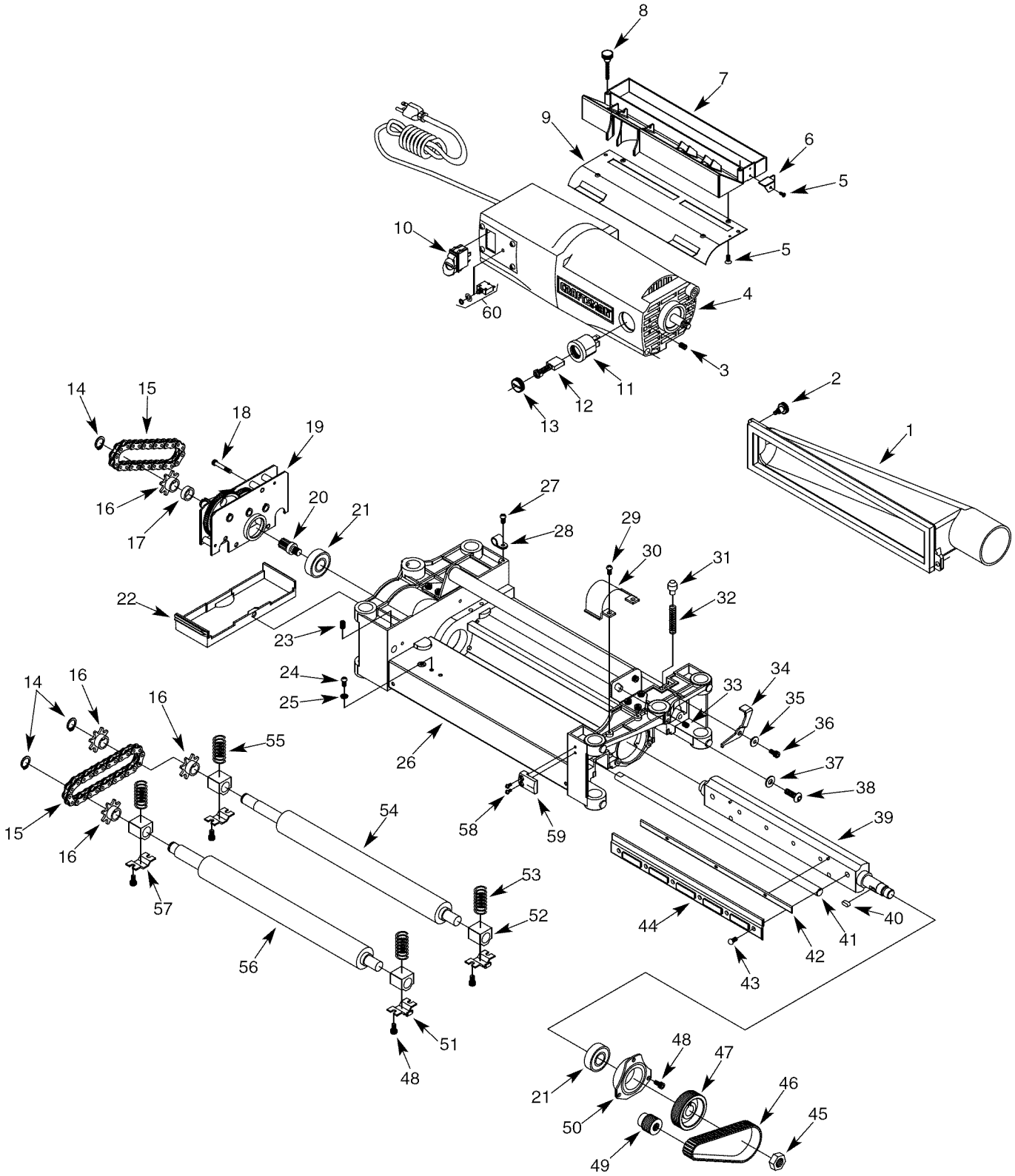
Recommended Accessories

Δ	Horizontal Roller Stand	9-21417
Δ	Three-Roller Stand	9-22268
Δ	Planer Blade (set of 2)	9-21770

PARTS LIST

Model 351.217581

Figure 15 - Replacement Parts Illustration for Rollercase



REPLACEMENT PARTS LIST FOR ROLLERCASE

KEY NO.	PART NO.	DESCRIPTION	QTY.
1	30699.00	Dust Exhaust Port	1
2	24792.00	Thumb Screw	2
3	05815.00	5-0.8 x 12mm Set Screw	2
4	30700.00	Motor Assembly	1
5	30701.00	4-1.4 x 8mm Flat Head Tap Screw	4
6	30702.00	Push Plate	1
7	30703.00	Dust Chute	1
8	24790.00	Thumb Screw	2
9	30704.00	Chute Plate	1
10	30705.00	Switch w/Key	1
11	30706.00	Brush Holder	2
12	30707.00	Brush (Set of 2)	1
13	30708.00	Brush Cap	2
14	00533.00	3AMI-15 Retaining Ring	3
15	18280.00	Chain	2
16	18337.00	Sprocket	4
17	18328.00	Spacer	1
18	STD870535	5-0.8 x 35mm Socket Head Bolt*	4
19	30709.00	Gearbox Assembly	1
20	18315.00	Pinion	1
21	STD315235	6203ZZ Ball Bearing*	2
22	30710.00	Cover	1
23	01516.00	5-0.8 x 8mm Set Screw	1
24	STD863508	5-0.8 x 8mm Pan Head Screw*	2
25	01474.00	5mm Serrated Washer	2
26	N/A	Rollercase	1
27	16133.00	5-0.8 x 10mm Washer Head Screw	1
28	30711.00	Cord Clamp	1
29	30712.00	4-0.7 x 10mm Washer Head Screw	2
30	30713.00	Belt Guard	1
31	30714.00	Plunger	1

KEY NO.	PART NO.	DESCRIPTION	QTY.
32	30715.00	Spring	1
33	03069.00	5-0.8 x 12mm Set Screw	4
34	30716.00	Cutterhead Lock	1
35	30717.00	Spacer	1
36	17964.00	5-0.8 x 12mm Washer Head Screw	1
37	01782.00	8mm Flat Washer (N)	1
38	STD835020	8-1.25 x 20mm Hex Head Bolt*	1
39	30718.00	Cutterhead	1
40	07322.00	5 x 5 x 12mm Key	1
41	30719.00	Rod	1
42	24797.00	Blade (set of 2)	1
43	05479.00	Locking Bolt	12
44	30720.00	Gib	2
45	24799.00	16mm Hex Nut	1
46	03841.00	Belt	1
47	30721.00	Cutterhead Pulley	1
48	STD870512	5-0.8 x 12mm Socket Head Bolt*	11
49	24819.00	Motor Pulley	1
50	18272.00	Bearing Retainer	1
51	24809.00	RH Retainer	2
52	24807.00	Bearing Block	4
53	30722.00	RH Spring	2
54	24813.00	Outfeed Roller	1
55	30723.00	LH Spring	2
56	24810.00	Infeed Roller	1
57	24808.00	LH Retainer	2
58	STD863216	3-0.5 x 16mm Pan Head Screw*	2
59	30724.00	Depth Indicator	1
60	17933.00	Circuit Breaker	1
Δ	30674.01	Operator's Manual	1

* Standard hardware item available locally

N/A Not available as replacement part

Δ Not Shown

CEPILLADORA DE ESPESOR DE 12½"

Modelo No.
351.217581

PRECAUCION: Lea y acate todas las normas de seguridad e instrucciones de operación antes de usar por primera vez este producto.

CONTENIDO

Inglés	2-15
Garantía	16
Reglas de seguridad	16-17
Desempaque	17
Montaje	18
Instalación	18-19
Operación	20-22
Mantenimiento	22-24
Identificación de problemas	25-26

GARANTIA

GARANTIA COMPLETA DE UN AÑO PARA HERRAMIENTA CRAFTSMAN

Si esta herramienta Craftsman fallara por causa de defectos en el material o en la mano de obra en un lapso de un año a partir de la fecha de compra, LLAME al 1-800-4-MY-HOME@ PARA SOLICITAR LA REPARACION GRATUITA DEL PRODUCTO (o su reemplazo si no se puede reparar la unidad). Esta garantía no incluye partes fungibles, tales como lámparas, baterías, barrenas o cuchillas.

Si esta herramienta se usa alguna vez para fines comerciales o de alquiler, esta garantía es válida únicamente por 90 días a partir de la fecha de compra.

Esta garantía le otorga derechos legales específicos y también puede usted tener otros derechos que varíen de estado a estado.

Sears, Roebuck and Co., 817WA, Hoffman Estates, IL 60179

REGLAS DE SEGURIDAD

ADVERTENCIA: Por su propia seguridad, lea todas las normas y precauciones antes de manejar la herramienta.

ADVERTENCIA DE LA PROPOSICION 65: Parte del polvo producido por el uso de herramientas mecánicas contiene sustancias químicas que el estado de California reconoce como cuasantes de cáncer, malformaciones congénitas u otros daños reproductivos.

Algunos ejemplos de estas sustancias químicas son:

- Plomo proveniente de pinturas con base de plomo.
- Sílice cristalino proveniente de ladrillos, cemento y otro material de mampostería.
- Arsénico y cromo proveniente de madera químicamente tratada.

El riesgo debido a la exposición de estas sustancias químicas depende de la frecuencia con la cual realice este tipo de trabajo. Para reducir la exposición a estas sustancias químicas: trabaje en un área bien ventilada y utilice equipo de seguridad aprobado. Cuando trabaje con este tipo de herramientas, utilice siempre una máscara para la cara o respirador adecuadamente ajustados, aprobados por OSHA/NIOSH.

PRECAUCION: Aplique siempre los procedimientos de operación correctos, tal como se definen en este manual, aun cuando esté familiarizado con el uso de ésta u otras herramientas similares. Recuerde que descuidarse aunque sólo sea por una fracción de segundo puede ocasionarle graves lesiones.

PREPARESE PARA EL TRABAJO A REALIZAR

- Use la indumentaria apropiada. No use ropa holgada, guantes, corbatas, anillos, pulseras ni otras joyas que puedan atascarse en las piezas móviles de la máquina.
- Use una cubierta protectora para recoger el cabello largo.
- Use calzado de seguridad con suela antideslizante.
- Use gafas de seguridad que cumplan con la norma estadounidense ANSI Z87.1. Las gafas corrientes tienen solamente lentes resistentes al impacto. **No** son gafas de seguridad.
- Use máscara facial o máscara contra el polvo si la tarea produce polvo.
- Debe mantenerse alerta y pensar con claridad. Nunca opere herramientas mecánicas cuando esté cansado, intoxicado o bajo la influencia de medicamentos que produzca somnolencia.

PREPARE EL AREA DE TRABAJO PARA LA TAREA A REALIZAR

- Mantenga el área limpia. Un área de trabajo desordenada es propicia para los accidentes.
- No use herramientas mecánicas en ambientes peligrosos.
- No use herramientas mecánicas en lugares húmedos o mojados. No exponga las herramientas mecánicas a la lluvia.
- El área de trabajo debe estar iluminada adecuadamente.
- Debe estar disponible un receptáculo eléctrico para la herramienta. El enchufe de tres espigas debe enchufarse directamente a un receptáculo para tres espigas puesto a tierra correctamente.
- Los cables de extensión deben tener una espiga de tierra y sus tres hilos deben ser del calibre correcto.
- Mantenga a los visitantes a una distancia prudencial del área de trabajo.
- Mantenga a los niños fuera del lugar de trabajo. Haga que su taller sea a prueba de niños. Use candados, interruptores principales o retire las llaves de los interruptores para evitar el uso involuntario de las herramientas mecánicas.

ES IMPORTANTE DARLES MANTENIMIENTO A LAS HERRAMIENTAS

- Desenchufe siempre la herramienta antes de inspeccionarla.
- Consulte el manual acerca de los procedimientos de mantenimiento y ajuste específicos.
- Mantenga la herramienta lubricada y limpia para un funcionamiento más seguro.

- Retire las herramientas de ajuste. Desarrolle el hábito de verificar que hayan sido retiradas las herramientas de ajuste antes de encender la máquina.
- Mantenga todas las piezas listas para funcionar. Revise el protector u otras piezas para determinar si funcionan correctamente y hacen el trabajo que deben hacer.
- Verifique que no haya piezas dañadas. Verifique la alineación de las piezas móviles, el atascamiento, las roturas, el montaje y cualquier otra condición que pueda afectar el funcionamiento de la herramienta.
- Si está dañado un protector o cualquier otra pieza, deben repararse o reemplazarse adecuadamente. No haga reparaciones provisionales (vélgase de la lista de piezas incluida para solicitar piezas de repuesto).

EL OPERADOR DEBE SABER USAR LA HERRAMIENTA

- Use la herramienta adecuada para la tarea. No fuerce la herramienta o el accesorio ni los use para una tarea para la que no fueron diseñados.
- Desconecte la herramienta cuando cambie las cuchillas.
- Evite un arranque accidental. Cerciórese de que el interruptor esté en la posición OFF (apagado) antes de enchufar la herramienta.
- No fuerce la herramienta. Funcionará en la forma más eficiente a la velocidad para la cuál se diseñó.
- Mantenga las manos alejadas de las piezas móviles y superficies cortantes.
- Nunca desatienda una herramienta en marcha. Desconéctela y no abandone el lugar hasta que se haya detenido por completo.
- No trate de alcanzar demasiado lejos. Manténgase firmemente apoyado y en equilibrio.
- No esté nunca de pie sobre la herramienta. Se pueden sufrir graves lesiones si se inclina la herramienta o si se hace contacto con la cuchilla involuntariamente.
- Conozca su herramienta. Aprenda a manejar la herramienta, su aplicación y limitaciones específicas.
- Use los accesorios recomendados (vea la página 13). Si se usan accesorios incorrectos, se puede correr el riesgo de lesionar a las personas.
- Manipule correctamente la pieza de trabajo. Protéjase las manos de posibles lesiones.
- Apague la máquina si se atasca. La cuchilla se atasca si se introduce muy profundamente en la pieza de trabajo (la fuerza del motor la mantiene trabada en la pieza de trabajo).
- Siempre mantenga los protectores de la transmisión, el portacuchilla y la cuchilla en su lugar, y en adecuadas condiciones de funcionamiento.

- Introduzca la pieza de trabajo en la cuchilla o cortador en sentido contrario al de la rotación.

PRECAUCION: ¡Tenga en cuenta la seguridad! La seguridad es una combinación del sentido común del operador y un estado de alerta permanente al usar la herramienta.

ADVERTENCIA: No trate de operar la herramienta hasta que haya sido completamente armada según las instrucciones.

DESEMPAQUE

Vea la Figura 1 a continuación.

Verifique que no hayan ocurrido daños durante el envío. Si hay daños, se deberá presentar un reclamo a la compañía de transporte. Verifique que esté completa. Avise inmediatamente al distribuidor si faltan piezas.

IMPORTANTE: Retire el recubrimiento de la mesa de hacer funcionar la unidad.

La cepilladora viene armada como una unidad. Es necesario localizar y tomar en cuenta las piezas adicionales que deben asegurarse a la herramienta antes de armarla:

- A Canal para polvo
- B Tornillo de mariposa (2)
- C Llave hexagonal con mango en T (en la cepilladora)
- D Enchufe
- E Imán (en la cepilladora, 2)
- F Manivela con perilla
- G Perno de cabeza hueca con arandela seguridad, 5-0.8 x 25 mm

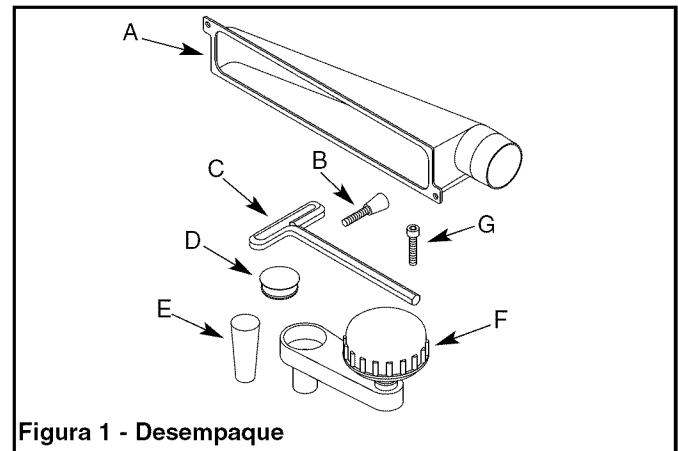


Figura 1 - Desempaque

MONTAJE

ADVERTENCIA: No trate de ensamblarla si faltan piezas. Válgase de este manual para solicitar piezas de repuesto.

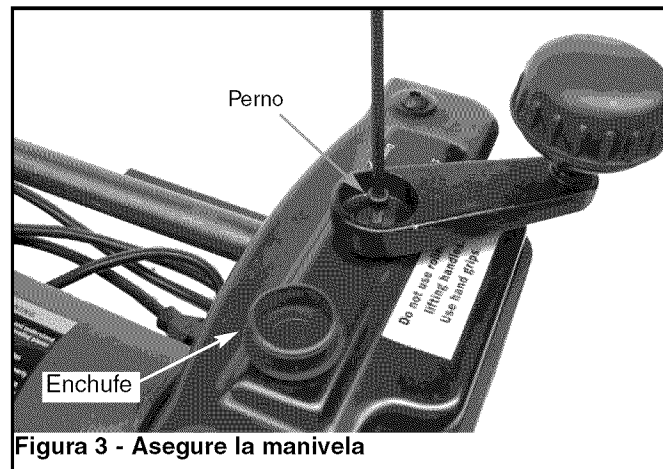
INSTALE LA MANIVELA

Vea las Figuras 2 y 3.

- La manivela con perilla debe instalarse en la parte superior derecha de la cepilladora.
- Introduzca la manivela con perilla en la parte superior del tornillo de elevación.



- Asegure la manivela con el perno y la llave con mango en T que se incluye.
- Inserte el enchufe en la manivela para cubrir el perno.



ACOPLE EL CANAL PARA POLVO

Vea la Figura 15, página 14.

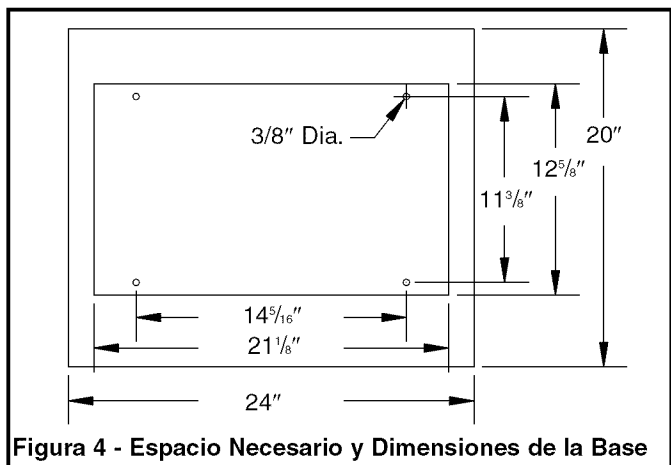
Es mejor usar la cepilladora junto con un colector de polvo. El canal para polvo viene incluido con la unidad. El canal para polvo (Clave No. 1) se monta en la caja de rodillos (Clave No. 26) utilizando dos tornillos de mariposa (Clave No. 2). El canal para polvo puede montarse de manera de dirigir las astillas a cualquier lado de la cepilladora.

- Luego de montarlo, conecte una manguera de aspirador para uso húmedo/seco al canal para polvo. Asegúrese de encender el aspirador antes de usar la cepilladora.

MONTAJE DE LA CEPILLADORA EN LA SUPERFICIE DE TRABAJO

Vea la Figura 4.

- La cepilladora ha sido diseñada para ser portátil de modo que puede llevarse al lugar de trabajo, pero se debe montar en un banco o mesa estable y nivelada, en una ubicación que cuente con suficiente iluminación y una fuente de alimentación adecuada.
- Asegúrese que haya suficiente espacio para mover la pieza de trabajo a través de todo el corte. Deberá haber suficiente espacio de manera que ni los operadores ni demás personas tengan que pararse en línea con la madera mientras se esté usando la herramienta.
- La base de la cepilladora tiene cuatro agujeros de montaje. Monte la cepilladora en el banco de trabajo o en la plataforma de soporte utilizando pernos, arandelas planas y tuercas hexagonales (no incluidos).
- La Figura 4 muestra las dimensiones de la base, los orificios de montaje y el espacio necesario para colocar el conjunto de la mesa en posición horizontal.



- Monte firmemente la cepilladora en la mesa de trabajo apernándola a través de los agujeros. Asegúrese de que la cepilladora no se mueva y de que la mesa de trabajo quede nivelada.

INSTALACION

FUENTE DE ALIMENTACION

ADVERTENCIA: No conecte la cepilladora a la fuente de alimentación hasta haber cumplido todos los pasos del ensamblaje.

El motor ha sido diseñado para funcionar al voltaje y frecuencia especificados. Las cargas normales se pueden manejar sin riesgos dentro de un intervalo del 10% respecto al voltaje especificado. Si se hace funcionar la unidad a un voltaje fuera de este intervalo, se puede recalentar y quemar el motor. Las cargas pesadas exigen que el voltaje en los terminales del motor no sea inferior al especificado.

- La fuente de alimentación del motor se controla mediante un interruptor de llave. Si se extrae la llave del interruptor, se bloquea la unidad e impide el uso no autorizado.

INSTRUCCIONES PARA LA CONEXION A TIERRA

ADVERTENCIA: Si no se conecta correctamente el conductor a tierra del equipo, se corre el riesgo de un electrochoque. El equipo debe estar conectado a tierra mientras se usa para proteger al operador de un electrochoque.

- Si no entiende las instrucciones de conexión a tierra o duda que la herramienta haya quedado efectivamente puesta a tierra, consulte un electricista calificado.
- Esta herramienta viene equipada con un cable y un enchufe de 3 espigas para conexión a tierra (vea la Figura 5) que lo protegen a usted de un electrochoque.
- El enchufe de conexión a tierra se debe enchufar directamente a un receptáculo para tres espigas, adecuadamente instalado y puesto a tierra, como se muestra (vea la Figura 5).



Figura 5 - Receptáculo para 3 espigas

- No retire ni altere en manera alguna la espiga de tierra. En caso de una falla de funcionamiento o de aislación, la conexión a tierra constituye una vía de menor resistencia para el electrochoque.

ADVERTENCIA: No permita que los dedos toquen los terminales del enchufe mientras lo introduce o extrae del tomacorriente.

- El enchufe se debe enchufar a un tomacorriente correspondiente que esté correctamente instalado y puesto a tierra según todos los códigos y ordenanzas locales. No modifique el enchufe que se incluye. Si no calza en el tomacorriente, haga que un electricista calificado instale uno que sea adecuado.
- Inspeccione los cables de la herramienta periódicamente y, si están dañados, hágalos reparar por un servicio autorizado.
- El conductor verde (o verde y amarillo) del cable es el hilo de conexión a tierra. Si es necesario reparar o reemplazar el cable de alimentación o el enchufe, no conecte el hilo verde (o verde y amarillo) a un terminal con corriente.
- Si tiene un tomacorriente de 2 espigas, se debe reemplazar por un receptáculo para tres espigas, puesto a tierra e instalado según el Código Eléctrico Nacional y demás códigos y ordenanzas locales.

ADVERTENCIA: Sólo un electricista calificado debe cambiar los receptáculos.

Se puede usar temporalmente un adaptador de 3 espigas a 2 espigas con conexión a tierra (vea la Figura 6) para conectar los enchufes a un tomacorriente bipolar que esté correctamente puesto a tierra.

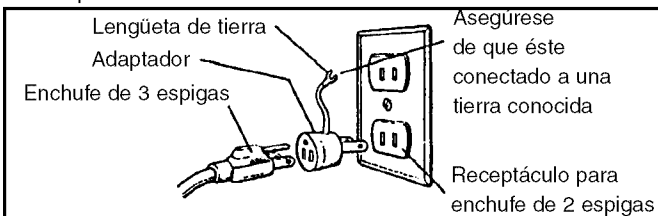


Figura 6 - Receptáculo con adaptador para enchufe de 2 espigas

- No use un adaptador de 3 espigas a 2 espigas con conexión a tierra a menos que esté permitido por los códigos y ordenanzas locales y nacionales (en Canadá no se permite usar adaptadores de 3 a 2 espigas con conexión a tierra).

Si se permite el uso de un adaptador de 3 a 2 espigas con conexión a tierra, se debe conectar firmemente la lengüeta verde o terminal rígido en un lado del adaptador a una toma de tierra permanente, p. ej., una tubería de agua puesta a tierra, una caja de tomacorriente puesta a tierra o un sistema de cables puesto a tierra.

- Muchas veces, los tornillos de la chapa de cubierta, las tuberías de agua y las cajas de tomacorriente no están correctamente puestos a tierra. Para garantizar que la conexión a tierra es efectiva, un electricista calificado debe verificar la toma de tierra.

CABLES DE EXTENSION

- El uso de un cable de extensión genera caída de voltaje y pérdida de energía.
- Los hilos del cable de extensión deben tener el tamaño suficiente para conducir la corriente y mantener el voltaje adecuado.
- Utilice la tabla para determinar el tamaño mínimo del alambre (según la norma AWG) del cordón de extensión
- Use cables de extensión de 3 hilos, con enchufe de tres espigas para conexión a tierra, y receptáculos tripolares adecuados para el enchufe de la herramienta.
- Si el cable de extensión está desgastado, cortado o dañado en alguna forma, reemplácelo de inmediato.

Longitud del cordón de extensión

Tamaño del alambre	Norma AWG
Hasta 25 pies.	14
25 a 50 pies.	12

AVISO: No se recomienda utilizar cordones de extensión de más de 50 pies de largo.

MOTOR

El motor universal de CA de 120 voltios tiene las siguientes especificaciones:

Voltaje	120
Amperaje	12
Frecuencia (Hz)	60
Fase.	Monofásica
Velocidad (rpm) de Portacuchilla.	9400

CONEXIONES ELECTRICAS

ADVERTENCIA: Cerciórese de que la unidad esté apagada y desconectada de la fuente de alimentación antes de inspeccionar el cableado.

El motor se ensambla con un cable de tres conductores, aprobado para usarse con 120 voltios como se indica. La fuente de alimentación del motor está controlada por un conmutador enclavador bipolar.

Las líneas de energía eléctrica se conectan directamente al conmutador. La línea de conexión a tierra verde debe permanecer firmemente sujeta al bastidor para ofrecer la adecuada protección contra un electrochoque.

Está instalado un protector de sobrecarga de reajuste manual en línea con la fuente de alimentación del motor. Si se sobrecarga la cepilladora, el protector interrumpe el circuito.

OPERACION

DESCRIPCION

La cepilladora Craftsman de 12½" acaba la madera tosca y la deja del tamaño correcto y cepilla las maderas duras de hasta 6" de espesor y 12½" de ancho. La madera se alimenta al portacuchilla de dos hojas por medio de los rodillos de goma de entrada/salida. Su fuerte construcción de base, mesa de granito y diseño de cuatro soportes permite una alimentación uniforme y un cepillado virtualmente sin redondeo. La cepilladora viene con un rodamiento de bola universal, encerrado, y un motor de 12 Amperaje con protección contra sobrecarga. El motor tiene un interruptor de ON/OFF (encendido/ apagado) con llave removible para impedir un arranque accidental. La unidad cuenta fácil reemplazo de las cuchillas sin necesidad de usar las manos para mayor seguridad y menor tiempo ocioso, rodillo de montaje superior para retorno de la pieza de trabajo y mangos incorporados para el transporte para mayor portabilidad. La cepilladora acepta cortes de hasta 3/32" por pasada a 26 pies por minuto. La escala de altura en pulgadas tiene gradaciones en incrementos de 1/16" y la escala métrica decimal tiene incrementos de 1 mm.

ESPECIFICACIONES

Tamaño de la mesa	12½ x 9¾"
Tamaño de la mesa de extensión	12½ x 6¾"
Tamaño de la base	21 x 12½"
Ancho de la pieza de trabajo (máx.)	12½"
Grosor de la pieza de trabajo (máx.)	6"
Profundidad de corte máxima	3/32"
Cortes por minuto	18,800
Velocidad de alimentación	26 FPM
Dimensiones generales	23½" P x 23½" A x 19" Alt.
Peso	67 lb.
Peso de embarque	72 lb.

NORMAS DE SEGURIDAD DE OPERACION

ADVERTENCIA: Por su propia seguridad, lea todas las reglas y precauciones antes de manejar la herramienta.

ADVERTENCIA: El funcionamiento de todas las herramientas mecánicas puede hacer que sean lanzados a los ojos cuerpos extraños, lo cual puede lesionarlos gravemente. Siempre use gafas de seguridad que cumplan con los requisitos de la norma estadounidense ANSI Z87.1 (se indica en el paquete) antes de comenzar a usar la herramienta mecánica.

PRECAUCION: Tenga siempre en cuenta las siguientes precauciones:

- Aprenda las normas de seguridad generales para el uso de herramientas mecánicas. Asegúrese de comprender todas las precauciones (vea las páginas 20, 21, 24 y 25).
- Cuando ajuste o reemplace cualquier pieza de la cepilladora, lleve el interruptor a la posición OFF (apagado) y retire el enchufe de la fuente de alimentación.
- Asegúrese que todos los protectores estén correctamente acoplados y firmemente sujetos.
- Asegúrese que nada obstaculice ninguna pieza móvil.
- Siempre use protección para los ojos o para la cara.
- Asegúrese que las cuchillas estén alineadas y correctamente acopladas al portacuchilla.

- No enchufe la cepilladora a menos que el interruptor esté en la posición de OFF (apagado). Después de encender el interruptor, permita que la cepilladora alcance toda la velocidad antes de usar.
- Mantenga las manos alejadas de las piezas móviles.
- No fuerce el corte. Si disminuye la velocidad o se queda atascado, se recalienta el motor. Permita que la alimentación automática funcione correctamente.
- Use madera de calidad. Las cuchillas duran más y los cortes resultan más uniformes si la madera es de buena calidad.
- No cepille material que tenga menos de 15" de longitud, menos de 3/4" de ancho, más de 12½" de ancho o menos de 1/2" de espesor.
- Nunca haga un corte de cepillado mayor de 3/32" de profundidad.
- Para piezas de trabajo con una longitud mayor de 24", use plataformas de apoyo para materiales. Vea "Accesorios recomendados" en la página 13.
- No haga retroceder la pieza hacia la superficie de alimentación.
- Tome las precauciones necesarias en caso de contragolpes. No permita que nadie cruce ni esté de pie en la trayectoria de rotación del portacuchilla. Los contragolpes o los residuos arrojados irán en esta dirección.
- Abra el interruptor y desconecte la alimentación si no se está usando la cepilladora.
- Reemplace las navajas si se dañan o desafilan.
- Dele mantenimiento a la cepilladora. Siga las instrucciones de mantenimiento (vea las páginas 27-28).

CONTROLES DE OPERACION

INTERRUPTOR DE ON/OFF (ENCENDIDO/APAGADO)

Vea la Figura 7.

El interruptor de ON/OFF (encendido/apagado) se halla en la parte delantera del motor de la cepilladora. Para llevar el interruptor de la cepilladora a la posición ON (encendido), muévelo hacia arriba. Para llevar el interruptor a la posición OFF (apagado), muévelo hacia abajo.

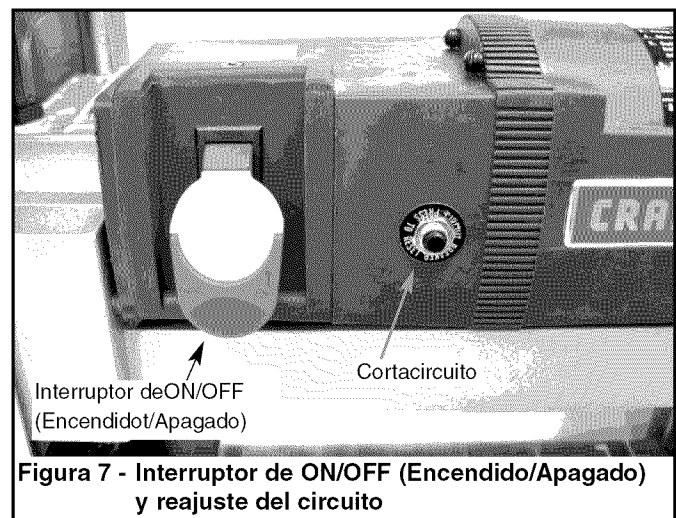


Figura 7 - Interruptor de ON/OFF (Encendido/Apagado) y reajuste del circuito

TRABA DEL INTERRUPTOR

Vea la Figura 8.

Se puede impedir el uso no autorizado de la cepilladora trabando el interruptor. Para trabar el interruptor:

- Gire el interruptor a la posición OFF (apagado) y desconecte la cepilladora de la fuente de alimentación.
- Extraiga la llave. No se puede llevar el interruptor a la posición de encendido sin la llave.

AVISO: Si se extrae la llave con el interruptor en la posición de ON (encendido), se puede llevar a la posición de apagado pero no a la de encendido.

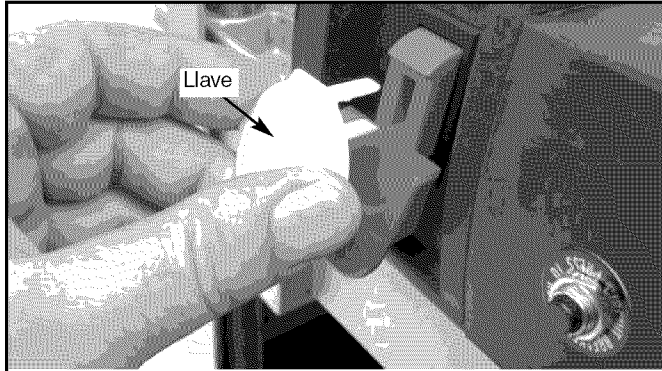


Figura 8 - Traba del interruptor y reajuste del circuito

- Para volver a insertar la llave, deslícela al interior de la ranura del interruptor hasta que se acople.

CORTACIRCUITO

Vea la Figura 7.

La cepilladora está equipada con un cortacircuito que sirve de protección al motor. El cortacircuito apaga automáticamente la cepilladora si se consume demasiada corriente.

Si el interruptor se dispara, apague la cepilladora y restaure el circuito presionando el botón.

PRECAUCION: Asegúrese de “apagar” la cepilladora antes de restaurar el cortacircuito para evitar un arranque involuntario de la cepilladora.

PROFUNDIDAD DEL CORTE

Vea la Figura 9.

El cepillado de espesor se refiere a reducir el tamaño de la madera al espesor deseado al mismo tiempo que se crea una superficie nivelada, paralela al lado opuesto de la tabla. El espesor que producirá la cepilladora se indica en la escala.

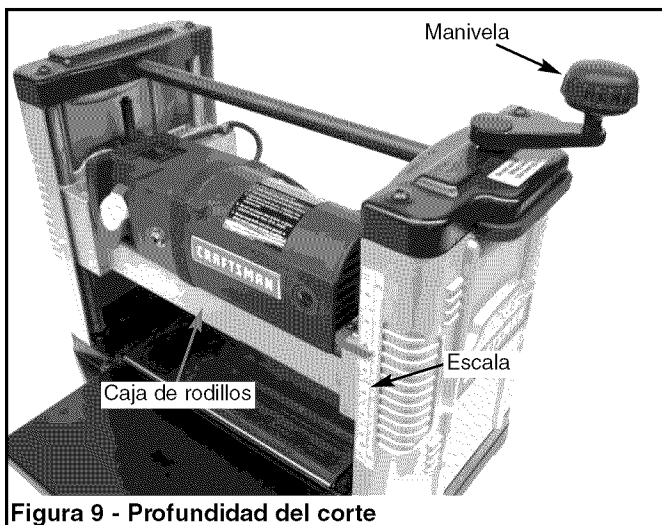


Figura 9 - Profundidad del corte

La profundidad del corte se ajusta subiendo o bajando la caja de rodillos mediante la manivela.

- Cada rotación completa de la manivela mueve la caja de rodillos $\frac{1}{16}$ ".
- La calidad del cepillado de espesor depende del juicio del operador en cuanto a la profundidad del corte.
- La profundidad del corte depende del ancho, la dureza, la humedad, la dirección de la veta y de la estructura de la veta de la madera.
- El espesor máximo de la madera que se puede eliminar en una pasada es de $\frac{3}{32}$ " en piezas de trabajo de hasta 5" de ancho. La pieza de trabajo se debe colocar alejada de la lengüeta central en la caja de rodillos para cortar $\frac{3}{32}$ ".
- El espesor máximo de la madera que se puede eliminar en una pasada es de $\frac{1}{32}$ " en piezas de trabajo desde 5 hasta 12 $\frac{1}{2}$ " de ancho.

PRECAUCION: Se puede efectuar un corte de $\frac{3}{32}$ " de profundidad en madera dura o blanda de 6-12" de ancho. No obstante, trabajar continuamente con esta configuración puede hacer fallar el motor prematuramente.

- Si se desea obtener el mejor desempeño de la cepilladora, la profundidad del corte debe ser menor de $\frac{1}{16}$ ".
- La tabla se debe cepillar con cortes poco profundos hasta que la pieza tenga un lado nivelado. Una vez lograda una superficie nivelada, dé vuelta a la madera y haga lados paralelos.
- Cepille los lados alternos hasta lograr el espesor deseado. Cuando se haya alcanzado la mitad de la profundidad total del corte por cada lado, la tabla tendrá un contenido de humedad uniforme y no se combará al secarse más.
- La profundidad del corte debe ser menor si la pieza es más ancha.
- Cuando cepille madera dura, haga cortes pequeños o cepílela en extensiones angostas.
- Haga un corte de prueba en la madera y verifique el espesor producido.
- Revise la precisión de la prueba de corte antes de trabajar en el producto terminado.

EVITE DAÑAR LAS CUCHILLAS

- La cepilladora de espesor es una máquina de precisión para trabajar en madera y sólo se debe usar en madera de buena calidad.
- No cepille tablas sucias; la suciedad y piedras pequeñas son abrasivas y desgastan la cuchilla.
- Extraiga los clavos y las grapas. Use la cepilladora para cortar madera solamente.
- Evite los nudos. La madera con una veta atravesada tupida endurece los nudos. Los nudos pueden soltarse y atascar la cuchilla.

PRECAUCION: Todo artículo que se encuentre con las cuchillas de la cepilladora puede ser lanzado con fuerza y ocasionar lesiones.

PREPARACION DEL TRABAJO

- La cepilladora de espesor funciona mejor cuando la madera tiene por lo menos una superficie plana.
- Use la cepilladora de superficie o un cepillo mecánico de banco para crear una superficie plana.

- Las tablas torcidas o muy combadas pueden atascar la cepilladora. Rompa la madera en dos para reducir la magnitud de la comba.
- Se debe alimentar la pieza a la cepilladora en la misma dirección de la veta de la madera. Algunas veces la veta cambia de dirección a la mitad de la tabla. En dichos casos, si es posible, corte la tabla por la mitad antes de cepillar de modo que la dirección de la veta sea la correcta.

PRECAUCION: No cepille una tabla que tenga menos de 14½" de longitud; la fuerza del corte puede partir la tabla y producir un contragolpe.

ALIMENTACION DE LA PIEZA DE TRABAJO

La cepilladora viene con las cuchillas de cepillado montadas en el portacuchilla y con los rodillos de alimentación y salida ajustados a la altura correcta. La alimentación de la cepilladora es automática; varía un poco dependiendo del tipo de madera.

- La velocidad de alimentación se refiere a la velocidad a la que avanza la madera a través de la cepilladora.
- Alinee la pieza de trabajo de manera perpendicular a la caja de rodillos de modo que la misma avance a través de la cepilladora de forma recta.
- Suba o baje la caja de rodillos para lograr la profundidad de corte deseada.
- Permanezca en el lado al cuál está acoplada la manivela.
- Las tablas con una longitud mayor de 24" deben tener mayor apoyo mediante pedestales de material independientes.
- Coloque la pieza de trabajo con la cara que se va a cepillar en la parte superior.
- Encienda la cepilladora.
- Haga descansar el extremo de la tabla en la mesa y diríjala hacia el interior de la cepilladora.
- Suavemente, deslice la pieza de trabajo hacia el interior del lado de alimentación de la cepilladora hasta que el rodillo de alimentación haga avanzar la pieza.
- Suelte la pieza de trabajo y permita que la alimentación automática la haga avanzar.
- No empuje ni tire de la pieza de trabajo. Muévase a la parte trasera y reciba la tabla cepillada agarrándola de la misma manera en que la alimentó.

PRECAUCION: Para evitar el riesgo de sufrir lesiones debido a los contragolpes, no se ponga de pie directamente en línea con la parte delantera o trasera de la cepilladora.

- No agarre ninguna parte de la tabla que no haya pasado por el rodillo de salida.
- Repita esta operación con todas las tablas que deban tener el mismo espesor.
- La cepilladora cuenta con rodillo de retorno en la parte superior de modo que el ayudante pueda devolverle la pieza al operador.

AVISO: El ayudante tiene que tomar las mismas precauciones que el operador.

- La superficie que produce la cepilladora es más lisa si se usa una profundidad de corte menor.

Cómo evitar el redondeo

- El redondeo se refiere a la depresión en cualquier extremo de la tabla producido por una fuerza dispereja en el portacuchilla cuando la pieza entra o sale de la cepilladora.
- El redondeo se produce cuando las tablas no están correctamente apoyadas o cuando solamente un rodillo de alimentación está en contacto con la pieza al comienzo o final del corte.

- Para evitar el redondeo, empuje suavemente la tabla hacia arriba al tiempo que la alimenta hasta que el rodillo de salida la haga avanzar.
- Muévase a la parte trasera y reciba la tabla cepillada empujándola suavemente hacia arriba cuando el rodillo de alimentación deje de hacer contacto con la tabla.
- Cuando cepille más de una tabla del mismo espesor haga que las tablas se topen entre sí para evitar el redondeo.
- El redondeo es más evidente cuando se hacen cortes más profundos.
- Alimente el trabajo en la dirección de la veta. La madera que se alimenta en contra de la veta tendrá bordes picados y astillados.
- Asegúrela en su posición apretando la cinta.

MANTENIMIENTO

La cepilladora funciona mejor si se mantiene en buen estado y ajustada adecuadamente.

VERIFIQUE QUE NO ESTEN DESGASTADAS LAS CUCHILLAS

- El estado de las cuchillas afecta la precisión del corte. Preste atención a la calidad del corte que produce la cepilladora para verificar el estado de las cuchillas.
- Las hojas desafiladas rasgan, en vez de cortar, las fibras de madera y dan una apariencia fibrosa.
- La veta se eleva si las cuchillas desafiladas golpean madera de densidad variable. Si las cuchillas tienen picaduras, se elevan además los bordes.
- Las cuchillas en esta cepilladora son reversibles. Las cuchillas deben siempre invertirse o reemplazarse en conjuntos que hagan juego. Se recomienda contar con un conjunto de cuchillas de reemplazo.

CAMBIO DE LAS CUCHILLAS

Vea la Figuras 10-13, las paginas 22 y 23.

ADVERTENCIA: Lleve siempre el interruptor de la cepilladora a la posición OFF (apagado) y desconéctela de la fuente de alimentación antes de iniciar cualquier tarea de mantenimiento.

- Afloje y extraiga los los tornillos de mariposa de la protección de la cuchilla, a un lado de la cepilladora. Retire la protección de la cuchilla.



Figura 10 - Retire protección de la cuchilla

- Gire cuidadosamente con la mano el portacuchilla hacia usted hasta que lo detenga el pestillo automático.
- Afloje y retire los seis pernos de la cuña.

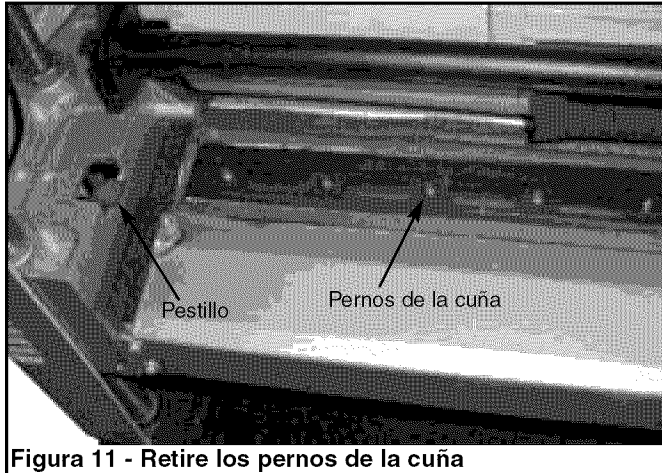


Figura 11 - Retire los pernos de la cuña

Retire la cuña mediante el imán que se incluyen.

AVISO: El imán se pueden separar fácilmente de la cuña inclinándolos hacia la izquierda o derecha.

PRECAUCION: Los bordes de la cuchilla están extremadamente afilados. Mantenga los dedos alejados de la cuchillas en todo momento.

- La cuchilla está ubicada en su posición mediante dos pasadores. Con cuidado levante la cuchilla vieja del portacuchilla usando los imanes. No toque la cuchilla con los dedos. Use sólo el imán.

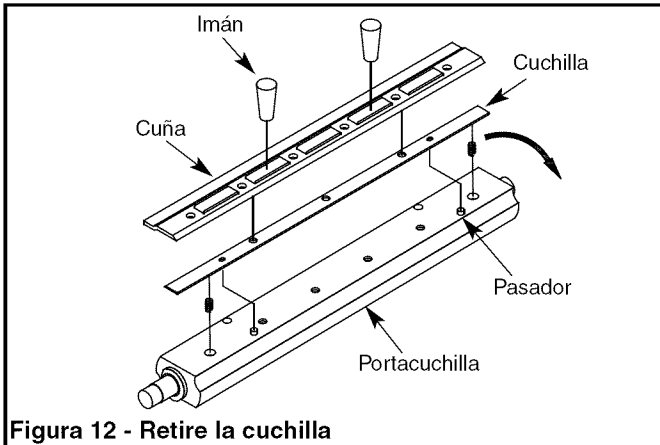


Figura 12 - Retire la cuchilla

- Invierta o reemplace la cuchilla y colóquela con cuidado en los dos pasadores usando los imanes.
- Reemplace la cuña y alinee los agujeros de la cuña y los de la cuchilla mediante el imán.
- Asegure la cuña al portacuchilla mediante los seis pernos extraídos previamente.
- Oprima el pestillo para soltar el portacuchilla. Suelte el pestillo cuando pueda girar manualmente el portacuchilla.
- Gire con la mano el portacuchilla hasta que lo detenga el pestillo automático.
- Extraiga la cuchilla como se indicó anteriormente.
- Coloque una cuchilla nueva, vuelva a situar la cuña y asegúrela como se indicó anteriormente.
- Vuelva a colocar protección de la cuchilla y asegúrelo mediante dos pernos.

INSPECCION Y REEMPLAZO DE LOS CEPILLOS

ADVERTENCIA: Abra el interruptor y desconecte la herramienta de la fuente de alimentación. La vida útil de los cepillos depende de la carga a que se someta el motor. Inspeccione los cepillos regularmente cada 100 horas de uso. Los cepillos están situados a cada lado del motor de la cepilladora.

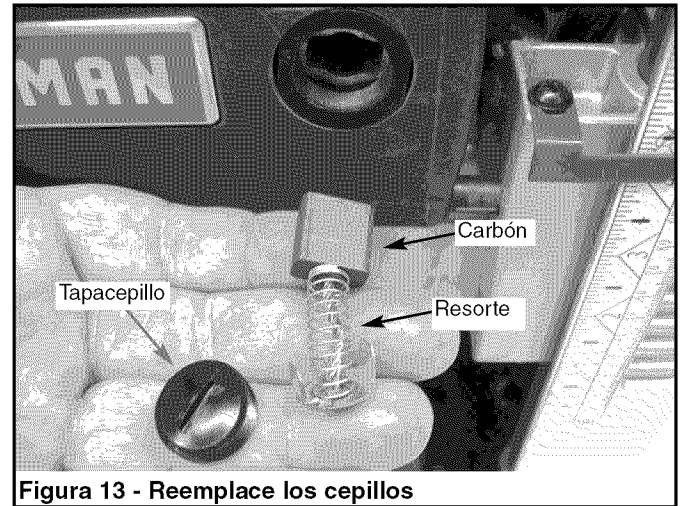


Figura 13 - Reemplace los cepillos

- Afloje el tapacepillo y retire suavemente el cepillo del motor.

AVISO: Los cepillos están situados en las partes delantera y trasera de la cepilladora.

- Reemplace los cepillos si el resorte está dañado.
- Reemplace los cepillos si el carbón está desgastado.
- Reemplace los cepillos y apriete los tapacepilllos.

AJUSTE DEL NIVEL DE LA MESA

Vea las Figuras 14 y 15, páginas 12 y 14.

La cepilladora producirá una profundidad de corte dispareja (corte ahusado) si la caja de rodillos (Fig. 15, Clave No. 26) no está paralela a la base (Fig. 14, Clave No. 20). Para restaurar el paralelismo de la caja de rodillos a la base:

- Valiéndose de una pieza de prueba, mida la altura del adaptador cónico.
- Apague la cepilladora y desconecte de la fuente de alimentación.
- Pliegue las tablas de extensión delantera y trasera.
- Apoye cuidadosamente la cepilladora sobre su lado de modo que el lado inferior de la base quede expuesto.
- Aplique un alicate de prensa de tornillo (no incluido) al lado izquierdo del eje (Fig. 14, Clave No. 31), al lado del engranaje (Fig. 14, Clave No. 35)
- Extraiga el anillo de retención (Fig. 14, Clave No. 34) y desengrane el engranaje derecho del engranaje del tornillo de elevación.
- Gire lentamente la manivela (Fig. 14, Clave No. 5) para elevar o bajar la caja de rodillos. La caja de rodillos se moverá 0.006" con cada vuelta de un diente del engranaje. Mueva la caja de rodillos la distancia necesaria para descentrar el adaptador cónico.
- Vuelva a engranar el engranaje derecho y el engranaje del tornillo de elevación, y a colocar el anillo para asegurarlos.
- Suelte y retire el alicate de prensa de tornillo.
- Coloque de nuevo la cepilladora sobre su base.
- Haga un corte de prueba para verificar el ajuste.

REEMPLAZO DE LA CORREA EN V

Vea las Figuras 14 y 15, páginas 12 y 14.

La tensión incorrecta de la correa en V (Fig. 15, Clave No. 46) hará que se deslice de la polea del motor (Fig. 14, Clave No. 49) o de la polea impulsora (Figura 15, Clave No. 47). Se deben reemplazar las correas que estén flojas. Para reemplazar la correa en V:

- Apague la cepilladora y desenchúfela de la fuente de alimentación.
- Afloje y extraiga los tornillos (Fig. 14, Clave No. 1) en la tapa derecha (Fig. 14, Clave No. 6). Retire el panel (Fig. 14, Clave No. 37).
- Afloje y extraiga los tornillos (Fig. 15, Clave No. 29) en la protección de la correa (Fig. 15, Clave No. 30). Retire la protección de la correa.
- Afloje el perno (Fig. 15, Clave No. 38) para aflojar el conjunto del motor.
- Retire la correa usada haciéndola pasar alternadamente por el motor y las poleas impulsoras. Empuje el motor hacia abajo y tire de la correa hacia fuera a la vez que gira las poleas simultáneamente.
- Coloque la correa nueva. Haga pasar la correa por las poleas de manera inversa a como cuando la extrajo.
- Asegúrese que la correa esté asentada completamente en las ranuras de tanto la polea del motor como de la impulsora.

- Apalanque el motor hacia arriba para aplicar tensión a la correa. Asegure en posición apretando el perno (Fig. 15, Clave No. 38).
- Vuelva a colocar la protección de la correa y los tornillos (Fig. 15, Claves No. 29 y 30).
- Vuelva a colocar y asegurar el panel derecho.

LUBRICACION

- Los rodamientos del portacuchilla y del motor vienen sellados y no necesitan lubricación.
- Los engranajes y los tornillos de elevación deben limpiarse, para eliminar los residuos, y engrasarse.

LIMPIEZA DE LA CEPILLADORA

- Mantenga la cepilladora sin astillas de madera, polvo, suciedad y residuos.
- Después de 10 horas de funcionamiento, se debe retirar de las cadenas y engranajes las astillas de madera, el polvo y la grasa vieja.
- Use grasa de rodamientos automotrices para lubricar todas las cadenas y engranajes. Asegúrese que todas las cadenas y engranajes tengan suficiente grasa.
- Limpie la mesa de granito con un paño suave, húmedo. No utilice ceras, aceites ni solventes en la mesa.

IDENTIFICACION DE PROBLEMAS

SINTOMA	CAUSA(S) POSIBLE(S)	MEDIDAS CORRECTIVAS
Redondeo (depressiones en los extremos de la tabla)	<ol style="list-style-type: none"> 1. Cuchillas desafiladas 2. Soporte inadecuado de las tablas largas 3. Fuerza dispareja en el portacuchilla 4. Caja de rodillos desnivelada respecto a la base 5. La madera no está topando correctamente 	<ol style="list-style-type: none"> 1. Invierta o reemplace las cuchillas según las instrucciones. Vea “Mantenimiento” 2. Soporte las tablas largas. Vea “Cómo evitar el rodamiento” 3. Suavemente empuje la tabla cuando esté en ontacto con sólo un rodillo alimentador. Vea “Cómo evitar el rodamiento” 4. Ajuste la caja de rodillos. Vea “Ajuste del nivel de la mesa” 5. Haga que los extremos de las piezas de material se topen entre sí a medida que las tablas pasan por la cepilladora
Veta fibrosa	Cepillado de madera con un alto contenido de humedad	Seque la madera para eliminar su alto contenido de humedad
Veta desgarrada	<ol style="list-style-type: none"> 1. Corte muy pesado 2. Las cuchillas están cortando en contra de la veta 3. Cuchillas desafiladas 	<ol style="list-style-type: none"> 1. Revise “Profundidad del corte” 2. Reviese “Alimentación de la pieza de trabajo” 3. Reemplace las cuchillas según las instrucciones. Vea “Mantenimiento”
Veta áspera, elevada	<ol style="list-style-type: none"> 1. Cuchillas desafiladas 2. Corte muy pesado 3. Contenido de humedad demasiado alto 	<ol style="list-style-type: none"> 1. Reemplace las cuchillas según las instrucciones. Vea “Mantenimiento” 2. Revise “Profundidad del corte” 3. Seque la madera o use madera seca
Profundidad de corte dispareja (de lado a lado)	Caja de rodillos desnivelada respecto a la base de la cepilladora	Caja de rodillos desnivelada. Vea “Ajuste del nivel de la mesa”
La elevación de la caja de rodillos se ajusta con dificultad	<ol style="list-style-type: none"> 1. Engranajes sucios 2. Tornillos de elevación sucios 3. Engranajes, tornillos de elevación desgastados 4. Fricción entre la caja de rodillos y las cubiertas 5. Caja de rodillos no paralela a la base de la cepilladora 	<ol style="list-style-type: none"> 1. Limpie y lubrique los engranajes 2. Limpie y lubrique los tornillos de elevación 3. Reemplace los engranajes y los tornillos de elevación 4. Limpie y lubrique 5. Ajuste la caja de rodillos. Vea “Ajuste del nivel de la mesa”
La tabla entra pero deja de moverse después del rodillo de salida	<ol style="list-style-type: none"> 1. El rodillo de salida no pueden girar debido a que están atascados con astillas 2. Demasiada presión en el portacuchilla debido a una pieza de trabajo larga 	<ol style="list-style-type: none"> 1. Despeje el atascamiento, del sistema de recolección de polvo. Vea “Limpieza de la Cepilladora” 2. Use los pedestales de apoyo para soportar una pieza de trabajo con más de 24” de longitud. Vea “Accesorios recomendados”
El espesor de la tabla no coincide con la escala de la profundidad del corte	Indicador no ajustado correctamente	Ajuste el indicador y apriételo firmemente
La cadena salta	<ol style="list-style-type: none"> 1. Rueda dentada desgastada 2. Cadena desgastada 	<ol style="list-style-type: none"> 1. Reemplace las ruedas dentadas 2. Reemplace la cadena

IDENTIFICACION DE PROBLEMAS (CONTINUACION)

SINTOMA	CAUSA(S) POSIBLE(S)	MEDIDAS CORRECTIVAS
La cepilladora no funciona	<ol style="list-style-type: none">1. Alimentación no conectada a la cepilladora2. Se disparó la protección contra sobrecarga del motor3. Interruptor o cableado defectuosos o sueltos	<ol style="list-style-type: none">1. Un electricista calificado debe revisar la fuente de alimentación2. Apague la cepilladora. Reajuste la protección contra la sobrecarga del motor. Vea "Reajuste de sobrecarga"3. Un electricista calificado debe revisar el interruptor y el cableado
Deslizamiento de la correa	Correa suelta	Reemplace la correa, vea "Reemplazo de la correa en V"

NOTAS

Get it fixed, at your home or ours!

Your Home

For expert troubleshooting and home solutions advice:

manage my home

www.managemyhome.com

For repair – **in your home** – of **all** major brand appliances, lawn and garden equipment, or heating and cooling systems, **no matter who made it, no matter who sold it!**

For the replacement parts, accessories and owner's manuals that you need to do-it-yourself.

For Sears professional installation of home appliances and items like garage door openers and water heaters.

1-800-4-MY-HOME[®] (1-800-469-4663)

Call anytime, day or night (U.S.A. and Canada)

www.sears.com www.sears.ca

Our Home

For repair of carry-in items like vacuums, lawn equipment, and electronics, call anytime for the location of your nearest

Sears Parts & Repair Service Center

1-800-488-1222 (U.S.A.) **1-800-469-4663** (Canada)

www.sears.com www.sears.ca

To purchase a protection agreement on a product serviced by Sears:

1-800-827-6655 (U.S.A.) **1-800-361-6665** (Canada)

Para pedir servicio de reparación a domicilio, y para ordenar piezas:

1-888-SU-HOGAR[®]

(1-888-784-6427)

Au Canada pour service en français:

1-800-LE-FOYER^{MC}

(1-800-533-6937)

www.sears.ca

Sears

© Registered Trademark / TM Trademark / SM Service Mark of Sears Brands, LLC

© Marca Registrada / TM Marca de Fábrica / SM Marca de Servicio de Sears Brands, LLC

^{MC} Marque de commerce / ^{MD} Marque déposée de Sears Brands, LLC

© Sears Brands, LLC