

Use and Care Guide



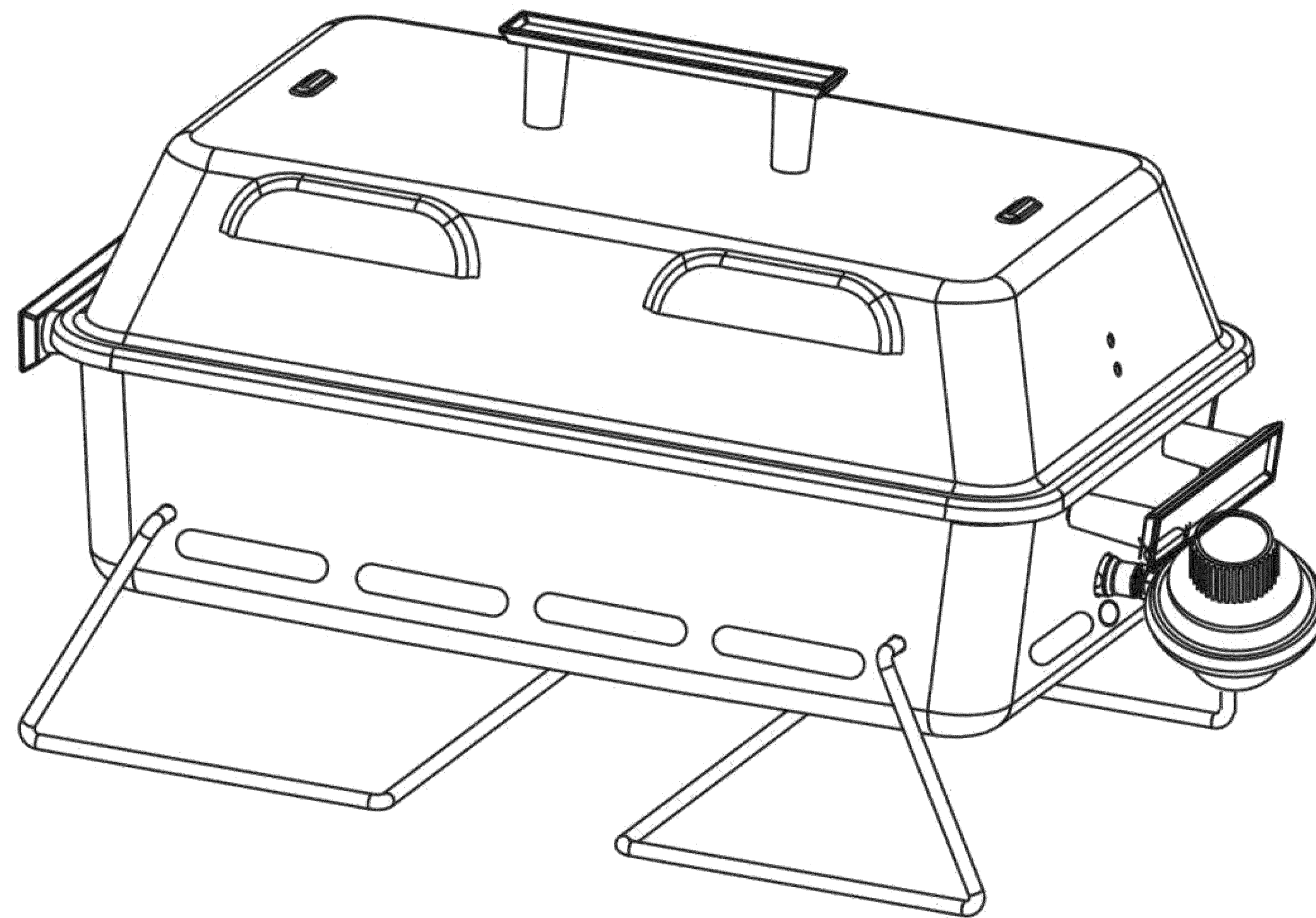
17" Table Top Gas Grill

Sears Item No. 16122

Kmart Item No. 84662111-8

This Grill is for Outdoor Use Only

SAVE THESE INSTRUCTIONS!



	WARNING	
<ul style="list-style-type: none">• Read and follow all Safety, Assembly, and Use and Care Instructions in this Guide before assembling and cooking with this grill.• Failure to follow all instructions in this Use and Care Guide may lead to fire or explosion, which could result in property damage, personal injury or death.		

- Safety
- Parts
- Use and Care
- Assembly

Assembly Questions?
Call 1-877-998-1697

Tools needed for assembly:
Screwdriver (not provided)

Sears, Roebuck and Co., Hoffman Estates, IL 60179 U.S.A.
See our extensive assortment of outdoor living products on-line at
www.sears.com and www.kmart.com

TABLE OF CONTENTS

Safety Guidelines.....	1
Safety Instructions.....	2-3
Assembly Instruction	4-6
Lighting Instructions.....	7
Care and Maintenance.....	8

Read this Care and Use Manual carefully and completely before using your grill to reduce the risk of fire, burn hazard or other injury.

DANGER

If you smell gas:

1. Shut off gas to the appliance.
2. Extinguish any open flame.
3. Open lid.
4. If odor continues, keep away from the appliance and immediately call your gas supplier or your fire department.

Failure to follow these instructions could result in fire or explosion which could cause property damage, personal injury or death.

WARNING

For Your Safety

1. Do not store or use gasoline or other flammable vapors and liquids in the vicinity of this or any other appliance.
2. An LP cylinder not connected for use shall not be stored in the vicinity of this or any other appliance.

DANGER

1. Never operate this appliance unattended.
2. Do not store spare LP cylinder within 10 feet (3.05m) of this appliance.
3. Do not store or use gasoline or other flammable liquids or vapors within 25 feet (7.62m) of this appliance.

Failure to follow these instructions could result in fire or explosion which could cause property damage, personal injury or death.

WARNING! Combustion by-products produced when using this product contain chemicals known to the State of California to cause cancer, birth defects, and other reproductive harm.

This unit is not intended for commercial use.

SAFETY GUIDELINES

1. This Gas Grill is intended for OUTDOOR USE ONLY. Do not attempt to use this grill in enclosed areas.
2. Place your Gas Grill outside on a firm, level surface away from wooden fences, Overhanging trees, or other flammable objects before igniting the gas burner.
3. When installing the gas regulator, completely tighten the regulator to the burner system. The unit is installed properly when the threads of the brass fitting on the regulator are tight against the burner and no threads are visible.
4. DO NOT USE OR STORE ANY FLAMMABLE LIQUID OR GAS IN THE VICINITY WHILE USING YOUR GAS GRILL.
5. DO NOT USE GASOLINE OR CHARCOAL IN GRILL. Use only commercially approved Propane gas canisters. Attach, use and store the propane gas canister according to the product's instructions.
6. After lighting the Gas Grill, do not leave the grill unattended.
7. Remember to keep children and pets away from a lit grill at all times.
8. To avoid harm to people, pets or property do not move the grill once the gas burner has been lit.
9. After gas burner is lit, the grill and surrounding surfaces become very hot. Use proper outdoor cooking mitts, utensils and avoid skin contact with all hot metal surfaces on the grill.
10. To extinguish burner after cooking, push down on the dial and turn dial past the off position until the dial pops out. UNTIL THE DIAL ON THE GAS REGULATOR POPS OUT, THE GAS IS STILL ON. MAKE SURE YOU TURN THE GAS OFF COMPLETELY AND REMOVE THE GAS CANISTER BEFORE TRANSPORTING OR STORING THE UNIT.
11. After your Gas Grill has cooled, disconnect gas canister, cover, and store the unit in a safe place away from children while not in use.

Safety Instructions

READ THE FOLLOWING INSTRUCTIONS CAREFULLY AND BE SURE YOUR GRILL IS PROPERLY INSTALLED, ASSEMBLED AND MAINTAINED. FAILURE TO FOLLOW THESE INSTRUCTIONS MAY RESULT IN SERIOUS BODILY INJURY AND/OR PROPERTY DAMAGE.

NOTE TO INSTALLER:

LEAVE THESE INSTRUCTIONS WITH THE CONSUMER AFTER INSTALLATION.

NOTE TO THE CONSUMER:

RETAIN THESE INSTRUCTIONS FOR FUTURE REFERENCE.

THIS OUTDOOR COOKING GAS APPLIANCE IS NOT INTENDED TO BE INSTALLED IN OR ON RECREATIONAL VEHICLES AND/OR BOATS.

- a) The use of alcohol, prescription or non-prescription drugs may impair the consumer's ability to properly assemble or safely operate the appliance.
- b) When cooking, the appliance must be on a level, stable surface in an area clear of combustible material. An asphalt surface (blacktop) may not be acceptable for this purpose.
- c) Do not leave the appliance unattended. Keep children and pets away from the appliance at all times.
- d) Do not move the appliance when in use. Allow the cooking vessel to cool before moving or storing.
- e) This appliance is not intended for and should never be used as a heater.

Do not store a spare LP-gas cylinder under or near this appliance.

Read carefully before assembling and operating your gas grill.

INSTALLATION

The installation must conform with local codes or, in the absence of local codes, with the National Fuel Gas Code, ANSI Z223.1/NFPA 54, Storage and Handling of Liquefied Petroleum Gases, ANSI/NFPA 58 or CSA B149.1, Natural Gas and Propane Installation Code.

THE LOCATION FOR YOUR GRILL

Do not use your gas grill in garages, porches, breezeways, sheds or other enclosed areas. Your gas grill is to be used outdoors only, at least 21 inches from the back and side to any combustible surface. The grill should not be placed under overhead unprotected combustible construction. Do not obstruct the flow of combustion and ventilation air around the grill housing.

This outdoor cooking gas appliance is not intended to be installed in or on recreational vehicles and/or boats.

The Fuel System

Gas grills are used safely by millions of people when following simple safety precautions.

The items in the fuel system are designed for operation with the BBQ PRO grill. They must not be replaced with any other brand. (See parts list for replacement items.)

Check burner air inlet openings for insect nests or blockages.

Safety Instructions

The regulator must be tightly connected to the propane cylinder.

Grill Regulator Operation

OFF . This stops the flow of gas to the burner.

PUSH TO TURN ON . You must push “IN” on the knob to release the knob from the locked “OFF” position.

HIGH . This position provides the highest gas flow and hottest cooking temperatures.

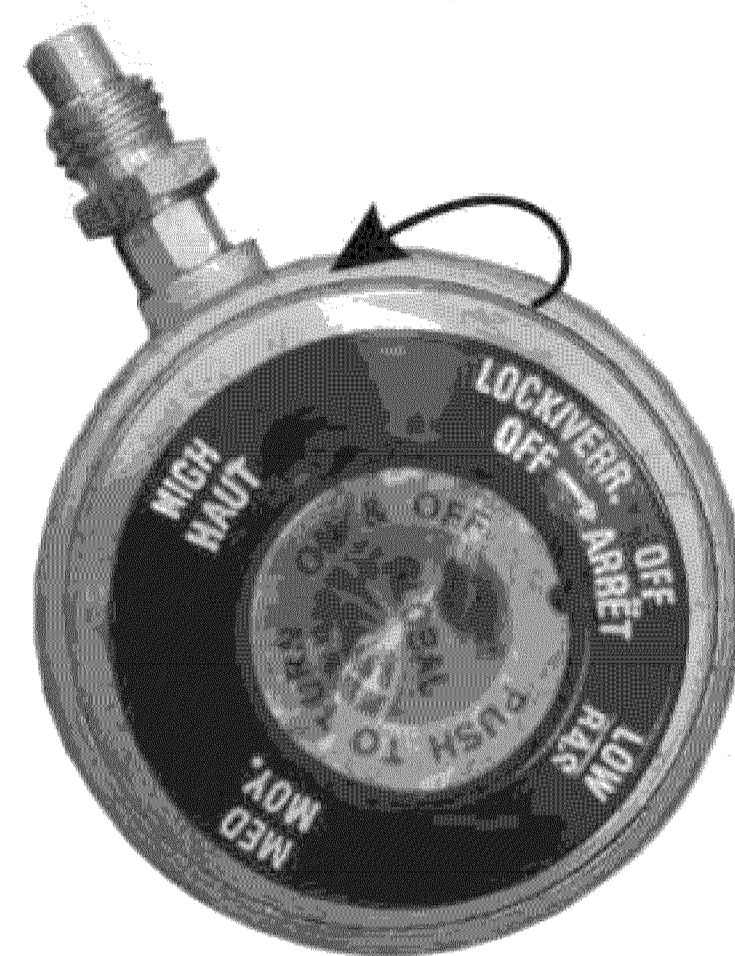
MED . This position provides cooking temperatures between HIGH and LOW.

LOW . This position provides the lowest cooking temperatures.

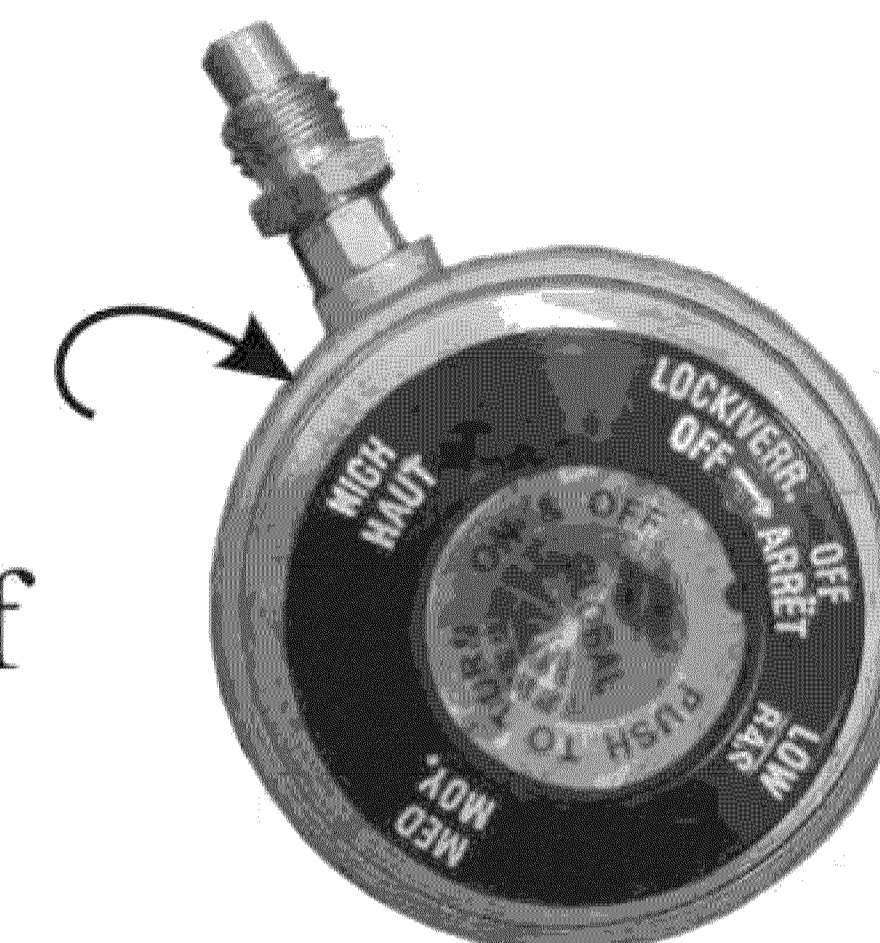
ONLY A FACTORY SUPPLIED GAS VALVE/REGULATOR SHOULD BE USED.

See parts list for replacement items.

Turn on



Turn off



LP GAS REGULATOR CAUTION

The gas pressure regulator provided with this appliance must be used. This regulator is equipped with the required orifice and is set for the required outlet pressure for this appliance. This combination of orifice size and pressure regulation specifications provides the cooking performance intended by BBQ PRO Table Top Grill. Replacement pressure regulator must be that specified in this manual.

LP GAS REGULATOR

★ The gas pressure regulator is shipped loose and must be installed prior to operation your grill.

PROPANE FUEL: WARNING -propane is a flammable gas. Improper handling may result in an explosion and/or fire and serious accident or injury. Your grill is designed to operate with propane (LP) gas only and is equipped with the proper orifice for propane gas.

CAUTION: Only cylinders marked “propane” are to be used with this grill. Propane gas is heavier than air and settles in lower areas. Make certain adequate ventilation is available when using your grill. The gas cylinder may be stored outside in a wall-ventilated area out of the reach of children when the grill is not in use.

LP GAS CYLINDER: This grill is designed and intended to be used with a disposable propane cylinder with a nominal fuel weight of 1 lb. Such a cylinder is approximately 4” in diameter and 7” long. The BBQ PRO Table Top Grill does not include an LP gas cylinder. This must be purchased separately and be supplied at most hardware stores. The cylinder used must be constructed and marked in accordance with the specifications for LP cylinders of the U.S. Department of Transportation (DOT) or the National standard of Canada of dangerous goods. CAN/CSA - B339, Cylinders, Spheres and tubes for Transportation.

The LP gas cylinder shall be used only outdoors in a well-ventilated space and not in a building, garage, or any other enclosed area. The BBQ PRO Table Top Grill may be stored indoors if the LP gas cylinder is removed and stored outdoors. The LP gas cylinder (not included) is threaded for connection directly to the gas regulator supplied with this appliance.

The LP gas cylinder is provided with a threaded connection for access directly to the gas regulator supplied with this appliance. Care should be taken when threading the cylinder to the regulator to engage threads correctly to achieve the proper and intended connection. When disconnecting or connecting the gas cylinder, be careful that the regulator does not strike the grill, the ground, or any other surfaces. Replace the protective cap over the threaded cylinder connection when removed from grill. If any difficulty at all occurs when connecting or disconnecting the cylinder to the regulator assembly, contact your local gas supplier for assistance.

When reconnecting the LP gas cylinder to the regulator, be sure to hand-tighten until snug. This connection should be inspected for damage and leak tested after re-connection.

The threaded cylinder connection should be kept clean and free of dust, dirt, sand or any foreign materials. Clean both regulator and LP cylinder threaded areas prior to connecting cylinder with regulator.

Keep any electrical supply cord or fuel supply hose away from any heated surfaces.

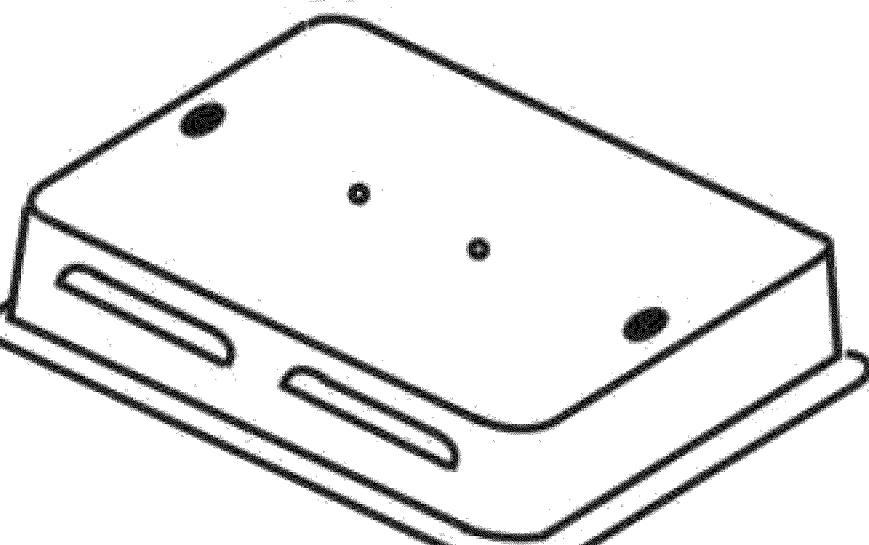
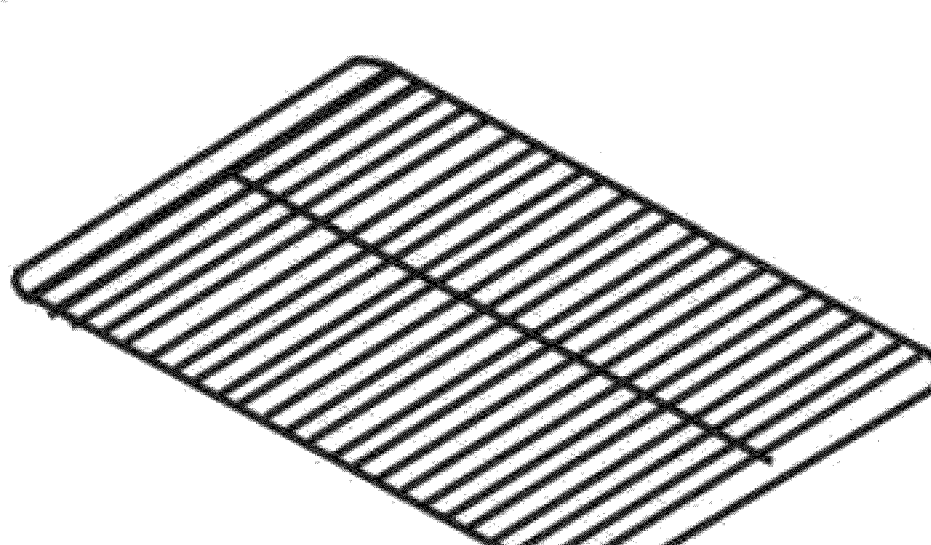
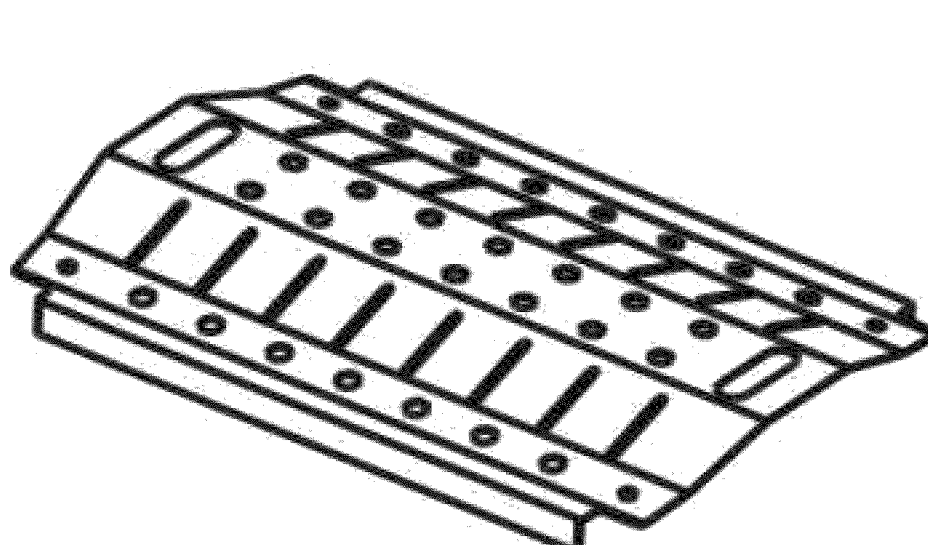
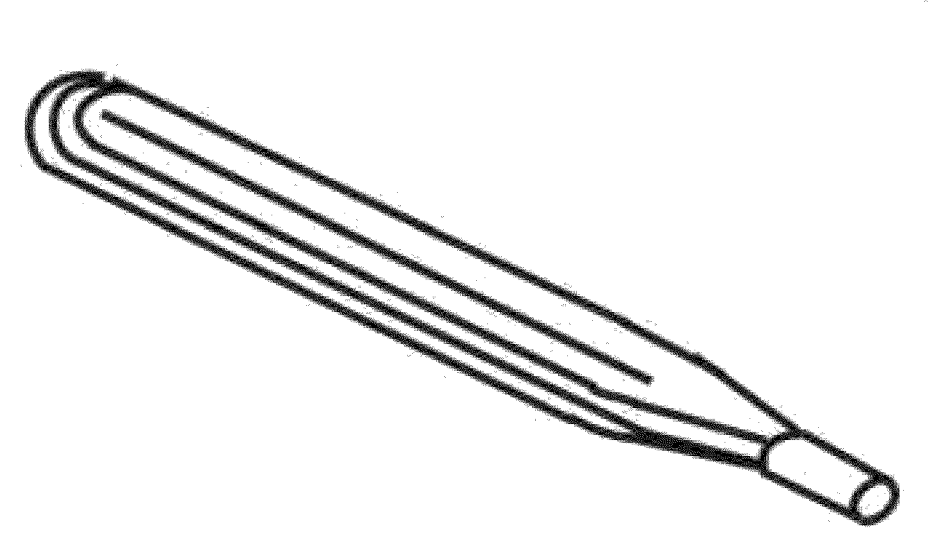
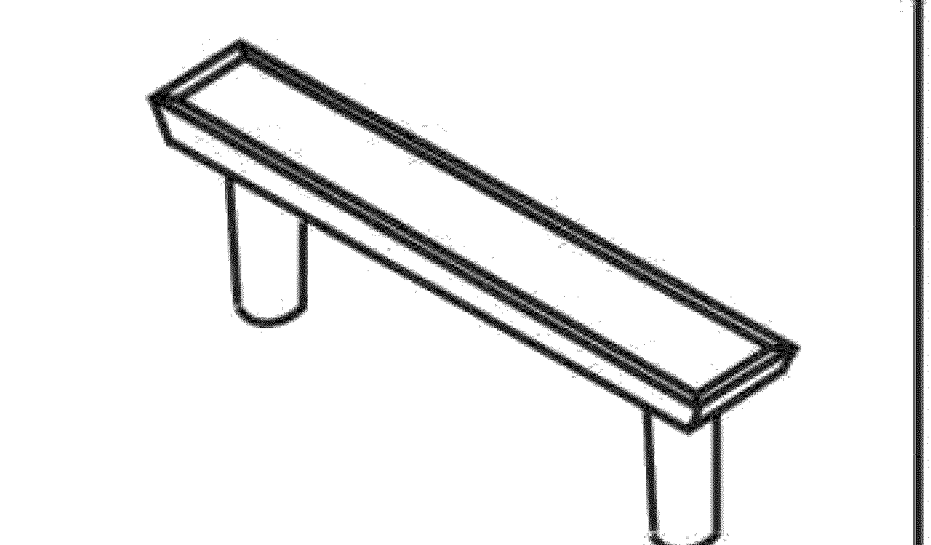
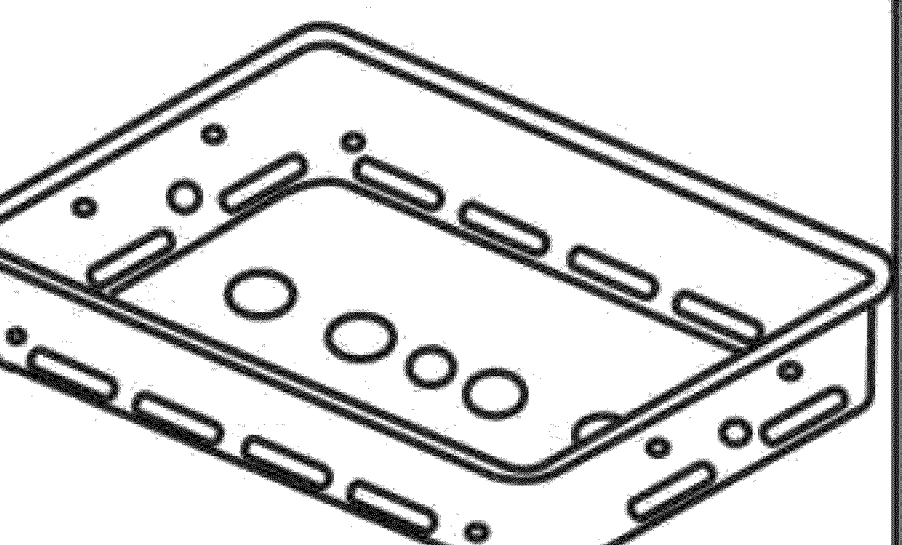
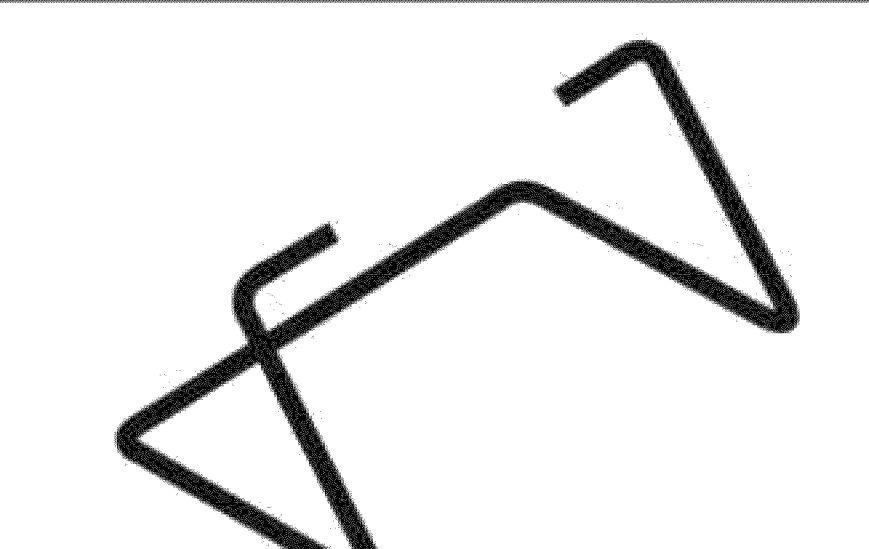
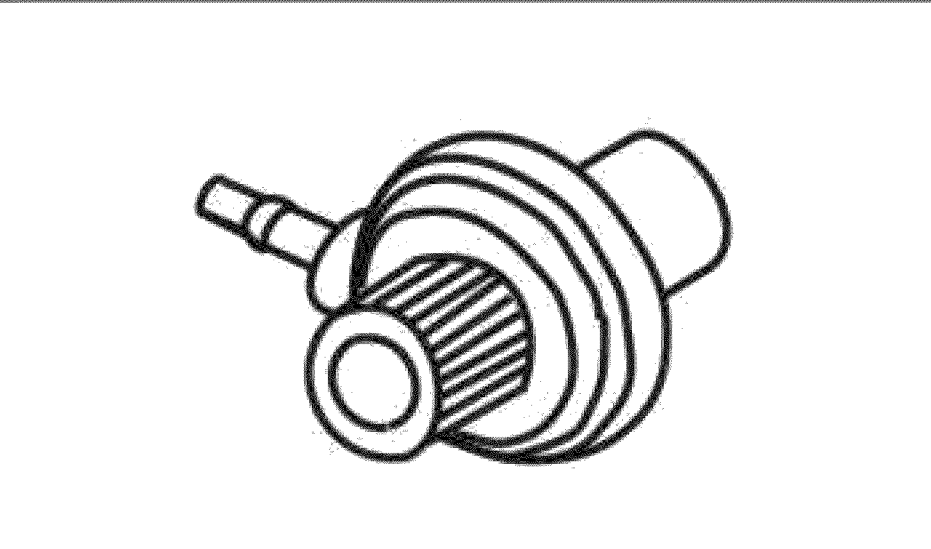
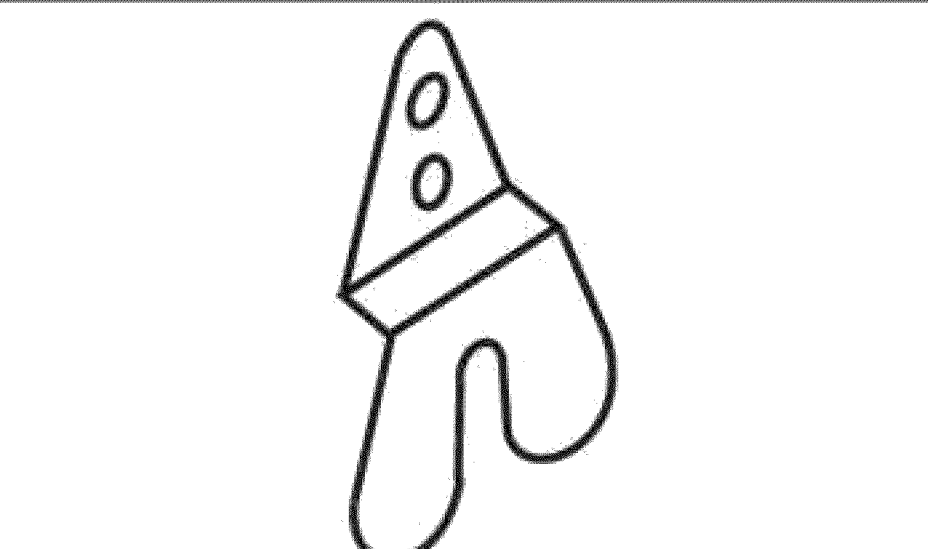
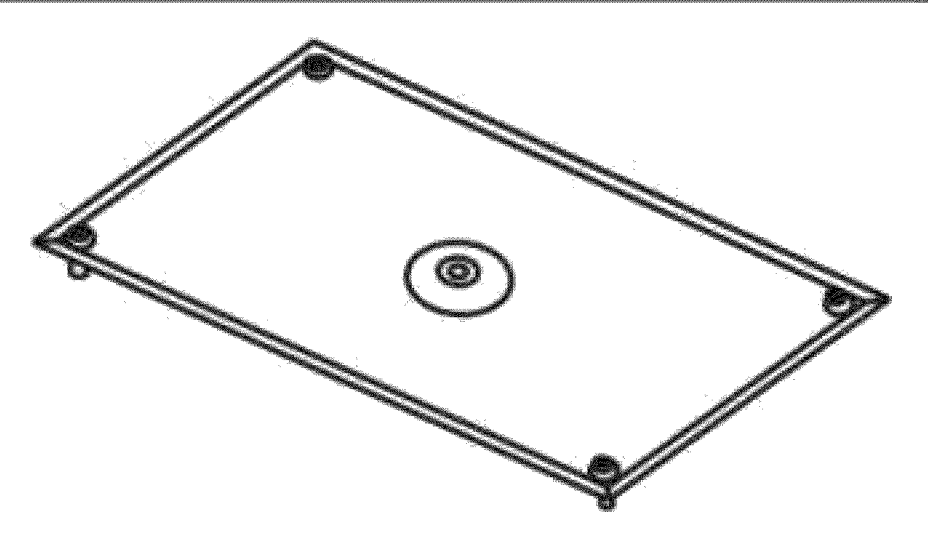
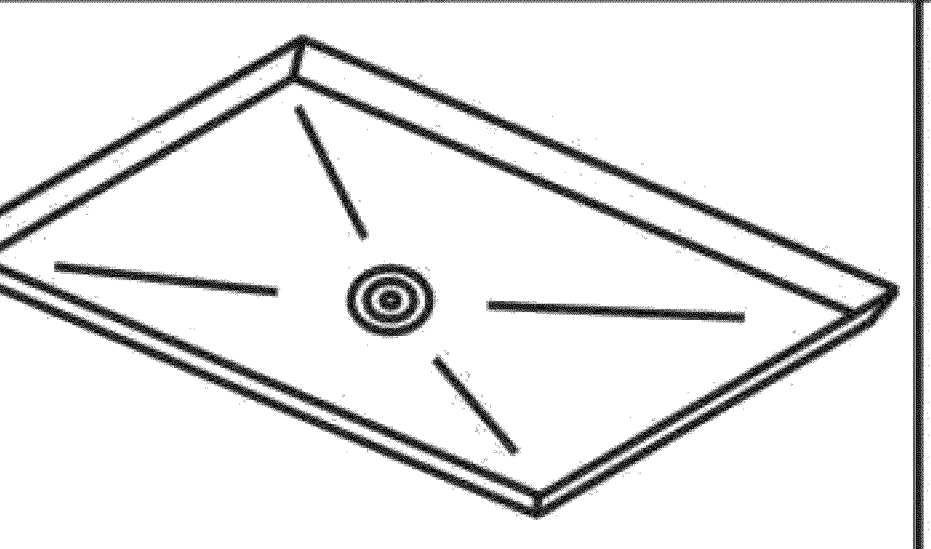
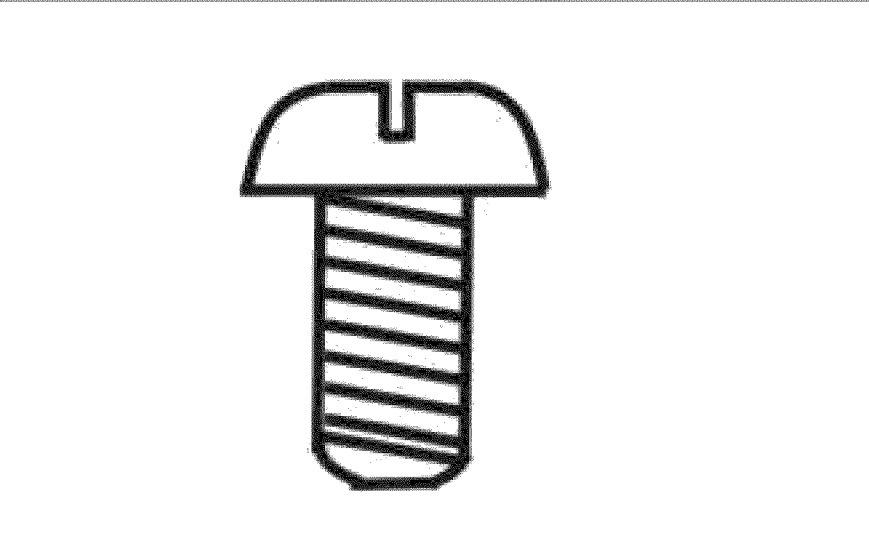
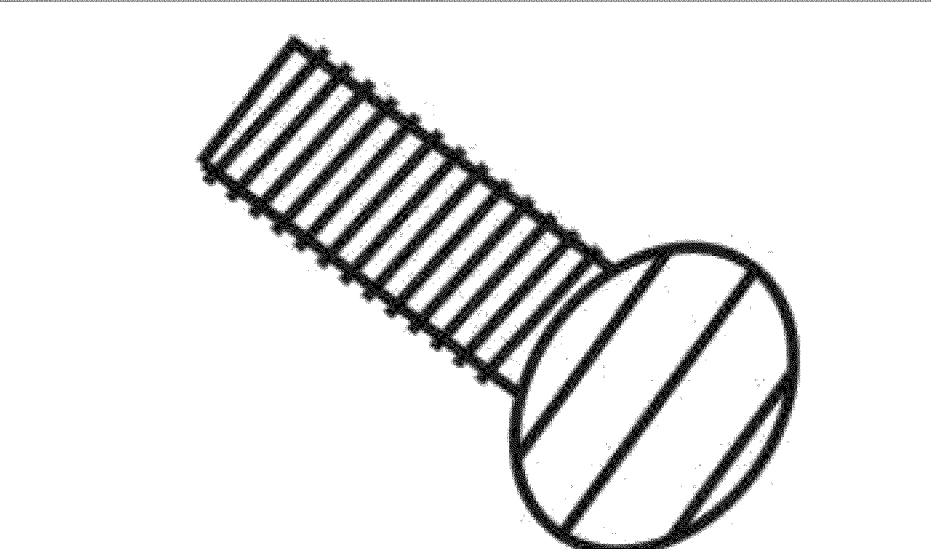
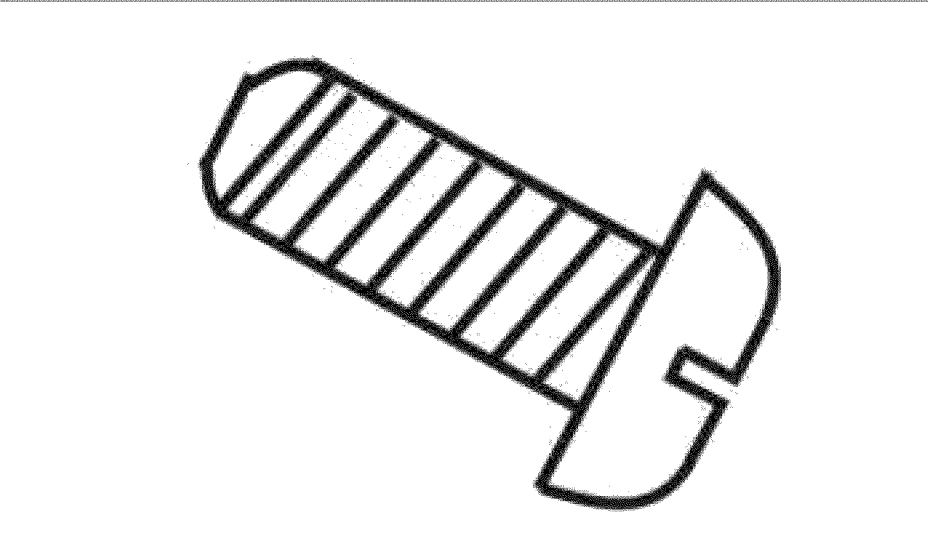
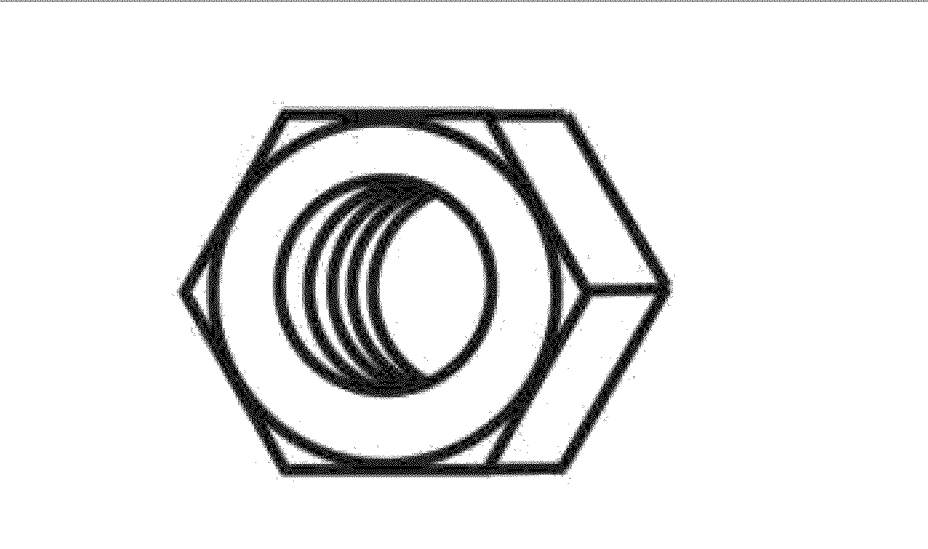
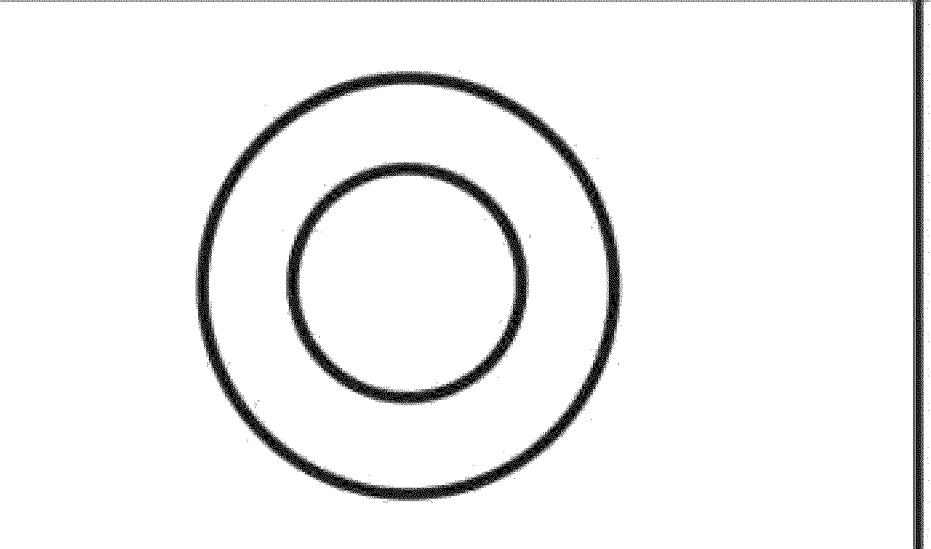
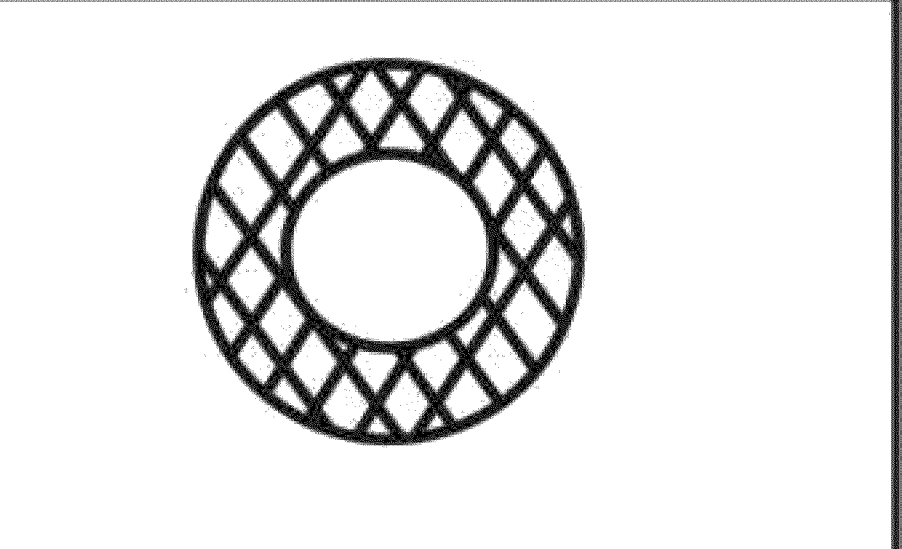
Assembly Instruction

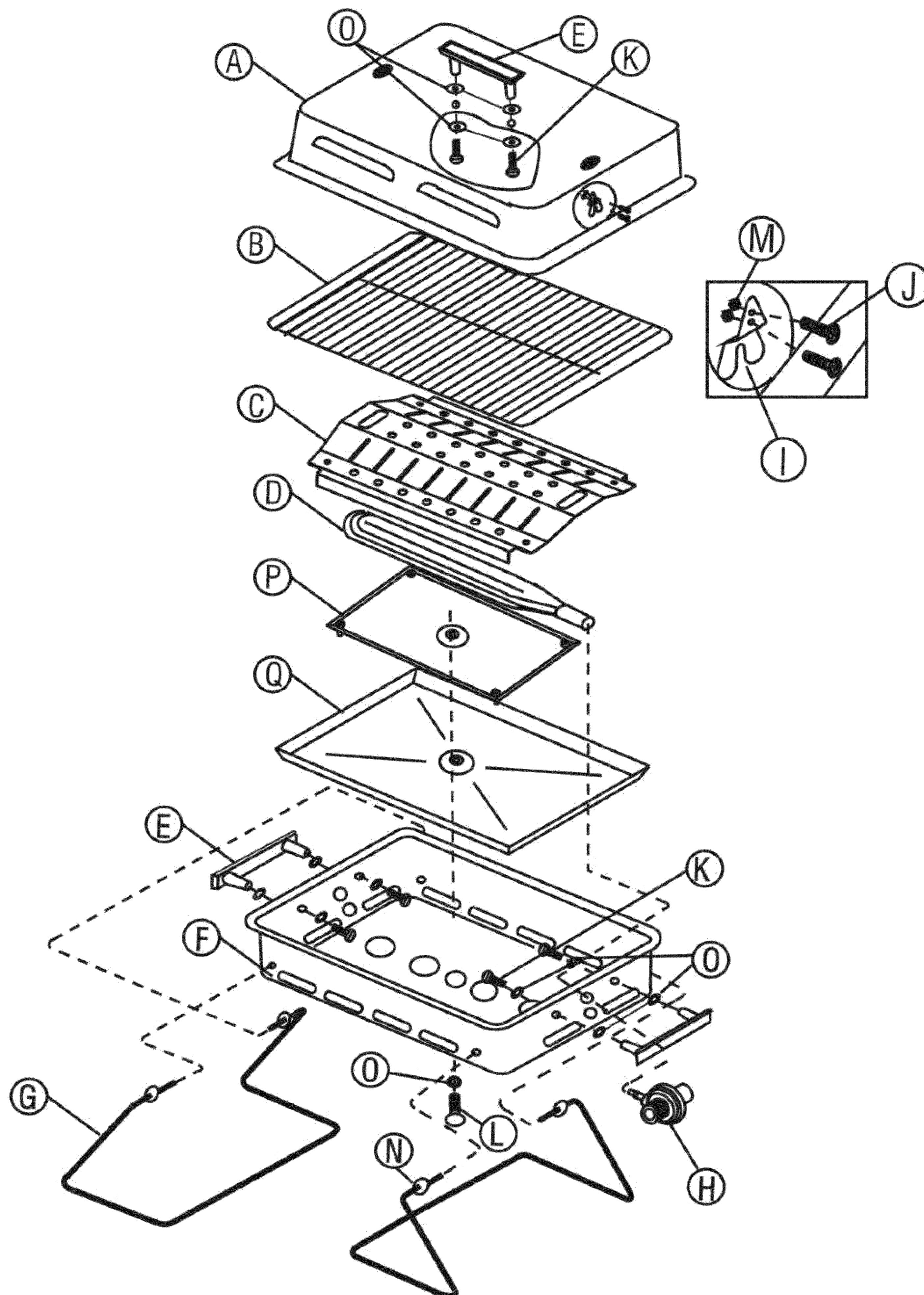
17" Portable Gas Grill

Verify that all parts are included with your Grill BEFORE beginning assembly by checking the Parts List. For your convenience, some parts may be pre-assembled or attached to grill components. If all parts are not included, do not attempt to assemble grill. Return grill to Kmart with receipt for replacement unit. If any parts are missing, call 1-877-998-1697 for assistance.

USE DIAGRAM PROVIDED FOR ASSEMBLY. Leave nuts half-tightened on the grill during assembly until unit is completely assembled, then finish tightening nuts.

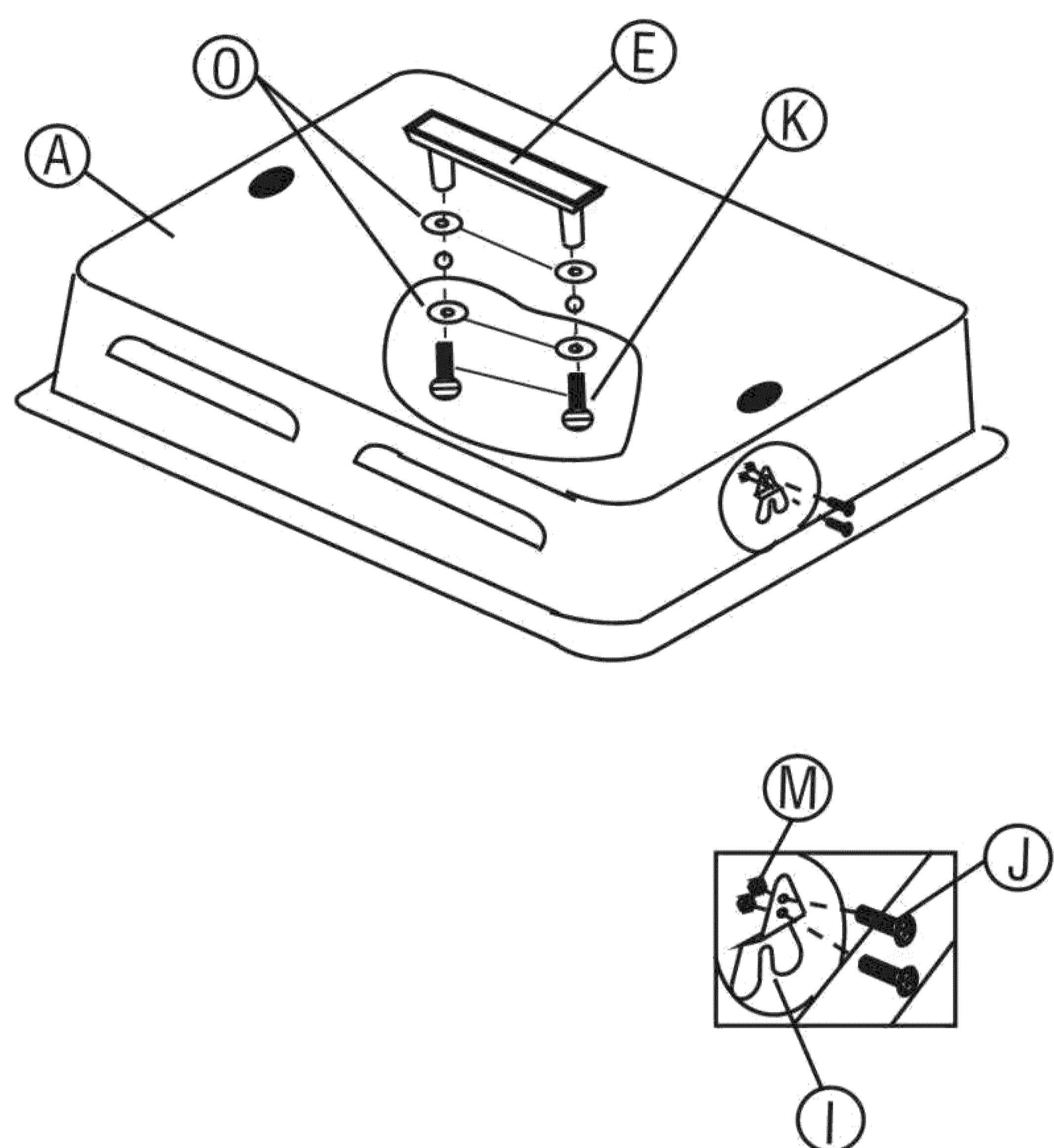
Parts List

A.  Lid (1)	B.  Cooking grill (1)	C.  Heating Plate (1)	D.  Burner (1)	E.  Bakelite handle (3)	F.  Bottom bowl (1)
G.  Steel wire leg (2)	H.  Gas regulator (1)	I.  Lid bracket (2)	P.  Heat shield1 (1)	Q.  Heat shield2 (1)	
J.  Bolt 3/16" (4)	K.  Handle Bolt 1/4" (6)	L.  Bolt 1/4" (1)	M.  Hex nut 3/16" (4)	N.  Metal washer 1/4" (4)	O.  Fiber washer 1/4" (13)



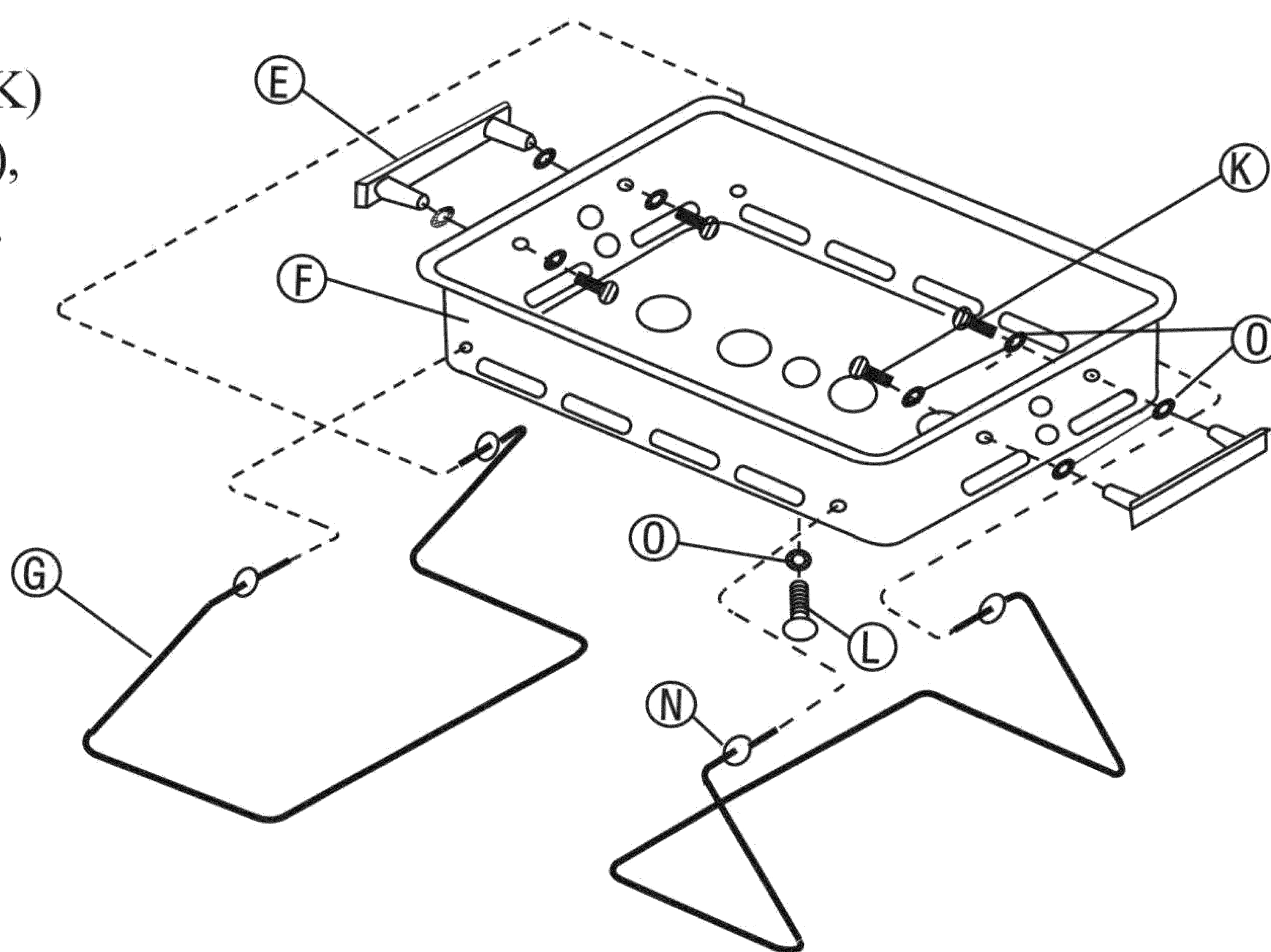
STEP 1. Attach lid brackets (I) to lid (A) with 4 bolts (J) and 4 hex nuts (M).

Attach handle (E) by inserting 2 bolts (K) through 2 fiber washers (O), lid (A), 2 fiber washers (O) and into handle (E).



STEP 2. Place 1 metal washer (N) over each end of steel wire leg (G). Insert the ends of each steel wire leg stand into the holes provided in the bottom bowl (F).

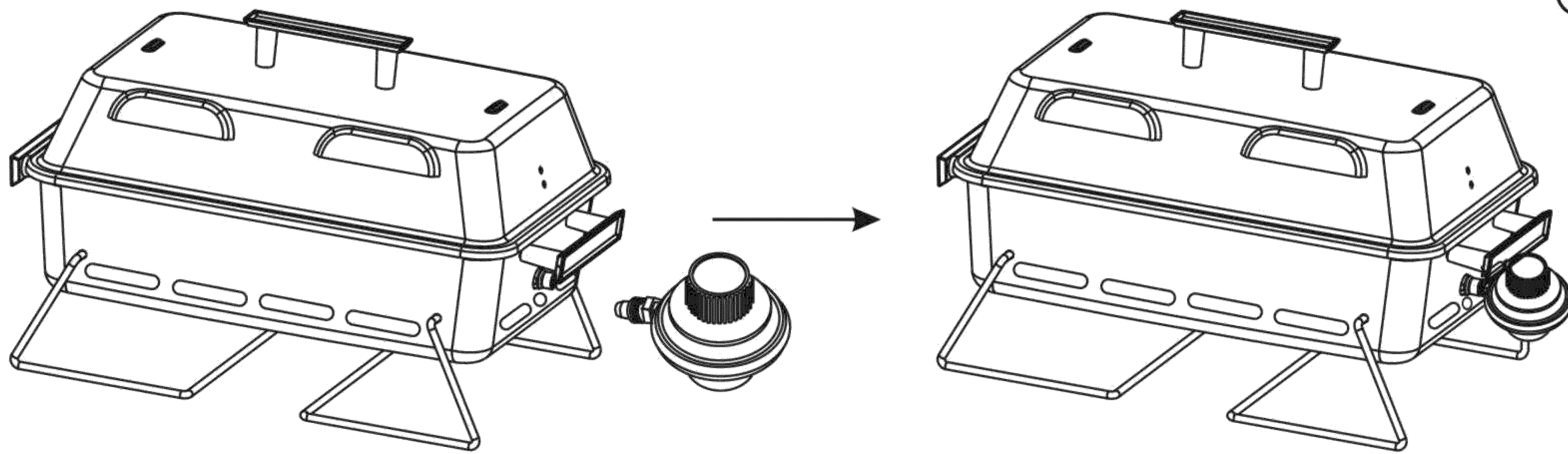
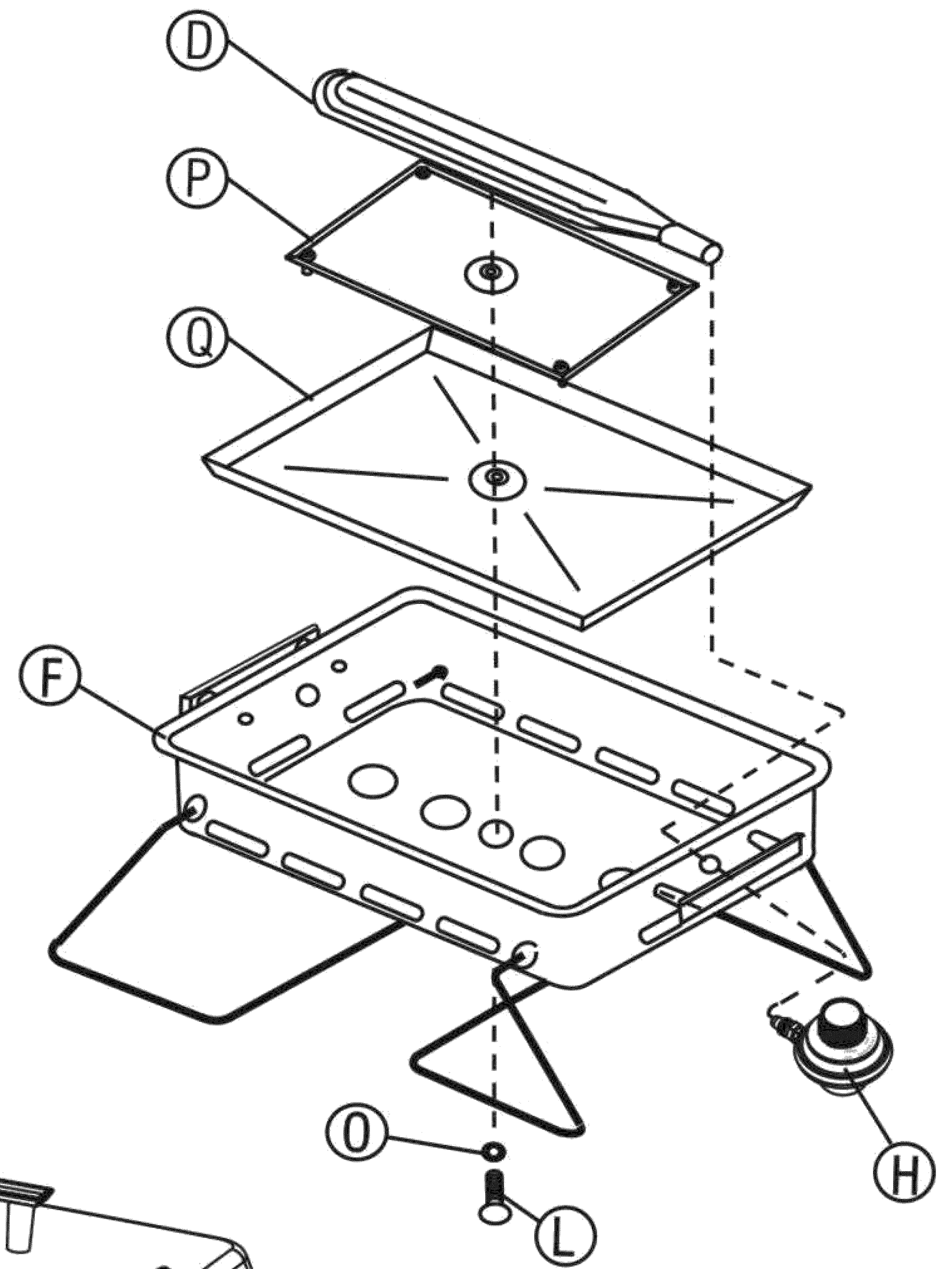
Attach handle (E) by inserting 2 bolts (K) through 2 fiber washers (O), bottom (B), 2 fiber washers (O) and into handle (E). Repeat procedure for other handle (E).



STEP 3. Place heat shield 2 (Q) and heat shield 1 (P) into bottom bowl (F).

Insert burner (D) into the side hole of the bottom bowl (F), then screw 1 bolt (L) through 1 fiber washer (O), bottom bowl (F), heat shield 2 (Q), heat shield 1 (P) and into the burner (D).

Connect valve of regulator (H) into burner (D). See below.

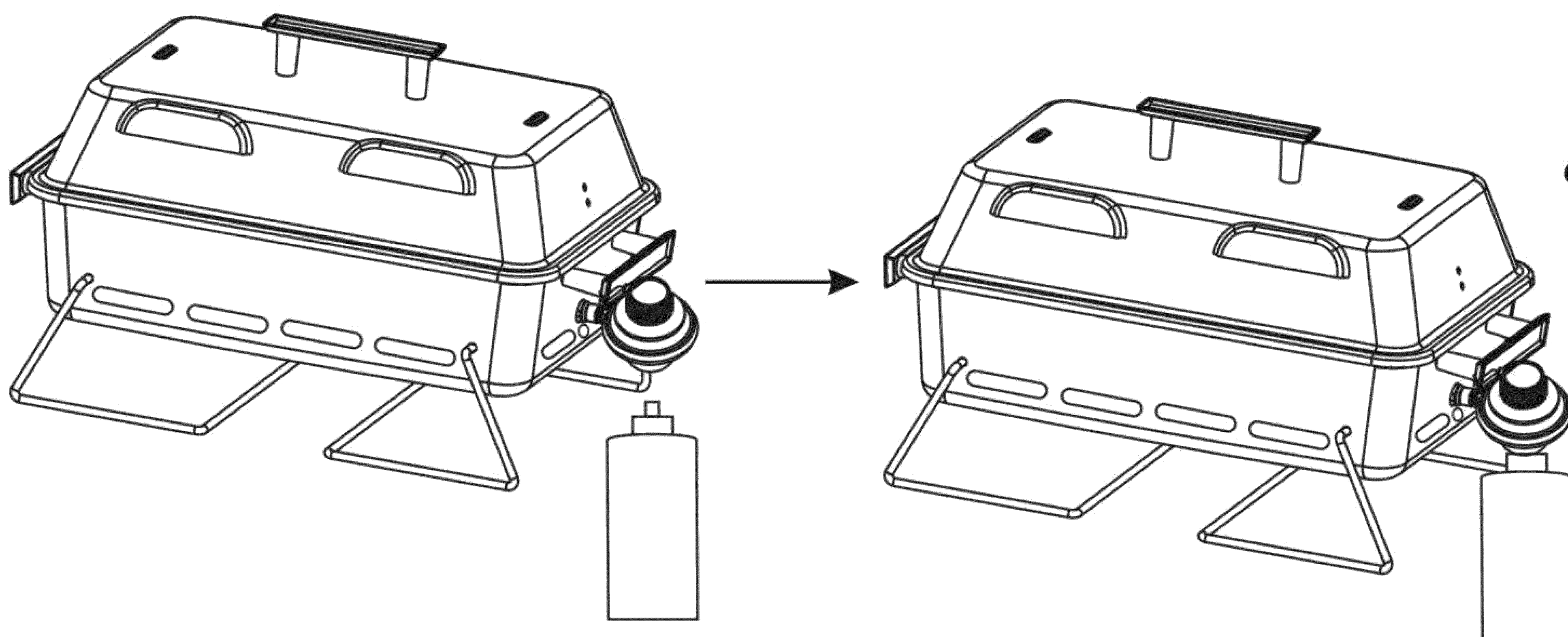
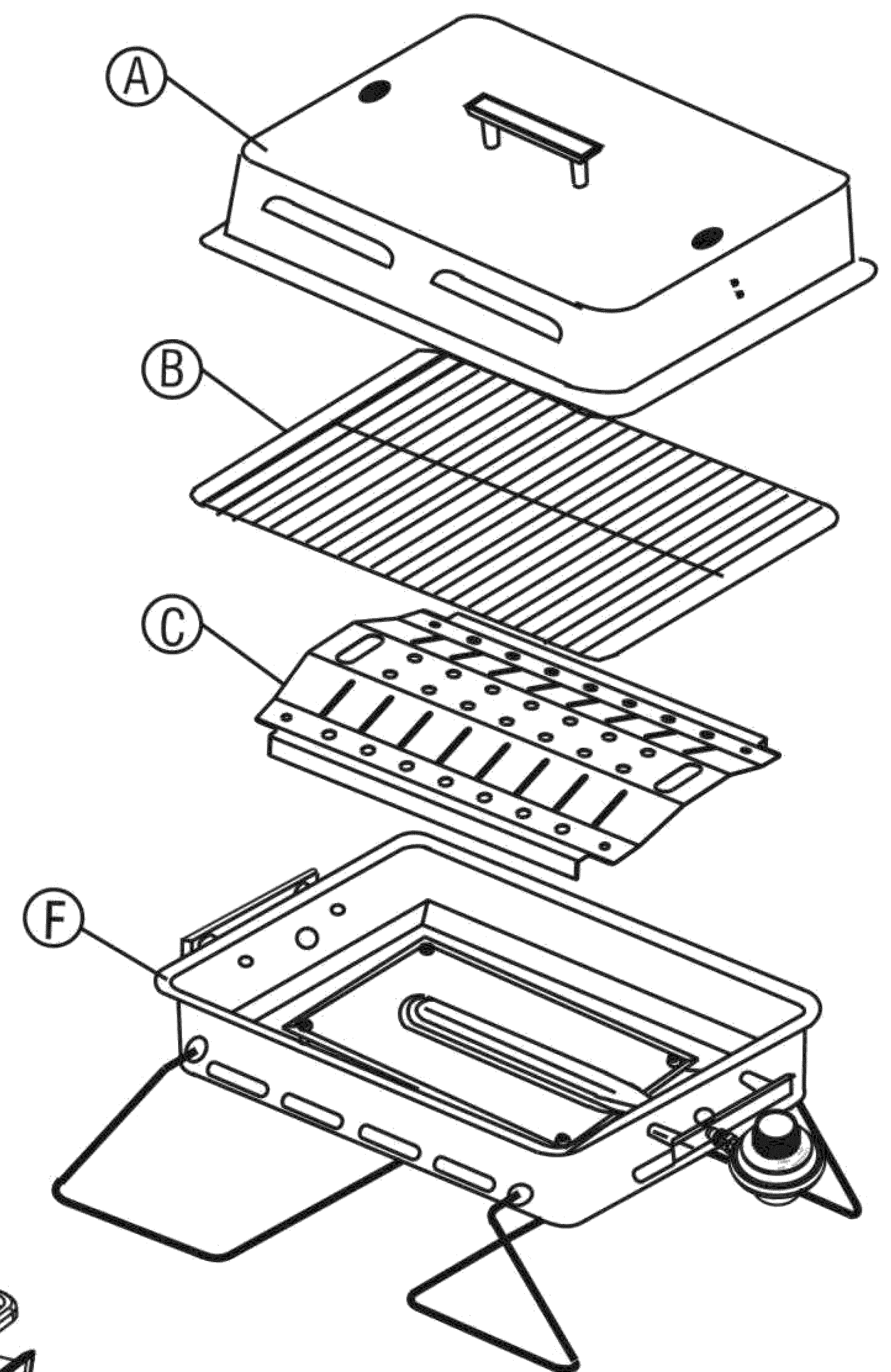


STEP 4. Place heating plate (C) into bottom bowl (F).

Place cooking grid (B) into bottom bowl (B).

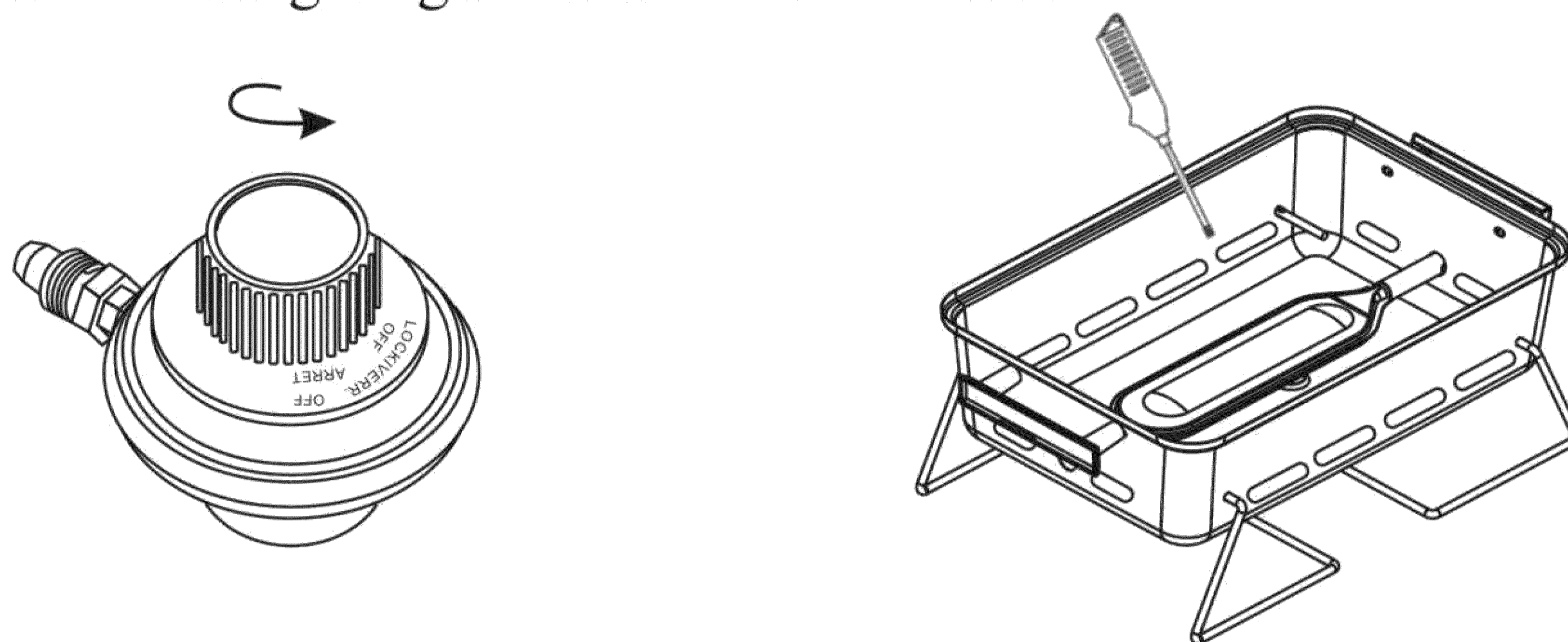
Place lid (A) on top of bottom lid (B).

Connect regulator (H) to propane cylinder. See below.



Lighting Instructions

1. Make sure all hardware is tightened completely before attaching propane gas canister onto Gas Regulator. When assembled properly, all connections will be securely fastened.
2. Attach the propane gas cylinder onto the gas regulator as described in the Safety Instructions section of this Use and Care Guide.
3. Open lid. Always open lid when lighting.
4. For safety, use a commercial accessory butane lighter, such as a 12" (minimum) trigger style Butane lighter, to light your grill. **DO NOT USE CIGARETTES, CIGARS, ROLLED UP PAPER, OR ANY OTHER HIGHLY FLAMMABLE OBJECTS TO LIGHT YOUR GAS GRILL.**
5. To light your Gas Grill burner, push down on the gas regulator dial and turn counterclockwise gradually while touching a lighter flame to the burner.



CAUTION: IF IGNITION DOES NOT OCCUR IN 3-5 SECONDS, TURN BURNER OFF. WAIT 5 MINUTES FOR GAS TO CLEAR AWAY AND REPEAT THE LIGHTING PROCEDURE. IF THE BURNER SHOULD GO OUT FOR ANY REASON, TURN CONTROL KNOB TO "OFF" POSITION. WAIT 5 MINUTES BEFORE ATTEMPTING TO RE-LIGHT.

If the grill fails to light after the second attempt, Call 1-877-998-1697 for assistance.

6. With the burner lit, gently close lid and allow grill to warm up for 20-30 minutes prior to use.
7. Adjust dial on gas regulator to Low, Med or High for your cooking needs.

Care & Maintenance

This unit should be kept in an area clear and free from combustible materials, gasoline and other flammable vapors and liquids.

Check to be sure all openings into grill body are free of blockages or debris. Make sure there are no objects or materials blocking the flow of combustion or ventilation.

When grill is not use, turn regulator knob to “OFF”, remove propane cylinder from regulator. The propane cylinder must be disconnected when the appliance is not in use.

For outdoor use only, if stored indoors, detach cylinder and leave it outdoors. Cylinders must be stored out of reach of children.

Important

First-time use: It is important that the grill be lit and allowed to operate at least 30 minutes before any food is placed on the grill grid. Some smoke may appear during the initial operation of the grill. This is normal. These are the preservatives used during manufacturing. After initial heating, grill is ready for use. After burning off the grill, spray the cooking grid, and inside of the lid with water, so that food does not stick to the grid and the inside is easier to clean.

THIS COOKING APPLIANCE IS FOR OUTDOOR USE ONLY AND SHALL NOT BE USED IN A BUILDING, GARAGE OR ANY OTHER ENCLOSED AREA.

MOVING INSTRUCTIONS

CAUTION: Never move the grill with burner lit.

Transporting grill: Make sure gas control is off. Disconnect propane cylinder from regulator. Remove regulator from grill. Be sure grill has completely cooled for at least 30 minutes. Close lid and secure latch.

Setting up for use: Find a flat surface. Grill must be on a level surface to operate properly.

WARNING: To ensure that it is safe to eat, food must be cooked to the minimum internal temperatures listed in the table below.

USDA* Safe Minimum Internal Temperatures	
Fish	145° F
Pork	160° F
Egg Dishes	160° F
Steaks and Roasts of Beef, Veal or Lamb	145° F
Ground Beef, Veal or Lamb	160° F
Whole Poultry (Turkey, Chicken, Duck, etc.)	165° F
Ground or Pieces Poultry (Chicken Breast, etc.)	165° F

*United States Department of Agriculture

90 Day Full Warranty

If this BBQ-Pro product fails due to a defect in material or workmanship within 90 days from the date of purchase, return it to any Sears or Kmart store or other BBQ-Pro outlet in the United States with your proof of purchase for free replacement.

This warranty gives you specific legal rights, and you may also have other rights which vary from state to state.

Sears, Roebuck and Co., Hoffman Estates, IL 60179

For further information, contact the manufacturer, toll free at 1-877-998-1697.