



FREESTANDING OUTDOOR GRILLS

Installation Instructions and Use & Care Guide

For questions about features, operation/performance, parts, accessories or service, call: **1-800-422-1230**
or visit our website at **www.kitchenaid.com**

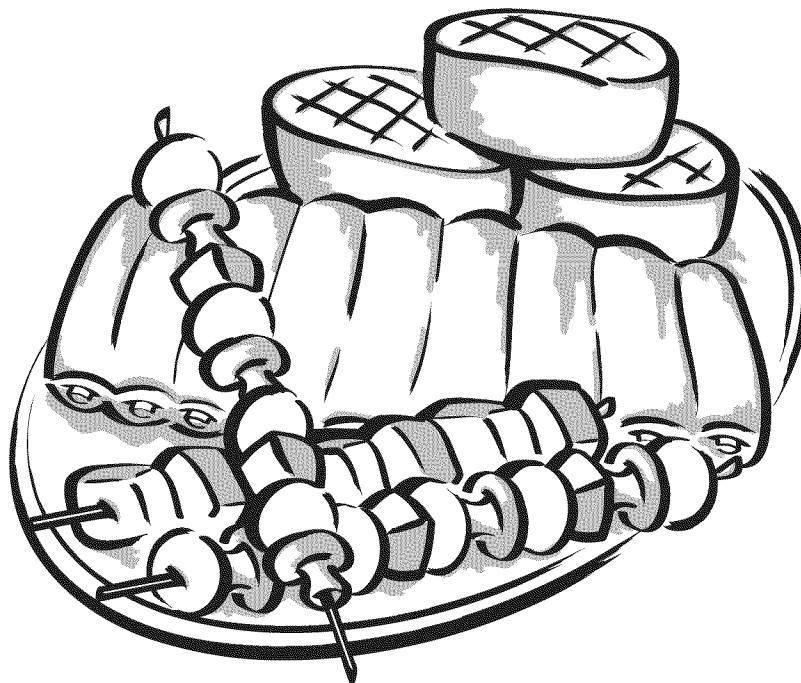
In Canada, for assistance, installation and service, call: **1-800-807-6777**
or visit our website at **www.KitchenAid.ca**

GRILS D'EXTÉRIEUR AUTOPORTANTS

Instructions d'installation et Guide d'utilisation et d'entretien

Au Canada, pour assistance, installation ou service composez le **1-800-807-6777**
ou visitez notre site Web à **www.KitchenAid.ca**

Table of Contents/Table des matières..... 4



IMPORTANT:

Save for local electrical inspector's use.

Installer: Leave installation instructions with the homeowner.

Homeowner: Keep installation instructions for future reference.

IMPORTANT :

À conserver pour consultation par l'inspecteur local des installations électriques.

Installateur : Remettre les instructions d'installation au propriétaire.

Propriétaire : Conserver les instructions d'installation pour référence ultérieure.

Models/Modèles KFRU271VSS, KFRU361VSS, KFRU365VSS, KFRU368VSS, KFRU488VSS,
KFRS271TSS, KFRS361TSS, KFRS365TSS, KFRU368TSS, KFRU488TSS

OUTDOOR GRILL SAFETY

Your safety and the safety of others are very important.

We have provided many important safety messages in this manual and on your appliance. Always read and obey all safety messages.



This is the safety alert symbol.

This symbol alerts you to potential hazards that can kill or hurt you and others.

All safety messages will follow the safety alert symbol and either the word "DANGER" or "WARNING."

These words mean:

⚠ DANGER

You can be killed or seriously injured if you don't immediately follow instructions.

⚠ WARNING

You can be killed or seriously injured if you don't follow instructions.

All safety messages will tell you what the potential hazard is, tell you how to reduce the chance of injury, and tell you what can happen if the instructions are not followed.

⚠ DANGER

If you smell gas:

1. Shut off gas to the appliance.
2. Extinguish any open flame.
3. Open lid.
4. If odor continues, keep away from the appliance and immediately call your gas supplier or your fire department.

⚠ WARNING

1. Do not store or use gasoline or other flammable liquids or vapors in the vicinity of this or any other appliance.
2. An LP cylinder not connected for use shall not be stored in the vicinity of this or any other appliance.

State of California Proposition 65 Warnings:

WARNING: This product contains a chemical known to the State of California to cause cancer.

WARNING: This product contains a chemical known to the State of California to cause birth defects or other reproductive harm.

In the State of Massachusetts, the following installation instructions apply:

- Installations and repairs must be performed by a qualified or licensed contractor, plumber, or gasfitter qualified or licensed by the State of Massachusetts.
- If using a ball valve, it shall be a T-handle type.
- A flexible gas connector, when used, must not exceed 3 feet.

IMPORTANT: This grill is manufactured for outdoor use only. For grills that are to be used at elevations above 2000 ft (609.6 m) orifice conversion is required. See "Gas Supply Requirements" section. It is the responsibility of the installer to comply with the minimum installation clearances specified on the model/serial rating plate. The model/serial rating plate for freestanding models can be found on the right-hand inside cabinet wall.

IMPORTANT SAFETY INSTRUCTIONS

WARNING: To reduce the risk of fire, electrical shock, injury to persons, or damage when using the outdoor cooking gas appliance, follow basic precautions, including the following:

- Do not install portable or built-in outdoor cooking gas appliances in or on a recreational vehicle, portable trailer, boat or in any other moving installation.
 - Always maintain minimum clearances from combustible construction, see “Location Requirements” section.
 - The outdoor cooking gas appliance shall not be located under overhead unprotected combustible construction.
 - This outdoor cooking gas appliance shall be used only outdoors and shall not be used in a building, garage, or any other enclosed area.
 - Keep any electrical supply cord and fuel supply hose away from any heated surfaces.
 - Keep outdoor cooking gas appliance area clear and free from combustible materials, gasoline and other flammable vapors and liquids.
 - Do not obstruct the flow of combustion and ventilation air. Keep the ventilation openings of the cylinder enclosure free and clear from debris.
 - Inspect the gas cylinder supply hose before each use of the outdoor cooking gas appliance. If the hose shows excessive abrasion or wear, or is cut, it **MUST** be replaced before using the outdoor cooking gas appliance. Contact your dealer and use only replacement hoses specified for use with the outdoor cooking gas appliance.
 - Visually check the burner flames. They should be blue. Slight yellow tipping is normal for LP gas.
 - Check and clean burner/venturi tube for insects and insect nest. A clogged tube can lead to fire under the outdoor cooking gas appliance.
 - The LP gas supply cylinder to be used must be:
 - constructed and marked in accordance with the Specification for LP Gas Cylinders of the U.S. Department of Transportation (DOT) or the National Standard of Canada, CAN/CSA-B339, Cylinders, Spheres, and Tubes for Transportation of Dangerous Goods; and Commission.
 - provided with a listed overfilling prevention device.
 - provided with a cylinder connection device compatible with the connection for outdoor cooking gas appliances.
 - Always check connections for leaks each time you connect and disconnect the LP gas supply cylinder. See “Installation Instructions” section.
 - When the outdoor cooking gas appliance is not in use, the gas must be turned off at the supply cylinder.
 - Storage of an outdoor cooking gas appliance indoors is permissible only if the cylinder is disconnected and removed from the outdoor cooking gas appliance.
 - Cylinders must be stored outdoors and out of the reach of children and must not be stored in a building, garage, or any other enclosed area.
 - The pressure regulator and hose assembly supplied with the outdoor cooking gas appliance must be used. A replacement pressure regulator and hose assembly specific to your model is available from your outdoor cooking gas appliance dealer.
 - Gas cylinder must include a collar to protect the cylinder valve.
 - For appliances designed to use a CGA791 Connection: Place a dust cap on cylinder valve outlet whenever the cylinder is not in use. Only install the type of dust cap on the cylinder valve outlet that is provided with the cylinder valve. Other types of caps or plugs may result in leakage of propane.
- If the following information is not followed exactly, a fire causing death or serious injury may occur.
- Do not store a spare LP gas cylinder under or near this outdoor cooking gas appliance.
 - Never fill the cylinder beyond 80 percent full.

SAVE THESE INSTRUCTIONS

TABLE OF CONTENTS

OUTDOOR GRILL SAFETY	2
INSTALLATION REQUIREMENTS	5
Tools and Parts	5
Location Requirements	5
Product Dimensions	6
Electrical Requirements	6
Gas Supply Requirements	7
Gas Connection Requirements.....	7
INSTALLATION INSTRUCTIONS	9
Freestanding Outdoor Grill Installation	9
GAS CONVERSIONS	14
Tools and Parts for Gas Conversion.....	14
Conversion to a Local LP Gas Supply	15
Conversion from LP Gas to Natural Gas	16
Check and Adjust the Burners	19
OUTDOOR GRILL USE	20
ELECTRONIC GRILL DISPLAY	20
Display	20
Start/Reset	20
Mode	20
Using Your Outdoor Grill.....	22
Using Your Infrared Sear Burner.....	23
Using Your Side Burner	23
Using Your Rotisserie.....	24
Rotisserie Cooking Tips	26
Using Your Smoker Box	27
Hood Lights.....	27
USING YOUR WARMING DRAWER	27
Control Knob	27
Moist-Dry Slide Control.....	28
Setting the Controls	28
Warming Cookware	29
Warming Pans and Positioning Rack	29
Proofing Bread	29
Slow Cook Function.....	29
TIPS FOR OUTDOOR GRILLING	30
Cooking Methods.....	30
Grilling Chart.....	31
OUTDOOR GRILL CARE	33
Replacing the Batteries	33
General Cleaning.....	34
Drawer Slides	36
Drawer Removal.....	36
Cabinet Door Alignment - Style 2 (internal hinge) Only	37
Cabinet Door Removal.....	37
TROUBLESHOOTING	38
ASSISTANCE OR SERVICE	39
In the U.S.A.	39
Accessories	39
In Canada	39
WARRANTY	40

TABLE DES MATIÈRES

SÉCURITÉ DU GRIL D'EXTÉRIEUR	41
EXIGENCES D'INSTALLATION	43
Outillage et pièces	43
Exigences d'emplacement	43
Dimensions du produit	44
Spécifications électriques	44
Spécifications de l'alimentation en gaz	45
Exigences concernant le raccordement au gaz	46
INSTRUCTIONS D'INSTALLATION	47
Installation du gril d'extérieur autoportant	47
CONVERSIONS DE GAZ	52
Outillage et pièces pour la conversion.....	52
Conversion au gaz propane local	53
Conversion de gaz propane à gaz naturel	54
Contrôle et réglage des brûleurs.....	57
UTILISATION DU GRIL D'EXTÉRIEUR	58
AFFICHEUR ÉLECTRONIQUE DU GRIL	59
Afficheur	59
Start/Reset (démarrage/réinitialisation).....	59
Mode.....	59
Utilisation du gril d'extérieur.....	60
Utilisation du brûleur à infrarouge.....	62
Utilisation du brûleur latéral.....	62
Utilisation du tournebroche.....	63
Conseils de cuisson à l'aide du tournebroche	64
Utilisation du fumoir	65
Lampes du capot	65
UTILISATION DU TIROIR-RÉCHAUD	66
Bouton de commande	66
Curseur de réglage Moist-Dry (humide-sec).....	66
Réglage des commandes	66
Ustensiles de réchauffage.....	67
Ustensiles de réchauffage et grille de positionnement.....	67
Levée du pain	68
Fonction de cuisson lente	68
CONSEILS POUR L'UTILISATION DU GRIL D'EXTÉRIEUR	68
Méthodes de cuisson	69
Tableau de cuisson au gril	70
ENTRETIEN DU GRIL D'EXTÉRIEUR	72
Changement de l'ampoule d'éclairage	72
Remplacement des piles.....	72
Nettoyage général	73
Glissières de tiroir.....	75
Dépose du tiroir	75
Alignement de la porte du placard - Style 2 (charnière interne) uniquement	76
Dépose de la porte du placard	76
DÉPANNAGE	77
ASSISTANCE OU SERVICE	78
Au Canada	78
Accessoires	78
GARANTIE	79

INSTALLATION REQUIREMENTS

Tools and Parts

Gather the required tools and parts before starting installation. Read and follow the instructions provided with any tools listed here.

Tools Needed

- Tape measure
- Small, flat-blade screwdriver
- Flat-blade screwdriver
- #2 and #3 Phillips screwdriver
- Level
- Short Phillips screwdriver or a 90° screwdriver with a Phillips screw bit
- Wrench or pliers
- Pipe wrench
- Scissors or cutting pliers (to remove tiedowns)
- Noncorrosive leak-detection solution

Parts Supplied

- Gas pressure regulator/hose assembly set for 11" WCP LP gas (attached to manifold)
- Natural gas conversion kit with convertible regulator set for 4" WCP Natural gas (on some models)
- Natural gas conversion kit (on some models)
- Rotisserie motor mounting bracket (on some models)
- Rotisserie motor (on some models)
- Rotisserie forks (on some models)
- Rotisserie spit (on some models)
- Smoker box (on some models)
- 2 warming drawer pans (on some models)
- 1 single-prong plug/500 mA transformer assembly for the rotisserie motor (on some models)
- 2 - 1.5 V "D" size alkaline batteries (on some models)
- Vinyl grill cover (on some models)

Parts Needed

- 20 lb LP gas fuel tank - approximately 18" (45.7 cm) height and 12" (30.5 cm) diameter
- UL outdoor-rated 120 V extension cord - size 14 gauge/3 wire (marked 14/3 W-A), 50 foot (15.2 m) maximum length

Location Requirements

⚠ WARNING



Explosion Hazard

Do not store fuel tank in a garage or indoors.

Do not store grill with fuel tank in a garage or indoors.

Failure to follow these instructions can result in death, explosion, or fire.

⚠ WARNING



Fire Hazard

Do not use grill near combustible materials.

Do not store combustible materials near grill.

Doing so can result in death or fire.

Select a location that provides minimum exposure to wind and traffic paths. The location should be away from strong draft areas.

Do not obstruct flow of combustion and ventilation air.

Clearance to combustible construction for freestanding outdoor grills:

- A minimum of 24" (58 cm) must be maintained between the front of the grill hood, sides and back of the grill and any combustible construction.
- A 24" (58 cm) minimum clearance must also be maintained below the cooking surface and any combustible construction.

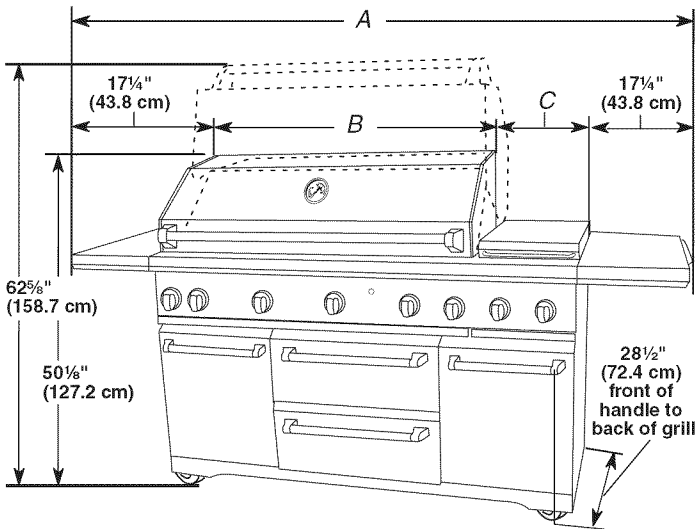
Rotisserie

A 6" (15.2 cm) minimum clearance is needed for the rotisserie motor.

A grounded, 3-prong outdoor outlet is located on the back of the grill. See "Electrical Requirements" section.

NOTE: The rotisserie is an accessory on some models. See the "Assistance or Service" section to order.

Product Dimensions



- A. 61½" (156.2 cm) on 27" (68.6 cm) models KFRS271T and KFRU271V
 70½" (179.1 cm) on 36" (91.4 cm) models KFRS361T, KFRU361V, KFRS365T and KFRU365V
 84½" (214.6 cm) on 36" (91.4 cm) models with side burner - KFRU368T and KFRU368V
 96½" (245.1 cm) on 48" (121.9 cm) models with side burner - KFRU488T and KFRU488V
- B. 27" (68.6 cm)
 36" (91.4 cm)
 48" (121.9 cm)
- C. Not available on 27" (68.6 cm) models
 14" (35.6 cm) on 36" (91.4 cm) and 48" (121.9 cm) models

Electrical Requirements

⚠ WARNING



Electrical Shock Hazard

Use only a UL listed, 14 gauge, 3 wire extension cord approved for outdoor use, marked W-A, with a maximum length of 50 ft.

Plug into a grounded 3 prong outlet.

Do not remove ground prong.

Do not use an adapter.

Failure to follow these instructions can result in death, fire, or electrical shock.

If codes permit and a separate ground wire is used, it is recommended that a qualified electrician determine that the ground path is adequate.

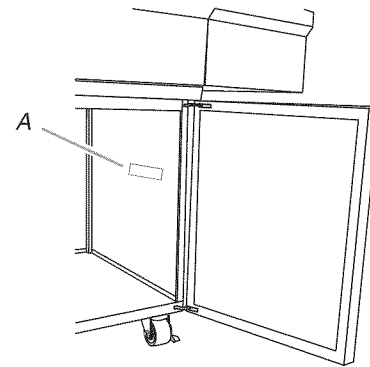
Check with a qualified electrician if you are not sure whether the grill is properly grounded.

A 120-volt, 60-Hz, AC-only, 15-amp, fused electrical supply is required.

It is recommended that a separate circuit servicing only this grill be provided.

- To avoid electrical shock, do not immerse cord or plugs in water or other liquid.
- Unplug from the outlet when not in use and before cleaning. Allow to cool before putting on or taking off parts.
- Do not operate any outdoor cooking gas appliance with a damaged cord, damaged plug, or after the appliance malfunctions or has been damaged in any manner. Contact the manufacturer for repair.
- Do not let the cord hang over the edge of a table or touch hot surfaces.
- Do not use an outdoor cooking appliance for purposes other than intended.
- When connecting, first connect plug to the outdoor cooking gas appliance then plug appliance into the outlet.
- Use only a Ground Fault Interrupter (GFI) protected circuit with this outdoor cooking gas appliance.
- Do not remove the ground prong or use with an adapter of 2 prongs.
- Use only extension cords with a 3 prong grounding plug rated for the power of the equipment and approved for outdoor use with a W-A marking.

The model/serial number rating plate is located inside the grill cabinet on the right-hand cabinet side. See the following illustration.



A. Model/serial number plate

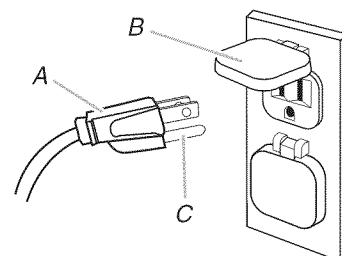
Recommended Ground Method

The outdoor grill, when installed, must be electrically grounded in accordance with local codes or, in the absence of local codes, with the National Electrical Code ANSI/NFPA 70, or Canadian Electrical Code, CSA C22.1.

Copies of the standards listed above may be obtained from:

CSA International
 8501 East Pleasant Valley Rd.
 Cleveland, Ohio 44131-5575

National Fire Protection Association
 One Batterymarch Park
 Quincy, Massachusetts 02269



A. 3-prong ground plug
 B. 3-prong polarized type outdoor GFI outlet
 C. Ground prong

Gas Supply Requirements

⚠ WARNING



Explosion Hazard

Use a new CSA International approved “outdoor” gas supply line.

Securely tighten all gas connections.

If connected to LP, have a qualified person make sure gas pressure does not exceed 11” (28 cm) water column.

Examples of a qualified person include:

licensed heating personnel,
authorized gas company personnel, and
authorized service personnel.

Failure to do so can result in death, explosion, or fire.

Observe all governing codes and ordinances.

IMPORTANT: This installation must conform with all local codes and ordinances. In the absence of local codes, installation must conform with American National Standard, National Fuel Gas Code ANSI Z223.1 - latest edition or CAN/CGA B149.1 - latest edition.

IMPORTANT: Grill must be connected to a regulated gas supply. Refer to the model/serial rating plate for information on the type of gas that can be used. If this information does not agree with the type of gas available, check with your local gas supplier.

Gas Conversion:

No attempt shall be made to convert the grill from the gas specified on the model/serial rating plate for use with a different gas type without consulting the serving gas supplier. The conversion kit supplied with grill must be used. See “Gas Conversions” section for instructions.

Gas Pressure Regulator

The gas pressure regulator supplied with this grill must be used. The inlet (supply) pressure to the regulator should be as follows for proper operation:

LP Gas:

Operating pressure: 11” (27.9 cm) WCP

Inlet (supply) pressure: 11” to 14” (27.9 cm to 35.5 cm) WCP

Natural Gas:

Operating pressure: 4” (10.2 cm) WCP

Inlet (supply) pressure: 7” to 14” (17.8 cm to 35.5 cm) WCP maximum.

Contact local gas supplier if you are not sure about the inlet (supply) pressure.

Burner Requirements for High Altitude

Input ratings shown on the model/serial rating plate are for elevations up to 2,000 ft (609.6 m).

For elevations above 2,000 ft (609.6 m), ratings are reduced at a rate of 4% for each 1,000 ft (304.8 m) above sea level. Orifice conversion is required. See “Assistance or Service” section to order.

Gas Supply Line Pressure Testing

Testing above ½ psi (3.5 kPa) or 14” (35.5 cm) WCP (gauge):

The grill and its individual shutoff valve must be disconnected from the gas supply piping system during any pressure testing of that system at test pressures greater than ½ psi (3.5 kPa).

Testing below ½ psi (3.5 kPa) or 14” (35.5 cm) WCP (gauge) or lower:

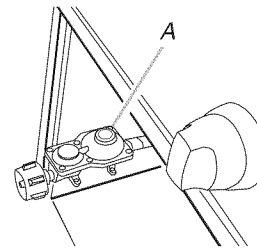
The grill must be isolated from the gas supply piping system by closing its individual manual shutoff valve during any pressure testing of the gas supply piping system at test pressures equal to or less than ½ psi (3.5 kPa).

Gas Connection Requirements

20 lb LP Gas Fuel Tank

This grill is equipped for use with a 20 lb LP gas fuel tank (fuel tank not supplied). A gas pressure regulator/hose assembly is supplied.

It is also design-certified by CSA International for local LP gas supply or for Natural gas with appropriate conversion.

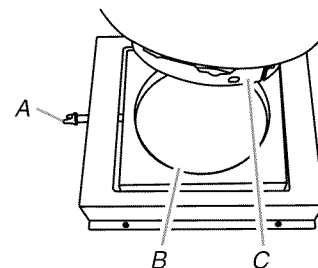


A. Gas pressure regulator/hose assembly

The 20 lb LP gas fuel tank must be mounted and secured.

Drawer Style Tank Tray

1. Open the drawer for the 20lb LP gas fuel tank.
2. Place the 20 lb LP gas fuel tank bottom collar into the mounting hole in the tank tray.
3. Tighten the locking screw against the bottom collar of the 20 lb LP gas fuel tank to secure.

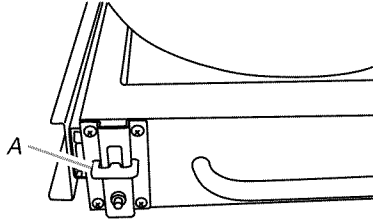


A. Locking screw
B. Mounting hole
C. Bottom collar

4. Slide the drawer with the 20lb LP gas fuel tank back into the cabinet.

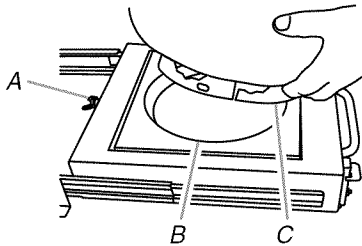
Door Style Tank Tray

1. Open cabinet doors.
2. Press the locking tab on the tank tray and pull out the tray.



A. 20 lb LP gas fuel tank tray locking tab

3. Place the 20 lb LP gas fuel tank bottom collar into the mounting hole in the tank tray.
4. Tighten the locking screw against the bottom collar of the 20 lb LP gas fuel tank to secure.



A. Locking screw
B. Mounting hole
C. Bottom collar

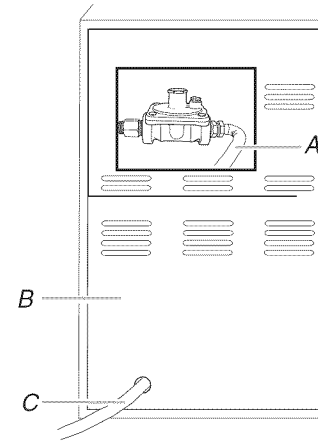
5. Slide the tank tray back into the cabinet and lock into place.

Local LP Gas Supply Conversion

Conversion must be made by a qualified gas technician. The qualified gas technician shall provide the gas supply to the selected grill location in accordance with the National Fuel Gas Code ANSI Z223.1/NFPA 54 - latest edition, and local codes. For conversion to local LP, the convertible regulator in the conversion kit supplied with the grill (on some models) must be used. Models that do not come with the conversion kit require Convertible Regulator Part Number W10132702. See "Assistance or Service" section for information on ordering.

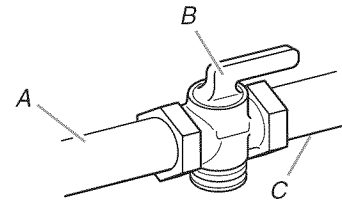
IMPORTANT: The gas installation must conform with local codes, or in the absence of local codes, with the National Fuel Gas Code, ANSI Z223.1/NFPA 54 - latest edition. The qualified LP gas technician shall provide the LP gas supply to the selected grill location in accordance with the National Fuel Gas Code, ANSI Z223.1/NFPA 54 and local codes.

Follow instructions for converting to local LP gas in the "Gas Conversions" section.



A. New ANSI Z21.54 certified gray hose
B. Rear of grill
C. To local LP gas supply

The gas supply line shall be equipped with an approved shutoff valve. This valve should be located in the same area as the grill and should be in a location that allows ease of opening and closing. Do not block access to the shutoff valve. The valve is for turning on or shutting off gas to the grill.



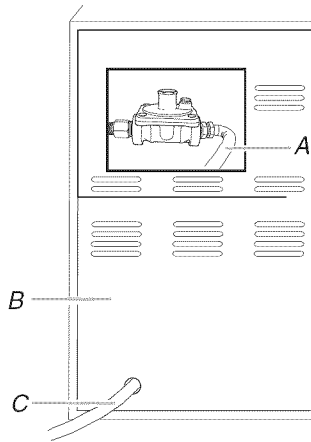
A. Gas supply line
B. Shutoff valve "open" position
C. To grill

Natural Gas Conversion

Conversion must be made by a qualified gas technician. The qualified Natural gas technician shall provide the Natural gas supply to the selected grill location in accordance with the National Fuel Gas Code ANSI Z223.1/NFPA 54 - latest edition, and local codes. For conversion to Natural gas, the Natural Gas Conversion Kit supplied with the grill (on some models) or the Natural Gas Conversion Kit Part Number W10118098 must be used. See "Assistance or Service" section for information on ordering.

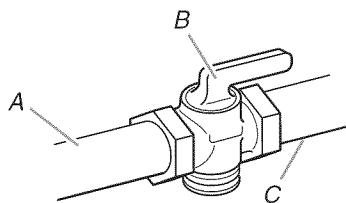
IMPORTANT: The gas installation must conform with local codes, or in the absence of local codes, with the National Fuel Gas Code, ANSI Z223.1/NFPA 54 - latest edition.

Follow instructions for converting to Natural gas in the "Gas Conversions" section of this manual or the instructions supplied with Natural Gas Conversion Kit Part Number W10118098.



A. New ANSI Z21.54 certified gray hose
B. Rear of grill
C. To Natural gas supply

The gas supply line shall be equipped with an approved shutoff valve. This valve should be located in the same area as the grill and should be in a location that allows ease of opening and closing. Do not block access to the shutoff valve. The valve is for turning on or shutting off gas to the grill.



A. Gas supply line
B. Shutoff valve "open" position
C. To grill

INSTALLATION INSTRUCTIONS

Freestanding Outdoor Grill Installation

⚠ WARNING

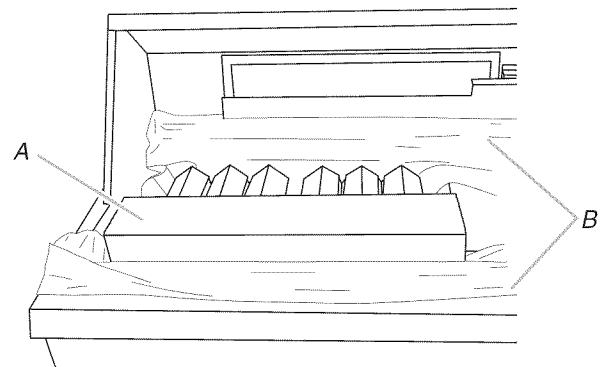
Excessive Weight Hazard

**Use two or more people to move and install grill.
Failure to do so can result in back or other injury.**

1. Unpack grill. Remove all packaging materials and remove grill from wooden skid.
2. Move grill into desired outdoor location.
3. Open the hood.

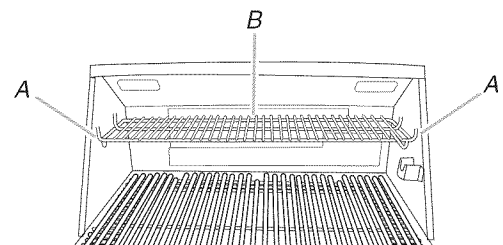
Remove Packaging Material Inside the Grill

1. Cut the tiedowns holding the grates together.
2. Remove condiment shelf, warming shelf and grill grates from inside the grill and remove packaging material.
3. Remove foam block and wrap from inside the grill.



A. Foam block
B. Foam wrap

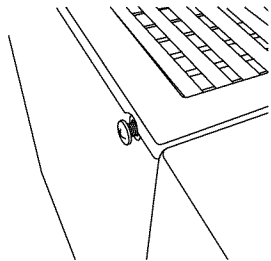
4. Replace the grill grates.
5. Place warming shelf on brackets as shown.



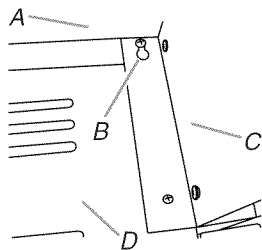
A. Warming shelf brackets
B. Warming shelf

Attach Side Shelf (on some models)

1. Open doors below grill and remove carton. Unpack side shelf.
2. Locate 4 screws. Install 2 screws in the top 2 holes on each side of the grill. Leave screws away from side of grill about ¼" (0.64 cm).



3. Install side shelf on left side of the grill. Position the side shelf so that the large end of the keyhole slots are over the screws. Place shelf onto the 2 mounting screws. Let the shelf slide down so the screws are in the narrow neck of the slots.

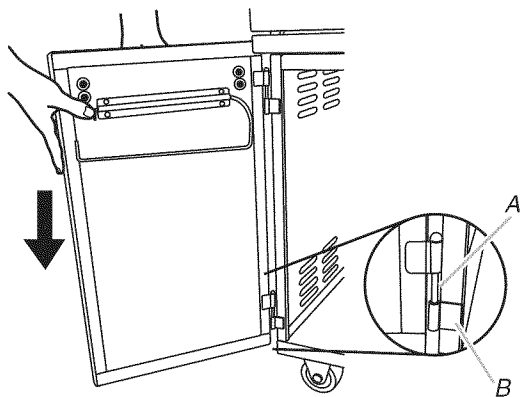


A. Top of side shelf
B. Keyhole slot
C. Front of side shelf
D. Side of grill

4. Install the bottom 2 screws and tighten.
5. Tighten the top 2 screws.

Attach Cabinet Doors (on some models)

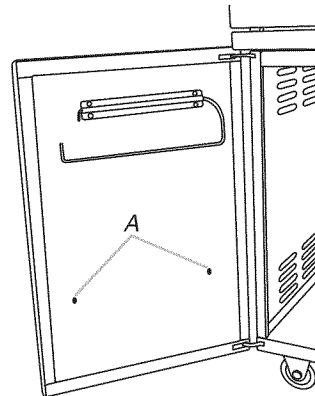
1. Remove foam wrapping from both cabinet doors.
2. Position hinge pins on the door with the hinge brackets on the cabinet. Gently push down to slide the pins into place.



A. Door hinge pin
B. Hinge bracket

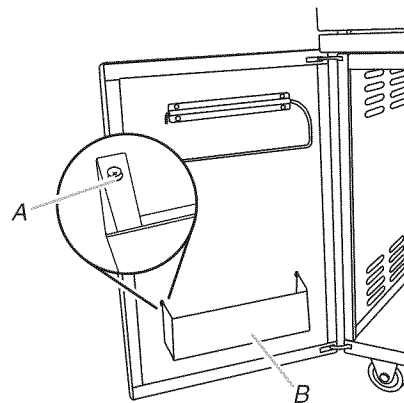
Attach Condiment Shelf (on some models)

1. Open cabinet door.
2. Use a short Phillips screwdriver or a 90° screwdriver with a Phillips screw bit to loosen the 2 mounting screws on the inner door panel.



A. Mounting screws

3. Position the condiment shelf so that the large ends of the keyhole slots are over the 2 mounting screws.



A. Mounting screw in keyhole slot
B. Condiment shelf

4. Lower the condiment shelf until the 2 mounting screws are in the narrow ends of the keyhole slots.
5. Tighten the screws.
6. Dispose of/recycle all packaging material.

Make Gas Connection - To a 20 lb LP Gas Fuel Tank

⚠ WARNING



Explosion Hazard

Securely tighten all gas connections.

If connected to LP, have a qualified person make sure gas pressure does not exceed 11" (28 cm) water column.

Examples of a qualified person include:
licensed heating personnel,
authorized gas company personnel, and
authorized service personnel.

Failure to do so can result in death, explosion, or fire.

If converting to local LP or Natural gas, follow instructions in the "Gas Conversions" section.

LP Gas:

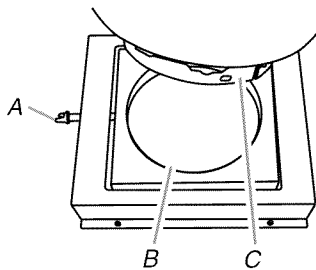
IMPORTANT: A 20 lb LP gas fuel tank must be purchased separately.

IMPORTANT: The gas pressure regulator/hose assembly supplied with the grill must be used. Replacement gas pressure regulator/hose assembly specific to your model, is available from your outdoor grill dealer.

Drawer Style Tank Tray

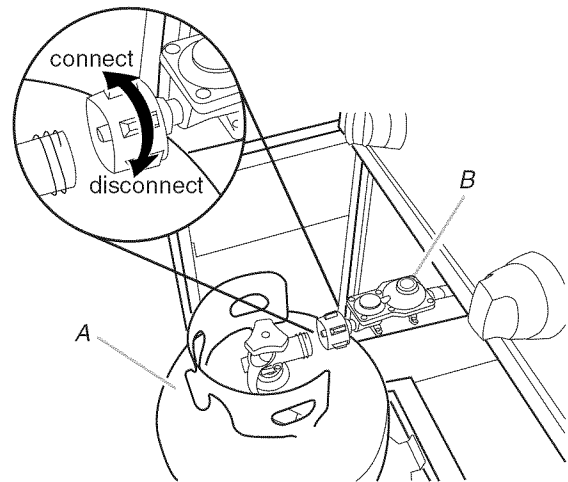
To Install the 20 lb LP Gas Fuel Tank:

1. Open the drawer for the 20lb LP gas fuel tank.
2. Place the 20 lb LP gas fuel tank bottom collar into the mounting hole in the tank tray
3. Tighten the locking screw against the bottom collar of the 20 lb LP gas fuel tank to secure.



A. Locking screw
B. Mounting hole
C. Bottom collar

4. Screw the gas pressure regulator/hose assembly to the 20 lb LP gas fuel tank as shown. (To disconnect, turn off the gas supply to the 20 lb LP gas fuel tank, then unscrew the gas pressure regulator/hose assembly from the 20 lb LP gas fuel tank as shown.)



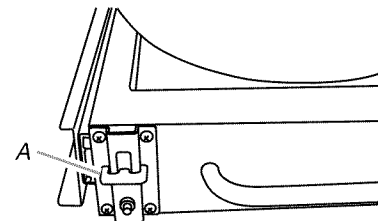
A. 20 lb LP gas fuel tank
B. Gas pressure regulator/hose assembly

5. Turn on the gas supply. Wait a few minutes for gas to move through the gas line.
6. Test all connections by brushing on an approved noncorrosive leak-detection solution. Bubbles will show a leak. Correct any leak found.
7. Slide the drawer with the 20lb LP gas fuel tank back into the cabinet.
8. The batteries are not factory installed. The 1.5-volt "D" size alkaline batteries are located in the accessory box on the grill grate. Install the batteries at this time following the instructions in the "Replacing the Batteries" section.
9. Go to "Plug in Grill" in this section.

Door Style Tank Tray

To Install the 20 lb LP Gas Fuel Tank:

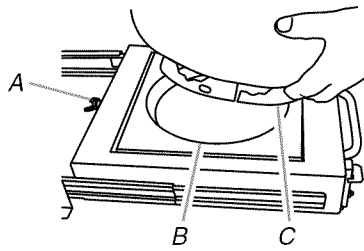
1. Open cabinet doors.
2. Press the locking tab on the tank tray and pull out the tray..



A. 20 lb LP gas fuel tank tray locking tab

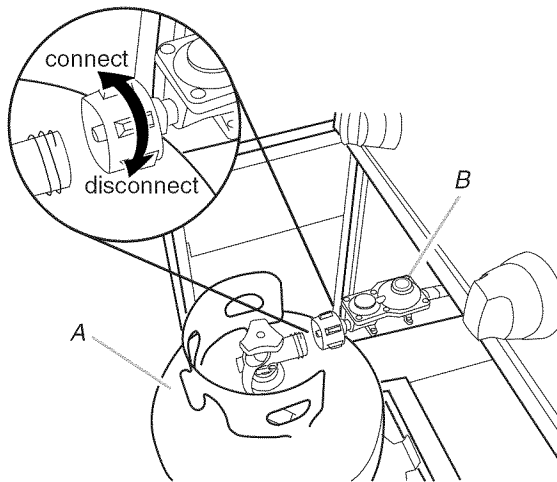
3. Place the 20 lb LP gas fuel tank bottom collar into the mounting hole in the tank tray.

- Tighten the locking screw against the bottom collar of the 20 lb LP gas fuel tank to secure.



A. Locking screw
B. Mounting hole
C. Bottom collar

- Screw the gas pressure regulator/hose assembly to the 20 lb LP gas fuel tank as shown. (To disconnect, turn off the gas supply to the 20 lb LP gas fuel tank, then unscrew the gas pressure regulator/hose assembly from the 20 lb LP gas fuel tank as shown.)



A. 20 lb LP gas fuel tank
B. Gas pressure regulator/hose assembly

- Turn on the gas supply. Wait a few minutes for gas to move through the gas line.
- Test all connections by brushing on an approved noncorrosive leak-detection solution. Bubbles will show a leak. Correct any leak found.
- Slide the tank tray back into the cabinet and lock into place.
- The batteries are not factory installed. The 1.5-volt "D" size alkaline batteries are located in the accessory box on the grill grate. Install the batteries at this time following the instructions in the "Replacing the Batteries" section.
- Go to "Plug in Grill" in this section.

Gas Connection to Natural Gas or Local LP Gas

⚠ WARNING



Explosion Hazard

Use a new CSA International approved "outdoor" gas supply line.

Securely tighten all gas connections.

If connected to LP, have a qualified person make sure gas pressure does not exceed 11" (28 cm) water column.

Examples of a qualified person include:
licensed heating personnel,
authorized gas company personnel, and
authorized service personnel.

Failure to do so can result in death, explosion, or fire.

This installation must conform with local codes and ordinances. In the absence of local codes, installations must conform with either the National Fuel Gas Code ANSI Z223.1, or CAN/CGA-B149.1 Natural Gas and Propane installation code.

Copies of the standards listed above may be obtained from:

CSA International
8501 East Pleasant Valley Rd.
Cleveland, Ohio 44131-5575

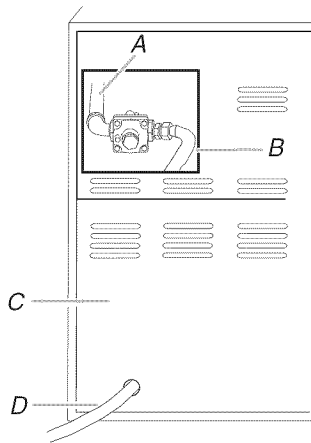
National Fire Protection Association
One Batterymarch Park
Quincy, Massachusetts 02269

- Make gas connections.

A combination of pipe fittings must be used to connect the grill to the existing gas line.

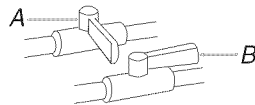
- If local codes permit, use an outdoor flexible stainless steel tubing gas connector, design-certified by CSA International, to connect the grill to the rigid gas supply line. A 5/8" diameter line is recommended. Using a wrench to tighten, connect the gas supply to the grill. Use pipe-joint compound on all non-flared male threads. Do not kink or damage the flexible connector when moving the grill.

- Pipe-joint compounds suitable for use with LP gas must be used. Do not use TEFLON^{®†} tape.



A. New ANSI Z21.54 certified gray hose
 B. Rear of grill
 C. To Natural gas supply
 D. Manual shutoff valve

2. Open the manual shutoff valve in the gas supply line. The valve is open when the handle is parallel to the gas pipe.



A. Closed valve
 B. Open valve

3. Test all connections by brushing on an approved noncorrosive leak-detection solution. Bubbles will show a leak. Correct any leak found.
4. The batteries are not factory installed. The 1.5-volt “D” size alkaline batteries are located in the accessory box on the grill grate. Install the batteries at this time following the instructions in the “Replacing the Batteries” section.
5. Go to “Plug in Grill” in this section.

Plug in Grill

⚠ WARNING



Electrical Shock Hazard

Use only a UL listed, 14 gauge, 3 wire extension cord approved for outdoor use, marked W-A, with a maximum length of 50 ft.

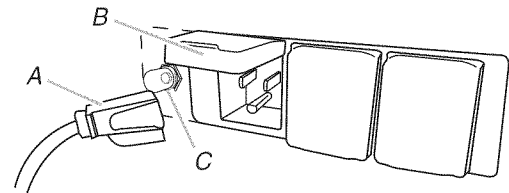
Plug into a grounded 3 prong outlet.

Do not remove ground prong.

Do not use an adapter.

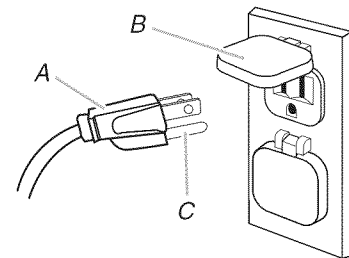
Failure to follow these instructions can result in death, fire, or electrical shock.

1. Plug a UL outdoor rated 14 gauge/3 wire extension cord (marked W-A) (maximum length 50 foot [15.2 m]) into the male receptacle on the back of the grill.



A. UL outdoor rated 14 gauge/3 wire extension cord
 B. Male receptacle
 C. Circuit breaker button

2. Plug extension cord into grounded 3-prong GFI outlet.



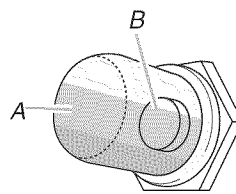
A. 3-prong ground plug
 B. 3-prong polarized type outdoor GFI outlet
 C. Ground prong

- To avoid electrical shock, do not immerse cord or plugs in water or other liquid.
- Unplug from the outlet when not in use and before cleaning. Allow to cool before putting on or taking off parts.
- Do not operate any outdoor cooking gas appliance with a damaged cord, damaged plug, or after the appliance malfunctions or has been damaged in any manner. Contact the manufacturer for repair.

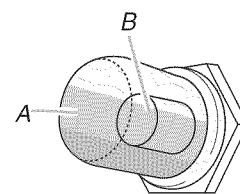
†TEFLON is a registered trademark of E.I. Du Pont De Nemours and Company.

- Do not let the cord hang over the edge of a table or touch hot surfaces.
- Do not use an outdoor cooking appliance for purposes other than intended.
- When connecting, first connect plug to the outdoor cooking gas appliance then plug appliance into the outlet.
- Use only a Ground Fault Interrupter (GFI) protected circuit with this outdoor cooking gas appliance.
- Do not remove the ground prong or use with an adapter of 2 prongs.
- Use only extension cords with a 3 prong grounding plug rated for the power of the equipment and approved for outdoor use with a W-A marking.

NOTE: Check the circuit breaker on the back of the grill after plugging the grill into a 3-prong polarized type outdoor GFI outlet if there is a loss of electrical power to the grill. Reset the circuit breaker if the button is in the tripped position. Push in the rubber boot and button to reset.



A. Rubber boot
B. Circuit breaker button in "set" position



A. Rubber boot
B. Circuit breaker button in "tripped" position

3. Go to "Check and Adjust the Burners" section

GAS CONVERSIONS

NOTE: These instructions are for grill models that come equipped with the conversion kit for Local LP and Natural gas. For models that do not come equipped with the conversion kit: for conversion to Local LP order Regulator Part Number W10132702, or for conversion to Natural gas order LP to Natural Gas Conversion Kit Part Number W10118098. Use the conversion instructions included in the kit. See "Assistance or Service" section for information on ordering.

Tools and Parts for Gas Conversion

Gather the required tools and parts before starting installation. Read and follow the instructions provided with any tools listed here.

Tools needed

- Phillips screwdriver
- Pipe wrench
- Adjustable wrench
- 10 mm wrench
- 6 mm socket and wrench or 6 mm nut driver
- 10 mm socket and wrench or 10 mm nut driver
- Thin flat-blade screwdriver
- Pliers
- Pipe thread sealant certified for LP gas

Parts supplied

- Brass connector
- Convertible regulator 4" W.C. Natural, 11" W.C. LP
- Natural gas orifices

IMPORTANT: Gas conversions must be done by a qualified installer. Before proceeding with conversion, shut off the gas supply to the appliance prior to disconnecting the electrical power.

This kit is designed for use from sea level up to 2000 ft elevation. For higher elevations contact KitchenAid at **1-800-422-1230** in the U.S.A. or call **1-800-607-6777** in Canada.

⚠ WARNING



Explosion Hazard

Use a new CSA International approved "outdoor" gas supply line.

Securely tighten all gas connections.

If connected to LP, have a qualified person make sure gas pressure does not exceed 11" (28 cm) water column.

Examples of a qualified person include:

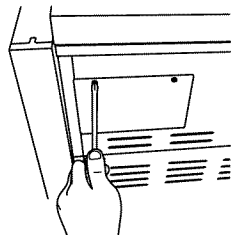
licensed heating personnel,
authorized gas company personnel, and
authorized service personnel.

Failure to do so can result in death, explosion, or fire.

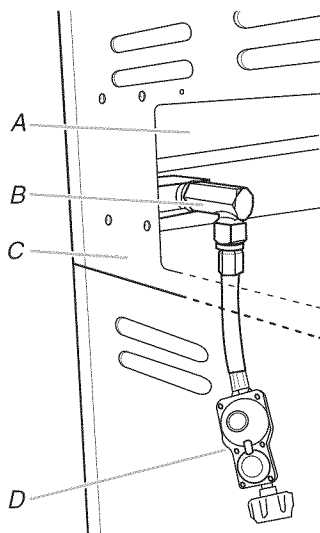
Conversion to a Local LP Gas Supply

Installation of the regulator

1. Turn off the main gas supply valve.
2. Unplug grill or disconnect power.
3. Disconnect 20 lb LP gas fuel tank (if present).
4. Turn off all burner control valves.
5. Remove rear cover and 2 screws.



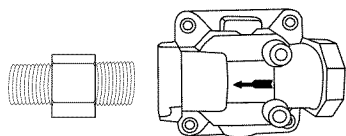
6. Use adjustable wrench to remove LP hose regulator from brass elbow. Use adjustable wrench to remove brass elbow from shutoff valve.



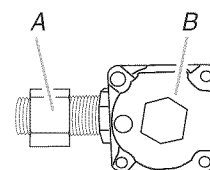
A. Manifold
B. Brass elbow
C. Rear of grill
D. Gas pressure regulator/hose assembly

7. Apply pipe sealant to the threads of the brass connector. Use pipe thread sealant that is certified for use with LP gas.
8. Use adjustable wrench to install brass connector (supplied) to shutoff valve.

NOTE: The arrow on the regulator must be pointing toward the brass connector.

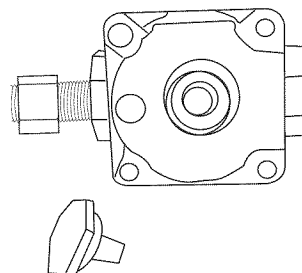


9. Use pipe wrench to install the convertible regulator. Brass cap will be facing up when tight.

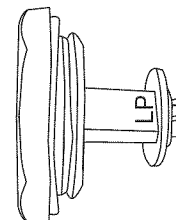


A. Brass connector
B. Convertible regulator

10. To set the appliance regulator for LP gas, use adjustable wrench to remove the brass cap on the convertible regulator.



11. Examine the stem on the brass cap. The letters "NAT" should be showing on the end of the plastic stem farthest away from the brass cap.
12. Remove stem from cap, turn it over and snap stem back into the cap so the letters "LP" are at the end of the stem farthest away from the brass cap.



13. Use adjustable wrench to reinstall cap onto regulator.

Make Grill Connections

Connect Local LP Gas Supply

1. Use pipe wrench to connect certified ½" (1.3 cm) gas supply pipe to inlet side of regulator from Fixed LP gas supply according to local codes requirements. Use pipe thread sealant that is certified for use with LP gas at connections where required. There must be a certified manual shutoff valve in the gas supply line near the grill for easy access.
2. Turn on the gas supply to the grill.
3. Test all connections by brushing on an approved noncorrosive leak-detection solution. Bubbles will show a leak. Correct any leaks found.

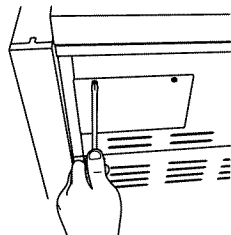
Record Conversion

In the last page of the Use and Care Guide, write "Converted to Local LP Gas Supply." Also record the conversion date and the technician/company that performed the conversion.

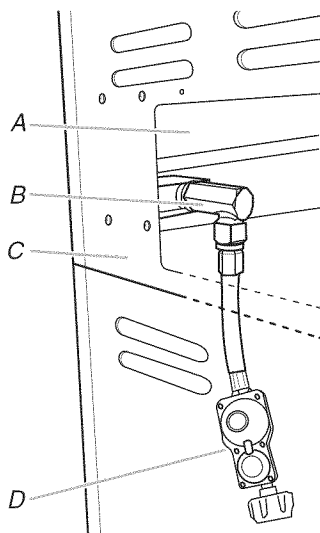
Conversion from LP Gas to Natural Gas

Installation of the regulator

1. Turn off the main gas supply valve.
2. Unplug grill or disconnect power.
3. Disconnect 20 lb LP gas fuel tank (if present).
4. Turn off all burner control valves.
5. Remove rear cover and 2 screws.



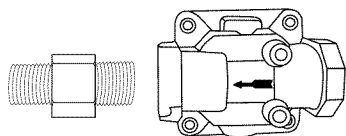
6. Use adjustable wrench to remove LP hose regulator from brass elbow. Use adjustable wrench to remove brass elbow from shutoff valve.



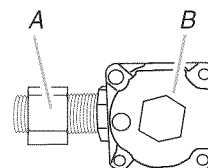
- A. Manifold
- B. Brass elbow
- C. Rear of grill
- D. Gas pressure regulator/hose assembly

7. Apply pipe sealant to the threads of the brass connector. Use pipe thread sealant that is certified for use with LP gas.
8. Use adjustable wrench to install brass connector (supplied) to shutoff valve.

NOTE: The arrow on the regulator must be pointing toward the brass connector.

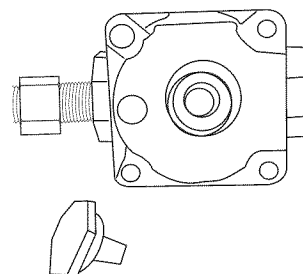


9. Use pipe wrench to install the convertible regulator. Brass cap will be facing up when tight.

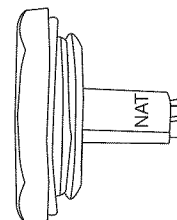


- A. Brass elbow
- B. Convertible regulator

10. To make sure the regulator is set for Natural gas, use adjustable wrench to remove brass cap on appliance regulator.



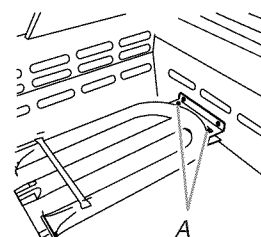
11. Examine the stem on the brass cap. If the letters "NAT" are not showing on the end of the plastic stem farthest away from the brass cap, remove stem from cap, turn it over and snap stem back into the cap so the letters "NAT" are at the end of the stem farthest away from the brass cap.



12. Reinstall cap onto convertible regulator.

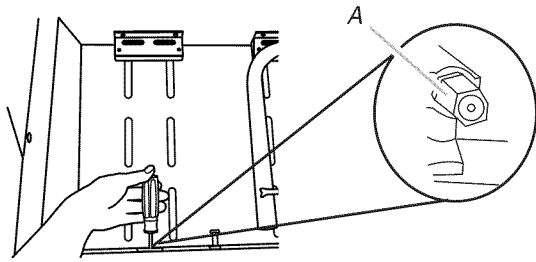
Change the main grill burner valve orifices

1. Manually remove all of the grates, sear plate, and burners.
2. Remove the 2 screws that hold the burner in place. Remove gas burner from the grill.



- A. Two screws

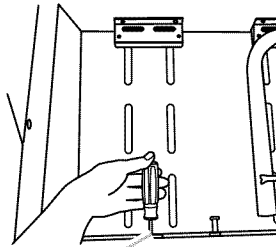
- Use 6 mm socket and wrench or 6 mm nut driver to remove the brass orifices from the end of the gas valves.



A. Grill burner orifice

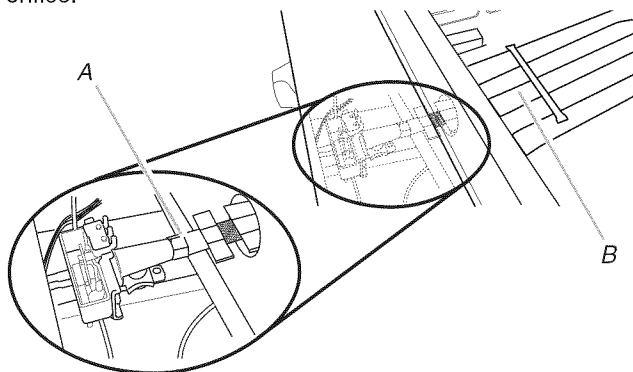
- Install new 2.34 mm orifices supplied with this kit to the end of the gas valve. Use 6 mm socket and wrench or 6 mm nut driver to tighten.

NOTE: The number 2.34 is stamped on the orifice for identification.



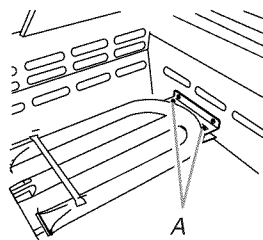
A. Grill burner orifice

- Replace burner by sliding the middle tube (venturi) over the orifice.



A. Burner/orifice connection
B. Burner

- Reattach gas burner using 2 screws.

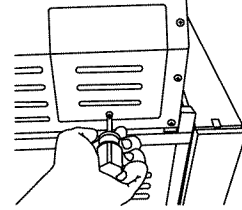


A. Two screws

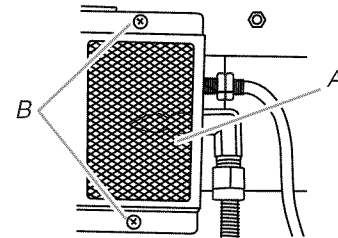
- Repeat the procedure for each grill burner.

Change the Rotisserie-infrared burner orifice(s)

- Remove the access cover and screw at the back of the grill hood with a Phillips screwdriver.

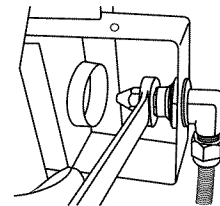


- Use Phillips screwdriver to remove 2 screws holding the spider guard to the burner.



A. Spider guard
B. Two screws

- Use 10 mm wrench to remove the brass orifice located at the end of the supply pipe.



- For models with 1 rotisserie burner:**

Install 1.9 mm orifice supplied with this kit to the end of the supply pipe. Use 10 mm wrench to tighten.

For models with 2 rotisserie burners:

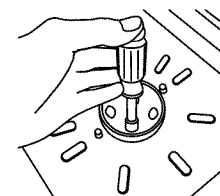
Install 1.55 mm orifice supplied with the kit to the end of the supply pipe. Use 10 mm wrench to tighten.

NOTE: The number 1.9 mm or 1.55 mm is stamped on the orifice for identification.

- Replace the spider guard and secure with the 2 screws removed in Step 2.
- Repeat the procedure for each rear burner.

Change the Side burner orifices (for models equipped with side burner)

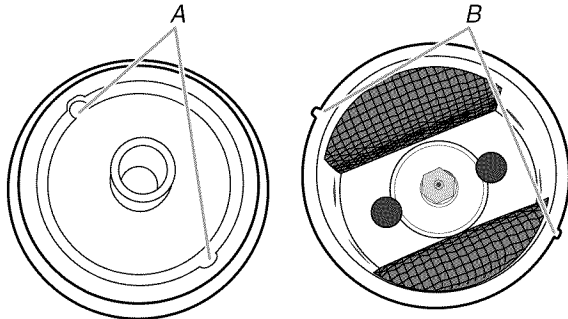
- Remove the side burner grates.
- Remove the burner caps. The caps are interlocked to the burner base. Twist and lift the burner caps to remove.
- Use 10 mm socket and wrench or 10 mm nut driver to remove the brass orifices from inside the burner base.



- Use 10 mm socket and wrench or 10 mm nut driver to install the new 2.1 mm orifices supplied with this kit.

NOTE: The number 2.1 is stamped on the orifice for identification.

- Repeat the procedure for the other burner.
- Replace the burner top and caps. Align the notches in the bottom of the burner top with the tabs on the burner base and twist until the burner top is seated on the burner base. You will feel it drop into the deep notch.

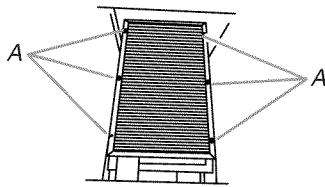


A. Burner top notches
B. Burner base tabs

- Replace the side burner grates.

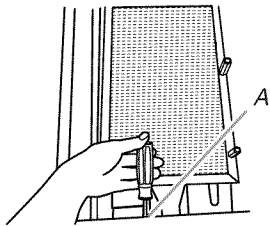
Change the Sear burner orifices (for models equipped with sear burner)

- Remove the sear burner cover screws. Set the screws and cover aside.



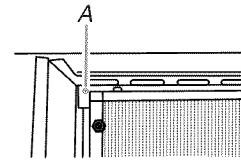
A. Sear burner cover screws

- Remove the burner igniter mounting screws.
- Loosen the sear burner plate, located next to the igniter.



A. Burner igniter mounting screws

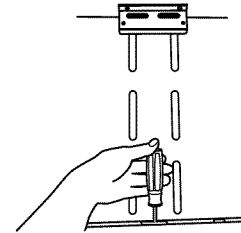
- Remove the sear burner mounting screws.



A. Sear burner mounting screws

- Lift the sear burner out of the grill.
- Use 6 mm socket wrench or 6 mm nut driver to remove the orifice. Install the new 2.34 mm orifice.

NOTE: The number 2.34 is stamped on the orifice for identification.



- Reinstall sear burner. Make sure that the igniter is out of the way to allow proper positioning of burner. Use Phillips screwdriver to attach the mounting screws.
- Use Phillips screwdriver to reattach the igniter and sear burner plate.
- Reinstall sear burner cover. Use Phillips screwdriver to attach mounting screws.

Hook up to Natural gas and Leak Test

- Use pipe wrench to connect certified 1/2" (1.3 cm) gas supply pipe to inlet side of regulator from Natural gas supply according to local codes requirements. Use pipe thread sealant that is certified for use with LP gas at connections where required. There must be a certified manual shutoff valve in the gas supply line near the grill for easy access.
- Turn on the gas supply to the grill.
- Test all connections using an approved noncorrosive leak-detection solution. Bubbles will show a leak. Correct any leak found.

Record Conversion

- The appliance nameplate is located inside the grill cabinet on the right-hand cabinet side. With a permanent marker, check the box next to "Natural gas" and mark through "LP - Propane."

In the last page of the Use and Care Guide, write "Converted to Natural Gas." Also record the conversion date and the technician/company that performed the conversion.

NOTE: Place LP gas parts in plastic parts bag for future use and keep with pack containing literature.

Check and Adjust the Burners

The burners are tested and factory-set for most efficient operation. However, variations in gas supply and other conditions may make minor adjustments to air shutter or low flame setting necessary.

It is recommended that a qualified person make burner adjustments.

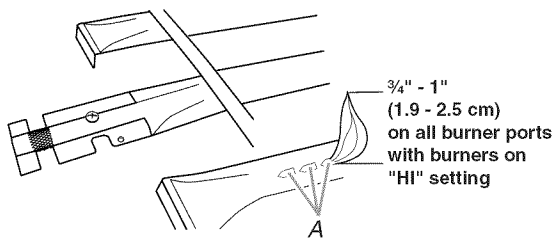
NOTE: The rotisserie burner cannot be adjusted.

Checking and adjusting the grill burner flames requires removing the grate and sear plates.

Burner Flame Characteristics

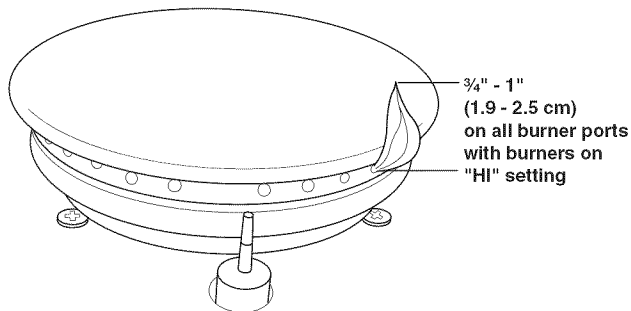
The flames of the grill burners and side burners (on some models) should be blue and stable with no excessive noise or lifting (LP gas flames will have a slightly yellow tip). A yellow flame indicates not enough air. If flame is noisy or lifts away from the burner, there is too much air. Some yellow tips on flames when the burner is set to HI setting are acceptable as long as no carbon or soot deposits appear.

Main burner



A. Burner ports

Side burner



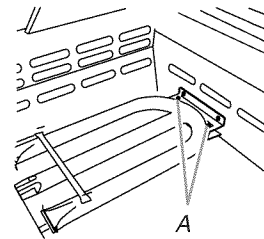
Check that burners are not blocked by dirt, debris, insect nests, etc. and clean as necessary. If they are clean, adjust air shutters as needed.

IMPORTANT: Before adjusting air shutters, let burners cool completely.

To Adjust:

1. Light grill using information in the "Outdoor Grill Use" section.
2. Observe flame to determine which burners need adjustment and how the flame is acting.
3. Turn off the valve and wait until grill and burners cool completely.
4. Remove grill grates and sear plates.

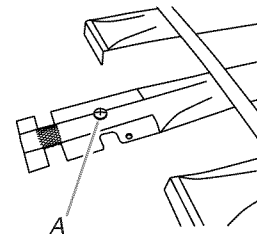
5. Remove the 2 screws that hold the burner in place. Remove gas burner from the grill.



A. 2 screws

6. If flame is yellow (not enough air), turn air shutter adjustment screw counterclockwise.

If flame is noisy or lifts away from burner (too much air), turn air shutter adjustment screw clockwise.



A. Air shutter adjustment screw

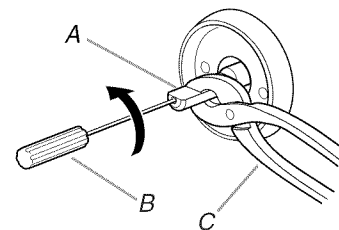
Adjustment should be made clockwise or counterclockwise from 1/8" (3.2 mm) to 1/4" (6.4 mm).

7. Replace gas burner, sear plates and grates.
8. Light grill using information in the "Outdoor Grill Use" section. See "Burner Flame Characteristics."

Low Flame Adjustment

If flame goes out on the "LO" setting, the low flame setting must be adjusted.

1. Turn off the valve and wait until grill and burners are cool.
2. Remove grill grates and sear plates.
3. Light grill using information in the "Outdoor Grill Use" section.
4. Turn burner to its lowest setting and remove knob.
5. Hold valve stem with pliers and insert a small flat-blade screwdriver into the shaft.
6. Watch the flame and slowly turn the screwdriver counterclockwise.
7. Adjust flame to minimum stable flame.



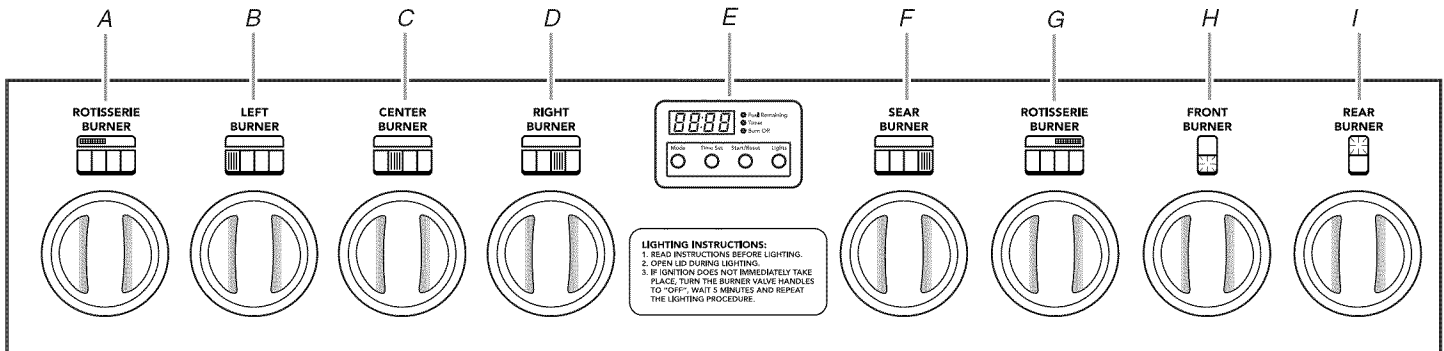
A. Valve stem
B. Small flat-blade screwdriver
C. Pliers

8. Replace the control knob and turn off the burner.
9. Repeat steps 3 through 8 for each burner if needed.
10. Replace the sear plates and grates after the burners have cooled.

OUTDOOR GRILL USE

This manual covers several different models. The grill you have purchased may have some or all of the features listed. The locations and appearances of the features shown here may not match those of your model.

Control Panel



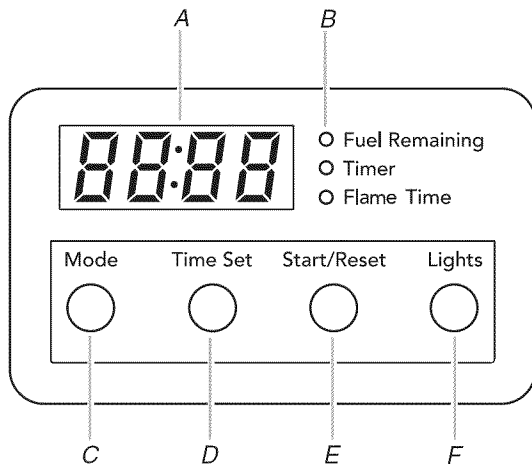
- A. Left rotisserie burner control knob
- B. Left grill burner control knob
- C. Center grill burner control knob

- D. Right grill burner control knob
- E. Electronic grill display (on some models)
Light switch button (on some models)
- F. Sear burner control knob

- G. Right rotisserie burner control knob
- H. Front side burner control knob
- I. Rear side burner control knob

ELECTRONIC GRILL DISPLAY

(on some models)



- A. Timer display
- B. Mode indicator lights
- C. Mode selection button
- D. Time set button
- E. Start/reset button
- F. Hood light on/off button

Display

The display will turn on when a gas burner is lit. The display will default to Fuel Remaining.

This display will also turn on when the Mode, Timer or Start/Reset button is pushed. The information displayed will be for the mode of the lit indicator light.

The display area will go blank 10 minutes after the last time that a button was pushed (except the light button).

If the display does not turn on or if "NP" or "E1" is displayed, see "Troubleshooting" section.

Start/Reset

The Start/Reset button starts the Timer and Flame Time™ cycle. This button also stops and resets these features.

Mode

The mode button selects features on the display control.

When the grill is not lit and the Mode button is pushed, it will only display the information for Modes 1 and 2. The grill must be lit for Mode 3 to be activated.

Mode 1 - Fuel Remaining Feature

The fuel remaining feature displays a calculated amount of time (hours and minutes) the grill can remain lit at the current gas usage rate before the 20lb LP gas fuel tank runs out of fuel.

The Fuel Remaining can be checked when the grill is OFF.

To check fuel remaining with the grill OFF:

1. Press Mode button until the indicator light for "Fuel Remaining" comes on. "00:00" will appear in the display. After 10 seconds a calculated Fuel Time Remaining will appear in the display.

To check fuel remaining with the grill burners ON:

1. Press Mode button until the indicator light for "Fuel Remaining" comes on. "00:00" will appear in the display. After 10 seconds a calculated Fuel Time Remaining will appear in the display.

2. The fuel time remaining will be recalculated automatically 7-10 minutes after the grill has been lit.

NOTE: This recalculated display of fuel time remaining may increase when the grill is used on medium or low settings because the gas consumption is less.

When the 20 lb LP gas fuel tank is Low:

1. The “Fuel Remaining” indicator light will flash when the gas weight is less than 2.64 lbs (1.2 kg).
2. When gas weight is less than 1.76 lbs (0.8 kg) the display for Fuel Remaining will show 00:00 and a tone will sound 2 times every 20 seconds for five minutes. The fuel shutoff valve will not close, unless the Flame Time™ mode is selected.

Mode 2 - Timer

The Timer can be set in hours and minutes up to 12 hours and 59 minutes, then counts down the set time.

To Set:

1. Press the Mode button until the timer indicator light comes on.
2. Press the Time Set Button to increase the time by 1 minute or press and hold the Time Set button to increase the time rapidly.
3. When desired time is set, press the Start/Reset button once to start the timer countdown. When the set time ends, reminder tones will sound.
4. Press Start/Reset button to reset the Timer or cancel the reminder tones.

NOTE: The minute timer will continue counting down until the set time ends or the Start/Reset button is pushed to cancel the timer.

Mode 3 - Flame Time™ Feature

The Flame Time™ feature automatically shuts off gas to the burners 10 minutes after set time has expired. This feature can be set for 1 to 60 minutes.

Flame Time™ can be used to keep grill burning for a set amount of time for grilling or for burn off of the grill grates.

For burn off of grill grates

With the lid closed and the main burners on HI, residue will burn off the main grill grates. After the grill shuts off and is cool, the grates can be scraped off more easily. The recommended time for burn off is 45 minutes.

For Timed Grill “ON”

To set the amount of time for grilling, follow the steps the same as burn-off of grill grates except you need to light only the burners you wish to use and adjust the burner knob to desired grill setting. The hood can be up or down depending on your grilling preference.

To set Flame Time™ mode for burn-off:

1. Light all main burners and set them on HI and close the hood.
2. Press the “Mode” button until the indicator light for Flame Time™ comes on.
3. Press the “Time Set” button to the amount of time you want the grill to be on. The recommended time for burn off is 45 minutes.
4. Press “Start/Reset” button to start the Flame Time™ feature timer countdown. When the set time ends (00:00), the reminder tone will sound.
 - If the Start/Reset button is pushed within 10 minutes after the Flame Time™ timer reaches 00:00 the fuel shutoff valve will not close automatically. The Flame Time™ timer can be reset and continue the burn-off or timed grill and the timer will count down the new set time.
 - If the Start/Reset button is not pushed within 10 minutes after Flame Time™ timer reaches 00:00 the fuel shutoff valve will close automatically and the display for the Flame Time™ feature will be off. If the mode button is pushed, “E1” will be appear in the display if there is at least one valve still turned on. The tone will sound one time. If Mode button is pushed a second time the Fuel time remaining will be displayed.
 - If the valves are shut off while the Flame Time™ mode timer is counting down, it will stop counting and keep the data. If the start/reset button is pushed when the valves are turned on again, the Flame Time™ timer will continue to count from the last stored data.
5. Press Start/Reset button to cancel this feature or the reminder tones.

NOTE: All of the burner valves must be turned to the off position before grill can be lit after a Flame Time™ cycle has been used.

When the LP tank is Low:

1. The “Fuel Remaining” indicator light will flash when the gas weight is less than 2.64 lbs (1.2 kg).
2. When gas weight is less than 1.76 lbs (0.8 kg) the fuel shutoff valve will close instantly and “E1” will appear in the display. The indicator light for Flame Time™ mode will be lit.
3. If the gas weight is less than 1.76 lbs (0.8 kg) the Flame Time™ mode will not activate if selected.

Lights

1. Press the lights button to turn the lights inside the grill hood “On” or “Off.”

NOTE: The power supply must be plugged in for lights to work. If lights do not work, see “Outdoor Grill Care” section for changing the light bulbs.

Using Your Outdoor Grill

⚠ WARNING



Explosion Hazard

Do not store fuel tank in a garage or indoors.
Do not store grill with fuel tank in a garage or indoors.
Failure to follow these instructions can result in death, explosion, or fire.

⚠ WARNING



Fire Hazard

Do not use grill near combustible materials.
Do not store combustible materials near grill.
Doing so can result in death or fire.

⚠ WARNING

Food Poisoning Hazard

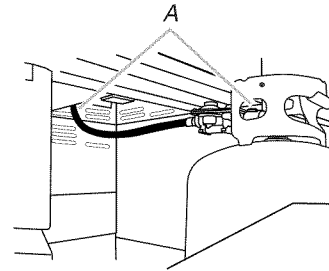
Do not let food sit for more than one hour before or after cooking.
Doing so can result in food poisoning or sickness.

Inspect the 20 lb LP Gas Fuel Tank Supply Hose

Inspect the gas pressure regulator/hose assembly before each use.

1. Open the right-hand drawer and slide 20 lb LP gas fuel tank out.
2. Inspect the entire gas pressure regulator/hose assembly for cuts, abrasions, or excessive wear.
3. If necessary, replace the gas pressure regulator/hose assembly before using the grill.

Contact the dealer and use only replacement hoses specified for use with the grill.



A. Gas pressure regulator/hose assembly

Check the Drip Tray Pans

Open the drip tray and check the drip pans for grease and other liquids. Clean the drip tray and pans often to avoid grease and other liquid buildup.

Water can build up in the drip tray and pans if the grill is not covered when not in use.

See Drip Tray in the “General Cleaning” section for emptying and cleaning the drip tray and pans.

The drip tray must be in place and pushed all of the way in when using the grill.

Prepare the Gas Supply

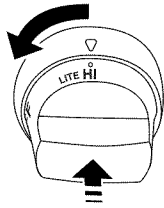
1. Open the hood completely. Do not light burners with the hood closed.
2. Make sure the control knobs are all turned to the OFF position.

Turn the Gas Supply On

1. For freestanding outdoor grills using a 20 lb LP gas fuel tank: Slowly open the 20 lb LP gas fuel tank valve.
NOTE: If flow limiting device activates, your grill may not light. If your grill does light, the flames will be low and will not heat properly. Turn 20 lb LP gas fuel tank valve and all control knobs off and wait 30 seconds. After shutting off the 20 lb LP gas fuel tank, very slowly open tank valve and wait 5 seconds before lighting.
2. For outdoor grills using gas supply source other than 20 lb LP gas fuel tank: Open the manual shutoff valve in the gas supply line. The valve is open when the handle is parallel to the gas pipe.

Lighting the Grill and Infrared Sear Burner

1. Do not lean over the grill.
2. Select the burner you want to light. Push in and turn the grill burner control knob to LITE/HI, while continuing to hold it in.

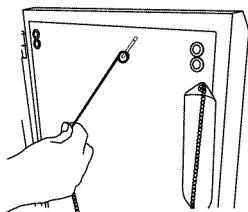


3. You will see the igniter glow or hear the “snapping” sound of the spark (depending on your model). When burner is lit, release the knob. Turn knob to desired setting.
4. Repeat for each of the other burners as needed.

IMPORTANT: If burner does not light immediately, turn the burner knob to OFF and wait 5 minutes before relighting.

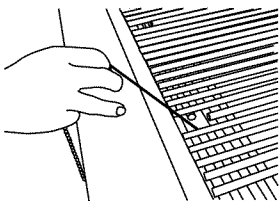
Manually Lighting Main Grill and Infrared Sear Burners

1. Do not lean over the grill.
2. Remove the manual lighting extension (see following illustration) and attach a match to the split ring.

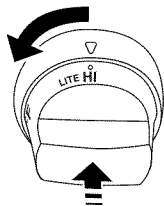


Freestanding grills - right-hand cabinet drawer or door

3. Strike the match to light it.
4. Guide the lit match between the grill grate and one of the slots in the sear plate.



5. Push in and turn the burner knob to LITE/HI for the burner closest to the lit match. The burner will light immediately. When burner is lit, turn knob to desired setting.



6. Repeat steps 3 through 5 for each main burner.
7. Remove match and replace manual lighting extension inside the cabinet drawer or door.

IMPORTANT:

If burner does not light immediately, turn the burner knob to OFF and wait 5 minutes before relighting.

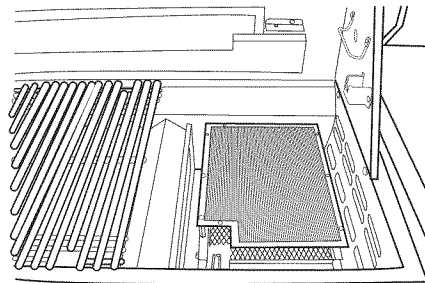
If any burners do not light after attempting to light them manually, contact the KitchenAid Customer eXperience Center. See the “Assistance or Service” section.

Using Your Infrared Sear Burner

(on some models)

Infrared grilling produces intense heat which quickly sears the meat. Searing locks in flavor and juices while allowing the outer surface to absorb smoke and food aroma that is produced as grease and drippings are vaporized by the burner. The result is a crisp, flavorful outside with a tender, juicy inside.

- Preheat the infrared sear burner for 5 minutes.
- Ensure that meats are fully thawed and that all excess fat is trimmed away prior to grilling.
- Leave the burner set to HI when placing food on the grill to sear.
- Use the sear burner to sear meat 1 to 2 minutes on each side, then move the meat to the main grill cooking surface to finish grilling to the desired doneness.



NOTE: View is shown with grates removed. Grates are to be in place when using the infrared sear burner.

Using Your Side Burner

(on some models)

⚠ WARNING



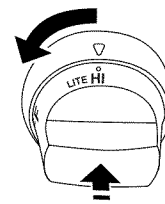
Burn Hazard

Do not let the burner flame extend beyond the edge of the pan.

Doing so can result in burns.

Lighting the Side Burner

1. Remove the side burner cover. Do not light burners with the cover on.
2. Do not lean over the grill.
3. Push in and turn the control knob to LITE/HI and hold in.

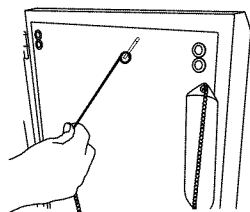


- You will see the igniter glow or hear the “snapping” sound of the spark (depending on your model). When burner is lit, release the knob. Turn knob to desired setting.
- Repeat for the other burner as needed.

IMPORTANT: If burner does not light immediately, turn the burner knob to OFF and wait 5 minutes before relighting.

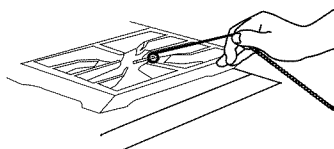
Manually lighting the side burner

- Do not lean over the grill.
- Remove the manual lighting extension (see following illustration) and attach a match to the split ring.

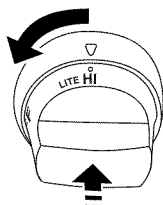


Freestanding grills - right-hand cabinet drawer or door

- Strike the match to light it.
- Guide the match to the burner you wish to light.



- Push in and turn the burner knob to LITE/HI for the burner closest to the lit match. The burner will light immediately. When burner is lit, turn knob to desired setting.



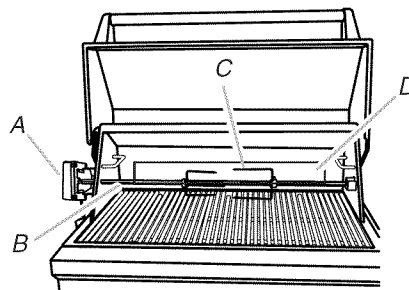
- Repeat steps 3 through 5 for each burner.
- Remove match and replace manual lighting extension inside the cabinet drawer or door.

IMPORTANT:

If burner does not light immediately, turn the burner knob to OFF and wait 5 minutes before relighting.

If any burners do not light after attempting to light them manually, contact the KitchenAid Customer eXperience Center. See the “Assistance or Service” section.

Using Your Rotisserie (optional accessory on some models)



A. Rotisserie motor
B. Spit rod
C. Rotisserie fork
D. Rotisserie burner

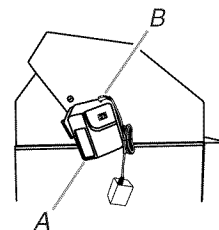
For best cooking results, do not use main grill burners when using the rotisserie.

The rotisserie system is designed to cook food from the rear using intense, searing infrared heat.

NOTE: To avoid product damage when not using the rotisserie, remove the motor and 500 mAmp transformer assembly and store indoors. Remove the spit rod and forks. Store out of the reach of children.

To Use:

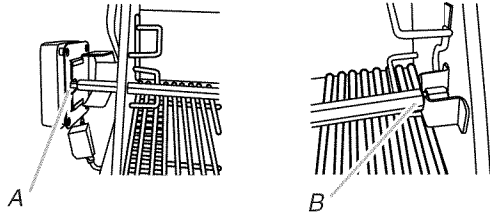
- Remove warming shelf.
- Mount rotisserie motor on the grill's mounting bracket. Position it securely into support bracket slots. Plug single-prong plug of the 500 mAmp transformer assembly into rotisserie motor.



A. Rotisserie motor
B. Single-prong power cord

- To load the spit rod, slide one of the rotisserie forks onto the spit rod with prongs facing inward.
- Push spit rod through the center of the food, then slide second rotisserie fork into position.
- Center the food and rotisserie forks on spit rod and tighten wing nuts on the rotisserie forks. If necessary, secure loose food portions with butcher's string only.

- Once the food is positioned on spit rod, place pointed end of rod through the hole in the left side of the grill and into the rotisserie motor, then lower the notched end of the spit rod onto the support bracket on the opposite side.



A. Pointed end of spit rod
B. Notched end of spit rod

- Check that food is centered with the rotisserie burner. If not, loosen wing nuts, reposition food and retighten wing nuts.

⚠ WARNING



Electrical Shock Hazard

Plug into a grounded 3 prong outlet.

Do not remove ground prong.

Do not use an adapter.

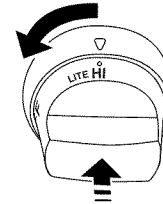
Do not use an extension cord.

Failure to follow these instructions can result in death, fire, or electrical shock.

- Plug into the grounded 3 prong outlet on the back of the grill.
 - To avoid electrical shock, do not immerse cord or plugs in water or other liquid.
 - Unplug from the outlet when not in use and before cleaning. Allow to cool before putting on or taking off parts.
 - Do not operate any outdoor cooking gas appliance with a damaged cord, damaged plug, or after the appliance malfunctions or has been damaged in any manner. Contact the manufacturer for repair.
 - Do not let the cord hang over the edge of a table or touch hot surfaces.
 - Do not use an outdoor cooking appliance for purposes other than intended.
 - When connecting, first connect plug to the outdoor cooking gas appliance then plug appliance into the outlet.
 - Use only a Ground Fault Interrupter (GFI) protected circuit with this outdoor cooking gas appliance.
 - Do not remove the ground prong or use with an adapter of 2 prongs.
- Turn on the rotisserie motor and light the rotisserie burner. See the following "Lighting the Rotisserie Burner" section.

Lighting the Rotisserie Burner

- Do not lean over the grill.
- Push in and turn the control knob to LITE/HI. You will see the igniter glow or hear the "snapping" sound of the spark (depending on your model).

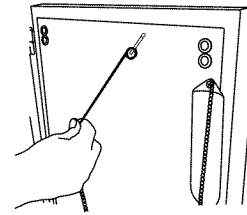


- When the rotisserie burner lights, continue to hold the knob in for another 10 seconds, then release the knob and burner will stay lit.

IMPORTANT: If the rotisserie burner does not light immediately, turn the burner knob to OFF and wait 5 minutes before relighting.

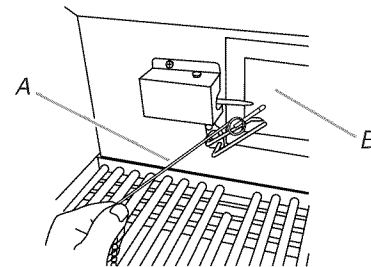
Manually Lighting the Rotisserie Burner

- Do not lean over the grill.
- Remove the manual lighting extension (see following illustration) and attach a match to the split ring.



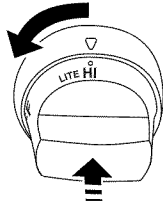
Freestanding grills -
right-hand cabinet drawer or door

- Strike the match to light it.
- Gently hold the lit match close to the rotisserie burner.



A. Lighting extension
B. Rotisserie burner

5. Push in and turn the control knob to LITE/HI. Hold this knob in for 10 seconds after the burner is lit. You may see the igniter glow or hear the “snapping” sound of the spark (depending on your model) until after the knob is released.



IMPORTANT: If the rotisserie burner does not light immediately, turn the rotisserie burner control knob to “OFF” and wait 5 minutes before relighting.

6. Remove the match and replace the manual lighting extension inside the cabinet drawer or door.

Rotisserie Cooking Tips

! WARNING

Food Poisoning Hazard

Do not let food sit for more than one hour before or after cooking.

Doing so can result in food poisoning or sickness.

Rotisserie cooking rotates food in front of the rotisserie burner, creating an intense heat for searing the outside and sealing in natural juices.

The rotisserie burner reaches cooking temperatures in about 1 minute. It is not necessary to preheat when using the rotisserie.

- Select tender meat and poultry.
- Allow at least 1" (2.5 cm) space between rotisserie burner and the food.
- To make cleanup easier, place a pan under the food to catch drippings.
- The hood can be opened or closed, but when using the rotisserie with the smoker the hood should be closed.
- Add barbecue sauce or glaze only during the last 10 minutes of cooking to keep sauce from burning.

Trussing Poultry for the Rotisserie

1. Load the spit rod by sliding one of the forks on the rod, with the prongs facing inward. Tighten the screw to keep it from slipping.
2. Push the rod through the center of the bird.
3. Cut 24" (61 cm) of butcher's string and center it under the bird, breast side up.
4. Wrap each end of the string around the wings; catch each wing tip. Bring the string tightly together at the top of the breast and knot. It is not necessary to cut off the extra string.

5. Cut another 20" (50.8 cm) of string and lay it under the back of the bird. Wrap it around the tail then around the spit rod, cinching tightly.
6. Cross the legs on top of spit rod; tie string around the crossed legs.
7. Connect the twine holding the legs, to the string holding the wings, and knot. Cut off any bits of hanging string.
8. Slide on the second fork pushing the tines into the drumsticks.
9. Center the food and forks on the rod and tighten the thumb-screws. The bird should be firmly in place on the rotisserie spit rod.

ROTISSERIE CHART

Use a portable meat thermometer to check internal doneness of the food.

Turn off rotisserie burner when meat thermometer reads 5°F/3°C lower than desired internal temperature. Continue rotating, hood closed, for 10 minutes before carving.

Timing is affected by weather conditions such as wind and outside temperature.

Food	Weight	Internal Doneness or Temperature (°F/°C)	Approximate Grilling Time (min/lb)
Beef			
Roasts	4-6 lbs	Medium-rare (145°F/ 63°C)	15-20
Rib Eye	1.5-2.2 kg	Medium (160°F/71°C)	20-25
Sirloin Tip			
Rib, boneless			
Poultry			
Chicken	3-6 lbs	Breast (170°F/ 77°C)	25-30
	1.1-2.2 kg	Thigh (180°F/82°C)	25-30
Turkey, whole	7-10 lbs	Breast (170°F/77°C)	11-20
	2.6-3.7 kg	Thigh (180°F/82°C)	11-20
Lamb			
Boneless leg	4-7 lbs 1.5-2.6 kg	Medium (160°F/71°C)	20-25
Pork			
Loin roast, boneless	4-6 lbs 1.5-2.2 kg	Medium (160°F/71°C)	20-23

Using Your Smoker Box

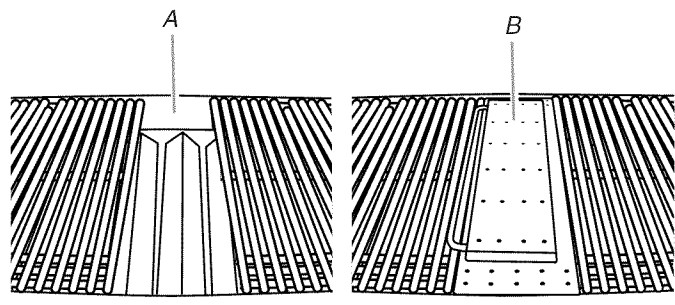
NOTE: The smoker box is an accessory on some models. See “Accessories” in the “Assistance or Service” section to order.

The smoker box can be used when grilling or when using your rotisserie.

1. Prepare wood chips/pellets following manufacturer’s directions.
2. Open smoker box lid and add prepared chips/pellets onto the grate inside the smoker box.

NOTE: For about 1 hour of smoking, fill the smoker box approximately ¼ full of chips/pellets.

3. Remove the small grate from the grill and replace with the smoker box.



A. Shown with small grate removed
B. Smoker box

4. Light the burner below the smoker box and preheat on high until smoker begins smoking. Reduce the heat setting to keep the smoke at the amount desired.

To Refill the Smoker Box During Use

IMPORTANT: You may want to wear oven mitts when opening and closing the smoker box lid.

1. Open grill hood.
2. Lift smoker box lid and add more prepared chips/pellets.
3. Close the smoker box lid.
4. Close the grill hood and continue grilling.

Hood Lights

The grill must be plugged in for the hood lights to work. See “Plug in Grill” in the “Freestanding Outdoor Grill Installation” section.

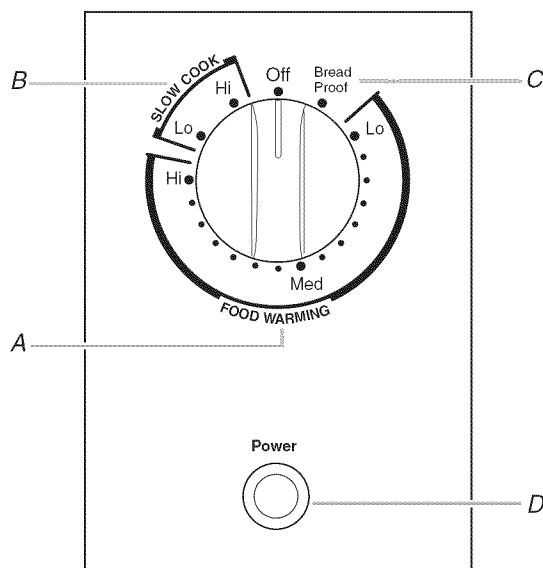
To Use:

Press the LIGHTS button on the control panel to turn the hood lights on and off.

USING YOUR WARMING DRAWER

(on some models)

Control Panel



A. Warming drawer temperature control zone
B. Slow cooker temperature control zone
C. Proofing bread control position
D. Blue power indicator light

Control Knob

⚠ WARNING

Food Poisoning Hazard

Do not let food sit for more than one hour before or after cooking.

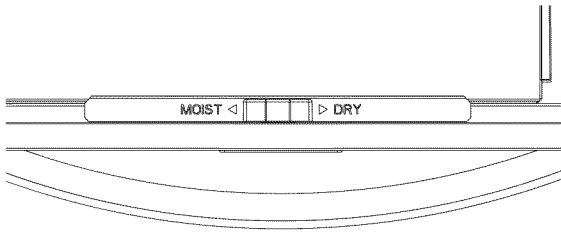
Doing so can result in food poisoning or sickness.

Push in and turn the control knob to turn on the warming drawer. The blue power indicator light will turn on and remain on when the warming drawer is in operation.

When finished, turn the control knob to OFF to turn off the warming drawer. When the warming drawer is turned off the blue power indicator light will go out and the drawer will begin to cool.

The temperature is controlled by rotating the control knob to the desired setting. The temperature setting ranges from Lo to Hi on the warming drawer control to keep heated foods warm at the selected temperatures.

Moist-Dry Slide Control



The Moist-Dry slide control allows you to open or close the vent slots in the door. The MOIST setting holds moisture in, while the DRY setting allows steam and moisture to escape from the drawer.

NOTE: Condensation may form on inner surfaces. This is normal.

To keep foods moist, slide control to the MOIST setting, closing the vents. Closing the vents will seal the drawer and keep hot foods soft and moist.

To keep foods crisp, slide control to the DRY setting, opening the vents. Opening the vents releases moisture from the drawer and keeps hot foods crisp and dry. See the Warming Drawer Temperature Chart in the “Setting the Controls” section.

Setting the Controls

! WARNING

Food Poisoning Hazard

Do not let food sit for more than one hour before or after cooking.

Doing so can result in food poisoning or sickness.

The warming drawer is ideal for keeping hot cooked foods at serving temperature. It is designed to operate properly at temperatures down to 32°F (0°C). If the drawer is operated at temperatures colder than 32°F (0°C), performance may be affected.

Different types of food may be placed in the warming drawer at the same time.

When keeping several types of food hot, use the setting for the highest temperature food in the warming drawer. Place foods requiring the highest temperature on the bottom of the drawer and those foods requiring the lowest temperature on an elevated rack.

For best results, do not hold foods in the warming drawer longer than 1 hour. For smaller quantities or heat-sensitive foods, such as eggs, do not hold longer than 30 minutes.

Food must be cooked and at serving temperature before being placed in the warming drawer. Cover foods with a lid.

Breads, pastries, and fruit pies may be heated from room temperature on the Hi setting. Remove food from plastic bags and place in oven-safe container.

Oven-safe serving dishes and dinner plates can be heated while the warming drawer is preheating.

NOTE: To conserve heat, place cookware and positioning rack in the warming drawer before preheating.

To Use:

1. Push in and turn the control knob to the desired food warming setting: Lo (low), between Lo and Med (medium low), Med (medium), between Med and Hi (medium high), or Hi (high).

NOTE: For best results, meats, seafood, poultry and any foods containing meat, seafood or poultry must be set to medium or higher.

2. Select MOIST or DRY setting.
3. Allow warming drawer to preheat. Recommended minimum preheating times are 5 minutes for Lo, 10 minutes for Med, and 20 minutes for Hi.
4. Push in and turn the control knob to OFF when finished.

WARMING DRAWER TEMPERATURE CHART

Different foods require different settings in order to maintain the ideal serving temperature. Use the following chart as a guide.

You can set the drawer temperature anywhere between Lo and Hi. For best results, meats, seafood and poultry must be set to medium or higher. Cover food, if desired, to maintain heat and moisture.

When keeping several different types of food hot, set the drawer to the food requiring the highest temperature setting. Place item(s) requiring the highest temperature on the bottom of the drawer and those items requiring the lowest temperature on the rack.

FOOD	SETTING
Bacon	Med to Hi - DRY
Beef, medium and well-done	Med to Hi - MOIST
Bread, hard rolls	Med - DRY
Bread, soft rolls	Med - MOIST
Casseroles - with a crisp top	Med - DRY
Casseroles	Med - MOIST
Coffee cake	Med - MOIST
Cooked cereal	Med to Hi - MOIST
Eggs	Hi - MOIST
Fish, Seafood (no breading)	Hi - MOIST
Fish, Seafood (breaded)	Hi - DRY
Fried foods	Hi - DRY
Gravy, Cream Sauces	Hi - MOIST
Ham	Med Hi - MOIST
Hors d'oeuvres (crisp)	Hi - DRY
Lamb	Med to Hi - MOIST
Pancakes, waffles	Hi - DRY
Pies, single crust	Med - DRY
Pies, double crust	Med to Lo - DRY
Pizza	Hi - DRY
Pork	Med to Hi - MOIST
Potatoes, baked	Med - DRY
Potatoes, mashed	Med to Hi - MOIST
Poultry	Hi - DRY
Vegetables	Med to Hi - MOIST

Warming Cookware

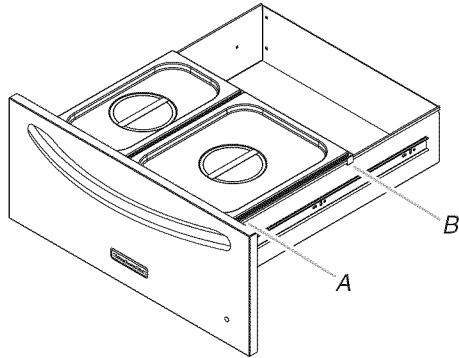
Use only cookware approved for oven use. Follow the cookware manufacturer's instructions.

Warming Pans and Positioning Rack

Warming Pans

The warming drawer includes 2 pan support rails designed to hold 2 warming pans.

When using serving pans, insert the pan support rails in the locator notches before inserting pans.



A. Position 1 pan support rail locator notch
B. Position 2 pan support rail locator notch

Extra 1/2 and 1/3 size pans may be purchased from the KitchenAid® Customer eXperience Center. See the "Assistance or Service" section to order.

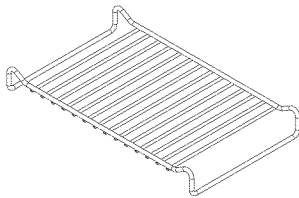
Other size serving pans can be purchased at various retailers and restaurant supply stores.

Optional Warming Rack (accessory)

The optional positioning rack will fit from front to back or side to side. The rack raises an oven-safe container 1 1/8" (2.86 cm) from the bottom of the drawer.

Optional positioning rack may be purchased from the KitchenAid® Customer eXperience Center. See the "Assistance or Service" section to order.

NOTE: The warming drawer must be fully opened when placing or removing racks.



Keep the number of times the drawer is opened to a minimum in order to maintain set temperature in the warming drawer.

Proofing Bread

Proofing bread prepares dough for baking by activating the yeast. Check dough periodically for progress.

To Proof:

1. Cover dough with lightly oiled waxed paper and place temperature safe bowl(s) on rack.
2. Set control knob to PROOF setting.
3. Place vent on MOIST setting.
4. Verify doneness by pressing 2 fingers 1/2" (1.3 cm) into dough. If indentation remains, the dough is ready.

For second proofing of dough, repeat steps 1 through 4.

Slow Cook Function

⚠ WARNING

Food Poisoning Hazard

Do not let food sit for more than one hour before or after cooking.

Doing so can result in food poisoning or sickness.

The SLOW COOK function in the warming drawer cooks food slowly at a low temperature over a long period of time, similar to a countertop slow cooker.

When the warming drawer is installed outdoors, the SLOW COOK function should not be used when the temperature is below 32°F (0°C).

There are 2 settings, Hi and Lo. Guidelines for cooking times are 4 to 5 hours for Hi and 8 to 10 hours for Lo. Smaller quantities of food may require less time, while larger quantities may require more time.

When slow cooking, use serving pans or oven-safe cookware.

Before slow cooking, thaw frozen foods completely.

IMPORTANT: Brown roasts thoroughly before starting to slow cook.

To Use:

1. Push in and turn control knob to the SLOW COOK zone and set the desired temperature, LO or HI. Preheating is not necessary.
2. Place food into warming drawer. Food should be placed directly on the bottom of the warming drawer. Do not use a rack.
3. Close the warming drawer. Be sure that the warming drawer is completely closed during operation.
4. Turn control knob to OFF when finished.

TIPS FOR OUTDOOR GRILLING

⚠ WARNING

Food Poisoning Hazard

Do not let food sit for more than one hour before or after cooking.

Doing so can result in food poisoning or sickness.

Before Grilling

- Thaw food items before grilling.
- Preheat grill on high (use all grill burners) 10 minutes. The hood must be closed during preheating. There is no need to use the back rotisserie burner for preheating. Preheating provides the high heat needed to brown and seal the juices.
- Shorten the preheat time when grilling high-fat cuts of meat or poultry, such as chicken thighs. This will help reduce flare-ups.
- Lightly oil the grill grates or the food when cooking low-fat cuts of meat, fish or poultry, such as lean hamburger patties, shrimp or skinless chicken breasts.
- Using too much oil can cause gray ash to deposit on food.
- Trim excess fat from meats prior to cooking to reduce flare-ups.
- Make vertical cuts at 2" (5 cm) intervals around the fat edge of meat to avoid curling.
- Add seasoning or salt only after the cooking is finished.

During Grilling

- Turn foods only once. Juices are lost when meat is turned several times.
- Turn meat just when juices begin to appear on the surface.
- Avoid puncturing or cutting the meats to test doneness. This allows juices to escape.
- It may be necessary to lower the heat setting for foods that cook a long time or are marinated or basted in a sugary sauce.
- If using a high flame, add barbecue sauce only during the last 10 minutes of cooking to avoid burning the sauce.
- The degree of doneness is influenced by the type of meat, cut of meat (size, shape and thickness), heat setting selected, and length of time on the grill.
- Cooking time will be longer with an open grill cover.

Cooking Methods

For optimal use of the SureSear™ system, the following cooking methods are recommended.

Direct Heat

Cooking by direct heat means the food is placed on grill grates directly above lighted burners. Hood position can be up or down. If hood is in the up position, total cooking times may be longer.

Direct heat sears the food. Searing is a process that seals natural juices in food by cooking with intense heat for a short period of time. While juices stay inside, the outside is browned with a flavorful grilled coating.

Indirect Heat

For best results, do not select the indirect heat cooking method when it is windy.

Cooking by indirect heat means the food is placed on the grill grate above an unheated burner, allowing heat from lighted burner(s) on either side to cook the food.

If possible, turn on 2 burners. Cook with the hood down. This will shorten the cooking time.

Indirect Cooking

Place food only on the grill grate over the OFF burners.

Grill Size	Burner	Burner	Burner	Burner
	1	2	3	4
27" (68.6 cm)	ON	OFF	-	-
36" (91.4 cm)	ON	OFF	ON	-
48" (121.9 cm)	ON	OFF	ON	OFF

Grilling Chart

- Knobs have High, Medium and Low settings for flame adjustment.
- Heat settings indicated are approximate.
- Grilling times are affected by weather conditions.
- When 2 temperatures are listed, for example: Medium to Medium-Low, start with the first and adjust based on cooking progress.
- Cooking times may vary from chart times depending on the type of fuel, Natural or LP gas.

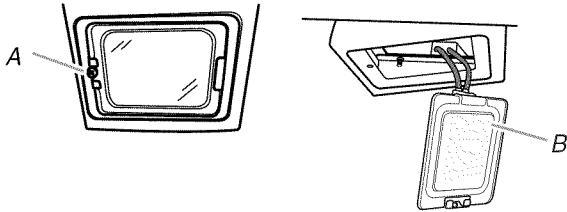
FOOD	COOKING METHOD/ BURNER SETTING	INTERNAL TEMP.	TIME (total minutes)	SPECIAL INSTRUCTIONS
Beef				
Hamburgers ½" (1.3 cm) to ¾" (1.9 cm) thick	DIRECT Medium	Medium (160°F/71°C)	10-15	Grill, turning once.
Roasts Rib Eye, Sirloin	INDIRECT Medium/OFF/Medium	Med-Rare (145°F/63°C) to Medium (160°F/71°C)	32-40 per lb (15-18 per kg)	Tent with foil first 45-60 minutes of cooking time.
Steaks, 1" (2.5 cm) Porterhouse, Rib, T-bone, Top Loin, Sirloin	DIRECT Medium	Med-Rare (145°F/63°C) to Medium (160°F/71°C)	11-16	Rotate steaks ¼ turn to create criss-cross grill marks.
Steaks, 1½" (3.8 cm) Porterhouse, Rib, T-bone, Top Loin, Sirloin	DIRECT Medium	Med-Rare (145°F/63°C) to Medium (160°F/71°C)	18-25	
Top Round or Shoulder/ Chuck (London Broil) 1½" (3.8 cm) thick	DIRECT Medium	Med-Rare (145°F/63°C) to Medium (160°F/71°C)	22-29	
Flank, ½" (1.3 cm) thick	DIRECT Medium	Med-Rare (145°F/63°C)	11-16	
Pork				
Chops, 1" (2.5 cm) 1½" (3.8 cm) thick	DIRECT Medium to Med-Low	Medium (160°F/71°C)	12-22 30-40	
Ribs 2½-4 lbs (0.9-1.5 kg)	INDIRECT Med/OFF/Med	Medium (160°F/71°C)	40-60	Grill, turning occasionally. During last few minutes brush with barbecue sauce if desired. When done, wrap in foil.
Roast, boneless tenderloin, 1 lb (0.37 kg)	DIRECT Medium	Medium (160°F/71°C)	18-22	Turn during cooking to brown on all sides.
Ham half, 8-10 lbs (3-3.7 kg)	INDIRECT Med/OFF/Med	Reheat (140°F/60°C)	2-2½ hours	Wrap entire ham in foil and put on grill without pan or drip pan.
Ham steak precooked, ½" (1.3 cm) thick	DIRECT Preheat Medium Grill Medium	Reheat (145°F/63°C)	7-10	
Hot Dogs	DIRECT Medium	Reheat (145°F/63°C)	5-10	Slit skin if desired.
Chicken				
Breast, boneless	DIRECT Medium	170°F/77°C	15-22	For even cooking, pound breast to ¾" (2.0 cm) thick.
Pieces, 2-3 lbs (0.75-1.1 kg)	DIRECT Med-Low to Medium	Breast 170°F/77°C Thigh 180°F/82°C		Start bone side down.
Lamb				
Chops and Steaks, Loin, Rib, Sirloin, 1" (2.5 cm) thick	DIRECT Medium	Med-rare (145°F/63°C) to Medium (160°F/71°C)	10-20	
1½" (3.8 cm) thick	DIRECT Medium	Med-rare (145°F/63°C) to Medium (160°F/71°C)	16-20	

FOOD	COOKING METHOD/ BURNER SETTING	INTERNAL TEMP.	TIME (total minutes)	SPECIAL INSTRUCTIONS
Fish and Seafood				
Fillet, Steaks, Chunks Halibut, Salmon, Swordfish, 8 oz (0.25 kg)	DIRECT Medium		4-6 per ½" (1.3 cm) thickness of fish	Grill, turning once. Brush grill with oil to keep fish from sticking. Remove when inside is opaque and flaky with skin easily removed.
Whole, Catfish, Rainbow Trout, 8-11 oz (0.25- 0.34 kg)	DIRECT High		5-7 per side	
Shellfish, Scallops, Shrimp	DIRECT Medium		4-8	
Turkey				
Whole breast (bone-in)	INDIRECT HI/OFF/HI	170°F/77°C	14-18 per lb (7-8 per kg)	Tent with foil until last 30 minutes of cooking time.
Half breast (bone-in)	INDIRECT Medium/OFF/Medium	170°F/77°C	25-30 per lb (11-14 per kg)	Start skin side down.
Whole, 7-12 lbs (2.6-5.4 kg)	INDIRECT HI/OFF/HI	Breast 170°F/77°C Thigh 180°F/82°C	11-16 per lb (5-7 per kg)	Less than 11 lbs. (5.0 kg)
Fresh Vegetables				
Corn on the cob	DIRECT Medium		20-25	Soak in cold water 20 minutes. Do not husk. Shake off excess water.
Eggplant	DIRECT Medium		7-10	Wash and cut into ½" (1.3 cm) slices or lengthwise. Brush with olive oil.
Onion, ½" (1.3 cm) thick	DIRECT Medium		8-20	Grill, turning once. Brush with olive oil. Put a skewer through several slices to hold together.
Potatoes, Sweet, whole	DIRECT Medium		40-70	Individually wrap in heavy-duty foil. Grill, rotating occasionally.
Baking, whole	DIRECT High		45-90	
Peppers, Roasted	DIRECT High		15-22	Wash and place on grill whole. Char skin all around. Cool in a paper bag or plastic wrap to loosen blackened skin. Peel and remove seeds.
Squash, Summer, Zucchini	DIRECT Medium		7-10	Wash and cut into ½" (1.3 cm) slices or lengthwise. Brush with olive oil.
Garlic Roasted	DIRECT Medium		20-25	Cut off top, drizzle with olive oil and wrap in double layer of foil.

OUTDOOR GRILL CARE

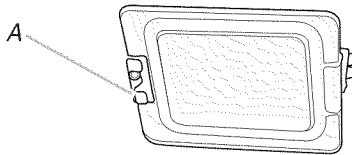
Style 1

1. Unplug grill or disconnect power.
2. To remove glass light cover, remove screw and pull out light assembly.



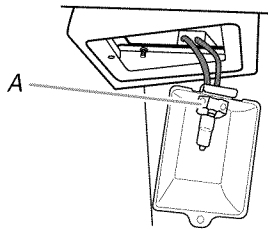
A. Screw
B. Light assembly

3. To remove the glass cover, gently pry apart the glass cover and the light housing using a flat-blade screwdriver between the glass cover and the clip.



A. Clip

4. Loosen the 2 screws in the bulb socket and pull out the bulb.

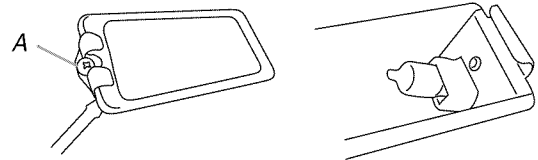


A. Screws

5. Replace bulb with a new 12-volt, 25-watt maximum, halogen bulb, using a tissue or wearing cotton gloves to handle the bulb. To avoid damaging the bulb, do not touch the bulb with bare fingers.
6. Tighten the 2 screws in the bulb socket.
7. Replace glass light cover by placing the cover into the clips and snapping into the light housing. Replace and tighten the screw.
8. Plug in grill or reconnect power.

Style 2

1. Unplug grill or disconnect power.
2. To remove glass light cover, remove screw and gently pry downward with a small flat-blade screwdriver at the left edge of the cover near the screw, and pull away from the retainer.



A. Screw

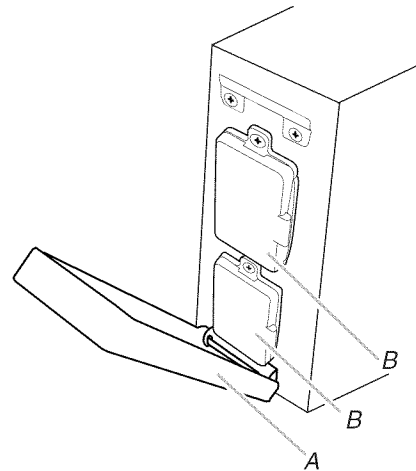
3. Remove bulb from socket.
4. Replace bulb with a new 12-volt, 10-watt maximum, halogen bulb, using a tissue or wearing cotton gloves to handle the bulb. To avoid damaging the bulb, do not touch the bulb with bare fingers.
5. Replace glass light cover by placing end without clip into the clip mounted on the grill. Snap the screw end into place and tighten the screw.
6. Plug in grill or reconnect power.

Replacing the Batteries

(on some models)

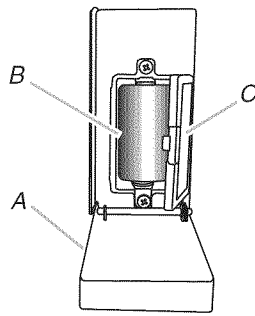
Follow these directions if the batteries need to be replaced.

1. Open the outer cover of the battery compartments, located in the grill cabinet near the right side panel.



A. Outer battery compartment cover
B. Inner battery compartment covers

2. Open the inner battery compartment. Remove battery.



A. Outer battery compartment cover
B. 1.5-volt "D" size battery
C. Inner battery compartment cover

3. Replace with alkaline 1.5-volt "D" size battery.
4. If your model has two battery compartments, repeat steps 2 and 3 for the other battery compartment.
5. Close inner compartments, cover will snap into place.
6. Close outer cover.

General Cleaning

IMPORTANT: Before cleaning, make sure all controls are off and the grill is cool. Always follow label instructions on cleaning products.

For routine cleaning, wash with soap and water using a soft cloth or sponge. Rinse with clean water and dry at once with a soft, lint-free cloth to avoid spots and streaks.

Do not use steel wool to clean the grill, as it will scratch the surface.

To avoid damage to the finish from weather, use vinyl grill cover, available from your local dealer. See "Assistance or Service" section.

STAINLESS STEEL

IMPORTANT: To avoid damage to stainless steel surfaces, do not use soap-filled scouring pads, abrasive cleaners, Cooktop Polishing Creme, steel wool, gritty wash cloths or paper towels.

Cleaners should not contain chlorine. Damage may occur.

Food spills should be cleaned as soon as entire grill is cool. Spills may cause permanent discoloration.

Cleaning Method:

- Rub in direction of grain to avoid scratching or damaging the surface.
- KitchenAid® Stainless Steel Cleaner and Polish Part Number 4396920 (not included):
See "Assistance or Service" section to order.
- Liquid detergent or all-purpose cleaner:
Rinse with clean water and dry with soft, lint-free cloth.
- Vinegar to remove hard water spots.
- Glass cleaner to remove fingerprints.

GRILL GRATES

IMPORTANT: To avoid damage to grill grates, do not use a steel or fiber scraper. Immediately after you are finished cooking, loosen food soil with a brass bristle brush. Turn all burners to HI for 10-15 minutes with the hood closed to burn off food soil. Turn off all burners, raise the hood and let grates cool. Use the brass bristle brush to remove ash from the grill grates.

When completely cool, grill racks can be removed for thorough cleaning. Clean them with a mild detergent and warm water.

For baked-on soil, prepare a solution of 1 cup (250 mL) ammonia to 1 gal. (3.75 L) water. Soak grates for 20 minutes, then rinse with water and dry completely.

WARMING SHELF

Cleaning Method:

- Liquid detergent or an all-purpose cleaner.
- Rinse with clean water and dry with soft, lint-free cloth.
- For tough spots or baked-on grease, use Heavy Duty Degreaser Part Number 31552, a commercial degreaser designed for stainless steel.
See "Assistance or Service" section to order.

IMPORTANT: Make sure gas supply is off and all control knobs are in the OFF position. Make sure the side burner is cool.

EXTERIOR

The quality of this material resists most stains and pitting, providing that the surface is kept clean, polished and covered.

- Apply stainless steel polish to all non-cooking areas before first use. Reapply after each cleaning to avoid permanent damage to surface.
- Cleaning should always be followed by rinsing with clean warm water.
- Wipe the surface completely dry with a soft cloth.
- For tough spots or baked-on grease, use Heavy Duty Degreaser Part Number 31552, a commercial degreaser designed for stainless steel.
See "Assistance or Service" section to order.

INTERIOR

Discoloration of stainless steel on these parts is to be expected, due to intense heat from the burners. Always rub in the direction of the grain. Cleaning should always be followed by rinsing with clean, warm water.

Cleaning Method:

- Liquid detergent or all-purpose cleaner.
- Rinse with clean water and dry completely with a soft, lint-free cloth.
- A heavy-duty scrub sponge can be used with mild cleaning products.
- For small, difficult-to-clean areas, use Heavy Duty Degreaser Part Number 31552, a commercial degreaser designed for stainless steel.
See "Assistance or Service" section to order.

SIDE BURNER CAPS AND GRATE

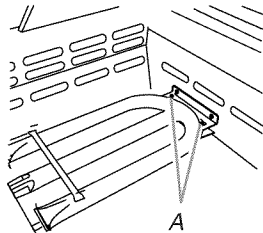
Cleaning Method:

- Clean with a brass bristle brush.
- Wash grate using mild detergent, warm water and degreaser.
- Rinse with clean water and dry with soft, lint-free cloth.
- KitchenAid Stainless Steel Cleaner and Polish Part Number 4396920 (not included):
See "Assistance or Service" section to order.

U-SHAPED BURNERS

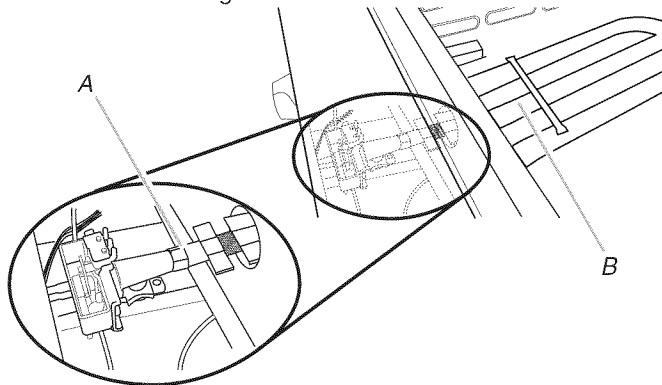
Cleaning Method:

- Clear any clogged burner ports with a straightened paper clip. Do not use a toothpick as it may break off and clog the port.
- Check and clean burner/venturi tubes.
 1. Remove grill grates and sear plates.
 2. Remove the 2 screws that hold the burner in place. Remove gas burner from the grill.



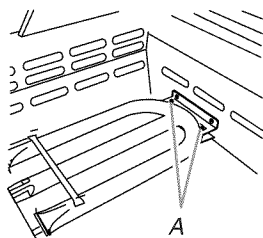
A. 2 screws

3. Use a flashlight to inspect into the gas burner through the burner inlet to ensure there is no blockage. If any obstruction is seen, use a metal coat hanger that has been straightened to clear them.
4. After inspecting the inside of gas burner for blockage, reassemble burner by sliding the middle tube of the gas burner over the gas orifice.



A. Burner/orifice connection

5. Reattach gas burner using 2 screws.



A. 2 screws

INFRARED SEAR BURNERS

Cleaning Method:

1. Light the infrared sear burner. See the "Lighting the Grill" in the "Main Grill Use" section.
2. Turn knob to HI and close the grill hood.
3. Leave the burner on high for approximately 30 minutes.
4. Turn knob to OFF and let cool completely.

5. Remove grill grate and brush off ash particles from the sear burner cover plate.
6. Replace grill grate.

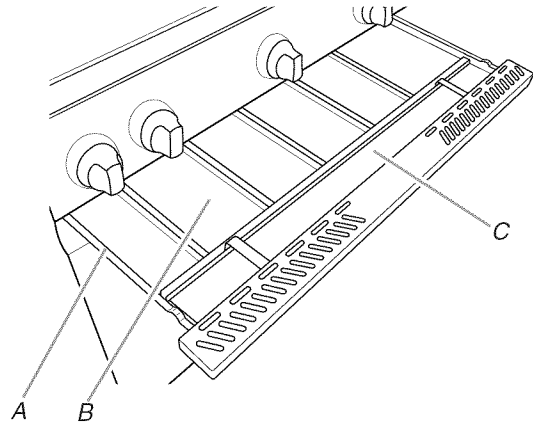
DRIP TRAY and DRIP TRAY PANS

IMPORTANT: The drip tray should only be removed when grill is completely cool.

The drip tray pans (on some models) collect grease and food particles that fall through the grill. Clean often to avoid grease buildup.

Cleaning Method:

- Pull out the drip tray to its stop position.
- Grasp the handles of the long drip tray pan and lift to remove.



A. Drip tray
B. Short drip tray pan (on some models)
C. Long drip tray pan (on some models)

- Grasp the end of a short drip tray pan, slide it forward and lift to remove.
- Repeat with the other drip tray pans.
- Empty drip tray pans and dispose of contents properly. Wipe excess grease with paper towels.
- The drip tray pans can be washed with mild detergent and warm water then rinsed and dried thoroughly, or they can be cleaned in the dishwasher.
- Remove drip tray and set on a flat surface.
- Wipe excess grease with paper towels.
- Wash with mild detergent and warm water. Rinse and dry thoroughly.
- Replace drip tray.
- Replace drip tray pans into drip tray.
- Close drip tray before using grill. The drip tray must be in place and pushed all the way in when using grill.

KNOBS AND FLANGE AREA AROUND KNOBS

IMPORTANT: To avoid damage to knobs or flange area around knobs, do not use steel wool, abrasive cleaners, or oven cleaner. Do not soak knobs.

Cleaning Method:

- Mild detergent, a soft cloth and warm water.
- Rinse and dry.

CONTROL PANEL GRAPHICS

IMPORTANT: To avoid damage to control panel graphics, do not use steel wool, abrasive cleaners or oven cleaner.

Do not spray cleaner directly onto panel.

Cleaning Method:

- Clean around the burner labels gently; scrubbing may remove printing.
- Mild detergent, soft cloth and warm water.
- Rinse and dry.

ROTISSERIE SPIT ROD AND FORKS

Cleaning Method:

- Wash with mild detergent, using a soft cloth and warm water.
- Rinse and dry.
- For stubborn areas, use a multi-purpose cleaner, a heavy-duty scrub sponge or mild abrasive cleaner.

DRAWERS

Cleaning Method:

Routine cleaning

- Paper towel and spray glass cleaner:
Make sure drawer is cool. Follow manufacturer's instructions.
- Warm, soapy water or all-purpose cleaner and a nonabrasive, plastic scrubbing pad:
Wash, wipe with clean water and dry thoroughly.

Stubborn stains and baked-on residue

Rub in direction of grain to avoid damaging.

- Mildly abrasive cleanser or stainless-steel cleaners and a damp cloth or sponge.
Wash, wipe with clean water and dry thoroughly. Repeat if necessary.

RACKS

Cleaning Method:

- Steel-wool pad and warm, soapy water:
Wash, rinse and dry thoroughly.

Drawer Slides

The drawer slides allow you to fully extend the drawer for easier cleaning. If necessary, the drawer can be removed.

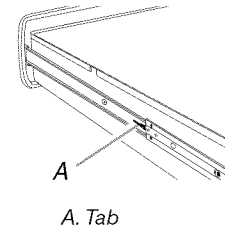
NOTE: Load capacity for the drawer and slides is 100 lbs (45 kg).

Drawer Removal

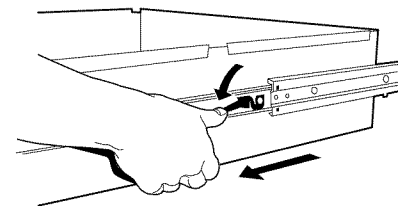
Remove all items from inside the warming drawer, and allow the warming drawer to cool completely before attempting to remove the drawer.

To Remove:

1. Open drawer to its full open position.
2. Locate the black tabs on both sides of the drawer.



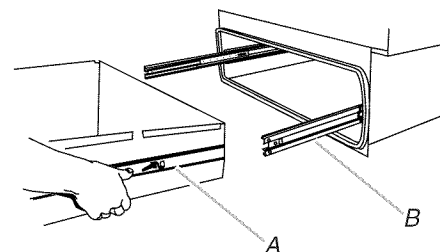
3. Press the tab down on the right side and lift tab up on the left side at the same time, then pull drawer out another inch to disengage latch.



4. Hold the drawer by its sides (not by its front). Pull it slowly all the way out.

To Replace:

1. Align the drawer glides with the receiving guides.



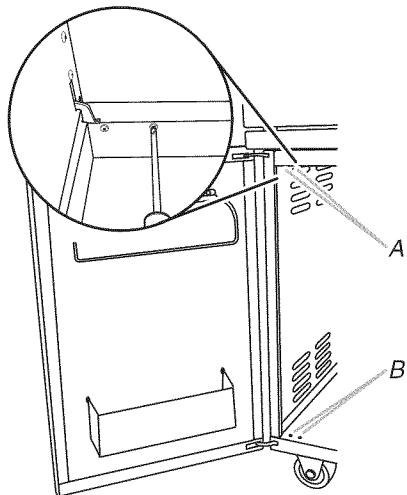
A. Drawer glides
B. Receiving guides

2. Push drawer in all the way.
3. Gently open and close the drawer to ensure it is seated properly on the guides.

Cabinet Door Alignment - Style 2 (internal hinge) Only

Your cabinet doors can be realigned if necessary.

1. Check door to determine alignment requirements.
2. Open the cabinet door.
3. Locate and loosen the 4 door hinge mounting screws ½ turn.



A. Top screws (2 - underside of frame)
B. Bottom screws (2)

4. Adjust the top or bottom of the door in the direction necessary to align the door.
5. Tighten the 4 door hinge mounting screws.
6. Close the door and check alignment.
7. Readjust the door using Steps 2 through 6 if necessary.
8. Repeat Steps 1 through 7 on the other door if necessary.

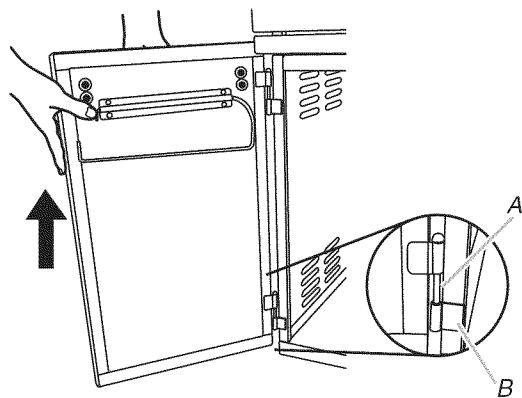
Cabinet Door Removal

The door(s) can be removed if necessary to gain access to the inside of the cabinet area below the grill.

Style 1 (external hinge pin)

To Remove the Door:

1. Open the door.
2. Lift door to slide door hinge pins from hinge brackets on cabinet.

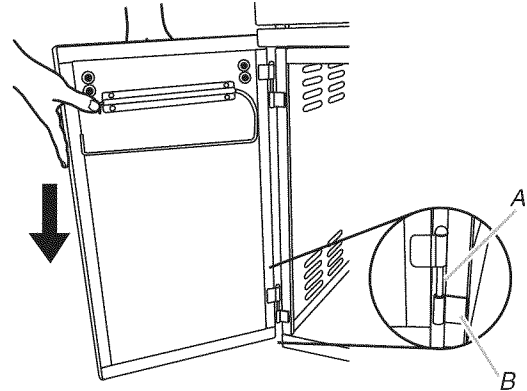


A. Door hinge pin
B. Hinge bracket

3. Repeat steps 1 and 2 for the other door if necessary.

To Replace the Door:

1. Position hinge pins on the door with the hinge brackets on the cabinet. Gently push down to slide the pins into place.



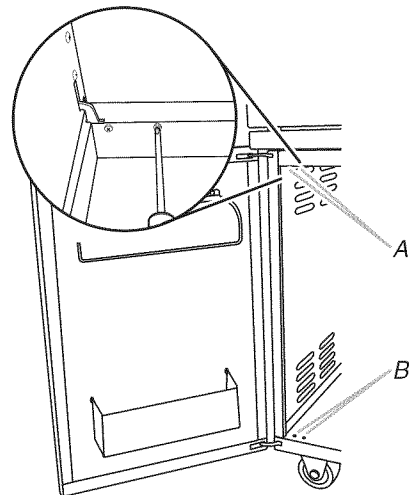
A. Door hinge pin
B. Hinge bracket

2. Repeat Step 1 for the other door if necessary.

Style 2 (internal hinge)

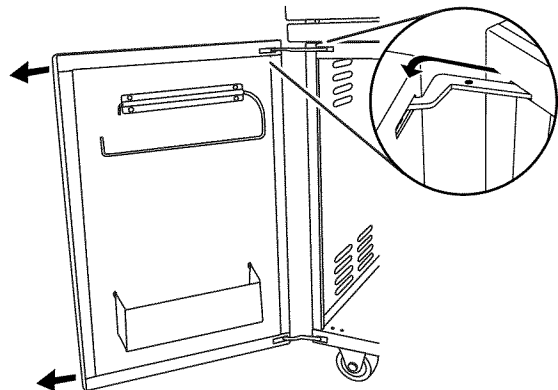
To Remove the Door:

1. Open the door to the full open position.
2. Locate and remove the 4 door hinge mounting screws



A. Top screws (2 - underside of frame)
B. Bottom screws (2)

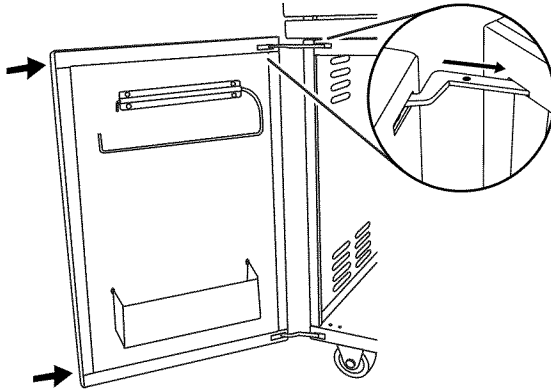
3. Pull the door away from the center to slide the door hinges out of the slots in the frame.



4. Repeat Steps 1 through 3 for the other door if necessary.

To Replace the Door:

1. Slide the door hinges into the slots in the frame and push in to seat hinges.



2. Locate the 4 hinge screw mounting holes through the top and bottom of the frame and replace the 4 screws. Do not tighten.
3. Check and adjust door then tighten the screws. See “Cabinet Door Alignment.”
4. Repeat Steps 1 through 3 for the other door if necessary.

TROUBLESHOOTING

Try the solutions suggested here first in order to avoid the cost of an unnecessary service call.

Nothing will operate

- **Is the main or regulator gas shutoff valve in the off position?**
See Installation Instructions.
- **Is the grill properly connected to the gas supply?**
Contact a trained repair specialist or see Installation Instructions.

⚠ WARNING



Electrical Shock Hazard

Use only a UL listed, 14 gauge, 3 wire extension cord approved for outdoor use, marked W-A, with a maximum length of 50 ft.

Plug into a grounded 3 prong outlet.

Do not remove ground prong.

Do not use an adapter.

Failure to follow these instructions can result in death, fire, or electrical shock.

- **Is the power supply cord unplugged?**
Plug into a grounded 3 prong outlet.
- **Has a household fuse blown, or has a circuit breaker tripped?**
Replace the fuse or reset the circuit breaker. If the problem continues, call an electrician.

- **Has the circuit breaker on the back of the grill tripped?**
Reset the circuit breaker. If the problem continues, call an electrician.

For models with electronic grill display

- **Was a Flame Time™ cycle used and all of the burner valves not turned “OFF” after the end of the cycle?**
Turn all of the burner valves to “OFF” position and then light the burner using its lighting instructions.
- **Does an E-1 show in the display?**
Turn all burner valves to their “OFF” position. Press Start/Reset button. The E-1 code should go out.
- **Does “NP” show in the display?**
Replace both 1.5 V “D” size alkaline batteries.

Drawer does not slide properly

- **Has the drawer been mounted properly on the slides?**
See “Warming Drawer Care” section.
- **Has the drawer been overloaded?**
The weight inside the drawer should not exceed 100 lbs (45 kg).
- **Is the drawer load uneven?**
Redistribute the food to balance the weight evenly.

Excessive moisture on the drawer

- **Did you preheat the drawer?**
Preheat the drawer before each use. See “Warming Drawer Use” section.
- **Is the MOIST-DRY setting correct?**
Set the MOIST-DRY slide to DRY to vent the moisture.

Cooking results not what expected

- The exterior of beef and pork may become very dark, but not burnt. This is normal. The interior will remain tender and juicy. Poultry will also darken, especially in areas not covered by skin.

ASSISTANCE OR SERVICE

Before calling for assistance or service, please check "Troubleshooting." It may save you the cost of a service call. If you still need help, follow the instructions below.

When calling, please know the purchase date and the complete model and serial number of your appliance. This information will help us to better respond to your request.

If you need replacement parts

If you need to order replacement parts, we recommend that you use only factory specified parts. These factory specified parts will fit right and work right because they are made with the same precision used to build every new KITCHENAID® appliance.

To locate factory specified parts in your area, call us or your nearest KitchenAid designated service center.

In the U.S.A.

Call the KitchenAid Customer eXperience Center toll free: **1-800-422-1230**.

Our consultants provide assistance with:

- Features and specifications on our full line of appliances.
- Installation information.
- Use and maintenance procedures.
- Accessory and repair parts sales.
- Specialized customer assistance (Spanish speaking, hearing impaired, limited vision, etc.).
- Referrals to local dealers, repair parts distributors and service companies. KitchenAid designated service technicians are trained to fulfill the product warranty and provide after-warranty service, anywhere in the United States.

To locate the KitchenAid designated service company in your area, you can also look in your telephone directory Yellow Pages.

For further assistance

If you need further assistance, you can write to KitchenAid with any questions or concerns at:

KitchenAid Brand Home Appliances
Customer eXperience Center
553 Benson Road
Benton Harbor, MI 49022-2692

Please include a daytime phone number in your correspondence.

Accessories

Vinyl Covers

27" (68.6 cm) for Grill Model Numbers KFRS271T and KFRU271V - Order Part Number 8212699

36" (91.4 cm): for Grill Model Numbers KFRS361T and KFRU361V - Order Part Number 8212700

36" (91.4 cm): for Grill Model Numbers KFRS365T and KFRU365V - Order Part Number 8212701

36" (91.4 cm): for Grill Model Numbers KFRU368T and KFRU368V - Order Part Number 8212702

48" (121.9 cm): for Grill Model Numbers KFRU488T and KFRU488V - Order Part Number 8212703

Rotisserie Kits

27" (68.6 cm): Order Part Number KFKU271TSS

36" (91.4 cm): Order Part Number KFKU361TSS

Smoker Box

Order Part Number KBDU271TSS

Positioning Rack

Order Part Number 8723277

1/2 Size Serving Pan

Order Part Number 8171421

1/3 Size Serving Pan

Order Part Number 8171422

KitchenAid® Stainless Steel Cleaner and Polish

Order Part Number 4396920

All Purpose Appliance Cleaner

Order Part Number 31682

Heavy Duty Degreaser

Order Part Number 31552

In Canada

Call the KitchenAid Canada Customer eXperience Centre toll free: **1-800-807-6777**.

Our consultants provide assistance with:

- Features and specifications on our full line of appliances.
- Use and maintenance procedures.
- Accessory and repair parts sales.
- Referrals to local dealers, repair parts distributors and service companies. KitchenAid Canada designated service technicians are trained to fulfill the product warranty and provide after-warranty service, anywhere in Canada.

For further assistance

If you need further assistance, you can write to KitchenAid Canada with any questions or concerns at:

Customer eXperience Centre
KitchenAid Canada
1901 Minnesota Court
Mississauga, Ontario L5N 3A7

Please include a daytime phone number in your correspondence.

KITCHENAID® OUTDOOR PRODUCT WARRANTY

LIMITED WARRANTY

For one year from the date of purchase, when this outdoor product is operated and maintained according to instructions attached to or furnished with the product, KitchenAid brand of Whirlpool Corporation or Whirlpool Canada LP (hereafter "KitchenAid") will pay for Factory Specified Parts and repair labor to correct defects in materials or workmanship. Service must be provided by a KitchenAid designated service company. This limited warranty is valid only in the United States or Canada and applies only when the outdoor product is used in the country in which it was purchased. Outside the 50 United States and Canada, this limited warranty does not apply. Proof of original purchase date is required to obtain service under this limited warranty.

SECOND THROUGH FIFTH YEAR LIMITED WARRANTY ON PARTS ON GRILLS ONLY

In the second through fifth years from the date of purchase when this grill is operated and maintained according to instructions attached to or furnished with the product, KitchenAid will pay for Factory Specified Parts to correct defects in materials or workmanship.

LIFETIME LIMITED WARRANTY ON STAINLESS STEEL COMPONENTS ON GRILLS ONLY

For the life of the product, when this grill is operated and maintained according to instructions attached to or furnished with the product, KitchenAid will pay for replacement of the stainless steel body housing due to defective materials or workmanship. For the life of the product, when this grill is operated and maintained according to instructions attached to or furnished with the product, KitchenAid will pay for replacement parts for the stainless steel grill burners.

ITEMS EXCLUDED FROM WARRANTY

This limited warranty does not cover:

1. Service calls to correct the installation of your outdoor product, to instruct you on how to use your outdoor product, to replace or repair house fuses, or to correct house wiring or plumbing.
2. Cosmetic damage, including scratches, dents, chips or other damage to the finish of your outdoor product, unless such damage results from defects in materials or workmanship and is reported to KitchenAid within 30 days from the date of purchase.
3. Repairs when your outdoor product is used for other than normal, single-family household use or when it is used in a manner that is contrary to published user or operator instructions and/or installation instructions.
4. Damage resulting from accident, alteration, misuse, abuse, fire, flood, acts of God, improper installation, installation not in accordance with electrical or plumbing codes, or use of consumables or cleaning products not approved by KitchenAid.
5. Conversion kit or service call for the conversion of your outdoor product from natural gas to L.P./propane or from L.P./propane to natural gas.
6. Costs associated with the removal from your home of your outdoor product for repairs. This outdoor product is designed to be repaired in the home and only in-home service is covered by this warranty.
7. Repairs to parts or systems resulting from unauthorized modifications made to the outdoor product.
8. Expenses for travel and transportation for product service if your outdoor product is located in a remote area where service by an authorized KitchenAid servicer is not available.
9. The removal and reinstallation of your outdoor product if it is installed in an inaccessible location or is not installed in accordance with published installation instructions.
10. Damage resulting from normal wear and tear of your outdoor product.
11. Outdoor products with original model/serial numbers that have been removed, altered or cannot be easily determined. This warranty is void if the factory applied serial number has been altered or removed from your outdoor product.

The cost of repair or replacement under these excluded circumstances shall be borne by the customer.

DISCLAIMER OF IMPLIED WARRANTIES; LIMITATION OF REMEDIES

CUSTOMER'S SOLE AND EXCLUSIVE REMEDY UNDER THIS LIMITED WARRANTY SHALL BE PRODUCT REPAIR AS PROVIDED HEREIN. IMPLIED WARRANTIES, INCLUDING WARRANTIES OF MERCHANTABILITY OR FITNESS FOR A PARTICULAR PURPOSE, ARE LIMITED TO ONE YEAR OR THE SHORTEST PERIOD ALLOWED BY LAW. KITCHENAID SHALL NOT BE LIABLE FOR INCIDENTAL OR CONSEQUENTIAL DAMAGES. SOME STATES AND PROVINCES DO NOT ALLOW THE EXCLUSION OR LIMITATION OF INCIDENTAL OR CONSEQUENTIAL DAMAGES, OR LIMITATIONS ON THE DURATION OF IMPLIED WARRANTIES OF MERCHANTABILITY OR FITNESS, SO THESE EXCLUSIONS OR LIMITATIONS MAY NOT APPLY TO YOU. THIS WARRANTY GIVES YOU SPECIFIC LEGAL RIGHTS, AND YOU MAY ALSO HAVE OTHER RIGHTS WHICH VARY FROM STATE TO STATE OR PROVINCE TO PROVINCE.

If outside the 50 United States and Canada, contact your authorized KitchenAid dealer to determine if another warranty applies.

If you need service, first see the "Troubleshooting" section of the Use & Care Guide. After checking "Troubleshooting," you may find additional help by checking the "Assistance or Service" section or by calling KitchenAid. In the U.S.A., call **1-800-422-1230**. In Canada, call **1-800-807-6777**.

9/07

Keep this book and your sales slip together for future reference. You must provide proof of purchase or installation date for in-warranty service.

Write down the following information about your major appliance to better help you obtain assistance or service if you ever need it. You will need to know your complete model number and serial number. You can find this information on the model and serial number label located on the product.

Dealer name _____

Address _____

Phone number _____

Model number _____

Serial number _____

Purchase date _____

SÉCURITÉ DU GRIL D'EXTÉRIEUR

Votre sécurité et celle des autres est très importante.

Nous donnons de nombreux messages de sécurité importants dans ce manuel et sur votre appareil ménager. Assurez-vous de toujours lire tous les messages de sécurité et de vous y conformer.



Voici le symbole d'alerte de sécurité.

Ce symbole d'alerte de sécurité vous signale les dangers potentiels de décès et de blessures graves à vous et à d'autres.

Tous les messages de sécurité suivront le symbole d'alerte de sécurité et le mot "DANGER" ou "AVERTISSEMENT". Ces mots signifient :

⚠ DANGER

Risque possible de décès ou de blessure grave si vous ne suivez pas immédiatement les instructions.

⚠ AVERTISSEMENT

Risque possible de décès ou de blessure grave si vous ne suivez pas les instructions.

Tous les messages de sécurité vous diront quel est le danger potentiel et vous disent comment réduire le risque de blessure et ce qui peut se produire en cas de non-respect des instructions.

⚠ DANGER

En cas de détection d'une odeur de gaz :

1. Fermer l'arrivée de gaz de l'appareil.
2. Éteindre toute flamme nue.
3. Ouvrir le couvercle.
4. Si l'odeur persiste, s'éloigner de l'appareil et appeler immédiatement le fournisseur en gaz ou les pompiers.

⚠ AVERTISSEMENT

1. Ne pas remiser ou utiliser de l'essence ou tout autre liquide ou vapeur inflammable à proximité de cet appareil ou de tout autre appareil.
2. Ne pas remiser une bouteille de gaz de pétrole liquéfié non raccordée à proximité de cet appareil ou de tout autre appareil.

Avertissements de la proposition 65 de l'État de Californie :

AVERTISSEMENT : Ce produit contient un produit chimique connu par l'État de Californie pour être à l'origine de cancers.

AVERTISSEMENT : Ce produit contient un produit chimique connu par l'État de Californie pour être à l'origine de malformations et autres déficiences de naissance.

Dans l'État du Massachusetts, les instructions d'installation suivantes sont applicables :

- Les travaux d'installation et réparation doivent être exécutés par un plombier ou tuyauteur qualifié ou licencié, ou par le personnel qualifié d'une entreprise licenciée par l'État du Massachusetts.
- Si une vanne à boisseau sphérique est utilisée, elle doit comporter une manette "T".
- Si un conduit de raccordement flexible est utilisé, sa longueur ne doit pas dépasser 3 pi.

IMPORTANT : Ce gril est conçu pour un usage à l'extérieur uniquement. Pour les grils destinés à être utilisés à des altitudes supérieures à 2000 pi (609,6 m), il est nécessaire de convertir le gicleur. Voir la section "Spécifications de l'alimentation en gaz". C'est à l'installateur qu'incombe la responsabilité de respecter les dégagements de séparation minimums, spécifiés sur la plaque signalétique des numéros de modèle/de série de l'appareil. Pour les modèles autoportants, la plaque signalétique des numéros de modèle/de série se trouve sur le côté droit à l'intérieur de la paroi du placard.

IMPORTANTES INSTRUCTIONS DE SÉCURITÉ

AVERTISSEMENT : Pour réduire le risque d'incendie, de choc électrique, de blessures corporelles ou de dommages lors de l'utilisation de l'appareil de cuisson à gaz d'extérieur, il convient d'observer certaines précautions fondamentales, notamment :

- Ne pas installer les appareils de cuisson à gaz d'extérieur (portatifs ou encastrés) dans ou sur un véhicule récréatif, une remorque portative, un bateau ou toute autre installation mobile.
- Toujours respecter les distances de séparation minimales entre l'appareil et les constructions combustibles; voir la section "Exigences d'emplacement".
- L'appareil de cuisson à gaz d'extérieur ne doit pas être situé sous une construction combustible non protégée.
- Cet appareil de cuisson à gaz d'extérieur doit être utilisé à l'extérieur uniquement; ne pas l'utiliser dans un bâtiment, un garage ou tout autre endroit clos.
- Conserver le cordon d'alimentation électrique et le tuyau d'alimentation en combustible à l'écart des surfaces chauffées.
- Maintenir la zone de l'appareil de cuisson à gaz d'extérieur à l'abri des matériaux combustibles, essence ou autres vapeurs ou liquides inflammables.
- Ne pas obstruer le flux de combustion et la ventilation. Conserver les ouvertures de ventilation de l'enceinte de la bouteille de gaz libre et dépourvues de débris.
- Inspecter le tuyau d'alimentation de la bouteille de gaz avant chaque utilisation de l'appareil de cuisson à gaz d'extérieur. Si le tuyau présente d'importants signes d'abrasion ou d'usure ou s'il est coupé, il DOIT être remplacé avant toute nouvelle utilisation de l'appareil de cuisson à gaz d'extérieur. Contacter votre marchand et utiliser uniquement les tuyaux de rechange spécifiés pour utilisation avec l'appareil de cuisson à gaz d'extérieur.
- Inspecter visuellement les flammes du brûleur. Elles doivent être bleues. Avec du gaz de pétrole liquéfié, il est normal d'observer une légère pointe jaune.
- Nettoyer le tube du brûleur/de la buse et vérifier l'absence d'insectes ou de nids d'insectes. Un tube obstrué peut entraîner un feu sous l'appareil de cuisson à gaz d'extérieur.

- La bouteille d'alimentation au gaz de pétrole liquéfié utilisée doit être :
 - construite et marquée conformément aux spécifications pour les bouteilles de gaz de pétrole liquéfié du U.S. Department of Transportation (DOT) ou de la Norme nationale du Canada, CAN/CSA-B339, Bouteilles, tubes et autres récipients pour le transport des marchandises dangereuses; et de la Commission.
 - fournie avec un dispositif de prévention de remplissage excessif.
 - fournie avec un dispositif de connexion de la bouteille de gaz compatible avec la connexion pour les appareils de cuisson à gaz d'extérieur.
 - Toujours vérifier les connexions pour identifier des fuites à chaque branchement et débranchement de la bouteille d'alimentation en gaz de pétrole liquéfié. Voir la section "Instructions d'installation".
 - Lorsque l'appareil de cuisson à gaz d'extérieur n'est pas utilisé, l'arrivée de gaz doit être fermée au niveau de la bouteille de gaz.
 - Le remisage d'un appareil de cuisson à gaz d'extérieur est autorisé seulement en cas de débranchement et de retrait de la bouteille de gaz de l'appareil.
 - Les bouteilles de gaz doivent être remisées à l'extérieur et hors de portée des enfants; elles ne doivent pas être remisées dans un bâtiment, un garage ou tout endroit clos.
 - Il est nécessaire d'utiliser le détendeur et le tuyau fournis avec l'appareil de cuisson à gaz d'extérieur. Un détendeur et un tuyau de rechange spécifiques à votre modèle sont disponibles auprès de votre marchand d'appareils de cuisson à gaz d'extérieur.
 - La bouteille de gaz doit comporter un manchon destiné à protéger le robinet de la bouteille.
 - Pour les appareils conçus pour utiliser une connexion CGA791: Placer un capuchon protecteur sur le robinet de la bouteille de gaz lorsqu'elle n'est pas utilisée. Installer uniquement le type de capuchon protecteur sur le conduit d'évacuation fourni avec la bouteille de gaz. D'autres types de capuchons ou obturateurs pourraient provoquer des fuites de propane.
- Le non-respect des instructions suivantes peut entraîner un incendie causant la mort ou des blessures graves.
- Ne pas remiser une bouteille de gaz de pétrole liquéfié de secours sous l'appareil de cuisson à gaz d'extérieur ou à proximité de celui-ci.
 - Ne jamais remplir la bouteille au-delà de 80 % de sa capacité de remplissage.

CONSERVEZ CES INSTRUCTIONS

EXIGENCES D'INSTALLATION

Outillage et pièces

Rassembler les outils et pièces nécessaires avant de commencer l'installation. Lire et suivre les instructions fournies avec les outils indiqués ici.

Outillage nécessaire

- Mètre ruban
- Petit tournevis à lame plate
- Tournevis à lame plate
- Tournevis Phillips n° 2 et n° 3
- Niveau
- Petit tournevis Philips ou tournevis à 90° avec embout à vis Philips
- Clé ou pince
- Clé à tuyauterie
- Ciseaux ou pince coupante (pour couper les attaches)
- Solution non corrosive de détection des fuites

Pièces fournies

- Ensemble détendeur/tuyau de raccordement, pour gaz de pétrole liquéfié sous pression de 11" (colonne d'eau) (raccordement à la tubulure de distribution).
- Ensemble de conversion au gaz naturel avec ensemble de détendeur de conversion au gaz naturel sous pression de 4" (colonne d'eau) (sur certains modèles)
- Bride de montage pour moteur du tournebroche (sur certains modèles)
- Moteur du tournebroche (sur certains modèles)
- Fourches du tournebroche (sur certains modèles)
- Broche du tournebroche (sur certains modèles)
- Fumoir (sur certains modèles)
- 2 ustensiles pour tiroir-réchaud (sur certains modèles)
- 1 ensemble transformateur (500 mA)/prise à une alvéole pour le moteur du tournebroche (sur certains modèles)
- 2 piles alcalines de taille "D" de 1,5 V (sur certains modèles)
- Housse de grill en vinyle (sur certains modèles)

Pièces nécessaires

- Bouteille de gaz propane de 20 lb – environ 18" (45,7 cm) de hauteur et 12" (30,5 cm) de diamètre
- Rallonge de 120 V à trois fils de calibre 14 homologuée UL pour utilisation à l'extérieur (avec marquage 14/3 W-A), d'une longueur maximale de 50 pieds (15,2 m)

Exigences d'emplacement

⚠ AVERTISSEMENT



Risque d'explosion

Ne pas remiser de réservoir à carburant dans un garage ou à l'intérieur.

Ne pas remiser un grill avec réservoir de carburant dans un garage ou à l'intérieur.

Le non-respect de ces instructions peut causer un décès, une explosion ou un incendie.

⚠ AVERTISSEMENT



Risque d'incendie

Ne pas utiliser le grill près de matériaux combustibles.

Ne pas remiser de matériaux combustibles près du grill.

Le non-respect de ces instructions peut causer un décès ou un incendie.

Sélectionner un emplacement où l'exposition au vent est faible et les passages peu nombreux. L'emplacement ne doit pas se trouver dans une zone à forts courants d'air.

Ne pas obstruer le flux de combustion et la ventilation.

Distance de séparation entre les constructions combustibles et les grills d'extérieur autoportants :

- Un minimum de 24" (58 cm) doit être maintenu entre l'avant du capot du grill, les côtés et l'arrière du grill et toute construction combustible.
- Un dégagement minimum de 24" (58 cm) doit également être maintenu entre le dessous de la surface de cuisson et toute construction combustible.

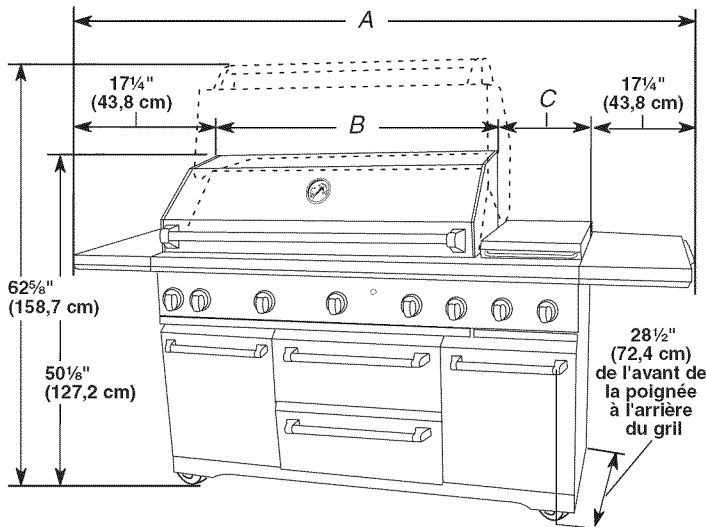
Tournebroche

Un dégagement minimum de 6" (15,2 cm) est nécessaire pour le moteur du tournebroche.

Une prise à 3 alvéoles reliée à la terre se trouve à l'arrière du grill. Voir la section "Spécifications électriques".

REMARQUE : Le tournebroche est un accessoire sur certains modèles. Voir la section "Assistance ou service" pour passer une commande.

Dimensions du produit



- A. 61 1/2" (156,2 cm) sur les modèles de 27" (68,6 cm) KFRS271T et KFRU271V
 70 1/2" (179,1 cm) sur les modèles de 36" (91,4 cm) KFRS361T, KFRU361V, KFRS365T et KFRU365V
 84 1/2" (214,6 cm) sur les modèles de 36" (91,4 cm) KFRU368T et KFRU368V avec brûleur latéral
 96 1/2" (245,1 cm) sur les modèles de 48" (121,9 cm) KFRU488T et KFRU488V avec brûleur latéral
- B. 27" (68,6 cm)
 36" (91,4 cm)
 48" (121,9 cm)
- C. Non disponible sur les modèles de 27" (68,6 cm)
 14" (35,6 cm) sur les modèles de 36" (91,4 cm) et 48" (121,9 cm)

Spécifications électriques

⚠ AVERTISSEMENT



Risque de choc électrique

Utiliser uniquement un cordon d'extension à 3 fils de calibre 14 AWG approuvé par UL pour utilisation à l'extérieur, marqué W-A, d'une longueur maximale de 50 pi.

Brancher sur une prise à 3 alvéoles reliée à la terre.

Ne pas enlever la broche de liaison à la terre.

Ne pas utiliser un adaptateur.

Le non-respect de ces instructions peut causer un décès, un incendie ou un choc électrique.

Si les codes le permettent et si on utilise un conducteur distinct de liaison à la terre, il est recommandé qu'un électricien qualifié vérifie la qualité de la liaison à la terre.

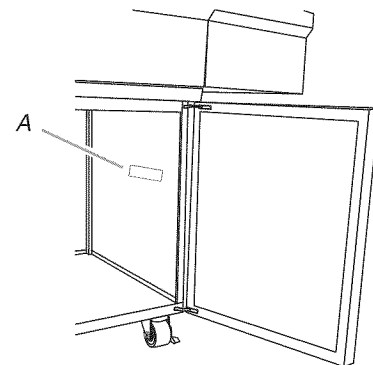
Consulter un électricien qualifié en cas de doute sur la qualité de la liaison à la terre du gril.

L'appareil doit être alimenté par un circuit de 120 V, CA seulement, 60 Hz, 15 ampères, protégé par fusible.

Il est recommandé de raccorder le gril sur un circuit distinct exclusif à cet appareil.

- Pour éviter un choc électrique, ne pas immerger les cordons ou les prises dans l'eau ou dans tout autre liquide.
- Débrancher la prise lorsque l'appareil n'est pas utilisé avant le nettoyage. Attendre le refroidissement total avant d'installer ou de retirer des pièces.
- Ne pas faire fonctionner un appareil de cuisson d'extérieur alimenté au gaz lorsque le cordon ou la prise est endommagé(e), lorsque l'appareil ne fonctionne pas correctement ou lorsqu'il a été endommagé d'une quelconque façon. Contacter le fabricant pour toute réparation.
- Ne pas laisser le cordon pendre sur le côté d'une table ou toucher des surfaces chaudes.
- Ne pas utiliser un appareil de cuisson d'extérieur à d'autres fins que celles pour lesquelles il est initialement conçu.
- Lors du raccordement, brancher d'abord l'appareil de cuisson d'extérieur alimenté au gaz, puis brancher l'appareil à une prise.
- Utiliser uniquement un circuit protégé par disjoncteur de fuite à la terre avec un appareil de cuisson d'extérieur alimenté au gaz.
- Ne pas enlever la broche de liaison à la terre ou utiliser un adaptateur à deux broches.
- Utiliser uniquement des cordons d'extension équipés d'une prise à la terre à 3 broches pour l'alimentation de l'équipement et approuvés pour l'utilisation à l'extérieur avec un étiquetage W-A.

La plaque signalétique des numéros de modèle et de série est située dans le placard du gril, sur le côté droit du placard. Voir l'illustration ci-dessous.



A. Plaque signalétique des numéros de modèle et de série

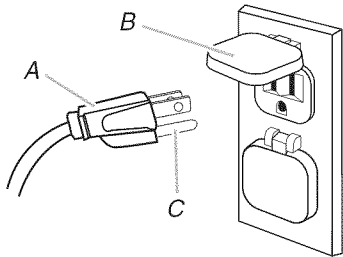
Méthode recommandée de mise à la terre

Le gril d'extérieur, une fois installé, doit être correctement relié à la terre conformément aux codes locaux en vigueur ou, en l'absence de tels codes, avec le National Electrical Code, ANSI/NFPA 70 ou le Code canadien de l'électricité, CSA C22.1.

On peut obtenir des exemplaires des normes mentionnées ci-dessus aux adresses suivantes :

CSA International
8501 East Pleasant Valley Rd.
Cleveland, Ohio 44131-5575

National Fire Protection Association
One Batterymarch Park
Quincy, Massachusetts 02269



A. Prise à 3 broches reliée à la terre
B. Prise murale polarisée d'extérieur à 3 alvéoles avec disjoncteur différentiel
C. Broche de liaison à la terre

Spécifications de l'alimentation en gaz

⚠️ AVERTISSEMENT



Risque d'explosion

Utiliser une canalisation neuve d'arrivée de gaz pour utilisation à l'extérieur approuvée par la CSA International.

Bien serrer chaque organe de connexion de la canalisation de gaz.

En cas de connexion au gaz propane, demander à une personne qualifiée de s'assurer que la pression de gaz ne dépasse pas 11 po (28 cm) de la colonne d'eau.

Par personne qualifiée, on comprend :

le personnel autorisé de chauffage,
le personnel autorisé d'une compagnie de gaz, et
le personnel d'entretien autorisé.

Le non-respect de ces instructions peut causer un décès, une explosion ou un incendie.

Observer les dispositions de tous les codes et règlements en vigueur.

IMPORTANT : L'installation doit satisfaire aux critères de tous les codes et règlements locaux. En l'absence de code local, l'installation doit satisfaire aux prescriptions de la plus récente édition du American National Standard : National Fuel Gas Code ANSI Z223.1 ou CAN/CGA B149.1.

IMPORTANT : Le gril doit être raccordé à une source d'alimentation en gaz régulée.

Le type de gaz utilisable est indiqué sur la plaque signalétique des numéros de série/modèle de l'appareil; si celui-ci ne correspond pas au type de gaz disponible, consulter le fournisseur de gaz local.

Conversion pour changement de gaz :

Ne pas entreprendre de convertir le gril pour l'utilisation d'un gaz différent de celui indiqué sur la plaque signalétique des numéros de série/modèle sans d'abord consulter le fournisseur de gaz. Utiliser l'ensemble de conversion fourni avec le gril. Voir "Conversions de gaz" pour plus d'instructions.

Détendeur

Utiliser le détendeur fourni avec ce gril. Pour un fonctionnement correct, la pression à l'entrée (alimentation) du détendeur doit être comme suit :

Gaz propane :

Pression de service : 11" (27,9 cm) (colonne d'eau)

Pression à l'entrée (alimentation) : 11" à 14" (27,9 cm à 35,5 cm) (colonne d'eau)

Gaz naturel :

Pression de service : 4" (10,2 cm) (colonne d'eau)

Pression à l'entrée (alimentation) : 7" à 14" (17,8 cm à 35,5 cm) (colonne d'eau) maximum.

En cas d'incertitude quant à la pression à l'entrée (alimentation), contacter le fournisseur de gaz local.

Puissance thermique des brûleurs en altitude

Les débits thermiques indiqués sur la plaque signalétique des numéros de série/modèle correspondent à une altitude d'utilisation inférieure à 2000 pi (609,6 m).

Lorsque l'appareil est utilisé à une altitude supérieure à 2000 pi (609,6 m), on doit réduire le débit thermique indiqué de 4 % pour chaque tranche de 1000 pi (304,8 m) au-dessus du niveau de la mer. La conversion du gicleur du brûleur est nécessaire. Voir la section "Assistance ou service" pour commander.

Test de pressurisation de la canalisation de gaz

Test de pressurisation à une pression relative supérieure à ½ lb/po² (3,5 kPa) ou 14" (35,5 cm) (colonne d'eau) :

On doit déconnecter le gril et son robinet d'arrêt de la canalisation à pressuriser pour tout test de pressurisation du système à une pression supérieure à ½ lb/po² (3,5 kPa).

Test de pressurisation à une pression relative inférieure à ½ lb/po² (3,5 kPa) égale ou inférieure à 14" (35,5 cm) (colonne d'eau) :

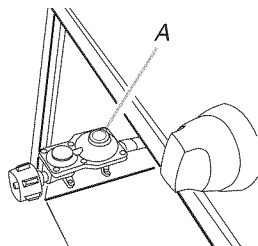
Le gril devra être isolé de la canalisation de gaz par la fermeture du robinet d'arrêt manuel individuel durant tout test de pressurisation de la canalisation de gaz à une pression égale ou inférieure à ½ lb/po² (3,5 kPa).

Exigences concernant le raccordement au gaz

Alimentation par bouteille de propane de 20 lb

Ce gril est configuré pour l'alimentation à l'aide d'une bouteille de propane de 20 lb (non fournie). L'ensemble détenteur/tuyau de raccordement flexible est fourni.

La conception de l'appareil est homologuée par CSA International pour l'alimentation au gaz propane ou pour l'alimentation au gaz naturel après conversion appropriée.

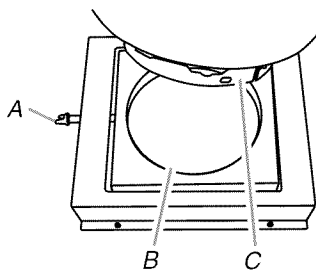


A. Ensemble détenteur/tuyau de raccordement

La bouteille de gaz propane de 20 lb doit être montée et immobilisée.

Chariot de type tiroir

1. Ouvrir le tiroir de la bouteille de gaz propane de 20 lb.
2. Placer la collerette inférieure de la bouteille de gaz propane de 20 lb dans le trou de montage du chariot.
3. Serrer la vis de blocage contre la collerette inférieure de la bouteille de gaz propane de 20 lb pour l'immobiliser.

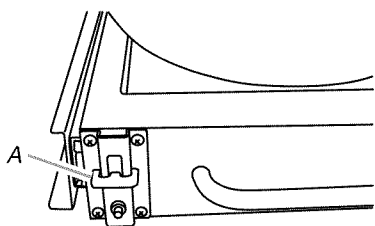


A. Vis de blocage
B. Trou pour montage
C. Collerette inférieure de la bouteille

4. Réinsérer le tiroir avec la bouteille de gaz propane de 20 lb dans le placard.

Chariot de type porte

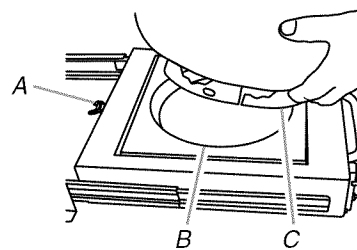
1. Ouvrir les portes du placard.
2. Appuyer sur la patte de blocage du chariot d'installation de la bouteille et extraire le chariot.



A. Patte de blocage du chariot de la bouteille de gaz propane de 20 lb

3. Placer la collerette inférieure de la bouteille de gaz propane de 20 lb dans le trou de montage du chariot.

4. Serrer la vis de blocage contre la collerette inférieure de la bouteille de gaz propane de 20 lb pour l'immobiliser.



A. Vis de blocage
B. Trou pour montage
C. Collerette inférieure

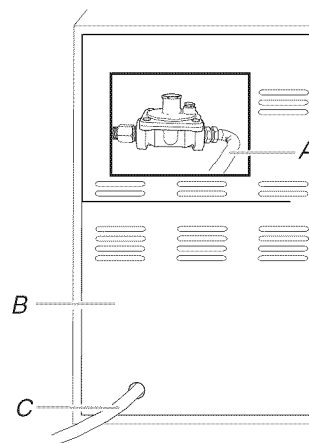
5. Réinsérer le chariot dans le placard jusqu'à ce qu'il s'enclenche.

Conversion pour l'alimentation au gaz propane par canalisation locale

L'opération de conversion doit être exécutée par un technicien qualifié. Le technicien qualifié doit installer la canalisation de gaz jusqu'à l'emplacement choisi pour l'installation du gril, en conformité avec les prescriptions de la plus récente édition du National Fuel Gas Code ANSI Z223.1/NFPA 54 et des codes locaux. Pour la conversion au gaz propane, on doit utiliser l'ensemble de conversion pour le détenteur convertible fourni avec le gril (sur certains modèles). Les modèles qui ne sont pas fournis avec l'ensemble de conversion nécessitent le régulateur convertible - pièce numéro W10132702. Voir la section "Assistance ou service" pour savoir comment commander.

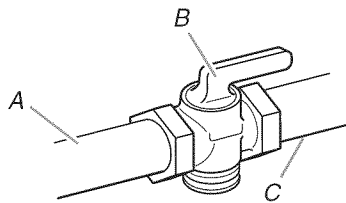
IMPORTANT : Le circuit de distribution de gaz doit être conforme aux prescriptions des codes locaux ou, en l'absence de code local, aux prescriptions de l'édition la plus récente du National Fuel Gas Code, ANSI Z223.1/NFPA 54. Un technicien qualifié doit installer la canalisation d'arrivée de propane jusqu'à l'emplacement d'installation du gril, en conformité avec les prescriptions du National Fuel Gas Code, ANSI Z223.1/NFPA 54 et des codes locaux.

Suivre les instructions pour convertir au gaz propane local dans la section "Conversions de gaz".



A. Tuyau gris neuf certifié ANSI Z21.54
B. Arrière du gril
C. Vers canalisation de propane locale

La canalisation d'alimentation doit comporter un robinet d'arrêt approuvé. Le robinet d'arrêt doit être installé au voisinage du grill et être facilement accessible pour les manœuvres d'ouverture/fermeture. Ne pas entraver l'accès au robinet d'arrêt. Le robinet d'arrêt contrôle l'alimentation en gaz du grill.



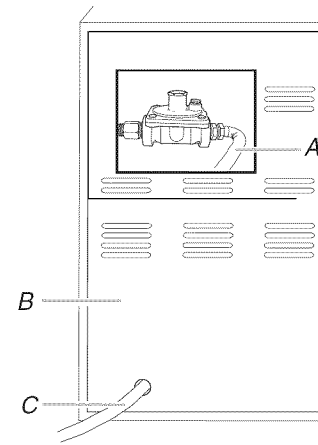
A. Canalisation de gaz
B. Robinet d'arrêt - position d'ouverture
C. Vers le grill

Conversion pour l'alimentation au gaz naturel

L'opération de conversion doit être exécutée par un technicien qualifié. Le technicien qualifié doit installer la canalisation de gaz naturel jusqu'à l'emplacement choisi pour l'installation du grill, en conformité avec les prescriptions de la plus récente édition du National Fuel Gas Code ANSI Z223.1/NFPA 54 et des codes locaux. Pour la conversion au gaz naturel, on doit utiliser l'ensemble de conversion pour gaz naturel fourni avec le grill (sur certains modèles) ou l'ensemble de conversion pour gaz naturel - pièce numéro W10118098. Voir la section "Assistance ou service" pour savoir comment commander.

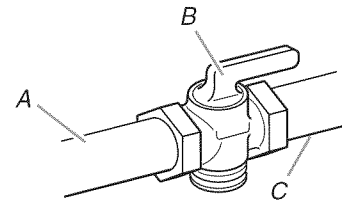
IMPORTANT : Le circuit de distribution de gaz doit être conforme aux prescriptions des codes locaux ou, en l'absence de code local, aux prescriptions de l'édition la plus récente du National Fuel Gas Code, ANSI Z223.1/NFPA 54.

Suivre les instructions pour la conversion vers le gaz naturel dans la section "Conversion de gaz" de ce manuel ou les instructions fournies avec l'ensemble de conversion pour gaz naturel - numéro de pièce W1011809.



A. Tuyau gris neuf certifié ANSI Z21.54
B. Arrière du grill
C. Vers canalisation locale de gaz naturel

La canalisation d'alimentation doit comporter un robinet d'arrêt approuvé. Le robinet d'arrêt doit être installé au voisinage du grill et être facilement accessible pour les manœuvres d'ouverture/fermeture. Ne pas entraver l'accès au robinet d'arrêt. Le robinet d'arrêt contrôle l'alimentation en gaz du grill.



A. Canalisation de gaz
B. Robinet d'arrêt - position d'ouverture
C. Vers le grill

INSTRUCTIONS D'INSTALLATION

Installation du grill d'extérieur autoportant

AVERTISSEMENT

Risque du poids excessif

Utiliser deux ou plus de personnes pour déplacer et installer le grill.

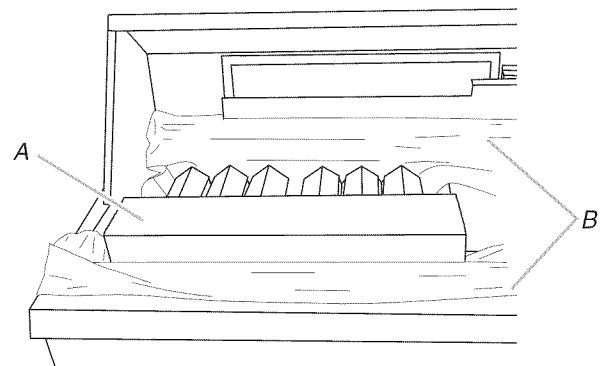
Le non-respect de cette instruction peut causer une blessure au dos ou d'autre blessure.

1. Déballez le grill. Enlever tous les matériaux d'emballage et retirer le grill de la palette de bois.
2. Déplacer le grill jusqu'à l'emplacement d'installation désiré à l'extérieur.
3. Ouvrir le capot.

Élimination des matériaux d'emballage à l'intérieur du grill

1. Couper les attaches qui fixent les grilles ensemble.
2. Retirer de l'intérieur du grill l'étagère à condiments, le plateau de réchauffage et les grilles du grill; enlever les matériaux d'emballage.

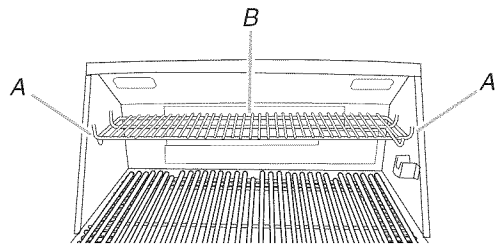
3. Retirer le bloc de mousse et les matériaux d'emballage de l'intérieur du grill.



A. Bloc de mousse
B. Matériau d'emballage de mousse

4. Réinstaller les grilles du grill.

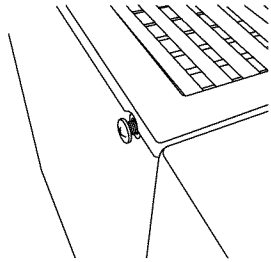
- Placer le plateau de réchauffage sur ses supports - voir l'illustration.



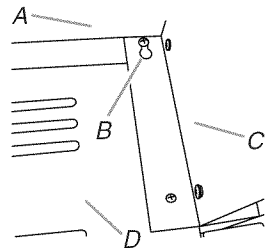
A. Supports du plateau de réchauffage
B. Plateau de réchauffage

Installation de l'étagère latérale (sur certains modèles)

- Ouvrir les portes du placard au-dessous du gril, et retirer l'emballage de l'étagère. Déballez l'étagère latérale.
- Trouver les 4 vis. Placer une vis dans chacun des 2 trous supérieurs de chaque côté du gril. Laisser les vis dépasser d'environ 1/4" (0,64 cm) sur le côté du gril.



- Installer l'étagère latérale sur le côté gauche du gril. Positionner l'étagère latérale pour engager sur les vis l'extrémité large des trous allongés. Placer l'étagère sur les 2 vis de montage; laisser descendre un peu l'étagère pour que l'extrémité étroite des trous allongés s'engage sur les vis.

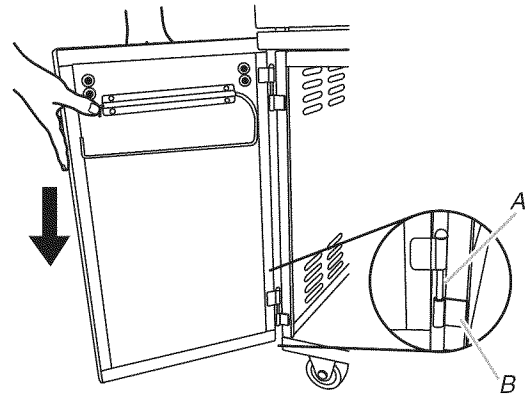


A. Sommet de l'étagère latérale
B. Trou allongé pour montage
C. Avant de l'étagère latérale
D. Côté du gril

- Installer les 2 vis du bas; serrer les vis.
- Serrer les 2 vis supérieures.

Installation des portes du placard (sur certains modèles)

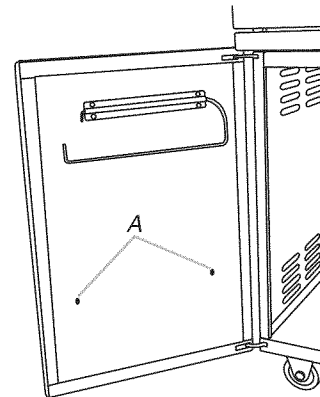
- Enlever l'emballage de mousse des 2 portes du placard.
- Positionner les broches de charnière de la porte près de la partie correspondante des charnières sur le placard. Faire pénétrer doucement chaque broche dans l'autre partie de chaque charnière pour la mise en place.



A. Broche de charnière sur la porte
B. Partie de la charnière fixée au placard

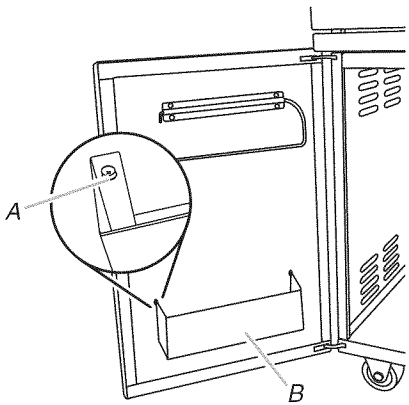
Fixation de l'étagère à condiments (sur certains modèles)

- Ouvrir la porte du placard.
- À l'aide d'un tournevis Phillips court ou d'un tournevis à 90° avec embout à vis Phillips, desserrer les 2 vis de montage du panneau interne de la porte.



A. Vis de montage

- Positionner l'étagère à condiments pour engager sur les 2 vis de montage l'extrémité large des trous allongés.



A. Vis de montage dans le trou allongé
B. Étagère à condiments

- Abaisser l'étagère à condiments jusqu'à ce que les 2 vis de montage se trouvent dans les extrémités étroites des trous allongés.
- Serrer les vis.
- Jeter/recycler tous les matériaux d'emballage.

Raccordement au gaz - Bouteille de propane de 20 lb

⚠ AVERTISSEMENT



Risque d'explosion

Bien serrer chaque organe de connexion de la canalisation de gaz.

En cas de connexion au gaz propane, demander à une personne qualifiée de s'assurer que la pression de gaz ne dépasse pas 11 po (28 cm) de la colonne d'eau.

Par personne qualifiée, on comprend :

**le personnel autorisé de chauffage,
le personnel autorisé d'une compagnie de gaz, et
le personnel d'entretien autorisé.**

Le non-respect de ces instructions peut causer un décès, une explosion ou un incendie.

Si on passe au gaz propane ou au gaz naturel, suivre les instructions de la section "Conversion de gaz".

Gaz propane :

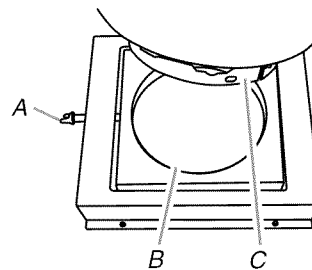
IMPORTANT : Il faut acheter séparément une bouteille de gaz propane de 20 lb.

IMPORTANT : Il est nécessaire d'utiliser l'ensemble détendeur/tuyau de raccordement fourni avec le grill. Un ensemble détendeur/tuyau de raccordement de remplacement spécifique au grill utilisé est disponible auprès de votre marchand local de grills d'extérieur.

Chariot de bouteille de type tiroir

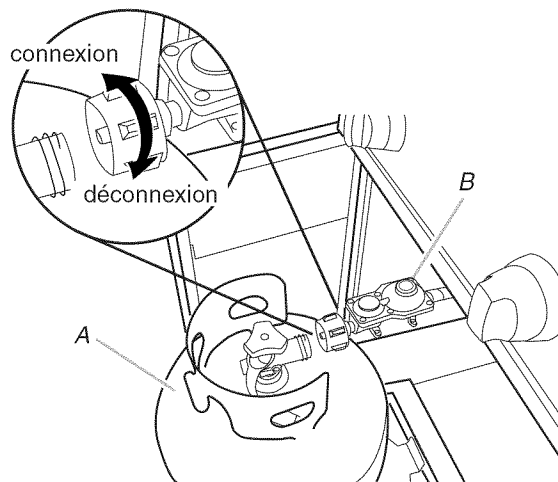
Installation de la bouteille de propane de 20 lb :

- Ouvrir le tiroir de la bouteille de propane de 20 lb.
- Placer la collerette inférieure de la bouteille de gaz propane de 20 lb dans le trou de montage du chariot.
- Serrer la vis de blocage contre la collerette inférieure de la bouteille de gaz propane de 20 lb pour l'immobiliser.



A. Vis de blocage
B. Trou pour montage
C. Collerette inférieure de la bouteille

- Visser l'ensemble détendeur/tuyau de raccordement sur la bouteille de gaz propane de 20 lb - voir l'illustration. (Pour déconnecter, fermer l'alimentation en gaz à la bouteille de propane de 20 lb, puis dévisser le détendeur/la tuyauterie de la bouteille de propane de 20 lb tel qu'illustré).



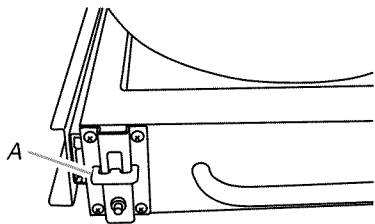
A. Bouteille de propane de 20 lb
B. Ensemble détendeur/tuyau de raccordement

- Ouvrir le robinet de la bouteille de gaz propane. Attendre quelques minutes pour que le gaz remplisse la canalisation.
- Vérifier tous les raccords en les badigeonnant d'une solution de détection des fuites non corrosive approuvée. L'apparition de bulles indique une fuite. Réparer toute fuite éventuelle.
- Réinstaller le tiroir de la bouteille de propane de 20 lb dans le placard.
- Les piles ne sont pas installées en usine. Deux piles alcalines de 1,5 volt (format "D") se trouvent dans la boîte d'accessoires sur la grille du grill. Installer les piles; suivre les instructions présentées à la section "Remplacement des piles".
- Passer à "Branchement du grill" dans cette section.

Chariot de bouteille de type porte

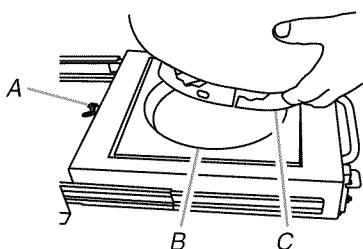
Installation de la bouteille de propane de 20 lb :

1. Ouvrir les portes du placard.
2. Appuyer sur la patte de blocage du chariot d'installation de la bouteille et extraire le chariot.



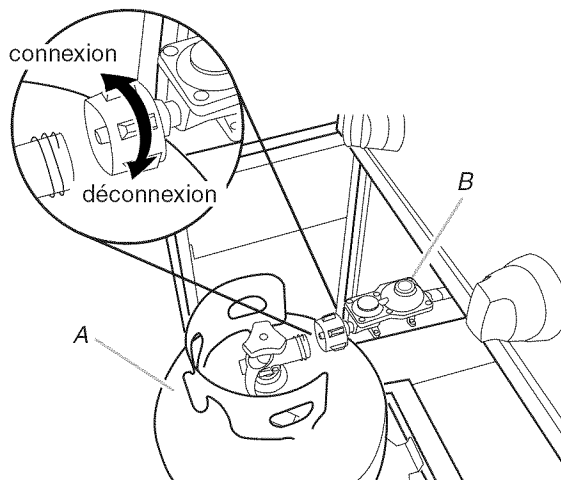
A. Patte de blocage du chariot de la bouteille de gaz propane de 20 lb

3. Placer la collerette inférieure de bouteille de gaz propane de 20 lb dans le trou de montage du chariot.
4. Serrer la vis de blocage contre la collerette inférieure de la bouteille de gaz propane 20 lb pour l'immobiliser.



A. Vis de blocage
B. Trou pour montage
C. Collerette inférieure de la bouteille

5. Visser l'ensemble détendeur/tuyau de raccordement sur la bouteille de gaz propane de 20 lb - voir l'illustration. (Pour la déconnexion, fermer l'alimentation en gaz à la bouteille de gaz propane de 20 lb, puis dévisser le détendeur pour le dégager de la bouteille de gaz propane de 20 lb, tel qu'illustré.)



A. Bouteille de gaz propane de 20 lb
B. Ensemble détendeur/tuyau de raccordement

6. Ouvrir le robinet d'alimentation en gaz. Attendre quelques minutes pour que le gaz atteigne et remplisse la canalisation de gaz.
7. Vérifier tous les raccordements en les badigeonnant d'une solution de détection des fuites non corrosive approuvée. L'apparition de bulles indique une fuite. Réparer toute fuite éventuelle.

8. Réinsérer le chariot dans le placard jusqu'à ce qu'il s'enclenche.
9. Les piles de secours pour l'affichage ne sont pas installées en usine. Deux piles alcalines de 1,5 volt (format "D") se trouvent dans la boîte d'accessoires sur la grille du grill. Installer les piles et suivre les instructions présentées à la section "Remplacement des piles".
10. Passer à la section "Branchement du grill".

Alimentation au gaz naturel ou au gaz propane local

⚠ AVERTISSEMENT



Risque d'explosion

Utiliser une canalisation neuve d'arrivée de gaz pour utilisation à l'extérieur approuvée par la CSA International.

Bien serrer chaque organe de connexion de la canalisation de gaz.

En cas de connexion au gaz propane, demander à une personne qualifiée de s'assurer que la pression de gaz ne dépasse pas 11 po (28 cm) de la colonne d'eau.

Par personne qualifiée, on comprend :

**le personnel autorisé de chauffage,
le personnel autorisé d'une compagnie de gaz, et
le personnel d'entretien autorisé.**

Le non-respect de ces instructions peut causer un décès, une explosion ou un incendie.

L'installation doit satisfaire aux critères des codes et règlements locaux. En l'absence de code local, l'installation doit être conforme aux critères du National Fuel Gas Code ANSI Z223.1, ou de la norme CAN/CGA-B149.1 Code des installations pour gaz naturel ou propane.

On peut obtenir des exemplaires des normes mentionnées ci-dessus aux adresses suivantes :

CSA International
8501 East Pleasant Valley Rd.
Cleveland, Ohio 44131-5575

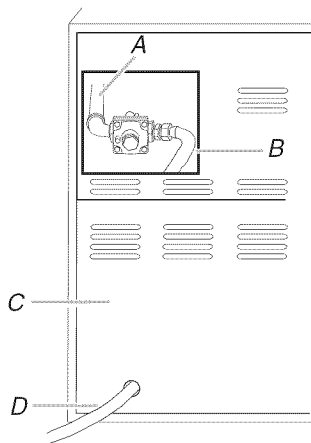
National Fire Protection Association
One Batterymarch Park
Quincy, Massachusetts 02269

1. Réaliser les raccordements de la canalisation de gaz.

On doit employer une combinaison de raccords pour raccorder le grill à la canalisation de gaz existante.

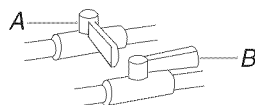
- Si les codes locaux le permettent, pour le raccordement du grill à la canalisation de gaz rigide, utiliser un conduit de raccordement flexible en acier inoxydable, homologué par CSA International pour l'utilisation à l'extérieur. On recommande l'emploi d'une canalisation de diamètre $\frac{5}{8}$ ". À l'aide d'une clé pour serrer, raccorder l'alimentation en gaz au grill. Utiliser un composé d'étanchéité des tuyauteries sur tous les filets mâles non évasés. Veiller à ne pas écraser/déformer/endommager le conduit de raccordement flexible lors d'un déplacement du grill.

- Pour l'étanchéité des jointures, utiliser un composé d'étanchéité pour tuyauterie compatible avec le gaz propane. Ne pas utiliser de ruban adhésif TEFLON[†].



A. Tuyau gris neuf certifié ANSI Z21.54
 B. Arrière du grill
 C. Vers canalisation locale de gaz naturel

2. Ouvrir le robinet d'arrêt manuel sur la canalisation de gaz. Le robinet est ouvert lorsque la manette est parallèle à la canalisation de gaz.



A. Robinet fermé
 B. Robinet ouvert

3. Vérifier tous les raccords en les badigeonnant d'une solution de détection des fuites non corrosive approuvée. L'apparition de bulles indique une fuite. Réparer toute fuite éventuelle.
4. Les piles ne sont pas installées en usine. Les piles alcalines de 1,5 volt (format "D") se trouvent dans la boîte d'accessoires sur la grille du grill. Installer les piles; suivre les instructions présentées à la section "Remplacement des piles".
5. Passer à "Branchement du grill" dans cette section.

Branchement du grill

⚠ AVERTISSEMENT



Risque de choc électrique

Utiliser uniquement un cordon d'extension à 3 fils de calibre 14 AWG approuvé par UL pour utilisation à l'extérieur, marqué W-A, d'une longueur maximale de 50 pi.

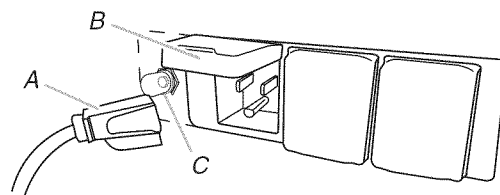
Brancher sur une prise à 3 alvéoles reliée à la terre.

Ne pas enlever la broche de liaison à la terre.

Ne pas utiliser un adaptateur.

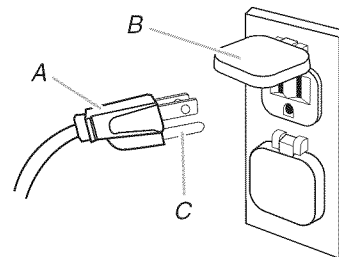
Le non-respect de ces instructions peut causer un décès, un incendie ou un choc électrique.

1. Brancher une rallonge homologuée UL à trois fils de calibre 14 pour utilisation à l'extérieur (avec marquage W-A) (longueur maximale de 50 pieds [15,2 m]) dans la prise mâle située à l'arrière du grill.



A. Rallonge homologuée UL à trois fils de calibre 14 pour utilisation à l'extérieur
 B. Prise mâle
 C. Bouton de disjoncteur

2. Brancher la rallonge dans une prise à 3 alvéoles reliée à la terre à disjoncteur différentiel.



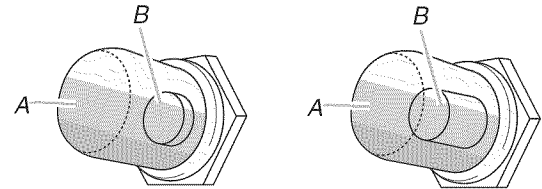
A. Prise à 3 broches reliée à la terre
 B. Prise d'extérieur polarisée à 3 alvéoles et à disjoncteur différentiel
 C. Conducteur de liaison à la terre

- Pour éviter un choc électrique, ne pas immerger les cordons ou les prises dans l'eau ou dans tout autre liquide.
- Débrancher la prise lorsque l'appareil n'est pas utilisé et avant le nettoyage. Attendre le refroidissement total avant d'installer ou de retirer des pièces.

- Ne pas faire fonctionner un appareil de cuisson d'extérieur alimenté au gaz lorsque le cordon ou la prise est endommagé(e), lorsque l'appareil ne fonctionne pas correctement ou lorsqu'il a été endommagé d'une quelconque façon. Contacter le fabricant pour toute réparation.
- Ne pas laisser le cordon pendre sur le côté d'une table ou toucher des surfaces chaudes.
- Ne pas utiliser un appareil de cuisson d'extérieur à d'autres fins que celles pour lesquelles il est initialement conçu.
- Lors du raccordement, brancher d'abord l'appareil de cuisson d'extérieur alimenté au gaz, puis brancher l'appareil à une prise.
- Utiliser uniquement un circuit protégé par disjoncteur de fuite à la terre avec un appareil de cuisson d'extérieur alimenté au gaz.

- Ne pas enlever la broche de liaison à la terre ou utiliser un adaptateur à deux broches.
- Utiliser uniquement des cordons d'extension équipés d'une prise à la terre à 3 broches pour l'alimentation de l'équipement et approuvés pour l'utilisation à l'extérieur avec un étiquetage W-A.

REMARQUE : Inspecter le disjoncteur à l'arrière du grill après avoir branché le grill dans une prise d'extérieur polarisée à 3 alvéoles et à disjoncteur différentiel le grill a subi une panne de courant électrique. Réinitialiser le disjoncteur si le bouton est en position ouverte. Enfoncer la gaine caoutchoutée et le bouton pour réinitialiser.



A. Gaine caoutchoutée
B. Bouton du disjoncteur en position de "réglage"

A. Gaine caoutchoutée
B. Bouton du disjoncteur en position "ouverte"

3. Passer à la section "Contrôle et réglage des brûleurs".

CONVERSIONS DE GAZ

REMARQUE : Ces instructions sont destinées aux modèles de grills vendus avec l'ensemble de conversion pour gaz propane ou gaz naturel. Pour les modèles qui ne sont pas vendus avec l'ensemble de conversion : pour la conversion vers le gaz propane, commander le détendeur, pièce numéro W10132702; pour la conversion vers le gaz naturel, commander l'ensemble de conversion de gaz propane à gaz naturel - pièce numéro W10118098. Utiliser les instructions de conversion fournies avec l'ensemble. Voir la section "Assistance ou service" pour savoir comment commander.

Outillage et pièces pour la conversion

Rassembler les outils et pièces nécessaires avant de commencer l'installation. Lire et suivre les instructions fournies avec les outils indiqués ici.

Outils nécessaires

- Tournevis Phillips
- Clé à douille de 10 mm ou tourne-écrou de 10 mm
- Clé à tuyauterie
- Petit tournevis à lame plate
- Clé à molette
- Pince
- Clé de 10 mm
- Produit d'étanchéité des jointures homologué pour gaz propane
- Clé à douille de 6 mm ou tourne-écrou de 6 mm

Pièces fournies

- Raccord en laiton
- Détendeur convertible gaz naturel de 4" (colonne d'eau)/gaz propane de 11" (colonne d'eau)
- Gicleurs de gaz naturel

IMPORTANT : L'opération de conversion de l'appareil doit être exécutée par un installateur qualifié. Avant d'entreprendre la conversion, fermer l'arrivée de gaz avant d'interrompre l'alimentation électrique de l'appareil.

Cet ensemble est conçu pour une utilisation à une altitude de 2 000 pi ou moins au-dessus du niveau de la mer. Pour une utilisation de l'appareil à une altitude plus élevée, contacter KitchenAid au **1-800-607-6777** au Canada.

⚠ AVERTISSEMENT



Risque d'explosion

Utiliser une canalisation neuve d'arrivée de gaz pour utilisation à l'extérieur approuvée par la CSA International.

Bien serrer chaque organe de connexion de la canalisation de gaz.

En cas de connexion au gaz propane, demander à une personne qualifiée de s'assurer que la pression de gaz ne dépasse pas 11 po (28 cm) de la colonne d'eau.

Par personne qualifiée, on comprend :

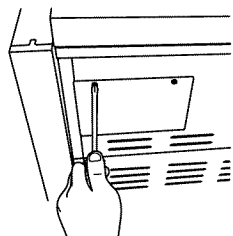
le personnel autorisé de chauffage,
le personnel autorisé d'une compagnie de gaz, et
le personnel d'entretien autorisé.

Le non-respect de ces instructions peut causer un décès, une explosion ou un incendie.

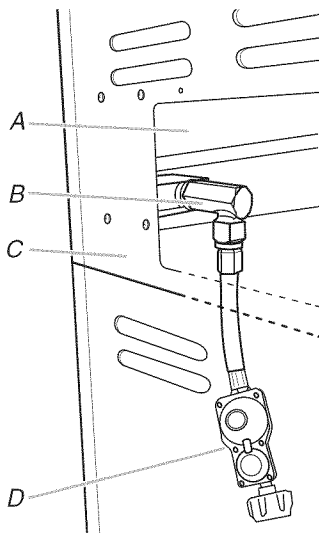
Conversion au gaz propane local

Installation du détendeur

1. Fermer le robinet d'arrêt de la canalisation principale d'alimentation en gaz.
2. Débrancher le gril ou déconnecter la source de courant électrique.
3. Débrancher la bouteille de gaz propane de 20 lb (le cas échéant).
4. Fermer le robinet de commande de chaque brûleur.
5. Ôter le couvercle arrière et les 2 vis.



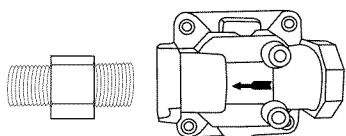
6. Utiliser une clé à molette pour démonter le détendeur/tuyau de raccordement pour propane du raccord en laiton. Utiliser une clé à molette pour démonter le raccord en laiton du robinet d'arrêt.



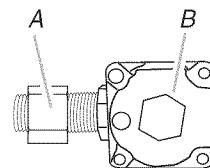
A. Tubulure de distribution
B. Raccord en laiton
C. Arrière du gril
D. Ensemble détendeur/tuyau de raccordement

7. Appliquer un composé d'étanchéité des tuyauteries sur le filetage du raccord en laiton. Employer un produit d'étanchéité des jointures homologué pour une utilisation avec gaz propane.
8. Utiliser une clé à molette pour installer le raccord en laiton (fourni) sur le robinet d'arrêt.

REMARQUE : La flèche sur le détendeur doit être orientée vers le raccord en laiton.

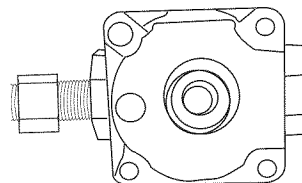


9. Utiliser une clé à tuyauterie pour installer le détendeur convertible. Une fois fixé, le chapeau de laiton doit être orienté vers le haut.

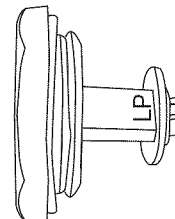


A. Raccord en laiton
B. Détendeur convertible

10. Pour configurer le détendeur de l'appareil pour l'alimentation au propane, utiliser une clé à molette et démonter le chapeau de laiton du détendeur convertible.



11. Examiner la tige sur le chapeau de laiton. Les lettres "NAT" doivent être visibles à l'extrémité de la tige de plastique la plus éloignée du chapeau de laiton.
12. Séparer la tige du chapeau, inverser la position de la tige, et réinsérer la tige dans le chapeau de telle manière que les lettres "LP" soient maintenant visibles à l'extrémité de la tige la plus éloignée du chapeau de laiton.



13. Utiliser une clé à molette pour réinstaller le chapeau sur le détendeur.

Effectuer les raccordements au gril

Raccordement à l'alimentation en gaz propane locale

1. Utiliser une clé à tuyauterie pour connecter un conduit de raccordement homologué de 1/2" (1,3 cm) entre l'entrée du détendeur et la source de gaz propane et veiller à respecter les prescriptions de tous les codes locaux applicables. Lorsque c'est nécessaire, appliquer sur les filetages un composé d'étanchéité homologué pour utilisation avec gaz propane. Le circuit d'arrivée de gaz doit comporter un robinet d'arrêt manuel homologué facilement accessible à proximité du gril.
2. Ouvrir l'arrivée de gaz du gril.
3. Vérifier tous les raccordements en les badigeonnant d'une solution de détection des fuites non corrosive approuvée. L'apparition de bulles indique une fuite. Veiller à éliminer toute fuite détectée.

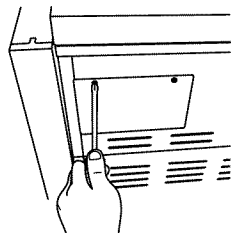
Enregistrer la conversion

Sur la dernière page du guide d'utilisation et d'entretien, inscrire "Converti pour l'alimentation au gaz propane locale". Enregistrer également la date de la conversion, le nom du technicien/de la compagnie qui a exécuté la conversion.

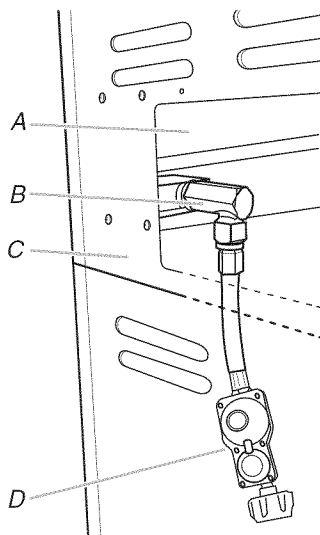
Conversion de gaz propane à gaz naturel

Installation du détendeur

1. Fermer le robinet d'arrêt principal de la canalisation de gaz.
2. Débrancher le grill ou déconnecter la source de courant électrique.
3. Débrancher la bouteille de gaz propane de 20 lb (le cas échéant).
4. Fermer le robinet de commande de chaque brûleur.
5. Ôter le couvercle arrière et les 2 vis.



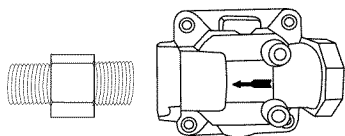
6. Utiliser une clé à molette pour démonter le détendeur/tuyau de raccordement pour propane du raccord en laiton. Utiliser une clé à molette pour démonter le raccord en laiton du robinet d'arrêt.



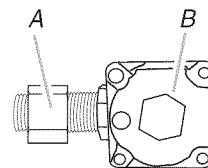
A. Tubulure de distribution
B. Raccord en laiton
C. Arrière du grill
D. Ensemble détendeur/tuyau de raccordement

7. Appliquer un composé d'étanchéité des tuyauteries sur le filetage du raccord en laiton. Employer un produit d'étanchéité des jointures homologué pour une utilisation avec gaz propane.
8. Utiliser une clé à molette pour installer le raccord en laiton (fourni) sur le robinet d'arrêt.

REMARQUE : La flèche sur le détendeur doit être orientée vers le raccord en laiton.

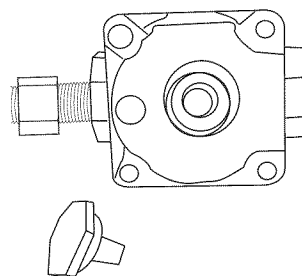


9. Utiliser une clé à tuyauterie pour installer le détendeur convertible. Une fois fixé, le chapeau de laiton doit être orienté vers le haut.

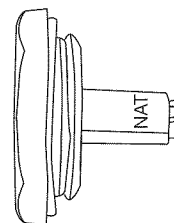


A. Raccord en laiton
B. Détendeur convertible

10. Pour s'assurer que le détendeur est réglé pour le gaz naturel, utiliser une clé à molette et ôter le chapeau de laiton du détendeur de l'appareil.



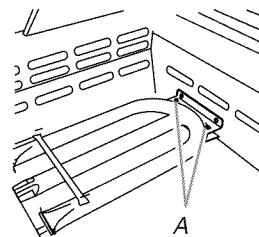
11. Examiner la tige sur le chapeau de laiton. Si les lettres "NAT" ne sont pas visibles à l'extrémité de la tige de plastique la plus éloignée du chapeau de laiton, séparer la tige du chapeau, inverser la position de la tige et réinsérer la tige dans le chapeau de façon à ce que les lettres "NAT" soient visibles à l'extrémité de la tige la plus éloignée du chapeau de laiton.



12. Réinstaller le chapeau sur le détendeur convertible.

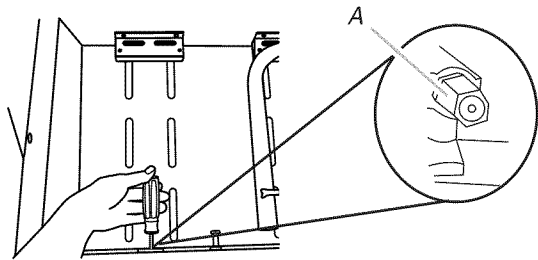
Remplacement des gicleurs du robinet du brûleur principal du grill

1. Retirer manuellement toutes les grilles, la plaque associée aux brûleurs à infrarouge et les brûleurs.
2. Enlever les 2 vis qui maintiennent le brûleur en place. Ôter le brûleur à gaz du grill.



A. Deux vis

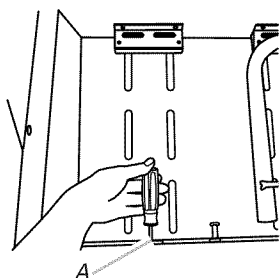
- Utiliser une clé à douille de 6 mm ou un tourne-écrou de 6 mm pour retirer le gicleur de laiton à l'extrémité de chaque robinet de gaz.



A. Gicleur de brûleur du gril

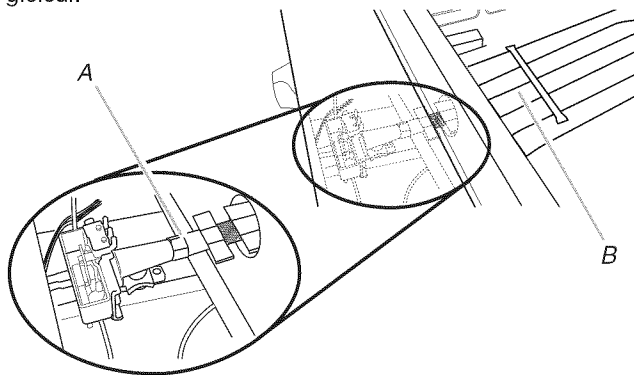
- Installer les nouveaux gicleurs de 2,34 mm fournis avec cet ensemble à l'extrémité du robinet de gaz. Utiliser une clé à douille de 6 mm ou tourne-écrou de 6 mm pour serrer.

REMARQUE : Les chiffres 2,34 gravés sur le gicleur indiquent sa taille.



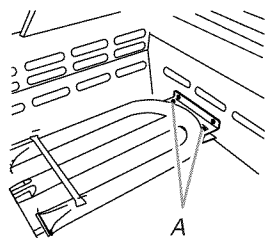
A. Gicleur de brûleur du gril

- Réinstaller le brûleur : engager le tube central (buse) sur le gicleur.



A. Raccordement brûleur/gicleur
B. Brûleur

- Réinstaller le brûleur à gaz à l'aide de 2 vis.

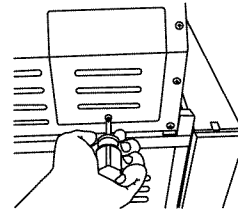


A. Deux vis

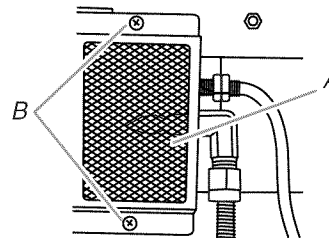
- Répéter ce processus pour chaque brûleur du gril.

Remplacement du/des gicleur(s) du brûleur à infrarouge du tournebroche

- Ôter la vis et le couvercle de l'ouverture d'accès à l'arrière du capot du gril à l'aide d'un tournevis Phillips.

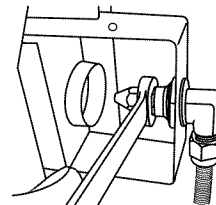


- Utiliser un tournevis Phillips pour ôter les 2 vis fixant la grille de protection au brûleur.



A. Grille de protection
B. Deux vis

- Utiliser une clé de 10 mm pour démonter le gicleur de laiton situé à l'extrémité du conduit d'arrivée de gaz.



- Pour les modèles avec un brûleur de tournebroche :**

Installer le gicleur de 1,9 mm fourni avec cet ensemble à l'extrémité du conduit d'alimentation. Utiliser une clé de 10 mm pour serrer.

- Pour les modèles avec 2 brûleurs de tournebroche :**

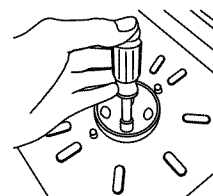
Installer le gicleur de 1,55 mm fourni avec l'ensemble à l'extrémité du conduit d'alimentation. Utiliser une clé de 10 mm pour serrer.

REMARQUE : Les chiffres 1,9 mm ou 1,55 mm gravés sur le gicleur indiquent sa taille.

- Remettre en place la grille de protection et la fixer à l'aide des 2 vis retirées à l'étape 2.
- Répéter ce processus pour chaque brûleur arrière.

Remplacement des gicleurs du brûleur latéral (pour les modèles dotés d'un brûleur latéral)

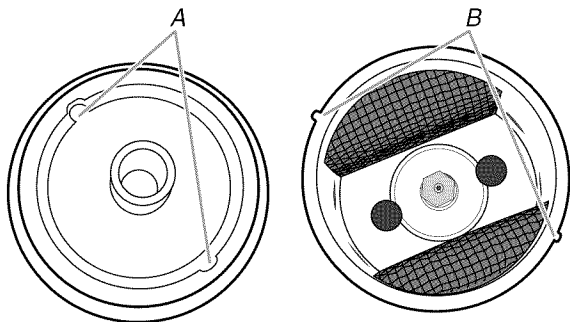
- Enlever les grilles de brûleur latéral.
- Ôter les chapeaux de brûleur. Les chapeaux sont fixés à la base du brûleur. Tourner et soulever les chapeaux des brûleurs pour les retirer.
- Démonter les gicleurs de laiton de l'intérieur de la base du brûleur - utiliser une clé à douille de 10 mm ou un tourne-écrou de 10 mm.



4. Installer les nouveaux gicleurs de 2,1 mm fournis dans cet ensemble - utiliser une clé à douille de 10 mm ou un tourne-écrou de 10 mm.

REMARQUE : Les chiffres 2,1 gravés sur le gicleur indiquent sa taille.

5. Répéter ce processus pour l'autre brûleur.
6. Réinstaller la partie supérieure et les chapeaux de brûleur. Aligner les fentes au bas de la partie supérieure du brûleur avec les onglets sur la base du brûleur et tourner jusqu'à ce que la partie supérieure du brûleur soit fixé à la base. On doit sentir que la partie supérieure glisse dans la fente.

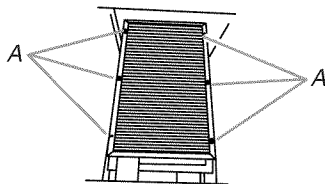


A. Fentes de la partie supérieure du brûleur
B. Onglets de la base du brûleur

7. Réinstaller les grilles du brûleur latéral.

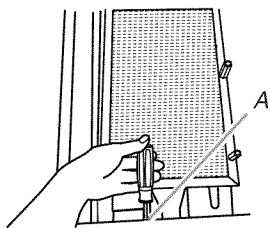
Remplacement des gicleurs du brûleur à infrarouge (pour les modèles dotés d'un brûleur à infrarouge)

1. Ôter les vis du couvercle du brûleur à infrarouge. Conserver les vis et le couvercle à part.



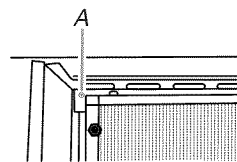
A. Vis du couvercle du brûleur à infrarouge

2. Ôter les vis de montage de l'allumeur du brûleur.
3. Desserrer/détacher la plaque du brûleur à infrarouge située près de l'allumeur.



A. Vis de montage de l'allumeur

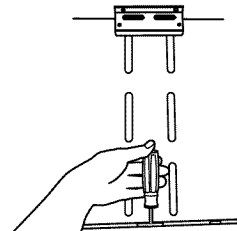
4. Ôter les vis de montage du brûleur à infrarouge.



A. Vis de montage du brûleur à infrarouge

5. Soulever le brûleur à infrarouge pour le séparer du grill.
6. Démontez le gicleur - utiliser une clé à douille de 6 mm ou tourne-écrou de 6 mm. Installer le nouveau gicleur de 2,34 mm fourni.

REMARQUE : Les chiffres 2,34 gravés sur le gicleur indiquent sa taille.



7. Réinstaller le brûleur à infrarouge. Veiller à écarter suffisamment l'allumeur pour pouvoir placer correctement le brûleur. Visser les vis de montage à l'aide d'un tournevis Phillips.
8. Utiliser un tournevis Phillips pour réinstaller l'allumeur et la plaque du brûleur à infrarouge.
9. Réinstaller le couvercle du brûleur à infrarouge. Utiliser un tournevis Phillips pour visser les vis de montage.

Raccordement au gaz naturel et recherche des fuites

1. Raccorder le tuyau d'alimentation homologué 1/2" (1,3 cm) à l'entrée du détendeur de la source de gaz naturel - utiliser une clé à tuyauterie; respecter les prescriptions de tous les codes locaux applicables. Lorsque c'est nécessaire, appliquer sur les filetages un composé d'étanchéité homologué pour une utilisation avec gaz propane. Le circuit d'arrivée de gaz doit comporter un robinet d'arrêt manuel (homologué) facilement accessible à proximité du grill.
2. Ouvrir l'arrivée de gaz.
3. Effectuer une recherche des fuites sur chaque connexion - utiliser une solution homologuée de détection des fuites, non corrosive. L'apparition de bulles indique une fuite. Réparer toute fuite éventuelle.

Enregistrement de la conversion

1. La plaque signalétique de l'appareil est située à l'intérieur du placard du grill, sur le côté droit. Utiliser un marqueur à encre permanente pour cocher la case de texte à côté de "Natural gas" (gaz naturel) et rayer "LP - Propane".

Sur la dernière page du Guide d'utilisation et d'entretien, inscrire "Converti pour l'alimentation au gaz naturel". Enregistrer également la date de la conversion, le nom du technicien/nom de la compagnie qui a exécuté la conversion.

REMARQUE : Placer les gicleurs pour propane dans le sachet de plastique et avec les documents fournis avec l'appareil, pour pouvoir les réutiliser ultérieurement.

Contrôle et réglage des brûleurs

Les brûleurs ont été testés et réglés à l'usine pour un fonctionnement efficace. Cependant de légères modifications du réglage de l'admission d'air et du débit thermique minimum peuvent être nécessaires du fait de variations de la pression de distribution du gaz disponible et d'autres conditions.

On recommande que tout réglage des brûleurs soit exécuté par une personne qualifiée.

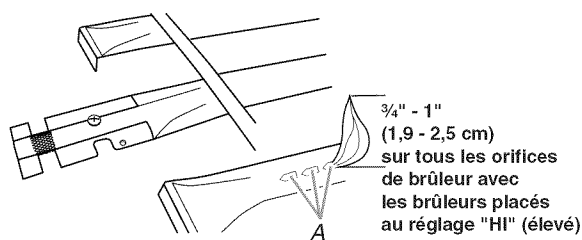
REMARQUE : Il n'est pas possible de modifier le réglage du brûleur du tournebroche.

Pour contrôler et régler les flammes sur les brûleurs du gril, on doit enlever la grille et les plaques associées au brûleur à infrarouge.

Caractéristiques des flammes sur les brûleurs

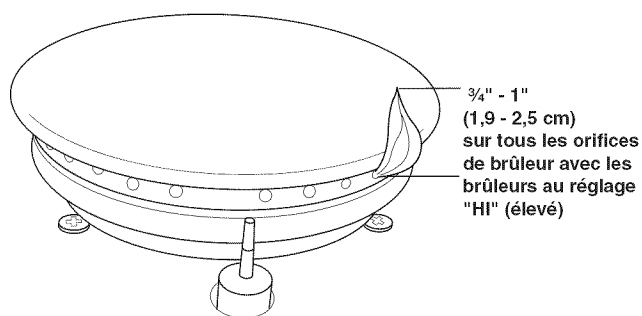
Les flammes sur les brûleurs du gril et brûleurs latéraux (sur certains modèles) devraient présenter une teinte bleue et une forme stable, sans bruit excessif ni séparation entre flamme et brûleur (les flammes produites par le propane comportent une pointe légèrement jaune). Une teinte jaune des flammes indique une déficience d'air. Si la combustion est bruyante ou si les flammes se séparent du brûleur, il y a un excès d'air. La présence modérée d'une teinte jaune à l'extrémité des flammes lorsque le brûleur est utilisé au débit thermique maximum est acceptable dans la mesure où il n'y a pas de formation de dépôt de carbone ou de suie.

Brûleur principal



A. Orifices de brûleur

Brûleur latéral

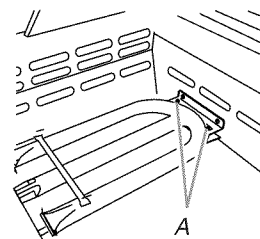


Vérifier que les brûleurs à tester ne sont pas obstrués par des souillures, des débris, des nids d'insectes, etc.; nettoyer au besoin. Si les brûleurs sont propres, ajuster l'admission d'air au besoin.

IMPORTANT : Avant de régler l'admission d'air sur un brûleur, laisser le brûleur refroidir complètement.

Processus de réglage :

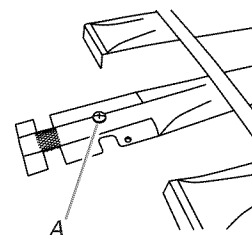
1. Allumer le gril - voir les instructions à la section "Utilisation du gril d'extérieur".
2. Observer les flammes pour déterminer si le brûleur nécessite un réglage et pour noter la forme des flammes.
3. Fermer le robinet et laisser le gril et les brûleurs refroidir complètement.
4. Ôter les grilles du gril et les plaques du brûleur à infrarouge.
5. Enlever les 2 vis qui maintiennent le brûleur en place. Ôter le brûleur à gaz du gril.



A. 2 vis

6. Si les flammes présentent une teinte jaune (pénurie d'air), faire tourner la vis de réglage de l'admission d'air dans le sens antihoraire.

Si la combustion est bruyante ou si les flammes se séparent du brûleur (excès d'air), faire tourner la vis de réglage de l'admission d'air dans le sens horaire.



A. Vis de réglage de l'admission d'air

Lors des réglages, dans un sens ou dans l'autre, modifier la taille de l'orifice d'admission d'air de $\frac{1}{8}$ " (3,2 mm) à $\frac{1}{4}$ " (6,4 mm).

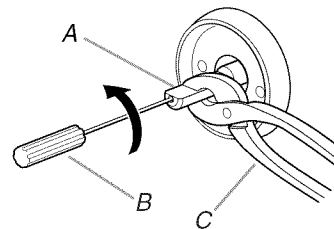
7. Réinstaller le brûleur, les plaques du brûleur à infrarouge et les grilles.
8. Allumer le gril - voir les instructions à la section "Utilisation du gril d'extérieur". Voir "Caractéristiques des flammes sur les brûleurs".

Réglage pour le débit thermique minimum

Si le brûleur s'éteint lorsqu'il est réglé pour le débit thermique minimum (position "LO"), on doit effectuer un réglage particulier.

1. Fermer le robinet et laisser le gril et les brûleurs refroidir complètement.
2. Ôter les grilles du gril et les plaques du brûleur à infrarouge.
3. Allumer le gril - voir les instructions à la section "Utilisation du gril d'extérieur".
4. Placer le brûleur à la position correspondant au débit thermique minimum et ôter le bouton.
5. Immobiliser la tige de réglage du robinet avec une pince et insérer un petit tournevis à lame plate dans la tige creuse.
6. Observer les flammes sur le brûleur et faire tourner doucement le tournevis dans le sens antihoraire.

7. Régler pour obtenir des flammes stables de taille minimum.



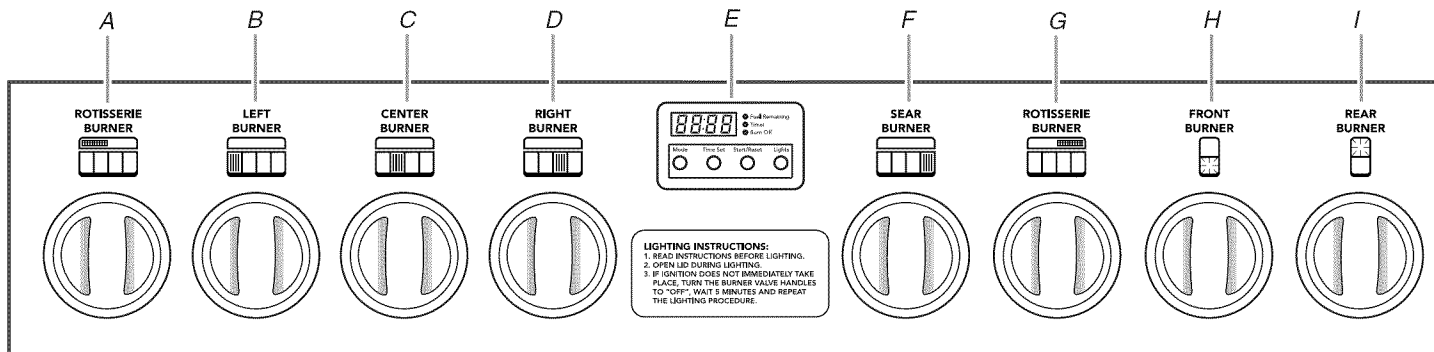
A. Tige de réglage du robinet
B. Petit tournevis à lame plate
C. Pince

8. Réinstaller le bouton sur le robinet et éteindre le brûleur.
9. Répéter les étapes 3 à 8 pour chaque brûleur au besoin.
10. Après le refroidissement des brûleurs, réinstaller les plaques du brûleur à infrarouge et les grilles.

UTILISATION DU GRIL D'EXTÉRIEUR

Ce manuel couvre plusieurs modèles différents. Le gril que vous avez acheté peut comporter toutes les caractéristiques énumérées ou seulement certaines d'entre elles. Les emplacements et aspects des caractéristiques illustrées ci-dessous peuvent ne pas correspondre à ceux de votre modèle.

Tableau de commande



A. Bouton de commande du brûleur gauche du tournebroche

B. Bouton de commande du brûleur gauche du gril

C. Bouton de commande du brûleur central du gril

D. Bouton de commande du brûleur droit du gril

E. Afficheur électronique du gril (sur certains modèles)

Bouton d'éclairage (sur certains modèles)

F. Bouton de commande du brûleur à infrarouge

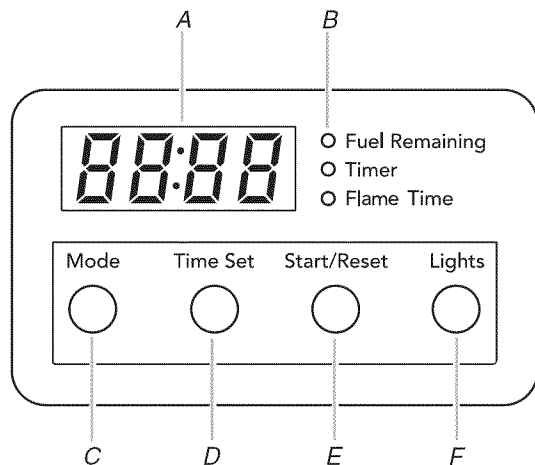
G. Bouton de commande du brûleur droit du tournebroche

H. Bouton de commande du brûleur latéral avant

I. Bouton de commande du brûleur latéral arrière

AFFICHEUR ÉLECTRONIQUE DU GRIL

sur certains modèles



- A. Afficheur de minuterie
B. Témoins lumineux de Mode
C. Bouton de sélection de Mode
D. Bouton de réglage de durée
E. Bouton Start/Reset (démarrage/réinitialisation)
F. Bouton de mise en marche/arrêt des lampes du capot

Afficheur

L'afficheur se met en marche lorsque le brûleur à gaz est allumé. L'afficheur se règle par défaut à Fuel Remaining (carburant restant).

L'afficheur se met également en marche lorsqu'on appuie sur le bouton Mode, Timer (minuterie) ou Start/Reset (démarrage/réinitialisation). Les informations affichées resteront par défaut pour le mode du témoin lumineux allumé.

La zone d'affichage s'efface 10 minutes après la dernière pression d'un bouton (excepté pour le bouton d'éclairage).

Si l'affichage ne s'allume pas ou si "NP" ou "E1" s'affichent, voir la section "Dépannage".

Start/Reset (démarrage/réinitialisation)

Le bouton Start/Reset met en marche le programme Timer (minuterie) ou Flame Time™. Ce bouton arrête et réinitialise également ces caractéristiques.

Mode

Le bouton Mode sélectionne les caractéristiques sur le panneau de commande.

Lorsque le grill n'est pas allumé et que le bouton Mode est actionné, il affichera uniquement les informations des Modes 1 et 2. Le grill doit être allumé pour que le Mode 3 soit activé.

Mode 1 - Caractéristique Fuel Remaining (carburant restant)

La caractéristique Fuel Remaining affiche une quantité calculée de temps (heures et minutes) pendant laquelle le grill peut rester allumé en fonction du taux de consommation de gaz en cours et avant que la bouteille de propane de 20 lb ne soit vide.

Le restant de gaz peut être contrôlé lorsque le grill est éteint.

Pour vérifier le restant de gaz avec le grill éteint :

1. Appuyer sur le bouton Mode jusqu'à ce que le témoin indicateur de "Fuel Remaining" s'affiche. "00:00" apparaît sur l'affichage. Après 10 secondes, une durée restante d'utilisation de carburant apparaîtra sur l'afficheur.

Pour vérifier le restant de gaz avec les brûleurs du grill allumés :

1. Appuyer sur le bouton Mode jusqu'à ce que le témoin indicateur de "Fuel Remaining" s'affiche. "00:00" apparaît sur l'affichage. Après 10 secondes, une durée restante d'utilisation de carburant apparaîtra sur l'afficheur.
2. Le temps restant d'utilisation de gaz sera recalculé automatiquement 7 à 10 minutes après l'allumage du grill.

REMARQUE : Le temps recalculé peut augmenter lorsque le grill est utilisé sur les réglages moyens et faibles car la consommation de gaz est inférieure.

Lorsque le niveau de la bouteille de propane de 20 lb est faible :

1. Le témoin lumineux "Fuel Remaining" clignote lorsque le poids en gaz est inférieur à 2,64 lb (1,2 kg).
2. Lorsque le poids en gaz est inférieur à 1,76 lb (0,8 kg), l'affichage de carburant restant est de 00:00 et un signal sonore retentit deux fois toutes les 20 secondes pendant cinq minutes. Le robinet d'arrêt ne se ferme pas, à moins que le mode Flame Time™ ne soit sélectionné.

Mode 2 - Minuterie

La minuterie peut être réglée en heures et minutes jusqu'à concurrence de 12 heures et 59 minutes et procède à un compte à rebours de la durée réglée.

Réglage :

1. Appuyer sur le bouton Mode jusqu'à ce que le témoin lumineux de la minuterie s'affiche.
2. Appuyer sur le bouton de réglage de la minuterie pour augmenter la durée par incréments de 1 minute ou appuyer et maintenir la pression sur le bouton Time Set (réglage de la durée) pour augmenter la durée rapidement.
3. Lorsque la durée souhaitée est réglée, appuyer une fois sur le bouton Start/Reset pour démarrer le compte à rebours. Lorsque la durée est terminée, des signaux sonores de rappel retentissent.
4. Appuyer sur le bouton Start/Reset pour réinitialiser la minuterie ou annuler les signaux sonores de rappel.

REMARQUE : La minuterie continue le compte à rebours jusqu'à ce que la durée réglée soit terminée ou jusqu'à ce qu'on ait appuyé sur le bouton Start/Reset pour annuler la minuterie.

Mode 3 - Caractéristique Flame Time™

La caractéristique Flame Time™ éteint automatiquement l'alimentation en gaz des brûleurs 10 minutes après la fin de la durée programmée. Cette caractéristique peut être réglée pour 1 à 60 minutes.

Flame Time™ peut être utilisée pour que le grill continue de chauffer pendant une durée programmée pour la cuisson au grill ou pour le brûlage par forte chaleur des grilles.

Pour l'option brûlage par forte propane de 20 lb

Avec le couvercle fermé et les brûleurs principaux en position HI, les résidus des grilles principales brûlent. Après l'extinction des grilles et leur refroidissement, les grilles peuvent être frottées pour enlever plus facilement les résidus. Le temps recommandé pour le brûlage est de 45 minutes.

Pour l'option Timed Grill "ON" (cuisson au grill minutée)

Pour régler la durée de cuisson au grill, suivre les mêmes étapes que pour le brûlage mais n'allumer que les brûleurs que l'on souhaite utiliser et ajuster le bouton du brûleur au réglage désiré. Le capot peut être en position ouverte ou fermée selon les préférences individuelles pour le degré de cuisson au grill.

Pour le réglage du mode Flame Time™ pour le brûlage avec forte chaleur :

1. Allumer tous les brûleurs principaux, les régler en position HI et fermer le capot.
2. Appuyer sur le bouton Mode jusqu'à ce que le témoin indicateur de Flame Time™ s'affiche.
3. Appuyer sur le bouton Time Set (réglage de durée) pour programmer la durée de cuisson au grill souhaitée. Le temps recommandé pour le brûlage est de 45 minutes.
4. Appuyer sur le bouton Start/Reset pour démarrer le compte à rebours de la caractéristique Flame Time™. Lorsque la durée est écoulée (00:00), les signaux sonores de rappel retentissent.
 - Si on appuie sur le bouton Start/Reset dans les 10 minutes après que la minuterie de Flame Time™ n'affiche 00:00, le robinet d'arrêt ne se ferme pas automatiquement. La minuterie de Flame Time™ peut être réinitialisée et continuer le brûlage ou la cuisson au grill minutée, elle reprend le compte à rebours de la nouvelle durée programmée.
 - Si l'on n'appuie pas sur le bouton Start/Reset dans les 10 minutes après que la minuterie de Flame Time™ n'affiche 00:00, le robinet d'arrêt se ferme automatiquement et l'affichage Flame Time™ s'éteint. Si on appuie sur le bouton Mode, "E1" apparaît sur l'afficheur s'il reste au moins un robinet ouvert. Le signal sonore retentit une fois. Si on appuie sur le bouton Mode une seconde fois, le temps restant d'utilisation de carburant s'affiche.
 - Si les robinets sont fermés alors que la minuterie du mode Flame Time™ est en cours, ceci stoppe et conserve les données en cours. Si on appuie sur le bouton Start/Reset lorsque les robinets sont de nouveau ouverts, la minuterie de Flame Time™ continue le compte à rebours à partir des dernières données enregistrées.
5. Appuyer sur le bouton Start/Reset pour annuler cette caractéristique ou les signaux sonores de rappel.

REMARQUE : Tous les robinets des brûleurs doivent être fermés avant de pouvoir allumer le grill après l'utilisation d'un programme de Flame Time™.

Lorsque le niveau de la bouteille de propane est faible :

1. Le témoin indicateur "Fuel Remaining" clignote lorsque le poids en gaz est inférieur à 2,64 lb (1,2 kg).
2. Lorsque le poids en gaz est inférieur à 1,76 lb (0,8 kg), le robinet d'arrêt se ferme instantanément et "E1" apparaît sur l'afficheur. Le témoin lumineux du mode Flame Time™ s'allume.
3. Si le poids en gaz est inférieur à 1,76 lb (0,8 kg), le mode Flame Time™ ne s'active pas si sélectionné.

Éclairage

1. Appuyer sur le bouton d'éclairage pour allumer/éteindre les lampes à l'intérieur du capot du grill (position "On" ou "Off").

REMARQUE : Il faut que l'alimentation électrique soit branchée pour que les lampes sous la hotte puissent s'allumer. Si les lampes ne fonctionnent pas, voir la section Entretien du grill d'extérieur pour changer les ampoules.

Utilisation du grill d'extérieur

⚠ AVERTISSEMENT



Risque d'explosion

Ne pas remiser de réservoir à carburant dans un garage ou à l'intérieur.

Ne pas remiser un grill avec réservoir de carburant dans un garage ou à l'intérieur.

Le non-respect de ces instructions peut causer un décès, une explosion ou un incendie.

⚠ AVERTISSEMENT



Risque d'incendie

Ne pas utiliser le grill près de matériaux combustibles.

Ne pas remiser de matériaux combustibles près du grill.

Le non-respect de ces instructions peut causer un décès ou un incendie.

⚠ AVERTISSEMENT

Risque d'empoisonnement alimentaire

Ne pas laisser des aliments reposer plus d'une heure avant ou après la cuisson.

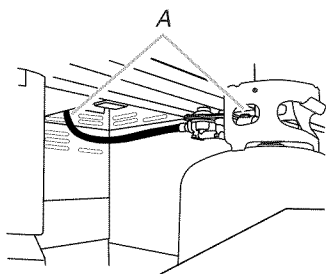
Le non-respect de cette instruction peut causer un empoisonnement alimentaire ou une maladie.

Inspection du tuyau de raccordement, entre le grill et la bouteille de gaz propane de 20 lb

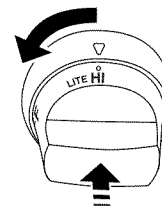
Avant chaque utilisation, inspecter l'ensemble détendeur/tuyau de raccordement.

1. Ouvrir le tiroir de droite et faire glisser vers l'extérieur le chariot de la bouteille de gaz propane de 20 lb.
2. Inspecter l'intégralité du tuyau de raccordement et l'ensemble détendeur/tuyau de raccordement; rechercher coupures, abrasions ou usure excessive.
3. Si nécessaire, remplacer l'ensemble détendeur/tuyau de raccordement avant d'utiliser le grill.

Contactez le marchand qui a vendu l'appareil pour la commande des tuyaux de remplacement spécifiques au gril utilisé.



A. Ensemble détendeur/tuyau de raccordement



3. Vous verrez l'allumeur s'allumer ou entendrez le "déclat" de l'allumage (selon le modèle utilisé). Lorsque le brûleur est allumé, relâcher le bouton; tourner le bouton de commande au réglage désiré.
4. Répéter ce processus pour chaque brûleur à allumer.

IMPORTANT : Si un brûleur ne s'allume pas immédiatement, ramener le bouton du robinet à la position d'arrêt OFF et attendre 5 minutes avant une nouvelle tentative.

Contrôle des plateaux d'égouttement

Ouvrir le tiroir d'égouttement et examiner les plateaux d'égouttement afin de vérifier qu'ils sont exempts de graisse ou tout autre liquide. Nettoyer le tiroir d'égouttement et les plateaux d'égouttement afin d'éviter une accumulation de graisse et d'autres liquides.

De l'eau peut s'accumuler dans le tiroir et dans les plateaux d'égouttement si le gril n'est pas couvert lorsqu'il n'est pas utilisé.

Voir Tiroir d'égouttement dans la section "Nettoyage général" pour savoir comment vider et nettoyer le tiroir et les plateaux d'égouttement.

Lorsque l'on utilise le gril, le tiroir d'égouttement doit être bien en place et complètement enfoncé.

Préparation de l'alimentation en gaz

1. Ouvrir complètement le capot. Ne pas allumer les brûleurs alors que le capot est fermé.
2. Vérifier que le bouton de chaque robinet de gaz est à la position de fermeture OFF.

Ouvrir l'arrivée de gaz

1. Gril d'extérieur autoportant, avec bouteille de gaz propane de 20 lb : Ouvrir lentement le robinet de la bouteille.

REMARQUE : En cas d'activation d'un dispositif de limitation du débit de gaz, le gril peut ne pas s'allumer. Si le brûleur du gril parvient à s'allumer, la taille des flammes sera réduite, de même que le débit thermique. Fermer le robinet de la bouteille de gaz propane de 20 lb et tous les robinets du gril et attendre 30 secondes. Après la fermeture du robinet de la bouteille, ouvrir très lentement le robinet de la bouteille et attendre 5 secondes avant de tenter d'allumer un brûleur.

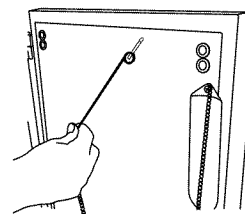
2. Gril d'extérieur avec source de gaz autre qu'une bouteille de gaz propane de 20 lb : Ouvrir le robinet d'arrêt manuel sur la canalisation de gaz. Le robinet est ouvert lorsque la manette est parallèle à la canalisation de gaz.

Allumage du brûleur du gril et du brûleur à infrarouge

1. Ne pas se pencher au-dessus du gril.
2. Choisir le brûleur à allumer. Enfoncer et faire tourner le bouton de commande du brûleur du gril pour le placer à la position LITE/HI (allumage/élevée); maintenir le bouton enfoncé.

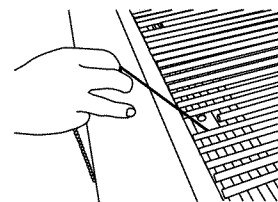
Allumage manuel du brûleur principal du gril et des brûleurs à infrarouge

1. Ne pas se pencher au-dessus du gril.
2. Ôter le porte-allumette (voir l'illustration suivante) et fixer une allumette sur la boucle.

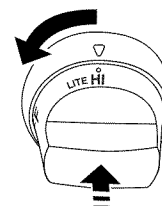


Grils autoportants - porte ou tiroir du placard du côté droit

3. Frotter l'allumette pour l'allumer.
4. Introduire l'allumette entre la grille du gril et l'une des ouvertures de la plaque du brûleur à infrarouge.



5. Pour le brûleur le plus proche de l'allumette, enfoncer et faire tourner le bouton du robinet jusqu'à la position LITE/HI. Le brûleur s'allume immédiatement. Lorsque le brûleur est allumé, tourner le bouton jusqu'au réglage désiré.



6. Répéter les étapes 3 à 5 pour chaque brûleur principal.
7. Retirer l'allumette; réinstaller le porte-allumette à l'intérieur du tiroir ou de la porte du placard.

IMPORTANT :

Si un brûleur ne s'allume pas immédiatement, ramener le bouton du robinet à la position d'arrêt OFF et attendre 5 minutes avant une nouvelle tentative.

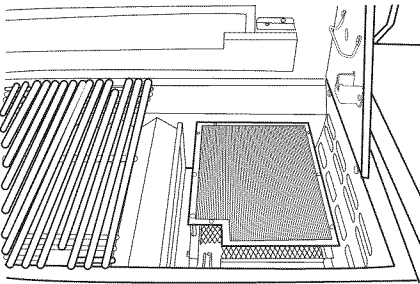
Si un brûleur ne peut s'allumer lors d'une tentative manuelle, contacter le Centre d'eXpérience de la clientèle de KitchenAid. Voir la section "Assistance ou service".

Utilisation du brûleur à infrarouge

(sur certains modèles)

Le brûleur à infrarouge produit une chaleur intense qui saisit rapidement la viande. Ceci permet une meilleure rétention de la saveur et des jus, tandis que la surface extérieure de la viande absorbe la fumée et les arômes générés par la vaporisation des gouttes de graisse qui tombent sur le brûleur. On obtient ainsi une viande croustillante à l'extérieur, mais qui est également tendre et juteuse à l'intérieur.

- Préchauffer le brûleur à infrarouge pendant 5 minutes.
- Vérifier que chaque morceau de viande est complètement décongelé; enlever tout excès de graisse avant de procéder à la cuisson au grill.
- Laisser le brûleur fonctionner au débit thermique maximum (position HI) lorsqu'on place les aliments sur le grill.
- Utiliser la chaleur du brûleur à infrarouge pour saisir la viande pendant 1 à 2 minutes de chaque côté, puis transférer la viande sur le grill principal pour poursuivre la cuisson au degré de cuisson désiré.



REMARQUE : L'illustration présente l'appareil sans les grilles. Chaque grille doit être en place lors de l'utilisation du brûleur à infrarouge.

Utilisation du brûleur latéral

(sur certains modèles)

⚠ AVERTISSEMENT



Risque de brûlures

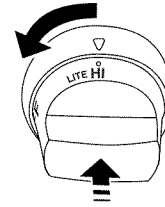
La flamme du brûleur ne doit pas dépasser du bord du récipient de cuisson.

Le non-respect de cette instruction peut causer des brûlures.

Allumage du brûleur latéral

1. Retirer le capot de protection du brûleur latéral. Ne pas allumer un brûleur lorsque le capot est en place.
2. Ne pas se pencher au-dessus du grill.

3. Enfoncer et tourner le bouton de commande à la position LITE/HI (allumage/élevée); le maintenir enfoncé.

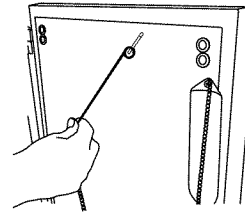


4. Vous verrez l'allumeur s'allumer ou entendrez le "déclat" de l'allumage (selon le modèle utilisé). Lorsque le brûleur est allumé, relâcher le bouton; tourner le bouton de commande au réglage désiré.
5. Répéter ce processus pour chaque brûleur à allumer.

IMPORTANT : Si un brûleur ne s'allume pas immédiatement, ramener le bouton du robinet à la position d'arrêt OFF et attendre 5 minutes avant une nouvelle tentative.

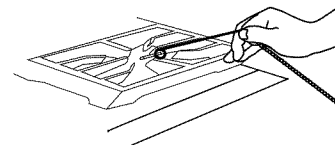
Allumage manuel du brûleur latéral

1. Ne pas se pencher au-dessus du grill.
2. Ôter le porte-allumette (voir l'illustration suivante) et fixer une allumette sur la boucle.

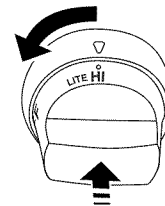


Grills autoportants - tiroir ou porte du côté droit du placard

3. Frotter l'allumette pour l'allumer.
4. Guider l'allumette vers le brûleur que l'on souhaite allumer.



5. Pour le brûleur le plus proche de l'allumette, enfoncer et faire tourner le bouton du robinet jusqu'à la position LITE/HI. Le brûleur s'allume immédiatement. Lorsque le brûleur est allumé, tourner le bouton jusqu'au réglage désiré.



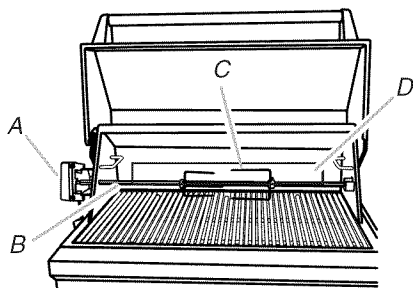
6. Répéter les étapes 3 à 5 pour chaque brûleur.
7. Retirer l'allumette; réinstaller le porte-allumette à l'intérieur du tiroir ou de la porte du placard.

IMPORTANT :

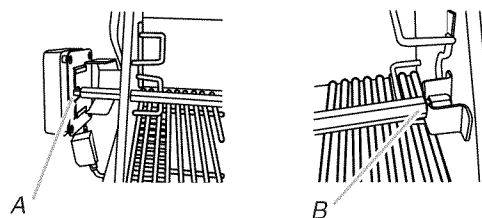
Si un brûleur ne s'allume pas immédiatement, ramener le bouton du robinet à la position d'arrêt OFF et attendre 5 minutes avant une nouvelle tentative.

Si un brûleur ne peut s'allumer lors d'une tentative manuelle, contacter le Centre d'expérience de la clientèle de KitchenAid. Voir la section "Assistance ou service".

Utilisation du tournebroche (accessoire en option sur certains modèles)



A. Moteur du tournebroche
B. Tige de la broche
C. Fourche du tournebroche
D. Brûleur du tournebroche



A. Extrémité pointue de la tige de la broche
B. Extrémité crantée de la tige de la broche

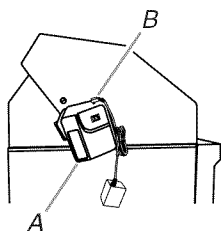
- Vérifier que l'aliment est centré avec le brûleur du tournebroche. Si ce n'est pas le cas, desserrer les écrous à oreilles, repositionner l'aliment et serrer à nouveau les écrous à oreilles.

Pour des résultats de cuisson optimaux, ne pas utiliser les brûleurs principaux du grill en cas d'utilisation du tournebroche. Le système de tournebroche est conçu pour cuire les aliments par l'arrière avec une chaleur intense, infrarouge qui saisit la viande.

REMARQUE : Pour éviter d'endommager le produit en dehors des périodes d'utilisation du tournebroche, retirer le moteur et le transformateur de 500 mA et les remettre à l'intérieur. Ôter la tige de la broche et les fourches. Conserver hors de portée des enfants.

Utilisation :

- Retirer le plateau de réchauffage.
- Monter le moteur du tournebroche sur la bride de montage du grill. Le positionner fermement dans les encoches de la bride de support. Brancher la prise à une broche du transformateur de 500 mA dans le moteur du tournebroche.



A. Moteur du tournebroche
B. Cordon d'alimentation à une broche

- Pour charger la tige de la broche, faire glisser l'une des fourches du tournebroche sur la tige de la broche avec les pointes orientées vers l'intérieur.
- Enfoncer la tige de la broche dans le centre de l'aliment, puis faire glisser la seconde fourche du tournebroche.
- Centrer l'aliment et les fourches du tournebroche sur la tige de la broche et serrer les écrous à oreilles sur les fourches du tournebroche. Si nécessaire, sécuriser les parties d'aliments qui risquent de se détacher avec de la ficelle de boucher uniquement.
- Une fois que l'aliment est placé sur la tige de la broche, placer l'extrémité pointue de la tige à travers le trou du côté gauche du grill et dans le moteur du tournebroche, puis abaisser l'extrémité crantée de la tige de la broche sur la bride de support du côté opposé.

⚠ AVERTISSEMENT



Risque de choc électrique

Brancher sur une prise à 3 alvéoles reliée à la terre.

Ne pas enlever la broche de liaison à la terre.

Ne pas utiliser un adaptateur.

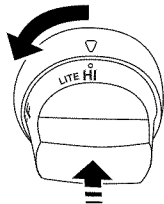
Ne pas utiliser un câble de rallonge.

Le non-respect de ces instructions peut causer un décès, un incendie ou un choc électrique.

- Brancher dans une prise à 3 alvéoles reliée à la terre à l'arrière du grill.
 - Pour éviter un choc électrique, ne pas immerger les cordons ou les prises dans l'eau ou dans tout autre liquide.
 - Débrancher la prise lorsque l'appareil n'est pas utilisé et avant le nettoyage. Attendre le refroidissement total avant d'installer ou de retirer des pièces.
 - Ne pas faire fonctionner un appareil d'extérieur alimenté au gaz lorsque le cordon ou la prise est endommagé(e), lorsque l'appareil ne fonctionne pas correctement ou lorsqu'il a été endommagé d'une quelconque façon. Contacter le fabricant pour toute réparation.
 - Ne pas laisser le cordon pendre sur le côté d'une table ou toucher des surfaces chaudes.
 - Ne pas utiliser un appareil de cuisson d'extérieur à d'autres fins que celles pour lesquelles il est initialement conçu.
 - Lors du raccordement, brancher d'abord l'appareil de cuisson d'extérieur alimenté au gaz, puis brancher l'appareil à une prise.
 - Avec un appareil de cuisson d'extérieur alimenté au gaz, utiliser uniquement un circuit protégé par disjoncteur de fuite à la terre.
 - Ne pas enlever la broche de liaison à la terre ou utiliser un adaptateur à deux broches.
- Mettre en marche le moteur du tournebroche et allumer le brûleur du tournebroche. Voir la section suivante "Allumage du brûleur du tournebroche".

Allumage du brûleur du tournebroche

1. Ne pas se pencher au-dessus du gril.
2. Enfoncer et tourner le bouton de commande à la position LITE/HI (allumage/élevée). Vous verrez l'allumeur s'allumer ou entendrez le "déclat" de l'allumage (selon le modèle utilisé).

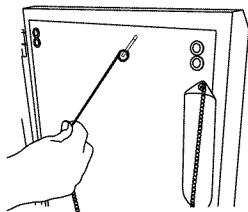


3. Après l'allumage du brûleur du tournebroche, maintenir la pression sur le bouton pendant 10 secondes supplémentaires, relâcher ensuite le bouton et le brûleur restera allumé.

IMPORTANT : Si le brûleur du tournebroche ne s'allume pas immédiatement, tourner le bouton du brûleur à OFF (arrêt) et attendre 5 minutes avant d'allumer de nouveau.

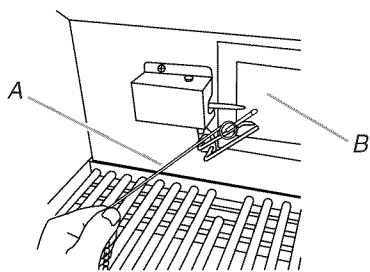
Allumage manuel du brûleur du tournebroche

1. Ne pas se pencher au-dessus du gril.
2. Ôter le porte-allumette (voir l'illustration suivante) et fixer une allumette sur la boucle.



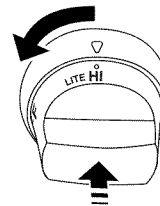
Grils autoportants - tiroir ou porte du placard du côté droit

3. Frotter l'allumette pour l'allumer.
4. Approcher doucement l'allumette du brûleur du tournebroche.



A. Porte-allumette
B. Brûleur du tournebroche

5. Enfoncer et tourner le bouton de commande à la position LITE/HI (allumage/élevée). Maintenir la pression sur ce bouton 10 secondes après l'allumage du brûleur. Vous pouvez voir l'allumeur s'allumer ou entendre le "déclat" de l'allumage (selon le modèle utilisé) jusqu'à ce que le bouton soit relâché.



IMPORTANT : Si le brûleur du tournebroche ne s'allume pas immédiatement, tourner le bouton de commande du brûleur du tournebroche à OFF (arrêt) et attendre 5 minutes avant d'allumer de nouveau.

6. Retirer l'allumette et replacer le porte-allumette à l'intérieur du tiroir ou de la porte du placard.

Conseils de cuisson à l'aide du tournebroche

⚠ AVERTISSEMENT

Risque d'empoisonnement alimentaire

Ne pas laisser des aliments reposer plus d'une heure avant ou après la cuisson.

Le non-respect de cette instruction peut causer un empoisonnement alimentaire ou une maladie.

Le tournebroche fait tourner l'aliment devant le brûleur du tournebroche, ce qui crée une chaleur intense pour saisir l'extérieur et sceller les jus naturels à l'intérieur.

Le brûleur du tournebroche atteint les températures de cuisson en 1 minute environ. Ne pas préchauffer en cas d'utilisation du tournebroche.

- Choisir de la viande tendre et de la volaille.
- Laisser au moins 1" (2,5 cm) d'espace entre le brûleur du tournebroche et les aliments.
- Pour faciliter le nettoyage, placer un récipient sous l'aliment pour récupérer les renversements.
- Le capot peut être ouvert ou fermé, mais en cas d'utilisation du tournebroche avec le fumoir, le capot doit être fermé.
- Attendre les 10 dernières minutes de cuisson pour ajouter la sauce barbecue ou le glaçage pour empêcher que la sauce ne brûle.

Troussage de la volaille pour utilisation du tournebroche

1. Charger la tige de la broche en faisant glisser l'une des fourches sur la tige, avec les pointes orientées vers l'intérieur. Serrer la vis pour l'empêcher de glisser.
2. Enfoncer la tige à travers le centre de la volaille.
3. Découper 24" (61,0 cm) de ficelle de boucher et la centrer sous la volaille, poitrine vers le haut.
4. Enrouler chaque extrémité de la ficelle autour des ailes; saisir chaque pointe d'aile. Maintenir fermement les deux extrémités de la ficelle sur la partie supérieure de la poitrine et faire un nœud. Ne pas couper l'excédent de ficelle.
5. Découper une autre portion de ficelle de 20" (50,8 cm) et la placer sous la partie arrière de la volaille. L'enrouler autour de la queue puis autour de la tige de la broche, en serrant fermement.
6. Croiser les pattes sur la partie supérieure de la tige de la broche; nouer la ficelle autour des pattes croisées.
7. Réunir la ficelle retenant les pattes à la ficelle retenant les ailes et faire un nœud. Couper l'excédent de ficelle.
8. Faire glisser sur la seconde fourche en enfonçant les pointes dans les pilons.
9. Centrer l'aliment et les fourches sur la tige et serrer les vis. La volaille doit être bien maintenue sur la tige du tournebroche.

TABLEAU D'UTILISATION DU TOURNEBROCHE

Utiliser un thermomètre à viande portatif pour vérifier la cuisson interne de l'aliment.

Éteindre le brûleur du tournebroche lorsque le thermomètre à viande indique 5°F/3°C de moins que la température interne désirée. Continuer la rotation, capot fermé, pendant 10 minutes avant de procéder au découpage.

La durée de cuisson varie en fonction des conditions météorologiques (vent, température extérieure, etc.).

Aliment	Poids	Cuisson interne ou température (°F/°C)	Durée approximative de cuisson au grill (min/lb)
Bœuf			
Rôtis	4 à 6 lb	Saignant - à point	15-20
Faux-filet	1,5-2,2 kg	(145°F/63°C)	20-25
Pointe de surlongue		Moyenne	
Côte, désossée		(160°F/71°C)	
Volaille			
Poulet	3 à 6 lb	Poitrine	25-30
	1,1-2,2 kg	(170°F/77°C)	
		Cuisse	25-30
		(180°F/82°C)	
Dinde, entière	7 à 10 lb	Poitrine	11-20
	2,6-3,7 kg	(170°F/77°C)	
		Cuisse	11-20
		(180°F/82°C)	
Agneau			
Gigot désossé	4 à 7 lb	Moyenne	20-25
	1,5-2,6 kg	(160°F/71°C)	
Porc			
Rôti de longe, désossé	4 à 6 lb	Moyenne	20-23
	1,5-2,2 kg	(160°F/71°C)	

Utilisation du fumoir

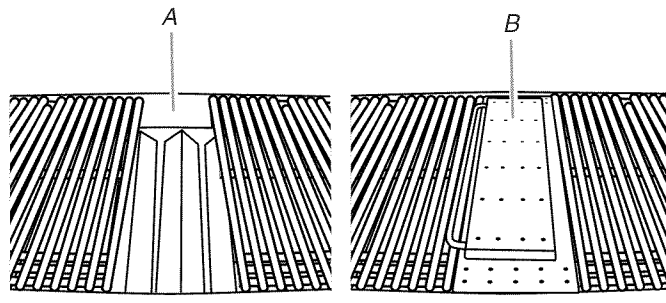
REMARQUE : Le fumoir est un accessoire sur certains modèles. Voir "Accessoires" à la section "Assistance ou service" pour passer une commande.

On peut utiliser le fumoir pour une cuisson au grill ou par rôtissage.

1. Préparer des copeaux ou granulés de bois conformément aux instructions du fabricant.
2. Ouvrir le couvercle du fumoir et placer les copeaux/granulés sur la grille à l'intérieur du fumoir.

REMARQUE : Pour 1 heure de fumage, remplir le fumoir à d'environ ¼ avec les copeaux/granulés.

3. Retirer la petite grille du grill et installer le fumoir à la place.



A. Illustré avec petite grille retirée
B. Fumoir

4. Allumer le brûleur situé sous le fumoir; préchauffer (débit thermique maximum) jusqu'à ce que le fumoir commence à émettre de la fumée. Réduire le débit thermique du brûleur pour maintenir l'émission de fumée au niveau désiré.

Pour remplir à nouveau le fumoir pendant son utilisation

Important : Il est suggéré de porter des mitaines de four pour ouvrir et fermer le couvercle du fumoir.

1. Ouvrir le capot du grill.
2. Soulever le couvercle du fumoir et ajouter plus de copeaux/granulés.
3. Fermer le couvercle du fumoir.
4. Fermer le capot du grill et poursuivre la cuisson.

Lampes du capot

Le grill doit être branché pour que les lampes sous le capot puissent fonctionner. Voir "Branchement du grill" dans la section "Installation du grill d'extérieur autoportant."

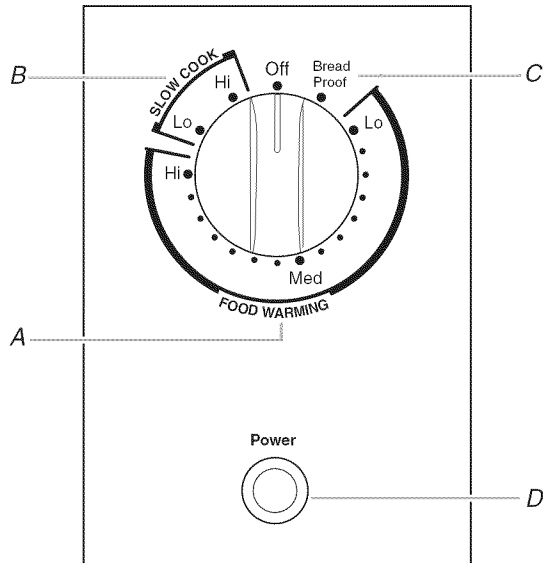
Utilisation :

Appuyer sur le bouton LIGHTS (lampes) du tableau de commande pour allumer ou éteindre les lampes du capot.

UTILISATION DU TIROIR-RÉCHAUD

(sur certains modèles)

Tableau de commande



- A. Zone de commande de la température du tiroir-réchaud
- B. Zone de commande de la température de la mijoteuse
- C. Position de commande de levée du pain
- D. Témoin d'alimentation bleu

Bouton de commande

⚠ AVERTISSEMENT

Risque d'empoisonnement alimentaire

Ne pas laisser des aliments reposer plus d'une heure avant ou après la cuisson.

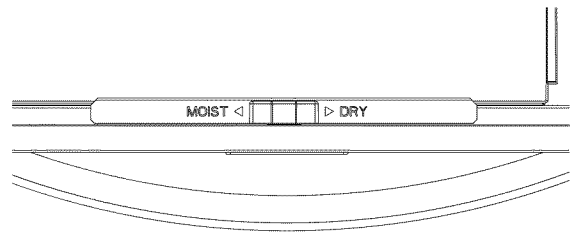
Le non-respect de cette instruction peut causer un empoisonnement alimentaire ou une maladie.

Enfoncer et tourner le bouton de commande pour mettre en marche le tiroir-réchaud. Le témoin d'alimentation bleu s'allume et reste allumé lorsque le tiroir-réchaud fonctionne.

À la fin du réchauffage, tourner le bouton de commande à OFF (arrêt) pour éteindre le tiroir-réchaud. Lorsque le tiroir-réchaud est éteint, le témoin d'alimentation bleu s'éteint et le tiroir commence à refroidir.

La commande de la température s'effectue par rotation du bouton de commande au réglage désiré. La gamme de température va de Lo (basse) à Hi (élevée) sur la commande du tiroir-réchaud pour conserver les aliments chauds aux températures sélectionnées.

Curseur de réglage Moist-Dry (humide-sec)



Le curseur de réglage Moist-Dry permet d'ouvrir ou de fermer les ouvertures d'aération dans la porte. Le réglage MOIST (humide) retient l'humidité tandis que le réglage DRY (sec) permet à la vapeur et à l'humidité de s'échapper du tiroir.

REMARQUE : De la condensation peut se former sur les surfaces internes. Ceci est normal.

Pour garder les aliments humides, faire glisser le curseur au réglage MOIST; les ouvertures d'aération sont alors fermées. La fermeture des ouvertures d'aération scelle le tiroir et garde les aliments chauds, tendres et humides.

Pour garder les aliments croustillants, faire glisser le curseur au réglage DRY; les ouvertures d'aération sont alors ouvertes. L'ouverture libère l'humidité du tiroir et garde les aliments chauds croustillants et secs. Voir le tableau de température du tiroir-réchaud dans la section "Réglage des commandes".

Réglage des commandes

⚠ AVERTISSEMENT

Risque d'empoisonnement alimentaire

Ne pas laisser des aliments reposer plus d'une heure avant ou après la cuisson.

Le non-respect de cette instruction peut causer un empoisonnement alimentaire ou une maladie.

Le tiroir-réchaud est idéal pour garder les aliments cuits à la température de service. Il est conçu pour fonctionner correctement à des températures pouvant descendre jusqu'à 32°F (0°C). Si le tiroir fonctionne à des températures inférieures à 32°F (0°C), le rendement peut être affecté.

Différents types d'aliments peuvent être placés dans le tiroir-réchaud en même temps.

Lorsqu'on maintient au chaud plusieurs types d'aliments, utiliser le réglage de la température la plus élevée dans le tiroir-réchaud. Placer les aliments nécessitant la température la plus élevée au fond du tiroir et ceux nécessitant la température la plus basse sur une grille supérieure.

Pour les meilleurs résultats, ne pas laisser d'aliments dans le tiroir-réchaud pendant plus d'une heure. Pour les quantités plus petites ou les aliments sensibles à la chaleur tels que les œufs, ne pas les garder au chaud plus de 30 minutes.

Les aliments doivent être cuits et à la température de service avant d'être placés dans le tiroir-réchaud. Couvrir les aliments avec un couvercle.

Les pains, pâtisseries et tartes aux fruits peuvent être chauffés de la température de la pièce au réglage Hi. Sortir les aliments des sacs de plastique et les placer dans un contenant qui va au four.

Les plats de service et assiettes allant au four peuvent être réchauffés pendant que le tiroir-réchaud préchauffe.

REMARQUE : Pour conserver la chaleur, placer l'ustensile de cuisson et la grille dans le tiroir-réchaud avant le préchauffage.

Utilisation :

1. Enfoncer et tourner le bouton de commande au réglage de réchauffage souhaité : Lo (basse), entre Lo et Med (basse/moyenne), Med (moyenne), entre Med et Hi (moyenne/élevée), ou Hi (élevée).

REMARQUE : Pour les meilleurs résultats possibles, la viande, les fruits de mer, la volaille et tous les aliments contenant de la viande, les fruits de mer ou la volaille doivent être réchauffés à la température moyenne ou à une température plus élevée.

2. Sélectionner le réglage MOIST (humide) ou DRY (sec).
3. Attendre la fin du préchauffage du tiroir-réchaud. Les durées de préchauffage minimales recommandées sont de 5 minutes pour Lo (basse), 10 minutes pour Med (moyenne), et 20 minutes pour Hi (élevée).
4. Enfoncer et tourner le bouton de commande du four à OFF (arrêt) après avoir terminé.

TABLEAU DES TEMPÉRATURES DU TIROIR-RÉCHAUD

Différents aliments nécessitent différents réglages pour maintenir la température de service idéale. Utiliser le tableau suivant comme guide.

La température du tiroir-réchaud peut être réglée à n'importe quel degré entre Lo et Hi. Pour les meilleurs résultats, la viande, les fruits de mer et la volaille doivent être réchauffés à la température moyenne ou à une température plus élevée. Si désiré, couvrir les aliments pour maintenir la chaleur et l'humidité.

Lorsqu'on maintient au chaud plusieurs types d'aliments, utiliser le tiroir en fonction de l'aliment nécessitant la température la plus élevée. Placer les aliments nécessitant la température la plus élevée au fond du tiroir et ceux nécessitant la température la plus basse sur la grille.

ALIMENT	RÉGLAGE
Bacon	Med à Hi - DRY
Bœuf, à point et bien cuit	Med à Hi - MOIST
Pain, petits pains	Med - DRY
Pain, petits pains mous	Med - MOIST
Mets en sauce - avec surface croustillante	Med - DRY
Mets en sauce	Med - MOIST
Brioches	Med - MOIST
Céréales cuites	Med à Hi - MOIST
Œufs	Hi - MOIST
Poisson, fruits de mer (non panés)	Hi - MOIST
Poisson, fruits de mer (panés)	Hi - DRY
Aliments frits	Hi - DRY
Sauce, sauces à la crème	Hi - MOIST

ALIMENT	RÉGLAGE
Jambon	Med Hi - MOIST
Hors-d'œuvre (croustillants)	Hi - DRY
Agneau	Med à Hi - MOIST
Crêpes, gaufres	Hi - DRY
Tartes, croûte simple	Med - DRY
Tartes, croûte double	Med à Lo - DRY
Pizza	Hi - DRY
Porc	Med à Hi - MOIST
Pommes de terre, au four	Med - DRY
Pommes de terre, en purée	Med à Hi - MOIST
Volaille	Hi - DRY
Légumes	Med à Hi - MOIST

Ustensiles de réchauffage

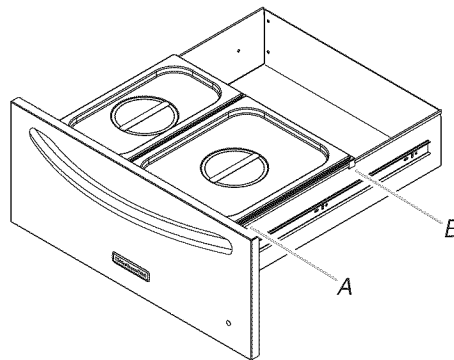
N'utiliser que des ustensiles adaptés à la cuisson au four. Suivre les instructions du fabricant de l'ustensile.

Ustensiles de réchauffage et grille de positionnement

Ustensiles de réchauffage

Le tiroir-réchaud comprend 2 rails de support conçus pour maintenir 2 ustensiles de réchauffage.

Lors de l'utilisation d'ustensiles de service, insérer les rails de support dans les encoches de positionnement avant d'insérer les ustensiles.



A. Encoche du rail de support d'ustensile - Position 1
B. Encoche du rail de support d'ustensile - Position 2

Des ustensiles de service supplémentaires des tailles 1/2 ou 1/3 peuvent être achetés auprès d'un centre d'eXpérience de la clientèle KitchenAid®. Voir la section "Assistance ou service" pour commander.

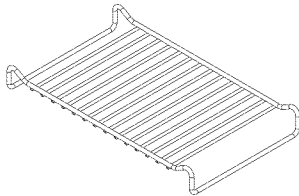
Des ustensiles de service de taille différente peuvent être achetés auprès de nombreux revendeurs et magasins de fournitures pour restaurants.

Grille de réchauffage facultative (accessoire)

La grille de positionnement facultative s'adapte d'avant en arrière ou latéralement. La grille supporte un récipient résistant à la chaleur de 1 1/8" (2,86 cm) à partir de la base du tiroir.

La grille de positionnement facultative peut être achetée auprès du Centre d'eXpérience de la clientèle de KitchenAid®. Voir la section "Assistance ou service" pour commander.

REMARQUE : Le tiroir-réchaud doit être complètement ouvert lorsqu'on place ou retire les grilles.



Ouvrir le tiroir aussi peu que possible pour maintenir la température réglée à l'intérieur du tiroir.

Levée du pain

La levée du pain prépare la pâte pour la cuisson en activant la levure. Vérifier régulièrement la progression de la levée de la pâte.

Pour faire lever la pâte :

1. Couvrir la pâte de papier ciré légèrement huilé et placer le ou les bols résistants à la chaleur sur la grille.
2. Placer le bouton de commande au réglage PROOF (levée).
3. Placer le curseur au réglage MOIST (humide).
4. Vérifier si elle est prête en enfonçant 2 doigts de 1/2" (1,3 cm) dans la pâte. Si l'empreinte demeure, la pâte est prête.

Pour la seconde levée de la pâte, suivre les étapes 1 à 4.

Fonction de cuisson lente

⚠ AVERTISSEMENT

Risque d'empoisonnement alimentaire

Ne pas laisser des aliments reposer plus d'une heure avant ou après la cuisson.

Le non-respect de cette instruction peut causer un empoisonnement alimentaire ou une maladie.

La fonction SLOW COOK (cuisson lente) du tiroir-réchaud cuit les aliments lentement à basse température pendant une longue période, de la même manière qu'avec une mijoteuse.

Lorsque le tiroir-réchaud est installé à l'extérieur, la fonction SLOW COOK ne doit pas être utilisée si la température extérieure est inférieure à 32°F (0°C).

Il y a 2 réglages, Hi (élevée) et Lo (basse). Les durées de cuisson conseillées sont de 4 à 5 heures pour Hi (élevée) et de 8 à 10 heures pour Lo (basse). Les quantités de nourriture plus petites peuvent demander moins de temps de cuisson, alors que les grandes quantités nécessitent une cuisson plus longue.

Lorsqu'on utilise la fonction de cuisson lente, utiliser des ustensiles de service résistants à la chaleur ou allant au four.

Avant d'utiliser la fonction de cuisson lente, décongeler totalement les aliments congelés.

IMPORTANT : Faire brunir complètement les rôtis avant de commencer la cuisson lente.

Utilisation :

1. Enfoncer et tourner le bouton de commande à la zone SLOW COOK (cuisson lente) et régler la température désirée, LO (basse) ou HI (élevée). Le préchauffage n'est pas nécessaire.
2. Placer les aliments dans le tiroir-réchaud. Les aliments doivent être placés directement au fond du tiroir-réchaud. Ne pas utiliser de grille.
3. Fermer le tiroir-réchaud. S'assurer que le tiroir-réchaud est complètement fermé pendant le fonctionnement.
4. Tourner le bouton de commande à OFF (arrêt) après avoir terminé.

CONSEILS POUR L'UTILISATION DU GRIL D'EXTÉRIEUR

⚠ AVERTISSEMENT

Risque d'empoisonnement alimentaire

Ne pas laisser des aliments reposer plus d'une heure avant ou après la cuisson.

Le non-respect de cette instruction peut causer un empoisonnement alimentaire ou une maladie.

Avant d'utiliser le gril

- Décongeler les aliments avant de les faire griller.
- Préchauffer le gril au débit thermique maximum (utiliser tous les brûleurs du gril) pendant 10 minutes. Durant la phase de préchauffage, le capot du gril doit être fermé. Ne pas utiliser le brûleur du tournebroche arrière pour le préchauffage. Le préchauffage génère la température élevée nécessaire pour le brunissage d'un morceau de viande et la rétention des jus.
- Réduire la durée de la phase de préchauffage avant la cuisson au gril de morceaux de viande ou de volaille à forte teneur en graisse, telles que les cuisses de poulet. Ceci réduira les flammes.
- Huiler légèrement les grilles du gril ou les aliments en cas de cuisson de morceaux de viande, de poisson ou de volaille à faible teneur en gras, tels que des galettes de viande hachée maigre, des crevettes ou des poitrines de poulet sans peau.
- Des cendres grises risquent de se déposer sur les aliments en cas d'excès d'huile.
- Enlever l'excès de gras des viandes avant la cuisson afin de réduire les flammes.
- Effectuer des coupes verticales à intervalles de 2" (5 cm) autour des parties grasses sur les côtés de la viande pour éviter qu'elle ne se recroqueville.
- Attendre la fin de la cuisson pour ajouter l'assaisonnement ou le sel.

Pendant l'utilisation du gril

- Retourner les aliments une seule fois. Les jus sont perdus lorsque la viande est retournée plusieurs fois.
- Retourner la viande lorsque les jus commencent à apparaître à la surface.
- Éviter de percer ou de couper les viandes afin d'évaluer la cuisson. Ceci permet aux jus de s'échapper.
- Il peut être nécessaire de réduire le réglage de température pour les aliments qui cuisent pendant une longue période ou qui sont marinés ou arrosés d'une sauce sucrée.
- En cas d'utilisation d'une flamme élevée, ajouter de la sauce barbecue seulement au cours des 10 dernières minutes de la cuisson afin d'éviter de faire brûler la sauce.
- Le degré de cuisson varie en fonction du type de viande, de la coupe de la viande (taille, forme et épaisseur), du réglage de température sélectionné et de la durée de cuisson au gril.
- La durée de cuisson sera plus longue avec le couvercle de gril ouvert.

Méthodes de cuisson

Pour un rendement optimal du système SureSear™, les méthodes de cuisson suivantes sont recommandées.

Chauffage direct

La cuisson par chauffage direct signifie que l'aliment est placé sur les grilles du gril directement au-dessus des brûleurs allumés. La position du capot peut être soulevée ou rabattue. Si le capot est relevé, les durées totales de cuisson peuvent être plus longues.

Le chauffage direct saisit les aliments. Le grillage est un processus qui retient les jus naturels dans les aliments grâce à une cuisson à chaleur intense pendant une courte durée. Alors que les jus restent dans l'aliment, l'extérieur est doré pour former un enrobage grillé savoureux.

Chauffage indirect

Pour des résultats optimaux, ne pas sélectionner la méthode de cuisson par chauffage indirect lorsqu'il y a du vent.

La cuisson par chauffage indirect signifie que l'aliment est placé sur la grille du gril au-dessus d'un brûleur non alimenté, ce qui permet à la chaleur provenant du/des brûleur(s) allumé(s) à proximité de cuire l'aliment.

Si possible, allumer 2 brûleurs. Faire cuire avec le capot rabattu. Ceci réduira la durée de cuisson.

Cuisson indirecte

Placer l'aliment directement sur la grille du gril, au-dessus des brûleurs éteints (OFF).

Dimension du gril	Brûleur	Brûleur	Brûleur	Brûleur
	1	2	3	4
27" (68,6 cm)	ON (marche)	OFF (arrêt)	-	-
36" (91,4 cm)	ON (marche)	OFF (arrêt)	ON (marche)	-
48" (121,9 cm)	ON (marche)	OFF (arrêt)	ON (marche)	OFF (arrêt)

Tableau de cuisson au grill

- Les boutons comportent les réglages High (élevée), Medium (moyenne) et Low (faible) pour le réglage des flammes.
- Les réglages de chaleur sont indiqués de façon approximative.
- Les durées de cuisson au grill peuvent varier en fonction des conditions météorologiques.
- Lorsque 2 températures sont indiquées, exemple : Medium (moyenne) à Medium-Low (moyenne-faible), commencer avec la première et ajuster en fonction de la progression de la cuisson.
- Les durées de cuisson peuvent varier des durées indiquées dans le tableau en fonction du type de combustible utilisé (gaz naturel ou propane).

ALIMENT	MÉTHODE DE CUISSON/RÉGLAGE DU BRÛLEUR	TEMP. INTERNE	DURÉE (minutes au total)	INSTRUCTIONS SPÉCIALES
Bœuf				
Hamburgers de ½" (1,3 cm) à ¾" (1,9 cm) d'épaisseur	DIRECT Moyenne	Moyenne (160°F/71°C)	10-15	Griller, retourner une fois.
Rôtis Faux-filet, surlonge	INDIRECT Moy./arrêt/moy.	Moy-Saignante (145°F/63°C) à Moyenne (160°F/71°C)	32-40 par lb (15-18 par kg)	Recouvrir de papier d'aluminium pendant les 45 à 60 premières minutes de cuisson.
Steaks, 1" (2,5 cm) Aloyau, côte, contre-filet, surlonge	DIRECT Moyenne	Moy-saignante (145°F/63°C) à Moyenne (160°F/71°C)	11-16	Faire pivoter les steaks de ¼ de tour pour créer des marques de grill croisées.
Steaks, 1½" (3,8 cm) Aloyau, côte, contre-filet, surlonge	DIRECT Moyenne	Moy-saignante (145°F/63°C) à Moyenne (160°F/71°C)	18-25	
Intérieur de ronde ou épaule/bloc d'épaule (London Broil) 1½" (3,8 cm) d'épaisseur	DIRECT Moyenne	Moy-saignante (145°F/63°C) à Moyenne (160°F/71°C)	22-29	
Flanc : ½" (1,3 cm) d'épaisseur	DIRECT Moyenne	Moy-saignante (145°F/63°C)	11-16	
Porc				
Côtelettes, 1" (2,5 cm) 1½" (3,8 cm) d'épaisseur	DIRECT Moyenne à moy-faible	Moyenne (160°F/71°C)	12-22 30-40	
Côtes 2½-4 lb (0,9 à 1,5 kg)	INDIRECT Moy./arrêt/moy.	Moyenne (160°F/71°C)	40-60	Griller, retourner occasionnellement. Au cours des quelques dernières minutes, enduire de sauce barbecue si désiré. Lorsque c'est cuit, emballer dans du papier d'aluminium.
Rôti, filet désossé, 1 lb (0,37 kg)	DIRECT Moyenne	Moyenne (160°F/71°C)	18-22	Retourner pendant la cuisson pour dorer tous les côtés.
Demi-jambon 8 à 10 lb (3 à 3,7 kg)	INDIRECT Moy./arrêt/moy.	Réchauffage (140°F/60°C)	2-2½ heures	Emballer l'intégralité du jambon dans du papier d'aluminium et placer sur le grill sans récipient ou plateau d'égouttement.
Steak de jambon précuit, ½" (1,3 cm) d'épaisseur	DIRECT Préchauffage Moyenne Gril Moyenne	Réchauffage (145°F/63°C)	7-10	
Hot dogs	DIRECT Moyenne	Réchauffage (145°F/63°C)	5-10	Entailler la peau si désiré.
Poulet				
Poitrine, désossée	DIRECT Moyenne	170°F/77°C	15-22	Pour une cuisson uniforme, attendrir la poitrine à ¾" (2,0 cm) d'épaisseur.
Morceaux, 2 à 3 lb (0,75 à 1,1 kg)	DIRECT Moy.-faible à Moyenne	Poitrine 170°F/77°C Cuisse 180°F/82		Commencer avec le côté os vers le bas.

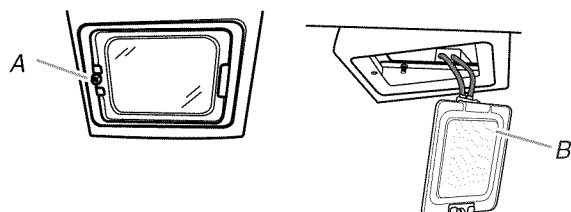
ALIMENT	MÉTHODE DE CUISSON/RÉGLAGE DU BRÛLEUR	TEMP. INTERNE	DURÉE (minutes au total)	INSTRUCTIONS SPÉCIALES
Agneau				
Côtelettes et steaks, Longe, côte, surlonge, 1" (2,5 cm) d'épaisseur	DIRECT Moyenne	Moy-saignante (145°F/63°C) à Moyenne (160°F/71°C)	10-20	
1½" (3,8 cm) d'épaisseur	DIRECT Moyenne	Moy-saignante (145°F/63°C) à Moyenne (160°F/71°C)	16-20	
Poisson et fruits de mer				
Filets, darnes, gros morceaux, flétan, saumon, espadon, 8 oz (0,25 kg)	DIRECT Moyenne		4 à 6 par ½" (1,3 cm) d'épaisseur de poisson	Griller, retourner une fois. Enduire la grille d'huile pour empêcher le poisson d'attacher. Retirer du feu lorsque l'intérieur est opaque et floconneux et que la peau s'enlève facilement.
Entier, poisson-chat, truite arc-en-ciel, 8-11 oz (0,25 à 0,34 kg)	DIRECT Élevée		5 à 7 par côté	
Mollusques et crustacés, pétoncles, crevettes	DIRECT Moyenne		4-8	
Dinde				
Poitrine entière (morceaux avec os)	INDIRECT Élevée/arrêt/élevée	170°F/77°C	14-18 par lb (7-8 par kg)	Recouvrir de papier d'aluminium jusqu'aux 30 dernières minutes de cuisson.
Demi-poitrine (morceaux avec os)	INDIRECT Moy./arrêt/moy.	170°F/77°C	25-30 par lb (11-14 par kg)	Commencer avec le côté peau vers le bas.
Entière 7 à 12 lb (2,6 à 5,4 kg)	INDIRECT Élevée/arrêt/élevée	Poitrine 170°F/77°C Cuisse 180°F/82°C	11-16 par lb (5-7 par kg)	Moins de 11 lb. (5,0 kg)
Légumes frais				
Épi de maïs	DIRECT Moyenne		20-25	Faire tremper dans l'eau froide pendant 20 minutes. Ne pas retirer l'enveloppe de l'épi. Secouer pour éliminer l'excès d'eau.
Aubergine	DIRECT Moyenne		7-10	Laver et couper en tranches de ½" (1,3 cm) ou dans le sens de la longueur. Enduire d'huile d'olive. Griller, retourner une fois. Enduire d'huile d'olive. Enfiler plusieurs tranches sur une brochette pour les maintenir ensemble.
Oignon, ½" (1,3 cm) d'épaisseur	DIRECT Moyenne		8-20	
Pommes de terre, Patates douces, entières	DIRECT Moyenne		40-70	Emballer individuellement dans du papier d'aluminium résistant. Griller, faire pivoter occasionnellement.
Pommes de terre au four, entières	DIRECT Élevée		45-90	
Poivrons, rôtis	DIRECT Élevée		15-22	Laver et placer entier sur le gril. Carboniser la peau tout autour. Laisser refroidir dans un sac en papier ou une pellicule de plastique pour dégager la peau noircie. Peler et retirer les pépins.
Courge, courge d'été, courgette	DIRECT Moyenne		7-10	Laver et couper en tranches de ½" (1,3 cm) ou dans le sens de la longueur. Enduire d'huile d'olive.
Ail rôti	DIRECT Moyenne		20-25	Couper la partie supérieure, arroser légèrement d'huile d'olive et emballer dans une double couche de papier d'aluminium.

ENTRETIEN DU GRIL D'EXTÉRIEUR

Changement de l'ampoule d'éclairage

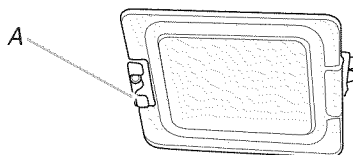
Style 1

1. Débrancher le grill ou déconnecter la source de courant électrique.
2. Pour retirer le couvercle en verre de la lampe, retirer la vis et dégager la lampe.



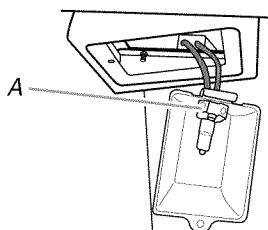
A. Vis
B. Lampe

3. Pour retirer le couvercle en verre, dégager doucement le couvercle en verre et le logement de la lampe à l'aide d'un tournevis à lame plate placé entre le couvercle en verre et l'attache.



A. Attache

4. Desserrer les 2 vis situées dans la douille de l'ampoule et retirer l'ampoule.

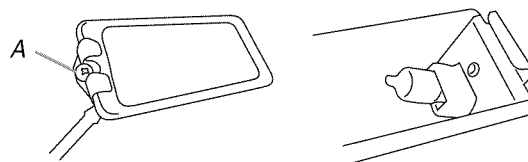


A. Vis

5. Remplacer par une ampoule neuve de 12 volts, 25 watts maximum, halogène, à l'aide d'un chiffon ou en portant des gants en coton pour manipuler l'ampoule. Afin d'éviter d'endommager l'ampoule, ne pas toucher l'ampoule avec les doigts nus.
6. Resserrer les 2 vis dans la douille de l'ampoule.
7. Remettre en place le couvercle en verre de l'ampoule en plaçant dans les attaches et en l'emboîtant dans le logement de la lampe. Remettre en place la vis et la resserrer.
8. Brancher le grill ou reconnecter la source de courant électrique.

Style 2

1. Débrancher ou déconnecter la source de courant électrique.
2. Pour retirer le couvercle en verre de la lampe, retirer la vis et dégager doucement le couvercle vers le bas avec un petit tournevis à lame plate (côté gauche du couvercle), près de la vis, et le tirer à l'extérieur du dispositif de retenue.



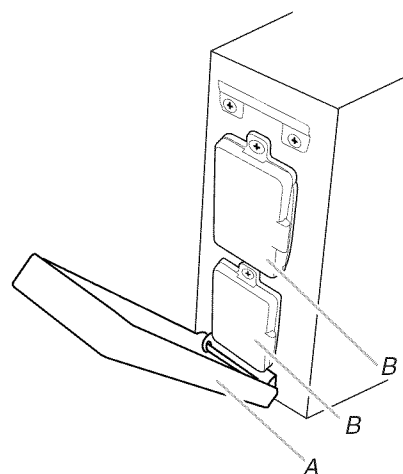
A. Vis

3. Ôter l'ampoule de la douille.
4. Remplacer par une ampoule neuve de 12 volts, 10 watts maximum, halogène, à l'aide d'un chiffon ou en portant des gants en coton pour manipuler l'ampoule. Afin d'éviter d'endommager l'ampoule, ne pas toucher l'ampoule avec les doigts nus.
5. Remplacer le couvercle en verre de la lampe en plaçant l'extrémité sans attache dans l'attache montée sur le grill. Emboîter l'extrémité de la vis et serrer.
6. Brancher l'appareil ou reconnecter la source de courant électrique.

Remplacement des piles

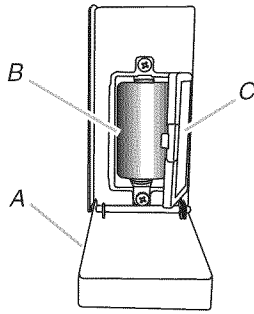
Suivre les instructions suivantes si les piles doivent être remplacées.

1. Ouvrir le couvercle externe des compartiments des piles, situé dans le placard du grill, à proximité du panneau de droite.



A. Couvercle externe du compartiment des piles
B. Couvercles internes du compartiment des piles

2. Ouvrir le compartiment interne des piles. Retirer les piles.



A. Couvercle externe du compartiment des piles
B. Pile de format "D" de 1,5 volt
C. Couvercle interne du compartiment des piles

3. Remplacer par deux piles alcalines de format "D" de 1,5 volt.
4. Si le modèle comporte 2 compartiments de piles, répéter les étapes 2 et 3 pour l'autre compartiment.
5. Fermer le compartiment interne; le couvercle s'emboîte.
6. Fermer le couvercle externe.

Nettoyage général

IMPORTANT : Avant le nettoyage, s'assurer que toutes les commandes sont éteintes et que le gril a refroidi. Toujours suivre les instructions figurant sur les étiquettes des produits de nettoyage.

Pour le nettoyage de routine, laver à l'eau savonneuse à l'aide d'un chiffon doux ou d'une éponge. Rincer à l'eau propre et sécher immédiatement à l'aide d'un chiffon doux, sans charpie, afin d'éviter les taches et rayures.

Ne pas utiliser de laine d'acier pour nettoyer le gril, car ceci égratignera la surface.

Utiliser la housse de gril en vinyle, disponible auprès de votre marchand local pour protéger la fini des intempéries. Voir la section "Assistance ou service".

ACIER INOXYDABLE

IMPORTANT : Afin d'éviter d'endommager les surfaces en acier inoxydable, ne pas utiliser de tampons de récurage savonneux, de nettoyeurs abrasifs, de crème à polir pour table de cuisson, de laine d'acier, de chiffons de lavage rugueux ou d'essuie-tout.

Les produits de nettoyage ne doivent pas contenir de chlore. Des dommages peuvent survenir.

Les renversements d'aliments doivent être nettoyés dès que le gril a entièrement refroidi. Les renversements peuvent causer une décoloration permanente.

Méthode de nettoyage :

- Frotter dans la direction du grain pour éviter d'égratigner ou d'endommager la surface.
- Nettoyeur et poli pour acier inoxydable KitchenAid - Pièce n° 4396920 (non incluse) :
Voir la section "Assistance ou service" pour commander.
- Détergent liquide ou nettoyant tout-usage :
Rincer à l'eau propre et sécher avec un chiffon doux, sans charpie.
- Vinaigre pour éliminer les taches d'eau dure.
- Nettoyeur à vitre pour éliminer les traces de doigts.

GRILLES DU GRIL

IMPORTANT : Afin d'éviter d'endommager les grilles du gril, ne pas utiliser de grattoir en acier ou en fibres sur les grilles du gril. Immédiatement après la fin de la cuisson, retirer les particules alimentaires avec une brosse en laiton. Tourner tous les brûleurs à la position HI (élevée) pendant 10 à 15 minutes avec le capot rabattu pour supprimer les résidus alimentaires. Éteindre tous les brûleurs, soulever le capot et laisser les grilles refroidir. Utiliser la brosse en laiton pour ôter les cendres des grilles du gril.

Une fois qu'elles ont complètement refroidi, les grilles du gril peuvent être retirées pour un nettoyage en profondeur. Les laver avec un détergent doux et de l'eau tiède.

Pour les aliments incrustés, préparer une solution d'une tasse (250 mL) d'ammoniaque pour 1 gallon (3,75 L) d'eau. Laisser les grilles tremper pendant 20 minutes, puis rincer à l'eau et sécher complètement.

PLATEAU DE RÉCHAUFFAGE

Méthode de nettoyage :

- Détergent liquide ou nettoyant tout-usage.
- Rincer à l'eau propre et sécher avec un chiffon doux, sans charpie.
- Pour les taches tenaces et la graisse incrustée, utiliser le produit de dégraissage pour service intense, pièce n° 31552, un produit de dégraissage commercial conçu pour l'acier inoxydable. Voir la section "Assistance ou service" pour commander.

IMPORTANT : Vérifier que l'alimentation en gaz est coupée et que tous les boutons de commande sont à la position OFF (arrêt). Vérifier que le brûleur latéral est froid.

EXTÉRIEUR

La qualité de ce matériau résiste à la plupart des taches et piqûres de corrosion dès lors que la surface est maintenue propre et protégée.

- Appliquer le poli pour acier inoxydable sur toutes les zones non dédiées à la cuisson avant la première utilisation. Appliquer de nouveau après chaque nettoyage pour éviter que la surface ne subisse des dommages permanents.
- Le nettoyage doit toujours être suivi d'un rinçage à l'eau tiède propre.
- Essuyer complètement la surface à l'aide d'un chiffon doux.
- Pour les taches tenaces et la graisse incrustée, utiliser le produit de dégraissage pour service intense, pièce n° 31552, un produit de dégraissage commercial conçu pour l'acier inoxydable.
Voir la section "Assistance ou service" pour commander.

INTÉRIEUR

On doit s'attendre à une décoloration de l'acier inoxydable sur ces pièces, du fait de la chaleur intense provenant des brûleurs. Toujours frotter dans la direction du grain. Le nettoyage doit toujours être suivi d'un rinçage à l'eau tiède propre.

Méthode de nettoyage :

- Détergent liquide ou nettoyant tout-usage.
- Rincer à l'eau propre et sécher complètement avec un chiffon doux, sans charpie.
- Une éponge à gratter robuste peut être utilisée avec des produits détergents doux.

- Pour les petites zones difficiles à nettoyer, utiliser le produit de dégraissage pour service intense, pièce n° 31552, un produit de dégraissage commercial conçu pour l'acier inoxydable.
Voir la section "Assistance ou service" pour commander.

CHAPEAUX ET GRILLE DE BRÛLEUR LATÉRAL

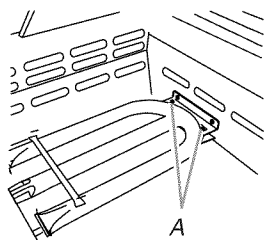
Méthode de nettoyage :

- Nettoyer à l'aide d'une brosse en laiton.
- Laver la grille à l'aide d'un détergent doux, d'eau tiède et de produit de dégraissage.
- Rincer à l'eau propre et sécher avec un chiffon doux, sans charpie.
- Nettoyant et poli pour acier inoxydable KitchenAid - Pièce n° 4396920 (non incluse) : Voir la section "Assistance ou service" pour commander.

BRÛLEURS EN FORME DE U

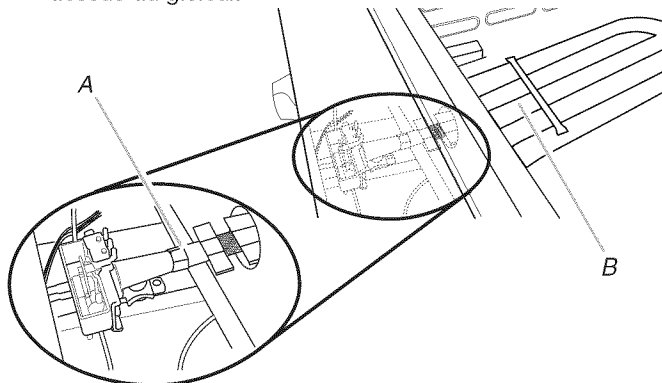
Méthode de nettoyage :

- Dégager tout gicleur de brûleur obstrué avec une attache redressée. Ne pas utiliser de cure-dent car celui-ci pourrait briser et obstruer le gicleur.
- Inspecter et nettoyer les tubes du brûleur/de la buse.
 1. Ôter les grilles du grill et les plaques du brûleur à infrarouge.
 2. Enlever les 2 vis qui maintiennent le brûleur en place. Ôter le brûleur à gaz du grill.



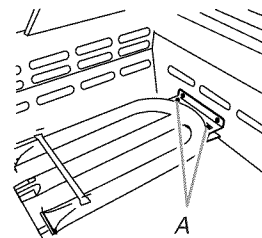
A. 2 vis

3. Utiliser une lampe de poche pour inspecter l'intérieur du brûleur à gaz depuis l'entrée du brûleur pour vérifier qu'il n'y a pas de blocage. En cas d'obstruction, utiliser un cintre métallique redressé pour éliminer l'obstruction.
4. Après avoir inspecté l'intérieur du brûleur à gaz pour s'assurer de l'absence de blocage, réassembler le brûleur en faisant glisser le tube du milieu du brûleur à gaz au-dessus du gicleur.



A. Raccordement du brûleur/du gicleur

5. Réinstaller le brûleur à gaz à l'aide de 2 vis.



A. 2 vis

BRÛLEURS À INFRAROUGE

Méthode de nettoyage :

1. Allumer le brûleur à infrarouge. Voir "Allumage du grill" dans la section "Utilisation du grill principal".
2. Tourner le bouton à HI (élevée) et rabattre le capot du grill.
3. Laisser le brûleur à la puissance élevée pendant environ 30 minutes.
4. Tourner le bouton à OFF et laisser le brûleur refroidir complètement.
5. Ôter la grille du grill et éliminer à l'aide d'une brosse les particules de cendres accumulées sur la plaque du brûleur à infrarouge.
6. Réinstaller la grille du grill.

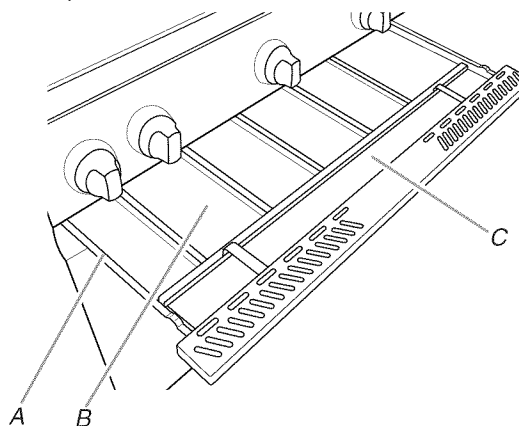
TIROIR D'ÉGOUTTEMENT ET PLATEAUX D'ÉGOUTTEMENT

IMPORTANT : Le tiroir d'égouttement ne doit être retiré que lorsque le grill a complètement refroidi.

Les plateaux d'égouttement (sur certains modèles) recueillent la graisse et les particules alimentaires qui tombent à travers le grill. Le nettoyer souvent pour empêcher l'accumulation de graisse.

Méthode de nettoyage :

- Retirer le tiroir d'égouttement jusqu'à la butée d'arrêt.
- Saisir les poignées du plateau d'égouttement long et le soulever pour le retirer.



A. Tiroir d'égouttement
B. Plateau d'égouttement court (sur certains modèles)
C. Plateau d'égouttement long (sur certains modèles)

- Saisir l'extrémité du plateau d'égouttement court, le faire glisser vers l'avant et le soulever pour le retirer.
- Répéter l'opération pour les autres plateaux d'égouttement.
- Vider les plateaux d'égouttement et en jeter le contenu de manière adéquate. Essuyer l'excès de graisse avec de l'essuie-tout.

- Les plateaux d'égouttement peuvent être lavés avec un détergent doux et de l'eau tiède, puis rincés et séchés soigneusement. Ils peuvent aussi être lavés au lave-vaisselle.
- Ôter le tiroir d'égouttement et le poser sur une surface plane.
- Essuyer l'excès de graisse avec de l'essuie-tout.
- Laver au détergent doux et à l'eau tiède. Rincer et sécher soigneusement.
- Réinstaller le tiroir d'égouttement.
- Replacer les plateaux d'égouttement dans le tiroir d'égouttement.
- Fermer le tiroir d'égouttement avant d'utiliser le gril. Lorsque l'on utilise le gril, le tiroir d'égouttement doit être bien en place et complètement enfoncé.

BOUTONS ET REBORD DES BOUTONS

IMPORTANT : Afin d'éviter d'endommager les boutons ou les rebords de boutons, ne pas utiliser de laine d'acier, de produits de nettoyage abrasifs ou de nettoyant pour four.

Ne pas immerger les boutons de commande.

Méthode de nettoyage :

- Détergent doux, chiffon doux et eau tiède.
- Rincer et sécher.

ILLUSTRATIONS DU TABLEAU DE COMMANDE

IMPORTANT : Afin d'éviter d'endommager les indications du tableau de commande, ne pas utiliser de laine d'acier, de produits de nettoyage abrasifs ou de nettoyant pour four.

Ne pas vaporiser le nettoyant directement sur le tableau.

Méthode de nettoyage :

- Nettoyer doucement autour des étiquettes des brûleurs; le frottement pourrait effacer les indications.
- Détergent doux, chiffon doux et eau tiède.
- Rincer et sécher.

TIGE DE LA BROCHE ET FOURCHES DU TOURNEBROCHE

Méthode de nettoyage :

- Laver avec un détergent doux, à l'aide d'un chiffon doux et d'eau tiède.
- Rincer et sécher.
- Pour les zones tenaces, utiliser un nettoyant tout-usage, une éponge à gratter robuste ou un nettoyant abrasif doux.

TIROIRS

Méthode de nettoyage :

Nettoyage de routine

- Essuie-tout et nettoyant à vitre en vaporisateur :
S'assurer que le tiroir est froid. Suivre les instructions du fabricant.
- Eau tiède savonneuse ou nettoyant tout-usage et tampon à récurer en plastique, non abrasif :
Laver à l'eau propre, essuyer et bien sécher.

Taches tenaces et résidus de cuisson

Frotter dans la direction du grain pour éviter les dommages.

- Détergent légèrement abrasif ou nettoyant pour acier inoxydable avec chiffon humide ou éponge.

Laver à l'eau propre, essuyer et bien sécher. Répéter au besoin.

GRILLES

Méthode de nettoyage :

- Tampon en laine d'acier, eau tiède savonneuse :
Laver, rincer et bien sécher.

Glissières de tiroir

Les glissières de tiroir permettent de déployer le tiroir complètement pour faciliter le nettoyage. Le tiroir peut être enlevé au besoin.

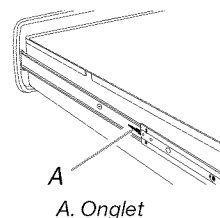
REMARQUE : La capacité de charge pour le tiroir et les glissières est de 100 lb (45 kg).

Dépose du tiroir

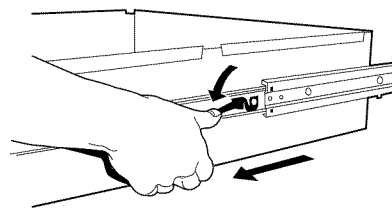
Enlever tous les articles de l'intérieur du tiroir-réchaud et laisser le tiroir refroidir complètement avant d'essayer de le retirer.

Dépose :

1. Ouvrir le tiroir complètement.
2. Localiser les onglets noirs des deux côtés du tiroir.



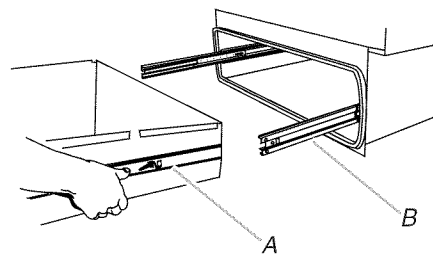
3. Abaisser l'onglet du côté droit et soulever l'onglet du côté gauche en même temps, puis retirer le tiroir d'un pouce supplémentaire pour libérer le loquet.



4. Maintenir le tiroir par ses côtés (pas par l'avant). Retirer complètement et lentement le tiroir.

Réinstallation :

1. Aligner les glissières du tiroir avec les guides.

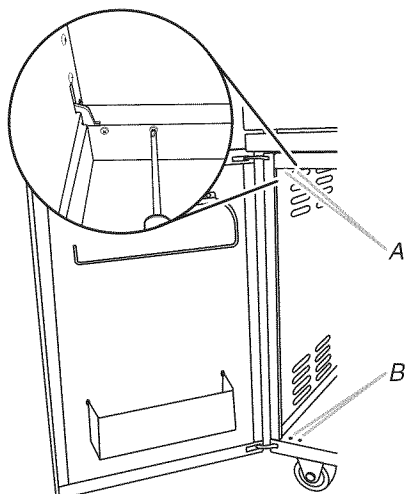


2. Pousser le tiroir complètement.
3. Ouvrir et fermer délicatement le tiroir pour s'assurer qu'il est bien engagé sur les guides.

Alignement de la porte du placard - Style 2 (charnière interne) uniquement

Les portes du placard peuvent être réalignées si nécessaire.

1. Inspecter la porte pour déterminer l'alignement nécessaire.
2. Ouvrir la porte du placard.
3. Localiser et desserrer les 4 vis de montage de la charnière de porte d'un demi tour.



A. Vis supérieures (2 - sous le châssis)
B. Vis inférieures (2)

4. Ajuster la partie supérieure ou inférieure de la porte dans la direction nécessaire pour que la porte soit alignée.
5. Resserrer les 4 vis de montage de charnière de porte.
6. Fermer la porte et vérifier l'alignement.
7. Réajuster la porte en suivant les étapes 2 à 6 si nécessaire.
8. Répéter les étapes 1 à 7 pour l'autre porte si nécessaire.

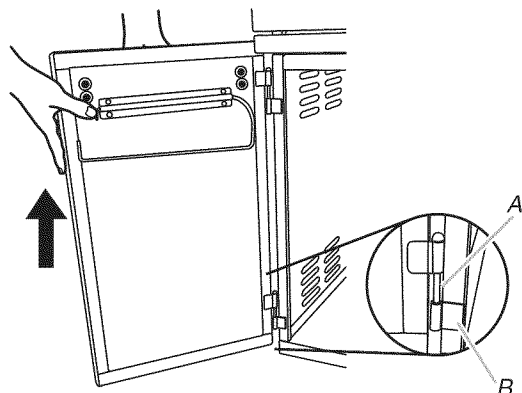
Dépose de la porte du placard

La/les porte(s) peut/peuvent être retirée(s) si nécessaire pour avoir accès à l'intérieur du placard, sous le grill.

Style 1 (axe de charnière externe)

Dépose de la porte :

1. Ouvrir la porte d'accès.
2. Soulever la porte pour faire glisser les broches de charnière des brides de charnière du placard.

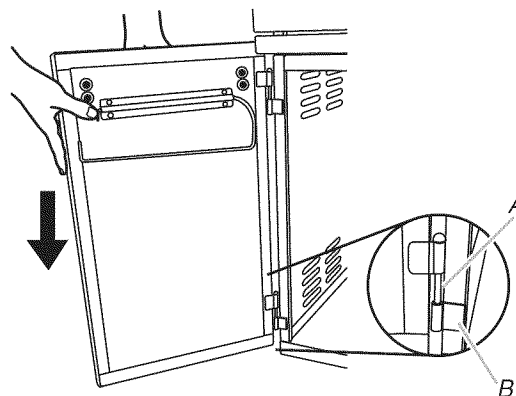


A. Broche de charnière sur la porte
B. Bride de charnière

3. Répéter les étapes 1 et 2 pour l'autre porte si nécessaire.

Remise en place de la porte :

1. Positionner les broches de charnière de la porte près de la partie correspondante des charnières sur le placard. Faire pénétrer doucement chaque broche dans l'autre partie de chaque charnière pour la mise en place.



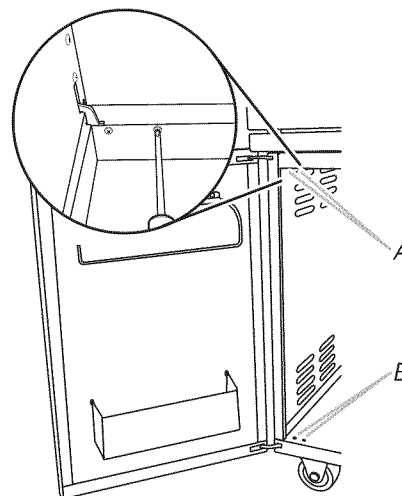
A. Broche de charnière sur la porte
B. Bride de charnière

2. Répéter l'étape 1 pour l'autre porte si nécessaire.

Style 2 (charnière interne)

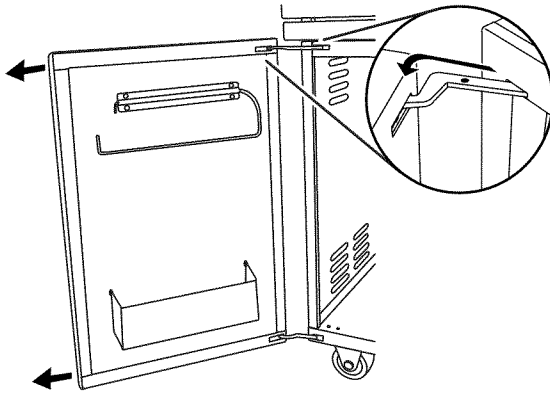
Dépose de la porte :

1. Ouvrir la porte complètement.
2. Localiser et retirer les 4 vis de montage de la charnière de porte.



A. Vis supérieures (2 - sous le châssis)
B. Vis inférieures (2)

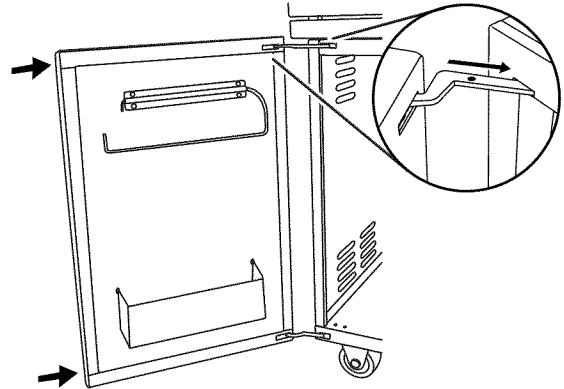
- Éloigner la porte du centre pour permettre aux charnières de porte de se dégager des encoches du châssis.



- Répéter les étapes 1 à 3 pour l'autre porte.

Remise en place de la porte :

- Placer les charnières de porte dans les encoches du châssis et les enfoncer pour les mettre en place.



- Localiser les 4 trous des vis de montage de charnière dans la partie supérieure et inférieure du châssis puis remettre en place les 4 vis. Ne pas serrer.
- Inspecter et ajuster la porte, puis resserrer les vis. Voir "Alignement de la porte du placard".
- Répéter les étapes 1 à 3 pour l'autre porte si nécessaire.

DÉPANNAGE

Essayer d'abord les solutions suggérées ici afin d'éviter le coût d'une visite de service superflue.

Rien ne fonctionne

- Le robinet principal d'arrêt ou de réglage du gaz est-il à la position fermée?
Voir les Instructions d'installation.
- Le gril est-il bien raccordé à la canalisation de gaz?
Contacter un technicien de réparation qualifié ou voir les Instructions d'installation.

⚠ AVERTISSEMENT



Risque de choc électrique

Utiliser uniquement un cordon d'extension à 3 fils de calibre 14 AWG approuvé par UL pour utilisation à l'extérieur, marqué W-A, d'une longueur maximale de 50 pi.

Brancher sur une prise à 3 alvéoles reliée à la terre.

Ne pas enlever la broche de liaison à la terre.

Ne pas utiliser un adaptateur.

Le non-respect de ces instructions peut causer un décès, un incendie ou un choc électrique.

- Le cordon d'alimentation est-il débranché?
Brancher sur une prise à 3 alvéoles reliée à la terre.
- Un fusible est-il grillé ou le disjoncteur s'est-il déclenché?
Remplacer le fusible ou réenclencher le disjoncteur. Si le problème persiste, contacter un électricien.

- Le disjoncteur à l'arrière du gril s'est-il déclenché?
Ré-enclencher le disjoncteur. Si le problème persiste, appeler un électricien.

Pour les modèles à affichage électronique du gril

- Un programme FlameTime™ a-t-il été mis en marche et tous les robinets de brûleur n'ont-ils pas été fermés à la fin du programme?
Placer tous les robinets de brûleur en position de fermeture "OFF"; allumer ensuite le brûleur en utilisant les instructions d'allumage.
- E-1 s'affiche-t-il?
Tourner tous les robinets des brûleurs à la position "OFF". Appuyer sur le bouton Start/Reset (mise en marche/réinitialisation). Le code E-1 doit disparaître.
- "NP" s'affiche-t-il?
Remplacer les deux piles alcalines de taille "D" de 1,5 V.

Le tiroir ne glisse pas correctement

- Le tiroir a-t-il été correctement installé dans les glissières?
Voir la section "Entretien du tiroir-réchaud".
- Le tiroir a-t-il été surchargé?
Le poids à l'intérieur du tiroir ne doit pas excéder 100 lb (45 kg).
- Le tiroir est-il chargé de façon inégale?
Redistribuer les aliments pour répartir le poids de façon équilibrée.

Excès d'humidité sur le tiroir

- **Le tiroir a-t-il été préchauffé?**
Préchauffer le tiroir avant chaque utilisation. Voir la section "Utilisation du tiroir-réchaud".
- **Le réglage MOIST-DRY (humide-sec) est-il correct?**
Régler le curseur MOIST-DRY à DRY (sec) pour évacuer l'humidité.

Les résultats de cuisson ne sont pas les résultats prévus

- La surface des portions de boeuf ou de porc peut devenir très foncée mais non brûlée. Ceci est normal. L'intérieur restera tendre et juteux. La volaille peut également brunir, particulièrement sur les zones non couvertes par la peau.

ASSISTANCE OU SERVICE

Avant de faire un appel pour assistance ou service, veuillez vérifier la section "Dépannage". Cette vérification peut vous faire économiser le coût d'une visite de service. Si vous avez encore besoin d'aide, suivez les instructions ci-dessous.

Lors d'un appel, veuillez connaître la date d'achat, le numéro de modèle et le numéro de série au complet de l'appareil. Ces renseignements nous aideront à mieux répondre à votre demande.

Si vous avez besoin de pièces de rechange

Si vous avez besoin de commander des pièces de rechange, nous vous recommandons d'employer uniquement des pièces spécifiées par l'usine. Les pièces spécifiées par l'usine conviendront et fonctionneront bien parce qu'elles sont fabriquées avec la même précision que celle utilisée dans la fabrication de chaque nouvel appareil KITCHENAID®.

Pour localiser des pièces spécifiées par l'usine dans votre région, nous appeler ou contacter le centre de service désigné KitchenAid le plus proche.

Au Canada

Veuillez appeler sans frais le Centre pour l'eXpérience de la clientèle de KitchenAid Canada au : **1-800-807-6777**.

Nos consultants vous renseigneront sur les sujets suivants :

- Caractéristiques et spécifications sur toute notre gamme d'appareils électroménagers.
- Consignes d'utilisation et d'entretien.
- Vente d'accessoires et de pièces de rechange.
- Références aux marchands locaux, aux distributeurs de pièces de rechange et aux compagnies de service. Les techniciens de service désignés par KitchenAid Canada sont formés pour remplir la garantie des produits et fournir un service après la garantie, partout au Canada.

Pour plus d'assistance

Si vous avez besoin de plus d'assistance, vous pouvez soumettre par écrit toute question ou préoccupation à KitchenAid Canada à l'adresse suivante :

Centre pour l'eXpérience de la clientèle
KitchenAid Canada
1901 Minnesota Court
Mississauga, Ontario L5N 3A7

Veuillez inclure dans votre correspondance un numéro de téléphone où l'on peut vous joindre dans la journée.

Accessoires

Housses de vinyle

27" (68,6 cm) pour modèles de gril numéros KFRS271T et KFRU271V - Commander la pièce n° 8212699

36" (91,4 cm) : pour modèles de gril numéros KFRS361T et KFRU361V - Commander la pièce n° 8212700

36" (91,4 cm) : pour modèles de gril numéros KFRS365T et KFRU365V - Commander la pièce n° 8212701

36" (91,4 cm) : pour modèles de gril numéros KFRU368T et KFRU368V - Commander la pièce n° 8212702

48" (121,9 cm) : pour modèles de gril numéros KFRU488T et KFRU488V - Commander la pièce n° 8212703

Ensembles de tournebroche

27" (68,6 cm) : Commander la pièce n° KFKU271TSS

36" (91,4 cm) : Commander la pièce n° KFKU361TSS

Boîte de fumoir

Commander la pièce n° KBDU271TSS

Grille de positionnement

Commander la pièce n° 8723277

Ustensile de service (dimension 1/2)

Commander la pièce n° 8171421

Ustensile de service (dimension 1/3)

Commander la pièce n° 8171422

Nettoyant et poli pour acier inoxydable KitchenAid®

Commander la pièce n° 4396920

Nettoyant tout-usage pour appareil ménager

Commander la pièce n° 31682

Produit de dégraissage pour service intense

Commander la pièce n° 31552

GARANTIE DES PRODUITS POUR USAGE EXTÉRIEUR KITCHENAID®

GARANTIE LIMITÉE

Pendant un an à compter de la date d'achat, lorsque ce produit pour usage extérieur est utilisé et entretenu conformément aux instructions jointes à ou fournies avec le produit, la marque KitchenAid de Whirlpool Corporation ou Whirlpool Canada LP (ci-après désignées "KitchenAid") paiera pour les pièces spécifiées par l'usine et la main-d'œuvre pour corriger les vices de matériaux ou de fabrication. Le service doit être fourni par une compagnie de service désignée par KitchenAid. Cette garantie limitée est valide uniquement aux États-Unis ou au Canada et s'applique exclusivement lorsque l'appareil pour usage extérieur est utilisé dans le pays où il a été acheté. À l'extérieur du Canada et des 50 États des États-Unis, cette garantie limitée ne s'applique pas. Une preuve de la date d'achat original est exigée pour obtenir un service dans le cadre de la présente garantie limitée.

GARANTIE LIMITÉE DE LA DEUXIÈME À LA CINQUIÈME ANNÉE INCLUSIVEMENT SUR LES PIÈCES POUR LES GRILS UNIQUEMENT

De la deuxième à la cinquième année inclusivement à compter de la date d'achat, lorsque ce gril est utilisé et entretenu conformément aux instructions jointes à ou fournies avec le produit, KitchenAid paiera pour les pièces spécifiées par l'usine pour corriger les vices de matériaux ou de fabrication.

GARANTIE LIMITÉE À VIE SUR LES COMPOSANTS EN ACIER INOXYDABLE POUR LES GRILS UNIQUEMENT

Pour la durée de vie du produit, lorsque ce gril est utilisé et entretenu conformément aux instructions jointes à ou fournies avec le produit, KitchenAid paiera pour le remplacement de la structure en acier inoxydable en cas de vices de matériaux ou de fabrication. Pour la durée de vie du produit, lorsque ce gril est utilisé et entretenu conformément aux instructions jointes à ou fournies avec le produit, KitchenAid paiera pour les pièces de rechange des brûleurs du gril en acier inoxydable.

ARTICLES EXCLUS DE LA GARANTIE

La présente garantie limitée ne couvre pas :

1. Les visites de service pour rectifier l'installation du produit pour usage extérieur, montrer à l'utilisateur comment utiliser l'appareil pour usage extérieur, remplacer ou réparer des fusibles ou rectifier le câblage ou la plomberie du domicile.
2. Les défauts apparents, notamment les éraflures, les bosses, fissures ou tout autre dommage au fini du produit pour usage extérieur, à moins que ces dommages soient dus à des vices de matériaux ou de fabrication et soient signalés à KitchenAid dans les 30 jours suivant la date d'achat.
3. Les réparations lorsque le produit pour usage extérieur est utilisé à des fins autres que l'usage unifamilial normal ou lorsque les instructions d'installation et/ou les instructions de l'opérateur ou de l'utilisateur fournies ne sont pas respectées.
4. Les dommages imputables à : accident, modification, usage impropre ou abusif, incendie, inondation, actes de Dieu, installation fautive ou installation non conforme aux codes d'électricité ou de plomberie, ou l'utilisation de pièces consommables ou de produits nettoyants non approuvés par KitchenAid.
5. L'ensemble de conversion ou l'appel de service pour la conversion de produit pour usage extérieur de gaz naturel à propane ou de propane à gaz naturel.
6. Les coûts associés au transport du produit pour usage extérieur du domicile pour réparation. Ce produit pour usage extérieur est conçu pour être réparé à domicile et seul le service à domicile est couvert par la présente garantie.
7. Les réparations aux pièces ou systèmes résultant d'une modification non autorisée faite à l'appareil pour usage extérieur.
8. Les frais de transport pour le service d'un produit si votre appareil pour usage extérieur est situé dans une région éloignée où un service d'entretien KitchenAid autorisé n'est pas disponible.
9. La dépose et la réinstallation de votre appareil pour usage extérieur si celui-ci est installé dans un endroit inaccessible ou n'est pas installé conformément aux instructions d'installation fournies.
10. Les dommages résultant de l'usure normale du produit pour usage extérieur.
11. Les appareils pour usage extérieur dont les numéros de série et de modèle originaux ont été enlevés, modifiés ou qui ne peuvent pas être facilement identifiés. La présente garantie est nulle si le numéro de série d'usine a été modifié ou enlevé du produit pour usage extérieur.

Le coût d'une réparation ou des pièces de rechange dans le cadre de ces circonstances exclues est à la charge du client.

CLAUSE D'EXONÉRATION DE RESPONSABILITÉ AU TITRE DES GARANTIES IMPLICITES; LIMITATION DES RECOURS

LE SEUL ET EXCLUSIF RECOURS DU CLIENT DANS LE CADRE DE LA PRÉSENTE GARANTIE LIMITÉE CONSISTE EN LA RÉPARATION PRÉVUE CI-DESSUS. LES GARANTIES IMPLICITES, Y COMPRIS LES GARANTIES APPLICABLES DE QUALITÉ MARCHANDE ET D'APTITUDE À UN USAGE PARTICULIER, SONT LIMITÉES À UN AN OU À LA PLUS COURTE PÉRIODE AUTORISÉE PAR LA LOI. KITCHENAID N'ASSUME AUCUNE RESPONSABILITÉ POUR LES DOMMAGES FORTUITS OU INDIRECTS. CERTAINES JURIDICTIONS NE PERMETTENT PAS L'EXCLUSION OU LA LIMITATION DES DOMMAGES FORTUITS OU INDIRECTS, OU LES LIMITATIONS DE LA DURÉE DES GARANTIES IMPLICITES DE QUALITÉ MARCHANDE OU D'APTITUDE À UN USAGE PARTICULIER, DE SORTE QUE CES EXCLUSIONS OU LIMITATIONS PEUVENT NE PAS S'APPLIQUER DANS VOTRE CAS. CETTE GARANTIE VOUS CONFÈRE DES DROITS JURIDIQUES SPÉCIFIQUES ET VOUS POUVEZ ÉGALEMENT JOUIR D'AUTRES DROITS QUI PEUVENT VARIER D'UNE JURIDICTION À UNE AUTRE.

Si vous résidez à l'extérieur du Canada et des 50 États des États-Unis, contactez votre marchand KitchenAid autorisé pour déterminer si une autre garantie s'applique.

Si vous avez besoin de service, voir d'abord la section "Dépannage" du Guide d'utilisation et d'entretien. Après avoir vérifié la section "Dépannage", de l'aide supplémentaire peut être trouvée en vérifiant la section "Assistance ou service" ou en appelant KitchenAid. Aux É.-U., composer le **1-800-422-1230**. Au Canada, composer le **1-800-807-6777**.

11/08

Conservez ce manuel et votre reçu de vente ensemble pour référence ultérieure. Pour le service sous garantie, vous devez présenter un document prouvant la date d'achat ou d'installation.

Inscrivez les renseignements suivants au sujet de votre gros appareil ménager pour mieux vous aider à obtenir assistance ou service en cas de besoin. Vous devrez connaître le numéro de modèle et le numéro de série au complet. Vous trouverez ces renseignements sur la plaque signalétique située sur le produit.

Nom du marchand _____

Adresse _____

Numéro de téléphone _____

Numéro de modèle _____

Numéro de série _____

Date d'achat _____