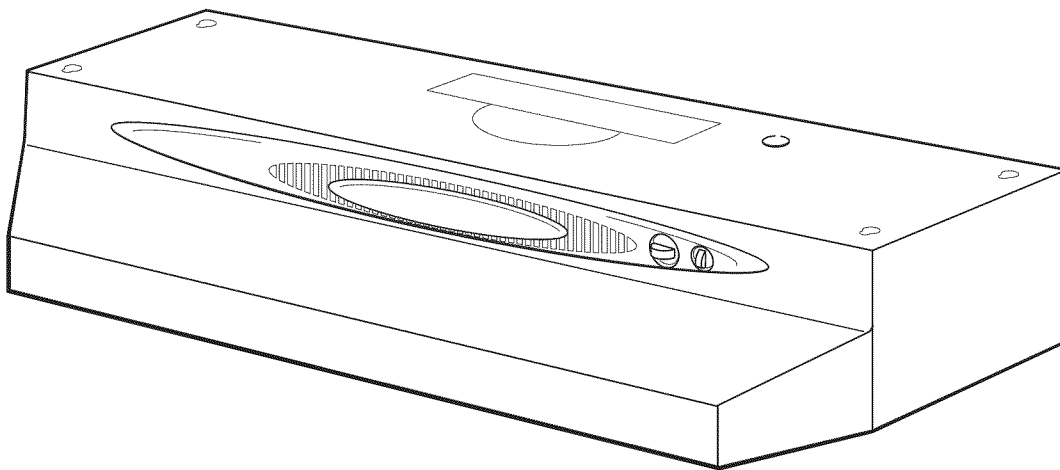

30" (76.2 CM) AND 36" (91.4 CM) RANGE HOOD

Installation Instructions and Use & Care Guide

HOTTE D'ASPIRATION DE 30" (76,2 CM) ET 36" (91,4 CM)

Instructions d'installation et Guide d'utilisation et d'entretien

Table of Contents/Table des matières..... 2



**IMPORTANT: READ AND SAVE THESE INSTRUCTIONS.
FOR RESIDENTIAL USE ONLY.**
**IMPORTANT : LIRE ET CONSERVER CES INSTRUCTIONS.
POUR UTILISATION RÉSIDENIELLE UNIQUEMENT.**

TABLE OF CONTENTS

RANGE HOOD SAFETY2
INSTALLATION REQUIREMENTS4
 Tools and Parts4
 Location Requirements4
 Venting Requirements5
 Electrical Requirements7
INSTALLATION INSTRUCTIONS7
 Prepare Location7
 Prepare Range Hood9
 Install Range Hood10
 Make Electrical Connection11
 Complete Installation11
RANGE HOOD USE12
 Range Hood Controls12
RANGE HOOD CARE12
 Cleaning12
ASSISTANCE OR SERVICE13
 In the U.S.A.13
 In Canada13
WARRANTY14

TABLE DES MATIÈRES

SÉCURITÉ DE LA HOTTE DE CUISINIÈRE15
EXIGENCES D'INSTALLATION17
 Outillage et pièces17
 Exigences d'emplacement17
 Exigences concernant l'évacuation18
 Spécifications électriques19
INSTRUCTIONS D'INSTALLATION20
 Préparation de l'emplacement20
 Préparation de la hotte22
 Installation de la hotte23
 Raccordement électrique24
 Achever l'installation24
UTILISATION DE LA HOTTE25
 Commandes de la hotte de cuisinière25
ENTRETIEN DE LA HOTTE25
 Nettoyage25
ASSISTANCE OU SERVICE26
GARANTIE27

RANGE HOOD SAFETY

Your safety and the safety of others are very important.

We have provided many important safety messages in this manual and on your appliance. Always read and obey all safety messages.



This is the safety alert symbol.

This symbol alerts you to potential hazards that can kill or hurt you and others.

All safety messages will follow the safety alert symbol and either the word "DANGER" or "WARNING."

These words mean:

⚠ DANGER

You can be killed or seriously injured if you don't immediately follow instructions.

⚠ WARNING

You can be killed or seriously injured if you don't follow instructions.

All safety messages will tell you what the potential hazard is, tell you how to reduce the chance of injury, and tell you what can happen if the instructions are not followed.

IMPORTANT SAFETY INSTRUCTIONS

WARNING: TO REDUCE THE RISK OF FIRE, ELECTRIC SHOCK, OR INJURY TO PERSONS, OBSERVE THE FOLLOWING:

- Use this unit only in the manner intended by the manufacturer. If you have questions, contact the manufacturer.
- Before servicing or cleaning the unit, switch power off at service panel and lock the service disconnecting means to prevent power from being switched on accidentally. When the service disconnecting means cannot be locked, securely fasten a prominent warning device, such as a tag, to the service panel.
- Installation work and electrical wiring must be done by qualified person(s) in accordance with all applicable codes and standards, including fire-rated construction.
- Sufficient air is needed for proper combustion and exhausting of gases through the flue (chimney) of fuel burning equipment to prevent backdrafting. Follow the heating equipment manufacturer's guideline and safety standards such as those published by the National Fire Protection Association (NFPA), the American Society for Heating, Refrigeration and Air Conditioning Engineers (ASHRAE), and the local code authorities.
- When cutting or drilling into wall or ceiling; do not damage electrical wiring and other utilities.
- Ducted fans must always be vented outdoors.

CAUTION: For general ventilating use only. Do not use to exhaust hazardous or explosive materials and vapors.

CAUTION: To reduce risk of fire and to properly exhaust air, be sure to duct air outside - do not vent exhaust air into spaces within walls or ceilings, attics or into crawl spaces, or garages.

WARNING: TO REDUCE THE RISK OF FIRE, USE ONLY METAL DUCTWORK.

WARNING: TO REDUCE THE RISK OF A RANGE TOP GREASE FIRE:

- Never leave surface units unattended at high settings. Boilovers cause smoking and greasy spillovers that may ignite. Heat oils slowly on low or medium settings.
- Always turn hood ON when cooking at high heat or when flambeing food (i.e. Crepes Suzette, Cherries Jubilee, Peppercorn Beef Flambé).
- Clean ventilating fans frequently. Grease should not be allowed to accumulate on fan or filter.
- Use proper pan size. Always use cookware appropriate for the size of the surface element.

WARNING: TO REDUCE THE RISK OF INJURY TO PERSONS IN THE EVENT OF A RANGE TOP GREASE FIRE, OBSERVE THE FOLLOWING:^a

- **SMOTHER FLAMES** with a close fitting lid, cookie sheet, or metal tray, then turn off the burner. **BE CAREFUL TO PREVENT BURNS.** If the flames do not go out immediately, **EVACUATE AND CALL THE FIRE DEPARTMENT.**
- **NEVER PICK UP A FLAMING PAN** - you may be burned.
- **DO NOT USE WATER**, including wet dishcloths or towels - a violent steam explosion will result.
- Use an extinguisher **ONLY** if:
 - You know you have a class ABC extinguisher, and you already know how to operate it.
 - The fire is small and contained in the area where it started.
 - The fire department is being called.
 - You can fight the fire with your back to an exit.

^aBased on "Kitchen Fire Safety Tips" published by NFPA.

- **WARNING:** To reduce the risk of fire or electrical shock, do not use this fan with any solid-state speed control device.

SAVE THESE INSTRUCTIONS

INSTALLATION REQUIREMENTS

Tools and Parts

Gather the required tools and parts before starting installation. Read and follow the instructions provided with any tools listed here.

Tools needed

- Drill
- 1¼" (3.0 cm) drill bit
- ⅛" (3.0 mm) drill bit for pilot holes
- Pencil
- Wire stripper or utility knife
- Tape measure or ruler
- Caulking gun and weatherproof caulking compound
- Flat-blade screwdriver
- Phillips screwdriver

For vented installations, you also need:

- Saber or keyhole saw
- Vent clamps
- Metal snips
- Compass or 8" (20.3 cm) circle template

Parts supplied

Remove parts from package. Check that all parts are included.

- Filter
- 4 - #10 x ⅝" mounting screws
- 7" (17.8 cm) round transition plate
- 7" (17.8 cm) damper/vent connector
- 3¼" x 10" (8.3 x 25.4 cm) damper/vent connector

Parts needed

For direct wire installation

- UL listed or CSA approved ½" (12.5 mm) strain relief
- Two 40-watt maximum incandescent light bulbs
- Power supply cable (if needed, for direct wire installation)

For power supply cord installation

- UL Listed Power Supply Cord Connection Kit marked for range hood use.
- Two 40-watt maximum incandescent light bulbs

For vented installations you also need:

- 3¼" x 10" (8.3 x 25.4 cm) or 7" (17.8 cm) round metal venting
- 7" (17.8 cm) round damper, if using 7" (17.8 cm) round vent system

For cabinets with recessed bottoms:

- Two 2" (5.1 cm) wide filler strips. Length and thickness determined by recess dimensions.
- Four flat head wood screws or machine screws with washers and nuts (to attach filler strips).

Location Requirements

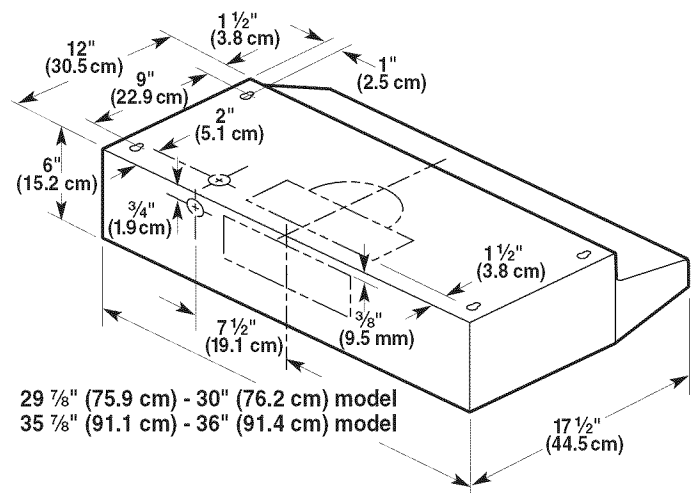
IMPORTANT: Observe all governing codes and ordinances.

- It is the installer's responsibility to comply with installation clearances specified on the model/serial rating plate. The model/serial rating plate is located inside the range hood on the rear wall.
- Range hood location should be away from strong draft areas, such as windows, doors and strong heating vents.
- Cabinet opening dimensions that are shown must be used. Given dimensions provide minimum clearance. Consult the cooktop/range manufacturer installation instructions before making any cutouts.
- Grounded electrical outlet is required. See "Electrical Requirements" section.
- The hood is factory-set for vented installations. For non-vented (recirculating) installations, charcoal filter pad Part Number 4396846 is available from your dealer.
- All openings in ceiling and wall where range hood will be installed must be sealed.

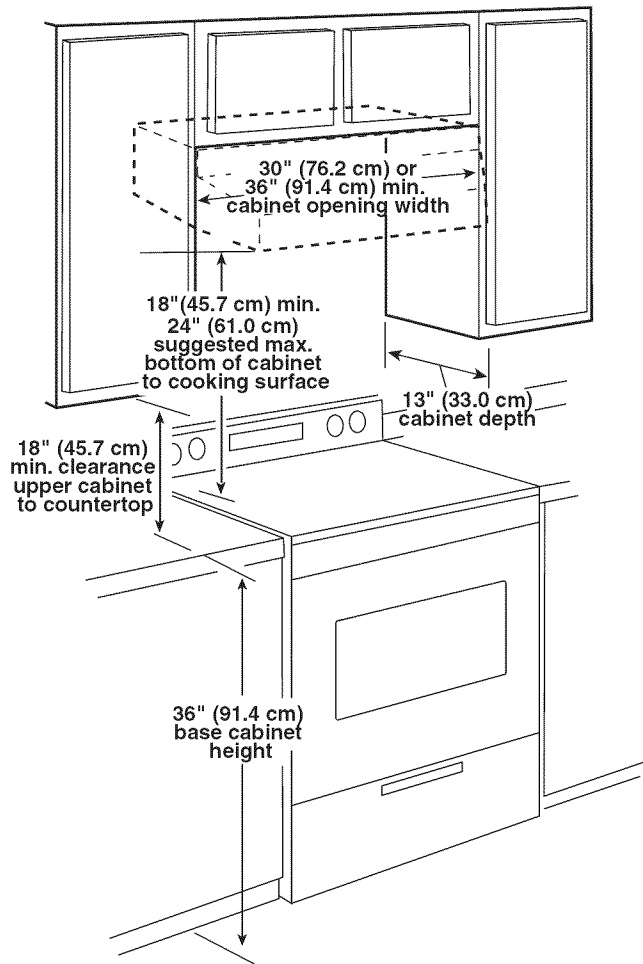
For Mobile Home Installations

The installation of this range hood must conform to the Manufactured Home Construction Safety Standards, Title 24 CFR, Part 328 (formerly the Federal Standard for Mobile Home Construction and Safety, title 24, HUD, Part 280) or when such standard is not applicable, the standard for Manufactured Home Installation 1982 (Manufactured Home Sites, Communities and Setups) ANSI A225.1/NFPA 501A*, or latest edition, or with local codes.

Product Dimensions



Installation Clearances



Venting Requirements

(vented models only)

- Vent system must terminate to the outdoors, except for non-vented (recirculating) installations.
- Do not terminate the vent system in an attic or other enclosed area.
- Do not use a 4" (10.2 cm) laundry-type wall cap.
- Use a 7" (17.8 cm) round metal vent or a 3¼" x 10" (8.3 x 25.4 cm) rectangular metal vent. Rigid metal vent is recommended. Plastic or metal foil vent is not recommended.
- The length of vent system and number of elbows should be kept to a minimum to provide efficient performance.

For the most efficient and quiet operation:

- Use no more than three 90° elbows.
- Make sure there is a minimum of 24" (61 cm) of straight vent between the elbows if more than 1 elbow is used.
- Do not install 2 elbows together.
- Use clamps to seal all joints in the vent system.
- The vent system must have a damper. If roof or wall cap has a damper, do not use damper supplied with the range hood.
- Use caulking to seal exterior wall or roof opening around the cap.

Cold Weather Installations

An additional back draft damper should be installed to minimize backward cold air flow and a thermal break should be installed to minimize conduction of outside temperatures as part of the vent system. The damper should be on the cold air side of the thermal break.

The break should be as close as possible to where the vent system enters the heated portion of the house.

Makeup Air

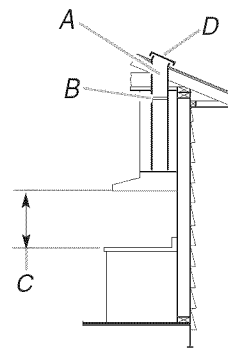
Local building codes may require the use of make up air systems when using ventilation systems greater than specified CFM of air movement. The specified CFM varies from locale to locale. Consult your HVAC professional for specific requirements in your area.

Venting Methods

Vent system can terminate either through the roof or wall. Use 3¼" x 10" (8.3 x 25.4 cm) with a maximum vent length of 35 ft (10.7 m) or 7" (17.8 cm) round vent with a maximum length of 50 ft (15.2 m) for vent system.

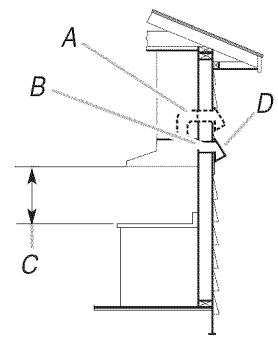
NOTE: Flexible vent is not recommended. Flexible vent creates back pressure and air turbulence that gently reduces performance.

Roof Venting



- A. 7" (17.8 cm) round vent or a 3¼" x 10" (8.3 x 25.4 cm) vent through roof
- B. Round vent: use 7" (17.8 cm) round damper (purchased separately)
- C. 18" (45.7 cm) - 24" (61.0 cm) above cooking surface
- D. Roof cap

Wall Venting




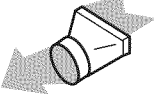
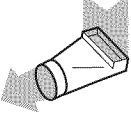


- A. 7" (17.8 cm) round vent or a 3¼" x 10" (8.3 x 25.4 cm) vent through the wall
- B. 3¼" x 10" (8.3 x 25.4 cm) through the wall
- C. 18" (45.7 cm) - 24" (61.0 cm) above cooking surface
- D. Wall cap

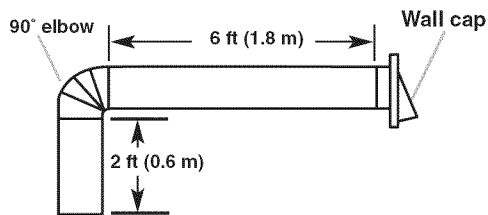
Calculating Vent System Length

To calculate the length of the system you need, add the equivalent feet (meters) for each vent piece used in the system.

7" (17.8 cm) Vent System

Vent Piece	7" (17.8 cm) Round	
45° elbow	2.5 ft (0.8 m)	
90° elbow	5.0 ft (1.5 m)	
7" (17.8 cm) wall cap	0.0 ft (0.0 m)	
3/4" x 10" (8.3 cm x 25.4 cm) to 7" (17.8 cm)	4.5 ft (1.4 m)	
3/4" x 10" (8.3 cm x 25.4 cm) to 7" (17.8 cm) 90° elbow	5.0 ft (1.5 m)	

Example vent system



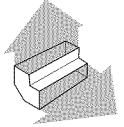
Maximum Recommended Length = 50 ft (15.2 m)

1 - 90° elbow	= 5.0 ft (1.5 m)
1 - wall cap	= 0.0 ft (0.0 m)
8 ft (2.4 m) straight	= 8.0 ft (2.4 m)
Length of 7" (17.8 cm) system	= 13.0 ft (3.9 m)

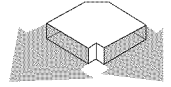
3/4" x 10" (8.3 cm x 25.4 cm) Vent System

Vent Piece

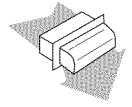
3/4" x 10" (8.3 cm x 25.4 cm) 90° elbow = 5.0 ft (1.5 m)



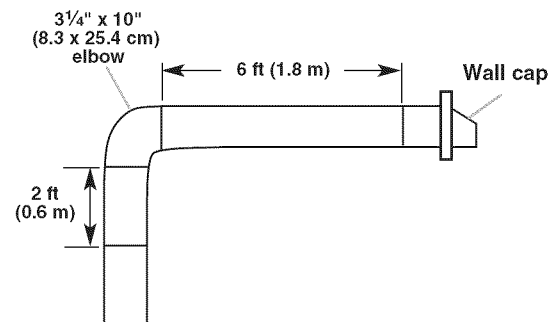
3/4" x 10" (8.3 cm x 25.4 cm) flat elbow = 12.0 ft (3.7 m)



3/4" x 10" (8.3 cm x 25.4 cm) wall cap = 0.0 ft (0.0 m)



Example vent system



Maximum Recommended Length = 35 ft (10.7 m)

1 - 90° elbow	= 5.0 ft (1.5 m)
8 ft (2.4 m) straight	= 8.0 ft (2.4 m)
1 - wall cap	= 0.0 ft (0.0 m)
Length of 3/4" x 10" (8.3 cm x 25.4 cm) system	= 13.0 ft (3.9 m)

Electrical Requirements

Observe all governing codes and ordinances.

Ensure that the electrical installation is adequate and in conformance with National Electrical Code, ANSI/NFPA 70 (latest edition), or CSA Standards C22.1-94, Canadian Electrical Code, Part 1 and C22.2 No. 0-M91 (latest edition) and all local codes and ordinances.

If codes permit and a separate ground wire is used, it is recommended that a qualified electrician determine that the ground path is adequate.

A copy of the above code standards can be obtained from:

National Fire Protection Association
One Batterymarch Park
Quincy, MA 02269

CSA International
8501 East Pleasant Valley Road
Cleveland, OH 44131-5575

- A 120 Volt, 60 Hz., AC only, 15-amp, fused electrical circuit is required.

- If the house has aluminum wiring follow the procedure below:
 1. Connect a section of solid copper wire to the pigtail leads.
 2. Connect the aluminum wiring to the added section of copper wire using special connectors and/or tools designed and UL listed for joining copper to aluminum.Follow the electrical connector manufacturer's recommended procedure. Aluminum/copper connection must conform with local codes and industry accepted wiring practices.
- Wire sizes and connections must conform with the rating of the appliance as specified on the model/serial rating plate. The model/serial plate is located behind the filter on the rear wall of the hood.
- Wire sizes must conform to the requirements of the National Electrical Code, ANSI/NFPA 70 (latest edition), or CSA Standards C22.1-94, Canadian Electrical Code, Part 1 and C22.2 No. 0-M91 (latest edition) and all local codes and ordinances.

INSTALLATION INSTRUCTIONS

Prepare Location

NOTE: For vented installations, it is recommended that the vent system be installed before hood is installed.

Before making cutouts, make sure there is proper clearance within the ceiling or wall for exhaust vent.

1. For vented installations, determine which venting method to use: roof or wall.
2. Select a flat surface for assembling the range hood. Place covering over that surface.

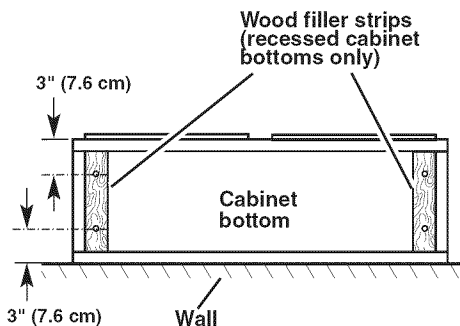
⚠ WARNING

Excessive Weight Hazard

Use two or more people to move and install range hood.

Failure to do so can result in back or other injury.

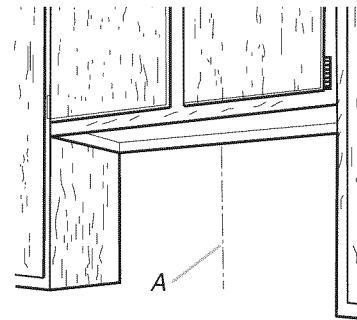
3. Using 2 or more people, lift the range hood onto covered surface.
4. If cabinet has recessed bottom, add wood filler strips on each side. Install screws to attach filler strips in locations shown.



Determine Wiring Hole Location

Cut only one 1 1/4" (3.2 cm) diameter wiring access hole. See Step 2 for wiring hole location instructions. Either wiring hole can be used.

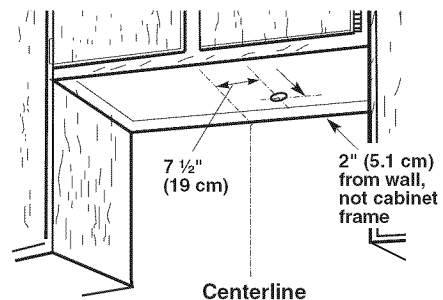
1. Determine and clearly mark a vertical centerline on the wall and cabinet in the area the vent opening will be made.



A. Centerline

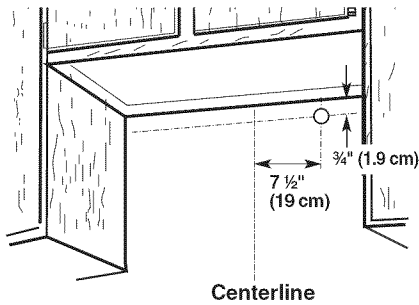
2. **To wire through top:**

Mark a line 7 1/2" (19.0 cm) from the right of the centerline on the underside of the cabinet. Mark the point on this line that is 2" (5.0 cm) from back wall. Drill a 1 1/4" (3.0 cm) diameter hole through the cabinet at this point.



To wire through rear wall:

Mark a line $7\frac{1}{2}$ " (19.0 cm) from the right of the centerline on the wall. Mark the point on this line that is $\frac{3}{4}$ " (1.9 cm) from underside of cabinet. Drill a $1\frac{1}{4}$ " (3.0 cm) diameter hole through wall at this point.

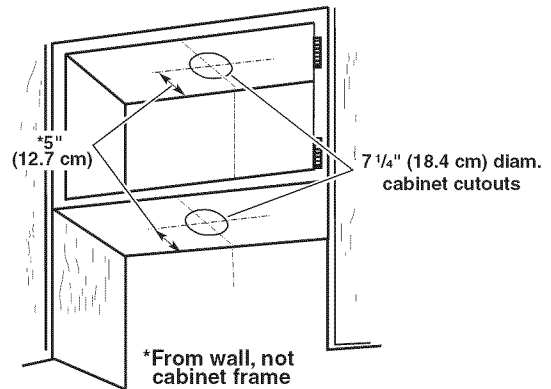


Style 2 - Cut Openings for 7" (17.8 cm) Round Vent System

Roof Venting

To make a $7\frac{1}{4}$ " (18.4 cm) circle on the underside of the cabinet top and bottom:

1. Mark a centerline on the underside of the cabinet bottom.
2. Mark a line 5" (12.7 cm) from the back wall on the underside of the top of cabinet.
3. Draw a circle using a compass or $7\frac{1}{4}$ " (18.4 cm) circle template.
4. Use saber or keyhole saw to cut a $7\frac{1}{4}$ " (18.4 cm) diameter opening.
5. Repeat steps 1-4 for the underside of the top of the cabinet.

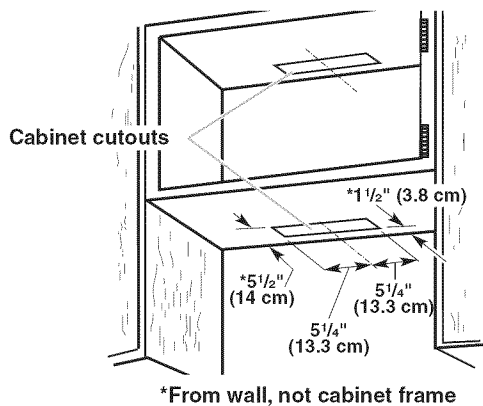


Style 1 - Cut Openings for 3 1/4" x 10" (8.3 cm x 25.4 cm) Rectangular Vent System

Roof Venting

To make a 4 " x $10\frac{1}{2}$ " (10.2 cm x 26.7 cm) rectangular cutout on the underside of cabinet top and bottom:

1. Mark lines $1\frac{1}{2}$ " (3.8 cm) and $5\frac{1}{2}$ " (14.0 cm) from the back wall on the centerline of the underside of cabinet.
2. Mark lines $5\frac{1}{4}$ " (13.3 cm) to the right and left of the centerline on the underside of cabinet.
3. Use saber or keyhole saw to cut a rectangular opening for vent.
4. Repeat steps 1-3 for the underside of the top of the cabinet.

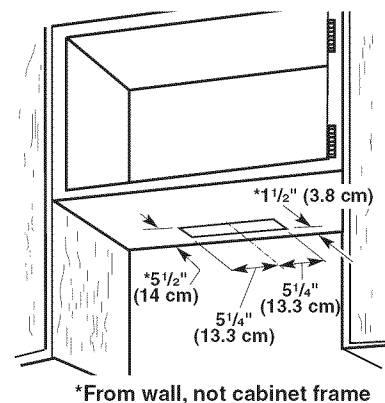


Style 3 - Cut Openings for 3 1/4" x 10" (8.3 x 25.4 cm) Rectangular Vent to 7" (17.8 cm) Round Vent Transition

Roof Venting

To make a 4 " x $10\frac{1}{2}$ " (10.2 x 26.7 cm) rectangular cutout on the underside of cabinet bottom:

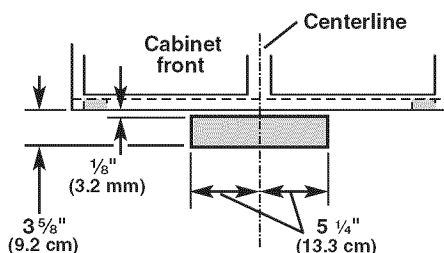
1. Mark lines $1\frac{1}{2}$ " (3.8 cm) and $5\frac{1}{2}$ " (14.0 cm) from the back wall on the centerline of the underside of cabinet.
2. Mark lines $5\frac{1}{4}$ " (13.3 cm) to the right and left of the centerline on the underside of cabinet.
3. Use saber or keyhole saw to cut a rectangular opening for vent.



Wall Venting

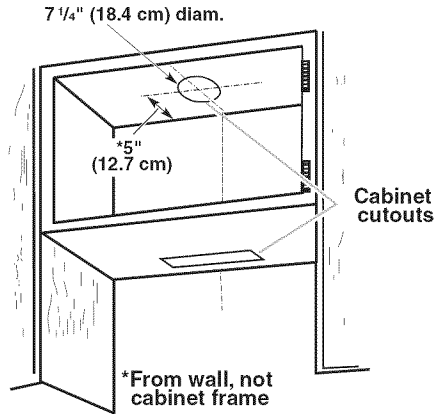
To make a 4 " x $10\frac{1}{2}$ " (10.2 cm x 26.7 cm) rectangle in the wall:

1. Make 2 lines by measuring from floor $65\frac{7}{8}$ " (167.3 cm) and $62\frac{3}{8}$ " (158.4 cm) or $\frac{1}{8}$ " (3.2 mm) and $3\frac{5}{8}$ " (9.2 cm) down from underside of cabinet and mark on the centerline on the back wall.
2. Mark lines $5\frac{1}{4}$ " (13.3 cm) to the right and left of the centerline on the wall.
3. Use saber or keyhole saw to cut a rectangular opening in the wall for the vent.



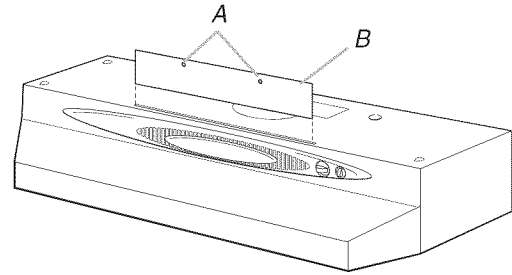
To make a 7¼" (18.4 cm) circle on the underside of the cabinet top:

1. Mark a centerline on the underside of the top of cabinet.
2. Mark a line 5" (12.7 cm) from the back wall on the underside of the top of cabinet.
3. Draw a circle using a compass or 7¼" (18.4 cm) circle template.
4. Use saber or keyhole saw to cut a 7¼" (18.4 cm) diameter opening.



For vented installations

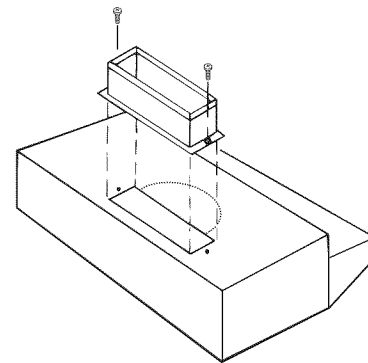
1. Insert the baffle plate into the slot behind the grille. The locator bumps should be at the top.



2. Remove either top or rear rectangular vent knockout. If using round vent, remove both top rectangular and semicircular knockouts.
3. Install vent connector:

If using a vertical rectangular vent:

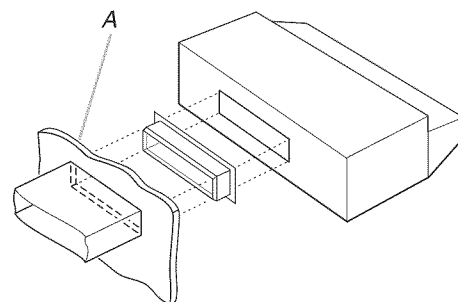
Attach rectangular damper/vent connector to the top of the range hood using 2 screws.



If using a horizontal rectangular vent:

Attach rectangular damper/vent connector to the back of the range hood using 2 screws. Insert damper vent connection through the wall cutout and into the vent.

NOTE: If the wall cap is directly behind the vent connector, the dampers in the connector and wall cap must not interfere with each other. Remove the vent connector damper if they interfere.

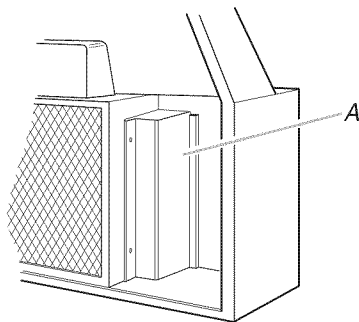


Install Vent System

1. Install vent through the vent opening in upper cabinet or wall. Complete venting system according to the selected venting method. See "Venting Requirements" section.
2. Use caulking to seal exterior wall or roof opening around the cap.

Prepare Range Hood

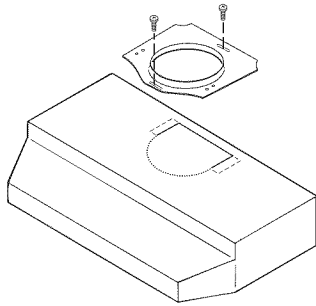
1. Remove terminal box cover. Depending on your installation, remove either back or top wiring knockout.



2. Remove the rectangular and round vent connectors from hood. Set the connectors and screws aside for use if connecting to a rectangular vent system.

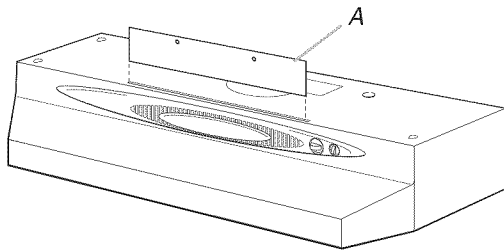
If using a vertical round vent:

Attach round vent connector with 2 screws. Install a round damper (purchased separately).



For non-vented installations

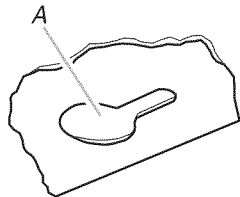
Check that the baffle plate has not been installed in the slot behind the grille. If it has, remove the baffle plate.



A. Baffle plate

Install Range Hood

1. Lift the range hood up under cabinet and determine final location by centering beneath cabinet. Mark on the underside of cabinet the location of the 4 keyhole mounting slots on the range hood. Set range hood aside on a covered surface.



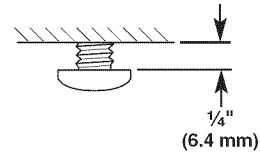
A. Keyhole slot

2. Use 1/8" (3 mm) drill bit and drill 4 pilot holes as shown.



A. Drill pilot hole

3. Install the 4 - #10 x 5/8" mounting screws in pilot holes. Leave about 1/4" (6.4 cm) space between screw heads and cabinet to slide range hood into place.



WARNING



Electrical Shock Hazard

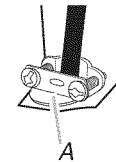
Disconnect power before servicing.

Replace all parts and panels before operating.

Failure to do so can result in death or electrical shock.

4. For Direct Wire Installations:

- Install a UL listed or CSA approved strain relief.



A. UL listed or CSA approved strain relief

- Pull about 12" (30 cm) of wire through wall or cabinet and into opening.

For Power Supply Installations:

- Follow instructions included with power supply cord kit marked for range hoods.

5. Using 2 people, lift range hood into final position, feeding electrical wire through wiring opening. Position the range hood so that the large end of the keyhole slots are over the screws. Then push the hood toward the wall so that the screws are in the neck of the slots. Tighten mounting screws to cabinet, making sure mounting screws are in narrow neck of slots.

6. Check that damper, if used, rotates up and down freely.

7. For Vented Installations Only:

Connect ventwork to hood. Seal joints with clamps to make secure and airtight.

Make Electrical Connection

⚠ WARNING



Fire Hazard

Electrically ground the blower.

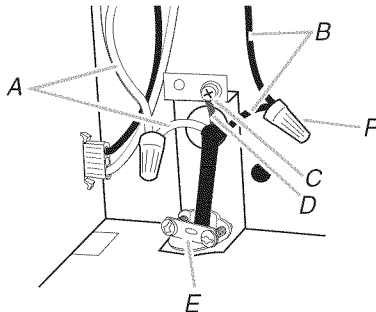
Use copper wire.

Connect ground wire to green ground screw in terminal box.

Failure to do so can result in death, fire, or electrical shock.

Direct Wire Installation

1. Connect the white wire of the home power supply cable with the white wire in the range hood using a UL listed wire connector.



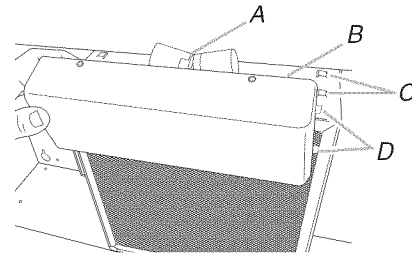
- A. White wires
- B. Black wires
- C. Green ground screw
- D. Ground wire
- E. UL listed or CSA approved strain relief
- F. UL listed wire connector

2. Connect the black wire of the home power supply cable with the black wire in the range hood using a UL listed wire connector.
3. Connect ground wire (green or bare) of home power supply cable to the green ground screw in the terminal box.
4. Tighten strain relief screws.
5. Install the terminal box cover.
6. Reconnect power.

Complete Installation

Install 40-watt (max) type A-15 appliance light bulbs.

1. Squeeze both sides of the lens cover to remove the tabs from the slots in the range hood and remove lens cover.



- A. Light bulb socket
- B. Lens cover
- C. Lens cover slots
- D. Lens cover tabs

2. Screw two 40-watt light bulbs into sockets.
3. Reinstall lens cover by squeezing both sides of the lens cover and inserting the tabs into the slots in the range hood.

Install Charcoal filter

For non-vented (recirculating) installations:

Install charcoal filter pad Part Number 4396388 available from your dealer. See "Range Hood Care" section for installation instructions.

Check Range Hood Operation

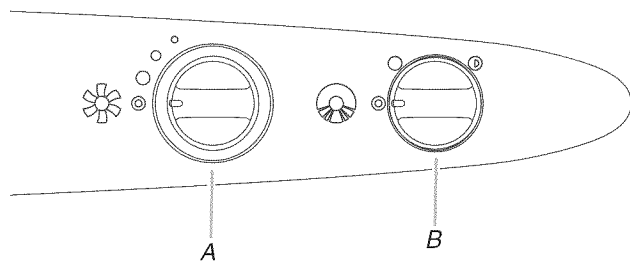
1. Check light operation by turning the light knob.
2. Check operation of fan by turning the fan knob.
3. If the range hood does not operate, check to see whether a circuit breaker has tripped or a house fuse has blown.
4. **NOTE:** To get the most efficient use from your new range hood, read the "Range Hood Use" section.

RANGE HOOD USE

Range Hood Controls

The range hood is designed to remove smoke, cooking vapors and odors from the cooktop area. For best results, start the hood before cooking and allow it to operate several minutes after the cooking is complete to clear all smoke and odors from the kitchen.

The hood controls are located on the front right-hand side of the range hood.



A. Fan control
B. Light control

Operating the Light

The LIGHT control is shown in the off position. For maximum lighting, rotate the control clockwise 45°. Rotate the control clockwise another 45° for minimum lighting.

Operating the Fan

The FAN control is shown in the off position. To turn the fan on, rotate the control clockwise. The fan speed will start at high. Rotating the control clockwise will vary the speed from high to low. The speed can be changed anytime during fan operation.

RANGE HOOD CARE

Cleaning

IMPORTANT: Clean the hood and grease filters frequently according to the following instructions. Replace grease filters before operating hood.

Exterior Surfaces:

To avoid damage to the exterior surface, do not use steel wool or soap-filled scouring pads.

Always wipe dry to avoid water marks.

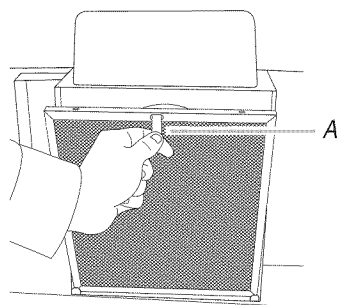
Cleaning Method:

- Liquid detergent soap and water, or all-purpose cleanser
- Wipe with damp soft cloth or nonabrasive sponge, then rinse with clean water and wipe dry.

Metal Grease Filter:

For vented installations:

1. Grasp tab at front center of filter. Push toward back to release the filter from spring clips at front. Pull down then forward to remove aluminum mesh filter.



A. Tab

2. Wash metal filters as needed in dishwasher or hot detergent solution.
3. Reinstall filter by inserting it into the channel at the back of the range hood. Grasp the tab and pull forward so that the filter snaps under the spring clips at the front of the range hood.

Non-Vented (recirculating) Installation Filters:

The charcoal filter is not washable. Replace with Kit Number 4396388.

To replace charcoal filter:

1. Grasp tab at front center of filter. Push toward back to release the filter from spring clips at front. Pull down then forward to remove the charcoal filter.
2. Install new charcoal filter with the blue side against the range hood by inserting it into the channel at back of the range hood.
3. Grasp the tab and pull forward so that the filter snaps under the spring clips at the front of the range hood.

ASSISTANCE OR SERVICE

When calling for assistance or service, please know the purchase date and the complete model and serial number of your appliance. This information will help us to better respond to your request.

If you need replacement parts

If you need to order replacement parts, we recommend that you use only factory specified parts. Factory specified parts will fit right and work right because they are made with the same precision used to build every new appliance. To locate factory specified replacement parts in your area, call us or your nearest designated service center.

In the U.S.A.

Call the Whirlpool Customer eXperience Center toll free: **1-800-253-1301**.

Our consultants provide assistance with:

- Features and specifications on our full line of appliances.
- Installation information.
- Use and maintenance procedures.
- Accessory and repair parts sales.
- Specialized customer assistance (Spanish speaking, hearing impaired, limited vision, etc.).
- Referrals to local dealers, repair parts distributors and service companies. Whirlpool designated service technicians are trained to fulfill the product warranty and provide after-warranty service, anywhere in the United States.

To locate the Whirlpool designated service company in your area, you can also look in your telephone directory Yellow Pages.

For further assistance

If you need further assistance, you can write to Whirlpool Corporation with any questions or concerns at:

Whirlpool Brand Home Appliances
Customer eXperience Center
553 Benson Road
Benton Harbor, MI 49022-2692

Please include a daytime phone number in your correspondence.

In Canada

Call the Whirlpool Canada LP Customer eXperience Centre toll free: **1-800-807-6777**.

Our consultants provide assistance with:

- Features and specifications on our full line of appliances.
- Use and maintenance procedures.
- Accessory and repair parts sales.
- Referrals to local dealers, repair parts distributors, and service companies. Whirlpool Canada LP designated service technicians are trained to fulfill the product warranty and provide after-warranty service, anywhere in Canada.

For further assistance

If you need further assistance, you can write to Whirlpool Canada LP with any questions or concerns at:

Customer eXperience Centre
Whirlpool Canada LP
1901 Minnesota Court
Mississauga, Ontario L5N 3A7

Please include a daytime phone number in your correspondence.

WHIRLPOOL CORPORATION MAJOR APPLIANCE WARRANTY

LIMITED WARRANTY

For one year from the date of purchase, when this major appliance is operated and maintained according to instructions attached to or furnished with the product, Whirlpool Corporation or Whirlpool Canada LP (hereafter "Whirlpool") will pay for Factory Specified Parts and repair labor to correct defects in materials or workmanship. Service must be provided by a Whirlpool designated service company. This limited warranty is valid only in the United States or Canada and applies only when the major appliance is used in the country in which it was purchased. Outside the 50 United States and Canada, this limited warranty does not apply. Proof of original purchase date is required to obtain service under this limited warranty.

ITEMS EXCLUDED FROM WARRANTY

This limited warranty does not cover:

1. Service calls to correct the installation of your major appliance, to instruct you on how to use your major appliance, to replace or repair house fuses, or to correct house wiring or plumbing.
2. Service calls to repair or replace appliance light bulbs, air filters or water filters. Consumable parts are excluded from warranty coverage.
3. Repairs when your major appliance is used for other than normal, single-family household use or when it is used in a manner that is contrary to published user or operator instructions and/or installation instructions.
4. Damage resulting from accident, alteration, misuse, abuse, fire, flood, acts of God, improper installation, installation not in accordance with electrical or plumbing codes, or use of consumables or cleaning products not approved by Whirlpool.
5. Cosmetic damage, including scratches, dents, chips or other damage to the finish of your major appliance, unless such damage results from defects in materials or workmanship and is reported to Whirlpool within 30 days from the date of purchase.
6. Any food loss due to refrigerator or freezer product failures.
7. Costs associated with the removal from your home of your major appliance for repairs. This major appliance is designed to be repaired in the home and only in-home service is covered by this warranty.
8. Repairs to parts or systems resulting from unauthorized modifications made to the appliance.
9. Expenses for travel and transportation for product service if your major appliance is located in a remote area where service by an authorized Whirlpool servicer is not available.
10. The removal and reinstallation of your major appliance if it is installed in an inaccessible location or is not installed in accordance with published installation instructions.
11. Major appliances with original model/serial numbers that have been removed, altered or cannot be easily determined. This warranty is void if the factory applied serial number has been altered or removed from your major appliance.

The cost of repair or replacement under these excluded circumstances shall be borne by the customer.

DISCLAIMER OF IMPLIED WARRANTIES; LIMITATION OF REMEDIES

CUSTOMER'S SOLE AND EXCLUSIVE REMEDY UNDER THIS LIMITED WARRANTY SHALL BE PRODUCT REPAIR AS PROVIDED HEREIN. IMPLIED WARRANTIES, INCLUDING WARRANTIES OF MERCHANTABILITY OR FITNESS FOR A PARTICULAR PURPOSE, ARE LIMITED TO ONE YEAR OR THE SHORTEST PERIOD ALLOWED BY LAW. WHIRLPOOL SHALL NOT BE LIABLE FOR INCIDENTAL OR CONSEQUENTIAL DAMAGES. SOME STATES AND PROVINCES DO NOT ALLOW THE EXCLUSION OR LIMITATION OF INCIDENTAL OR CONSEQUENTIAL DAMAGES, OR LIMITATIONS ON THE DURATION OF IMPLIED WARRANTIES OF MERCHANTABILITY OR FITNESS, SO THESE EXCLUSIONS OR LIMITATIONS MAY NOT APPLY TO YOU. THIS WARRANTY GIVES YOU SPECIFIC LEGAL RIGHTS, AND YOU MAY ALSO HAVE OTHER RIGHTS WHICH VARY FROM STATE TO STATE OR PROVINCE TO PROVINCE.

If outside the 50 United States and Canada, contact your authorized Whirlpool dealer to determine if another warranty applies.

If you need service, first see the "Troubleshooting" section of the Use & Care Guide. After checking "Troubleshooting," you may find additional help by checking the "Assistance or Service" section or by calling Whirlpool. In the U.S.A., call **1-800-253-1301**. In Canada, call **1-800-807-6777**.

9/07

Keep this book and your sales slip together for future reference. You must provide proof of purchase or installation date for in-warranty service.

Write down the following information about your major appliance to better help you obtain assistance or service if you ever need it. You will need to know your complete model number and serial number. You can find this information on the model and serial number label located on the product.

Dealer name _____

Address _____

Phone number _____

Model number _____

Serial number _____

Purchase date _____

SÉCURITÉ DE LA HOTTE DE CUISINIÈRE

Votre sécurité et celle des autres est très importante.

Nous donnons de nombreux messages de sécurité importants dans ce manuel et sur votre appareil ménager. Assurez-vous de toujours lire tous les messages de sécurité et de vous y conformer.



Voici le symbole d'alerte de sécurité.

Ce symbole d'alerte de sécurité vous signale les dangers potentiels de décès et de blessures graves à vous et à d'autres.

Tous les messages de sécurité suivront le symbole d'alerte de sécurité et le mot "DANGER" ou "AVERTISSEMENT". Ces mots signifient :

⚠ DANGER

Risque possible de décès ou de blessure grave si vous ne suivez pas immédiatement les instructions.

⚠ AVERTISSEMENT

Risque possible de décès ou de blessure grave si vous ne suivez pas les instructions.

Tous les messages de sécurité vous diront quel est le danger potentiel et vous disent comment réduire le risque de blessure et ce qui peut se produire en cas de non-respect des instructions.

IMPORTANTES INSTRUCTIONS DE SÉCURITÉ

AVERTISSEMENT : POUR RÉDUIRE LE RISQUE D'INCENDIE, CHOC ÉLECTRIQUE OU DOMMAGES CORPORELS, RESPECTER LES INSTRUCTIONS SUIVANTES :

- Utiliser cet appareil uniquement dans les applications envisagées par le fabricant. Pour toute question, contacter le fabricant.
- Avant d'entreprendre un travail d'entretien ou de nettoyage, interrompre l'alimentation de la hotte au niveau du tableau de disjoncteurs, et verrouiller le tableau de disjoncteurs pour empêcher tout rétablissement accidentel de l'alimentation du circuit. Lorsqu'il n'est pas possible de verrouiller le tableau de disjoncteurs, placer sur le tableau de disjoncteurs une étiquette d'avertissement proéminente interdisant le rétablissement de l'alimentation.
- Tout travail d'installation ou câblage électrique doit être réalisé par une personne qualifiée, dans le respect des prescriptions de tous les codes et normes applicables, y compris les codes du bâtiment et de protection contre les incendies.
- Une source d'air de débit suffisant est nécessaire pour le fonctionnement correct de tout appareil à gaz (combustion et évacuation des gaz à combustion par la cheminée), pour qu'il n'y ait pas de reflux des gaz de combustion. Respecter les directives du fabricant de l'équipement de chauffage et les prescriptions des normes de sécurité - comme celles publiées par la National Fire Protection Association (NFPA) et l'American Society for Heating, Refrigeration and Air Conditioning Engineers (ASHRAE), et les prescriptions des autorités réglementaires locales.
- Lors d'opérations de découpage et de perçage dans un mur ou un plafond, veiller à ne pas endommager les câblages électriques ou canalisations qui peuvent s'y trouver.
- Les ventilateurs d'évacuation doivent toujours décharger l'air à l'extérieur.

MISE EN GARDE : Cet appareil est conçu uniquement pour la ventilation générale. Ne pas l'utiliser pour l'extraction de matières ou vapeurs dangereuses ou explosives.

MISE EN GARDE : Pour minimiser le risque d'incendie et évacuer adéquatement les gaz, veiller à acheminer l'air aspiré par un conduit jusqu'à l'extérieur - ne pas décharger l'air aspiré dans un espace vide du bâtiment comme une cavité murale, un plafond, un grenier, un vide sanitaire ou un garage.

AVERTISSEMENT : POUR RÉDUIRE LE RISQUE D'INCENDIE, UTILISER UNIQUEMENT DES CONDUITS MÉTALLIQUES.

AVERTISSEMENT : POUR MINIMISER LE RISQUE D'UN FEU DE GRAISSE SUR LA CUISINIÈRE :

- Ne jamais laisser un élément de surface fonctionner à puissance de chauffage maximale sans surveillance. Un renversement/débordement de matière grasseuse pourrait provoquer une inflammation et la génération de fumée. Utiliser une puissance de chauffage moyenne ou basse pour le chauffage d'huile.
- Veiller à toujours faire fonctionner le ventilateur de la hotte lors de la cuisson avec une puissance de chauffage élevée ou lors de la cuisson d'un mets à flamber (à savoir crêpes Suzette, cerise jubilee, steak au poivre flambé).
- Nettoyer fréquemment les ventilateurs d'extraction. Veiller à ne pas laisser la graisse s'accumuler sur les surfaces du ventilateur ou des filtres.
- Utiliser toujours un ustensile de taille appropriée. Utiliser toujours un ustensile adapté à la taille de l'élément chauffant.

AVERTISSEMENT : POUR RÉDUIRE LE RISQUE DE DOMMAGES CORPORELS APRÈS LE DÉCLENCHEMENT D'UN FEU DE GRAISSE SUR LA CUISINIÈRE, APPLIQUER LES RECOMMANDATIONS SUIVANTES :^a

- Placer sur le récipient un couvercle bien ajusté, une tôle à biscuits ou un plateau métallique **POUR ÉTOUFFER LES FLAMMES**, puis éteindre le brûleur. **VEILLER À ÉVITER LES BRÛLURES**. Si les flammes ne s'éteignent pas immédiatement, **ÉVACUER LA PIÈCE ET APPELER LES POMPIERS**.
- **NE JAMAIS PRENDRE EN MAIN UN RÉCIPIENT ENFLAMMÉ** - vous risquez de vous brûler.
- **NE PAS UTILISER D'EAU**, ni un torchon humide - ceci pourrait provoquer une explosion de vapeur brûlante.
- Utiliser un extincteur **SEULEMENT** si :
 - Il s'agit d'un extincteur de classe ABC, dont on connaît le fonctionnement.
 - Il s'agit d'un petit feu encore limité à l'endroit où il s'est déclaré.
 - Les pompiers ont été contactés.
 - Il est possible de garder le dos orienté vers une sortie pendant l'opération de lutte contre le feu.

^aRecommandations tirées des conseils de sécurité en cas d'incendie de cuisine publiés par la NFPA.

- **AVERTISSEMENT :** Pour réduire le risque d'incendie ou de choc électrique, ne pas utiliser ce ventilateur avec un quelconque dispositif de réglage de la vitesse à semi-conducteurs.

CONSERVEZ CES INSTRUCTIONS

EXIGENCES D'INSTALLATION

Outillage et pièces

Rassembler les outils et composants nécessaires avant d'entreprendre l'installation. Lire et observer les instructions fournies avec chacun des outils de la liste ci-dessous.

Outils nécessaires

- Perceuse
- Foret de 1 1/4" (3,0 cm)
- Foret de 1/8" (3,0 mm) pour avant-trous
- Crayon
- Pince à dénuder ou couteau utilitaire
- Mètre-ruban ou règle
- Pistolet à calfeutrage et composé de calfeutrage résistant aux intempéries
- Tournevis à lame plate
- Tournevis Phillips

Pour une installation avec décharge à l'extérieur, vous aurez également besoin de :

- Scie sauteuse ou scie à guichet
- Brides de serrage pour conduit d'évacuation
- Cisaille de ferblantier
- Compas ou gabarit de diamètre 8" (20,3 cm)

Pièces fournies

Retirer les pièces de l'emballage. Vérifier que toutes les pièces sont présentes.

- Filtre
- 4 vis de montage n° 10 de 5/8"
- Plaque de raccord de transition rond de 7" (17,8 cm)
- Module clapet/connecteur de conduit de 7" (17,8 cm)
- Module clapet/connecteur de conduit de 3 1/4" x 10" (8,3 x 25,4 cm)

Pièces nécessaires

Pour une installation à raccordement direct

- Serre-câble de 1/2" (12,5 mm) (homologation UL ou CSA)
- Deux ampoules à incandescence de 40 watts maximum.
- Câble d'alimentation (si nécessaire pour une installation à raccordement direct)

Pour une installation avec cordon d'alimentation électrique

- Ensemble de connexion – Cordon d'alimentation électrique (homologation UL) conçu pour l'utilisation sur une hotte de cuisinière.
- Deux ampoules à incandescence de 40 watts maximum.

Pour une installation avec décharge à l'extérieur :

- Conduit métallique pour circuit d'évacuation 3 1/4" x 10" (8,3 x 25,4 cm) ou de dia. de 7" (17,8 cm)
- Clapet anti-reflux dia 7" (17,8 cm) pour utilisation avec circuit d'évacuation rond de dia. de 7" (17,8 cm)

Pour placards avec cavité au fond :

- Deux tringles d'appui de largeur 2" (5,1 cm). Longueur et épaisseur selon les dimensions de l'encastrement.

- Quatre vis à bois à tête plate ou vis à métaux avec rondelles et écrous, pour la fixation des tringles d'appui.

Exigences d'emplacement

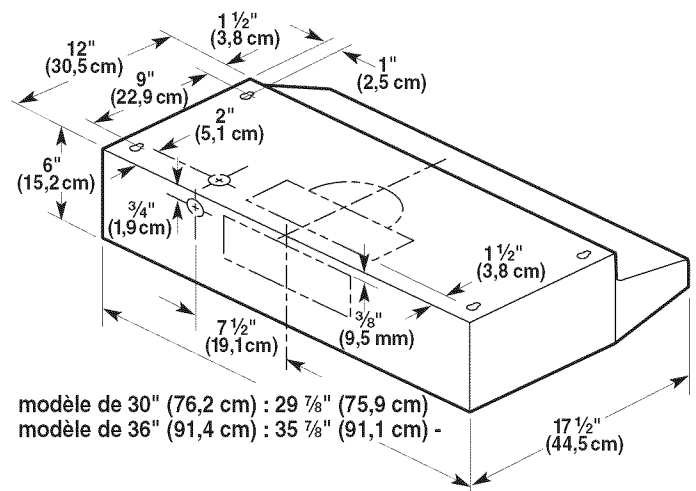
IMPORTANT : Observer les dispositions de tous les codes et règlements en vigueur.

- C'est à l'installateur qu'incombe la responsabilité de respecter les distances de séparation exigées, spécifiées sur la plaque signalétique de l'appareil. La plaque signalétique est située à l'intérieur de la hotte, sur la paroi arrière.
- Installer la hotte de cuisinière à distance de toute zone exposée à des courants d'air, comme fenêtres, portes et bouches de chauffage.
- Respecter les dimensions indiquées pour les ouvertures à découper dans les placards; ces dimensions tiennent compte des valeurs minimales des dégagements de séparation. Avant d'effectuer des découpages, consulter les instructions d'installation fournies par le fabricant de la table de cuisson/cuisinière.
- On doit disposer d'une prise de courant électrique reliée à la terre. Voir la section "Spécifications électriques".
- La hotte a été configurée à l'usine pour une installation avec décharge à l'extérieur. Pour une installation sans décharge à l'extérieur (recyclage), on doit installer un filtre à charbon (pièce n° 4396846), disponible chez le marchand.
- Assurer l'étanchéité au niveau de chaque ouverture découpée dans le plafond ou le mur pour l'installation de la hotte de cuisinière.

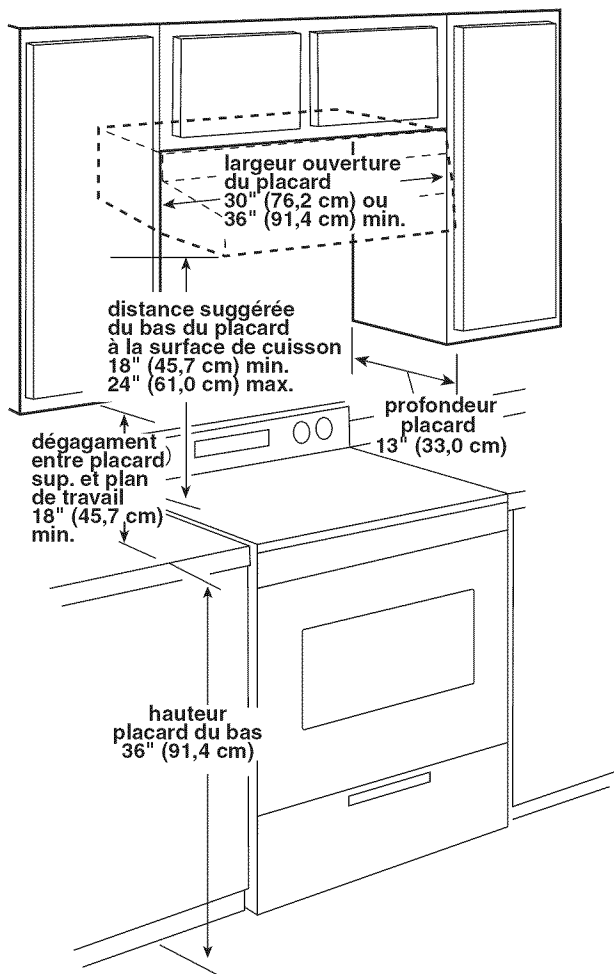
Installation dans une résidence mobile

L'installation de ce circuit d'évacuation doit satisfaire aux exigences de la norme Manufactured Home Construction Safety Standards, Titre 24 CFR, partie 328 (anciennement Federal Standard for Mobile Home Construction and Safety, titre 24, HUD, partie 280); lorsque cette norme n'est pas applicable, l'installation doit satisfaire aux critères de la plus récente édition de la norme Manufactured Home Installation 1982 (Manufactured Home Sites, Communities and Setups) ANSI A225.1/NFPA 501A*, ou des codes et règlements locaux.

Dimensions du produit



Dégagements de séparation à respecter



Exigences concernant l'évacuation (Uniquement pour modèles avec évacuation)

- Le système d'évacuation doit décharger l'air à l'extérieur, excepté pour les installations sans décharge à l'extérieur (recyclage).
- Ne pas terminer le conduit d'évacuation dans un grenier ou dans un autre espace fermé.
- Ne pas utiliser une bouche de décharge murale de 4" (10,2 cm) normalement utilisée pour un équipement de buanderie.
- Utiliser un conduit métallique rond de 7" (17,8 cm) de diamètre ou conduit métallique rectangulaire de 3¼" x 10" (8,3 cm x 25,4 cm). Un conduit en métal rigide est recommandé. Ne pas utiliser un conduit de plastique ou en feuille métallique.
- La longueur du système d'évacuation et le nombre de coudes doit être réduit au minimum pour fournir la meilleure performance.

Pour un fonctionnement efficace et silencieux :

- Ne pas utiliser plus de trois coudes à 90°.
- Veiller à ce qu'il y ait une section droite de conduit de 24" (61,0 cm) ou plus entre deux coudes, si on doit utiliser plus de un raccord coudé.
- Ne pas installer 2 coudes ensemble.

- Au niveau de chaque jointure du conduit de décharge, assurer l'étanchéité avec les brides de serrage pour conduit.
- Le système d'évacuation doit comporter un clapet. Si la bouche de décharge murale ou par le toit comporte un clapet, ne pas utiliser le clapet fourni avec la hotte de cuisinière.
- Autour de la bouche de décharge à l'extérieur, assurer l'étanchéité avec un produit de calfeutrage.

Installations pour régions à climat froid

On doit installer un clapet anti-reflux additionnel à l'arrière pour minimiser le reflux d'air froid, et incorporer un élément d'isolation thermique pour minimiser la conduction de chaleur par l'intermédiaire du conduit d'évacuation, de l'intérieur de la maison à l'extérieur. Le clapet anti-reflux doit être placé du côté air froid par rapport à l'élément d'isolation thermique.

L'élément d'isolation thermique doit être aussi proche que possible de l'endroit où le système d'évacuation s'introduit dans la partie chauffée de la maison.

Air d'appoint

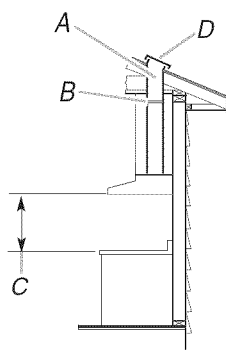
Le code du bâtiment local peut exiger l'emploi d'un système d'appoint d'air lors de l'emploi d'un ventilateur d'extraction dont la capacité d'aspiration est supérieure à un débit (pieds cubes par minute) spécifié. Le débit spécifié, en pieds cubes par minute, est variable d'une juridiction à une autre. Consulter un professionnel des installations de chauffage ventilation/climatisation au sujet des exigences spécifiques applicables dans la juridiction locale.

Méthodes d'évacuation

La sortie à l'extérieur du circuit d'évacuation peut se faire à travers le toit ou à travers un mur. La longueur effective du circuit ne doit pas dépasser 35 pi (10,7 m) dans le cas d'un conduit rectangulaire de 3¼" x 10" (8,3 x 25,4 cm), ou 50 pi (15,2 m) dans le cas d'un conduit rond de diamètre 7" (17,8 cm).

REMARQUE : On déconseille l'emploi d'un conduit flexible. Un conduit flexible peut susciter une rétro-pression et des turbulences de l'air, ce qui réduit la performance.

Décharge à travers le toit



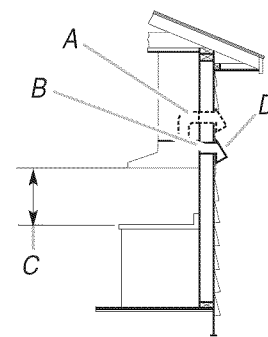
A. Conduit de diamètre 7" (17,8 cm) ou 3¼" x 10" (8,3 x 25,4 cm) à travers le toit

B. Conduit rond : utiliser un clapet rond de 7" (17,8 cm) de diamètre (achat séparé)

C. 18" (45,7 cm) - 24" (61,0 cm) au-dessus de la surface de cuisson

D. Bouche de décharge sur toit

Décharge à travers le mur



A. Conduit de diamètre 7" (17,8 cm) ou conduit rectangulaire de 3¼" x 10" (8,3 x 25,4 cm) à travers le toit

B. Sortie à travers le mur pour conduit rectangulaire 3¼" x 10" (8,3 x 25,4 cm)




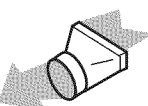
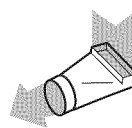
C. 18" (45,7 cm) - 24" (61,0 cm) au-dessus de la surface de cuisson

D. Bouche de décharge murale

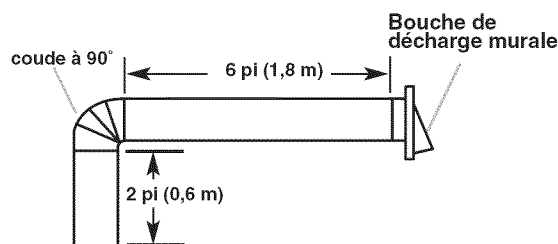
Calcul de la longueur effective du circuit d'évacuation

Pour calculer la longueur effective du circuit d'évacuation nécessaire, additionner les longueurs équivalentes (pieds/mètres) de tous les composants utilisés dans le système.

Système de décharge de 7" (17,8 cm)

Composant	Conduit de diamètre 7" (17,8 cm)	
Coude à 45°	2,5 pi (0,8 m)	
Coude à 90°	5 pi (1,5 m)	
Bouche de décharge murale de 7" (17,8 cm)	0 pi (0 m)	
3/4" x 10" (8,3 cm x 25,4 cm) à 7" (17,8 cm)	4,5 pi (1,4 m)	
Coude à 90° de 3/4" x 10" (8,3 cm x 25,4 cm) à 7" (17,8 cm)	5 pi (1,5 m)	

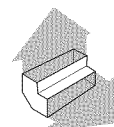
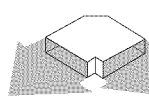
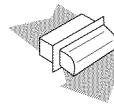
Exemple de système de décharge



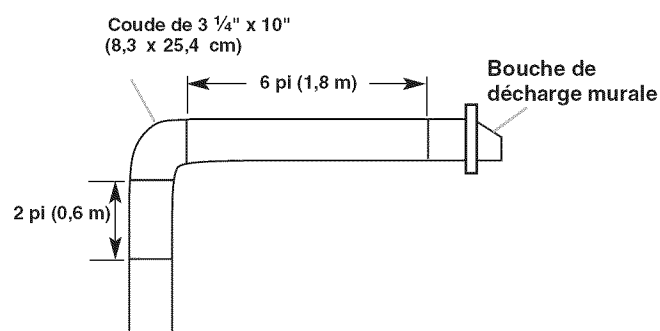
Longueur maximale recommandée = 50 pi (15,2 m)

1 - coude à 90°	= 5 pi (1,5 m)
1 - bouche de décharge murale	= 0 pi (0 m)
section droite de 8 pi (2,4 m)	= 8 pi (2,4 m)
Longueur du système de dia. 7" (17,8 cm)	= 13 pi (3,9 m)

Système de décharge de 3/4" x 10" (8,3 cm x 25,4 cm)

Composant		
Coude à 90° de 3/4" x 10" (8,3 cm x 25,4 cm)	5 pi (1,5 m)	
Coude plat de 3/4" x 10" (8,3 cm x 25,4 cm)	12 pi (3,7 m)	
Bouche de décharge murale de 3/4" x 10" (8,3 cm x 25,4 cm)	0 pi (0 m)	

Exemple de système de décharge



Longueur maximale recommandée = 35 pi (10,7 m)

1 - coude à 90°	= 5 pi (1,5 m)
section droite de 8 pi (2,4 m)	= 8 pi (2,4 m)
1 - bouche de décharge murale	= 0 pi (0 m)
Longueur du système de 3/4" x 10" (8,3 cm x 25,4 cm)	= 13 pi (3,9 m)

Spécifications électriques

Observer les dispositions de tous les codes et règlements en vigueur.

L'installation électrique doit satisfaire les exigences de la plus récente édition de la norme National Electrical Code, ANSI/NFPA 70, ou de la norme CSA C22.1-94, Code canadien de l'électricité, partie 1 et C22.2 N° 0-M91 (dernière édition) et de tous les codes et règlements en vigueur locaux.

Si les codes le permettent et si on utilise un conducteur distinct de liaison à la terre, il est recommandé qu'un électricien qualifié vérifie la qualité de la liaison à la terre.

Pour obtenir un exemplaire de la norme des codes ci-dessus, contacter :

National Fire Protection Association
One Batterymarch Park
Quincy, MA 02269

CSA International
8501 East Pleasant Valley Road
Cleveland, OH 44131-5575

- L'appareil doit être alimenté par un circuit de 120 V, CA seulement, 60 Hz, 15 A, protégé par fusible.

■ Si le domicile est équipé d'un câblage en aluminium, suivre les instructions suivantes :

1. Connecter une section de câble en cuivre massif aux conducteurs en queue de cochon.
2. Connecter le câblage en aluminium à la section ajoutée de câblage en cuivre en utilisant des connecteurs et/ou des outils spécialement conçus et homologués UL pour fixer le cuivre à l'aluminium.

Appliquer la procédure recommandée par le fabricant des connecteurs. La connexion aluminium/cuivre doit être conforme aux codes locaux et aux pratiques de câblage acceptées par l'industrie.

■ Le calibre des conducteurs et les connexions doivent être compatibles avec la demande de courant de l'appareil spécifiée sur la plaque signalétique. La plaque signalétique de l'appareil est située derrière le filtre, sur la paroi arrière de la hotte.

■ Le calibre des conducteurs doit satisfaire les exigences de la plus récente édition de la norme National Electrical Code, ANSI/NFPA 70, ou de la norme CSA C22.1-94, Code canadien de l'électricité, partie 1 et C22.2 n° 0-M91 (dernière édition) et de tous les codes et règlements en vigueur.

INSTRUCTIONS D'INSTALLATION

Préparation de l'emplacement

REMARQUE : Installations avec décharge à l'extérieur : on recommande d'installer le circuit d'évacuation avant d'entreprendre l'installation de la hotte.

Avant d'exécuter les découpages, vérifier la disponibilité d'un espace de passage suffisant dans le plafond ou le mur pour le conduit d'évacuation.

1. Pour les installations avec décharge à l'extérieur, déterminer la méthode d'évacuation à utiliser : à travers le toit ou à travers le mur.
2. Sélectionner une surface plane pour l'assemblage de la hotte. Placer le matériau de protection sur cette surface.

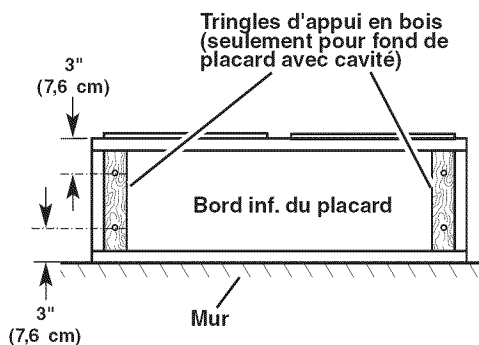
AVERTISSEMENT

Risque du poids excessif

Utiliser deux ou plus de personnes pour déplacer et installer la hotte de la cuisinière.

Le non-respect de cette instruction peut causer une blessure au dos ou d'autre blessure.

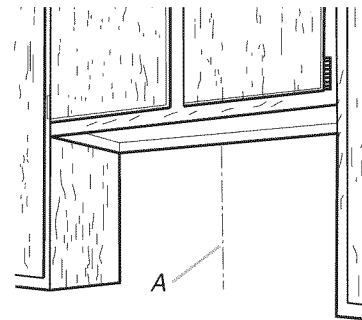
3. À l'aide de 2 personnes ou plus, soulever la hotte et la poser sur la surface couverte.
4. Si le fond du placard forme une cavité, ajouter des tringles d'appui en bois (seulement pour fond de placard avec cavité).



Déterminer l'emplacement du trou de passage du câble

Percer seulement un trou de passage de 1¼" (3,2 cm) de diamètre pour le câble d'alimentation. Voir l'étape 2 pour des instructions sur l'emplacement du trou de passage du câble. On peut utiliser l'un ou l'autre des emplacements indiqués pour le trou de passage du câble.

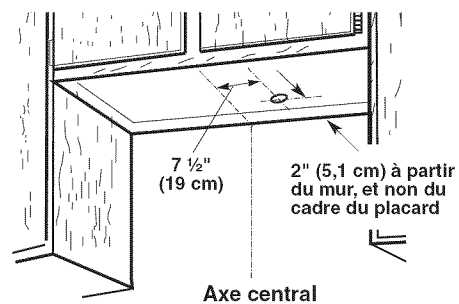
1. Sur le mur et le placard dans la zone où le passage du conduit d'évacuation va être réalisé, déterminer et tracer l'axe central vertical.



A. Axe central

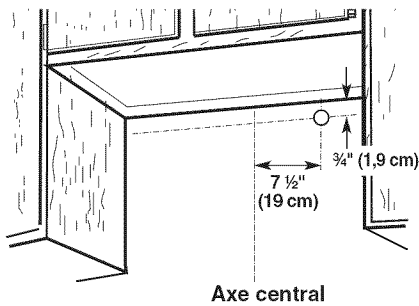
2. **Câblage à travers le fond du placard :**

Tracer une ligne à 7½" (19,0 cm) à droite de l'axe central, sur la face inférieure du placard. Sur cette ligne, marquer le point situé à 2" (5,0 cm) du mur arrière. Percer en ce point un trou de 1¼" (3,0 cm) de diamètre à travers le fond du placard.

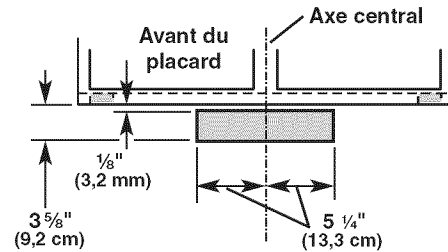


Câblage à travers le mur arrière :

Tracer une ligne à 7 1/2" (19,0 cm) à droite de l'axe central tracé sur le mur. Sur cette ligne, marquer le point situé à 3/4" (1,9 cm) du fond du placard. Percer à cet endroit un trou de 1 1/4" (3,0 cm) de diamètre à travers le mur.



3. Utiliser une scie sauteuse ou une scie à guichet pour découper l'ouverture rectangulaire du système d'évacuation dans le mur.

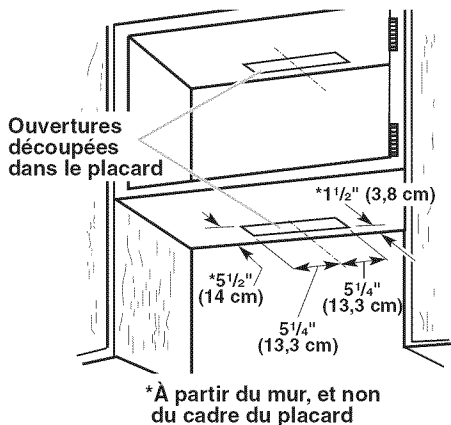


Style 1 - Découpage d'ouverture pour un système d'évacuation rectangulaire de 3 1/4" x 10" (8,3 cm x 25,4 cm)

Décharge à travers le toit

Découpage d'une ouverture rectangulaire de 4" x 10 1/2" (10,2 cm x 26,7 cm) dans le fond et le sommet du placard :

1. Tracer des lignes à 1 1/2" (3,8 cm) et 5 1/2" (14 cm) du mur arrière sur l'axe central de la face inférieure du placard.
2. Tracer des lignes à 5 1/4" (13,3 cm) de part et d'autre de l'axe central sur la face inférieure du placard.
3. Utiliser une scie sauteuse ou une scie à guichet pour découper l'ouverture rectangulaire pour le passage du conduit d'évacuation.
4. Répéter les étapes 1 à 3 pour la paroi inférieure du sommet du placard



Décharge à travers le mur

Découpage d'une ouverture rectangulaire de 4" x 10 1/2" (10,2 cm x 26,7 cm) dans le mur :

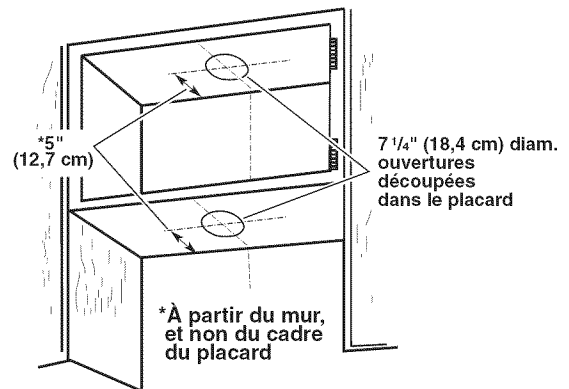
1. Tracer 2 lignes à partir du sol en mesurant 65 7/8" (167,3 cm) et 62 3/8" (158,4 cm) ou 1/8" (3,2 mm) et 3 5/8" (9,2 cm) à partir du dessous du placard et marquer l'axe central sur le mur arrière.
2. Tracer des lignes à 5 1/4" (13,3 cm) de part et d'autre de l'axe central sur le mur.

Style 2 - Découpage d'ouverture pour un système d'évacuation rond de 7" (17,8 cm)

Décharge à travers le toit

Découpage d'une ouverture circulaire de 7 1/4" (18,4 cm) sur la partie inférieure du sommet et sous le fond du placard :

1. Tracer un axe central sous le fond du placard.
2. Tracer une ligne de 5" (12,7 cm) en partant du mur arrière sur la partie inférieure du sommet du placard.
3. Tracer un cercle en utilisant un compas ou un gabarit circulaire de 7 1/4" (18,4 cm).
4. Utiliser une scie sauteuse ou une scie à guichet pour découper une ouverture de 7 1/4" (18,4 cm) de diamètre.
5. Répéter les étapes 1 à 4 pour la paroi du sommet du placard.



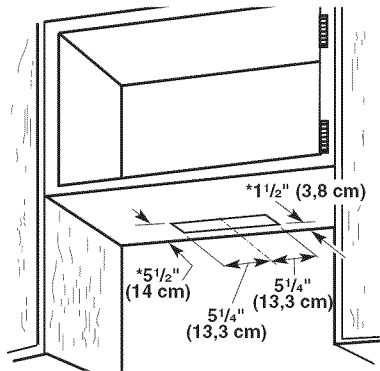
Style 3 - Découpage d'ouverture pour un conduit rectangulaire de 3 1/4" x 10" (8,3 x 25,4 cm) sur raccord de transition rond de diamètre 7" (17,8 cm)

Décharge à travers le toit

Découpage d'une ouverture rectangulaire de 4" x 10 1/2" (10,2 cm x 26,7 cm) sous le placard :

1. Tracer des lignes à 1 1/2" (3,8 cm) et 5 1/2" (14 cm) du mur arrière sur l'axe central de la face inférieure du placard.
2. Tracer des lignes à 5 1/4" (13,3 cm) de part et d'autre de l'axe central sur la face inférieure du placard.

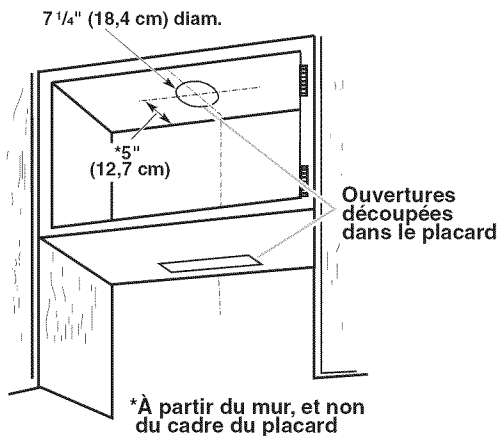
- Utiliser une scie sauteuse ou une scie à guichet pour découper l'ouverture rectangulaire pour le passage du conduit d'évacuation.



*À partir du mur, et non du cadre du placard

Découpage d'une ouverture circulaire de 7 1/4" (18,4 cm) sous la partie inférieure du sommet du placard :

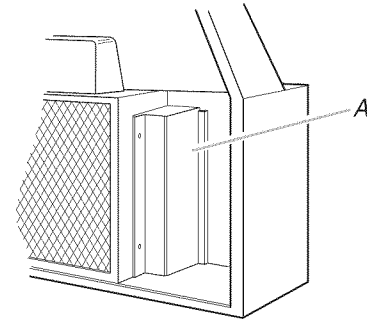
- Tracer un axe central sur la partie inférieure du sommet du placard.
- Tracer une ligne de 5" (12,7 cm) en partant du mur arrière sur la partie inférieure du sommet du placard.
- Tracer un cercle en utilisant un compas ou un gabarit circulaire de 7 1/4" (18,4 cm).
- Utiliser une scie sauteuse ou une scie à guichet pour découper une ouverture de 7 1/4" (18,4 cm) de diamètre.



*À partir du mur, et non du cadre du placard

Préparation de la hotte

- Ôter le couvercle de la boîte de connexion. Selon votre configuration d'installation, enlever un opercule arrachable à l'arrière ou au sommet.

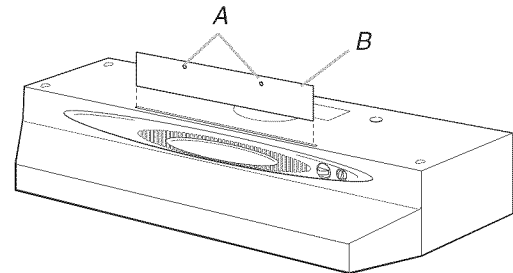


A. Couvercle du boîtier de connexion

- Enlever de la hotte les connecteurs rectangulaires et ronds au niveau du conduit d'évacuation. Conserver les connecteurs et vis à part pour le raccordement d'un circuit d'évacuation de conduit rectangulaire.

Installations avec décharge à l'extérieur

- Insérer la plaque du déflecteur dans l'encoche située derrière la grille. Les boudoirs de repère doivent se trouver au sommet.



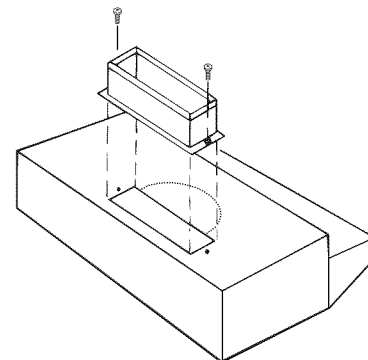
A. Boudoirs de repère

B. Plaque du déflecteur

- Enlever l'opercule arrachable de l'ouverture rectangulaire de l'arrière ou du sommet. Pour un conduit rond, enlever au sommet l'opercule rectangulaire et l'opercule en demi-cercle.
- Installation du raccord d'évacuation :

En cas d'utilisation d'un conduit rectangulaire vertical :

Fixer un module rectangulaire de clapet anti-reflux/ connecteur de conduit au sommet de la hotte à l'aide de 2 vis.



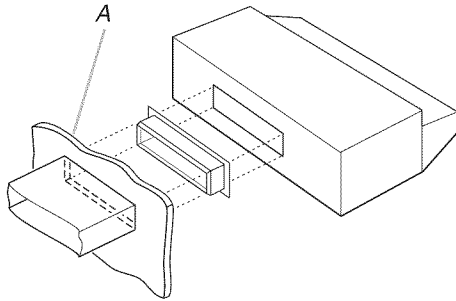
Installation du conduit d'évacuation

- Installer le conduit d'évacuation à travers les ouvertures découpées dans le placard mural ou le mur. Achever l'installation du système d'évacuation conformément à la méthode d'évacuation sélectionnée. Voir la section "Exigences concernant l'évacuation".
- Autour de la bouche de décharge à l'extérieur, assurer l'étanchéité avec un produit de calfeutrage.

En cas d'utilisation d'un conduit rectangulaire horizontal :

Fixer un module rectangulaire de clapet anti-reflux/ connecteur de conduit à l'arrière de la hotte à l'aide de 2 vis. Insérer un raccord d'évacuation de clapet anti-reflux à travers l'ouverture murale et dans le conduit d'évacuation.

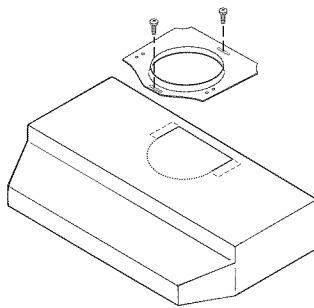
REMARQUE : Si la bouche de décharge murale est située directement derrière le connecteur de conduit, on doit veiller à empêcher toute interférence entre les clapets du connecteur et la bouche de décharge murale. En cas d'interférence, supprimer le clapet du connecteur de conduit.



A. Mur/Ouverture découpée

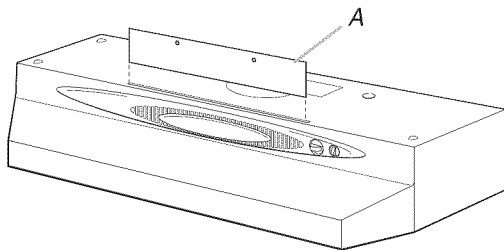
En cas d'utilisation d'un conduit rond vertical :

Réinstaller le connecteur de conduit rond à l'aide de 2 vis. Installer un clapet anti-reflux circulaire (à acheter séparément).



Installations sans décharge à l'extérieur

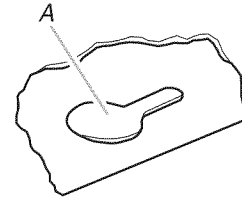
Vérifier que la plaque du déflecteur n'a pas été installée dans l'encoche derrière la grille. Si c'est le cas, enlever la plaque du déflecteur.



A. Plaque du déflecteur

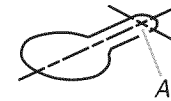
Installation de la hotte

1. Soulever la hotte sous le placard et déterminer sa position d'installation finale en la centrant sous le placard. Sur la face inférieure du placard, marquer l'emplacement des 4 trous de montage en forme de serrure sur la hotte. Placer la hotte à part sur une surface couverte.



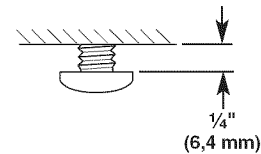
A. Trou en forme de serrure

2. À l'aide d'un foret de 1/8" (3 mm), percer 4 avant-trous tel qu'illustré.



A. Perçage des avant-trous

3. Installer les 4 vis de montage n° 10 x 5/8" dans les avant-trous. Laisser un espace d'environ 1/4" (6,4 cm) entre les têtes des vis et le placard pour faire glisser la hotte et la mettre en place.



⚠ AVERTISSEMENT



Risque de choc électrique

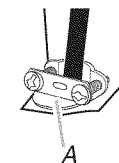
Déconnecter la source de courant électrique avant l'entretien.

Replacer pièces et panneaux avant de faire la remise en marche.

Le non-respect de ces instructions peut causer un décès ou un choc électrique.

4. Pour les installations à raccordement direct :

- Installer un serre-câble (homologation UL ou CSA).



A. Serre-câble (homologation UL ou CSA)

- Tirer environ 12" (30 cm) de câble à travers le mur ou le placard et dans l'ouverture.

Pour les installations avec cordon d'alimentation électrique :

- Suivre les instructions fournies avec l'ensemble du cordon d'alimentation électrique pour hottes de cuisinière.
5. À deux personnes, soulever la hotte jusqu'à sa position finale, tout en insérant le câble électrique à travers le trou de passage du câble. Positionner les trous allongés de la hotte par-dessus la tête des vis. Puis pousser la hotte vers le mur pour engager la partie étroite des trous sur les vis de fixation. Serrer les vis de montage sur le placard, en veillant à ce que chaque vis reste dans la partie étroite du trou de la hotte.
 6. Le cas échéant, vérifier que le clapet anti-reflux peut manœuvrer librement vers le haut et vers le bas.
 7. **Installations avec décharge à l'extérieur seulement :**
Raccorder le circuit d'évacuation à la hotte. Assurer l'étanchéité des jointures avec des brides pour conduits.

Raccordement électrique

AVERTISSEMENT



Risque d'incendie

Relier le ventilateur à la terre.

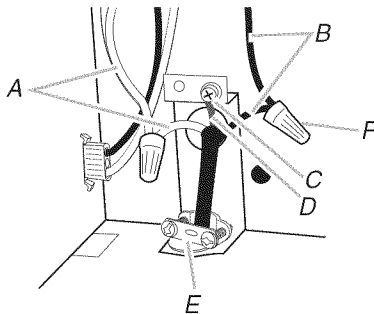
Utiliser du fil en cuivre.

Brancher le fil relié à la terre à la vis verte reliée à la terre dans la boîte de la borne.

Le non-respect de ces instructions peut causer un décès, un incendie ou un choc électrique.

Raccordement par câblage direct

1. Connecter ensemble le conducteur blanc du câble d'alimentation et le conducteur blanc de la hotte, avec un connecteur de fils (homologation UL).



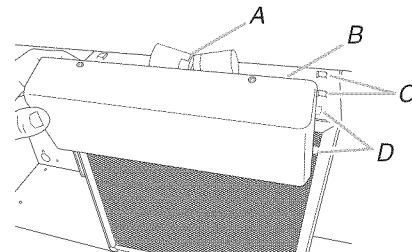
- A. Conducteurs blancs
- B. Conducteurs noirs
- C. Vis verte de liaison à la terre
- D. Conducteur de liaison à la terre
- E. Serre-câble (homologation UL ou CSA)
- F. Connecteur de fils (homologation UL)

2. Connecter ensemble le conducteur noir du câble d'alimentation et le conducteur noir de la hotte, avec un connecteur de fils (homologation UL).
3. Connecter le conducteur (vert ou nu) de liaison à la terre du câble d'alimentation à la vis verte de liaison à la terre dans le boîtier de connexion.
4. Serrer les vis du serre-câble.
5. Réinstaller le couvercle du boîtier de connexion.
6. Reconnecter la source de courant électrique.

Achever l'installation

Installer des ampoules pour appareil ménager de 40 watts (max.) et de type A 15.

1. Serrer les deux côtés du cabochon pour ôter les onglets des encoches de la hotte et retirer les cabochons.



- A. Douille de l'ampoule
- B. Cabochon
- C. Encoches
- D. Onglets du cabochon

2. Visser deux ampoules de 40 watts dans les douilles.
3. Réinstaller le cabochon en serrant les deux côtés du cabochon et en insérant les onglets dans les encoches de la hotte.

Installation du filtre à charbon

Installations sans décharge à l'extérieur (recyclage) :

Installer le filtre à charbon (pièce n° 4396388) disponible chez le marchand. Voir la section "Entretien de la hotte" pour des instructions d'installation.

Vérifier le fonctionnement de la hotte

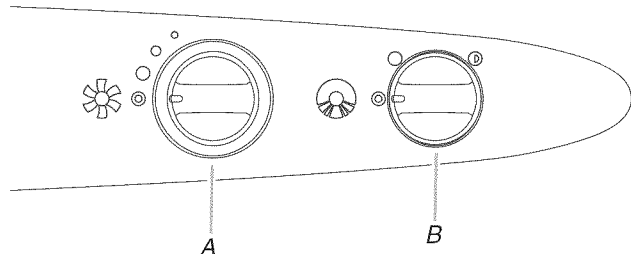
1. Vérifier le fonctionnement de la lampe en tournant le bouton de commande de l'éclairage.
2. Vérifier le fonctionnement du ventilateur en tournant le bouton de commande du ventilateur.
3. Si la hotte ne fonctionne pas, déterminer si le circuit est correctement alimenté (disjoncteur ouvert ou fusible grillé?).
4. **REMARQUE :** Pour pouvoir tirer le plus grand parti de la nouvelle hotte de cuisinière, lire la section "Utilisation de la hotte".

UTILISATION DE LA HOTTE

Commandes de la hotte de cuisinière

La hotte de cuisinière est conçue pour extraire fumée, vapeurs de cuisson et odeurs de la zone de la table de cuisson. Pour obtenir les meilleurs résultats, mettre le ventilateur de la hotte en marche avant d'entreprendre une cuisson, et laisser le ventilateur fonctionner pendant plusieurs minutes après l'achèvement d'une cuisson pour pouvoir évacuer de la cuisine toute trace d'odeur de cuisson, vapeur ou fumée.

Les commandes de la hotte sont situées du côté avant-droit de la hotte.



A. Commande du ventilateur
B. Commande d'éclairage

Fonctionnement de l'éclairage

Le bouton de commande LIGHT (éclairage) est représenté à la position d'extinction. Pour une intensité d'éclairage maximum, faire pivoter le bouton de 45° dans le sens horaire. Pour le niveau d'éclairage minimum, faire encore pivoter le bouton de 45° dans le sens horaire.

Fonctionnement du ventilateur

Le bouton de commande FAN (ventilateur) est représenté à la position d'extinction. Pour commander la mise en marche du ventilateur, faire pivoter le bouton de commande dans le sens horaire. Le ventilateur se met en marche initialement à la vitesse maximale. La rotation du bouton de commande dans le sens horaire permet de réduire ou augmenter la vitesse de rotation du ventilateur. On peut modifier la vitesse du ventilateur à tout moment durant son fonctionnement.

ENTRETIEN DE LA HOTTE

Nettoyage

IMPORTANT : Nettoyer fréquemment la hotte et les filtres à graisse en suivant les instructions suivantes. Réinstaller les filtres à graisse avant de faire fonctionner la hotte.

Surfaces externes :

Afin d'éviter d'endommager la surface externe, ne pas utiliser de tampons en laine d'acier ou de tampons à récurer savonneux.

Toujours essuyer pour éviter de laisser des marques d'eau.

Méthode de nettoyage :

- Savon détergent liquide et eau, ou produit de nettoyage polyvalent.
- Frotter avec un chiffon doux humide ou une éponge non abrasive, puis rincer avec de l'eau propre et essuyer.

Filtre à graisse métallique :

Installations avec décharge à l'extérieur :

1. Saisir l'onglet au centre avant du filtre. Pousser vers l'arrière pour libérer le filtre des attaches à ressort à l'avant. Tirer ensuite vers le bas puis vers l'avant pour ôter le filtre métallique en aluminium.

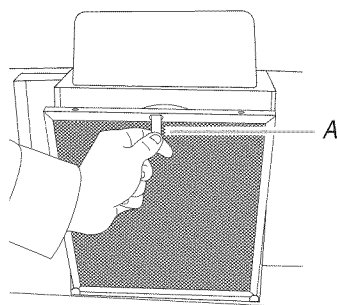
2. Laver le filtre métallique selon le besoin au lave-vaisselle ou avec une solution de détergent chaude.
3. Réinstaller le filtre en l'insérant dans la rainure à l'arrière de la hotte. Saisir l'onglet et tirer vers l'avant de façon à ce que le filtre s'emboîte sous les attaches à ressort à l'avant de la hotte.

Filtres d'installation sans décharge à l'extérieur (recyclage) :

Le filtre à charbon n'est pas lavable. Le remplacer par l'ensemble numéro 4396388.

Remplacement du filtre à charbon :

1. Saisir l'onglet au centre avant du filtre. Pousser vers l'arrière pour libérer le filtre des attaches à ressort à l'avant. Tirer ensuite vers le bas puis vers l'avant pour ôter le filtre à charbon.
2. Installer le nouveau filtre à charbon, côté bleu contre la hotte, en l'insérant dans la rainure à l'arrière de la hotte.
3. Saisir l'onglet et tirer vers l'avant de façon à ce que le filtre s'emboîte sous les attaches à ressort à l'avant de la hotte.



A. Onglet

ASSISTANCE OU SERVICE

Lors d'un appel pour assistance ou service, veuillez connaître la date d'achat, le numéro de modèle et le numéro de série au complet de l'appareil. Ces renseignements nous aideront à mieux répondre à votre demande.

Si vous avez besoin de pièces de rechange

Si vous avez besoin de commander des pièces de rechange, nous vous recommandons d'employer uniquement des pièces spécifiées par l'usine. Les pièces spécifiées par l'usine fonctionneront bien parce qu'elles sont fabriquées avec la même précision utilisée dans la fabrication de chaque nouvel appareil. Pour localiser des pièces spécifiées par l'usine dans votre région, nous appeler ou téléphoner au centre de service désigné le plus proche.

Veuillez appeler sans frais le Centre pour l'eXpérience de la clientèle de Whirlpool Canada LP au : **1-800-807-6777**.

Nos consultants vous renseigneront sur les sujets suivants :

- Caractéristiques et spécifications sur toute notre gamme d'appareils électroménagers.
- Consignes d'utilisation et d'entretien.
- Ventes d'accessoires et de pièces de rechange.
- Références aux marchands locaux, aux distributeurs de pièces de rechange et aux compagnies de service. Les techniciens de service désignés par Whirlpool Canada LP sont formés pour remplir la garantie des produits et fournir un service après la garantie, partout au Canada.

Pour plus d'assistance

Si vous avez besoin de plus d'assistance, vous pouvez soumettre par écrit toute question ou préoccupation à Whirlpool Canada LP à l'adresse suivante :

Centre pour l'eXpérience de la clientèle
Whirlpool Canada LP
1901 Minnesota Court
Mississauga, Ontario L5N 3A7

Veuillez inclure dans votre correspondance un numéro de téléphone où l'on peut vous joindre dans la journée.

GARANTIE DES GROS APPAREILS MÉNAGERS WHIRLPOOL CORPORATION

GARANTIE LIMITÉE

Pendant un an à compter de la date d'achat, lorsque ce gros appareil ménager est utilisé et entretenu conformément aux instructions jointes à ou fournies avec le produit, Whirlpool Corporation ou Whirlpool Canada LP (ci-après désignées "Whirlpool") paiera pour les pièces spécifiées par l'usine et la main-d'œuvre pour corriger les vices de matériaux ou de fabrication. Le service doit être fourni par une compagnie de service désignée par Whirlpool. Cette garantie limitée est valide uniquement aux États-Unis ou au Canada et s'applique exclusivement lorsque l'appareil est utilisé dans le pays où il a été acheté. À l'extérieur du Canada et des 50 États des États-Unis, cette garantie limitée ne s'applique pas. Une preuve de la date d'achat original est exigée pour obtenir un service dans le cadre de la présente garantie limitée.

ARTICLES EXCLUS DE LA GARANTIE

La présente garantie limitée ne couvre pas :

1. Les visites de service pour rectifier l'installation du gros appareil ménager, montrer à l'utilisateur comment utiliser l'appareil, remplacer ou réparer des fusibles ou rectifier le câblage ou la plomberie du domicile.
2. Les visites de service pour réparer ou remplacer les ampoules électriques de l'appareil, les filtres à air ou les filtres à eau. Les pièces consommables ne sont pas couvertes par la garantie.
3. Les réparations lorsque le gros appareil ménager est utilisé à des fins autres que l'usage unifamilial normal ou lorsque les instructions d'installation et/ou les instructions de l'opérateur ou de l'utilisateur fournies ne sont pas respectées.
4. Les dommages imputables à : accident, modification, usage impropre ou abusif, incendie, inondation, actes de Dieu, installation fautive ou installation non conforme aux codes d'électricité ou de plomberie, ou l'utilisation de pièces consommables ou de produits nettoyants non approuvés par Whirlpool.
5. Les défauts apparents, notamment les éraflures, les bosses, fissures ou tout autre dommage au fini du gros appareil ménager, à moins que ces dommages soient dus à des vices de matériaux ou de fabrication et soient signalés à Whirlpool dans les 30 jours suivant la date d'achat.
6. Toute perte d'aliments due à une défaillance du réfrigérateur ou du congélateur.
7. Les coûts associés au transport du gros appareil ménager du domicile pour réparation. Ce gros appareil ménager est conçu pour être réparé à domicile et seul le service à domicile est couvert par la présente garantie.
8. Les réparations aux pièces ou systèmes résultant d'une modification non autorisée faite à l'appareil.
9. Les frais de transport pour le service d'un produit si votre gros appareil est situé dans une région éloignée où un service d'entretien Whirlpool autorisé n'est pas disponible.
10. La dépose et la réinstallation de votre gros appareil si celui-ci est installé dans un endroit inaccessible ou n'est pas installé conformément aux instructions d'installation fournies.
11. Les gros appareils ménagers dont les numéros de série et de modèle originaux ont été enlevés, modifiés ou qui ne peuvent pas être facilement identifiés. La présente garantie est nulle si le numéro de série d'usine a été modifié ou enlevé du gros appareil ménager.

Le coût d'une réparation ou des pièces de rechange dans le cadre de ces circonstances exclues est à la charge du client.

CLAUSE D'EXONÉRATION DE RESPONSABILITÉ AU TITRE DES GARANTIES IMPLICITES; LIMITATION DES RECOURS

LE SEUL ET EXCLUSIF RECOURS DU CLIENT DANS LE CADRE DE LA PRÉSENTE GARANTIE LIMITÉE CONSISTE EN LA RÉPARATION PRÉVUE CI-DESSUS. LES GARANTIES IMPLICITES, Y COMPRIS LES GARANTIES APPLICABLES DE QUALITÉ MARCHANDE ET D'APTITUDE À UN USAGE PARTICULIER, SONT LIMITÉES À UN AN OU À LA PLUS COURTE PÉRIODE AUTORISÉE PAR LA LOI. WHIRLPOOL N'ASSUME AUCUNE RESPONSABILITÉ POUR LES DOMMAGES FORTUITS OU INDIRECTS. CERTAINES JURIDICTIONS NE PERMETTENT PAS L'EXCLUSION OU LA LIMITATION DES DOMMAGES FORTUITS OU INDIRECTS, OU LES LIMITATIONS DE LA DURÉE DES GARANTIES IMPLICITES DE QUALITÉ MARCHANDE OU D'APTITUDE À UN USAGE PARTICULIER, DE SORTE QUE CES EXCLUSIONS OU LIMITATIONS PEUVENT NE PAS S'APPLIQUER DANS VOTRE CAS. CETTE GARANTIE VOUS CONFÈRE DES DROITS JURIDIQUES SPÉCIFIQUES ET VOUS POUVEZ ÉGALEMENT JOUIR D'AUTRES DROITS QUI PEUVENT VARIER D'UNE JURIDICTION À UNE AUTRE.

Si vous résidez à l'extérieur du Canada et des 50 États des États-Unis, contactez votre marchand Whirlpool autorisé pour déterminer si une autre garantie s'applique.

Si vous avez besoin de service, voir d'abord la section "Dépannage" du Guide d'utilisation et d'entretien. Après avoir vérifié la section "Dépannage", de l'aide supplémentaire peut être trouvée en vérifiant la section "Assistance ou service" ou en appelant Whirlpool. Aux É.-U., composer le **1-800-253-1301**. Au Canada, composer le **1-800-807-6777**. 1/08

Conservez ce manuel et votre reçu de vente ensemble pour référence ultérieure. Pour le service sous garantie, vous devez présenter un document prouvant la date d'achat ou d'installation.

Inscrivez les renseignements suivants au sujet de votre gros appareil ménager pour mieux vous aider à obtenir assistance ou service en cas de besoin. Vous devrez connaître le numéro de modèle et le numéro de série au complet. Vous trouverez ces renseignements sur la plaque signalétique située sur le produit.

Nom du marchand _____

Adresse _____

Numéro de téléphone _____

Numéro de modèle _____

Numéro de série _____

Date d'achat _____

