

**Before returning this product
call**

1-800-4-DEWALT

IF YOU SHOULD EXPERIENCE A PROBLEM WITH YOUR DEWALT PURCHASE,

CALL 1-800-4 DEWALT.

IN MOST CASES, A DEWALT REPRESENTATIVE CAN RESOLVE YOUR
PROBLEM OVER THE PHONE.

IF YOU HAVE A SUGGESTION OR COMMENT, GIVE US A CALL.
YOUR FEEDBACK IS VITAL TO THE SUCCESS OF DEWALT'S
QUALITY IMPROVEMENT PROGRAM.

See our catalog on the World Wide Web at www.dewalt.com

**INSTRUCTION MANUAL
GUIDE D'UTILISATION
MANUAL DE INSTRUCCIONES**

INSTRUCTIVO DE OPERACIÓN, CENTROS DE SERVICIO Y PÓLIZA DE
GARANTIA. **ADVERTENCIA:** LEASE ESTE INSTRUCTIVO ANTES DE
USAR EL PRODUCTO. SI TIENE DUDAS, POR FAVOR LLAME.

DEWALT®

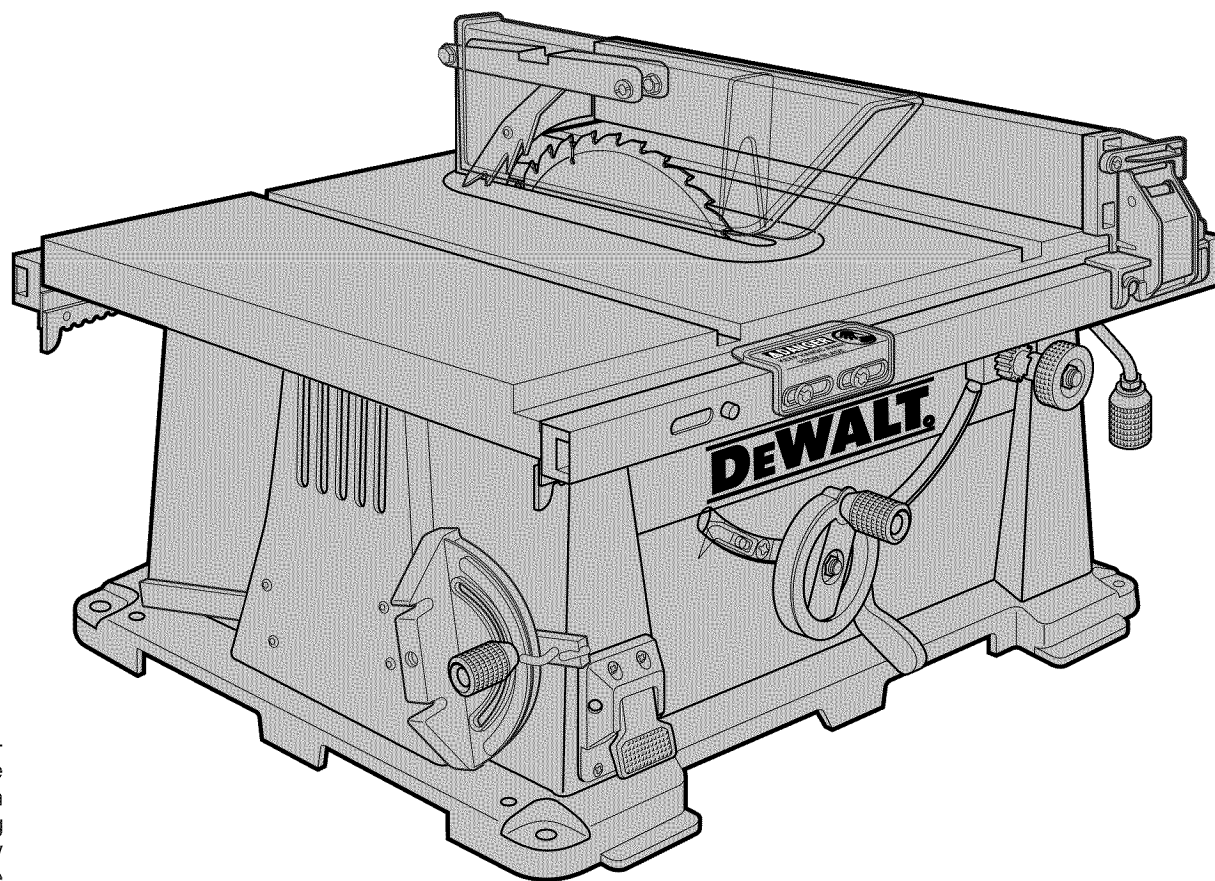
DW744

Table Saw

Scies circulaires à table

Sierra de banco

⚠ WARNING: FOR YOUR OWN SAFETY, READ INSTRUCTION MANUAL BEFORE OPERATING SAW • ALWAYS WEAR EYE PROTECTION • DO NOT WEAR GLOVES, NECKTIES, JEWELRY OR LOOSE CLOTHING • CONTAIN LONG HAIR • KEEP HANDS AND FINGERS OUT OF THE SAW BLADE PATH — USE EXTRA CAUTION WHEN BEVELING • ALWAYS USE BLADE GUARD AND SPREADER FOR EVERY OPERATION FOR WHICH IT CAN BE USED, INCLUDING THROUGH SAWING • USE A “PUSH STICK” WHEN REQUIRED • KNOW HOW TO AVOID KICKBACKS — SEE MANUAL • ALWAYS SUPPORT WORK WITH TABLE AND FENCE OR MITER GAUGE • NEVER USE FENCE AND MITER GAUGE TOGETHER • NEVER REACH AROUND OR OVER SAW BLADE • SECURELY MOUNT SAW BLADE BEFORE OPERATING • NEVER REMOVE JAMMED OR CUT-OFF PIECES UNTIL POWER IS OFF AND BLADE HAS STOPPED • DO NOT EXPOSE TO RAIN OR USE IN DAMP LOCATIONS • SECURE TOOL PROPERLY TO PREVENT UNEXPECTED MOVEMENT • DO NOT OPERATE THIS MACHINE WHILE UNDER THE INFLUENCE OF ALCOHOL OR DRUGS • FAILURE TO COMPLY WITH THESE WARNINGS MAY RESULT IN SERIOUS PERSONAL INJURY.



DEWALT... BUILT JOBSITE TOUGH

DEWALT high performance industrial tools are made for America's toughest industrial and construction applications. The design of every tool in the line – from drills to sanders to grinders – is the result of rigorous use on jobsites and throughout industry. Each tool is produced with painstaking precision using advanced manufacturing systems and intense quality control. Every tool is checked before it leaves the factory to make sure that it meets your standards for durability, reliability and power.

DEWALT Built Jobsite Tough...WE GUARANTEE IT.

▲ **WARNING:** For your own safety read instruction manual before operating table saw.

▲ **WARNING:** When using electric tools, basic safety precautions should always be followed to reduce risk of fire, electric shock, and personal injury, including the following:

Double Insulation

Double insulated tools are constructed throughout with two separate layers of electrical insulation or one double thickness of insulation between you and the tool's electrical system. Tools built with this insulation system are not intended to be grounded. As a result, your tool is equipped with a two prong plug which permits you to use extension cords without concern for maintaining a ground connection.

NOTE: Double insulation does not take the place of normal safety precautions when operating this tool. The insulation system is for added protection against injury resulting from a possible electrical insulation failure within the tool.

▲ **CAUTION:** WHEN SERVICING USE ONLY IDENTICAL REPLACEMENT PARTS. Repair or replace damaged cords.

Polarized Plugs

To reduce the risk of electric shock, this equipment has a polarized plug (one blade is wider than the other). This plug will fit in a polarized outlet only one way. If the plug does not fit fully into the outlet, reverse the plug. If it still does not fit, contact a qualified electrician to install the proper outlet. Do not change the plug in any way.

Important Safety Instructions

- **KEEP GUARDS IN PLACE** and in working order.
- **REMOVE ADJUSTING KEYS AND WRENCHES.** Form habit of checking to see that keys and adjusting wrenches are removed from tool before turning it on.
- **KEEP WORK AREA CLEAN.** Cluttered areas and benches invite injuries.
- **DON'T USE IN DANGEROUS ENVIRONMENT.** Don't use power tools in damp or wet locations, or expose them to rain. Keep work area well lighted.
- **KEEP CHILDREN AWAY.** All visitors should be kept safe distance from work area.
- **MAKE WORKSHOP KID PROOF** with padlocks, master switches, or by removing starter keys.
- **DON'T FORCE TOOL.** It will do the job better and safer at the rate for which it was designed.
- **USE RIGHT TOOL.** Don't force tool or attachment to do a job for which it was not designed.
- **USE PROPER EXTENSION CORD.** Make sure your extension cord is in good condition.

When using an extension cord, be sure to use one heavy enough to carry the current your product will draw. An undersized cord will cause a drop in line voltage resulting in loss of power and overheating. The following table shows the correct size to use depending on cord length and nameplate ampere rating. If in doubt, use the next heavier gage. The smaller the gage number, the heavier the cord.

Minimum Gage for Cord Sets

Volts	Total Length of Cord in Feet			
	0-25	26-50	51-100	101-150
120V	0-25	26-50	51-100	101-150
240V	0-50	51-100	101-200	201-300
Ampere Rating		AWG		
More Than	Not more Than			
0	- 6	18	16	16
6	- 10	18	16	14
10	- 12	16	16	14
12	- 16	14	12	Not Recommended

- **WEAR PROPER APPAREL.** Do not wear loose clothing, gloves, neckties, rings, bracelets, or other jewelry which may get caught in moving parts. Non-slip footwear is recommended. Wear protective hair covering to contain long hair. Air vents often cover moving parts and should also be avoided.

- **ALWAYS USE SAFETY GLASSES.** Also use face or dust mask if cutting operation is dusty. Everyday eyeglasses only have impact resistant lenses, they are not safety glasses.
- **SECURE WORK.** Use clamps or a vise to hold work when practical. It's safer than using your hand and it frees both hands to operate tool.
- **DON'T OVERREACH.** Keep proper footing and balance at all times.
- **MAINTAIN TOOLS WITH CARE.** Keep tools sharp and clean for best and safest performance. Follow instructions for lubricating and changing accessories.
- **DISCONNECT TOOLS** before servicing; when changing accessories, such as blades, bits, cutters, and the like.
- **REDUCE THE RISK OF UNINTENTIONAL STARTING.** Make sure switch is in off position before plugging in.
- **USE RECOMMENDED ACCESSORIES.** Consult the instruction manual for recommended accessories. The use of improper accessories may cause risk of injury to persons.
- **NEVER STAND ON TOOL.** Serious injury could occur if the tool is tipped or if the cutting tool is unintentionally contacted.
- **CHECK DAMAGED PARTS.** Before further use of the tool, a guard or other part that is damaged should be carefully checked to determine that it will operate properly and perform its intended function—check for alignment of moving parts, binding of moving parts, breakage of parts, mounting, and any other conditions that may affect its operation. A guard or other part that is damaged should be properly repaired or replaced.
- **DIRECTION OF FEED.** Feed work into a blade or cutter against the direction of rotation of the blade or cutter only.
- **NEVER LEAVE TOOL RUNNING UNATTENDED. TURN POWER OFF.** Don't leave tool until it comes to a complete stop.
- **REPLACEMENT PARTS.** When servicing, use only identical replacement parts.

Additional Safety Rules for Table Saw

▲ **WARNING:** For your own safety, do not operate your saw until it is completely assembled and installed according to the instructions and until you have read and understood the following:

- All Safety Rules
- Adjustment Procedures
- Assembly Procedures
- Basic Operations
- Operating Controls
- **KEEP GUARDS** in place and in working order.
- **STABILITY.** Make sure table saw is firmly mounted before use.
- **MINIMIZE ACCIDENT POTENTIAL.** Most accidents are caused by failure to follow setup and operating instructions.
- **AVOID** awkward hand positions, where a sudden slip could cause a hand to move into a saw blade or other cutting tool. Never reach in back of, or around, the cutting tool with either hand to hold down the workpiece. **DO NOT PLACE FINGERS OR HANDS IN THE PATH OF THE SAW BLADE.**
- **NEVER** reach under your machine when operating or make any adjustments when it is running.
- **SHUT OFF** the saw and disconnect the power cord when removing the table insert, changing the cutting tool, removing or replacing the blade guard, or making adjustments.
- **ALWAYS** maintain control of the workpiece. **DO NOT** let go of the workpiece until it is well clear of the cutting tool.
- **WHEN REMOVING** short workpieces, or cleaning up around the table, be sure the saw is in the OFF position and blade has stopped turning.
- **NEVER** turn the saw ON before clearing the table of all tools, wood scraps, etc., except the workpiece and related feed or support devices for the operation planned.
- **WHEN** changing saw location, disconnect power.
- **USE** extra caution when the guard assembly is removed for resawing, dadoing, rabbeting, or molding. Replace the guard as soon as that operation is completed.

- **NEVER** hold onto or touch the “free end” of the workpiece or a “free piece” that is cut off, while power is ON and/or the saw blade is rotating.
- **IF YOU STALL OR JAM** the saw blade in the workpiece, turn saw OFF, remove the workpiece from the saw blade, and check to see if the saw blade is parallel to the miter gauge slots or grooves and if the splitter is in proper alignment with the saw blade. If ripping at the time, check to see if the rip fence is parallel with the saw blade. Readjust as indicated.
- ▲ **WARNING:** Do not allow familiarity (gained from frequent use of your saw) to replace following safety rules. Always remember that a careless fraction of a second is sufficient to inflict severe injury.
- **MAKE SURE** your fingers do not contact the terminals of the power cord when installing or removing the plug to or from the line power source.
- **KICKBACKS** - Kickbacks can cause serious injury. A kickback occurs when a part of the workpiece binds between the saw blade and the rip fence, or other fixed object, and rises from the table and is thrown toward the operator. Kickbacks can be avoided by attention to the following conditions:

KICKBACKS—HOW TO AVOID THEM AND PROTECT YOURSELF FROM POSSIBLE INJURY.

 - a) Be certain that the saw blade is parallel to the rip fence. Adjust fence if not parallel.
 - b) Do not rip by applying the feed force to the section of the workpiece that will become the cut-off (free) piece. Feed force when ripping should always be applied between the saw blade and the fence...use a push stick for short work, 6" (152mm) wide or less. For less than 2" (51mm) wide, you must use a special fixture.
 - c) Keep saw blade guard, splitter and anti-kickback teeth in place and operating properly. Keep teeth sharp. **If teeth are not operational, return your unit to the nearest DeWALT Service Center for repair.** The splitter must be in alignment with the saw blade and the teeth must stop a kickback once it has started. Check their action before ripping by pushing the wood under the anti-kickback teeth. The teeth must prevent the wood from being pulled toward the front of the saw.
 - d) Plastic and composition (like hardboard) materials may be cut on your saw. However, since these are usually quite hard and slippery, the anti-kickback teeth may not stop a kickback. Therefore, be especially attentive to following proper set up and cutting procedures for ripping.
 - e) Use saw blade guard and splitter for every operation for which it can be used, including all through sawing.
- **DO NOT** leave a long board (or other workpiece) unsupported so the spring of the board causes it to shift on the table. Provide proper support for the workpiece, based on its size and the type of operation to be performed. Hold the work firmly against the fence and down against the table surface.

- **NEVER** use a length stop on the free end of the workpiece when crosscutting. Never hang onto or touch the free end of the workpiece when crosscutting, or a free piece that is cut off when ripping while power is ON and/or the saw blade is rotating. In short, the cut-off piece in any “thru-sawing” (cutting completely through the workpiece) operation must never be confined — it must be allowed to move away from saw blade.
- **IF YOUR SAW** makes an unfamiliar noise or if it vibrates excessively, cease operating immediately until the source has been located and the problem corrected.
- **KEEP OUT** of the line of saw blade. Stand to the side whenever possible.
- **USE** a push-stick when required. (See page 9)
- **PAY** particular attention to instructions on reducing risk of kickback.
- **DO NOT** perform any operation free hand.
- **NEVER** reach around, behind or over saw blade.
- **USE RECOMMENDED ACCESSORIES.** The use of improper accessories may cause risk of personal injury.

▲ **WARNING:** Some dust created by power sanding, sawing, grinding, drilling, and other construction activities contains chemicals known to cause cancer, birth defects or other reproductive harm. Some examples of these chemicals are:

- lead from lead-based paints,
- crystalline silica from bricks and cement and other masonry products, and
- arsenic and chromium from chemically-treated lumber (CCA).

Your risk from these exposures varies, depending on how often you do this type of work. To reduce your exposure to these chemicals: work in a well ventilated area, and work with approved safety equipment, such as those dust masks that are specially designed to filter out microscopic particles.

- **Avoid prolonged contact with dust from power sanding, sawing, grinding, drilling, and other construction activities. Wear protective clothing and wash exposed areas with soap and water.** Allowing dust to get into your mouth, eyes, or lay on the skin may promote absorption of harmful chemicals.

▲ **WARNING:** Use of this tool can generate and/or disburse dust, which may cause serious and permanent respiratory or other injury. Always use NIOSH/OSHA approved respiratory protection appropriate for the dust exposure. Direct particles away from face and body.

▲ **CAUTION:** Wear appropriate hearing protection during use. Under some conditions and duration of use, noise from this product may contribute to hearing loss.

SAVE THESE INSTRUCTIONS FOR FUTURE USE

FIG. 1

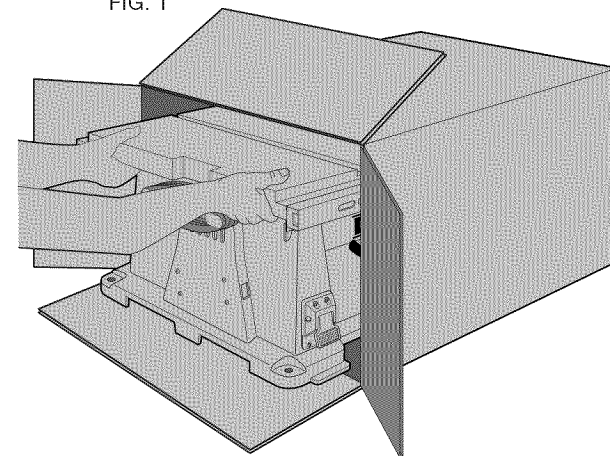


FIG. 2

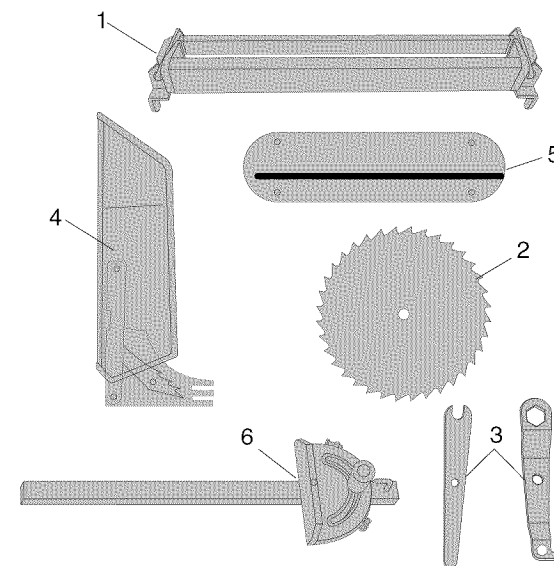


FIG. 3

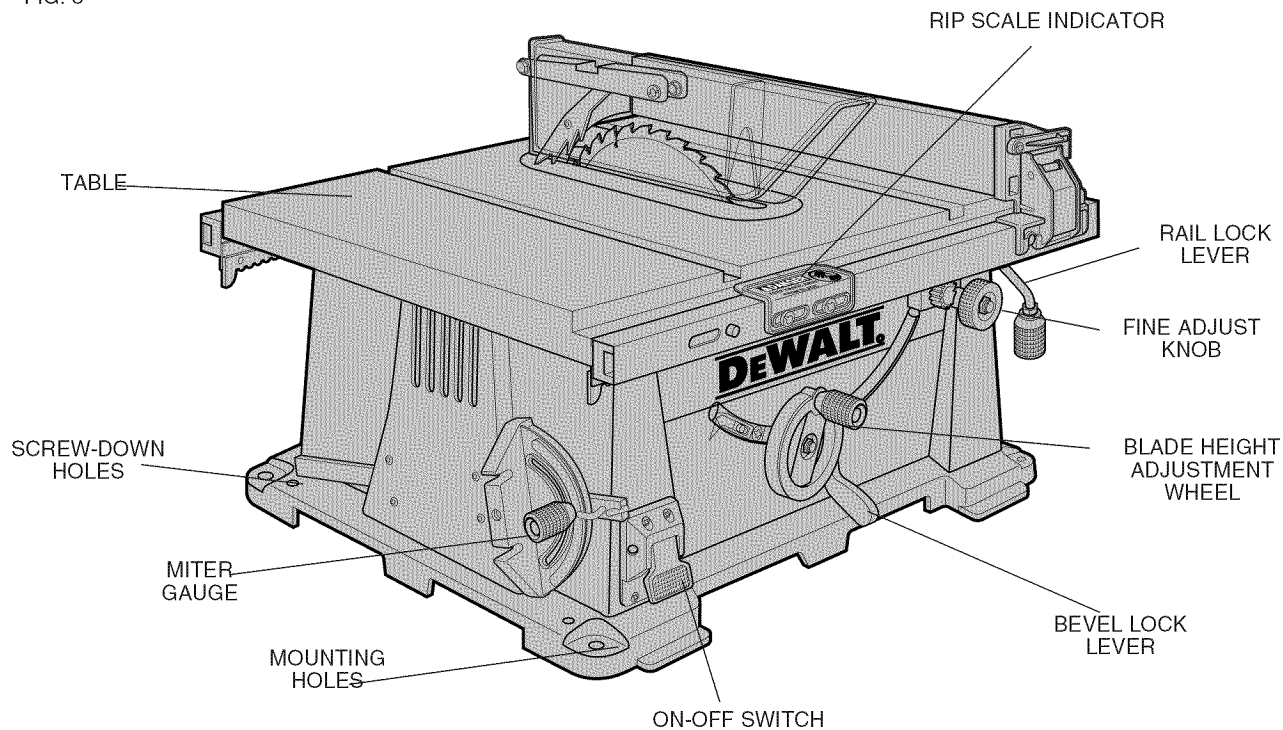
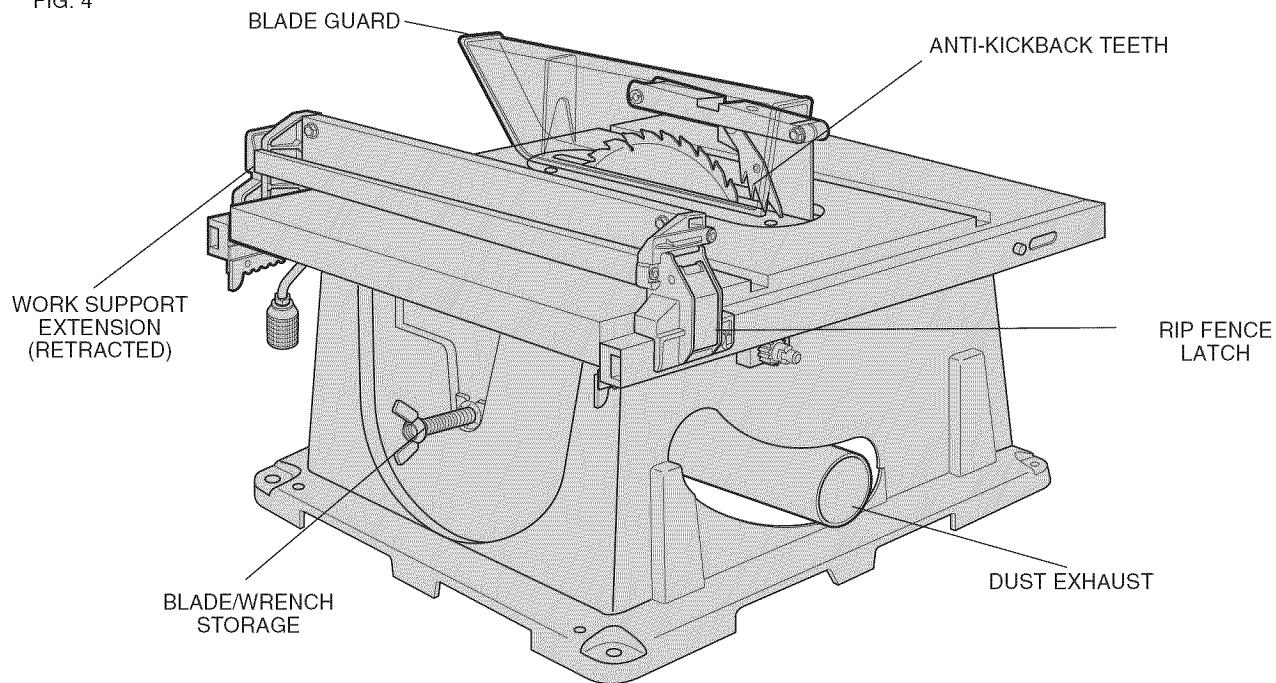


FIG. 4



Specifications

Horsepower	2-1/2
Table Size	19 1/4" x 26 1/2"
Miter Angle	30° L&R
Bevel Angle	0° to 45°L
Blade Size	10" (254mm)
Max. Cut Depth	0° Bevel3 1/8" (79mm)
Max. Cut Depth	45° Bevel2-1/4" (57mm)
RPM, no load	3650

Unpacking

Open the box and slide the saw out, as shown in Figure 1. Carefully unpack the table saw and all loose items from the carton. Examine all parts to make sure that parts have not been damaged during shipping. If any parts are missing or damaged, contact your dealer to replace them before attempting to assemble the tool.

Figure 2 shows all the loose items and hardware packed with the saw.

1. Rip fence
2. Blade (attached to saw base)
3. Arbor wrench and spindle wrench (attached to saw base)
4. Blade guard
5. Throat plate
6. Miter gauge

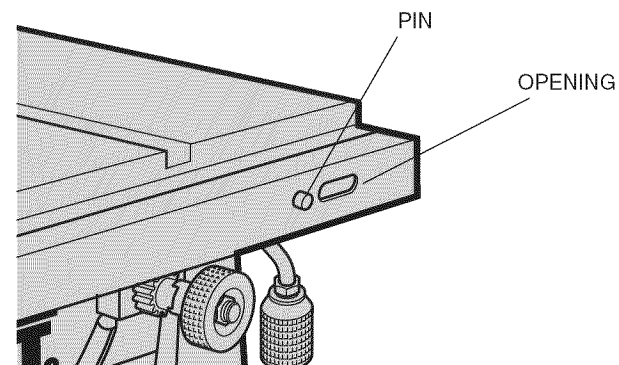
Examine Figures 3 & 4 to become familiar with the saw and its various parts. The following sections on assembly and adjustments will refer to these terms and you must know what and where the parts are.

Assembly

YOUR SAW SHOULD BE ASSEMBLED IN THE FOLLOWING ORDER:

1. Blade
2. Rip fence (**NOTE:** Adjust rip scale before proceeding. See "Adjusting Rip Scale".)
3. Blade guard
4. Throat plate

FIG. 5



Tools needed for assembly include a screwdriver and the wrenches included with your saw.

ASSEMBLING THE RIP FENCE

The rip fence can be installed on the left or right side of your table saw.

1. Locate the pin and opening on fence rails, as shown in Figure 5. Align the pin with the slot and align the latch with the opening.
2. Secure the rip fence by snapping the latches onto the rails as shown in Figure 6. Be sure to snap both latches in place.

ATTACHING/REPLACING THE BLADE

1. Raise the saw blade arbor to its maximum height by turning the blade height adjustment wheel clockwise.
2. Remove the arbor nut and flange from the saw arbor by turning counterclockwise.
3. Place the saw blade on to the spindle making sure the teeth of the blade point down at the front of the table. Assemble the washers and arbor nut to the spindle and tighten arbor nut as far as possible by hand, making sure that the saw blade is against the inner washer and the large washer diameters are against the blade. Ensure the side of outer washer marked "Blade Side" is against the blade (see Figure 7). Ensure the spindle and washers are free from dust and debris.
4. To keep the spindle from rotating when tightening the arbor nut, use the open-ended spindle wrench to secure the spindle (see Figure 8).
5. Using the arbor wrench, tighten the arbor nut by turning it clockwise (see Figure 8).
6. **NOTE:** Different types of blades make different kerfs (width of cuts). Therefore, it is necessary to check adjustment of rip fence pointer and blade guard splitter when changing blades.

ADJUSTING THE RIP SCALE

1. Unlock the rail lock lever (see Figure 9).
2. Set the blade at 0° bevel and move the fence in until it touches the blade.
3. Lock the rail lock lever.
4. Loosen the rip scale pointer screws (see Figure 16) and set the rip scale pointer to read zero (0). Retighten the rip scale pointer screws. The rip scale reads correctly only when the fence is mounted on the right side of the blade.

ATTACHING THE BLADE GUARD

1. Raise the saw blade arbor to its maximum height by turning the blade height adjustment wheel clockwise.
2. Loosen, but do not remove the two bolts shown in Figure 10.
3. Insert the blade guard as shown in Figure 11, ensuring the bolts fit into the slots on the blade guard. The edge of the splitter should protrude below and hook under the shims. Tighten the bolts. Make sure the splitter is cen-

tered and parallel to the blade by lining up the parts with a straight edge. If the blade and splitter are not aligned, loosen, but do not remove the bolts again. Remove the guard and reinsert it after adjusting the shims. These shims allow for precision alignment of the blade and splitter. Tighten the bolts securely. Make sure that there is clearance between the splitter and the blade, and that the blade spins freely. If the splitter is tilted relative to the blade, the splitter plate can be bent until it lines up correctly.

IMPORTANT: THE GUARD SHOULD BE IN PLACE FOR ALL POSSIBLE CUTS.

4. Retighten the bolts securely.

▲ WARNING: Before connecting the table saw to the power source or operating the saw, always inspect the guard and splitter for proper alignment and clearance with saw blade. Check alignment after each change of bevel angle.

When properly aligned, the splitter will be in line with the blade at both table top level, and at the top of the blade. Check using the straight edge. With power disconnected, operate the blade tilt and height adjustments through the extremes of travel and insure the guard clears the blade in all operations and that the anti-kickback teeth are functioning.

ATTACHING THE THROAT PLATE

1. Align the throat plate as shown in Figure 12, and insert the tabs on the back of the throat plate into the holes on the back of the table.
2. Press down on the front of the throat plate to snap it into place.
3. The throat plate includes four adjustment screws which raise or lower the throat plate. When properly adjusted, the front of the throat plate should be flush or slightly below the surface of the table top and secured in place. The rear of the throat plate should be flush or slightly above the table top.
4. Turn the cam lock screw (Detail Fig. 12) clockwise 1/4 turn to lock the throat plate in place.

▲ CAUTION: The throat plate must be in place at all times.

Bench Mounting

TURN OFF AND UNPLUG TABLE SAW

The table saw must be mounted firmly. **The mounting surface must have a 15" by 20" opening to allow dust to escape.**

Four holes are provided in the tool's feet for mounting. We strongly recommend that these holes be used to anchor the table saw to your workbench or other stationary rigid frame. Alternately, to enhance the saw's portability, it can be mounted to a piece of wood that can be "C" clamped to your work surface, stand or Workmate® Workcenter. The DeWALT DW7440 Table Saw Stand is designed for use with this saw, and is available from your local DeWALT dealer or service center.

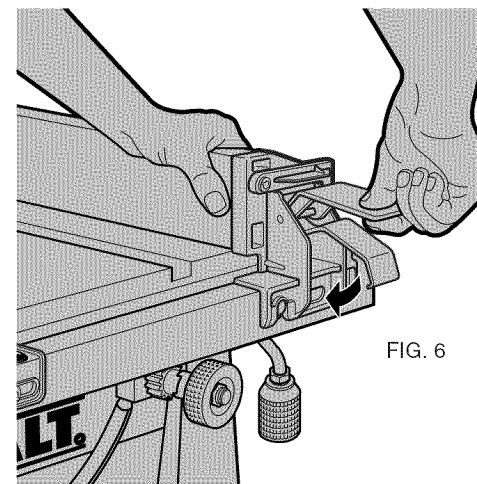


FIG. 6

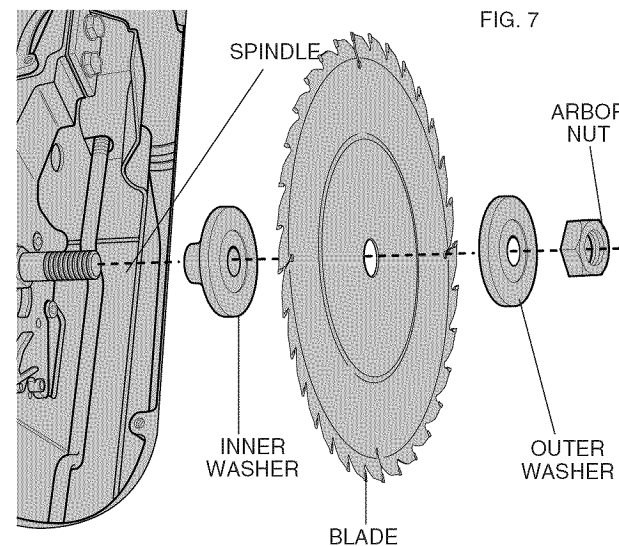
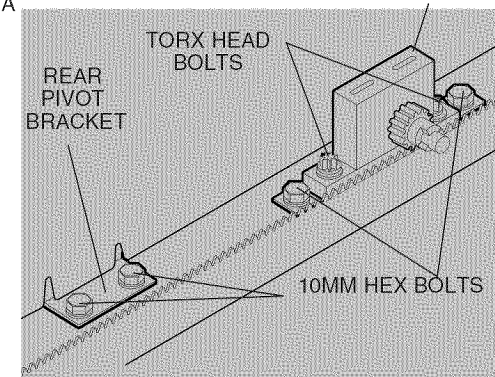


FIG. 7

FIG. 7A REAR PINION BEARING ASSEMBLY



(SAW SHOWN UPSIDE DOWN FOR CLARITY)

FIG. 8

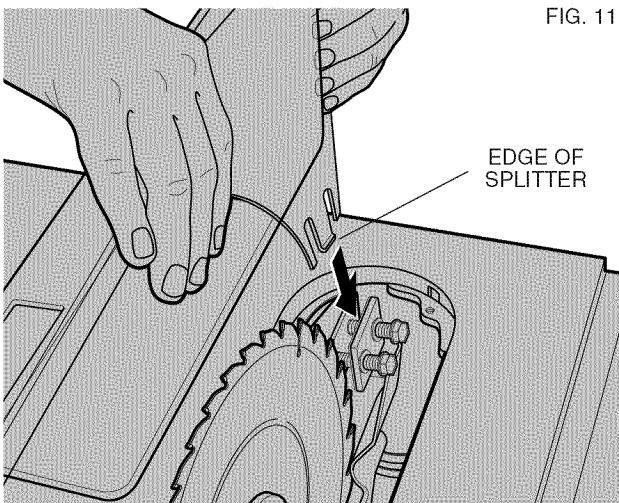
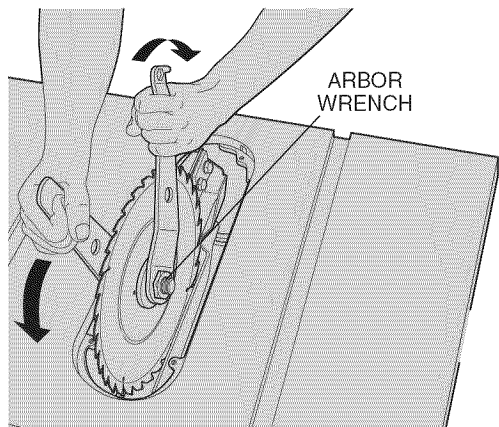


FIG. 11

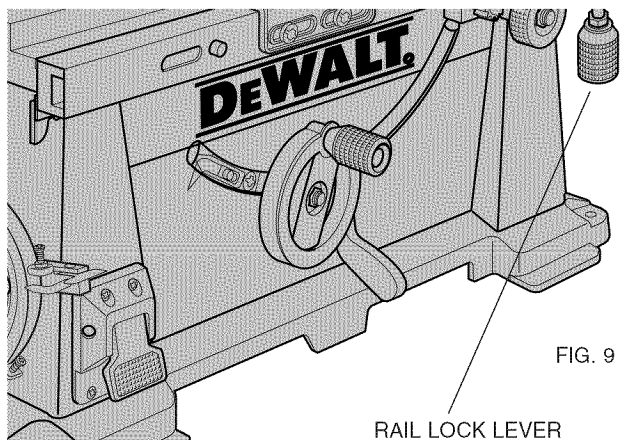


FIG. 9

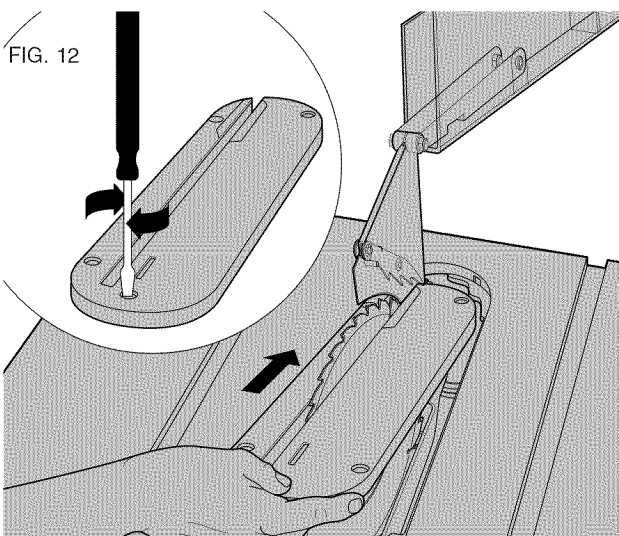


FIG. 13

FIG. 14

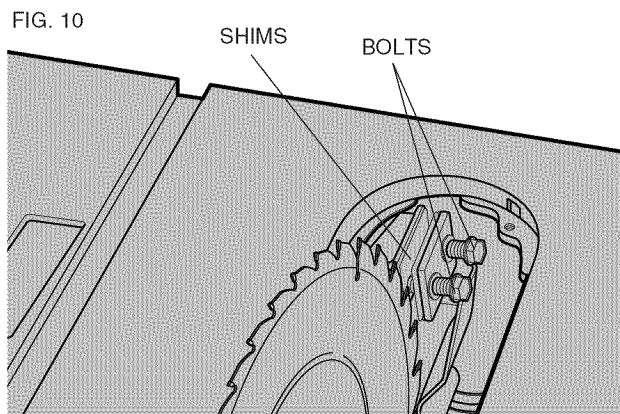
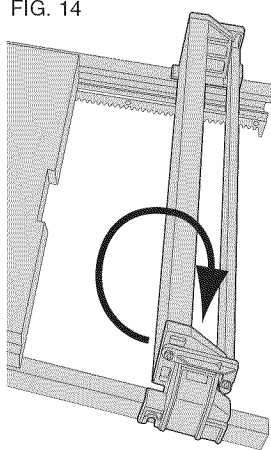
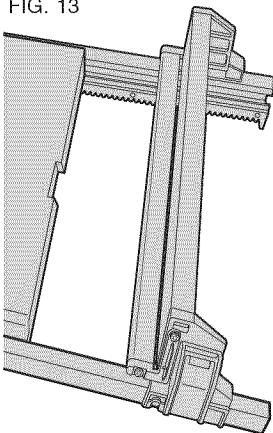


FIG. 10



▲ CAUTION: Failure to securely mount the table saw to the work surface can be hazardous.

1. Center the saw on a square piece of 1/2" (12.7mm) plywood. The plywood must have a 15" by 20" opening to allow dust to escape.
2. Mark the positions of the four mounting holes in the base of the saw with a pencil.
3. Remove the saw and drill 1/4" (6.4mm) holes in the places you have just marked.
4. Position the saw over the four holes you drilled in the plywood and insert four 1/4" (6.4mm) machine screws FROM THE BOTTOM. Install washers and 1/4" (6.4mm) nuts on the top. Tighten securely.
5. In order to prevent the screw heads from marring the surface to which you clamp the saw, attach two strips of scrap wood to the bottom of the plywood base. These strips can be attached with glue, or wood screws can be installed from the top side as long as they don't protrude through the bottom of the strip.
6. "C" clamp the plywood base to your workbench whenever you want to use the saw.

▲ CAUTION: Make sure table saw is firmly mounted before use.

Connecting Saw to Power Source

IMPORTANT: Before connecting saw to power source, make sure the switch is in the OFF position.

Be sure your power supply agrees with the nameplate marking. AC ONLY means that your saw will operate on alternating current only. A voltage decrease of 10 percent or more will cause a loss of power and overheating. All DeWalt tools are factory tested. If this tool does not operate, check the power supply.

Rip Fence Operation

RAIL LOCK LEVER

The rail lock lever locks the rip fence rails in place, preventing their movement. To lock the rail lock lever, push it down. To unlock the lever, pull it up (see Figure 9).

NOTE: When ripping, always lock the rail lock lever.

WORK SUPPORT EXTENSION

Your table saw is equipped with a work support extension to support work that extends beyond the saw table. To use the work support extension, rotate it as shown in Figure 13. When not in use, the work support extension retracts, as shown in Figure 14.

NOTE: Retract the work support extension whenever working over the table.

FINE ADJUST KNOB

The fine adjust knob (shown in Figure 15) allows smaller adjustments when setting the fence. Before adjusting, be sure the rail lock lever is in its up, or unlocked, position.

RIP SCALE POINTER

NOTE: The rip scale pointer will need to be readjusted whenever a thicker or thinner blade is installed.

On-Off Switch

Lift the switch paddle up to turn your saw ON and push it down to turn your saw OFF.

A hole is provided in the switch for insertion of a padlock to lock the saw off (Figure 17).

▲ WARNING: Be sure switch is in the OFF position before plugging machine in.

Adjustments

NOTE: Your saw is fully and accurately adjusted at the factory at the time of manufacture. If readjustment due to shipping and handling or any other reason is required, follow the steps below to adjust your saw.

Once made, these adjustments should remain accurate. Take a little time now to follow these directions carefully to maintain the accuracy of which your saw is capable.

RAIL LOCK ADJUSTMENT

1. Lock the rail lock lever (Figure 9) by pushing down.
2. On the underside of your saw, tighten the nut shown in Figure 18. Adjust this nut until the gap between the Belleville washers closes.
3. Once the springs are almost touching, tighten the nut 1/2 turn.

RIP SCALE ADJUSTMENT

See "ADJUSTING THE RIP SCALE" on page 4.

ADJUST BLADE ALIGNMENT TO TABLE

1. THE SAW MUST BE UNPLUGGED BEFORE YOU MAKE ANY ADJUSTMENT TO THE BLADE.
2. Place the unit in an upright position. Using a 10mm socket, loosen rear pivot bracket fasteners just enough to allow the bracket to move side-to-side. (Figure 7A).
3. Adjust the bracket until the blade is parallel to the miter gauge slot.
4. Tighten the rear pivot bracket fasteners to 7-8 ft.lbs.

BEVEL STOP AND POINTER ADJUSTMENT

1. Raise the blade fully by rotating the blade height adjustment wheel clockwise until it stops.
2. Unlock the bevel lock lever (Figure 3) by pushing it up and to the right. Loosen the bevel stop screw (Figure 19).
3. Place a square flat against the table top and against the blade between teeth, as shown in Figure 20. Ensure the bevel lock lever is in its unlocked, or up, position.
4. Using the bevel lock lever, adjust the bevel angle until it is flat against the square.
5. Tighten the bevel lock lever by pushing it down.
6. Turn the bevel stop cam until it firmly contacts the bearing block. Tighten the bevel stop screw.
7. Check the bevel angle scale. If the pointer does not read 0°, loosen pointer screw (see Figure 19) and move the pointer so it reads correctly. Retighten the pointer screw.
8. Repeat at 45°, but do not adjust pointer.

MITER GAUGE ADJUSTMENT

Your miter gauge features adjustable stops at 90° and 45° left and right. To adjust these stops, loosen the lock nuts and tighten or loosen the three adjusting screws against the stop plate (see Figure 21).

FENCE PARALLEL ADJUSTMENT

1. Unlock rail lock lever.
2. Locate rear pinion bearing and loosen the two hex bolts just enough to allow side-to-side movement.
3. Adjust fence parallel to blade.
4. Lock rail lock lever and check parallel alignment of the blade.
5. Tighten the 2 hex bolts that secure the rear pinion bearing assembly to the table.

NOTE: If there is not enough travel in the pinion bearing assembly to allow the fence to be parallel to the blade, take the unit to an authorized service center.

RACK AND PINION MESH ADJUSTMENT

Proper adjustment of the rack and pinion mesh is done at the factory. If it should become necessary to adjust the rack and pinion mesh, use the following procedure.

1. Turn the saw upside down and locate the front pinion bearing.
2. Using a narrow blade screw driver or #20 torx driver, access the screw through the slot. Loosen the screw (counterclockwise) until the head touches the inside of the bearing box.
3. Tighten the screw (clockwise) 3/4 of a turn.
4. Repeat procedure for rear pinion bearing.

Saw Blades

THIS SAW IS INTENDED FOR THE USE OF SAW BLADES 10" IN DIAMETER OR SMALLER

1. The saw blade furnished with your new saw is a 10" (254mm) combination blade, used for cross cutting (across the grain) and ripping (with the grain) through the material. The center hole to fit on the arbor is 5/8" (16mm) diameter (.625"). This blade will produce a good quality cut for most applications.
2. There are many types of blades available to do specific and special jobs such as cross cut only, rip only, hollow ground, thin plywood, paneling, etc.
3. Use only saw blades designed for maximum safe operating speeds of 5,000 RPM or greater.
4. Saw blades should always be kept sharp. It is recommended that you locate a reputable sharpening service to sharpen your blades when needed.
5. Never stack blades on top of one another to store. Place material such as cardboard between them to keep the blades from coming in contact with one another.

▲ CAUTION: Abrasive wheels should not be used on this saw.

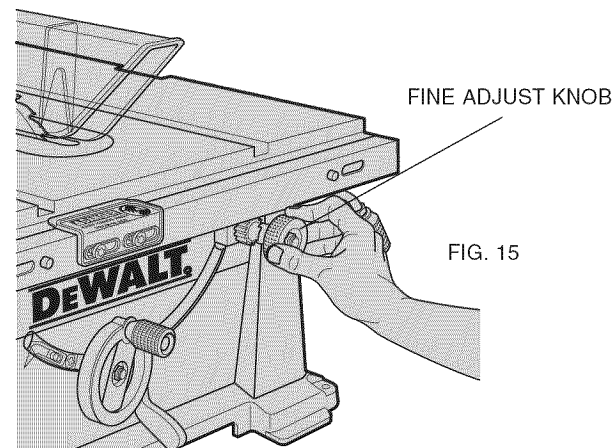


FIG. 15

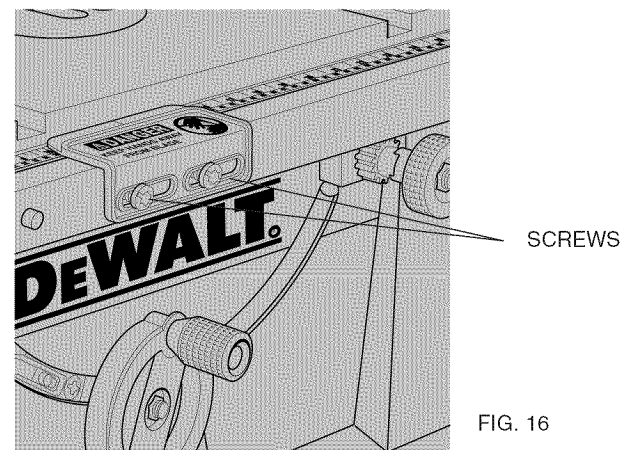


FIG. 16

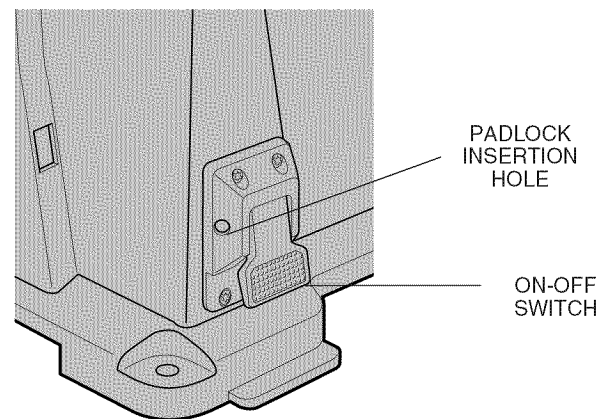


FIG. 17

FIG. 18

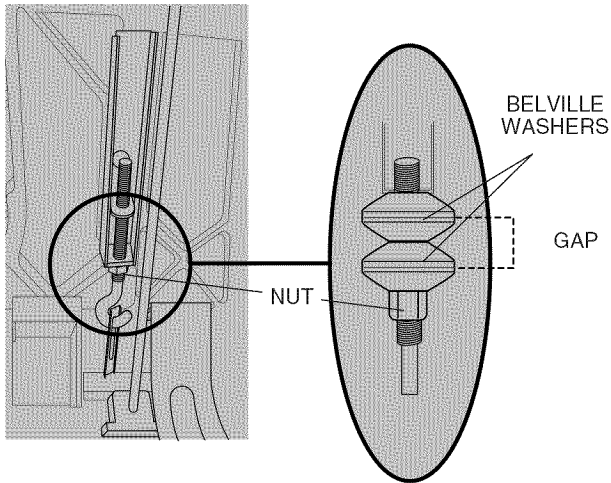


FIG. 19

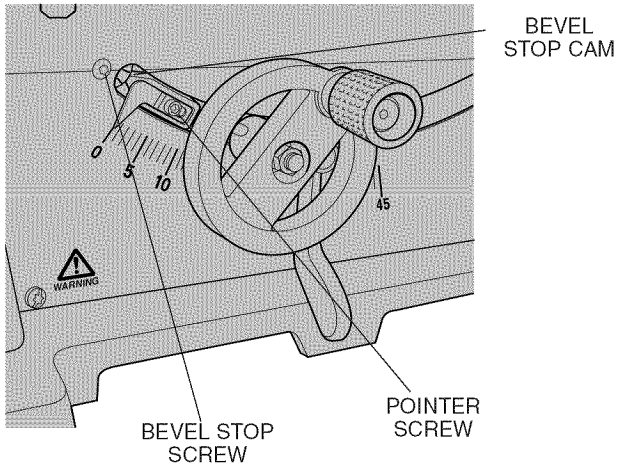


FIG. 20

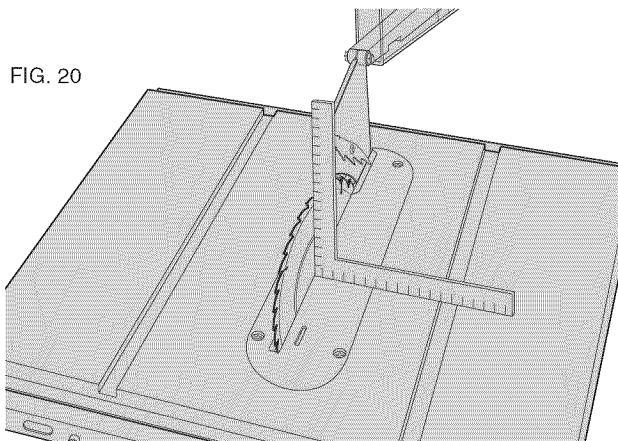


FIG. 21

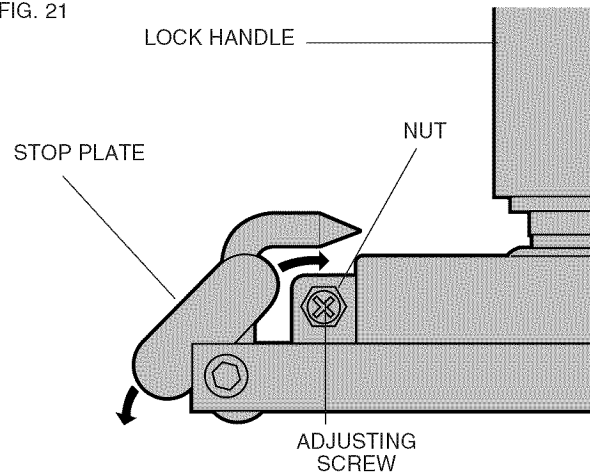


FIG. 22

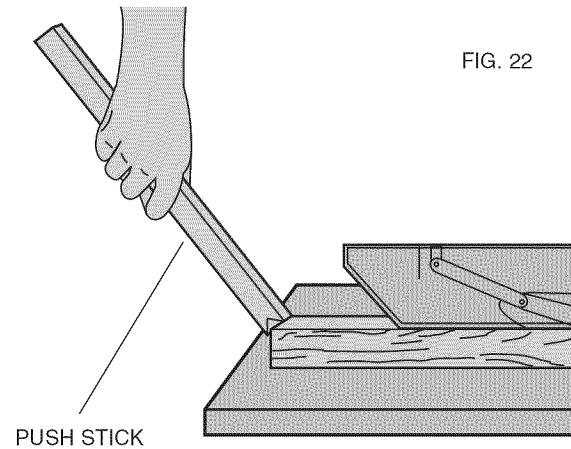
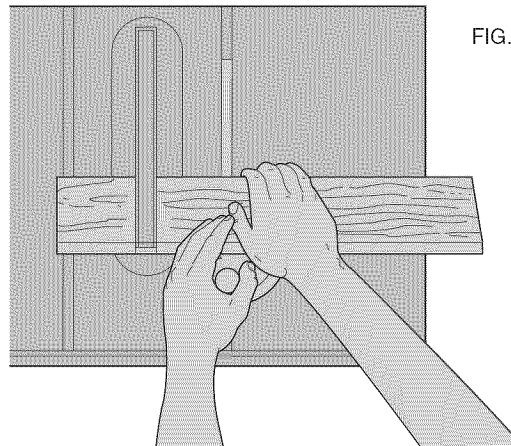


FIG. 23



Kickback

Kickback is a dangerous condition! It is caused by the workpiece binding against the blade. The result is that the workpiece can move rapidly in a direction opposite to the feed direction. During kickback, the workpiece could be thrown back at the operator. It can also drag the operator's hand back into the blade if the operator's hand is at the rear of the blade. If kickback occurs, turn the saw OFF and verify the proper functioning of the splitter, anti-kickback teeth and guards before resuming work.

CAUTION:

1. Always use the guard and make certain it is in good working order. The guard's splitter helps prevent binding and the anti-kickback teeth on each side of the splitter minimize the possibility of kickback. Use extra caution until the workpiece is through the splitter and has engaged anti-kickback teeth.
2. Do not saw warped, bowed or cupped wood. The workpiece must have one straight, smooth side to go against the rip fence or miter gauge. The workpiece must sit flat on the table without rocking.
3. Do not cut "freehand". Always use either the rip fence or the miter gauge. Never use both.
4. Use extra care when the guard assembly cannot be used (during dadoing or molding).
5. Support large workpieces carefully. Allowing them to sag or droop can cause kickback.

Operation

Plain sawing includes ripping and cross cutting, plus a few other standard operations of fundamental nature. The following methods feature safety. As with all power tools respecting the tool, using caution and following safe practices will considerably lessen the possibility of personal injury. However, if normal safety precautions are overlooked or completely ignored, personal injury to the operator can result. Read and follow all warnings indicated on the saw. Through sawing is any operation which renders the material into two separate pieces. Observe the safety rules included in this manual.

THIS SAW IS NOT INTENDED FOR CUTTING METAL.

Operating Instructions

There are two basic types of cuts: ripping and crosscutting. In general, cutting with the grain is ripping and across the grain is crosscutting. However, with man made materials this distinction is somewhat difficult to make. Therefore, cutting a piece of wood to a different width is ripping and cutting across the short dimension is crosscutting. Neither ripping or crosscutting may be done safely freehand! Ripping requires the use of the rip fence and crosscutting uses the miter gauge.

CAUTION: Before using the saw each and every time verify the following:

1. Blade is tight.
2. Bevel angle lock knob is tight.

3. If ripping, ensure rail lock lever is tight and fence is parallel to the blade.
4. If crosscutting, miter gauge lever is tight.
5. Guard is in place and working properly.
6. Safety glasses are being worn.
7. The blade guard is properly attached and the anti-kick-back teeth are functioning.

Failure to adhere to these common safety rules can greatly increase the likelihood of injury.

Ripping

1. Lock the rip fence by pressing the rail lock lever down. Remove the miter gauge.
2. Raise the blade so it is about 1/8" (3.2mm) higher than the top of the workpiece.
3. Hold the workpiece flat on the table and against the fence. Keep the workpiece about 1" (25.4mm) away from the blade.

▲ CAUTION: The workpiece must have a straight edge against the fence and must not be warped, twisted or bowed. Keep both hands away from the blade and away from the path of the blade.

4. Turn the saw on and allow the blade to come up to speed. Both hands can be used in starting the cut. When there is approximately twelve (12) inches (305mm) left to be ripped...use only one hand, with your thumb pushing the material, your index and second finger holding the material down and your other fingers hooked over the fence. Always keep your thumb along side your first two fingers and near the fence.
5. Keeping the workpiece against the table and fence, slowly feed the workpiece rearward all the way through the saw blade. Continue pushing the workpiece until it is clear of the guard and it falls off the rear of the table. Do not overload the motor.
6. Never try to pull the workpiece back with the blade turning. Turn the switch off, allow the blade to stop, raise the anti-kickback teeth on each side of the splitter if necessary and slide the workpiece out.
7. When sawing a long piece of material or a panel, always use a work support. A sawhorse, rollers, or out feed assembly provides adequate support for this purpose. **The work support must be at the same height as the saw table.**

▲ CAUTION: Never push or hold onto the "free" or "cut off" side of the workpiece.

Bevel Ripping

This operation is the same as ripping except the bevel angle is set to an angle other than zero degrees.

▲ WARNING: Before connecting the table saw to the power source or operating the saw, always inspect the guard and splitter for proper alignment and clearance with saw blade. Check alignment after each change of bevel angle.

Ripping Small Pieces

It is unsafe to rip small pieces. It is not safe to put your hands close to the blade. Instead, rip a larger piece to obtain the desired piece. When a small width is to be ripped and the hand cannot be safely put between the blade and the rip fence, use one or more push sticks. A pattern is included on page 9 to make push sticks. Use them to hold the workpiece against the table and fence, and push the workpiece fully past the blade. See Figure 22.

Crosscutting

1. Remove the rip fence and place the miter gauge in the desired slot.
2. Adjust the blade height so that the blade is about 1/8" (3.2mm) higher than the top of the workpiece.
3. Hold the workpiece firmly against the miter gauge with the path of the blade in line with the desired cut location. Keep the workpiece an inch or so in front of the blade. **KEEP BOTH HANDS AWAY FROM THE BLADE AND THE PATH OF THE BLADE.**
4. Start the saw motor and allow the blade to come up to speed.
5. While using both hands to keep the workpiece against the face of the miter gauge, and holding the workpiece flat against the table, slowly push the workpiece through the blade. See Figure 23.
6. Never try to pull the workpiece with the blade turning. Turn the switch off, allow the blade to stop, and carefully slide the workpiece out.

▲ CAUTION: Never touch or hold onto the "free" or "cut off" end of the workpiece.

Bevel Crosscutting

This operation is the same as crosscutting except that the bevel angle is set to an angle other than 0°.

▲ WARNING: Before connecting the table saw to the power source or operating the saw, always inspect the guard and splitter for proper alignment and clearance with saw blade. Check alignment after each change of bevel angle.

Mitering

This operation is the same as crosscutting except the miter gauge is locked at an angle other than 0°. Hold the workpiece **FIRMLY** against the miter gauge and feed the workpiece slowly into the blade (to prevent the workpiece from moving). See Figure 23.

MITER GAUGE OPERATION

To set your miter gauge, loosen the lock handle and move the miter gauge to the desired angle. The miter gauge has set stops and 90° and 45° left and right. To rotate the miter gauge beyond these stops, flip the stop plate up, as shown in Figure 21.

Compound Mitering

This is a combination of bevel crosscutting and mitering. Follow the instruction for both bevel crosscutting and mitering.

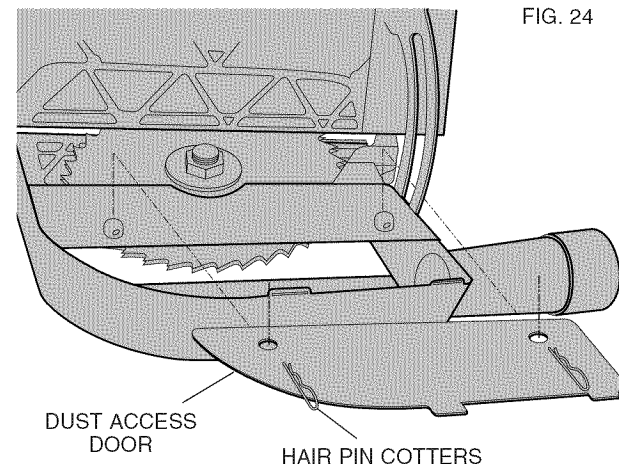


FIG. 24

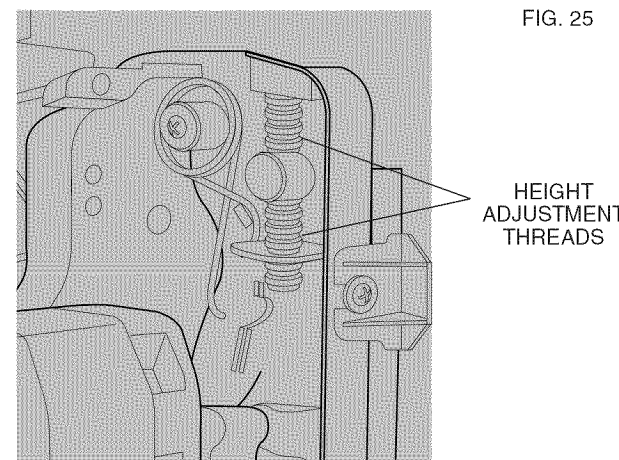


FIG. 25

Dado Cutting

▲ CAUTION: Do not attempt to stack dado blades thicker than 13/16" (20mm). Do not use dado blades larger than 8" (200mm) diameter. When installing the dado stack, do not include the inner clamp washer. Replace it with the outer clamp washer, then install the blade stack, arbor nut, and tighten with the wrench supplied.

Since dado cuts are not through cuts, the cuts must be performed with the blade guard removed. To remove the blade guard, loosen the two bolts shown in Figure 10 and remove the guard assembly.

When using the dado, the special dado insert (also sold as an accessory) must be used.

Anytime a cut is required that is considerably wider than the saw kerf, a dado is used. A dado cut is commonly used to add support and line up a shelf for a cabinet, bookcase or some such project. When using the dado, the guard must be removed. Use **EXTREME** care when using the dado without the guard. If a deep cut is required. Use several successive

passes rather than attempting to make it with one pass. Maximum dado width on this saw is 13/16" (20mm). DO NOT USE WIDER COMBINATIONS.

▲ CAUTION: Always check dado blade clearance before plugging in the saw.

Be sure to place the guard and standard throat plate back in position and check adjustments when the dado cuts are complete.

Dust Collection

Your table saw is equipped with a dust shroud and dust collection port. For best results, connect a vacuum to the port at the rear of the saw.

If the saw is operated without a vacuum attached, most of the dust will be blown out the dust collection port. However, some dust will fall inside the base. If the saw is used on a table or other surface without an opening on the bottom, clean out the base and accumulated saw dust after each cut.

After extended use, the saw's dust collection system may become clogged. To clear the dust collection system:

- a) Unplug the saw.
- b) Turn the saw on its side, so the bottom, open part of the unit is accessible.
- c) Open the dust access door shown in Figure 24 by removing the two hair pin cotters shown. Clean out the excess dust, and re-secure the access door with the hair pin cotters.

When cutting wet wood without a vacuum or when cutting with a dado blade, removing the dust access door may be helpful in preventing clogs.

Lubrication

1. All motor bearings are permanently lubricated at the factory and no additional lubrication is needed.
2. The height adjustment screw may require periodic cleaning and lubrication. If you have difficulty raising or lowering the blade:
 - a) Unplug the saw.
 - b) Turn the saw on its side, so the bottom, open part of the unit is accessible.
 - c) Clean and lubricate the height adjustment screws threads on the underside of your saw with general purpose grease, shown in Figure 25.

Accessories

Recommended accessories for use with your tool are available at extra cost from your distributor or local service center. DeWALT manufactures the following accessories for your saw:

- Portable Saw Stand
- Outfeed Side Support
- Replacement Throat Plate
- Dado Throat Plate

▲ CAUTION: The use of any non-recommended accessory may be hazardous.

If you need assistance in locating any accessory, please contact DeWALT Industrial Tool Co., 701 East Joppa Road, Baltimore, MD 21286 or call 1-800-4-DeWALT (1-800-433-9258).

Cleaning

Use only mild soap and damp cloth to clean the tool. Never let any liquid get inside the tool; never immerse any part of the tool into a liquid. **Never use solvents to clean saw or guard components.**

Important

To assure product SAFETY and RELIABILITY, repairs, maintenance and adjustment (including brush inspection and replacement) should be performed by authorized service centers or other qualified service organizations, always using identical replacement parts.

Three Year Limited Warranty

DeWALT will repair, without charge, any defects due to faulty materials or workmanship for three years from the date of purchase. This warranty does not cover part failure due to normal wear or tool abuse. For further detail of warranty coverage and warranty repair information, visit www.dewalt.com or call 1-800-4-DeWALT (1-800-433-9258). This warranty does not apply to accessories or damage caused where repairs have been made or attempted by others. This warranty gives you specific legal rights and you may have other rights which vary in certain states or provinces.

In addition to the warranty, DeWALT tools are covered by our:

1 YEAR FREE SERVICE

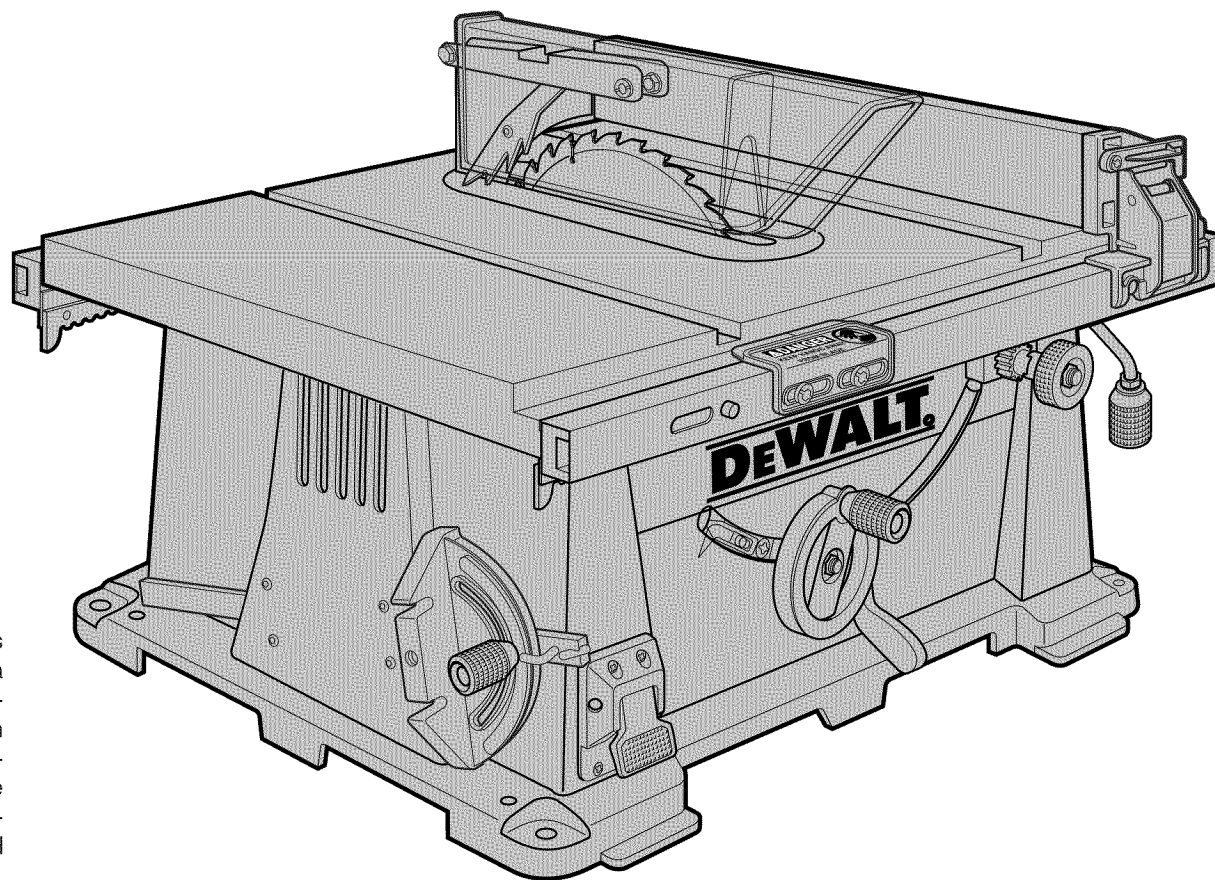
DeWALT will maintain the tool and replace worn parts caused by normal use, for free, any time during the first year after purchase.

90 DAY MONEY BACK GUARANTEE

If you are not completely satisfied with the performance of your DeWALT Power Tool, Laser, or Nailer for any reason, you can return it within 90 days from the date of purchase with a receipt for a full refund – no questions asked.

FREE WARNING LABEL REPLACEMENT: If your warning labels become illegible or are missing, call 1-800-4-DeWALT for a free replacement.

▲ AVERTISSEMENT : PAR MESURE DE SÉCURITÉ PERSONNELLE, LIRE LE GUIDE D'UTILISATION AVANT D'UTILISER LA SCIE. TOUJOURS PORTER DES LUNETTES DE SÉCURITÉ. NE PAS PORTER DE GANTS, DE CRAVATE, DE BIJOUX NI DE VÊTEMENTS AMPLES. PROTÉGER LA CHEVELURE LORSQU'ELLE EST LONGUE. ÉLOIGNER LES DOIGTS ET LES MAINS DE LA TRAJECTOIRE DE LA LAME; PRENDRE PARTICULIÈREMENT SOIN LORS DES COUPES EN BISEAU. TOUJOURS UTILISER LE PROTECTEUR ET LE RÉPARTITEUR POUR TOUTES LES COUPES, Y COMPRIS LES COUPES COMPLETES. UTILISER UN BATON POUR POUSSER LE MATÉRIAU LE CAS ÉCHÉANT. SAVOIR COMMENT ÉVITER LES REBONDS; CONSULTER LE GUIDE. TOUJOURS SOUTENIR LA PIÈCE À DÉCOUPER À L'AIDE DE LA TABLE ET DU GUIDE, OU DE L'INDICATEUR D'ONGLETS. NE JAMAIS UTILISER SIMULTANÉMENT LE GUIDE ET L'INDICATEUR D'ONGLETS. NE JAMAIS S'ÉTIRER AU-DESSUS NI AUTOUR DE LA LAME. BIEN FIXER LA LAME AVANT D'UTILISER L'OUTIL. NE JAMAIS RETIRER DES PIÈCES COINCÉES NI COUPÉES AVANT D'AVOIR MIS L'OUTIL HORS TENSION ET DE S'ÊTRE ASSURÉ DE L'IMMOBILISATION DE LA LAME. PROTÉGER DE LA PLUIE ET NE PAS UTILISER DANS DES ENDROITS HUMIDES. BIEN FIXER L'OUTIL AFIN D'EN ÉVITER DES MOUVEMENTS IMPRÉVUS. NE PAS SE SERVIR DE L'OUTIL APRES AVOIR CONSOMMÉ DE L'ALCOOL OU DES DROGUES. LE NON-RESPECT DU PRÉSENT AVERTISSEMENT COMPORTE DES RISQUES DE BLESSURES GRAVES.



DEWALT... CONÇU POUR LE CHANTIER

Les outils industriels à rendement élevé DeWALT répondent aux pires exigences de l'industrie et de la construction en Amérique du Nord. La conception de chacun des outils de la gamme (des perceuses aux ponçuses, en passant par les rectifieuses) résulte de leur utilisation rigoureuse sur le chantier et dans l'industrie. Chaque outil est construit avec une précision laborieuse à l'aide de systèmes de fabrication de pointe et un intense contrôle de la qualité. Chacun d'eux est soigneusement vérifié avant de quitter l'usine afin de s'assurer que l'outil répond aux normes de durabilité, de fiabilité et de puissance des utilisateurs.

DEWALT Conçu pour le chantier ... NOUS LE GARANTISSONS.

Importantes mesures de sécurité pour tous les outils

▲ **AVERTISSEMENT** : Afin de réduire les risques d'incendie, de secousses électriques ou de blessures lorsqu'on utilise des outils électriques, il faut toujours respecter les mesures de sécurité suivantes.

LIRE TOUTES LES DIRECTIVES

Pour tous les outils

- S'assurer que les protecteurs sont en place et en bon état.
- **ENLEVER LES CLÉS DE RÉGLAGE.** Prendre l'habitude de vérifier si les clés de réglage ont été retirées avant de faire démarrer l'outil.
- **BIEN DÉGAGER LA SURFACE DE TRAVAIL.** Des surfaces et des établis encombrés peuvent être la cause de blessures.
- **TENIR COMPTE DU MILIEU DE TRAVAIL.** Protéger les outils électriques de la pluie. Ne pas s'en servir dans des endroits humides ou mouillés. Bien éclairer la surface de travail.
- **ÉLOIGNER LES ENFANTS.** Tous les visiteurs doivent être tenus à l'écart de l'aire de travail.
- **RENDRE L'ATELIER SÉCURITAIRE POUR LES ENFANTS** à l'aide de cadenas, de disjoncteurs, ou en retirant les clés de mise en tension.
- **NE JAMAIS FORCER L'OUTIL.** Afin d'obtenir un rendement sûr et efficace, utiliser l'outil à son rendement nominal.
- **UTILISER L'OUTIL APPROPRIÉ.** Ne jamais exiger d'un petit outil ou d'un accessoire le rendement d'un outil de fabrication plus robuste.
- **PORTER DES VÊTEMENTS APPROPRIÉS.** Éviter de porter des vêtements amples, des gants, des colliers, des bagues, des bracelets ou d'autres bijoux qui peuvent être happés par les pièces en mouvement. Le port des chaussures à semelle antidérapante est recommandé. Protéger la chevelure si elle est longue. Se tenir éloigné des événements puisque ces derniers pourraient camoufler des pièces mobiles.
- **PORTER DES LUNETTES DE SÉCURITÉ.** Porter également un masque respiratoire si le travail de coupe produit de la poussière. Des lunettes de correction de la vue standard comportent seulement des verres résistant aux chocs; ce NE sont PAS des lunettes de sécurité.
- **NE PAS DÉPASSER SA PORTÉE.** Toujours demeurer dans une position stable et garder son équilibre.
- **PRENDRE SOIN DES OUTILS.** Conserver les outils propres et affûtés pour qu'ils donnent un rendement supérieur et sûr. Suivre les directives concernant la lubrification et le remplacement des accessoires.
- **DÉBRANCHER L'OUTIL** avant de le réparer ou d'en changer un accessoire (comme une lame, un foret ou un couteau).
- minimiser les risques de démarrages accidentels. S'assurer que l'interrupteur est en position hors tension avant de brancher l'outil.
- utiliser les accessoires recommandés. L'utilisation d'accessoires inappropriés présente des risques de blessures.
- **NE JAMAIS SE TENIR SUR L'OUTIL.** Cela présente des risques de blessures graves si l'outil bascule ou si on touche à la lame par inadvertance.
- **VÉRIFIER LES PIÈCES ENDOMMAGÉES.** Avant de continuer à utiliser l'outil, il faut vérifier si le protecteur ou toute autre pièce endommagée remplit bien la fonction pour laquelle il a été prévu. Vérifier l'alignement et les attaches des pièces mobiles, le degré d'usure des pièces et leur montage, ainsi que tout autre facteur susceptible de nuire au bon fonctionnement de l'outil. Ne jamais se servir d'un outil dont l'interrupteur est défectueux.
- **NE JAMAIS LAISSER UN OUTIL EN MARCHÉ SANS SURVEILLANCE. LE METTRE HORS TENSION.** Ne pas laisser l'outil avant l'immobilisation complète de la lame.
- **NE PAS UTILISER LES OUTILS PORTATIFS ÉLECTRIQUES DANS DES ENDROITS OÙ L'ATMOSPHÈRE CONTIENT DES VAPEURS COMBUSTIBLES OU EXPLOSIVES.** Les étincelles que produit le moteur en marche pourraient enflammer ces produits.

- **DEMEURER VIGILANT.** Travailler avec vigilance et faire preuve de bon sens. Ne pas se servir de l'outil lorsqu'on est fatigué.
- **CORDONS DE RALLONGE PRÉVUS POUR L'EXTÉRIEUR.** Lorsque l'outil est utilisé à l'extérieur, ne se servir que d'un cordon de rallonge conçu pour l'extérieur et portant la mention appropriée.
- **CORDONS DE RALLONGE.** S'assurer que le cordon de rallonge est en bon état. Lorsqu'on se sert d'un cordon de rallonge, s'assurer qu'il est de calibre approprié pour la tension nécessaire au fonctionnement de l'outil. L'utilisation d'un cordon de calibre inférieur occasionne une baisse de tension entraînant une perte de puissance et la surchauffe. Le tableau suivant indique le calibre approprié selon la longueur du cordon et les mentions de la plaque signalétique de l'outil. En cas de doute, utiliser un cordon de calibre supérieur. Le chiffre indiquant le calibre est inversement proportionnel au calibre du cordon.

Calibre minimal des cordons de rallonge					
Tension	Longueur totale du cordon en pieds				
120 V	De 0 à 25	De 26 à 50	De 51 à 100	De 101 à 150	
240 V	De 0 à 50	De 51 à 100	De 101 à 200	De 201 à 300	
Intensité (A)	Calibre moyen de fil				
AuAu moins	plus				
0 -	6	18	16	16	14
6 -	10	18	16	14	12
10 -	12	16	16	14	12
12 -	16	14	12	Non recommandé	

▲ **AVERTISSEMENT** : EN CAS DE PANNE DE COURANT, si l'interrupteur reste en position de marche, l'outil se remet immédiatement en marche lorsque le courant est rétabli.

Mesures de sécurité propres aux scies circulaires à table

▲ **AVERTISSEMENT** : Par mesure de sécurité, ne pas utiliser la scie avant le montage final conforme aux instructions ni avant d'avoir lu et compris les points suivants.

- Toutes les mesures de sécurité
- Les directives relatives au réglage
- Les directives relatives au montage
- Le fonctionnement de base
- Les commandes
- **S'ASSURER QUE LES PROTECTEURS** sont en place et en bon état.
- **STABILITÉ.** S'assurer que la scie à table est bien installée avant de s'en servir.
- **MINIMISER LES RISQUES D'ACCIDENTS.** La plupart des accidents ont lieu en raison du non-respect des directives relatives au montage et au fonctionnement.
- **ÉVITER** les positions bizarres des mains car un soudain manque d'équilibre pourrait projeter la main dans la trajectoire de la scie ou d'un autre outil de coupe. Ne jamais placer les mains derrière ou près d'un outil de coupe pour retenir la pièce à ouvrir. **NE PAS PLACER LES DOIGTS NI LES MAINS DANS LA TRAJECTOIRE DE LA LAME.**
- **NE JAMAIS** placer les mains sous l'outil en service ni régler l'outil qui fonctionne.
- **METTRE LA SCIE HORS TENSION** et la débrancher lorsqu'on enlève la pièce rapportée, qu'on remplace l'outil de coupe, qu'on retire ou remplace le protecteur ou qu'on règle l'outil.
- **TOUJOURS** maîtriser la pièce à ouvrir. **NE PAS** la laisser aller avant qu'elle soit loin de l'outil de coupe.
- **LORSQU'ON RETIRE** de petites pièces à ouvrir ou qu'on nettoie la table, s'assurer que la scie est en position d'ARRÊT et que la lame est immobilisée.
- ne jamais mettre la scie EN MARCHÉ avant d'avoir libéré la table de tous les outils, bouts de bois inutiles, etc., à l'exception de la pièce à ouvrir et des dispositifs connexes d'alimentation ou de soutien nécessaires à la tâche.
- Débrancher la scie avant de la déplacer.

- Faire particulièrement attention lorsqu'on retire le protecteur pour effectuer des coupes de refente, des embrèvements, des feuillures ou des moulures. Remettre le protecteur en place dès la fin des travaux.
- Ne jamais retenir ni toucher l'extrémité inutile de la pièce à ouvrir ni une pièce non retenue lorsque la scie est SOUS TENSION ou lorsque la lame tourne.
- Si la lame se coince ou cale dans la pièce à ouvrir, mettre la scie HORS TENSION, retirer la pièce de la lame et vérifier si la lame est parallèle aux fentes ou aux rainures de la table, et si le couteau diviseur est bien aligné sur les lames de scie. Si on procédait à une coupe de refente, vérifier si le guide est parallèle à la lame. Régler au besoin.

▲ **AVERTISSEMENT** : Ne pas laisser l'habitude (acquise avec l'utilisation fréquente de la scie) remplacer les mesures de sécurité suivantes. Toujours se rappeler qu'une fraction de seconde d'inattention suffit à infliger de graves blessures.

- S'ASSURER que les doigts ne sont pas en contact avec les bornes du cordon d'alimentation lorsqu'on branche la fiche dans la prise ou qu'on l'en débranche.
- Rebonds - Les rebonds peuvent causer de graves blessures. Il y a rebond lorsqu'une partie de la pièce à ouvrir se coince entre la lame et le guide de refente ou tout autre objet fixe, et qu'elle sort de la table et est projetée vers l'utilisateur. On peut éviter les risques de rebond en se conformant aux directives suivantes.

REBONDS - COMMENT LES ÉVITER ET SE PROTÉGER DES RISQUES DE BLESSURES QU'ILS PRÉSENTENT.

- S'assurer que la lame est parallèle au guide de refente.
- Ne pas couper en refente en exerçant la pression d'alimentation à la section de la pièce qui est inutile. Il faut toujours exercer la poussée d'alimentation entre la lame et le guide pendant les coupes de refente, en utilisant un bâtonnet pour les petits travaux (largeur d'au plus 152 mm (6 po)). Lorsque la largeur est inférieure à 51 mm (2 po), il faut se servir d'un dispositif spécial.
- Laisser le protecteur, le couteau diviseur et les cliquets d'arrêt en place et en bon état de fonctionnement et aux centres de service autorisés. Le couteau diviseur doit être aligné sur la lame et les cliquets doivent arrêter un rebond dès qu'il commence. Vérifier leur fonctionnement avant d'effectuer des coupes en refente.
- La scie peut découper des plastiques et des agglomérés (comme des panneaux rigides). Toutefois, comme ces matériaux sont très rigides et glissants, il arrive que les cliquets n'arrêtent pas les rebonds. Il faut donc accorder une attention particulière au montage et aux directives de coupe en refente.
- Utiliser le protecteur et le répartiteur à chaque coupe lorsque c'est possible, y compris les coupes complètes du matériau.

- Ne pas laisser une planche longue (ou toute autre pièce à ouvrir) sans soutien car la planche risque de rebondir et de se déplacer sur la surface de travail. Bien soutenir la pièce à ouvrir, selon ses dimensions et le type de travail effectué. Maintenir la pièce fermement contre le guide et la surface de travail.
- **NE JAMAIS** Ne pas utiliser une butée sur la partie inutile de la pièce à ouvrir lors de coupes transversales. Ne jamais s'agripper ni toucher la partie inutile de la pièce à ouvrir lors de coupes transversales, ni à la partie inutile d'une pièce coupée en refente lorsque l'outil est SOUS TENSION ou que la lame tourne. Autrement dit, il ne faut jamais retenir la partie inutile d'une pièce découpée; elle doit pouvoir se déplacer latéralement.
- Si la scie émet des bruits anormaux ou si elle vibre trop, l'arrêter sans tarder, chercher la source du problème et corriger la situation.
- **TOUJOURS** porter des lunettes de sécurité. Porter également un masque respiratoire si le travail de coupe produit de la poussière. Des lunettes de correction de la vue standard comportent seulement des verres résistants aux chocs; ce NE sont PAS des lunettes de sécurité.
- **NE PAS SE TENIR** dans la trajectoire de la lame. Se tenir sur le côté de la lame dans la mesure du possible.
- **UTILISER** un bâtonnet pour pousser le cas échéant (voir à la page 29).
- Porter une attention particulière aux mesures relatives à la réduction des risques de rebonds.
- Ne pas effectuer de tâches à main levée.
- Ne jamais s'étirer autour ni au-dessus de la lame.
- Utiliser les accessoires recommandés. L'utilisation d'accessoires inappropriés présente des risques de blessures.

▲ **AVERTISSEMENT** : Certains outils, tels que les sableuses électriques, les scies, les meules, les perceuses ou certains autres outils de construction, peuvent soulever de la poussière contenant des produits chimiques susceptibles d'entraîner le cancer, des malformations congénitales ou pouvant être nocifs pour le système reproductif. Parmi ces produits chimiques, on retrouve :

- le plomb dans les peintures à base de plomb;
- la silice cristalline dans les briques et le ciment et autres produits de maçonnerie;
- l'arsenic et le chrome dans le bois de sciage ayant subi un traitement chimique (CCA).

Le risque associé à de telles expositions peut varier selon la fréquence avec laquelle on effectue ces travaux. Pour réduire l'exposition à de tels produits, il faut travailler dans un endroit bien ventilé et utiliser l'équipement de sécurité approprié tel un masque anti-poussières spécialement conçu pour filtrer les particules microscopiques.

- **Éviter tout contact prolongé avec la poussière soulevée par cet outil ou autres outils électriques. Porter des vêtements de protection et nettoyer les**

parties exposées du corps avec de l'eau savonneuse. S'assurer de bien se protéger afin d'éviter d'absorber par la bouche, les yeux ou la peau des produits chimiques nocifs.

▲ **AVERTISSEMENT** : Cet outil peut produire et répandre de la poussière susceptible de causer des dommages sérieux et permanents au système respiratoire. Toujours utiliser un appareil respiratoire anti-poussières approuvé par le NIOSH ou l'OSHA. Diriger les particules dans le sens opposé du visage et du corps.

▲ **MISE EN GARDE** : Porter un dispositif de protection personnel anti-bruit approprié durant l'utilisation. Sous certaines conditions et pendant toute la durée de l'utilisation, le bruit émanant de ce produit pourrait contribuer à la perte d'audition.

CONSERVER LES PRÉSENTES DIRECTIVES À TITRE DE RÉFÉRENCE

FIG. 1

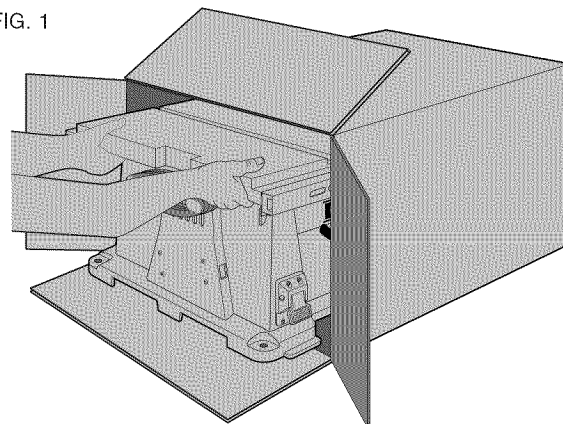
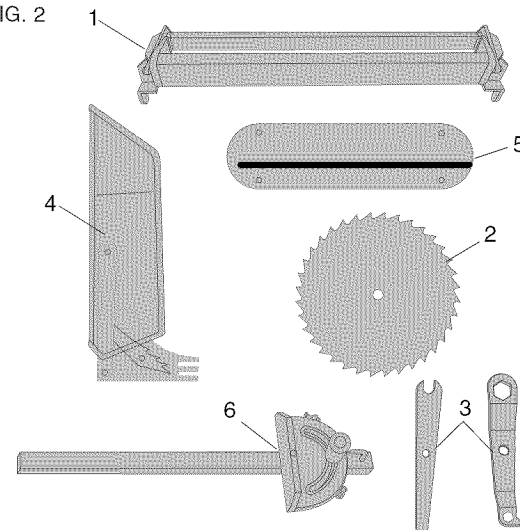
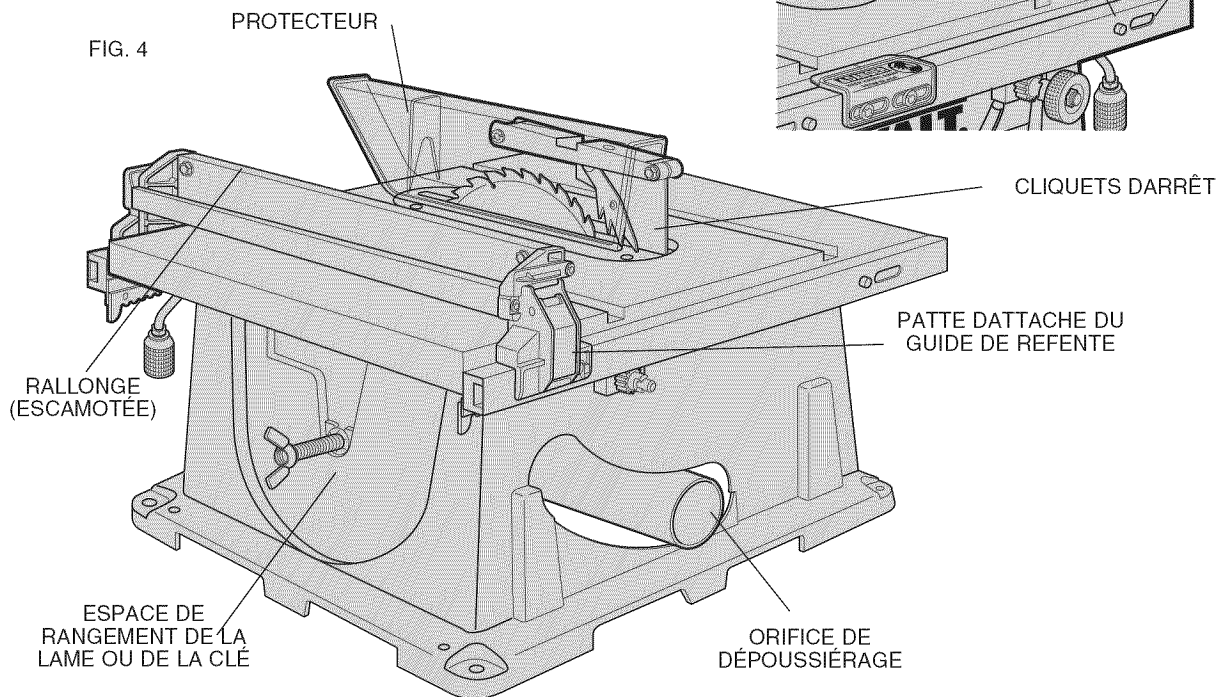
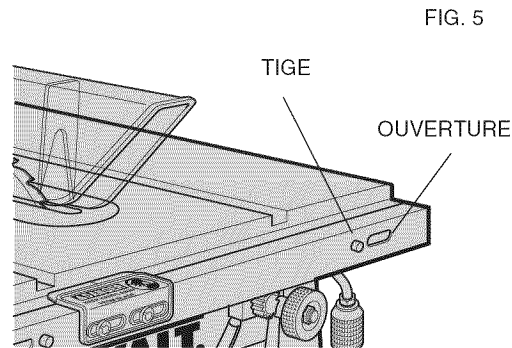
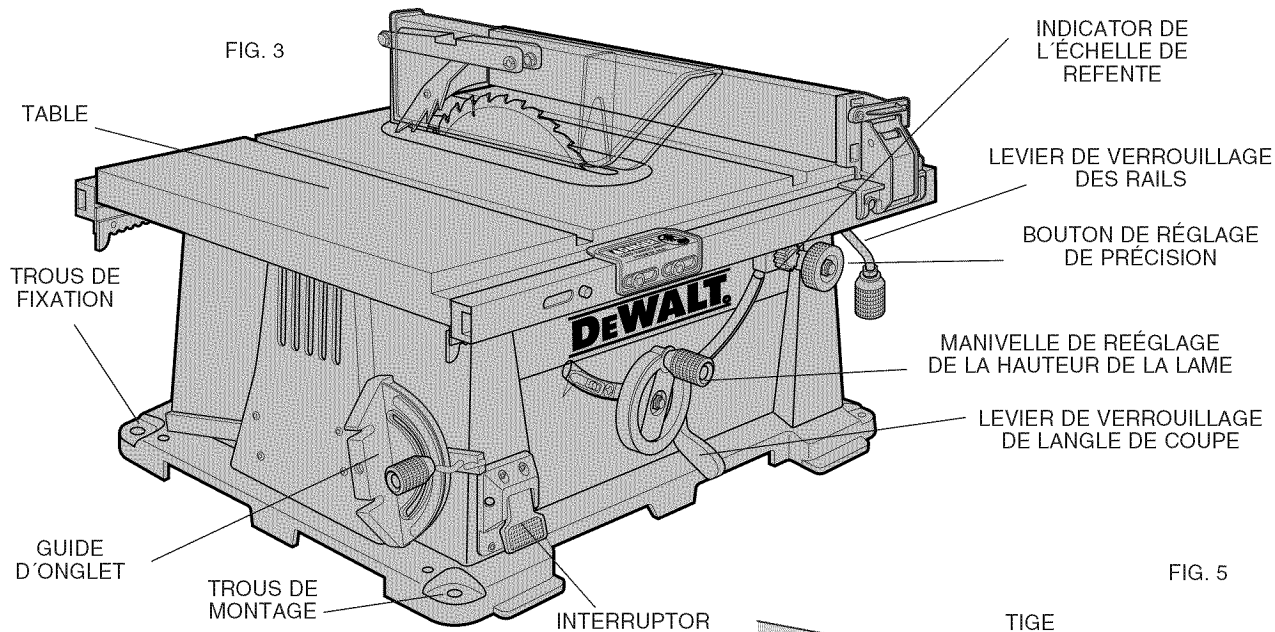


FIG. 2





Fiche technique

Puissance (HP)	2 1/2
Dimensions de la table	19 1/4 po sur 26 1/2 po
Angle des onglets	30° à gauche et à droite
Angle des biseaux	De 0° à 45° à gauche
Dimension de la lame	254 mm (10 po)
Prof. de coupe max.	0° en biseau 79 mm (3 1/8 po)
Prof. de coupe max.	45° en biseau 57 mm (2 1/4 po)
Régime sous vide (trs/min)	3 650

Déballage

Ouvrir l'emballage et en sortir la scie (fig. 1).

Sortir soigneusement la scie circulaire à table et toutes les pièces détachées de l'emballage. Examiner toutes les pièces pour s'assurer qu'elles n'ont pas été endommagées pendant le transport. S'il manque des pièces ou en cas de dommages, communiquer avec le détaillant afin de les remplacer avant de procéder au montage.

La figure 2 montre toutes les pièces détachées et les ferrures emballées avec la scie.

1. Guide de refente
2. Lame (fixée au socle de la scie)
3. Clé de l'axe et clé de l'arbre (fixés au socle de la scie)
4. Protecteur
5. plaque de lumière
6. Guide d'onglet

Examiner les figures 3 et 4 afin de mieux connaître la scie et ses composants. Les rubriques suivantes relatives au montage et aux réglages font référence aux composants de la scie et il faut savoir où ils se trouvent.

Montage

MONTER LA SCIE DANS L'ORDRE SUIVANT.

1. Lame
2. Guide de refente (Note : Régler au préalable l'échelle de refente. Consulter la rubrique relative au réglage de l'échelle de refente qui suit.)
3. Protecteur
4. Plaque de lumière

Il faut un tournevis et les clés fournies pour procéder au montage.

MONTAGE DU GUIDE DE REFENTE

Le guide de refente s'installe du côté gauche ou droit de la scie.

1. Trouver la tige et l'ouverture sur les rails du guide (fig. 5). Aligner la tige sur la fente et la patte d'attache sur l'ouverture.
2. Fixer le guide de refente en enclenchant les pattes d'attache sur les rails (fig. 6). Bien enclencher les deux pattes d'attache en place.

INSTALLATION ET REMPLACEMENT DE LA LAME

1. Soulever au maximum l'axe de la lame en faisant tourner dans le sens horaire la manivelle de réglage de la hauteur de la lame.
2. Retirer l'écrou et la bride de l'axe de la scie en les faisant tourner dans le sens antihoraire.
3. Installer la lame sur l'arbre en s'assurant que les dents de la lame pointent vers le bas sur le devant de la table. Installer les rondelles et l'écrou de l'axe sur l'arbre. Serrer l'écrou de l'axe à la main au maximum en s'assurant que la lame repose contre la rondelle intérieure et que la partie large de la rondelle repose contre la lame. S'assurer que le côté de la rondelle extérieure portant la mention «Blade Side» repose contre la lame (fig. 8). S'assurer que l'arbre et les rondelles sont libres de poussière et de débris.
4. Placer la clé à fourche sur l'arbre de la scie afin d'empêcher l'arbre de tourner lorsqu'on serre l'écrou (fig. 7A).
5. Serrer l'écrou de l'axe à l'aide de la clé (fig. 8) en faisant tourner l'écrou dans le sens horaire.
6. **NOTE :** Les rainures (largeur de la voie coupée) peuvent être différentes selon le type de lame utilisée. Il faut donc vérifier le réglage de l'indicateur du guide de refente ainsi que du répartiteur lorsqu'on remplace la lame.

RÉGLAGE DE L'ÉCHELLE DE REFENTE

1. Déverrouiller le levier de verrouillage des rails (fig. 9).
2. Régler la lame à un angle de biseau de 0° et déplacer le guide jusqu'à ce qu'il touche la lame.
3. Verrouiller le levier de verrouillage des rails.
4. Desserrer les vis de l'indicateur de l'échelle de refente (fig. 16) et régler l'indicateur à zéro (0). Resserrer les vis de l'indicateur de l'échelle de refente. L'échelle de refente indique la bonne lecture seulement lorsque le guide est installé du côté droit de la lame.

FIXATION DU PROTÈGE-LAME

1. Soulever l'arbre de la lame de la scie jusqu'à sa hauteur maximale en tournant la roue de réglage de hauteur vers la droite.
2. Desserrer les deux boulons illustrés à la figure 10 sans les retirer.
3. Insérer le protège-lame, tel qu'illustré à la figure 11, en s'assurant que les boulons s'ancrent fermement dans les fentes de ce dernier. Le bord du couteau séparateur doit dépasser et s'accrocher sous les cales. Resserrer les boulons. S'assurer que le couteau séparateur soit centré et placé parallèlement à la scie en alignant les pièces au moyen d'une règle droite. Si le couteau et la lame ne sont pas alignés, desserrer les boulons mais sans les retirer.

Retirer le protège-lame. Le réinsérer après avoir ajusté les cales; ces dernières permettent d'aligner précisément la lame et le couteau séparateur. Serrer solide-

ment les boulons en s'assurant qu'il y ait un jeu entre le couteau séparateur et la lame et que celle-ci tourne librement. Si le couteau séparateur est incliné par rapport à la lame, on peut plier la plaque du couteau jusqu'à ce qu'elle soit alignée correctement.

IMPORTANT : LE PROTÈGE-LAME DOIT ÊTRE EN PLACE POUR CHAQUE TRAVAIL DE COUPE.

4. Resserrer fermement les boulons.

REMARQUE: Vérifier l'alignement après chaque modification apportée à l'angle de coupe.

Lorsque l'alignement est correct, le répartiteur est aligné sur la lame aux niveaux du dessus de la table et du dessus de la lame. Vérifier à l'aide de la règle à niveler. Lorsque la scie est débranchée, faire fonctionner le dispositif d'inclinaison et de réglage de la hauteur de la lame au maximum et au minimum afin de s'assurer que le protecteur ne touche jamais à la lame et que les cliquets d'arrêt sont en service.

INSTALLATION DE LA PLAQUE DE LUMIERE

1. Aligner la plaque de lumière de la manière illustrée à la figure 12 et insérer les ergots à l'arrière de la plaque de lumière dans les trous à l'arrière de la table.
2. Appuyer sur l'avant de la plaque de lumière afin de l'enclencher en place.
3. La plaque de lumière comporte quatre vis de réglage permettant de la soulever ou de l'abaisser. Lorsque la plaque est bien réglée, l'avant de celle-ci devrait affleurer la surface de la table ou se trouver légèrement sous le niveau de la table. On la fixe alors en place. L'arrière de la plaque de lumière devrait affleurer la surface de la table ou se trouver légèrement au-dessus du niveau de la table.

MISE EN GARDE : La plaque de lumière devrait être en place en tout temps.

Montage sur établi

METTRE LA SCIE HORS TENSION ET LA DÉBRANCHER.

La scie circulaire à table doit être solidement fixée. **La surface de montage doit comporter une ouverture de 380 mm sur 508 mm (15 po X 20 po) afin de permettre le dépoussiérage.**

Les pieds de l'outil sont pourvus de quatre trous pour le montage. Il est fortement recommandé d'utiliser ces quatre trous pour ancrer la scie circulaire à table sur un établi ou sur tout autre support fixe et rigide. Comme solution de rechange, on peut la monter sur une pièce de bois qui peut, à son tour, être fixée à l'aide de pinces en C à la surface de travail, à un support ou à un étau-établi Workmate^{md} afin d'en faciliter le transport. Le support de scie circulaire à table DeWALT, modèle DW7440, est conçu pour servir avec la scie et on peut se le procurer chez le détaillant ou au centre de service DeWALT de la région.

FIG. 6

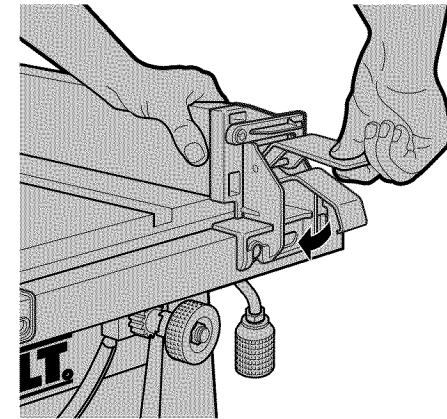


FIG. 7

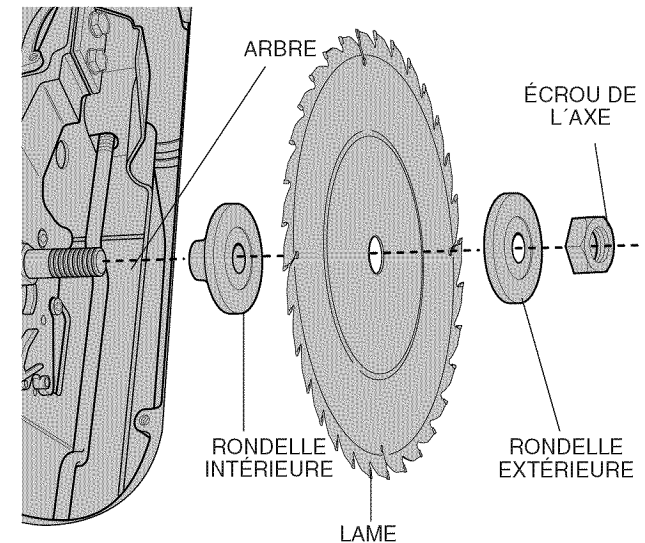
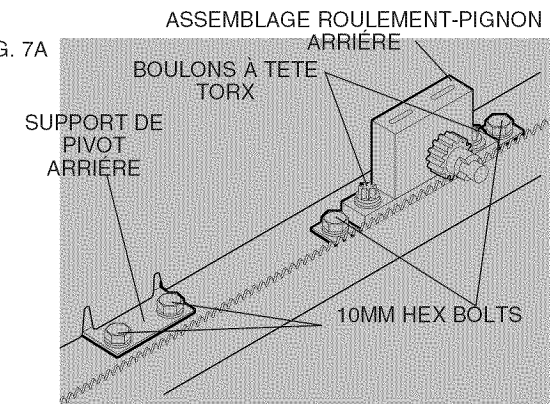
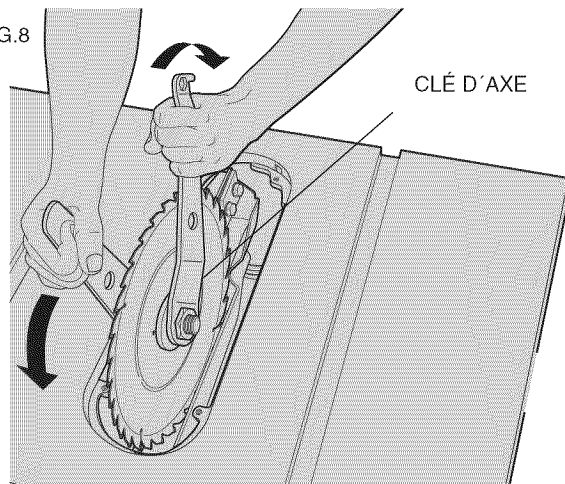


FIG. 7A



(LA SCIE EST RENVERSÉE POUR CLARIFIER)

FIG. 8



CLÉ D'AXE

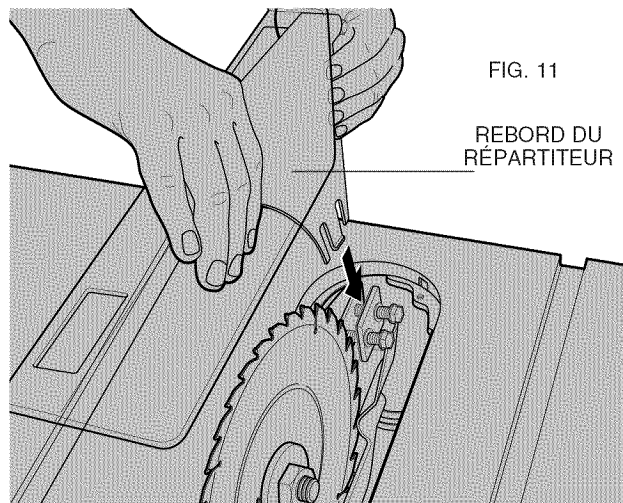


FIG. 11

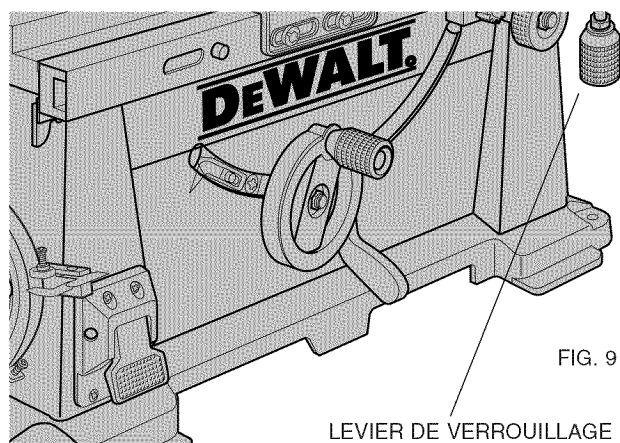
REBORD DU
RÉPARTITEUR

FIG. 9

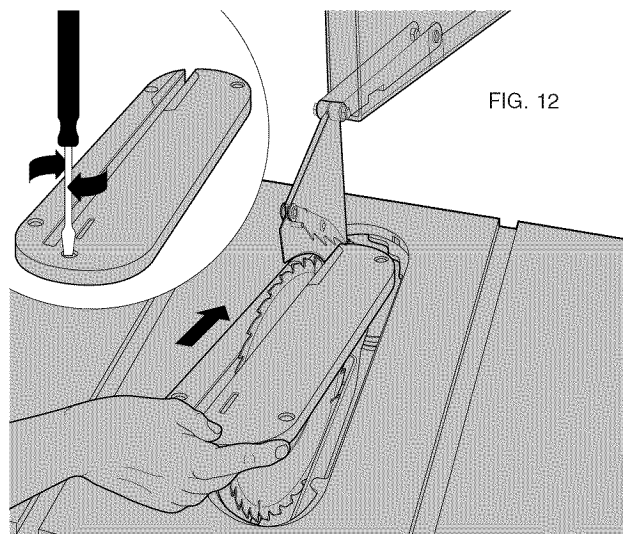
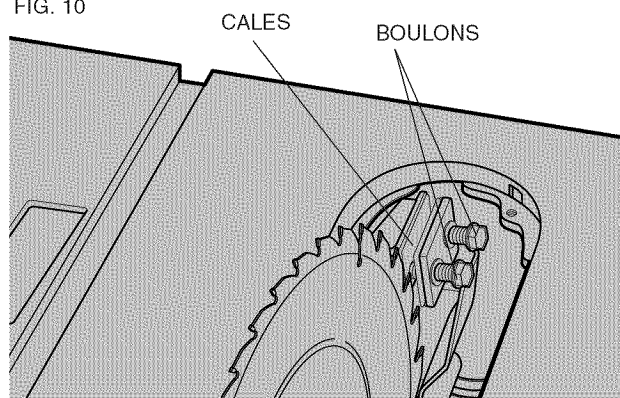
LEVIER DE VERROUILLAGE
DES RAILS

FIG. 12

FIG. 10



CALES

BOULONS

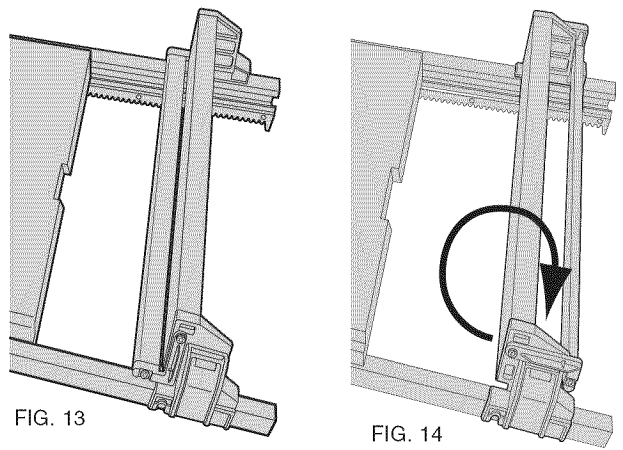


FIG. 13

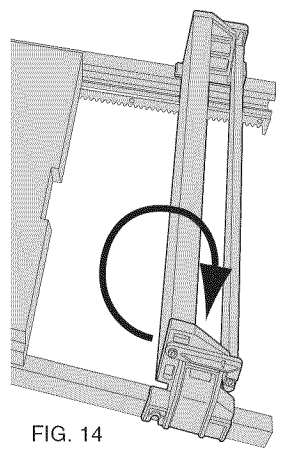


FIG. 14

⚠ **MISE EN GARDE** : L'installation non permanente de la scie circulaire à table sur la surface de travail présente des risques.

1. Centrer la scie sur une pièce carrée de contreplaqué d'une épaisseur de 12,7 mm (1/2 po). La pièce doit comporter une ouverture de XX mm sur XX mm (15 po X 20 po) afin de permettre le dépoussiérage.
2. À l'aide d'un crayon, marquer l'emplacement des quatre trous de montage à travers le socle de la scie.
3. Retirer la scie et percer des trous de 6,4 mm (1/4 po) aux endroits marqués.
4. Placer la scie sur les quatre trous percés dans le contreplaqué et insérer **DU DESSOUS** quatre vis mécaniques de 6,4 mm (1/4 po), puis installer des rondelles et des écrous de 6,4 mm (1/4 po) sur le dessus. Bien serrer.
5. Afin d'empêcher les têtes de vis d'égratigner la surface sur laquelle on fixe la scie, installer deux bandes de bois inutiles sous la base de contreplaqué. Ces bandes peuvent être collées ou vissées du dessus en autant que les vis ne dépassent pas sous la bande.
6. Fixer le contreplaqué à l'établi à l'aide d'une pince en C lorsqu'on veut se servir de la scie.

⚠ **MISE EN GARDE** : S'assurer que la scie circulaire à table est bien installée avant de s'en servir.

Connexion électrique

IMPORTANT : Avant de brancher la scie, s'assurer que l'interrupteur est en position HORS TENSION.

Veiller à ce que la tension d'alimentation soit conforme aux exigences de la plaque signalétique de l'outil. La mention «AC ONLY» signifie que l'outil fonctionne seulement sur une alimentation en courant alternatif. Une baisse de tension de plus de 10 p. 100 entraîne une perte de puissance et la surchauffe. Tous les outils DeWALT sont essayés avant de quitter l'usine. Lorsque celui-ci refuse de fonctionner, vérifier la source de courant électrique.

Fonctionnement du guide de refente

LEVIER DE VERROUILLAGE DES RAILS

Le levier de verrouillage sert à bloquer les rails du guide de refente en place afin d'en empêcher le mouvement. Pour bloquer le levier de verrouillage des rails, l'abaisser. Pour le débloquer, le soulever (fig. 9).

NOTE : Toujours bloquer le levier de verrouillage des rails pour effectuer des coupes de refente.

RALLONGE DE SOUTIEN

La scie circulaire à table comporte une rallonge pour soutenir les pièces qui dépassent la table. Pour s'en servir, faire tourner la rallonge (fig. 13). Lorsqu'elle ne sert pas, la rallonge est escamotable (fig. 14).

NOTE : Escamoter la rallonge lorsqu'elle ne sert pas.

BOUTON DE RÉGLAGE DE PRÉCISION

Le bouton de réglage de précision (fig. 15) permet de régler le guide avec précision. Avant de procéder au réglage, s'assurer que le levier de verrouillage des rails est soulevé ou débloqué.

INDICATEUR DE L'ÉCHELLE DE REFENTE

NOTE : Il faut régler l'indicateur de l'échelle de refente lorsqu'on installe une lame d'une épaisseur différente.

Interrupteur

Soulever la palette de l'interrupteur pour mettre la scie en marche et l'abaisser pour arrêter la scie.

L'interrupteur comporte un trou afin de pouvoir y insérer un cadenas pour verrouiller la scie en position hors tension (fig. 17).

▲ AVERTISSEMENT : S'assurer que l'interrupteur est en position hors tension avant de brancher la scie.

Réglages

NOTE : La scie est complètement et précisément réglée en usine. Lorsqu'on doit la régler de nouveau en raison de la manutention et de l'expédition (ou pour toute autre raison), se conformer aux consignes suivantes.

Lorsque ces réglages sont effectués, ils sont permanents. Prendre le temps de suivre soigneusement les consignes du présent guide afin de s'assurer de la précision optimale de la scie.

RÉGLAGE DU VERROUILLAGE DES RAILS

1. Bloquer le levier de verrouillage des rails (fig. 9) en l'abaissant.
2. Serrer l'écrou qui se trouve sous la scie (fig. 18). Régler l'écrou jusqu'à ce qu'il n'y ait plus de jeu entre les rondelles Belleville.
3. Lorsque les ressorts se touchent presque, desserrer l'écrou de un demi-tour.

RÉGLAGE DE L'ALIGNEMENT DE LA LAME SUR LA TABLE

1. DÉBRANCHER LA SCIE AVANT DE RÉGLER LA LAME.
2. Placer la scie droite. À l'aide d'une clé à douille de 10 mm, desserrer les attaches du support de pivot arrière suffisamment pour déplacer latéralement le support (fig. 7A).
3. Régler le support jusqu'à ce que la lame soit parallèle à la fente du guide d'onglet.
4. Resserrer les attaches du support de pivot arrière en exerçant un couple de 7-8 lb-pi.

RÉGLAGE DE L'ÉCHELLE DE REFENTE

Voir la rubrique «Réglage de l'échelle de refente» à la page 16.

RÉGLAGE DE LA BUTÉE ET DE L'INDICATEUR DE BISEAUX

1. Soulever la lame au maximum (en faisant tourner au maximum la manivelle de réglage de la hauteur de la lame dans le sens horaire.

2. Débloquer le levier de verrouillage de l'angle de coupe (fig. 3) en le soulevant et en le poussant vers la droite. Desserrer la vis de la butée pour biseaux (fig. 19).
3. Placer une équerre à plat contre le dessus de la table et entre les dents de la lame (fig. 20). S'assurer que le levier de verrouillage de l'angle de coupe est soulevé ou débloqué.
4. Régler l'angle de coupe à l'aide du levier de verrouillage jusqu'à ce qu'il soit à plat contre l'équerre.
5. Serrer le levier de verrouillage en l'abaissant.
6. Faire tourner la came de la butée pour biseaux jusqu'à ce qu'elle entre fermement en contact avec le palier de roulement. Serrer la vis de la butée pour biseaux.
7. Vérifier l'échelle de biseaux. Lorsque l'indicateur ne se trouve pas sur 0°, desserrer la vis de l'indicateur (fig. 19) et déplacer l'indicateur jusqu'à ce que la lecture soit correcte. Resserrer la vis de l'indicateur.
8. Répéter à 45°, mais ne pas régler l'indicateur.

RÉGLAGE DU GUIDE D'ONGLET

Le guide d'onglet comporte des butées réglables à 90° et à 45° à gauche et à droite. Pour régler ces butées, desserrer les écrous de blocage et serrer ou desserrer les trois vis de réglage contre la plaque de butée (fig. 21).

RÉGLAGE PARALLELE DU GUIDE

1. Débloquer le levier de verrouillage des rails.
2. Trouver le roulement de pignon arrière et desserrer les deux boulons hexagonaux suffisamment pour permettre le déplacement latéral.
3. Régler le guide de sorte qu'il soit parallèle à la lame.
4. Bloquer le levier de verrouillage des rails et vérifier si le guide est parallèle à la lame.
5. Serrer les deux boulons hexagonaux qui retiennent le roulement de pignon arrière contre la table.

NOTE : Lorsque le roulement de pignon ne peut se déplacer suffisamment pour que le guide soit parallèle à la lame, confier l'outil au personnel d'un centre de service autorisé.

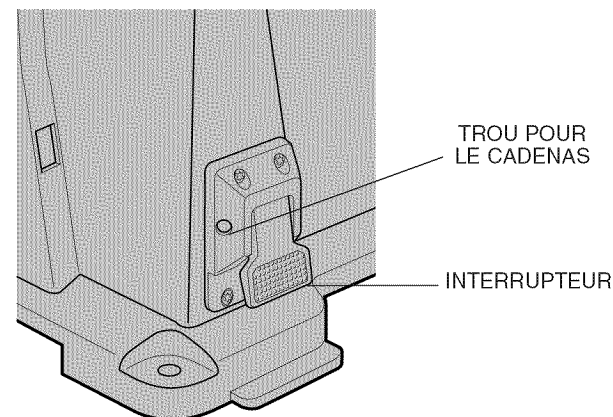
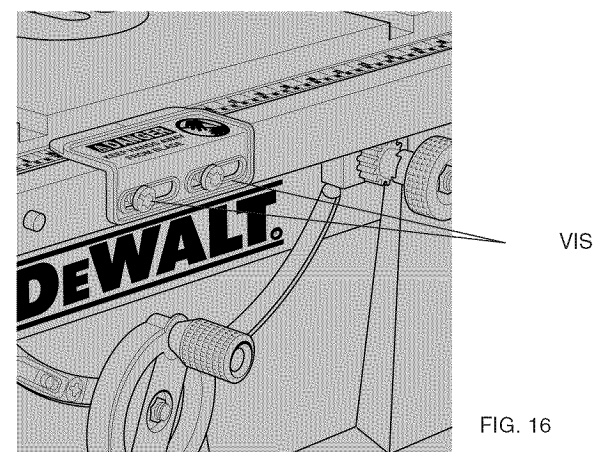
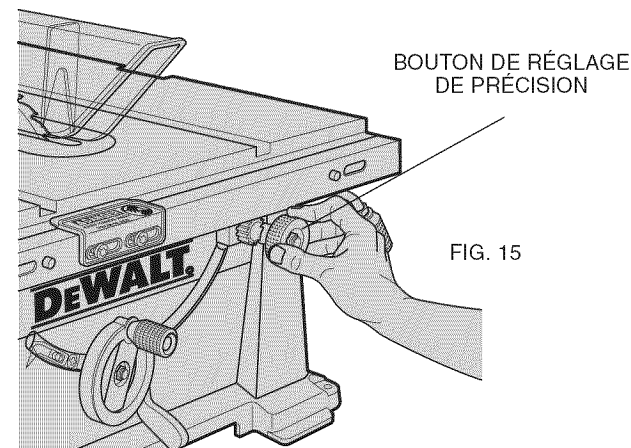
RÉGLAGE DU PIGNON À CRÉMAILLÈRE

Le pignon à crémaillère est bien réglé en usine. Lorsqu'il faut le régler de nouveau, faire ce qui suit.

1. Renverser la scie et trouver le roulement de pignon avant.
2. À l'aide d'un tournevis à lame étroite ou d'un outil Torx n° 20, atteindre la vis par la fente. Desserrer la vis dans le sens antihoraire jusqu'à ce que la tête touche à l'intérieur de la boîte des roulements.
3. Serrer la vis (dans le sens horaire) de 3/4 tour.
4. Répéter pour le roulement de pignon arrière.

Lames

LA SCIE EST CONÇUE POUR UTILISER DES LAMES D'UN DIAMÈTRE MAXIMAL De 254 mm (10 po).



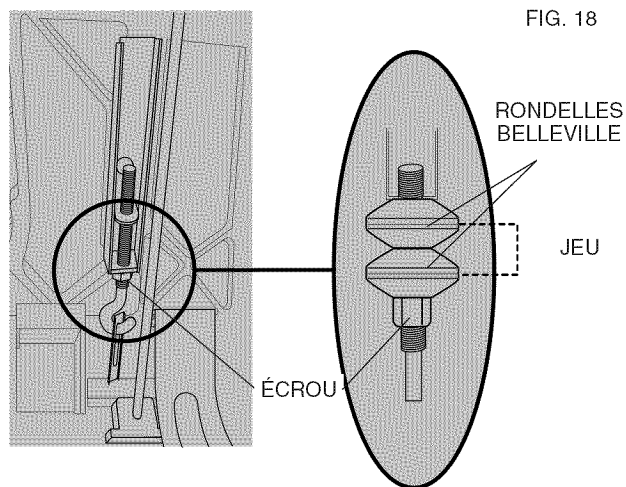


FIG. 18

RONDELLES
BELLEVILLE

JEU

ÉCROU

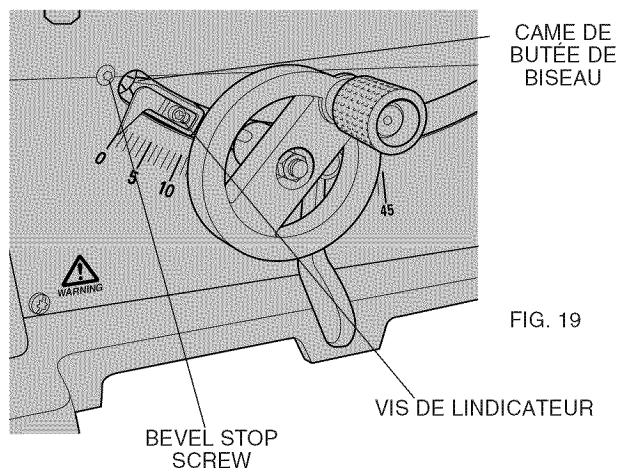


FIG. 19

CAME DE
BUTÉE DE
BISEAU

VIS DE LINDICATEUR

BEVEL STOP
SCREW

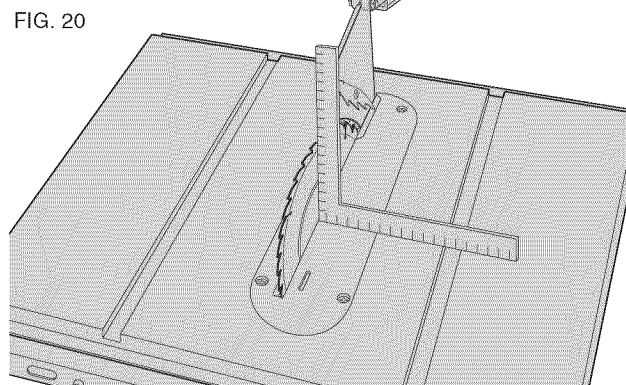


FIG. 20

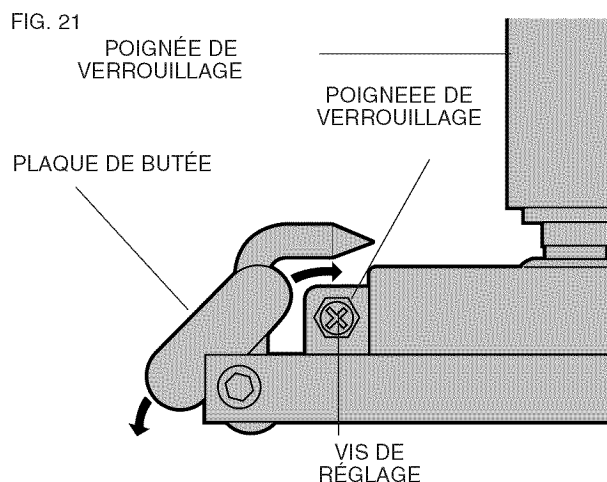


FIG. 21

POIGNÉE DE
VERROUILLAGE

POIGNÉE DE
VERROUILLAGE

PLAQUE DE BUTÉE

VIS DE
RÉGLAGE

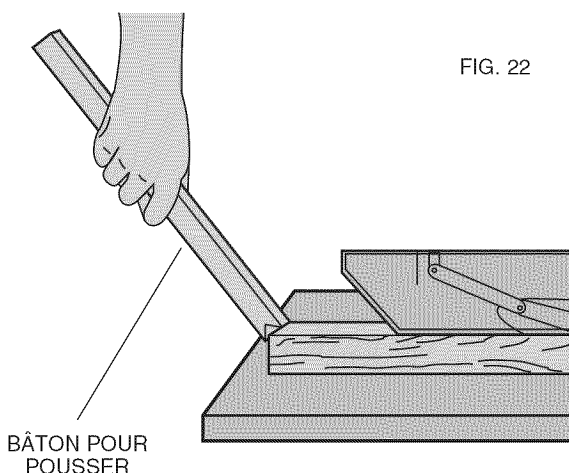


FIG. 22

BÂTON POUR
POUSSER

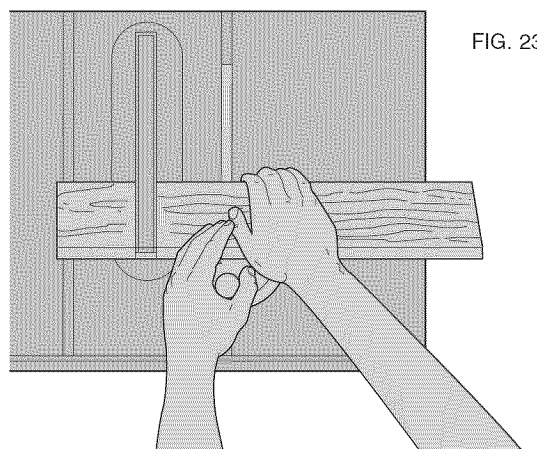


FIG. 23

1. La lame fournie avec la scie est une lame universelle de 254 mm (10 po) qui sert pour effectuer des coupes transversales (à travers le sens du grain) et de refente (dans le sens du grain). Le trou qui s'adapte sur l'arbre est de 16 mm (5/8 po ou 0,625 po). La lame produit une coupe de bonne qualité pour la plupart des utilisations.
2. Il existe de nombreux types de lames permettant d'effectuer des tâches spécifiques et particulières (comme les lames pour coupes en travers seulement, pour refente seulement, à dents évidées, minces pour contreplaqué, à revêtement, etc.).
3. Utiliser seulement des lames conçues pour fonctionner à une vitesse de fonctionnement maximale d'au moins 5 000 trs/min.
4. Les lames de scie doivent toujours être affûtées. Il est conseillé de trouver un service d'affûtage reconnu afin de faire affûter ses lames au besoin.
5. Ne jamais empiler les lames lorsqu'on les range. Placer un matériau comme du carton entre elles pour éviter qu'elles ne se touchent.

▲ **MISE EN GARDE** : Il ne faut pas utiliser de lames abrasives avec la scie.

Rebonds

Les rebonds sont dangereux! Ils sont provoqués par le coincement de la pièce à ouvrir sur la lame. Il en résulte le déplacement rapide de la pièce dans un sens opposé à celui de l'alimentation de la pièce. En cas de rebond, la pièce peut être projetée sur l'utilisateur. En outre, le rebond peut projeter la main de l'utilisateur sur la lame si ce dernier a pas placé sa main derrière la lame. En cas de rebond, mettre la scie hors tension et vérifier le bon fonctionnement du répartiteur, des cliquets et des protecteurs avant de reprendre les travaux.

▲ MISE EN GARDE

1. Toujours utiliser le protecteur et s'assurer qu'il est en bon état de fonctionnement. Le répartiteur du protecteur aide à prévenir les coincements et les cliquets d'arrêt de chaque côté du répartiteur minimisent la possibilité de rebonds. Travailler soigneusement jusqu'à ce que la pièce ait traversé le répartiteur et qu'elle ait atteint les cliquets d'arrêt.
2. Ne pas couper du bois gauchi, fléchi ni courbé. La pièce à ouvrir doit avoir un rebord droit et uniforme qu'on place contre le guide de refente ou le guide d'onglet. La pièce doit reposer à plat contre la table sans basculer.
3. Ne pas couper à main levée. Toujours utiliser le guide de refente ou le guide d'onglet. Ne jamais utiliser les deux.
4. Accorder une attention particulière lorsqu'on doit retirer le protecteur (pour faire des embrèvements ou des moulures).
5. Bien soutenir les grandes pièces. Il y a risque de rebond si on les laisse pendre ou s'affaisser.

Fonctionnement

Les coupes ordinaires comprennent les refente et les coupes transversales, ainsi que d'autres opérations standard de nature fondamentale. Les méthodes suivantes comportent des mesures de sûreté. Comme pour tous les outils électriques, on peut grandement minimiser les risques de blessures en travaillant avec soin et en respectant les consignes suivantes. Toutefois, si l'utilisateur ignore ou ne prend pas toutes les précautions normales, il y a risque de blessures. Lire et respecter tous les avertissements des étiquettes de la scie. La coupe complète consiste en une coupe divisant le matériau en deux. Se conformer aux directives du présent guide.

LA SCIE N'EST PAS CONÇUE POUR COUPER LES MÉTAUX.

Directives relatives au fonctionnement

Il y a deux types de coupes de base : en refente et en travers. En règle générale, les refentes se font dans le sens du grain et les coupes transversales se font à travers le sens du grain. Il est toutefois difficile de faire cette distinction de la cas des matériaux synthétiques. C'est pourquoi, il est entendu qu'une coupe de bois pour obtenir une largeur différente de la largeur initiale constitue une refente tandis qu'une coupe dans la dimension la plus courte est une coupe en travers. Il n'est pas sûr d'effectuer l'une ou l'autre de ces coupes à main levée. Il faut utiliser le guide pour les coupes en refente et le guide d'onglet pour les coupes en travers.

▲ MISE EN GARDE : Il faut toujours vérifier les points suivants avant chaque utilisation de la scie.

1. La lame est serrée.
2. Le bouton de verrouillage du biseau est serré.
3. En cas de refente, le levier de verrouillage des rails est serré et le guide est parallèle à la lame.
4. En cas de coupes transversales, le levier du guide d'onglet est serré.
5. Le protecteur est en place et il fonctionne bien.
6. L'utilisateur porte des lunettes de sécurité.
7. Le protecteur est bien fixé et les cliquets d'arrêt fonctionnent bien.

Le non-respect de ces mesures fondamentales augmente grandement le risque de blessures.

Refente

1. Fixer le guide de refente en abaissant le levier de verrouillage des rails. Retirer le guide d'onglet.
2. Soulever la lame de sorte qu'elle dépasse le dessus de la pièce à ouvrir de 3,2 mm (1/8 po).
3. Retenir la pièce à plat contre la table et le guide. Garder la pièce à environ 25,4 mm (1 po) de la lame.

▲ MISE EN GARDE : Il faut placer un rebord droit de la pièce à ouvrir contre le guide et ce rebord ne doit pas être gauchi, tordu ni recourbé. Éloigner les mains de la lame et de sa trajectoire.

4. Mettre la scie en marche et attendre que la lame atteigne son plein régime. On peut utiliser les deux mains pour partir la coupe. N'utiliser qu'une seule main lorsqu'il reste environ 305 mm (12 po) de matériau à refendre en se servant du pouce pour pousser le matériau, de l'index et du majeur pour retenir le matériau contre la table ainsi que de l'annuaire et de l'auriculaire pour le retenir contre le guide. Toujours laisser le pouce près de l'index et du majeur, près du guide.

5. Tout en retenant la pièce contre la table et le guide, alimenter lentement la pièce vers l'arrière à travers la lame. Continuer de pousser la pièce jusqu'à ce qu'elle soit sortie du protecteur et qu'elle tombe à l'arrière de la table. Ne pas surcharger le moteur.

6. Ne jamais tenter de retirer la pièce lorsque la lame tourne. Mettre l'interrupteur en position hors tension, attendre l'immobilisation de la lame, soulever les cliquets d'arrêt de chaque côté du répartiteur au besoin et faire glisser la pièce hors de la scie.

7. Lorsqu'on scie une longue pièce de matériau ou un panneau, toujours se servir d'un soutien. Un chevalet, des rouleaux ou un dispositif d'alimentation externe feront l'affaire. Le soutien doit être à la même hauteur que la table de la scie.

▲ MISE EN GARDE : Ne jamais pousser ni retenir la partie inutile du matériau découpé.

Refente en biseau

Ce genre de coupe se fait comme une refente sauf qu'on règle le biseau à un angle autre que 0°.

▲ AVERTISSEMENT : Avant de brancher la scie circulaire à table ou de la mettre en marche, toujours vérifier l'alignement et le jeu du protecteur et du répartiteur. Vérifier l'alignement après chaque modification apportée à l'angle de coupe.

Refente de petites pièces

Il n'est pas sûr de couper en refente de petites pièces. Il n'est pas sûr de placer les mains près de la lame. Il vaut mieux, dans ce cas, de couper en refente une grande pièce pour obtenir la pièce voulue. Lorsqu'il faut refendre une pièce de petite largeur et qu'on ne peut placer la main entre la lame et le guide, se servir d'un ou de plusieurs bâtonnets. Le présent guide comporte un modèle à la page XX permettant de se fabriquer un tel bâtonnet. S'en servir pour retenir la pièce contre la table et le guide, ainsi que pour pousser la pièce à travers la lame (fig. 22).

Coupes transversales

1. Retirer le guide de refente et placer le guide d'onglet dans la fente voulue.
2. Régler la hauteur de la lame de sorte qu'elle dépasse le dessus du matériau de 3,2 mm (1/8 po).

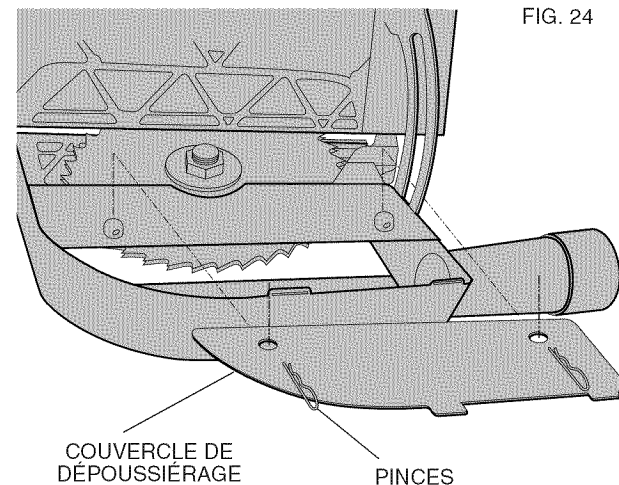


FIG. 24

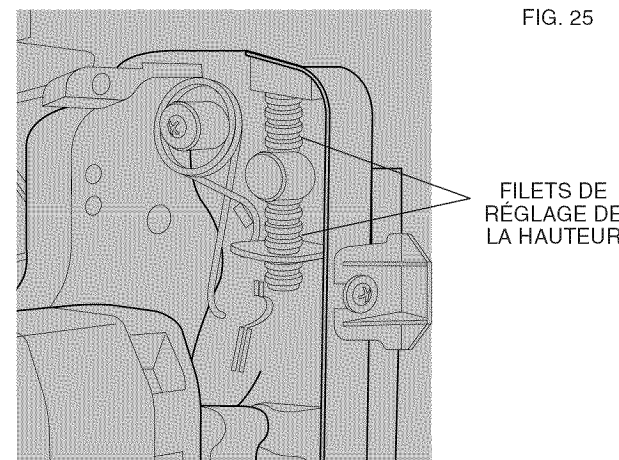


FIG. 25

3. Retenir la pièce fermement contre le guide d'onglet en alignant la trajectoire de la lame sur l'emplacement voulu de la coupe. Laisser la pièce à environ 25,4 mm (1 po) du devant de la lame. ÉLOIGNER LES DEUX MAINS DE LA LAME ET DE SA TRAJECTOIRE.

4. Démarrer la scie et attendre que la lame atteigne son plein régime.

5. Tout en se servant des deux mains pour maintenir la pièce contre le devant du guide d'onglet et à plat contre la table, pousser lentement la pièce à travers la lame (fig. 23).

6. Ne jamais tenter de retirer la pièce lorsque la lame tourne. Mettre l'interrupteur en position hors tension, attendre l'immobilisation de la lame et retirer soigneusement la pièce hors de la scie.

▲ **MISE EN GARDE** : Ne jamais toucher ni retenir la partie inutile du matériau découpé.

Coupes transversales en biseau

Ce genre de coupe se fait comme une coupe transversale sauf qu'on règle le biseau à un angle autre que 0°.

▲ **AVERTISSEMENT** : Avant de brancher la scie circulaire à table ou de la mettre en marche, toujours vérifier l'alignement et le jeu du protecteur et du répartiteur. Vérifier l'alignement après chaque modification apportée à l'angle de coupe.

Onglets

Ce genre de coupe se fait comme une coupe transversale sauf qu'on règle le guide d'onglet à un angle autre que 0°. Maintenir la pièce FERMEMENT contre le guide d'onglet et alimenter la pièce lentement à travers la lame pour l'empêcher de bouger (fig. 23).

FONCTIONNEMENT DU GUIDE D'ONGLET

Pour régler le guide d'onglet, il faut desserrer la poignée de verrouillage et déplacer le guide d'onglet vers l'angle voulu. Le guide d'onglet comporte des butées réglées à 90° et à 45° à gauche et à droite. Pour déplacer le guide d'onglet au-delà de ces butées, soulever la plaque de butée (fig. 21).

Onglets mixtes

Il s'agit d'un mélange de coupe transversale en biseau et d'une coupe en onglets. Suivre les consignes pour les coupes transversales en biseau et pour les coupes en onglets.

Embrèvements

▲ **MISE EN GARDE** : Ne pas tenter d'empiler des lames d'embrèvement d'une épaisseur de plus de 20 mm (13/16 po). Ne pas utiliser des lames d'embrèvement d'un diamètre de plus de 200 mm (8 po).

Puisque les embrèvements ne traversent pas le matériau, il faut faire ce genre de coupe après avoir retiré le protecteur. Pour retirer ce dernier, desserrer les deux boulons (fig. 10) et retirer le protecteur.

Lorsqu'on se sert d'une lame d'embrèvement (vendue séparément), il faut utiliser la pièce rapportée spéciale pour les embrèvements (vendue séparément).

Chaque fois qu'il faut couper une rainure plus large que celle de la scie, il faut faire un embrèvement. Ce genre de coupe sert surtout pour donner du soutien et aligner une tablette pour une étagère, une bibliothèque ou tout autre projet semblable. Lorsqu'on fait un embrèvement, il faut retirer le protecteur. Faire TRÈS attention lorsqu'on fait un embrèvement sans le protecteur. Lorsqu'il faut effectuer une coupe profonde, faire plusieurs passes successives au lieu de faire la coupe en une seule passe. La largeur

maximale de l'embrèvement sur la scie est de 20 mm (13/16 po). NE PAS UTILISER DES COMBINAISONS PLUS LARGES.

▲ **MISE EN GARDE** : Toujours vérifier le jeu des lames d'embrèvement avant d'utiliser la scie.

Remettre le protecteur en place et vérifier les réglages à la fin des embrèvements.

Dépoussiérage

La scie circulaire à table comporte un couvercle et un orifice de dépoussiérage. Afin d'optimiser les résultats, brancher un boyau d'aspirateur sur l'orifice située à l'arrière de la scie.

Lorsqu'on se sert de la scie sans aspirateur, la plupart de la poussière générée sera soufflée hors de l'orifice de dépoussiérage. De la poussière s'accumulera toutefois dans le socle de la scie. Lorsqu'on se sert de la scie sur une table ou sur toute autre surface sans orifice vers le bas, il faut nettoyer le socle de la scie et la sciure accumulée après chaque coupe.

Le système de dépoussiérage peut se bloquer à la longue. Pour le nettoyer, faire ce qui suit.

- Débrancher la scie.
- Basculer la scie sur son côté de façon à avoir accès au socle.
- Ouvrir le couvercle de dépoussiérage (fig. 24) en retirant les deux pinces illustrées. Enlever la poussière accumulée et fixer de nouveau le couvercle à l'aide des pinces.

Lorsqu'on coupe du bois vert ou lorsqu'on fait des embrèvements, le retrait du couvercle de dépoussiérage prévient le blocage.

Lubrification

- Tous les roulements du moteur ont été lubrifiés en permanence à l'usine et ils ne nécessitent aucune autre lubrification.
- Il peut être nécessaire de nettoyer et de lubrifier régulièrement la vis de réglage de la hauteur. Lorsqu'on éprouve de la difficulté à soulever ou à abaisser la lame, faire ce qui suit.
 - Débrancher la scie.
 - Basculer la scie sur son côté de façon à avoir accès au socle.
 - Nettoyer et lubrifier les filets de la vis de réglage de la hauteur qui se trouve sous la scie avec de la graisse d'usage général (fig. 25).

Accessoires

Les accessoires recommandés pour l'outil sont vendus séparément chez les détaillants et au centre de service de la région.

La société DEWALT offre les accessoires suivants pour la scie.

- Support de scie portatif
- Support latéral et d'alimentation
- Plaque de lumière de rechange
- Plaque de lumière pour embrèvements

▲ **MISE EN GARDE** : L'utilisation de tout accessoire non recommandé pour l'outil peut être dangereuse.

Pour trouver un accessoire, prière de communiquer avec DEWALT Industrial Tool Co., 701 East Joppa Road, Baltimore, MD 21286, É.-U. ou composer sans frais le 1 (800) 4-DEWALT (1 (800) 433-9258).

Nettoyage

Utiliser seulement du savon doux et un chiffon humide pour nettoyer l'outil. Ne laisser aucun liquide s'infiltrer dans l'outil et ne jamais immerger l'outil. **Ne jamais utiliser des solvants pour nettoyer la scie ou le protecteur.**

Important

Pour assurer la SÉCURITÉ D'EMPLOI et la FIABILITÉ de l'outil, n'en confier la réparation, l'entretien et les rajustements (y compris l'inspection et le remplacement des balais) qu'au personnel d'un centre de service DEWALT ou d'un atelier d'entretien autorisé n'utilisant que des pièces de rechange identiques.

Garantie limitée de trois ans

DEWALT réparera, sans frais, tout produit défectueux causé par un défaut de matériel ou de fabrication pour une période de trois ans à compter de la date d'achat. La présente garantie ne couvre pas les pièces dont la défectuosité a été causée par une usure normale ou l'usage abusif de l'outil. Pour obtenir de plus amples renseignements sur les pièces ou les réparations couvertes par la présente garantie, visiter le site www.dewalt.com ou composer le 1 800 433-9258 (1 800 4-DEWALT). Cette garantie ne s'applique pas aux accessoires et ne vise pas les dommages causés par des réparations effectuées par un tiers. Cette garantie confère des droits légaux particuliers à l'acheteur, mais celui-ci pourrait aussi bénéficier d'autres droits variant d'un état ou d'une province à l'autre.

En plus de la présente garantie, les outils DEWALT sont couverts par notre :

CONTRAT D'ENTRETIEN GRATUIT D'UN AN

DEWALT entretiendra l'outil et remplacera les pièces usées au cours d'une utilisation normale et ce, gratuitement, pendant une période d'un an à compter de la date d'achat, et la

GARANTIE DE REMBOURSEMENT DE 90 JOURS

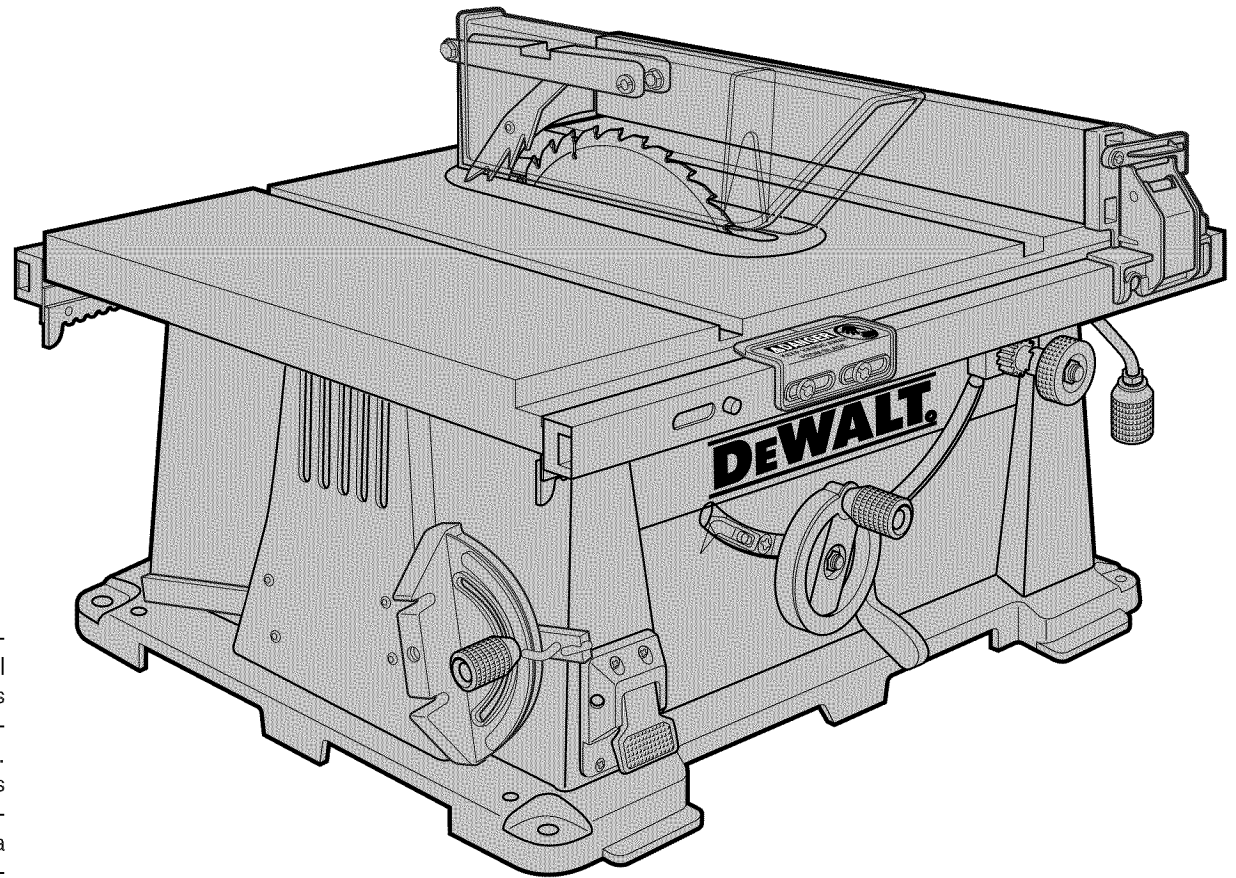
Si l'acheteur n'est pas entièrement satisfait, pour quelque raison que ce soit, du rendement de l'outil électrique, du laser ou de la cloueuse DEWALT, celui-ci peut le retourner,

accompagné d'un reçu, dans les 90 jours à compter de la date d'achat, pour obtenir un remboursement intégral, sans aucun problème.

REPLACEMENT GRATUIT DE L'ÉTIQUETTE

Si vos étiquettes d'avertissement deviennent illisibles ou sont manquantes, composez le 1-800-4-DEWALT pour obtenir une étiquette de remplacement gratuite.

⚠ ADVERTENCIA: POR SU PROPIA SEGURIDAD, LEA EL MANUAL DE INSTRUCCIONES ANTES DE OPERAR LA SIERRA · SIEMPRE UTILICE PROTECCION PARA LOS OJOS · NO EMPLEE GUANTES, CORBATA, JOYAS O ROPAS SUELTAS · SUJETE SU CABELLO SI LO TIENE LARGO · CONSERVE LAS MANOS Y LOS DEDOS FUERA DEL CAMINO DEL DISCO DE LA SIERRA — TENGA PRECAUCION EXTREMA CUANDO CORTE A BISEL · SIEMPRE UTILICE LA GUARDA DEL DISCO Y EL SEPARADOR PARA LOS CORTES A TODO LO LARGO · EMPLEE UNA VARITA PARA EMPUJAR CUANDO SEA NECESARIO · SEPA COMO EVITAR LOS CONTRAGOLPES — CONSULTE EL MANUAL · APOYE SIEMPRE LA PIEZA DE TRABAJO EN LA MESA Y CONTRA LA GUIA O LA ESCALA ANGULAR · NUNCA UTILICE LA GUIA Y LA ESCALA ANGULAR AL MISMO TIEMPO · NUNCA SE COLOQUE POR ENCIMA O POR DEBAJO DEL DISCO DE LA SIERRA · ASEGURESE DE MONTAR EL DISCO CORRECTAMENTE ANTES DE OPERAR LA SIERRA · NUNCA quite piezas que se hayan atorado o las piezas que se desprenden hasta haber apagado la sierra y que el disco se haya detenido · NO SE EXPONGA A LA LLUVIA NI SE UTILICE EN LUGARES INUNDADOS · ASEGURE FIRMEMENTE LA HERRAMIENTA PARA EVITAR MOVIMIENTOS INESPERADOS · NO OPERE ESTA MAQUINA BAJO LA INFLUENCIA DE ALCOHOL O DROGAS · NO SEGUIR ESTAS ADVERTENCIAS PUEDE OCASIONAR SEVERAS LESIONES PERSONALES GRAVES.



DEWALT...PARA TRABAJOS PESADOS

Las herramientas industriales DeWALT de alto rendimiento se han fabricado para las más duras condiciones industriales y de construcción. El diseño de cada una de las herramientas de esta línea desde taladros hasta lijadoras y esmeriladoras es resultado de su empleo bajo rigurosas condiciones en centros de trabajo e instalaciones industriales. Cada instrumento se ha fabricado con precisión extrema bajo sistemas avanzados de manufactura y rígido control de calidad. Cada herramienta se verifica concienzudamente antes de dejar la fábrica, para asegurarse de que satisface sus estándares de durabilidad, confiabilidad y potencia.

Doble Aislamiento

Las herramientas DOBLEMENTE aisladas se han elaborado de manera integral con dos capas separadas de aislamiento eléctrico o una capa doble de aislamiento entre usted y el sistema eléctrico que contienen.

Las herramientas construidas con este sistema de aislamiento no requieren conectarse a tierra. Como resultado su herramienta está equipada con una clavija de dos patas que le permite emplear cordones de extensión sin preocuparse por tener una conexión a tierra.

NOTA: El doble aislamiento no substituye a las precauciones normales de seguridad cuando se opera esta herramienta. La finalidad de este sistema de aislamiento es ofrecer a usted protección añadida contra lesiones resultantes de fallas en el aislamiento eléctrico interno de la herramienta.

▲ PRECAUCIÓN: UTILICE SOLAMENTE REFACCIONES ORIGINALES cuando haga servicio a cualquier herramienta. Repare o reemplace los cordones eléctricos dañados.

Clavijas polarizadas

Se emplean clavijas polarizadas (con una pata más ancha que la otra) para reducir los riesgos de choque eléctrico. Cuando el cordón eléctrico cuente con este tipo de clavija, ajustará en un contacto polarizado solamente de una manera. Si la clavija no ajusta completamente en su contacto, inviértala. Si aún así no ajusta, llame a un electricista calificado para que le instale un contacto polarizado apropiado. No modifique o haga cambios en la clavija por ningún motivo.

Instrucciones importantes de seguridad

- **CONSERVE LAS GUARDAS EN SU SITIO** y listas para trabajar.
- **CONSERVE LIMPIA EL AREA DE TRABAJO.** Las áreas y bancos con objetos acumulados en desorden propician los accidentes.
- **NO SE EMPLEE EN AMBIENTES PELIGROSOS.** No utilice herramientas eléctricas en lugares inundados o mojados, ni las exponga a la lluvia. Conserve bien iluminada el área de trabajo.
- **CONSERVE APARTADOS A LOS NIÑOS.** Todos los visitantes deben permanecer a distancia segura de la zona de trabajo.
- **HAGA SU TALLER A PRUEBA DE NIÑOS** con candados, interruptores maestros y retirando las llaves de encendido.
- **NO FUERCE LA HERRAMIENTA.** Esta cumplirá mejor con su trabajo y de manera más segura bajo las especificaciones para las que se diseñó.
- **EMPLEE LA HERRAMIENTA ADECUADA.** No fuerce una herramienta o sus dispositivos en una tarea para los que no han sido diseñados.
- **UTILICE UN CABLE DE EXTENSION ADECUADO.** Asegúrese que su extensión esté en buenas condiciones. Cuando utilice una extensión, asegúrese de emplear una que soporte la corriente que su herramienta necesita. Una extensión con calibre insuficiente provocará una caída en el voltaje de la línea, ocasionando pérdida de potencia y sobrecalentamiento. El cuadro siguiente muestra el calibre correcto a utilizarse de acuerdo con la longitud y el amperaje indicado en la placa de identificación. Si tiene dudas, utilice el calibre siguiente. Mientras más pequeño sea el número del calibre, mayor será su capacidad.

Calibre mínimo para cordones de extensión

Volts		Longitud total del cordón en metros				
120V		0-7,6	7,6-15,2	15,2-30,4	30,4-45,7	
240V		0-15,2	15,2-30,4	30,4-60,9	60,9-91,4	
AMPERAJE		Calibre del cordón AWG				
Más de	No más de					
0	- 6	18	16	16	14	
6	- 10	18	16	14	12	
10	- 12	16	16	14	12	
12	- 16-	14	12	No recomendado		

- **CORDONES DE EXTENSION PARA INTEMPERIE.** Cuando utilice la herramienta a la intemperie, solamente utilice extensiones diseñadas para ello y así marcadas.
- **VISTA LAS PRENDAS ADECUADAS.** No utilice prendas de vestir flojas, guantes, corbatas, anillos, brazaletes ni otras piezas de joyería que pudiesen quedar atrapadas en las partes móviles. Se recomienda el empleo de calzado antiderrapante. Cúbrase el cabello si lo tiene largo. Las rejillas de ventilación cubren partes móviles y también deben evitarse.
- **SIEMPRE UTILICE GAFAS DE SEGURIDAD.** También utilice una máscara contra polvo si la operación a efectuar lo produce. Los anteojos de uso diario solamente tienen lentes resistentes al impacto, NO SON anteojos de seguridad.
- **NO SE SOBREEXTIENDA.** Conserve siempre bien apoyados los pies, lo mismo que el equilibrio.
- **CUIDE SUS HERRAMIENTAS.** Conserve sus herramientas afiladas y limpias para que funcionen mejor y de manera más segura. Siga las instrucciones de cambio de accesorios.
- **DESCONECTE LA HERRAMIENTAS** antes de efectuarles servicio y cuando les cambie accesorios, como cuchillas, brocas y similares.
- **REDUZCA EL RIESGO DE ENCENDIDO ACCIDENTAL.** Asegúrese que el interruptor esté en posición de apagado antes de conectar la herramienta.
- **UTILICE LOS ACCESORIOS RECOMENDADOS.** Busque en el manual de instrucciones los accesorios recomendados. El uso de accesorios inadecuados puede causar riesgos de lesiones.
- **NUNCA SE PARE EN LA HERRAMIENTA.** Puede provocarse lesiones graves si la herramienta se vuelca o si hace contacto accidental con la herramienta de corte.
- **REVISE LAS PARTES DAÑADAS.** Antes de seguir utilizando la herramienta, debe revisar cuidadosamente una guarda o cualquier otra pieza que esté dañada para determinar si cumplirá adecuadamente con su función; revise la alineación de las piezas móviles, sus montajes, ruptura de partes y cualesquiera otras condiciones que pudiesen afectar su operación. Repare o reemplace las piezas dañadas.
- **NUNCA DEJE LA HERRAMIENTA EN FUNCIONAMIENTO Y DESATENDIDA. APAGUELA.** No deje la herramienta hasta que se haya detenido por completo.

Reglas adicionales de seguridad para sierras de banco

▲ ADVERTENCIA: Por su propia seguridad, no opere su sierra hasta que este completamente ensamblada e instalada conforme a las instrucciones y hasta que haya leído y entendido lo siguiente:

- Todas las reglas de seguridad
- Procedimientos de ajuste
- Procedimientos de ensamblaje
- Operaciones básicas
- Controles de operación
- **CONSERVE LAS GUARDAS** en su sitio y en funcionamiento.
- **ESTABILIDAD.** Asegúrese que la sierra esté firmemente montada antes de usarla.
- **MINIMICE EL POTENCIAL DE ACCIDENTES.** La mayor parte de los accidentes son causados por no seguir las instrucciones iniciales y de operación.
- **EVITE** colocar sus manos en posiciones incómodas, en las que un resbalón repentino pueda causar que la mano se mueva hacia el disco u otra herramienta de corte. Nunca coloque las manos por detrás o alrededor de la herramienta de corte con el fin de sujetar la pieza de trabajo. **NO COLOQUE LOS DEDOS O LAS MANOS EN EL CAMINO DEL DISCO.**
- **NUNCA** se coloque por debajo de su máquina durante la operación ni haga ajustes cuando esté en funcionamiento.
- **APAGUE** la sierra y desconecte el cordón eléctrico cuando quite el inserto de la mesa, cambie el disco, quite o reemplace la guarda del disco o haga cualquier ajuste.

- **CONSERVE** siempre el control de la pieza de trabajo. NO suelte la pieza hasta que haya quedado fuera del alcance de la herramienta de corte.
- **CUANDO RETIRE** piezas cortas, o limpie la mesa, asegúrese que la sierra esté APAGADA y el disco ha dejado de girar.
- **NUNCA ENCIENDA** la sierra antes de eliminar cualquier pieza de la mesa, con excepción de la pieza de trabajo y los implementos necesarios para apoyarla o alimentarla para la operación planeada.
- **DESCONECTE** la sierra cuando vaya a cambiarla de lugar.
- **TENGA** extrema precaución cuando quite la guarda para hacer una operación diferente como acanalar, recortar, etc. Coloque la guarda de nuevo tan pronto como termine la operación.
- **NUNCA** sujete ni toque el “extremo libre” de la pieza de trabajo ni la “pieza libre” mientras el motor esté ENCENDIDO y/o el disco este girando.
- **SI ATORA O ATASCA** el disco se en la pieza de trabajo, APAGUE la sierra, retire la pieza de trabajo del disco y verifique que éste quede paralelo a las ranuras o canales de la mesa y que el separador esté correctamente alineado con el disco. Si está cortando tiras, verifique que la guía esté paralela al disco. Reajuste como se indica.

▲ **ADVERTENCIA:** No permita que la familiaridad (ganada con el uso frecuente de su sierra) reemplace las siguientes reglas de seguridad. Recuerde siempre que un descuido en una fracción de segundo es suficiente para provocar una lesión grave.

- **ASEGURESE** que sus dedos no hagan contacto con las terminales del cordón eléctrico cuando conecte o desconecte la clavija de la toma de corriente.
- **CONTRAGOLPES** - Los contragolpes pueden ocasionar lesiones graves. El contragolpe ocurre cuando una parte de la pieza de trabajo se atora entre el disco y la guía, o el disco mismo u otro objeto fijo se levanta de la superficie de trabajo y es arrojado hacia el operador. Los contragolpes se pueden evitar atendiendo a las siguientes condiciones:

CONTRAGOLPES - COMO EVITARLOS Y COMO PROTEGERSE DE POSIBLES LESIONES.

- Asegúrese que el disco esté paralelo a la guía.
- No corte tiras aplicando fuerza a la sección de la pieza de trabajo que se desprenderá. La fuerza de alimentación debe ser aplicada siempre entre el disco y la guía. Utilice una vara para piezas cortas, de 152 mm (6”) o menores. Para menos de 51 mm (2”), deberá utilizar un dispositivo especial.
- Conserve la guarda del disco y los separadores anti contragolpes en su lugar y funcionando apropiadamente. El separador debe estar alineado con el disco y los trinquetes deberán detener el contragolpe una vez que se haya iniciado. Verifique el funcionamiento antes de cortar en tiras.

d) Se pueden cortar plásticos y aglomerados en su sierra. Sin embargo, ya que estos materiales son duros y resbalosos, los trinquetes anti contragolpes pueden no funcionar. Por consiguiente, ponga especial atención a los siguientes procedimientos iniciales y de corte en tiras.

e) Utilice la guarda del disco y el separador en todas las operaciones que puedan ser empleados, incluyendo cortes a todo lo largo.

- **NO** deje un tablero grande (u otra pieza de trabajo) sin apoyo, de manera que el muelle del tablero provoque que se levante de la mesa. Proporcione apoyo para la pieza de trabajo, basado en su tamaño y el tipo de trabajo que vaya a efectuar. Apoye la pieza con firmeza contra la guía y hacia abajo contra la superficie de la mesa.
- **NUNCA** utilice un objeto para detener el viaje de la pieza cuando corte de través. Nunca toque el extremo libre de la pieza cuando corte de través ni tome la pieza que se separa cuando corte tiras mientras la unidad esté ENCENDIDA o el disco esté girando. No confine la pieza libre cuando haga cortes a todo o largo — permita que se mueva lateralmente.
- **SI SU SIERRA** hace ruidos extraños o vibra excesivamente, dese la operación hasta que la fuente del problema haya sido localizada y el problema corregido.
- **NO** se pare en línea con el disco. Colóquese a un lado siempre que sea posible.
- **UTILICE** una vara para empujar cuando se requiera. (Observe la página 13).
- **PRESTE** atención particular a las instrucciones para reducir el riesgo de contragolpes.
- **NO** realice ninguna operación a manos libres.
- **NUNCA** coloque las manos alrededor del disco o sobre éste.
- **EMPLEE LOS ACCESORIOS RECOMENDADOS.** El uso de accesorios inadecuados puede ocasionar riesgos de lesiones personales.

▲ **ADVERTENCIA:** Parte del polvo creado al lijar, aseruchar, moler o perforar con máquina, así como al realizar otras actividades de la construcción, contiene sustancias químicas que se sabe producen cáncer, defectos congénitos u otras afecciones reproductivas. Algunos ejemplos de esas sustancias químicas son:

- plomo de pinturas a base de plomo,
- sílice cristalizado de ladrillos y cemento y otros productos de albañilería, y
- arsénico y cromo de la madera químicamente tratada (CCA).

El riesgo al contacto con estas sustancias varía, según la frecuencia en que se haga este tipo de trabajo. Para reducir la exposición a esas sustancias químicas: trabaje en un área bien ventilada, y trabaje con equipos de seguridad aprobados, tales como máscaras contra el polvo especialmente diseñadas para filtrar las partículas microscópicas.

FIG. 1

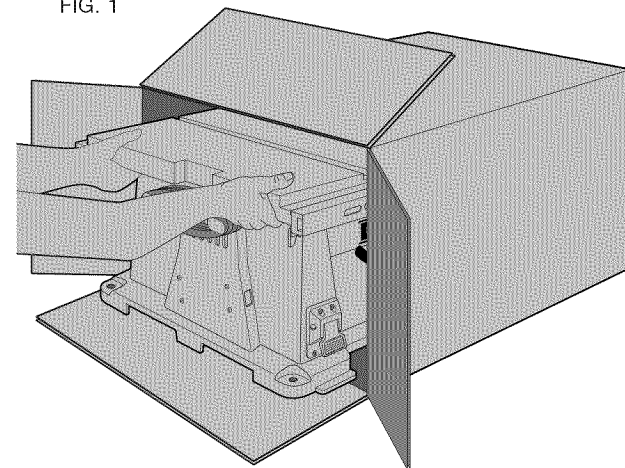


FIG. 2

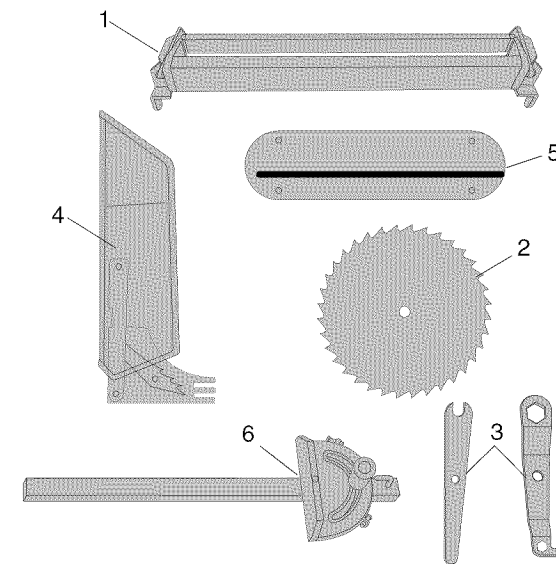


FIG. 3

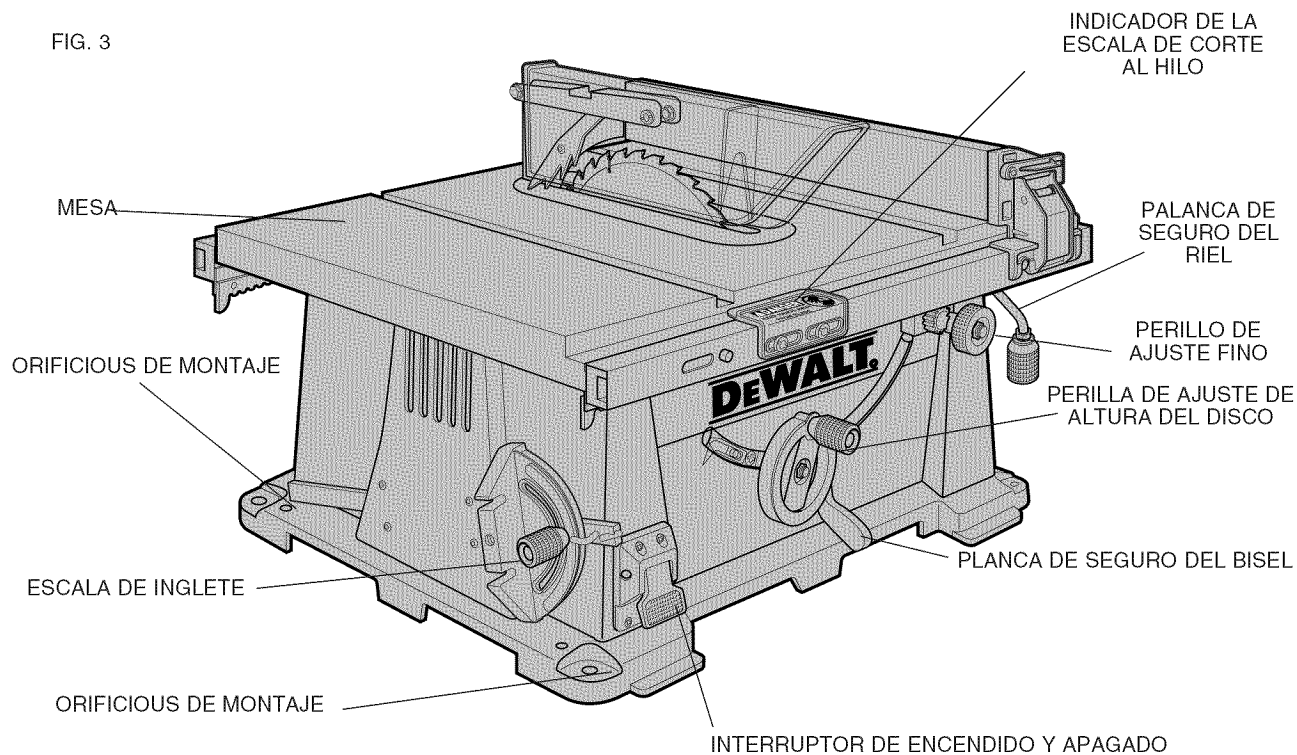
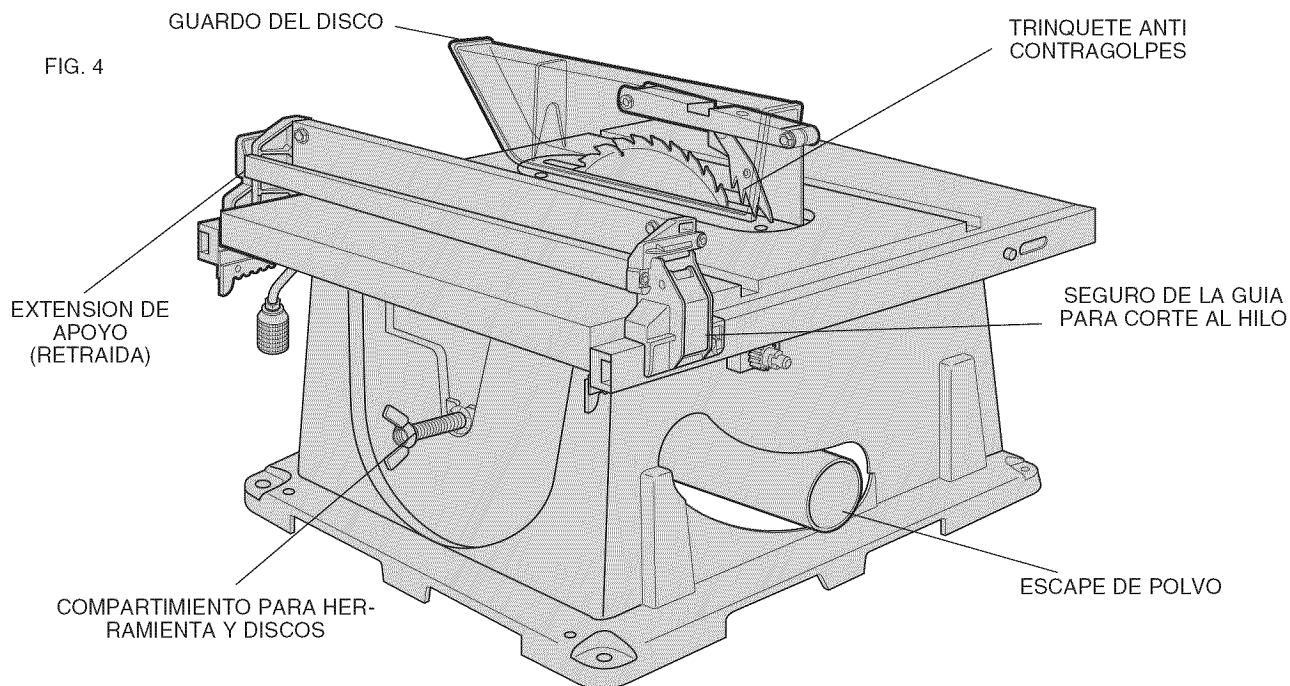


FIG. 4



- Evite el contacto prolongado con polvos originados por lijar, aserrar, esmerilar, taladrar y otras actividades constructivas. Vista ropas protectoras y lave las áreas expuestas con agua y jabón. Permitir que el polvo se introduzca en su boca, ojos, o dejarlo sobre la piel promueve la absorción de químicos dañinos.

▲ **ADVERTENCIA:** La utilización de esta herramienta puede originar polvo o dispersarlo, lo que podría causar daños graves y permanentes al sistema respiratorio, así como otras lesiones. Siempre use protección respiratoria aprobada por NIOSH/OSHA, apropiada para su uso en condiciones de exposición al polvo. Procure que las partículas no se proyecten directamente sobre su rostro o su cuerpo.

▲ **PRECAUCION:** utilice la protección auditiva apropiada durante el uso. Bajo ciertas condiciones de duración de uso, el ruido producido por este producto puede contribuir a la pérdida auditiva.

CONSERVE ESTAS INSTRUCCIONES PARA REFERENCIAS FUTURAS

Especificaciones

Caballos de fuerza	2-1/2
Tamaño de la mesa	488 mm x 673 mm
Angulo de inglete	30° I y D
Angulo de bisel	0° a 45° I
Tamaño del disco	254 mm (10")
Profundidad máx. de corte Bisel 0°	79 mm (3-1/8")
Profundidad máx. de corte Bisel 45°	57 mm (2-1/4")
RPM sin carga	3650

Desempacado

Abra la caja y deslice la sierra hacia fuera, como se observa en la figura 1.

Desempaque cuidadosamente la sierra de banco y todas las piezas sueltas de la caja. Examine todas las piezas para asegurarse que no se hayan dañado durante el embarque. Si falta o se ha dañado cualquier parte, comuníquese con su distribuidor para reemplazarlas antes de intentar ensamblar la herramienta.

La figura 2 ilustra las piezas sueltas y la herramienta empacada con la sierra.

1. Guía para corte al hilo
2. Disco (en la base de la sierra)
3. Llave para el eje y llave para la flecha (en la base de la sierra)
4. Guarda del disco
5. Placa
6. Escala angular

Examine las figuras 3 y 4 para familiarizarse con la sierra y sus partes. Las siguientes secciones de ensamblaje y ajustes se referirán a esos términos y usted deberá saber qué piezas son y en dónde están.

Ensamblaje

DEBE ENSAMBLAR SU SIERRA EN EL SIGUIENTE ORDEN:

1. Disco
2. Guía para corte al hilo (**NOTA:** ajuste la escala de la guía para corte al hilo antes de proceder. Consulte la sección "Ajuste de la escala de corte al hilo" más adelante.)
3. Guarda del disco
4. Placa

Las herramientas necesarias para ensamblar incluyen un destornillador y las llaves que se vienen con su sierra.

ENSAMBLAJE DE LA GUÍA PARA CORTE AL HILO

La guía para corte al hilo puede instalarse a la izquierda o a la derecha de su sierra de banco.

1. Coloque el perno y la abertura en los rieles de la guía, como se ilustra en la figura 5. Haga coincidir el perno con la ranura y el seguro con la abertura.
2. Asegure la guía con los seguros en los rieles como se muestra en la figura 6. Asegúrese de activar ambos seguros en su lugar.

INSTALACION Y REEMPLAZO DEL DISCO

1. Levante el eje del disco a su altura máxima girando la manivela de ajuste de altura en el sentido de las manecillas del reloj.
2. Quite la tuerca y la arandela del eje girando en sentido opuesto a las manecillas del reloj.
3. Coloque el disco de la sierra en la flecha asegurando que los dientes que se encuentran abajo apunten hacia el frente de la mesa. Ensamble las roldanas y la tuerca del eje a la flecha y apriete la tuerca del eje a mano tanto como le sea posible, asegurándose que el disco quede contra la roldana interior, con el diámetro mayor de ésta última en contacto con el disco. Asegúrese que el lado de la roldana exterior marcado con la leyenda "Blade Side" quede contra el disco (observe la figura 7. Asegúrese que la flecha y las roldanas estén libres de polvo y desechos.
4. Para evitar que la flecha gire al apretar la tuerca del eje, utilice la llave de extremo abierto para asegurar la flecha (figura 8).
5. Apriete la tuerca del eje girando la llave del eje en el sentido de las manecillas del reloj (figura 8).
6. **NOTA:** Los diferentes tipos de discos hacen diferentes anchos de corte, por consiguiente, es necesario verificar el ajuste del indicador de la guía y el separador de la guarda al cambiar de disco.

AJUSTE DE LA ESCALA DE CORTE AL HILO

1. Desasegure de la palanca del riel (observe la figura 9).
2. Ajuste el disco a bisel de 0° y mueva la guía hasta que haga contacto con el disco.
3. Asegure la palanca del riel.
4. Afloje los tornillos del indicador de la escala de corte al hilo (figura 16) y ajústelo para que ofrezca lectura de

cero (0). Apriete de nuevo los tornillos del indicador de la escala. La escala de corte al hilo solamente ofrece lecturas correctas cuando está montada del lado derecho del disco.

CÓMO INSTALAR LA PROTECCIÓN DE LA HOJA

1. Levante el portahoja a su altura máxima girando la rueda de ajuste de altura de la hoja en dirección de las agujas del reloj.
2. Afloje, pero no quite los dos pernos indicados en la Figura 10.
3. Inserte el protector del disco de corte tal como se muestra en la Figura 11, asegurándose de que los tornillos casen en las ranuras del protector del disco. El extremo inferior del separador, con las ranuras, debe ser insertado entre las platinas. Apriete los pernos. Asegúrese de que el separador se encuentre centrado y paralelo al disco, alineando para ello las partes por medio de un elemento recto. Si el disco y el separador no se encuentran alineados, afloje de nuevo los pernos sin retirarlos. Retire el protector e instálelo nuevamente después de ajustar las platinas. Estas platinas permiten la alineación precisa del disco y el separador. Apriete firmemente los pernos. Asegúrese de dejar un espacio entre el separador y el disco, y que éste gire libremente. Si el separador se encuentra inclinado con relación al disco, el plato del separador puede ajustarse hasta lograr su correcta alineación.

IMPORTANTE: SIEMPRE DEBE ESTAR COLOCADA LA PROTECCIÓN DE LA HOJA PARA TODOS LOS CORTES POSIBLES.

4. Vuelva a apretar los pernos firmemente.

Cuando el separador está correctamente alineado, debe quedar en línea con el disco, a nivel de la mesa tanto como en la parte superior del disco. Verifique utilizando una regla. Con la corriente desconectada, opere los ajustes de altura e inclinación del disco a través de los extremos de la carera y asegúrese que la guarda libre el disco en todas las operaciones y que el trinquete anti contragolpes funcione.

INSTALACION DE LA PLACA DE RESPALDO

1. Coloque la placa de respaldo como se muestra en la figura 12, e inserte las lengüetas en la parte posterior de la placa dentro de los orificios de la parte trasera de la mesa.
2. Presione el frente de la placa para acomodarla en su sitio.
3. La placa incluye cuatro tornillos de ajuste que ayudan a subirla o bajarla. Cuando está correctamente ajustada, el frente de la placa debe quedar al ras o ligeramente por debajo de la superficie de la mesa y asegurada en su posición. La parte trasera de la placa debe estar al ras o ligeramente por encima de la superficie de la mesa.

⚠ PRECAUCION: La placa de respaldo debe estar en su posición siempre.

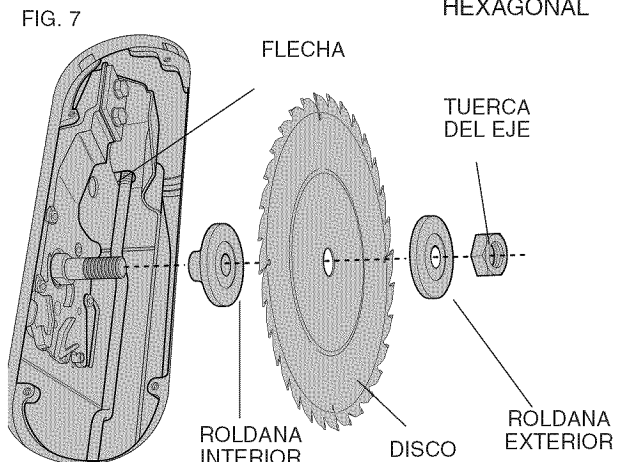
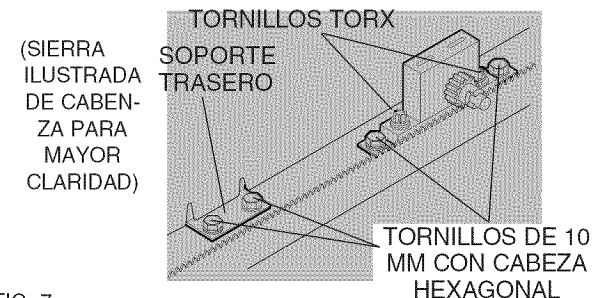
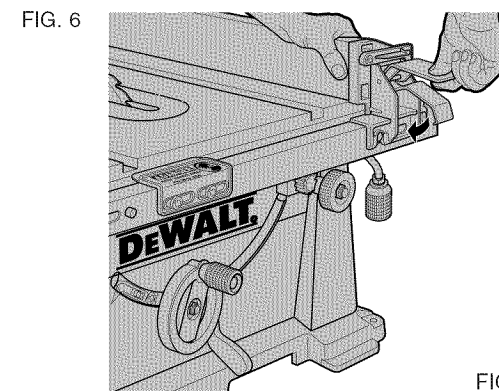
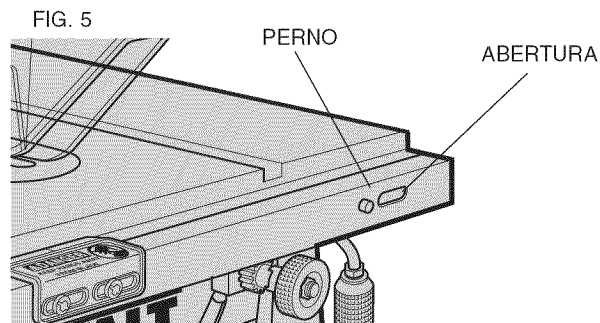
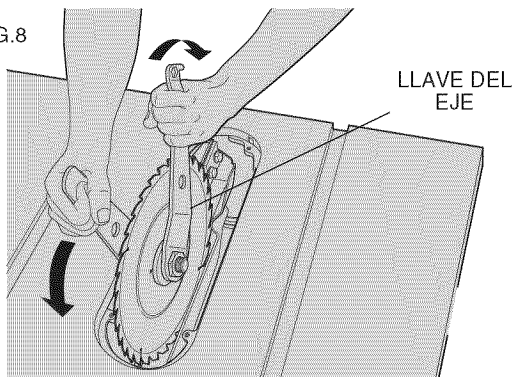


FIG. 8



LLAVE DEL EJE

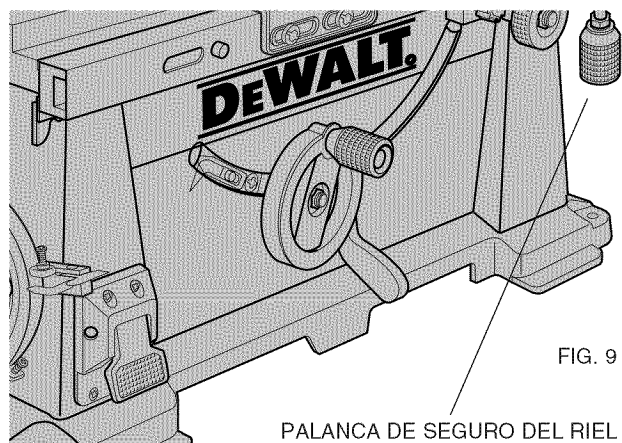
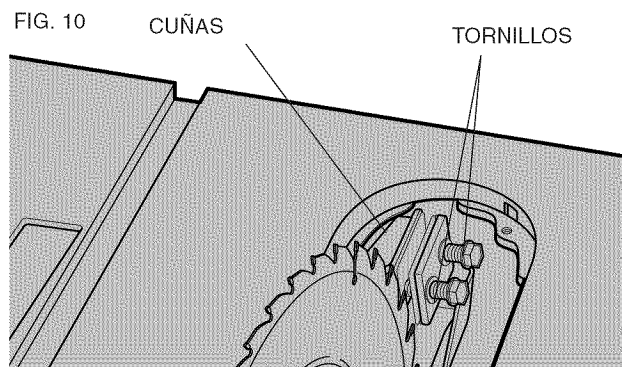


FIG. 9

PALANCA DE SEGURO DEL RIEL

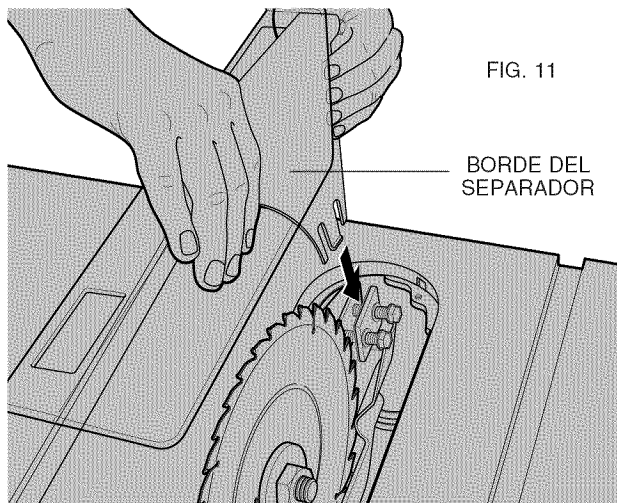
FIG. 10



CUÑAS

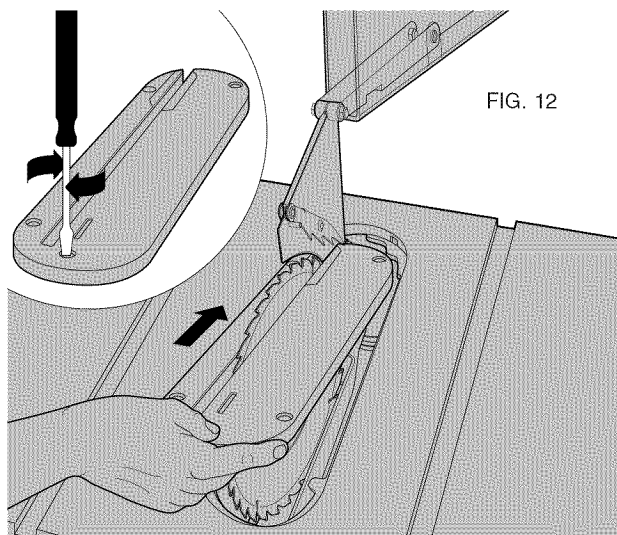
TORNILLOS

FIG. 11



BORDE DEL SEPARADOR

FIG. 12



Montaje en banco

APAGUE Y DESCONECTE LA SIERRA DE BANCO

La sierra de banco debe montarse firmemente. La superficie de montaje deberá tener una abertura de 381 mm x 508 mm (15" x 20") para permitir que escape el polvo.

La base está provista con cuatro perforaciones para este propósito. Le recomendamos ampliamente que utilice estas perforaciones para anclar la sierra a su banco de trabajo u otra estructura estacionario. Como alternativa, para aumentar la portabilidad de su sierra, puede ser montada sobre una pieza de madera que pueda prensarse a su superficie de trabajo, banco o a su centro de trabajo Workmate®. La base para sierra de banco DeWALT DW7440 está diseñada para utilizarse con esta sierra, y está a su disposición con su distribuidor o centro de servicio local.

⚠ PRECAUCION: No asegurar la sierra de banco a la superficie de trabajo puede ser peligroso.

1. Centre la sierra en una pieza cuadrada de madera contraplacada de 12,7 mm (1/2") de espesor. La pieza de madera debe tener una abertura de 381 mm x 508 mm para dejar escapar el polvo.
2. Marque con un lápiz la posición de las cuatro perforaciones de montaje de la base.
3. Levante la sierra y perfore barrenos de 6,4 mm (1/4") en los lugares que marcó.
4. Coloque la sierra sobre los cuatro orificios que perforó e inserte cuatro tornillos de 6,4 mm (1/4") DESDE LA PARTE INFERIOR y cuatro roldanas y tuercas de 6,4 mm (1/4") en la parte superior. Apriete con firmeza.
5. Con el fin de evitar que las cabezas de los tornillos marquen la superficie sobre la que asentará la sierra, coloque dos tiras de madera de desperdicio debajo de la base de madera contraplacada, como se muestra en la figura 3. Estas tiras de madera pueden pegarse o atornillarse con pijas desde la parte de arriba para evitar que salgan por la parte inferior de las tiras.
6. Prensé la base de madera contraplacada a su banco de trabajo cuando quiera usar la sierra.

⚠ PRECAUCION: Asegúrese que la sierra esta firmemente montada antes de usarla.

Conexión de la sierra a la toma de corriente

IMPORTANTE: Antes de conectar la sierra a la toma de corriente, asegúrese que el interruptor este en la posición de APAGADO.

Asegúrese que su alimentación de corriente concuerda con la marcada en la placa de identificación. AC ONLY significa que su sierra operará únicamente con corriente alterna. Disminuciones en el voltaje de 10 % o mayores causarán pérdida de potencia y sobrecalentamiento. Todas las herramientas DeWalt se prueban en la fábrica. Si esta herramienta no funciona, verifique la alimentación de corriente.

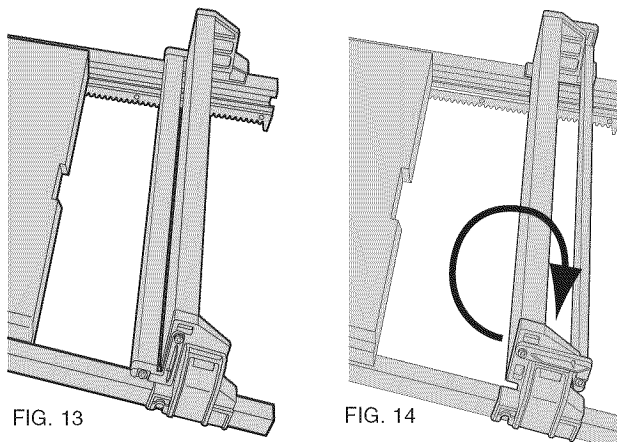


FIG. 13

FIG. 14

Operación de la guía para corte al hilo

PALANCA DE SEGURO DEL RIEL

La palanca de seguro del riel sujeta los rieles de la guía para corte al hilo en su sitio, evitando el movimiento. Para asegurar esta palanca, empujela hacia abajo. Para desasegurarla, tire de la palanca hacia arriba (observe la figura 9).
NOTA: siempre que corte al hilo asegure la palanca del seguro del riel.

EXTENSION PARA SOPORTE DE PIEZAS DE TRABAJO

Su sierra de banco está equipada con una extensión para apoyar las piezas que sobresalgan de la mesa. Para utilizar esta extensión, gírela como se muestra en la figura 13. Cuando se usa, la extensión se retrae, como se ilustra en la figura 14. NOTA: retraiga la extensión siempre que trabaje sobre la mesa.

PERILLA DE AJUSTE FINO

LA PERILLA DE AJUSTE FINO (FIGURA 15) PERMITE HACER PEQUEÑOS AJUSTES A LA GUIA. ANTES DE AJUSTAR, ASEGURESE QUE LA PALANCA DEL SEGURO DEL RIEL ESTÉ HACIA ARRIBA, EN LA POSICION DESASEGURADA.

INDICADOR DE LA ESCALA DE CORTE AL HILO

NOTA: El indicador de la escala de corte al hilo deberá reajustarse siempre que se cambie el disco por uno más grueso o más delgado.

Interruptor de encendido y apagado

Levante la paleta del interruptor para ENCENDER su sierra, y empujela hacia abajo para APAGARLA.

El interruptor cuenta con un orificio para insertar un candado para asegurar la sierra en posición de apagado (figura 17).

▲ ADVERTENCIA: Asegúrese que el interruptor esté en posición de APAGADO antes de conectar la máquina.

Ajustes

NOTA: Su sierra viene perfectamente ajustada de fábrica. Si se requiere un reajuste debido a algún problema causado por el envío, siga los pasos que se mencionan a continuación.

Una vez hechos, estos ajustes deben conservarse. Tome un poco de tiempo para seguir estas instrucciones y observar la precisión de trabajo de la que es capaz su ingleteadora.

AJUSTE DEL SEGURO DEL RIEL

1. Asegure la palanca del riel (figura 9) empujándola hacia abajo.
2. Por la parte de abajo de su sierra, apriete la tuerca que muestra en la figura 18. Ajuste esta tuerca hasta que la separación entre las roldanas Belville se cierre.
3. Una vez que los resortes casi se toquen, afloje la tuerca 1/2 vuelta.

AJUSTE DE LA ALINEACION DEL DISCO CON RESPECTO A LA MESA

1. DESCONECTE LA SIERRA ANTES DE REALIZAR CUALQUIER AJUSTE AL DISCO.
2. Coloque la unidad hacia arriba. Afloje los tornillos de los soportes con un dado de 10 mm, lo suficiente para permitir que se muevan de lado a lado (figura 7A).
3. Ajuste el soporte hasta que el disco quede paralelo a la ranura de inglete.
4. Apriete los tornillos de los soportes traseros a un torque de 7-8 ft.lbs.

AJUSTE DE LA ESCALA DE CORTE AL HILO

Consulte la sección "AJUSTE DE LA ESCALA DE CORTE AL HILO" más atrás.

AJUSTE DEL TOPE Y EL INDICADOR DE BISEL

1. Levante el disco completamente girando la manivela de ajuste de altura en el sentido de las manecillas del reloj hasta que se detenga.
2. Suelte la palanca del seguro de bisel (figura 3) empujándola hacia arriba y hacia la derecha. Afloje el tornillo del tope de bisel (figura 19).
3. Coloque una escuadra en plano contra la superficie de la mesa y contra el disco entre los dientes. Observe la figura 20. Asegúrese que la palanca de seguro de bisel esté libre, o en la posición alta.
4. Ajuste el ángulo de bisel usando la palanca del seguro, hasta que quede plano contra la escuadra.
5. Apriete la palanca del seguro de bisel empujándola hacia abajo.
6. Gire la leva de tope de bisel hasta que haga contacto firme contra el bloque de baleros. Apriete el tornillo de tope de bisel.
7. Verifique la escala de ángulo de bisel. Si el indicador no muestra lectura de 0°, afloje el tornillo del indicador (figura 19) y mueva el indicador de manera que ofrezca la lectura correcta. Apriete el tornillo del indicador.
8. Repita a 45°, pero no ajuste el indicador.

AJUSTE DE LA ESCALA DE INGLETE

La escala angular cuenta con topes preestablecidos a 90° y a 45° hacia la izquierda y hacia la derecha. Para ajustar estos topes, afloje las tuercas de seguridad y apriete o afloje los tres tornillos de ajuste contra la placa tope (observe la figura 21).

AJUSTE DE LA GUIA EN PARALELO

1. Afloje la palanca del seguro del riel.
2. Localice el balero del piñón trasero y afloje los dos tornillos de cabeza hexagonal lo suficiente para permitir el movimiento de lado a lado.
3. Ajuste la guía en paralelo con respecto al disco.
4. Apriete la palanca del seguro del riel y verifique la alineación en paralelo con el disco.
5. Apriete los dos tornillos con cabeza hexagonal que sujetan el montaje del balero trasero a la mesa.

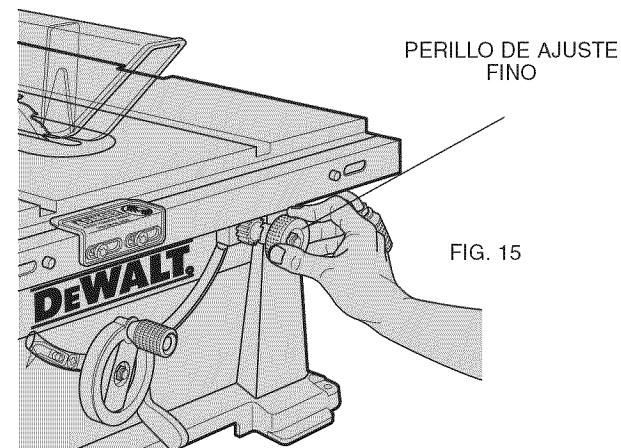


FIG. 15

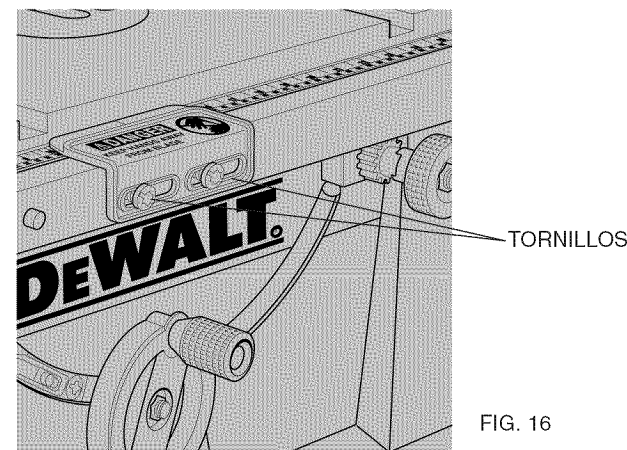


FIG. 16

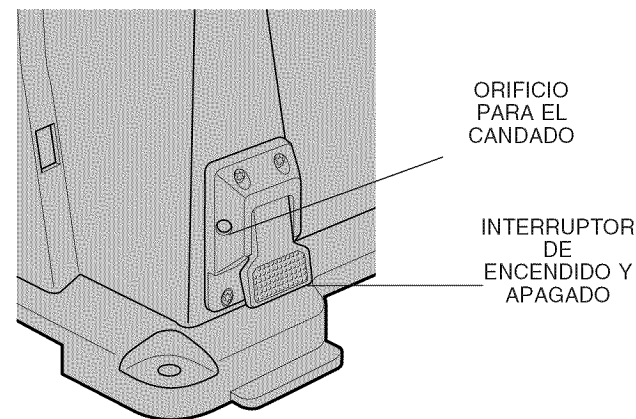


FIG. 17

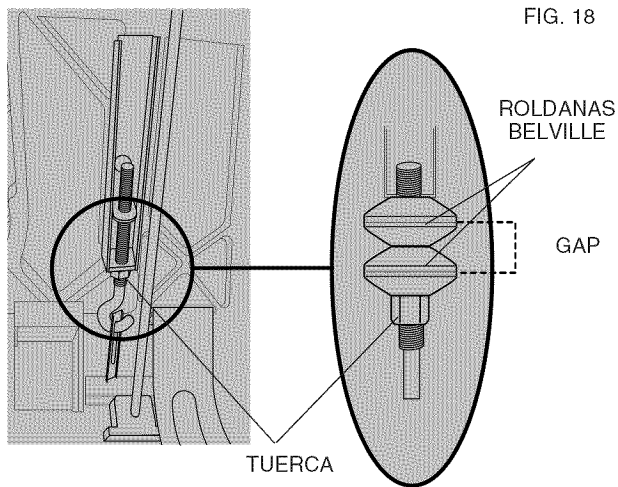


FIG. 18

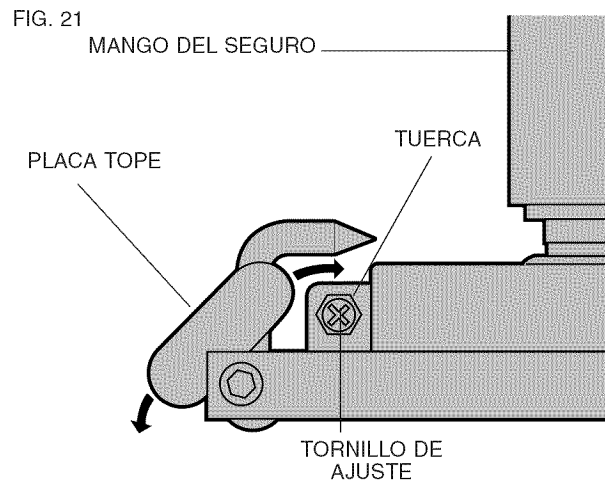


FIG. 21

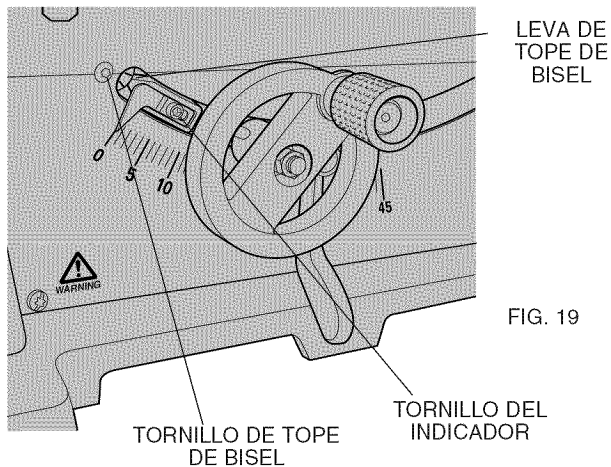


FIG. 19

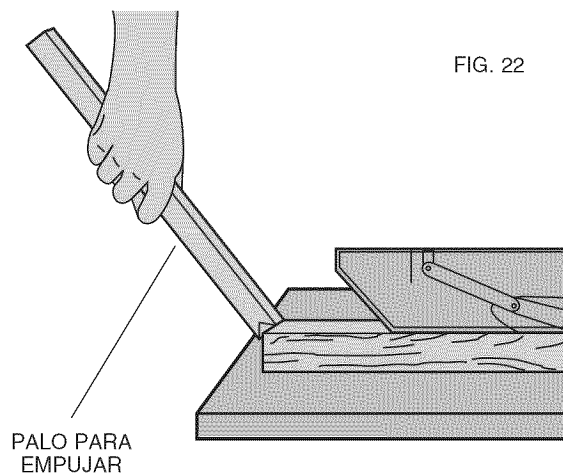


FIG. 22

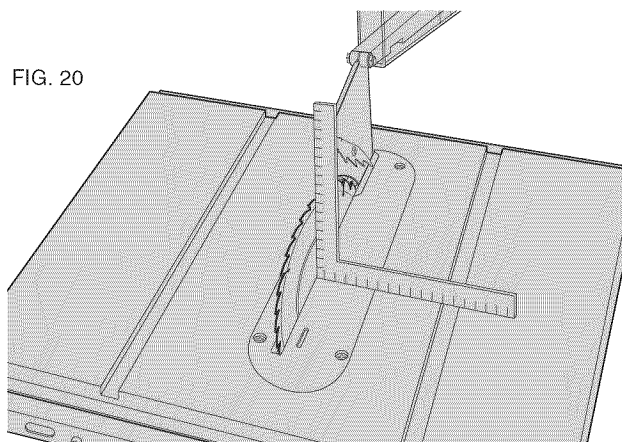


FIG. 20

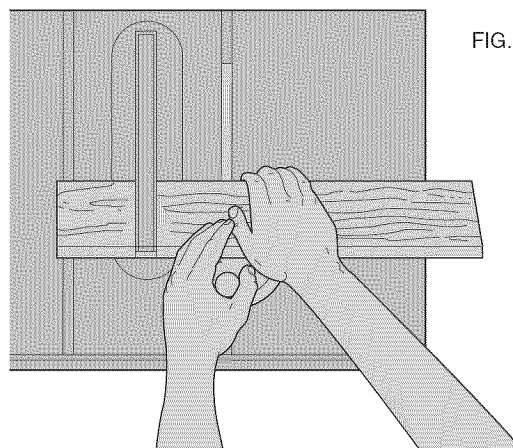


FIG. 23

NOTA: Si no hay suficiente carrera en el montaje del balero del piñón para permitir que la guía quede paralela al disco, lleve la unidad a un centro de servicio autorizado.

AJUSTE DEL ENGRANADO DE PIÑÓN Y CREMALLERA

El ajuste apropiado del engranado de piñón y cremallera se realiza en la fábrica. Si llegase a ser necesario ajustarlo, realice el siguiente procedimiento.

1. Coloque la sierra de cabeza y localice el balero del piñón frontal.
2. Con un destornillador de punta plana angosto o un destornillador Torx #20, accese el tornillo a través de la ranura. Afloje el tornillo (en sentido opuesto a las manecillas del reloj) hasta que la cabeza toque el interior de la caja del engrane.
3. Apriete el tornillo (en el sentido de las manecillas del reloj) 3/4 de vuelta.
4. Repita el procedimiento con el balero del piñón trasero.

Discos de sierra

1. El disco que acompaña a su sierra es un disco de combinación de 254 mm (10"), que se utiliza para corte de través (a través del hilo) y para corte al hilo. El centro, para ajustarse al eje, debe ser de 16 mm (0.625").
2. Existe una gran variedad de discos para las distintas aplicaciones y trabajos específicos tales como corte de través solamente, corte al hilo solamente, de dientes cóncavos, para madera contraplacada delgada, para laminados, etc. Estos discos producen mejores acabados y son más eficientes en su sierra. Usted deseará hacerse de algunos de éstos al tiempo que vaya desarrollando sus habilidades con la sierra.
3. Utilice únicamente discos de sierra cuya velocidad de operación nominal sea de 5000 RPM o mayor.
4. Los discos de sierra deben conservarse afilados. Se recomienda que acuda con un servicio de afilado confiable para afilar sus discos cuando sea necesario.
5. Nunca coloque un disco encima de otro para guardarlos. Coloque algún objeto entre ellos, como un cartón para evitar que las bases hagan contacto una con otra.

▲ PRECAUCION: No deben emplearse discos abrasivos con esta sierra.

Contragolpe

¡El contragolpe es una condición peligrosa! Es causado por la pieza de trabajo al atorarse contra el disco. El resultado es que la pieza de trabajo puede moverse rápidamente en dirección opuesta a la de alimentación. Durante el contragolpe, la pieza de trabajo puede ser arrojada hacia el operador. Puede incluso jalar la mano del operador hacia el disco si ésta se encuentra en posición incorrecta. Si ocurre un contragolpe, APAGUE la sierra y verifique el correcto funcionamiento del separador, el trinquete anti contragolpes y las guardas antes de reiniciar el trabajo.

▲ PRECAUCION:

1. Siempre utilice la guarda y asegúrese que esté en condiciones de trabajo. El separador de la guarda ayuda a evitar atorones y los trinquetes anti contragolpes a cada lado del disco minimizan la posibilidad de contragolpes. Tenga mucho cuidado hasta que la pieza haya pasado por completo a través del separador y de los trinquetes.
2. No corte madera torcida o pandeada. La pieza de trabajo debe tener una cara lisa y plana para apoyarla contra la guía o la escala angular. La pieza de trabajo debe asentarse perfectamente en la mesa sin balancearse.
3. No corte a manos libres. Siempre utilice la guía o la escala angular. Nunca use ambas.
4. Tenga cuidado cuando el montaje de la guarda no pueda usarse (durante corte de canales o molduras).
5. Apoye las piezas grandes. Permitir que se balanceen puede ocasionar contragolpes.

Operación

El aserrado simple incluye el corte al hilo y el corte de través, más otras operaciones fundamentales. Los siguientes métodos proporcionan seguridad. Utilizar la herramienta con el respeto y la precaución debidas así como hacer caso de las instrucciones de seguridad, disminuye notablemente la posibilidad de lesiones personales. Sin embargo, si las instrucciones de seguridad son omitidas o completamente ignoradas, puede haber riesgo de lesiones. Lea y siga todas las advertencias indicadas en la sierra. Observe las reglas de seguridad incluidas en este manual. **ESTA SIERRA NO ESTA HECHA PARA CORTAR PIEZAS METALICAS.**

Instrucciones de operación

Existen dos tipos de corte básicos: al hilo y a través del hilo. Sin embargo, esta distinción es difícil de hacer con materiales fabricados por el hombre; entonces, cortar una pieza de madera a un ancho diferente es cortar al hilo, y cortar a través de la dimensión más corta es cortar de través. ¡Ni el corte al hilo ni el de través deben efectuarse a manos libres! El corte al hilo requiere el empleo de la guía para corte al hilo y el corte de través requiere de la escala angular.

▲ PRECAUCION: Antes de usar la sierra cada vez verifique lo siguiente:

1. El disco está apretado.
2. La perilla de seguridad de ángulo de bisel está apretada.
3. Si se cortará al hilo, que el seguro de riel de la guía está apretado y la guía está paralela al disco.
4. Si se cortará de través, que la escala angular está apretada.
5. La guarda está en su lugar y funciona correctamente.
6. Se llevan puestos anteojos de seguridad.
7. La guarda del disco está bien instalada y los trinquetes anti contragolpes funcionan.

No seguir estas indicaciones de seguridad pueden aumentar el riesgo de lesiones.

Corte al hilo

1. Asegure la guía para corte al hilo empujando la palanca del seguro hacia abajo. Quite la escala angular.
2. Eleve el disco para que quede aproximadamente 3,2 mm (1/8") por arriba de la pieza de trabajo.
3. Sujete la pieza de trabajo plana sobre la mesa y contra la guía. Conserve la pieza a aproximadamente 25,4 mm (1") del disco.

▲ PRECAUCION: La pieza de trabajo deberá tener una cara recta apoyada contra la guía y no deberá estar pandeada o torcida. Conserve ambas manos alejadas del disco y de su camino.

4. Encienda la sierra y permita que el disco alcance la máxima velocidad. Se pueden emplear ambas manos para iniciar el corte. Cuando resten aproximadamente 305 mm (12") por cortar... utilice únicamente una mano, con el pulgar empujando el material, su índice y el dedo medio sujetando la pieza hacia abajo y sus otros dedos colocados contra la guía. Conserve siempre el pulgar al lado de los primeros dos dedos y cerca de la guía.
5. Conserve la pieza de trabajo contra la mesa y la guía, y alimente lentamente todo el camino. Continúe alimentando la pieza hasta que haya pasado la guarda y caiga por detrás de la mesa. No sobrecargue el motor.
6. Nunca intente tirar de la pieza de trabajo por atrás mientras el disco continúe girando. Apague el interruptor, permita que el disco se detenga, levante los trinquetes anti contragolpes a cada lado del disco si es necesario para deslizar la pieza hacia fuera.
7. Cuando corte una pieza grande o un tablero, apóyelo siempre. Un caballete, un montaje para salida o un apoyo para piezas salientes le brindan el apoyo necesario para este propósito. El apoyo para la pieza deberá tener la misma altura que la mesa de la sierra.

▲ PRECAUCION: Nunca empuje ni sujete la parte que se separa de la pieza de trabajo.

Corte de tiras a bisel

Esta operación es la misma que el corte al hilo con la excepción de que el ángulo de bisel es diferente a cero grados.

▲ ADVERTENCIA: Antes de conectar la sierra a la toma de corriente o de operarla, revise siempre que la guarda y el separador estén correctamente alineados y que exista luz suficiente. Verifique la alineación después de cada cambio de ángulo de biselado.

Corte de tiras pequeñas

Es inseguro cortar tiras pequeñas. No es seguro colocar sus manos cerca del disco. En lugar de esto, corte una tira larga para obtener la pieza deseada. Cuando se desea cortar un ancho pequeño y no se puede colocar la mano entre el disco y la guía, utilice una o varias varitas para empujar. Se incluye un patrón en este manual para hacer estas varitas.

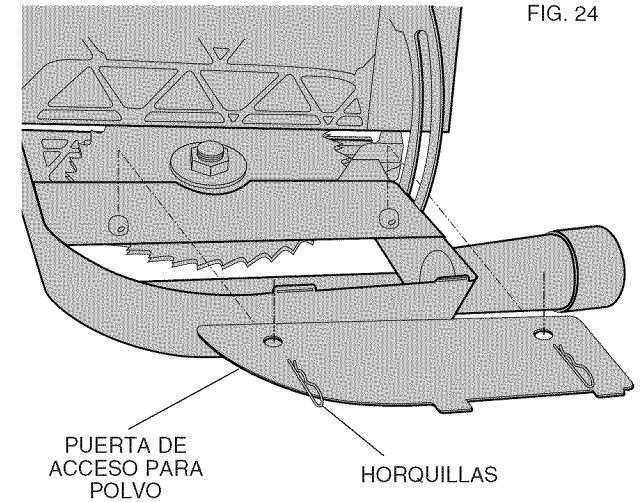


FIG. 24

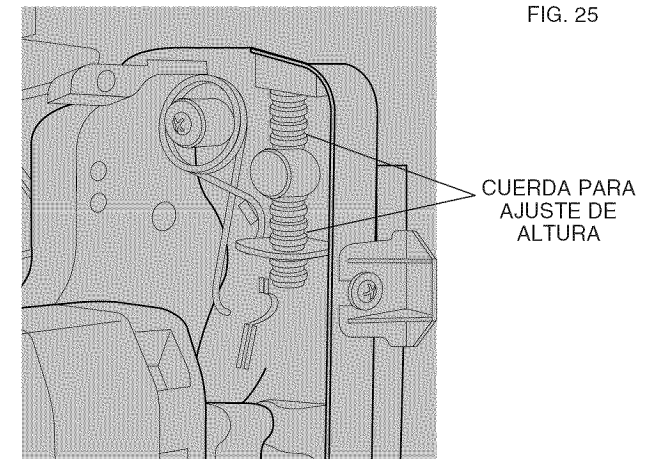


FIG. 25

Utilícelas para sujetar la pieza de trabajo contra la mesa y la guía y empuje la pieza de trabajo completamente hasta que pase el disco. Observe la figura 22.

Corte de través

1. Quite la guía para corte al hilo y coloque la escala angular en la ranura correspondiente.
2. Ajuste la altura del disco para que sobresalga aproximadamente 3,2 mm (1/8") de la parte superior de la pieza de trabajo.
3. Sujete firmemente la pieza de trabajo contra la escala angular con esta última en el camino del disco en línea con el lugar que se desea cortar. Conserve la pieza de trabajo aproximadamente a 25 mm del disco. **CONSERVE AMBAS MANOS ALEJADAS DEL DISCO Y DE SU ZONA DE CORTE.**
4. Arranque el motor de la sierra y permita que el disco alcance la máxima velocidad.

- Use ambas manos para sujetar la pieza contra la cara de la escala angular, y en plano contra la mesa, empuje lentamente la pieza a través del disco. Observe la figura 23.
- Nunca intente tirar de la pieza de trabajo cuando el disco esté girando. Apague el interruptor, permita que el disco se detenga y deslice la pieza hacia fuera cuidadosamente.

▲ **PRECAUCION:** Nunca toque o sujete la parte que se desprende de la pieza de trabajo.

Corte de través a bisel

Esta operación es la misma que el corte de través con la excepción de que el ángulo de bisel es diferente a cero grados.

▲ **ADVERTENCIA:** Antes de conectar la sierra a la toma de corriente o de operarla, revise siempre que la guarda y el separador estén correctamente alineados y que exista luz suficiente. Verifique la alineación después de cada cambio de ángulo de biselado.

Corte angular

Esta operación es la misma que el corte de través con la excepción que el ángulo en la escala angular es diferente a 0°. Sujete la pieza CON FIRMEZA contra la escala angular y aliméntela lentamente en el disco para evitar que se mueva. Observe la figura 23.

OPERACION DE LA ESCALA DE INGLETE

Para ajustar la escala de inglete, afloje el mano del seguro y mueva la escala hasta el ángulo deseado. La escala angular tiene topes preestablecidos a 90° y a 45° hacia la izquierda y hacia la derecha. Para girar la escala angular más allá de estas graduaciones, levante la placa tope, como se observa en la figura 21.

Corte angular compuesto

Esta es una combinación de corte de través a bisel y corte angular. Se utiliza con poca frecuencia. Siga las instrucciones par el corte de través a bisel y el corte angular.

Corte de canales

▲ **PRECAUCION:** No intente apilar discos para corte de canales a más de 20 mm (13/16") de espesor. No utilice discos para cortar canales más grandes de 200 mm (8") de diámetro. Cuando instale la pila de discos para corte de canales, no incluya la roldana de fijación interior. Reemplácela con la roldana de fijación exterior, a continuación instale la pila de discos, la tuerca del eje, y apriete con la llave que se le suministró.

Ya que los cortes de canales no traspasan la pieza, deben realizarse sin la guarda. Para quitar la guarda afloje los dos tornillos ilustrados en la figura 10 y quite el montaje de la guarda.

Cuando utilice el disco para canales, debe emplear el inserto especial para canales (también se vende como accesorio).

Siempre que se requiera hacer un corte considerablemente más ancho que el que se logra con un disco normal,

se emplea un disco para canales. Un corte de canal se utiliza siempre que se desea añadir soporte. Cuando se utilice este tipo de disco, debe removerse la guarda. Tenga EXTREMA precaución cuando utilice este disco sin la guarda. Si se requiere un corte profundo haga varias pasadas sucesivas en vez de intentar hacerlo de una sola vez. El ancho máximo para este tipo de discos es de 20 mm (13/16"). NO EMPLEE COMBINACIONES MÁS ANCHAS.

▲ **PRECAUCION:** Siempre revise la luz del disco antes de conectar la sierra.

Asegúrese de regresar la guarda y la placa de respaldo estándar a su posición y revisar los ajustes cuando termine de hacer cortes de canal.

Recolección de polvo

Su sierra de banco está equipada con una cubierta para polvo y un puerto para recolección del mismo. Para obtener mejores resultados, conecte una aspiradora al puerto que se encuentra en la parte trasera de la sierra.

Si la sierra se opera sin una aspiradora, la mayor parte del polvo saldrá por el puerto de recolección. Sin embargo, parte de este polvo caerá dentro de la base. Si se utiliza la sierra sobre una mesa u otra superficie sin abertura, limpie la base y el serrín acumulado después de cada corte.

Después de uso prolongado, el sistema de recolección de polvo de la sierra puede bloquearse. Para limpiar el sistema de recolección de polvo:

- Desconecte la sierra.
- Coloque la sierra de lado, de manera que la parte inferior quede accesible.
- Abra la puerta de acceso mostrada en la figura 24 quitando las dos horquillas. Limpie el exceso de polvo y reasegure la puerta con las horquillas.

Cuando corte madera húmeda sin usar aspiradora, o cuando corte con disco para canales, puede ser de ayuda para evitar que se tape la sierra remover la puerta de acceso para el polvo.

Lubricación

- Todos los baleros de motor se lubrican permanentemente en la fábrica y no requieren de lubricación adicional.
- El tornillo de ajuste de altura puede requerir limpieza periódica y lubricación. Si tiene dificultad para subir o bajar el disco:
 - Desconecte la sierra.
 - Coloque la sierra de lado, de manera que la parte inferior quede accesible
 - Limpie y lubrique la cuerda de los tornillos de ajuste de altura que se encuentran bajo su sierra con grasa de uso general, como se observa en la figura 25.

Accesorios

Los accesorios recomendados están a su disposición con cargo extra con su distribuidor local o en los centros de servicio autorizado.

DeWALT fabrica los siguientes accesorios para su sierra:
 Base portátil
 Soporte de apoyo lateral
 Placa de respaldo de repuesto
 Placa de respaldo para corte de canales
 ▲ **PRECAUCION:** El empleo de cualquier accesorio no recomendado puede ser peligroso.
 Si necesita ayuda para encontrar cualquier accesorio, comuníquese por favor a DeWALT Industrial Tool Co., 701 East Joppa Road, Baltimore, MD 21286.

Limpieza

Utilice únicamente jabón suave y un trapo húmedo para limpiar la herramienta. Nunca permita que ningún líquido se introduzca en la herramienta; nunca sumerja ninguna parte de la herramienta en un líquido. **Nunca emplee solventes para limpiar la sierra ni los componentes de la guarda.**

Importante

Para garantizar la SEGURIDAD y la CONFIABILIDAD, deberán hacerse reparaciones, mantenimiento y ajustes de esta herramienta en los centros autorizados de servicio DeWALT u otras organizaciones autorizadas. Estas organizaciones prestan servicio a las herramientas DeWALT y emplean siempre refacciones legítimas DeWALT.

PARA REPARACION Y SERVICIO DE SUS HERRAMIENTAS ELÉCTRICAS, FAVOR DE DIRIGIRSE AL CENTRO DE SERVICIO MAS CERCANO

CULIACAN, SIN Av. Nicolás Bravo #1063 Sur Col. Industrial Bravo	(667) 7 12 42 11
GUADALAJARA, JAL Av. La Paz #1779 Col. Americana Sector Juárez	(33) 3825 6978
MEXICO, D.F. Eje Central Lázaro Cárdenas No. 18 Local D, Col. Obrera	(55) 5588 9377
MERIDA, YUC Calle 63 #459-A - Col. Centro	(999) 928 5038
MONTERREY, N.L. Av. Francisco I. Madero No.831 - Col. Centro	(81) 8375 2313
PUEBLA, PUE 17 Norte #205 - Col. Centro	(222) 246 3714
QUERETARO, QRO Av. Madero 139 Pte. - Col. Centro	(442) 214 1660
SAN LUIS POTOSI, SLP Av. Universidad 1525 - Col. San Luis	(444) 814 2383
TORREON, COAH Blvd. Independencia, 96 Pte. - Col. Centro	(871) 716 5265
VERACRUZ, VER Prolongación Díaz Mirón #4280 - Col. Remes	(229) 921 7016
VILLAHERMOSA, TAB Constitución 516-A - Col. Centro	(993) 312 5111

PARA OTRAS LOCALIDADES LLAME AL: (55) 5326 7100

Póliza de Garantía

IDENTIFICACIÓN DEL PRODUCTO:

Sello o firma del Distribuidor.

Nombre del producto: _____ Mod./Cat.: _____

Marca: _____ Núm. de serie: _____

(Datos para ser llenados por el distribuidor)

Fecha de compra y/o entrega del producto:

Nombre y domicilio del distribuidor donde se adquirió el producto:

Este producto está garantizado por un año a partir de la fecha de entrega, contra cualquier defecto en su funcionamiento, así como en materiales y mano de obra empleados para su fabricación. Nuestra garantía incluye la reparación o reposición del producto y/o componentes sin cargo alguno para el cliente, incluyendo mano de obra, así como los gastos de transportación razonablemente erogados derivados del cumplimiento de este certificado.

Para hacer efectiva esta garantía deberá presentar su herramienta y esta póliza sellada por el establecimiento comercial donde se adquirió el producto, de no contar con ésta, bastará la factura de compra.

EXCEPCIONES.

Esta garantía no será válida en los siguientes casos:

- Cuando el producto se hubiese utilizado en condiciones distintas a las normales;
- Cuando el producto no hubiese sido operado de acuerdo con el instructivo de uso que se acompaña;
- Cuando el producto hubiese sido alterado o reparado por personas distintas a las enlistadas al final de este certificado.

Anexo encontrará una relación de sucursales de servicio de fábrica, centros de servicio autorizados y franquiciados en la República Mexicana, donde podrá hacer efectiva su garantía y adquirir partes, refacciones y accesorios originales.

Garantía limitada por tres años

DeWALT reparará, sin cargo, cualquier falla que surja de defectos en el material o la fabricación del producto, por hasta tres años a contar de la fecha de compra. Esta garantía no cubre fallas de las piezas causadas por su desgaste normal o abuso a la herramienta. Para mayores detalles sobre la cobertura de la garantía e información acerca de reparaciones realizadas bajo garantía, visítenos en www.dewalt.com o llámenos al 1 800 433-9258 (1-800-4-DeWALT). Esta garantía no aplica a accesorios o a daños causados por reparaciones realizadas o intentadas por terceros. Esta garantía le otorga derechos legales específicos, además de los cuales puede tener otros dependiendo del estado o provincia en que se encuentre.

Además de la garantía, las herramientas DeWALT están cubiertas por:

1 AÑO DE SERVICIO GRATUITO

DeWALT mantendrá la herramienta y reemplazará las piezas gastadas por su uso normal, sin cobro, en cualquier momento durante un año a contar de la fecha de compra.

GARANTÍA DE REEMBOLSO DE SU DINERO POR 90 DÍAS

Si no está completamente satisfecho con el desempeño de su máquina herramienta, láser o clavadora DeWALT, cualquiera sea el motivo, podrá devolverlo hasta 90 días de la fecha de compra con su recibo y obtener el reembolso completo de su dinero – sin necesidad de responder a ninguna pregunta.

REEMPLAZO DE LAS ETIQUETAS DE ADVERTENCIA GRATUITO: Si sus etiquetas de advertencia se tornan ilegibles o se pierden, llame al 1-800-4-DeWALT para que se las reemplacen sin cost.

Especificaciones

DW744

Tensión de alimentación	120 V CA~
Potencia nominal:	1 675 W
Consumo de corriente:	15,0 A
Frecuencia de operación:	60 Hz

IMPORTADO: DeWALT S.A. DE C.V.
BOSQUES DE CIDROS ACCESO RADIATAS NO. 42
COL. BOSQUES DE LAS LOMAS.
05120 MÉXICO, D.F.
TEL. 326-7100

Para servicio y ventas consulte
"HERRAMIENTAS ELÉCTRICAS"
en la sección amarilla.



Push Stick Pattern

Modèle de bâton pour pousser

Patrón de palanca para empujar

⚠ CAUTION

Make push stick from plywood or hardwood equal to or less than the width of the material to be cut.

⚠ MISE EN GARDE

Fabriquer le bâton avec du contreplaqué ou du bois franc, d'une largeur au plus égale à celle du matériau à découper.

⚠ PRECAUCION

Haga una palanca para empujar con madera o madera contraplacada igual o menor al espesor del material que va a cortar.

Adjust length of push stick so hand will clear blade guard and rip fence.

Régler la longueur du bâton pour pousser de sorte que la main reste loin du protecteur et du guide de refente.

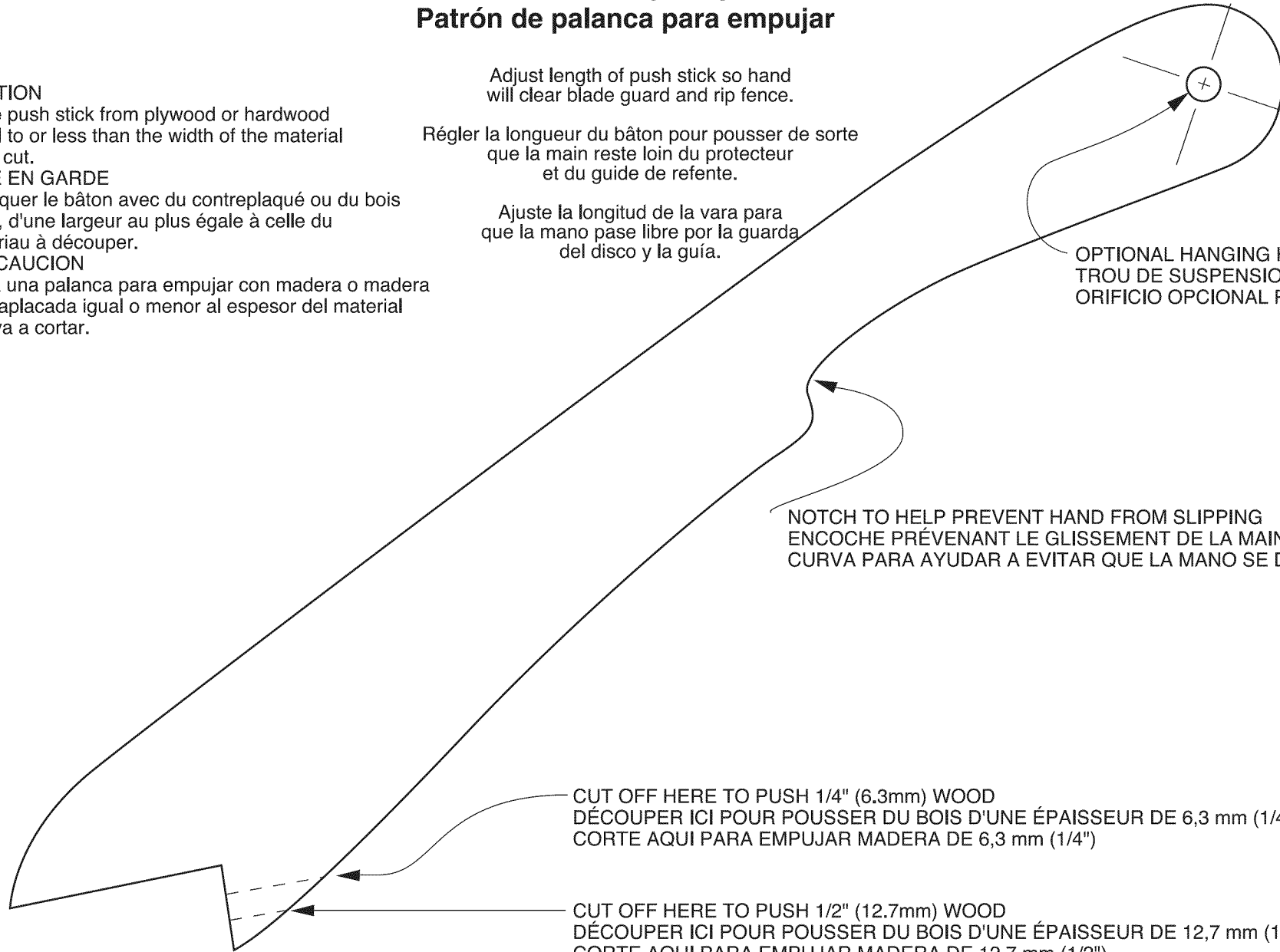
Ajuste la longitud de la vara para que la mano pase libre por la guarda del disco y la guía.

OPTIONAL HANGING HOLE
TROU DE SUSPENSION FACULTATIF
ORIFICIO OPCIONAL PARA COLGAR

NOTCH TO HELP PREVENT HAND FROM SLIPPING
ENCOCHE PRÉVENANT LE GLISSEMENT DE LA MAIN
CURVA PARA AYUDAR A EVITAR QUE LA MANO SE DESLICE

CUT OFF HERE TO PUSH 1/4" (6.3mm) WOOD
DÉCOUPER ICI POUR POUSSER DU BOIS D'UNE ÉPAISSEUR DE 6,3 mm (1/4 po)
CORTE AQUÍ PARA EMPUJAR MADERA DE 6,3 mm (1/4")

CUT OFF HERE TO PUSH 1/2" (12.7mm) WOOD
DÉCOUPER ICI POUR POUSSER DU BOIS D'UNE ÉPAISSEUR DE 12,7 mm (1/2 po)
CORTE AQUÍ PARA EMPUJAR MADERA DE 12,7 mm (1/2")



DeWALT Industrial Tool Co., 701 East Joppa Road, Baltimore, MD 21286

(JUL04-CD-1)

Form No. 626685-00

DW744

Copyright © 2002, 2004 DeWALT

The following are trademarks for one or more DeWALT power tools: the yellow and black color scheme; the “D” shaped air intake grill; the array of pyramids on the handgrip; the kit box configuration; and the array of lozenge-shaped humps on the surface of the tool.