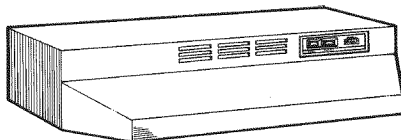
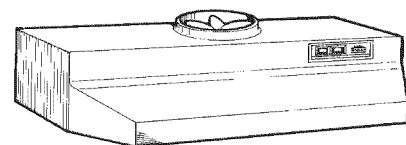




UXT3030AA SERIES
UXT3036AA



UXT4030AA SERIES
UXT4036AA



UXT2030AA SERIES
UXT2036AA

To register this product visit
www.broan.com

ECONOMY RANGE HOOD INSTALLATION INSTRUCTIONS

READ AND SAVE THESE INSTRUCTIONS

⚠ INTENDED FOR DOMESTIC COOKING ONLY. ⚠

WARNING ⚠ ⚠

TO REDUCE THE RISK OF FIRE, ELECTRIC SHOCK, OR INJURY TO PERSONS, OBSERVE THE FOLLOWING:

1. Use this unit only in the manner intended by the manufacturer. If you have questions, contact the manufacturer at the address or telephone number listed in the warranty.
2. Before servicing or cleaning unit, switch power off at service panel and lock the service disconnecting means to prevent power from being switched on accidentally. When the service disconnecting means cannot be locked, securely fasten a prominent warning device, such as a tag, to the service panel.
3. Installation work and electrical wiring must be done by a qualified person(s) in accordance with all applicable codes and standards, including fire-rated construction codes and standards.
4. Sufficient air is needed for proper combustion and exhausting of gases through the flue (chimney) of fuel burning equipment to prevent backdrafting. Follow the heating equipment manufacturer's guideline and safety standards such as those published by the National Fire Protection Association (NFPA), and the American Society for Heating, Refrigeration and Air Conditioning Engineers (ASHRAE), and the local code authorities.
5. When cutting or drilling into wall or ceiling, do not damage electrical wiring and other hidden utilities.
6. Ducted fans must always be vented to the outdoors.
7. Do not use this range hood with an additional speed control device.
8. To reduce the risk of fire, use only metal ductwork.
9. Use with approved cord-connection kit only.
10. This unit must be grounded.

TO REDUCE THE RISK OF A RANGE TOP GREASE FIRE:

1. Never leave surface units unattended at high settings. Boilovers cause smoking and greasy spillovers that may ignite. Heat oils slowly on low or medium settings.
2. Always turn hood ON when cooking at high heat or when cooking flaming foods.
3. Clean ventilating fans frequently. Grease should not be allowed to accumulate on fan or filter.
4. Use proper pan size. Always use cookware appropriate for the size of the surface element.

WARNING ⚠ ⚠

TO REDUCE THE RISK OF INJURY TO PERSONS IN THE EVENT OF A RANGE TOP GREASE FIRE, OBSERVE THE FOLLOWING:*

1. SMOTHER FLAMES with a close-fitting lid, cookie sheet, or metal tray, turn off the burner. **BE CAREFUL TO PREVENT BURNS.** If the flames do not go out immediately, **EVACUATE AND CALL THE FIRE DEPARTMENT.**
2. **NEVER PICK UP A FLAMING PAN** - You may be burned.
3. **DO NOT USE WATER**, including wet dishcloths or towels - a violent stream explosion will result.
4. Use an extinguisher **ONLY** if:
 - A. You know you a Class ABC extinguisher and you already know how to operate it.
 - B. The fire is small and contained in the area where it started.
 - C. The fire department is being called.
 - D. You can fight the fire with your back to an exit.

*Based on "Kitchen Firesafety Tips" published by NFPA.

CAUTION ⚠

1. For general ventilating use only. Do not use to exhaust hazardous or explosive materials and vapors.
2. To avoid motor bearing damage and noisy/and or unbalanced impellers, keep drywall spray, construction dust, etc. off power unit.
3. For best capture of cooking impurities, your range hood should be mounted 18-24" above the cooking surface.
4. Please read specification label on product for further information and requirements.

TOOLS AND MATERIALS REQUIRED

- Drill, electric or ratchet drive
- 1/8" drill bit for drilling pilot holes
- 1-1/4" wood bit for drilling electrical wiring access hole
- One straight blade and one phillips head screwdriver
- Pliers
- Pencil and ruler and/or tape measure
- Saber saw or keyhole saw for cutting 1" x 2" wood strips to length and cutting wall or cabinet openings
- Caulking, metal snips, duct tape, duct (with elbows and transition, if necessary) and roof or wall cap, as required
- Electrical wiring and supplies of type to comply with local codes

The following materials are required only for installations on recessed bottom kitchen cabinets:

- Two 1" x 2" x 12" (approximate length) wood strips (purchase locally)
- Four 1-1/4" long flat head wood screws (purchase locally)

INSTALLER: Leave This Manual With Homeowner
HOMEOWNER: Use and Care Information on Page 6

PLANNING DUCTWORK INSTALLATION

(This section for UXT2030AA, UXT2036AA, UXT3030AA, and UXT3036AA hoods only. UXT4030AA and UXT4036AA hoods skip this section and go on to "Prepare the Hood".)

In more complex ducting situations, a 3-1/4" x 10" rectangular ducting range hood (UXT3030AA and UXT3036AA hoods) can be converted to a round duct by means of a transition.

Begin planning ductwork by deciding where duct will run between the range hood and the outside. For best performance, use the shortest possible duct run and a minimum number of elbows. There are several choices shown - FIGS. A - F below.

FIG. A

Ducting directly through the wall (for range hoods mounted on an exterior wall). Shown are two ways to duct through an outside wall. If a wall cap is used directly off the back of the hood, special care must be taken to make sure that the damper in the damper/duct connector on the hood damper in the wall cap do not interfere with each other when the hood is operating. This could result in either inadequate air delivery or backdrafts. If this condition does exist, remove the hood damper flap. Sometimes when using a wall cap it is easier to duct vertically and then use an elbow as shown FIG. B.

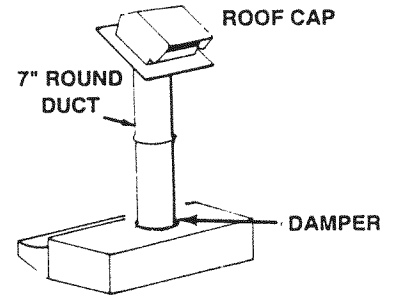
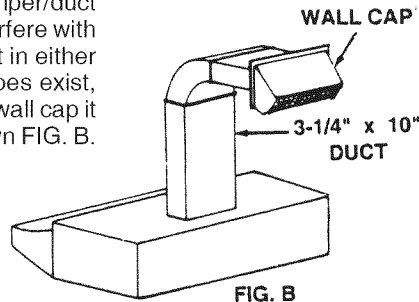
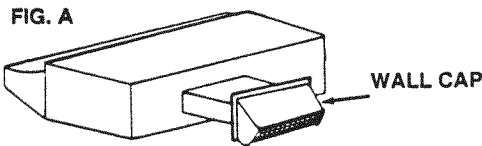


FIG. C. Straight up through the roof using 7" round duct (for single story installations - UXT2030AA and UXT2036AA only)

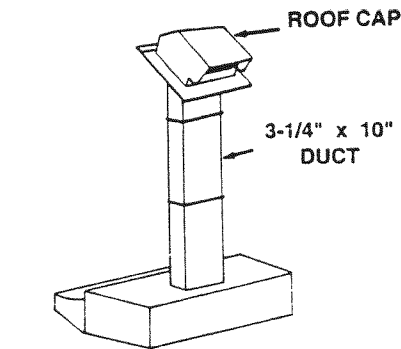


FIG. D. Ducting straight up through the roof using 3-1/4" x 10" rectangular duct. (For single story installations UXT3030AA and UXT3036AA hoods only.)

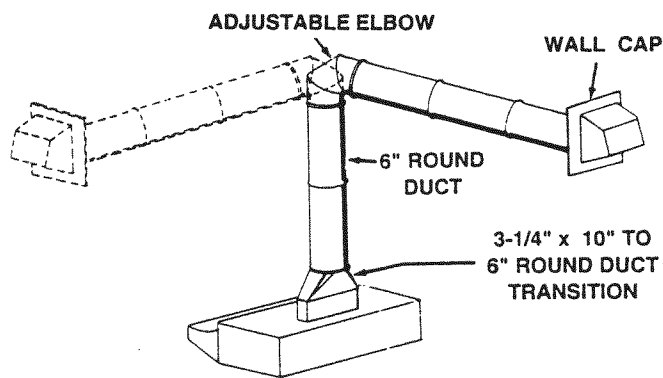


FIG. E. Ducting between the ceiling joists (for multi-story installations) or through the soffit space above the cabinets (where the soffit connects to an outside wall).

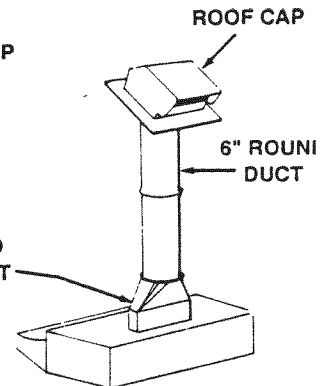
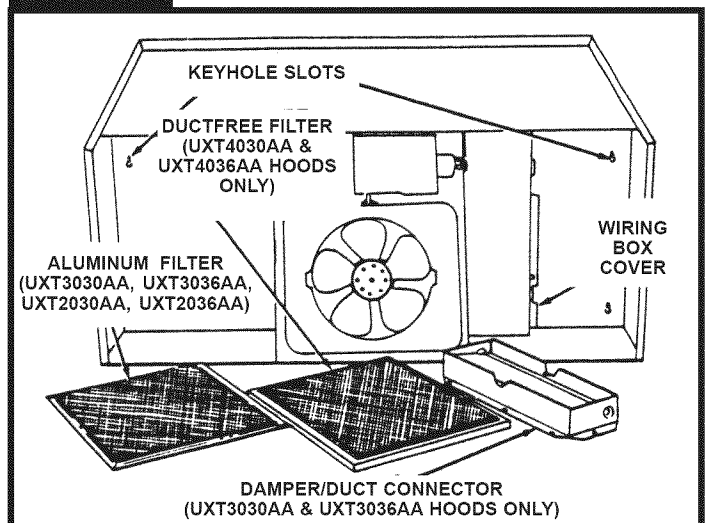


FIG. F. Straight up through the roof using 6" round duct (for single-story installations).

PREPARE THE HOOD

- Unpack hood and check contents. You should receive:
 - 1 - Aluminum Filter (UXT3030AA, UXT3036AA, UXT2030AA and UXT2036AA hoods only)
 - 1 - 3-1/4" x 10" Damper/Duct Connector (mounted inside of hood for shipping only) ((UXT3030AA and UXT3036AA hoods only)
 - 1 - Ductfree Filter (UXT4030AA and UXT4036AA hoods only)
- Remove wiring box cover. Under cover find:
 - 1 - Plastic Bag containing loose mounting hardware

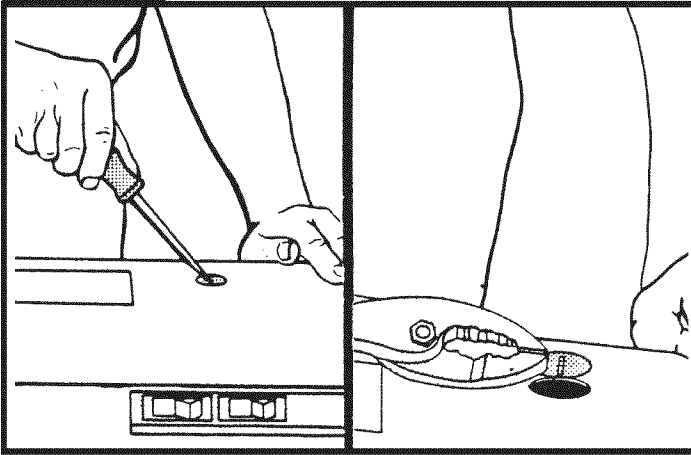
FIG. 1



PREPARE THE HOOD - CONT.

3. Remove top or rear electrical knockout. (FIG. 2)

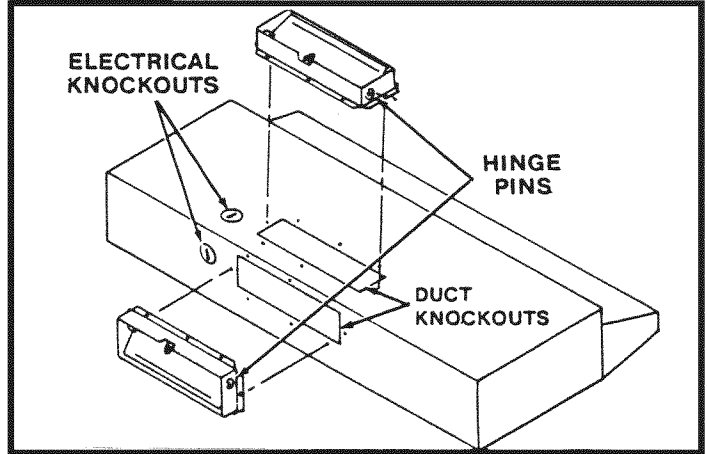
FIG. 2



4. (UXT3030AA and UXT3036AA hoods **ONLY**) Remove duct knockout. Insert screwdriver under edge of knockout, break tabs, and peel knockout back with pliers. (FIG. 3)

5. (UXT3030AA AND UXT3036AA **ONLY**). Install damper/duct connector over opening made in STEP 4. Use #8B sheet metal screws provided. (FIG. 3)
 UXT2030AA and UXT2036AA hoods **ONLY**) Install Model 87 damper (purchase separately) over opening in top of hood.

FIG. 3



PREPARE THE INSTALLATION LOCATION

Omit STEP 1 if hood will be installed under cabinets with flush bottom.

1. (For installation on recessed bottom cabinets only)

Attach a wood filler strip at each side of recessed area under cabinet. Use two 1" x 2" strips cut to length. If recess is deeper than 1" use thicker strips. Attach strips with 1-1/4" wood screws, 3" from end of strip. See FIG. 4.

2. Measure and mark the following (FIGS. 5A & 5B):

- Electrical wiring opening in wall or cabinet.
- Duct opening in wall or cabinet. (UXT2030AA, UXT2036AA, UXT3030AA, and UXT3036AA **ONLY**)

FIG. 4

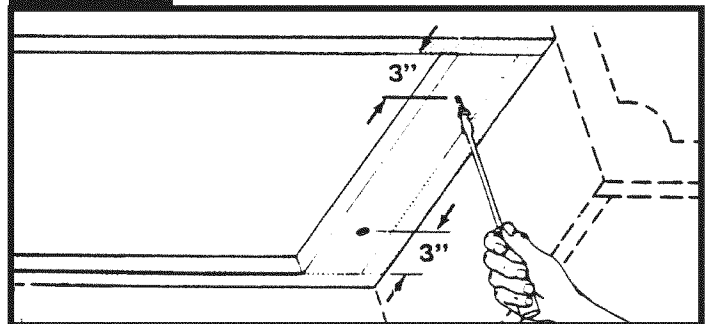


FIG. 5A

**
 13 15/16" For 30" RANGE HOOD
 16 15/16" For 36" RANGE HOOD

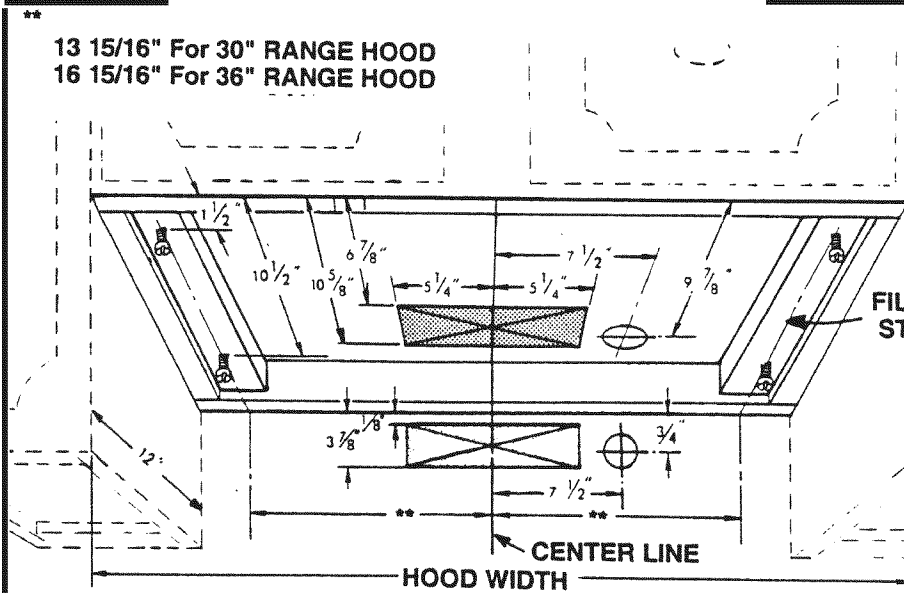
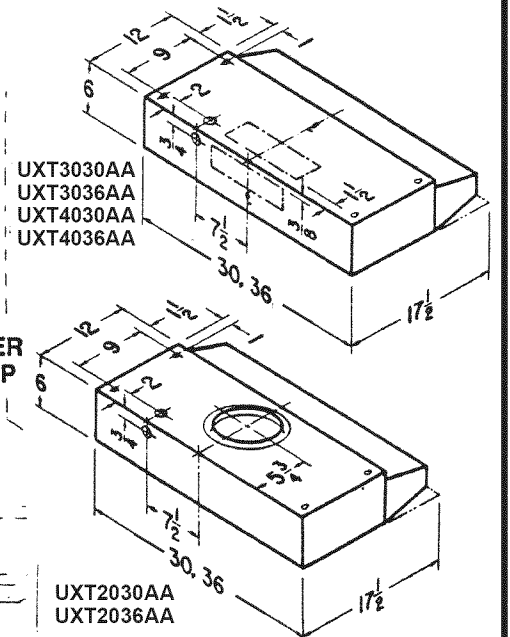


FIG. 5B

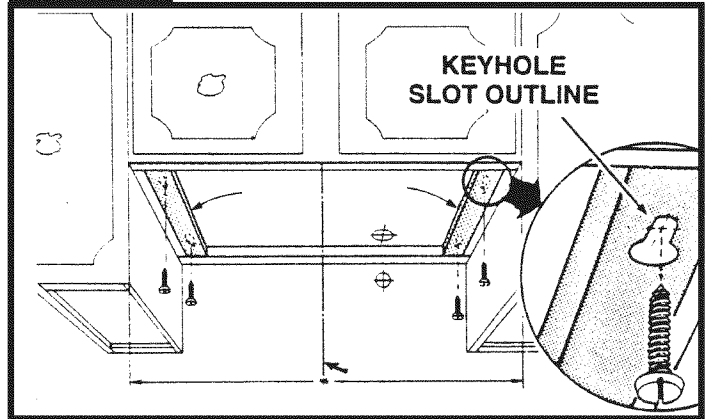


— PREPARE THE INSTALLATION LOCATION - CONT. —

WARNING
WHEN CUTTING OR DRILLING INTO WALL OR CABINET, BE CAREFUL NOT TO CUT EXISTING ELECTRICAL WIRING.

3. Use 1-1/4" bit to drill opening for electric wiring.
4. Cut out duct opening in wall or cabinet with saber saw or keyhole saw.
5. Center hood in installation opening and trace keyhole slots onto wood filler strips on cabinet bottom.
6. Screw four #10 x 7/8 wood screws into exact center of narrow end of traced keyhole slots. Allow 3/8" of screws to project, so that hood can be fitted into place later.

FIG. 6



INSTALL THE DUCTWORK

(This section for UXT2030AA, UXT2036AA, UXT3030AA, and UXT3036AA hoods only. UXT4030AA and UXT4036AA hoods skip this section and go on to "Install Range Hood".)

NOTE
 These instructions will follow plans made on Page 2. Start at the exterior and run ductwork back to the range hood.
 For best possible performance, use the shortest possible duct run and a minimum number of elbows. Do not vent a range hood into an attic space. A buildup of grease in the attic could become a fire hazard.
 Use only metal ductwork. **DO NOT USE PLASTIC DUCT.** Assemble duct run securely so that in case of a grease fire on the range, the fire will be contained inside metal ductwork.
 Tape all duct connections.

- b.) Roof Cap Discharge: (FIG. 8) Cut a hole in roof slightly larger than duct size being used. Run ductwork down to hood location. Leave 3/4" of duct projecting above roof surface on high side.

Trim duct parallel to roof pitch and seal all around duct with roof cement.

Carefully trim shingles and slide back of roof sheet under shingles. Nail roof sheet to roof under shingles at top two corners and two sides. Nail sheet directly to roof in four places at bottom.

Using roof cement, seal all nail heads and shingles which were cut or lifted. Do not seal bottom edge of roof sheet.

2. Follow appropriate directions below for type of duct run you install.

- a.) Wall Cap Discharge; (FIG. 7) Use saber saw or keyhole saw to cut hole slightly larger than duct size used so that duct will line up easily with damper/duct connector on hood. Install casing strips if cap will be installed on siding. Attach required amount of duct to wall cap and run duct back to hood. Fasten cap to wall and caulk well.

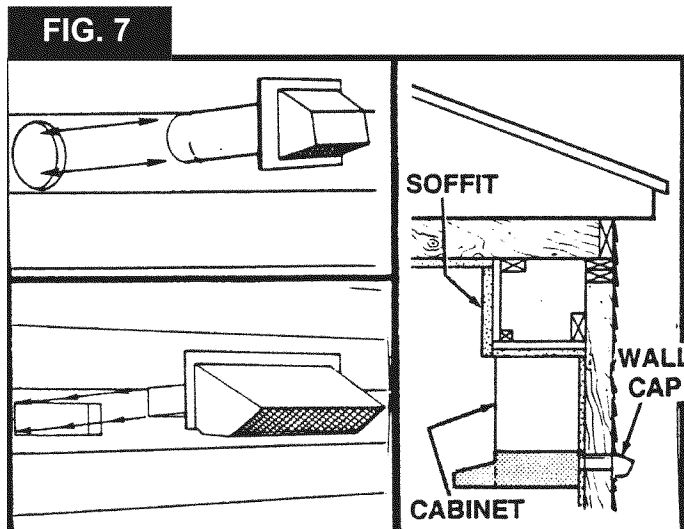
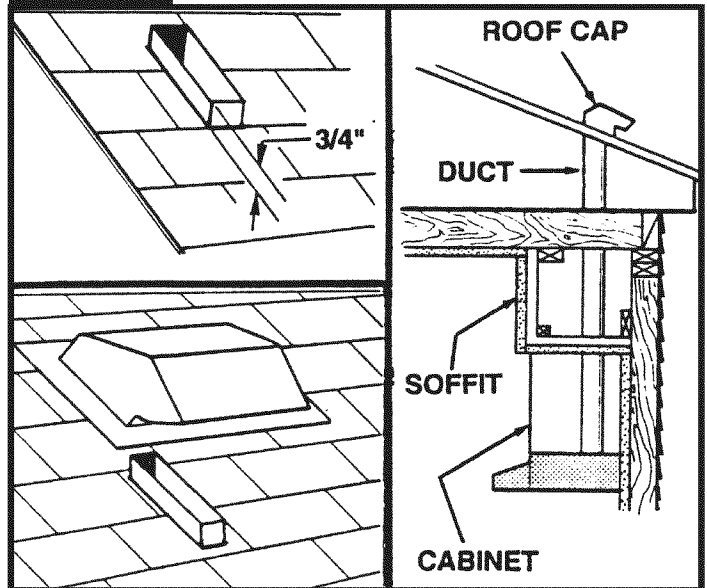


FIG. 8

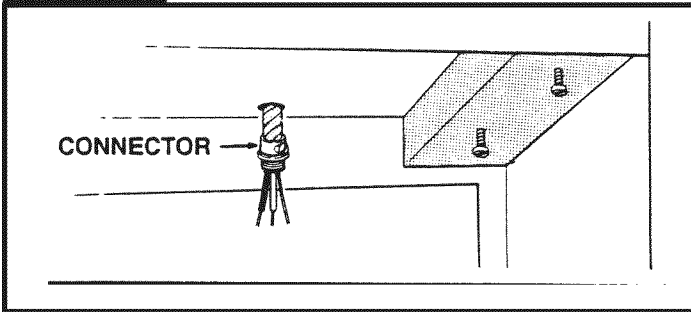


INSTALLING RANGE HOOD

WARNING
TURN OFF THE PROPER CIRCUIT AT THE SERVICE ENTRANCE BEFORE WIRING THIS RANGE HOOD.

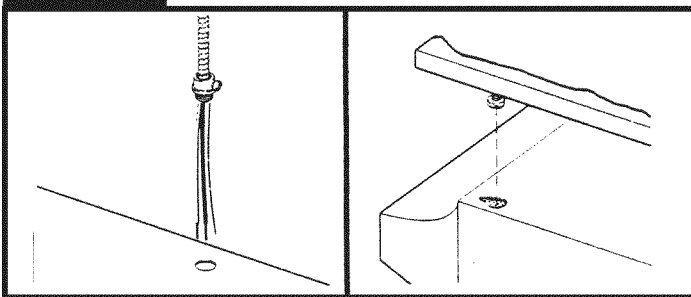
1. Run electric wiring through hole drilled in wall or cabinet. Split wiring for 6" and install proper connector for type of wire used. (FIG. 9)

FIG. 9



2. Position hood so that:
 - a.) Wiring is routed through knockout opening. (FIG. 10)
 - b.) Large part of keyhole slots fit over hood mounting screws. (FIG. 10)
 - c.) Damper/duct connector slides into ductwork. (UXT3030AA, UXT3036AA, UXT4030AA, and UXT4036AA.)

FIG. 10

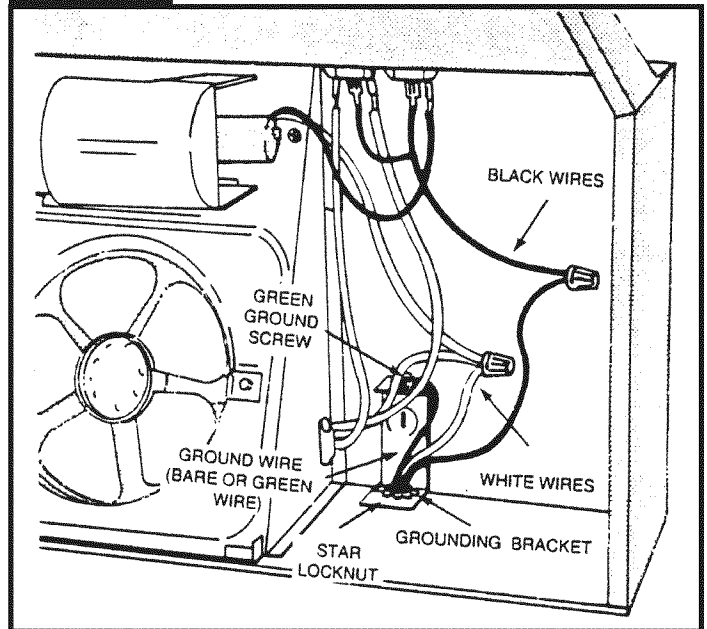


3. Adjust hood so that hood front is flush with cabinet frame.
4. Tighten hood mounting screws firmly.
5. Fasten wiring to hood with proper electrical connector for type of wiring being used.

WARNING
ALL ELECTRICAL CONNECTIONS MUST BE IN ACCORDANCE WITH LOCAL CODES, ORDINANCES, OR NATIONAL ELECTRICAL CODE. IF YOU ARE UNFAMILIAR WITH METHODS OF INSTALLING ELECTRICAL WIRING, SECURE THE SERVICES OF A QUALIFIED ELECTRICIAN.

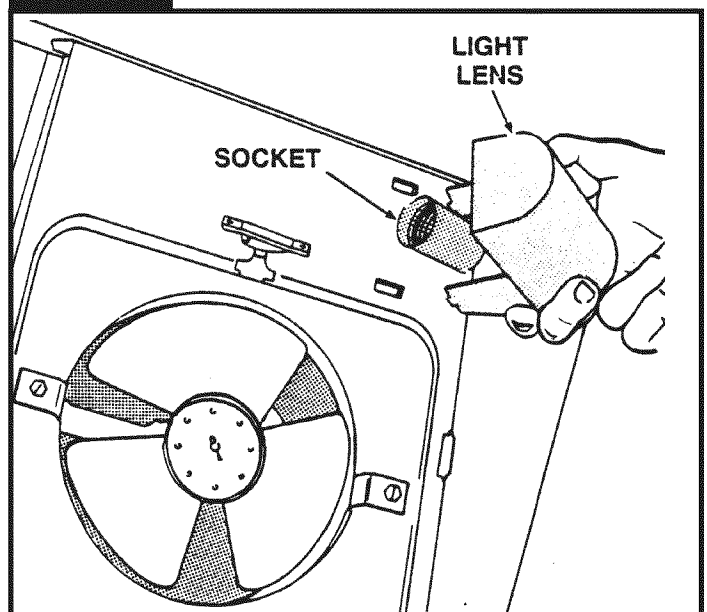
6. Strip 1/2" of insulation from wires. Connect white to white, black to black, and green to prepared hole with green ground screw provided. (FIG. 11)

FIG. 11



7. Replace wiring box cover and screw. Make sure that all wiring is safely contained inside.
8. Install light (75 Watt maximum) For easier installation, squeeze plastic lens and remove it from hood. Remember to reinstall lens (FIG. 12)

FIG. 12



9. Turn on power and check operation of fan and light. Make sure that damper operates freely.

USE AND CARE

SWITCHES

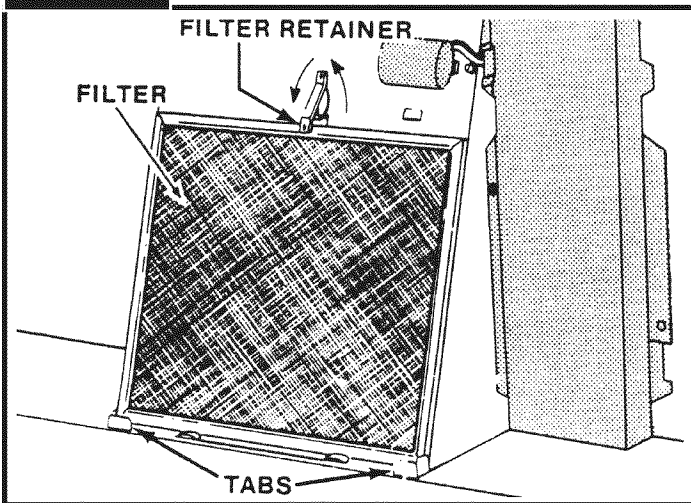
The fan and light are each controlled by a rocker switch. The light switch has two positions, "ON" AND "OFF". The fan switch has three positions - "HIGH", "LOW" and "OFF". ("OFF" is the middle position.)

FILTERS

UXT3030AA, UXT3036AA, UXT2030AA, and UXT2036AA Hoods Only:

Remove aluminum filter by turning filter retainer to one side. (FIG. 13) Filter should be washed once a month in a hot detergent solution. Aluminum filters are dishwasher safe. When installing filter, make sure that filter slides under retaining tabs on back of fan housing. Turn filter retainer so that arrows on retainer point toward front and back of hood.

FIG. 13



UXT4030AA and UXT4036AA Hoods Only:

The UXT4030AA and UXT4036AA hoods are equipped with a ductfree filter. Remove filter by turning filter retainer to one side. (FIG. 13). The ductfree filter is not washable, and will last up to twelve months with normal use. Replace the filter when colored side becomes noticeably dirty or discolored.

When installing filter, make sure that filter slides under retaining tabs on back of fan housing. **MAKE SURE THAT COLORED SIDE OF FILTER IS NEXT TO FAN WHEN FILTER IS INSTALLED.** Turn filter retainer so that arrows on retainer point toward front and back of hood.

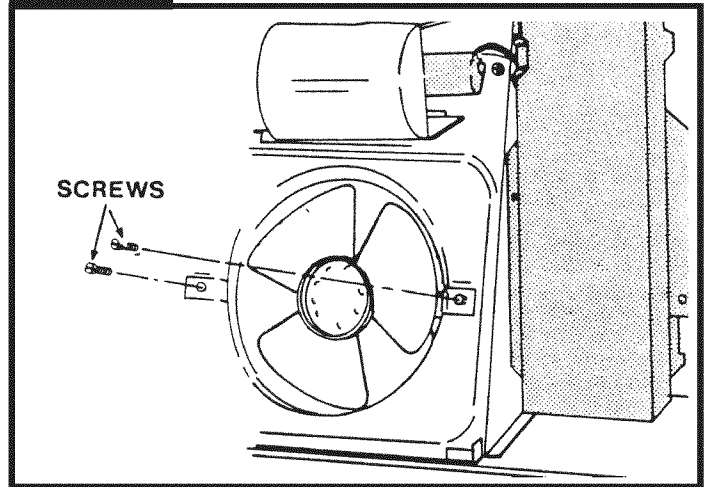
WARNING

ALWAYS DISCONNECT ELECTRIC POWER BEFORE SERVICING RANGE HOOD.

FAN ASSEMBLY

Remove filter. Remove two screws holding motor bracket to range hood, and unplug fan assembly. Be careful not to allow fan assembly to drop when screws are removed. (FIG. 15)

FIG. 15



CLEANING

Clean your hood with a mild detergent suitable for painted surfaces. **DO NOT USE ABRASIVE CLOTH, STEEL WOOL PADS OR SCOURING POWDERS.**

Fan assembly may be vacuumed. Fan assembly is lifetime lubricated, and never needs oiling.

HOW TO AVOID A COMMON RANGE-TOP GREASE FIRE

- Your range hood provides a protective barrier between the cooking surface and the cabinets.
- Keep fan, filters and grease laden surfaces **CLEAN** according to instructions.
- Always turn hood **ON** when cooking at high heat to keep the cooking area and the hood cooler.
- Use high heat settings only when necessary.
- Never leave cooking surface unattended. Boil-over causes smoking and greasy spillovers that may ignite.
- Always use adequate-sized utensils.
- If preparing flaming foods, such as Cherries Jubilee, always turn hood **ON** to **HIGH** to prevent a high heat situation which can cause damage or fire.

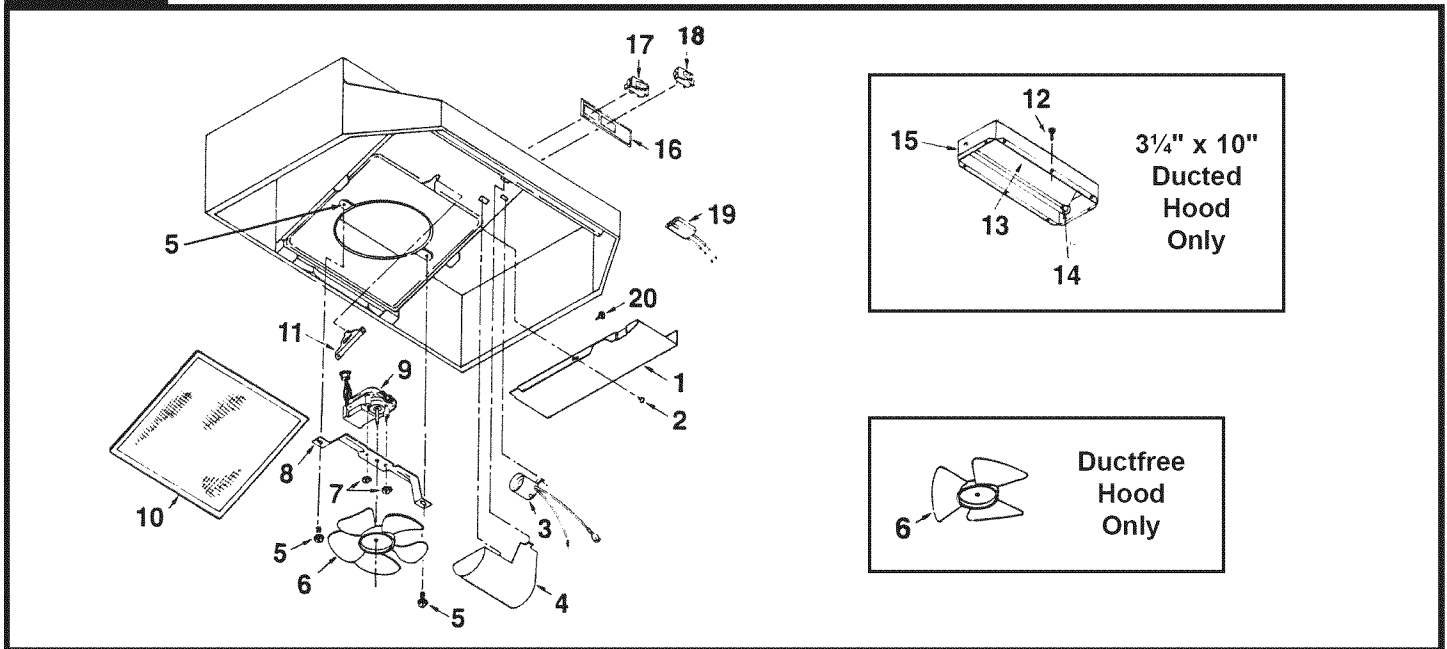
HOW TO EXTINGUISH A COMMON RANGE-TOP GREASE FIRE

- Never pick up a flaming pan. If dropped flames can spread quickly.
- **DO NOT USE WATER!** A violent steam explosion may result. Wet dishcloths or towels are also dangerous.
- Smother flames with a close fitting lid, cookie sheet or metal tray.
- Flaming grease can also be extinguished with baking soda or multi-purpose dry chemical extinguisher.
- Turn off surface units - if you can do so without getting burned.

SERVICE PARTS

Service parts for your range hood are shown (with part numbers). List the hood model number (on spec label located on inside of hood) and the part numbers of all parts being ordered.

FIG. 16



	UXT3030AA UXT3036AA Series 3-1/4" X 10" Ducted Hood	UXT4030AA UXT4036AA Series Ductfree Hood	UXT2030AA UXT2036AA Series 7" Round Ducted Hood	
Key No.	Part Number	Part Number	Part Number	Description
1	47001055	47001055	47001055	Outlet Box Cover
2	706189	706189	706189	#8-18 x 3/8 Phillips Truss Sheet Metal Screws*
3	47001056	47001056	47001056	Bulb Holder with Wires
4	47001057	47001057	47001057	Light Lens
5	47001080	47001080	47001080	Screw/Nut Kit (Includes 2 - #10-16 x .500 screws and 2 - #10-16 sheet metal nuts)
6	47001059	47001074	47001059	Fan Blade
7	03050041	03050041	03050041	#6-32 Locking Nuts* (2 Required)
8	47001060	47001060	47001060	Motor Mounting Bracket
9	47001088	47001075	47001088	Motor Assembly (Includes Key Nos. 6, 7, & 8)
10	47001062	47001076	47001062	Filter
11	47001063	47001063	47001063	Filter Retainer
12	706189	—	—	#8B x 1/4 Hex Head Sheet Metal Screws* (2 Required)
13	47001078	—	—	Damper Flap
14	47001079	—	—	Damper Bushing
15	47001064	—	—	Damper Assembly (Includes Key Nos. 13 & 14)
16	47001065	47001065	47001065	Nameplate - Black
	47001083	47001083	47001083	Nameplate - White
17	47001066	47001066	47001066	2-Speed Motor Switch - Black
	47001081	47001081	47001081	2-Speed Motor Switch - White
18	47001067	47001067	47001067	Light Switch - Black
	47001082	47001082	47001082	Light Switch - White
19	47001068	47001068	47001068	Motor Receptacle with Wires
20	71001171	71001171	71001171	#10-32 x 1/2 Green Ground Screw*
**	—	—	—	Light Bulb, 75 Watt (not included)

* Standard hardware. May be purchased locally.

** Not shown.



Warranty & Service

Warranty

Limited One Year Warranty - Parts and Labor

For one (1) Year from the original retail purchase date, any part that fails in normal home use will be repaired or replaced free of charge.

Canadian Residents

The above warranties only cover an appliance installed in Canada that has been certified or listed by appropriate test agencies for a compliance to a National Standard of Canada unless the appliance was brought into Canada due to transfer of residence from the United States to Canada.

*The specific warranties expressed above are the **ONLY** warranties provided by the manufacturer. These warranties give you specific legal rights, and you may also have other rights which vary from state to state.*

CUSTOMER'S SOLE AND EXCLUSIVE REMEDY UNDER THIS LIMITED WARRANTY SHALL BE PRODUCT REPAIR AS PROVIDED HEREIN. IMPLIED WARRANTIES, INCLUDING WARRANTIES OF MERCHANTABILITY OR FITNESS FOR A PARTICULAR PURPOSE, ARE LIMITED TO ONE YEAR OR THE SHORTEST PERIOD ALLOWED BY LAW. MAYTAG CORPORATION SHALL NOT BE LIABLE FOR INCIDENTAL OR CONSEQUENTIAL DAMAGES. SOME STATES AND PROVINCES DO NOT ALLOW THE EXCLUSION OR LIMITATION OF INCIDENTAL OR CONSEQUENTIAL DAMAGES, OR LIMITATIONS ON THE DURATION OF IMPLIED WARRANTIES OF MERCHANTABILITY OR FITNESS, SO THESE EXCLUSIONS OR LIMITATIONS MAY NOT APPLY TO YOU. THIS WARRANTY GIVES YOU SPECIFIC LEGAL RIGHTS AND YOU MAY ALSO HAVE OTHER RIGHTS, WHICH VARY STATE TO STATE OR PROVINCE TO PROVINCE.

What is Not Covered By These Warranties

1. Conditions and damages resulting from any of the following:
 - a. Improper installation, delivery, or maintenance.
 - b. Any repair, modification, alteration, or adjustment not authorized by the manufacturer or an authorized servicer.
 - c. Misuse, abuse, accidents, unreasonable use, or acts of God.
 - d. Incorrect electric current, voltage, electrical and/or gas supply.
 - e. Improper setting of any control.
2. Warranties are void if the original serial numbers have been removed, altered or cannot be readily determined.
3. Light bulbs, water filters and air filters.
4. Products purchased for commercial or industrial use.
5. The cost of service or service call to:
 - a. Correct installation errors. For products requiring ventilation, rigid metal ducting must be used.
 - b. Instruct the user on the proper use of the product.
 - c. Transport the appliance to and from the servicer.
6. Any food loss due to refrigerator or freezer product failures.
7. Expenses for travel and transportation for product service in remote locations.
8. Outside of the United States and Canada this warranty does not apply. Contact your dealer to determine if another warranty applies.
9. Consequential or incidental damages sustained by any person as a result of any breach of these warranties. Some states do not allow the exclusion or limitation of consequential or incidental damages, so the above exclusion may not apply.

If You Need Service

First see the Troubleshooting section in your Use and Care Guide or call the dealer from whom your appliance was purchased or call Maytag Services, LLC, Customer Assistance at 1-800-688-9900 USA and 1-800-688-2002 Canada to locate an authorized servicer.

- Be sure to retain proof of purchase to verify warranty status. Refer to WARRANTY for further information on owner's responsibilities for warranty service.
- If the dealer or service company cannot resolve the problem, write to Maytag Services LLC, Attn: CAIR® Center, P.O. Box 2370, Cleveland, TN 37320-2370, or call **1-800-688-9900 U.S.A. and 1-800-688-2002 Canada**. U.S. customers using TTY for deaf, hearing impaired or speech impaired, call 1-800-688-2080.
- User's guides, service manuals and parts information are available from Maytag Services LLC, Customer Assistance.

Notes: When contacting about a service problem, please include

- a. Your name, address and telephone number.
- b. Model number and serial number.
- c. Name and address of your dealer or servicer.
- d. A clear description of the problem you are having.
- e. Proof of purchase (sales receipt).