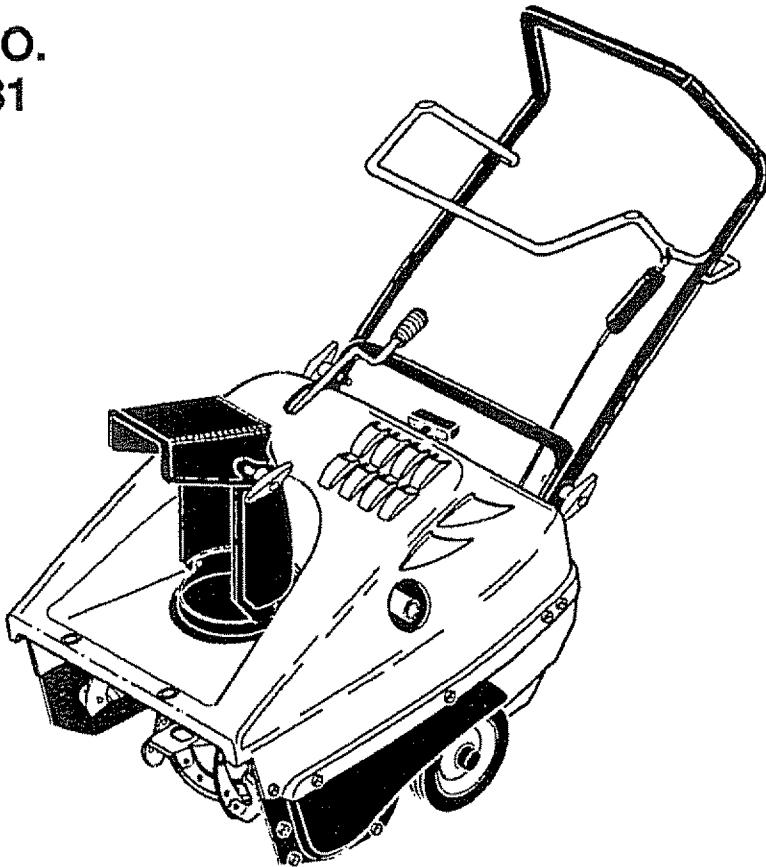


CRAFTSMAN®

5 Horsepower
21 Inch Single Stage
Auger Propelled
SNOWTHROWER
Electric Start

MODEL NO.
536.884681



Caution:
Read and follow all Safety
Rules and Operating
Instructions before first use
of this product.

SEARS, ROEBUCK AND CO., Hoffman Estates 60179 U.S.A.

340854 08/23/96

SAFETY

ASSEMBLY

OPERATION

MAINTENANCE

PARTS LIST

ESPAÑOL

TABLE OF CONTENTS

Table of Contents	2	Service and Adjustments	12-15
Warranty	2	Storage	16
Safety Rules	2-4	Troubleshooting	17
Contents of Shipping Carton	4	Edger Repair Parts	18-24
Assembly	5	Engine Repair Parts	25-28
Operation	6-10	Spanish (Español)	29-45
Maintenance	11	Parts Ordering/Service	Back Cover

WARRANTY STATEMENT

LIMITED TWO-YEAR WARRANTY ON CRAFTSMAN SNOW THROWER

For two year from the date of purchase, when this Craftsman Snow Thrower is maintained, lubricated, and tuned up according to the operating and maintenance instructions in the owner's manual, Sears will repair, free of charge, any defect in material or workmanship.

If this Craftsman Snow Thrower is used for commercial or rental purposes, this warranty applies for only 90 days from the date of purchase.

This warranty does not cover the following:

- Items which become worn during normal use, such as spark plugs, drive belts and shear pins.
- Repairs necessary because of operator abuse or negligence, including bent crank shafts and the failure to maintain the equipment according to the instructions contained in the owner's manual.

WARRANTY SERVICE IS AVAILABLE BY RETURNING THE CRAFTSMAN SNOW THROWER TO THE NEAREST SEARS SERVICE CENTER/DEPARTMENT IN THE UNITED STATES. THIS WARRANTY APPLIES ONLY WHILE THIS PRODUCT IS IN USE IN THE UNITED STATES.

This warranty gives you specific legal rights, and you may also have other rights which may vary from state to state.


Sears, Roebuck and Co., D817WA, Hoffman Estates, IL 60179



SAFETY RULES



 **Look for this symbol to point out important safety precautions. It means--- ATTENTION!!! Become alert!!! Your safety is involved.**

 **CAUTION:** Turn key to OFF position and remove key to prevent accidental starting when setting-up, transporting, adjusting or making repairs.

IMPORTANT: Safety standards require operator presence controls to minimize the risk of injury. Your snow thrower is equipped with such controls. Do not attempt to defeat the function of the operator presence control under any circumstances.

BEFORE USE

- Read the owner's manual carefully. Be thoroughly familiar with the controls and the proper use of the snow thrower. Know how to stop the snow thrower and disengage the controls quickly.
- Do not operate the snow thrower without wearing adequate outer garments. Wear footwear that will improve footing on slippery surfaces.
- Keep the area of operation clear of all persons, particularly small children and pets.
- Thoroughly inspect the area where the snow thrower is to be used and remove all foreign objects.
- Use extension cords and receptacles as specified by the manufacturer for all snow throwers with electric drive motors or with factory-installed or optional starting motors.
- Use only attachments and accessories approved by the manufacturer of the snow thrower (such as electric starter kits, etc.).
- Never operate the snow thrower without good visibility or light. Always be sure of

your footing, and keep a firm hold on the handles. Walk; never run.

- This snow thrower is for use on sidewalks, driveways, and other ground level surfaces. **CAUTION:** should be exercised while using on steep sloping surfaces. **DO NOT USE SNOW THROWER ON SURFACES ABOVE GROUND LEVEL** such as roofs of residences, garages, porches or other such structures or buildings.
- Check all bolts at frequent intervals for proper tightness to be sure the snow thrower is in safe working condition.
- Disengage clutch before starting the engine.
- Let engine and snow thrower adjust to outdoor temperatures before starting to clear snow.

FUEL SAFETY

- Handle fuel with care; it is highly flammable.
- Use an approved container.
- Check fuel supply before each use, allowing space for expansion as the heat of the engine and/or sun can cause fuel to expand.
- Fill fuel tank outdoors with extreme care. Never fill fuel tank indoors. Replace fuel tank cap securely and wipe up spilled fuel.
- Never remove the fuel tank cap or add fuel to a running or hot engine.
- Never store fuel or snow thrower with fuel in the tank inside a building where fumes may reach an open flame.

OPERATING SAFETY

- Never allow children or young teenagers to operate the snow thrower. Keep them away while it is operating. Never allow adults to operate the snow thrower without proper instruction.
- Do not operate this machine if you are taking drugs or other medication which can cause drowsiness or affect your ability to operate this machine.
- Do not use this machine if you are mentally or physically unable to operate this machine safely.
- Always wear safety glasses or eye shields during operation or while performing an adjustment or repair to protect your eyes from foreign objects that may be thrown from the snow thrower.
- Do not put hands or feet near or under rotating parts. Keep clear of the discharge

opening at all times.

- Exercise extreme caution to avoid slipping or falling, especially when operating in reverse or backing up.
- Do not clear snow across the face of slopes. Exercise caution when changing direction on slopes. Do not attempt to clear steep slopes.
- Never operate the snow thrower without proper guards, plates, or other safety protective devices in place.
- Never operate the snow thrower near glass enclosures, automobiles, window wells, drop-offs, and the like without proper adjustment of the snow discharge angle. Keep children and pets away.
- Never operate the snow thrower at high transport speeds on slippery surfaces. Look behind and use care when backing.
- Never direct discharge at bystanders or allow anyone in front of the snow thrower.
- Do not run the engine indoors, except when starting the engine and for transporting the snow thrower in or out of the building. Open the outside doors; exhaust fumes are dangerous, containing **CARBON MONOXIDE**, an **ODORLESS** and **DEADLY GAS**.
- Take all possible precautions when leaving the snow thrower unattended. Disengage the auger/impeller, stop engine, and remove key.
- Do not overload the machine capacity by attempting to clear snow at too fast a rate.

SAFE STORAGE

- Always refer to the owner's manual instructions for important details if the snow thrower is to be stored for an extended period.
- Disengage power to the auger/impeller when snow thrower is transported or not in use.
- Never store the snow thrower with fuel in the fuel tank inside a building where ignition sources are present such as water and space heaters, clothes dryers, and the like. Allow the engine to cool before storing in any enclosure.

REPAIR/ADJUSTMENTS SAFETY

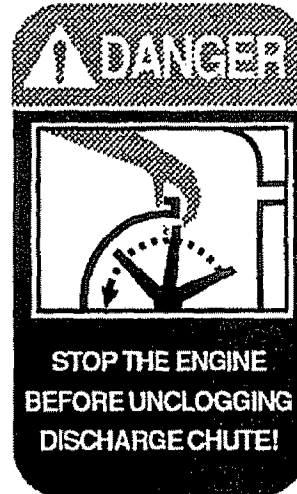
- After striking a foreign object, stop the engine (motor). Turn the ignition **OFF** to prevent accidental starting. Thoroughly inspect the snow thrower for any damage, and repair the damage before restarting and operating it.
- If snow thrower should start to vibrate abnormally, stop engine (motor) and

- check immediately for the cause. Vibration is generally a warning of trouble.
- Stop the engine (motor) whenever you leave the operating position. Also, remove the ignition key before unclogging the auger/impeller housing or discharge chute, and when making any repairs, adjustments, or inspections.
 - When cleaning, repairing, or inspecting, make certain the auger/impeller and all moving parts have stopped. Remove the ignition key to prevent accidental starting.
 - Never attempt to make any adjustments while the engine is running except when specifically recommended by the manufacturer.
 - Maintain or replace safety and instruction labels, as necessary.
 - Run the snow thrower a few minutes after throwing snow to prevent freeze-up of the auger/impeller.

⚠ WARNING: The engine exhaust from this product contains chemicals known to the State of California to cause cancer, birth defects or other reproductive harm.

⚠ WARNING: This unit is equipped with an internal combustion engine and should not be used on or near any unimproved forest-covered, brush-covered or grass-covered land unless the engine's exhaust system is equipped with a spark arrester meeting applicable local or state laws (if any). If a spark arrester is used, it should be maintained in effective working order by the operator.

In the state of California the spark arrester is required by law (Section 4442 of the California Public Resources Code). Other states may have similar laws. Federal laws apply on federal lands. A spark arrester/muffler is available through your nearest Sears Authorized Service Center (See ENGINE REPAIR PARTS section in this manual).

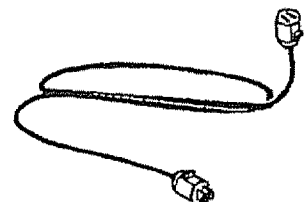


Contents of Parts Bag

- 1 - Owner's Manual (not shown)
- 1 - Parts Bag (not shown)



1 - 3.2 ounce container
Craftsman 2-cycle oil



1 - Electric Starter Cord
10 ft.

ASSEMBLY

⚠ CAUTION: Always wear safety glasses or eye shields while assembling snow thrower.

TOOLS REQUIRED FOR ASSEMBLY

- 1 - Knife to cut carton

The figure to the right shows the snow thrower completely assembled.

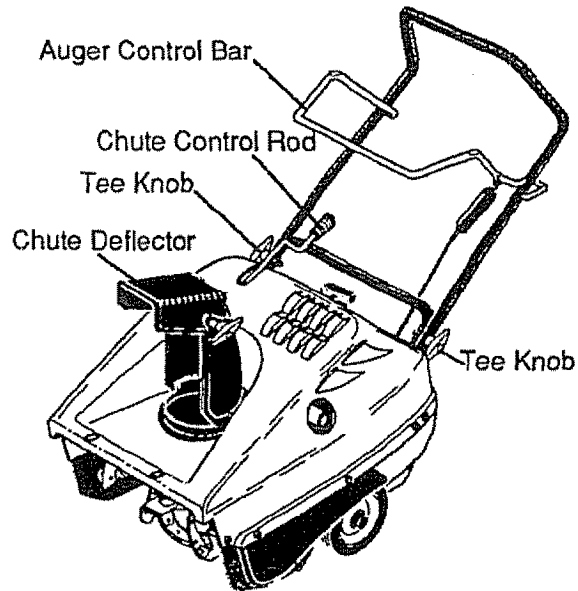
References to the right or left hand side of the snow thrower are from the viewpoint of the operator's position behind the unit.

TO REMOVE SNOW THROWER FROM CARTON

- Locate and remove container of Craftsman 2-cycle oil.
- Remove the inserts positioned around the unit and the packing material.
- Cut down all four corners of the carton and lay the panels flat.
- Pull snow thrower out of the carton.

TO ASSEMBLE THE SNOW THROWER

- Remove wrap on upper handle and along the side of both handles. Discard wrap.
- Loosen the tee knobs on each side of the upper handle. See figure on this page.
- Raise the upper handle to the operating position as shown in figure. Hold upper handle apart to prevent scratching lower handle.
- Check to be sure the clutch cable is not caught in the handle. Tighten the tee knobs.



✓ CHECKLIST

Before you operate your new snow thrower, to ensure that you receive the best performance and satisfaction from this quality product, please review the following checklist:

- ✓ All assembly instructions have been completed.
- ✓ The discharge chute rotates freely.
- ✓ No remaining loose parts in carton.

While learning how to use your snow thrower, pay extra attention to the following important items:

- ✓✓ Make sure gas tank is filled with the correct mixture of gasoline and oil.
- ✓✓ Become familiar with all controls-their location and function. Operate controls before starting engine.

OPERATION

KNOW YOUR SNOW THROWER

READ THIS OWNER'S MANUAL AND SAFETY RULES BEFORE OPERATING YOUR SNOW THROWER. Compare the illustrations with your SNOW THROWER to familiarize yourself with the location of various controls and adjustments. Save this manual for future reference.



Electric Start



Ignition Off



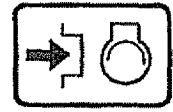
Ignition On



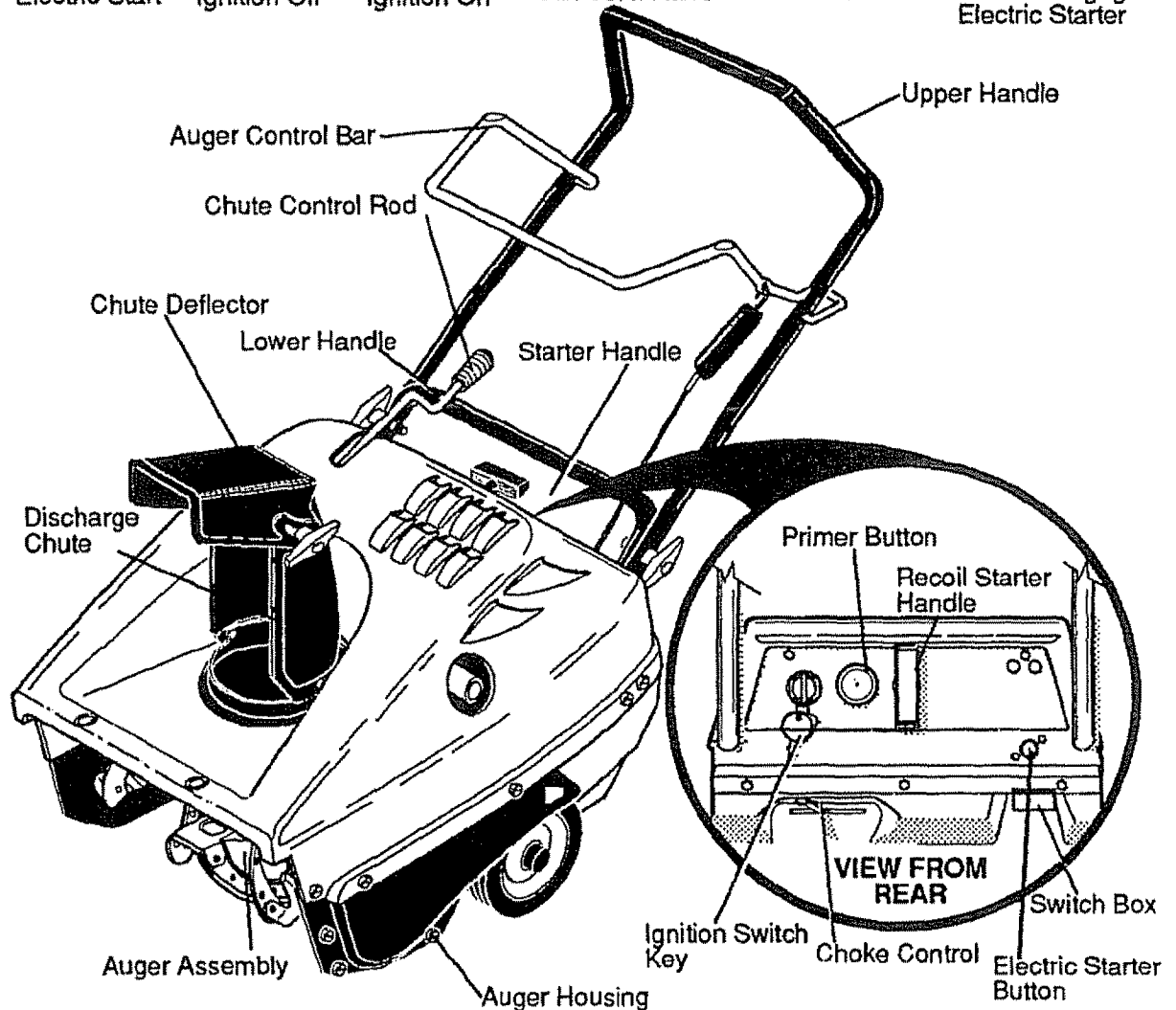
Oil/Fuel Mixture



Primer Button



Push to Engage Electric Starter



Auger Control Bar – Starts and stops the auger which propels the snow thrower.

Chute Control Rod – Changes the direction of snow discharge.

Chute Deflector – Changes the distance the snow is thrown.

Discharge Chute – Changes the direction the snow is thrown.

Ignition Switch Key – Must be inserted and turned to the ON position to start the engine.

Choke Control – Used to start a cold engine

Primer Button – Injects fuel directly into the carburetor manifold for fast starts in cold weather.

Recoil Starter Handle – Starts the engine manually.

Electric Starter Button – Used to start the engine using the 120V electric starter.

HOW TO USE YOUR SNOW THROWER TO STOP YOUR SNOW THROWER

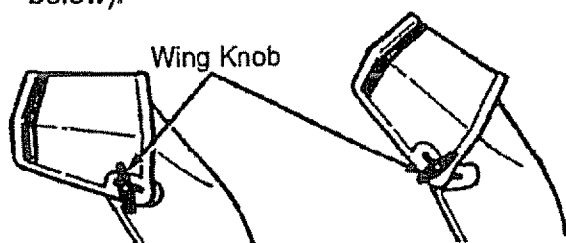
- To stop the auger, release the auger control bar.

NOTE: If the auger continues to creep, refer (To Adjust Auger Control Cable paragraph on page 12).

- To stop the engine, turn key to the OFF position.

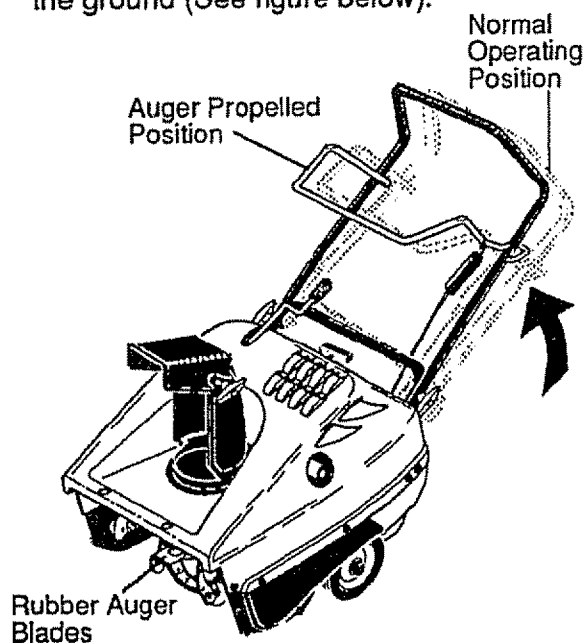
TO CONTROL SNOW DISCHARGE

- Turn the chute control rod to set the **direction** of the snow throwing.
- Loosen the wing knob on the chute deflector and move the deflector to set the **distance**. Move the deflector (**UP**) for more distance, (**DOWN**) for less distance. Then tighten the wing knob (See figure below).



TO USE AUGER PROPEL ACTION

- Squeeze the auger control bar down against the upper handle to allow the auger to turn.
- To propel forward, raise the handle to allow the rubber auger blades to contact the ground (See figure below).



⚠ CAUTION: Read owner's manual before operating machine. Never direct discharge toward bystanders. Release the auger control bar and stop the engine before unclogging discharge chute or auger housing and before leaving the machine.

BEFORE STARTING ENGINE

WARNING: Experience indicates that alcohol blended fuels (called gasohol or those using ethanol or methanol) can attract moisture which leads to separation and formation of acids during storage. Acidic gas can damage the fuel system of an engine while in storage. To avoid engine problems, the fuel system should be emptied before storage for 30 days or longer. Start engine and let it run until fuel lines and carburetor are empty. Use carburetor bowl drain to empty residual gasoline from float chamber (See figure in Storage section, page 16). Use fresh fuel next season. (See Storage Instructions on page 16 for additional information).

Never use engine or carburetor cleaner products in the fuel tank or permanent damage may occur.

FILL GAS

The two cycle engine used on this snow thrower requires a mixture of gasoline and oil for lubrication of the bearings and other moving parts. The correct fuel mixture ratio is 40:1 (3.2 oz. oil per gallon of gas - see Fuel Mixture Chart). Gasoline and oil must be pre-mixed in a clean gasoline container. Always use fresh, clean, unleaded gasoline.

FUEL MIX CHART (Mixture 40:1)

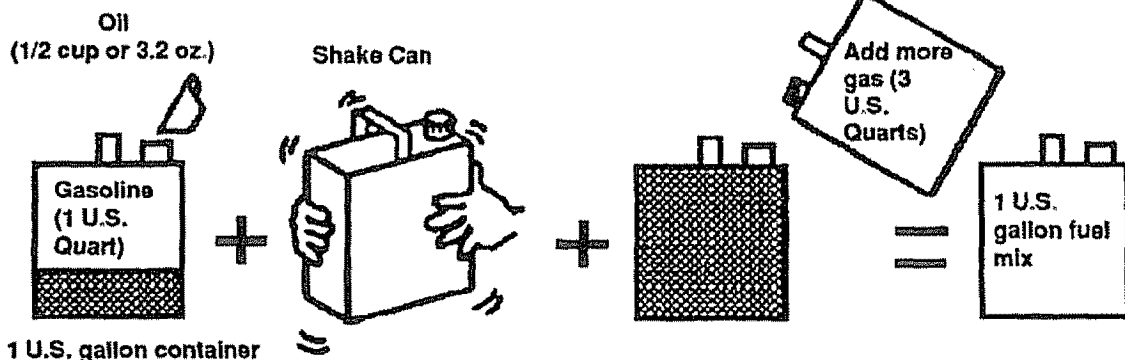
U. S.		IMPERIAL		S. I. (METRIC)	
GAS	OIL	GAS	OIL	GAS	OIL
1 Gal.	3.2 oz.	1 Gal.	3.7 oz.	4 Liters	100ML

GASOLINE AND OIL MIXTURE

Mix gasoline and oil as follows:

- Pour 1 U.S. quart of fresh, clean, unleaded automotive gasoline to a gallon gasoline container.
- Add 3.2 oz of clean, high quality, Craftsman two-cycle oil into the gasoline container (One 3.2 ounces of oil provided).

DO NOT FILL THE FUEL TANK WITH GASOLINE THAT DOES NOT HAVE OIL MIXED IN IT. SHAKE THE GASOLINE CONTAINER BEFORE EACH FILLING OF THE FUEL TANK.



1 U.S. gallon container

IMPORTANT: Do not use outboard motor oil or automobile oils, such as SAE 30 oil, or multi-viscosity oils, such as 10W-30 or 10W-40.

- Reinstall the cap on the gasoline container and shake container vigorously so the oil mixes with the gasoline
- Add an additional 3 U.S. quarts of gasoline to the gallon container and shake the container again.

WARNING: Gasoline is flammable and caution must be used when handling or storing it. Do not fill fuel tank while snow thrower is running, hot, or when snow thrower is in an enclosed area. Keep away from open flame, electrical spark, and do not smoke while filling the fuel tank. Never fill fuel tank completely; but fill the tank to within 1/4-1/2 inch from the top to provide space for expansion of fuel. Always fill fuel tank outdoors and use a funnel or spout to prevent spilling. Make sure to wipe up any spilled fuel before starting the engine. Store gasoline in a clean, approved container, and keep the cap in place on the container. Keep gasoline in a cool, well ventilated place; never in the house. Never buy more than a 30 day supply of gasoline to ensure volatility. Gasoline is intended to be used as a fuel for internal combustion engines; therefore, do not use gasoline for any other purpose. Since many children like the smell of gasoline, keep it out of their reach because the fumes are dangerous to inhale, as well as being explosive.

TO STOP ENGINE

- To stop the engine, turn the key to OFF and remove key. Keep key in a safe

place. The engine will not start without the key. See figure on next page.

TO START ENGINE (ELECTRIC START)

The snow thrower engine is equipped with a 120 volt AC electric starter and recoil starter. Before starting the engine, be certain that you have read the following information:

COLD START

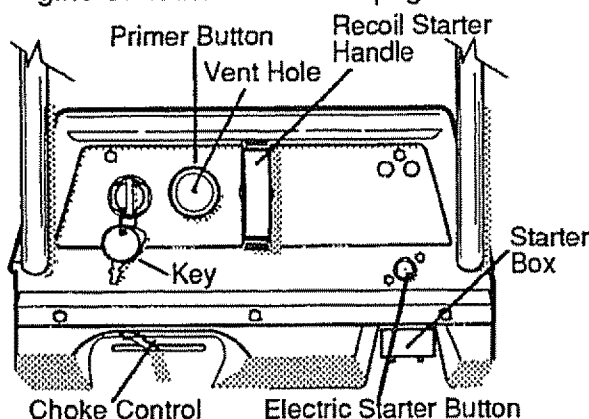
- Insert the key and turn ON.
- Move the choke control to the FULL position.
- Connect the power cord to the switch box on the snow thrower.
- Plug the other end of the power cord into a three hole, grounded 120 volt AC receptacle.
- Push the primer button while covering the vent holes as follows: (Remove finger from primer button between primes).
Do not prime if temperature is above 50°F.
Two times if temperature is 50° F to 15°F.
Four times if temperature is below 15°F.
- Push down on the starter button until the engine starts. Do not crank for more than 10 seconds at a time. This electric starter is thermally protected. If overheated it will stop automatically and can be restarted only when it has cooled to a safe temperature (a wait of about 5 to 10 minutes is required).
- Disconnect the power cord from the receptacle first and then from the switch box on the snow thrower.
- As the engine warms up and begins to operate evenly, move the choke control slowly to the OFF position. If the engine

falters, return to 1/2 choke until it runs smoothly, then move to OFF position.

NOTE: Allow engine to warm up for a few minutes before using snow thrower, as the engine will not develop full power until it reaches operating temperature.

WARM START

- Be sure the choke is in the OFF position and pull the starter handle until the engine starts.
- Do not prime a warm engine. If the engine fails to start, follow the Cold Engine Start instructions on page 8.



CAUTION: This starter is equipped to operate on 120 volt AC household current. Follow all instructions carefully as set forth in the "To Start Engine" section. When connecting 120 volt AC power cord, always connect the cord to the switch box on the engine first, then plug the other end into the household receptacle. When disconnecting the 120 volt AC power cord, always unplug from the household receptacle first.

TO STOP ENGINE

- To stop the engine, turn the key to OFF and remove key. Keep key in a safe place. The engine will not start without the key. See figure above.

TO START ENGINE (RECOIL START)

Before starting the engine, be certain that you have read and understood all the instructions on the preceding pages.

COLD START

- Insert the key and turn ON.
- Move the choke control to the FULL position.
- Push the primer button while covering the

vent holes as follows: (Remove finger from primer button between primes).

Do not prime if temperature is above 50°F.

Two times if temperature is 50° F to 15°F.

Four times if temperature is below 15°F.

- Pull the starter handle with a smooth rapid movement. Do not allow the starter rope to snap back. Rewind smoothly while holding the starter handle. If the engine fires but does not start, pull the starter handle until the engine starts.
- After three pulls, repeat the priming and pulling steps again.
- As the engine warms up and begins to operate evenly, move the choke control slowly to the OFF position. If the engine falters, return to 1/2 choke until it runs smoothly, then move to OFF position.

NOTE: Allow engine to warm up for a few minutes before using snow thrower, as the engine will not develop full power until it reaches operating temperature.

WARM START

- Do not prime a warm engine. If the engine fails to start, follow the Cold Engine Start instructions on this page.

CAUTION: Never run engine indoors or in enclosed, poorly ventilated areas. Engine exhaust contains carbon monoxide, an odorless and a deadly gas. Always stand behind snow thrower (operator's position) when starting engine. Do not put hands, feet, hair or loose clothing in or near the discharge chute deflector or auger housing while the engine is running. The temperature of the muffler and nearby areas may exceed 150° F.; avoid these areas also.

WARNING: Objects such as gravel, rocks or other debris, if struck by the auger, may be thrown with sufficient force to cause personal injury or property damage.

We recommend standard safety glasses or Wide Vision Safety Mask for over your glasses.

SNOW THROWING TIPS

- This snow thrower will propel itself forward when the handle is raised enough to cause the auger blades to contact the ground. The auger should stop when auger control bar is released. If it does not, refer to Adjust Auger Control Cable paragraph on page 12.
- For most efficient snow throwing, turn the discharge chute deflector to throw snow downwind, and slightly overlap each swath. In light snow take up to a full cut and in heavy snow take less than a full cut.
- The distance snow will be discharged can be adjusted by moving the discharge chute deflector. Raise the deflector for more distance or lower the deflector for less distance.
- In windy conditions, lower the chute deflector to direct discharged snow close to the ground where it is less likely to blow into unwanted areas.
- Keep the area to be cleared free of stones, toys and other foreign objects for safety and to prevent damage to the snow thrower.
- Do not use the auger propelling feature when clearing gravel or crushed rock driveways. Move the handle down to raise the auger slightly.
- The allowable forward speed of the snow thrower is dependent on the depth and weight of the snow. Experience will establish the most effective method of using the snow thrower under different conditions.

DRY AND AVERAGE SNOW

- Snow up to eight inch depth can be removed rapidly and easily by walking at a moderate rate. For snow or drifts of a greater depth you may find it desirable to slow your pace to allow the discharge chute to dispose of the snow as rapidly as the auger receives the snow.
- Plan to have the snow discharged in the direction the wind is blowing.

WET PACKED SNOW

- Move slowly into snow of this condition. The greater the depth, the slower you

should go. When it appears that the wet, packed snow is causing the auger to slow down and the chute to clog, back off and begin a series of short jabs into the snow. These short back and forth, 4 to 6 inch, jabbing motions will "belch" the snow from the chute.

SNOW BANKS AND DRIFTS

- In snow of greater depth than the unit, use the jabbing technique described above. Turn the discharge chute away from the snow bank. More time will be required to remove snow of this type than level snow.

PRODUCT SPECIFICATIONS

HORSE POWER:	5HP
DISPLACEMENT:	8.46 cu. in.
GASOLINE CAPACITY:	1.62 quart (unleaded)
FUEL/OIL MIX RATIO:	40:1 (3.2 oz. of air-cooled engine 2 cycle oil specified for 40:1 per 1 gal. of gas)
SPARK PLUG:	Champion RCJ8Y (Gap .030) or Equivalent

MAINTENANCE

SERVICE RECORDS Fill in dates as you complete regular service	SCHEDULE					SERVICE DATES			
	Before Each Use	After first 12 Hours	As Needed	Before Storage	Begin Each Season				
Tighten All Screws & Nuts		✓	✓						
Check Spark Plug					✓				
Check Drive Belts					✓				
Lubricate Chute Control Flange				✓					
Check Fuel	✓								
Drain Fuel				✓					

GENERAL RECOMMENDATIONS

The warranty on this snow thrower does not cover items that have been subjected to operator abuse or negligence. To receive full value from the warranty, the operator must maintain the snow thrower as instructed in this manual. The above chart is provided to assist the operator in properly maintaining the snow thrower.

SNOW THROWER AFTER FIRST USE

- Check for any loose or damaged parts after each use.
- Tighten any loose fasteners.

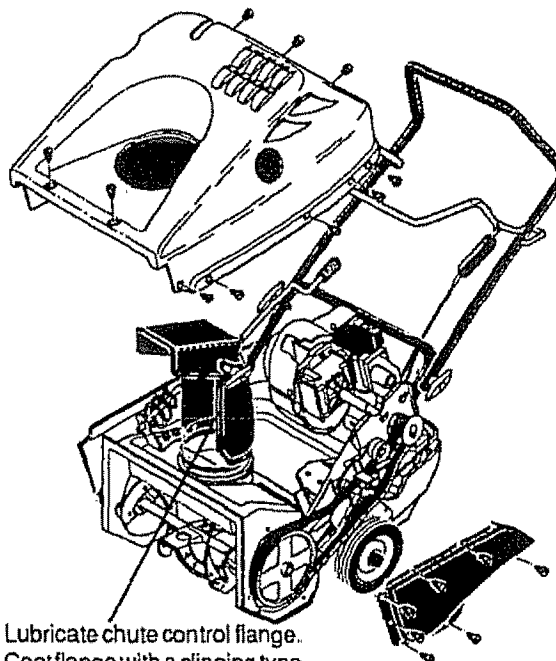
AFTER EACH USE

- Run the machine to clear the auger of snow.
- Remove all snow and slush from the snow thrower to prevent freezing of auger or controls.

LUBRICATION - AS REQUIRED

- Lubricate the flange on the discharge chute before storage. See To Remove Top Cover instructions on page 12.
- See Lubrication Chart diagram for lubrication points and type of lubricant.

LUBRICATION CHART



Lubricate chute control flange. Coat flange with a clinging type grease such as Lubriplate.

ENGINE

SPARK PLUG

- Clean the spark plug and reset the gap periodically. To service or replace spark plug, see To Replace the Spark Plug paragraph on page 15.
- Make sure that the spark plug is tightened securely into the engine and the spark plug wire is attached to the spark plug.
- If a torque wrench is available, torque plug to 18 to 23 foot pounds.
- Clean the area around the spark plug base before removal to prevent dirt from entering the engine.

SERVICE AND ADJUSTMENTS

CARBURETOR ADJUSTMENT

The carburetor on this snow thrower is not adjustable.

IMPORTANT: If you think the carburetor is not operating properly, contact your nearest Sears service center.

⚠ CAUTION: Never tamper with the engine governor which is factory set for proper engine speed. Over speeding the engine may increase the danger of personal injury and will void the engine warranty. If you think the engine governor high speed needs adjusting, contact your nearest Sears service center who has the proper equipment and experience to make any unnecessary adjustments.

TO ADJUST THE CHUTE CRANK ASSEMBLY

If you cannot rotate the chute crank fully to the left and to the right, you need to adjust the chute crank. See first figure on this page.

- Remove the top cover. See To Remove Top Cover instructions on this page.
- Loosen both 1/2" nuts on the crank adjusting bracket using 1/2" wrenches.
- Swivel the crank adjusting bracket to allow about 1/8" clearance between the notch in the flange and the outer diameter of the worm.
- Once this clearance is set, tighten the nuts.

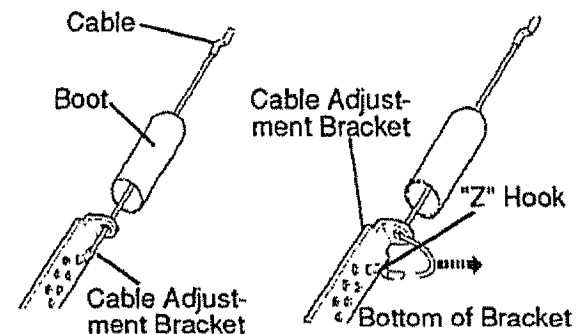
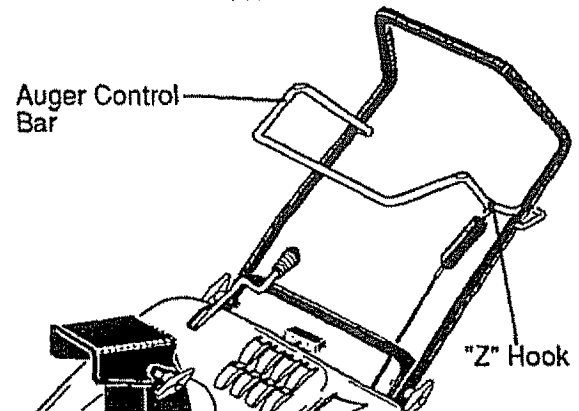
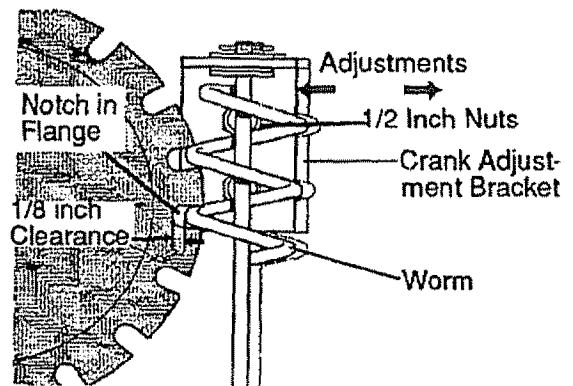
TO ADJUST THE AUGER CONTROL CABLE

The auger control cable is set at the factory for proper operation. If you need to adjust the cable, because the control bar does not properly engage or disengage the auger, do the following:

- Remove "Z" hook from the auger control bar. See second figure on this page.
- Slide the boot toward the loose end of the cable. See last figure on this page.
- Push the cable down through the hole in the top of the cable adjustment bracket to provide slack in the cable. See last figure on this page.
- Remove the "Z" hook from the top hole in

the cable adjustment bracket and move to the next hole away from the top of the bracket. See last figure on this page.

- Pull cable slack through cable adjustment bracket and insert in the control bar. See last figure on this page.
- Replace boot over cable adjustment bracket.
- Insert "Z" hook in the auger control bar.
- Start the snow thrower and check that the auger does not continue to turn when the auger control bar is released.



TO REMOVE TOP COVER

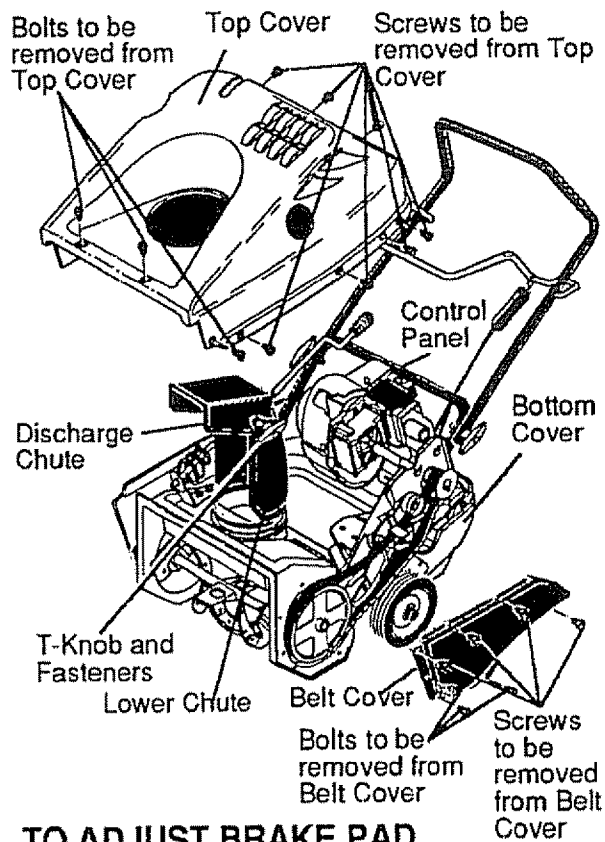
- Follow these steps from operator's position.
- Remove the T-knob and fasteners on the discharge chute.

TO REMOVE TOP COVER

- Follow these steps from operator's position. See figure on this page.
- Remove the T-knob and fasteners on the discharge chute.
- Remove the gas cap.
- Remove the two bolts and nuts from the front lip of the top cover. Use a flat head screwdriver and a 3/8" wrench.
- Remove the bolt from the front right side. Use a 5/16" and 3/8" wrench.
- Remove the four screws on the left side of the top cover. Use a large flat head screwdriver.
- Remove the bolt from the front left side. Use a 5/16" and 3/8" wrench.
- Remove the four screws on the right side of the top cover. Use a large flat head screwdriver.
- Remove the three screws from the top portion of the control panel. Use a large flat head screwdriver.
- Carefully pull up on the rear of top cover making sure to clear gas tank.
- Carefully lift top cover over the three bolts holding the lower chute to the chute ring.
NOTE: This area was designed to have a tight fit, it will be necessary to rock top cover carefully over these bolts.
- Remove top cover.
- Reinstall in reverse order.

TO REMOVE BELT COVER

- Follow these steps from operator's position. See figure on this page.
- Remove the two screws holding the belt cover to the top cover. Use a large flat head screwdriver. **NOTE:** If the top cover is already removed, omit this step.
- Remove the one screw holding the belt cover to the bottom cover. Use a large flat head screwdriver.
- Grasp the bottom portion of the belt cover and pull down and out to remove.
- Reinstall in reverse order.



TO ADJUST BRAKE PAD

The brake pad is adjusted at the factory and no periodic adjustment is necessary.

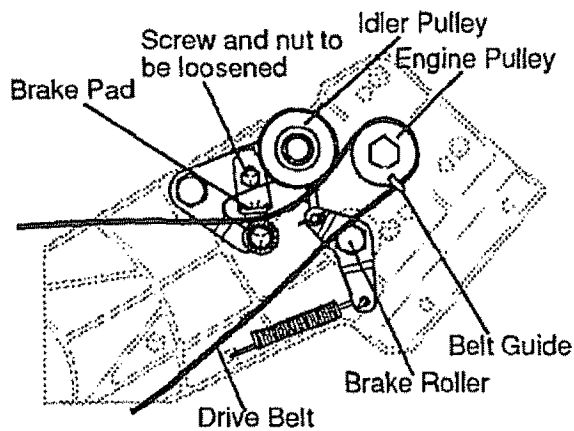
IMPORTANT: Adjustment should only be made to the brake if the brake pad has become loose or has been removed. To adjust proceed as follows:

NOTE: See figure on next page for proper location of brake pad.

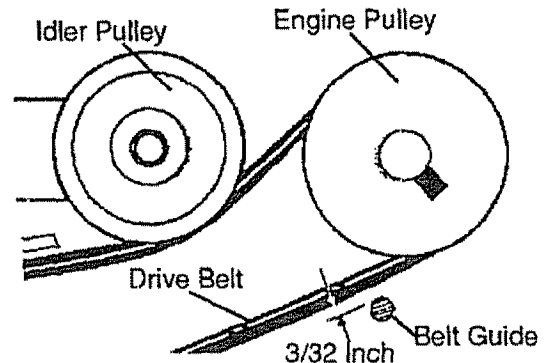
- Turn engine off.
- Remove belt cover. See To Remove Belt Cover paragraph on this page.
- Remove the top cover. See To Remove Top Cover instructions on this page.

NOTE: Make sure the belt is in proper position. See To Replace the Drive Belt paragraph on page 14.

- Tie the control bail to the upper handle with a piece of string. **NOTE:** This will engage the pulley and belt system.
- Using a 7/16 wrench, 7/16 socket, and a ratchet loosen screw and nut on brake pad. See first figure on page 14 for location of screw and nut.
- Adjust brake pad up or down to have a 1/8" gap between the bottom of the brake pad and the belt.
- Tighten screw and nut.



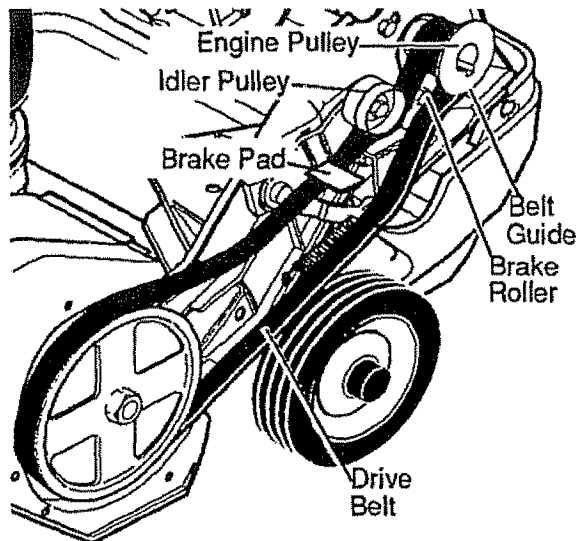
- Make sure the belt is seated properly.
- Move belt guide into position. The belt guide should be 3/32" from belt when belt is engaged as shown in figure below.
- Reinstall belt cover.



TO REPLACE THE DRIVE BELT

The drive belt on this unit is of special construction and must be replaced with the same type belt available at your nearest SEARS Service Center.

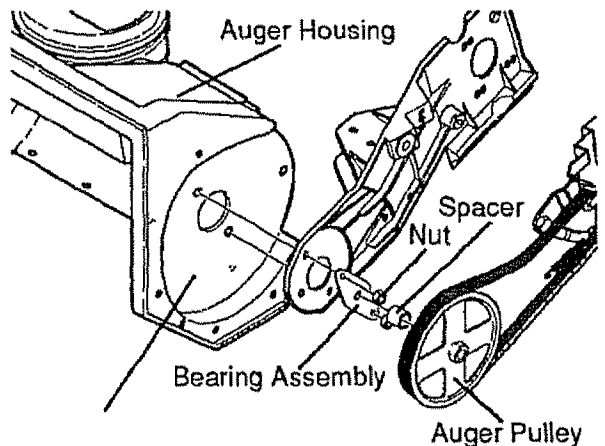
- Remove the belt cover. See to Remove the Belt Cover paragraph on page 13.
- Move belt guide away from belt. See figure below. Belt may come out without loosening belt guide. Carefully press idler pulley down to release brake pressure on belt.



- Remove belt from between brake pad and roller.
- Remove old belt.
- Replace with new belt by carefully pressing down on the idler pulley and placing the belt between the brake pad and roller with belt ribs down.
- Release belt pulley.
- Attach new belt to the engine pulley and auger pulley.

TO REPLACE THE AUGER

- Remove the belt cover, see To Remove Belt Cover paragraph on page 13 and the drive belt. See the Drive Belt Replacement paragraph on this page.
- Remove the auger pulley, see figure below from the auger shaft (threads are left hand; turn clockwise to remove). Place a piece of wood (2x4) on the center paddle area to secure auger to keep from turning.
- Remove the bearing assembly from the left frame of snow thrower by removing the two nuts. See figure below.

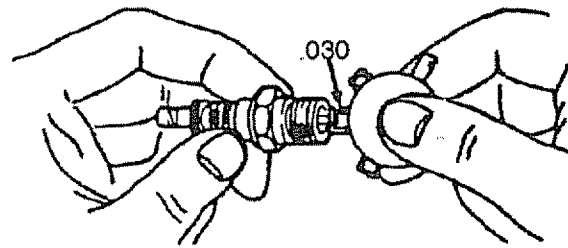


- Slide the auger assembly out of the bearing assembly on the right side of the snow thrower.
- Tip the auger assembly enough to allow it to slide out of the auger housing.
- Install the new auger assembly in reverse order of removal.

TO REPLACE THE SPARK PLUG

The spark plug is housed in the engine compartment under the top cover (See figure below) and cannot be seen under normal conditions.

- First, remove bottom cover. To remove bottom cover proceed as following:
- Stand the unit onto its front end.
- Using a flathead screwdriver , remove the ten screws. See figure below.



- Push the spark plug wire onto the spark plug.
- Reinstall the bottom cover.

ENGINE SERVICE

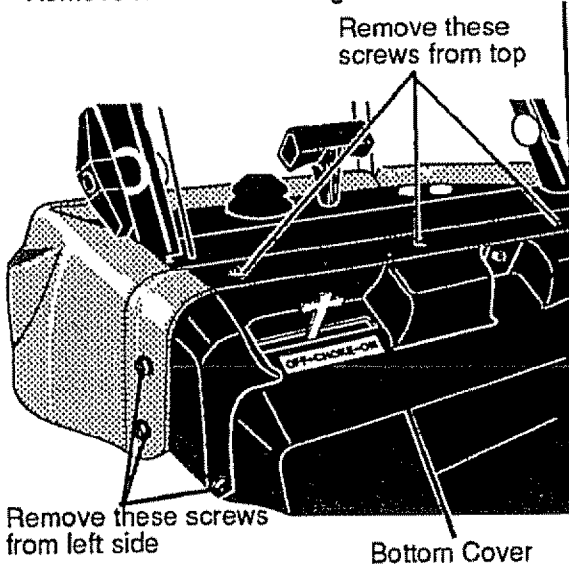
Unless the operator is fully qualified to make engine repairs or adjustments, we recommend that such work should be done by technicians trained to work on snow thrower type engines. Take your snow thrower to your nearest **SEARS** Service Center for repair and adjustment.

ADJUST ENGINE SPEED

Your engine speed has been factory set. Do not attempt to change engine speed or it may result in personal injury. If you believe that the engine is running too fast or too slow, take your snow thrower to your nearest **SEARS** Service Center for repair and adjustment.

Remove four screws on right hand side of unit

Remove these screws from top



Remove these screws from left side

Bottom Cover

- Remove bottom cover.
- The spark plug and wire are now visible.
- Remove the spark plug wire.
- Clean the area around the plug base to prevent dirt from entering the engine when the plug is removed.
- Remove the spark plug. If it is cracked, fouled or dirty, it must be replaced . See page 10 for the proper replacement plug.
- Set the gap between the electrodes of the new spark plug at .030 inch. Next, install the spark plug in the cylinder head. Torque plug to 18 to 20 ft. lb. If you do not use a torque wrench, tighten the plug firmly (See figure next figure).

STORAGE

⚠ WARNING: Never store your snow thrower indoors or in an enclosed, poorly ventilated area. If gasoline remains in the tank, fumes may reach an open flame, spark or pilot light from a furnace, water heater, clothes dryer, cigarette, etc.

To prevent engine damage (if snow thrower is not used for more than 30 days) follow the steps below.

SNOW THROWER STORAGE

- Thoroughly clean the snow thrower.
- Lubricate all the lubrication points. See the **Maintenance** section, page 11.
- Be sure that all nuts, bolts and screws are securely fastened. Inspect all visible moving parts for damage, breakage and wear. Replace if necessary.
- Touch up all rusted or chipped paint surfaces; sand lightly before painting.
- Cover the bare metal parts of the blower housing and auger with rust preventative, such as a spray lubricant.

ENGINE STORAGE

Gasoline must be removed or treated to prevent gum deposits from forming in the tank, filter, hose, and carburetor during storage. Also during storage, alcohol blended gasoline that uses ethanol or methanol (sometimes called gasohol) attracts water. It acts on the gasoline to form acids which damage the engine.

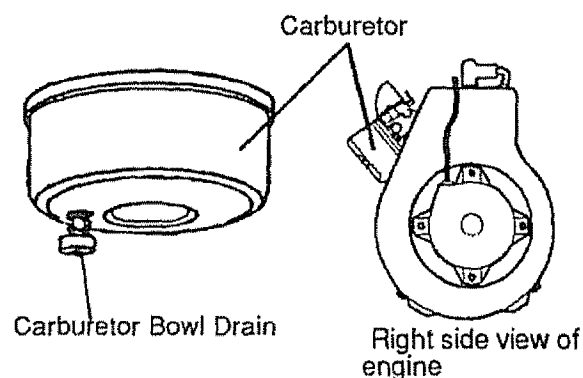
- To remove gasoline, run the engine until the tank is empty and the engine stops. Then drain remaining gasoline from carburetor by pressing upward on bowl drain located on the bottom of carburetor. See next figure.
- If you do not want to remove gasoline, a fuel stabilizer (such as Craftsman fuel stabilizer No. 33500) may be added to any gasoline left in the tank to minimize gum deposits and acids. If the tank is

almost empty, mix stabilizer with fresh gasoline in a separate container and add some to the tank. Always follow instructions on stabilizer container. Instructions on stabilizer container. Then run engine at least 10 minutes after stabilizer is added to allow mixture to reach carburetor. Store snow thrower in a safe place. See Warning under STORAGE.

OTHER

- If possible, store your snow thrower indoors with the gas removed and cover it to give protection from dust and dirt.
- If the machine must be stored outdoors, block up the snow thrower to be sure the entire machine is off the ground.
- Cover the snow thrower with a suitable protective cover that does not retain moisture. Do not use plastic or vinyl.

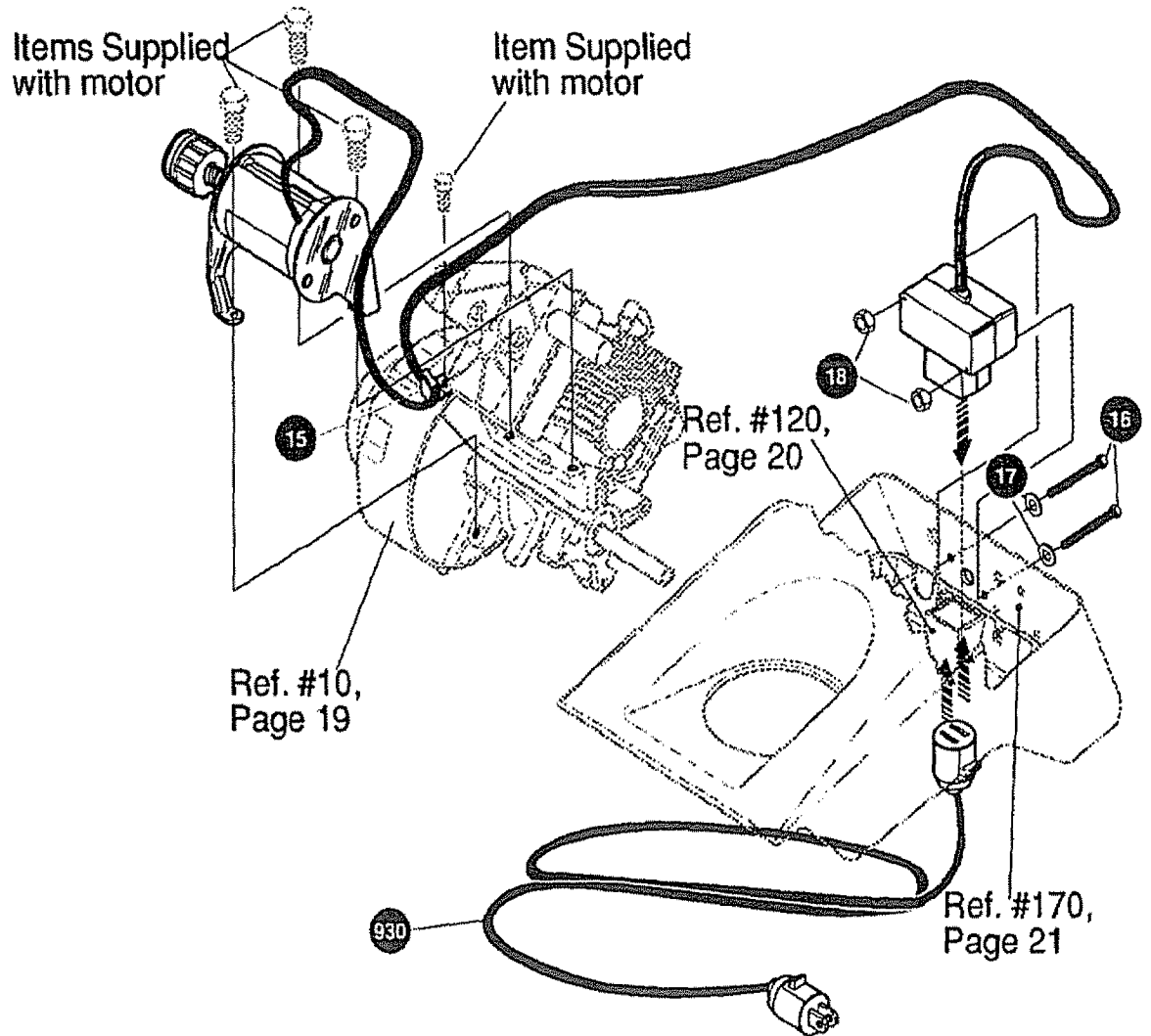
NOTE: A yearly checkup or tune-up at a **SEARS** Service Center is a good way of ensuring that your snow thrower will provide maximum performance for the next season.



TROUBLE SHOOTING

TROUBLE	CAUSE	CORRECTION
Difficult starting	Defective spark plug	Replace defective plug
Engine stalls	Unit running on CHOKE	Move choke lever to OFF position
Engine runs erratically or Loss of power	Blocked fuel line or low on fuel Water or dirt in fuel system Carburetor out of adjustment	Clean fuel line; check fuel supply; add fresh gasoline (gasoline/oil mixture if 2-cycle engine) Use carburetor bowl drain to flush and refill with fresh fuel See carburetor adjustment section in this manual
Excessive vibration	Loose parts; damaged impeller Damaged auger	Stop engine immediately and remove key. Tighten all bolts and make all necessary repairs. If vibration continues, have the unit serviced by a Sears service repairman Repair or replace auger assembly
Units fails to propel itself	Drive belt loose or damaged Incorrect adjustment of auger control cable	Replace drive belt Adjust auger control cable
Unit fails to discharge snow	Auger drive belt loose or damaged Auger control cable not adjusted correctly Discharge chute clogged Foreign object lodged in auger	Adjust auger drive belt; replace if damaged Adjust auger control cable Stop engine immediately and remove key. Clean discharge chute and inside of auger housing Stop engine immediately and remove key. Remove object from auger.

**CRAFTSMAN 21" - 5H.P. SNOW THROWER 536.884681
ELECTRIC START ASSEMBLY**



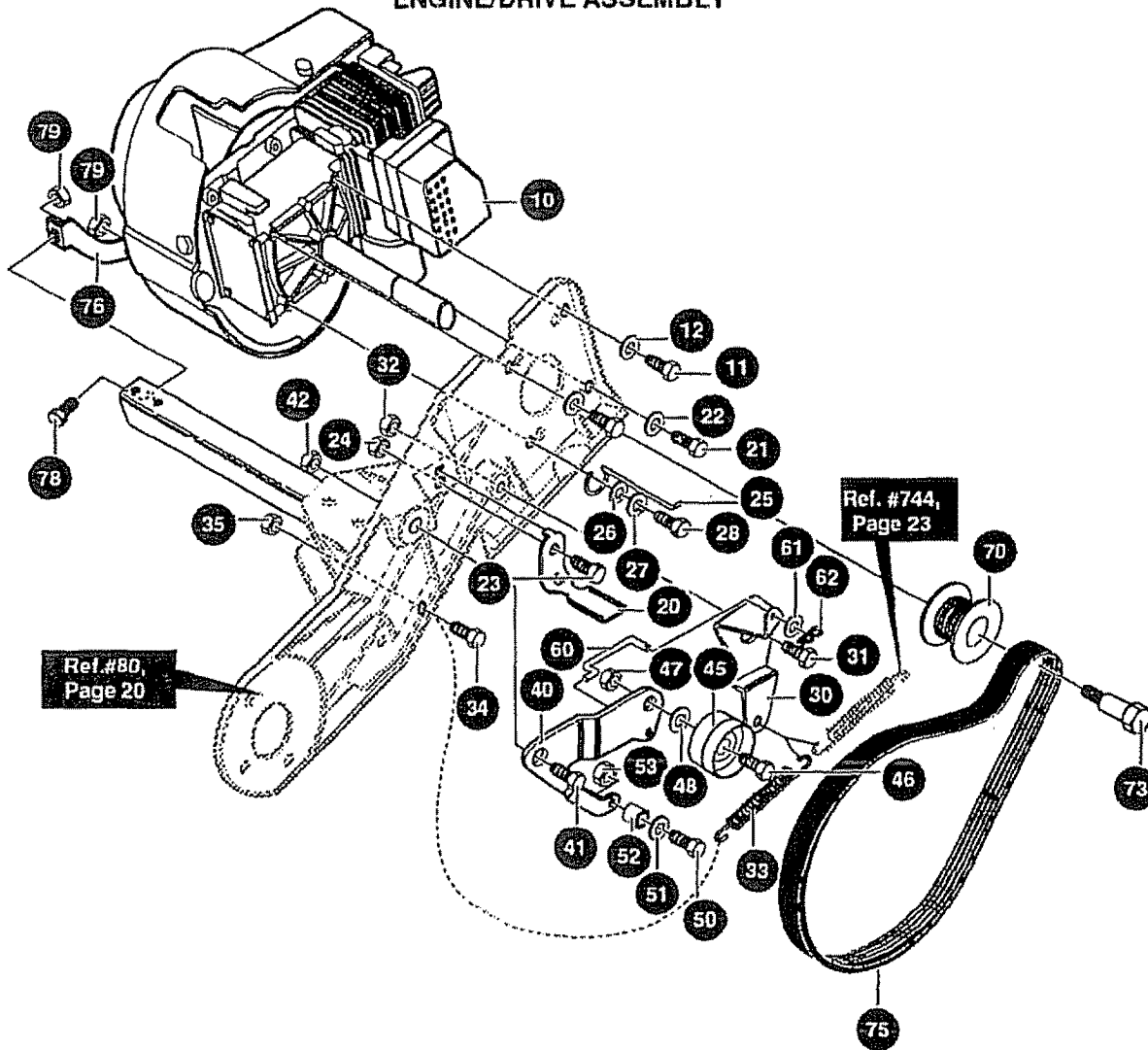
313974A

Note: Always use original equipment parts. Use of service/replacement parts other than original parts may void your warranty.

All unnumbered items are interchangeable with opposite side

REF. NO.	PART NO.	PART NAME
15	57569	Retainer, Wire
16	311633	Screw, #8-23x3.00
17	414106	Washer, Flat .188x.38x.040
18	271163	Nut, #8-32 HexKeys
930	56023	Cord, Extension 10 feet
	340854	Owner's Manual Eng/Sp

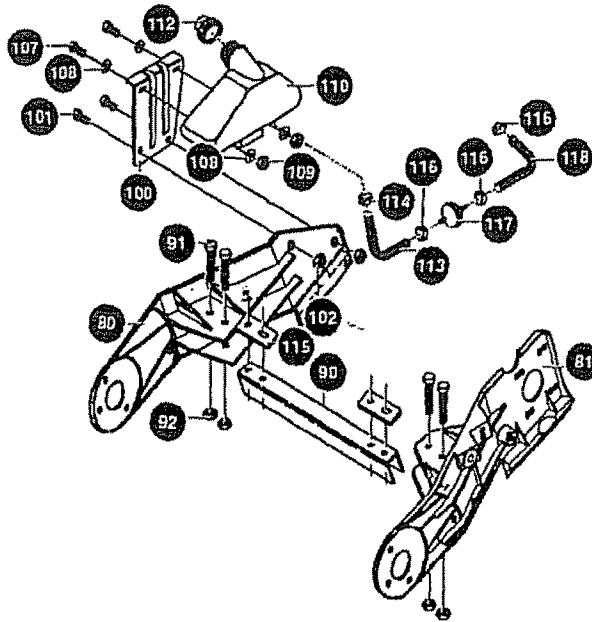
**CRAFTSMAN 21" - 5H.P. SNOW THROWER 536.884681
ENGINE/DRIVE ASSEMBLY**



334339D

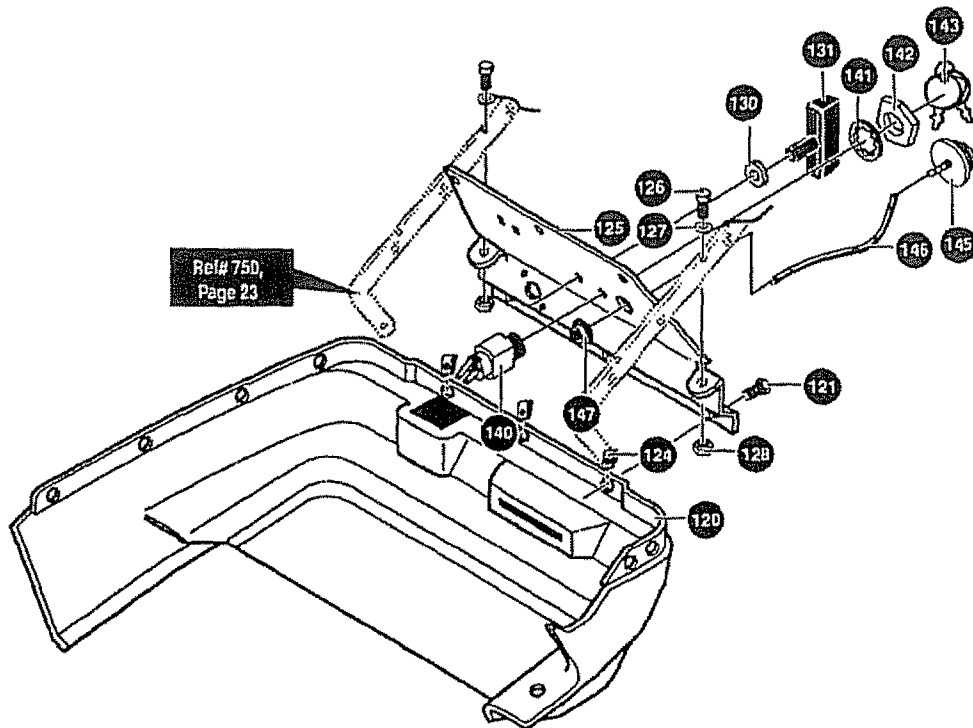
REF. NO.	PART NO.	PART NAME	REF. NO.	PART NO.	PART NAME
10	ENGINE	Engine, Model 143.975071 (See Engine pages)	40	320077	Idler Arm
11	180077	Screw, 5/16-18x.75	41	333594	Shoulder Bolt, 5/16-18
12	120638	Washer, Hvsptlk	42	1498	Nut, 5/16-18 Reghexctrk
20	333970	Brake Pad	45	48924	Idler Pulley
21	180077	Screw, 5/16-18x.75	46	302637	Screw, 3/8-16x1.50
22	120638	Washer, Hvsptlk	47	41529	Nut, 3/8-16Hexjam
23	180018	Screw, 1/4-20x.62	48	301188	Flatwasher, .378x.75x.08
24	1502	Nut, 1/4-20 Reghexctrk	50	180044	Screw, 1/4-20x2.00 In.
25	334079	Belt Guide	51	120392	Flatwasher, .281x.63x.065
26	120393	Flatwasher .344x.69x.065	52	333914	Roller, Belt Pinch
27	120638	Washer, Hvsptlk	53	1502	Nut, 1/4-20 Reghexctrk
28	180079	Screw, 5/16-18x1.00	60	313436	Rod, Clutch Linkage
30	313444	Idler Pivot Arm	61	414106	Flatwasher, .188x.38x.040
31	333594	Shoulder Bolt, 5/16-18	62	121223	Cotter Pin .062x.75
32	1498	Nut, 5/16-18 Reghexctrk	70	333784	Engine Pulley
33	313473	Extension Spring	73	333805	Bolt, Shoulder .625x.282
34	274707	Screw, 10-24x .50	75	333721	Belt, Poly V
35	997316	Nut, #10-24	76	330544	Bracket, Engine
			78	48901	Screw, 5/16-18x.63 In.
			79	1498	Nut, 5/16-18 Reghexctrk

**CRAFTSMAN 21" - 5H.P. SNOW THROWER 536.884681
FRAME ASSEMBLY**



REF. NO.	PART NO.	PART NAME
80	333769-853	Frame, Side RH
81	333767	Frame, Side LH
90	333987	Channel, Frame Support
91	180044	Screw, 1/4-20x2.00
92	1502	Nut, 1/4-20 Reghexctrik
100	333749-853	Bracket, Fuel Tank 1.5 Qt
101	180020	Screw, 1/4-20x.75
102	1502	Nut, 1/4-20 Reghexctrik
107	180020	Screw, 1/4-20x.75
108	120392	Flatwasher .281x.63x.065
109	1502	Nut, 1/4-20 Reghexctrik
110	333739	Fuel Tank 1.5 Qt
112	340300	Fuel Cap 40:1
113	323363	Gas Tubing 8 Inches
114	47345	Hose Clamp
115	335351	Plate, Bolting Support
116	323387	Hose Clamp
117	56679	Filter, In-Line
118	335906	Tubing, 6 inches

333966E



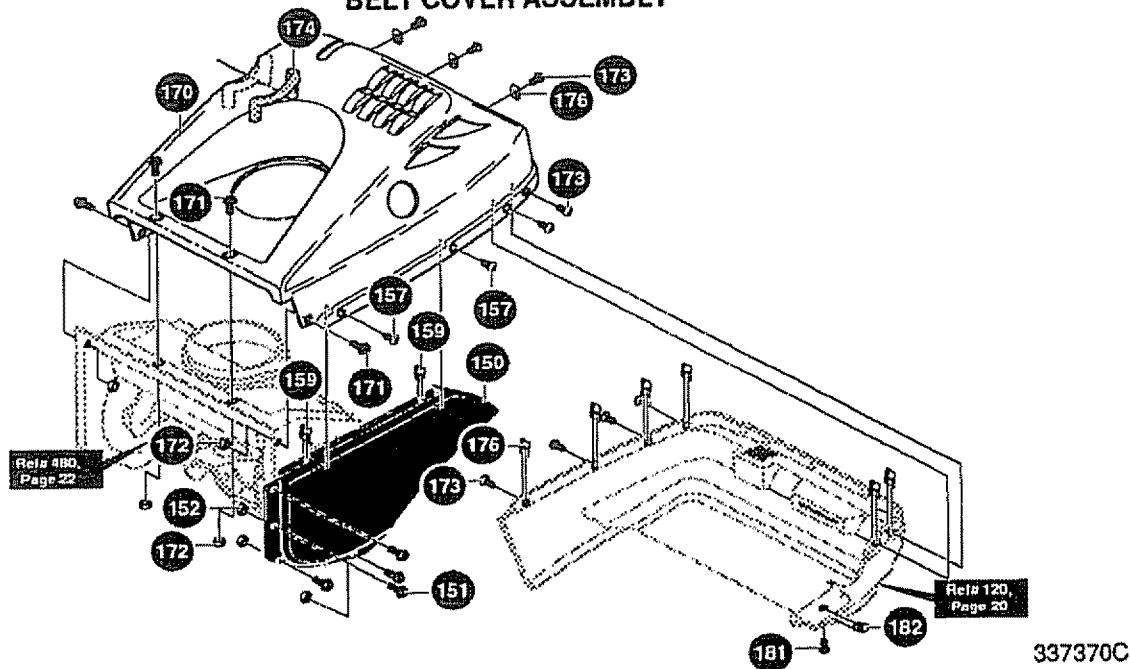
333966E

REF. NO.	PART NO.	PART NAME
120	340097	Bottom Cover
121	56021	Screw, 1/4-14x.75 Slwatap
124	578109	Nut, 1/4-20 Speed J Type
125	334298-853	Panel, Control
126	180024	Screw, 1/4-20x1.25
127	120392	Flatwasher .281x.63x.065
128	1502	Nut, 1/4-20 Reghexctrik
130	57587	Grommet & Washer

REF. NO.	PART NO.	PART NAME
131	333643	Knob, Stand Tee
140	56992	Switch, Ignition
141	138557	Washer, Regintlk
142	48140	Nut, 5/8-32, Ign. Switch
143	49643	2 Keys & Ring Assy
145	54601	Primer, Engine
146	335507	Hose, Primer 9.50Lg
147	271172	Nut, 1/4-20 Reghexkeys

CRAFTSMAN 21" - 5H.P. SNOW THROWER 536.884681

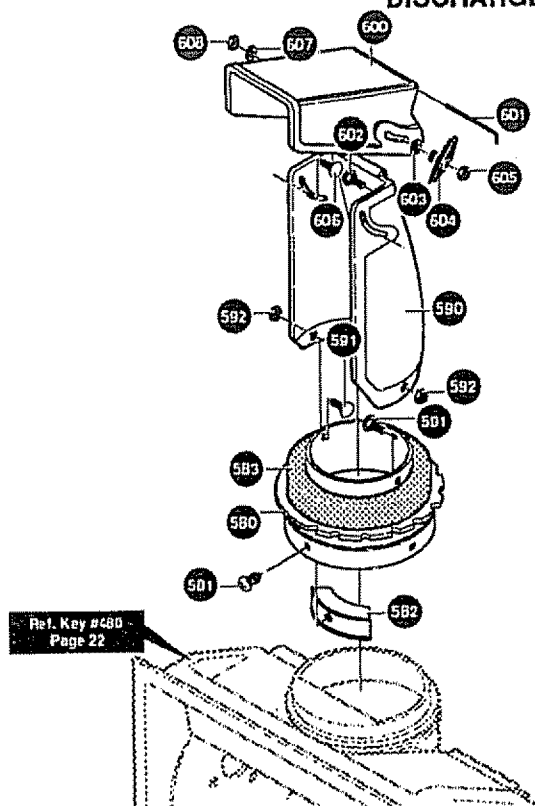
BELT COVER ASSEMBLY



REF. NO.	PART NO.	PART NAME
150	340089	Belt Cover
151	274707	Screw 10-24x.50 Wahhma
152	997316	Nut, #10-24 Reghexctrik
157	56021	Screw 1/4-14x.75 Siwatap
159	578109	Nut, 1/4-10 Speed J Type
170	340098	Cover, Top
171	274707	Screw, 10-24x.5Wahhma
172	997316	Nut, #10-24 Reghexctrik

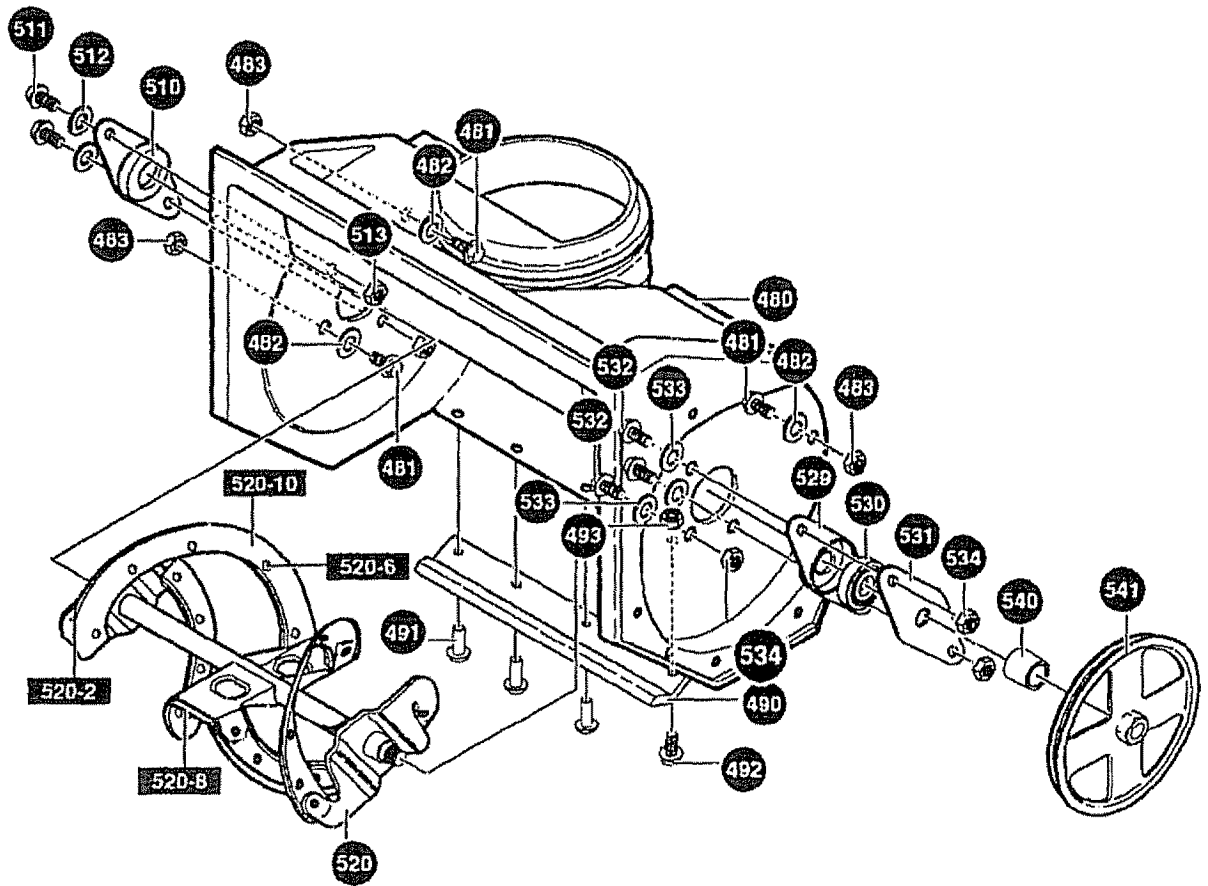
REF. NO.	PART NO.	PART NAME
173	56021	Screw, 1/4-14x.75 Siwatap
174	55380	Seal, Strip Aug Chute Foam
176	578109	Nut, 1/4-10 Speed J Type
181	56021	Screw, 1/4-14x.75 Siwatap
182	578109	Nut, 1/4-10 Speed J Type

DISCHARGE CHUTE ASSEMBLY



REF. NO.	PART NO.	PART NAME
580	333859	Ring, Chute
581	300302	Screw, #10x.50 Tap
582	577021	Guide, Chute
583	337166	Seal Strip
590	334234	Lower Chute
591	180016	Nut, 1/4-20 x.50
592	46931	Nut, 1/4-20 Mac-lock
600	325847	Upper Chute
601	308931	Wire, Hinge
602	302843	Carriage Bolt 5/16-18x1.25
603	120393	Flatwasher .344x.69x.065
604	13527	Knob, T
605	120376	Nut, 5/16-18 Reghex
606	578088	Screw, 5/16-18x.75
607	120393	Flatwasher .344x.69x.065
608	1498	Nut, 5/16-18 Reghexctrik

**CRAFTSMAN 21" - 5H.P. SNOW THROWER 536.884681
AUGER HOUSING ASSEMBLY**



REF. NO.	PART NO.	PART NAME
480	340091	Auger Housing Assy.
481	180020	Screw, 1/4-20x.75
482	120392	Flatwasher, .281x.63x.065
483	1502	Nut, 1/4-20 Reghexctrik
490	55323	Scraper Blade
491	577707	Rivet, Ovset
492	180020	Screw 1/4-20x.75
493	46931	Nut, 1/4-20 Mac-lock
510	577023	Bearing, Flange
511	180021	Screw 1/4-20x.88
512	120392	Flatwasher .281x.63x.065
513	46931	Nut, 1/4-20 Mac-Lock
520	327072	Auger Assembly
520-2	302565	Blade, Auger
520-6	49838	Rivet, Ovset
520-8	335993	Blade, Center
520-10	309376-853	Auger & Blade Assy
529	580251	Retainer, Bearing
530	43846	Bearing, Ball
531	334287	Bearing Retainer
532	180018	Screw 1/4-20x.62
533	120392	Flatwasher .281x.63x.065
534	1502	Nut, 1/4-20 Reghexctrik
540	578101	Spacer, Sleeve.640x.88x.15
541	333446	Pulley, Poly 6"

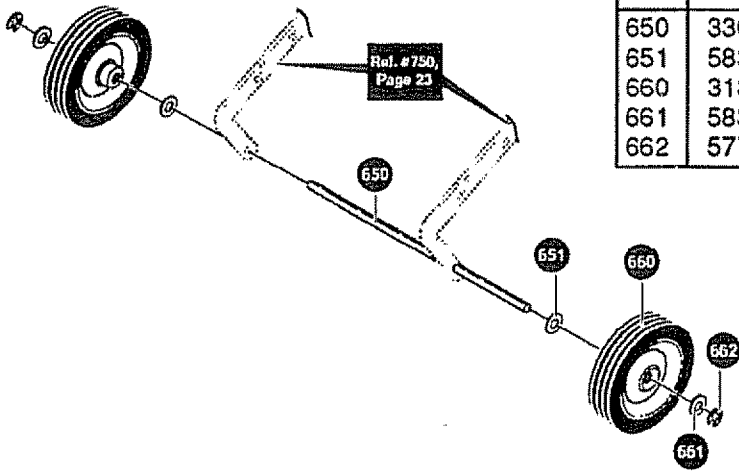
333969C

CRAFTSMAN 21" - 5H.P. SNOW THROWER 536.884681

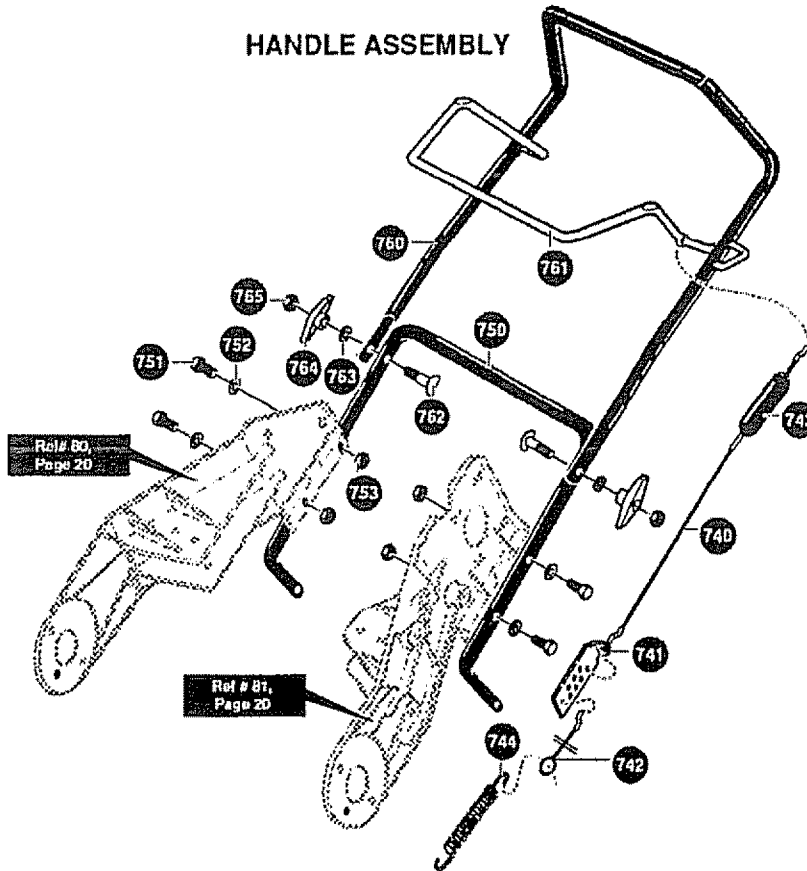
WHEEL ASSEMBLY

REF. NO.	PART NO.	PART NAME
650	330752	Axle, Shaft
651	583409	Flatwasher .391x1.00x.125
660	313962	Tire & Rim 7x1.50
661	583409	Flatwasher .391x1.00x.125
662	577598	Ring, Retaining

335418B



HANDLE ASSEMBLY



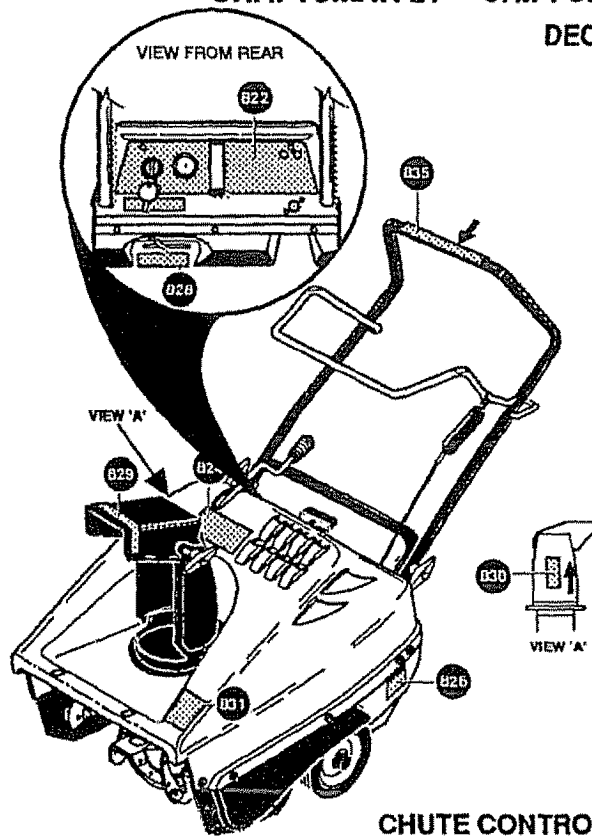
REF. NO.	PART NO.	PART NAME
740	337181	Cable, Upper Control
741	313441	Bracket, Cable Adjust
742	313448	Cable, Lower Control
743	308146	Boot, Clutch Spring
744	313471	Spring, Extension
750	333909-853	Lower Handle
751	180024	Screw 1/4-20x1.25
752	120392	Flatwasher .281x.63x.065

REF. NO.	PART NO.	PART NAME
753	1502	Nut, 1/4-20 Reghexctrlk
760	335328-853	Upper Handle
761	335329-853	Control Bail
762	337584	Bolt, 5/16-18x2.00 CUH
763	22025	Formed Washer
764	13527	Knob, T 2Blade 5/16-18 Nut
765	120376	Nut, 5/16-18 Reghex

337372B

CRAFTSMAN 21" - 5H.P. SNOW THROWER 536.884681

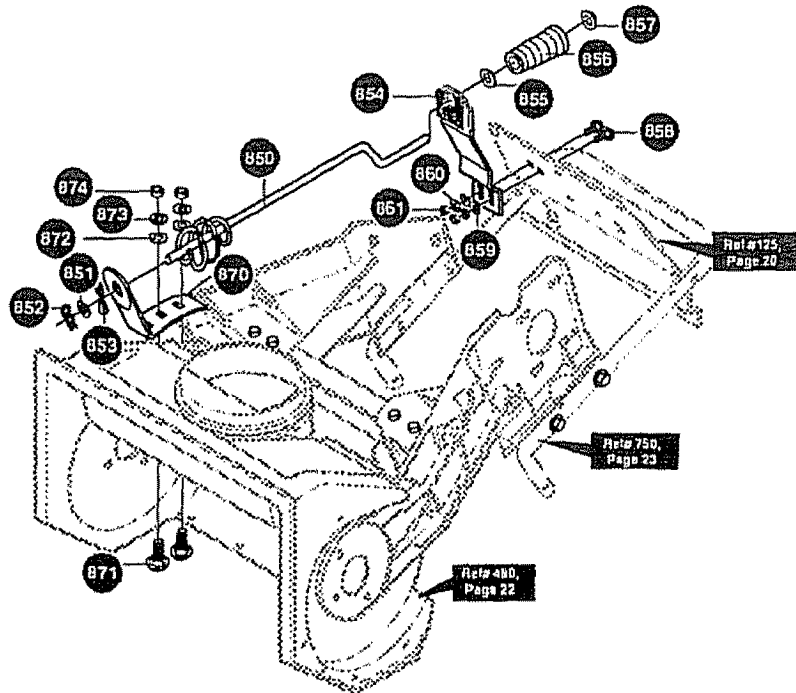
DECALS



REF. NO.	PART NO.	PART NAME
822	402633	Decal, Dash ES
824	402898	Decal, 5/21" Elect. Start
826	69880	Decal, Warn Hot Muffler
828	318494	Decal, Choke
829	308768	Decal, Dang Stripe
830	313892	Danger Chute Decal
831	70141	Decal, Danger Auger
835	337524	Decal, Auger Control Bar

337371D

CHUTE CONTROL ROD ASSEMBLY

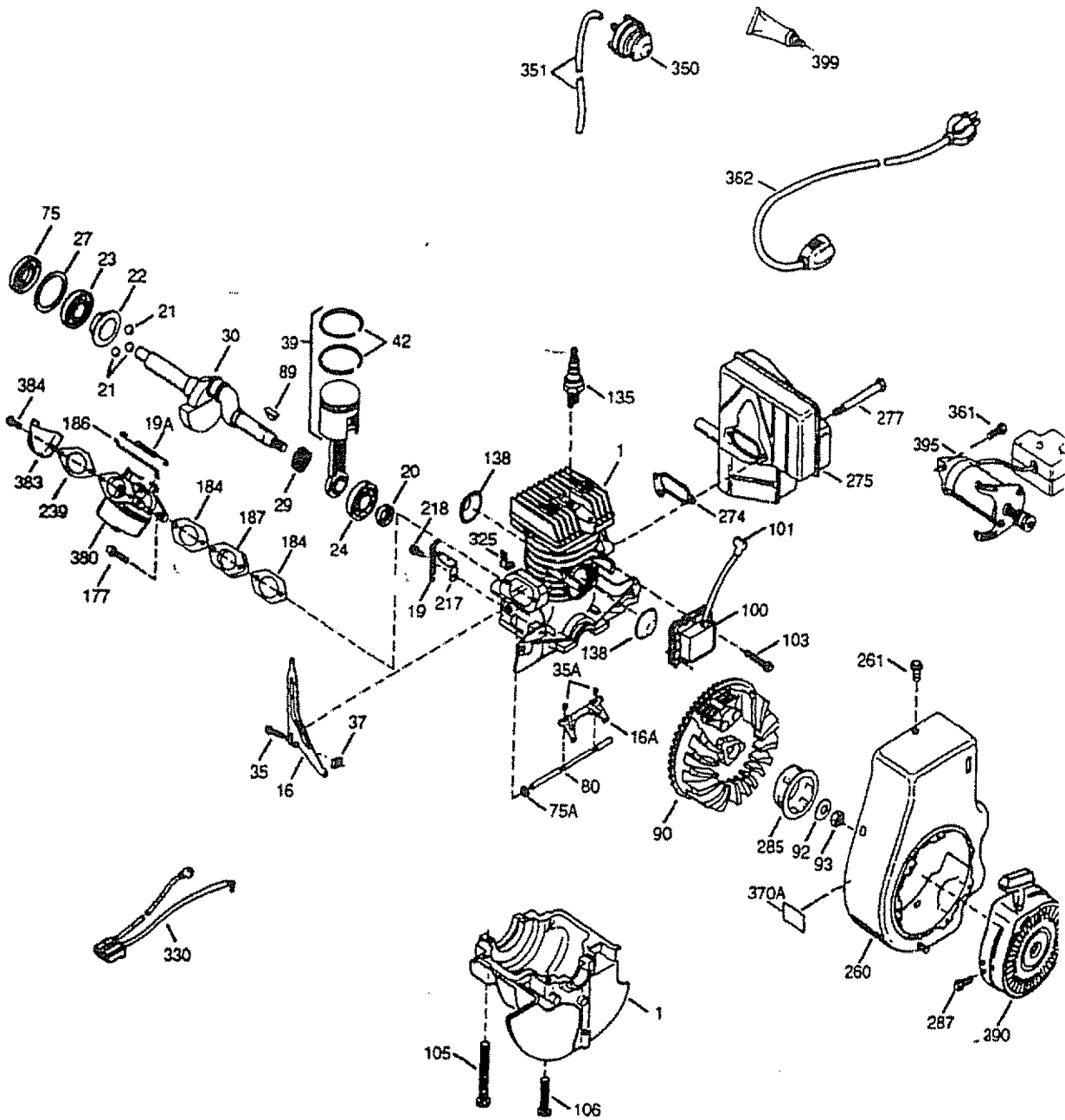


REF. NO.	PART NO.	PART NAME
850	337941	Chute Rod Assembly
851	120394	Flatwasher .406x.81x.065
852	121224	Cotter Pin .094x1.00
853	313431	Washer, Curved Spring
854	335264	Chute Crank Brkt Assy
855	120394	Flatwasher .406x.81x.065
856	57082	Knob, Sleeve
857	331532	Nut, Push
858	3809	Carr. Bolt 1/4-20x.63

REF. NO.	PART NO.	PART NAME
859	120393	Flatwasher .344x.69x.065
860	120638	Washer, Hvspitk
861	120375	Nut, 1/4-20 Reghex
870	333946-853	Chute Rotate Bracket
871	70993	Carr. Bolt, 5/16-18x.75
872	120393	Flatwasher .344x.69x.065
873	120638	Washer, Hvspitk
874	120376	Nut, 5/16-18 Reghex

334313C

CRAFTSMAN 2-CYCLE ENGINE MODEL NUMBER: 143.975071

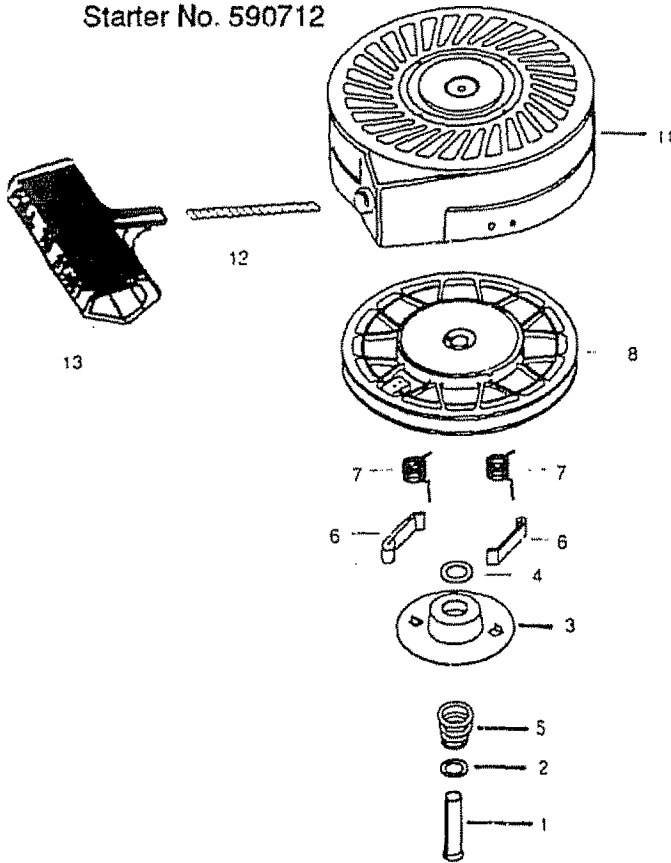


CRAFTSMAN 2-CYCLE ENGINE MODEL NUMBER: 143.975071

Ref.#	Part No.	Description
1	250296A	Cylinder (Incl 75A,105,106,138)
16	490317	Governor Lever
16A	490304	Governor Lever
19	490325	Extension Spring
19A	490318	Throttle Link Spring
20	510340	Oil Seal
21	570673	Ball Bearing
22	510338	Slide Ring
23	530158	Ball Bearing
24	530161	Ball Bearing
27	530159	Bearing Retainer
29	530164	Bearing Strip (31 Needles)
30	290627	Crankshaft
35	29826	Screw, 10-32 x 3/4"
35A	650506	Screw, 4-40 x 1/4"
37	29216	Lock Nut, 10-32
39	310277B	Piston & Rod Assy (Incl. 29&42)
42	310278	Ring Set
75	510339	Oil Seal
75A	510337	Oil Seal
80	490305	Governor Shaft
89	611191	Flywheel Key
90	611192	Flywheel
92	650815	Belleville Washer
93	650816	Flywheel Nut
100	34443A	Solid State Ignition
101	610118	Spark Plug Cover
103	651007	Screw, Torx T-15, 10-24,x15/16
105	650892	Screw, 5/16-18 x 2-3/16
106	650891	Screw, 5/16-18 x 1-5/8"
135	611049	Resistor Spark Plug (RCJ8Y)
138	570683	Port Cover
177	650959	Screw, 5/32 Allen, 1/4-20 x 1"
184	51326A	Carburetor Gasket
186	490319	Governor Link
187	570438A	Spacer
217	570667A	Control Lever
218	650847	Screw, 8-32 x 1/2"
239	35815	Air Cleaner Gasket
260	350460	Blower Housing
261	650894	Screw, 5/16-18 x 5/8"
274	510343A	Exhaust Gasket
275	390325	Muffler
277	650893	Screw 5/16-18 x 3-13/64"
285	34449A	Starter Cup
287	650926	Screw 8-32x21/64"
325	29443	Wire Clip
330	611210	Wire Harness
350	570629A	Primer Assy
351	32180C	Primer Line
361	30063	Screw, torx T-30, 1/4-20x1/2"
362	32450B	Extension Cord
370A	36261	Lubrication Decal
380	632732	Carburetor (Incl. 184)
383	570695	Spit Cup
384	650229	Screw, Torx T-25,10-32x3/8"
390	590712	Rewind Starter
<p>This engine could have been built with 590743 starter Refer to the design of the rope pulley strength ribs for part identification. Individual starter parts do not interchange.</p>		
395	590670	Electric Starter Motor
399	510334	Gasket Eliminator (Loctite 515)

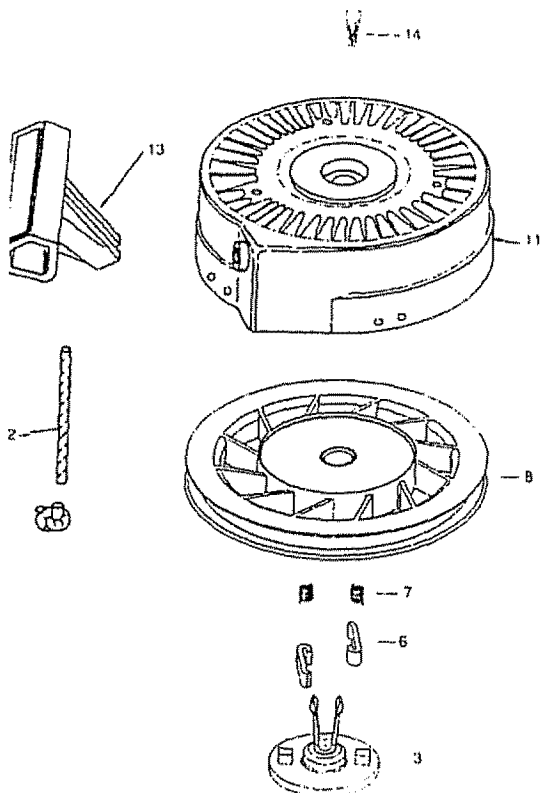
CRAFTSMAN 2-CYCLE ENGINE MODEL NUMBER: 143.975071

Starter No. 590712



REF. NO.	PART NO.	PART NAME
0	590712	Rewind Starter
1	590599A	Spring Pin (Incl. 4)
2	590600	Washer
3	590696	Retainer
4	590601	Washer
5	590697	Brake Spring
6	590698	Starter Dog
7	590699	Dog Spring
8	590709	Pulley & Rewind Sprg Assy
11	590713	Starter Housing Assy
12	590535	Starter Rope (Length 98"x9/64" dia)
13	590701	Starter Handle

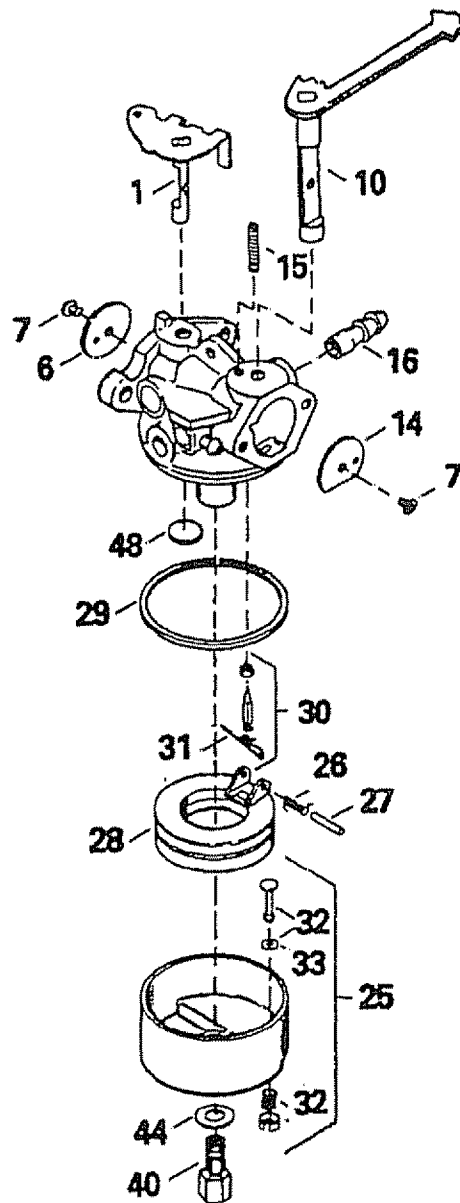
Starter No. 590743(OPTIONAL)



REF. NO.	PART NO.	PART NAME
0	590743	Rewind Starter
3	590740	Retainer
6	590616	Starter Dog
7	590617	Dog Spring
8	590645A	Pulley & Rewind Spring
11	590643	Starter Hsing Assy
12	590535	Starter Rope (Length 98"x9/64" dia.)
13	590701	Starter Handle
14	590741	Locking Tab

CRAFTSMAN 2-CYCLE ENGINE MODEL NUMBER: 143.975071

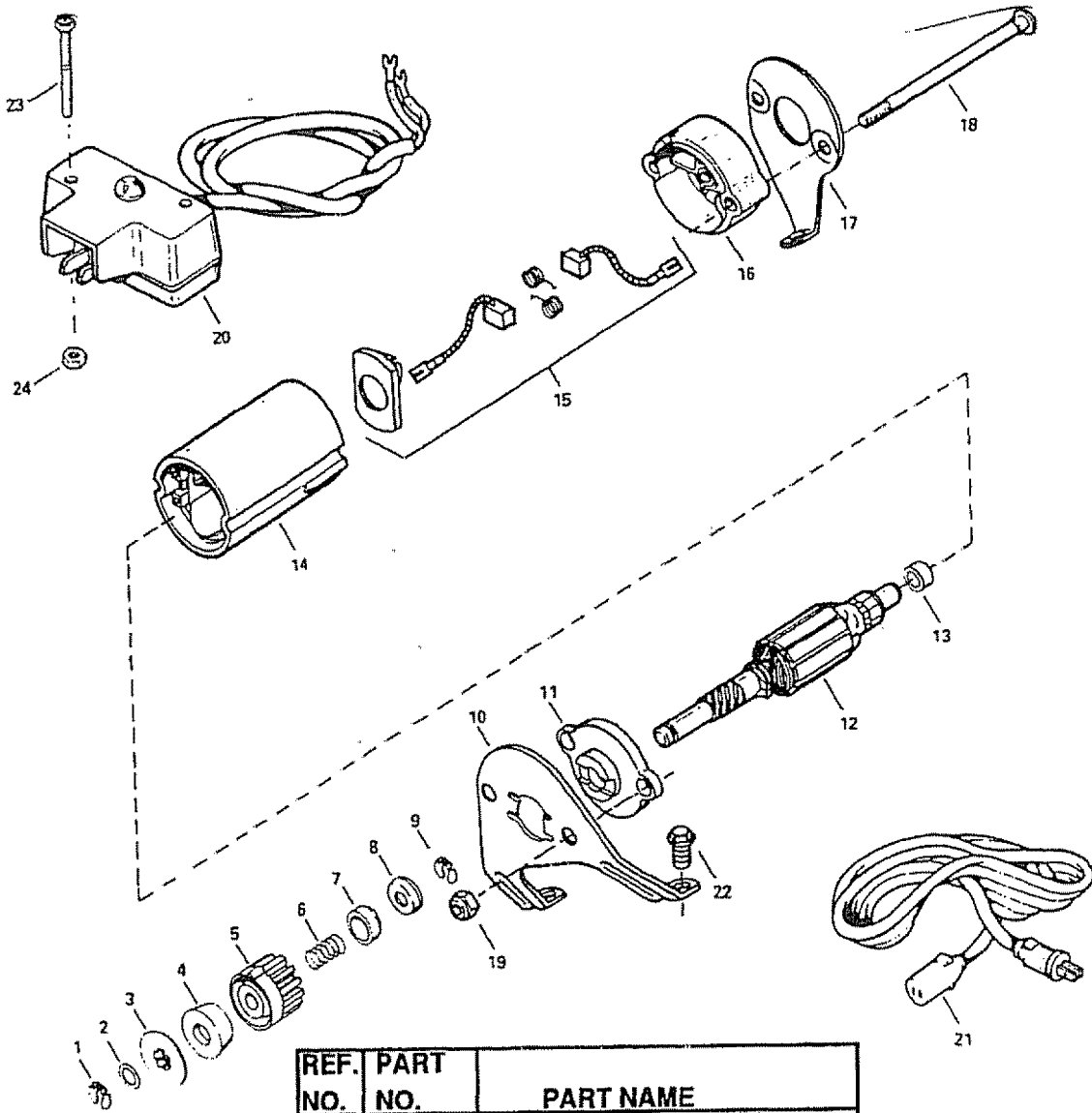
Carburetor No.632732



REF. NO.	PART NO.	PART NAME
0	632732	Carburetor (incl 184 on engine)
1	632538	Throttle Shaft & Lever Ass'y.
6	631621	Throtter Shutter
7	650506	Shutter Screw
10	632734	Choke Shaft & Lever Assy
14	631815	Choke Shutter
15	630735	Choke Positioning Spring
16	632164	Fuel Fitting
25	631951	Float Bowl Assy (Incl 32&33)
26	632386	Float Dampening Spring
27	631024	Float Shaft
28	632019	Float
29	631028	Float Bowl "O" Ring
30	631021	Inlet Needle, Seat & Clip (Incl 31)
31	631022	Spring Clip
32	27136A	Bowl Drain Assembly
33	27554	Drain Plunger Gasket
40	632682	High Speed Bowl Nut)
44	27110	Bowl Nut Washer
48	631027	Welch Plug, Atmospheric Vent

CRAFTSMAN 2-CYCLE ENGINE MODEL NUMBER: 143.975071

Starter Motor No. 590670



REF. NO.	PART NO.	PART NAME
0	590670	Electric Starter (110 Volt)
1	34942	Retainer Ring
2	590608	Dust Washer
3	34953	Pinion Driver
4	590644	Anti-drift Spring
5	34949A	Gear
6	590654	Anti-drift Spring
7	34950	Spring Retainer
8	34951	Cup Washer
9	35955	Retainer Ring
10	590674	Drive End Mounting Bracket
11	590675	Drive End Cap Assy
12	590676	Armature
13A	590677	Thrust Spacer
14	590659	Housing Assy
15	590587	Brush & Spring Card Assy
16	590660	Commutator End Cap Assy
17	590661	Commutator End Mounting Bkt
18	590662	Case Bolt
19	33450	Lock Nut
20	590663	Switch Box & Lead Assy
21	32450B	Extension Cord (10'6")
22	30063	Screw, Torx T-30, 1/4-20 x 1/2"
23	650819	Screw, 6-32 x 2-1/2"
24	650742	Nut & Washer Assy.

REMOVEDORA DE NIEVE (Arranque eléctrico opcional)

TABLA OF CONTENIDOS

Tabla of Contenidos	30	Servicio y Ajustes	40-44
Garantía	30	Almacenamiento	45
Reglas de Seguridad	30-31	Solucion de Problemas	46
Contenido del paquete con articulos	33	Partes de Repuesto	18-24
Montaje	33	Partes de Motor	25-29
Operacion	34-39	Orden de Partes Servicio	Contratapa
Mantenimiento	39-40		

GARANTIA

GARANTIA LIMITADA DE DOS AÑOS SOBRE LA REMOVEDORA DE NIEVE CRAFTSMAN

Durante dos años a partir de la fecha de compra, cuando esta Removedora de nieve Craftsman sea mantenida, lubricada y afinada de acuerdo con las instrucciones en el manual del propietario, SEARS reparará, sin recargo alguno, cualquier defecto en materiales y mano de obra.

Si esta Removedora de nieve Craftsman se usa para propósitos comerciales o de arrendamiento, esta garantía es válida durante 90 días a partir de la fecha de compra.

Esta garantía no cubre lo siguiente:

- Elementos fungibles los cuales se gastan durante el uso normal, tales como bujías, correas de transmisión y clavijas de seguro por esfuerzo cortante.
- Reparaciones necesarias debido al abuso o negligencia del operador, incluyendo cigüeñales doblados y la falta de mantenimiento del equipo de acuerdo con las instrucciones contenidas en el manual del propietario.

EL SERVICIO DE GARANTIA SE PUEDE OBTENER AL DEVOLVER LA REMOVEDORA DE NIEVE CRAFTSMAN AL CENTRO/DEPARTAMENTO DE SERVICIO SEARS MAS CERCANO EN LOS ESTADOS UNIDOS. ESTA GARANTIA ES VALIDA SOLO CUANDO ESTE PRODUCTO SEA USADO EN LOS ESTADOS UNIDOS.

Esta garantía le otorga derechos legales específicos, y asimismo es posible que tenga otros derechos los cuales varían de estado a estado.

Sears, Roebuck and Co., D817WA, Hoffman Estates, IL 60179



REGLAS DE SEGURIDAD



Busque este simbolo para destacar precauciones de seguridad importantes. Esto significa---ATENCIÓN!!! Este!!! U seguridad esta de por medio.



PRECAUCION: Siempre desconecte el alambre de la bujía y colóquelo donde no haga contacto con bujía para evitar un arranque accidental al montar, transportar, ajustar o efectuar reparaciones.

IMPORTANTE: Los estándares de seguridad requieren la presencia del operador en los controles para minimizar el riesgo de heridas. Su removedora de nieve esta equipada con dichos controles. No intente pasar por alto la función del control de presencia del operador bajo ninguna circunstancia.

CAPACITACION

1. Lea el manual del operador cuidadosamente.
Familiarícese completamente con los

controles y el uso apropiado de la removedora de nieve. Sepa cómo detener la removedora de nieve y desenganchar los controles rápidamente.

2. Nunca permita a niños operar la removedora de nieve y manténgalos fuera del alcance de la misma mientras se encuentra en operación. Nunca permita que adultos operen la removedora de nieve sin instrucción apropiada. No lleve pasajeros.
3. Mantenga el área libre de personas, especialmente niños pequeños y mascotas.
4. Tenga precaución a fin de evitar deslizamientos o caídas, especialmente

al operar la removedora de nieve en retroceso.

PREPARACION

1. Inspeccione completamente el área donde se usará la removedora de nieve y retire todas las esteras, trineos, tableros, alambres, y otros objetos extraños.
2. Desenganche todos los embragues y cambie a neutro antes de arrancar el motor.
3. No opere la removedora de nieve sin vestir las prendas de invierno adecuadas para ambientes exteriores. Vista calzado que mejore su estabilidad en superficies lisas.
4. Maneje el combustible con cuidado; es altamente inflamable.
 - (a) Use un contenedor para combustible aprobado.
 - (b) Nunca retire la tapadera del tanque de combustible o añada combustible a un motor en marcha o a un motor caliente.
 - (c) Llene el tanque para combustible al aire libre, con cuidado extremo. Nunca llene el tanque en ambientes interiores.
 - (d) Coloque nuevamente la tapadera del tanque para combustible de manera segura y limpie el combustible derramado.
 - (e) Nunca almacene combustible o la removedora de nieve con combustible en el tanque dentro de un edificio donde los vapores pudiesen entrar en contacto con una llama desprotegida o una chispa.
 - (f) Verifique las existencias de combustible antes de cada uso, permitiendo espacio para expansión puesto que el calor del motor y/o el sol pueden causar la expansión del combustible.
5. Use cables de extensión y receptáculos de la manera especificada por el fabricante para todas las removedoras de nieve con motores accionados por energía eléctrica o motores de arranque eléctrico.
6. Ajuste la altura de la removedora de nieve para pasar sobre superficies de grava o piedra triturada.
7. Jamás intente efectuar ningún ajuste mientras el motor se encuentra en

marcha (excepto cuando el fabricante lo recomiende así específicamente).

8. Permita que el motor y la removedora de nieve se ajusten a las temperaturas exteriores antes de comenzar a retirar la nieve.
9. Siempre use gafas de seguridad o protectores para los ojos durante la operación o mientras se efectúa un ajuste o reparación para proteger sus ojos de objetos extraños que pudiesen ser lanzados por la removedora de nieve.

OPERACION

1. No coloque las manos o los pies cerca o bajo piezas rotativas. Manténgase a distancia de la abertura para descarga todo el tiempo.
2. No opere esta máquina si está tomando drogas u otras medicinas que pudiera causar somnolencia o que pudieran afectar su habilidad para operar esta máquina.
3. No opere esta máquina si su estado emocional o físico no le permite operaria con seguridad.
4. Tenga precaución extrema al operar sobre o al cruzar caminos, aceras, o calles de grava. Manténgase alerta en caso de peligros ocultos o tráfico.
5. Después de golpear un objeto extraño, pare el motor, retire el alambre de la bujía, desconecte el cable en motores eléctricos, inspeccione completamente la removedora de nieve a fin de encontrar cualquier daño, y reparar dicho daño antes de arrancar y operar la removedora de nieve nuevamente.
6. En el caso de que la removedora de nieve comience a vibrar fuera de lo normal, pare el motor y revise la máquina inmediatamente para encontrar la causa. Generalmente, la vibración es una advertencia de problemas.
7. Pare el motor dondequiera que deje la posición de operación, antes de desobstruir el alojamiento del barreno/propulsor o guía de descarga, y cuando efectúe cualesquiera reparaciones, ajustes, o inspecciones.
8. Al limpiar, reparar, o inspeccionar la máquina asegúrese de que el barreno/propulsor y toda parte móvil se hayan detenido. Desconecte el alambre de la bujía y manténgalo alejado de la bujía para evitar un arranque accidental.

9. No ponga en marcha el motor en ambientes interiores, excepto al arrancar el motor y para transportar la removedora de nieve hacia adentro o hacia afuera del edificio. Abra las puertas exteriores; el humo del escape es peligroso (contiene MONOXIDO DE CARBONO, un GAS INODORO y LETAL).
10. No limpie nieve perpendicularmente a la dirección de pendientes. Tenga precaución al cambiar de dirección en pendientes. No intente limpiar pendientes pronunciadas.
11. Nunca opere la removedora de nieve sin que los resguardos, placas u otros dispositivos de seguridad se encuentren en su lugar.
12. Nunca opere la removedora de nieve cerca de recintos de vidrio, automóviles, huecos de ventanas, sitios de carga/descarga, y similares sin el ajuste apropiado del ángulo de descarga de la nieve. Mantenga niños y mascotas alejados.
13. No sobrecargue la capacidad de la máquina al intentar limpiar nieve a una velocidad demasiado rápida.
14. Nunca opere la removedora de nieve a altas velocidades de transporte sobre superficies resbalosas. Mire hacia atrás y tenga cuidado al retroceder.
15. Nunca descargue directamente sobre espectadores ni permita a nadie frente a la removedora de nieve.
16. Desenganche la fuerza motriz al barreno/propulsor cuando la removedora de nieve sea transportada o esté fuera de uso.
17. Utilice únicamente aditamentos y accesorios aprobados por el fabricante de la removedora de nieve (tales como cadenas antiderrapantes para las llantas, juegos de arranque eléctrico, etc.).
18. Nunca opere la removedora de nieve sin buena visibilidad o iluminación. Siempre esté seguro de su estabilidad, y mantenga un agarre firme de las manijas. Camine; jamás corra.

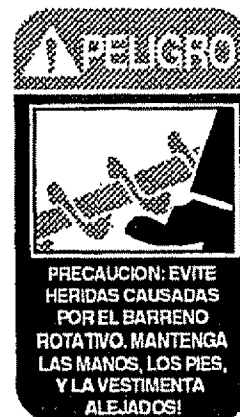
MANTENIMIENTO Y ALMACENAMIENTO

1. Revise los pernos de seguro por esfuerzo cortante y otros pernos que frecuentemente no están apretados

- adecuadamente para asegurarse de que la removedora de nieve está en condiciones seguras de trabajo.
2. Nunca almacene la removedora de nieve con combustible en el tanque para combustible dentro de un edificio en el cual se encuentran presentes fuentes de ignición tales como agua caliente y calentadores de espacio, secadoras de ropa, y similares. Permita que el motor se enfríe antes de almacenarlo en cualquier recinto.
3. Siempre refiérase a las instrucciones del manual del operador para consulta de los detalles importantes si la removedora de nieve será almacenada durante un período de tiempo prolongado.
4. Mantenga o coloque de nuevo las etiquetas de seguridad e instrucciones, de acuerdo a lo que sea necesario.
5. Mantenga la removedora de nieve en marcha unos cuantos minutos después de tirar la nieve para evitar el congelamiento del barreno/propulsor.

⚠ ADVERTENCIA: Esta removedora de nieve se usa para aceras, caminos de entrada, y otras superficies de terreno planas. Se debe tener mucha PRECAUCION al utilizarla en superficies con pendiente pronunciada. NO USAR LA REMOVEDORA DE NIEVE SOBRE SUPERFICIES POR ENCIMA DEL NIVEL DEL TERRENO, tales como techos de residencias, cocheras, porches u otras de tales estructuras o edificios.

⚠ ADVERTENCIA: Las emanaciones de escape producidas por este motor contienen químicos reconocidos por el Estado de California como carcinógenos, también pueden producir defectos en los recién nacidos o causar otros daños al sistema reproductivo.

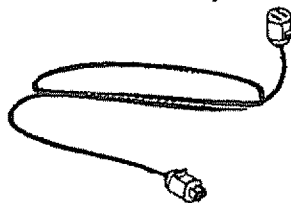


Contenido de la bolsa con las partes



- 1 - Envase Craftsman de 100cc(3.2 oz) de aceite de 2 tiempos

- 1 - Manuel del Dueño (no muestra)
1 - Bolsa con las partes (no muestra)



- 1 - Cuerda del arrancador eléctrico 10 ft.

MONTAJE

⚠ PRECAUCION: Siempre use gafas protectoras o protectores para los ojos cuando monte la removedora de nieve.

HERRAMIENTAS REQUERIDAS PARA EL MONTAJE

- 1 - Navaja (para cortar cartón y ataduras plásticas)

La figura derecho muestra la removedora de nieve completamente montada.

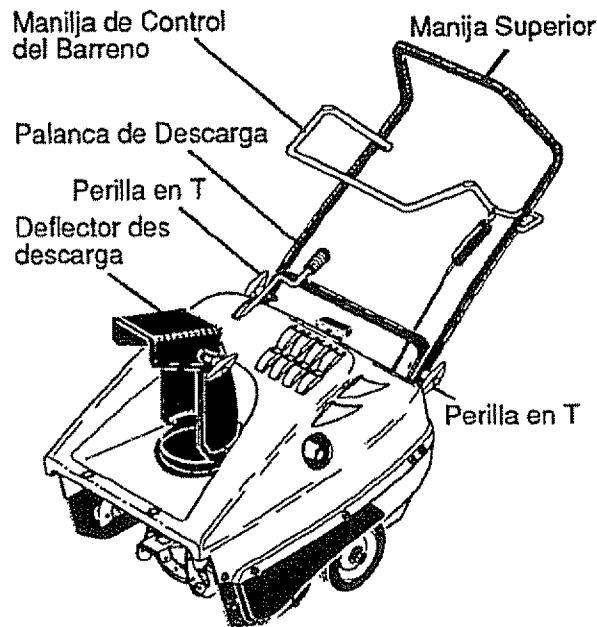
La referencia de los lados derecho e izquierdo de la removedora de nieve se hace desde la posición del operador en la manija.

PARA RETIRAR LA REMOVEDORA DE NIEVE DE LA CAJA

- Localice e remueva el aceite de 2 tiempos Craftsman.
- Remueva los separadores colocados alrededor de la unidad y el material de embalaje.
- Corte las cuatro esquinas de la caja de cartón y extienda los paneles.
- Saque la removedora de nieve de la caja de cartón.

PARA MONTAR LA MANIJA

- Remueva el envoltorio de la manija superior y de los lados de ambas manijas. Tire el envoltorio.
- Afloje los tornillos en forma de T a cada lado de la manija superior. Vea próxima figura.
- Levante la manija superior a la posición de operación como se muestra en la figura. **NOTA:** Mantenga separada la manija superior para evitar que se raye la manija inferior.
- Asegúrese de que el cable del embrague no se encuentra trabado en la manija. Ahora, apriete las perillas en T ubicadas en la manija superior. Apriete los tornillos en forma de T.



✓ LISTA DE REVISION

Antes de operar y disfrutar de su removedor de nieve nuevo, deseamos garantizarle que reciba el mejor rendimiento y la mayor satisfacción de este producto de calidad:

- ✓ Todos las instrucciones para el montaje han sido completadas.
- ✓ El canal de descarga arota libremente.
- ✓ No quedan partes sueltas en la caja de cartón.

Al mismo tiempo que aprende a usar su removedor de nieve, preste atención especial a los items de importancia a continuación:

- ✓✓ Asegúrese que el estanque de gasolina está lleno con la mezcla correcta de gasolina y aceite.
- ✓✓ Familiarícese con todos los controles- su ubicación y función. Opere los controles antes de hacer arrancar el motor.

OPERACION

CONOZCA SU REMOVEDORA DE NIEVE

LEA ESTE MANUAL DEL PROPIETARIO Y LAS REGLAS DE SEGURIDAD ANTES DE OPERAR LA REMOVEDORA DE NIEVE. Compare las ilustraciones con su removedora de nieve para familiarizarse con la posición de los diferentes controles y ajustes. Guarde este manual para una referencia futura.



Arranque Eléctrico



Detencion Ignicion



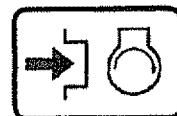
Sobre Ignicion



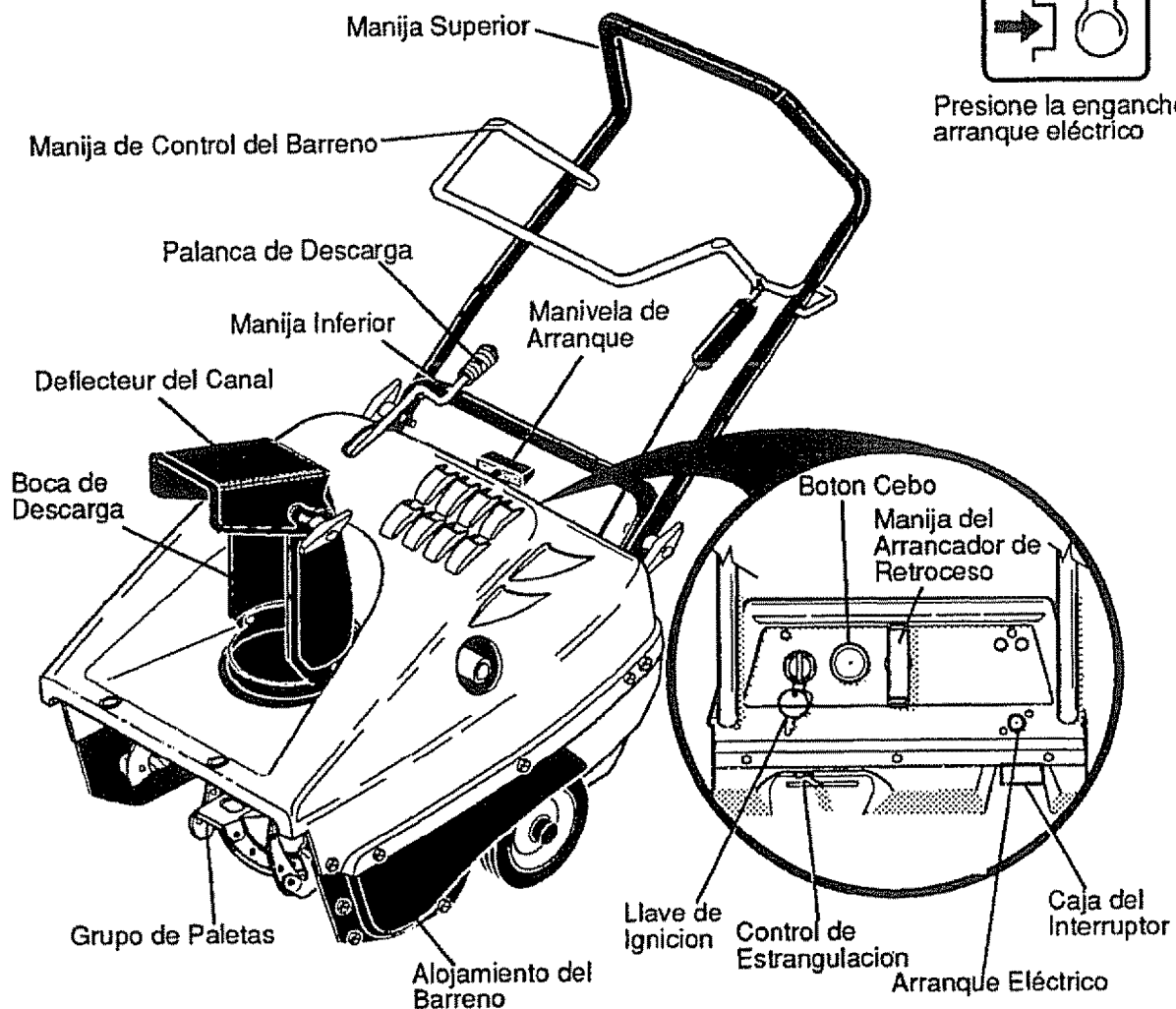
Presion aceite/
Carburante mezcla



Boton Cebo



Presione la enganche
arranque eléctrico



Manija de Control del barreno – Arranca y detiene el barreno que impulsa la removedora de nieve.

Palanca de descarga – Cambia la distancia a la que se tira la nieve.

Desvlador de descarga – Cambia la distancia a la que se tira la nieve.

Boca de descarga – Cambia la dirección a la que se tira la nieve.

Llave de ignicion – Deberá ser insertada para arrancar el motor.

Control de Estrangulacion – Se usa para arrancar un motor frio.

Boton Cebo – Inyecta el combustible directamente dentro del carburador o distribuidor para un arranque rápido en clima frio.

Manivela de Arranque – Arranca el motor manualmente.

Boton de Arranque Electrico – Acciona el arranque eléctrico de 120V que se utiliza para encender el motor.

La operación de cualquier removedora de nieve puede ocasionar que objetos extraños sean lanzados dentro de sus ojos, lo cual podría resultar en daños severos a los ojos. Use siempre gafas de seguridad o protectores para los ojos mientras opere la removedora de nieve. Se recomiendan las gafas de seguridad estándar o la máscara de seguridad de visión amplia para usarla sobre los anteojos disponibles en todas las tiendas SEARS o Center de Servicio SEARS.

⚠ PRECAUCION: Lea el manual del propietario antes de operar la maquina. Nuncas dirija la descarga hacia los peatones. Suelte la palanca del conmutador de control y apague el motor antes de desatascar el canal de descarga o el alojamiento del barreno y antes de dejar la maquina.

COMO USAR SU REMOVEDORA DE NIEVE PARA DETENER SU REMOVEDORA DE NIEVE

- Para parar el barreno o motor, desenganchada manija de control del barreno.

PARA CONTROLAR LA DESCARGA DE NIEVE

- Gire la barra de control del canal para ajustar la dirección de la descarga de nieve.
- Afloje el tornillo de mariposa del deflector para ajustar la distancia. Mueva el deflector hacia "ARRIBA" para una mayor distancia, hacia "ABAJO" para una menor distancia. Después apriete el tornillo de mariposa. Vea figura abajo.

PARA USAR LA ACCION PROPULSORA DEL BARRENO

- Apriete la palanca del conmutador de control hacia abajo contra la manija superior para permitir que el barreno gire.
- Para impulsar hacia adelante, levante la manija para permitir que las hojas del barreno entren en contacto con el suelo (Vea figura abajo).



ANTES DE ARRANCAR EL MOTOR FILL

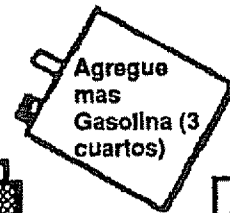
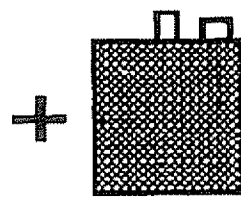
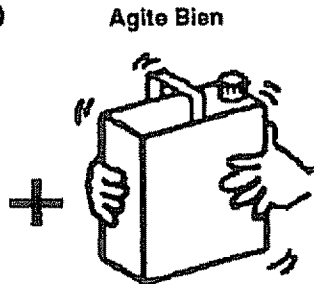
ADVERTENCIA: La experiencia indica que los combustibles mezclados con alcohol (llamado gasohol o usando etanol o metanol) pueden atraer humedad la cual conduce a la separación y formación de ácidos durante el almacenamiento. Los gases acidicos pueden dañar el sistema de combustible de un motor mientras se encuentra en almacenamiento.

Para evitar problemas del motor, el sistema de combustible debe vaciarse antes del almacenamiento durante 30 días o mayor. Arranque el motor y déjelo en marcha hasta que las líneas de combustible y el carburador estén vacíos. Use el drenaje de la vasija del carburador para vaciar la gasolina residual de la cámara del flotador (Vea figura ALMACENAMIENTO pagina 44). Use gasolina fresca la siguiente temporada (Vea "Instrucciones para almacenamiento" para obtener información adicional). Nunca use productos de limpieza de motor o carburador en el tanque de combustible, de lo contrario podría causar daño permanente.

Llene el tanque de combustible con gasolina automotriz limpia, fresca, sin plomo. Asegúrese de que el contenedor desde el cual vierte la gasolina esté limpio y libre de óxido u otras partículas extrañas. Jamas use gasolina caducada debido a largos períodos de almacenamiento en el contenedor.

NO VIERTA EN EL TANQUE GASOLINA PURA, QUIEN NO ESTE MEZCLADA CON ACEITE. AGITE EL RECIPIENTE DE LA MEZCLA COMBUSTIBLE CADA VEZ Y ANTES DE LLENAR EL TANQUE DE LA GASOLINA.

ACEITE
(1/2 taza ó 3.2 cc.)



1 U.S. Recipiente de 4 cuartos

TIPO DE COMBUSTIBLE

El motor a dos tiempos de esta removedora de nieve requiere una mezcla de gasolina y aceite para la lubricación de los cojinetes y otras piezas móviles. Esta mezcla debe guardar una proporción precisa de 40:1 (100cc (3,2 oz) de aceite por 4 litros (1 gal) de gasolina - vea la Tabla de la Mezcla Combustible). La gasolina y el aceite deben ser mezclados en un recipiente limpio antes de verterlos en la unidad. Utilice siempre gasolina nueva y limpia, sin plomo.

TABLA DE LA MEZCLA COMBUSTIBLE (Proporción 40:1)

E.E. UU.		SISTEMA IMPERIAL		SISTEMA METRICO	
GAS	ACEITE	GAS	ACEITE	GAS	ACEITE
1 Gal.	3.2 oz.	1 Gal.	3.7 oz.	4 Litros	100cc

MEZCLA DE GASOLINA Y ACEITE

Mezcla la gasolina y el aceite de la siguiente manera:

- Vierta 1 litro (1 cuarto) de gasolina para automóviles, nueva, limpia y sin plomo, en un recipiente con capacidad suficiente.
- Agregue 100cc (3,2 oz) de aceite de dos tiempos, limpio y de la alta calidad Craftsman (se incluye una lata de aceite de 100cc).

IMPORTANTE: No use aceite para motores fuera de borda, ni aceites para automoviles tales como SAE 30, ni aceites multigrados como 10W-30, 10W40.

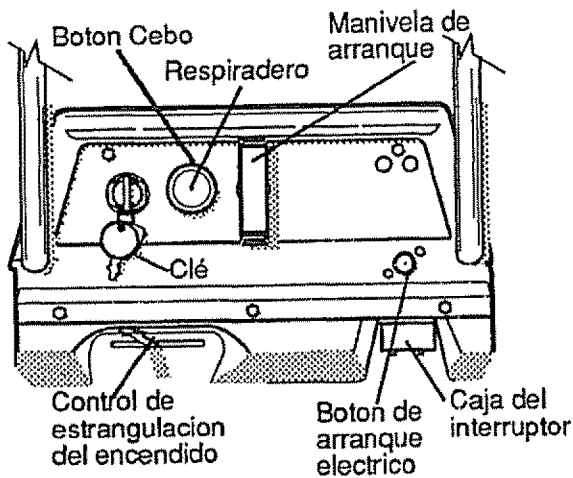
- Tapé el recipiente herméticamente y agítelo vigorosamente para que la gasolina y el aceite se mezclen.
- Añada 3 litros (3 cuartos) más de gasolina en el recipiente y agítelo nuevamente.

⚠ ADVERTENCIA: La gasolina es inflamable y se debe ejercer sumo cuidado cuando se la use o la vaya a almacenar. No llene el tanque cuando la removedora de nieve este caliente, funcionando o se halle en un area cerrada. Mantengala alejada del fuego vivo o emisiones electricas. No fume cuando este preparando la mezcla o llenando el tanque. Nunca llene el tanque a su maxima capacidad. De je un espacio de 0,65 cm a 1,30cm (1/4-1/2 pulgada) del tope del recipiente, como margen de seguridad para la expansion de la gasolina. Siempre llene el tanque de gasolina en espacios abiertos usando un embudo o vertidor adecuado para evitar derrames. Asegurese de limpiar cuidadosamente cualquier derrame ocurrido antes de encender el motor.

Guarde la gasolina en un recipiente limpio, aprobado para tales fines, y mantengalo siempre tapado. Guarde la gasolina en lugares frescos y de buena ventilacion, nunca en la casa. Nunca compre mas gasolina que la que utilizara en 30 dias; con esto garantiza la volatilidad adecuada. La gasolina es preparada para usarse en motores de combustion interna; por lo tanto, no utilice gasolina para ningun otro fin. Dado que el olor de la gasolina resulta agradable para muchos niños, evite que ellos puedan manipularla pues ademas de ser explosiva, sus vapores pueden ser nocivos.

PARA DETENER EL MOTOR

- Si dese parar el motor, haga girar la llave hacia la posición "APAGADO" (OFF) y retire la del encendido. Guárdela en un sitio seguro. El motor no puede ser encendido sin la llave. Vea figura en pagina 36.



PARA ENCENDER EL MOTOR (Con arranque eléctrico vea figura arriba)

El motor de la removedora de nieve está equipado con una unidad de suministro de corriente alterna de 120 voltios, un arranque eléctrico y una manivela para el encendido manual. Antes de encender el motor, asegúrese de haber leído y comprendido todas las instrucciones siguientes:

ARRANQUE EN FRIO

- Introduzca la llave y lléve a la posición "ENCENDIDO"(ON).
- Coloque el control de estrangulación en la posición "TOTAL" (FULL).
- Conecte el cable de suministro eléctrico a la caja del interruptor en la removedora de nieve.
- Enchufe el otro extremo del cable en un zócalo puesto a tierra de tres tomas de 120 voltios de corriente alterna.
- Mientras mantiene tapado el respiradero presione el botón cebo de la forma siguiente: (Retire el dedo del botón cebo después de presionarlo).

No pulse el botón en temperaturas superiores a los 10°C (50°F).

Púlselo dos veces, si la temperatura está entre -9,5°C y 10°C (15° F y 15°F).

Cuatro veces, si la temperatura es inferior a -9,5°C (15°F).

- Presione el botón de arranque hasta que el motor encienda. No active el arranque por más de 10 segundos por vez. Este arranque eléctrico goza de protección térmica y se detiene automáticamente al enfriarse y alcanzar una temperatura de seguridad operativa (se requieren 5 ó 10 minutos de espera).
- Primero, desconecte el cable de suministro eléctrico del zócalo, y luego de

la caja del interruptor en la máquina removedora.

- A medida que el motor se caliente y comience a funcionar en forma pareja, mueva con lentitud el control de estrangulación hasta la posición "APAGADO" (OFF). Si el motor falla, regrese el estrangulador a la mitad del recorrido hasta que logre un funcionamiento parejo; luego muévelo a la posición "APAGADO" (OFF).

NOTA: Deje que el motor se caliente por algunos minutos antes de usar la removedora de nieve, pues el motor no brindará toda su potencia mientras no alcance temperatura de operación.



PRECAUCION: Este arranque está equipado con una unidad de corriente y un cable eléctrico tripolar, y diseñado para funcionar con corriente alterna doméstica de 120 voltios. Siga todas las instrucciones especificadas en la sección "Para encender el motor". Cuando vaya a conectar el cable de corriente alterna de 120 voltios, siempre haga primero la conexión entre el cable y la caja del interruptor en el motor, para luego enchufar el otro extremo en una toma tripolar de corriente. Para desconectar el cable eléctrico, siempre desenchufe primero el extremo conectado a la toma de corriente.

ARRANQUE EN CALIENTE

- Asegúrese de que el control de estrangulación "APAGADO" (OFF) y hale la manivela del arranque hasta que el motor encienda.
- No cebe un motor en caliente. Si el motor no enciende, siga los pasos para el arranque en frío descritos arriba.

PARA ENCENDER EL MOTOR (RETROCESO MANUAL)

Antes de encender el motor, asegúrese de haber leído y comprendido todas las instrucciones de las páginas anteriores.

ARRANQUE EN FRIO

- Introduzca la llave y lléve a la posición "ENCENDIDO"(ON).
- Coloque el control de estrangulación en la posición "TOTAL" (FULL).
- Mientras mantiene tapado el respiradero, presione el botón cebo de la forma siguiente: (Retire el dedo del botón cebo después de presionarlo).

No pulse el botón en temperaturas superiores a los 10°C (50°F).

Púlselo dos veces, si la temperatura está entre -9,5°C y 10°C (15° F y 15°F).

Cuatro veces, si la temperatura es inferior a -9,5°C (15°F).

- Hale la manivela del arranque con un movimiento seguro y rápido. No deje que la inercia del encendido hale la cuerda del arranque con violencia. Permita que vuelva a enrollarse suavemente mientras sostiene la manivela. Si el motor hace explosión pero no arranca, hale la manivela de arranque hasta que logre encenderlo.
- Después de tres intentos, repita los pasos del estrangulador y manivela de arranque una vez más.
- A medida que el motor se caliente y comience a funcionar en forma pareja, mueva con lentitud el control de estrangulación hasta la posición "APAGADO" (OFF). Si el motor falla, regrese el estrangulador a la mitad del recorrido hasta que logre un funcionamiento pareja; luego muévelo a la posición "APAGADO" (OFF).


PARA DETENER EL MOTOR

- Si dese parar el motor, haga girar la llave hacia la posición "APAGADO" (OFF) y retire la del encendido. Guárdela en un sitio seguro. El motor no puede ser encendido sin la llave.


NOTA: Deje que el motor se caliente por algunos minutos antes de usar la removedora de nieve, pues el motor no brindará toda su potencia mientras no alcance temperatura de operación.

ARRANQUE EN CALIENTE

- Asegúrese de que el control de estrangulación "APAGADO" (OFF) y hale la manivela del arranque hasta que el motor encienda.
- No cebe un motor en caliente. Si el motor no encienda, siga los pasos para el arranque en frío descritos arriba.

 **PRECAUCION:** Nunca haga funcionar el motor en espacios interiores o sectores encerrados con poca ventilación. Los vapores del motor contienen monóxido de carbono, un gas inodoro y mortal. Este siempre detrás de la removedora de nieve (posición del

operador) cuando encienda el motor. No ponga manos, pies, pelo ni ropa floja en o cerca del deflector del canal de descarga ni del alojamiento del barreno cuando el motor este funcionando. Las temperaturas del escape y áreas cercanas podrían exceder los 150°F. Eviate estas áreas.

 **PRECAUCION:** Objetos como grava, piedras o escombros, si son golpeados por el barreno, pueden ser arrojados con la fuerza suficiente como para causar daños personales o de propiedad.

CONSEJOS PARA LA EXPULSION DE NIEVE

- Esta removedora de nieve se autopropulsa hacia adelante cuando las paletas del barreno hacen contacto con el suelo, al levantar suficientemente la manija de control. El barreno deberá detenerse cuando se libera la manija de control. Si no llega a detenerse, (consulte la sección "Ajuste del cable de control del barreno" en la página 40).
- Para una mayor eficiencia en la expulsión de nieve, coloque el desviador de descarga en la dirección del viento y superponga ligeramente los sectores del barrido. Si la nieve es ligera, puede efectuar un barrido completo; en el caso de nieve densa, la profundidad de barrido será menor.
- Puede ajustar la distancia de descarga de la nieve moviendo el desviador de la boca de descarga. Si lo mueve hacia arriba, obtendrá mayor distancia de lanzamiento; hacia abajo, una distancia menor.
- Cuando haya viento fuerte, mueva el desviador hacia abajo para expulsar la nieve más cerca del suelo y evitar lanzarla hacia áreas no deseadas.
- Asegúrese de que el área a limpiar no tenga piedras, juguetes ni otros objetos extraños, por razones de seguridad y para evitar daños a la removedora de nieve.
- No utilice la capacidad de propulsión del barreno cuando esté limpiando caminos de ripio o piedra picada. Mueva la manivela hacia abajo para elevar el barreno levemente.
- La velocidad que la removedora puede lograr hacia adelante depende del espesor y peso de la nieve. La

experiencia le brindará una mayor efectividad en el uso de la removedora bajo diferentes circunstancias.

Se necesitará más tiempo para remover la nieve de este tipo que para remover la nieve nivelada.

NIEVE SECA Y NORMAL

- La nieve de hasta ocho pulgadas de profundidad puede removerse rápida y fácilmente caminando a una velocidad moderada. Para la nieve de mayor profundidad o pormontorios de nieve puede ser preferible caminar más despacio para permitir al canal descargar la nieve tan rápidamente como la vaya recibiendo el barreno.
- Planee que la descarga de la nieve se haga en la dirección del viento.

NIEVE HUMEDA Y COMPACTA

- Muévase despacio en la nieve en estas condiciones. Cuanto mayor sea la profundidad, más lentamente deberá moverse usted. Cuando parezca que la nieve húmeda y compactas está haciendo que el barreno se mueva más lentamente y que el canal se atasque, retroceda y comience una serie de pequeños empujes en la nieve. Estos pequeños movimientos de empuje hacia adelante y hacia adelante y hacia atrás, de 4 a 6 pulgadas, expulsarán la nieve del canal.

BANCOS Y PROMONTORIOS DE NIEVE

- En nieve de mayor profundidad que la unidad, use la técnica de empujes descrita en la sección anterior. Aleje el canal de descarga del banco de nieve.

ESPECIFICACIONES DEL PRODUCTO

CABALLOS DE FUERZA: 5HP	
DESPLAZAMIENTO: 8.46 PULG. cúbicas	
CAPACIDAD DE GASOLINA: 1.62 cuartos (Sin plomo)	
PORPORCION DE LA MEZCLA DE GASOLINA/ACEITE: 40:1 (100cc 3.2 oz. de aceite para motores de 2 aire, indicados para una proporción 40:1 por 4 litros de gasolina)	
BUJIA:	Champion RCJ8Y (Entrehierro .030 pulg.)

MANTENIMIENTO

RESPONSABILIDADES DEL CLIENTE

REGISTROS DESERVICIO Llene las fechas a medida que complete su servicio regular	PROGRAMA					FECHAS DE SERVICIO			
	Antes de cada uso	Después de las primeras 12 Horas	De acuerdo a lo necesario	Antes del almacenamiento	Antes del Cada temporada				
Apretar todos los tornillos y tuercas		✓	✓						
Apretar bujía					✓				
Apretar las correas impulsoras					✓				
Lubricar la brida de control del canal				✓					
Apretar combustible	✓								
Drenar combustible				✓					

RECOMENDACIONES GENERALES

La garantía de esta removedora de nieve no cubre elementos que han estado sujetos a abuso o negligencia del operador. Para recibir el valor total de la garantía, el operador deberá dar mantenimiento a la removedora de nieve de acuerdo a las instrucciones contenidas en este manual.

Se necesitará efectuar algunos ajustes periódicamente para mantener apropiadamente su removedora de nieve.

Todos los ajustes en la sección Servicio y ajustes de este manual deberían ser verificados por lo menos una vez durante la estación.

REMOVEDORA DE NIEVE DESPUES DEL PRIMER USO

- Examine todas las piezas para ver si están sueltas o dañadas, después de cada vez que use la unidad.
- Ajuste todos los pernos que estén flojos.

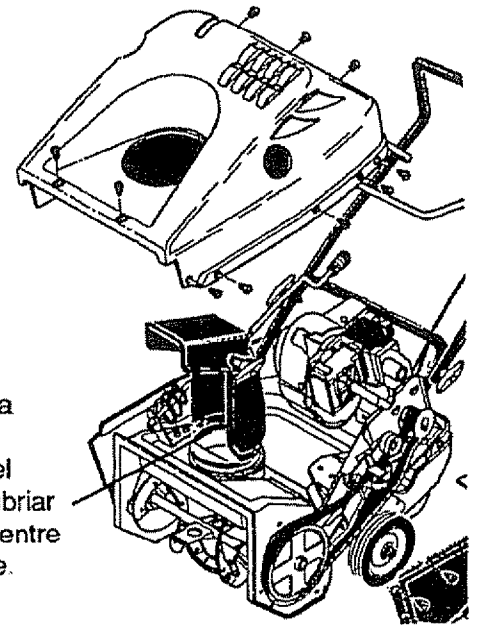
DESPUES DEL CADA USO

- Haga funcionar la unidad hasta que expulse toda la nieve y quede limpio el barreno.
- Retire de la removedora cualquier resto de nieve o fango para evitar la congelación del barreno y los controles.

LUBRICACION - DE ACUERDO A LO NECESARIO

- Lubrique la barida del canal de descarga antes de guardar la unidad (Vea las instrucciones "Remoción De La Cubierta Superior" en la página 40).
- Consulta la "Tabla de lubricación" para obtener información sobre los puntos de aceite y el tipo de lubricante a usar.

TABLA DE LUBRICACION



Lubricar la barida de control del canal. Cubrir pestaña entre Lubriplate.

MOTOR BUJIA

- Periódicamente, limpie la bujía y calibre su abertura. Para darle servicio o reemplazar la bujía (Consulte la sección "Cambio de la bujía" en la página 43).
- Asegúrese de que la bujía esté colocada apropiadamente en el motor y conectada al cable respectivo.
- Si cuenta con una llave de torque (dinamo,étrica), ajuste la bujía entre 18 y 23 pie-libras (entre 2,48 y 2,76 kilogrametros).
- Antes de remover la bujía, limpie el área a su alrededor para evitar que ningún sucio o partícula extraña caiga en el interior del motor.

SERVICIO Y AJUSTES

AJUSTE DEL CARBURADOR

El carburador de esta removedora de nieve no es del tipo ajustable.

IMPORTANTE: Si usted cree que el carburador no esta funcionando adecuadamente, comuníquese con su centro de servicios SEARS mas cercano.

⚠ PRECAUCION: Nunca trate de alterar las condiciones del regulador del motor pues este ha sido colibrado en fabrica para brindar la velocidad necesaria. El exceso de velocidad del motor puede aumentar el peligro de

lesiones personales ademas de anular la garantia sobre el motor. Si cree que el regulador de velocidad requiere de un ajuste en alta, comuníquese conel centro de servicios SEARS mas cercano, donde obtendra el equipo y la experiencia adecuados para realizar los ajustes necesarios.

COMO AJUSTAR EL GRUPO DE LA MANIVELA DE DESCARGA

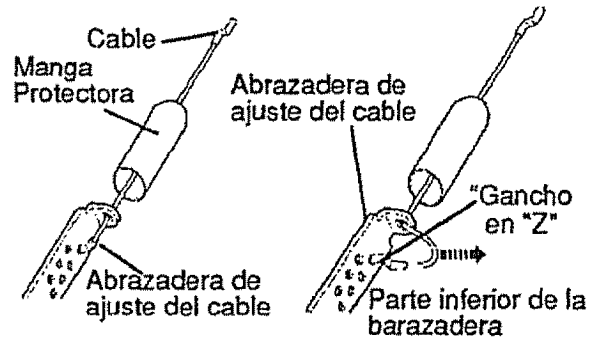
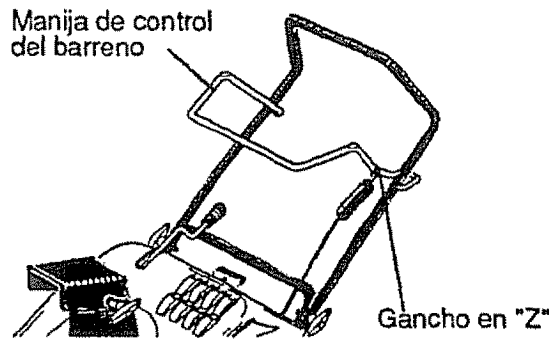
Si usted no puede mover la manivela hacia la derecha y la izquierda en toda su extensión, es necesario ajustarla (Vea figura uno, pagina 40).

- Remueva la cubierta superior (Vea las instrucciones "Remoción De La Cubierta Superior" en la página).
- Afloje las dos tuercas de 12,7 mm (1/2 pulgada) que sostienen la abrazadera de la manivela (use llaves de 1/2 pulgada).
- Mueva la abrazadera para dejar un espacio de 3,2 mm (1/8 pulgada) entre la muesca de la brida del canal de descarga y el diámetro externo del serpentín.
- Una vez que logre este margen de espacio, apriete las tuercas.

COMO AJUSTAR EL CABLE DE CONTROL DEL BARRENO

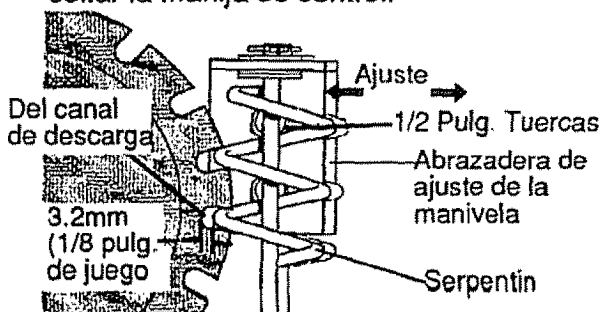
El cable de control del barreno ha sido ajustado en la planta para brindar el nivel de operación apropiado. Si necesita ajustar el cable, en el caso de que la manija de control no haga funcionar apropiadamente al embrague del barreno, proceda de la siguiente forma:

- Quite el gancho en "Z" de la manija de control del barreno (Vea figura abajo).
- Deslice la manga protectora hacia el lado suelto del cable (Vea figura dos).
- Empuje el cable a través del orificio superior de la abrazadera de ajuste del cable, de forma tal de obtener una longitud de cable holgada (Vea figura dos).
- Saque el gancho en "Z" del orificio superior de la abrazadera de ajuste del cable y colóquelo en el siguiente orificio, alejándose del extremo de la abrazadera (Vea figura dos).
- Hale el cable a través de la abrazadera de ajuste del cable e insértelo en la manija de control (Vea la figurados).
- Vuelva a colocar la manga protectora sobre la abrazadera de ajuste del cable.
- Inserte el gancho en "Z" en la manija de control.
- Encienda la removedora de nieve y verifique que el barreno deja de girar al soltar la manija de control.



REMOCION DE LA CUBIERTA SUPERIOR

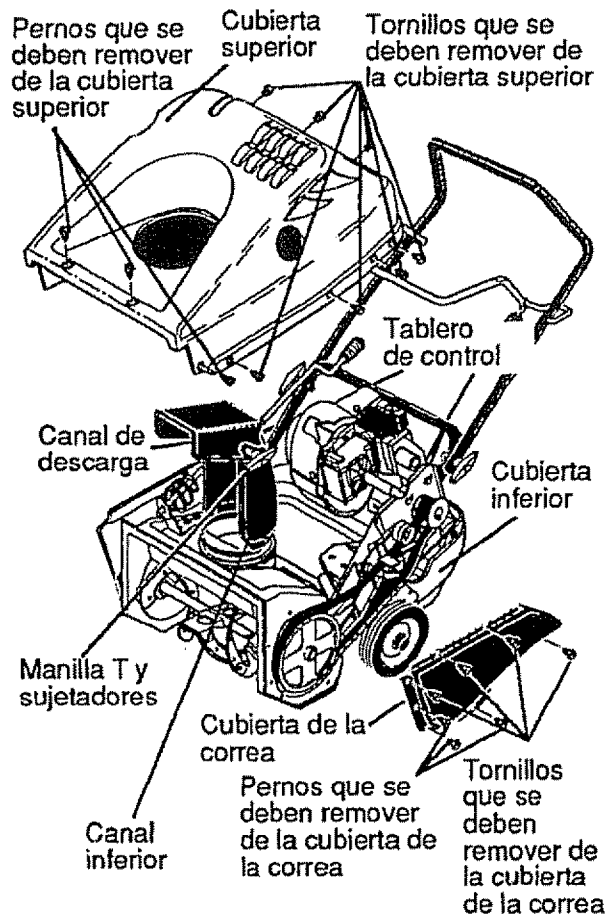
- Remueva la manilla T y los sujetadores en el canal de descarga.
 - Remueva la tapa de la gasolina.
 - Remueva los dos pernos y tuercas del borde delantero de la cubierta superior. Use un destornillador de cabeza plana y una llave de 3/8".
 - Remueva el perno del lado delantero derecho. Use una llave de 5/16" y 3/8".
 - Remueva los cuatro tornillos en el lado izquierdo de la cubierta superior. Use un destornillador de cabeza plana grande.
 - Remueva el perno delantero del lado izquierdo. Use una llave de 5/16" y 3/8".
 - Remueva los cuatro tornillos en el lado derecho de la cubierta superior. Use un destornillador de cabeza plana grande.
 - Remueva los tres tornillos de la parte superior del tablero de control. Use un destornillador de cabeza plana grande.
 - Tire cuidadosamente hacia arriba la parte trasera de la cubierta superior, asegurándose de mantenerse libre del estanque de gasolina.
 - Levante cuidadosamente la cubierta superior sobre los tres pernos que sujetan el canal inferior al anillo del canal.
- AVISO:** Esta área ha sido diseñada para que calce apretado, será necesario hacer mover la cubierta superior cuidadosamente sobre estos pernos.



- Remueva la cubierta superior.
- Vuelva a instalarla en orden inverso.

REMOCION DE LA CUBIERTA DE LA CORREA (Vea figura abajo)

- Remueva los cuatro pernos y tuercas que sujetan la cubierta de la correa a la caja de la barrena. Use una llave de 5/16" y 3/8".
- Remueva los dos tornillos que sujetan la cubierta de la correa a la cubierta superior. Use un destornillador de cabeza plana grande. **AVISO:** Si ya se ha removido la cubierta superior, omita este paso.
- Remueva el tornillo que sujeta la cubierta de la correa a la cubierta inferior. Use un destornillador de cabeza plana grande.
- Coja la parte inferior de la cubierta de la correa y tírela hacia abajo y hacia afuera para removerla.
- Vuelva a instalarla en orden inverso.



AJUSTE DEL COJIN DEL FRENO

El cojín del freno es ajustado en la fábrica y no se necesita hacer ningún ajuste periódico.

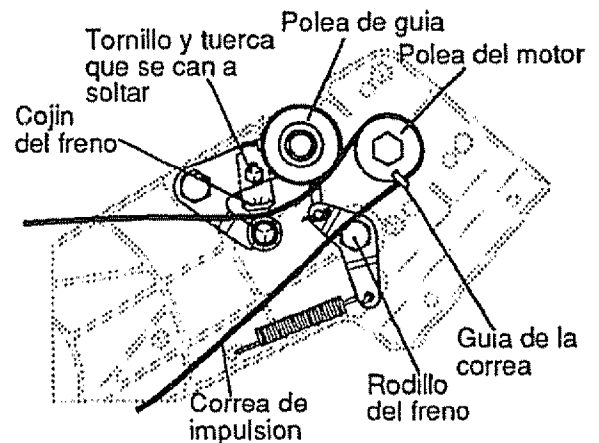
IMPORTANTE: Solamente se debe ajustar el freno si el cojín del freno se ha soltado o ha sido removido. Para ajustar, proceda según lo siguiente:

AVISO: Vea la figura bajo para verificar la ubicación correcta del cojín del freno.

- Apague el motor.
- Remueva la cubierta de la correa (Vea el párrafo "Remoción De La Cubierta De La Correa" en la página).
- Remueva la cubierta superior (Vea las instrucciones "Remoción De La Cubierta Superior" en la página 40).

AVISO: Asegúrese que la correa esté en la posición correcta (Vea el párrafo "Remoción De La Correa De Impulsión" en la página 42).

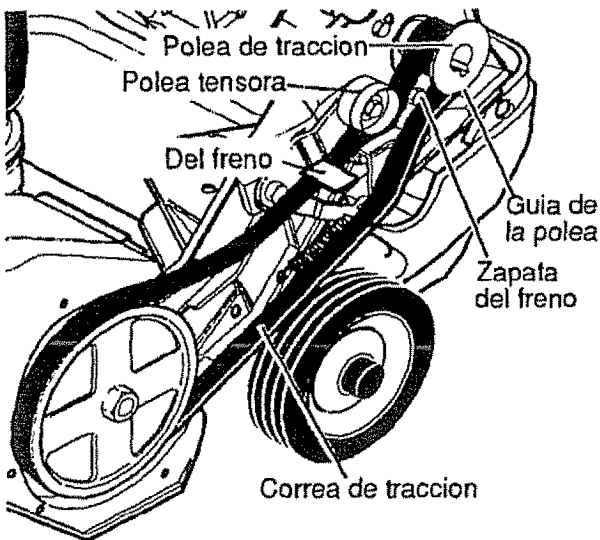
- Amarre la bola de control al mango superior con una cuerda. **AVISO:** Esto enganchará el sistema de correa y polea.
- Usando una llave de 7/16, una boquilla de 7/16 y un trinquete suelte el tornillo y la tuerca del cojín del freno. Vea la próxima figura para verificar la ubicación del tornillo y la tuerca.
- Ajuste el cojín del freno hacia arriba o hacia abajo para tener una abertura de 1/8" entre la parte inferior del cojín del freno y la correa.
- Apriete el tornillo y la tuerca.



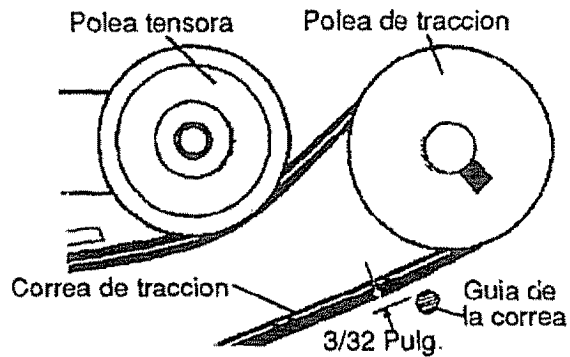
REEMPLAZO DE LA CORREA DE TRACCION

La correa de tracción de esta unidad es el resultado de una fabricación especial y debe ser substituida con el mismo tipo de correa, disponible en su Centro de Servicios SEARS más cercano.

- Retire el protector de la correa (Vea "Como quitar el protector de la correa" en la página 41).
- Separe la guía de la correa (Vea la figura abajo) (La correa debe poder salir sin aflojar la guía).

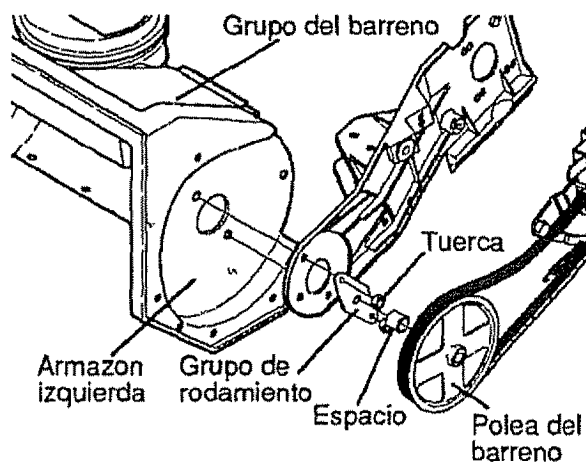


- Presione la polea tensora hacia abajo con cuidado para liberar la presión del freno sobre la correa.
- Extraiga la correa de su posición, entre la almohadilla y la zapata del freno.
- Remueva la correa usada.
- Reemplácela con una nueva, presionando la polea tensora hacia abajo con cuidado, y colocando la nueva correa entre la almohadilla y la zapata del freno, con el borde reforzado hacia abajo.
- Libere la polea.
- Enganche la correa alrededor de la polea del motor y la polea del barreno.
- Asegúrese de que la polea calce adecuadamente.
- Coloque la guía de la correa en su posición normal (La guía debe quedar a unos 2,4 mm ó 3/32 pulgada de separación de la correa cuando ésta esté en posición, como muestra la uno figura, arriba derecho).
- Reinstale el protector de la correa.



PARA CAMBIAR EL BARRENO

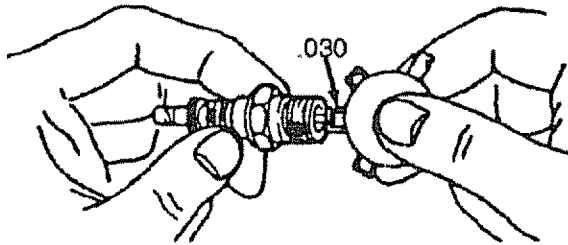
- Retire el protector de la correa (Vea "Como quitar el protector de la correa" en la página 41) y la correa de tracción (Vea "Reemplazo de la correa de tracción" en éste la página).
- Desmonte la polea del barreno (Vea figura abajo) de su eje de giro (tiene rosca izquierda; gire en el sentido de las agujas del reloj para aflojar). Coloque un trozo de madera (5 x 10 cm) en el área de la paleta central para asegurar la inmovilidad del barreno.
- Desmonte el grupo de rodamiento del armazón izquierdo de la removedora de nieve, quitando las dos tuercas.
- Deslice el grupo del barreno alejándolo del rodamiento a la derecha de la unidad.
- Inclíne el grupo del barreno lo suficiente para que pueda salir de la camisa de protección que la alberga.
- Instale el nuevo grupo del barreno en orden inverso al de extracción.



REEMPLAZO DE LA BUJÍA

La bujía se encuentra en el compartimiento del motor debajo de la tapa superior (Vea la figura bajo) y no puede verse en condiciones normales.

- Quite la tapa superior removiendo los cinco tornillos de sujeción.
- Desconecte el alambre de la bujía.
- Limpie el área alrededor de la bujía para evitar que algún sucio penetre en el motor.
- Saque la bujía y si la nota rota, impregnada en aceite o sucia, deberá reemplazarla (consulte la página 38 para identificar el repuesto adecuado).
- La separación de los electrodos de la bujía debe calibrarse a 7,6 mm (0,030 pulgada). Luego, instale la bujía nueva en la cabeza del cilindro. Si tiene una llave de torque, ajuste la bujía entre 18 y 23 pie-libras (entre 2,48 y 2,76 kilográmetros); de lo contrario, ajústela con firmeza con una llave corriente (Vea la figura bajo).



- Vuelva a conectar el alambre de la bujía.
- Reinstale la tapa superior.

LOS SERVICIOS AL MOTOR

Excepto cuando el operador esté plenamente calificado para efectuar la reparación y ajustes del motor, es recomendable que tales labores sean realizadas por personal técnico entrenado en el tipo de motores de su removedora de nieve. Lleve su removedora de nieve a un Centro de Servicios SEARS autorizado para las reparaciones y ajustes que necesite.

AJUSTE DE LA VELOCIDAD DEL MOTOR

La velocidad del motor ha sido calibrada en la fábrica. No trate de cambiarla ya que puede ocasionarse lesiones personales. Si piensa que el motor está funcionando demasiado rápida o lentamente, lleve su removedora de nieve a un Centro de Servicios SEARS autorizado.

ALMACENAMIENTO

⚠ PRECAUCION: Nunca almacene su removedora de nieve en ambientes interiores o en un área cerrada, mal ventilada si el tanque aun tiene gasolina. Los vapores podrían alcanzar una llama desprotegida, chispa o llama piloto de un horno, calentadora de agua, secadora de ropa, cigarrillo, etc.

Para evitar daño al motor (si la removedora de nieve estará fuera de uso por más de 30 días) siga los pasos detallados abajo.

ALMACENAMIENTO DE LA REMOVEDORA DE NIEVE

- Limpie completamente la removedora de nieve.
- Lubrique todos los puntos de lubricación (vea la sección Mantenimiento en pagina 38).
- Asegúrese de que todos las tuercas, pernos y tornillos están sujetos de manera segura. Inspeccione todas las piezas móviles visibles para detectar daños, roturas y desgaste. Efectúe reemplazos si fuese necesario.
- Retoque todas las superficies de pintura oxidadas o desgarradas; lije antes de aplicar pintura.
- Cubra las piezas de metal al desnudo del compresor del alojamiento del barreno y el impulsor con un material para prevenir la corrosión, tal como un lubricante en aerosol.

NOTA: Una revisión o afinado anual por un Centro de Servicio SEARS es una buena manera de asegurar que su removedora de nieve le brindará el máximo rendimiento la siguiente temporada.

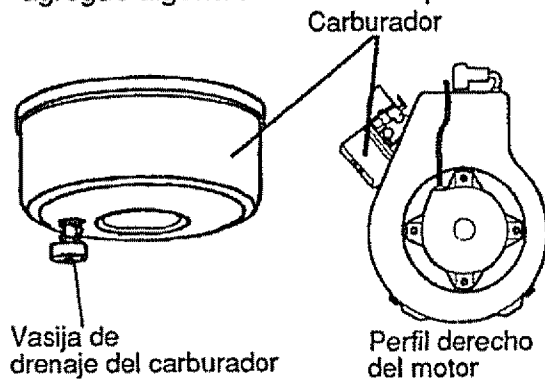
ALMACENAMIENTO DEL MOTOR

La gasolina deberá ser removida o tratada para prevenir la formación de depósitos de goma en el tanque, filtro, manguera, y carburador durante el almacenamiento. Asimismo, durante el almacenamiento la gasolina mezclada con alcohol la cual utiliza etanol o metanol (algunas veces llamado gasohol) atrae agua.

- Para remover la gasolina, mantenga el motor en marcha hasta que el tanque esté vacío y el motor pare. Luego, drene la gasolina remanente del carburador presionando hacia arriba en la vasija de

drenaje del carburador situada en la parte inferior del carburador. Vea figura bajo.

- Si no desea remover la gasolina, podría añadir un estabilizador de combustible (tal como el Estabilizador de combustible Craftsman No. 33500) a cualquier gasolina que deje en el tanque para de minimizar los depósitos de goma y ácidos. Si el tanque está casi vacío, mezcle el estabilizador con gasolina fresca en un contenedor separado y agregue alguna de ésta al tanque.



Siempre siga las instrucciones en el contenedor del estabilizador. Luego opere el motor durante al menos 10 minutos después de que se haya añadido el estabilizador para permitir que la mezcla alcance el carburador. Almacene la removedora de nieve en un lugar seguro. Véase la advertencia arriba.

Puede mantener su motor en buenas condiciones de funcionamiento durante el almacenamiento al:

- Lubricando el área del pistón/cilindro. Esto puede ser hecho removiendo primero la bujía y salpicando el agujero. Esto puede ser hecho removiendo primero la bujía y salpicando el agujero de la bujía con aceite de motor limpio. Luego cubra el agujero de la bujía con un paño para absorber el rocío de aceite. A continuación, rote el motor al halar de la cuerda de arranque hasta sacarla completamente dos o tres veces. Finalmente, reinstale la bujía y conecte el alambre de la bujía.

OTROS

- Si fuese posible, almacene su removedora de nieve en ambientes interiores y cúbrala para protegerla contra el polvo y la suciedad.

- Si la máquina deberá estar en el exterior, colóquela sobre bloques para garantizar que la máquina no estará en contacto con el terreno.
- Cubra la removedora de nieve con una cubierta protectora apropiada que no retenga humedad. No use plástico ni vinilo.

IMPORTANTE: Nunca cubra la removedora de nieve mientras las áreas del motor y el escape aun esten clientes.

SOLUCION DE PROBLEMAS

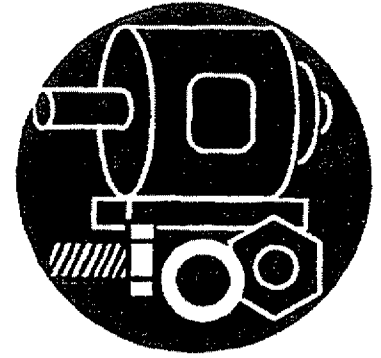
PROBLEMA	CAUSA	CORRECCION
Dificultad de arranque	Bujía defectuosa	Reemplazar bujía defectuosa
El motor se apaga	Unidad funcionando en el modo ESTRANGULACION (CHOKE)	Colocar la planaca de estrangulación en la OFF posición
El motor funciona erráticamente perdida de potencia	Línea de combustible bloqueada o poco combustible Agua o suciedad en el sistema de combustible Carburador desajustado	Limpiar la línea de combustible; revisar la existencia de combustible; agregar combustible fresco (mezcla gasolina/aceite si es motor de dos tiempos) Usar vasija de drenaje del carburador para lavar y rellenar con combustible fresco Vea carburador ajuste sección en página 39
Vibración excesiva	Piezas flojas; impulsor dañado Barreno dañando	Parar el motor inmediatamente y desconectar el alambre de la bujía. Apretar todos los pernos y efectuar las reparaciones necesarias. Si la vibración continúa, solicite a un reparador competente que le dé servicio a la unidad. Repáre o reemplace el conjunto del barreno
La unidad no se puede propulsar a sí misma	Correa impulsora floja o dañada Ajuste incorrecto del cable impulsor de la oruga Correa propulsora del barreno floja o dañada Cable de control del barreno no ajustado correctamente	Reemplazar la correa de impulsión Ajustar el cable de control del barreno Ajustar la correa de propulsión del barreno; reemplazar si esta dañada Ajustar el cable de control del barreno
La unidad no descarga nieve	Canal de descarga obstruido Objeto extraño atorado en barreno	Parar el motor inmediatamente y desconectar el alambre de la bujía. Limpiar canal de descarga y dentro del alojamiento del barreno. Para el motor inmediatamente y desconectar el alambre de la bujía. Remueva los objetos del barreno.

NOTES

For the repair or replacement parts you
need delivered directly to your home
Call 7 am-7 pm, 7 days a week
1-800-366-PART

(1-800-366-7278)

Para ordenar piezas con entrega
a domicilio -1-800-659-7084



For in-house major brand repair service
Call 24 hours a day, 7 days a week
1-800-4-REPAIR

(1-800-473-7247)

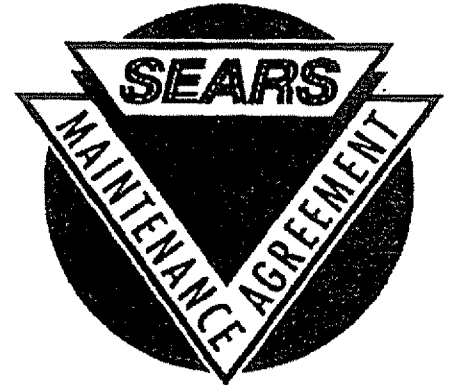
Para pedir servicio de reparación a
domicilio - 1-800-676-5811



For the location of a Sears Parts and
Repair Center in your area
Call 24 hours a day, 7 days a week
1-800-488-1222



For information on purchasing a Sears
Maintenance Agreement or to inquire
about an existing Agreement
Call 9 am -5pm, Monday-Saturday
1-800-827-6655



When requesting service or ordering
parts, always provide the following
information:

- Product Type
- Part Number
- Model Number
- Part Description

SEARS
REPAIR SERVICES
America's Repair Specialists