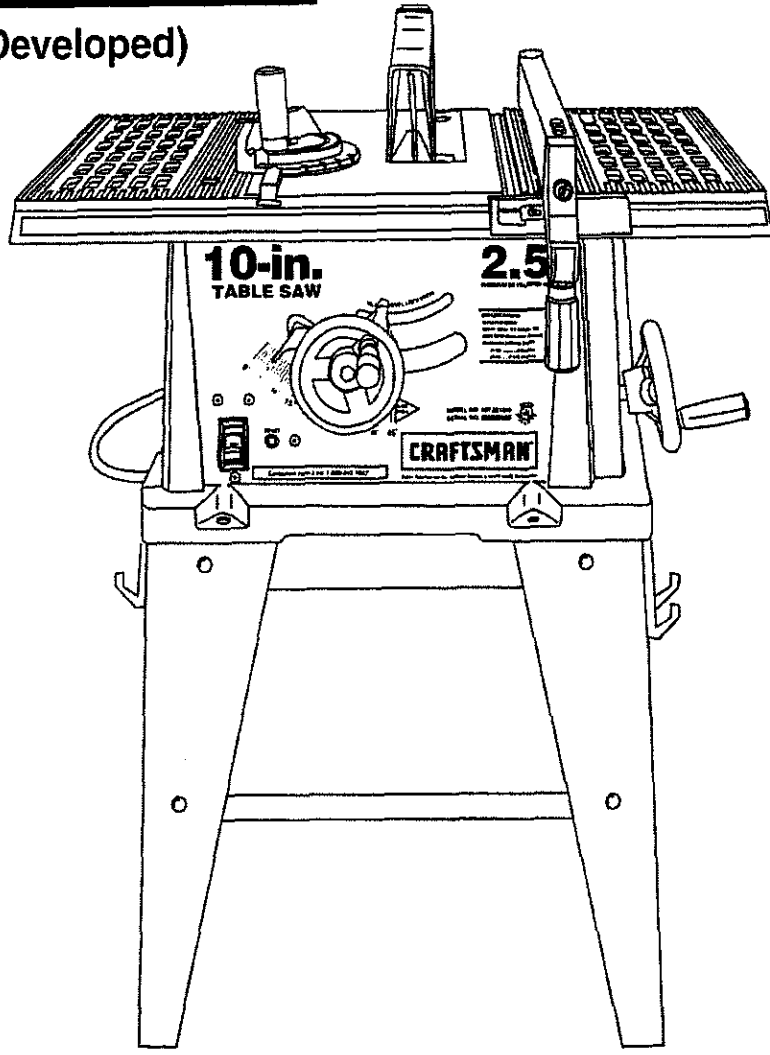


Owner's Manual



2.5 HP (Maximum Developed)
10" Inch Blade
5000 R.P.M.

TABLE SAW
Model No.



CAUTION:

Before using this Table Saw, read this manual and follow all its Safety Rules and Operating Instructions.

- Safety Instructions
- Installation
- Operation
- Maintenance
- Parts List
- Español

Customer Help Line
1-800-843-1682

Sears, Roebuck and Co., Hoffman Estates, IL 60179 USA
Part No. 137221960001

TABLE OF CONTENTS

SECTION	PAGE
Warranty	2
Product Specifications	2
Safety Instructions	3
Accessories and Attachments	6
Tools needed for assembly	6
Carton Contents	6
Know Your Table Saw	8
Assembly and Adjustments	9
Operation	16
Maintenance	20
Troubleshooting guide	21
Parts	22
Making a push stick	26
Español	29

WARRANTY

FULL ONE YEAR WARRANTY

If this product fails due to a defect in material or workmanship within one year from the date of purchase, Sears will repair it free of charge.

Contact a Sears Service Center for repair

If this product is used for commercial or rental purposes, this warranty applies only for 90 days from the date of purchase.

This warranty gives you specific legal rights, and you may also have other rights which vary from state to state

Sears, Roebuck and Co., Dept. 817 WA, Hoffman Estates, IL 60179

PRODUCT SPECIFICATIONS

MOTOR

Maximum developed HP	2.5
Volts	120
Amperes	13
Hertz	60
RPM (no load)	5000
Overload protection	YES

SAW

Table	17 1/8" x 26"
Blade	10"
Maximum depth of cut at 90°	3 inches
Maximum depth of cut at 45°	2-1/2 inches
Maximum width of dado	1/2 inch
Weight	55 lbs

▲ WARNING

To avoid electrical hazards, fire hazards, or damage to the tool, use proper circuit protection.

Your table saw is wired at the factory for 120V operation. Connect to a 120V, 15 AMP branch circuit and use a 15 AMP time delay fuse or circuit breaker. To avoid shock or fire, replace power cord immediately if it is worn, cut or damaged in any way.

SAFETY


GENERAL SAFETY INSTRUCTIONS

BEFORE USING THE TABLE SAW

Safety is a combination of common sense, staying alert and knowing how to use your table saw.

▲ WARNING

To avoid mistakes that could cause serious injury, do not plug the table saw in until you have read and understood the following:

1. **READ** and become familiar with this entire instruction manual. **LEARN** the tool's applications, limitations, and possible hazards
2. **KEEP GUARDS IN PLACE** and in working order.
3. **REMOVE ADJUSTING KEYS AND WRENCHES.** Form the habit of checking to see that keys and adjusting wrenches are removed from the tool before turning ON.
4. **KEEP WORK AREA CLEAN.** Cluttered areas and benches invite accidents.
5. **DON'T USE IN A DANGEROUS ENVIRONMENT.** Don't use power tools in damp or wet locations, or expose them to rain. Keep work area well lighted.
6. **KEEP CHILDREN AWAY.** All visitors should be kept at a safe distance from the work area.
7. **MAKE WORKSHOP KID PROOF** with padlocks, master switches, or by removing starter keys.
8. **DON'T FORCE THE TOOL.** It will do the job better and safer at the rate for which it was designed.
9. **USE THE RIGHT TOOL.** Don't force tool or the attachment to do a job for which it was not designed.
10. **USE PROPER EXTENSION CORD.** Make sure your extension cord is in good condition. When using an extension cord, be sure to use one heavy enough to carry the current your product will draw. An undersized cord will cause a drop in line voltage resulting in loss of power and overheating. The table on page 5 shows the correct size to use depending on cord length and nameplate ampere rating. If in doubt, use the next heavier gauge. The smaller the gauge number, the heavier the cord.
11. **WEAR PROPER APPAREL.** DO NOT wear loose clothing, gloves, neckties, rings, bracelets, or other jewelry which may get caught in moving parts. Nonslip footwear is recommended. Wear protective hair covering to contain long hair.
12. **WEAR YOUR SAFETY GOGGLES.**  **ALWAYS WEAR EYE PROTECTION.** Any table saw can throw foreign objects into the eyes which could cause permanent eye damage. ALWAYS wear Safety Goggles (not glasses) that comply with ANSI safety standard Z87.1. Everyday eyeglasses have only impact-resistant lenses. They ARE NOT safety glasses. Safety Goggles are available at Sears. **NOTE:** Glasses or goggles not in compliance with ANSI Z87.1 could seriously hurt you when they break.
13. **WEAR A FACE MASK OR DUST MASK.** Sawing operation produces dust.
14. **SECURE WORK.** Use clamps or a vise to hold work when practical. It's safer than using your hand and it frees both hands to operate tool.
15. **DISCONNECT TOOLS** before servicing, and when changing accessories, such as blades, bits, cutters, and the like
16. **REDUCE THE RISK OF UNINTENTIONAL STARTING.** Make sure the switch is in OFF position before plugging in.
17. **USE RECOMMENDED ACCESSORIES.** Consult the owner's manual for the recommended accessories. The use of improper accessories may cause risk of injury to persons.
18. **NEVER STAND ON TOOL.** Serious injury could occur if the tool is tipped or if the cutting tool is unintentionally contacted.
19. **CHECK FOR DAMAGED PARTS.** Before further use of the tool, a guard or other part that is damaged should be carefully checked to determine that it will operate properly and perform its intended function. Check for alignment of moving parts, binding of moving parts, breakage of parts, mounting, and any other conditions that may affect its operation. A guard or other part that is damaged should be properly repaired or replaced.
20. **NEVER LEAVE TOOL RUNNING UNATTENDED. TURN THE POWER OFF.** Don't leave the tool until it comes to a complete stop.
21. **DON'T OVERREACH.** Keep proper footing and balance at all times.
22. **MAINTAIN TOOLS WITH CARE.** Keep tools sharp and clean for best and safest performance. Follow instructions for lubricating and changing accessories.

SAVE THESE INSTRUCTIONS

23. **DIRECTION OF FEED.** Feed work into a blade or cutter against the direction of rotation of the blade or cutter only.
24. **WARNING:** Dust generated from certain materials can be injurious to your health. Always operate saw in well ventilated areas and provide for proper dust removal.
12. **PROVIDE ADEQUATE SUPPORT** to the rear and sides of the saw table for wide or long workpieces.
13. **AVOID KICKBACKS** (work thrown back towards you) by keeping the blade sharp, keeping the rip fence parallel to the saw blade, and by keeping the spreader, anti-kickback pawls, and guard in place and functioning. Do not release work before it is pushed all the way past the saw blade. Do not rip work that is twisted, warped, or does not have a straight edge to guide along the fence

SPECIFIC SAFETY INSTRUCTIONS FOR THE TABLE SAW

1. **ALWAYS USE SAW BLADE GUARD** spreader and anti-kickback pawls for every operation for which they can be used, including through-sawing. Through-sawing operations are those in which the blade cuts completely through the workpiece when ripping or cross-cutting.
2. **ALWAYS HOLD THE WORK FIRMLY** against the miter gauge or rip fence.
3. **USE A PUSH STICK** when required. Always use a push stick for ripping narrow stock. Refer to ripping applications in the instruction manual where the push stick is covered in detail. See the push stick pattern included in this Owner's Manual.
4. **NEVER PERFORM ANY OPERATION "FREE HAND"**, which means using your hands only to support or guide the workpiece. Always use either the fence or the miter gauge to position and guide the work.
5. **NEVER STAND** or have any part of your body in line with the path of the saw blade. Keep your hands out of the line of the saw blade.
6. **NEVER REACH** behind or over the cutting tool for any reason.
7. **REMOVE** the rip fence when cross-cutting.
8. **DO NOT USE** molding head set with this saw.
9. **FEED WORK INTO THE BLADE** against the direction of rotation only.
10. **NEVER** use the fence as a cut-off gauge when cross-cutting.
11. **NEVER ATTEMPT TO FREE A STALLED SAW BLADE** without first turning the saw OFF. Turn power switch OFF immediately to prevent motor damage.
14. **AVOID AWKWARD OPERATIONS** and hand positions where a sudden slip could cause your hand to move into the cutting tool.
15. **NEVER USE SOLVENTS** to clean plastic parts. Solvents could possibly dissolve or otherwise damage the material. Only a soft damp cloth should be used to clean plastic parts.
16. **MOUNT** your table saw before performing any cutting operations. Refer to installation instructions.
17. **NEVER CUT METALS** or materials which may make hazardous dust.
18. **ALWAYS USE IN A WELL VENTILATED AREA.** Remove saw dust frequently. Clean out sawdust from the interior of the saw to prevent a potential fire hazard.
19. **NEVER LEAVE THE TOOL** running unattended. Don't leave the tool until it comes to a complete stop.
20. For proper operation follow the instructions of this owner's manual titled "**SAW MOUNTED TO WORK SURFACES**". Failure to provide sawdust fall-through and removal hole will allow sawdust to build up in the motor area, which may result in a fire hazard or cause motor damage.

ELECTRICAL REQUIREMENTS

POWER SUPPLY AND MOTOR SPECIFICATIONS

▲ WARNING

To avoid electrical hazards, fire hazards, or damage to the tool, use proper circuit protection. Use a separate electrical circuit for your tools. Your saw is wired at the factory for 120V operation. Connect to a 120V, 15 Amp circuit and use a 15 Amp time delay fuse or circuit breaker. To avoid shock or fire, if power cord is worn or cut, or damaged in any way, have it replaced immediately.

SAVE THESE INSTRUCTIONS

GROUNDING INSTRUCTIONS

IN THE EVENT OF A MALFUNCTION OR BREAKDOWN, grounding provides a path of least resistance for electric current and reduces the risk of electric shock. This tool is equipped with an electric cord that has an equipment grounding conductor and a grounding plug. The plug **MUST** be plugged into a matching receptacle that is properly installed and grounded in accordance with ALL local codes and ordinances.

DO NOT MODIFY THE PLUG PROVIDED. If it will not fit the receptacle, have the proper receptacle installed by a qualified electrician.

IMPROPER CONNECTION of the equipment grounding conductor can result in risk of electric shock. The conductor with the green insulation (with or without yellow stripes) is the equipment grounding conductor. If repair or replacement of the electric cord or plug is necessary, **DO NOT** connect the equipment grounding conductor to a live terminal.

CHECK with a qualified electrician or service person if you do not completely understand the grounding instructions, or if you are not sure the tool is properly grounded.

USE A SEPARATE ELECTRICAL CIRCUIT for your tools. This circuit must not be less than #12 wire and should be protected with a 15 Amp time delay fuse. Before connecting the motor to the power line, make sure the switch is in the OFF position and the electric current is rated the same as the current stamped on the motor nameplate. Running at a lower voltage will damage the motor.

This tool is intended for use on a circuit that has a receptacle like the one illustrated in FIGURE A. FIGURE A shows a 3-prong electrical plug and receptacle that has a grounding conductor. If a properly grounded receptacle is not available, an adapter (FIGURE B) can be used to temporarily connect this plug to a 2-contact ungrounded receptacle. The temporary adapter should be used only until a properly grounded receptacle can be installed by a qualified electrician. The adapter (FIGURE B) has a rigid lug extending from it that **MUST** be connected to a permanent earth ground, such as a properly grounded receptacle box. The Canadian Electrical Code prohibits the use of adapters.

CAUTION: In all cases, make certain the receptacle is properly grounded. If you are not sure have a qualified electrician check the receptacle.

▲ WARNING

This table saw is for indoor use only. Do not expose to rain or use in damp locations

Fig. A

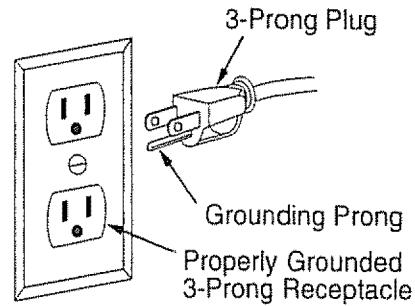
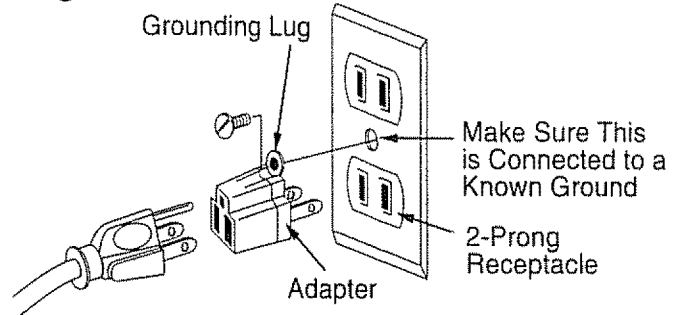


Fig. B



GUIDELINES FOR EXTENSION CORDS

USE ONLY 3-wire extension cords that have 3-prong grounding plugs and 3-pole receptacles that accept the tool's plug. Repair or replace damaged or worn cord immediately.

USE PROPER EXTENSION CORD. Make sure your extension cord is in good condition. When using an extension cord, be sure to use one heavy enough to carry the current your product will draw. An undersized cord will result in a drop in line voltage and in loss of power which will cause the tool to overheat. The table below shows the correct size to use depending on cord length and nameplate ampere rating. If in doubt, use the next heavier gauge. The smaller the gauge number, the heavier the cord.

Be sure your extension cord is properly wired and in good condition. Always replace a damaged extension cord or have it repaired by a qualified person before using it. Protect your extension cords from sharp objects, excessive heat and damp or wet areas.

▲ WARNING

This tool must be grounded while in use to protect the operator from electrical shock.

MINIMUM GAUGE FOR EXTENSION CORDS (AWG)					
(when using 120 volts only)					
Ampere Rating		Total length of cord in feet			
more than	not more than	25'	50'	100'	150'
0	6	18	16	16	14
6	10	18	16	14	12
10	12	16	16	14	12
12	16	14	12	Not Recommended	

SAVE THESE INSTRUCTIONS

ACCESSORIES AND ATTACHMENTS

RECOMMENDED ACCESSORIES

▲ WARNING

Do not use adjustable (wobble) type dadoes or carbide tipped dado blades on this saw. Maximum dado width is 1/2". Do not use a dado with a diameter larger than 6". Also do not use molding head set with this saw.

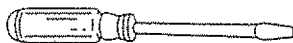
Visit your Sears Hardware Department or see the Craftsman Power and Hand Tools Catalog to purchase recommended accessories for this power tool.

▲ WARNING

To avoid the risk of personal injury, do not modify this power tool or use accessories not recommended by Sears.

TOOLS NEEDED FOR ASSEMBLY

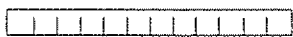
TOOLS NEEDED



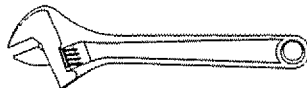
Medium screwdriver



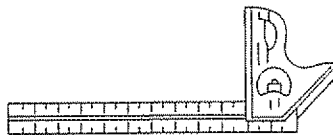
#2 Phillips screwdriver



Straight edge



Adjustable wrench



Combination square

CARTON CONTENTS

UNPACKING AND CHECKING CONTENTS

Separate all parts from packing material. Check each one with the illustration on the next page and the table of loose parts to make certain all items are accounted for, before discarding any packing material.

▲ WARNING

If any parts are missing or damaged, do not attempt to assemble the table saw, plug in the power cord, or turn the switch on until the missing or damaged part is obtained and is installed correctly.

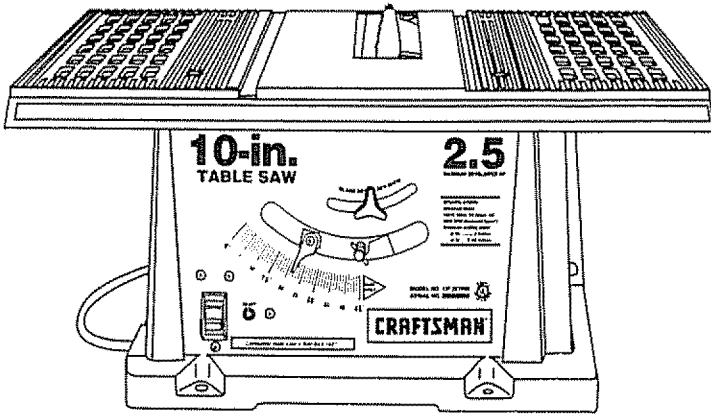
TABLE OF LOOSE PARTS

ITEM	DESCRIPTION	QUANTITY
A	Table saw assembly	1
B	Blade guard and splitter	1
C	Bolt, flat washer, toothed washer	1 each
D	Rip fence and handle	1
E	Handwheels	2
F	Dome nuts	2
G	Dado insert	1
H	Bag of bolts, nuts, washers	1
I	Tool hangers	1
J	Miter gauge	1
K	Hex key	2
	Blade wrenches	2
STAND:		
L	Top short leg brackets	2
M	Top long leg brackets	2
N	Bottom short brackets	2
O	Bottom long brackets	2
P	Legs	4
Q	Bag of bolts, nuts, washers, pads	1

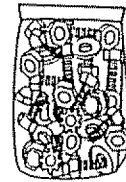
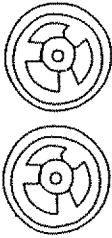
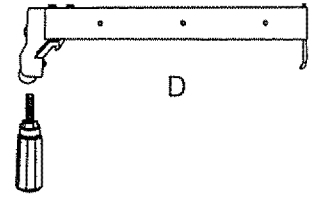
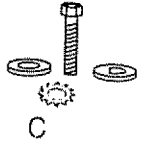
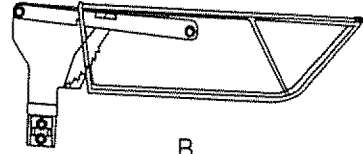
NOTE:

To make assembly easier, keep contents of box together. Apply a coat of automobile wax to the table. Wipe all parts thoroughly with a clean dry cloth. This will reduce friction when pushing the workpiece.

UNPACKING YOUR TABLE SAW:



A

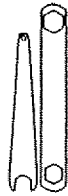
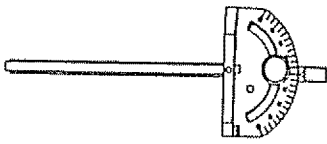


E

F

G

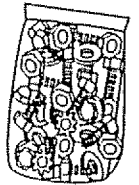
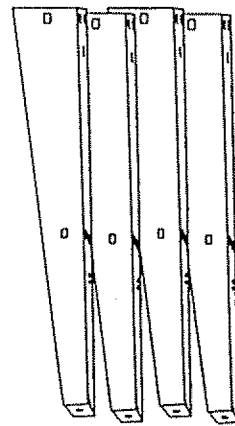
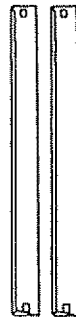
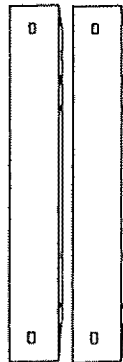
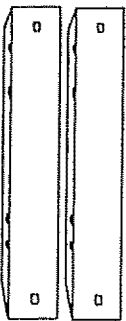
H



I

J

K



L

M

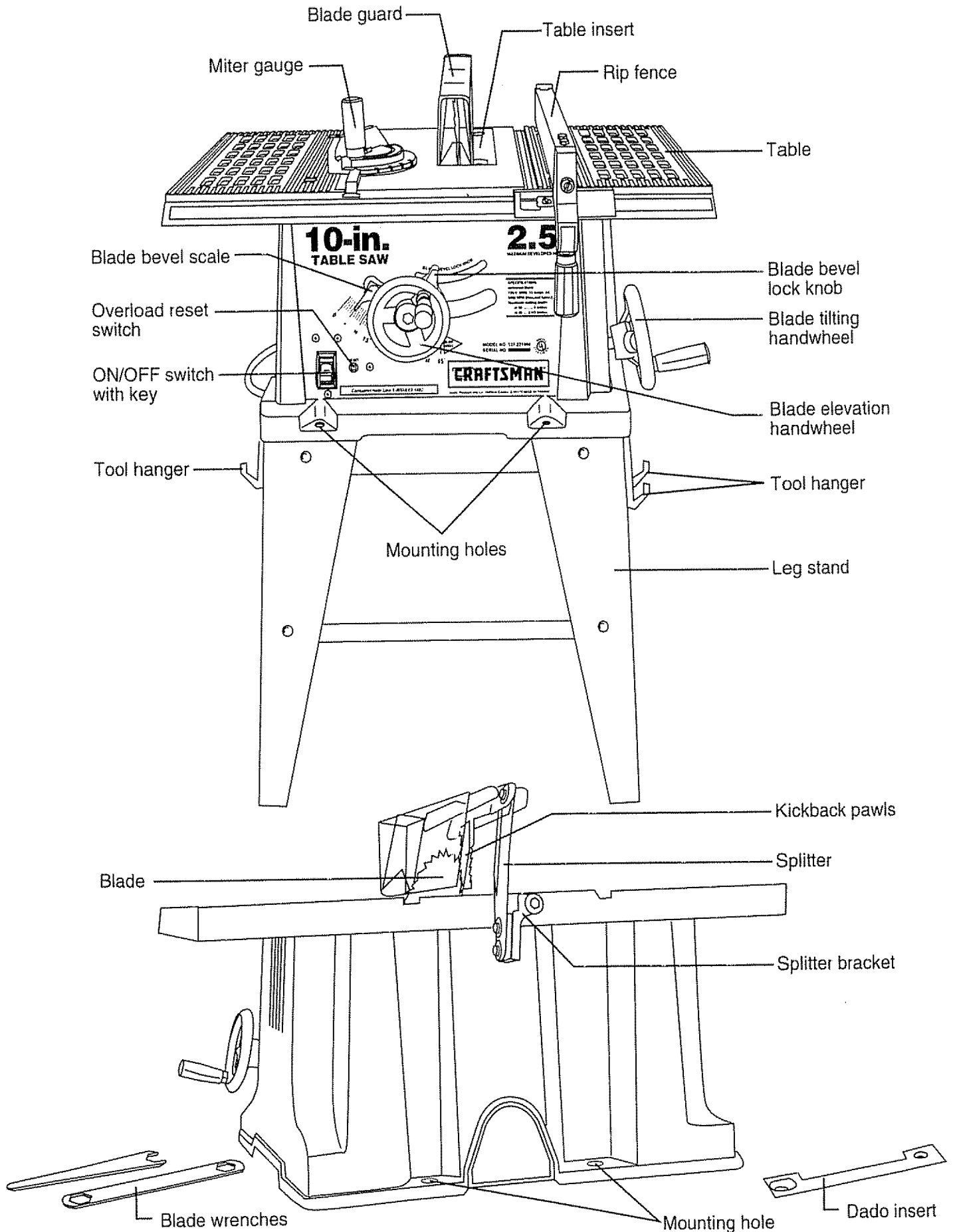
N

O

P

Q

KNOW YOUR TABLE SAW



ASSEMBLY AND ADJUSTMENTS

ASSEMBLY INSTRUCTIONS

▲ WARNING

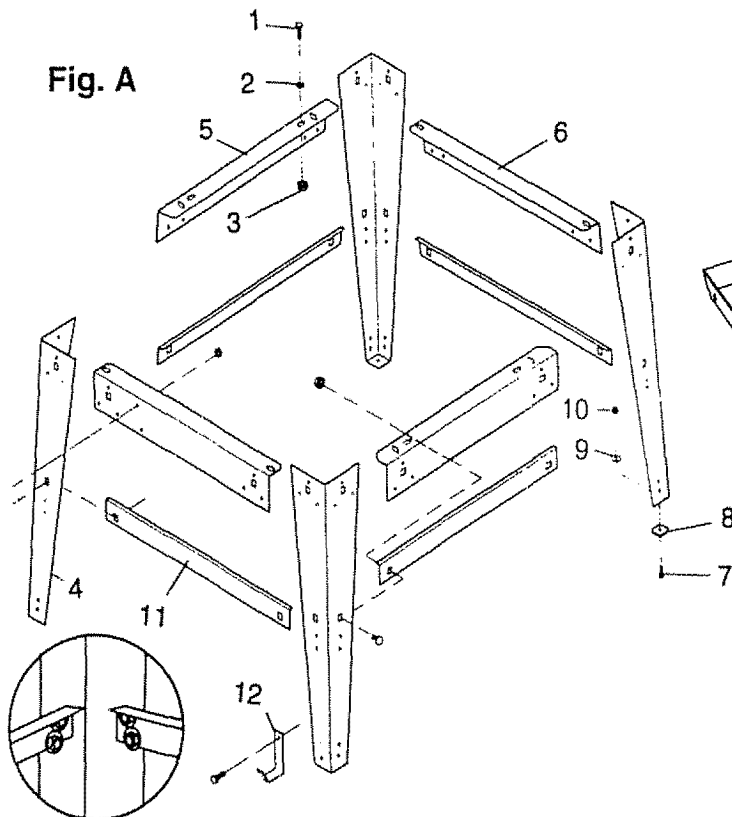
For your own safety, never connect plug to power source outlet until all assembly steps are complete, and you have read and understood the safety and operating instructions

LEG SET (FIG. A)

- 1 Separate all parts and group by size and style

NOTE : Finger tighten bolts and nuts when joining parts

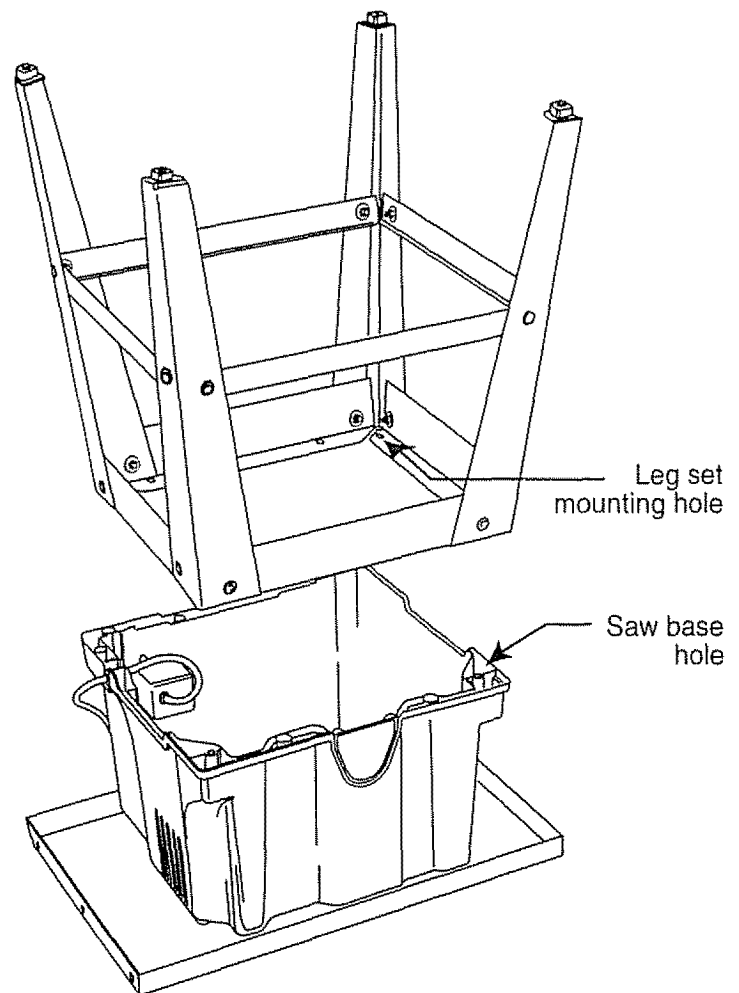
- 2 Use bolts (1), washers (2), and nuts (3) to assemble the leg set parts
- 3 Attach a leg (4) to the long top bracket (5). Attach the next leg to the opposite end of the top bracket.
- 4 Repeat this assembly for the opposite side of the leg set.
- 5 Attach the completed leg set assemblies to the short top brackets (6). Repeat on the opposite side.
- 6 Insert bolt (7) into the recessed hole pad (8).
- 7 Insert into the leg flange hole and tighten, using washer (9) and nut (10). Repeat for the three other legs.
- 8 Attach bottom brackets (11) between each leg.
- 9 Attach the hooks (12) to the frame as desired. The hooks are used to hold the fence, the blade wrenches, and miter gauge
- 10 Place the leg set on a level surface and tighten all nuts and bolts.



SAW TO LEG SET (FIG. B)

- 1 Before mounting the rip fence and miter gauge to the saw top, invert the saw table so that it is facing the floor.
- 2 Position the leg set upside down on the saw base.
- 3 Match the holes of the stand to the holes on the bottom flange of the saw base.
- 4 Secure the leg set to the saw base using bolts, washers, and nuts
- 5 When all bolts and nuts are tightened, carefully set the saw in its upright position.
- 6 Position the saw on a clean, level surface.

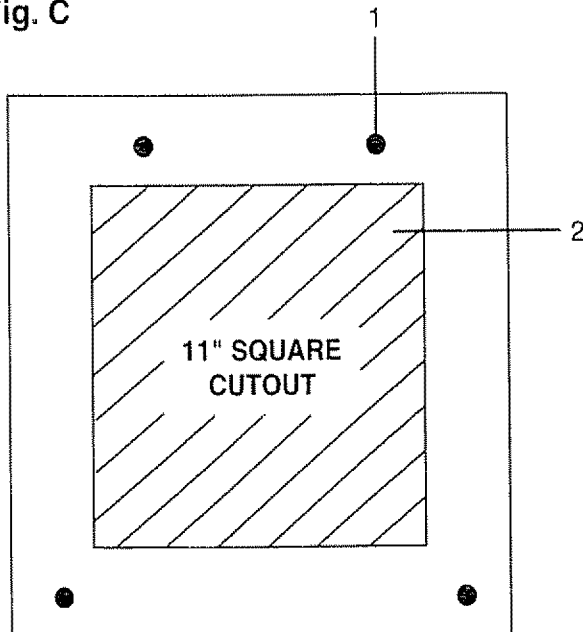
Fig. B



SAW MOUNTED TO OTHER SURFACES (FIG. C)

1. If the leg set will not be used, the saw must be properly secured to a sturdy workbench using the four mounting holes at the base of the saw.
2. The surface of the table where the saw is to be mounted must have a hole large enough to facilitate sawdust fall-through and removal.
3. Square the saw on the mounting surface and mark the location of the four 3/8" mounting holes (1).
4. Drill 3/8" holes into the mounting surface.
5. Mark an 11" square (2) centered between the four mounting holes (1).
6. Cut out and remove the square.
7. This opening will allow sawdust to fall through the saw base.
8. Place the saw on the work surface, and align the mounting holes of the saw with those drilled through the surface.
9. Fasten the saw to the work surface.

Fig. C



▲ WARNING

Failure to provide the sawdust fall-through hole will cause sawdust to build up in the motor area, which may result in fire or cause motor damage.

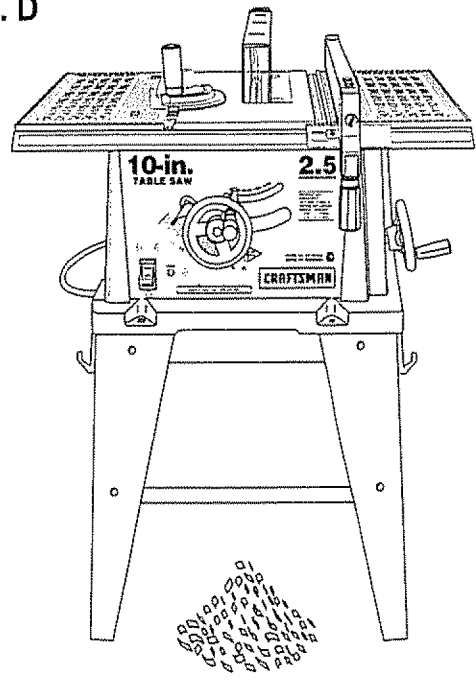
KEEPING THE AREA CLEAN (FIG. D)

1. Saw dust and wood chips that fall from under the saw will accumulate on the floor.
2. Make it a practice to pick up and discard this dust when you have completed cutting.

▲ WARNING

Always keep your work area clean, uncluttered and well lit. Do not work on floor surfaces that are slippery from sawdust or wax.

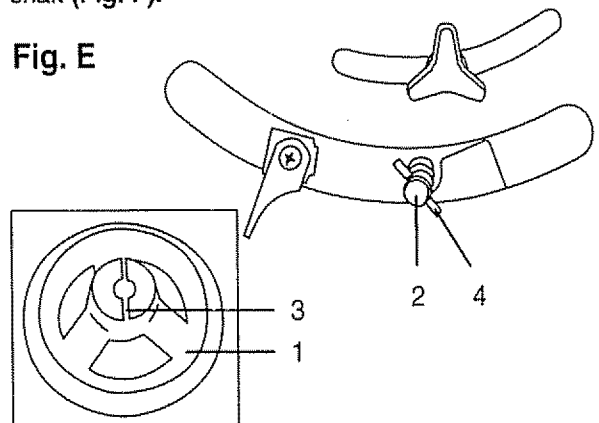
Fig. D



BLADE RAISING HANDWHEEL (FIG. E)

1. Attach the handwheel (1) to the elevation screw (2). Make sure the slots (3) in the hub of the handwheel engage with the pins (4).
2. Attach and tighten the dome nut (5) at the end of the shaft (Fig. F).

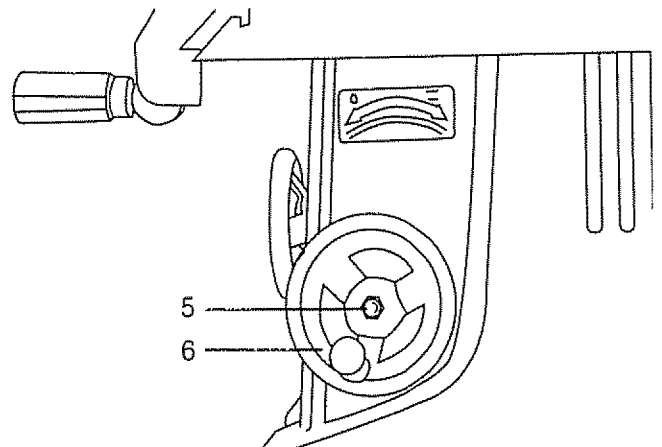
Fig. E



BLADE TILTING HANDWHEEL (FIG. F)

1. Attach the other handwheel (6) to the blade tilting screw in the same manner as above.
2. Attach and tighten the handwheel dome nut (5).

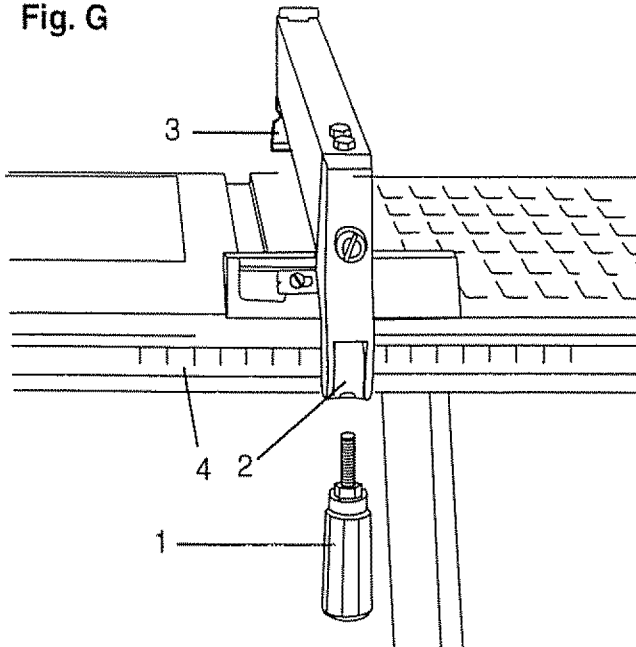
Fig. F



RIP FENCE (FIG. G)

1. Thread the fence handle (1) into the cam hole (2) until tight.
2. Lift upward on the rip fence handle (1) so that the holding clamp (3) is fully extended.
3. Place the rip fence on the saw table and engage the holding clamp (3) to the table rear. Lower the front end onto the front rail (4).
4. Push down on the fence handle (1) to lock

Fig. G



CHANGING THE BLADE (FIG. H, I, J)

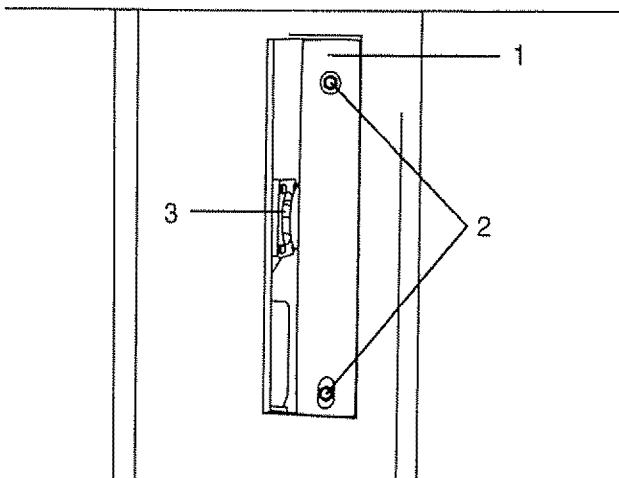
⚠ WARNING

To avoid injury from an accidental start, make sure the switch is in the OFF position and the plug is not connected to the power source outlet.

1. Remove the table insert (1) by unscrewing the two screws (2). Be careful not to lose the rubber washer that is on the back screw beneath the table insert.

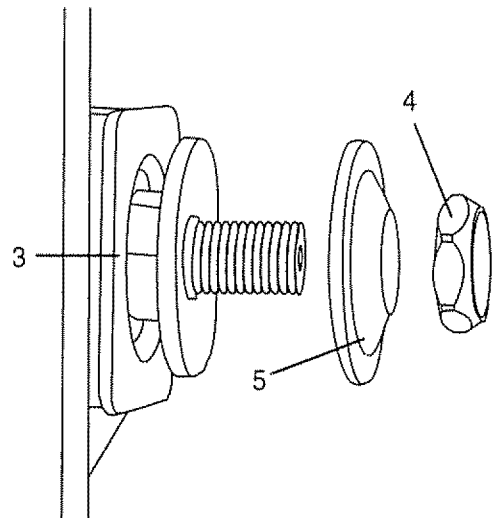
NOTE: The back screw is longer than the front screw.

Fig. H



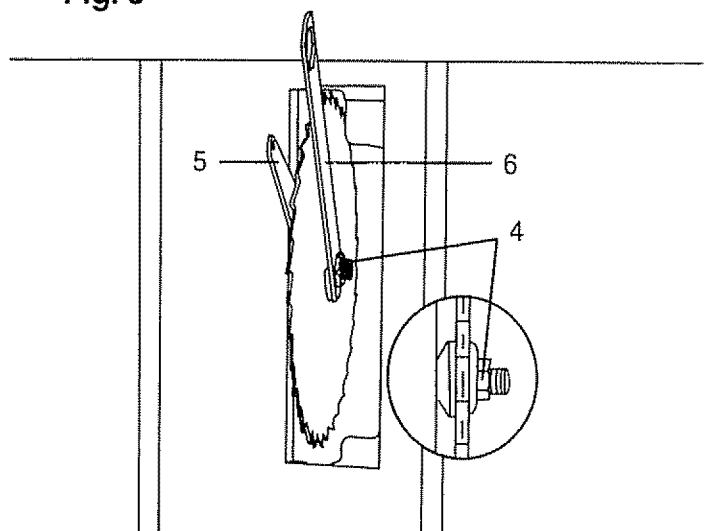
2. Raise the blade arbor (3) (FIG. I) to the maximum height by turning the blade raising handwheel counterclockwise
3. Remove the arbor nut (4) and flange (5)
4. Install the saw blade onto the arbor with the blade teeth pointing toward the front of the saw.
5. Install the flange (5) against the blade and thread the arbor nut (4) as far as possible by hand. Ensure that the blade is flush against the inner blade flange

Fig. I



6. To tighten the arbor nut (4) (FIG. J) use the open-end wrench (5) and align the wrench jaws on the flats of the saw arbor to keep the arbor from turning.
7. Place the box-end wrench (6) on the arbor nut (4), and turn clockwise (to the rear of the saw table)
8. Replace the blade insert in the table recess, insert screws through the front and rear holes and tighten.

Fig. J



⚠ WARNING

To avoid injury from a thrown workpiece, blade parts, or blade contact, never operate saw without the proper insert in place. Use the saw blade insert when sawing. Use the dado head insert when using a dado.

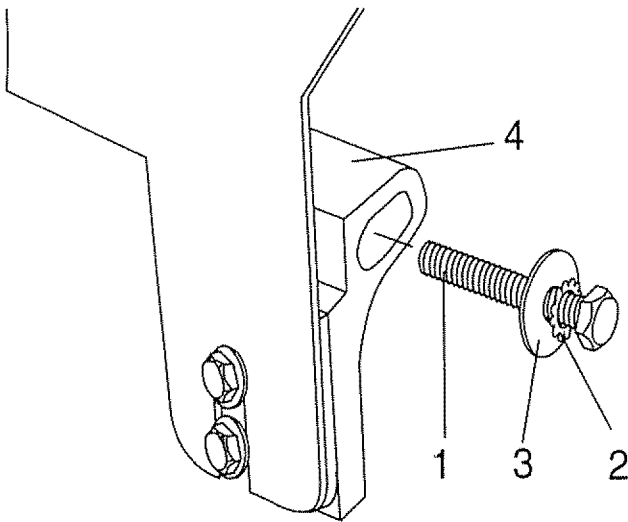
BLADE GUARD ASSEMBLY (FIG. K, L, M, N)

▲ WARNING

To avoid injury from an accidental start, make sure the switch is in the OFF position and the plug is not connected to the power source outlet.

1. Set the blade to maximum height and the tilt to zero degrees on the bevel scale. Lock the blade lock knob.
2. Place the external tooth lockwasher (2) followed by a flat washer (3) onto the long bolt (1).
3. Insert this bolt through the splitter bracket (4) on the back of the guard assembly.

Fig. K



4. Insert this assembly into the pivot rod (5) (FIG. L and M) at the rear of the saw table and tighten.

NOTE: Blade guard and splitter assembly removed from the splitter bracket illustration for clarity.

Fig. L

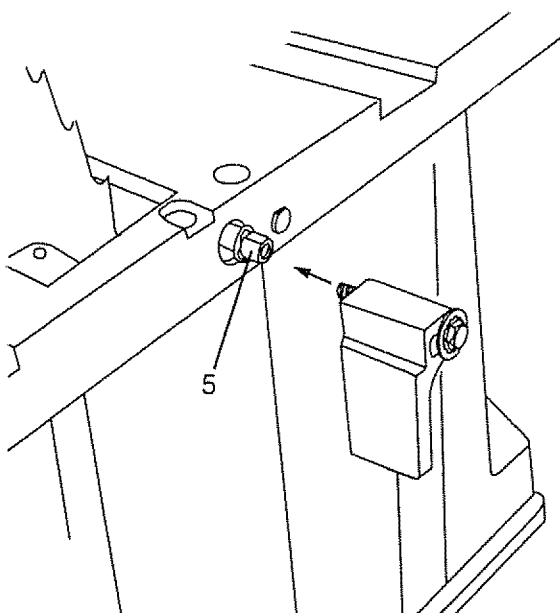
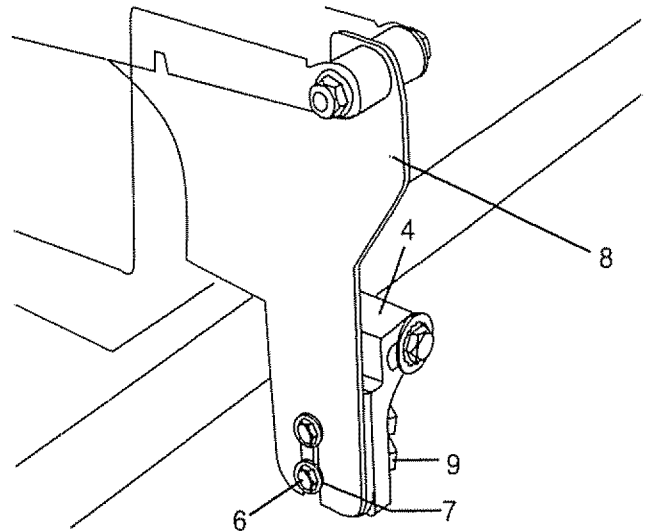


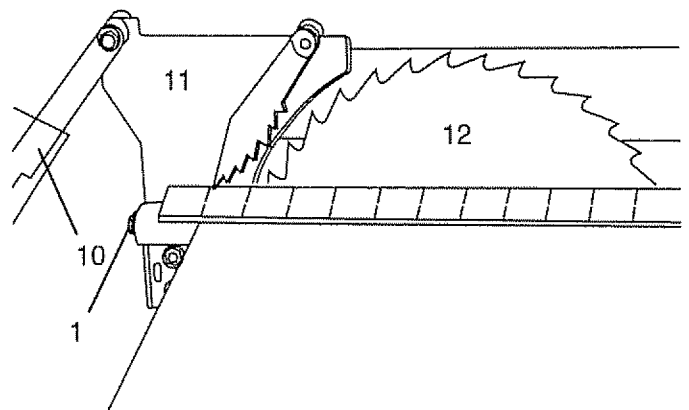
Fig. M



5. Position the blade guard arm (10) (Fig. N) to the rear.
6. Using a straight edge, check to see that the blade guard splitter (11) is aligned with the saw blade (12).
7. If straightening adjustment is necessary, the splitter (11) can be shifted to the left or to the right, and rotated.
8. When you are certain the splitter (11) is properly aligned with the saw blade, tighten the bolt (1)

NOTE: The splitter (11) must always be correctly aligned so that the cut workpiece will pass on either side of the splitter without binding or twisting to the side.

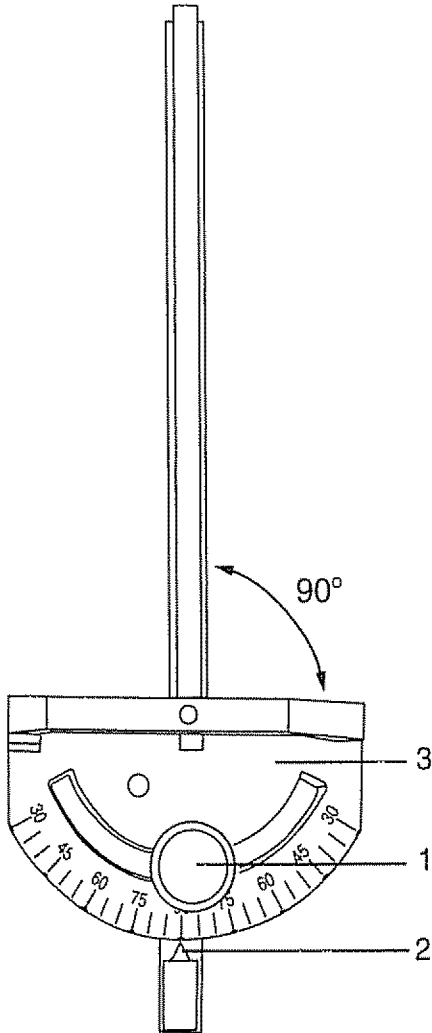
Fig. N



MITER GAUGE ADJUSTMENT (FIG. O)

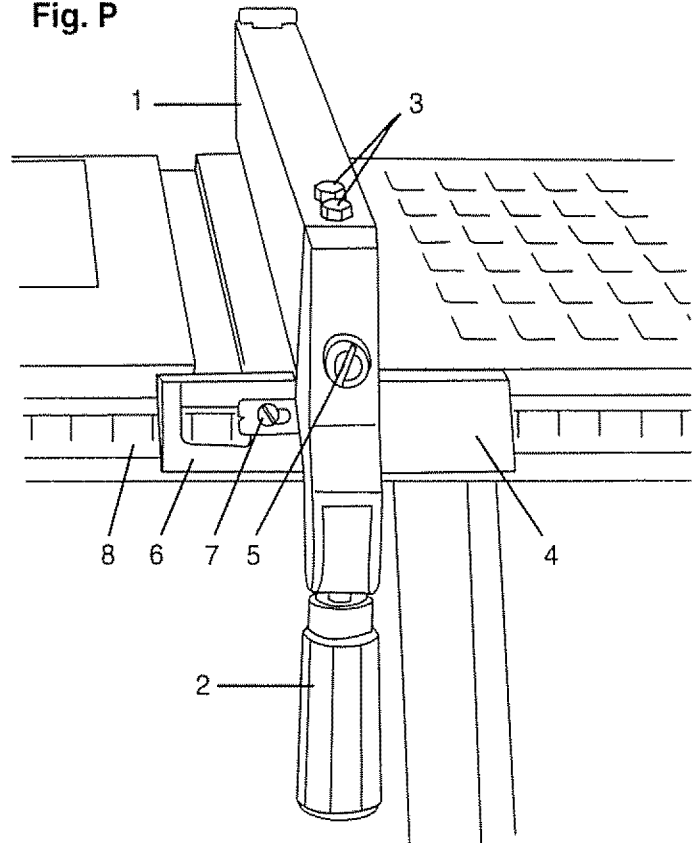
- 1 Make sure that the miter gauge will slide freely through both table grooves.
- 2 Loosen the lock knob (1). Set the pointer (2) to the 90° mark on the scale.
- 3 Make a 90° cut in a piece of scrap wood. Check cut piece to see if it was cut at 90°. If it is not, continue to adjust the miter gauge body (3) until the wood piece is cut at 90°.

Fig. O



- 3 Lock the fence handle. The fence should be parallel with the miter gauge groove.
- 4 If adjustment is needed to make the fence parallel to the groove, do the following:
 - Loosen the two screws (3) and lift up on the handle (2).
 - Hold the fence bracket (4) firmly against the front of the saw table. Move the far end of the fence until it is parallel with the miter gauge groove.
 - Tighten both screws and push the handle to lock.
- 5 If fence is loose when the handle is in the locked (downward) position, do the following:
 - Move the handle (2) upward and turn the adjusting screw (5) clockwise until the rear clamp is snug. Do not turn the adjusting screw more than 1/4 turn at a time.
 - Over-tightening the adjusting screw will cause the fence to come out of alignment.

Fig. P



ADJUSTMENT INSTRUCTIONS

RIP FENCE ADJUSTMENT (FIG. P)

⚠ WARNING

To avoid injury from an accidental start, make sure the switch is in the OFF position and the plug is not connected to the power source outlet.

- 1 The fence (1) is moved by lifting up on the handle (2) and sliding the fence to the desired location. Pushing down on the handle locks the fence in position.
- 2 Position the fence on the right side of the table, and along one edge of the miter gauge grooves.

RIP FENCE INDICATOR ADJUSTMENT (FIG. P)

- 1 The rip fence indicator (6) points to the measurement scale (8). The scale shows the distance from the side of the fence to the nearest side of the blade.
- 2 Measure the actual distance with a rule. If there is a difference between the measurement and the indicator, adjust the indicator (6).
- 3 Loosen the screw (7) and slide the indicator to the correct measurement on the scale. Tighten screw and remeasure with the rule.

▲ WARNING

To avoid injury from an accidental start, make sure the switch is in the OFF position and the plug is not connected to the power source outlet.

ADJUSTING THE 90° AND 45° POSITIVE STOPS (FIG. Q, R)

Your saw has positive stops that will quickly position the saw blade at 90° or 45° to the table. These stops were set at the factory. Make adjustments only if necessary.

90° Stop

1. Disconnect the saw from the power source
2. Turn the blade elevation handwheel and raise the blade to the maximum elevation.
3. Loosen the blade bevel lock knob and move the blade to the maximum vertical position. Tighten the lock knob.
4. Place a combination square on the table and against the blade (1) to determine if the blade is 90° to the table. (FIG. Q)
5. If the blade is not 90° to the table, loosen the two set screws (4), located on the bottom of the table saw, (FIG. R) with the hex key, and back off the collar (5).
6. Loosen the bevel lock knob. Turn the blade tilting handwheel to move the blade until it is 90° to the table
7. Adjust the collar (5) so it contacts the bracket (3) when the blade is 90° to the table. Tighten the two set screws (4).

Fig. Q

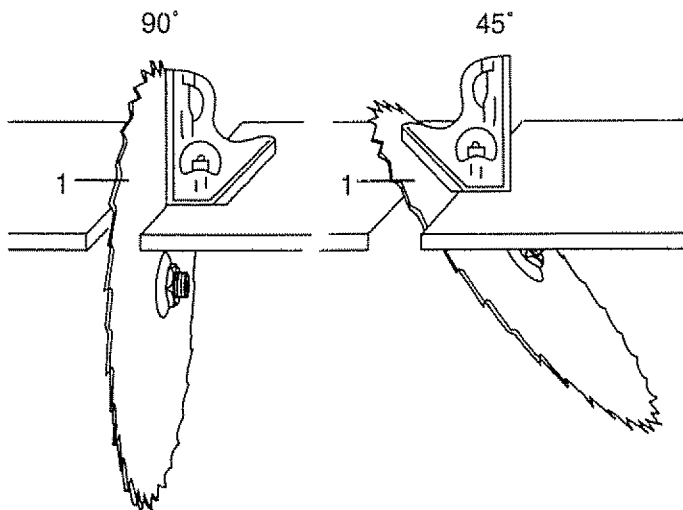
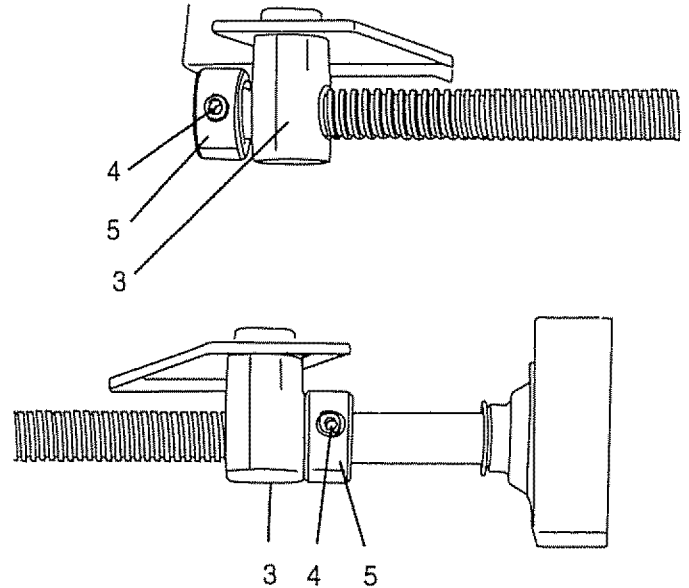


Fig. R



45° Stop

1. With the blade in the upright 90° position, loosen the bevel lock knob. Turn the blade tilting handwheel and move the blade to the 45° position as far as it will go.
2. Place the combination square on the table as shown in (FIG. Q) to check if the blade is 45° to the table.
3. If the blade is not 45° to the table, loosen the two set screws (4) located under the table saw (FIG. R) with a 3 mm hex key, and back off the collar (5).
4. Loosen the bevel lock knob, turn the tilting handwheel to move the blade until it is 45° to the table.
5. Adjust the collar (5) so it contacts the bracket (3) when the blade is 45°. Tighten set screws (4).

BLADE TILT INDICATOR

1. When the blade is positioned at 90°, adjust the blade tilt pointer to read 0° on the scale.
2. Loosen the holding screw, position pointer over 0° and tighten screw.

NOTE: Make a trial cut on scrap wood when making critical cuts. Measure for exactness.

BLADE PARALLEL TO THE MITER GAUGE GROOVE (FIG. S)

⚠ WARNING

To prevent personal injury, always disconnect plug from the power source when making any adjustments.

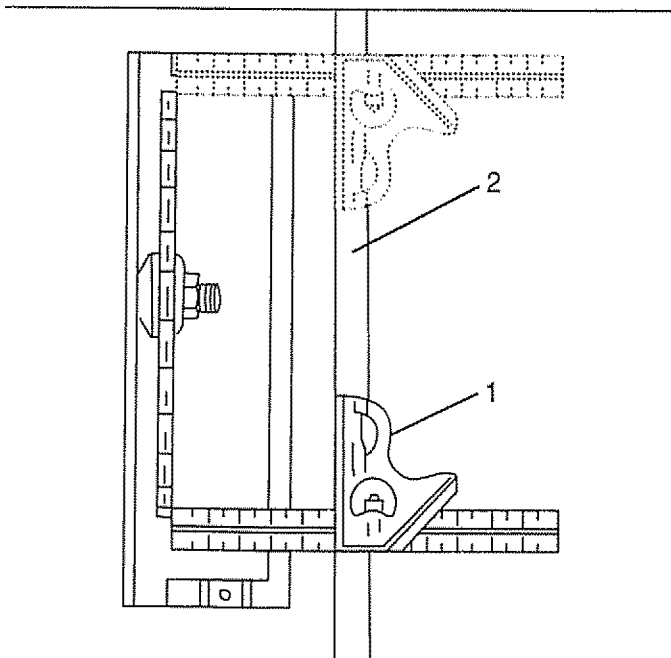
This adjustment was made at the factory, but it should be rechecked and adjusted if necessary.

⚠ WARNING

This adjustment must be correct or kickback could result and accurate cuts cannot be made.

1. Remove the yellow switch key and unplug the saw.
2. Move the blade guard out of the way.
3. Raise the blade to the highest position and set at the 0° angle (90° straight up).
4. Select and mark, with a felt tip marker, a blade tooth having a "right set".
5. Place the combination square base (1) into the right side miter gauge groove (2). (FIG. S)
6. Adjust the rule so it touches the front marked tooth and lock ruler so it holds its position in the square assembly.
7. Rotate the blade bringing the marked tooth to the rear and about 1/2 inch above the table.
8. Carefully slide the combination square to the rear until the ruler touches the marked tooth.
9. If the ruler touches the marked tooth at the front and rear positions, no adjustment is needed at this time.

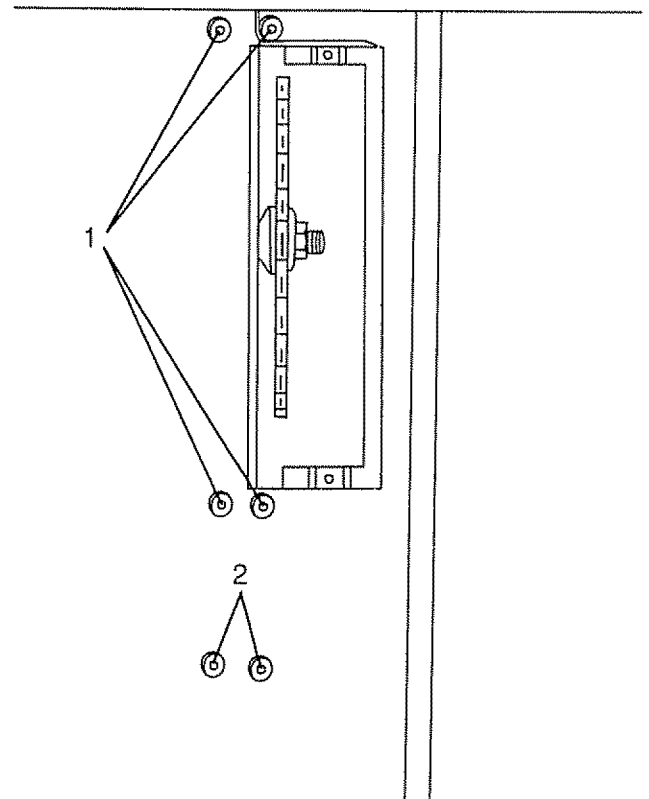
Fig. S



ADJUSTING THE BLADE TO BE PARALLEL TO THE MITER GAUGE GROOVE (FIG. T)

1. If the front and rear measurements are not the same, remove the combination square and loosen the four adjusting screws (1) on the top of the table about a half turn.
2. With a folded piece of cardboard covering the blade to protect your hands, move the blade carefully to the left or right as much as needed to align the blade correctly.
3. Tighten the four screws (1) and remeasure, as described in steps 4 to 9 in the prior section.
4. If sufficient adjustment cannot be made by the adjusting screws (1), then also loosen the two adjustment screws (2). Loosen these screws (2) only if necessary.
5. Recheck blade clearance making sure that the blade does not hit the table insert or other parts when at the 90° and 45° settings.
6. Tighten all screws.

Fig. T



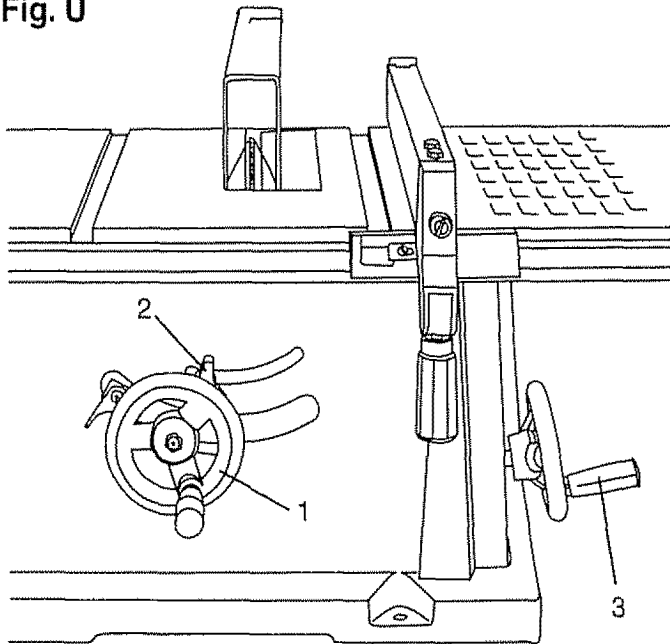
OPERATION

BASIC SAW OPERATIONS

RAISING THE BLADE (FIG. U)

To raise or lower the blade, turn the blade elevation handwheel (1) to the desired blade height, and then tighten lock handle (2) to maintain the desired blade angle.

Fig. U



TILTING THE BLADE (FIG. U)

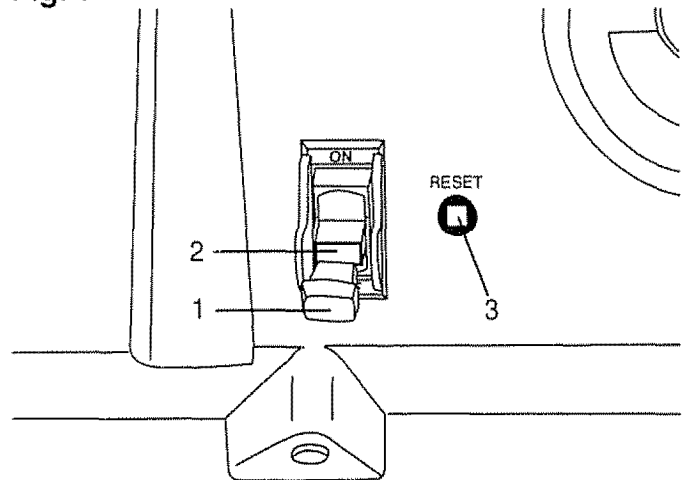
To tilt the saw blade for bevel cutting, loosen the lock knob (2) and turn the tilting handwheel (3). Tighten the lock knob (2) to secure.

ON / OFF SWITCH (FIG. V)

The ON / OFF switch has a removable key. With the key removed from the switch, unauthorized and hazardous use by children and others is minimized.

1. To turn the saw ON, insert key (1) into the slot in the switch (2). Move the switch upward to the ON position.
2. To turn the saw OFF, move the switch downward.
3. To lock the switch in the OFF position, grasp the end (or yellow part) of the switch toggle (1), and pull it out.
4. With the switch key removed, the switch will not operate.
5. If the switch key is removed while the saw is running, it can be turned OFF but cannot be restarted without inserting the switch key (1).

Fig. V



OVERLOAD PROTECTION (FIG. V)

This saw has a reset overload relay button (3) that will restart the motor after it shuts off due to overloading or low voltage. If the motor stops during operation, turn the ON / OFF switch to the OFF position. Wait about five minutes for the motor to cool. Push in on the reset button (3) and turn the switch to the ON position.

▲ WARNING

To avoid injury, the ON / OFF switch should be in the OFF position and the plug removed from the power source while the cool down takes place, to prevent accidental starting when the reset button is pushed. Overheating may be caused by misaligned parts or dull blade. Inspect your saw for proper setup before using it again.

CUTTING OPERATIONS

There are two basic types of cuts: ripping and crosscutting. Ripping is cutting along the length and the grain of the workpiece. Crosscutting is cutting either across the width or across the grain of the workpiece. Neither ripping nor crosscutting may be done safely freehand. Ripping requires the use of the rip fence, and crosscutting requires the miter gauge.

WARNING

Before using the saw each and every time, check the following:

1. Blade is tight on the arbor.
2. Bevel angle lock knob is tight.
3. If ripping, fence knob is tight and fence is parallel to the miter gauge grooves.
4. Blade guard is in place and working properly.
5. Safety glasses are being worn.

The failure to adhere to these common safety rules, and those printed in the front of this manual, can greatly increase the likelihood of injury.

RIPPING (FIG. W, X)

⚠ WARNING

Do not allow familiarity gained from the frequent use of your table saw to cause careless mistakes. Remember that even a careless fraction of a second is enough to cause a severe injury.

1. Remove the miter gauge. Secure the rip fence to the table.
2. Raise the blade so it is about 1/8" higher than the top of the workpiece.
3. Place the workpiece flat on the table and against the fence. Keep the workpiece about 1" away from the blade.

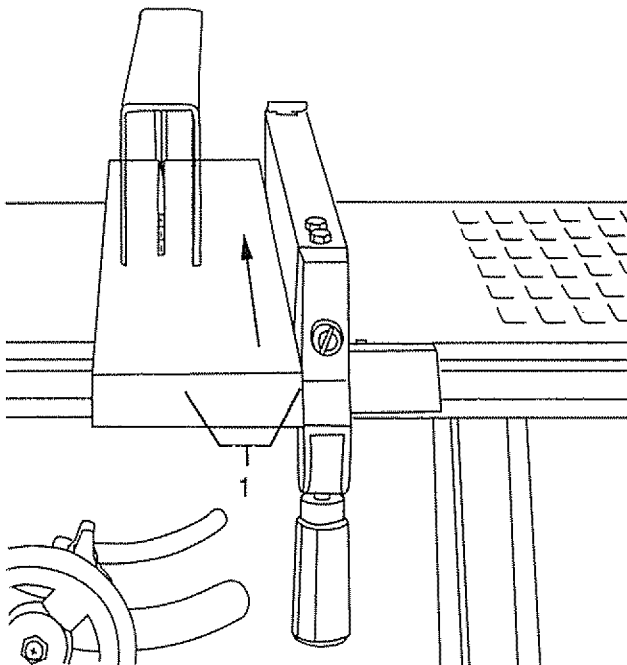
CAUTION: The workpiece must have a straight edge against the fence and must not be warped, twisted, or bowed.

4. Turn the saw ON and wait for the blade to come up to speed.
5. Slowly feed the workpiece into the blade by pushing forward only on the workpiece section (1) that will pass between the blade and the fence. (FIG. W)

⚠ WARNING

AVOID KICKBACK by pushing forward that section of the workpiece that will pass between the blade and the fence.

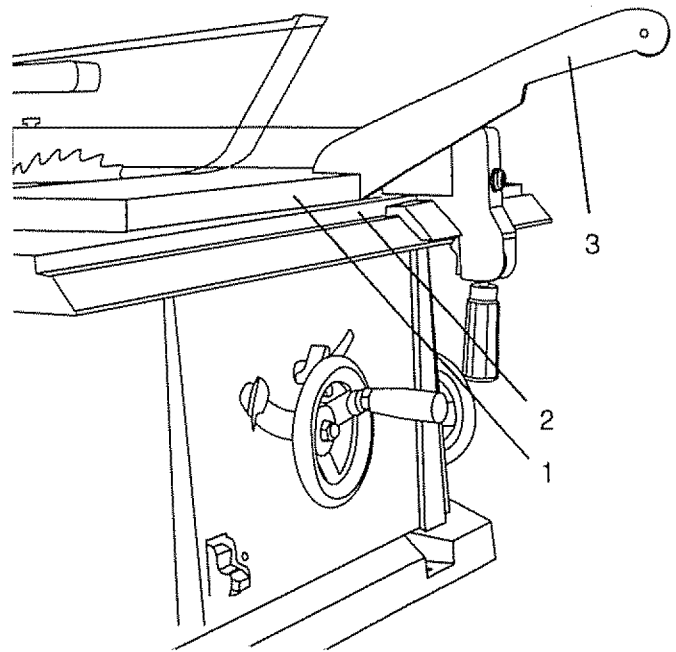
Fig. W



6. Keep your thumbs off the table top. When both of your thumbs touch the front edge of the table (2), finish the cut with a push stick. Make a push stick using the pattern on page 26.
7. The push stick (3) should always be used when the ripped workpiece is 2" or narrower (1). (FIG. X)
8. Continue pushing the workpiece with the push stick (3) until it passes the blade guard and clears the rear of the table.

9. Never pull the workpiece back when the blade is turning. Turn the switch OFF. When the blade completely stops, raise the anti-kickback pawls on each side of the splitter and slide the workpiece out.

Fig. X



BEVEL RIPPING

This cut is the same as ripping except the blade bevel angle is set to an angle other than 0°.

⚠ WARNING

Cut only with the workpiece and the fence on the right side of the blade.

RIPPING SMALL PIECES

⚠ WARNING

Avoid injury from blade contact. Never make through-saw cuts narrower than 1/2" wide.

1. It is unsafe to rip small pieces. Instead, rip a larger piece to obtain the size of the desired piece.
2. When a small width is to be ripped and your hand cannot be safely put between the blade and the rip fence, use one or more push sticks to move the workpiece.

CROSSCUTTING (FIG. Y)

⚠ WARNING

Do not allow familiarity gained from the frequent use of your table saw to cause careless mistakes. Remember that even a careless fraction of a second is enough to cause a severe injury.

1. Remove the rip fence and place the miter gauge in the left side groove.
2. Adjust the blade height so it is 1/8" higher than the top of the workpiece
3. Hold the workpiece firmly against the miter gauge with the blade path in line with the desired cut location. Move the workpiece to one inch distance from the blade.

⚠ WARNING

Keep both hands away from the blade and the path of the blade

4. Start the saw and wait for the blade (1) to come up to full speed.
5. Keep the workpiece (2) against the face of the miter gauge (3) and flat against the face of the gauge and flat against the table. Then slowly push the workpiece through the blade (FIG. Y).
6. Do not try to pull the workpiece back with the blade turning. Turn the switch OFF, and carefully slide the workpiece out when the blade is completely stopped.

Fig. Y

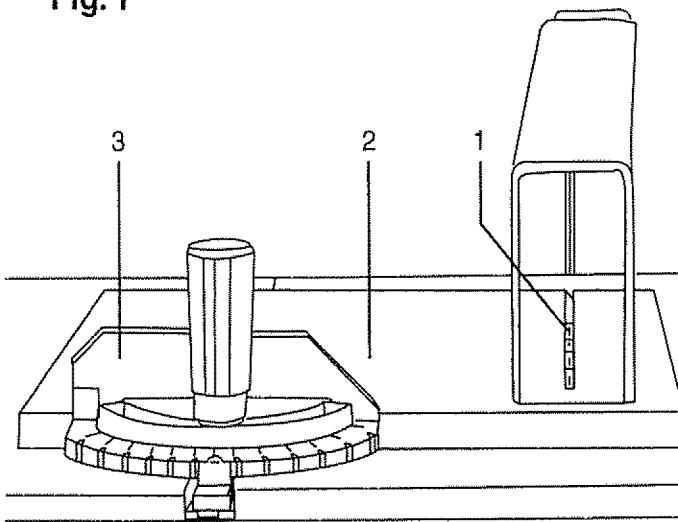
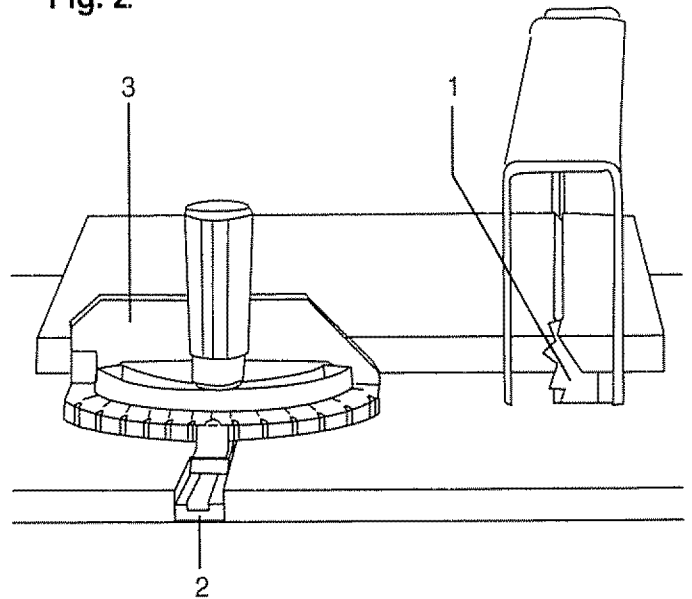


Fig. Z

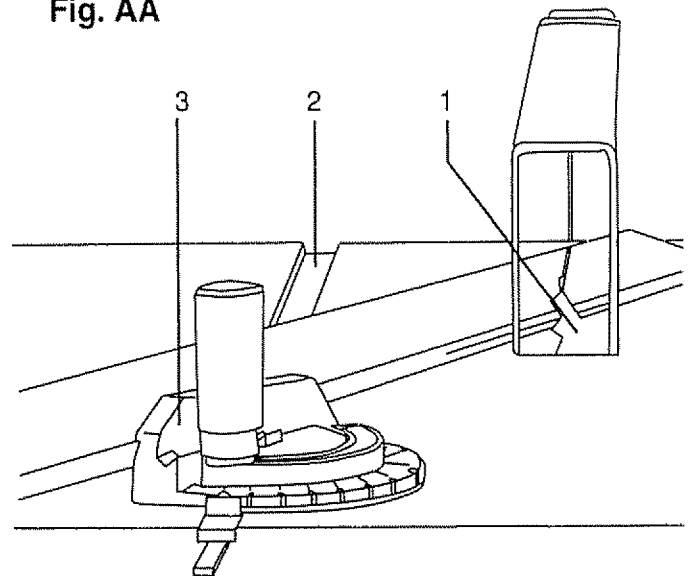


COMPOUND MITER CROSSCUTTING (FIG. AA)

This sawing operation is combining a miter angle with a bevel angle.

1. Set the miter gauge (3) to the desired angle. Use only the left side groove (2).
2. Set the blade (1) bevel to the desired angle.
3. Carefully push the miter gauge to begin the cutting operation

Fig. AA



BEVEL CROSSCUTTING (FIG. Z)

This cutting operation is the same as crosscutting except the blade is at bevel angle other than 0°.

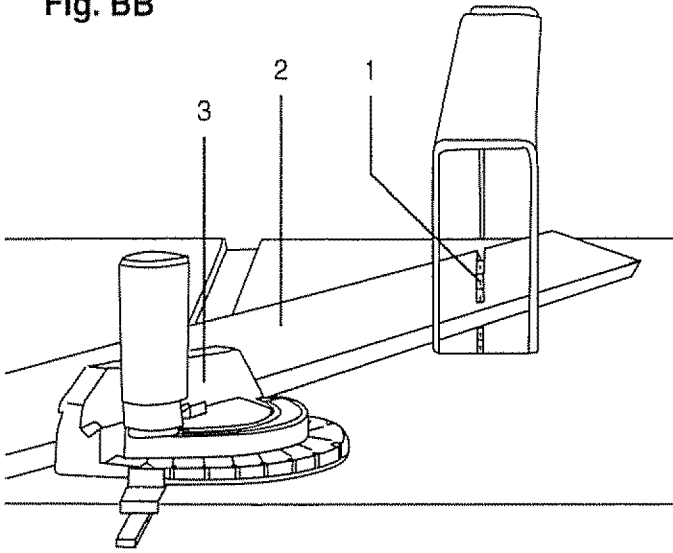
1. Adjust the blade (1) to the desired angle, and tighten the blade bevel lock knob.
2. Always work to the left side of the blade. The miter gauge (3) must be in the left side groove (2). It cannot be used in the right side groove unless the miter angle is very sharp, as it will interfere with the blade guard.

MITERING (FIG. BB)

This sawing operation is the same as crosscutting except the miter gauge is locked at an angle other than 90°.

1. Hold the workpiece (2) firmly against the miter gauge (3).
2. Feed the workpiece slowly into the blade (1) to prevent the workpiece from moving.

Fig. BB

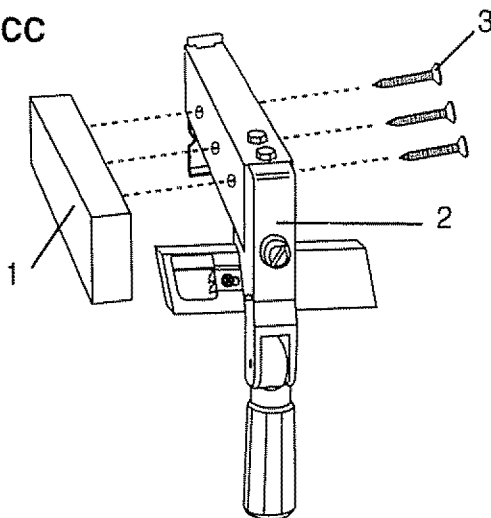


USING WOOD FACING ON THE RIP FENCE (FIG. CC)

When performing some special cutting operations, add a wood facing (1) to either side of the rip fence (2):

1. Use a smooth straight 3/4" thick wood board (1) that is as long as the rip fence.
2. Attach the wood facing to the fence with wood screws (3) through the holes in the fence. A wood fence should be used when ripping material such as thin paneling to prevent the material from catching between the bottom of the fence and the table.

Fig. CC



DADO CUTS (FIG. DD)

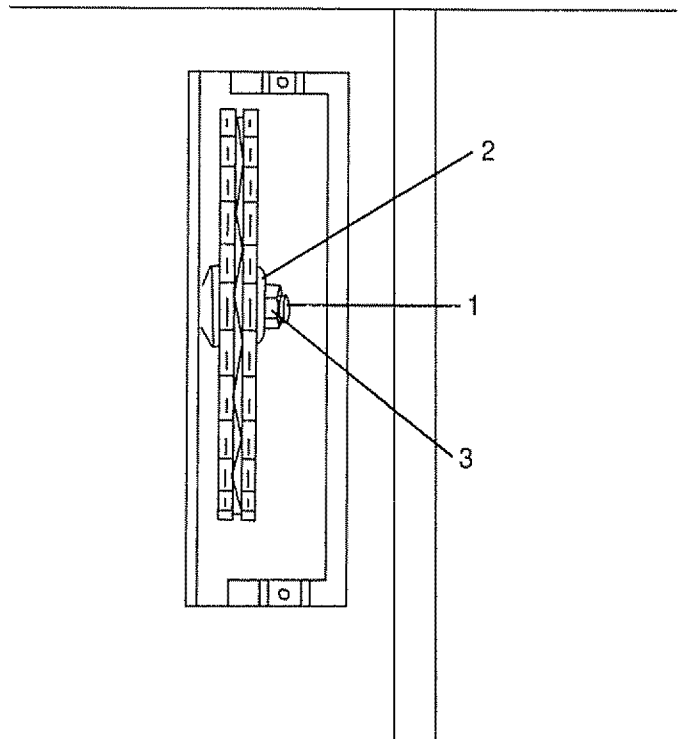
1. The dado table insert is included with this saw. Remove saw blade, blade guard, installed dado, and dado table insert.
2. Instructions for operating the dado are packed with the separately purchased dado set.
3. The arbor (1) on this saw restricts the maximum width of the cut to 1/2".

4. It is not necessary to install the outside flange (2) before screwing on the arbor nut (3). Make sure that the arbor nut (3) is tight, and that at least one thread of the arbor sticks out past the nut.
5. Use only the 6" dado set and keep the width 1/2" or less. It will be necessary to remove the blade guard and splitter when using dado. Use caution when dado is operating.
6. Use only the correct number of round outside blades and inside chippers as shown in the dado set's instruction manual. Blade or chipper must not exceed 1/2".
7. Check saw to ensure that the dado will not strike the housing, insert, or motor when in operation.

▲ WARNING

For your own safety, always replace the blade, blade guard assembly, and blade insert when you are finished with the dado operation.

Fig. DD



MAINTENANCE

MAINTAINING YOUR TABLE SAW

GENERAL MAINTENANCE

▲ WARNING

For your own safety, turn the switch OFF and remove the switch key. Remove the plug from the power source outlet before maintaining or lubricating your saw.

1. Clean out all sawdust that has accumulated inside the saw cabinet and the motor
2. Polish the saw table with an automotive wax to keep it clean and to make it easier to slide the workpiece.
3. Clean cutting blades with pitch and gum remover
4. A worn, cut, or damaged power cord should be replaced immediately.

▲ WARNING

All electrical or mechanical repairs should be attempted only by a trained repair technician. Contact the nearest Sears Service Center for service. Use only identical replacement parts. Any other parts may create a hazard.

5. Use liquid dish washing detergent and water to clean all plastic parts.

NOTE: Certain cleaning chemicals can damage plastic parts.

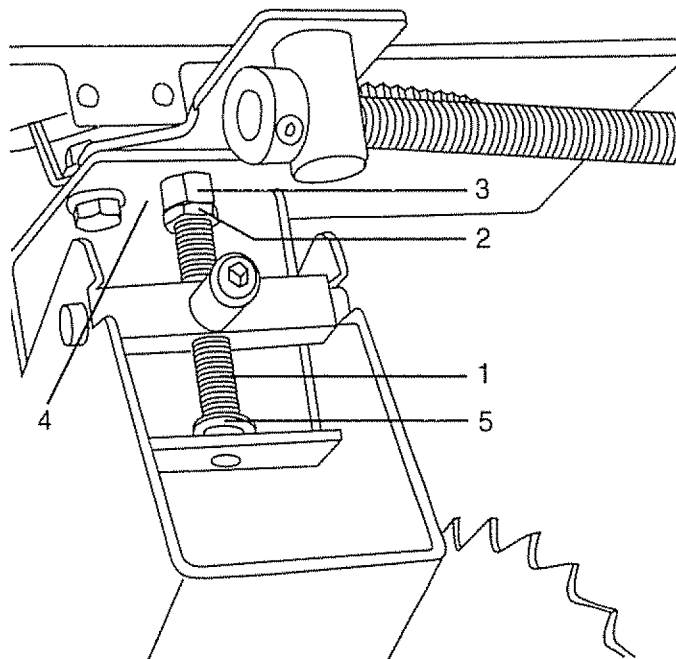
6. Avoid use of the following cleaning chemicals or solvents: gasoline, carbon tetrachloride, chlorinated solvents, ammonia and household detergents containing ammonia.

BLADE RAISING AND TILTING MECHANISM

After each five hours of operation, the blade raising mechanism and tilting mechanism should be checked for looseness, binding, or other abnormalities. With the saw disconnected from the power source, turn the saw upside down and alternately pull upward and downward on the motor unit. Observe any movement of the motor mounting mechanism. Looseness or play in the blade raising screw (1) (FIG. EE) should be adjusted as follows:

1. Loosen nut (2).
2. Adjust nut (3) until it is finger-tight against the bracket (4), then back off the nut (3) 1/6 turn.
3. Tighten nut (2) while holding nut (3). Maximum allowable play of screw rod (1) is 4 mm.

Fig. EE



Place a small amount of dry lubricant such as graphite or silicon on screw rod (1) at thrust washer (5). Do not oil threads of screw rods (1). Screw rod (1) must be kept clean and free of saw dust, gum, pitch, and other contaminants for smooth operation.

If excessive looseness is observed in any other part of the blade raising mechanism or tilting mechanism, take the complete unit to a Sears Service Center.

LUBRICATION

All motor bearings are permanently lubricated at the factory and require no additional lubrication. On all mechanical parts of your table saw where a pivot or threaded rod are present, lubricate using graphite or silicone. These dry lubricants will not hold sawdust as would oil or grease.

TROUBLESHOOTING

TROUBLESHOOTING GUIDE

▲ WARNING

To avoid injury from an accidental start, turn the switch OFF and always remove the plug from the power source before making any adjustments.

- Consult your local Sears Service Center if for any reason the motor will not run.

SYMPTOM	POSSIBLE CAUSES	CORRECTIVE ACTION
Saw will not start	<ol style="list-style-type: none"> 1. Saw not plugged in 2. Fuse blown or circuit breaker tripped 3. Cord damaged 	<ol style="list-style-type: none"> 1. Plug in saw 2. Replace fuse or reset circuit breaker 3. Have cord replaced by a Sears Service Center
Does not make accurate 45° and 90° rip cuts	<ol style="list-style-type: none"> 1. Positive stop not adjusted correctly 2. Tilt angle pointer not set accurately 	<ol style="list-style-type: none"> 1. Check blade with square and adjust positive stop 2. Check blade with square and adjust pointer to zero
Material pinches blade when ripping	<ol style="list-style-type: none"> 1. Rip fence not aligned with blade 2. Warped wood, edge against fence is not straight 	<ol style="list-style-type: none"> 1. Check and adjust rip fence 2. Select another piece of wood
Material binds on splitter	<ol style="list-style-type: none"> 1. Splitter not aligned correctly with blade 	<ol style="list-style-type: none"> 1. Check and align splitter with blade
Saw makes unsatisfactory cuts	<ol style="list-style-type: none"> 1. Dull blade 2. Blade mounted backwards 3. Gum or pitch on blade 4. Incorrect blade for work being done 5. Gum or pitch on table causing erratic feed 	<ol style="list-style-type: none"> 1. Replace blade 2. Turn blade around 3. Remove blade and clean with turpentine and coarse steel wool 4. Change the blade 5. Clean table with turpentine and steel wool
Material kicked back from blade	<ol style="list-style-type: none"> 1. Rip fence out of alignment 2. Splitter not aligned with blade 3. Feeding stock without rip fence 4. Splitter not in place 5. Dull blade 6. The operator letting go of material before it is past saw blade 7. Miter angle lock knob is not tight 	<ol style="list-style-type: none"> 1. Align rip fence with miter gauge slot 2. Align splitter with blade 3. Install and use rip fence 4. Install and use splitter (with guard) 5. Replace blade 6. Push material all the way past saw blade before releasing work 7. Tighten knob
Blade does not raise or tilt freely	<ol style="list-style-type: none"> 1. Sawdust and dirt in raising and tilting mechanisms 	<ol style="list-style-type: none"> 1. Brush or blow out loose dust and dirt
Blade does not come up to speed	<ol style="list-style-type: none"> 1. Extension cord too light or too long 2. Low house voltage 	<ol style="list-style-type: none"> 1. Replace with adequate size cord 2. Contact your electric company
Machine vibrates excessively	<ol style="list-style-type: none"> 1. Saw not mounted securely to workbench 2. Bench on uneven floor 3. Damaged saw blade 	<ol style="list-style-type: none"> 1. Tighten all mounting hardware 2. Reposition on flat level surface. Fasten to floor if necessary. 3. Replace blade
Does not make accurate 45° and 90° cross cuts	<ol style="list-style-type: none"> 1. Miter gauge out of adjustment 	<ol style="list-style-type: none"> 1. Adjust miter gauge

PARTS

10" TABLE SAW PARTS LIST

MODEL NO. 137.221960

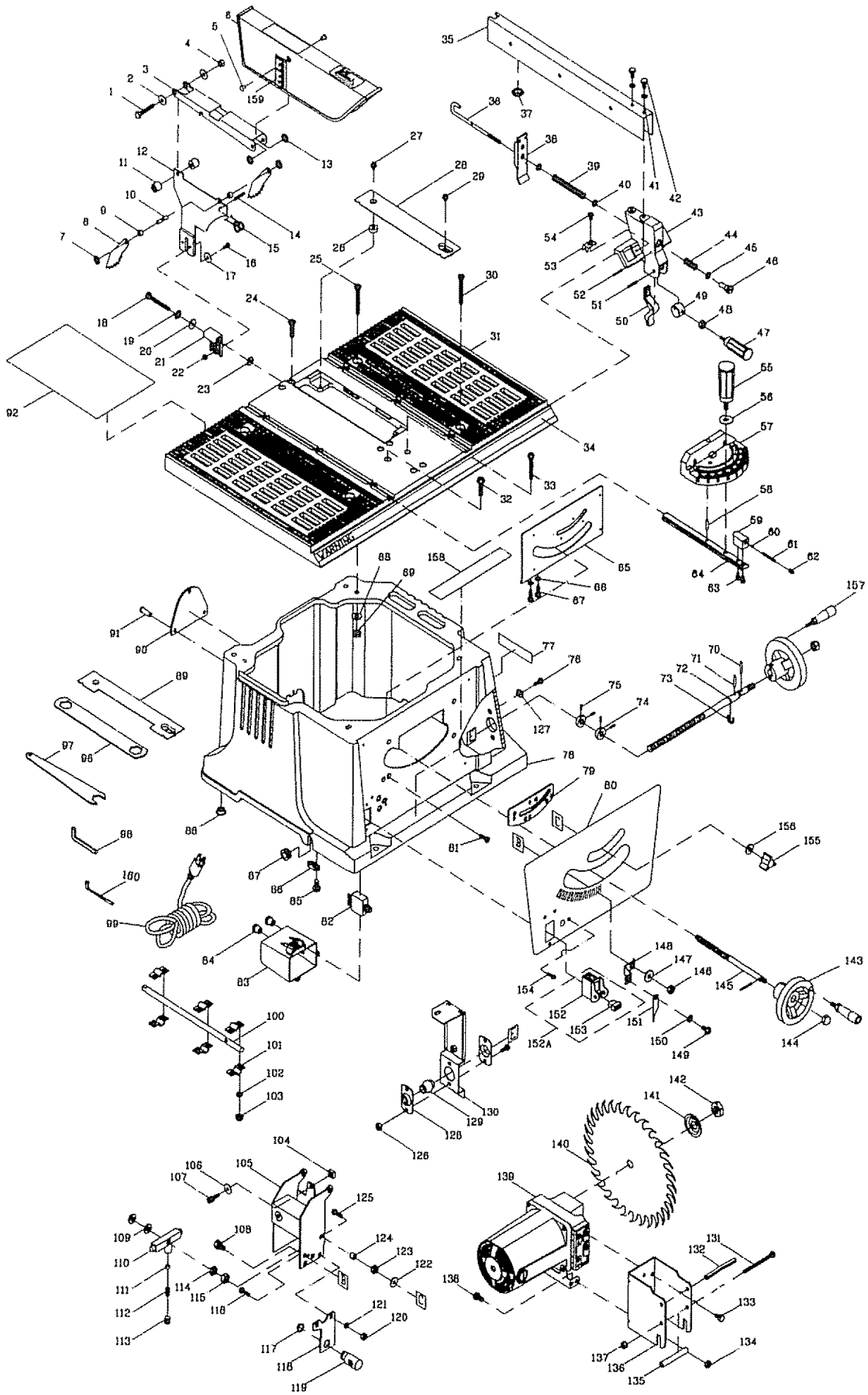
▲ WARNING

When servicing use only CRAFTSMAN replacement parts. Use of any other parts may create a HAZARD or cause product damage. Any attempt to repair or replace electrical parts on this Table Saw may create a HAZARD unless repair is done by a qualified service technician. Repair service is available at your nearest Sears Service Center.

Always order by PART NUMBER, not by key number

Key No.	PART NUMBER	Description	Size	Qty	Key No.	PART NUMBER	Description	Size	Qty
1	2601BZDA45	Hex hd. bolt	M6 x 1.0-40	1	81	2651MHDB12	Tapping screw	M4 x 16-10	8
2	2501MZDN06	Flat washer	6 x 13-1	2	82	2853D55502	Breaker switch		1
3	14912301	Supporting arm		1	83	14902302	Switch box		1
4	2705FZD106	Hex nut	M6 x 1.0 T=6	1	84	2801DBHA04	Strain relief	RC-1632	2
5	2690MZD514	Rivet	6-8	2	85	2660MBCE14	Tapping screw	M4 x 16-16	2
6	14912205	Blade guard		1	86	83990121	Clamp - cord		1
7	2570DBN606	Self-locking ring	SPN-6	2	87	2801ABRF01	Strain relief	11	1
8	14913101	Kick back pawl		2	88	18402702	Rubber pad		4
9	14913201	Bushing		2	89	14903104	Dado insert		1
10	14913301	Roll pin		1	90	14905603	Plate cover		1
11	14912801	Spacer		2	91	2690MZD515	Rivet	5-11	3
12	14912904	Guard bracket		1	92	14915101	Warning label		1
13	2570DBN606	Self-locking ring	SPN-6	2	93	1490006B1	Blade Guard Assembly - includes key #1-15		1
14	2536MBE607	Spring pin	4-22	1	94	14913401	Rip Fence Assembly - includes key #35-54		1
15	14913401	Spring		1	95	2570DBN606	Miter Gauge Assembly - includes key #55-64		1
16	2601BZDA41	Hex hd. bolt	M6 x 1.0-20	2	96	14014801	Hex wrench		1
17	2501NZDN10	Flat washer	1/4 x 3/4-3/16	2	97	14904402	Open wrench		1
18	2601BZDA47	Hex. hd. bolt	M6 x 1.0-50	1	98	2138MBL704	Allen wrench	4-64	1
19	2504MZC006	Toothed washer	6	1	99	2807BB06CA	Power cable		1
20	2501NZDN10	Flat washer	1/4 x 3/4-3/64	1	100	14921306	Rod		1
21	14205001	Splitter bracket		1	101	14921403	Strap		6
22	2701FBD106	Hex. nut	M6 x 1.0 T=5	2	102	2502NBC406	Spring washer	1/4"	6
23	14914901	Washer	D=18	2	103	2708FBD107	Hex. nut	M6 x 1.0 T=6	6
24	2604BBLA42	Screw	M6 x 1.0-25	3	104	14921001	Saddle		1
25	2636BZDBA9	Screw	M6 x 1.0-50	3	105	14921702	Bracket		1
26	2801ABRG01	Rubber washer	6.1	1	106	2501NBDN03	Flat washer	3/16 x 3/8-0.022	1
27	2621BZDA18	Cap hd screw	M5 x 0.8-12	1	107	2617BBLC11	Hex soc. Hd. Cap screw	M5 x 0.8-20	1
28	14903101	Insert		1	108	2615BZDD25	Hex hd. screw and washer	M8 x 1.25-16	1
29	2621BZDA18	Cap. hd. screw	M5 x 0.8-12	1	109	2501NNHN34	Flat washer	3/8 x 3/4-5/64	2
30	2636BZDB48	Cr. re. count hd. screw	M6 x 1.0-55	10	110	14921802	Bracket		1
31	14902807	Table		1	111	14901203	Saddle		1
32	2668BEDA43	Rd hd. screw	M6 x 1.0-30	1	112	14901302	Spring		1
33	2668BEDA44	Cr. re count hd screw	M6 x 1.0-35	1	113	2603BBLA66	Hex soc screw	M10 x 1.5-12	1
34	14902904	Scale		1	114	2701FZD111	Hex nut	M10 x 1.5 T=4	1
35	14910006	Fence		1	115	2701FZD110	Hex nut	M10 x 1.5 T=8	1
36	14910102	Locking rod		1	116	2672BBDA40	Cap hd sq neck bolt	M6 x 1.0-16	2
37	14914701	Cup		1	117	2570BBN116	C-ring	A-16	1
38	14910204	Rear clamp		1	118	14935102	Supporting plate		1
39	18611101	Spring		1	119	14935001	Nut		1
40	2501MZDN06	Flat washer	6 x 13-1	2	120	2701FBD106	Hex. nut	M6 x 1.0 T=5	2
41	2504MZC006	Toothed washer	6	2	121	2502ABC417	Spring washer	6	2
42	2601BZDA40	Hex hd. bolt	M6 x 1.0-16	2	122	2501NBDN09	Washer	1/4 x 3/4-7/64	1
43	14910502	Front block		1	123	2701FZD106	Hex. nut	M6 x 1.0 T=5	1
44	18623801	Spring		1	124	14922901	Spacer		1
45	2501MBDN28	Flat washer	10 x 16-1	1	125	2672BZDA44	Cap Hd. sq neck bolt	M6 x 1.0-35	1
46	18622701	Nut chuck		1	126	2701FBD107	Hex. nut	M6 x 1.0 T=6	2
47	14002601	Handle		1	127	2501NBDN16	Flat washer	1/4 x 3/4-1/16	2
48	2701FZD113	Hex nut	M8 x 1.25 T=6.5	1	128	15210601	Bearing seat		2
49	18622201	Eccentric		1	129	14936301	Shaft		1
50	186122301	Front clamp		1	130	14935902	Stiffener		1
51	2536MBE616	Spring pin	6-25	1	131	2672BBDA50	Rod. hd. squ nec bolt	M6 x 1.0-80	1
52	2536MBE608	Spring pin	4-24	1	132	2536MBE621	Spring pin	8-90	1
53	14910701	Pointer		1	133	2615BBD25	Hex hd. screw and washer	M8 x 1.25-16	3
54	2668BZDA06	Cap hd screw	M4 x 0.7-6	1	134	2701FBD105	Hex. nut	M5 x 0.8 T=4	1
55	14911602	Knob		1	135	14920301	Spacer		1
56	2501NZDN10	Flat washer	1/4 x 3/4-3/64	1	136	14920003	Bracket		1
57	14911402	Head		1	137	2709FZDA02	Hex. nut	M6 x 1.0	1
58	14608001	Pin	L=20	1	138	2620BBD218	Cr. re pan screw	M5 x 0.8-12	1
59	14911802	Angle pointer		1	139	8387129904	Motor		1
60	29835L5006	Steel ball	5	1	140	14930203	Blade	D=255	1
61	14523301	Compression spring		1	141	14930102	Arbor collar		1
62	2603BBLA38	Hex soc set screw	M6 x 1.0-10	1	142	14930002	Hex. nut		1
63	2608BBLA32	Hex. soc. truss Hd screw	M5 x 0.8-10	2	143	14900603	handwheel		2
64	14911707	Sheet bar		1	144	2703FMD108	Crown nut	M8 x 1.25 T=12.5	2
65	14905801	Retaining chip		1	145	14901103	Screw rod		1
66	2504MZC004	Toothed washer	4	2	146	2701FZD113	Hex nut	M8 x 1.25 T=6.5	1
67	2668BZDA09	Cr. re. pan hd screw	M4 x 0.7-12	2	147	2501MZDN08	Flat washer	8 x 16-2.5	1
68	2501NZDN10	Flat washer	1/4 x 3/4 x 3/64	4	148	14901501	Pointer bracket		1
69	2709FZDA02	Hex. nut	M6 x 1.0	4	149	2668BZDA23	Cap. hd. screw	M5 x 0.8-8	1
70	2536MBE605	Spring pin	3-24	2	150	2504MZB006	Toothed washer	6	1
71	2536MBE629	Spring pin	3-14	1	151	14901703	Pointer		1
72	14936001	Screw bar	L=309	1	152	2851D55G06	Switch - includes key #153		1
73	2570BBN209	E-ring	E-9	2	153	28605BH071	Switch key		1
74	14936501	Parrie ring		2	154	2653MZDE11	Self - tapping screw	M6 x 16-12	4
75	2603BBLA36	Hex soc. set screw	M6 x 1.0-6	1	155	15100801	Tension handle		1
76	2668BBD439	Cr. re. pan hd screw	M6 x 1.0-12	4	156	2501NBDN16	Flat washer	8 x 16-2.5	1
77	14936701	Caution label		1	157	14900603	Knob		2
78	14900111	Base		1	-	17095006	Owner's manual		1
79	14900204	Retaining chip		1	158	14906104	Warning label		1
80	14900381	Label		1	159	149014802	Label		1
					160	2138MBL709	Allen wrench		1

* Not shown



▲ WARNING

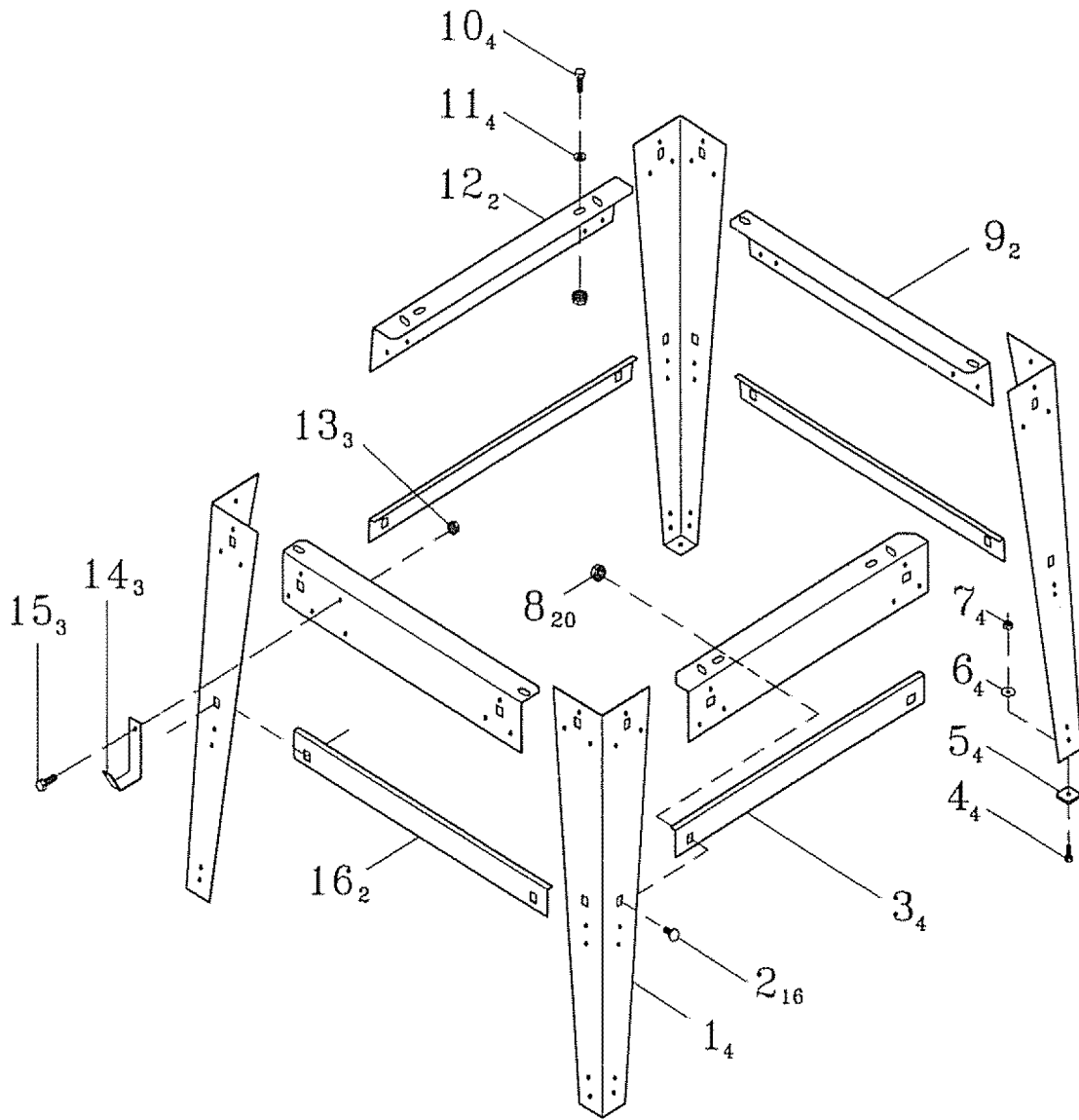
When servicing use only CRAFTSMAN replacement parts. Use of any other parts may create a HAZARD or cause product damage.

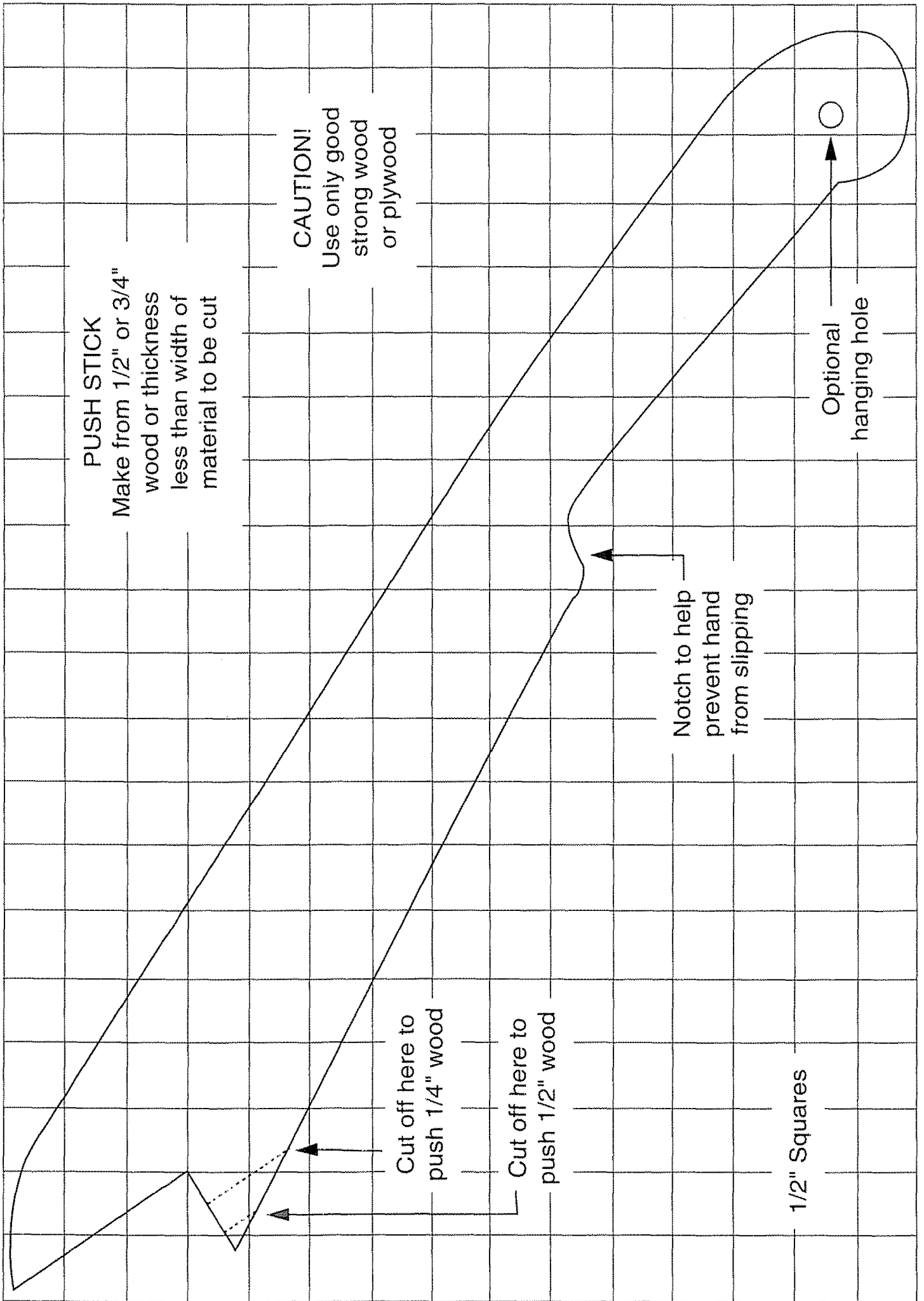
▲ WARNING

Any attempt to repair or replace electrical parts on this table saw may create a HAZARD unless repair is done by a qualified service technician. Repair service is available at your nearest Sears Service Center.

Order by PART NUMBER, not by key number

Key No.	PART NUMBER	Description	Size	Qty
1	17050101	Bottom bracket - legs		4
2	2672BBDA54	Cap hd. sq. neck bolt	M8 x 1.25-16	16
3	17050401	Bracket - lower (long)	L=526	2
4	2601BBDA69	Hex. hd. bolt	M10 x 1.5-20	4
5	14000304	Spacer - foot pad		4
6	2501MBDN11	Flat washer	10 x 20-2	4
7	2701FBD109	Hex. nut	M10 x 1.5 T=8	4
8	2708FBD112	Hex. nut	M8 x 1.25 T=7.5	20
9	17050301	Bracket - top (short)	L=410	2
10	2601BBDA57	Hex. hd. bolt	M8 x 1.5-30	4
11	2501MBDN08	Flat washer	8 x 16-2.5	4
12	17050201	Bracket -top (long)	L=449	2
13	2708FBD107	Hex. nut	M6 x 1.0 T=6	3
14	14942801	Hook		3
15	2601BBDA39	Hex. hd. bolt	M6 x 1.0-12	3
16	17050501	Bracket - lower (short)	L=472	2



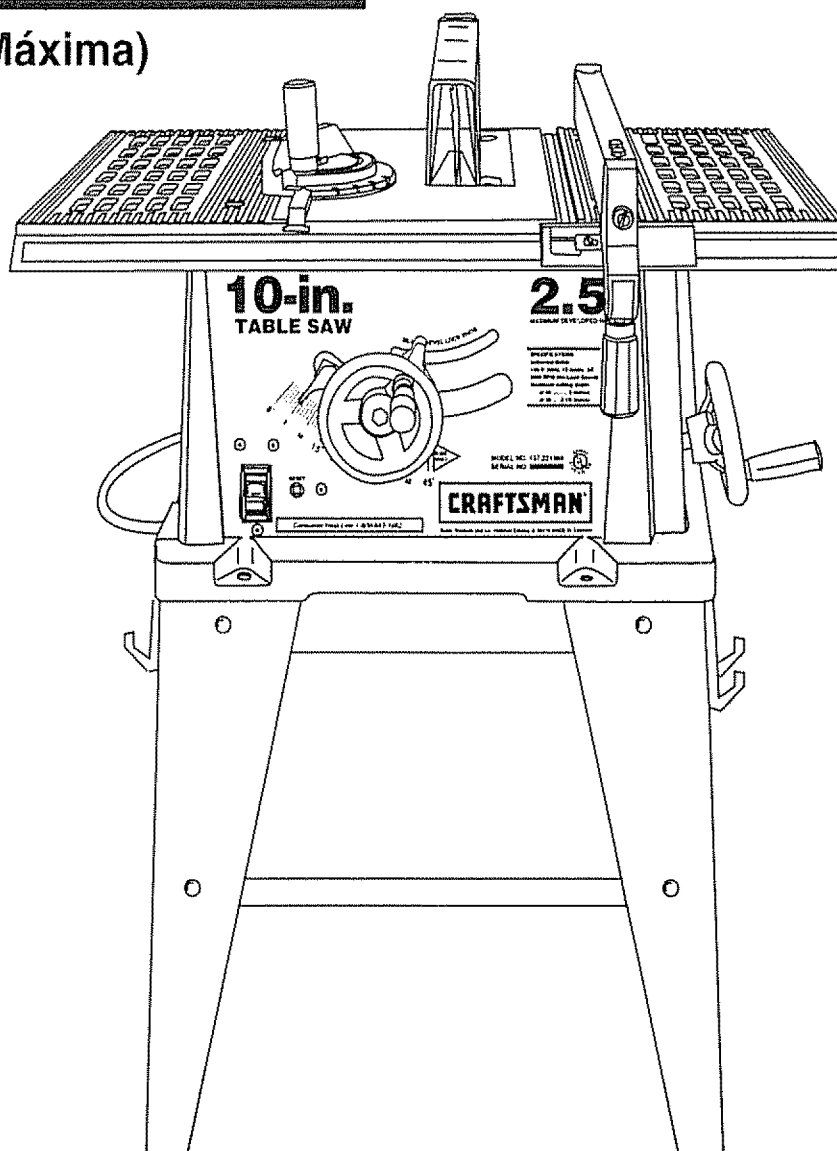


Manual de Operación

CRAFTSMAN®

2.5 HP (Potencia Máxima)
Hoja Circular de
25.4cm (10")
5000 R.P.M.

**SIERRA
DE MESA**
Modelo No.
137.221960



CUIDADO:

Antes de usar esta sierra de mesa, leer este manual y seguir todas sus Reglas de Seguridad e Instrucciones de Operación.

- Instrucciones de Seguridad
- Instalación
- Operación
- Mantenimiento
- Lista de Partes

**Teléfono para
Ayuda al Cliente
1-800-843-1682**

Sears, Roebuck and Co., Hoffman Estates, IL 60179 USA
Part No. 137221960001

TABLA DE CONTENIDOS

SECCIÓN	PÁGINA
Garantía30
Especificaciones de la Herramienta30
Instrucciones de Seguridad31
Accesorios y Aditamentos34
Herramientas necesarias para el ensamblaje34
Contenido de la Caja34
Familiarizarse con la Sierra de Mesa36
Ensamblaje y Regulación37
Operación44
Mantenimiento48
Guía para Diagnóstico de Problemas49
Partes50
Para hacer un palo empujador54

GARANTÍA

GARANTÍA TOTAL DE 1 AÑO

Si esta herramienta presentase defectos de material o fabricación dentro del primer año a partir de la fecha de compra, Sears la reparará sin costo alguno.

Contactarse con un Centro de Servicio de Sears para la reparación.

Si esta herramienta se usa para fines comerciales o para alquiler, esta garantía se aplica sólo por los primeros 90 a partir de la fecha de compra

Esta garantía le otorga derechos legales específicos y también podría usted tener otros derechos que varían de un estado a otro

Sears, Roebuck and Co., Dept. 817 WA, Hoffman Estates, IL 60179

ESPECIFICACIONES DE LA HERRAMIENTA

MOTOR

Caballaje máximo que desarrolla	2.5 HP
Voltios	120 V
Amperios	13
Hertzios	60 Hz.
RPM (Sin carga)	5000
Protección de sobrecarga	SI

SIERRA

Mesa	17-1/8" x 26" (43.5 cm x 66 cm)
Hoja	10" (25.4 cm)
Profundidad máxima de corte a 90°	3" (7.6 cm)
Profundidad máxima de corte a 45°	2-1/2" (6.3 cm)
Ancho máximo para ranurar	1/2" (1.27 cm)
Peso	55 Lbs (25 Kg.)

▲ ADVERTENCIA

Para evitar riesgos eléctricos, de incendio o de daños a la herramienta, usar un protector apropiado de circuito.

La sierra de mesa viene cableada de fábrica para operar con 120V. Enchufarla a un circuito de 120V, 15 Amp. que tenga un fusible de retardo o un interruptor de circuito de 15 Amp. Para evitar choques eléctricos o incendios, reemplazar el cordón eléctrico inmediatamente si estuviese gastado, cortado o dañado en cualquier forma.


INSTRUCCIONES GENERALES DE SEGURIDAD

ANTES DE USAR LA SIERRA DE MESA

La seguridad es una combinación de sentido común, mantenerse alerta y conocer como funciona la sierra de mesa

▲ ADVERTENCIA

Para evitar errores que puedan causar lesiones serias, no conectar la Sierra hasta haber leído y entendido lo siguiente:

1. **LEER** y familiarizarse con todo este manual de instrucciones. **ENTENDER** las aplicaciones, limitaciones y riesgos posibles
2. **MANTENER LOS PROTECTORES EN POSICIÓN** y en buenas condiciones de operación
3. **RETIRAR LAS HERRAMIENTAS Y LLAVES DE REGULACIÓN Y AJUSTE.** Formarse el hábito de verificar que las herramientas y las llaves de regulación hayan sido retiradas de la herramienta antes de activarla
4. **MANTENER EL ÁREA DE TRABAJO LIMPIA.** Las áreas y mesas de trabajo congestionadas invitan a que ocurran accidentes
5. **NO OPERAR EN AMBIENTES PELIGROSOS** No usar la herramienta en lugares húmedos, mojados o expuestos a la lluvia. Mantener el área de trabajo bien iluminada
6. **MANTENER A LOS NIÑOS ALEJADOS.** Todos los visitantes deben mantenerse a una distancia segura del área de trabajo.
7. **ASEGURARSE QUE LOS NIÑOS NO TENGAN ACCESO AL TALLER DE TRABAJO.** Usar candados, interruptores maestros y quitar las llaves de activación
8. **NO FORZAR LA HERRAMIENTA.** La herramienta hará un mejor trabajo y más seguro usándola sólo en la forma para la que fue diseñada.
9. **USAR LA HERRAMIENTA ADECUADA.** No forzar la herramienta al hacer un trabajo para el cual no ha sido diseñada
10. **USAR EL CORDÓN DE EXTENSIÓN ADECUADO.** Cerciorarse que el cordón de extensión esté en buenas condiciones. Al usar un cordón de extensión cerciorarse que sea lo suficientemente grueso para conducir la corriente que la máquina va a demandar. Un cordón subdimensionado causará caídas de voltaje en la línea que causarán pérdidas de potencia y sobrecalentamiento. La tabla en la página 5 muestra las dimensiones adecuadas dependiendo de la longitud del cordón y el amperaje requerido que aparece en la placa de la máquina. En caso de duda usar un cordón del siguiente grosor. Cuanto más pequeño el número del calibre, más grueso será el cordón.
11. **USAR ROPA ADECUADA.** NO usar ropa suelta, guantes, corbatas, anillos, brazaletes ni joyas que puedan quedar atrapados en las piezas móviles de la herramienta. Se recomienda usar calzado antiresbalante. Usar prendas de cabeza para cubrir o contener el cabello largo
12. **USAR GAFAS DE SEGURIDAD**  **SIEMPRE USAR PROTECCIÓN PARA LOS OJOS.** Cualquier sierra de mesa puede arrojar objetos extraños a los ojos causando daños serios permanentes. **SIEMPRE** usar Gafas de Seguridad (no anteojos) que cumplan con la norma Z87 1 de ANSI. Los anteojos de uso diario sólo tienen lentes resistentes a los impactos, estos **NO SON** gafas de seguridad. Las Gafas de Seguridad pueden adquirirse en Sears. **NOTA:** Los anteojos o gafas que no cumplen con la norma Z87 1 de ANSI pueden causar daños serios al romperse
13. **USAR UNA MÁSCARA PARA LA CARA O PARA POLVO.** Los trabajos con sierra producen polvo
14. **SUJETAR LA PIEZA DE TRABAJO.** Usar sujetadores (sargentas) o una prensa para sujetar la pieza de trabajo cuando ello sea práctico hacer. Eso es más seguro que sujetarla con la mano y deja ambas manos libres para operar la herramienta
15. **DESCONECTAR LAS HERRAMIENTAS** antes de cambiarle accesorios tales como: hojas, brocas, cortadores y similares
16. **REDUCIR EL RIESGO DE ARRANQUES ACCIDENTALES.** Cerciorarse que el interruptor esté en la posición "OFF" (Apagado) antes de enchufar la herramienta a la corriente eléctrica
17. **USAR ACCESORIOS RECOMENDADOS.** Consultar con el manual del operador para determinar cuales son los accesorios recomendados. El uso de accesorios inapropiados puede ser peligroso y generar riesgo de lesiones personales
18. **NUNCA PARARSE SOBRE LA HERRAMIENTA.** Pueden ocurrir lesiones serias si la herramienta se voltea o si se entra en contacto con la hoja de la sierra.
19. **INSPECCIONAR PARA DETECTAR PIEZAS DAÑADAS.** Antes de usar la herramienta, siempre inspeccionarla cuidadosamente para cerciorarse si los protectores u otras piezas están dañadas y determinar si va a operar adecuadamente en el uso que se le va a dar. Inspeccionar si hay piezas móviles desalineadas o atascadas; partes rotas o mal montadas, y cualquier otra condición que pueda afectar la operación de la herramienta. Si un protector o cualquier otra pieza estuviese dañada debe repararse adecuadamente o reemplazarse
20. **NUNCA DEJAR DESATENDIDA UNA HERRAMIENTA ELÉCTRICA CUANDO ESTÉ FUNCIONANDO. COLOCAR EL INTERRUPTOR EN LA POSICIÓN DE "OFF" (APAGADO).** No alejarse del lugar hasta que la herramienta se haya detenido por completo
21. **NO ESTIRARSE MÁS ALLÁ DEL ALCANCE DE UNO.** Mantener los dos pies bien apoyados y el equilibrio en todo momento.
22. **DAR MANTENIMIENTO CUIDADOSO A LAS HERRAMIENTAS.** Para una operación mejor, más segura y rápida, mantener las herramientas afiladas y limpias. Seguir las instrucciones para la lubricación y cambio de accesorios

CONSERVAR ESTAS INSTRUCCIONES

23. **AVANZAR** la pieza de trabajo sólo en dirección contraria a la rotación de la hoja
24. **ADVERTENCIA:** El polvo generado por ciertos materiales puede ser nocivo para la salud. Siempre operar la sierra en áreas bien ventiladas y proveer un sistema adecuado para la remoción de polvo

REGLAS DE SEGURIDAD ESPECÍFICAS PARA SIERRA MESA

1. **SIEMPRE USAR EL PROTECTOR DE LA HOJA** con el soporte separador y los trinquetes antiretroceso en cada corte que se puedan usar, inclusive con los cortes que atraviesan la pieza de trabajo completamente.
2. **SIEMPRE SUJETAR LA PIEZA DE TRABAJO FIRMEMENTE** contra el medidor del ángulo de corte en inglete o la barrera
3. **USAR UN PALO PARA EMPUJAR** cuando se requiera. Siempre usar un palo para empujar maderas angostas. Referirse a los cortes de tiras en el manual, donde se describe detalladamente el uso del palo empujador.
4. **NUNCA HACER CORTES A "MANO LIBRE"**, o cual significa el uso de sólo las manos para sujetar o guiar la pieza de trabajo. Siempre usar la barrera o el medidor de corte en inglete para avanzar y guiar la pieza de trabajo.
5. **NUNCA PARARSE** ni tener parte alguna del cuerpo en la línea de la hoja de la sierra ni de la pieza de trabajo. Mantener las manos fuera de la línea de corte de la hoja.
6. **NUNCA ALCANZAR** por motivo alguno objetos por atrás o por encima de la sierra.
7. **SACAR** la barrera cuando se hagan cortes atravesados.
8. **NO USAR** un cabezal para moldes en esta sierra.
9. **AVANZAR** la pieza de trabajo sólo en dirección contraria a la rotación de la hoja.
10. **NUNCA** usar la barrera como tope medidor cuando se hagan cortes atravesados.
11. **NUNCA INTENTAR LIBERAR UNA HOJA DE SIERRA QUE ESTÉ ATORADA** hasta haber puesto el interruptor en la posición de "OFF" (Apagado). Para evitarle daños al motor, desenchufarlo del tomacorriente inmediatamente.
12. **PROVEER SOPORTE ADECUADO** en las partes posterior y laterales de la hoja cuando se corten piezas anchas o largas.
13. **EVITAR GOLPES DE RETROCESO** (pieza de trabajo aventada de regreso al operador) manteniendo la hoja filosa, la barrera paralela a la hoja, y manteniendo el soporte separador, el trinquete antiretroceso y la cubierta protectora de la hoja en posición y en buenas condiciones de trabajo. No soltar la pieza de trabajo hasta haberla hecho pasar completamente por la hoja de la sierra. No cortar maderas que estén torcidas, arqueadas, onduladas o que no tengan un borde recto que sirva de guía para la barrera.
14. **EVITAR CORTES RAROS** y posiciones de las manos que puedan entrar en contacto con la hoja de la sierra en caso de un resbalón súbito.
15. **NUNCA USAR SOLVENTES** para limpiar las piezas plásticas. Los solventes podrían disolver o de otra forma dañar el material. Para limpiar las piezas plásticas sólo se debe usar un paño húmedo.
16. **MONTAR** la sierra antes de hacer cualquier corte. Referirse a las instrucciones de operación.
17. **NUNCA CORTAR METALES** ni materiales que puedan generar polvo peligroso.
18. **SIEMPRE TRABAJAR EN UN ÁREA BIEN VENTILADA.** Eliminar el aserrín con frecuencia. Para evitar la posibilidad de incendio, limpiar el aserrín del interior de la sierra.
19. **NUNCA DEJAR LA HERRAMIENTA DESATENDIDA.** No dejar la herramienta hasta que se haya detenido completamente.
20. Para una operación apropiada, seguir las instrucciones del manual de operación que están bajo el título "**SIERRA MONTADA A SUPERFICIES DE TRABAJO**". No proveerle un orificio de salida y eliminación del aserrín hará que se acumule en el área del motor, generando riesgo de incendio o daños al motor.

REQUERIMIENTOS ELÉCTRICOS

ESPECIFICACIONES ELÉCTRICAS Y DEL MOTOR

▲ ADVERTENCIA

Para evitar riesgos eléctricos, de incendio o daños a la herramienta, usar un protector de circuito adecuado. Usar un circuito eléctrico separado para las herramientas. La sierra viene cableada de fábrica para operar con 120V. Enchufarla a un circuito de 120V, 15 Amp. que tenga un fusible de retardo o un interruptor de circuito de 15 Amp. Para evitar choques eléctricos o incendios, reemplazar el cordón eléctrico inmediatamente si estuviese gastado, cortado o dañado en cualquier forma.

CONSERVAR ESTAS INSTRUCCIONES

INSTRUCCIONES PARA LA CONEXIÓN A TIERRA

EN EL EVENTO DE UNA FALLA O MAL FUNCIONAMIENTO, la conexión a tierra provee una vía de menor resistencia para la corriente eléctrica, reduciendo así el riesgo de choque eléctrico. Esta herramienta está equipada con un cordón eléctrico que tiene un conductor para conexión a tierra y también con un enchufe con espiga para el mismo fin. El enchufe DEBE conectarse en un tomacorriente que le haga juego y que esté debidamente instalado y conectado a tierra de acuerdo con TODOS los códigos y ordenanzas locales.

NO MODIFICAR EL ENCHUFE PROVISTO. Si no entra en el tomacorriente, hacer que un electricista calificado instale un tomacorriente adecuado.

LA CONEXIÓN INADECUADA DEL CONDUCTOR para tierra de un equipo puede generar riesgo de choque eléctrico. El conductor con forro aislante verde (con o sin rayas amarillas) es el conductor para conexión a tierra. Si el cordón eléctrico o el enchufe requieren reparaciones o reemplazo, NO conectar el conductor para tierra del equipo a un terminal vivo.

AVERIGUAR con un electricista o personal de servicio si se tiene cualquier duda en cuanto a la conexión correcta a tierra del equipo, o si las instrucciones para la conexión a tierra no están claras.

Usar un ramal de circuito independiente para esta herramienta. Este circuito debe ser de un alambre cuyo calibre no sea menor a 12 y debe estar protegido con un fusible de retardo de 15 Amps. Antes de conectar el motor a la línea de suministro eléctrico, cerciorarse que el interruptor esté en la posición de "OFF" (Apagado) y que la corriente eléctrica sea la indicada en la placa de datos del motor. Operar la herramienta con un voltaje menor puede dañar el motor.

Esta herramienta está diseñada para usarse en un circuito que tenga un tomacorriente como el ilustrado en la FIGURA A. La FIGURA A muestra un enchufe eléctrico y un tomacorriente de 3 conductores, uno de los cuales es un conductor para conexión a tierra. Si no se dispone de un tomacorriente con conductor para conexión a tierra, temporalmente se puede usar un adaptador (FIGURA B) para enchufarlo en un tomacorriente de 2 contactos sin conexión a tierra. El adaptador provisional (FIGURA B) tiene un anillo rígido que le sobresale y que DEBE conectarse físicamente en forma permanente a tierra, tal como la caja de un tomacorriente debidamente conectado a tierra. El Código Eléctrico Canadiense prohíbe el uso de estos adaptadores.

CUIDADO: En todos los casos, cerciorarse que el tomacorriente en cuestión esté adecuadamente conectado a tierra. Si no se estuviese seguro, hacer que un electricista licenciado inspeccione el tomacorriente.

▲ ADVERTENCIA

Esta sierra de mesa está diseñada únicamente para uso en interiores. No exponerla a la lluvia ni usarla en lugares húmedos.

Fig. A

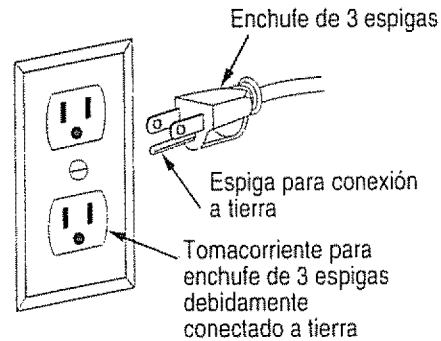
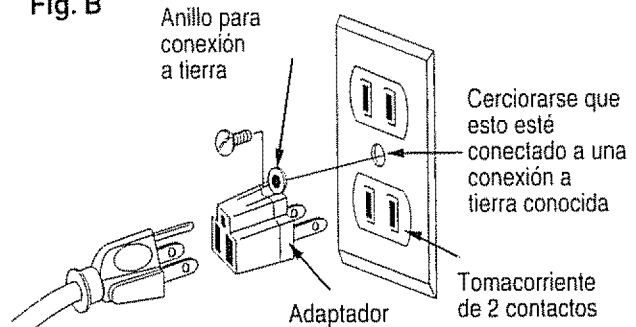


Fig. B



RECOMENDACIONES PARA LOS CORDONES DE EXTENSIÓN

SÓLO USAR CORDONES DE EXTENSIÓN QUE TENGAN ENCHUFE DE TRES ESPIGAS Y UN TOMACORRIENTE QUE ACEPTE EL ENCHUFE DE LA HERRAMIENTA. REPARAR O REEMPLAZAR INMEDIATAMENTE LOS CORDONES DAÑADOS O GASTADOS.

CERCIORARSE QUE EL CORDÓN DE EXTENSIÓN ESTÉ EN BUENAS CONDICIONES. Al usar un cordón de extensión, cerciorarse que sea lo suficientemente grueso para conducir la corriente que la herramienta demandará. Un cordón subdimensionado causará una caída en el voltaje de la línea causando una pérdida de potencia y recalentamiento. La tabla que aparece en esta página muestra los calibres correctos de los cordones según su extensión y el amperaje requerido por la herramienta que aparece en la placa. En caso de duda, usar el siguiente calibre más grueso. Cuanto menor el número del calibre, mayor el diámetro del alambre.

Cerciorarse que el cordón de extensión tenga los alambres adecuados y que esté en buenas condiciones eléctricas. Siempre reemplazar los cordones de extensión dañados o hacerlos reparar por una persona calificada antes de usarlos. Proteger los cordones de extensión de los objetos filosos, del calor o humedad excesiva y de las áreas húmedas o mojadas.

▲ ADVERTENCIA

Para protección del operador contra choques eléctricos, esta herramienta debe estar conectada a tierra.

CALIBRE MÍNIMO DE LOS CORDONES DE EXTENSIÓN (AWG)

(Sólo al usar 120 voltios)

Amperaje Especificado		Longitud total del cordón en pies			
más de	no más de	25'	50'	100'	150'
0	6	18	16	16	14
6	10	18	16	14	12
10	12	16	16	14	12
12	16	14	12	no recomendado	

CONSERVAR ESTAS INSTRUCCIONES

ACCESORIOS Y ADITAMENTOS

ACCESORIOS RECOMENDADOS

⚠ ADVERTENCIA

En esta sierra no se debe usar hojas ranuradoras de tipo regulable ni hojas con dientes de carburo. El ancho máximo para ranurar es 12.7mm (1/2"). No usar hojas ranuradoras de más de 15.24cm (6"). Con esta sierra tampoco se puede usar cabezales para molduras.

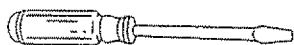
Visitar el Departamento de Ferretería de la tienda Sears más cercana o ver el Catálogo de Herramientas Eléctricas/Neumáticas y Manuales de Sears para comprar los accesorios recomendados para esta herramienta.

⚠ ADVERTENCIA

Para evitar riesgos de lesiones personales, no modificar esta herramienta ni usar accesorios no recomendados por Sears.

HERRAMIENTAS NECESARIAS PARA EL ENSAMBLAJE

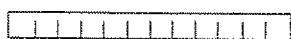
HERRAMIENTAS NECESARIAS



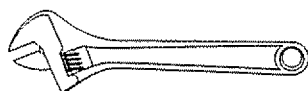
Desarmador plano mediano



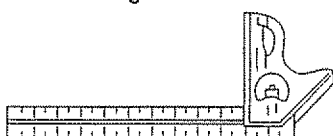
Desarmador en cruz #2



Regla



Llave regulable



Escuadra combinada

CONTENIDO DE LA CAJA

DESEMBALAJE Y VERIFICACIÓN DEL CONTENIDO

Separar todas las piezas de sus envolturas. Antes de descartar cualquier material de embalaje, verificar las piezas contra la ilustración en la siguiente página y la lista a continuación para ver que estén completas.

⚠ ADVERTENCIA

Si faltasen piezas o hubiesen piezas dañadas, no intentar enchufar la sierra ni activar el interruptor hasta conseguir las piezas faltantes o reemplazar las dañadas y hasta haberlas instalado correctamente.

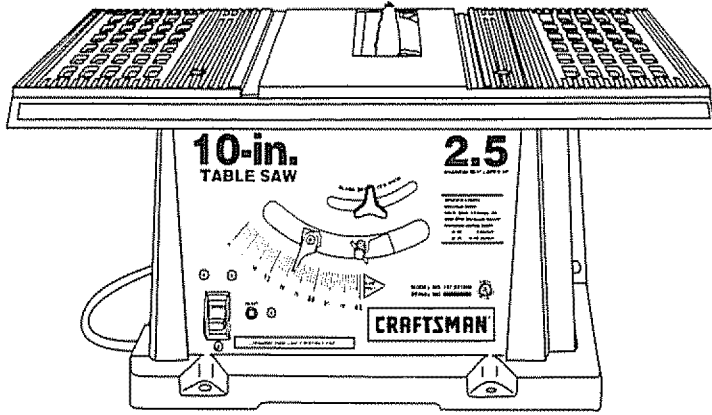
LISTA DE PIEZAS SUELTAS

ART	DESCRIPCIÓN	CANTIDAD
A	Sierra de mesa	1
B	Protector de hoja con soporte separador	1
C	Perno, arandela plana, arandela dentada	1
D	Barrera guía y mango	1
E	Manivela	2
F	Tuercas tipo cúpula	2
G	Inserto para ranurar	1
H	Bolsa con pernos, tuercas, arandelas, colgador para herramientas	1
I	Medidor de cortes en inglete	1
J	Llave hexagonal	2
K	Llaves planas	2
BANCO:		
L	Travesaño superior corto para pata	2
M	Travesaño superior largo para pata	2
N	Travesaño inferior corto	2
O	Travesaño inferior largo	2
P	Patás	4
Q	Bolsa con pernos, tuercas, arandelas, zapatas	1

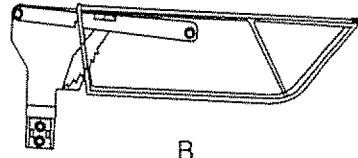
NOTA:

Para facilitar el ensamblaje, mantener juntas las piezas que vienen en la caja. Aplicar una capa de cera automotriz a la mesa. Limpiar todas las piezas completamente con un paño seco. Esto reducirá la fricción cuando se avance la pieza de trabajo.

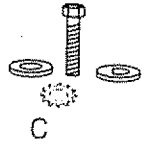
DESEMBALAJE DE LA SIERRA DE MESA:



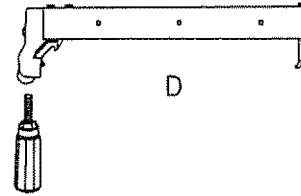
A



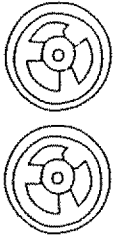
B



C



D



E



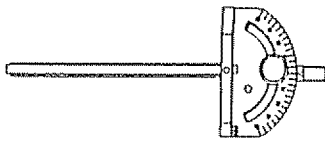
F



G



H



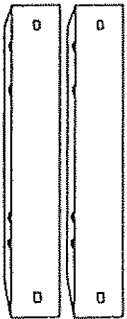
I



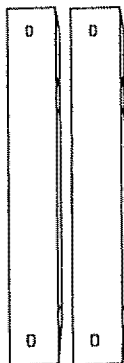
J



K



L



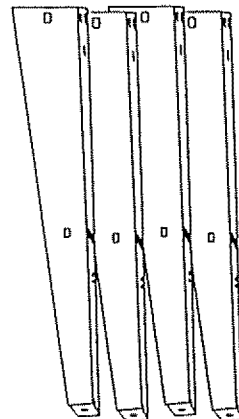
M



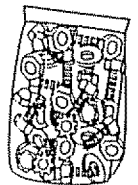
N



O

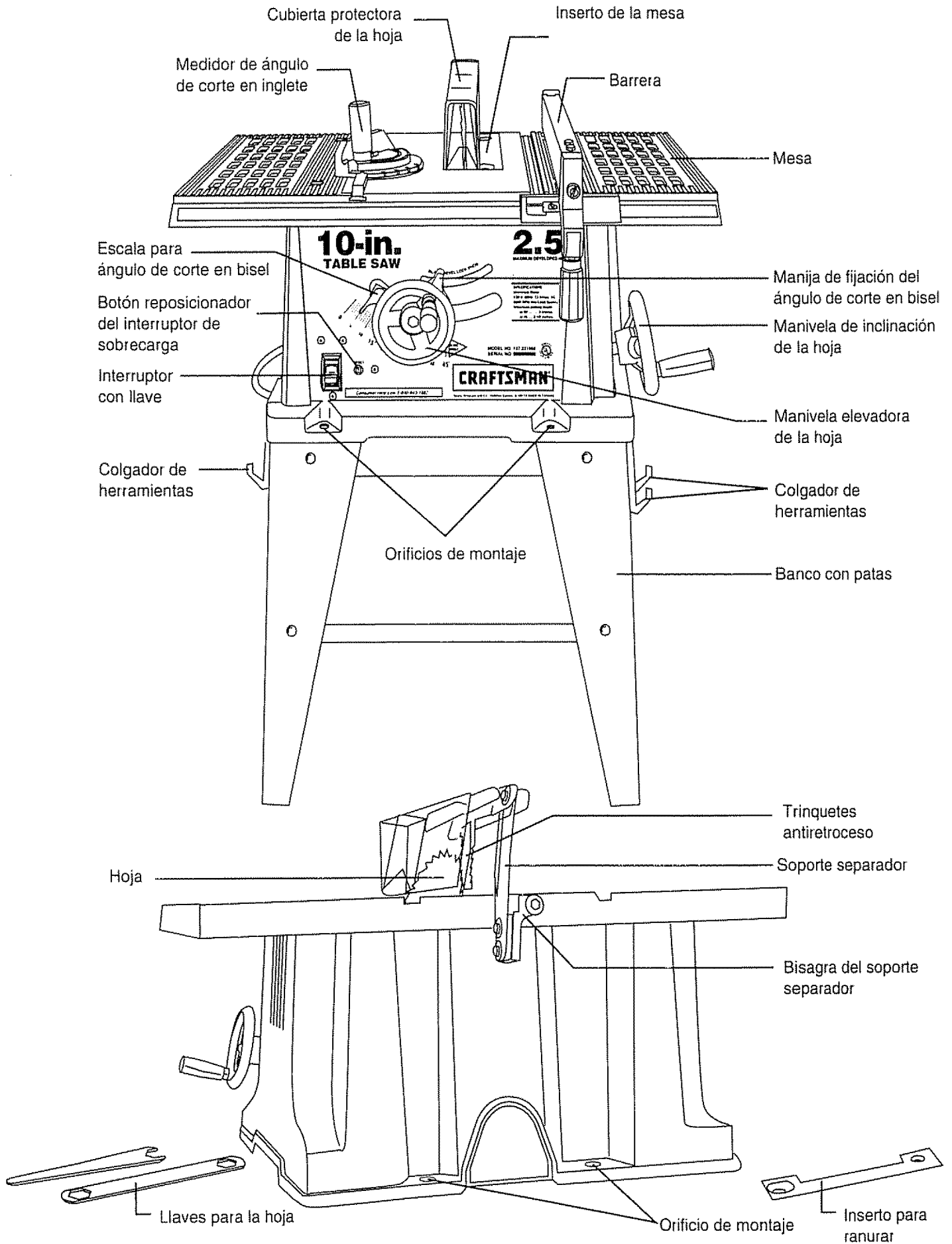


P



Q

FAMILIARIZARSE CON LA SIERRA DE MESA



ENSAMBLAJE Y REGULACIÓN

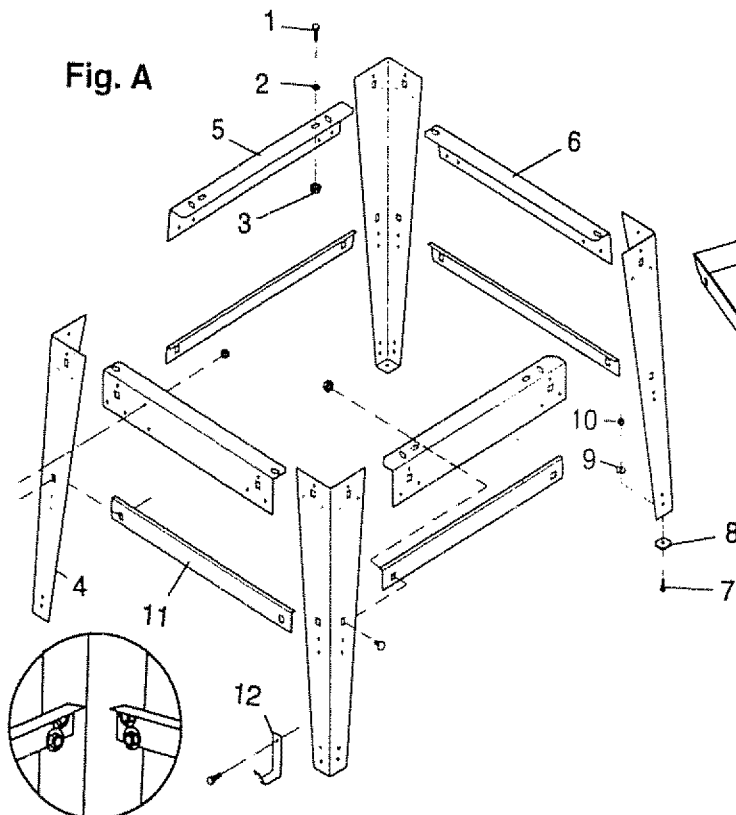
INSTRUCCIONES PARA EL ENSAMBLAJE

⚠ ADVERTENCIA

Por su propia seguridad, nunca enchufar al tomacorriente hasta haber completado todos los pasos del ensamblaje y hasta haber leído y entendido las instrucciones de seguridad y operación.

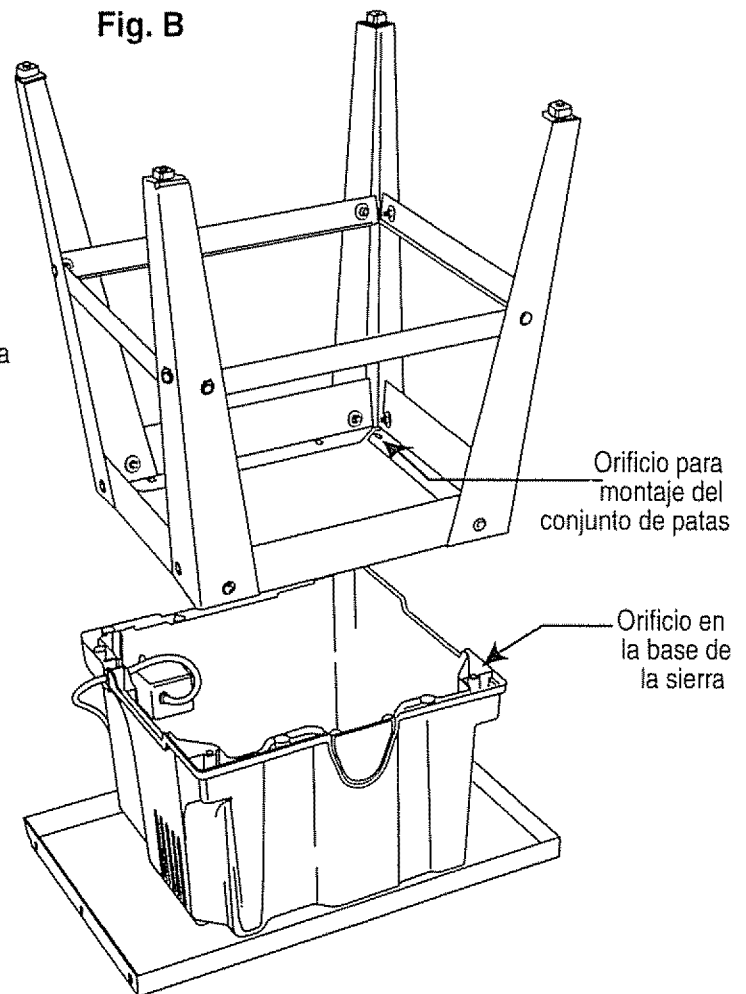
JUEGO DE PATAS (FIG. A)

- 1 Separar todas las piezas en grupos por tamaño y estilo.
NOTA: Cuando se unan las piezas, ajustar los pernos y las tuercas con los dedos.
- 2 Usar los pernos (1), arandelas (2) y tuercas (3) para ensamblar el juego de patas.
- 3 Instalar una pata (4) en el travesaño superior largo (5). Luego instalar la otra pata en el extremo opuesto del travesaño superior.
- 4 Repetir los pasos para el juego de patas del otro lado.
- 5 Instalarle los travesaños cortos (6) a los juegos de patas. Repetir en el otro lado.
- 6 Insertar un perno (7) en el orificio en una zapata (8).
- 7 Insertar en el orificio en la brida de la pata y ajustar usando una arandela (9) y una tuerca (10). Repetir para las otras tres patas.
- 8 Instalar los travesaños inferiores (11) entre las patas.
- 9 Instalar los ganchos (12) en el lugar deseado de la estructura. Los ganchos se usan para colgar la barrera guía, las llaves planas y el medidor de inglete.
- 10 Colocar el juego de patas de pie sobre una superficie nivelada y ajustar todos los pernos y tuercas.



MONTAJE DE LA SIERRA AL JUEGO DE PATAS (FIG. B)

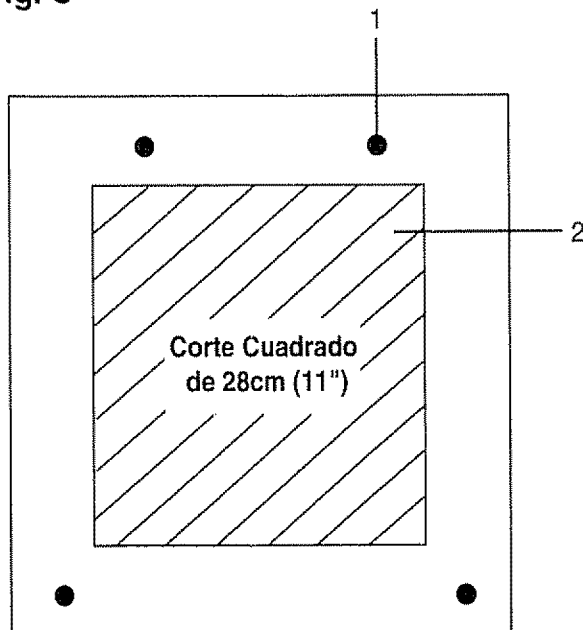
- 1 Antes de instalar la barrera guía y el medidor de inglete sobre el tablero de la sierra, colocar la sierra invertida con el tablero sobre el piso.
- 2 Invertir el juego de patas y colocarlo sobre la base de la sierra.
- 3 Alinear los orificios del banco con los de las bridas de la base de la sierra.
- 4 Sujetar la estructura de las patas a la sierra con pernos, arandelas y tuercas.
- 5 Cuando se hayan ajustado los pernos y la tuercas, poner la unidad de pie.
- 6 Colocar la sierra sobre una superficie limpia y nivelada.



MONTAJE DE LA SIERRA EN OTRAS SUPERFICIES (FIG. C)

1. Si no se va a usar el juego de patas, la sierra debe montarse y sujetar adecuadamente a un banco de trabajo robusto usando los cuatro orificios para pernos de montaje que están en la base de la sierra.
2. En la superficie donde se monte la sierra, debe hacerse un orificio lo suficientemente grande para que caiga el aserrín y poderlo sacar.
3. Cuadrar la sierra sobre la superficie donde se va a montar y marcar la posición de los cuatro orificios (1) de montaje de 3/8"
4. Taladrar orificios de 3/8" en la superficie de montaje.
5. Marcar un cuadrado (2) de 28cm (11") de lado centrado entre los orificios de montaje (1).
6. Cortar el cuadrado y retirarlo.
7. Esta abertura permitirá que el aserrín caiga por la base de la sierra.
8. Colocar la sierra sobre la superficie alineando los orificios de montaje de la mesa con los de la sierra y taladrar la superficie.
9. Sujetar la sierra a la superficie de trabajo.

Fig. C



⚠ ADVERTENCIA

No proveer a la sierra un orificio en la superficie de trabajo para la caída del aserrín puede hacer que el aserrín se acumule en el área del motor con el consiguiente riesgo de incendio y daños al motor.

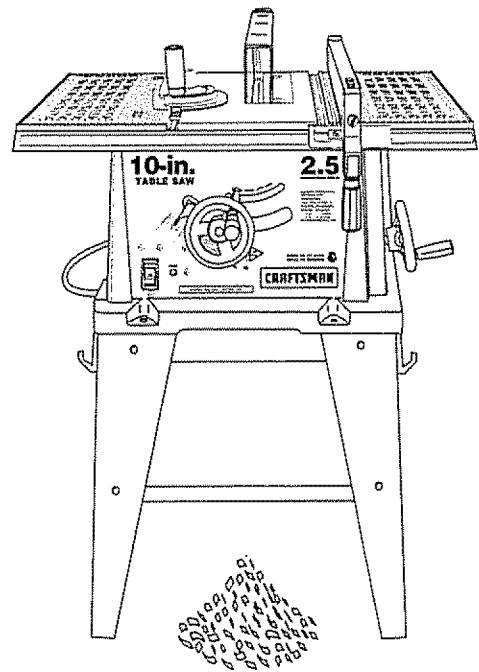
MANTENER EL ÁREA LIMPIA (FIG. D)

1. El aserrín y las partículas de madera que caen bajo la sierra se acumularán en el piso.
2. Desarrollar el hábito de recogerlas y descartarlas cada vez que se termine de cortar.

⚠ ADVERTENCIA

Siempre mantener el área de trabajo limpia, descongestionada y bien iluminada. No trabajar en pisos resbalosos debido al aserrín o a la cera.

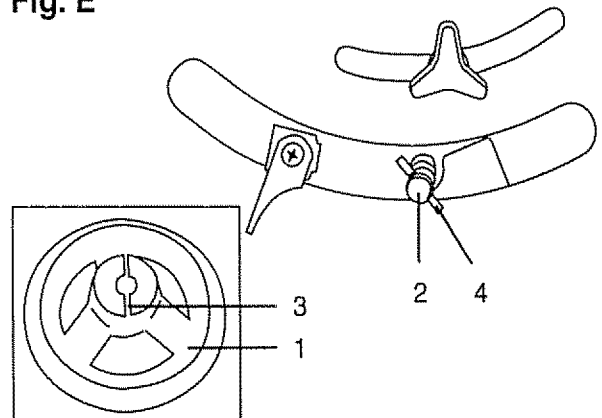
Fig. D



MANIVELA ELEVADORA DE LA HOJA (FIG. E)

1. Instalar la manivela (1) en el vástago roscado (2). Cerciorarse que las ranuras (3) en la brida de la manivela enganchen en las espigas (4).
2. Ajustar la tuerca (5) en el extremo del vástago roscado (Fig. F)

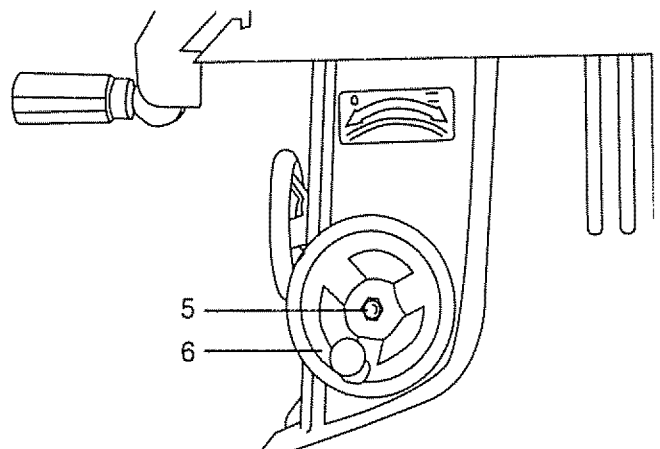
Fig. E



MANIVELA DE INCLINACIÓN DE LA HOJA (FIG. F)

1. Instalar la otra manivela (6) en el vástago inclinador roscado de la misma forma que a anterior.
2. Instalar y ajustar la tuerca con cúpula (5) y ajustarla.

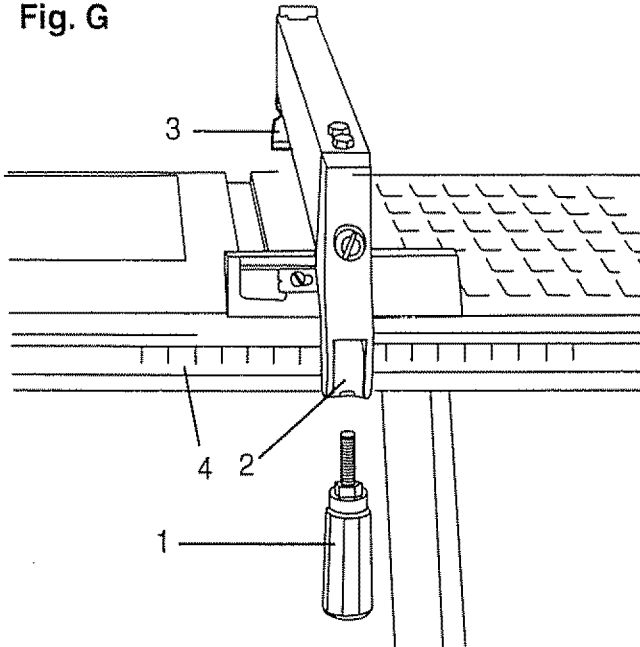
Fig. F



BARRERA (FIG. G)

1. Enroscar el mango (1) de la barrera en orificio (2) de la leva hasta que ajuste.
2. Levantar la barrera por el mango (1) de modo que el sujetador (3) quede completamente extendido.
3. Instalar la barrera sobre la mesa y enganchar el sujetador (3) en la parte posterior de la mesa. Bajar el extremo frontal sobre el riel frontal (4).
4. Para fijar la barrera en posición, presionar el mango de la barrera hacia abajo.

Fig. G



CAMBIO DE LA HOJA (FIGS. H, I, J)

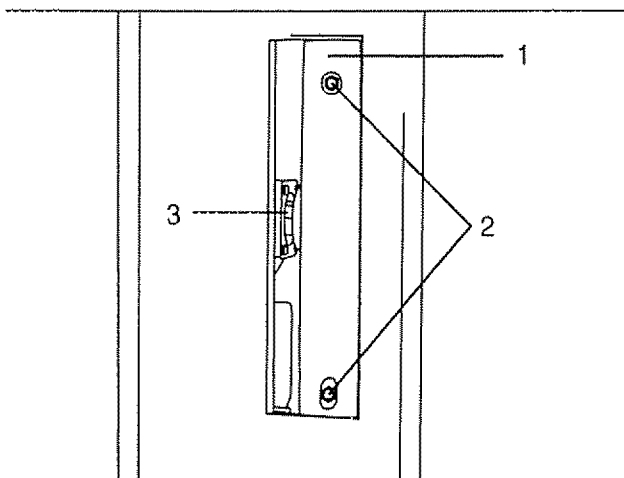
⚠ ADVERTENCIA

Para evitar lesiones debidas a un arranque accidental de la sierra, cerciorarse que el interruptor esté en "OFF" (Apagado) y que el enchufe esté desconectado del tomacorriente.

1. Sacar el inserto de la mesa (1) desenroscando los dos tornillos (2). Tener cuidado de no perder la arandela de caucho que está en el perno posterior bajo el inserto de la mesa.

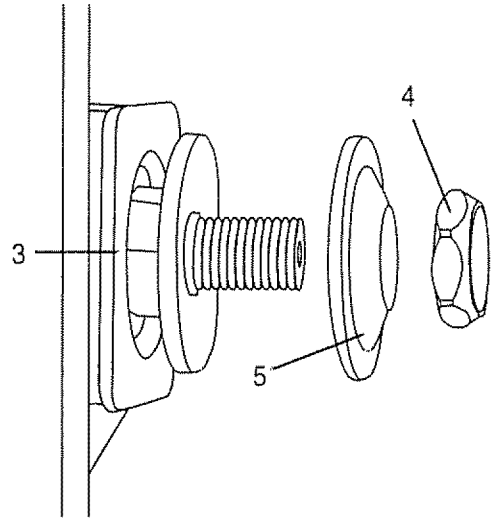
NOTA: El perno posterior es más largo que el del frente.

Fig. H



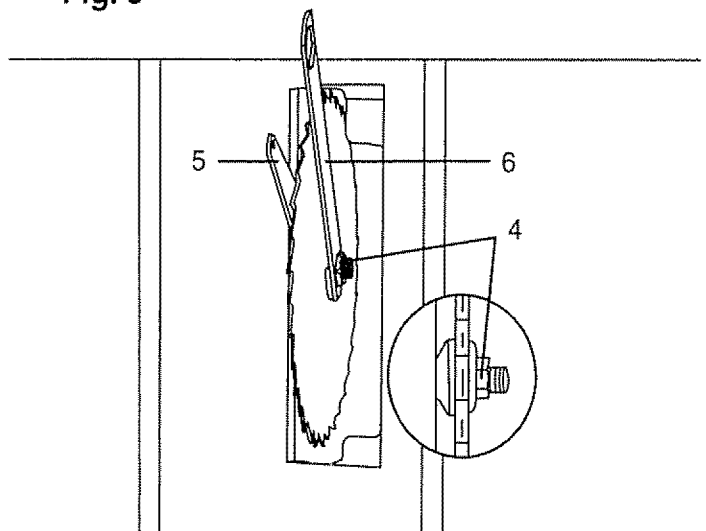
2. Subir el eje portasierra (3) (Fig. I) al máximo girando la manivela elevadora contra el sentido del reloj.
3. Sacar la tuerca del eje portahoja (4) y la brida (5).
4. Instalar la hoja de la sierra en el eje portahoja con los dientes apuntando hacia abajo en el frente de la sierra.
5. Instalar la brida (5) contra la hoja y enroscar la tuerca del eje portasierra al máximo que se pueda a mano. Cerciorarse que la hoja quede a ras con la brida interior.

Fig. I



6. Para ajustar la tuerca (4) (FIG. J) del eje portahoja, usar una llave de boca (5) y alinear las quijadas de la llave con los lados planos del eje portasierra para evitar que el eje gire.
7. Colocar el extremo cerrado de la llave (6) en la tuerca (4) del eje y girarla en el sentido del reloj (hacia atrás de la sierra).
8. Reinstalar el inserto de la mesa en su posición, insertar los tornillos por los orificios frontal y posterior y ajustarlos.

Fig. J



⚠ ADVERTENCIA

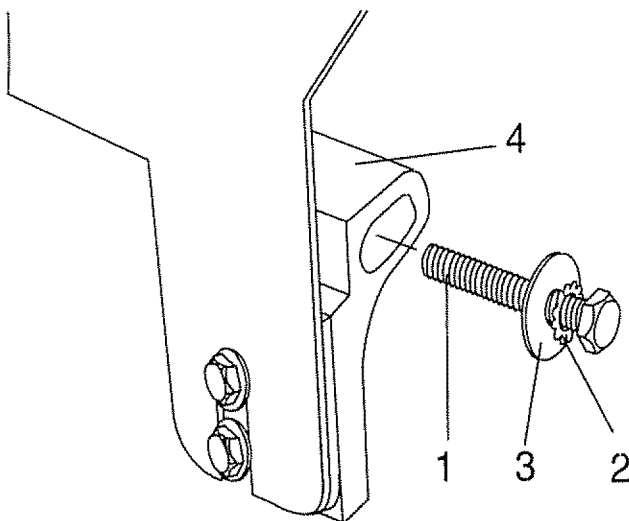
Para evitar lesiones causadas por la pieza de trabajo, piezas de la hoja lanzadas por la sierra o contacto con la hoja, nunca operar la sierra sin el inserto de la mesa instalado. Cuando se use una hoja ranuradora instalar el inserto para ranurar.

⚠ ADVERTENCIA

Para evitar lesiones debidas a un arranque accidental de la sierra, cerciorarse que el interruptor esté en "OFF" (Apagado) y que el enchufe esté desconectado del tomacorriente.

- 1 Colocar la hoja en su posición más alta y perpendicular, a 0° en la escala de ángulos para cortes en bisel. Ajustar la perilla de fijación de la hoja.
- 2 Instalar una arandela con dientes exteriores (2) seguida de una arandela plana (3) en el perno largo (1).
- 3 Insertar este perno atravesando el soporte separador (4) por la parte posterior del conjunto de la cubierta protectora.

Fig. K



- 4 Insertar este conjunto en el eje pivote (5) (FIG. L y M) en la parte posterior de la mesa de la sierra y ajustarlo.

NOTA: Para mayor claridad, el conjunto de cubierta protectora y separador no se han representado en esta figura.

Fig. L

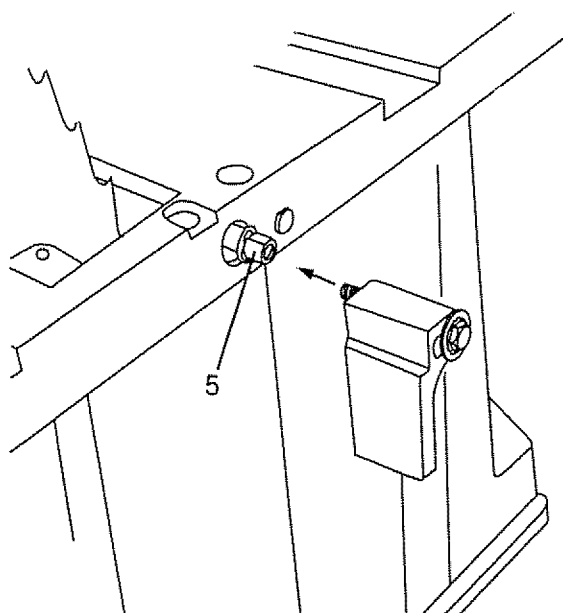
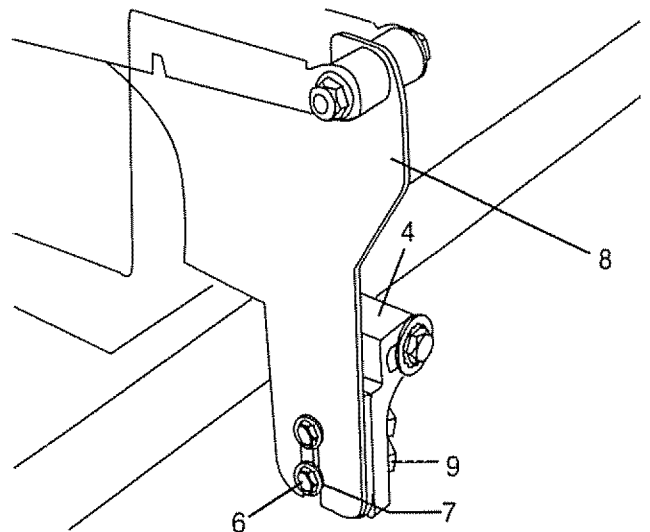


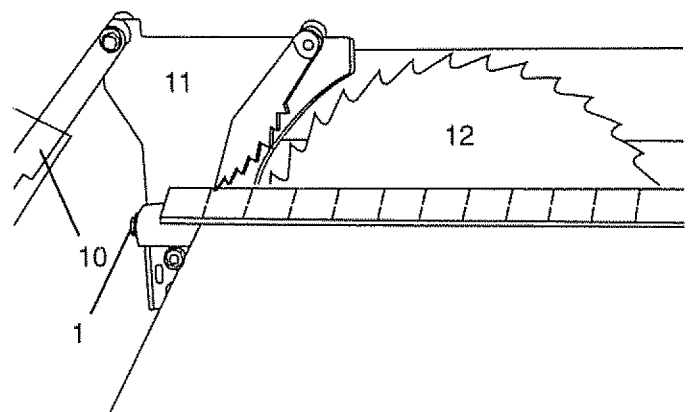
Fig. M



- 5 Colocar el brazo (10) del protector de la hoja (FIG. N) en la parte de atrás.
- 6 Usando una regla, verificar que el soporte separador (11) del protector de la hoja esté alineado con la hoja de la sierra (12).
- 7 Si necesita regulación, aflojar el perno (1) y mover el ensamblaje completo del soporte separador (11) a la izquierda, a la derecha o girarlo si fuese necesario.
- 8 Cuando se esté seguro que el soporte separador (11) esté adecuadamente alineado con la hoja de la sierra, volver a ajustar el perno (1).

NOTA: El soporte separador (11) siempre debe estar correctamente alineado de modo tal que cada mitad de pieza de trabajo pase por un lado distinto del separador sin pegarse ni torcerse hacia un costado.

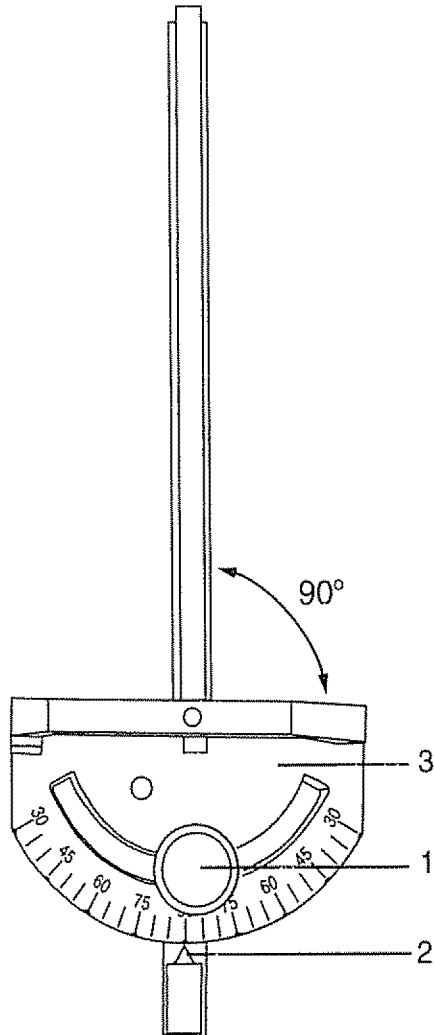
Fig. N



REGULACIÓN DEL MEDIDOR DE ÁNGULOS DE CORTE EN INGLETE (FIG. O)

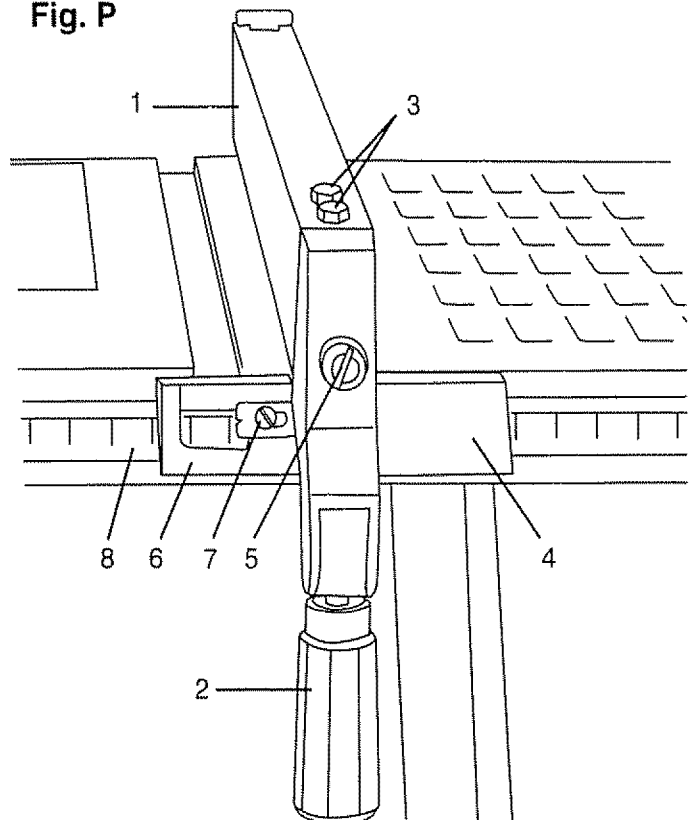
1. Cerciorarse que el medidor del ángulo de corte en inglete se deslice libremente por ambas ranuras de la mesa.
2. Aflojar la perilla (1). Colocar el indicador (2) en la marca de 90° en la escala.
3. Usando un pedazo de madera de desecho, hacer un corte a 90°. Luego verificar si la pieza cortada tiene efectivamente 90°. Si no los tuviese, continuar regulando el medidor del ángulo de corte en inglete (3) hasta cortar una pieza que tenga 90°.

Fig. O



3. Ajustar la manija (2) de la barrera. La barrera debe estar paralela a la ranura para el medidor del ángulo de corte en inglete.
4. Si se necesita hacer ajustes para poner la barrera paralela a la ranura, hacer lo siguiente:
 - Aflojar los dos pernos (3) y levantar la manija (2).
 - Sujetar el soporte de la barrera (4) firmemente contra el frente de la mesa de la sierra. Mover el extremo más alejado de la barrera hasta que quede paralelo a la ranura para el medidor del ángulo de corte en inglete.
 - Ajustar ambos pernos (3) y empujar la manija (2) para fijarla.
5. Si la barrera estuviese suelta cuando la manija esté en la posición hacia abajo, hacer lo siguiente:
 - Mover la manija (2) hacia arriba y girar el perno regulador (5) en el sentido del reloj hasta que el sujetador posterior quede ajustado. No girar el perno regulador (5) más de 1/4 de vuelta a la vez.
 - Si se sobreajusta el perno regulador (5), la barrera se desalineará.

Fig. P



INSTRUCCIONES PARA LA REGULACIÓN

REGULACIÓN DE LA BARRERA (FIG. P)

⚠ ADVERTENCIA

Para evitar lesiones debidas a un arranque accidental de la sierra, cerciorarse que el interruptor esté en "OFF" (Apagado) y que el enchufe esté desconectado del tomacorriente.

1. La barrera (1) se mueve levantando la manija (2) y deslizando la barrera a la posición deseada. Para fijar la barrera en posición, se baja la manija (2).
2. Colocar la barrera en el lado derecho de la mesa y a lo largo del borde de la ranura para el medidor del ángulo de corte en inglete.

INDICADOR DEL ALINEAMIENTO DE LA BARRERA (FIG. P)

1. El indicador (6) de la barrera apunta a la escala de medición (8). La escala muestra la distancia desde el costado de la barrera al borde más próximo de la hoja.
2. Medir la distancia real con una regla. Si hay discrepancia con la distancia indicada por la escala, regular el indicador (6) de la escala.
3. Aflojar el tornillo (7) y deslizar el indicador (6) a la medida adecuada en la escala. Volver a ajustar el tornillo y a medir la distancia.

⚠ ADVERTENCIA

Para evitar lesiones debidas a un arranque accidental de la sierra, cerciorarse que el interruptor esté en "OFF" (Apagado) y que el enchufe esté desconectado del tomacorriente.

REGULACIÓN DE LOS TOPES DE FÁBRICA A 90° Y 45° (FIG. Q, R)

La sierra viene de fábrica con topes que permiten colocar la mesa rápidamente en las posiciones de 90° y 45°. Hacer ajustes únicamente si es necesario.

Tope a 90°

1. Desenchufar la sierra del tomacorriente.
2. Girar la manivela de elevación de la hoja hasta que la hoja suba al máximo
3. Aflojar la perilla de fijación del ángulo del bisel y mover la hoja al máximo de la posición vertical. Volver a ajustar la perilla de fijación.
4. Para determinar si la hoja está a 90° con la mesa (**FIG. Q**), colocar una escuadra combinada sobre la mesa y contra la hoja (1).
5. Si la hoja no estuviese a 90° con la mesa, con una llave hexagonal de 3mm aflojar los dos pernos de fijación (4) que están ubicados en la parte de abajo de la sierra (**FIG. R**) y retroceder la brida (5).
6. Aflojar la perilla de fijación del ángulo de corte en bisel hasta que la hoja esté a 90° con la mesa
7. Ajustar la brida (5) para que haga contacto con el soporte (3) cuando la hoja esté a 90° con la mesa. Volver a ajustar los dos pernos de fijación (4).

Fig. Q

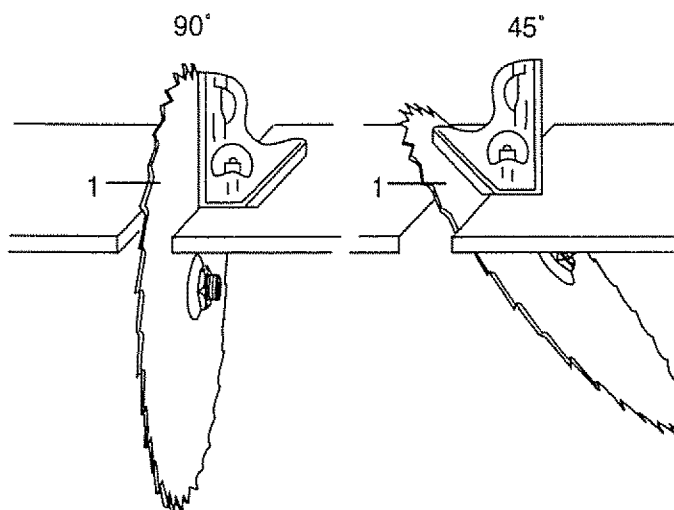
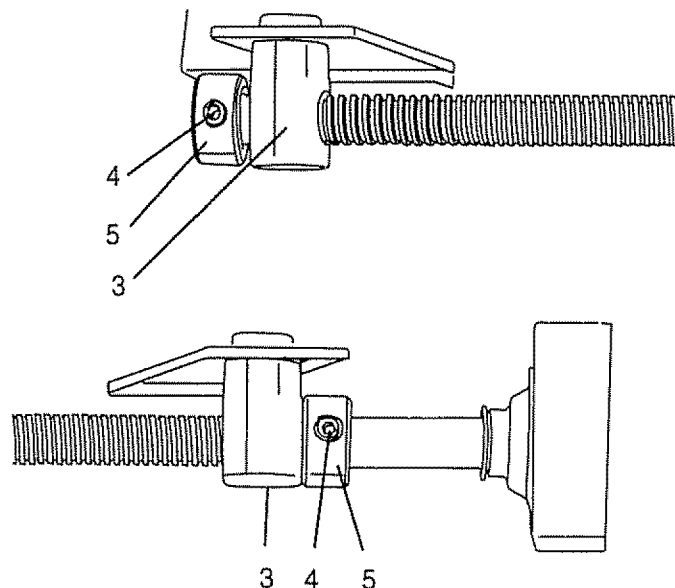


Fig. R



Tope a 45°

1. Con la hoja en posición vertical a 90°, aflojar la perilla de fijación del ángulo de corte en bisel y mover la hoja tanto como se pueda para lograr el ángulo de 45°.
2. Para determinar si la hoja está a 45° con la mesa (**FIG. Q**), colocar una escuadra combinada sobre la mesa y contra la hoja.
3. Si la hoja no estuviese a 45°, con una llave hexagonal de 3mm aflojar los dos pernos de fijación (4) que están ubicados en la parte de abajo de la sierra (**FIG. R**) y retroceder la brida (5).
4. Aflojar la perilla de fijación del ángulo del bisel hasta que la hoja esté a 45° con la mesa.
5. Ajustar la brida (5) para que haga contacto con el soporte (3) cuando la hoja esté a 45° con la mesa. Volver a ajustar los pernos de fijación (4).

INDICADOR DE INCLINACIÓN DE LA HOJA

1. Cuando la hoja esté a 90°, regular el puntero indicador de inclinación con la marca de 0° en la escala.
2. Aflojar el tornillo de fijación, colocar el puntero indicador sobre la marca de 0° y ajustar el tornillo.

NOTA: Cuando se vayan a hacer cortes críticos, medir la precisión del corte haciendo un corte de prueba en un retazo de madera de desecho.

PARALELISMO DE LA HOJA CON LA RANURA PARA EL MEDIDOR DE CORTE EN INGLETE (FIG. S)

⚠ ADVERTENCIA

Para evitar lesiones personales siempre desenchufar el cordón del tomacorriente antes de hacer cualquier regulación.

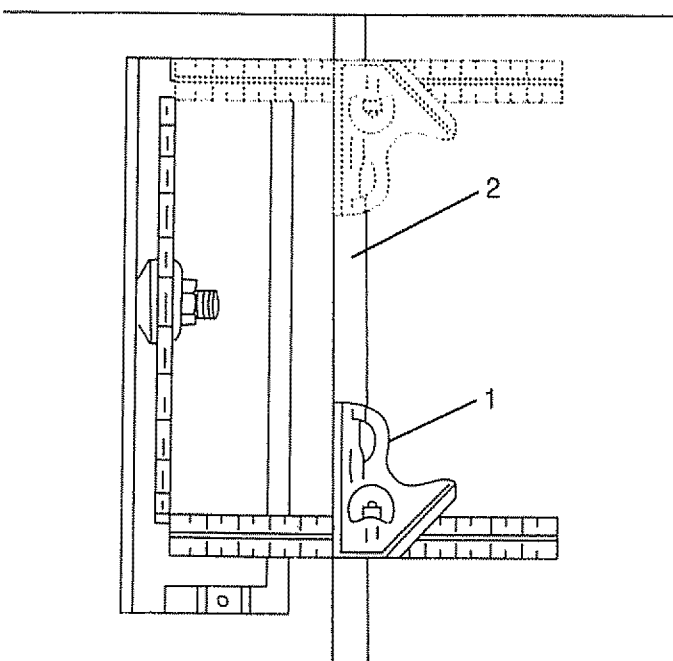
Esta regulación fue hecha en fábrica, pero debe revisarse y ajustarse si fuese necesario.

⚠ ADVERTENCIA

Esta regulación debe ajustarse para que quede correcta o la sierra "pateará" la pieza de trabajo de retroceso y no se podrán hacer cortes precisos.

1. Sacar la llave amarilla del interruptor y desenchufar la sierra.
2. Sacar la cubierta protectora de la sierra para que no interfiera.
3. Elevar la hoja hasta su posición más alta y fijarla en 0° (perpendicular).
4. Seleccionar un diente de la hoja que tenga la "posición correcta" y marcarlo con un plumón.
5. Colocar la base de una escuadra combinada (1) en el lado derecho de la ranura para el medidor de ángulos para corte en inglete (2) (FIG. S).
6. Regular la regla para que haga contacto con el frente del diente marcado y fijar la regla para que mantenga esa posición al cuadrar a escuadra.
7. Girar la hoja llevando el diente marcado a la parte posterior de la sierra y a aproximadamente 1/2" sobre la mesa.
8. Deslizar cuidadosamente la escuadra combinada hacia la parte de atrás hasta que haga contacto con el diente marcado.
9. Si la regla toca el diente marcado tanto cuando está adelante como cuando está atrás, no se requiere hacer ajuste alguno.

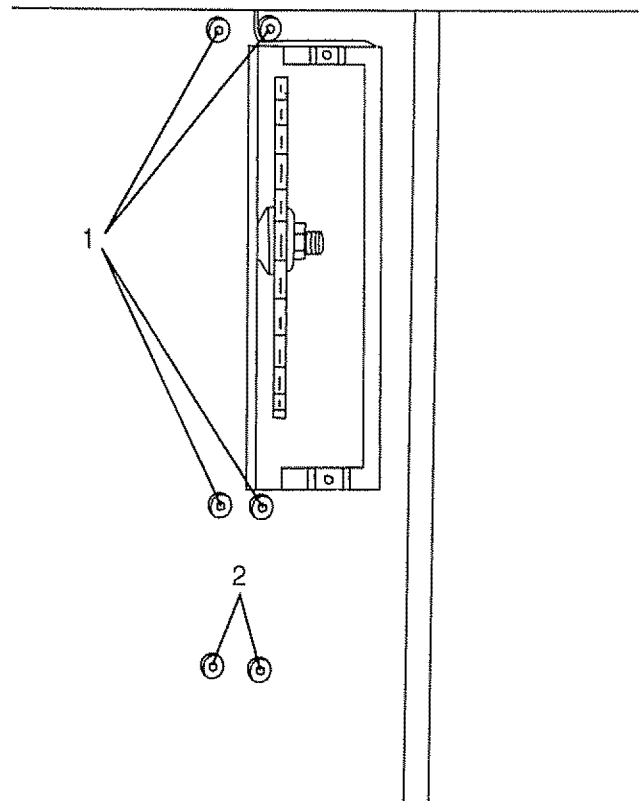
Fig. S



REGULACIÓN DEL PARALELISMO DE LA HOJA CON LA RANURA PARA EL MEDIDOR DE CORTE EN INGLETE (FIG. T)

1. Si la medida de la distancia en el frente y atrás no es igual, retirar la escuadra combinada y aflojar los cuatro pernos de fijación (1) que están sobre la mesa aproximadamente media vuelta.
2. Con un pedazo de cartón doblado cubriendo la hoja para protegerse las manos, mover la hoja cuidadosamente a la izquierda o la derecha tanto como sea necesario para alinearla correctamente.
3. Volver a ajustar los cuatro pernos (1) y volver a medir como se indica en los pasos 4 al 9 de la sección anterior.
4. Si no se puede lograr el alineamiento regulando los pernos de fijación (1), también aflojar los dos pernos de fijación (2). Sólo aflojar estos pernos (2) si es que fuese necesario.
5. Volver a revisar la luz que la hoja tiene alrededor y cerciorarse que la hoja no haga contacto con el inserto de la mesa ni con otras partes cuando esté a 90° y a 45°.
6. Volver a ajustar los pernos.

Fig. T



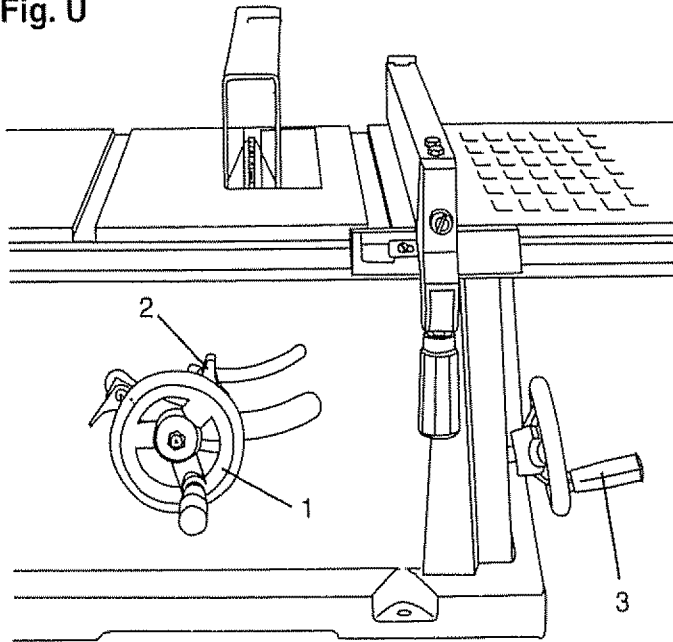
OPERACIÓN

OPERACIONES BÁSICAS DE CORTE

ELEVACIÓN DE LA HOJA (FIG. U)

Para elevar o bajar la hoja de la sierra, girar la manivela (1) hasta lograr la altura deseada y volver a ajustar la manija de fijación (2) para mantener la altura deseada.

Fig. U



INCLINACIÓN DE LA HOJA (FIG. U)

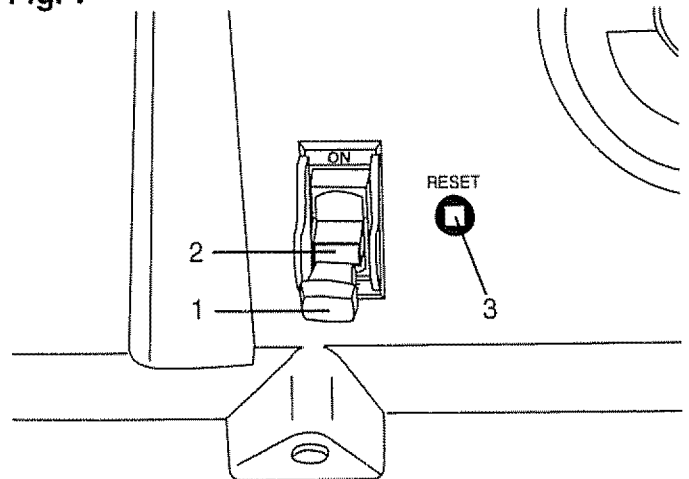
Para inclinar la hoja de la sierra para hacer cortes en bisel, aflojar el seguro de fijación (2) y girar la manivela inclinadora (3). Luego ajustar el seguro de fijación (2).

INTERRUPTOR (FIG. V)

El interruptor tiene una llave que se puede sacar. Cuando la llave no esté en el interruptor se minimiza el riesgo de uso no autorizado y peligroso por niños u otras personas.

1. Para activar la sierra, insertar la llave (1) en la ranura del interruptor (2). Subir la llave a la posición de "ON" (Prendido).
2. Para apagar la sierra, bajar la llave a la posición de "OFF" (Apagado).
3. Para bloquear el interruptor en la posición de "OFF" (Apagado), agarrar el extremo amarillo de la llave (1) y sacar la llave halándola.
4. Cuando la llave no esté en el interruptor, éste no puede activar la sierra.
5. Si se retira la llave mientras la sierra esté funcionando, podrá apagarse usando el interruptor, pero no se podrá volver a poner en marcha (1).

Fig. V



PROTECCIÓN DE SOBRECARGA (FIG. V)

Esta sierra tiene un botón de reposicionamiento (3) para el relé de sobrecarga que volverá a poner el motor en marcha después que se haya apagado por una sobre carga o una caída de voltaje. Si el motor se detiene durante la operación, mover la llave del interruptor a la posición de "OFF" (Apagado). Esperar a que el motor se enfríe por unos cinco minutos. Luego presionar el botón de reposicionamiento (3) y regresar la llave del interruptor a la posición de "ON" (Prendido).

▲ ADVERTENCIA

Para evitar lesiones, mientras el motor se esté enfriando, el interruptor debe estar en la posición de "OFF" (Apagado) y se debe desenchufar el cordón del tomacorriente para evitar un arranque accidental cuando se presione el botón de reposicionamiento. El sobrecalentamiento puede deberse al mal alineamiento de las piezas o a que la hoja esté sin filo. Inspeccionar la sierra antes de volverla a poner en marcha.

OPERACIONES DE CORTE

Existen dos tipos básicos de corte: a lo largo de la hebra y a lo ancho de la hebra o corte cruzado. Ninguno de estos dos tipos de corte pueden hacerse en forma segura a mano libre. El corte a lo largo requiere el uso de la barrera y el corte atravesado requiere que se use como guía el medidor de inglete.

CUIDADO

Antes de cada uso de la sierra, inspeccionar lo siguiente:

1. Que la hoja esté ajustada en el eje portahoja.
2. Que la perilla de fijación para el ángulo de corte en bisel esté ajustada.
3. Si se va a cortar a lo largo de la hebra, que la perilla de la barrera esté ajustada y paralela a la ranura para el medidor de inglete.
4. Que la cubierta protectora de la hoja esté en buenas condiciones e instalada en posición.
5. Usar anteojos de seguridad.

No seguir estas simples reglas de seguridad y las impresas en la primera parte de este manual pueden aumentar la probabilidad de que ocurran lesiones personales.

CORTE A LO LARGO DE LA HEBRA (FIG. W, X)

⚠ ADVERTENCIA

No permitir que el exceso de familiaridad basada en el uso frecuente de la sierra haga cometer descuidos. Recordar que una fracción de segundo de descuido es suficiente para causar una lesión severa

- 1 Desmontar el medidor para cortes en inglete. Fijar la barrera a la mesa
- 2 Subir la hoja hasta que quede a 3mm (1/8") sobre la pieza de trabajo
- 3 Colocar la pieza de trabajo plana sobre la mesa y contra la barrera. Mantener la pieza de trabajo alejada de la hoja como 2.5cm (1")

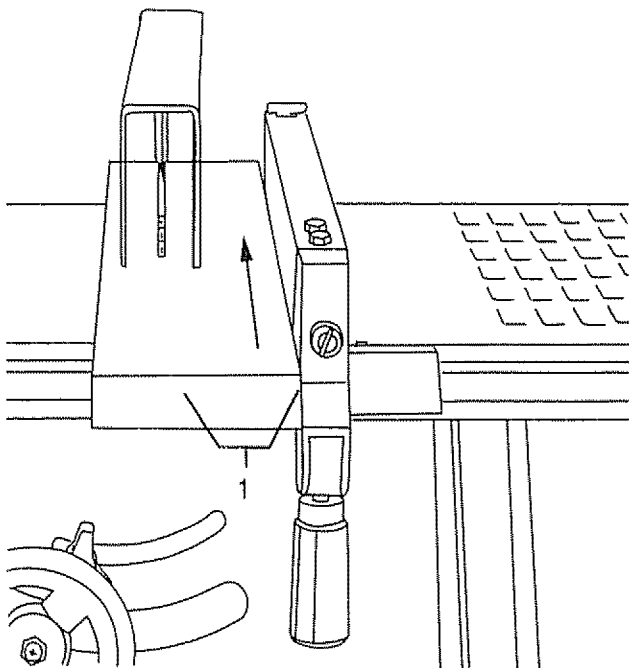
CUIDADO: La pieza de trabajo debe tener un borde recto apoyado contra la barrera y no debe estar arqueada, ondulada ni torcida

4. Poner la sierra en marcha colocando el interruptor en la posición de "ON" (Prendido) y esperar que alcance toda su velocidad
5. Avanzar la pieza de trabajo lentamente empujándola contra la hoja desde la sección (1) de la pieza de trabajo que pasará entre la hoja y la barrera (FIG. W)

⚠ ADVERTENCIA

Para EVITAR QUE LA SIERRA "PATEE" la pieza de trabajo en retroceso, empujarla desde la sección que pasará entre la hoja y la barrera.

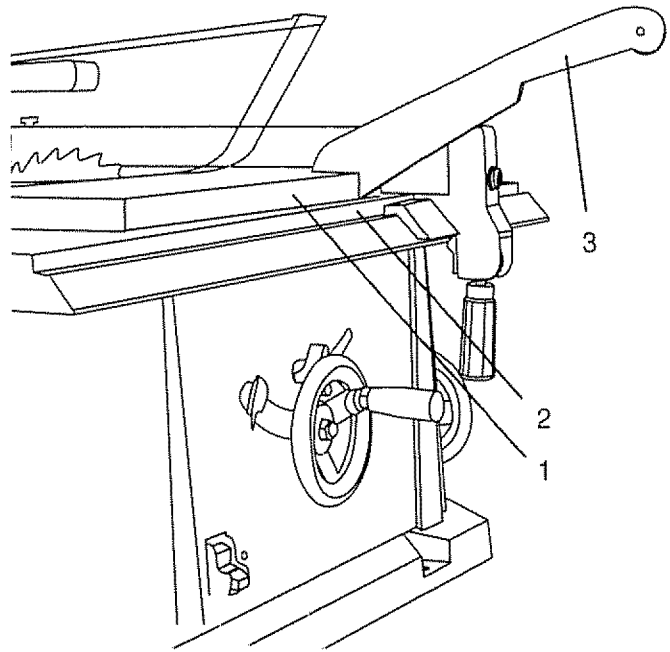
Fig. W



6. Mantener los dedos fuera del tablero de la mesa. Cuando los dedos que empujan la pieza de trabajo lleguen al borde (2) de la mesa, terminar de empujar la pieza de trabajo con un palo. Fabricar un palo empujador usando el molde que está en la página 26.
7. Debe usarse un palo empujador (3) siempre que el corte a la pieza (1) (FIG. X) tenga 5cm (2") de ancho o menos
8. Continuar empujando la pieza de trabajo con el palo empujador (3) hasta que pase al otro lado de la mesa

- 9 Nunca halar la pieza de trabajo de retroceso cuando la hoja esté girando. Apagar la sierra. Cuando la hoja se detenga completamente subir los trinquetes a cada lado del soporte separador y deslizar la pieza de trabajo fuera de la mesa.

Fig. X



CORTE BISELADO A LO LARGO DE LA HEBRA

Este corte se hace igual que el corte a lo largo de la hebra, excepto que el ángulo de corte en bisel no es 0°.

⚠ ADVERTENCIA

Cortar únicamente con la pieza de trabajo y la barrera en el lado derecho de la hoja

CORTE A LO LARGO DE LA HEBRA DE PIEZAS PEQUEÑAS

⚠ ADVERTENCIA

Para evitar lesiones por contacto con la hoja, nunca hacer cortes a lo largo de la hebra de un ancho menor a 1.3cm (1/2").

1. Es peligroso cortar a lo largo de la hebra pedazos angostos de madera. Como alternativa cortar a lo largo una pieza de trabajo grande para obtener la pieza del tamaño que se desea
2. Cuando se tenga que cortar a lo largo de la hebra un pedazo de madera angosto y que la mano no entre en forma segura en el espacio entre la hoja y la barrera, usar uno o más palos empujadores para empujar la pieza de trabajo

CORTE CRUZADO (FIG. Y)

⚠ ADVERTENCIA

No permitir que el exceso de familiaridad basada en el uso frecuente de la sierra se convierta en descuido. Recordar que una fracción de segundo de descuido es suficiente para causar una lesión severa.

- 1 Sacar la barrera de la mesa y colocar el medidor para corte en inglete en la ranura izquierda de la mesa
- 2 Subir la hoja hasta que quede a 3mm (1/8") sobre la pieza de trabajo.
- 3 Sujetar la pieza de trabajo firmemente contra el medidor para cortes en inglete, alineando el lugar del corte en la pieza con la hoja. Mover la pieza de trabajo hasta que quede a 2.5cm (1") de la hoja

⚠ ADVERTENCIA

Mantener ambas manos alejadas de la hoja y del camino de la hoja

4. Poner la sierra (1) en marcha colocando el interruptor en la posición de "ON" (Prendido) y esperar que alcance toda su velocidad.
5. Mantener la pieza de trabajo (2) con la cara plana contra la barrera del medidor de inglete (3) y contra la mesa. Luego empujar la pieza de trabajo lentamente contra la hoja (FIG. Y)
6. Nunca halar la pieza de trabajo de retroceso cuando la hoja esté girando. Apagar la sierra. Cuando la hoja se detenga completamente deslizar la pieza de trabajo fuera de la mesa.

Fig. Y

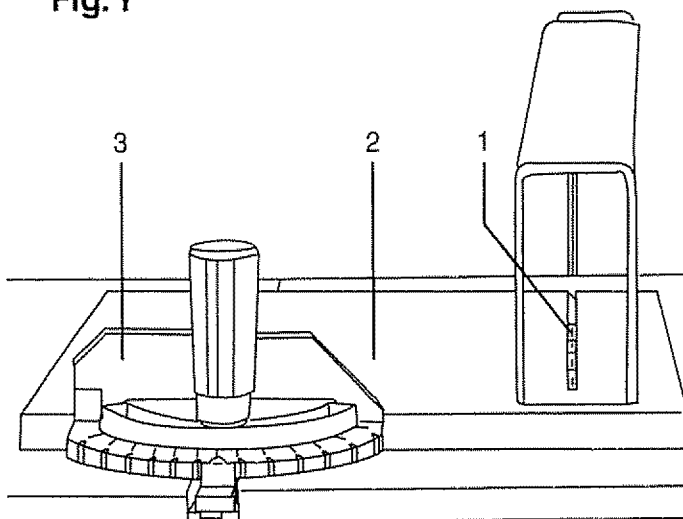
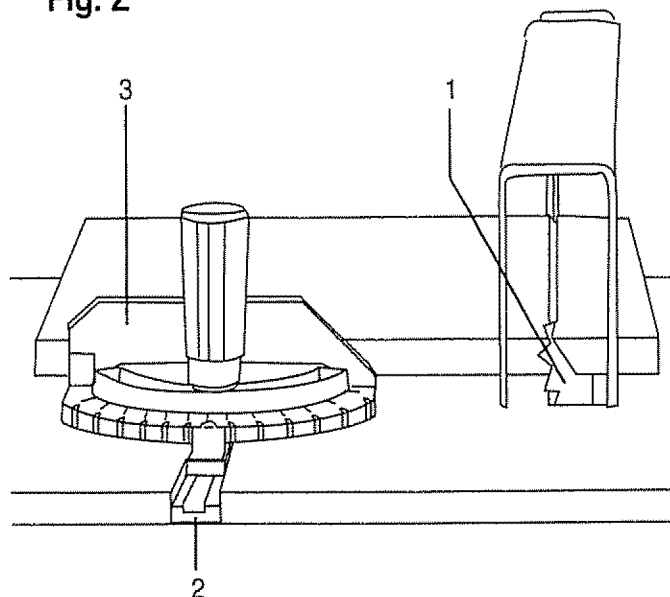


Fig. Z

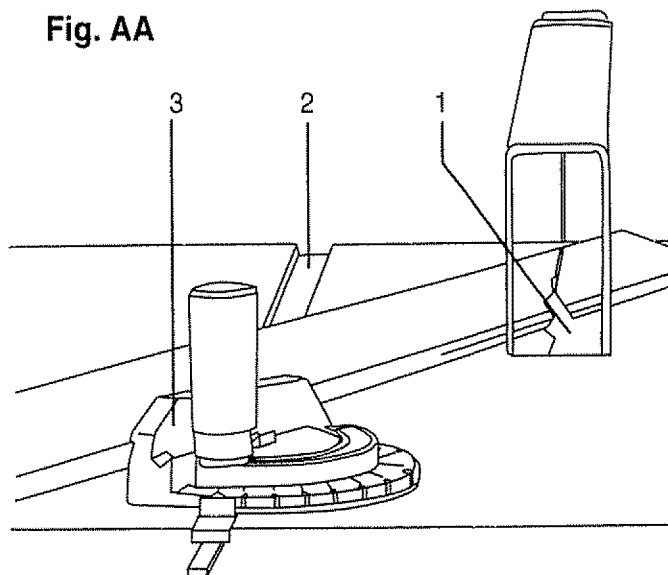


CORTE CRUZADO COMBINADO (FIG. AA)

Consiste en combinar un corte en bisel y en inglete a la vez

1. Graduar el medidor de ángulo (3) para corte en inglete al ángulo deseado. Usar únicamente la ranura izquierda (2) de la mesa.
2. Regular la hoja al ángulo (1) deseado para corte en bisel.
3. Para comenzar el corte, empujar la pieza de trabajo cuidadosamente por el medidor de inglete.

Fig. AA



CORTE CRUZADO BISELADO (FIG. Z)

Este corte se hace igual que el corte cruzado, excepto que el ángulo de corte en bisel no es de 0°.

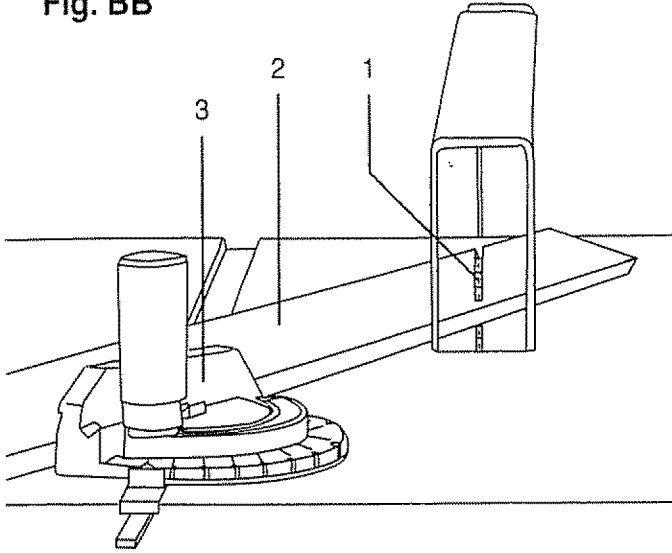
1. Regular la hoja al ángulo (1) deseado y ajustar la manija de fijación de la hoja para el corte en bisel.
2. Siempre trabajar en el lado izquierdo de la hoja. El medidor de inglete (3) debe estar en la ranura izquierda (2) de la mesa. No puede usarse en la ranura derecha de la mesa a menos que el ángulo del medidor de inglete sea bien agudo de lo contrario interferirá con la cubierta protectora de la hoja.

CORTE EN INGLETE (FIG. BB)

Este corte es igual al corte cruzado, excepto que el medidor para corte en inglete está fijado en un ángulo diferente a 90°

1. Sujetar la pieza de trabajo (2) firmemente contra el medidor de inglete (3).
2. Para evitar que la pieza de trabajo se salga de la posición, avanzarla lentamente contra la hoja (1).

Fig. BB

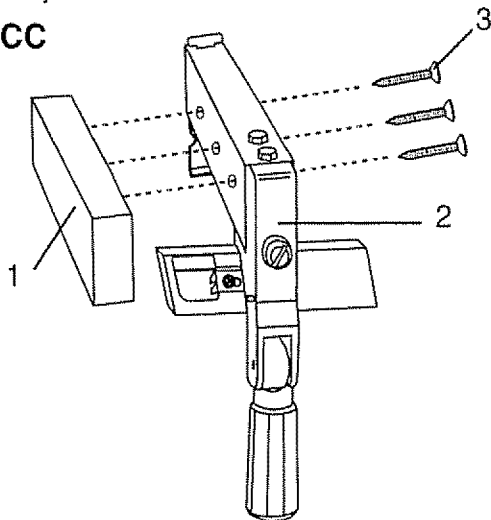


USO DE UNA APLICACIÓN DE MADERA EN LA BARRERA (FIG. CC)

Cuando se hagan cortes especiales se puede aplicar una madera (1) a cualquiera de los lados de la barrera (2):

1. Usar una tabla (1) lisa de 19mm (3/4") de espesor del mismo largo que la barrera
2. Fijar la tabla a la barrera con tornillos (3) para madera insertándolos en los orificios de la barrera. Se aplica una madera a la barrera cuando se van a hacer cortes a lo largo de la hebra en planchas delgadas (como en el caso de paneles) para evitar que se atrape entre la parte inferior de la barrera y la mesa.

Fig. CC



CORTE DE RANURAS (FIG. DD)

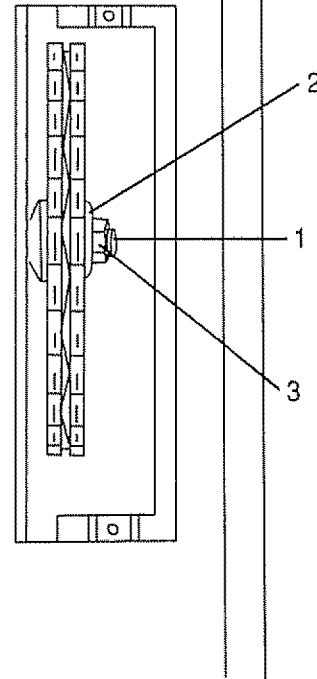
1. Con esta sierra se incluye un inserto de mesa para cortar con juego de hojas ranuradoras. Desmontar la hoja de la sierra, la cubierta protectora e instalar el juego de hojas ranuradoras y el inserto de mesa para ranurar.
2. Las instrucciones para hacer ranuras vienen en el paquete del juego de hojas ranuradoras que se compran por separado
3. El eje porta hoja (1) de esta sierra permite cortar ranuras de máximo 12.7mm (1/2") de ancho.

4. No es necesario instalar la brida exterior (2) antes de enroscar la tuerca (3) del eje porta hoja. Cerciorarse que el eje portahoja (3) quede ajustado y que por lo menos una vuelta de rosca del eje sobresalga de la tuerca.
5. Usar juegos de hojas ranuradoras de 15cm (6") y mantener el ancho del corte a 12.7mm (1/2") o menos. Será necesario sacar la cubierta protectora de la hoja y el soporte separador cuando de usen los juegos de hojas ranuradoras. Tener cuidado cuando se hacen cortes con el juego de hojas ranuradoras
6. Sólo usar la cantidad de hojas rebajadoras para el medio y redondas para los extremos que indique el manual de instrucciones del juego, en una combinación que no exceda 12.7mm (1/2") de ancho.
7. Cerciorarse que el juego de hojas ranuradoras no haga contacto con el casco de la sierra, el inserto de la mesa ni con el motor cuando esté operando

⚠ ADVERTENCIA

Por su propia seguridad, siempre volver a instalar la hoja, su cubierta protectora y el inserto de la mesa cuando se termine de cortar ranuras.

Fig. DD



MANTENIMIENTO DE LA SIERRA DE MESA

Fig. EE

MANTENIMIENTO GENERAL

▲ ADVERTENCIA

Para evitar lesiones causadas por arranques inesperados de la sierra y quitar la llave del interruptor. Desconectar el enchufe del tomacorriente antes de hacerle mantenimiento o lubricar la sierra.

- 1 Eliminar el aserrín que se acumula dentro del gabinete de la sierra y en el motor.
- 2 Pulir la hoja de la sierra con cera automotriz en pasta y mantenerla limpia para que se deslice más fácilmente en la pieza de trabajo.
- 3 Limpiar las hojas de sierra con removedor de suciedad y de goma.
- 4 Los cordones eléctricos gastados, cortados o dañados deben reemplazarse inmediatamente.

▲ ADVERTENCIA

Solo técnicos capacitados deben intentar hacer las reparaciones eléctricas o mecánicas. Contactarse con el Centro de Servicio Sears más cercano. Usar únicamente piezas de repuesto idénticas. El uso de repuestos diferentes puede generar riesgos.

- 5 Usar detergente líquido para vajilla y agua para lavar las piezas plásticas.

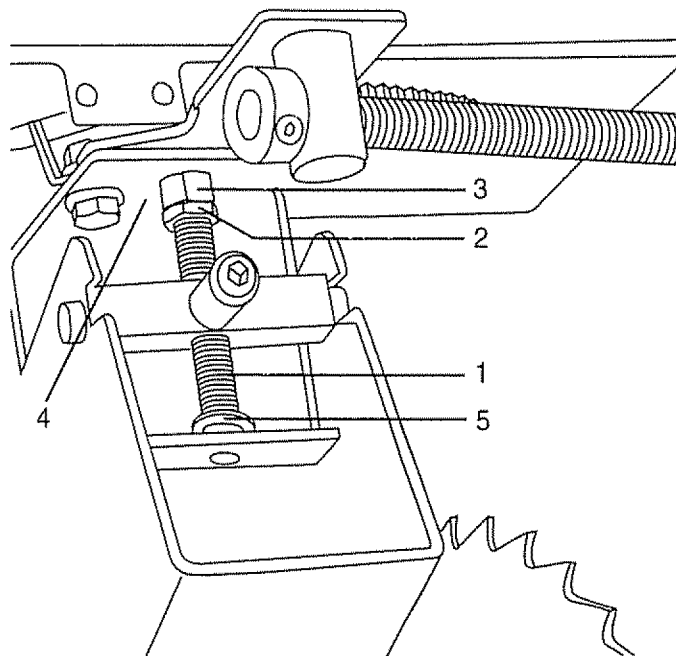
NOTA: Ciertos productos químicos limpiadores pueden dañar las piezas plásticas.

- 6 Evitar el uso de los siguientes limpiadores químicos o solventes: gasolina, tetracloruro de carbono, solventes clorinados, amoníaco y detergentes caseros que contengan amoníaco.

MECANISMO DE ELEVACIÓN E INCLINACIÓN DE LA HOJA

Después de cada cinco horas de operación, inspeccionar el mecanismo de elevación e inclinación de la hoja para detectar si hay piezas sueltas, pegadas o con alguna otra anomalía. Con la sierra desenchufada del tomacorriente, dar vuelta de cabeza a la sierra y subir y bajar la unidad del motor repetidamente. Observar si el mecanismo de montaje del motor tiene algún juego. Si los pernos de elevación (1) (FIG. EE) tuviesen algún juego, deben ajustarse de la siguiente forma:

- 1 Aflojar la tuerca (2).
- 2 Con la mano ajustar la tuerca (3) contra el soporte (4), luego retroceder la tuerca (3) 1/6 de vuelta.
- 3 Ajustar la tuerca (2) mientras se sujeta la tuerca (3). El juego máximo tolerable para el vástago (1) del perno es 4mm.



Aplicar una pequeña cantidad de lubricante seco tal como grafito o silicona en el vástago (1) a la altura de la arandela (5). No aceitar las vueltas de la rosca del vástago (1), éstas deben mantenerse limpias y sin aserrín, goma suciedad o cualquier otro contaminante que dificulte la operación suave del mecanismo.

Si se observa que las piezas están demasiado sueltas en cualquier otra parte del mecanismo de elevación e inclinación, llevar la unidad completa a un Centro de Servicio Autorizado de Sears.

LUBRICACIÓN

Todos los cojinetes del motor vienen de fábrica con lubricación permanente y no requieren lubricación adicional. Lubricar todas las piezas mecánicas de la mesa que pivoteen o se enrosquen en ejes con lubricante de grafito o silicona. Estos lubricantes secos no permitirán que el aserrín se pegue como es el caso del aceite y la grasa.

DIAGNÓSTICO DE PROBLEMAS

GUÍA PARA EL DIAGNÓSTICO DE PROBLEMAS

▲ ADVERTENCIA

Para evitar lesiones por arranques accidentales de la sierra, siempre colocar el interruptor en la posición de "OFF" y desenchufar el cordón del tomacorriente antes de lubricar o hacerle cualquier regulación a la sierra

- Si el motor no funcionase por cualquier motivo, consultar con el Centro de Servicio de Sears más cercano

PROBLEMA	CAUSA PROBABLE	SOLUCIÓN
El motor no arranca.	<ol style="list-style-type: none"> 1 La sierra no está enchufada al tomacorriente. 2 Fusible volado o interruptor de circuito abierto 3 Cordón dañado. 	<ol style="list-style-type: none"> 1 Enchufar la sierra al tomacorriente 2 Reemplazar el fusible o reposicionar el interruptor de circuito. 3 Hacer que un Centro Autorizado de Servicio de Sears cambie el cordón.
No hace cortes precisos a lo largo de la hebra a 45° ni a 90°.	<ol style="list-style-type: none"> 1. El tope de fábrica no está bien ajustado 2. El puntero indicador de ángulo no está bien regulado. 	<ol style="list-style-type: none"> 1. Verificar la hoja con una escuadra y regular el tope de fábrica 2. Verificar la hoja con una escuadra y regular el puntero a "cero".
La pieza de trabajo muerde la hoja al cortar a lo largo de la hebra.	<ol style="list-style-type: none"> 1 La barrera no está alineada con la hoja. 2 Pieza de trabajo ondulada, arqueada o el borde contra la barrera no es recto 	<ol style="list-style-type: none"> 1 Verificar el alineamiento con la barrera 2 Seleccionar otra pieza de madera
El material se pega al separador	<ol style="list-style-type: none"> 1 El separador no está debidamente alineado con la hoja 	<ol style="list-style-type: none"> 1. Inspeccionar el separador y alineado con la hoja
La sierra no hace cortes satisfactorios	<ol style="list-style-type: none"> 1. Hoja sin filo 2. Hoja instalada al revés 3. Goma o resina en la hoja 4. Hoja inadecuada para el trabajo que se hace. 5. Goma o resina pegada a la mesa hacen que el avance de la pieza sea errático 	<ol style="list-style-type: none"> 1 Reemplazar la hoja. 2. Invertir la hoja. 3. Desmontar la hoja y limpiarla con trementina y lana o viruta de acero. 4 Cambiar la hoja. 5. Limpiar la hoja con trementina y lana o viruta de acero
La pieza de trabajo rebota de la hoja.	<ol style="list-style-type: none"> 1. Barrera desalineada. 2 Soporte separador no está alineado con la hoja 3 Se está avanzando la pieza de trabajo prescindiendo de la barrera. 4. El soporte separador no está instalado protector). 5. Reemplazar la hoja. 6. El operador está soltando la pieza de trabajo antes que termine de pasar por la hoja 7. La perilla de regulación del medidor de inglete no está bien ajustada. 	<ol style="list-style-type: none"> 1. Alinear la barrera con la ranura para el medidor de inglete 2. Alinear el soporte separador con la hoja. 3. Instalar y usar la barrera. 4. Instalar y usar el soporte separador (Y el 5 Hoja sin filo. 6. Antes de soltar la pieza de trabajo empujarla hasta que pase la hoja completamente. 7 Ajustar la perilla
La hoja no sube o no se inclina con facilidad.	<ol style="list-style-type: none"> 1. Aserrín y suciedad acumulados en el mecanismo de elevación e inclinación. 	<ol style="list-style-type: none"> 1 Cepillar o soplar el aserrín y la suciedad que estén sueltos
La hoja no alcanza toda su velocidad	<ol style="list-style-type: none"> 1. El cordón de extensión demasiado delgado o largo. 2. El voltaje de la corriente está bajo en la casa 	<ol style="list-style-type: none"> 1 Reemplazar con un cordón de las dimensiones adecuadas 2. Contactarse con la compañía de suministro eléctrico.
La máquina vibra excesivamente	<ol style="list-style-type: none"> 1 La sierra no está montada en forma segura al banco de trabajo. 2 El banco de trabajo o el piso no están nivelados 3. La hoja de la sierra está dañada 	<ol style="list-style-type: none"> 1. Ajustar todos los elementos de montaje. 2. Colocar sobre una superficie 3 Reemplazar la hoja.
No hace cortes precisos cruzados en 45° ni 90°.	<ol style="list-style-type: none"> 1. El medidor de inglete está mal regulado 	<ol style="list-style-type: none"> 1 Regular el medidor de inglete

PARTES

LISTA DE PARTES DE LA SIERRA DE MESA DE 10"

MODEL NO. 137.221960

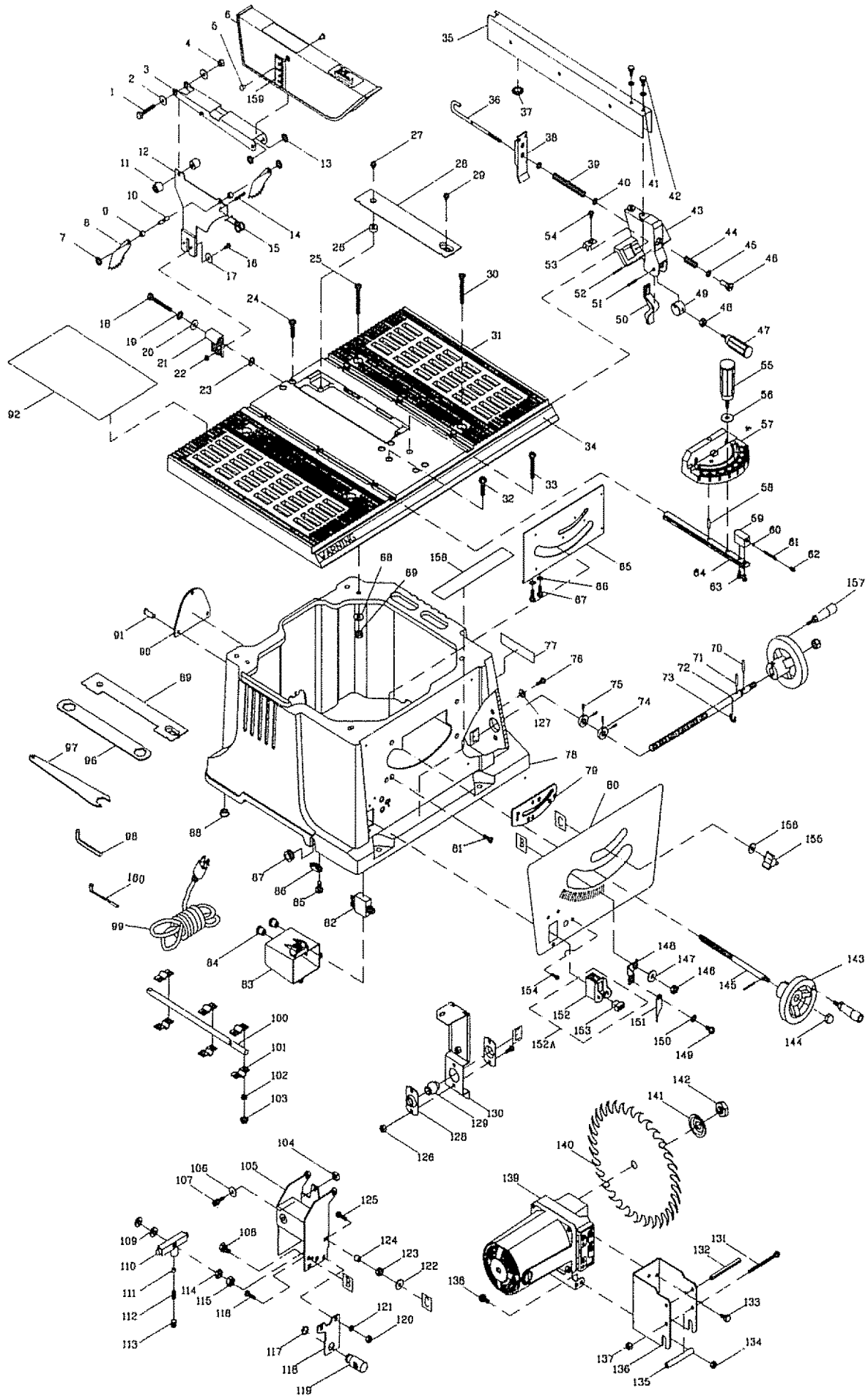
▲ ADVERTENCIA

Al darle servicio a la máquina, sólo usar de repuestos CRAFTSMAN. El uso de cualquier otro repuesto puede crear RIESGOS o dañar la herramienta. Cualquier intento de reparar o reemplazar las piezas eléctricas de esta sierra de mesa puede crear RIESGOS a menos que la reparación la haga un técnico calificado de servicio. Se dispone de servicio de reparación en el centro de Servicio de Sears más cercano

Siempre ordenar dando el NÚMERO DE PARTE no el número en el diagrama

No. Diag.	No. Parte	Descripción	Tamaño	Cantidad	No. Diag.	No. Parte	Descripción	Tamaño	Cantidad
1	2601BZDA45	Perno hexagonal	M6 x 1.0-40	1	81	2651MHDB12	Tornillo autoenroscante	M4 x 16-10	8
2	2501MZDN06	Arandela plana	6 x 13-1	2	82	2853D55502	Interruptor de circuito		1
3	14912301	Brzo de soporte		1	83	14902302	Caja del interruptor		1
4	2705FZD106	Tuerca hex	M6 x 1.0 T=6	1	84	2801DBHA04	Buje aliviador de tensión	RC-1632	2
5	2690MZD514	Remache	6-8	2	85	2660MBCE14	Tornillo autoenroscante	M4 x 16-16	2
6	14912205	Cubierta protectora de la hoja		1	86	83990121	Grapa para cordón		1
7	2570DBN606	Anillo auto enganchable	SPN-6	2	87	2801ABRF01	Buje aliviador de tensión	11	1
8	14913101	Trinquete antiretroceso		2	88	18402702	Almohadilla de caucho		4
9	14913201	Buje		2	89	14903104	Inserto para ranurar		1
10	14913301	Clavija		1	90	14905603	Cubierta de placa		1
11	14912801	Espaciador		2	91	2690MZD515	Remache	5-11	3
12	14912904	Soporte del protector		1	92	14915101	Rótulo de "Advertencia"		1
13	2570DBN606	Anillo auto enganchable	SPN-6	2	93	1490006B1	Cubierta de hoja, incluye chaveta #1-15		1
14	2536MBE607	Clavija del resorte	4-22	1	94	14913401	Barrera guía, incluye chaveta #35-54		1
15	14913401	Resorte		1	95	2570DBN606	Medidor de inglete, incluye chaveta \$55-64		1
16	2601BZDA41	Perno hex.	M6 x 1.0-20	2	96	14014801	Llave hex.		1
17	2501NZDN10	Arandela plana	1/4 x 3/4-3/16	2	97	14904402	Llave de boca		1
18	2601BZDA47	Perno hex	M6 x 1.0-50	1	98	2138MBL704	Llave Allen	4-64	1
19	2504MZC006	Arandela dentada	6	1	99	2807BB06CA	Cordón eléctrico		1
20	2501NZDN10	Arandela plana	1/4 x 3/4-3/16	1	100	14921306	Barra		1
21	14205001	Soporte separador		1	101	14921403	Banda		6
22	2701FBD106	Tuerca hex	M6 x 1.0 T=5	2	102	2502NBC406	Arandela de presión	1/4"	6
23	14914901	Arandela	D=18	2	103	2708FBD107	Tuerca hex.	M6 x 1.0 T=6	6
24	2604BBLA42	Perno/tornillo	M6 x 1.0-25	3	104	14921001	Montura		1
25	2636BZDBA9	Perno/tornillo	M6 x 1.0-50	3	105	14921702	Soporte		1
26	2801ABRF01	Arandela de caucho	6.1	1	106	2501NBDN03	Arandela plana	3/16 x 3/8-0.022	1
27	2621BZDA18	Perno cabeza de tornillo	M5 x 0.8-12	1	107	2617BBLC11	Perno prisionero hex.	M5 x 0.8-20	1
28	14903101	Inserto		1	108	2615BZDD25	Perno Hex. con arandela	M8 x 1.25-16	1
29	2621BZDA18	Perno cabeza de tornillo	M5 x 0.8-12	1	109	2501NNHN34	Arandela plana	3/8 x 3/4-5/64	2
30	2636BZDB48	Perno cabeza avellanada	M6 x 1.0-55	10	110	14921802	Soporte		1
31	14902807	Mesa		1	111	14901203	Montura		1
32	2668BBDA43	Perno/tornillo cabeza redonda	M6 x 1.0-30	1	112	14901302	Resorte		1
33	2668BBDA44	Perno cabeza avellanada	M6 x 1.0-35	1	113	2603BBLA66	Perno prisionero hex	M10 x 1.5-12	1
34	14902904	Escala		1	114	2701FZD111	Tuerca hex	M10 x 1.5 T=4	1
35	14910006	Barrera		1	115	2701FZD110	Hex. nut	M10 x 1.5 T=8	1
36	14910102	Clavija de fijación		1	116	2672BBDA40	Perno Cab. tornillo cuello cuadrado	M6 x 1.0-16	2
37	14914701	Brida		1	117	2570BBN116	Anillo C	A-16	1
38	14910204	Sujetador posterior		1	118	14935102	Placa de soporte		1
39	18611101	Resorte		1	119	14935001	Tuerca		1
40	2501MZDN06	Arandela plana	6 x 13-1	2	120	2701FBD106	Tuerca hex.	M6 x 1.0 T=5	2
41	2504MZC006	Arandela dentada	6	2	121	2502ABC417	Arandela de presión	6	2
42	2601BZDA40	Perno hex.	M6 x 1.0-16	2	122	2501NBDN09	Arandela	1/4 x 3/4-7/64	1
43	14910502	Bloque delantero		1	123	2701FZD106	Tuerca hex.	M6 x 1.0 T=5	1
44	18623801	Resorte		1	124	14922901	Espaciador		1
45	2501MBDN28	Arandela plana	10 x 16-1	1	125	2672BZDA44	Perno Cab. tornillo cuello cuadrado	M6 x 1.0-35	1
46	18622701	Tuerca		1	126	2701FBD107	Tuerca hex.	M6 x 1.0 T=6	2
47	14002601	Manija		1	127	2501NBDN16	Arandela plana	1/4 x 3/4-1/16	2
48	2701FZD113	Tuerca hex	M8 x 1.25 T=6.5	1	128	15210601	Asiento de cojinete		2
49	18622201	Excéntrica		1	129	14936301	Eje		1
50	186122301	Sujetador delantero		1	130	14935902	Refuerzo		1
51	2536MBE616	Clavija de resorte	6-25	1	131	2672BBDA50	Perno Cab. tornillo cuello cuadrado	M6 x 1.0-80	1
52	2536MBE608	Clavija de resorte	4-24	1	132	2536MBE621	Clavija de resorte	8-90	1
53	14910701	Puntero		1	133	2615BBD025	Tornillo autoenroscante	M8 x 1.25-16	3
54	2668BZDA06	Perno cabeza de tornillo	M4 x 0.7-6	1	134	2701FBD105	Tuerca hex.	M5 x 0.8 T=4	1
55	14911602	Perilla		1	135	14920301	Espaciador		1
56	2501NZDN10	Arandela plana	1/4 x 3/4-3/16	1	136	14920003	Soporte		1
57	14911402	Cabezal		1	137	2709FZDA02	Tuerca hex.	M6 x 1.0	1
58	14608001	Clavija	L=20	1	138	2620BBD018	Tuerca cabeza de tornillo	M5 x 0.8-12	1
59	14911802	Puntero indicador de ángulo		1	139	8387129904	Motor		1
60	29835L5006	Bola de acero	5	1	140	14930203	Hoja	D=255	1
61	14523301	Anillo de compresión		1	141	14930102	Sujetador de hoja		1
62	2603BBLA38	Perno prisionero hex.	M6 x 1.0-10	1	142	14930002	Tuerca hex.		1
63	2608BBLA32	Perno prisionero hex.	M5 x 0.8-10	2	143	14900603	Manivela		2
64	14911707	Barra plana		1	144	2703FMD108	Tuerca corona	M8 x 1.25 T=12.5	2
65	14905801	Lámina de retén		1	145	14901103	Barra roscada		1
66	2504MZC004	Arandela dentada	4	2	146	2701FZD113	Tuerca hex.	M8 x 1.25 T=6.5	1
67	2668BZDA09	Perno cabeza avellanada	M4 x 0.7-12	2	147	2501MZDN08	Arandela plana	8 x 16-2.5	1
68	2501NZDN10	Arandela plana	1/4 x 3/4 x 3/16	4	148	14901501	Soporte del puntero		1
69	2709FZDA02	Tuerca hex.	M6 x 1.0	4	149	2668BZDA23	Perno cabeza de tornillo	M5 x 0.8-8	1
70	2536MBE605	Clavija de resorte	3-24	2	150	2504MZB006	Arandela dentada	6	1
71	2536MBE629	Clavija de resorte	3-14	1	151	14901703	Puntero		1
72	14936001	Vanilla roscada	L=309	1	152	2851D55G06	Interruptor, incluye llave #153		1
73	2570BBN209	Anillo E		2	153	28605BH071	Llave de interruptor		1
74	14936501	Anillo Parrie		2	154	2653MZDE11	Tornillo autoenroscante	M6 x 16-12	4
75	2603BBLA36	Perno prisionero hex.	M6 x 1.0-6	4	155	15100801	Manija tensionadora		1
76	2668BBDA39	Tuerca cabeza de tornillo	M6 x 1.0-12	4	156	2501NBDN16	Arandela plana	8 x 16-2.5	1
77	14936701	Rótulo de "Cuidado"		1	157	14900603	Perilla		2
78	14900111	Base		1	*	17095006	Manual de Operación		1
79	14900204	Retaining chip		1	158	14906104	Rótulo de "Advertencia"		1
80	14900381	Rótulo		1	159	149014802	Rótulo		1
					160	2138MBL709	Llave Allen	4-64	1

* Not shown



⚠ ADVERTENCIA

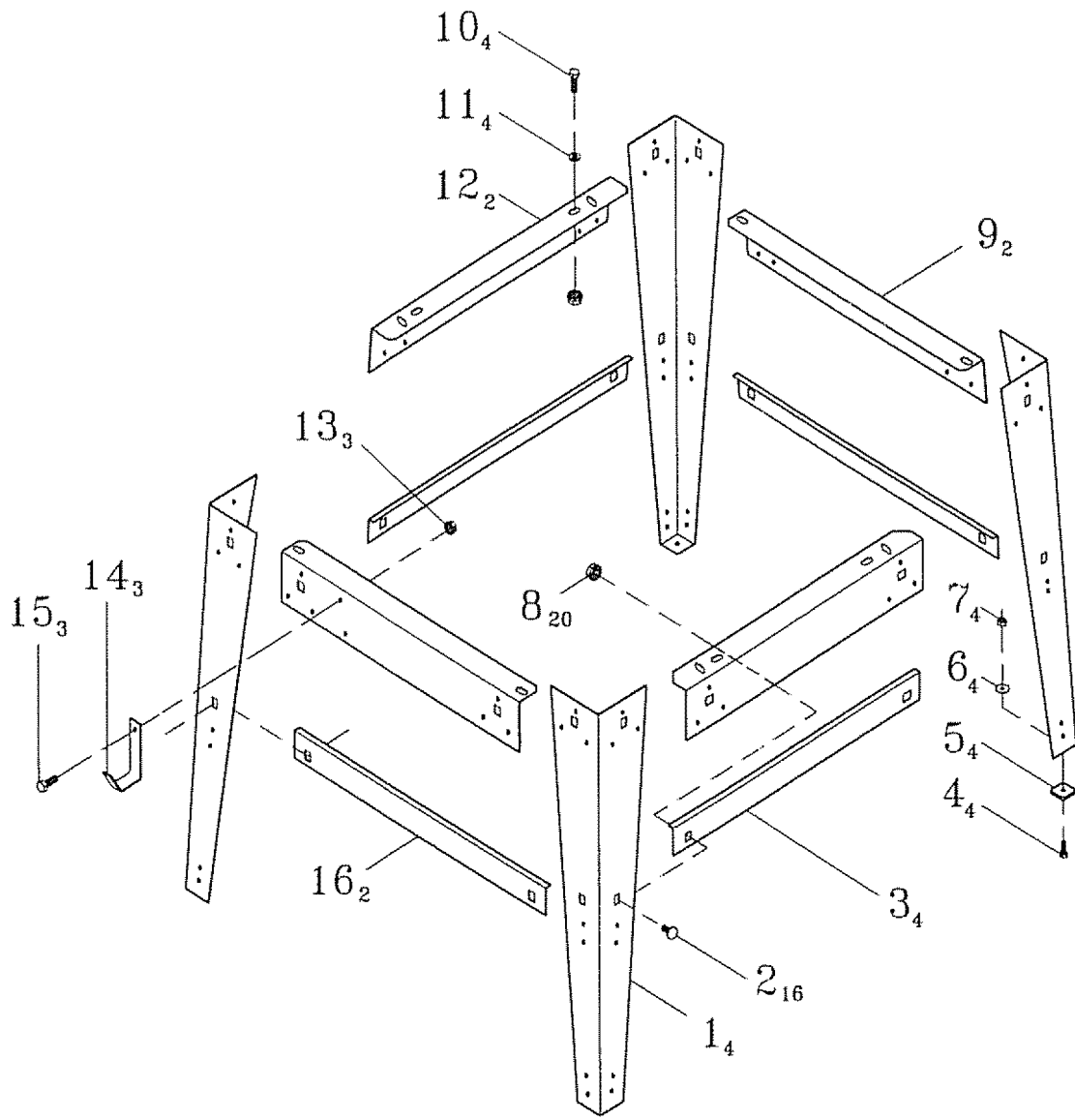
Al dar servicio sólo usar repuestos CRAFTSMAN. El uso de otros repuestos podría generar RIESGOS o dañar la unidad.

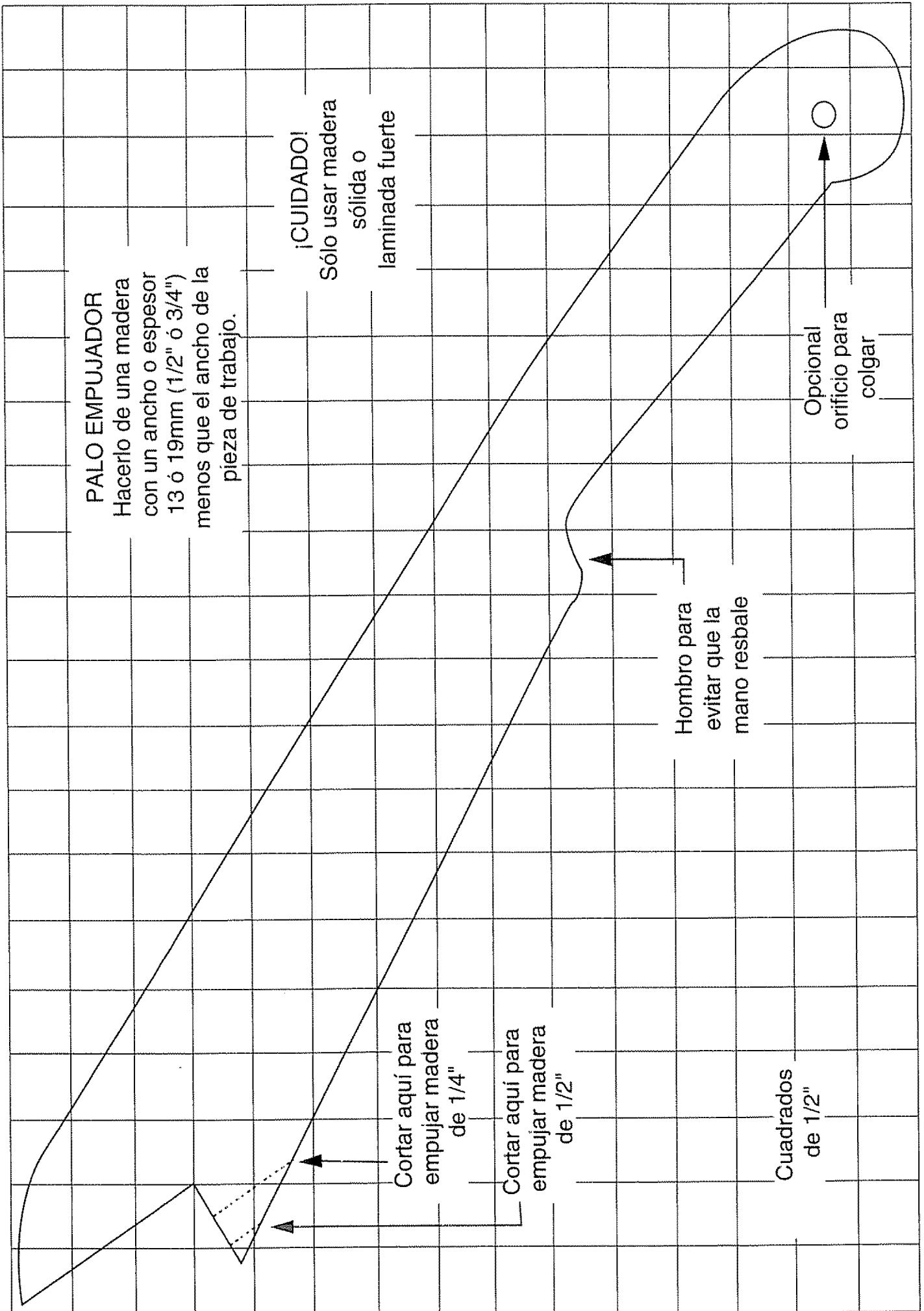
⚠ ADVERTENCIA

Cualquier intento de reparar este motor podría generar RIESGOS a menos que lo haga un electricista calificado. El Centro de Servicio Sears más cercano puede hacer las reparaciones.

Ordenar con el NUMERO DE PARTE no con el número correlativo

No.	Número de Parte	Descripción	Tamaño	Tamaño
1	17050101	Soporte inferior - patas		4
2	2672BBDA54	Perno cabeza de tornillo con cuello cuadrado	M8 x 1.25-16	16
3	17050401	Travesaño inferior (largo)	L=526	2
4	2601BBDA69	Perno cabeza hex.	M10 x 1.5-20	4
5	14000304	Espaciador - zapata para pata		4
6	2501MBDN11	Arandela plana	10 x 20-2	4
7	2701FBD109	Tuerca hex.	M10 x 1.5 T=8	4
8	2708FBD112	Tuerca hex.	M8 x 1.25 T=7.5	20
9	17050301	Travesaño superior (corto)	L=410	2
10	2601BBDA57	Perno cabeza hex.	M8 x 1.5-30	4
11	2501MBDN08	Arandela plana	8 x 16-2.5	4
12	17050201	Soporte superior (largo)	L=449	2
13	2708FBD107	Tuerca hex.	M6 x 1.0 T=6	3
14	14942801	Gancho		3
15	2601BBDA39	Perno cabeza hex.	M6 x 1.0-12	3
16	17050501	Travesaño inferior (corto)	L=472	2





PALO EMPUJADOR
 Hacerlo de una madera
 con un ancho o espesor
 13 ó 19mm (1/2" ó 3/4")
 menos que el ancho de la
 pieza de trabajo.

¡CUIDADO!
 Sólo usar madera
 sólida o
 laminada fuerte

Cortar aquí para
 empujar madera
 de 1/4"

Cortar aquí para
 empujar madera
 de 1/2"

Hombro para
 evitar que la
 mano resbale

Cuadrados
 de 1/2"

Opcional
 orificio para
 colgar

For in-home major brand repair service:

Call 24 hours a day, 7 days a week

1-800-4-MY-HOMESM (1-800-469-4663)

Para pedir servicio de reparación a domicilio – 1-800-676-5811

In Canada for all your service and parts needs call – **1-800-665-4455**
Au Canada pour tout le service ou les pièces

For the repair or replacement parts you need:

Call 7 am – 7 pm, 7 days a week

1-800-366-PART (1-800-366-7278)

Para ordenar piezas con entrega a domicilio – 1-800-659-7084

For the location of a Sears Parts and Repair Center in your area:

Call 24 hours a day, 7 days a week

1-800-488-1222

**For information on purchasing a Sears Maintenance Agreement
or to inquire about an existing Agreement:**

Call 9 am – 5 pm, Monday – Saturday

1-800-827-6655



The Service Side of SearsSM