

**SEARS  
OWNER'S  
MANUAL**

**MODEL NO.  
917.299642**

**Caution:  
Read and follow  
all Safety Rules  
and Instructions  
Before Operating  
This Equipment**



**CRAFTSMAN  
4.0 HORSEPOWER  
14 INCH TINE WIDTH  
COUNTER ROTATING TINES  
REAR TINE TILLER**

**Assembly  
Operation  
Maintenance  
Service and Adjustment  
Repair Parts**



# SAFETY RULES

## Safe Operation Practices for Walk-Behind Powered Rotary Tillers



### TRAINING

- Read the operating and service instruction manual carefully. Be thoroughly familiar with the controls and the proper use of the equipment. Know how to stop the unit and disengage the controls quickly.
- Never allow children to operate the equipment. Never allow adults to operate the equipment without proper instruction.
- Keep the area of operation clear of all persons, particularly small children, and pets.

### PREPARATION

- Thoroughly inspect the area where the equipment is to be used and remove all foreign objects.
- Disengage all clutches and shift into neutral before starting the engine (motor).
- Do not operate the equipment without wearing adequate outer garments. Wear footwear that will improve footing on slippery surfaces.
- Handle fuel with care; it is highly flammable.
  - Use an approved fuel container.
  - Never add fuel to a running engine or hot engine.
  - Fill fuel tank outdoors with extreme care. Never fill fuel tank indoors.
  - Replace gasoline cap securely and clean up spilled fuel before restarting.
- Use extension cords and receptacles as specified by the manufacturer for all units with electric drive motors or electric starting motors.
- Never attempt to make any adjustments while the engine (motor) is running (except where specifically recommended by manufacturer).

### OPERATION

- Do not put hands or feet near or under rotating parts.
- Exercise extreme caution when operating on or crossing gravel drives, walks, or roads. Stay alert for hidden hazards or traffic. Do not carry passengers.
- After striking a foreign object, stop the engine (motor), remove the wire from the spark plug, thoroughly inspect the tiller for any damage, and repair the damage before restarting and operating the tiller.
- Exercise caution to avoid slipping or falling.

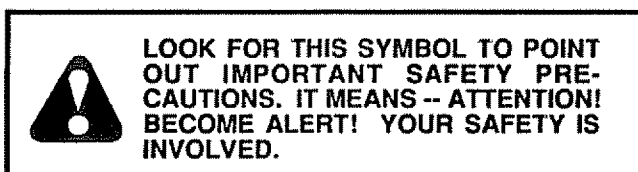
- If the unit should start to vibrate abnormally, stop the engine (motor) and check immediately for the cause. Vibration is generally a warning of trouble.
- Stop the engine (motor) when leaving the operating position, before unclogging the tines, and when making any repair, adjustments, and inspections.
- Take all possible precautions when leaving the machine unattended. Disengage the power take-off, lower the attachment, shift into neutral, stop the engine, and remove the key.
- Before cleaning, repairing, or inspecting, shut off the engine and make certain all moving parts have stopped. Disconnect the spark plug wire, and keep the wire away from the plug to prevent accidental starting. Disconnect the cord on electric motors.
- Do not run the engine indoors; exhaust fumes are dangerous.
- Never operate the tiller without proper guards, plates, or other safety protective devices in place.
- Keep children and pets away.
- Do not overload the machine capacity by attempting to till too deep at too fast a rate.
- Never allow bystanders near the unit.
- Use only attachments and accessories approved by the manufacturer of the tiller (such as wheelweights, counterweights, cabs, and the like).
- Never operate the tiller without good visibility or light.
- Be careful when tilling in hard ground. The tines may catch in the ground and propel the tiller forward. If this occurs, let go of the handlebars and do not restrain the machine.

### MAINTENANCE AND STORAGE

- Keep machine, attachments, and accessories in safe working condition.
- Check shear bolts, engine mounting bolts, and other bolts at frequent intervals for proper tightness to be sure the equipment is in safe working condition.
- Never store the machine with fuel in the fuel tank inside a building where ignition sources are present, such as hot water and space heaters, clothes dryers, and the like. Allow the engine to cool before storing in any enclosure.
- Always refer to the Owner's Manual instructions for important details if the tiller is to be stored for an extended period.

### -IMPORTANT -

Warnings, Cautions, and Notes are a means of attracting attention to important or critical information in this manual.



**CAUTION:** USED TO ALERT YOU THAT THERE IS A POSSIBILITY OF DAMAGING THIS EQUIPMENT.

**NOTE:** Gives essential information that will aid you to better understand, incorporate, or execute a particular set of instructions.

**CONGRATULATIONS** on your purchase of a Sears Craftsman Tiller. It has been designed, engineered and manufactured to give you the best possible dependability and performance.

Should you experience any problems you cannot easily remedy, please contact your nearest Sears Service Center/Department. We have competent, well trained technicians and the proper tools to service or repair this unit.

Please read and retain this manual. The instructions will enable you to assemble and maintain your Tiller properly. Always observe the "SAFETY RULES".

**PRODUCT SPECIFICATIONS**

HORSEPOWER:	4.0
DISPLACEMENT:	11.39 CU. IN.
GASOLINE CAPACITY:	2 QUART (UNLEADED)
OIL (20 OZ. CAPACITY):	SAE 30W (SAE 10W 30)
SPARK PLUG (GAP .030 IN.):	CHAMPION RCJ8

MODEL NUMBER 917.299642  
 SERIAL NUMBER \_\_\_\_\_  
 DATE OF PURCHASE \_\_\_\_\_

THE MODEL AND SERIAL NUMBERS WILL BE FOUND ON THE MODEL PLATE ATTACHED TO THE TOP OF THE TRANSMISSION.

YOU SHOULD RECORD BOTH SERIAL NUMBER AND DATE OF PURCHASE AND KEEP IN A SAFE PLACE FOR FUTURE REFERENCE.

**MAINTENANCE AGREEMENT**

A Sears Maintenance Agreement is available on this product. Contact your nearest Sears store for details.

**CUSTOMER RESPONSIBILITIES**

- Read and observe the safety rules.
- Follow a regular schedule in maintaining, caring for and using your Tiller.
- Follow the instructions under "Maintenance" and "Storage" sections of this Owner's Manual.

**LIMITED ONE YEAR LIMITED WARRANTY ON CRAFTSMAN TILLER**

For one year from date of purchase, when this Craftsman Tiller is maintained, lubricated, and tuned up according to the instructions in the owner's manual, Sears will repair, free of charge, any defect in material and workmanship.

If this Craftsman Tiller is used for commercial or rental purposes, this Warranty applies for only 30 days from the date of purchase.

This Warranty does not cover:

- expendable items which become worn during normal use, such as tines, spark plug, air cleaners and belts.
- Repairs necessary because of operator abuse or negligence, including bent crankshafts and the failure to maintain the equipment according to the instructions contained in the owner's manual.

WARRANTY SERVICE IS AVAILABLE BY RETURNING THE CRAFTSMAN TILLER TO THE NEAREST SEARS SERVICE CENTER/DEPARTMENT IN THE UNITED STATES. THIS WARRANTY APPLIES ONLY WHILE THIS PRODUCT IS IN USE IN THE UNITED STATES.

This Warranty gives you specific legal rights, and you may also have other rights which vary from state to state.

Sears, Roebuck and Co., D/731CR-W, Sears Tower, Chicago, IL 60684

**-NOTE-**

This unit is equipped with an internal combustion engine and should not be used on or near any unimproved forest-covered, brush-covered or grass covered land unless the engine's exhaust system is equipped with a spark arrester meeting applicable local or state laws (if any). If a spark arrester is used, it should be maintained in effective working order by the operator.

In the state of California the above is required by law (Section 4442 of the California Public Resources Code). Other states may have similar laws. Federal laws apply on federal lands. See your Sears Authorized Service Center for spark arrester. Refer to page 33 of Repair Parts section of this manual for part number.

# TABLE OF CONTENTS

SAFETY RULES.....	2	STORAGE.....	21
CUSTOMER RESPONSIBILITIES.....	3	TROUBLE SHOOTING.....	21
WARRANTY.....	3	REPAIR PARTS-TILLER.....	23-28
PRODUCT SPECIFICATIONS.....	5	REPAIR PARTS-ENGINE.....	29-33
TILLER ACCESSORIES.....	5	PARTS ORDERING/SERVICE.....	back page
ASSEMBLY.....	6		
OPERATION.....	9		
MAINTENANCE.....	14		
SERVICE RECOMMENDATIONS.....	16		
SERVICE & ADJUSTMENT.....	17		





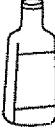

## INDEX

<p style="text-align: center;"><b>A</b></p> <p>Adjustments:</p> <ul style="list-style-type: none"> <li>Carburetor..... 20</li> <li>Depth Stake..... 10</li> <li>Handle Height..... 17</li> <li>Tines..... 19</li> <li>Throttle..... 20</li> <li>Ground Drive Belt..... 18</li> <li>Wheels..... 13,17</li> </ul> <p>Air Cleaner:</p> <ul style="list-style-type: none"> <li>Maintenance..... 14</li> </ul> <p style="text-align: center;"><b>B</b></p> <p>Belts:</p> <ul style="list-style-type: none"> <li>Ground Drive Belt..... 18</li> </ul> <p style="text-align: center;"><b>C</b></p> <p>Carburetor:</p> <ul style="list-style-type: none"> <li>Adjustment..... 20</li> </ul> <p>Cooling System:</p> <ul style="list-style-type: none"> <li>Maintenance..... 14</li> </ul> <p>Controls:</p> <ul style="list-style-type: none"> <li>Choke..... 9</li> <li>Tine..... 9</li> <li>Throttle..... 9</li> </ul> <p>Cultivating:</p> <ul style="list-style-type: none"> <li>Operation..... 13</li> </ul> <p style="text-align: center;"><b>D</b></p> <p>Depth Stake:</p> <ul style="list-style-type: none"> <li>Adjustment..... 10</li> </ul> <p style="text-align: center;"><b>E</b></p> <p>Engine:</p> <ul style="list-style-type: none"> <li>Air Cleaner..... 14</li> <li>Repair Parts..... 29 - 33</li> <li>Cooling System..... 14</li> <li>Fuel Type..... 12</li> <li>Lubrication..... 11</li> <li>Oil Level..... 11</li> <li>Oil Type..... 11</li> <li>Spark Plug..... 14</li> <li>Starting &amp; Stopping..... 11,12</li> <li>Storage..... 21</li> <li>Winter Operation..... 13</li> </ul>	<p style="text-align: center;"><b>F</b></p> <p>Fuel:</p> <ul style="list-style-type: none"> <li>Filling Tank..... 12</li> <li>Type..... 12</li> <li>Storage..... 21</li> </ul> <p>Finish:</p> <ul style="list-style-type: none"> <li>Maintenance..... 15</li> </ul> <p style="text-align: center;"><b>H</b></p> <p>Handle:</p> <ul style="list-style-type: none"> <li>Repair Parts..... 23</li> <li>Height Adjustment..... 17</li> </ul> <p style="text-align: center;"><b>L</b></p> <p>Lubrication:</p> <ul style="list-style-type: none"> <li>Lubrication Chart..... 16</li> <li>Engine..... 11</li> </ul> <p style="text-align: center;"><b>M</b></p> <p>Maintenance:</p> <ul style="list-style-type: none"> <li>Air Cleaner..... 14</li> <li>Cooling System..... 14</li> <li>Finish..... 15</li> <li>Maintenance Check List..... 16</li> <li>Muffler..... 14</li> <li>Spark Plug..... 14</li> <li>Transmission..... 15</li> <li>Oil Change..... 15</li> </ul> <p>Muffler:</p> <ul style="list-style-type: none"> <li>Maintenance..... 14</li> <li>Spark Arrestor..... 32</li> </ul> <p style="text-align: center;"><b>O</b></p> <p>Oil:</p> <ul style="list-style-type: none"> <li>Level..... 11</li> <li>Type..... 11</li> </ul> <p>Operation:</p> <ul style="list-style-type: none"> <li>Cultivating..... 13</li> <li>Fill Engine with Oil..... 15</li> <li>Fill Fuel Tank..... 12</li> <li>Start Engine..... 12</li> <li>Stopping Tine &amp; Engine..... 11</li> <li>Tilling..... 10</li> <li>Tilling Hints..... 12</li> <li>Tine Operation..... 10</li> <li>Transporting Tiller..... 11</li> <li>Winter Operation..... 13</li> </ul>	<p style="text-align: center;"><b>R</b></p> <p>Repair Parts:</p> <ul style="list-style-type: none"> <li>Illustrated Breakdown..... 23 - 33</li> </ul> <p>Rules for Safe Operation:</p> <ul style="list-style-type: none"> <li>List of Rules..... 2</li> </ul> <p style="text-align: center;"><b>S</b></p> <p>Service &amp; Adjustment:</p> <ul style="list-style-type: none"> <li>Carburetor..... 21</li> <li>Handle Height..... 17</li> <li>Tine Arrangement..... 19</li> <li>Throttle Control Adjustment..... 20</li> <li>Ground Drive Belt..... 18</li> </ul> <p>Service:</p> <ul style="list-style-type: none"> <li>Service Record..... 16</li> <li>Repair Parts..... 23 - 33</li> </ul> <p>Spark Plug:</p> <ul style="list-style-type: none"> <li>Gap..... 14</li> </ul> <p>Storage:</p> <ul style="list-style-type: none"> <li>Fuel System..... 21</li> <li>Tiller..... 21</li> </ul> <p style="text-align: center;"><b>T</b></p> <p>Tilling:</p> <ul style="list-style-type: none"> <li>Operation..... 10</li> </ul> <p>Tines:</p> <ul style="list-style-type: none"> <li>Repair Parts..... 28</li> <li>Replacement..... 19</li> <li>Operation..... 10</li> </ul> <p>Throttle:</p> <ul style="list-style-type: none"> <li>Control Adjustment..... 20</li> </ul> <p>Transmission:</p> <ul style="list-style-type: none"> <li>Maintenance..... 15</li> <li>Repair Parts..... 26</li> </ul> <p>Trouble Shooting:</p> <ul style="list-style-type: none"> <li>Chart..... 21</li> </ul> <p>Transporting:</p> <ul style="list-style-type: none"> <li>Operation..... 11</li> </ul> <p style="text-align: center;"><b>W</b></p> <p>Warranty:</p> <ul style="list-style-type: none"> <li>Tiller..... 3</li> </ul>
---	--	--

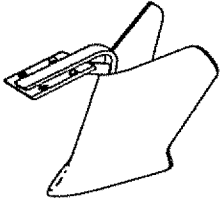
# TILLER ACCESSORIES

THESE ACCESSORIES WERE AVAILABLE WHEN THE TILLER WAS PURCHASED. THEY ARE ALSO AVAILABLE AT MOST SEARS RETAIL OUTLETS, CATALOG AND SERVICE CENTERS. MOST SEARS STORES CAN ORDER REPAIR PARTS FOR YOU, WHEN YOU PROVIDE THE MODEL NUMBER OF YOUR TILLER.





## ENGINE

SPARK PLUG	MUFFLER	AIR FILTER	GAS CAN	ENGINE OIL	STABILIZER
					

## TILLER PERFORMANCE

FURROW OPENER


## TILLER MAINTENANCE

BELT	TINES	RETAINING PIN	HAIRPIN CLIP
			

# ASSEMBLY

## TO ASSEMBLE YOUR TILLER YOU WILL NEED:

- (1) utility knife
- (1) wire cutter
- (1) tire pressure gauge
- (1) pair of pliers
- (1) screwdriver
- (1) 9/16" wrench
- (1) ratchet
- (1) socket extension
- (1) 9/16" socket

## OPERATOR'S POSITION

The right hand (R.H.) and left hand (L.H.) sides of your Tiller are determined from the Operator's Position while standing behind Tiller.

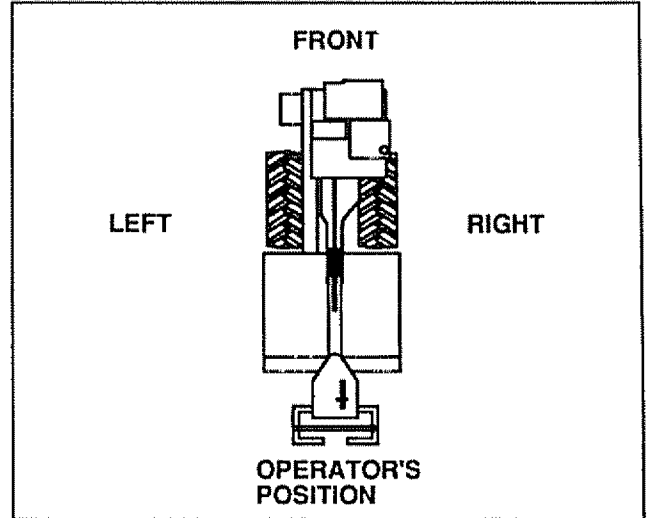


FIGURE 1

## YOUR BAG OF PARTS WILL CONSIST OF THE FOLLOWING:



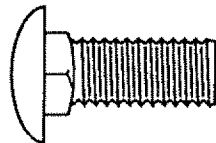
(1) Owner's Manual



(2) Hairpin Clips



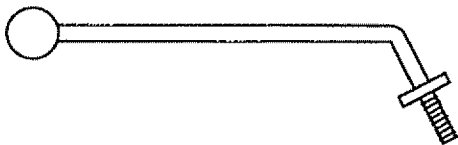
(1) Cable Clip



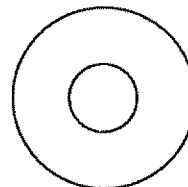
(2) Carriage Bolts 3/8 - 16 UNC x 1 Gr. 5



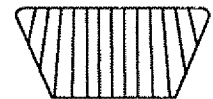
(2) Center Locknuts 3/8 x 16 UNC



(1) Handle Lock Lever



(1) Flat Washer 13/32 x 1 x 11 Ga.



(2) Handle Locks

# ASSEMBLY

## UNPACKING CARTON



**BE CAREFUL OF EXPOSED STAPLES WHEN HANDLING OR DISPOSING OF CARTONING MATERIAL.**

**CAUTION:** WHEN UNPACKING AND ASSEMBLING TILLER, BE CAREFUL NOT TO STRETCH OR KINK CABLES.

- While holding Handle Assembly, cut Cable Ties securing Handle Assembly to Top Frame and Depth Stake. Let Handle Assembly rest on Tiller.
- Remove Top Frame of Carton.
- Slowly ease Handle Assembly up and place upside down on top of Carton (Fig. 2).

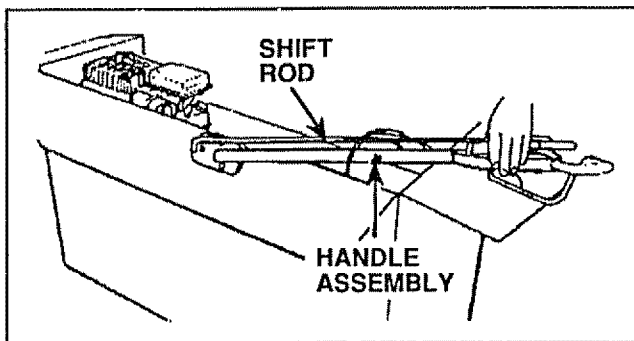


FIGURE 2

- Cut down right hand front and right hand rear corners of Carton, lay side carton wall down.
- Remove packing material from Handle Assembly.
- Separate Shift Rod from Handle Assembly.

## INSTALL HANDLE

- Insert one Handle Lock (with teeth facing OUTWARD) in Gearcase Notch (Fig. 3). (Apply grease on smooth side of Handle Lock to aid in keeping Lock in place until Handle is lowered into position).

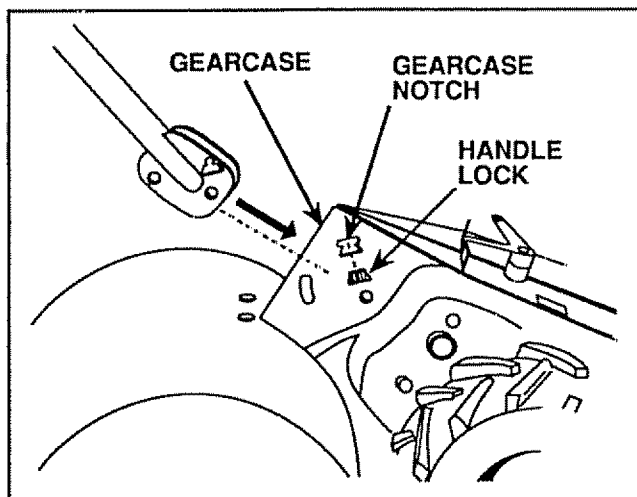


FIGURE 3

- Grasp Handle Assembly. Hold in "UP" position (Fig. 4). Be sure Handle Lock remains in Gearcase Notch. Slide Handle Assembly onto Gearcase.

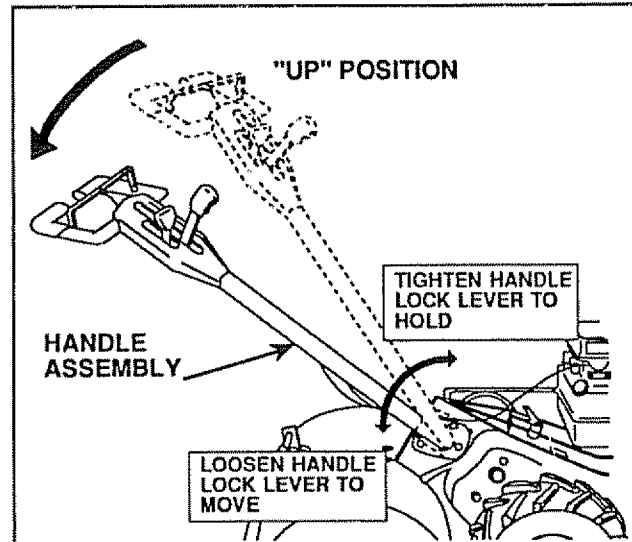


FIGURE 4

- Rotate Handle Assembly down to install two Carriage Bolts and Lock Nuts. Insert rear Carriage Bolt (Fig. 5) first, with head of Bolt on L.H. side of Tiller. Lower the Handle Assembly. Tighten Bolts so Handle moves with some resistance.
- Insert second Handle Lock (with teeth INWARD) in the slot of the Handle Base (Fig. 5).
- Place Flat Washer on threaded end of Handle Lock Lever.
- Insert Handle Lock Lever through Handle Base and Gearcase.
- With Handle Assembly in lowest position, securely tighten Handle Lock Lever by rotating clockwise (↻). Leaving Handle Assembly in lowest position will make it easier to remove Tiller from Carton.

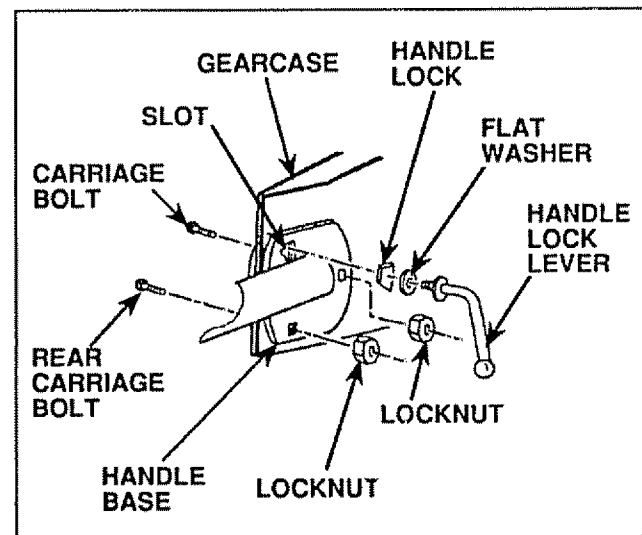


FIGURE 5

# ASSEMBLY

## CONNECT SHIFT ROD

- Insert one end of Shift Rod (Fig 6) into hole of Shift Lever Indicator.
- Swing Shift Rod to the right side of Tiller and insert one of two Hairpin Clips through hole of Shift Rod.

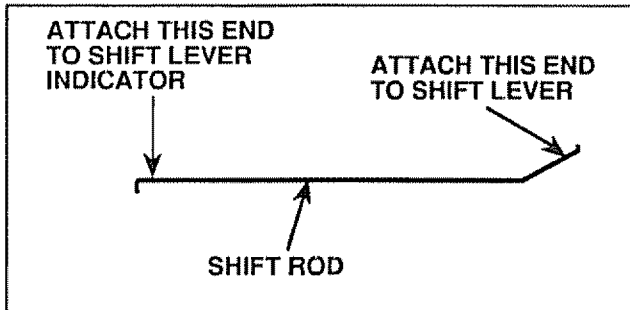


FIGURE 6

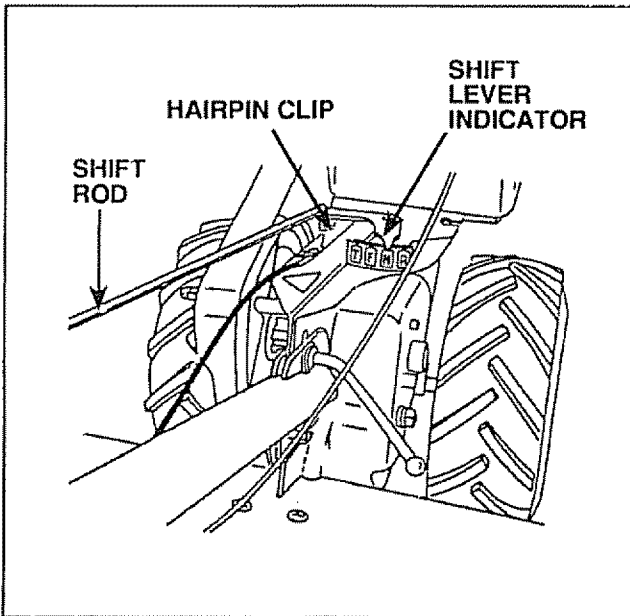


FIGURE 7

- Insert other end of Shift Rod into hole in Shift Lever (Fig. 8)
- Insert second Hairpin Clip through hole of Shift Rod.

## REMOVE TILLER FROM CRATE

- Make sure Shift Lever Indicator (Fig. 7) is in "N" position.
- Tilt Tiller forward by lifting Handle. Separate cardboard cover from leveling shield.
- Rotate Tiller Handle to the right and pull Tiller out of Carton.

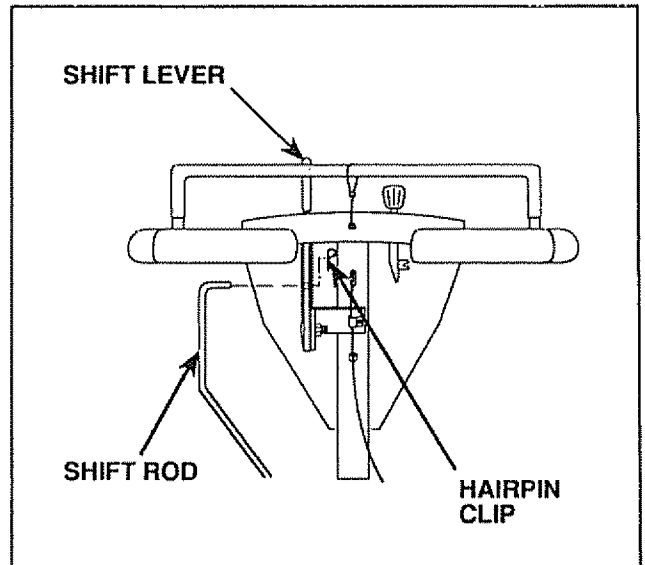


FIGURE 8

## TIRE PRESSURE

Reduce Tire pressure to 20 PSI (Tires were overinflated for shipping purposes). If Tire pressures are not equal, Tiller will pull to one side

## CABLE CLIP

Insert Plastic Cable Clip into hole on the back of Handle Column. Push Cables into Clip (Fig. 9).

## ADJUSTMENTS

Refer to Service and Adjustments Section (page 17) to adjust Handle height.

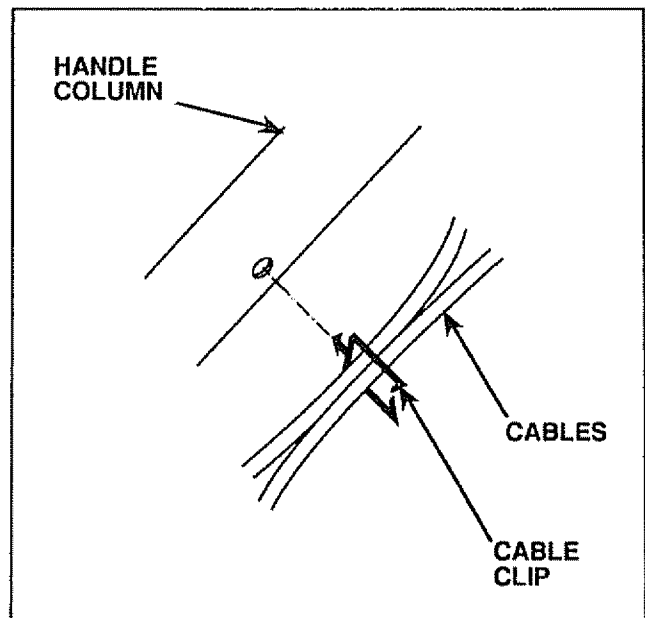


FIGURE 9



# OPERATION

## KNOW YOUR TILLER

READ THIS OWNER'S MANUAL AND SAFETY RULES BEFORE OPERATING YOUR TILLER.

Compare the illustrations with your Tiller to familiarize yourself with the location of various controls and adjustments. Save this manual for future reference.

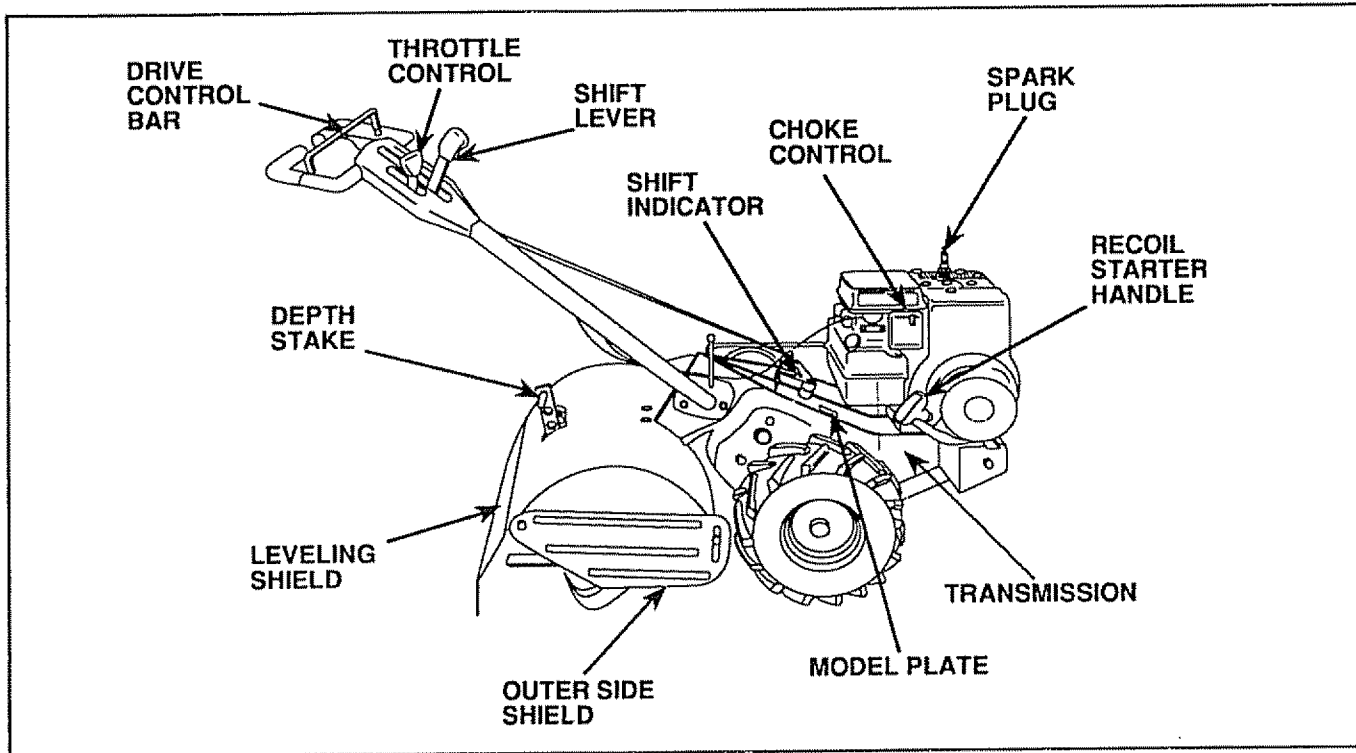


FIGURE 10

## MEETS ANSI SAFETY REQUIREMENTS

Sears Rear Tine Tillers conform to the safety standards of the American National Standards Institute (Reference ANSI/OPEI B71.8-1986 American National Standard for outdoor power equipment - walk-behind powered rotary tillers - safety specifications).

**DRIVE CONTROL BAR** - is used to engage Tiller.

**THROTTLE CONTROL** - is used to control engine speed.

**SHIFT LEVER** - is used to shift transmission into different gears.

**SHIFT LEVER INDICATOR** - shows which gear the Tiller is currently in.

**CHOKE CONTROL** - is used when starting a cold Engine.

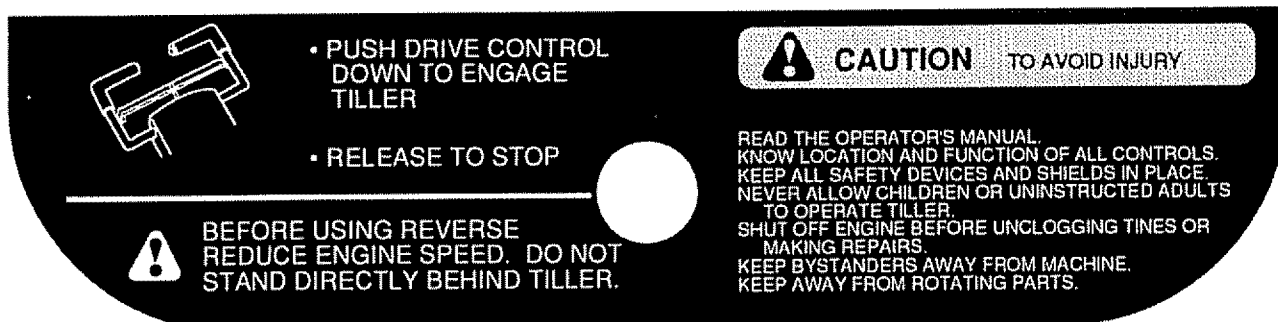
**DEPTH STAKE** - is used to set the depth at which the Tiller will dig.

**LEVELING SHIELD** - smooths tilled ground behind Tiller.

**OUTER SIDE SHIELD** - Protects small plants from being buried.

## SAFETY DECAL

The decal shown full size below is located on the handle of your Tiller.



# OPERATION



The operation of any Tiller can result in foreign objects thrown into the eyes, which can result in severe eye damage. Always wear safety glasses or eye shields before starting your Tiller and while tilling. We recommend Wide Vision Safety Mask for over the spectacles or standard safety glasses, available at Sears Retail or Catalog Stores.

## HOW TO USE YOUR TILLER

Know how to operate all controls before adding fuel and oil or attempting to start Engine. (To stop Engine place Throttle Control in "STOP" position.)

### TINE OPERATION - WITH WHEEL DRIVE

- Always release Drive Control Bar before moving Shift Lever into another position.
- Tine movement is achieved by moving Shift Lever to "T" position and engaging Drive Control Bar.

### FORWARD - WHEELS ONLY / TINES STOPPED

- Release Drive Control Bar and move Shift Lever Indicator to "F" position. Engage Drive Control Bar and Tiller will move forward.

### REVERSE - WHEELS ONLY / TINES STOPPED

- DO NOT STAND DIRECTLY BEHIND TILLER
- Release the Drive Control Bar.
- Move Throttle Control to "SLOW" position.
- Move Shift Lever Indicator to "R" position.
- Hold Drive Control Bar against the Handle (Fig. 11) to start Tiller movement.

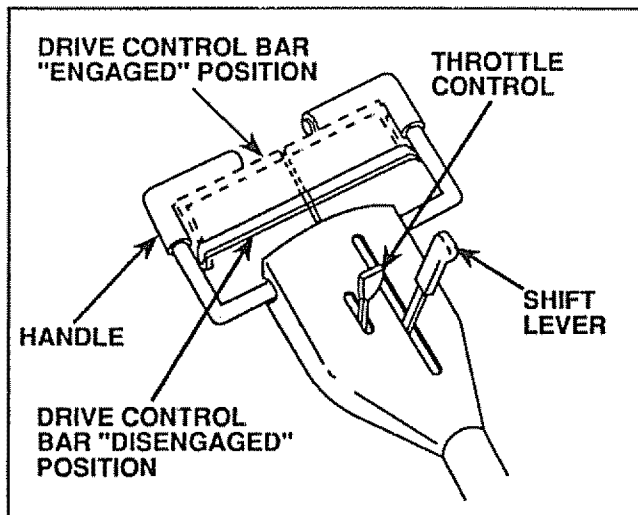


FIGURE 11

### DEPTH STAKE

The Depth Stake can be raised or lowered to allow you more versatile tilling and cultivating, or to more easily transport your tiller (Fig. 12).

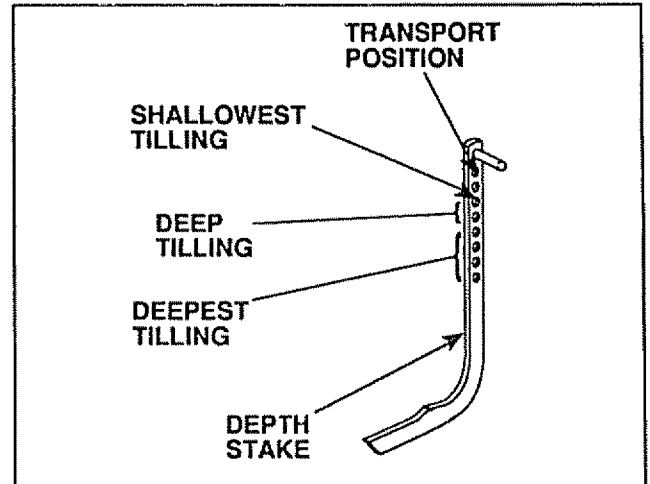


FIGURE 12

### TILLING

- Release Depth Stake Pin (Fig. 13). Pull the Depth Stake up for increased tilling depth. Place Depth Stake Pin in hole of Depth Stake to lock in position.
- Place Shift Lever Indicator in the "T" position.
- Hold the Drive Control Bar against the Handle to start tilling movement. Tines and Wheels will both turn.
- Move Throttle Control to "FAST" position for deep tilling. To cultivate, Throttle Control can be set at any desired speed, depending on how fast or slow you wish to cultivate.

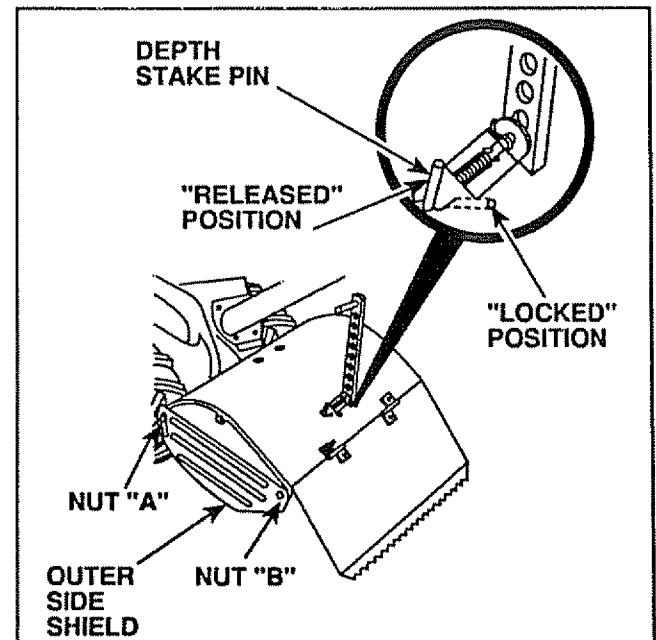


FIGURE 13

# OPERATION

## STOPPING TINES AND ENGINE

- TILLER MOVEMENT AND TINES WILL STOP WHEN DRIVE CONTROL BAR IS RELEASED.
- Move Shift Lever Indicator to "N" Neutral position.
- To stop Engine, move Throttle Control to "STOP" position.

## TURNING

- Release the Drive Control Bar.
- Move Throttle Control to "SLOW" speed.
- Place Shift Lever Indicator in the "F" Forward position. Tines will not turn.
- Lift Handle to raise Tines out of ground.
- Swing the Handle in the opposite direction you wish to turn, being careful to keep feet and legs away from Tines.
- When you have completed your turn-around, release the Drive Control Bar and lower Handle. Place Shift Lever in "T" position and move Throttle Control to desired speed. To begin tilling, hold Drive Control Bar against the Handle.

## OUTER SIDE SHIELDS

The front of the Outer Side Shields are slotted so that they can be raised for deep tilling and lowered for shallow tilling to protect small plants from being buried. Loosen Nut "A" in slot and Nut "B" (Fig. 13). Move Shield to desired position (both sides). Retighten nuts.

## TRANSPORTING

- Release the Depth Stake Pin. Move the Depth Stake down to the top hole for transporting the Tiller. Place Depth Stake Pin in hole of Depth Stake to lock in position. This prevents Tines from scuffing the ground.
- Place Shift Lever Indicator (Fig. 14) in "F" position for transporting.

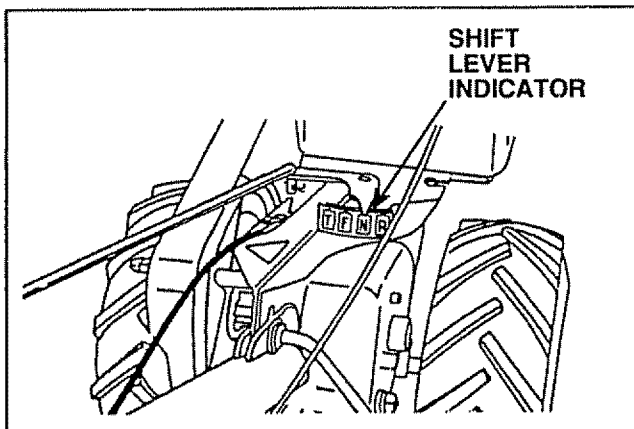


FIGURE 14

- Hold the Drive Control Bar against the Handle to start Tiller Movement. Tines will not turn.
- Move Throttle Control to desired speed before starting Engine.

**CAUTION:** PRACTICE THE ABOVE PROCEDURES SEVERAL TIMES BEFORE FILLING ENGINE WITH FUEL AND OIL.



**BEFORE OPERATING YOUR TILLER FOR THE FIRST TIME, STUDY THIS SECTION AND THE "RULES FOR SAFE OPERATION" ON PAGE 2.**

**ALWAYS RELEASE DRIVE CONTROL BAR BEFORE MOVING SHIFT LEVER INTO ANOTHER POSITION.**

**DON'T BACK YOURSELF INTO A SOLID OBSTRUCTION SUCH AS A TREE, FENCE, ETC.**

## BEFORE STARTING ENGINE

### CHECK ENGINE OIL LEVEL

**CAUTION:** BE VERY CAREFUL NOT TO ALLOW DIRT TO ENTER THE ENGINE WHEN CHECKING OR ADDING OIL OR FUEL. USE CLEAN 30 OR 10W-30 WEIGHT OIL AND STORE IN APPROVED, CLEAN, COVERED CONTAINERS. (DO NOT USE PRESSURIZED STARTING FLUID AS SEVERE INTERNAL DAMAGE MAY OCCUR DUE TO LOSS OF LUBRICATION).

- With Engine level, remove Oil Filler Plug (Fig. 15).
- Engine oil should be to point of almost overflowing. Engine oil capacity is about 1-1/4 pints (20 ounces).

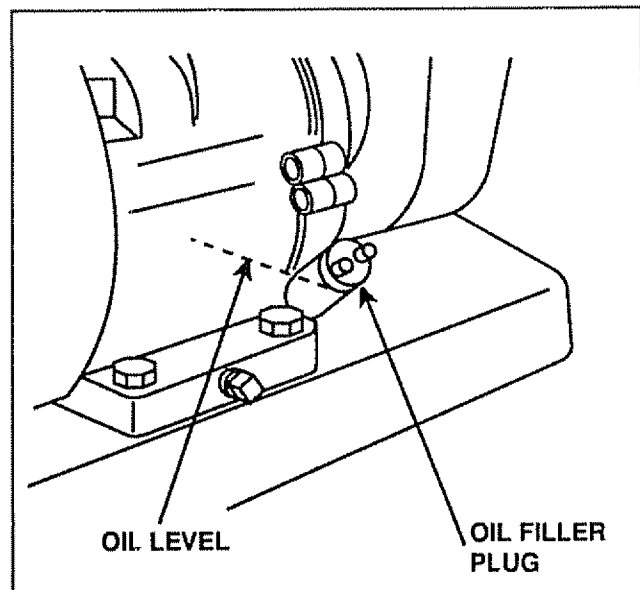


FIGURE 15

# OPERATION

## FILL FUEL TANK

- To fill Fuel Tank (Fig. 16), use fresh, clean regular unleaded automotive gasoline. Capacity is about 2 quarts.



FILL TO WITHIN 1/2 INCH OF TOP OF FUEL TANK TO PREVENT SPILLS AND TO ALLOW FOR FUEL EXPANSION. IF GASOLINE IS ACCIDENTALLY SPILLED, MOVE MACHINE AWAY FROM AREA OF SPILL. AVOID CREATING ANY SOURCE OF IGNITION UNTIL GASOLINE VAPORS HAVE DISAPPEARED.

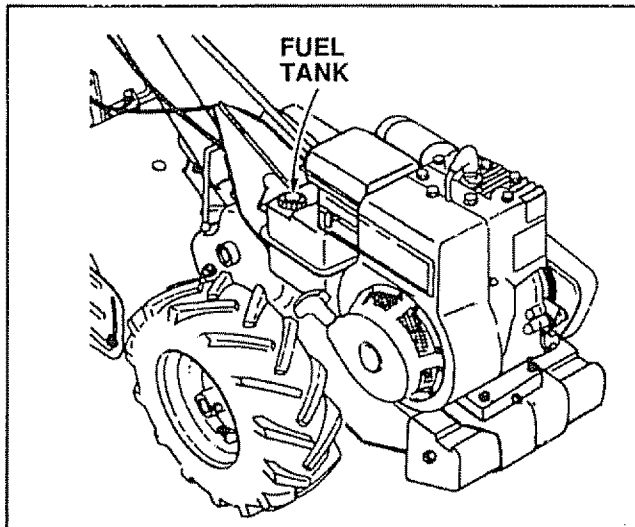


FIGURE 16

**CAUTION:** EXPERIENCE INDICATES THAT ALCOHOL BLENDED FUELS (CALLED GASOHOL OR USING ETHANOL OR METHANOL) CAN ATTRACT MOISTURE WHICH LEADS TO SEPARATION AND FORMATION OF ACIDS DURING STORAGE. ACIDIC GAS CAN DAMAGE THE FUEL SYSTEM OF AN ENGINE WHILE IN STORAGE.

TO AVOID ENGINE PROBLEMS, THE FUEL SYSTEM SHOULD BE EMPTIED BEFORE STORAGE FOR 30 DAYS OR LONGER. DRAIN THE GAS TANK, START THE ENGINE AND LET IT RUN UNTIL THE FUEL LINES AND CARBURETOR ARE EMPTY. USE FRESH FUEL NEXT SEASON. SEE STORAGE INSTRUCTIONS FOR ADDITIONAL INFORMATION.

NEVER USE ENGINE OR CARBURETOR CLEANER PRODUCTS IN THE FUEL TANK OR PERMANENT DAMAGE MAY OCCUR.

## TO START ENGINE



**KEEP THE DRIVE CONTROL BAR IN "DISENGAGED" POSITION WHEN STARTING ENGINE.**

- Make sure Spark Plug Wire is properly connected.
- Move the Shift Lever Indicator to "N" Neutral position.
- Place Throttle Control in "FAST" position.
- Place Choke Control in "CHOKE" position if the Engine is cold. A warm Engine may not require choking to start.
- Grasp Starter Handle with one hand and grasp the Tiller Handle with other hand. Pull Rope out slowly until Engine reaches start of Compression Cycle (Rope will pull slightly harder at this point).
- Pull Rope with a rapid, continuous, full arm stroke. Keep a firm grip on Starter Handle and let Rope rewind slowly. Do not let Starter Handle snap back against Starter.
- When Engine starts, place Choke Control on Engine halfway between "CHOKE" and "RUN" positions and then to "RUN" position as Engine warms up.
- Move Throttle Control halfway between "FAST" and "STOP" position for a few minutes to warm up.

**NOTE:** In order to idle smoothly, a new Engine may require 3 to 5 minutes running time above slow idle speed. Idle speed has been adjusted to be correct after this break-in period.

## TILLING/CULTIVATING TIPS

### TILLING

- Tilling is digging into, turning over, and breaking up packed soil before planting. Loose, unpacked soil helps root growth. Best tilling depth is 4" to 6". A Tiller will also clear the soil of unwanted vegetation. The decomposition of this vegetable matter enriches the soil. Depending on the climate (rainfall and wind), it may be advisable to till the soil at the end of the growing season to further condition the soil.
- Soil conditions are important for proper tilling. Tines will not readily penetrate dry, hard soil which may contribute to excessive bounce and difficult handling of your Tiller. Hard soil should be moistened before tilling; however, extremely wet soil will "ball-up" or clump during tilling. Wait until the soil is less wet in order to achieve the best results. When tilling in the fall, remove vines and long grass to prevent them from wrapping around the Tine Shaft and slowing your tilling operation.

## OPERATION

- For easier handling of your Tiller, leave about 8 inches of untilled soil between the first and second tilling passes. The third pass will be between the first and second (Fig. 17).

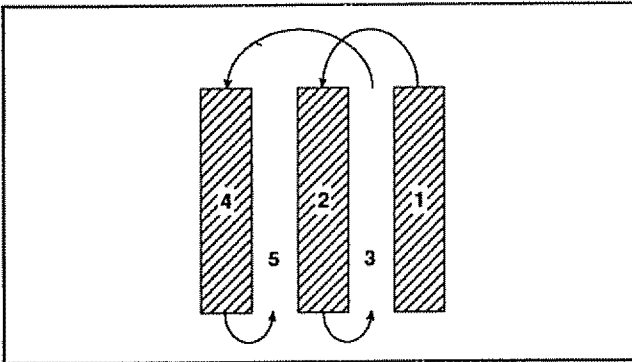


FIGURE 17

- Do not lean on the Handle. This takes weight off the Wheels and reduces traction. To get through a really tough section of sod or hard ground, apply upward pressure on Handle or lower the Depth Stake.

### CULTIVATING

Cultivating is destroying the weeds between rows to prevent them from robbing nourishment and moisture from the plants. At the same time, breaking up the upper layer of soil crust will help retain moisture in the soil. Best digging depth is 1" to 3". Lower the Outer Side Shields to protect small plants from being buried.

- Cultivate up and down the rows at a speed which will allow Tines to uproot weeds and leave the ground in rough condition, promoting no further growth of weeds and grass (Fig. 18).

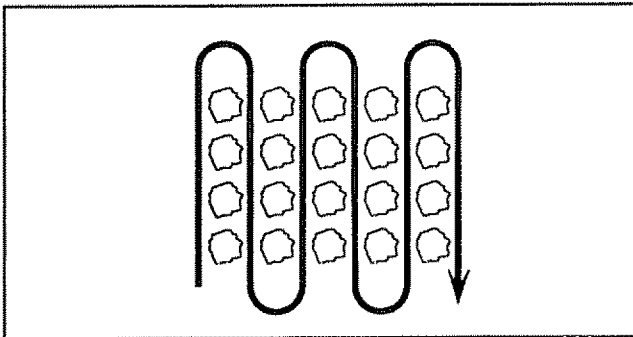


FIGURE 18

### ADJUST WHEELS FOR CULTIVATING

- Place blocks under right hand side of Tiller and remove Hairpin Clip and Retainer Pin from right hand Wheel (Fig. 19).
- Move Wheel outward and approximately 1 inch until hole in Inner Wheel Hub lines up with inner hole in Axle.

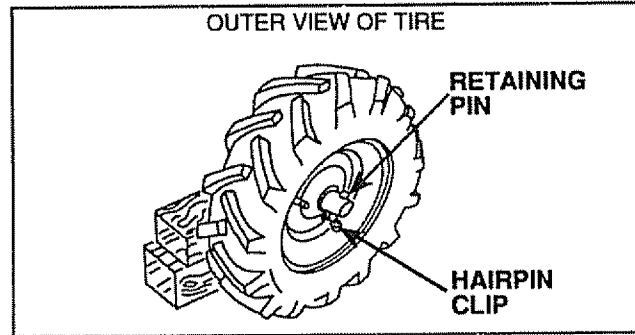


FIGURE 19

- Replace Retainer Pin and Hairpin Clip on inside of Wheel (Fig. 20) and remove blocks.
- Repeat preceding steps on left hand side.

**NOTE:** In extremely rough conditions and while cultivating, the Wheels should be moved outward on the Axle for increased stability.

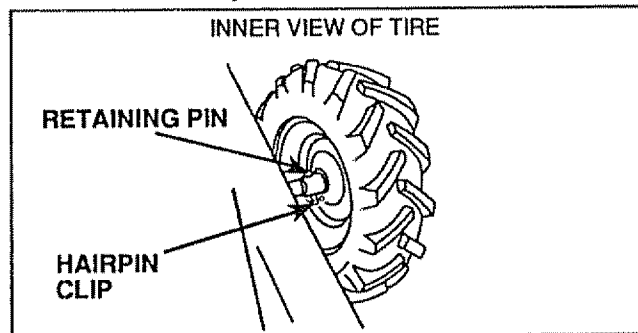


FIGURE 20

### WINTER OPERATION (UNDER 32°F)

#### ENGINE LUBRICATION

- Engine oil must be changed before the air temperature drops below 32°F. Drain the Engine oil when Tiller Engine is at operating temperature.
- By refilling the Engine with 5W30 oil you will promote easier starting.

**NOTE:** Be sure to change Engine oil back to S.A.E. 30 or 10W30 (SD, SE, or SF) for spring Tilling.

#### FUEL

Use fresh, clean, regular unleaded automotive gasoline. Capacity is about 2 quarts.

#### COLD WEATHER STARTING HINTS

- Be sure to use the proper oil and gasoline.
- Keep Drive Control Bar in "DISENGAGED" position when starting the Engine.
- Set Throttle Control at medium to fast position and use full Choke for starting. Slowly move Choke Control to "RUN" position as Engine warms up.

# MAINTENANCE



**DISCONNECT SPARK PLUG WIRE FROM SPARK PLUG BEFORE PERFORMING ANY MAINTENANCE (EXCEPT CARBURETOR ADJUSTMENT) TO PREVENT ACCIDENTAL STARTING OF ENGINE.**

**PREVENT FIRES! KEEP THE ENGINE FREE OF GRASS, LEAVES, SPILLED OIL, OR FUEL. REMOVE FUEL FROM TANK BEFORE TIPPING UNIT FOR MAINTENANCE. CLEAN MUFFLER AREA OF ALL GRASS, DIRT, AND DEBRIS.**

**DO NOT TOUCH HOT MUFFLER OR CYLINDER FINS AS CONTACT MAY CAUSE BURNS.**

## COOLING SYSTEM

Your Engine is air cooled. For proper Engine performance and long life **KEEP YOUR ENGINE CLEAN.**

- Clean Air Screen (Fig. 21) frequently using a stiff bristled brush.
- Remove Blower Housing and clean as necessary.
- Keep Cylinder Fins free of dirt and chaff.

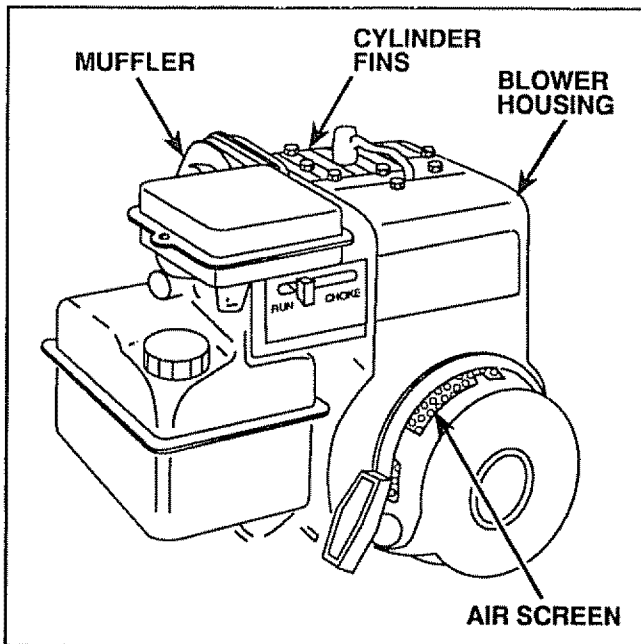


FIGURE 21

## AIR CLEANER

Replace Air Cleaner Cartridge every twenty-five hours, more often if Engine is used in very dusty conditions:

- Loosen Air Cleaner Screws, one on each side of Cover (Fig. 22).

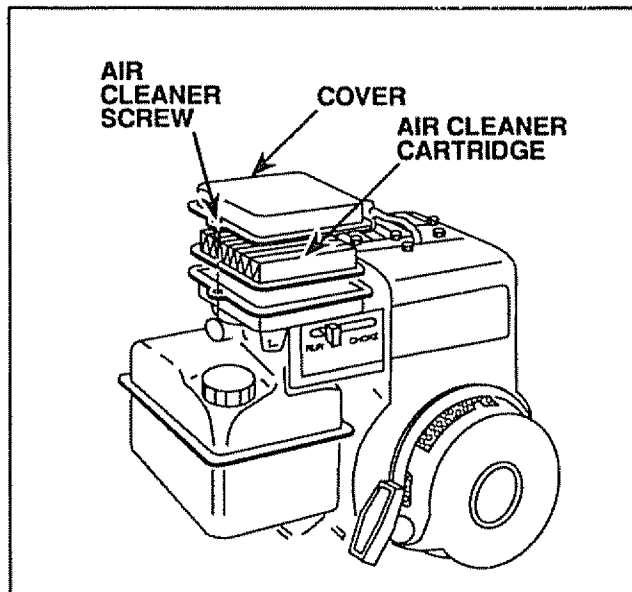


FIGURE 22

- Remove Air Cleaner Cover.
- Carefully remove Air Cleaner Cartridge. Be careful. Do not allow dirt or debris to fall into Carburetor.
- Install new Air Cleaner Cartridge. Clean and replace Cover. Tighten Screws securely.

## MUFFLER

Do not operate Tiller without Muffler (Fig. 21). Do not tamper with exhaust system. Damaged Mufflers or Spark Arresters could create a fire hazard. Inspect periodically and replace if necessary. If your Engine is equipped with a Spark Arrester Screen Assembly, remove every 50 hours for cleaning and inspection. Replace if damaged.

## SPARK PLUG

- The Spark Plug should be changed every 50 hours of operation or at the beginning of every tilling season.
- Set gap at .030". Order Spark Plug listed in the Repair Parts Section of this Manual.



**SPARKING CAN OCCUR IF SPARK PLUG WIRE TERMINAL DOES NOT FIT FIRMLY ON SPARK PLUG. REFORM TERMINAL IF NECESSARY.**

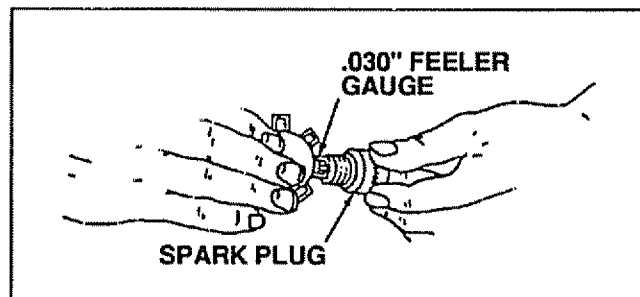


FIGURE 23

---

## MAINTENANCE

---

### ENGINE LUBRICATION

Your four cycle Engine will normally consume some oil, therefore check Engine oil level regularly—approximately every five hours of operation and before each usage. Stop Engine and wait several minutes before checking oil level. With Engine level the oil must be even with oil fill (Fig. 24). Change Engine oil after the first two hours of operation and every twenty five hours thereafter or at the beginning of every tilling season.

- Drain oil while Engine is warm.
- Remove Oil Drain Plug (Fig. 24).
- Tip Tiller forward and catch oil in a suitable container.
- When Engine is drained of all oil, replace Oil Drain Plug.
- Refill with fresh SAE 30 or SAE 10W-30 weight oil.

### TRANSMISSION

Your Transmission is sealed and will only require lubrication if serviced.

### FINISH

Keep your Tiller finish and Wheels free of gasoline, oil, etc. Protect painted surfaces with automotive type wax.

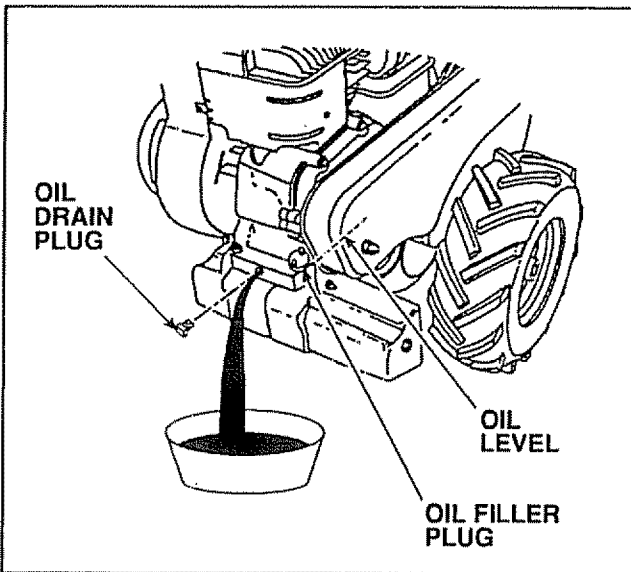


FIGURE 24

# SERVICE RECOMMENDATIONS

## LUBRICATION CHART - OIL PIVOT POINTS

USE SAE 30 OIL

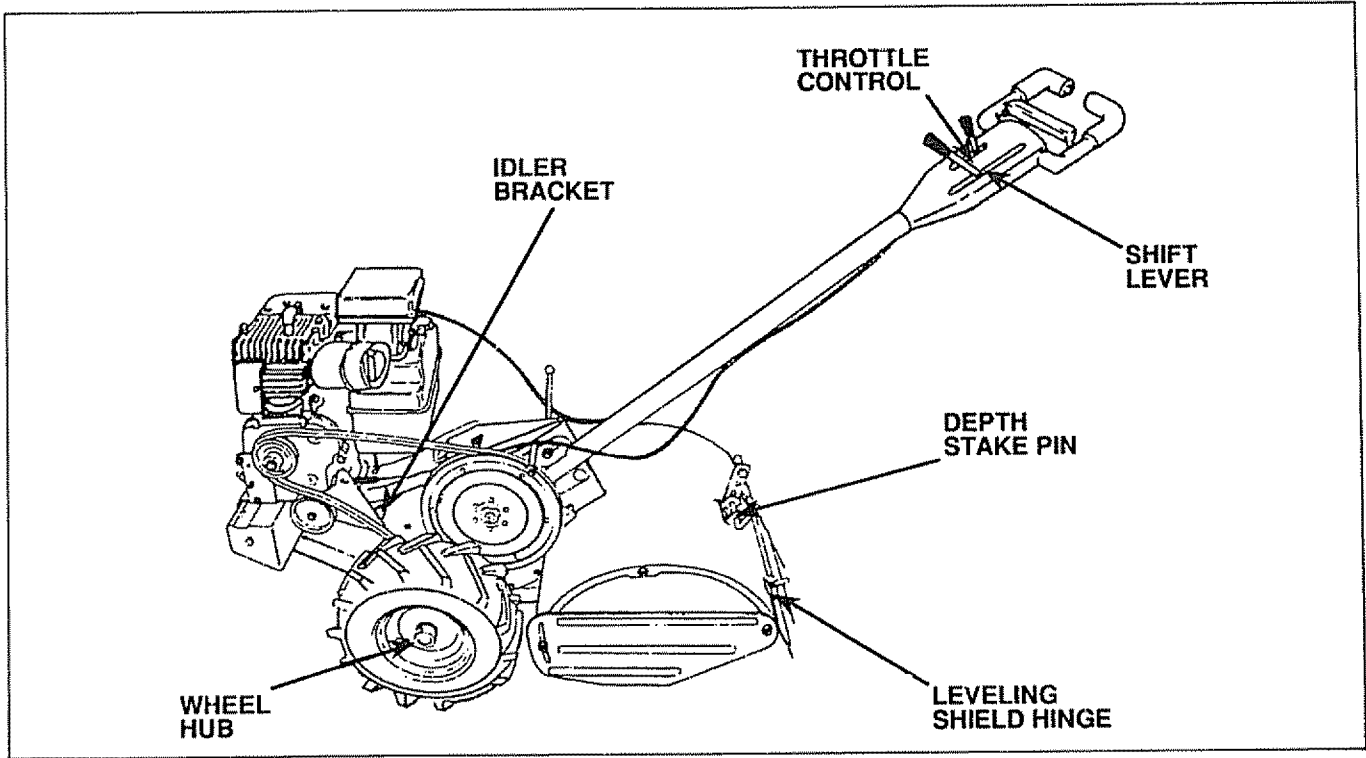


FIGURE 25

MAINTENANCE CHECK LIST	SERVICE RECORD	PAGE NUMBERS					SERVICE DATES													
		BEFORE EACH USE	1st 2 HOURS	EVERY 5 HOURS	EVERY 25 HOURS	EVERY 50 HOURS														
Check Engine Oil Level	11	✓		✓																
Change Engine Oil	15		✓		✓															
Oil Pivot points	16			✓																
Inspect Spark Arrester Muffler	14										✓									
Inspect Air Screen	14	✓																		
Clean Air Cleaner	14										✓									
Clean Engine Cylinder Fins	14										✓									
Replace Spark Plug	14																			✓



# SERVICE AND ADJUSTMENTS

## POSITION HANDLE

Select Handle height suitable for you and your tilling conditions. Handle height will change when Tiller digs into the soil.

### TO ADJUST HANDLE:

- First loosen Handle Lock Lever (Fig. 26).
- Handle can be positioned at different settings between "HIGH" and "LOW" positions.
- Retighten Handle Lock Lever securely after adjusting.

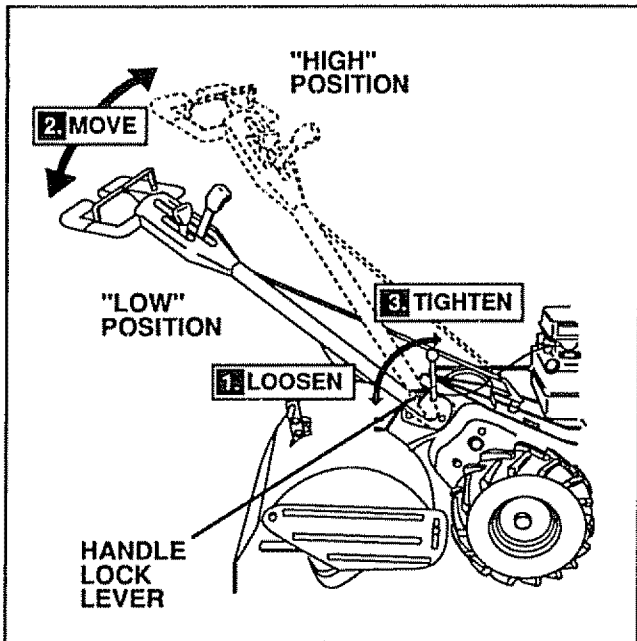


FIGURE 26

## TIRE CARE



**WHEN MOUNTING TIRES, UNLESS BEADS ARE SEATED, OVERINFLATION CAN CAUSE AN EXPLOSION.**

- Maintain 20 pounds of Tire pressure. If Tire pressures are not equal, Tiller will pull to one side.
- Keep Tires free of gasoline or oil which can damage rubber.

## WHEEL REMOVAL

To remove Wheel and Tire for repair:

- Place blocks under the Transmission to keep Tiller from tipping.
- Remove Hairpin Clip and Retaining Pin from Wheel (Fig. 27).
- Remove Wheel and Tire.
- Repair Tire and reassemble.

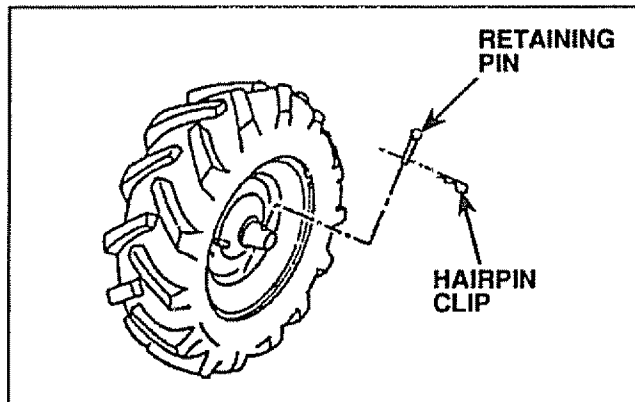


FIGURE 27

# SERVICE AND ADJUSTMENTS

## GROUND DRIVE BELT REPLACEMENT

- Remove Hairpin Clip and Retaining Pin from Hub of left hand Wheel. Pull Wheel out from Tiller about 1 inch.
- Remove Belt Guard by removing two (2) Cap Nuts, one (1) Hex Nut and three (3) Washers so that the Belt Guard can slide straight out away from the Engine (Fig. 28).

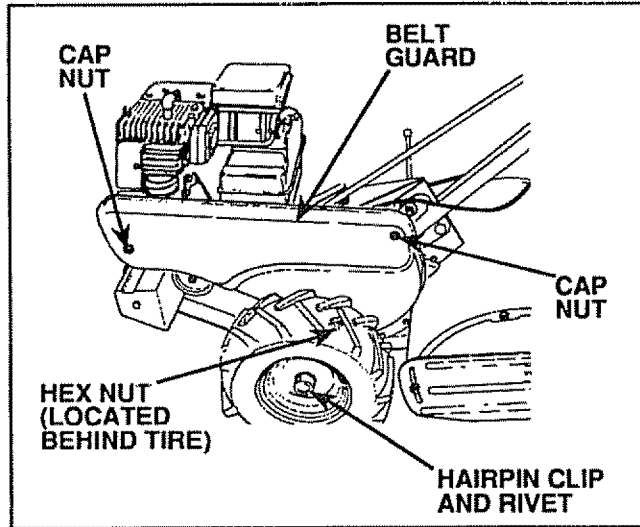


FIGURE 28

- Loosen Belt Guides "A" and "B", and also Nuts "C" and "D" (Fig. 29).
- Remove old Belt by slipping from Engine Pulley first.
- Place Belt in groove of Transmission Pulley and into groove of Engine Pulley. BELT MUST BE IN GROOVE ON TOP OF IDLER PULLEY. NOTE POSITION OF BELT TO GUIDES.
- Tighten Belt Guides "A" and "B" and Nuts "C" and "D".
- Replace Belt Guard, Washers, Cap Nuts, and Hex Nut.
- Reposition Wheel and replace Retaining Pin and Hairpin Clip.

## GROUND DRIVE BELT ADJUSTMENT

For proper belt tension, the Extension Spring should have about 5/8 inch stretch with Drive Control Bar in "ENGAGED" position. This tension can be obtained as follows:

- Loosen Cable Clip Screw securing the Drive Control Cable (Fig. 29 - INSET A).
- Slide Cable forward for less tension and rearward for more tension until about 5/8 inch stretch is obtained while the Drive Control Bar is engaged (Fig. 29 - INSET B).
- Tighten Cable Clip Screw securely.

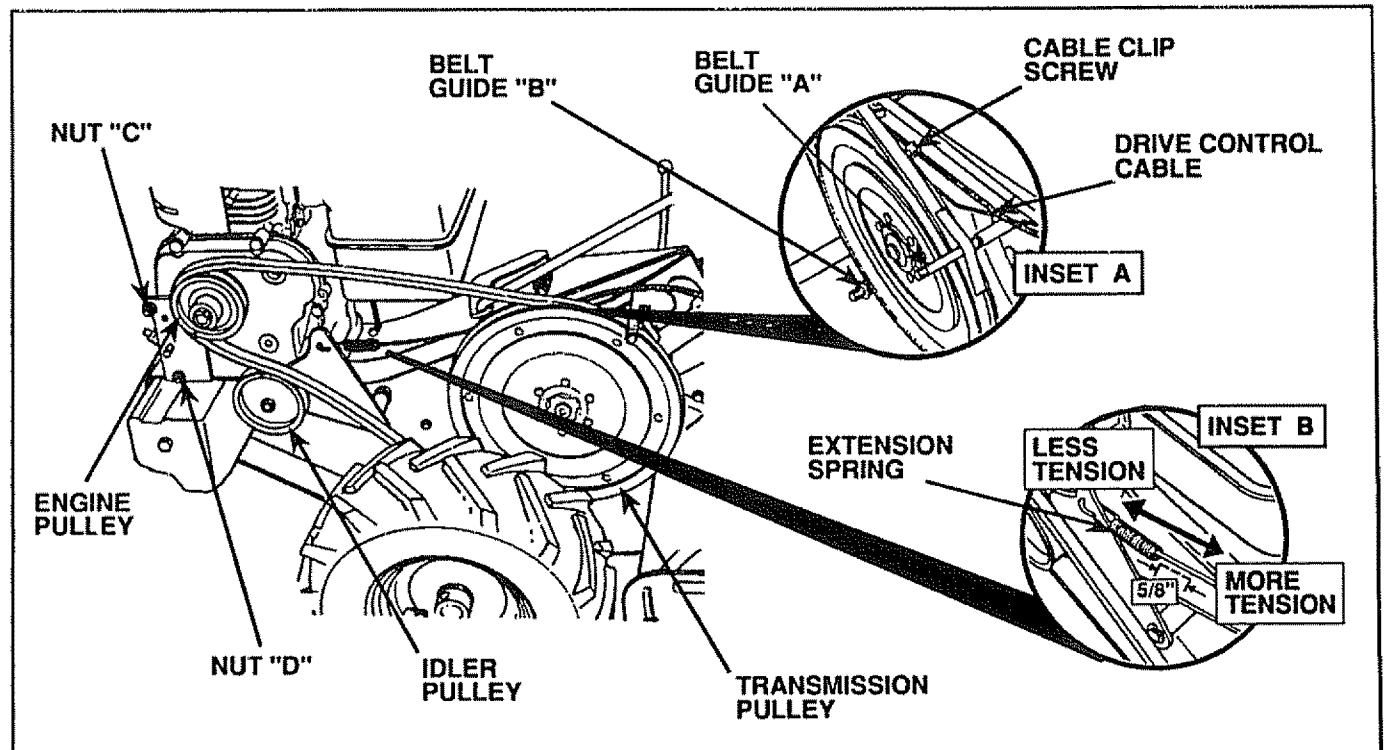


FIGURE 29

# SERVICE AND ADJUSTMENT

## TINE REPLACEMENT



**STOP THE ENGINE AND REMOVE THE SPARK PLUG WIRE FROM THE SPARK PLUG BEFORE CLEANING OUT THE TINES BY HAND. USE CAUTION : TINES ARE SHARP.**

A badly worn Tine causes your Tiller to work harder and dig more shallow. Most important, worn Tines cannot chop and shred organic matter as effectively nor bury it as deeply as good Tines. A Tine this worn needs to be replaced (Fig. 30).

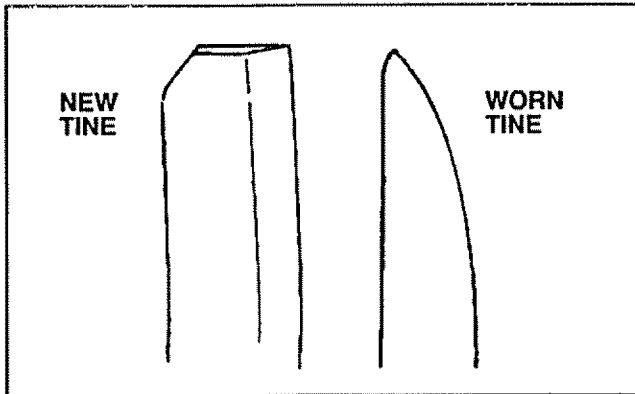


FIGURE 30

- To maintain the superb tilling performance of this machine the Tines should be checked for sharpness, wear, and bending, particularly the Tines which are next to the Transmission. If the gap between the Tines exceeds 3-1/2 inches, they should be replaced or straightened as necessary (Fig. 31).

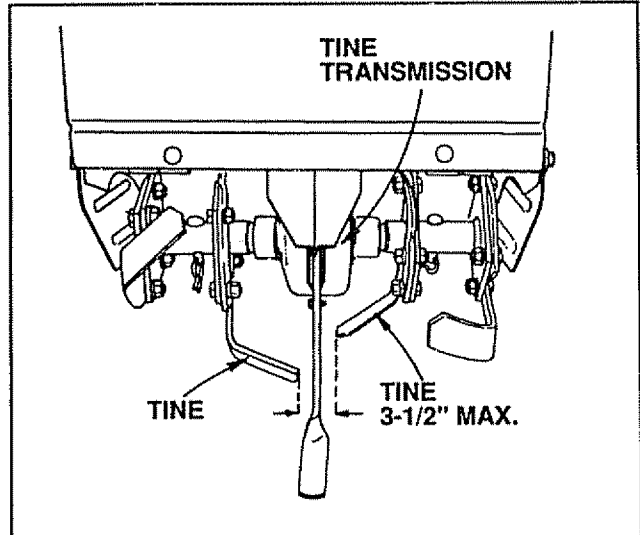


FIGURE 31

- New Tines should be assembled as shown below (Fig. 32). Sharpened Tine edges will rotate rearward from above.

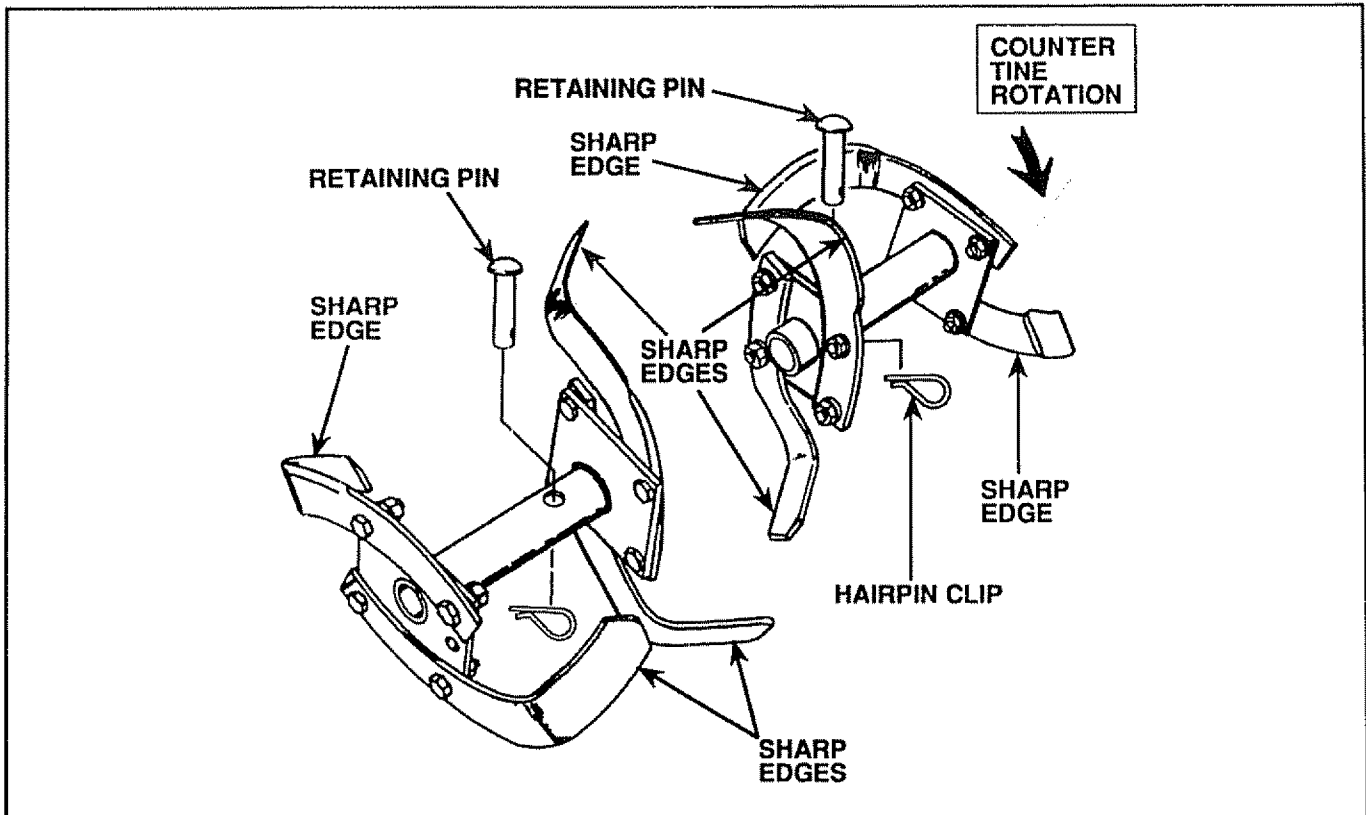


FIGURE 32

# SERVICE AND ADJUSTMENT

## CARBURETOR

**NOTE:** A dirty Air Cleaner will cause the Engine to run rough. Be sure Air Cleaner is clean before adjustments. Factory settings are satisfactory for most applications and conditions. If adjustments are needed, proceed as follows:

Never attempt to change maximum Engine speed. This is preset at the factory and should only be changed by a qualified service technician who has the necessary equipment. The Carburetor mixture may need re-adjusting if Engine lacks power or does not idle properly.

### MIXTURE ADJUSTMENT

- Turn Needle Valve (Fig. 33) clockwise (↻) until it just closes. Valve may be damaged by turning Needle Valve in too far.
- Open Needle Valve 1-1/2 turns counterclockwise (↺). This initial adjustment will permit the Engine to be started and warmed up prior to final adjustment.
- Start the Engine. Allow Engine to warm up for about 5 minutes before proceeding.
- Place Throttle Control in "IDLE" position.
- Turn Needle Valve in until Engine slows (clockwise (↻) lean mixture).

- Next turn Needle Valve out past smooth operating point until Engine runs unevenly (counterclockwise (↺) rich mixture).

- Now turn Needle Valve to the midpoint between rich and lean so the Engine runs smoothly.

### IDLE RPM ADJUSTMENT

- To adjust Idle RPM, Rotate Throttle Linkage counterclockwise (↺) and hold against stop while adjusting Idle Speed Adjusting Screw to obtain 1750 RPM. Release Throttle Linkage.

### CHECKING ADJUSTMENT

- Test the Engine by tilting. If Engine dies out, it usually indicates that the mixture is slightly lean and it may be necessary to turn the Needle Valve counterclockwise (↺) slightly to provide a richer mixture. This richer mixture may cause a slight unevenness in idling.

### THROTTLE CONTROL CABLE ADJUSTMENT

**CAUTION:** NEVER TAMPER WITH THE ENGINE GOVERNOR, WHICH IS FACTORY SET FOR PROPER ENGINE SPEED.

- Loosen Throttle Cable Adjusting Screw.
- With Throttle Control in "FAST" position and Cable connected to Bellcrank, pull Cable backward through Screw until Bellcrank is as far rearward as it will go.
- Tighten Adjusting Screw.

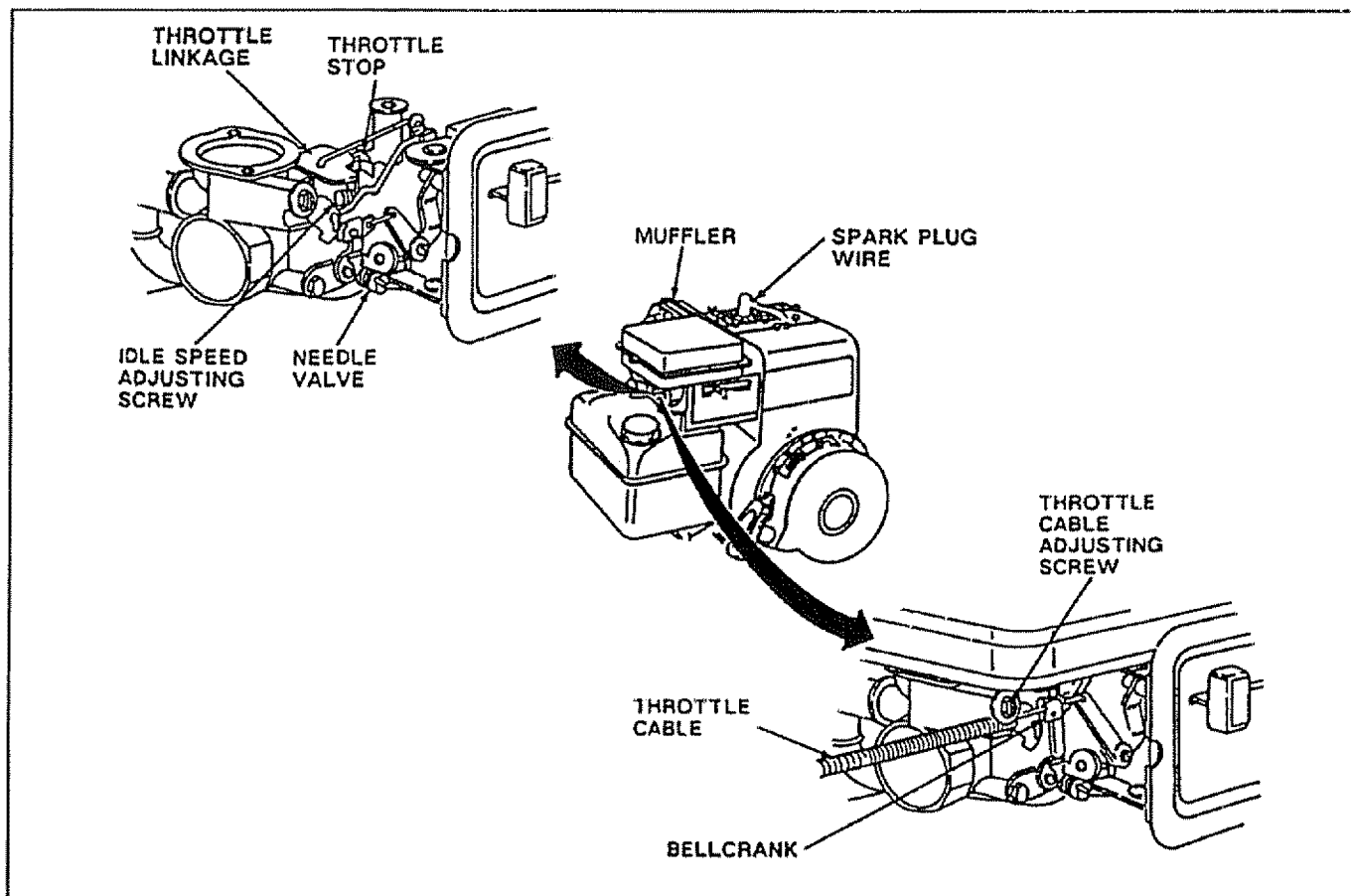


FIGURE 33

# STORAGE

## STORAGE

Keep your Tiller in a weatherproof, dry building. To avoid Engine problems, the fuel system should be emptied before storage of 30 days or longer.

- Drain Fuel Tank; run Engine until gasoline in Carburetor is used.
- While Engine is still warm, drain oil from Engine. Refill with fresh oil.
- Remove Spark Plug; pour one half ounce of clean engine oil into cylinder. Pull Starter Handle slowly several times to distribute oil. Replace Spark Plug.
- Clean entire Tiller, especially Cylinder Fins, Blower Housing and Air Screen. Tighten all bolts and nuts.

Gasoline stored for several months will lose its volatility (ability to burn effectively); therefore, always use up gaso-

line at the end of the season. Do not store, spill, or use gasoline near an open flame or devices such as a stove, furnace, or water heater which utilize a pilot light or devices that can create a spark.

**CAUTION:** IT IS IMPORTANT TO PREVENT GUM DEPOSITS FROM FORMING IN ESSENTIAL FUEL SYSTEM PARTS SUCH AS THE CARBURETOR, FUEL FILTER, FUEL HOSE, OR TANK DURING STORAGE. ALSO, EXPERIENCE INDICATES THAT ALCOHOL BLENDED FUELS (CALLED GASOHOL OR USING ETHANOL OR METHANOL) CAN ATTRACT MOISTURE WHICH LEADS TO SEPARATION AND FORMATION OF ACIDS DURING STORAGE. ACIDIC GAS CAN DAMAGE THE FUEL SYSTEM OF AN ENGINE WHILE IN STORAGE.

# TROUBLE SHOOTING

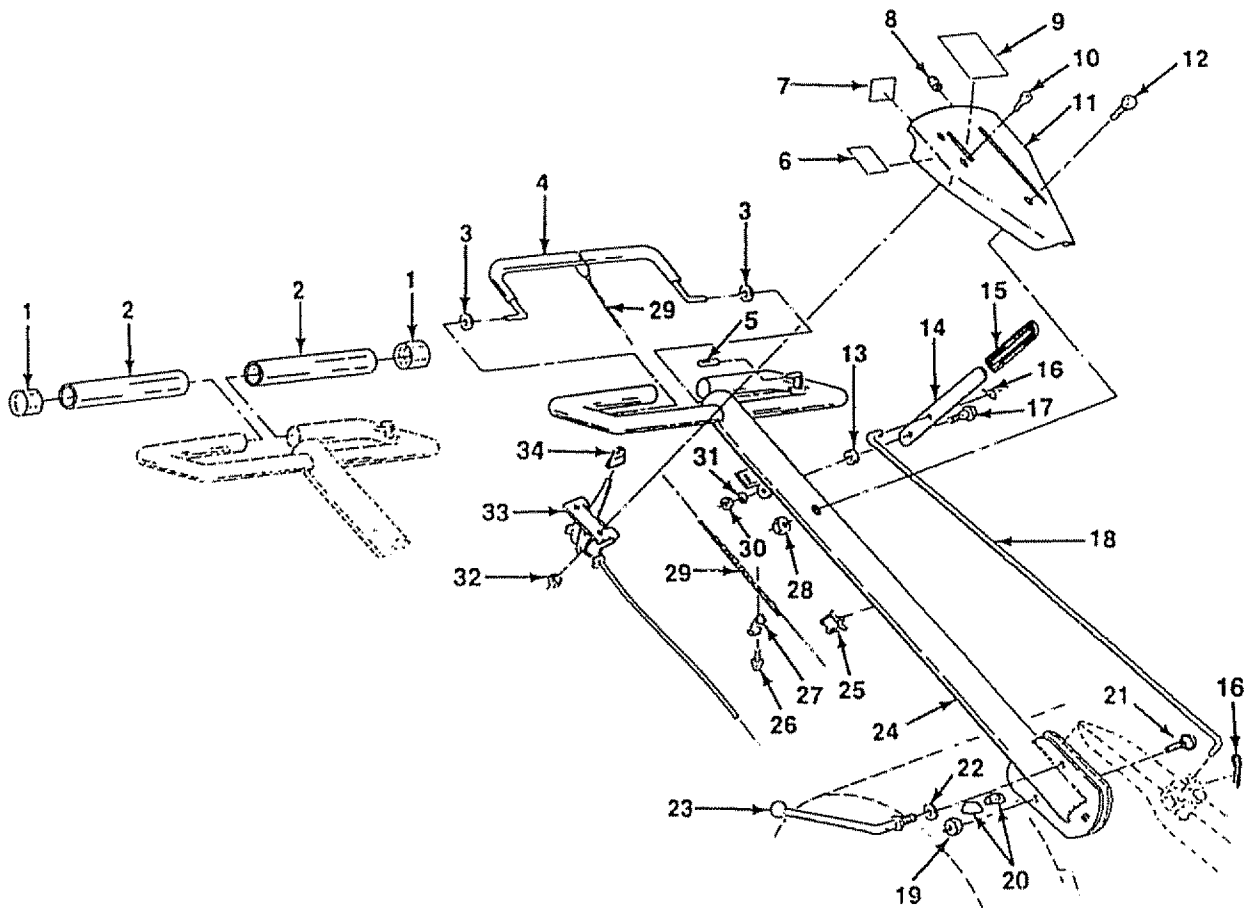
<b>PROBLEM:</b>	
Probable Cause	Possible Remedy
<b>WILL NOT START OR HARD TO START:</b>	
No gasoline in Fuel Tank	Fill Tank with gasoline
Throttle Control not set properly	Place Throttle Control in "FAST" position
Choked improperly, flooded Engine	Move Choke Control to "RUN" position or place Throttle Control in "FAST" position and pull Starter several times to clear out gas
Clogged Fuel Tank	Remove and clean
Dirty Air Cleaner Cartridge	Remove and clean or replace
Spark Plug Dirty or improper gap	Clean, adjust gap or replace
Water in gasoline or old fuel	Drain Fuel Tank and Carburetor, use fresh fuel and replace Spark Plug
Improper Carburetor adjustment	Make necessary adjustments
<b>ENGINE MISSES OR LACKS POWER:</b>	
Engine overloaded	Set Depth Stake for shallower tilling
Clogged Fuel Tank	Remove and clean
Partially plugged Air Cleaner	Remove and clean or replace
Improper Carburetor adjustment	Make necessary adjustments
Dirty Air Screen	Clean Air Screen
Spark Plug dirty, improper gap, or wrong type	Replace Spark Plug and adjust gap
Poor compression	Major Engine Overhaul
Oil in gasoline	Drain and refill Gas Tank and Carburetor
<b>ENGINE OVERHEATS:</b>	
Dirty Air Screen	Clean Air Screen
Low oil level or dirty oil	Add or change oil
Dirty Engine	Clean Cylinder Fins, Air Screen, and Muffler area
Partially Plugged Muffler	Remove and clean Muffler
Improper Carburetor adjustment	Make necessary adjustments
<b>SOIL BALLS UP OR CLUMPS:</b>	
Ground too wet	Wait for more favorable soil conditions

# SERVICE NOTES

# REPAIR PARTS

## 4 H.P. CRAFTSMAN TILLER - MODEL NUMBER 917.299642

### HANDLE ASSEMBLY



KEY PART NO.	PART NO.	DESCRIPTION
1	110707X	Cap, Sleeve
2	110674X	Grip, Handle
3	110673X	Grommet, Handle
4	110672X	Bar, Drive Control Assembly
5	6712J	Cap, Vinyl
6	120431X	Decal, Hand Placement
7	121859X	Decal, Caution - Clutch
8	110641X	Bushing, Split
9	110718X	Decal, Control Panel
10	STD511005*	Screw, Mach. Pan Head. C.R. #10-24 x 1/2
11	110548X	Panel, Control
12	STD533125*	Bolt, Carr 5/16 - 18 UNC x 2-3/8 Gr5.
13	109313X	Grommet, Rubber
14	110741X	Handle, Shift
15	110646X	Handle, Grip
16	STD624003*	Clip, Hairpin
17	81328	Bolt, Shoulder
18	110702X	Rod, Shift

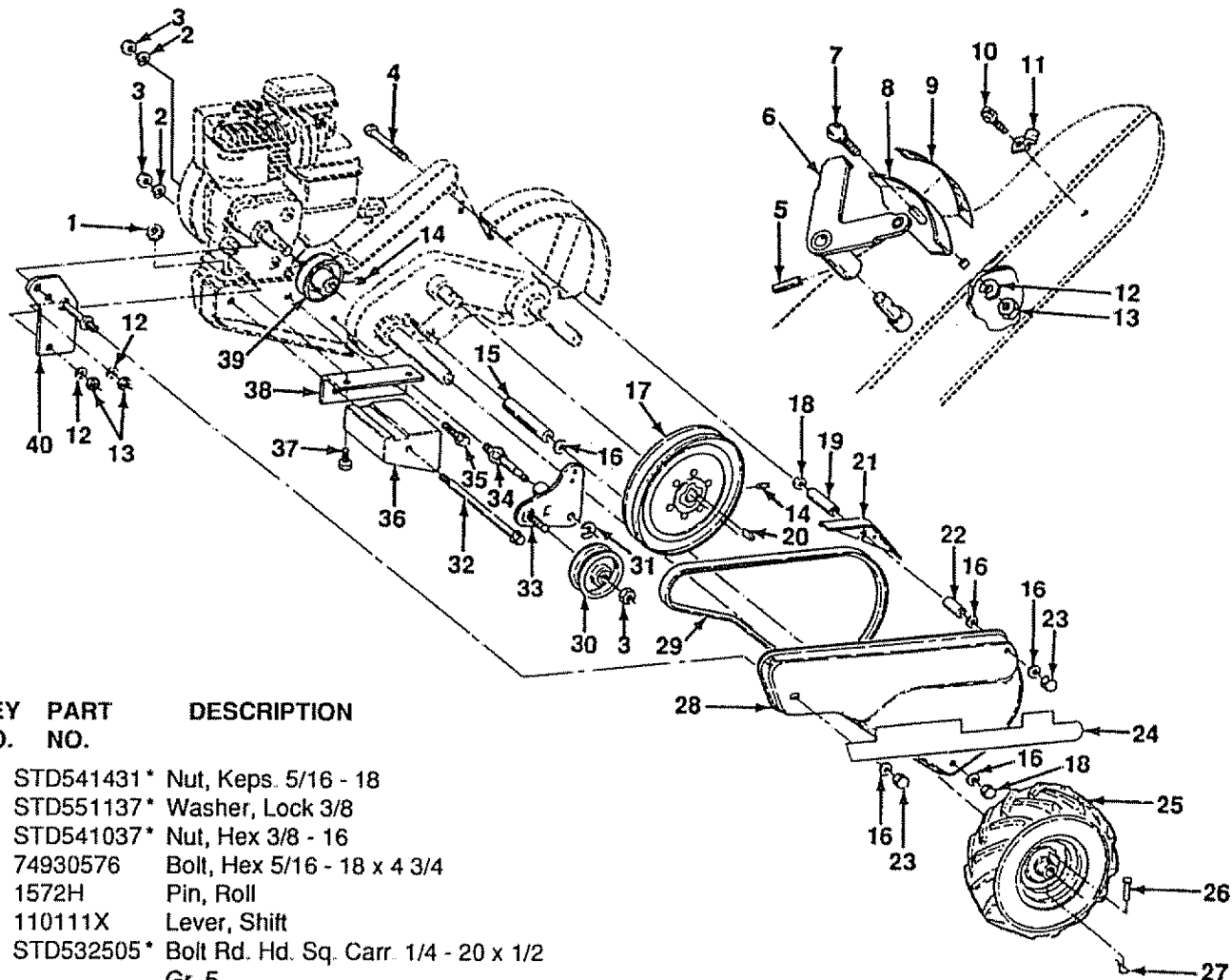
KEY PART NO.	PART NO.	DESCRIPTION
19	STD541437*	Nut, Centerlock - 3/8 - 16
20	109229X	Lock, Handle
21	STD533710*	Bolt, Rd. Hd Sq. Neck Carr. 3/8 - 16 x 1 Gr 5.
22	19131611	Washer, 13/32 x 1 x 11 Ga.
23	109228X	Lever, Lock - Handle
24	121213X	Handle, Assemble
25	121145X	Clip, Plastic Cable
26	86777	Screw, Hex Washer Hd Slit. #10-24 x 1/2
27	9484R	Clip
28	73970500	Nut, Lock Hex. Flange
29	110675X	Clutch, Cable
30	STD541025*	Nut, Hex 1/4-20
31	STD551125*	Washer, Lock 1/4
32	STD541462*	Nut, Keps. #10-24
33	110670X	Throttle, Control
34	110680X	Knob, Control
--	124340XOE	Owners, Manual

\* STANDARD HARDWARE--PURCHASE LOCALLY

# REPAIR PARTS

## 4 H.P. CRAFTSMAN TILLER - MODEL NUMBER 917.299642

### MAINFRAME, LEFT SIDE



KEY PART NO.	PART NO.	DESCRIPTION
1	STD541431*	Nut, Keps. 5/16 - 18
2	STD551137*	Washer, Lock 3/8
3	STD541037*	Nut, Hex 3/8 - 16
4	74930576	Bolt, Hex 5/16 - 18 x 4 3/4
5	1572H	Pin, Roll
6	110111X	Lever, Shift
7	STD532505*	Bolt Rd. Hd. Sq. Carr. 1/4 - 20 x 1/2 Gr. 5
8	8700J	Panel, Shift Indicator
9	102180X	Decal, Shift Indicator
10	86777	Screw, Hex - Washer Head, slotted #10 - 24 x 1/2
11	9484R	Clip
12	STD551125*	Washer, Lock 1/4
13	STD541025*	Nut, Hex 1/4 - 20
14	STD503103*	Screw, Set Hex. 5/16 - 18 x 3/8
15	120938X	Spacer, Split 0.327 x 0.42 x 2.68
16	STD551031*	Washer, 11/32 x 11/16 x 16 Ga.
17	100473M	Sheave, Transmission
18	STD541031*	Nut, Hex 5/16 - 18
19	110651X	Spacer, Split 0.327 x 0.42 x 1.75
20	2649M	Key, Square 3/16 x 1-1/8
21	110653X	Guard, Pinch Point
22	110652X	Spacer, Split 0.327 x 0.42 x 2.09
23	104214X	Nut, Cap 5/16 - 18
24	110804X	Decal, Belt Guard
25	102190X	Tire
	109208X	Rim
	795R	Tire Valve

KEY PART NO.	PART NO.	DESCRIPTION
26	126875X	Rivet, Drilled
27	STD624003*	Clip, Hairpin
28	102148X361	Guard, Belt
29	102143X	Belt, V
30	104679X	Pulley, Idler
31	12000032	Ring, Klip
32	102384X	Bolt, Hex 5/16 - 16 x 12
33	105611X	Bracket, Idler
34	102141X	Shaft, Idler Arm
35	STD523710*	Bolt, Hex 3/8 - 16 x 1
36	102383X	Counterweight, L. H.
37	74760524	Bolt, Hex 5/16 - 18 x 1 1/2
38	102331X	Bracket, Reinforcement, L. H.
39	102142X	Sheave, Engine
40	102376X	Bracket, Guard Belt

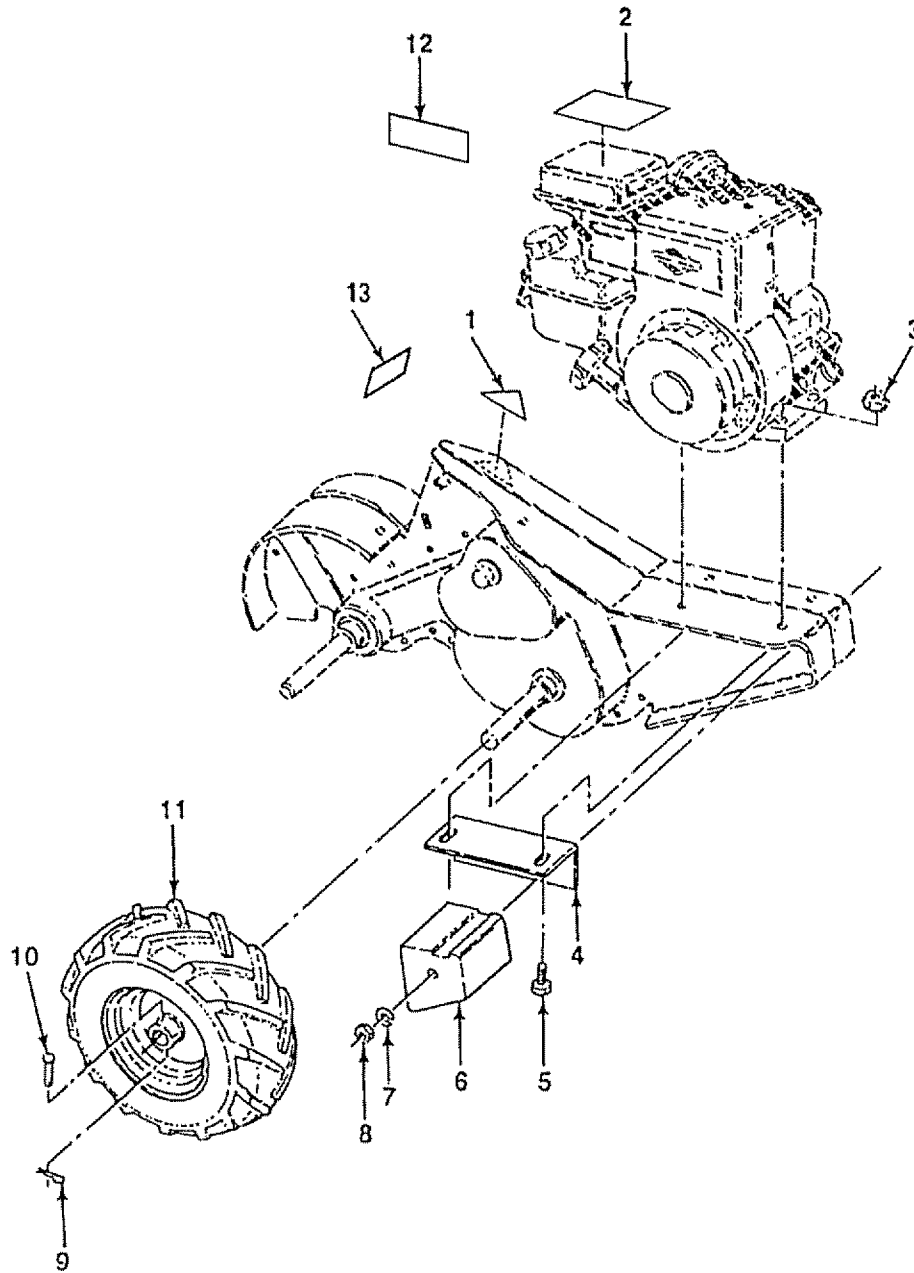
\* STANDARD HARDWARE--PURCHASE LOCALLY



# REPAIR PARTS

4 H.P. CRAFTSMAN TILLER - MODEL NUMBER 917.299642

MAINFRAME, RIGHT SIDE



KEY PART NO.	NO.	DESCRIPTION
1	---	Decal, O.P.E.I.
2	STD541431*	Decal, Operations and Lubrication
3	73510500	Nut, Keps 5/16 - 18
4	102332X	Bracket Reinforcement
5	74760524	Bolt, Hex 5/16 - 18 x 1-1/2
6	102173X	Counter Weight, R.H.
7	STD551137*	Washer, Lock 3/8

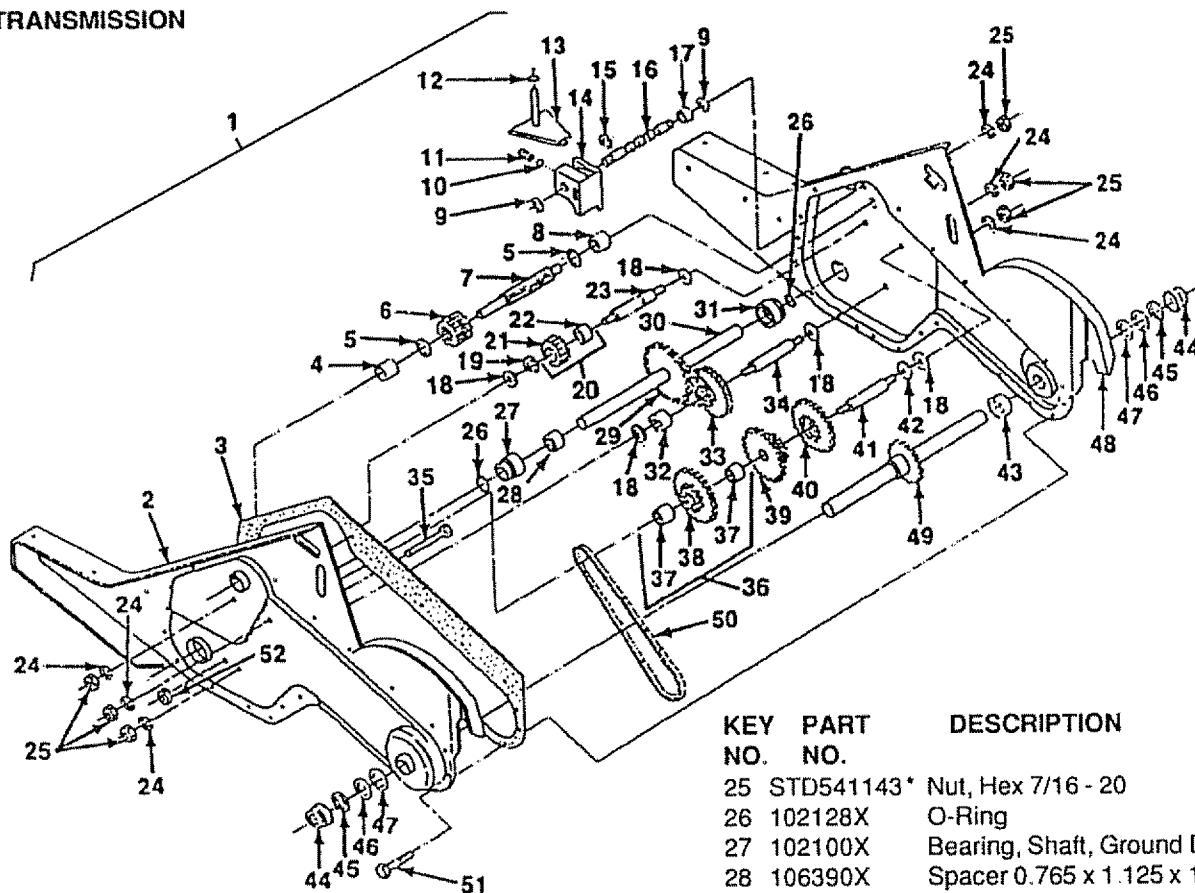
KEY PART NO.	NO.	DESCRIPTION
8	STD541037*	Nut Hex 3/8 - 16
9	STD624003*	Clip, Hairpin
10	102841X	Rivet, Drilled
11	102190X	Tire
	109208X	Rim
	795R	Tire Valve
12	123080X	Decal, Engine
13	750211	Decal, U.S.A.

\* STANDARD HARDWARE--PURCHASE LOCALLY

# REPAIR PARTS

## 4 H.P. CRAFTSMAN TILLER - MODEL NUMBER 917.299642

### TRANSMISSION



KEY PART NO.	PART NO.	DESCRIPTION
1	121146X	Transmission Assembly (Inc key 2-52)
2	121147X	Gearcase, L.H. w/Bearing (Inc. key 4)
3	106211X	Gasket, Gearcase
4	5020J	Bearing, Needle
5	1370H	Washer, Thrust 5/8 x 1 10 x 1/32
6	102113X	Pinion, Input
7	102110X	Shaft, Input
8	4895H	Bearing, Needle
9	102136X	Washer, Seal
10	7392M	Ball, Steel
11	100371K	Spring, Shift, Fork
12	106160X	O-Ring
13	102107X	Arm, Shift
14	8353J	Fork, Shift
15	12000039	Ring, Klip
16	102109X	Shaft, Shift
17	104159X	Spacer, Split
18	4358J	Washer
19	12000040	Ring, Klip
20	102114X	Gear, Assembly, Reverse Idler (Inc. key 21 & 22)
21	102115X	Gear, Reverse Idler
22	6803J	Bearing, Needle
23	102111X	Shaft, Reverse Idler
24	STD551143*	Washer, Lock 7/16

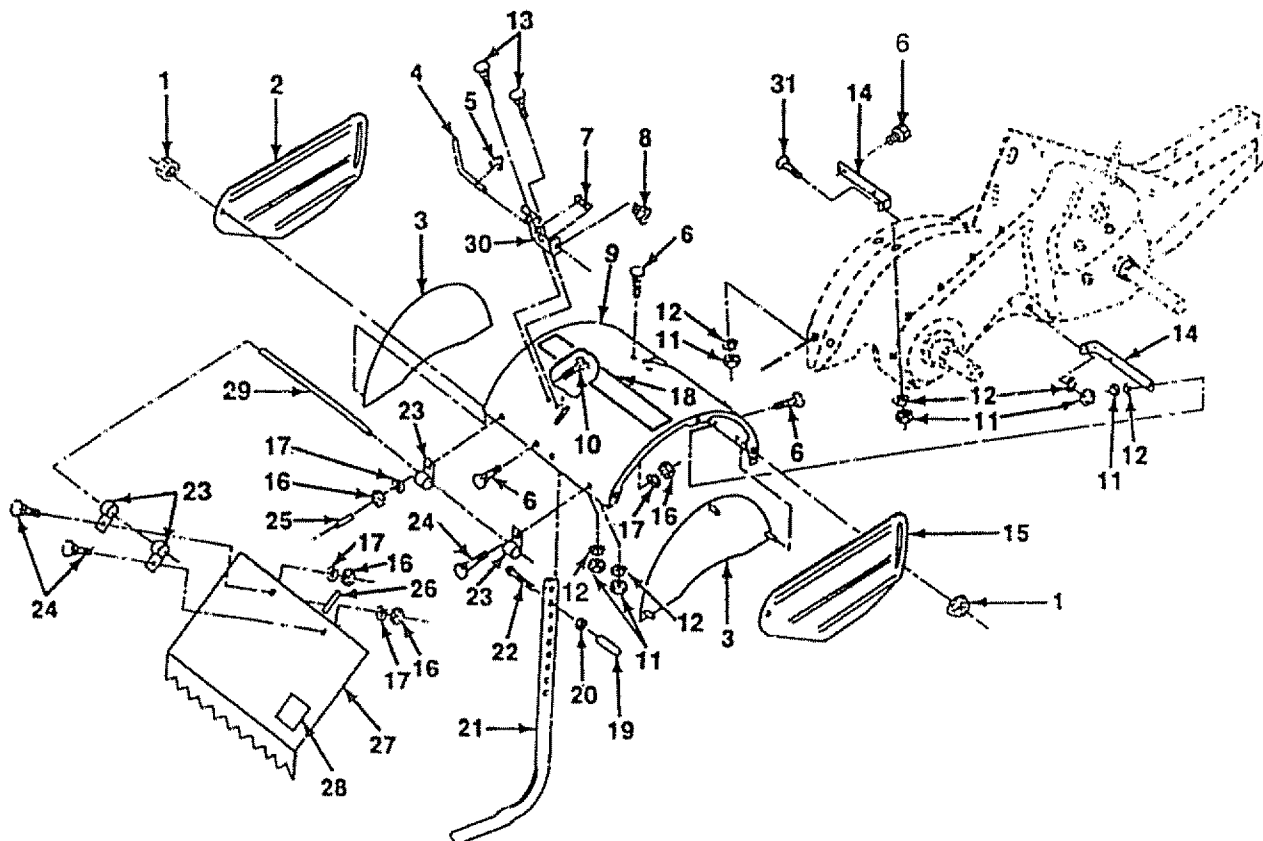
KEY PART NO.	PART NO.	DESCRIPTION
25	STD541143*	Nut, Hex 7/16 - 20
26	102128X	O-Ring
27	102100X	Bearing, Shaft, Ground Drive
28	106390X	Spacer 0.765 x 1.125 x 1.23
29	102134X	Chain #35-50 Pitch
30	109204X	Ground Shaft Assembly
31	102106X	Bearing, Shaft, Ground Drive
32	106388X	Spacer 0.70 x 1.00 x 1.150
33	102121X	Sprocket and Gear Assembly
34	102112X	Shaft, Reduction (2nd)
35	102101X	Screw, Whiz, Lock 5/16 - 18 x 3/12
36	106141X	Sprocket Assembly w/Bearing (Inc. key 37 & 38)
37	4422J	Bearing, Needle
38	106142X	Sprocket, Tine
39	105345X	Gear, Cluster, Red 1st & 2nd
40	105346X	Gear, Reverse
41	8358J	Shaft, Reduction (1st)
42	4220R	Washer, Thrust
43	106146X	Spacer 1.01 x 1.75 x 0.760
44	9672R	Cup, Formed
45	102144X	Ring, Spiral
46	9676R	Seal, Ring, Rubber
47	9674R	Seal, Oil
48	121745X	Gearcase, R.H. w/Bearing (Inc key 8)
49	106144X	Shaft, Tine
50	106147X	Chain, Roller #50-50 Pitch
51	17580408	Screw 1/4 - 20 x 1/2
52	STD541031*	Nut, Hex. 5/16 - 18
53	6066J	Grease, Plastilube #1

\* STANDARD HARDWARE--PURCHASE LOCALLY

# REPAIR PARTS

4 H.P. CRAFTSMAN TILLER - MODEL NUMBER 917.299642

## TINE SHIELD



KEY PART NO.	NO.	DESCRIPTION
--------------	-----	-------------

1	98000129	Nut, Flange 5/16 - 18
2	104086X361	Shield, Side outer L. H.
3	104085X361	Shield Side
4	8393J	Pin, Stake Depth
5	12000036	Ring, Klip
6	STD533107*	Bolt, Carriage 5/16 - 18 x 3/4 Gr 5
7	8394J	Spring
8	109230X	Spring, Depth Stake
9	102152X361	Shield, Tine
10	STD532512*	Bolt, Carriage 1/4 - 20 x 1 - 1/4 Gr. 5
11	STD541031*	Nut, Hex 5/16 - 18
12	STD551131*	Washer, Lock 5/16
13	72110508	* Bolt, Carriage 5/16 - 18 x 1
14	124343X	Bracket, Shield Tine
15	104101X361	Shield, Side Outer R.H.
16	STD541025*	Nut Hex 1/4 - 20

KEY PART NO.	NO.	DESCRIPTION
--------------	-----	-------------

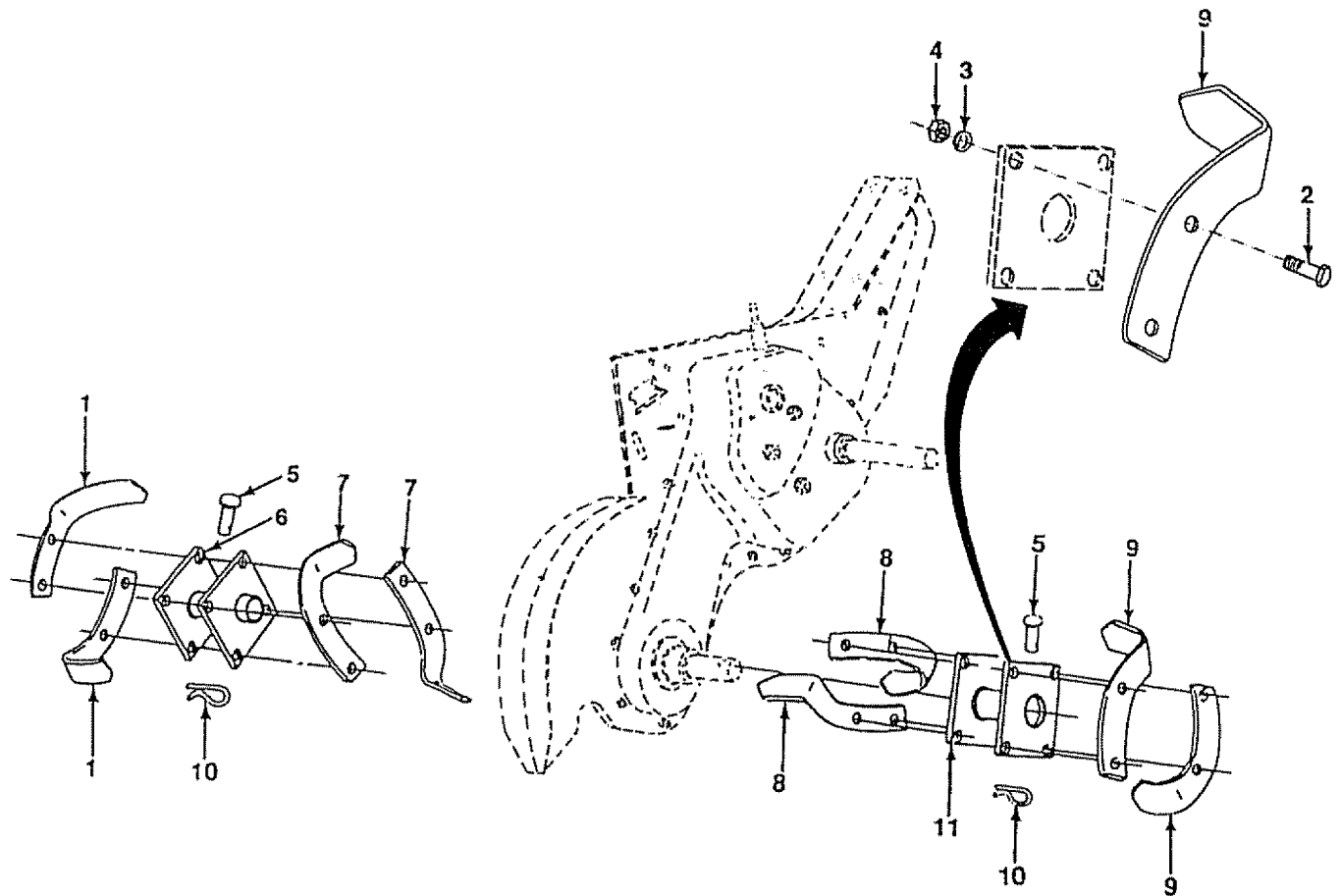
17	STD551125*	Washer, Lock 1/4
18	110805X	Decal, Tine Shield
19	102701X	Grip
20	STD541037	Nut, Hex 3/8 - 16
21	102156X	Stake, Depth
22	74930632	Bolt, Hex 3/8 - 16 x 2
23	4440J	Hinge
24	STD532505*	Bolt, Carriage 1/4 - 20 x 1/2 Gr. 5
25	6712J	Cap, Vinyl
26	109227X	Pad, Idler
27	102686X361	Shield, Leveling
28	120075X	Decal, Warning
29	120588X	Pin, Hinge
30	8392J	Bracket, Latch
31	72110510	Bolt, Carriage 5/16 - 18 UNC x 1 1/4 Gr 5

\* STANDARD HARDWARE--PURCHASE LOCALLY

# REPAIR PARTS

4 H.P. CRAFTSMAN TILLER - MODEL NUMBER 917.299642

## TINES



KEY PART NO.	NO.	DESCRIPTION
1	4459J	Tine L. H. Outer
2	74610616	Bolt, Hex 3/8 - 24 x 1
3	STD551137*	Washer, Lock 3/8
4	73610600	Nut, Hex 3/8 - 24
5	4929H	Retaining Pin
6	102170X	Hub, Assembly L. H.

KEY PART NO.	NO.	DESCRIPTION
7	6554J	Tine L. H. Inner
8	6555J	Tine, R. H. Inner
9	4460J	Tine, R. H. Outer
10	STD624008*	Clip, Hairpin
11	102172X	Hub, Assembly R. H.

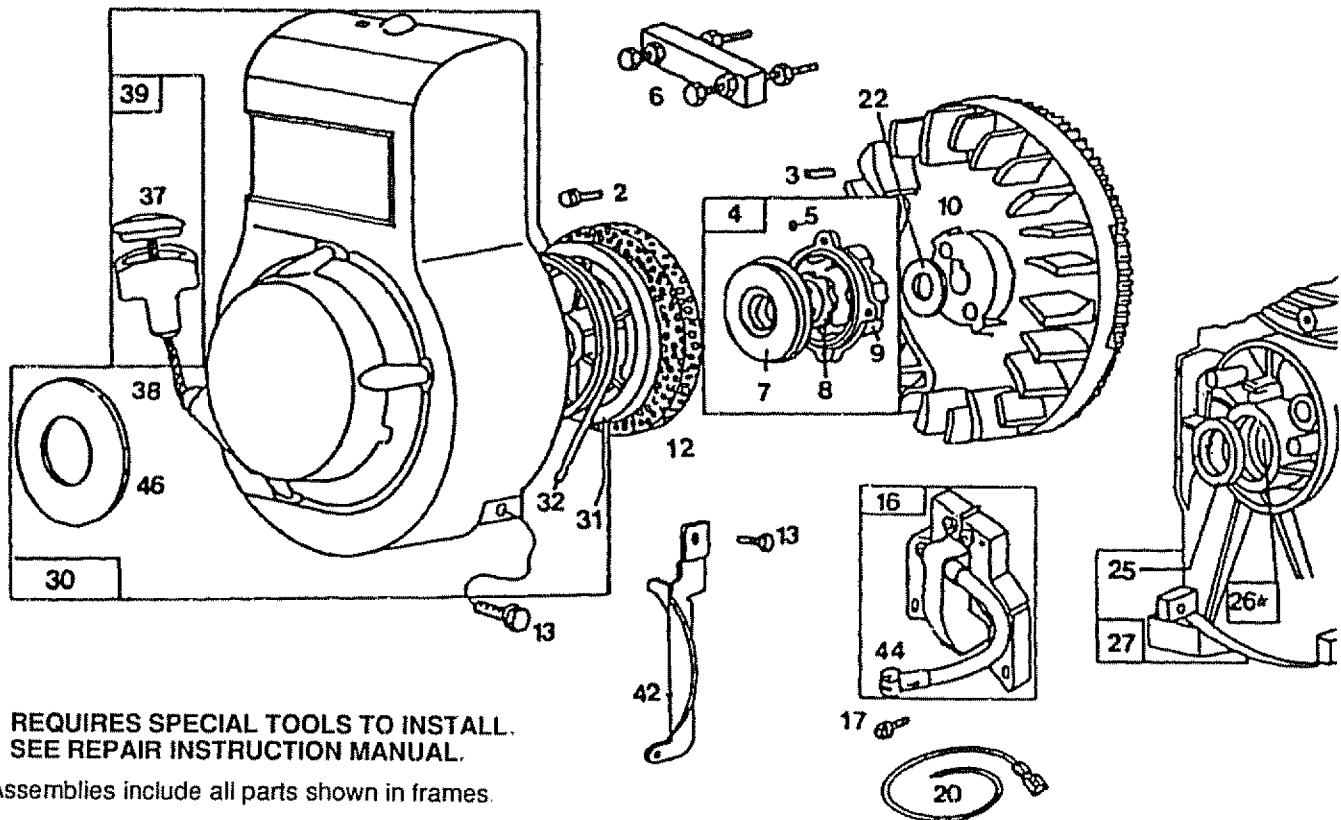
\* STANDARD HARDWARE--PURCHASE LOCALLY

# REPAIR PARTS

4 H.P. CRAFTSMAN TILLER - MODEL NUMBER 917.299642

ENGINE - BRIGGS & STRATTON-- MODEL NUMBER 112202, TYPE NUMBER 0847-01

ENGINE, RIGHT SIDE



\* REQUIRES SPECIAL TOOLS TO INSTALL.  
SEE REPAIR INSTRUCTION MANUAL.

Assemblies include all parts shown in frames.

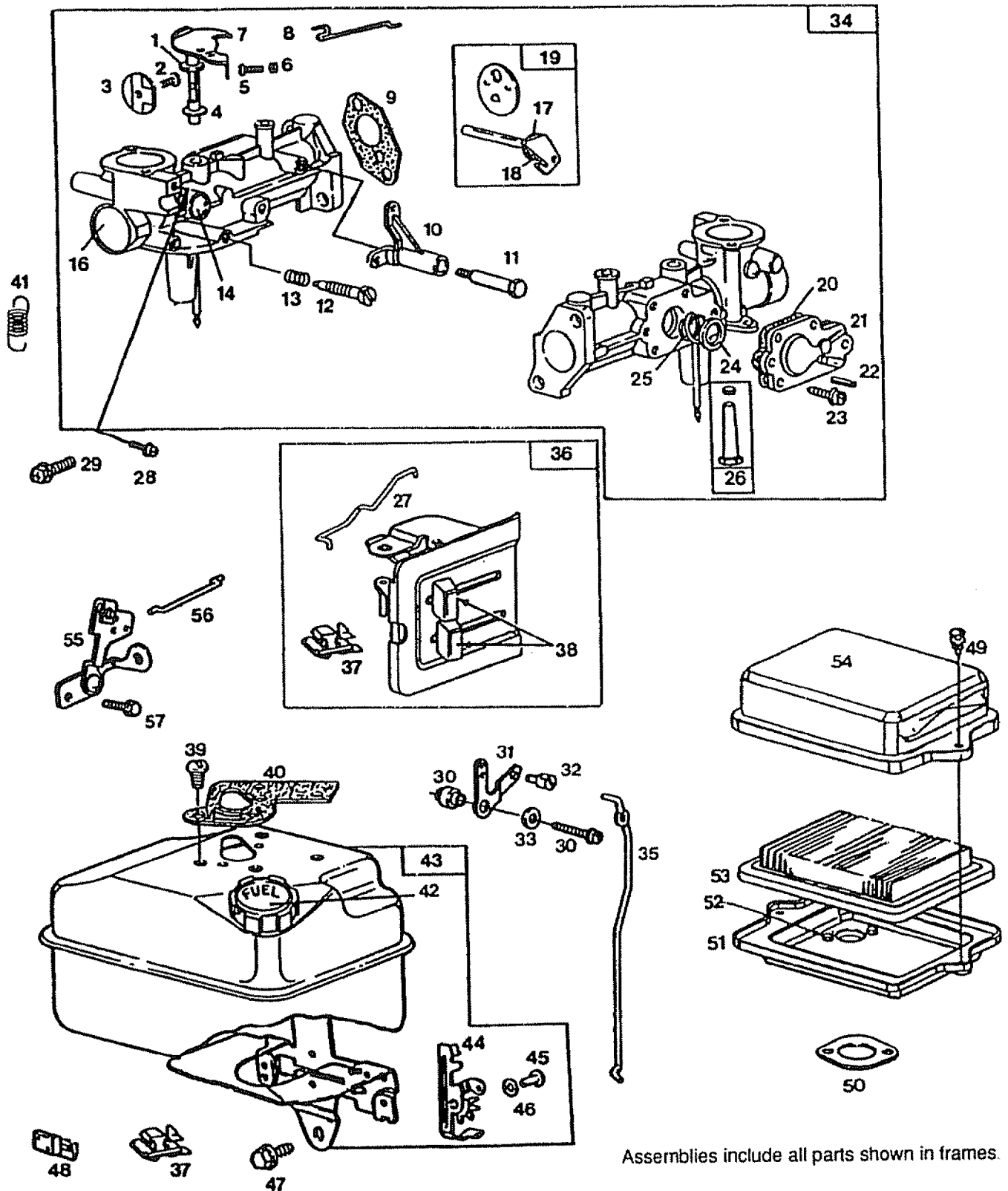
KEY PART NO.	PART NO.	DESCRIPTION	KEY PART NO.	PART NO.	DESCRIPTION
2	93490	Screw, Rotating Screen Mounting Sem	22	220865	Washer, Spring
3	222698	Key, Flywheel	25	393862	Seal, Oil
4	399671	Clutch Assembly, Rewind Starter	26	293708	Bushing, Cylinder Note: Requires special tools for installation.
5	63770	Ball, Clutch	27	395970	Cylinder Assembly
6	19069	Puller, Flywheel (optional Accessory)	30	490828	Starter Assembly, Rewind
7	394506	Washer, Clutch Retainer	31	280439	Pulley, Rewind Starter
8	298436	Ratchet, Rewind Starter	32	490179	Spring, Rewind Starter
9	394897	Housing, Starter Clutch	37	396892	Insert, Starter Grip
10	394431	Flywheel, Magneto	38	66734	Rope, Starter (48 - 5/8")
12	221661	Screen, Rotating	39	393152	Grip, Starter Rope
13	94153	Screw, Sem	42	223087	Guard, Flywheel
16	397316	Armature, Magneto	44	221798	Terminal, Ignition Cable
17	93381	Screw, Armature Mounting Sem	46	490817	Spacer
20	398808	Wire, Ground			

# REPAIR PARTS

4 H.P. CRAFTSMAN TILLER - MODEL NUMBER 917.299642

ENGINE - BRIGGS & STRATTON -- MODEL NUMBER 112202, TYPE NUMBER 0847-01

ENGINE, REAR



# REPAIR PARTS

4 H.P. CRAFTSMAN TILLER - MODEL NUMBER 917.299642

ENGINE - BRIGGS & STRATTON -- MODEL NUMBER 112202, TYPE NUMBER 0847-01

ENGINE, REAR

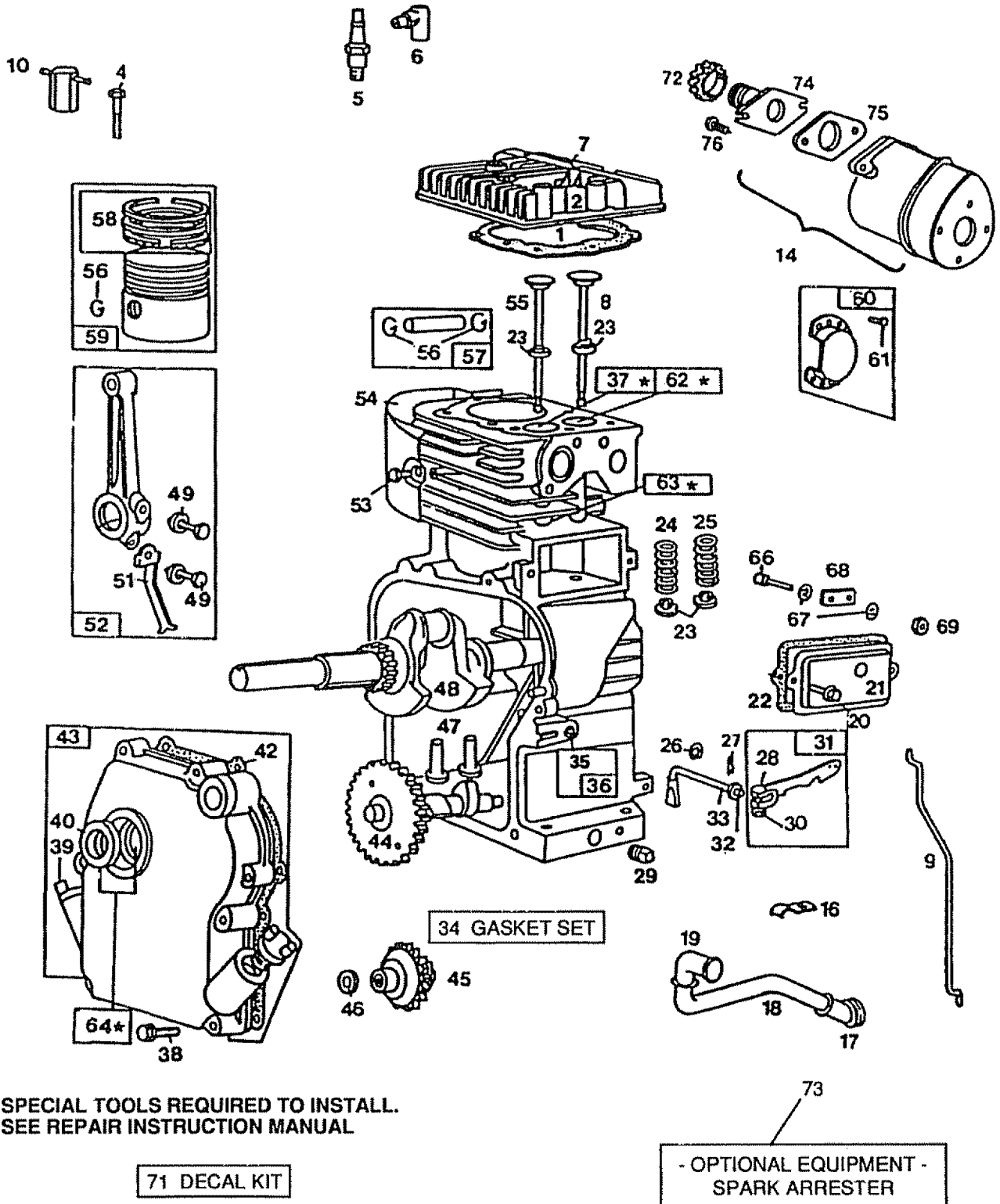
KEY PART NO.	PART NO.	DESCRIPTION	KEY PART NO.	PART NO.	DESCRIPTION
1	271853	Washer - Throttle Shaft	29	93357	Screw - Hex. Hd.
2	93499	Screw - Throttle Valve Mounting Sem	30	490589	Screw Carb. and Cam. Lever
3	223793	Valve - Throttle	31	223813	Crank - Bell
4	398970	Seal - Throttle Shaft	32	490507	Retainer - Link
5	93527	Screw - Machine, Rd. Hd. -- 5-40 x 5/8"	33	220982	Washer
6	260575	Spring Throttle Adjustment	34	492612	Carburetor Assembly
7	490048	Shaft and Lever - Throttle	35	262277	Rod - Control
8	262270	Link - Throttle	36	490648	Plate - Control
9	271936	Gasket - Intake Elbow Mounting (2 Req'd)	37	396847	Switch - Stop
10	280720	Crank - Bell	38	280715	Knob - Control Bracket
11	231520	Screw - Shoulder	39	94094	Screw - Sem
12	231533	Valve - Needle	40	271928	Gasket - Fuel Tank Mounting
13	26336	Spring - Needle Valve	41	262285	Spring - Governor
14	223789	Plug - Welch	42	490075	Cap, Fuel Tank
16	220352	Plug - Welch	43	490491	Tank, Fuel
17	270382	Washer - Foam	44	223097	Level - Governor Control
18	221839	Washer - Brass	45	93491	Rivet
19	491177	Valve Group - Choke	46	222962	Bushing - Governor Control Level
20	270026	Diaphragm	47	94408	Screw - Tank Bracket Mounting Sem
21	210959	Cover - Diaphragm	48	280321	Gear Rack - Governor
22	93265	Pin - Diaphragm Cover	49	490073	Screw - Air Cleaner
23	93141	Screw - Diaphragm Cover	50	271935	Gasket - Air Cleaner Mounting
24	221377	Cap - Spring	51	490074	Base - Air Cleaner
25	262328	Spring - Fuel Pump Diaphragm	52	94018	Screw - Hex. Hd.
26	391813	Fuel Pipe and Clip Assembly	53	399959	Filter - Air Cleaner
27	262359	Link - Choke	54	223765	Cover - Air Cleaner
28	93543	Screw - Fil. Hd.	55	491577	Control. Throttle
			56	262470	Link - Throttle
			57	93572	Screw

# REPAIR PARTS

4 H.P. CRAFTSMAN TILLER - MODEL NUMBER 917.299642

ENGINE - BRIGGS & STRATTON -- MODEL NUMBER 112202, TYPE NUMBER 0847-01

ENGINE, INTERNAL PARTS



\* SPECIAL TOOLS REQUIRED TO INSTALL.  
SEE REPAIR INSTRUCTION MANUAL

71 DECAL KIT

- OPTIONAL EQUIPMENT -  
SPARK ARRESTER

Assemblies include all parts shown in frames.



# REPAIR PARTS

4 H.P. CRAFTSMAN TILLER - MODEL NUMBER 917.299642

ENGINE - BRIGGS & STRATTON -- MODEL NUMBER 112202, TYPE NUMBER 0847-01

## ENGINE, INTERNAL PARTS

KEY PART NO.	PART NO.	DESCRIPTION	KEY PART NO.	PART NO.	DESCRIPTION
1	270836	Gasket - Cylinder Head	45	391737	Gear - Governor
2	213141	Head - Cylinder	46	221551	Washer - Thrust
4	93111	Screw - Cylinder Head (1 - 15/16" long)	47	261250	Tappet - Valve
5	293918	Plug - Spark (with gasket) (1 - 1/2" High - 37 - 42 M.M.) (Resistor type)	48	261416	Crankshaft
6	66538	Elbow - Spark Plug	49	94405	Screw - Connecting Rod
7	223085	Cover - Cylinder Head	51	220670	Dipper - Connecting Rod
8	261233	Valve - Intake	52	392939	Rod Ass'y. - Connection
9	262278	Link - Governor		<b>NOTE:</b>	For Connecting Rod with .020" undersize Crankpin Bearing order No. 393710
10	89838	Wrench - Spark Plug	53	93490	Screw - Cylinder Shield Mounting Sem
14	492591	Muffler - Exhaust (Lo - Tone)	54	223086	Shield - Cylinder
16	223786	Clamp - Breather Tube	55	212004	Valve - Exhaust
17	66578	Grommet - Breather Tube	56	26026	Lock - Piston Pin
18	231527	Tube - Breather	57	391649	Pin Assembly - Piston - Standard
19	67838	Grommet - Breather Tube	58	391654	Ring Set - Std. Piston
20	93394	Screw - Breather Mounting Sem	58	391656	Ring Set - 010 " O.S. Piston
21	294178	Breather - Valve Chamber	58	391658	Ring Set - 020" O.S. Piston
22	27549	Gasket Valve Cover	58	391660	Ring Set - 030" O.S. Piston
23	93312	Retainer - Valve Spring		<b>NOTE:</b>	For Chrome Piston Ring Set Std. size order NO 392330
24	26478	Spring - Exhaust Valve	59	391650	Piston Assembly - Std.
25	260552	Spring - Intake Valve	59	391651	Piston Assembly - .010" O.S.
26	93307	Retainer - E-Ring	59	391652	Piston Assembly - .020" O.S.
27	93306	Cotter - Hair Pin	59	391653	Piston Assembly - .030" O.S.
28	92613	Bolt Governor Lever	60	393760	Deflector - Exhaust
29	91249	Plug - Pipe, 1/4" Std. Square Head	61	93705	Screw - Sem
	<b>NOTE:</b>	93448 Plug - Pipe ( Hex. Socket)	62	211172	Seat - Intake Valve (Standard)
30	231082	Nut - Hex - 10-24	63	231348	Guide - Exhaust Valve
31	490454	Lever Ass'y - Governor		<b>NOTE:</b>	63709 Guide - Intake Valve
32	222450	Washer - Gov. Lever	64	293708	Bushing Assembly - Crankcase
33	231077	Crank - Governor		<b>NOTE:</b>	Cover (Includes 220538 Bushing)
34	397147	Gasket Set		<b>NOTE:</b>	Bushings require special tools for installation.
35	231079	Bushing - Governor Shaft	66	90200	Screw - Machine, Fil. Hd. - 8 - 32 x 1/2"
36	395970	Cylinder Assembly	67	92791	Lockwasher - Shakeproof
37	211291	Seat - Exhaust Valve (Standard)	68	66895	Insulator
38	93032	Screw - Crankcase Cover Mounting Sem	69	90576	Nut - Hex. - 8 - 32
	<b>NOTE:</b>	93656 Stud	71	491098	Decal (Label) Kit
		90832 Washer - Lock	72	220859	Locknut - Muffler
39	66768	Plug - Oil Filler	73	396800	Spark Arrester Kit
40	393862	Seal - Oil	74	492232	Adaptor/Muffler
42	270833	Gasket - Crankcase - .015" thick (Standard)	75	272203	Gasket Exhaust
42	270895	Gasket - Crankcase - .005" thick	76	94153	Screw Hex Head
42	270896	Gasket - Crankcase - .009" thick			
43	394520	Cover Assembly - Crankcase			
44	392171	Gear - Cam			

# SERVICE NOTES

# SERVICE NOTES

**SEARS**  
**OWNERS**  
**MANUAL**

**MODEL NO.**  
**917.299642**

**HOW TO ORDER**  
**REPAIR PARTS**

**CRAFTSMAN**  
**4.0 HORSEPOWER**  
**14 INCH TINE WIDTH**  
**COUNTER ROTATING TINES**  
**REAR TINE TILLER**

Each Tiller has its own model number. Each Engine has its own model number.

The Model Number for your Tiller will be found on a plate attached to the top of the Transmission.

The model number for the Engine will be found on the Blower Housing of the Engine adjacent to the Spark Plug.

All parts listed herein may be ordered from any Sears, Roebuck and Co. Service Centers and most Retail Stores.

WHEN ORDERING REPAIR PARTS, ALWAYS GIVE THE FOLLOWING INFORMATION:

- PRODUCT - "REAR TINE TILLER"
- MODEL NUMBER - 917.299641
- ENGINE MODEL NUMBER -112202 - TYPE NUMBER -0847-01
- PART NUMBER
- PART DESCRIPTION

Your Sears merchandise has added value when you consider Sears has service units nationwide staffed with Sears trained technicians... professional technicians specifically trained to insure that we meet our pledge to you, we service what we sell.

---

**Sears, Roebuck and Co., Chicago, IL 60684 U.S.A.**

---