

User's Information Manual

Gas Furnaces

Condensing Gas Furnaces

95% Upflow/Horizontal *9UHX

90+ & 95% Four Position Furnaces

N9MP1, N9MP2, N9MPD,

*9MPD, *9MPT, *9MPV, *9MPX & *9MVX

Non-Condensing Gas Furnaces

80+ Four Position Furnaces

N8MPN/L, *8MPN/L, *8MPT & *8MPV

*8DNL (Downflow only)



! WARNING

FIRE OR EXPLOSION HAZARD.

Failure to follow this warning could result in injury, death and/or property damage.

- Do not store or use gasoline or other flammable vapors and liquids in the vicinity of this or any other appliance.
- WHAT TO DO IF YOU SMELL GAS
 - Do NOT try to light any appliance.
 - Do NOT touch any electrical switch; do NOT use any phone in your building.
 - Leave the building immediately
 - Immediately call your gas supplier from a neighbor's phone. Follow the gas supplier's instructions.
 - If you cannot reach your gas supplier, call the fire department.
- Installation and service must be performed by a qualified installer, service agency or the gas supplier.



Installer: Affix these instructions on or adjacent to the furnace.

User: Please read all instructions in the manual and retain these instructions for future reference.


International Comfort Products, LLC
Lewisburg, TN 37091 U.S.A.

Contents

Danger, Warning and Caution	2	About Your Furnace	5
Safety Rules	3	Operating Your Furnace	7
Combustion Air (Your Safety)	4	Furnace Maintenance	8
Indoor Humidity (Your Comfort)	5		

Danger, Warning and Caution

Recognize safety information.

This is the safety-alert symbol . When you see this symbol on the furnace and in instruction manuals be alert to the potential for personal injury.

Understand the signal words **DANGER**, **WARNING** and **CAUTION**. These words are used to identify levels of hazard seriousness. The signal word **DANGER** is only used on product labels to signify an immediate hazard. The signal words **WARNING** and **CAUTION** will be used on product labels and throughout this manual and other manuals that may apply to the product.

Signal Words

DANGER – Immediate hazards which **WILL** result in severe personal injury or death.

WARNING – Hazards or unsafe practices which **COULD** result in severe personal injury or death.

CAUTION – Hazards or unsafe practices which **MAY** result in minor personal injury or product or property damage.

“NOTE” is used to highlight suggestions which will result in enhanced installation, reliability or operation.

Signal Words in Manuals

The signal word **WARNING** is used throughout this manual in the following manner:



The signal word **CAUTION** is used throughout this manual in the following manner:



Product Labeling

Signal words are used in combination with colors and/or pictures on product labels. Following are examples of product labels with explanations of the colors used.

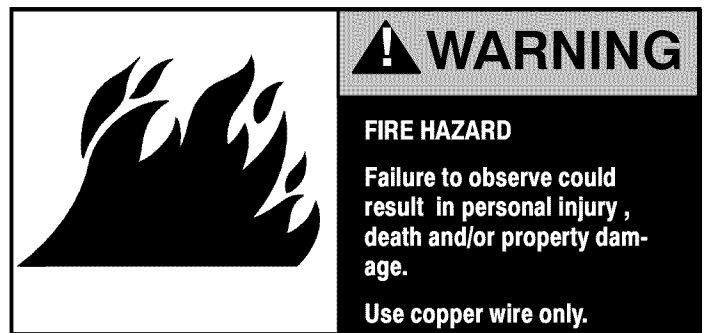
Danger Label

White lettering on a black background except the word **DANGER** which is white with a red background.



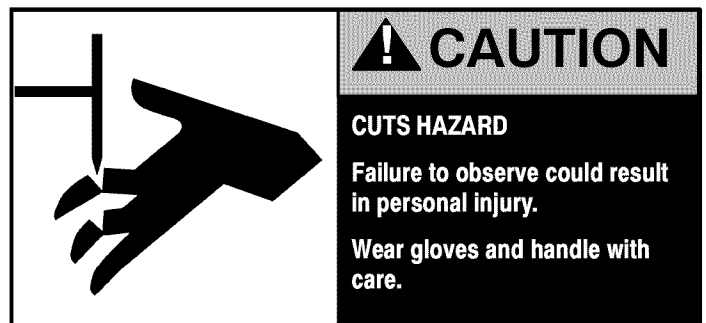
Warning Label

White lettering on a black background except the word **WARNING** which is black with an orange background.



Caution Label

White lettering on a black background except the word **CAUTION** which is black with a yellow background.



⚠ WARNING

PERSONAL INJURY, DEATH AND/OR PROPERTY DAMAGE HAZARD

Failure to observe and follow Cautions, Warnings and instructions could result in personal injury, death or property damage.

Read this manual and follow its instructions and adhere to all Cautions and Warnings in the manual and on the furnace.

Consult a qualified service agency for installation, adjustment and maintenance.

Safety Rules

Your furnace is built to provide many years of safe and dependable service providing it is properly installed and maintained. However, abuse and/or improper use can shorten the life of the furnace and create hazards for you, the owner.

- A. **The U.S. Consumer Product Safety Commission recommends that users of gas-burning appliances install carbon monoxide detectors. There can be various sources of carbon monoxide in a building or dwelling. The sources could be gas-fired clothes dryers, gas cooking stoves, water heaters, furnaces, gas-fired fireplaces, wood fireplaces, and several other items. Carbon monoxide can cause personal injury and/or death. Carbon monoxide or "CO" is a colorless and odorless gas produced when fuel is not burned completely or when the flame does not receive sufficient oxygen. Therefore, to help alert people of potentially dangerous carbon monoxide levels, you should have carbon monoxide detectors that are listed as complying with a standard by a nationally recognized agency (e.g. ANSI/UL 2034-2008, CSA 6.19-01, or International Approval Services 6-96) installed and maintained in the building or dwelling (see Note below).**
- B. There can be numerous sources of fire or smoke in a building or dwelling. Fire or smoke can cause personal injury, death, and/or property damage. Therefore, in order to alert people of potentially dangerous fire or smoke, you should have fire and smoke detectors that are listed by Underwriters Laboratories installed and maintained in the building or dwelling (see Note below).

Note: The manufacturer of your furnace does not test any detectors and makes no representations regarding any brand or type of detector.

- C. To ensure safe and efficient operation of your furnace, you should do the following:
 1. **Thoroughly read this manual and labels on the furnace.** This will help you understand how your furnace operates and the hazards involved with gas and electricity.
 2. **The furnace area must be kept clear and free of combustible materials, gasoline, and other flammable vapors and liquids.**
 3. **Do not use this furnace if any part has been underwater. A flood-damaged furnace is extremely dangerous. Attempts to use the furnace can result in fire or explosion. Immediately call a qualified service agency to inspect the furnace and to replace all control system parts, electrical parts, and gas controls which have been wet or the furnace, if deemed necessary.**
 4. **Never block or obstruct the openings on the furnace, or any ducts that provide air to the furnace.** Air must be provided for proper and safe operation of the furnace for combustion and ventilation of flue gases. See the "*Combustion Air (Your Safety)*" section of this manual.
 5. **Familiarize yourself with the possible air starvation signals. Check the combustion air supply.** Some models use air drawn from outdoors, See **Figure 3**. Other models and other appliances use combustion air from inside the

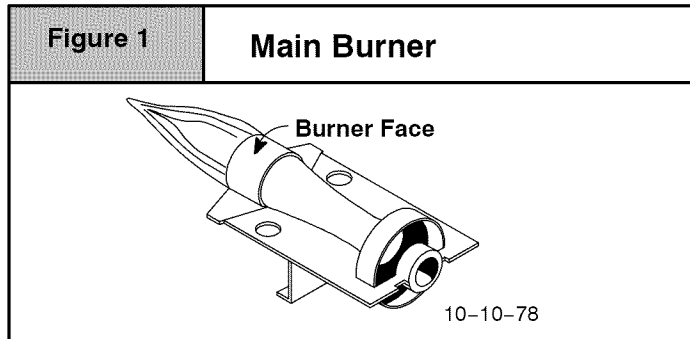
structure. Air starvation signals are given in the following "*Combustion Air (Your Safety)*". section of this manual. If any of the signals are noticed, perform a combustion air check as shown in the following *Combustion Air Checks* section of this manual or call a qualified service agency. If you add weather stripping, storm windows, insulation, an additional fuel burning appliance, or remodel the structure, a combustion air check **MUST** be accomplished after the addition

6. **Maintain safety and service clearances from the furnace.** These clearances are listed on the furnace rating plate. Keep the furnace area clean and free of combustible materials at all times. Never store gasoline, paint, aerosol cans, waxes, bleaches, dry cleaning fluid or items such as paper or rags near the furnace.
7. **Examine the furnace area when the furnace or additional insulation is added since some insulation materials may be combustible.** Furnace must be kept free and clear of exposed or loose insulation materials in the area of installation.
8. **Should the gas supply fail to shut off or if overheating occurs, shut off the gas valve to the furnace before shutting off the electrical supply.** Read the label on the front of the furnace and the Operating Your Furnace section of this manual for steps to turn off the furnace.
9. **Familiarize yourself with all controls.** Make sure you know how to shut off the gas and the electrical power to the furnace. Read the label on the front of the furnace and the Operating Your Furnace section of this manual for steps to start and turn off the furnace. If the furnace is to be shut down for an extended length of time (example; remodeling project), turn off both the gas and the electrical power. For safety, always turn them off before performing service or maintenance on the furnace.
10. **Establish a regular service and maintenance schedule.** This will ensure efficient and safe operation of the furnace. It is recommended that you have a qualified service agency perform a complete check on the furnace before each heating season. See furnace *Qualified Agency Checks and Combustion Air Checks* section of this manual.
11. **Monthly Inspection.** A properly adjusted gas furnace should not require cleaning at frequent intervals, but it should be inspected regularly to ensure safe and efficient operation. A brief monthly inspection is recommended that does not require disassembly. Examine the furnace installation to determine that:
 - a. Check the return air duct connection. The duct connection must be physically sound, sealed to the furnace casing and must terminate outside the space containing the furnace.
 - b. All flue gas carrying areas external to the furnace (i.e. chimney, vent connector) are clear and free of obstructions.
 - c. The vent connector is in place, slopes upward and is physically sound without holes or excessive corrosion.
 - d. (Upflow or downflow installations with duct connection at bottom only.) The physical support of the furnace is sound without sagging, cracks, gaps, etc., around the base so as to provide an air seal between the support and the base.
 - e. There should be no obvious signs of deterioration of the furnace.
 - f. Check that the burner flames are in good adjustment. To inspect the Main Burner flames it will be necessary to remove the louvered door on the front of the furnace, except for furnaces not having any louvers in the doors. The doors (no louvers) of these furnaces must remain installed (to prevent changes in flame appearance) while inspecting the Main Burner flames through the view port in the door. **Contact a qualified service agency at once if an abnormal flame appearance is identified.**

Main Burner Flame: Check for the following:

- Stable and blue flames. See **Figure 1**.
- Flames extending directly from burner into heat exchanger.
- Flames do NOT touch sides of heat exchanger.

NOTE: Dust may cause orange tips or wisps of yellow, but flames **MUST NOT** have solid, yellow tips.



- Check main burner flames monthly.

g. With the equipment shutoff valve turned **OFF**, remove the burner compartment door of the furnace to use a flashlight to inspect the visible parts of the burners and igniter. Check for loose soot and give particular attention to obvious deterioration from corrosion or other sources. If soot or deterioration is found inside the furnace, **DO NOT OPERATE FURNACE**; call a qualified service agency.

h. Inspect the drain line and overflow line monthly (condensing furnace and/or air conditioning cooling coil attached to furnace).

Combustion Air (Your Safety)

⚠ WARNING

CARBON MONOXIDE POISONING HAZARD
Failure to follow this warning could cause personal injury and/or death.

All fuel-burning appliances must be provided with enough fresh air for proper combustion and ventilation of flue gases.

Some models use air from the space in which they are located, and other appliances in the same space may also be using indoor air for ventilation and/or combustion.

New materials and methods are being used in construction and remodeling which result in lower energy costs for heating and cooling. It may also mean your appliances may not be getting enough air for combustion and ventilation of flue gases. The use of exhaust fans, fireplaces, clothes dryers, and other appliances consume air or vent it to the outdoors.

If the gas appliances or heating furnace can't get enough air, two conditions may result:

1. The appliances or furnace may produce carbon monoxide gas.
2. The appliance may not vent flue gases properly. The following are signs that your appliances may not be getting enough air for proper combustion.

Be aware of these signals;

1. **Headaches–Nausea–Dizziness**
2. **Excessive humidity–heavily frosted windows or a moist “clammy” feeling in the structure.**
3. **Smoke from the fireplace won't draw up the chimney.**

⚠ WARNING

CARBON MONOXIDE POISONING HAZARD.
Failure to follow this warning could result in personal injury and/or death.

If you experience headaches, nausea, or dizziness, carbon monoxide may be present.

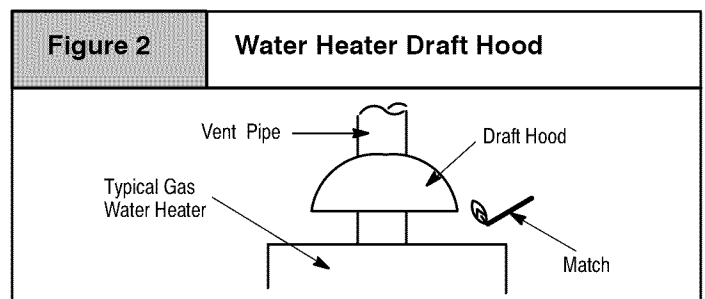
Leave the house immediately and call your gas supplier.

Combustion Air Checks

If any of the above signals are noticed, perform a combustion air check or call a qualified service agency. If you add weather stripping, storm windows, insulation, an additional fuel burning appliance, or remodel the structure, a combustion air check **MUST** be accomplished after the addition.

Make the inspection as follows:

1. Close all doors and windows. If you have a fireplace, start a fire and wait until flames are burning vigorously.
2. Turn on all exhausting devices, such as: kitchen and bathroom exhaust fans and dryers (gas or electric).
3. Turn on all vented gas appliances, such as: heating equipment (includes any room heaters) and water heaters.
4. Wait ten (10) minutes for drafts to stabilize.
5. On appliances with a draft hood, check for spillage by holding a lighted match 2" (50.8mm) from the draft hood opening. Reference **Figure 2**, which shows a water heater draft hood.



- A. *Match flame pulls toward draft hood.*
This indicates no spillage and that appliance is getting enough air for combustion. Return exhausting devices and appliances to the condition in which you found them .
- B. *Match goes out or flame wavers away from draft hood.* This indicates spillage and that appliance is not getting enough air for combustion.

⚠ WARNING

CARBON MONOXIDE POISONING HAZARD.
Failure to follow this warning could result in personal injury and/or death.

Draft hood spillage means there is not enough air for proper combustion and carbon monoxide may be present.

Keep a window open (a minimum of 2") near the appliance until a permanent combustion air duct is installed. Contact a qualified service agency.

If draft hood spillage is indicated:

1. Check for plugged vent connectors and chimneys. Repair stoppage and test again.
2. If you have a fireplace, open a window or door near the fireplace and then check for spillage. If spillage stops, do not use the fireplace until you can supply fresh air by a permanent duct.
3. If you have kitchen and bathroom exhaust fans, turn them **OFF** and check for spillage. If spillage stops, do not use exhaust fans until you can supply fresh air by a permanent duct. Circuit breakers for fans should be turned off and marked as to why they are off.
4. Spillage means air starvation and that an outdoor air duct or air intake must be installed to provide air directly to the area around the furnace. This duct or intake **MUST** comply with local and state building codes or in their absence with the National Fuel Gas Code NFPA 54/ANSI Z223.1-2006 in the U.S., or the National Standard of Canada, Natural Gas and Propane Installation Code CSA B-149.1-2005 in Canada.

Indoor Humidity (Your Comfort)

Relative humidity is important to your health. Proper humidification helps cut down incidences of respiratory illness. Air that is too wet may damage the building structure. Air that is too dry is uncomfortable. A quick way to test for proper humidity is as follows:

1. Look for frequent fogging or excessive condensation on the inside of windows. This indicates the indoor humidity level is too high for outdoor weather conditions.
2. Drop three ice cubes into a glass of water and stir. If, within three minutes, moisture does not form on the glass, the air is too dry and a humidifier would be beneficial. (Do not perform this test in the kitchen, cooking vapors may produce inaccurate results.)

A good relative humidity is one just high enough to barely start condensation along the lower edges or lower corners of the windows, when it is cold outside. More than that can be damaging.

If the humidity is too high, try these suggestions to lower the humidity:

1. Reduce setting or discontinue use of humidifier.
2. Use range and bathroom exhaust fans while cooking and bathing. Open a door or window for a few minutes to bring in cool drier air.
3. Cook with pans covered.
4. Take shorter baths or showers with cooler water.
5. Install a fresh air intake duct. Cold, dry air brought in from outside to the furnace area lowers the indoor humidity level.
6. Have appliances checked. A malfunctioning appliance can contribute water vapor to the structure.
7. If the problem continues, consult a heating contractor about adding a heat recovery ventilator or air-to-air heat exchanger.

About Your Furnace

Figure 3 or **Figure 4** shows the location of the components in the furnace.

Circulating Air Blower

The blower circulates room air through the furnace, air ducts, and into the rooms of the structure. The blower can be set at the thermostat for automatic or manual operation. In manual mode the blower operates continuously. In automatic, the blower does not come on until a preset time after the gas valve is energized. When the structure reaches the temperature set on the thermostat, the furnace will shut off. The blower will continue to run until the furnace cools down.

Thermostat

There are many types and styles of thermostats. Most thermostats control both heating and cooling functions and have a Fan Switch with **AUTO** and **ON** settings. On **AUTO**, the Circulating Air Blower will cycle on/off with the furnace on the heating speed unless a call for cooling is initiated. Blower speed will correspond to the mode of operation of the furnace. If the Fan Switch is positioned to **ON** the blower will run continuously.

In addition some thermostats are programmable with multiple set backs. The set backs can be pre-programmed to lower or raise the temperature automatically.

Be sure to become familiar with your thermostat.

Rating Plate

The rating plate contains important information for the service technician and lists the complete model, manufacturing and serial numbers. You should always provide all these numbers when requesting parts or if you need service. See **Figure 3**, **Figure 4** or **Figure 5** for rating plate location.

Door Interlock Switch

All the electrical power for the furnace goes through the door interlock switch. The interlock switch interrupts electrical power to the furnace when the blower door is removed. The furnace will not operate until the blower door is reinstalled.

Furnace Control

The furnace control provides power to the circulating air blower to keep it on until the furnace cools down.

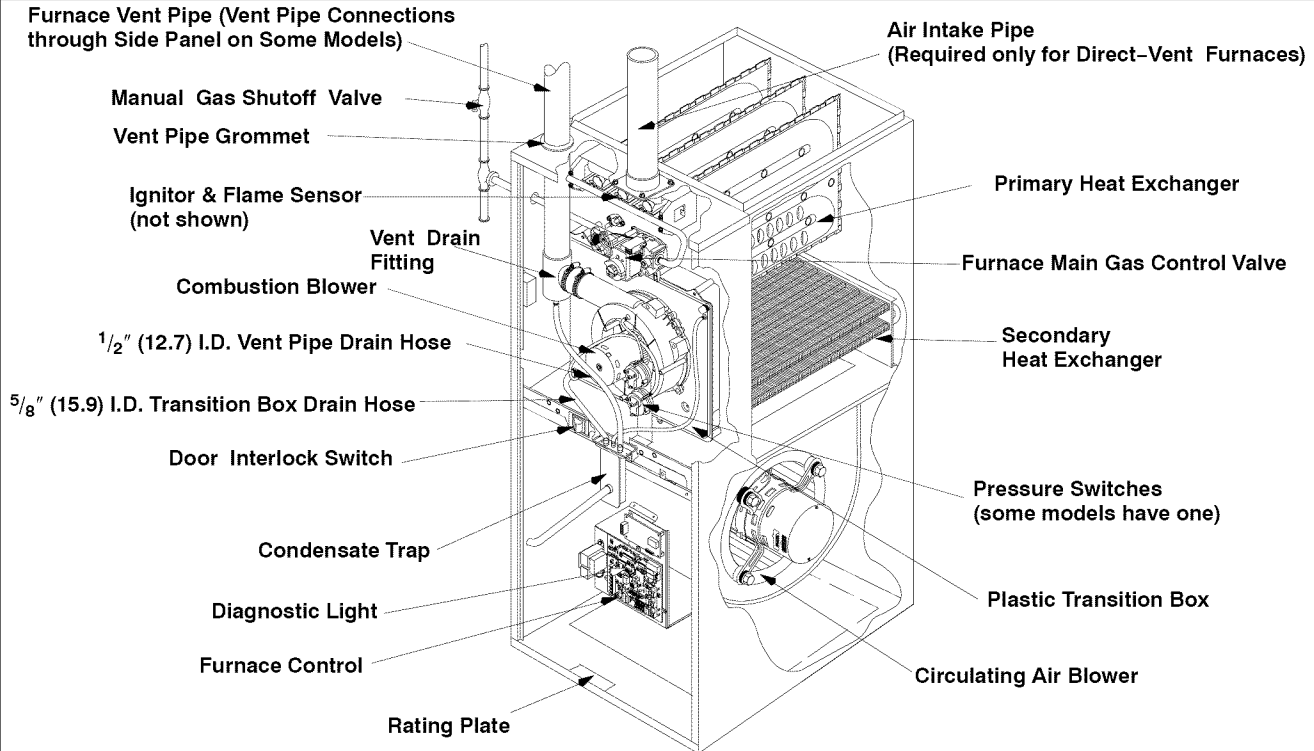
The fan off-delay setting can be adjusted if the fan remains on long enough that cool drafts are felt in the room after the furnace shuts off.

The off-delay is set by moving a set of switches (two-stage) or jumper (single-stage) on the control. The Wiring Diagram located on the inside of the blower door shows the various delay combinations. Refer to **Figure 3** or **Figure 4** for location of the control.

If you are unsure how to set the Off-delay Control, contact a Qualified Service Agency.

Figure 3

Component Locations for Condensing 90+ Furnaces – inches(millimeters)

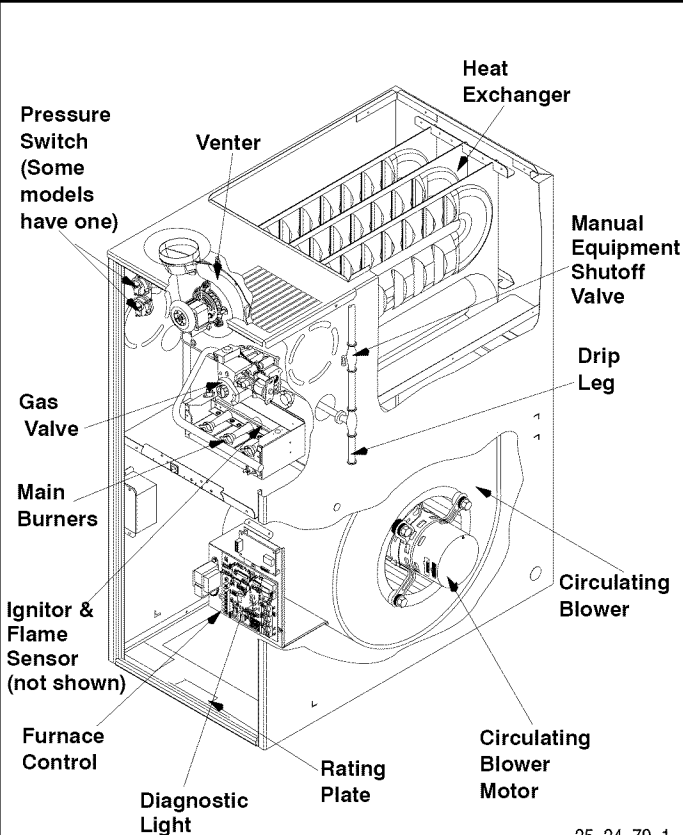


Representative drawing only, some models may vary in appearance.

25-24-78-1

Figure 4

Component Locations for 80+ Furnaces (4-Position)

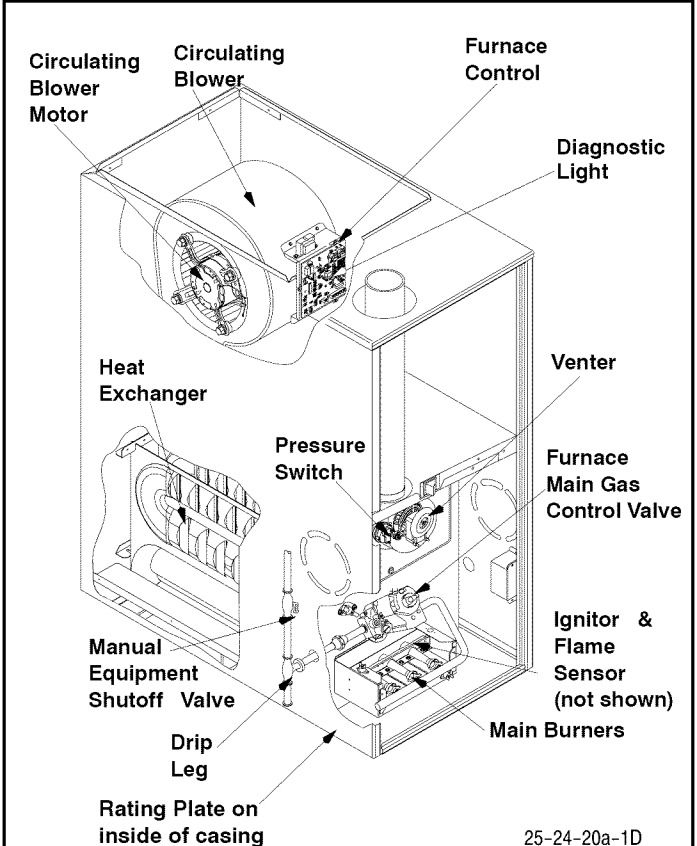


25-24-79-1

Representative drawing only, some models may vary in appearance.

Figure 5

Component Locations for 80+ Furnaces (Downflow)



25-24-20a-1D

Representative drawing only, some models may vary in appearance.

Set the room thermostat slightly above room temperature. This will automatically signal the furnace to start. The inducer motor will start, and the hot surface igniter will have an orange glow. After about 32 seconds (from the call for heat at the thermostat), the gas valve permits gas to flow to the main burners where it is ignited. When the flame is firmly established, the igniter shuts off. Hot flames begin to warm the furnace's heat exchanger. After a time delay of 30 seconds (45 seconds for low-stage on two-stage furnaces) the furnace blower is switched on.

NOTE: If the main burners fail to ignite, the furnace control system will go through three more ignition cycles. Then, if burners fail to ignite, the system will lockout. If lockout occurs, or the blower doesn't come on – shut down your furnace and call a Qualified Service Agency for service.

Pressure Switch

The furnace is equipped with one or more pressure switches to shut down the furnace under various flue conditions. The switches are connected to the furnace by factory supplied tubing.

Operating Your Furnace

Keep the blower access door and all access panels in place except for inspection or maintenance.

Before starting your furnace be sure you read and understand all of the procedures in this manual. Check to make sure the furnace filter is clean and correctly installed.

⚠ WARNING

CARBON MONOXIDE POISONING HAZARD
Failure to follow this warning could result in personal injury and/or death.
Provisions for combustion and ventilation air must be provided for in accordance with installation instructions supplied with furnace.

Starting The Furnace

See **Figure 6** for an illustration of the gas control valve.

1. Turn the thermostat to its lowest temperature setting or to **OFF** if equipped with a System Select Switch.
2. Turn **OFF** all electric power to the furnace at the disconnect switch or circuit breaker.
3. Remove the burner compartment door by removing the two(2) screws securing the door in front and lifting the door up and outwards. Removing the door will expose the gas control valve knob.
4. Turn the gas control valve to the **OFF** position. See **Figure 6**.
5. Wait five minutes to clear out any gas. If you then smell gas, **STOP!** Follow the safety information on the cover of this manual. If you do not smell gas, go to the next step.
6. Turn the gas control valve to the **ON** position. See **Figure 6**.
7. Reinstall all doors.
8. Turn **ON** all electrical power to the furnace.

9. Set the thermostat to the desired temperature and the System Select Switch to **HEAT**.

The furnace will activate an igniter which lights the main burners.

Turning Off The Furnace

Set the thermostat to the lowest temperature setting or set System Select Switch to **OFF**, if so equipped.

Should overheating occur or the gas control valve fail to shut off, shut off the manual equipment shutoff valve to the furnace before shutting off the electrical supply.

Extended Shutdown

1. Set thermostat to lowest temperature setting or set thermostat System Select Switch to **OFF**, if so equipped.
2. Turn Manual Equipment Shutoff Valve for furnace to **OFF** position, **Figure 6** (at right angle or 90° to gas line).
3. Remove the burner compartment door by removing the two (2) screws securing the door in front and lifting the door up and outwards. Removing the door will expose the gas control valve knob.
4. Turn **OFF** electric power to the furnace at the disconnect switch or circuit breaker. (May be left **ON** for set-back type thermostat with batteries, provided thermostat has system select switch placed in the **OFF** position.)
5. Turn the the gas control valve to the **OFF** position. See **Figure 6**
6. Reinstall all doors.

Propane Gas Model Furnaces

⚠ WARNING

FIRE OR EXPLOSION HAZARD
Failure to follow this warning could result in death, personal injury and/or property damage.
Propane gas is heavier than air. Leaking gas could settle in low areas such as crawl space. If you suspect the presence of gas, follow the instructions on the cover of this manual.

If your propane gas furnace is installed in an excavated or low lying area, we recommend that you contact your propane gas supplier about installing a warning device that would alert you of a gas leak.

Frozen Water Pipe Hazard

⚠ CAUTION

FROZEN AND BURST WATER PIPE HAZARD.
Failure to follow this caution may result in burst water pipes, and/or property damage.
Furnace may shut down. Do not leave your home unattended for long periods during freezing weather without turning off water supply and draining water pipes or otherwise protecting against the risk of frozen pipes.

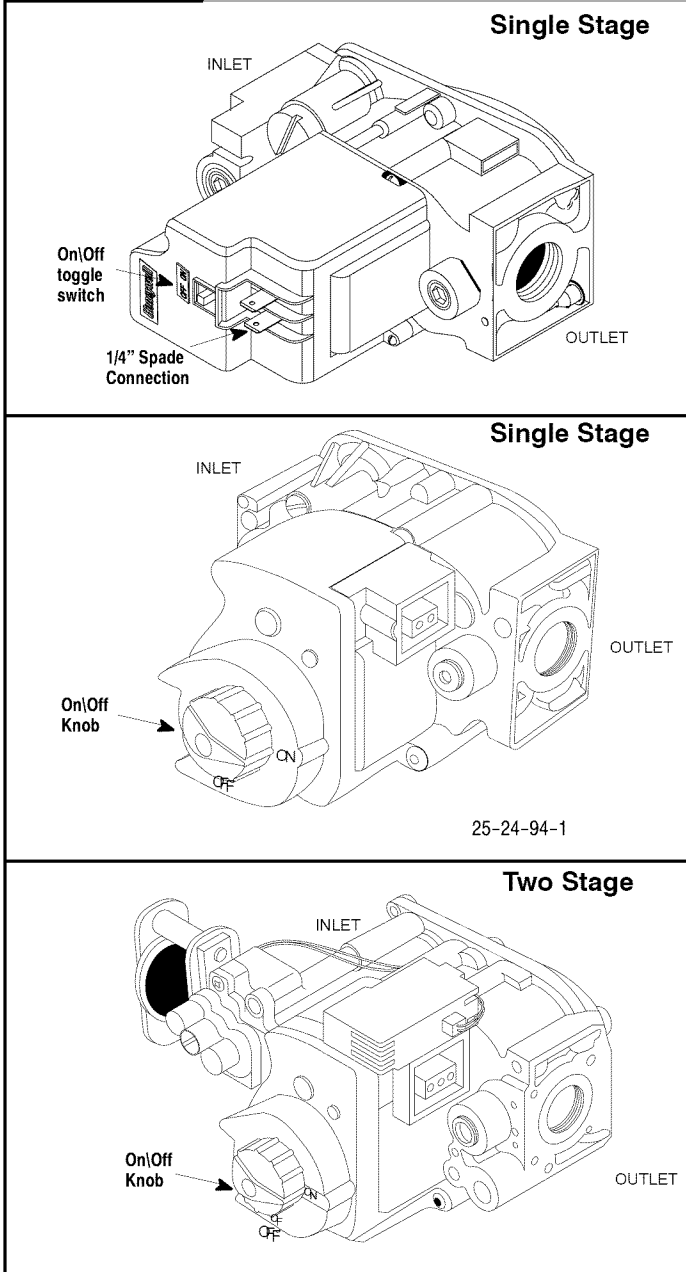
Your furnace is designed solely to provide a safe and comfortable living environment. The furnace is NOT designed to ensure that water pipes will not freeze. It is equipped with several safety devices that are designed to turn the furnace off and prevent it from restarting in the event of various potentially unsafe conditions.

If your furnace remains off for an extended time, the pipes in your home could freeze and burst, resulting in water damage.

If the structure will be unattended during cold weather, you should take these precautions.

1. Turn off the water supply to the structure and drain the water lines if possible and add an antifreeze for potable water to drain traps and toilet tanks. Open faucets in appropriate areas.

Figure 6 Honeywell Gas Control Valve



-or-

2. Have someone check the structure frequently during cold weather to make sure it is warm enough to prevent pipes from freezing. Instruct them to call a qualified service agency to call to provide service, if required.

-or-

3. Install a reliable remote sensing device that will notify somebody of freezing conditions within the home.

Winter Shutdown (90+ Furnaces)

If you go away during the winter months and do not leave the heat on in your home, the plastic transition box and the condensate trap on the furnace must be protected from freeze damage. (See Figure 3)

1. Disconnect the 1/2" (12.7mm) I.D. rubber hose from the vent drain fitting (or tee) that is located downstream of the com-

bustion blower. Insert a funnel into the hose and pour four (4) ounces of sanitary type (RV) antifreeze into the condensate trap. Reconnect the 1/2" (12.7mm) I.D. rubber hose to the stub on the vent drain fitting. Secure with the hose clamp.

2. Disconnect the 5/8" (15.9mm) I.D. rubber hose from the condensate trap. Insert a funnel into the hose and pour four (4) ounces of sanitary type (RV) antifreeze into the plastic transition box. Squeeze the hose together near the end and quickly reconnect the 5/8" (15.9mm) I.D. rubber hose to the stub on the condensate trap. Secure with the hose clamp.

When you return home, your furnace will be ready to start, as it is not necessary to drain the antifreeze from the furnace.

Furnace Maintenance

Have your furnace inspected and serviced on an annual basis (before the heating season) by a qualified service agency.

Labeling

⚠ WARNING

FIRE OR EXPLOSION HAZARD

Failure to follow this warning could cause improper and dangerous operation that could result in personal injury, death and/or property damage.

Label all wires prior to disconnection when servicing controls. Verify proper operation after servicing. Only qualified service agencies should attempt electrical service.

Pressure Switches

During regular yearly maintenance, check for cracks in any tubes on the pressure switches.

⚠ WARNING

ELECTRIC SHOCK HAZARD

Failure to follow this warning could result in personal injury or death.

Turn off electrical power to furnace before performing any maintenance or removing panels or doors.

Air Filters/Monthly

The air filter(s) should be inspected at least monthly and cleaned or replaced as required. There are many types of filters that are commonly used. Washable filters (constructed of aluminum mesh, foam, or reinforced fibers) may be cleaned by soaking in mild detergent and rinsing with water. The fiberglass disposable type should be **REPLACED** before it becomes clogged. Other filter types should be serviced in accordance with the manufacturer's recommendations.

Remember that dirty filters are the most common cause of inadequate heating or cooling performance.

Replacement Filters

If the filter is not located at or within the furnace, it should be located somewhere in the return-air duct system.

The recommended sizes and types of filters that may be used with your furnace are based on the furnace's heating gas input rate (and cooling system capacity, if so equipped).

Replacement filters should be of the same type and size as the original filters, to ensure adequate air flow and filtering. A disposable low velocity filter can be replaced with a washable high velocity type. Do not replace a high velocity filter with a disposable low velocity filter, except as permitted below.

If a cleanable (high-velocity) filter(s) is to be replaced with a disposable (low-velocity) filter(s), the airflow area of the filter(s) must be doubled (i.e., a second filter of the same size must be installed so that only half of the air goes through each filter). A second return-air duct to the furnace may be required in which to install the second filter. Modification of a furnace installation shall comply with the local installation code and the furnace installation instructions, and shall be made only by a Qualified Service Agency.

NOTE: Some filters are marked with an arrow to indicate the proper direction of air flow through the filter. The air flow direction will be towards the blower motor. Make sure filter is installed correctly.

Filter Replacement – Upflow

The filter may be installed inside the bottom of the furnace blower compartment, or the filter(s) rack may be installed under the furnace or on either or both sides of the furnace. A plastic end cap(s) is inserted in the filter rack(s) after the filter(s) is installed. The end cap keeps air from escaping around the open end of the filter rack. See **Figure 7** and **Figure 8** for side and bottom locations. Rack end cap is similar for bottom mounted filter rack.

Filter rack(s) attached to the outside of the furnace is made so the filter simply slides out one end for removal.

⚠ CAUTION

RISK OF REDUCED FURNACE LIFE

Failure to follow this warning could result in increase furnace operating temperatures and shorten the life of the furnace.

Filters specified for the furnace are rated at a maximum of 600 FPM air velocity and sized for the furnace's airflow rate. Replacement filters must be of equivalent type, size, and rating except as described below.

Disposable, low-velocity filters may be used to replace washable, high-velocity filters, providing they are sized for 300 FPM or less.

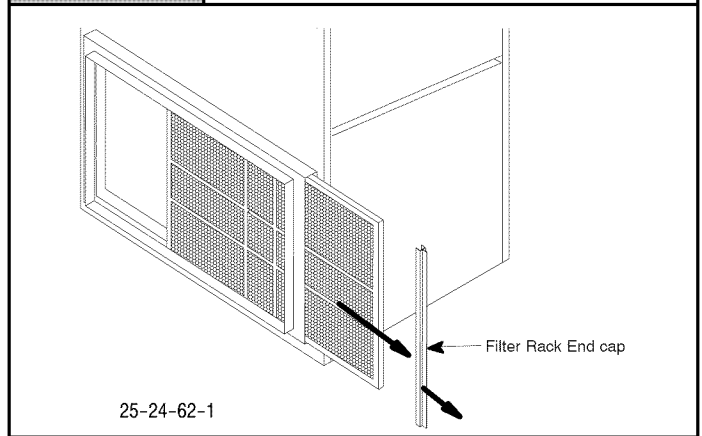
If you are uncertain of the type of replacement filter to use, consult the furnace installer or a qualified service agency for assistance.

Filter Replacement – Bottom or Side Mounted Filter Rack Outside Furnace

1. Turn **OFF** electric power to furnace.
2. Remove the end cap from the filter rack.
3. Slide the filter out of the filter rack. See **Figure 7**.
4. Inspect the filter(s) and replace or clean washable types. If filter is aluminum mesh it should be recoated with filter coating spray.
5. Reinstall the end cap in the filter rack.
6. Turn on electric power to furnace.

Figure 7

Filter Rack Outside Furnace

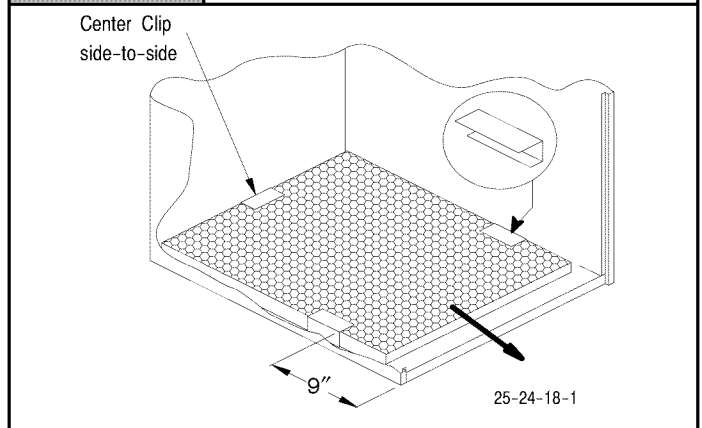


Filter Replacement – Bottom Mounted Filter Inside Furnace,

1. Turn off electric power to furnace.
2. Remove blower door.
3. Slide filter straight out toward you. See **Figure 8**.
4. Inspect the filter(s) and replace or clean washable types. If filter is aluminum mesh it should be recoated with filter coating spray.
5. Replace blower door.
6. Turn on electric power to furnace.

Figure 8

Bottom Mounted Filter Inside Furnace



Filter Replacement – Horizontal and Downflow *8MPN/L (Not *8DNL)

The filter may be installed at the inlet end of the blower compartment, either inside or outside the furnace. Side inlet filter locations are not permitted for horizontal or downflow applications.

Filter Replacement -- Downflow *8DNL

Two filters are supplied with all *8DNL downflow models. (See to **Figure 9**) Refer to note for proper size. The filters are installed through the top of the downflow furnace from the right side. To remove filter, refer to **Figure 9** for the following steps.

NOTE: Two 16" x 18" (406.4 x 457.2mm) cleanable high-velocity filters are recommended. A *8DNL downflow furnace with airflow up to 1200 cfm is permitted to replace the 16" x 18" (406.4 x 457.2mm) cleanable high-velocity filters with two 16" x 18" (406.4 x 457.2mm) disposable filters.

1. Turn **OFF** power to furnace.
2. Remove compartment door.
3. Reach up above right side of blower, and lift dirty filters out of rack at top of furnace.
4. Straighten up filters and pull straight down at side of blower. Pull out through right side of door opening.
5. Inspect the filter(s) and replace or clean washable types. If filter is aluminum mesh, it should be recoated with filter coating spray.
6. Reinstall the filters in the filter rack.
7. Reinstall blower compartment door.
8. Turn **ON** electric power to the furnace.

1. Turn **OFF** electric power to furnace.
2. Remove the end cap from the filter rack.
3. Slide the filter out of the filter rack.
4. Inspect the filter(s) and replace or clean washable types. If filter is aluminum mesh it should be recoated with filter coating spray.
5. Reinstall the end cap in the filter rack.
6. Turn furnace on.

Internally Mounted Filter

1. Turn **OFF** power to furnace.
2. Remove blower door.
3. Slide filter straight out toward you. (See **Figure 8**.)
4. Inspect the filter(s) and replace or clean washable types. If filter is aluminum mesh it should be recoated with filter coating spray.
5. Replace blower door
6. Turn on electric power to furnace.

Lubrication

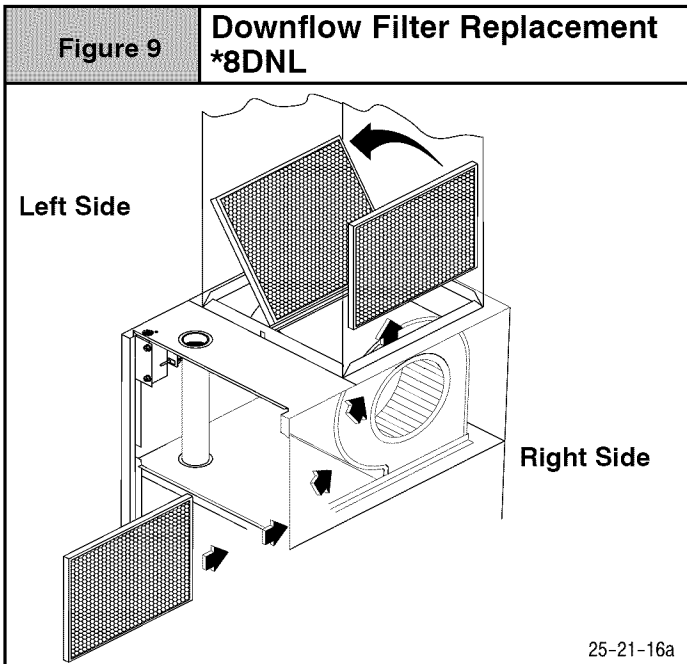
The blower motor and the combustion air blower are prelubricated by the manufacturer and **DO NOT** require oiling.

Qualified Service Agency Checks

When the furnace is being inspected for condition and operation have the Qualified Service Agency check the following items.

1. Check all flue gas passages including main and pilot burners, heat exchanger, and vent.
2. Check electrical wiring and connections.
3. Check supply and return air ducts for leakage, blockage and connections to furnace.
4. Check circulating air blower wheel and motor. Clean them if required.
5. Perform an operational checkout on the furnace to be sure safety controls function and that furnace operates properly.

For additional information, the Qualified Service Agency can consult the installation instructions for the furnace.



External Filter Rack

A plastic end cap is inserted in the filter rack after the filter is installed. The end cap keeps air from escaping around the open end of the filter rack. See **Figure 7** for removal of filter.

Filter racks attached to the furnace are made so the filter simply slides out one end for removal.

Nominal Air Flow Cubic Feet per Minute – CFM(L/s)	Recommended Filter Sizes	
	sq. in (sq. cm) Surface Area/Nominal Size – in(mm)	
	Disposable Filters	Cleanable Filters
800–900 (377.5–424.7)	500 (3225.8) or 20 x 25 (508 x 635) – 1 Req.	350 (2258.1) or 14 x 25 (355.6 x 635) – 1 Req.
1100–1300 (519.1–613.5)	350 (2258.1) or 14 x 25 (355.6 x 635) – 2 Req.	350 (2258.1) or 14 x 25 (355.6 x 635) – 1 Req.
1300–1500 (613.5–707.9)	400 (2580.6) or 16 x 18 (406.4 x 457.2) – 2 Req.	400 (2580.6) or 16 x 18 (406.4 x 457.2) – 1 Req.
1500–1700 (707.9–802.3)	500 (3225.8) or 20 x 25 (508 x 635) – 2 Req.	500 (3225.8) or 20 x 25 (508 x 635) – 1 Req.
1900–2100 (896.6–991)	600 (3871) or 20 x 30 (508 x 762) – 2 Req.	500 (3225.8) or 20 x 25 (508 x 635) – 1 Req.
2300–2500 (1085.4–1179.8)	600 (3871) or (508 x 762) – 2 Req.	720 (4645) or 24 x 30 (609.6 x 762) – 1 Req.