



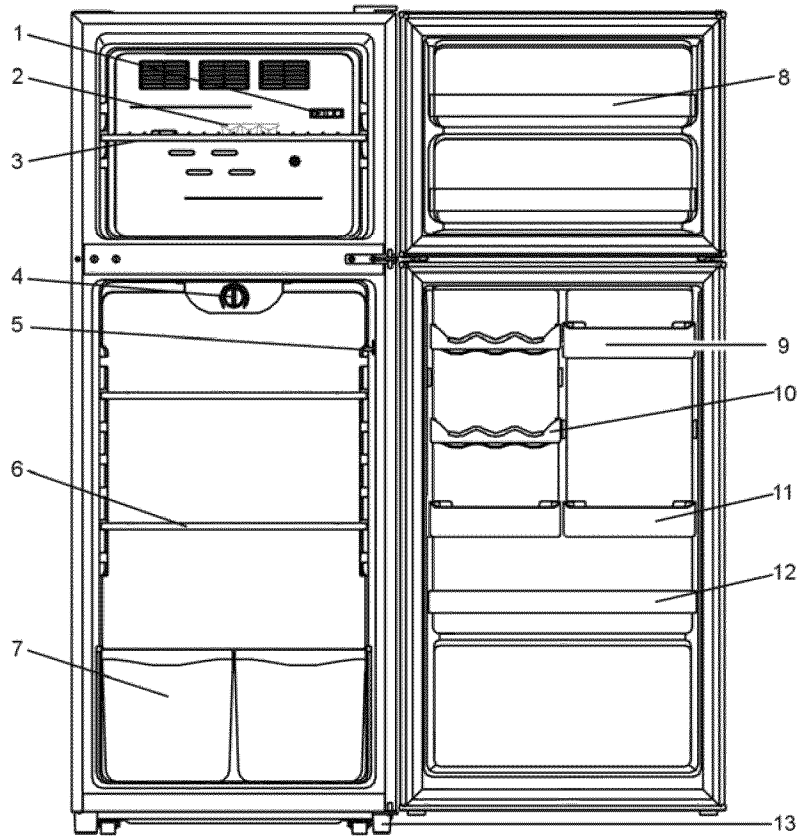
Use & Care Manual

Model: MCBR1020W

Structure Illustration.....	2
Important Safety Instructions.....	3
Installation Instructions.....	3
Operating Your Refrigerator.....	4-5
Freezer Compartment Operation.....	5
Care & Maintenance.....	6
Changing the Reversible Door.....	7-8
Trouble Shooting Guide.....	9
Warranty.....	10

**READ AND FOLLOW THESE INSTRUCTIONS
BEFORE OPERATING THIS APPLIANCE.**

Structure Illustration



- 1. Freezer control knob
- 2. Ice Tray
- 3. Freezer compartment shelf
- 4. Refrigerator control knob
- 5. Lamp switch
- 6. Refrigerator compartment shelf
- 7. Crisper

- 8. Freezer door rail
- 9. Bottle Rack (Small)
- 10. Can Dispenser
- 11. Gallon Bin
- 12. Bottle rack (Large)
- 13. Adjustable feet

Important Safety Instructions



WARNING

To reduce the risk of fire, electrical shock, or injury follow these basic precautions when using your refrigerator.

- **DANGER:** Risk of child entrapment. To avoid the possibility of child entrapment, please take the following precautions before you dispose of your refrigerator.
 - Remove all doors.
 - Leave shelves in place so children may not easily climb in.
 - Never allow children to play with, operate, or crawl inside the refrigerator.
- Do not store or use gasoline or any flammable vapors and liquids in the vicinity of this refrigerator.
- All refrigeration products contain refrigerants, which under the guidelines of federal law must be removed before disposal. It is the consumer's responsibility to comply with federal and local regulations when disposing of this product.

Installation Instructions

Before Using Your Refrigerator

- Remove the exterior and interior packing.
- Before connecting the refrigerator to the power source, let it stand upright for approximately 4 hours. This will reduce the possibility of a malfunction in the cooling system from improper handling during transportation.
- Clean the interior surface with lukewarm water using a soft cloth. (Cleaning instructions on page 6)

Location

- Do not recess or build-in. This appliance is designed to be free standing only.
- Allow 5 inches clearance space between the back and sides of the refrigerator, which allows the proper air ventilation.
- **Avoid Installation:**
 - On weak surfaces unable to support refrigerator when fully loaded.
 - In direct sunlight and sources of heat (stove, heater, radiator, etc.). Ambient temperature below 50°F or above 85°F will hinder the performance of this appliance.
 - In moist areas.
 - In garage. **This unit is not designed for any type of outside installation.**
 - In moving vehicle. **This unit is not designed to be installed in an RV or used with an inverter. This unit is intended for household use only.**

Installing Your Refrigerator

- Adjust the leveling feet to keep the refrigerator level.
- Plug the refrigerator into dedicated, properly installed-grounded wall outlet. Do not under any circumstances cut or remove the third (ground) prong from the power cord.
- After plugging the appliance into a wall outlet, turn the unit on and allow the unit to cool down for 24 hours before placing food in the refrigerator or freezer compartment.

Electrical Connection



Improper use of the grounded plug can result in the risk of electrical shock. If the power cord is damaged, have it replaced by an authorized service center.

This refrigerator should be properly grounded for your safety. The power cord of this refrigerator is equipped with a three-prong plug which mates with standard three prong wall outlets to minimize the possibility of electrical shock.

Do not, under any circumstances, cut or remove the third ground prong from the power cord supplied.

This refrigerator requires a standard 115/120 Volt A.C. ~/60Hz electrical outlet with three-prong ground.

This refrigerator is not designed to be used with an inverter.

The cord should be secured behind the refrigerator and not left exposed or dangling to prevent accidental injury.

Never unplug the refrigerator by pulling the power cord. Always grip the plug firmly and pull straight out from the receptacle.

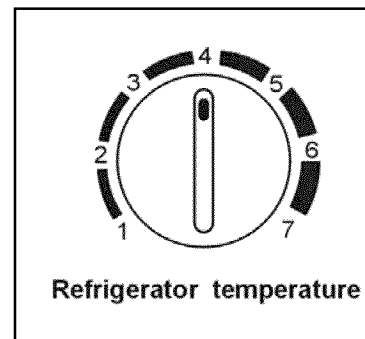
Do not use an extension cord with this appliance. If the power cord is too short, have a qualified electrician or service technician install an outlet near the appliance. Use of an extension cord can negatively affect the performance of the unit.

If any problems with the appliance persist, please contact our Customer Service Department to consult with a representative at (888) 775-0202 or visit our website to request warranty service at www.mcappliance.com.

Operating Your Refrigerator

Temperature Control

The temperature control is located inside the refrigerator compartment. The refrigerator compartment temperature control ranges from the warmest position "1" to the coldest position "7". The first time you turn the unit on, adjust the temperature control knob to a higher number and run for at least 24 hours before putting food inside. This will ensure the cabinet is thoroughly chilled before food is inserted.



If you choose to change the thermostat setting, adjust the thermostat by one increment at a time. After each movement of the control knob, allow several hours for the unit to adjust completely. Large amounts of food may lower the cooling efficiency of the appliance.

NOTE

If the unit is unplugged or loses power; you must wait 3 to 5 minutes before restarting the unit. If you attempt to restart before this time delay, the refrigerator may not start.

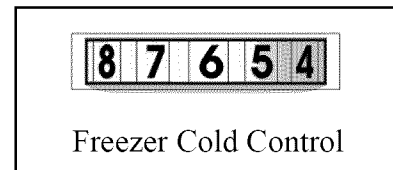
Replacing the Interior Light

Unplug the electrical cord from the wall outlet. Failure to do so may result in electrical shock or personal injury. Replace the old bulb with a bulb of the same wattage.

Freezer Compartment Operation

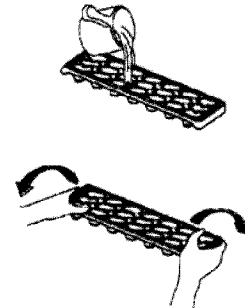
Temperature Control

Your refrigerator has one control for regulating the temperature in the freezer compartment. The temperature control is located on the right side of the freezer compartment's interior back panel. For the best performance, leave the freezer control at the midpoint. The range of the freezer temperature control is from position "1" the warmest to "8" the coldest. Please adjust the freezer control one increment at a time until the desired temperature is reached.



Ice Tray

To make ice, pour cool water into ice tray and place it in the freezer for two hours. To release ice cubes, twist the ice tray and the ice cubes will separate from the ice tray. To shorten the time of making ice, you can set the temperature control knob at a colder position.



NOTE

Do not store canned foods or food stored in glass containers in the freezer compartment.

The Freezer Compartment

This compartment is designed for the long-term storage of frozen food. The storage life of frozen foods varies and the recommended storage time should not be exceeded. Place frozen food into the freezer as quickly as possible after purchase. If there are instructions on the packet, carefully follow these instructions regarding storage times.

Care and Maintenance

Cleaning Your Refrigerator

- Disconnect the electrical unit from the wall outlet.
- Clean interior and parts with a cloth soaked in lukewarm water and baking soda solution. A solution of 2 tablespoons baking soda to a quart of water will clean and neutralize odors. Rinse and wipe dry.
- Be sure to keep the door gasket (seal) clean to keep the unit running efficiently.
- The outside of the refrigerator should be cleaned with a warm damp cloth and mild detergent. Do not use harsh or abrasive cleaners.
- Never clean refrigerator parts with flammable fluids. The fumes can create a fire hazard.

Vacation Time

- For long vacations, remove all food. Then, unplug the electrical cord from the wall outlet.
- Clean the interior and leave doors open to avoid possible odor or mold formation.
- Use extreme caution in the case of children. The unit should not be accessible to child's play.

Moving Your Refrigerator

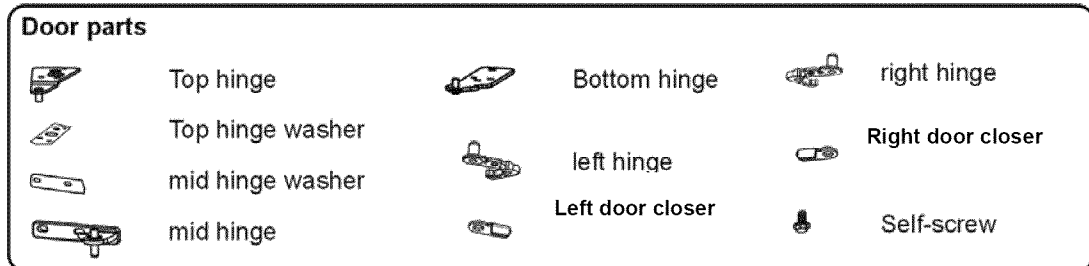
- Disconnect the electrical cord from the wall outlet.
- Remove all the food and securely tape down all loose items such as shelves, drawers, and doors.
- Be sure the refrigerator stays in the upright position during transportation.

Energy Saving Tips

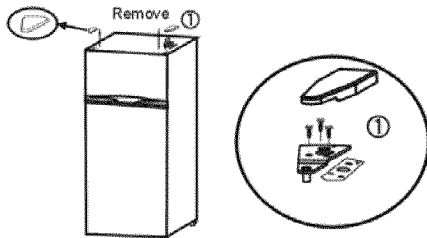
- The refrigerator should be located in the coolest area of the room, away from heat producing appliances or heating ducts, and out of the direct sunlight.
- Let hot foods cool to room temperature before placing in the refrigerator.
- Be sure to wrap foods properly, and wipe containers dry before placing them in the refrigerator. This cuts down on frost build-up inside the refrigerator.
- Organize and label food to reduce door openings and extended searches

Changing the Reversible Door

Before reversing the door swing, ensure the appliance is unplugged and empty. Provide additional support for the doors while hinges are being removed. Do not depend on the door magnets to hold the door in place. It is recommended that two people perform this task. DO NOT lay the appliance completely flat as this may damage the coolant system.

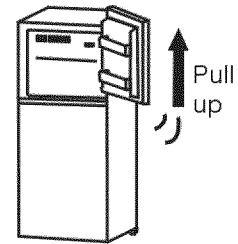


Step 1



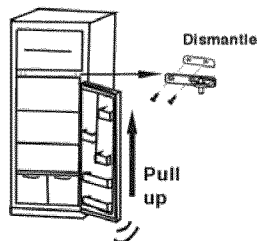
Remove the hinge cover. Unscrew and remove the top hinge.

Step 2



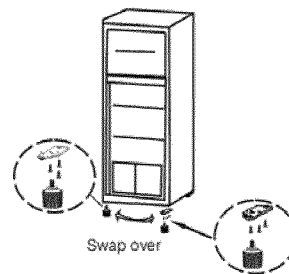
Lift the freezer door up and away from the appliance.

Step 3



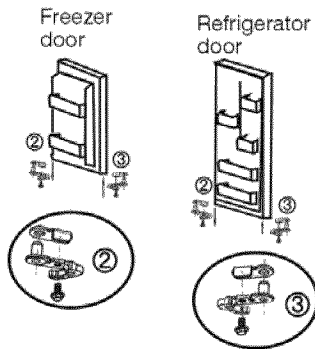
Remove the screws from the middle hinge. Lift the refrigerator door up and away from the appliance.

Step 4



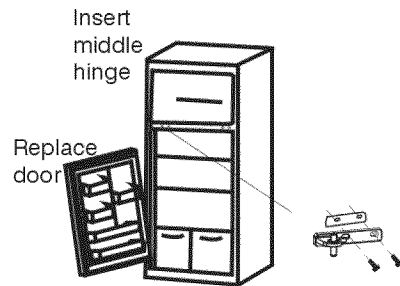
Remove the bottom hinge by removing the leveling leg and screws on the bottom of the refrigerator cabinet. To reattach the hinge on the opposite side of the cabinet, first remove the leveling leg. Reattach the hinge using the screws that were previously removed. Reattach both leveling legs.

Step 5



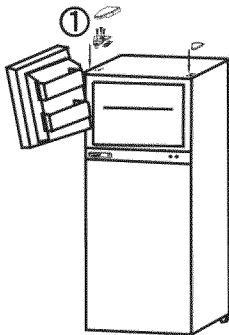
Remove the pin assembly from the bottom of the freezer and refrigerator doors. On the opposite side, attach the replacement pin assembly (located in the plastic bag with the Use and Care Manual) with a screwdriver. Note: You must re-use the screw from the pin assembly that is removed in this step when attaching the new assembly.

Step 6



Place the refrigerator door on the bottom hinge. Ensure the door is aligned horizontally and vertically, and that the gasket seals on all sides before attaching the middle hinge. Attach the middle hinge using a screwdriver.

Step 7



Place the freezer door on the middle hinge. Ensure that the door is aligned horizontally and vertically, and that the gasket seals on all sides before attaching the top hinge. Attach the top hinge and replace the hinge cover.

Troubleshooting Guide

You can solve many common refrigerator problems easily, saving you the cost of a possible service call. Try the suggestions below to see if you can solve the problem before calling for service.

Problem

Refrigerator does not operate

Possible Causes

- Refrigerator is unplugged.
- The circuit breaker is tripped/ fuse blown.

Compressor turns on and off

- The room temperature is warmer than normal
- Door is left open or is frequently opened.
- The refrigerator does not have the correct clearances.
- The refrigerator has recently been disconnected for a period of time.

Refrigerator compartments are too warm

- Temperature control is not set correctly.
- Door is left open or is frequently opened.
- The door gasket does not seal properly.
- A large amount of warm or hot food was stored recently. Wait for the refrigerator to reach its selected temperature.
- The refrigerator has recently been disconnected for a period of time.

Vibrating or rattling (slight vibration is normal)

- Leveling legs need adjusting
- Refrigerator is placed on an uneven or weak surface.
- The refrigerator is touching the wall. Re-level the refrigerator and move it away from the wall.

Temperature of external refrigerator surface is warm

- The exterior refrigerator walls can be as much as 30°F warmer than room temperature.
- This is normal while the compressor works to transfer heat from inside the refrigerator cabinet.

Moisture collects inside the refrigerator

- Door is left open or is frequently opened.

Moisture forms on outside of refrigerator

- Is normal in hot and humid weather. Air carries moisture into the refrigerator when doors are opened.

Bubbling or gurgling sounds (like boiling water)

- This is the normal sound of refrigerant (used to cool refrigerator) circulating throughout the system.

Popping or cracking sounds when compressor comes on

- This is normal. Metal parts undergo expansion and contraction, like hot water pipes. The sound will level off or disappear as refrigerator runs.

The door will not close properly

- The refrigerator is not on a level surface.
- The gasket is dirty.
- The storage basket is out of position.



Refrigerator Warranty

MC Appliance Corporation warrants each new refrigerator to be free from defects in material and workmanship and agrees to remedy any such defect or to furnish a new part(s) (at the company's option) for any part(s) of the unit that has failed during the warranty period. Parts and labor expenses are covered on this unit for a period of one year after the date of purchase. In addition, **MC Appliance Corporation** warrants the compressor (parts only) to be free from defects in material and workmanship for a period of 5 years. The consumer is responsible for all labor and transportation expenses related to the diagnosis and replacement of the compressor after the initial one-year warranty expires. **A copy of the dated sales receipt / invoice is required to receive warranty service or a refund.**

This warranty covers appliances in use within the continental United States, Puerto Rico and Hawaii. The warranty does not cover the following:

- Damages due to shipping damage or improper installation.
- Damages due to misuse or abuse.
- Content losses due to failure of the unit.
- Inside components such as door panels, door shelves, racks, light bulbs, etc.
- Punctures to the evaporator system due to improper defrosting of the unit.
- Repairs performed by unauthorized service agents.
- Service calls that do not involve defects in material and workmanship such as instruction on proper use of the product, door reversal or improper installation.
- Replacement or resetting of house fuses or circuit breakers.
- Failure of this product if used for other than for its intended purpose.
- Disposal costs for any failed unit not returned to our factory.
- Any delivery costs incurred as the result of a unit that fails to perform as specified.
- Expenses for travel and transportation for product service if your appliance is located in a remote area where service by an authorized service technician is not available.
- The removal and reinstallation of your appliance if it is installed in an inaccessible location or is not installed in accordance with published installation instructions.

This warranty is in lieu of all warranties expressed or implied and no representative or person is authorized to assume for us any other liability in connection with the sale of this product. Under no circumstances is the consumer permitted to return this unit to the factory without prior written consent from MC Appliance Corporation.

Model	Parts & Labor	Compressor (Part Only)	Type of Service
MCBR1020W	One-Year	Five -Years	In-Home

For Service or Assistance please call **888 775-0202**. Or visit us on the web at www.mcappliance.com to request warranty service.