

Save This Manual
For Future Reference

SEARS

owner's
manual

Model No.
113.244580

Two Wheel
9 Inch Band Saw

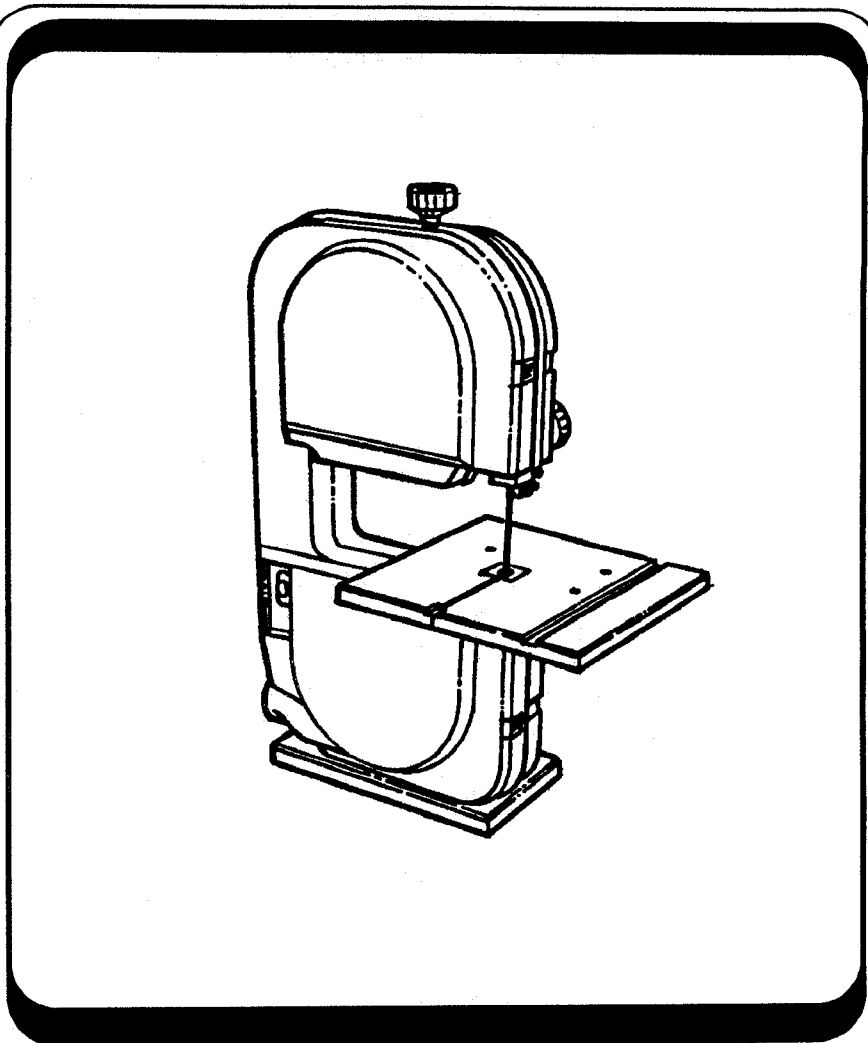
Serial
Number _____

Model and serial numbers
may be found at the rear of
the base.

You should record both
model and serial number in
a safe place for future use.

**FOR YOUR
SAFETY**

**READ ALL
INSTRUCTIONS
CAREFULLY**



SEARS / CRAFTSMAN

TWO WHEEL 9 INCH BAND SAW

- assembly
- operating
- repair parts

Sears, Roebuck and Co., Hoffman Estates, IL. 60179 U.S.A.

FULL ONE YEAR WARRANTY ON CRAFTSMAN BAND SAW

If within one year from the date of purchase, this Craftsman Band Saw fails due to a defect in material or workmanship, Sears will repair it, free of charge.

WARRANTY SERVICE IS AVAILABLE BY SIMPLY CONTACTING THE NEAREST SEARS SERVICE CENTER/DEPARTMENT THROUGHOUT THE UNITED STATES.

This warranty applies only while this product is used in the United States.

This warranty gives you specific legal rights, and you may also have other rights which vary from state to state.

Sears, Roebuck and Co., D/817 WA Hoffman Estates, IL 60179

Safety Instructions For Band Saw

Safety Signal Words:

DANGER: means if the safety information is not followed someone **will** be seriously injured or killed.

WARNING: means if the safety information is not followed someone **could** be seriously injured or killed.

CAUTION: means if the safety information is not followed someone **may** be injured.

Before Using The Saw:

WARNING: to avoid mistakes that could cause serious, permanent injury, do not plug the saw in until the following steps have been completed.

- Completely assemble and align saw (see "Assembly" and "Alignment" section within).
- Learn the use and function of the ON-OFF switch, table bevel and bevel lock knob, blade guides, backup bearings and blade guard.
- Review and understand all safety instructions and operating procedures in this manual.
- Review the maintenance methods for this saw.
- Find and read all the warning labels found on the front of the saw (shown below).

When Installing or Moving the Saw:

Avoid dangerous environment.

- Use the saw in a dry, indoor place protected from rain.
- Keep work area well lighted.

To avoid injury from unexpected saw movement.

- Put the saw on a firm level surface where there is plenty of room to handle and properly support the workpiece.
- Support the saw so the table is level and the saw does not rock.

- Bolt the saw to the floor or work surface. Saw may slip, walk or slide while cutting long or heavy boards.
- Turn saw off and unplug cord before moving the saw.

To avoid injury from electrical shock.

- Make sure your fingers do not touch the plug's metal prongs when plugging in or unplugging the saw.
- **Never stand on tool.** Serious injury could occur if the tool tips or you accidentally hit the cutting tool. Do not store any items above or near the tool where anyone might stand on the tool to reach them.

Before Each Use:

Inspect your saw.

- To avoid injury from accidental starting, turn the switch off, unplug the saw, and remove the switch key before changing the setup, removing covers, guards or blade.
- Check for alignment of moving parts, binding of moving parts, breakage of parts, saw stability, and any other conditions that may affect the way the saw works.
- If any part is missing, bent or broken in any way, or any electrical part does not work properly, turn the saw off and unplug the saw.
- Replace damaged or missing parts before using the saw again.
- Maintain tools with care. Keep the saw clean for best and safest performance. Follow instructions for lubricating.
- Remove adjusting keys and wrenches. Form a habit of checking for and removing keys and adjusting wrenches from table top before turning it on.



WARNING / ADVERTENCIA

1. Read manual before using saw.
2. Wear safety goggles that meet ANSI Z87.1 Standards. (CSA Z94-3-M88)
3. Be sure blade is installed with teeth pointing down.
4. Keep fingers away from the moving blade.
5. Do not remove jammed or cutoff pieces until blade has stopped.
6. Maintain proper adjustment of blade tension, blade guides and thrust bearings.
7. Adjust upper guide to just clear the wood.
8. Hold workpiece firmly against the table.
9. Turn power off and wait for blade to stop before adjusting or servicing.

1. Leer el manual antes de usar la sierra.
2. Usar gafas de seguridad que cumplan las Normas ANSI Z87.1 (CSA Z94-3-M88)
3. Asegurarse de que la hoja esté instalada con los dientes orientados hacia abajo.
4. Mantener los dedos alejados de la hoja en movimiento.
5. No quitar los pedazos atascados o cortados hasta que la hoja se haya detenido.
6. Mantener un ajuste adecuado de la tensión de la hoja, las guías de la hoja y los cojinetes de empuje.
7. Ajustar la guía superior para que quede muy cerca de la madera pero sin tocarla.
8. Sujetar la pieza de trabajo firmemente contra la mesa.
9. Apagar la sierra y esperar a que la hoja se detenga antes de realizar ajustes y reparaciones.

To avoid injury from jams, slips, thrown pieces or broken blades.

Inspect your blade.

- Choose the right blade size, style and cutting speed for the material and the type of cutting you plan to do.
- Use only recommended accessories. Consult this owners manual for recommended accessories. Follow the instructions that come with the accessories. The use of improper accessories may cause risk of injury to persons.
- Make sure the blade teeth point downward, toward the table.
- Make sure the blade guides and thrust bearings are properly adjusted.
- Make sure the blade tension is properly adjusted.
- Make sure the bevel clamp is tight and no parts have excessive play.
- To avoid accidental blade contact, minimize blade breakage and provide maximum blade support, always adjust the upper blade guide and blade guard to just clear the workpiece.

Inspect your work area.

- Keep work area clean.
- Cluttered areas and benches invite accidents. Floor must not be slippery from wax or sawdust.
- To avoid burns or other fire damage, never use the saw near flammable liquids, vapors or gases.

Plan Your Work.

- Use the right tool. Don't force tool or attachment to do a job it was not designed to do.
- Use this band saw to cut only wood, wood like products and plastics.

CAUTION: To avoid blade breakage, fire or other damage to the saw, never use this band saw to cut metals.

- To avoid injury from accidental contact with moving parts, don't do layout, assembly, or set up work on the saw while any parts are moving.
- Avoid accidental starting. Make sure switch is "OFF" before plugging saw into a power outlet.
- Plan ahead to protect your eyes, hands, face and ears.

Dress for safety

- Any power saw can throw foreign objects into the eyes. This can cause permanent eye damage. Wear safety goggles (not glasses) that comply with ANSI Z87.1 (shown on package). Everyday eyeglasses have only impact resistance lenses. They are not safety glasses. Safety goggles are available at Sears retail stores. Glasses or goggles not in compliance with ANSI Z87.1 could seriously hurt you when they break.



- Do not wear loose clothing, gloves, neckties or jewelry (rings, wrist watches). They can get caught and draw you into moving parts.
- Wear nonslip footwear.
- Tie back long hair.
- Roll long sleeves above the elbow.
- Noise levels vary widely. To avoid possible hearing damage, wear ear plugs or muffs when using saw for hours at a time.
- For dusty operations, wear a dust mask along with the safety goggles.

Inspect your workpiece.

Make sure there are no nails or foreign objects in the part of the workpiece to be cut.

Use extra caution with large, very small or awkward workpieces:

- Use extra supports (tables, saw horses, blocks, etc.) for any workpieces large enough to tip when not held down to the table top.
- **Never** use another person as a substitute for a table extension, or as additional support for a workpiece that is longer or wider than the basic saw table, or to help feed, support or pull the workpiece.
- When cutting irregularly shaped workpieces, plan your work so it will not slip and pinch the blade. A piece of molding for example, must lie flat or be held by a fixture or jig that will not let it twist, rock or slip while being cut.
- Properly support round material such as dowel rods, or tubing. They tend to roll during a cut, causing the blade to "bite". To avoid this, always use a "V" block or clamp the work to the miter gage.
- Cut only one workpiece at a time.
- Clear everything except the workpiece and related support devices off the table before turning the saw on.

Plan the Way You Will Hold the Workpiece From Start To Finish.

- Do not hand hold pieces so small that your fingers will go under the blade guard. Use jigs or fixtures to hold the work and keep your hands away from the blade.
- Secure work. Use clamps to hold work when practical. It's often safer than using your hand, and frees both hands to operate the tool.
- Don't overreach. Keep good footing and balance.

Safety Instructions for Band Saws (continued)

Whenever Sawblade Is Moving:

WARNING: Don't let familiarity (gained from frequent use of your band saw) cause a careless mistake. Always remember that a careless fraction of a second is enough to cause a severe injury.

- Before starting your cut, watch the saw while it runs. If it makes an unfamiliar noise or vibrates a lot, stop immediately. Turn the saw off. Unplug the saw. Do not restart until finding and correcting the problem.
- Before removing loose pieces from the table, turn saw off and wait for all moving parts to stop.

Keep Children Away.

- Keep all visitors a safe distance from the band saw.
- Make sure bystanders are clear of the band saw and workpiece.

Don't Force Tool.

- Let the blade reach full speed before cutting.
- It will do the job better and safer at its designed rate.
- Feed the workpiece into the saw only fast enough to let the blade cut without bogging down or binding.

Before freeing jammed material.

- Turn switch "OFF".
- Unplug the saw.

- Wait for all moving parts to stop.
- Remove switch key.

When backing up the workpiece, the blade may bind in the kerf (cut). This is usually caused by sawdust clogging up the kerf or because the blade comes out of the guides. If this happens:

- Turn saw "OFF".
- Wait for all moving parts to stop.
- Remove switch key.
- Unplug the saw.
- Remove band saw cover.
- Stick flat blade screwdriver or wedge into the kerf.
- Turn the upper wheel by hand while backing up the workpiece.

Before Leaving the Saw.

- Turn the saw off.
- Wait for all moving parts to stop.
- Unplug the saw.
- Make workshop child-proof.
 - Lock the shop.
 - Disconnect master switches.
 - Remove the yellow switch key. Store it away from children and others not qualified to use the tool.

Glossary Of Terms For Woodworking

Beveling

An angle cutting operation made through the face of the workpiece.

Compound Cutting

A simultaneous bevel and miter crosscutting operation.

Crosscut

A cutting operation made across the width of the workpiece.

FPM

Feet per minute. Used in reference to surface speed of blade.

Freehand (as used for band saw)

Performing a cut without the workpiece properly supported on the work table.

Gum

A sticky, sap based residue from wood products.

Kerf

The material removed by the blade in a through cut or the slot produced by the blade in a nonthrough or partial cut.

Leading End

The end of the workpiece which, is pushed into the cutting tool first.

Mitering

An angle cutting operation made across the width of the workpiece.

Push Stick

A device used to feed the workpiece through the saw during narrow ripping type operations and helps keep the operator's hands well away from the blade.

Resaw

A cutting operation to reduce the thickness of the workpiece to make thinner pieces.

Resin

A sticky, sap based substance that has dried.

Ripping

A cutting operation along the length of the workpiece.

Sawblade Path

The area of the worktable or workpiece directly in line with the saw blade.

Set

The distance the tip of the sawblade tooth is bent outward from the face of the blade.

Trailing End

The workpiece end last cut by the blade.

Workpiece

The item on which the cutting operation is being performed. The surfaces of a workpiece are commonly referred to as faces, ends, and edges.

Worktable

The surface on which the workpiece rests while performing a cutting or sanding operation.

Motor Specifications and Electrical Requirements

Power Supply and Motor Specifications

The A-C motor used in this saw is non-reversible type, having the following specifications:

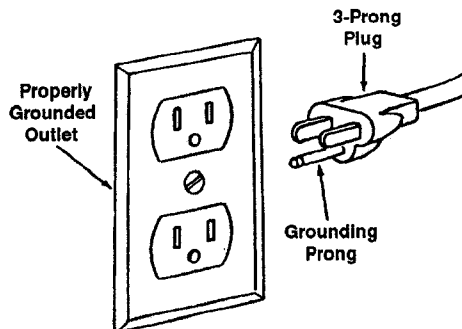
Maximum Developed H.P.	1/3
Voltage	120
Amperes	2.5
Hertz (Cycles)	60
Phase	Single
RPM	1750
Rotation of Shaft	Counterclockwise

WARNING: To avoid electrocution: Do not let fingers touch the terminals of plugs when installing or removing the plug to or from the outlet.

WARNING: If not properly grounded, this power tool can cause an electrical shock, particularly when used in damp locations close to plumbing. If an electrical shock occurs there is the potential of a secondary hazard, such as your hands contacting the sawblade.

WARNING: To avoid electrocution or fire, if power cord is torn or cut, or damaged in any way, have it replaced immediately.

Your unit is for use on 120 volts, and has a plug that looks like the one below.

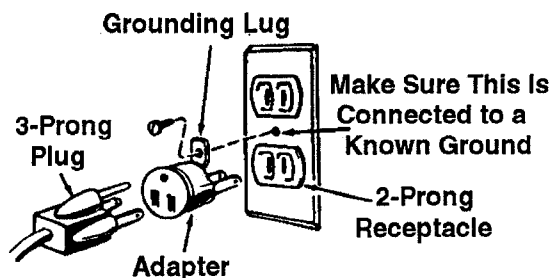


This power tool is equipped with a 3-conductor cord and grounding type plug listed by Underwriters' Laboratories. The ground conductor has a green jacket and is attached to the motor at one end and to the ground prong in the attachment plug at the other end. If repair or replacement of the electric cord or plug is necessary, do not connect the equipment grounding conductor to a live terminal.

This plug requires a mating 3-conductor grounding type outlet as shown. This outlet must be installed and grounded in accordance with all local codes and ordinances.

WARNING: To avoid electrocution, if the outlet you are planning to use for this power tool is of the two prong type, Do Not Remove Or Alter The Grounding Prong In Any Manner. Use an adapter as shown below and always connect the grounding lug to a known ground.

It is recommended that you have a qualified electrician replace the Two prong outlet with a properly grounded Three prong outlet.



An adapter, as illustrated, is available for connecting plugs to 2-prong receptacles.

WARNING: The green grounding lug extending from the adapter must be connected to a permanent ground such as to a properly grounded outlet box. Not all outlet boxes are properly grounded.

If the grounding instructions are not completely understood or if you are not sure that your tool or outlet box is properly grounded, check with a qualified electrician.

NOTE: The adapter illustrated is for use only if you already have a properly grounded 2-prong receptacle.

Motor Safety Protection

NOTE: To avoid motor damage this motor should be blown out or vacuumed frequently to keep sawdust from interfering with normal motor ventilation.

1. This tool should be connected to a 120v, 15 amp branch circuit with a 15 amp fuse or circuit breaker. Failure to use the proper size fuse can result in damage to the motor.
2. If the motor fails to start, turn the power switch to the "OFF" position immediately. Unplug the tool. Check the sawblade to make sure it turns freely. If the blade is free, try to start the motor again. If the motor still does not start, refer to the "Motor Troubleshooting Chart".
3. If the motor suddenly stalls while cutting wood, turn the power switch off, unplug the tool and free the blade from the wood. The motor may now be restarted and the cut finished.
4. Frequent "blowing" of fuses or tripping of circuit breakers may result if:
 - a. Motor is overloaded - Overloading can occur if you feed too rapidly.
 - b. Low Voltage - Although the motor is designed for operation on the voltage and frequency specified on the motor nameplate, normal loads will be handled safely on voltages not more than 10% above or below the nameplate voltage. Heavy loads, however, require voltage at motor terminals equals the voltage specified on nameplate.
 - c. Improper or dull blades are used.

Motor Specifications and Electrical Requirements (continued)

5. Motor troubles may be traced to loose or incorrect connections, overload, reduced input voltage (such as small size wire in the supply circuit) or to overly long supply circuit wire. Always check the connections, the load and the supply circuit whenever motor fails to perform satisfactorily. Check wire size and length with the Wire Size Chart as follows.

Wire Sizes

NOTE: Make sure the proper extension cord is used and is in good condition.

The use of any extension cord will cause some loss of power. To keep this to a minimum and to prevent over-

heating and motor burn-out, use the table below to determine the minimum wire size (A.W.G.) extension cord. Use only 3-wire extension cords that have 3-prong grounding type plugs and 3-pole receptacles which accepts the tools plug.

Extension Cord Length	A.W.G.
110-120V	
0 - 25 Ft.	18
26 - 50 Ft.	16

Table of Contents

Safety Instructions For Band Saw	2	Mounting the Band Saw	14
Safety Signal Words:	2	Mounting Band Saw to Workbench	14
Before Using The Saw:	2	Clamping Band Saw to Workbench	15
When Installing or Moving the Saw:	2	Mounting Band Saw to Accessory Legset	
Before Each Use:	2	Cat. No. 9-22244	15
Plan Your Work	3	Legset Mounting Holes for Band Saw	15
Dress for safety	3	Getting to Know Your Band Saw	16-17
Plan the Way You Will Hold the Workpiece From		Safety Instructions for Basic Band Saw Operation	18
Start To Finish	3	Before Using the Saw:	18
Whenever Sawblade is Moving	4	When Installing or Moving the Saw:	18
Before Leaving the Saw	4	Before Each Use:	18
Glossary Of Terms For Woodworking	4	Plan Your Work	18
Motor Specifications and Electrical Requirements	5	Dress For Safety	19
Power Supply and Motor Specifications	5	Plan the Way You Will Hold the Workpiece From	
Motor Safety Protection	5	Start To Finish	19
Wire Sizes	6	Whenever Sawblade is Moving	19
Table of Contents	6	Before Leaving the Saw	19
Unpacking and Checking Contents	7	Basic Band Saw Operations	20
Tools Needed	7	General Cutting	20
Unpacking	7	Circle Cutting	20
List of Loose Parts	8	Relief Cuts	20
Assembly	9	Maintenance	21
Installing the Table	9	Tires	21
Installing the Blade	10	General Maintenance	21
Alignment (Adjustments)	11	Motor	21
Tensioning the Blade	11	Lubrication	21
Tracking the Blade	11	Sears Recommends the Following Accessories	21
Adjusting Upper Blade Guard Assembly	12	Troubleshooting	22
Aligning the Table Square to the Blade	12	General	22
Adjusting the Blade Guides and Back-Up Bearing ..	13	Motor	23
Adjusting Motor Belt Tension	14	Repair Parts	24

Unpacking and Checking Contents

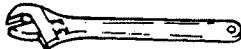
Tools Needed

Tools required for assembly and alignment:

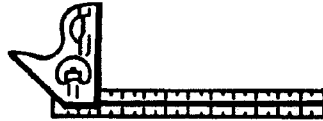
- #2 Phillips screwdriver
- Adjustable wrench.
- Combination Square



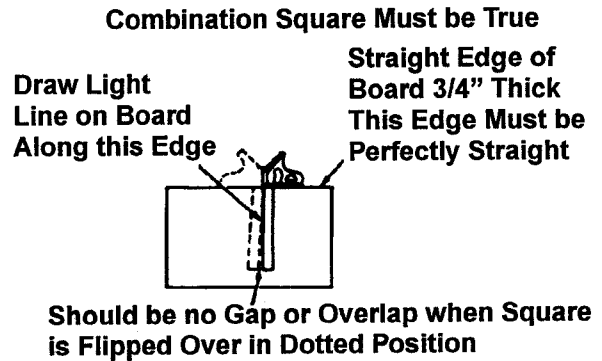
#2 Phillips Screwdriver



6" Adjustable Wrench



Combination Square



Unpacking

WARNING: To avoid injury from unexpected starting or electrical shock, do not plug the saw in until all assembly and alignment steps are complete. The power cord must remain unplugged whenever you are working on the saw.

Unpacking and Checking Contents

1. Separate all "loose parts" from packaging materials and check each item with "Table of Loose Parts" to make sure all items are accounted for, before discarding any packing material.

WARNING: If any parts are missing, do not attempt to assemble the band saw, plug in the power cord, or turn the switch on until the missing parts are obtained and are installed correctly.

2. Sometimes small parts get lost in packaging materials. Do not throw away any packaging until your saw is put together. If you are missing a part, check packaging before contacting Sears.

Unpacking and Checking Contents (continued)

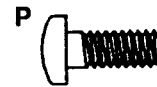
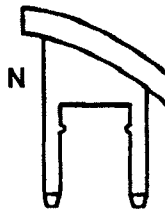
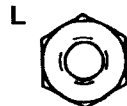
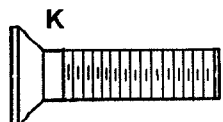
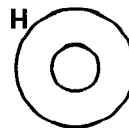
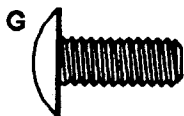
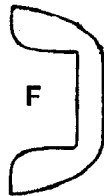
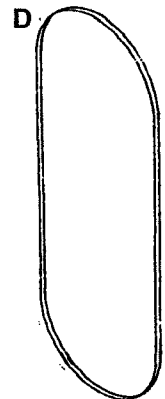
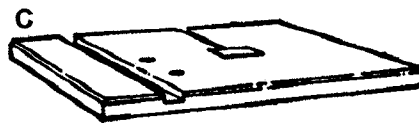
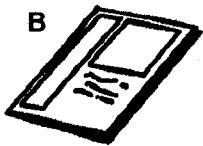
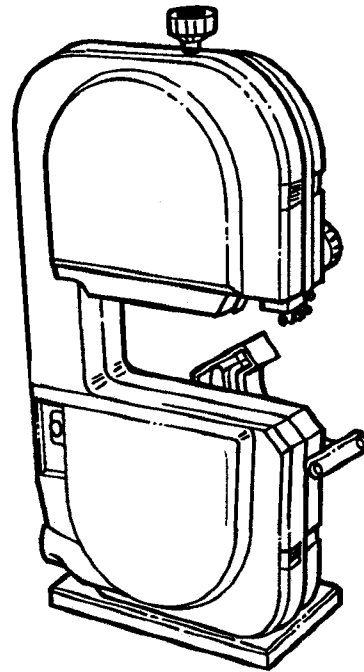
List of Loose Parts

NOTE: Before beginning assembly, check that all parts are included. If you are missing any part, do not assemble the saw. Contact your Sears Service Center to get the missing part. Sometimes small parts can get lost in packaging material. Do not throw away any packaging until saw is put together. Check packaging for missing parts before contacting Sears. A complete parts list "Repair Parts" is at the end of the manual. Use the list to identify the number of the missing part.

The following parts are included:

Item	Description	Qty.
A	Basic Saw Assembly.....	1
B	Owners Manual.....	1
C	Saw Table Assembly.....	1
D	Blade.....	1
E	Loose Parts Bag.....	1
	Containing the following parts:	
F	Wing Nut 1/4-20.....	1
G	Screw, Truss Hd. 1/4-20 x 3/4.....	1
H	Washer 1/4.....	1
J	Wrench, 1/8" Hex "L".....	1
K	Screw, Flat head 1/4-20 x 7/8.....	3
L	Nut hex 1/4-20.....	3
M	Lockwasher 1/4.....	3
N	Key Switch.....	1
P	Screw 3/16-24 x 3/8.....	1
R	Indicator.....	1

A

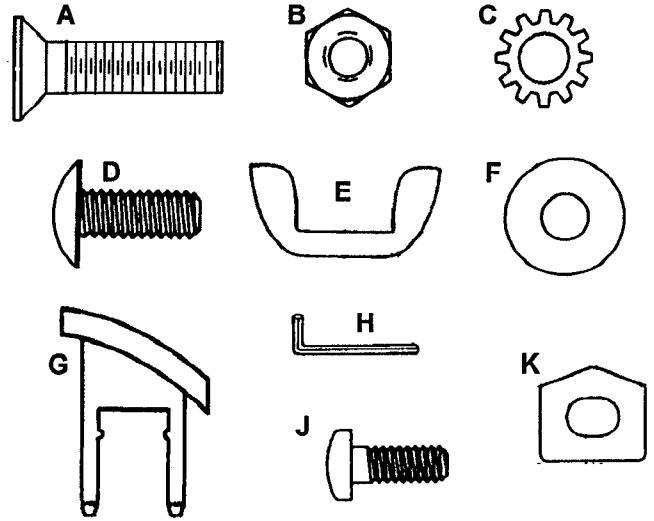


Assembly

WARNING: For your own safety, never connect plug to power source outlet until all assembly steps are complete, and you have read and understood the safety and operational instructions.

From the loose parts find the following items:

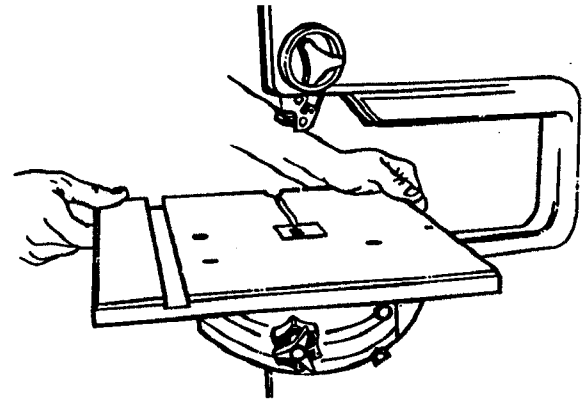
Item No.	Description	Qty
A	1/4-20 x 7/8" Flat head screws	3
B	1/4-20 Hex nuts	3
C	1/4 Lockwasher	3
D	1/4-20 x 3/4 Truss head screw	1
E	1/4-20 Wing nut	1
F	1/4 Washer	1
G	Switch Key	1
H	1/8" Hex "L" Wrench	1
J	3/16-24 x 3/8 Screw	1
K	Indicator	1
L	Table w/Insert (not pictured)	1
M	Sawblade (not pictured)	1



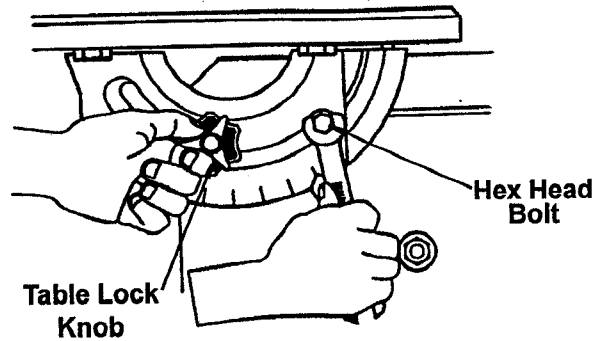
Installing the Table

Get table from among loose parts.

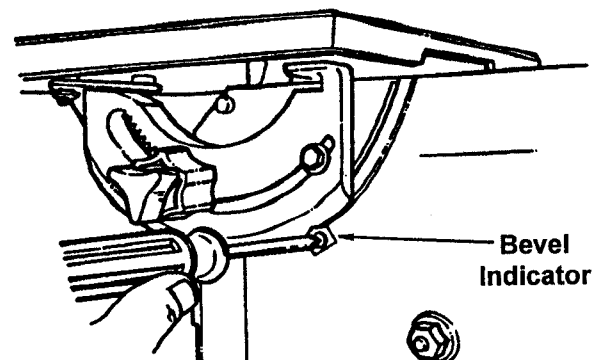
- Place table with insert onto trunnion and align holes in the table to those in the trunnion. Use the three 1/4-20 flat head screws, three 1/4 lockwashers and the three 1/4-20 hex nuts to secure table. Tighten nuts with an open end or an adjustable wrench.



- Loosen the table lock knob and turn the table tilt knob to change the angle of the table. If the table is loose or too tight, adjust the hex head bolt with an open end or an adjustable wrench until firm, smooth table tilt operation is achieved.



- Assemble the bevel indicator to the saw frame using the 3/16-24 x 3/8 screw.

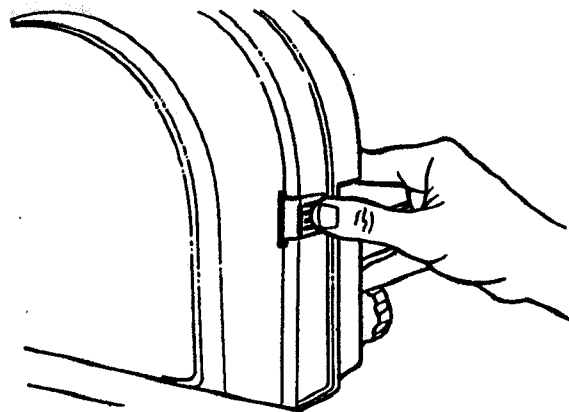


Assembly (continued)

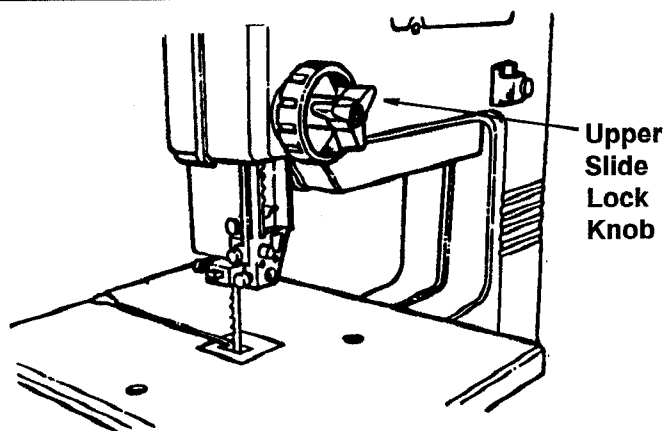
Installing the Blade

WARNING: Turn off saw, remove switch key and unplug saw before removing or installing blade.

1. Open front cover by pushing in upper and lower latches.



2. Loosen the upper slide lock knob and position the blade guard/guide assembly about half way between the table and the frame. Tighten the lock knob.



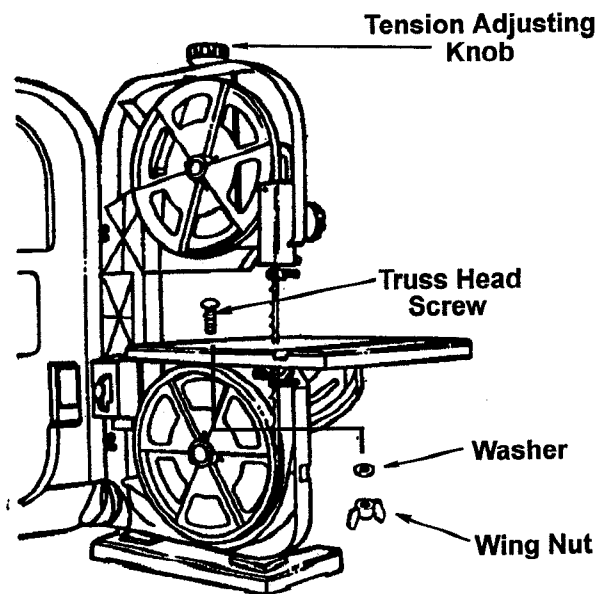
CAUTION: To avoid serious eye injury or scrapes, if the blade should suddenly uncoil, wear safety goggles. Carefully uncoil the blade holding it at arms length.

3. Uncoil the blade.
4. Slide the blade into the slot of the table with the teeth facing toward front of saw and down toward the table.
5. Place the blade on both wheels. Center the blade on the rubber tires.

NOTE: If the blade will not reach around both wheels, lower the upper wheel by turning the tension adjustment knob counterclockwise.

NOTE: Close the band saw cover after blade is properly installed.

6. Assemble the truss head screw, washer and wing nut to the table. The washer and wing nut are positioned below the table.



Alignment (Adjustments)

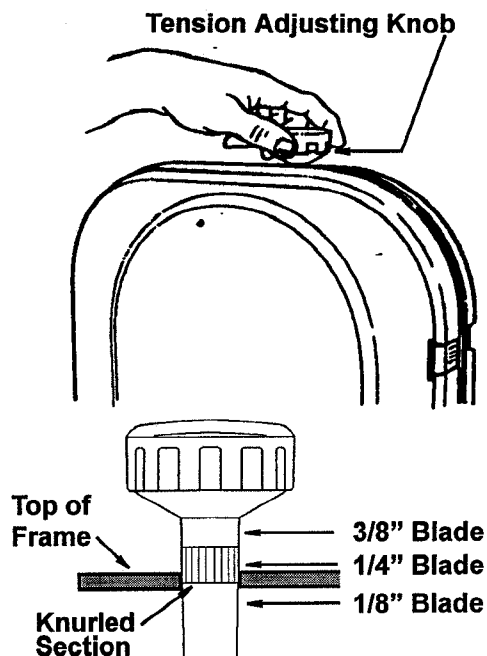
Tensioning the Blade

WARNING: Cut material can be thrown. Eyes can be permanently damaged. Wear your safety goggles.

WARNING: Turn off saw, remove switch key and unplug before adjusting.

1. Turn blade tension adjusting knob clockwise until the proper section of knob stem is aligned with top of band saw frame. See illustration for blade size and "Alignment" section.

NOTE: Be careful not to overtension the blade. Too much tension may tend to cause blade breakage. Too little tension may cause the blade to slip on the wheels. The tension adjusting knob has a knurled section on it. These adjustment areas are approximate and may change slightly depending on actual blade length.



Tracking the Blade

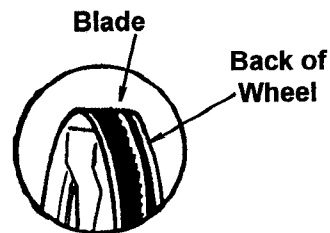
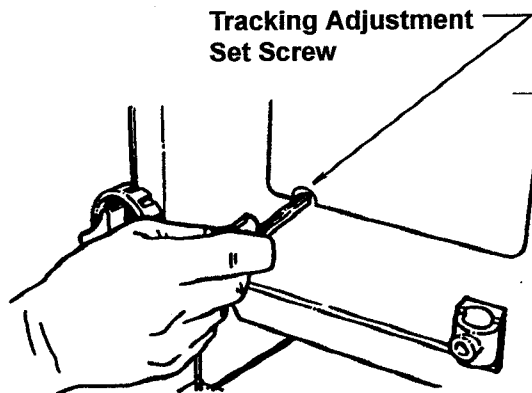
WARNING: Turn off saw, remove switch key and unplug before adjusting.

NOTE: Blade tension must be properly adjusted before tracking the blade.

1. Open the cover and slowly turn the upper wheel clockwise by hand and watch the blade on the upper tire. If the blade moves away from the center of the tire the tracking must be adjusted.
2. Insert the 1/8" hex wrench into the tracking adjustment screw located on the back of the saw behind the upper wheel.
 - a. If the blade moved toward the front of the saw turn the adjustment screw in (clockwise) while turning the wheel by hand, until the blade rides in the center of the tire.
 - b. If the blade moved away from the front of the saw, turn the adjustment screw out (counterclockwise) while turning the wheel by hand, until the blade rides in the center of the tire.
3. Check the position of the blade on the lower tire. The blade should be completely on the tire. If not, adjust the tracking until the blade is on both tires.
4. Rotate the upper wheel by hand in a clockwise direction for a few more turns. Make sure the blade stays in the same location on the tires. Readjust if necessary, until blade is tracking properly.

NOTE: The 1/8" blade may not track properly in the center of the wheel. It may be better to track this blade on the back half of the upper wheel. (See Illustration)

5. Replace hex wrench in holder located on the inside of the front cover. Close cover making sure the upper and lower latches catch.



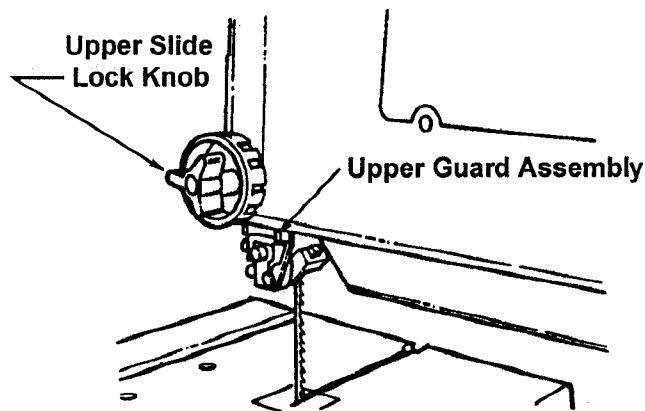
1/8" Blade on Back Half Of Upper Wheel

Alignment (Adjustments) (continued)

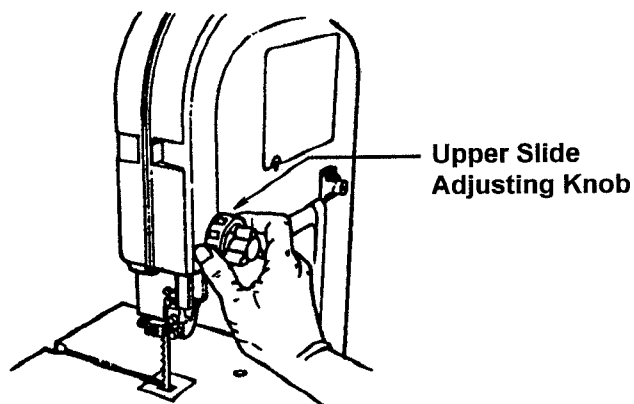
Adjusting Upper Blade Guard Assembly

The upper blade guard assembly should always be set about 1/8" above or as close as possible to the top surface of the workpiece being cut.

1. Loosen the upper slide lock knob.



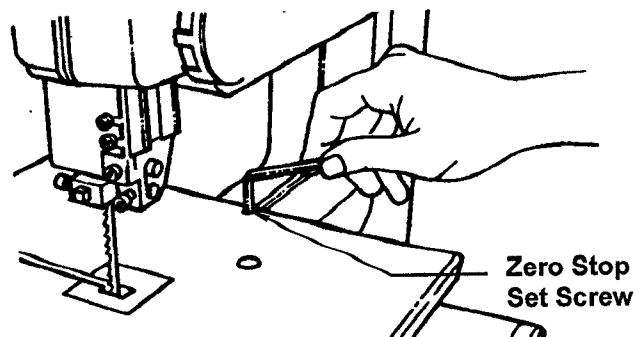
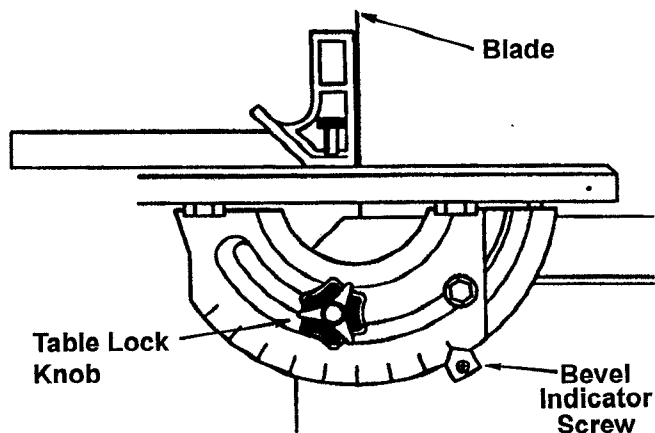
2. Rotate the upper slide adjusting knob to position the guard assembly to the desired position.
3. Tighten the upper slide lock knob.



Aligning the Table Square to the Blade

WARNING: Turn off saw, remove switch key and unplug before adjusting.

1. Loosen the upper slide lock knob and position the guide assembly all the way up. Tighten the lock knob.
2. Loosen table lock knob.
3. Place a small square on the table beside the blade as illustrated.
4. Holding the left edge of the table (near the zero stop set screw), tilt the table up or down to align table 90° to blade (0° position). Tighten lock knob.
5. Adjust the zero stop set screw using the 1/8" hex wrench until the set screw just touches the frame.
6. Check squareness of blade to table. Make readjustments if necessary.
7. Check table bevel indicator for accuracy. Loosen screw and adjust if necessary. Retighten screw.



Adjusting the Blade Guides and Back-Up Bearing

WARNING: Turn off saw, remove switch key and unplug before making any adjustments.

NOTE: The upper and lower blade guides and back-up bearings support the band saw blade during cutting operations. The adjustment of the guides and bearings should be checked whenever a different blade is installed.

1. Adjust the position of the blade guide support housings. Loosen the upper blade guide support housing cap screw using a 1/8 Hex "L" wrench.
2. Slide the upper blade guide support housing on the shaft until the front edge of the blade guides are about 1/32" behind the gullet of the blade. Tighten the cap screw.
3. Repeat for the lower blade guide support housing. (You may need to adjust the blade tracking before making this adjustment.)

NOTE: If the front face of the blade guides are not 1/32" behind the gullet of the blade the blade teeth will hit the blade guides and this will ruin the blade. Proper adjustment of the upper and lower blade guide support housings will prevent this from happening.

3. Adjust the blade guides. Loosen the two cap screws that lock the upper blade guides into the housing and press the two guides evenly against the sides of the blade but do not pinch the blade. Release the guides and rotate the upper wheel slightly clockwise moving the blade downward. Make sure one guide is not further away from the blade than the other. Tighten both cap screws.

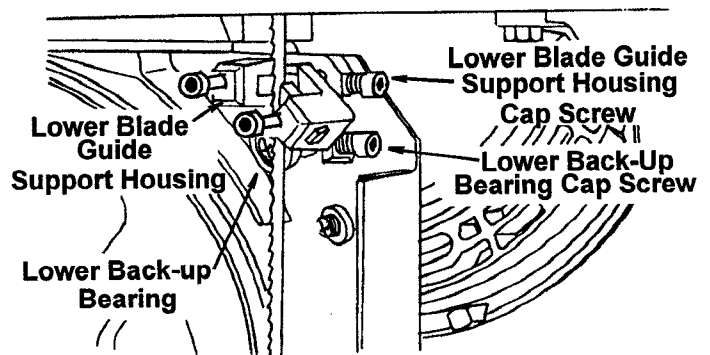
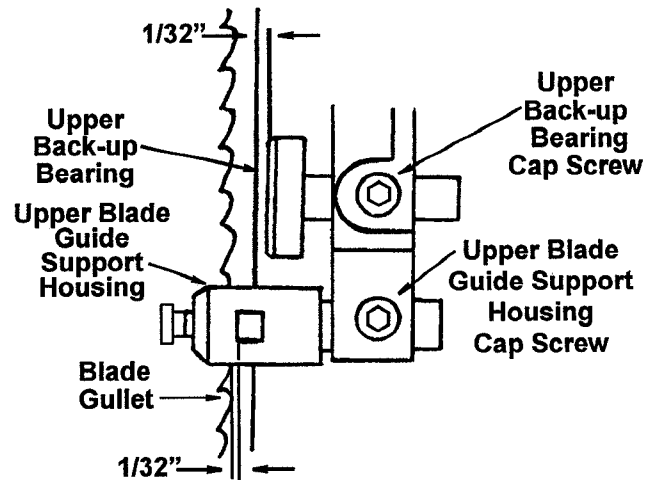
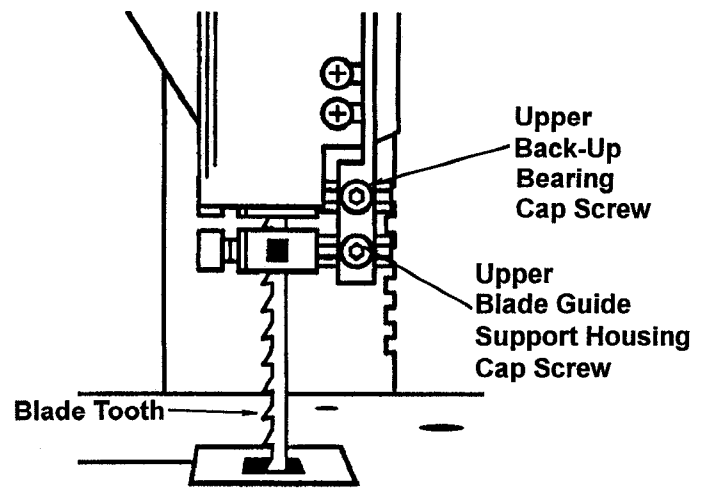
4. Repeat on the lower blade guides.

NOTE: Ideally, the space between the blade and the guides should be approximately the thickness of a dollar bill. This will provide maximum blade support and control during cutting operations

5. Adjust the upper and lower back-up bearings. Loosen the back up bearing cap screw using a 1/8" Hex "L" wrench.

6. Move the back-up bearings to within 1/32" or less of the back edge of the blade.

NOTE: The back-up bearing is used to support the back edge of the blade while cutting. The blade should just barely contact the bearings when you stop cutting.



Alignment (Adjustments) (continued)

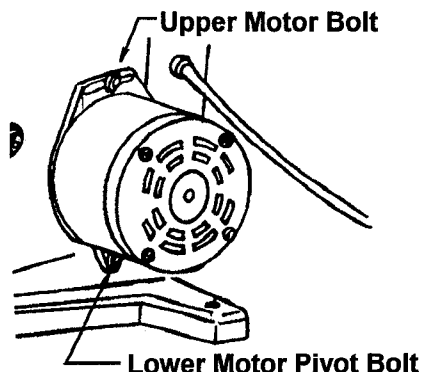
Adjusting Motor Belt Tension

WARNING: Turn off saw, remove switch key and unplug before making any adjustments.

1. Test for proper belt tension. Open front cover. Rotate lower wheel so you can access both sides of the motor pulley. Place your thumb and index finger over the outside of the belt. Squeeze the two sides of the belt together. There should be about 1/4" of give to the belt.

NOTE: Excessive tightness of belt may cause increased noise and overload motor. Excessive looseness of belt may cause belt to fail prematurely.

2. If adjustment is necessary, loosen the upper motor bolt and lower motor pivot bolt. Move the motor to correct the belt tension. Retighten both motor bolts.
3. Recheck belt tension and readjust as necessary. Close the front cover of saw when procedure is completed.



Mounting the Band Saw

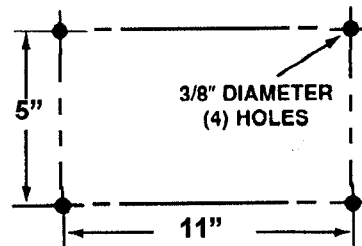
Mounting Band Saw to Workbench

If band saw is to be used in a permanent location, it should be fastened securely to a firm supporting surface such as a workbench.

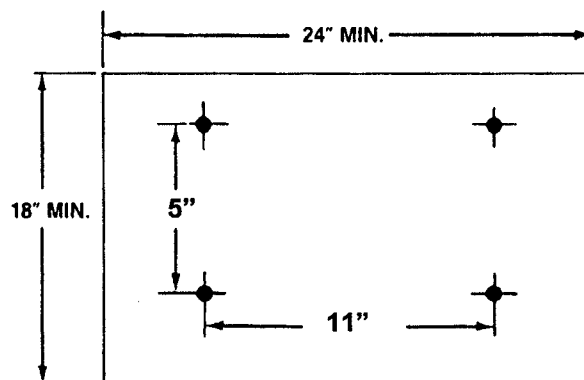
If mounting to a workbench, holes should be drilled through supporting surface of the workbench using dimensions illustrated.

1. Each leg should be bolted securely using 5/16" diameter machine screws, lockwashers, and 5/16" hex nuts (not included). Screw length should be 1-3/4" plus the thickness of the bench top.
2. Locate and mark the holes where band saw is to be mounted.
3. Drill (4) 3/8" diameter holes through workbench.
4. Place band saw on workbench aligning holes in feet with holes drilled in workbench.
5. Install all four 5/16" screws, lockwashers and nuts and tighten.

NOTE: All bolts should be inserted from the top. Install the washers and nuts from the underside of the bench.



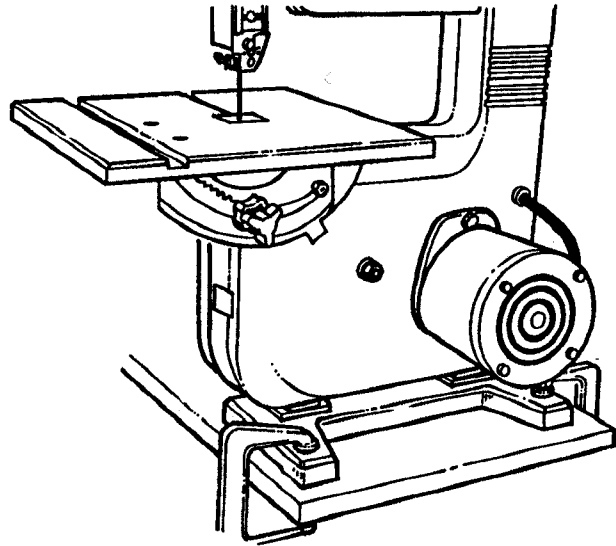
An alternate method of mounting is to fasten band saw to a mounting board. The board should be of sufficient size to avoid tipping of saw while in use. Any good grade of plywood or chipboard with a 3/4" minimum thickness is recommended. (Thinner chipboard can break.) Once the saw is mounted, securely clamp the board to the workbench using "C" clamps.



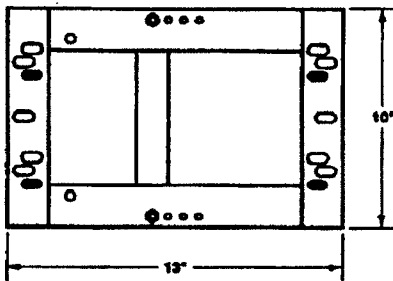
WARNING: Supporting surface where band saw is mounted should be examined carefully after mounting to insure that no movement during use can result. If any tipping or walking is noted, secure workbench or supporting surface before operating band saw.

Clamping Band Saw to Workbench

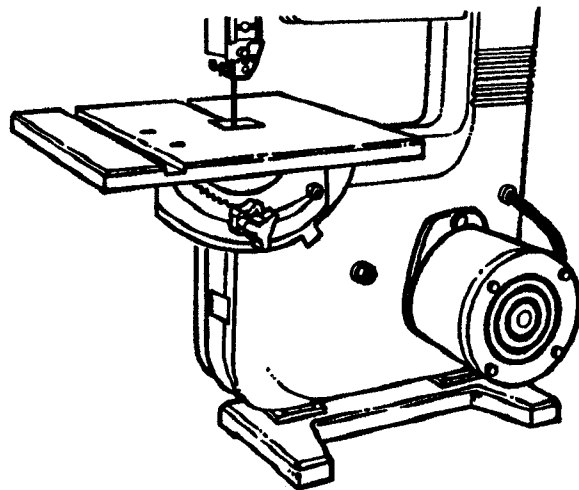
The band saw can be clamped directly to a workbench using two (2) or more "C" clamps on base of unit.



Mounting Band Saw to Accessory Legset Cat. No. 9-22244



Attach to holes indicated by "■"



Legset Mounting Holes for Band Saw

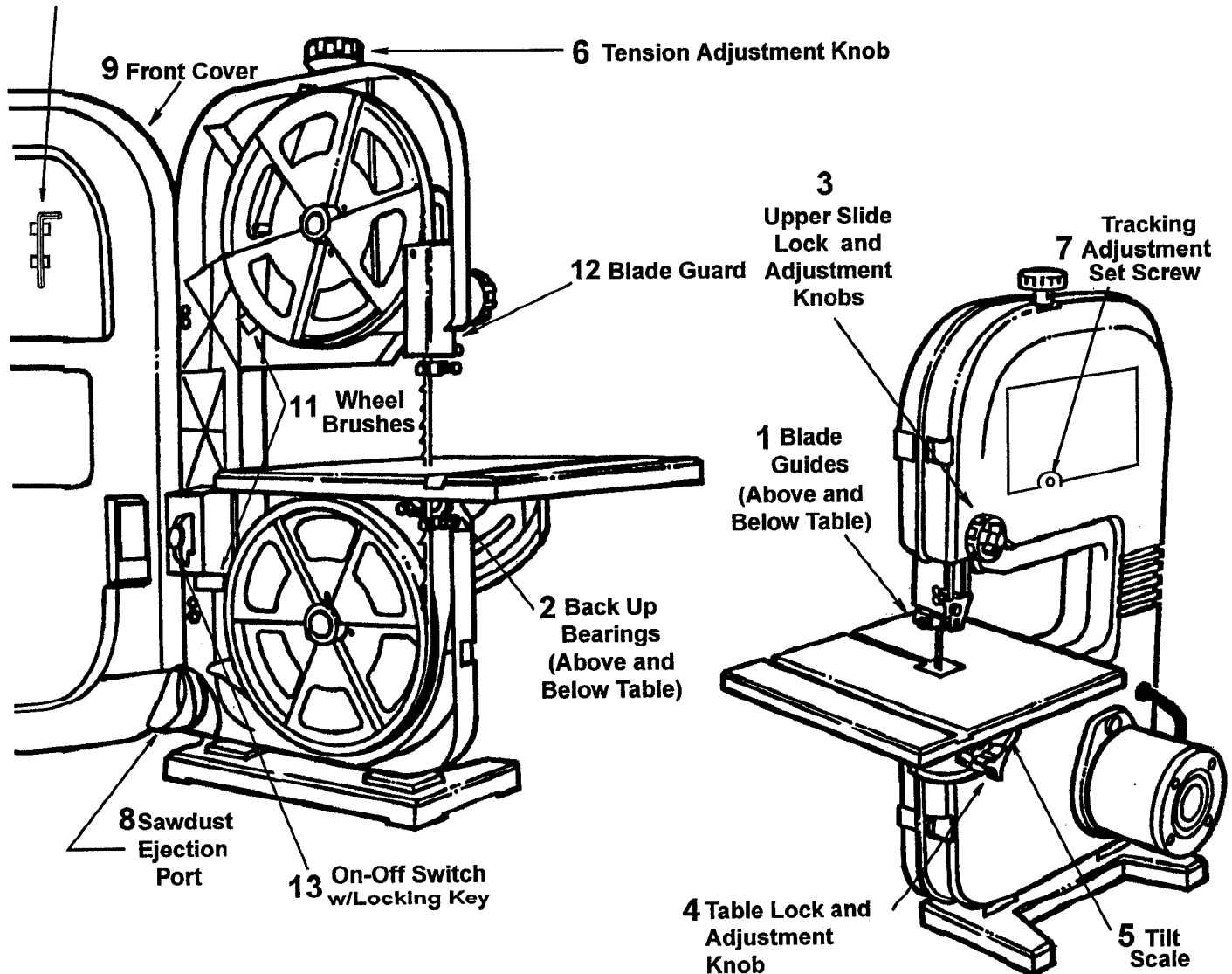
Recommended mounting hardware (not included)

Description	Qty
5/16-18 x 1-1/2 hex hd. bolts.....	4
5/16 flat washers.....	4
5/16 lockwashers.....	4
5/16-18 hex nuts.....	4

Getting to Know Your Band Saw

1. **Blade Guides** - Supports the blade and keeps it from twisting during operation. An adjustment is necessary when blades are changed or replaced.
2. **Back up bearings** support the back of blade
3. **Upper Slide Lock and Adjustment Knobs** - Loosen outer knob to unlock. Turn inner knob to adjust. Retighten outer knob to lock upper blade guard/slide in place. The upper blade guide assembly should just clear the workpiece while cutting. Always adjust the upper guide assembly and lock by tightening the upper slide lock knob before turning on the band saw.
4. **Table Lock and Adjustment Knobs** - Loosen outer knob to unlock. Turn inner knob to adjust. Retighten outer knob to lock table in place.
5. **Tilt (Bevel) Scale** - Shows degree table is tilted for bevel cutting.
6. **Tension Adjustment Knob** - Controls the amount of blade tension when changing blades.
7. **Tracking Adjustment Set Screw** - Adjust to Keep blade running in center of wheels.
8. **Sawdust Ejection Port** - Sawdust is eliminated from inside machine. Also, makes an excellent hook-up for a Wet/Dry vac.
9. **Front cover** may be opened for making adjustments to machine.
10. **Wrench Holder** - Keeps 1/8" hex "L" wrench conveniently stored for blade guide and tracking adjustments.
11. **Wheel Brushes** - Cleans dust from wheels during operation.
12. **Blade Guard** - The blade guard protects the operator from contacting the blade. The blade guard should be adjusted as close as possible to the top of the workpiece.

10 Wrench Holder



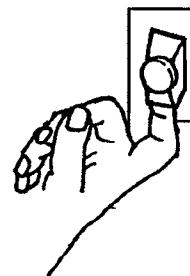
13. **On-Off Switch** - The On-Off switch has a locking feature. This feature is intended to help prevent unauthorized and possible hazardous use by children and others.

1. To turn band saw "On" insert key into switch.

NOTE: Key is made of yellow plastic, located in loose parts bag.

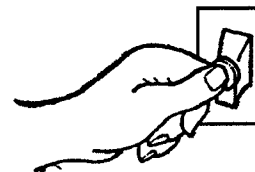


2. Insert finger under switch lever and **Pull** end of switch out.



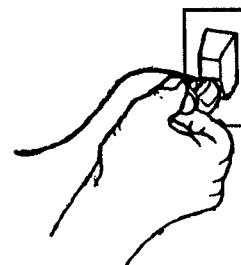
3. To turn band saw "Off" **Push** lever in.

WARNING: Never leave the band saw unattended until it has come to a complete stop.



4. To lock switch in Off position hold switch in with one hand and remove key with other hand.

WARNING: For your own safety, always lock the switch "Off" when band saw is not in use, remove the key and keep it in a safe place. In the event of a power failure (all of your lights go out) turn switch off, remove the key and store it away from the band saw. This will prevent the machine from starting up again when the power comes back on.



Safety Instructions for Basic Band Saw Operation

Before Using the Saw:

WARNING: to avoid mistakes that could cause serious, permanent injury, do not plug the saw in until the following steps have been completed.

- Completely assemble and align saw (see "Assembly" and "Alignment" section within).
- Learn the use and function of the ON-OFF switch, table bevel and bevel lock knob, blade guides, backup bearings, guide bar lock knob and blade guard.
- Review and understand all safety instructions and operating procedures in this manual.
- Review the maintenance methods for this saw.
- Find and read all the warning labels found on the front of the saw.

When Installing or Moving the Saw:

Avoid dangerous environment.

- Use the saw in a dry, indoor place protected from rain.
- Keep work area well lighted.

To avoid injury from unexpected saw movement.

- Put the saw on a firm level surface where there is plenty of room to handle and properly support the workpiece.
- Support the saw so the table is level and the saw does not rock.
- Bolt the saw to the floor or work surface. Saw may slip, walk or slide while cutting long or heavy boards.
- Turn saw off and unplug cord before moving the saw.

To avoid injury from electrical shock.

- Make sure your fingers do not touch the plug's metal prongs when plugging in or unplugging the saw.
- **Never stand on tool.** Serious injury could occur if the tool tips or you accidentally hit the cutting tool. Do not store any items above or near the tool where anyone might stand on the tool to reach them.

Before Each Use:

Inspect your saw.

- To avoid injury from accidental starting, turn the switch off, unplug the saw, and remove the switch key before changing the setup, removing covers, guards or blade.
- Check for alignment of moving parts, binding of moving parts, breakage of parts, saw stability, and any other conditions that may affect the way the saw works.
- If any part is missing, bent or broken in any way, or any electrical part does not work properly, turn the saw off and unplug the saw.
- Replace damaged or missing parts before using the saw again.
- Maintain tools with care. Keep the saw clean for best and safest performance. Follow instructions for lubricating.

- Remove adjusting keys and wrenches. Form a habit of checking for and removing keys and adjusting wrenches from table top before turning it on.

To avoid injury from jams, slips or thrown pieces or broken blades.

Inspect your blade.

- Choose the right blade size, style and cutting speed for the material and the type of cutting you plan to do.
- Use only recommended accessories. Consult this owners manual for recommended accessories. Follow the instructions that come with the accessories. The use of improper accessories may cause risk of injury to persons.
- Make sure the blade teeth point downward, toward the table.
- Make sure the blade guides and thrust bearings are properly adjusted.
- Make sure the blade tension is properly adjusted.
- Make sure the bevel clamp is tight and no parts have excessive play.
- To avoid accidental blade contact, minimize blade breakage and provide maximum blade support, always adjust the upper blade guide and blade guard to just clear the workpiece.

Inspect your work area.

- Keep work area clean.
- Cluttered areas and benches invite accidents. Floor must not be slippery from wax or sawdust.
- To avoid burns or other fire damage, never use the saw near flammable liquids, vapors or gases.

Plan Your Work:

- Use the right tool. Don't force tool or attachment to do a job it was not designed to do.
- Use this band saw to cut only wood, wood like products and plastics.

CAUTION: To avoid blade breakage, fire or other damage to the saw, never use this band saw to cut metals.

- To avoid injury from accidental contact with moving parts, don't do layout, assembly, or set up work on the saw while any parts are moving.
- Avoid accidental starting. Make sure switch is "OFF" before plugging saw into a power outlet.
- Plan ahead to protect your eyes, hands, face and ears.

Safety Instructions for Basic Band Saw Operation (continued)

Dress For Safety

- Any power saw can throw foreign objects into the eyes. This can cause permanent eye damage. Wear safety goggles (not glasses) that comply with ANSI Z87.1 (shown on package). Everyday eyeglasses have only impact resistance lenses. They are not safety glasses. Safety goggles are available at Sears retail stores. Glasses or goggles not in compliance with ANSI Z87.1 could seriously hurt you when they break..



- Do not wear loose clothing, gloves, neckties or jewelry (rings, wrist watches). They can get caught and draw you into moving parts.
- Wear nonslip footwear.
- Tie back long hair.
- Roll long sleeves above the elbow.
- Noise levels vary widely. To avoid possible hearing damage, wear ear plugs or muffs when using saw for hours at a time.
- For dusty operations, wear a dust mask along with the safety goggles.

Inspect your workpiece.

Make sure there are no nails or foreign objects in the part of the workpiece to be cut.

Use extra caution with large, very small or awkward workpieces:

- Use extra supports (tables, saw horses, blocks, etc.) for any workpieces large enough to tip when not held down to the table top.
- **Never** use another person as a substitute for a table extension, or as additional support for a workpiece that is longer or wider than the basic saw table, or to help feed, support or pull the workpiece.
- When cutting irregularly shaped workpieces, plan your work so it will not slip and pinch the blade. A piece of molding for example, must lie flat or be held by a fixture or jig that will not let it twist, rock or slip while being cut.
- Properly support round material such as dowel rods, or tubing. They tend to roll during a cut, causing the blade to "bite". To avoid this, always use a "V" block or clamp the work to the miter gage.
- Cut only one workpiece at a time.
- Clear everything except the workpiece and related support devices off the table before turning the saw on.

Plan the Way You Will Hold the Workpiece From Start To Finish.

- Do not hand hold pieces so small that your fingers will go under the blade guard. Use jigs or fixtures to hold the work and keep your hands away from the blade.
- Secure work. Use clamps to hold work when practical. It's often safer than using your hand, and frees both hands to operate the tool.
- Don't overreach. Keep good footing and balance.

Whenever Sawblade Is Moving:

WARNING: Don't allow familiarity (gained from frequent use of your band saw) cause a careless mistake. Always remember that a careless fraction of a second is enough to cause a severe injury.

- Before starting your cut, watch the saw while it runs. If it makes an unfamiliar noise or vibrates a lot, stop immediately. Turn the saw off. Unplug the saw. Do not restart until finding and correcting the problem.

Keep children away.

- Keep all visitors a safe distance from the band saw.
- Make sure bystanders are clear of the band saw and workpiece.

Don't force tool.

- Let the blade reach full speed before cutting.
- It will do the job better and safer at its designed rate.
- Feed the workpiece into the saw only fast enough to let the blade cut without bogging down or binding.

Before freeing jammed material.

- Turn switch "OFF".
- Unplug the saw.
- Wait for all moving parts to stop.
- Remove switch key.

When backing up the workpiece, the blade may bind in the kerf (cut). This is usually caused by sawdust clogging up the kerf or because the blade comes out of the guides. If this happens:

- Turn saw "OFF".
- Wait for all moving parts to stop.
- Remove switch key.
- Unplug the saw.
- Remove band saw cover.
- Stick flat blade screwdriver or wedge into the kerf.
- Turn the upper wheel by hand while backing up the workpiece.

Before removing loose pieces from the table, turn saw off and wait for all moving parts to stop.

Before Leaving the Saw.

- Turn the saw off.
- Wait for all moving parts to stop.
- Unplug the saw.
- Make workshop child-proof.
 - Lock the shop.
 - Disconnect master switches.
 - Remove the yellow switch key. Store it away from children and others not qualified to use the tool.

Basic Band Saw Operations

General Cutting

CAUTION: For your safety, comply with all the safety instructions in "Safety Instructions for Band Saw" section before using the band saw.

A band saw is a "curve cutting" machine.

It is also used for straight-line cutting operations such as crosscutting, ripping, mitering, beveling, compound cutting and resawing.

Operation	Recommended Blade Size (Inches)
Cross Cutting	1/4, 3/8
Ripping	3/8
Mitering	1/4, 3/8
Beveling	1/4, 3/8
Compound Cutting	1/4, 3/8
Circle Cutting	See Below
Resawing	3/8
Curve Cutting	1/4, 1/8

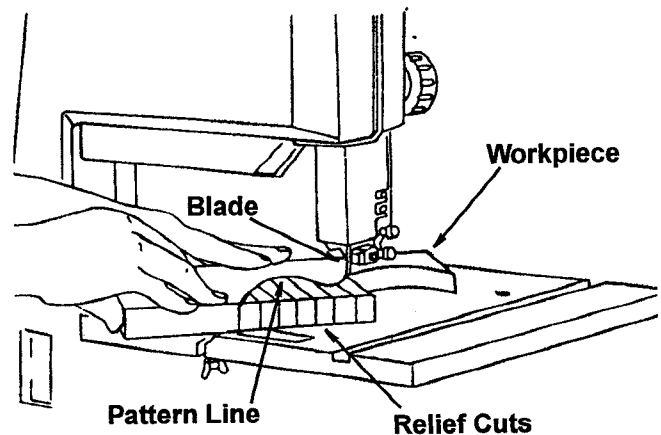
Circle Cutting

1. Adjust the upper guides to vertically clear the workpiece by approximately 1/8".
2. Use both hands while feeding the work into the blade. Hold the workpiece firmly against the table. Use gentle pressure, and do not force the work, but allow the blade to cut.
3. The smallest diameter that can be cut out is determined by the width of the blade. For example, a 1/4-inch wide blade will cut a minimum diameter of approximately 1-1/2-inch. A 1/8" blade will cut a minimum diameter of 1/2".

Relief Cuts

Relief cuts are made when an intricate curve (too small a radius for the blade) is to be cut. A relief cut is made by cutting through the scrap section of workpiece to curve in pattern line, then carefully backing blade out. Several relief cuts should be made for intricate curves, then follow pattern line as sections are cut off curve "relieving" blade pressure.

NOTE: Blade guard is raised and right hand moved for clarity of picture only.



Maintenance

WARNING: For your own safety, turn switch "Off" and remove plug from power source outlet before maintaining or lubricating your band saw.

Maintenance

DANGER: Never put lubricants on the blade while it is spinning.

WARNING: To avoid injury from unexpected starting or electrical shock, unplug the power cord before working on the saw.

Tires

Pitch and sawdust that build up on the tires should be removed with a stiff brush or scraped with a piece of wood.

NOTE: To avoid damaging the tires do not use a sharp knife or any kind of solvent.

When the tires become worn they should be replaced. When replacing the tires, stretch them around the wheels but do not glue them on.

General Maintenance

Keep your band saw clean. Remove the sawdust from the inside. Vacuum or blow out saw frequently.

Do not allow filth to build up on the table the guides or the back-up bearings. Clean them with Craftsman Gum and Pitch Remover.

NOTE: Do not immerse the back-up bearings in the gum and pitch remover.

Put a thin coat of paste wax on the table so that the wood slides easily while cutting.

Motor

Frequently blow or vacuum out any sawdust from the motor. Follow lubrication instruction on the motor label.

CAUTION: To avoid eye injury from blowing debris, wear safety goggles when blowing out sawdust.

WARNING: To avoid electrocution or fire, immediately replace a worn, cut or damaged power cord.

Lubrication

All of the ball bearings are packed with grease at the factory. They require no further lubrication.

Sears Recommends the Following Accessories

WARNING: To avoid injury from unsafe accessories, use only accessories shown on the recommended accessories list in this manual.

- Miter Gauge 9-24214
- Blades (59-1/4" length) See Catalog
- Leg Set 9-22244
- Power Tool handbook..... 9-29114 and 9-29115

Sears may recommend other accessories not listed in the manual. See your nearest Sears store for other accessories.

Prohibited Accessories

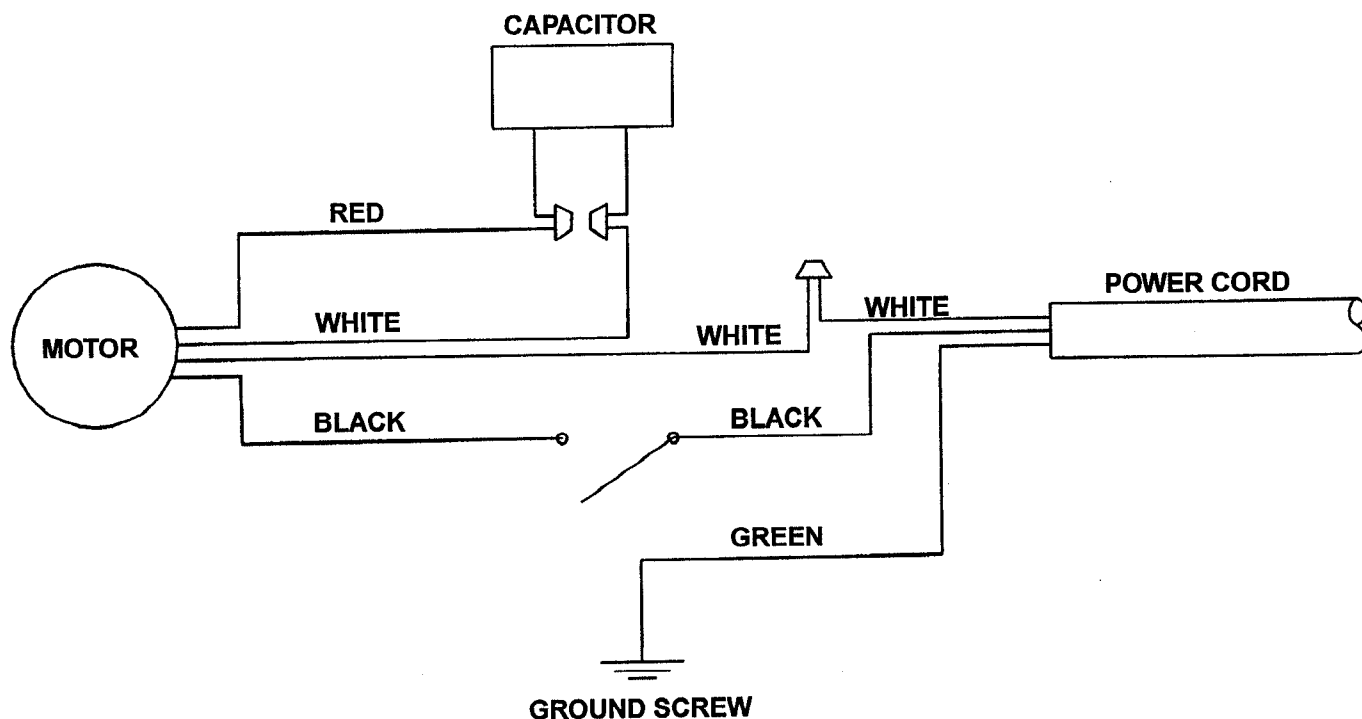
Do not use any accessory unless you have received and read complete instructions for its use.

Troubleshooting

WARNING: For your own safety, turn switch "Off" and remove plug from power source outlet before troubleshooting your band saw/sander.

General

Trouble	Probable Cause	Remedy
Blade does not run in the approximate center of the upper wheel.	1. Not tracking properly.	1. Adjust tracking, see Alignment section, "Tracking the Blade".
Band Saw slows when cutting	1. Belt too loose. 2. Cutting too small a radius. 3. Dull blade. 4. Overloading motor.	1. Adjust belt tension, see "Alignment section, "Adjusting Motor Belt". 2. Stop feeding, and pull the material away from the blade until the band saw returns to normal speed. 3. Replace blade. 4. Slow down, trying to cut too fast.
Blades breaking	1. Too much tension on blade. 2. Kink in blade caused by cutting too small a radius or turning the material too fast when cutting.	1. Adjust tension. See "Alignment section, "Tensioning the Blade". 2. Use correct cutting technique. See "Basic Band Saw Operation" section.
Blade dulls too quickly.	1. Blade guides set too close to teeth. 2. Cutting incorrect material	1. Adjust upper and lower blade guides. See "Alignment" section "Adjusting the Blade Guides and Back-up Bearing".
Band saw vibrates.	1. Too much tension on motor belt	1. Adjust according to "Adjusting Motor Belt" section.



Circuit Diagram

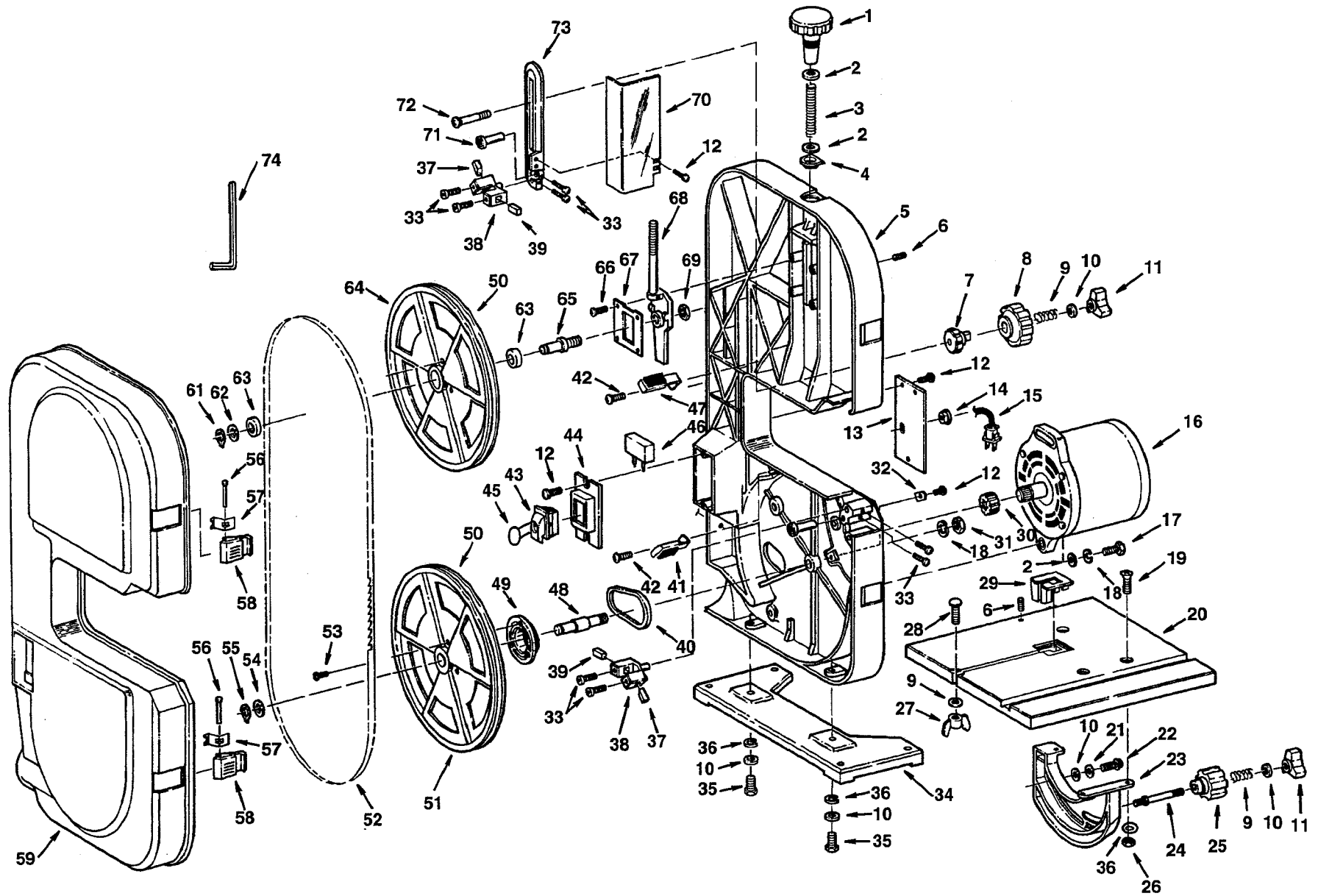
Motor

NOTE: Motors used on wood-working tools are particularly susceptible to the accumulation of sawdust and wood chips and should be blown out or "vacuumed" frequently to prevent interference with normal motor ventilation and proper operation of the centrifugally-operated starting switch.

Trouble	Probable Cause	Remedy
Excessive noise	1. Motor	1. Have motor checked by qualified service technician. Repair service is available at your nearest Sears store.
Motor fails to develop full power. Note Low Voltage: Power output of motor decreases rapidly with decrease in voltage at motor terminals. For example, a reduction of 10% in power cord line voltage causes a 19% reduction in maximum motor power output. A 20% reduction in power cord line voltage causes a 36% reduction in maximum motor power output.	1. Circuit overloaded with light, appliances and other motors. 2. Undersize wires or circuit too long. 3. General overloading of power company facilities.	1. Do not use other appliances or motors on same circuit when using the saw. 2. Increase wire sizes, or reduce length of wiring. See "Motor specifications and Electrical Requirements" section. 3. Request a voltage check from the power company.
Motor starts slowly or fails to come up to full speed.	1. Low voltage. 2. Windings burned out or open. 3. Starting switch not operating.	1. Request voltage check from the power company. Check size of circuit wiring. 2. Have motor repaired or replaced. 3. Blow out sawdust from motor. Have motor repaired.
Motor overheats	1. Motor overloaded. 2. Improper cooling (air circulation restricted through motor due to sawdust accumulation).	1. Feed work slower into blade. 2. Clean out sawdust to provide normal air circulation through motor. See "Maintenance" section.
Starting switch in motor will not operate.	1. Burned switch contacts (due to extended hold-in periods caused by low line voltage, etc.) 2. Shorted capacitor. 3. Loose or broken connections.	1. Have switch replaced and request a voltage check from the power company. 2. Have capacitor tested and replace if defective. 3. Have wiring checked and repaired.
Motor stalls (resulting in blown fuses or tripped circuit breakers).	1. Starting switch not operating. 2. Voltage too low to permit motor to reach operating speed. 3. Fuses or circuit breakers do not have sufficient capacity.	1. Have switch replaced. 2. Request voltage check from the power company. 3. Install proper size fuses or circuit breakers.
Frequent opening of fuses or circuit breakers.	1. Motor overloaded. 2. Fuses or circuit breakers do not have sufficient capacity. 3. Starting switch not operating (motor does not reach speed).	1. Feed work slower into blade. 2. Install proper size fuses or circuit breakers. Check that wiring will handle load. 3. Have switch replaced. Blow out sawdust.

**Parts List For Craftsman 9-inch Band Saw
Model No. 113.244580
Figure 1**

24



Parts List For Craftsman 9 Inch Band Saw Model No. 113.244580

Always Order By Part Number - Not By Key Number

Figure 1 - Drive Assembly Parts

Key No.	Part No.	Description
1	824042	Knob Tension
2	STD551031	* Washer 21/64 x 47/64 x 1/16
3	824041	Spring Tension
4	824040	Cover Knob
5	824085	Frame
6	806036-1	Screw Set Oval 1/4-20 x 5/8
7	824059	Shaft Gear
8	824060	Knob Drive
9	824061	Spring Knob
10	STD551025	* Washer 1/4 x 5/8 x 1/16
11	824072	Knob Lock
12	824082	Screw Pan Hd. 3/16-24 x 3/8
13	824056	Plate Cover
14	821555	Relief Strain
15	813989-1	Cord w/Plug
16	824073	Motor
17	STD523110	* Screw Hex hd. 5/16-18 x 1
18	STD551131	* Lockwasher 5/16
19	824075	Screw Flat Hd. 1/4-20 x 24mm
20	824083	Table
21	824079	Washer Spring
22	824078	Screw Shoulder Washer Hd. 1/4-20
23	824068	Trunnion
24	824070	Shaft Trunnion Lock
25	824071	Knob Table Tilt
26	STD541025	* Nut Hex 1/4-20
27	STD541625	* Nut Wing 1/4-20
28	60530	Screw Truss Hd. 1/4-20 x 3/4
29	824074	Insert Table
30	824144	Pulley Motor
31	STD541031	* Nut Hex 5/16-18
32	824069	Indicator Bevel
33	824065	Screw Cap 3/16-24 x 1/2
34	820265	Foot Frame
35	STD522507	* Screw Hex Hd. 1/4-20 x 3/4
36	STD551125	* Lockwasher 1/4
37	824063	Block Guide
38	824062	Support Guide Block

* Standard hardware item. May be purchased locally.

Key No.	Part No.	Description
39	824064	Block Guide
40	824033	Belt
41	824045	Brush Lower
42	824081	Screw Sems M4 x 6
43	822308	Switch Locking
44	824055	Cover Switch
45	9-22255	† Key Switch
46	820274	Capacitor 16MFD
47	824096	Brush Upper
48	824030	Shaft Lower Wheel
49	824031	Pulley Idler
50	824028	Tire Wheel
51	824023	Wheel Lower/Includes Key # 50
52	824048	Blade 59-1/4
53	820248-2	Screw Pan Hd. Ty AB M4.2 x 1.4-8
54	STD851012	* Washer M12
55	817453-2	Ring Retaining
56	824052	Pin Cover
57	824053	Spring Cover
58	824051	Latch Cover
59	824049	Cover (Includes Keys 56, 57 & 58)
61	805606-20	Ring Retaining
62	824077	Washer Plastic
63	STD315505	* Bearing Ball 6000Z
64	824035	Wheel Upper
65	824076	Shaft Upper Wheel
66	STD512505	* Screw Pan Hd. 1/4-20 x 1/2
67	824039	Plate
68	824036	Support Upper Wheel
69	STD541431	* Nut Lock 5/16-18
70	824058	Guard Upper Blade
71	824066	Bearing Thrust
72	805594-10	Bolt Carriage 1/4-20 x 2-3/4
73	824057	Slide Upper
74	37887	Wrench Hex "L" 1/8
-	SP5872	Owners Manual (Not Illustrated)

† Stock Item - May be secured through the Hardware Department of most Sears Retail Stores.

SEARS

owner's manual

Model No.
113.244580

Two Wheel
9 Inch Band Saw

The model number of your band Saw will be found on a plate attached to your saw, at the left-hand side of the base.

When requesting service or ordering parts, always provide the following information:

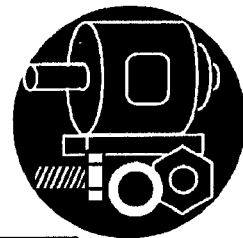
- Product Type
- Model Number
- Part Number
- Part Description

TWO WHEEL 9 INCH BAND SAW

For the repair or replacement parts you need

Call 7 am - 7 pm, 7 days a week

1-800-366-PART
(1-800-366-7278)



For in-home major brand repair service

Call 24 hours a day, 7 days a week

1-800-4-REPAIR
(1-800-473-7247)



For the location of a
Sears Repair Service Center in your area

Call 24 hours a day, 7 days a week

1-800-488-1222



For information on purchasing a Sears
Maintenance Agreement or to inquire
about an existing Agreement

Call 9 am - 5 pm, Monday-Saturday

1-800-827-6655



SEARS
REPAIR SERVICES
America's Repair Specialists

Sears, Roebuck and Co., Chicago, IL. 60179 U.S.A.