

# Installation instructions

Aerotech oven

OB30 models



US CA

## Important! SAVE THESE INSTRUCTIONS

The models shown in this document may not be available in all markets and are subject to change at any time. For current details about model and specification availability in your country, please visit our local website listed at the end of this document or contact your local Fisher & Paykel dealer.

## ① SAFETY AND WARNINGS

⚠ WARNING!		⚠ WARNING!	
	<b>Electrical hazard</b>	<b>DOUBLE OVEN MODELS</b>	<b>Very Heavy</b> Do not attempt to lift this product unassisted.  Lifting unassisted may cause serious injury.
	Always disconnect the oven from the mains electricity supply before carrying out any maintenance operations or repairs.  Failure to do so may result in electrical shock or death.	 <b>409 lb</b> <b>186 kg</b>	
		<b>SINGLE OVEN MODELS</b>	
		 <b>242 lb</b> <b>110 kg</b>	

⚠ WARNING!	
	<b>Cut hazard</b>  Take care - panel edges are sharp.  Failure to use caution could result in injury or cuts.

### Important safety instructions!

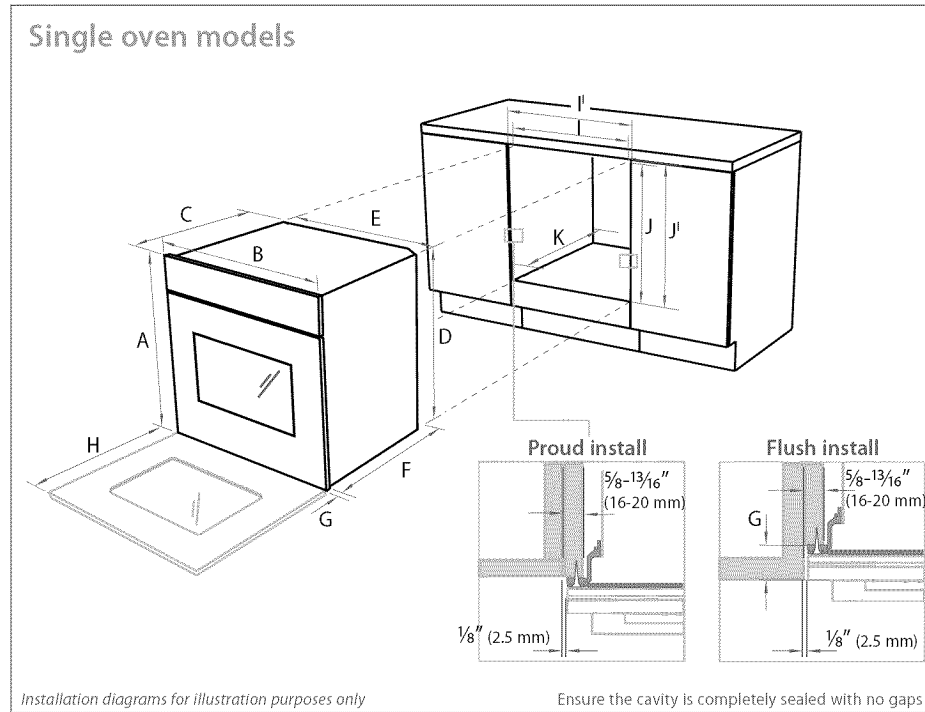
- Save these instructions for the local inspectors' use.
- To avoid hazard, follow these instructions carefully before installing or using this product.
- Please make this information available to the person installing the product as it could reduce your installation costs.
- This oven is to be installed and connected to the electricity supply only by an authorized person.
- If the installation requires alterations to the domestic electrical system, call a qualified electrician. The electrician should also check that the socket cable section is suitable for the electricity drawn by the oven.
- The oven must be grounded.
- To connect the oven to the mains, do not use adapters, reducers or branching devices as they can cause overheating and burning.
- Installation must comply with your local building and electricity regulations.
- Failure to install the oven correctly could invalidate any warranty or liability claims.

- Before you install the oven, please make sure that
- The oven will rest on a surface that can support its weight.
  - The countertop and oven cavity are square and level, and are the required dimensions.
  - The height from the floor suits the user.
  - The oven door can open fully without obstruction.

- Electrical requirements
- Connect oven with copper wire only.
  - Do not cut the conduit.
  - A U.L. listed conduit connector must be provided at the junction box.
  - Do not ground to a gas pipe.
  - Do not have a fuse in the grounding or neutral circuit.
  - Fuse both sides of the line.
  - A time delay fuse or circuit breaker is recommended. If using a time delay fuse, then fuse both sides of the line.
  - Flexible armored cable from the appliance should be connected directly to the junction box.
  - Connect directly to the fused disconnect (or circuit breaker box) through flexible, armored or non-metallic sheathed, copper cable (with grounding wire).
  - If codes permit and a separate grounding wire is used, it is recommended that a qualified electrician determine that the grounding path and wire gauge are in accordance with local codes.
  - Do not use an extension cord with this appliance.

- When you install the oven
- Do not seal the oven into the cabinetry with silicone or glue. This makes future servicing difficult. Fisher & Paykel will not cover the costs of removing the oven, or of damage caused by this removal.
  - Use the supplied screws to secure the oven to the cabinetry. Do not over-tighten the screws.
  - Do not stand on the door, or place heavy objects on it.
  - Do not lift the oven by the door handle.
  - Take extra care not to damage the lower trim of the oven.

## ② PRODUCT AND CABINETY DIMENSIONS

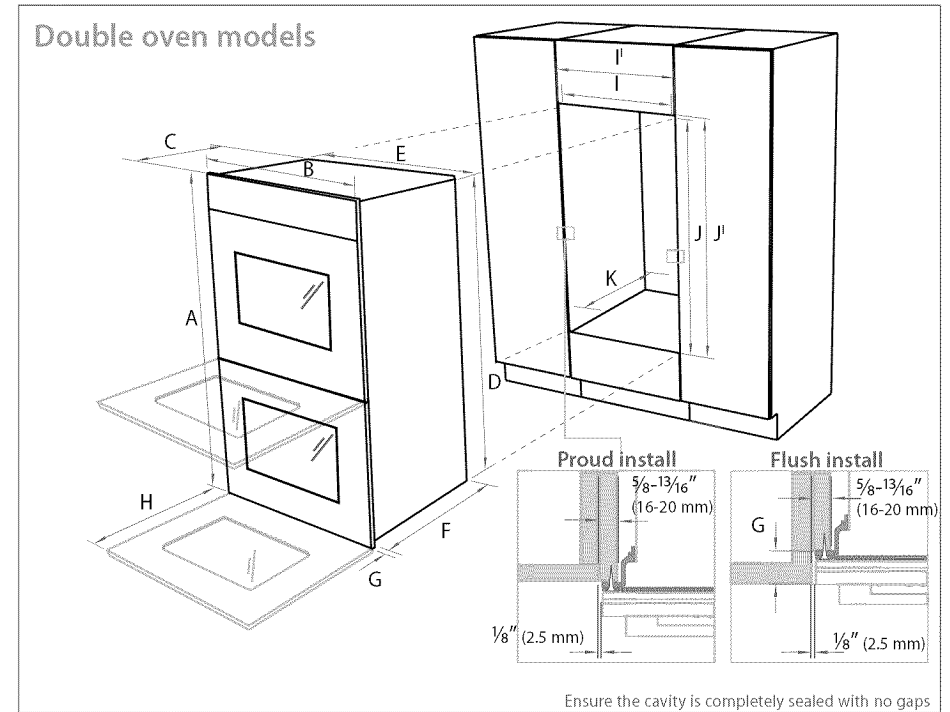


Product and cabinetry dimensions (inches (mm))

	OB30S models
A	overall height of product 27 1/6" (688)
B	overall width of product 29 3/4" (757)
C	overall depth of product (without handle) 23 15/16" (608)
D	height of chassis 26 3/4" (675)
E	width of chassis 28 1/4" (718)
F	depth of chassis 22 7/16" (570)
G	depth of oven frame and control panel (excl. knobs) 1 1/2" (38)
H	depth of oven door (open) (measured from front of oven frame) 20 7/8" (530)
I	minimum inside width of cavity 28 1/2" (724)
I'	overall width of cabinetry 30" (762)
J	inside height of cavity 26 13/16" (681)
J'	overall height of cabinetry 27 5/16" (693)
K	minimum inside depth of cavity Proud install 22 5/8" (575) Flush install 24 1/8" (613)

Note: If installing a cooktop above the oven, ensure adequate clearance is provided for the cooktop as per the cooktop manufacturer's instructions.

## ③ PRODUCT AND CABINETY DIMENSIONS

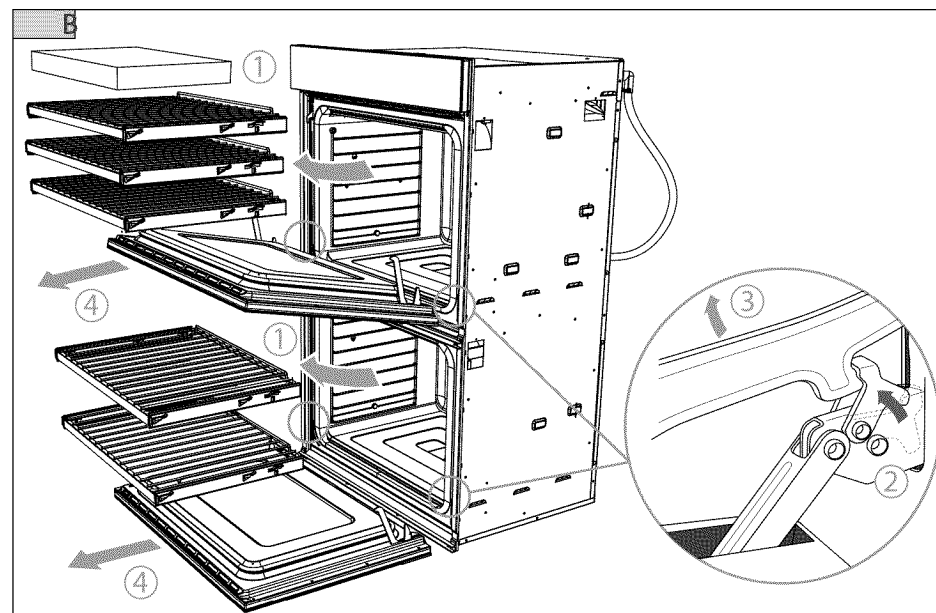
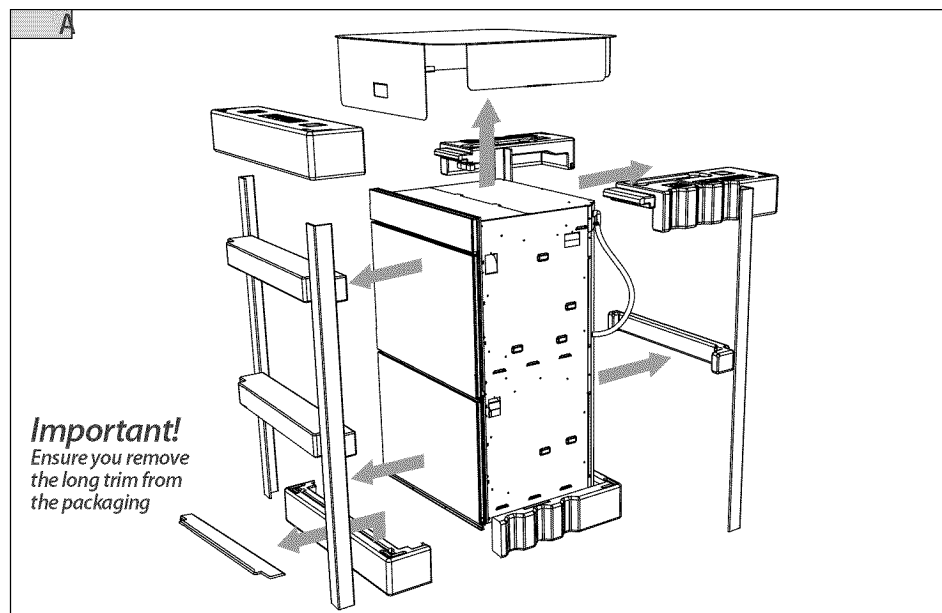


Product and cabinetry dimensions (inches (mm))

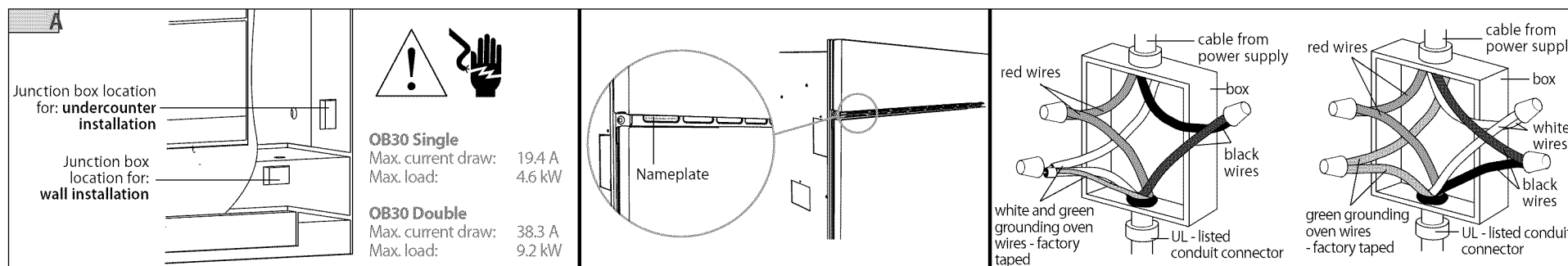
	OB30D models
A	overall height of product 48 7/16" (1230)
B	overall width of product 29 3/4" (757)
C	overall depth of product (without handle) 23 15/16" (608)
D	height of chassis 47 15/16" (1217)
E	width of chassis 28 1/4" (718)
F	depth of chassis 22 7/16" (570)
G	depth of oven frame and control panel (excl. knobs) 1 1/2" (38)
H	depth of oven doors (open) (measured from front of oven frame) 20 7/8" (530)
I	minimum inside width of cavity 28 1/2" (724)
I'	overall width of cabinetry 30" (762)
J	inside height of cavity 48 1/8" (1222)
J'	overall height of cabinetry 48 5/8" (1235)
K	minimum inside depth of cavity Proud install 22 5/8" (575) Flush install 24 1/8" (613)

## 4 UNPACK THE OVEN AND REMOVE THE DOOR(S)

Double models featured for illustration purposes only



## 5 ELECTRICAL CONNECTION TO JUNCTION BOX



- 1 Disconnect the power supply.
- 2 Remove the junction box cover.
- 3 Connect the oven cable to the junction box through the U.L.-listed conduit connector.
- 4 Connect the two black wires together with twist-on connectors.
- 5 Connect the two red wires together with twist-on connectors.
- 6 Connect electrical connection according to local codes and ordinances.

If local codes permit connecting the cabinet-grounding conductor to the neutral white wire in the junction box:

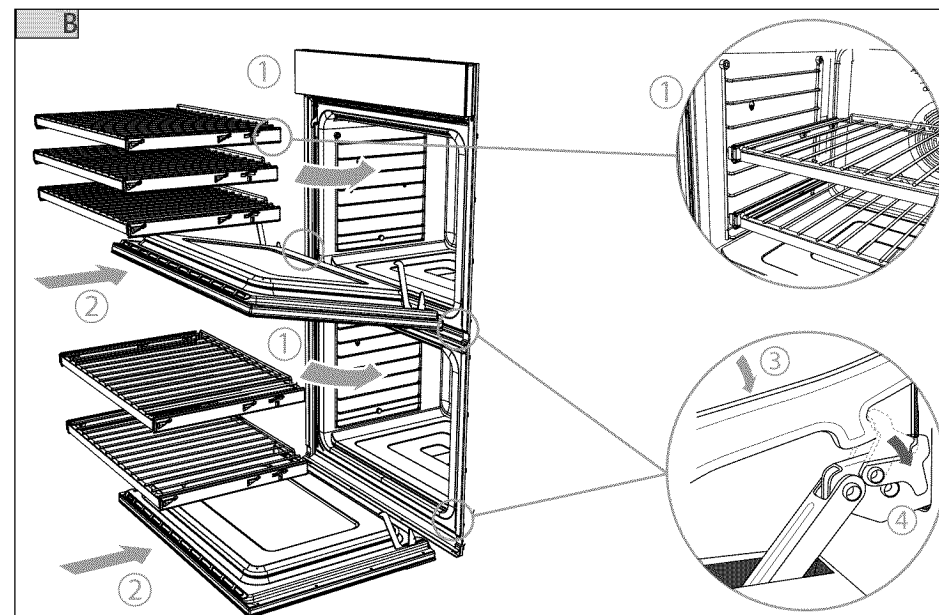
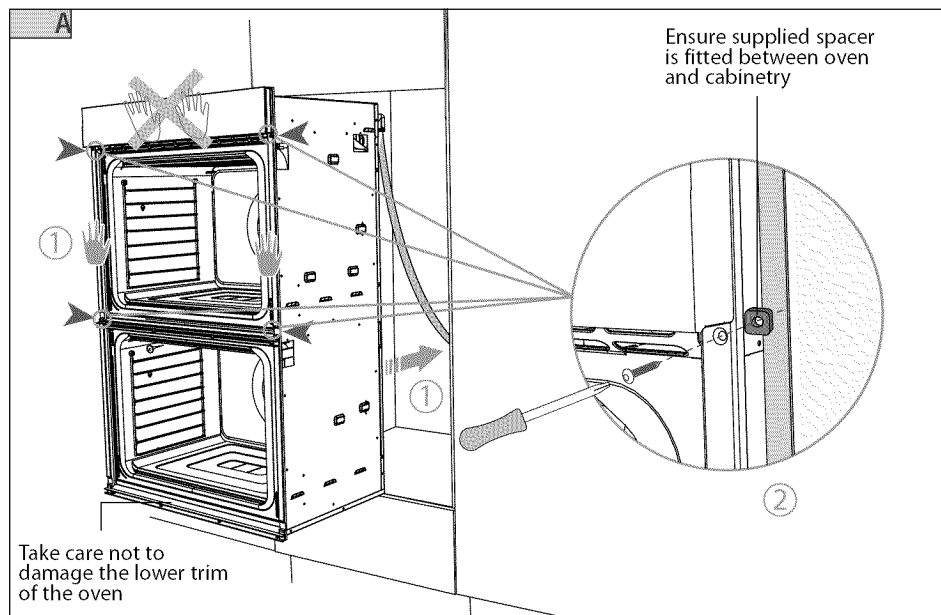
- 7a Connect the factory-taped green and white oven cable wires to the neutral (white) wire in the junction box.
- 8a Replace the junction box cover.

- OR If local codes DO NOT PERMIT connecting the cabinet-grounding conductor to the neutral (white) wire in junction box:
- 7b Separate the factory-taped green and white oven cable wires.
  - 8b Connect the white oven cable wire to the neutral (white) wire in junction box.
  - 9b Connect the green grounding oven cable wire to a grounded wire in the junction box.
  - 10b Replace the junction box cover.

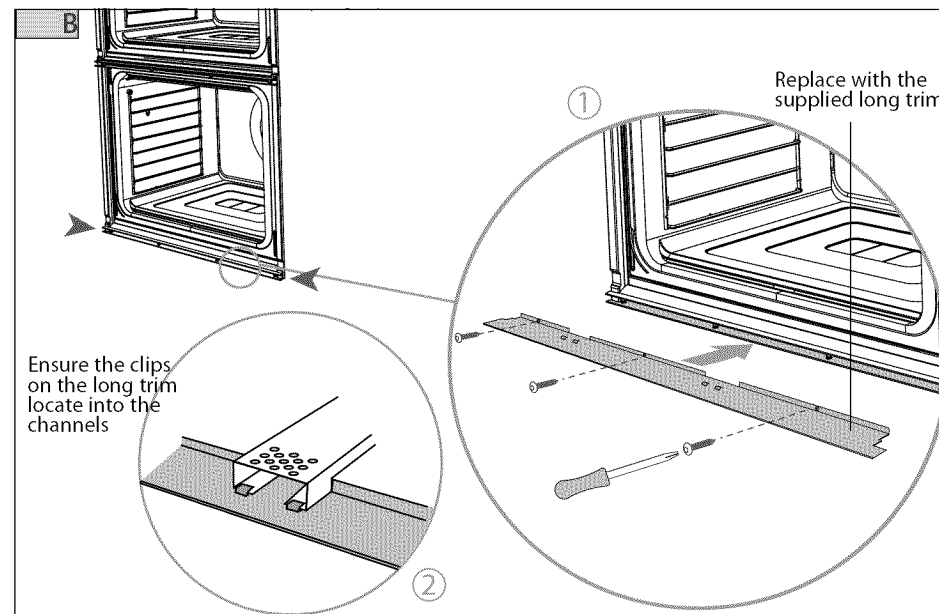
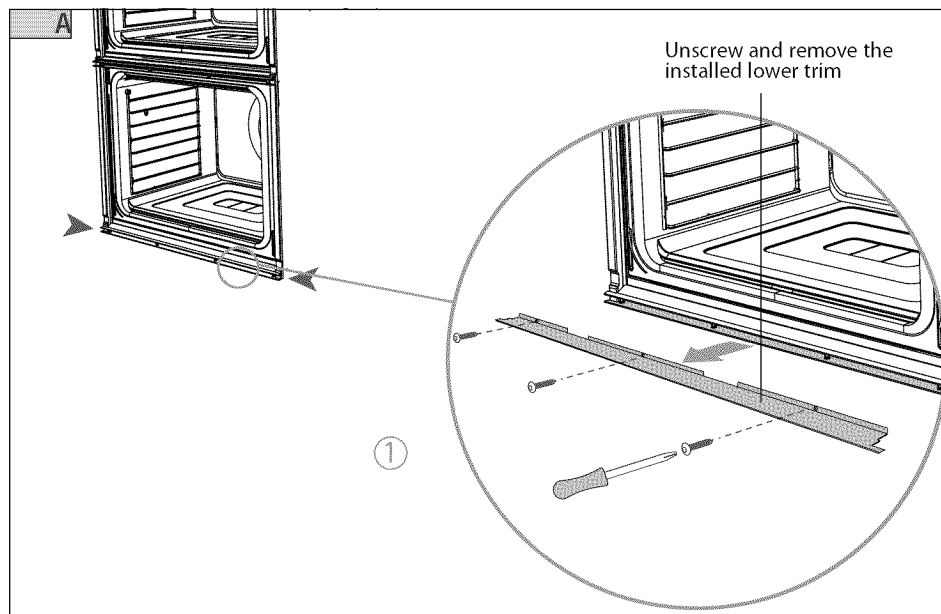
OR If connecting to a four-wire electrical system:

- 7c Separate the green and white oven cable wires.
  - 8c Connect the white oven cable wire to the neutral (white) wire in junction box.
  - 9c Connect the green grounding oven cable wire to the (green) grounding wire in the junction box.
- Do not connect the green grounding wire to the neutral (white) wire in junction box.**
- 10c Replace the junction box cover.

## ⑥ SECURE THE OVEN TO THE CABINETRY AND REFIT THE DOOR(S)



## ⑦ FLUSH INSTALLATION ONLY - REPLACE THE LOWER TRIM WITH THE SUPPLIED LONG TRIM



## ⑧ FINAL CHECKLIST



- Make sure the appliance is level and securely fitted to the cabinetry and both oven doors open and close freely.
- Make sure all the internal packaging has been removed from the oven cavity.
- Make sure all oven vents and openings are clear and are free of any obstruction/damage.

### ***Important!***

*Failure to make sure all oven vents are unobstructed may result in poor product performance.*

- Turn the power to the oven on. The clock should light up and flash 12:00pm.
- Set the clock to the current time.
- Turn the oven function knob to 'Bake' and the oven temperature knob to 350 °F (180 °C). Air should blow out of the vent at the bottom of the oven. Inside the oven cavity, all three oven lights should come on. After five minutes, open the oven door and the air inside should feel warm and the top element should be glowing red.
- Turn both the oven function knob and oven temperature knob back to OFF and repeat for the other oven if the appliance is a double model.

## ⑨ TROUBLESHOOTING

If the appliance is not functioning correctly after installation, check the following:

- Check that the circuit breaker has not tripped or the fuse blown.
- Make sure that the electrical connections have been correctly made.
- Make sure that power is being supplied to the oven.
- Make sure the voltage is correct across all phases.
- If a problem occurs, consult the Troubleshooting section of the User Guide.
- If after checking these points you still need assistance or parts, please refer to the Service & Warranty book for warranty details and your nearest Authorized Service Center, or contact us through our local website, listed below.