

WARMING DRAWER INSTALLATION MANUAL

SPECIAL WARNING

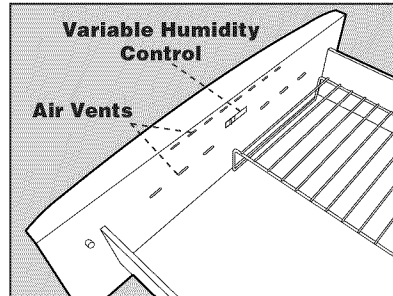
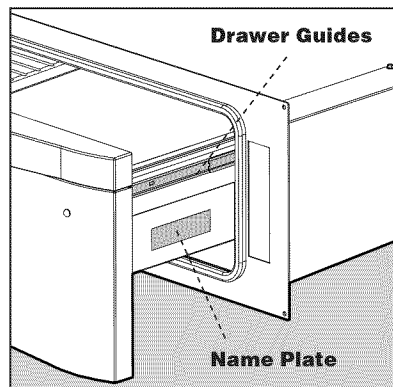
INSTALLATION AND SERVICE MUST BE PERFORMED BY A QUALIFIED INSTALLER.
IMPORTANT: SAVE THIS INSTALLATION MANUAL FOR LOCAL ELECTRICAL INSPECTOR'S USE.
READ AND SAVE THESE INSTRUCTIONS FOR FUTURE REFERENCE.

CLEARANCES AND DIMENSIONS

For SAFETY CONSIDERATIONS do not install drawer in any combustible cabinetry, which is not in accordance with the stated clearances and dimensions on page 2. See Figures 1 and 2.

UNPACKING YOUR WARMING DRAWER

- Prepare an adjacent area on the floor next to the shipping carton with protective material. Open the top of the carton and lift Warming Drawer up and out on to the protective material.
- Remove all packing material and tape from the product.
- Locate the operation and installation manual that also includes four (4) mounting screws.
- Follow all instructions in the installation manual to complete installation.



IMPORTANT NOTES TO THE INSTALLER

- Read all of the Installation Manual before installing the Warming Drawer.
- Remove all packing material before connecting the electrical supply.
- Observe all governing codes and ordinances.
- Be sure to leave these instructions with the consumer.

IMPORTANT NOTES TO THE CONSUMER

Keep this manual with your Operation Manual for future reference.

- As when using any Warming Drawer oven generating heat, there are certain safety precautions you should follow. These are listed in the Operation Manual. Read all and follow carefully.
- Be sure your Warming Drawer is installed and grounded properly by a qualified installer or service technician.

IMPORTANT SAFETY INSTRUCTIONS

⚠ WARNING If the information in this manual is not followed exactly, a fire or electrical shock may result that could cause property damage, personal injury or death.

⚠ WARNING To reduce the risk of tipping, the Warming Drawer must be secured by a properly installed Anti-Tip block.

- This Warming Drawer must be electrically grounded in accordance with local codes.
- Make sure the wall coverings and the cabinets around the Warming Drawer can withstand the heat generated by the Warming Drawer.

⚠ WARNING Never leave children alone or unattended in the area where a Warming Drawer is in use. Never leave the drawer open when the Warming Drawer is unattended.

⚠ WARNING Stepping, leaning or sitting on the drawer may result in serious injuries and can also cause damage to the Warming Drawer.

- **Do not use the Warming Drawer as a storage space.** This creates a potentially hazardous situation.

CLEARANCES AND DIMENSIONS

- Dimensions that are shown in Figures 1 and 2 must be used. Given dimensions provide minimum clearance. The electrical outlet can be located in the shaded areas shown in Figure 6.
- Contact surface must be solid and level. Pay special attention to the floor on which the Warming Drawer will sit. The floor of the opening should be constructed of plywood strong enough to support the weight of the oven (about 100 pounds).

- Check location where the Warming Drawer will be installed for proper electrical supply.
- Your oven can be built into a cabinet or wall by itself or under a gas/electric wall oven, or Warming Drawer.
- Be sure that the clearance of the floor between the wall oven and the Warming Drawer is a minimum of 2-inches.

WARMING DRAWER MEASUREMENTS

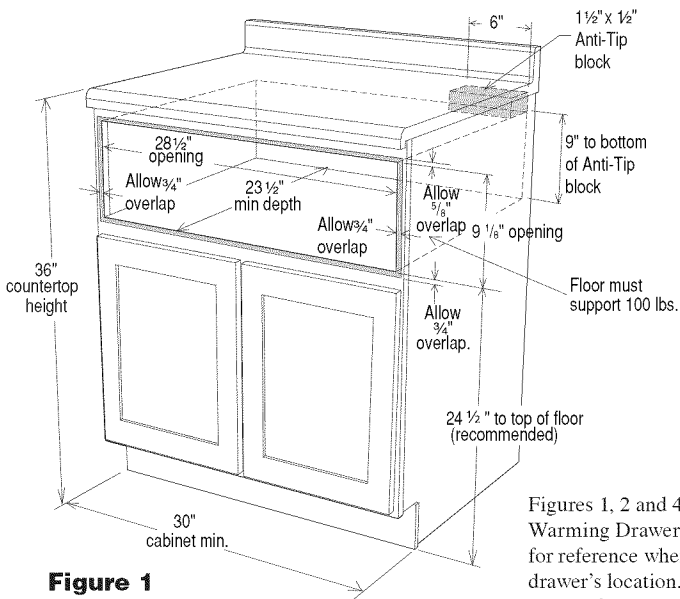


Figure 1

Figures 1, 2 and 4 contain many Warming Drawer measurements for reference when planning the drawer's location. See Figure 5, page 3, for suggested Warming Drawer electrical layout.

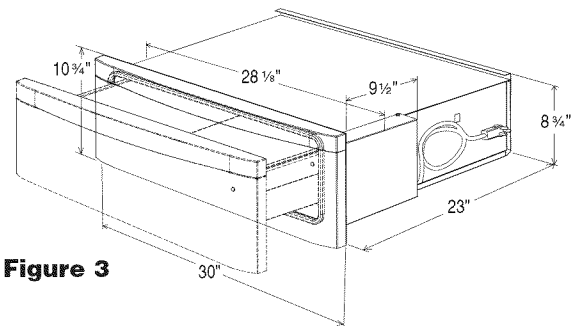


Figure 3

Optional Microwave Drawer Cutout illustrated in sketch.

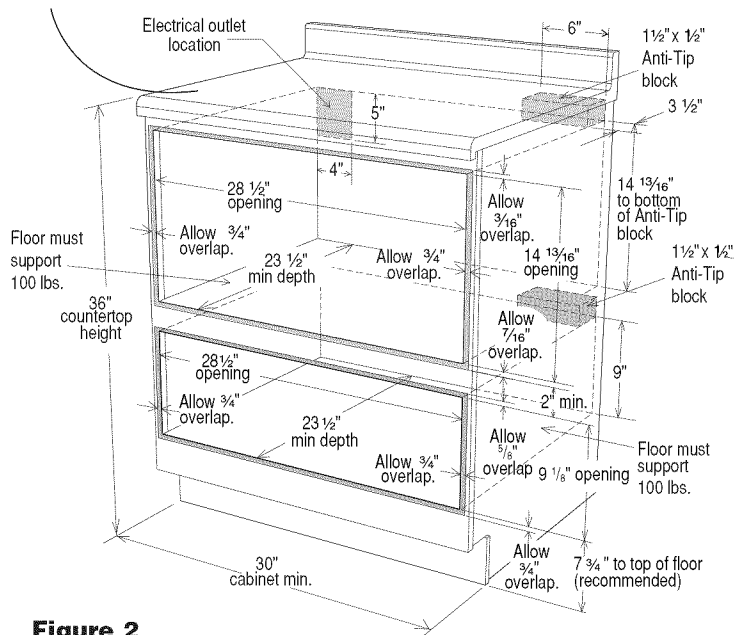


Figure 2

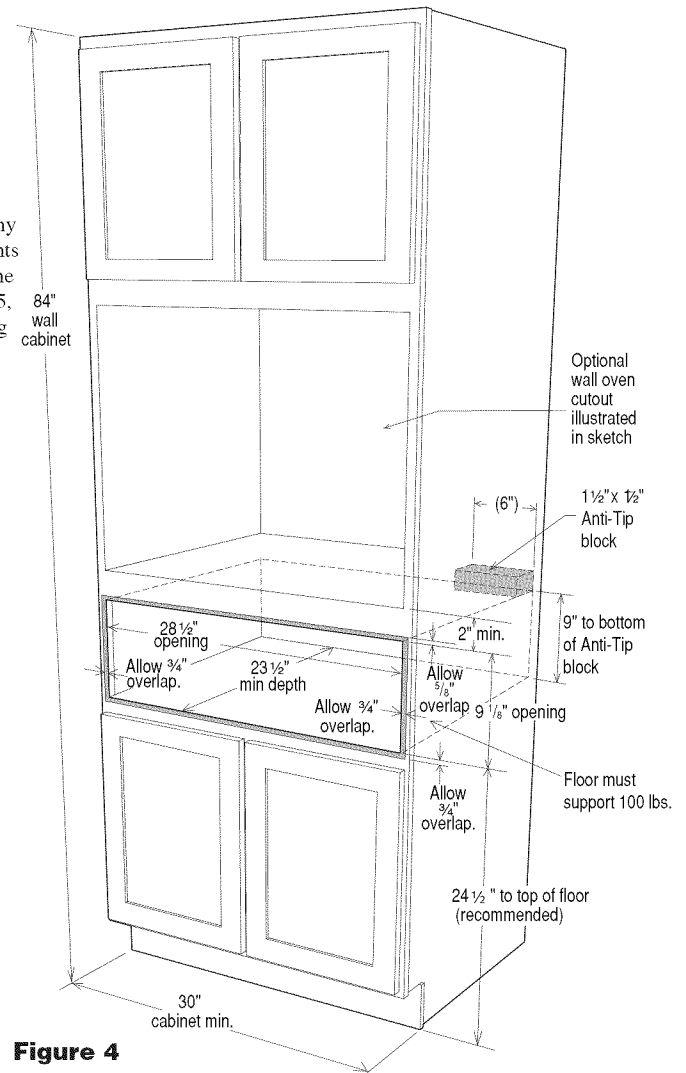


Figure 4

ANTI-TIP BLOCK

NORMAL INSTALLATION STEPS

ANTI-TIP BLOCK INSTALLATION INSTRUCTIONS

To reduce the risk of tipping of the drawer, the Anti-Tip block must be properly installed located 9-inches above the floor on which the Warming Drawer will sit. The 6-inch Anti-Tip block must be provided by the installer. See Figures 1, 2, and 4. The Anti-Tip block prevents serious injury that might result from spilled hot liquids.

If the Warming Drawer is ever moved to a different location, the Anti-Tip block must also be moved and installed. When installed to the wall, make sure that the screws completely penetrate the dry wall and are secured in wood or metal so that the block is totally stable. When fastening, be sure that the screws do not penetrate electrical wiring or plumbing.

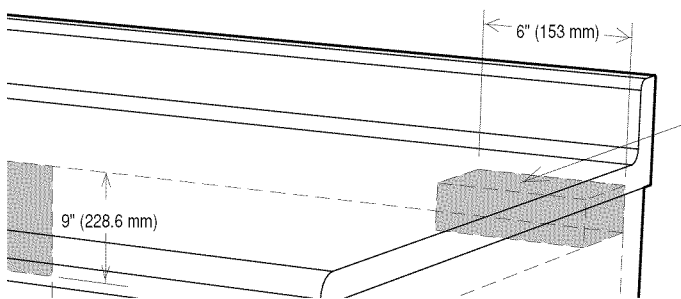


Figure 5

GROUNDING INSTRUCTIONS

This appliance must be grounded. The Warming Drawer is equipped with a cord having a grounding wire with a grounding plug. It must be plugged into a wall receptacle that is properly installed and grounded in accordance with the National Electrical Code and local codes and ordinances. In the event of an electrical short circuit, grounding reduces risk of electric shock by providing an escape wire for the electric current.

⚠️ WARNING – Improper use of the grounding plug can result in a risk of electric shock. Do not use an extension cord. If the power supply cord is too short, have a qualified electrician or serviceman install an outlet near the appliance.

DRAWER INSTALLATION

- Carefully guide the drawer into the prepared opening. Avoid pinching the cord between the oven and the wall.
- Slide the drawer all the way until the mounting flange is flush with the face of the cabinet.
- Open the drawer. Using the 4 holes on the drawer as a template, predrill the cabinet using a 1/16" bit. See Figure 7A.
- Secure the drawer with the 4 screws supplied. See Figure 7B.
- Plug the power supply cord into the electrical outlet.

ELECTRICAL OUTLET

The electrical requirements are a 120 volt 60 Hz, AC only, 15 amp. or more protected electrical supply. It is recommended that a separate circuit serving only this appliance be provided.

The drawer is equipped with a 3-prong grounding plug. It must be plugged into a wall receptacle that is properly installed and grounded. Should you only have a 2-prong outlet, have a qualified electrician install a correct wall receptacle.

Note: If you have any questions about the grounding or electrical instructions, consult a qualified electrician or service person.

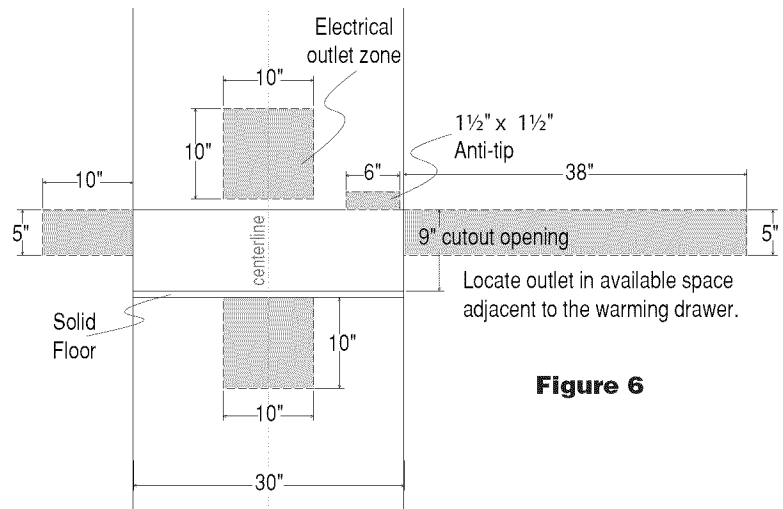


Figure 6

Permanent and Correct Installation

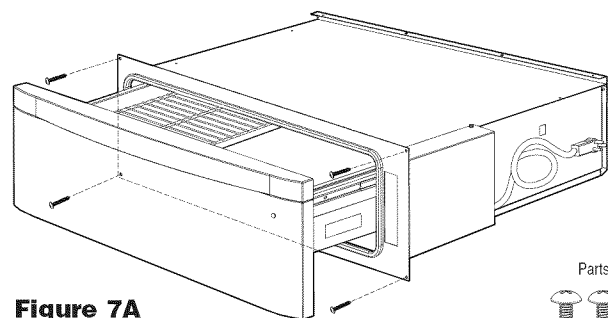
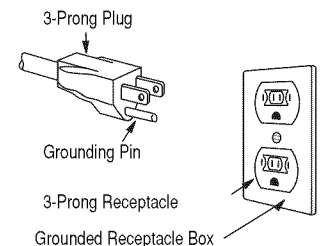


Figure 7A

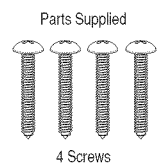


Figure 7B

MODEL & SERIAL NUMBER LOCATION

The name plate, including model and serial number, is located on the right side of the Warming Drawer.

CARE, CLEANING AND MAINTENANCE

Refer to the Operation Manual for cleaning instructions.

BEFORE YOU CALL FOR SERVICE

Read the BEFORE YOU CALL and operating instruction sections in your Operation Manual. It may save you time and expense. The list includes common occurrences that are not the result of defective workmanship or materials in this range.

Refer to the warranty in your Operation Manual for Sharp's toll-free service number and address. Please call or write if you have inquiries about your Warming Drawer product and/or need to order parts.

SHARP®

TINSEB521MRR0

SHARP ELECTRONICS CORPORATION

Sharp Plaza, Mahwah, New Jersey 07495-1163
1-800-BE-SHARP (237-4277)



RECYCLED PAPER
PRINTED IN USA