



INSTALLATION INSTRUCTIONS COMMERCIAL DRYER - Gas or Electric

INSTRUCTIONS POUR L'INSTALLATION D'UNE SÈCHEUSE COMMERCIALE - À gaz ou électrique

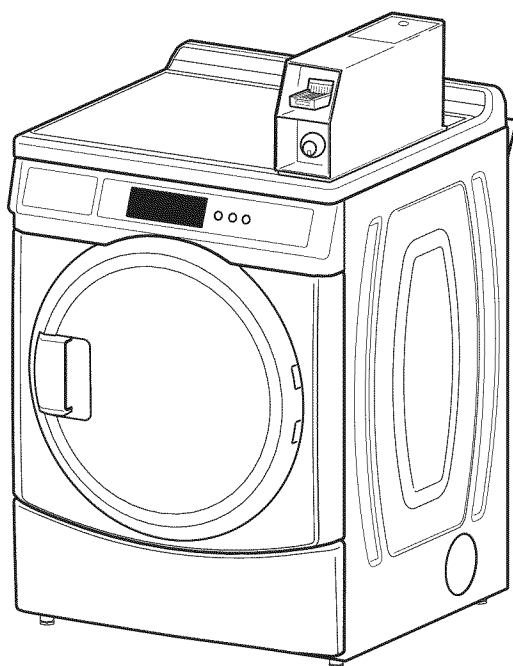


TABLE OF CONTENTS

DRYER SAFETY	2
INSTALLATION REQUIREMENTS	4
Tools and Parts	4
Location Requirements	4
Electrical Requirements	6
Gas Supply Requirements	9
Venting Requirements	10
INSTALLATION INSTRUCTIONS - COIN SLIDE AND COIN BOX	11
INSTALLATION INSTRUCTIONS - GAS DRYER	12
Make Gas Connection	12
Connect Vent	12
Complete Installation	12
INSTALLATION INSTRUCTIONS - ELECTRIC DRYER	13
Make Electrical Connection	13
Connect Vent	20
Complete Installation	20
REVERSING THE DOOR SWING	21
ELECTRONIC CONTROL SETUP	22
MAINTENANCE INSTRUCTIONS	22
WARRANTY	23

TABLE DES MATIÈRES

SÉCURITÉ DE LA SÈCHEUSE	24
EXIGENCES D'INSTALLATION	26
Outillage et pièces	26
Exigences d'emplacement	26
Spécifications électriques	28
Spécifications de l'alimentation en gaz	30
Exigences concernant l'évacuation	31
INSTRUCTIONS D'INSTALLATION - GLISSIÈRE ET CAISSE À MONNAIE	33
INSTRUCTIONS D'INSTALLATION - SÈCHEUSE À GAZ	33
Raccordement à la canalisation de gaz	33
Raccordement du conduit d'évacuation	33
Achever l'installation	34
INSTRUCTIONS D'INSTALLATION - SÈCHEUSE ÉLECTRIQUE	35
Raccordement du conduit d'évacuation	35
Achever l'installation	35
INVERSION DU SENS D'OUVERTURE DE LA PORTE	36
RÉGLAGE DE LA COMMANDE ÉLECTRONIQUE	38
INSTRUCTIONS D'ENTRETIEN	38
GARANTIE	39

DRYER SAFETY

Your safety and the safety of others are very important.

We have provided many important safety messages in this manual and on your appliance. Always read and obey all safety messages.



This is the safety alert symbol.

This symbol alerts you to potential hazards that can kill or hurt you and others.

All safety messages will follow the safety alert symbol and either the word “DANGER” or “WARNING.”

These words mean:

⚠ DANGER

You can be killed or seriously injured if you don't immediately follow instructions.

⚠ WARNING

You can be killed or seriously injured if you don't follow instructions.

All safety messages will tell you what the potential hazard is, tell you how to reduce the chance of injury, and tell you what can happen if the instructions are not followed.



WARNING - “Risk of Fire”

- Clothes dryer installation must be performed by a qualified installer.
- Install the clothes dryer according to the manufacturer's instructions and local codes.
- Do not install a clothes dryer with flexible plastic venting materials. If flexible metal (foil type) duct is installed, it must be of a specific type identified by the appliance manufacturer as suitable for use with clothes dryers. Flexible venting materials are known to collapse, be easily crushed, and trap lint. These conditions will obstruct clothes dryer airflow and increase the risk of fire.
- To reduce the risk of severe injury or death, follow all installation instructions.
- Save these instructions.

- It is recommended that the owner post, in a prominent location, instructions for the customer's use in the event the customer smells gas. This information should be obtained from your gas supplier.
- Post the following warning in a prominent location.

FOR YOUR SAFETY

Do not store or use gasoline or other flammable vapors and liquids in the vicinity of this or any other appliance.

WARNING: For your safety, the information in this manual must be followed to minimize the risk of fire or explosion, or to prevent property damage, personal injury, or death.

- Do not store or use gasoline or other flammable vapors and liquids in the vicinity of this or any other appliance.
- **WHAT TO DO IF YOU SMELL GAS:**
 - Do not try to light any appliance.
 - Do not touch any electrical switch; do not use any phone in your building.
 - Clear the room, building, or area of all occupants.
 - Immediately call your gas supplier from a neighbor's phone. Follow the gas supplier's instructions.
 - If you cannot reach your gas supplier, call the fire department.
- Installation and service must be performed by a qualified installer, service agency, or the gas supplier.

WARNING: Gas leaks cannot always be detected by smell.

Gas suppliers recommend that you use a gas detector approved by UL or CSA.

For more information, contact your gas supplier.

If a gas leak is detected, follow the "What to do if you smell gas" instructions.

In the State of Massachusetts, the following installation instructions apply:

- Installations and repairs must be performed by a qualified or licensed contractor, plumber, or gasfitter qualified or licensed by the State of Massachusetts.
- If using a ball valve, it shall be a T-handle type.
- A flexible gas connector, when used, must not exceed 3 feet.

IMPORTANT: The gas installation must conform with local codes, or in the absence of local codes, with the National Fuel Gas Code, ANSI Z223.1/NFPA 54 or the Canadian Natural Gas and Propane Installation Code, CSA B149.1.

The dryer must be electrically grounded in accordance with local codes, or in the absence of local codes, with the National Electrical Code, ANSI/NFPA 70 or Canadian Electrical Code, CSA C22.1.

IMPORTANT SAFETY INSTRUCTIONS

WARNING: To reduce the risk of fire, electric shock, or injury to persons when using the dryer, follow basic precautions, including the following:

- Read all instructions before using the dryer.
- Do not place items exposed to cooking oils in your dryer. Items contaminated with cooking oils may contribute to a chemical reaction that could cause a load to catch fire.
- Do not dry articles that have been previously cleaned in, washed in, soaked in, or spotted with gasoline, dry-cleaning solvents, or other flammable or explosive substances as they give off vapors that could ignite or explode.
- Do not allow children to play on or in the dryer. Close supervision of children is necessary when the dryer is used near children.
- Before the dryer is removed from service or discarded, remove the door to the drying compartment.
- Do not reach into the dryer if the drum is moving.
- Do not install or store the dryer where it will be exposed to the weather.
- Do not tamper with controls.
- Do not repair or replace any part of the dryer or attempt any servicing unless specifically recommended in this Use and Care Guide or in published user-repair instructions that you understand and have the skills to carry out.
- Do not use fabric softeners or products to eliminate static unless recommended by the manufacturer of the fabric softener or product.
- Do not use heat to dry articles containing foam rubber or similarly textured rubber-like materials.
- Clean lint screen before or after each load.
- Keep area around the exhaust opening and adjacent surrounding areas free from the accumulation of lint, dust, and dirt.
- The interior of the dryer and exhaust vent should be cleaned periodically by qualified service personnel.
- See installation instructions for grounding requirements.

SAVE THESE INSTRUCTIONS

INSTALLATION REQUIREMENTS

Tools and Parts

Gather the required tools and parts before starting installation. Read and follow the instructions provided with any tools listed here.

Tools needed

- 8" or 10" Pipe wrench
- 8" or 10" adjustable wrench
- Flat-blade screwdriver
- Phillips screwdriver
- Adjustable wrench that opens to 1" (2.5 cm) or 1" (25 mm) hex-head socket wrench
- Security T-20 TORX[†] driver
- Level
- 1/4" socket and wrench
- Vent clamps
- Pipe-joint compound resistant to LP gas
- Caulk gun and caulk (for installing new exhaust vent)
- Pliers
- Stiff bladed putty knife

Parts supplied

Remove parts bag from dryer drum. Check that all parts were included.

- Foot boot (4)
- Dryer foot (4)
- Service door lock cam

Location Requirements

WARNING



Explosion Hazard

Keep flammable materials and vapors, such as gasoline, away from dryer.

Do not install in a garage.

Failure to do so can result in death, explosion, or fire.

If installing a gas dryer:

IMPORTANT: Observe all governing codes and ordinances.

- Check code requirements: Some codes limit or do not permit installation of clothes dryers in garages, closets, or sleeping quarters. Contact your local building inspector.
- Make sure that lower edges of the cabinet, plus the back and bottom sides of the dryer, are free of obstructions to permit adequate clearance of air openings for combustion air. See "Recessed Area and Closet Installation Instructions" below for minimum spacing requirements.

NOTE: The dryer must not be installed in an area where it will be exposed to water and/or weather.

[†] ® TORX is a registered trademark of Acument Intellectual Properties, LLC.

Recessed Area and Closet Installation Instructions

This dryer may be installed in a recessed area or closet. For recessed area and closet installations, minimum clearances can be found on the warning label on the rear of the dryer.

The installation spacing is in inches and is the minimum allowable. Additional spacing should be considered for ease of installation, servicing, and compliance with local codes and ordinances.

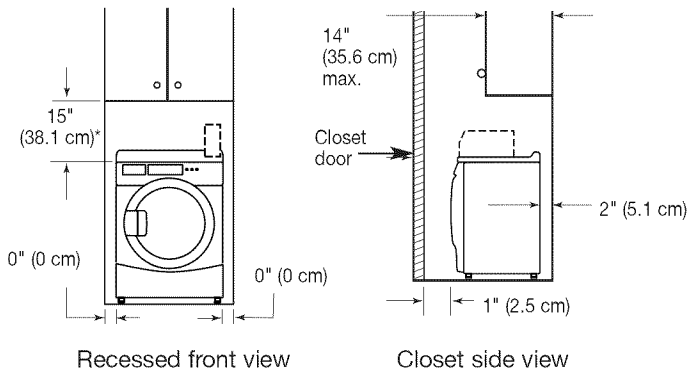
If closet door is installed, the minimum unobstructed air opening in the top and bottom is required. Louvered doors with equivalent air openings are acceptable.

The dryer must be exhausted outdoors.

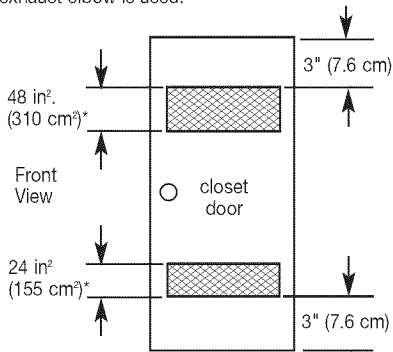
No other fuel-burning appliance may be installed in the same closet as the dryer.

Product Dimensions 27" (68.6 cm) dryer

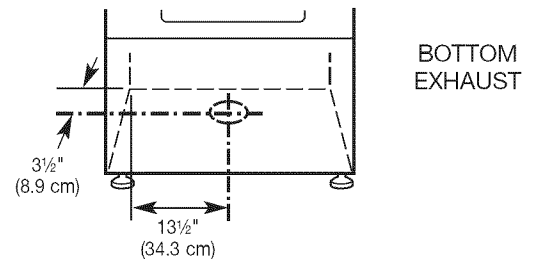
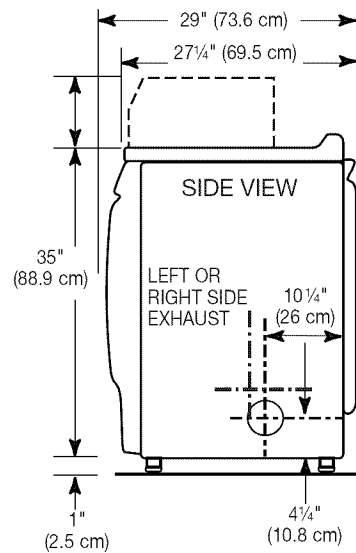
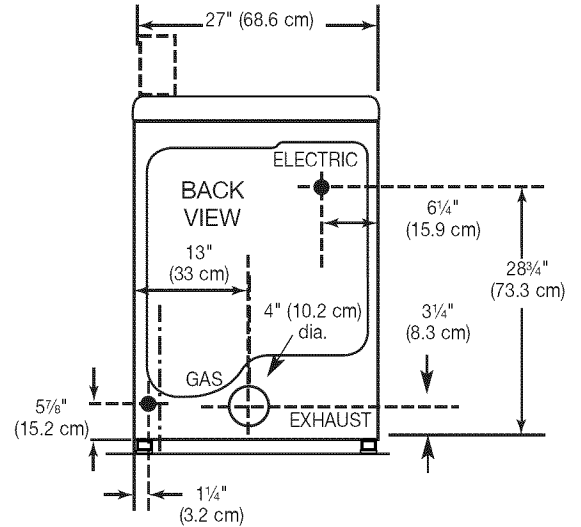
Minimum Installation Clearances



Additional clearances for wall, door, and floor moldings may be required or if external exhaust elbow is used.



*Opening is the minimum for a closet door. Louvered doors with equivalent air openings are acceptable.



⚠ WARNING



Electrical Shock Hazard

Plug into a grounded 3 prong outlet.

Do not remove ground prong.

Do not use an adapter.

Do not use an extension cord.

Failure to follow these instructions can result in death, fire, or electrical shock.

IMPORTANT: The dryer must be electrically grounded in accordance with local codes and ordinances or, in the absence of local codes, with the National Electrical Code, ANSI/NFPA 70, latest edition, or Canadian Electrical Code, CSA C22.1.

If codes permit and a separate ground wire is used, it is recommended that a qualified electrical installer determine that the ground path is adequate.

A copy of the above code standards can be obtained from:

National Fire Protection Association
One Batterymarch Park, Quincy, MA 02269

CSA International
8501 East Pleasant Valley Road
Cleveland, Ohio 44131-5575

- A 120 volt, 60 Hz, AC only, 15- or 20-amp, fused electrical circuit is required. A time-delay fuse or circuit breaker is also recommended. It is recommended that a separate circuit serving only this dryer be provided.

Recommended Ground Method

The dryer, when installed, must be electrically grounded in accordance with local codes or, in the absence of local codes, with the National Electrical Code, ANSI/NFPA 70, latest edition, or Canadian Electrical Code, CSA C22.1, and all local codes and ordinances.

GROUNDING INSTRUCTIONS

- For a grounded, cord-connected dryer:
This dryer must be grounded. In the event of malfunction or breakdown, grounding will reduce the risk of electric shock by providing a path of least resistance for electric current. This dryer is equipped with a cord having an equipment-grounding conductor and a grounding plug. The plug must be plugged into an appropriate outlet that is properly installed and grounded in accordance with all local codes and ordinances.

WARNING: Improper connection of the equipment-grounding conductor can result in a risk of electric shock. Check with a qualified electrician or service representative or personnel if you are in doubt as to whether the dryer is properly grounded. Do not modify the plug provided with the dryer: if it will not fit the outlet, have a proper outlet installed by a qualified electrician.

SAVE THESE INSTRUCTIONS

Electrical Requirements - U.S.A. Only

It is your responsibility

- To contact a qualified electrical installer.
- To be sure that the electrical connection is adequate and in conformance with the National Electrical Code, ANSI/NFPA 70-latest edition and all local codes and ordinances.

The National Electrical Code requires a 4-wire power supply connection for homes built after 1996, dryer circuits involved in remodeling after 1996, and all mobile home installations.

A copy of the above code standards can be obtained from: National Fire Protection Association, One Batterymarch Park, Quincy, MA 02269.
- To supply the required 3 or 4 wire, single phase, 120/240 volt, 60 Hz., AC only electrical supply (or 3 or 4 wire, 120/208 volt electrical supply, if specified on the serial/rating plate) on a separate 30-amp circuit, fused on both sides of the line. A time-delay fuse or circuit breaker is recommended. Connect to an individual branch circuit. Do not have a fuse in the neutral or grounding circuit.
- Do not use an extension cord.
- If codes permit and a separate ground wire is used, it is recommended that a qualified electrician determine that the ground path is adequate.

Electrical Connection

To properly install your dryer, you must determine the type of electrical connection you will be using and follow the instructions provided for it here.

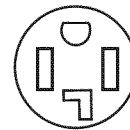
- This dryer is manufactured ready to install with a 3-wire electrical supply connection. The neutral ground conductor is permanently connected to the neutral conductor (white wire) within the dryer. If the dryer is installed with a 4-wire electrical supply connection, the neutral ground conductor must be removed from the external ground connector (green screw), and secured under the neutral terminal (center or white wire) of the terminal block. When the neutral ground conductor is secured under the neutral terminal (center or white wire) of the terminal block, the dryer cabinet is isolated from the neutral conductor.
- If local codes do not permit the connection of a neutral ground wire to the neutral wire, see "Optional 3-wire connection" section.
- A 4-wire power supply connection must be used when the appliance is installed in a location where grounding through the neutral conductor is prohibited. Grounding through the neutral is prohibited for (1) new branch-circuit installations, (2) mobile homes, (3) recreational vehicles, and (4) areas where local codes prohibit grounding through the neutral conductor.

If using a power supply cord:

Use a UL listed power supply cord kit marked for use with clothes dryers. The kit should contain:

- A UL listed 30-amp power supply cord, rated 120/240 volt minimum. The cord should be type SRD or SRDT and be at least 4 ft (1.22 m) long. The wires that connect to the dryer must end in ring terminals or spade terminals with upturned ends.
- A UL listed strain relief.

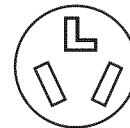
If your outlet looks like this:



4-wire receptacle (14-30R)

Then choose a 4-wire power supply cord with ring or spade terminals and UL listed strain relief. The 4-wire power supply cord, at least 4 ft (1.22 m) long, must have four 10-gauge copper wires and match a 4-wire receptacle of NEMA Type 14-30R. The ground wire (ground conductor) may be either green or bare. The neutral conductor must be identified by a white cover.

If your outlet looks like this:



3-wire receptacle (10-30R)

Then choose a 3-wire power supply cord with ring or spade terminals and UL listed strain relief. The 3-wire power supply cord, at least 4 ft (1.22 m) long, must have three 10-gauge copper wires and match a 3-wire receptacle of NEMA Type 10-30R.

If connecting by direct wire:

Power supply cable must match power supply (4-wire or 3-wire) and be:

- Flexible armored cable or nonmetallic sheathed copper cable (with ground wire), protected with flexible metallic conduit. All current-carrying wires must be insulated.
- 10-gauge solid copper wire (do not use aluminum).
- At least 5 ft (1.52 m) long.

GROUNDING INSTRUCTIONS


- For a grounded, cord-connected dryer:
This dryer must be grounded. In the event of malfunction or breakdown, grounding will reduce the risk of electric shock by providing a path of least resistance for electric current. This dryer uses a cord having an equipment-grounding conductor and a grounding plug. The plug must be plugged into an appropriate outlet that is properly installed and grounded in accordance with all local codes and ordinances.
- For a permanently connected dryer:
This dryer must be connected to a grounded metal, permanent wiring system, or an equipment-grounding conductor must be run with the circuit conductors and connected to the equipment-grounding terminal or lead on the dryer.

WARNING: Improper connection of the equipment-grounding conductor can result in a risk of electric shock. Check with a qualified electrician or service representative or personnel if you are in doubt as to whether the dryer is properly grounded. Do not modify the plug on the power supply cord: if it will not fit the outlet, have a proper outlet installed by a qualified electrician.

SAVE THESE INSTRUCTIONS

Electrical Requirements - Canada Only

⚠ WARNING



Electrical Shock Hazard

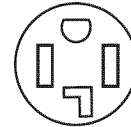
Plug into a grounded 4 prong outlet.

Failure to do so can result in death or electrical shock.

It is your responsibility

- To contact a qualified electrical installer.
- To be sure that the electrical connection is adequate and in conformance with the Canadian Electrical Code, C22.1-latest edition and all local codes. A copy of the above codes standard may be obtained from: Canadian Standards Association, 178 Rexdale Blvd., Toronto, ON M9W 1R3 CANADA.

- To supply the required 4 wire, single phase, 120/240 volt, 60 Hz., AC only electrical supply on a separate 30-amp circuit, fused on both sides of the line. A time-delay fuse or circuit breaker is recommended. Connect to an individual branch circuit.
- This dryer is equipped with a CSA International Certified Power Cord intended to be plugged into a standard 14-30R wall receptacle. The cord is 5 ft (1.52 m) in length. Be sure wall receptacle is within reach of dryer's final location.



4-wire receptacle (14-30R)

- Do not use an extension cord.
If you are using a replacement power supply cord, it is recommended that you use Power Supply Cord Replacement Part Number 9831317. For further information, please reference the service numbers located in the "Assistance or Service" section.

GROUNDING INSTRUCTIONS

- For a grounded, cord-connected dryer:
This dryer must be grounded. In the event of malfunction or breakdown, grounding will reduce the risk of electric shock by providing a path of least resistance for electric current. This dryer is equipped with a cord having an equipment-grounding conductor and a grounding plug. The plug must be plugged into an appropriate outlet that is properly installed and grounded in accordance with all local codes and ordinances.

WARNING: Improper connection of the equipment-grounding conductor can result in a risk of electric shock. Check with a qualified electrician or service representative or personnel if you are in doubt as to whether the dryer is properly grounded. Do not modify the plug provided with the dryer: if it will not fit the outlet, have a proper outlet installed by a qualified electrician.

SAVE THESE INSTRUCTIONS

Gas Supply Requirements

⚠ WARNING



Explosion Hazard

Use a new CSA International approved gas supply line.

Install a shut-off valve.

Securely tighten all gas connections.

If connected to LP, have a qualified person make sure gas pressure does not exceed 13" (33 cm) water column.

**Examples of a qualified person include:
licensed heating personnel,
authorized gas company personnel, and
authorized service personnel.**

Failure to do so can result in death, explosion, or fire.

IMPORTANT: Observe all governing codes and ordinances.

This installation must conform with all local codes and ordinances. In the absence of local codes, installation must conform with American National Standard, National Fuel Gas Code ANSI Z223.1/NFPA 54 or CAN/CSA B149.

A copy of the above code standards can be obtained from:

National Fire Protection Association
One Batterymarch Park, Quincy, MA 02269

CSA International
8501 East Pleasant Valley Road
Cleveland, Ohio 44131-5575

The design of this dryer has been certified by CSA International for use at altitudes up to 10,000 feet (3048 m) above sea level at the B.T.U. rating indicated on the model/serial plate. Burner input adjustments are not required when the dryer is operated up to this elevation.

When installed above 10,000 feet (3048 m), a four percent (4%) reduction of the burner B.T.U. rating shown on the model/serial plate is required for each 1,000 foot (305 m) increase in elevation. For assistance when converting to other gas types and/or installing above 10,000 feet (3048 m) elevation, contact your local service company.

Type of Gas

This dryer is equipped for use with natural gas. It is design-certified by CSA International for LP (propane and butane) gases with appropriate conversion. No attempt shall be made to convert the dryer from the gas specified on the serial/rating plate for use with a different gas without consulting the serving gas supplier. Conversion must be done by a qualified service technician. Gas conversion kit part numbers are listed on the gas valve burner base.

Gas Supply Line

Recommended method

- Provide a gas supply line of ½" rigid (IPS) pipe to the dryer location. Pipe joint compounds that resist the action of LP gas must be used. Do not use TEFLON®† tape with LP gas. Minimum tubing diameter for LP gas is ½". Usually, LP gas suppliers determine the size and materials used in the system.

Alternate method

- The gas supply may also be connected using ¾" approved copper or aluminum tubing. If the total length of the supply line is more than 20 ft. (6.1 m), larger tubing will be required. If using natural gas, do not use copper tubing. Pipe joint compounds that resist the action of LP gas must be used.

Flexible metal appliance connector:

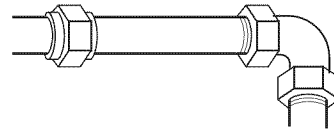
- It is recommended that a new flexible stainless steel gas line, design-certified by CSA International, be used for connecting the dryer to the gas supply line. (The gas pipe which extends through the lower rear of the dryer is provided with ¾" male pipe thread.)



- Do not kink or damage the flexible stainless steel gas line when moving the dryer.

Rigid pipe connection:

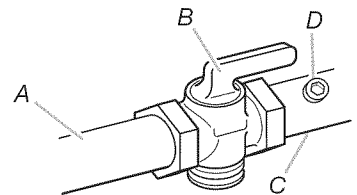
The rigid pipe connection requires a combination of pipe fittings to obtain an in-line connection to the dryer.



- Must include a shutoff valve:

The supply line must be equipped with a manual shutoff valve installed within 6 ft. (1.8 m) of dryer in accordance with National Fuel Gas Code, ANSI Z223.1. In Canada, an individual manual shutoff valve must be installed in accordance with the B149 installation codes CAN/CGA B149.1 and CAN/CGA B149.2. This valve should be located in the same room as the dryer. It should be in a location that allows ease of opening and closing. Do not block access to shutoff valve. The valve is for turning on or shutting off gas to the dryer.

- A. Gas supply line
- B. Shutoff valve "open" position
- C. To Dryer
- D. NPT fitting



†®TEFLON is a registered trademark of E.I. Du Pont De Nemours and Company.

- Installed in a confined area:

If the dryer is installed in a confined area such as a bathroom or closet, provision must be made for enough air for combustion and ventilation. Check governing codes and ordinances or refer to the "Recessed Area and Closet Installation Instructions" in the Location Requirements section.

Gas Supply Pressure Testing

A 1/8" NPT minimum plugged tapping, accessible for gauge testing, must be installed immediately upstream of the installed shut-off valve to the dryer.

The dryer must be disconnected from the gas supply piping system during any pressure testing of the system at test pressures in excess of 1/2" psig.

Venting Requirements

WARNING



Fire Hazard

- Use a heavy metal vent.**
- Do not use a plastic vent.**
- Do not use a metal foil vent.**
- Failure to follow these instructions can result in death or fire.**

WARNING: To reduce the risk of fire, this dryer **MUST BE EXHAUSTED OUTDOORS.**

- The dryer vent must not be exhausted into any gas vent, chimney, wall, ceiling, attic, crawlspace, or a concealed space of a building.
- Only rigid or flexible metal duct shall be used for exhausting.
- Do not use an exhaust hood with a magnetic latch.
- Do not install flexible metal vent in enclosed walls, ceilings, or floors.
- 4" (102 mm) heavy metal vent and clamps must be used. Do not use plastic or metal foil vent.
- Use clamps to seal all joints. The duct shall not be assembled with screws or other fastening means that extend into the duct and catch lint. Do not use duct tape.
- The total length of flexible metal vent shall not exceed 8 ft (2.4 m).

IMPORTANT: Observe all governing codes and ordinances.

Rigid metal vent is recommended to prevent crushing and kinking.

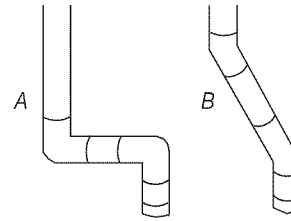
Flexible metal vent must be fully extended and supported when the dryer is in its final position. Remove excess flexible metal vent to avoid sagging and kinking that may result in reduced airflow and poor performance.

An exhaust hood should cap the vent to prevent rodents and insects from entering the home or business.

Exhaust hood must be at least 12" (30.5 cm) from the ground or any object that may be in the path of the exhaust (such as flowers, rocks, or bushes).

If using an existing vent system, clean lint from the entire length of the system and make sure exhaust hood is not plugged with lint. Replace any plastic or metal foil vent with rigid metal or flexible metal vent.

Plan installation to use the fewest number of elbows and turns.



Exhaust Air Flow
A. Good
B. Better

Allow as much room as possible when using elbows or making turns. Bend vent gradually to avoid kinking.

Vent outlet is located at the back of the dryer, at bottom center.

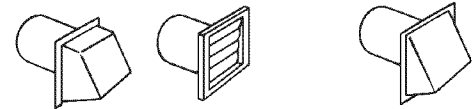
The vent can be routed up, down, left, right, behind the dryer, or straight out the back of the dryer.

Vent System Length

Maximum length of vent system depends upon the type of vent used, number of elbows, and type of exhaust hood. The maximum length for rigid vent is shown in the chart.

Maximum Vent Length

4" (10.2 cm) Diameter Exhaust Hoods



Rigid Metal Vent

No. of 90° turns	Box Hood and Louvered Style	Angled Hood Style
0	130 ft. (39.6 m)	129 ft. (39.3 m)
1	125 ft. (38.1 m)	119 ft. (36.3 m)
2	115 ft. (35.1 m)	109 ft. (33.2 m)
3	106 ft. (32.3 m)	100 ft. (30.5 m)
4	98 ft. (29.9 m)	92 ft. (28.0 m)

For vent systems not covered by the vent specification chart, see your parts distributor.

If dryer is installed in a confined area, such as a bedroom, bathroom, or closet, provision must be made for enough air for combustion and ventilation. (Check governing codes and ordinances.) See "Recessed Area and Closet Installation Instructions" in the Location Requirements section.

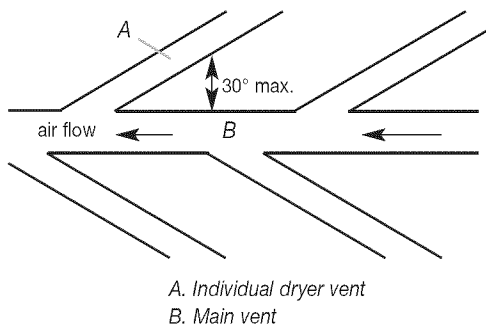
A 4" (10.2 cm) outlet hood is preferred. However, a 2 1/2" (6.4 cm) outlet exhaust hood may be used. A 2 1/2" (6.4 cm) outlet creates greater back pressure than other hood types. For permanent installation, a stationary vent system is required.

Multiple Dryer Venting

- A main vent can be used for venting a group of dryers. The main vent should be sized to remove 200 CFM of air per dryer. Large-capacity lint screens of proper design may be used in the main vent if checked and cleaned frequently. The room where the dryers are located should have make-up air equal to or greater than the CFM of all the dryers in the room.
- Back-draft Damper Kit, Whirlpool Part No. 3391910, is available from your dealer and should be installed in the vent of each dryer to prevent exhausted air from returning into the dryers and to keep the exhaust in balance within the main vent. Unobstructed air openings are required.

Each vent should enter the main vent at an angle pointing in the direction of the airflow. Vents entering from the opposite side should be staggered to reduce the exhausted air from interfering with the other vents.

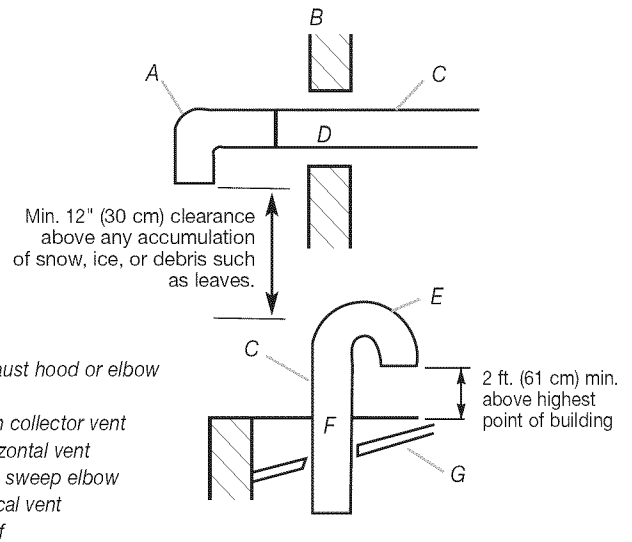
The maximum angle of each vent entering the main vent should be no more than 30°.



Keep air openings free of dry cleaning fluid fumes. Fumes create acids which, when drawn through the dryer heating units, can damage dryers and loads being dried.

A clean-out cover should be located on the main vent for periodic cleaning of the vent system

If an exhaust hood cannot be used:



The outside end of the main vent should have a sweep elbow directed downward. If the main vent travels vertically through the roof, rather than through the wall, install a 180° sweep elbow on the end of the vent at least 2 ft. (61 cm) above the highest part of the building. The opening in the wall or roof shall have a diameter ½" (1.3 cm) larger than the vent diameter. The vent should be centered in the opening.

Do not install screening or cap over the end of the vent.

INSTALLATION INSTRUCTIONS - COIN SLIDE AND COIN BOX

Install Coin Slide and Coin Box

The console houses the factory-installed accumulator timer with actuating arm and button.

The factory-installed timer is set to provide 45 minutes (4 pins) of drying time when activated by the coin slide. Timer cams for 30-minute (6 pins) and 60-minute (3 pins) drying times are included in the parts bag.

The coin slide mechanism, control panel lock and key, and coin box lock and key are not included and are available from usual industry sources.

⚠ WARNING

Excessive Weight Hazard

**Use two or more people to move and install dryer.
Failure to do so can result in back or other injury.**

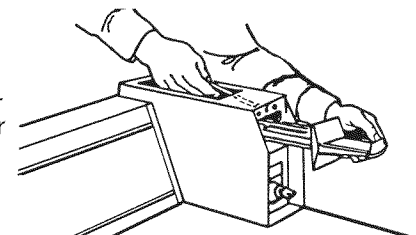
NOTE: Slide dryer onto cardboard or hardboard before moving to avoid damaging floor covering.

1. Using two or more people, move dryer to desired installation location.
2. Take tape off front corners of dryer. Open dryer and remove the literature and parts packages. Wipe the interior of the drum thoroughly with a damp cloth.

3. Take two of the cardboard corners from the carton and place them on the floor in back of the dryer. Firmly grasp the body of the dryer and gently lay it on its back on the cardboard corners.
4. With one of the legs in hand, check the ridges for a diamond marking. That's how far the leg is supposed to go into the hole.
5. Start to screw the leveling legs into the holes by hand. (Use a small amount of liquid detergent to lubricate the screw threads so it is easier to turn the legs.) Use a 1" wrench or socket wrench to finish turning the legs until you reach the diamond mark.

Now stand the dryer up.

6. Remove the service door of the meter case by lifting it up at the back. Install the money-accepting device. (Refer to manufacturer's instructions for proper installation.)



For dryers using coin slides, use the adapter kit supplied with the dryer.

7. Replace the meter case service door. Put the coin vault with lock and key in the meter case opening.
8. Remove cardboard or hardboard from under dryer. the legs of the dryer up or down until the dryer is level.

INSTALLATION INSTRUCTIONS - GAS DRYER

Make Gas Connection

⚠ WARNING

Excessive Weight Hazard

**Use two or more people to move and install dryer.
Failure to do so can result in back or other injury.**

1. Remove red cap from gas pipe on back of dryer.
2. Connect gas supply to dryer. Use a pipe thread compound approved for the type of gas supplied. If flexible metal tubing is used, be certain there are no kinks.
If necessary for service, open the front lower service panel by using a ¼" nutdriver to remove the 2 hex-head screws from the bottom of the panel. Then lift up on the panel while pulling the bottom of the panel away from the dryer.
3. Open the shutoff valve in the gas supply line and make sure the unit has its own gas supply opened.
4. Test all connections by brushing on an approved noncorrosive leak-detection solution. Bubbles will show a leak. Correct any leak found.

Connect Vent

1. Using a 4" (10.2 cm) clamp, connect vent to exhaust outlet in dryer. If connecting to existing vent, make sure the vent is clean. The dryer vent must fit over the dryer exhaust outlet and inside the exhaust hood. Make sure the vent is secured to exhaust hood with a 4" (10.2 cm) clamp.
2. Using two or more people, move dryer to desired installation location. Do not crush or kink vent. Make sure dryer is level.
3. Check to be sure there are no kinks in the flexible gas line.

Complete Installation

1. With dryer in final position, place level on top of the dryer, first side to side; then front to back. If the dryer is not level, adjust the legs of the dryer up or down until the dryer is level.

⚠ WARNING



Electrical Shock Hazard

Plug into a grounded 3 prong outlet.

Do not remove ground prong.

Do not use an adapter.

Do not use an extension cord.

Failure to follow these instructions can result in death, fire, or electrical shock.

2. Plug into a grounded 3 prong outlet.
3. Check dryer operation (some accumulated time may be on the timer due to factory testing):
Close dryer door. Insert coins in slide and press slide in slowly. (Operating time will accumulate per number of coins and type of timing cam used.) Select the Whites and Colors cycle and let the dryer run for at least five minutes.
NOTE:
Dryer door must be closed for dryer to operate.
4. Open the dryer door. Check that the inside of the dryer is warm. If the burner does not ignite and you can feel no heat inside the dryer, wait for five minutes. Check that all supply valve controls are in "ON" position and that the electrical cord is plugged in. Repeat five-minute test.
5. Check lint screen for debris and other obstructions.
6. Restart the dryer and allow it to complete the Whites and Colors cycle to make sure it is working properly.

INSTALLATION INSTRUCTIONS - ELECTRIC DRYER

Power Supply Cord

! WARNING



Fire Hazard

Use a new UL listed 30 amp power supply cord.

Use a UL listed strain relief.

Disconnect power before making electrical connections.

Connect neutral wire (white or center wire) to center terminal (silver).

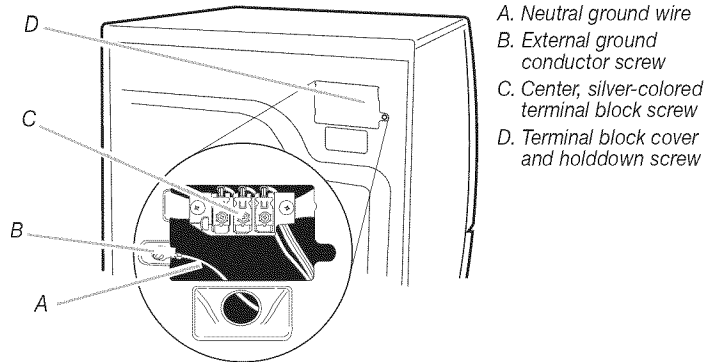
Ground wire (green or bare wire) must be connected to green ground connector.

Connect remaining 2 supply wires to remaining 2 terminals (gold).

Securely tighten all electrical connections.

Failure to do so can result in death, fire, or electrical shock.

2. Remove the hold-down screw and terminal block cover.
3. Install strain relief.



1. Disconnect power.

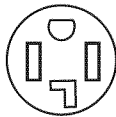
Electrical Connection Options

If your location has:

And you will be connecting to:

Go to Section

4-wire receptacle
(NEMA Type 14-30R)



A UL listed, 120/240-volt minimum, 30-amp, dryer power supply cord*

4-wire connection:
Power supply cord

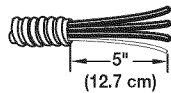
3-wire receptacle
(NEMA type 10-30R)



A UL listed, 120/240-volt minimum, 30-amp, dryer power supply cord*

3-wire connection:
Power supply cord

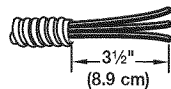
4-wire direct



A fused disconnect or circuit breaker box*

4-wire connection:
Direct Wire

3-wire direct



A fused disconnect or circuit breaker box*

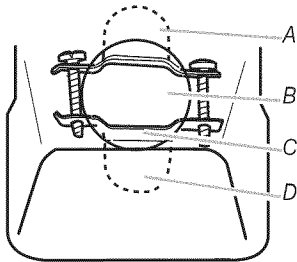
3-wire connection:
Direct Wire

*If local codes do not permit the connection of a cabinet-ground conductor to the neutral wire, go to "Optional 3-wire connection" section.

Power supply cord strain relief:

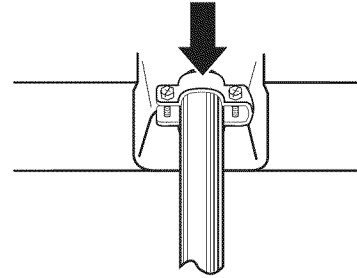
- Remove the screws from a $\frac{3}{4}$ " (1.9 cm) UL listed strain relief (UL marking on strain relief). Put the tabs of the two clamp sections into the hole below the terminal block opening so that one tab is pointing up and the other is pointing down, and hold in place.

Tighten strain relief screws enough to hold the two clamp sections together.



- A. Strain relief tab pointing up
- B. Hole below terminal block opening
- C. Clamp section
- D. Strain relief tab pointing down

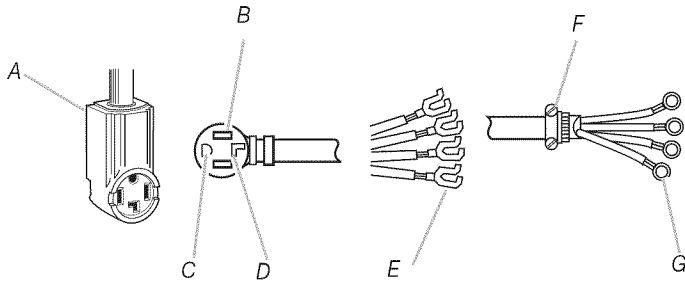
- Put power supply cord through the strain relief. Be sure that the wire insulation on the power supply cord is inside the strain relief. The strain relief should have a tight fit with the dryer cabinet and be in a horizontal position. Do not further tighten strain relief screws at this point.



- 5. Now complete installation following instructions for your type of electrical connection:
 - 4-wire** (recommended)
 - 3-wire** (if 4-wire is not available)

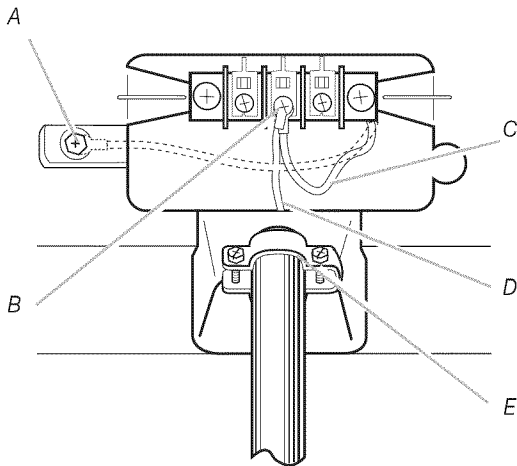
**Power supply cord,
4-wire connection:**

IMPORTANT: A 4-wire connection is required for mobile homes and where local codes do not permit the use of 3-wire connections.



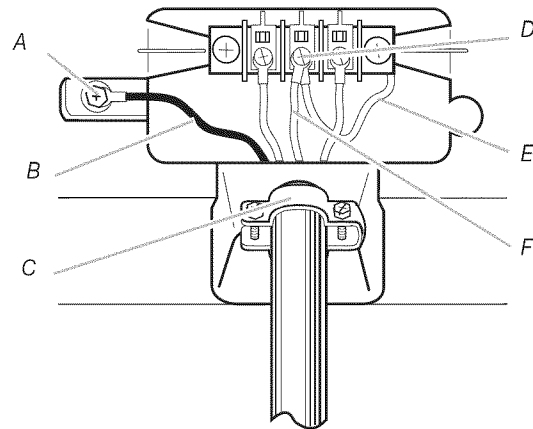
- A. 4-wire receptacle (NEMA type 14-30R)
- B. 4-prong plug
- C. Ground prong
- D. Neutral prong
- E. Spade terminals with upturned ends
- F. 3/4" (1.9 cm) UL listed strain relief
- G. Ring terminals

1. Remove center silver-colored terminal block screw.
2. Remove neutral ground wire from external ground conductor screw. Connect neutral ground wire and the neutral wire (white or center wire) of power supply cord under center, silver-colored terminal block screw. Tighten screw.



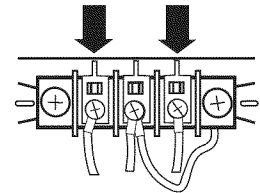
- A. External ground conductor screw - Dotted line shows position of NEUTRAL ground wire before being moved to center silver-colored terminal block screw.
- B. Center silver-colored terminal block screw
- C. Neutral ground wire
- D. Neutral wire (white or center wire)
- E. 3/4" (1.9 cm) UL listed strain relief

3. Connect ground wire (green or bare) of power supply cord to external ground conductor screw. Tighten screw.



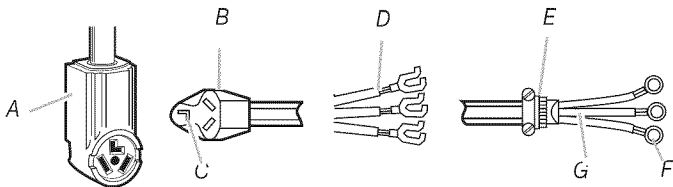
- A. External ground conductor screw
- B. Ground wire (green or bare) of power supply cord
- C. 3/4" (1.9 cm) UL listed strain relief
- D. Center silver-colored terminal block screw
- E. Neutral ground wire
- F. Neutral wire (white or center wire)

4. Connect the other wires to outer terminal block screws. Tighten screws.

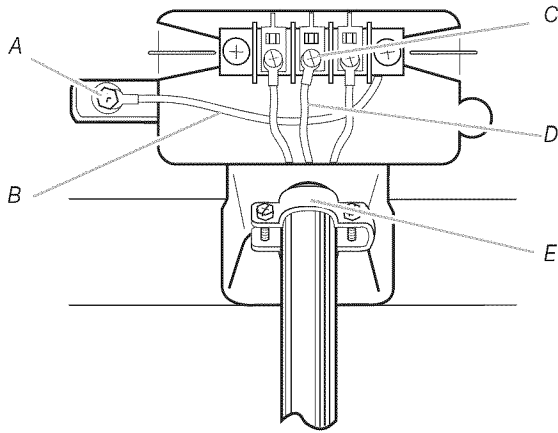


5. Tighten strain relief screws.
6. Insert tab of terminal block cover into slot of dryer rear panel. Secure cover with hold-down screw.
7. You have completed your electrical connection. Now go to "Venting Requirements."

**Power supply cord,
3-wire connection:**



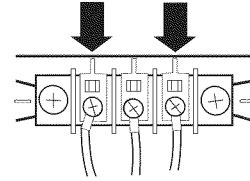
- A. 3-wire receptacle (NEMA type 10-30R)
- B. 3-wire plug
- C. Neutral prong
- D. Spade terminals with upturned ends
- E. 3/4" (1.9 cm) UL listed strain relief
- F. Ring terminals
- G. Neutral (white or center wire)



- A. External ground conductor screw
- B. Neutral ground wire
- C. Center silver-colored terminal block screw
- D. Neutral wire (white or center wire)
- E. 3/4" (1.9 cm) UL listed strain relief

Use where local codes permit connecting cabinet-ground conductor to neutral wire.

1. Loosen or remove center silver-colored terminal block screw.
2. Connect neutral wire (white or center wire) of power supply cord to the center, silver-colored terminal screw of the terminal block. Tighten screw.
3. Connect the other wires to outer terminal block screws. Tighten screws.



4. Tighten strain relief screws.
5. Insert tab of terminal block cover into slot of dryer rear panel. Secure cover with hold-down screw.
6. You have completed your electrical connection. Now go to "Venting Requirements."

Direct Wire Method – U.S. Only

⚠ WARNING



Fire Hazard

Use 10 gauge copper wire.

Use a UL listed strain relief.

Disconnect power before making electrical connections.

Connect neutral wire (white or center wire) to center terminal (silver).

Ground wire (green or bare wire) must be connected to green ground connector.

Connect remaining 2 supply wires to remaining 2 terminals (gold).

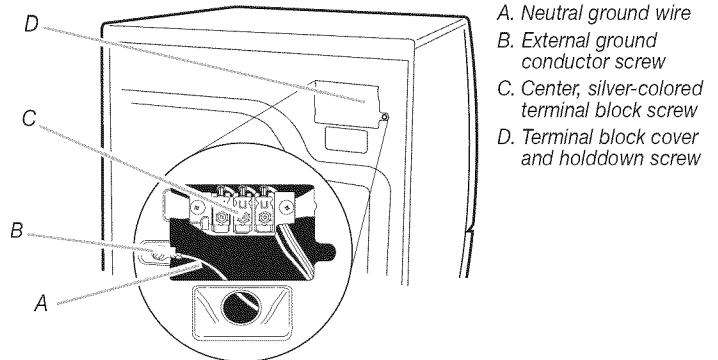
Securely tighten all electrical connections.

Failure to do so can result in death, fire, or electrical shock.

Direct wire cable must match power supply (4-wire or 3-wire) and be:

- Flexible armored cable or nonmetallic sheathed copper cable (with ground wire), protected with flexible metallic conduit. All current-carrying wires must be insulated.
- 10-gauge solid copper wire (do not use aluminum).
- At least 5 ft. (1.52 m) long.

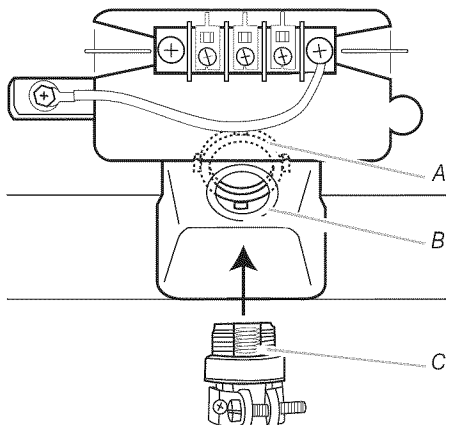
1. Disconnect power.
2. Remove hold-down screw and terminal block cover.



3. Install $\frac{3}{4}$ " conduit connector into the hole below the terminal block opening. Connect flexible metallic conduit and tighten connector screw. Install direct wire cable through the flexible metallic conduit.

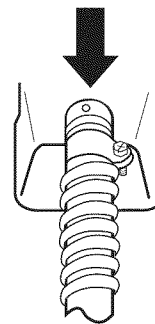
Direct wire strain relief:

- Unscrew the removable conduit connector and any screws from a $\frac{3}{4}$ " (1.9 cm) UL listed strain relief (UL marking on strain relief). Put the threaded section of the strain relief through the hole below the terminal block opening. Reaching inside the terminal block opening, screw the removable conduit connector onto the strain relief threads.



A. Removable conduit connector
B. Hole below terminal block opening
C. Strain relief threads

- Put direct wire cable through the strain relief. The strain relief should have a tight fit with the dryer cabinet and be in a horizontal position. Tighten strain relief screw against the direct wire cable.



5. Now complete installation following instructions for your type of electrical connection:

4-wire (recommended)

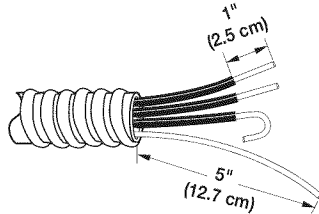
3-wire (if 4-wire is not available)

**Direct Wire,
4-wire connection:**

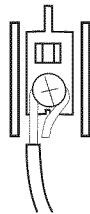
IMPORTANT: A 4-wire connection is required for mobile homes and where local codes do not permit the use of 3-wire connections.

Direct wire cable must have 5 ft (1.52 m) of extra length so dryer can be moved if needed.

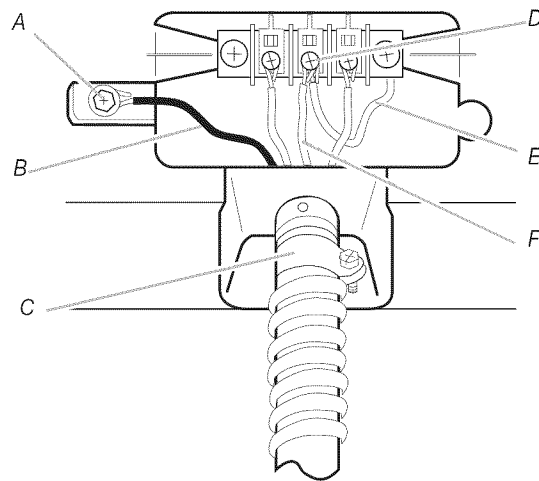
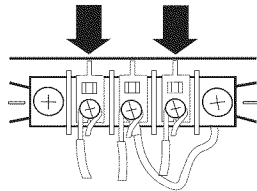
Strip 5" (12.7 cm) of outer covering from end of cable, leaving bare ground wire at 5" (12.7 cm). Cut 1½" (3.8 cm) from 3 remaining wires. Strip insulation back 1" (2.5 cm). Shape ends of wires into a hook shape.



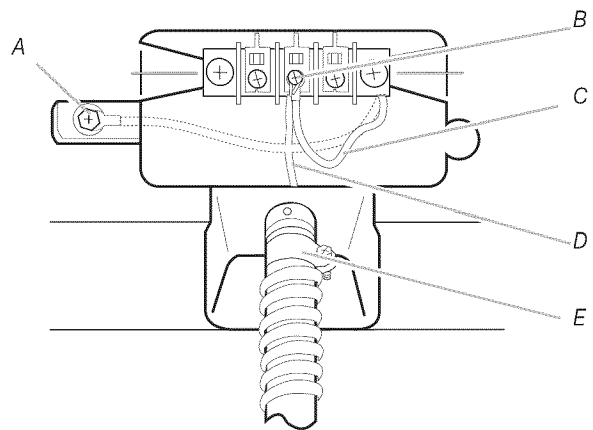
When connecting to the terminal block, place the hooked end of the wire under the screw of the terminal block (hook facing right), squeeze hooked end together and tighten screw, as shown.



1. Remove center silver-colored terminal block screw.
2. Remove neutral ground wire from external ground conductor screw. Connect neutral ground wire and place the hooked end (hook facing right) of the neutral wire (white or center wire) of direct wire cable under the center screw of the terminal block. Squeeze hooked ends together. Tighten screw.
3. Connect ground wire (green or bare) of direct wire cable to external ground conductor screw. Tighten screw.
4. Place the hooked ends of the other direct wire cable wires under the outer terminal block screws (hooks facing right). Squeeze hooked ends together. Tighten screws.
5. Tighten strain relief screw.
6. Insert tab of terminal block cover into slot of dryer rear panel. Secure cover with holddown screw.
7. You have completed your electrical connection. Now go to "Venting Requirements."



- A. External ground conductor screw
- B. Ground wire (green or bare) of power supply cable
- C. ¾" (1.9 cm) UL listed strain relief
- D. Center silver-colored terminal block screw
- E. Neutral ground wire
- F. Neutral wire (white or center wire)



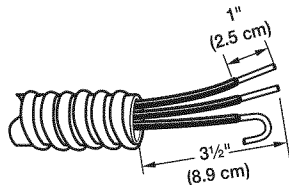
- A. External ground conductor screw - Dotted line shows position of NEUTRAL ground wire before being moved to center silver-colored terminal block screw.
- B. Center silver-colored terminal block screw
- C. Neutral ground wire
- D. Neutral wire (white or center wire)
- E. ¾" (1.9 cm) UL listed strain relief

**Direct wire,
3-wire connection:**

Use where local codes permit connecting cabinet-ground conductor to neutral wire.

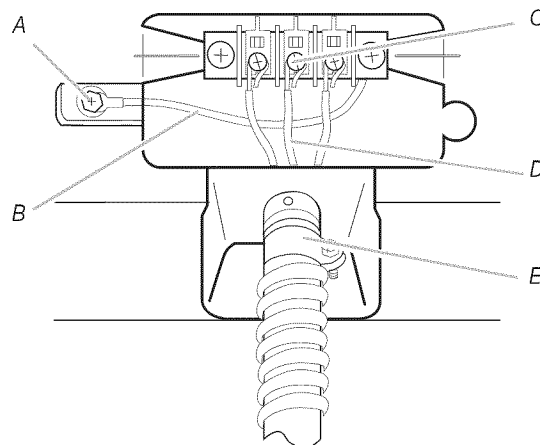
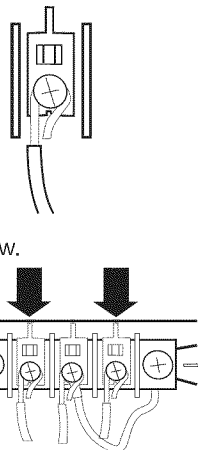
Direct wire cable must have 5 ft (1.52 m) of extra length so dryer can be moved if needed.

Strip 3½" (8.9 cm) of outer covering from end of cable. Strip insulation back 1" (2.5 cm). If using 3-wire cable with ground wire, cut bare wire even with outer covering. Shape ends of wires into a hook shape.



When connecting to the terminal block, place the hooked end of the wire under the screw of the terminal block (hook facing right), squeeze hooked end together, and tighten screw, as shown.

1. Loosen or remove center silver-colored terminal block screw.
2. Place the hooked end of the neutral wire (white or center wire) of direct wire cable under the center screw of terminal block (hook facing right). Squeeze hooked end together. Tighten screw.
3. Place the hooked ends of the other direct wire cable wires under the outer terminal block screws (hooks facing right). Squeeze hooked ends together. Tighten screws.
4. Tighten strain relief screw.
5. Insert tab of terminal block cover into slot of dryer rear panel. Secure cover with holddown screw.
6. You have completed your electrical connection. Now go to "Venting Requirements."

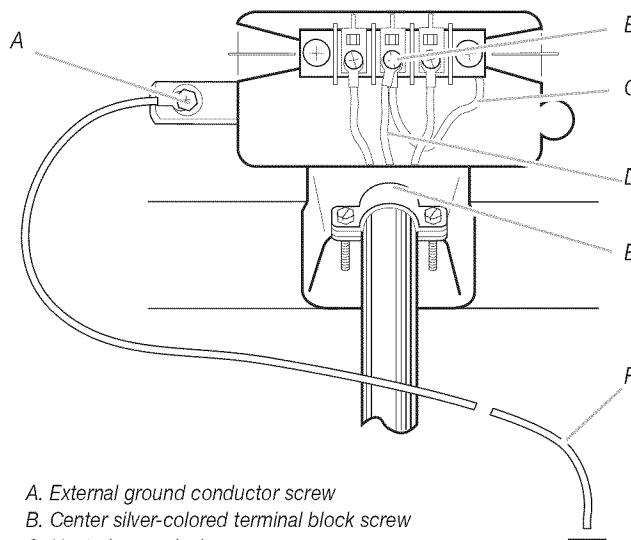


A. External ground conductor screw
B. Neutral ground wire
C. Center silver-colored terminal block screw
D. Neutral wire (white or center wire)
E. ¾" (1.9 cm) UL listed strain relief

**Optional,
3-wire connection:**

Use for direct wire or power supply cord where local codes do not permit connecting cabinet-ground conductor to neutral wire.

1. Remove center silver-colored terminal block screw.
2. Remove neutral ground wire from external ground conductor screw. Connect neutral ground wire and the neutral wire (white or center wire) of power supply cord/cable under center, silver-colored terminal block screw. Tighten screw.
3. Connect the other wires to outer terminal block screws. Tighten screws.
4. Tighten strain relief screws.
5. Connect a separate copper ground wire from the external ground conductor screw to an adequate ground.
6. Insert tab of terminal block cover into slot of dryer rear panel. Secure cover with holddown screw.



A. External ground conductor screw
B. Center silver-colored terminal block screw
C. Neutral ground wire
D. Neutral wire (white or center wire)
E. ¾" (1.9 cm) UL listed strain relief
F. Grounding path determined by a qualified electrician

Connect Vent

1. Using a 4" (10.2 cm) clamp, connect vent to exhaust outlet in dryer. If connecting to existing vent, make sure the vent is clean. The dryer vent must fit over the dryer exhaust outlet and inside the exhaust hood. Make sure the vent is secured to exhaust hood with a 4" (10.2 cm) clamp.
2. Move dryer into final position. Do not crush or kink vent. Make sure dryer is level.

Complete Installation

1. With dryer in final position, place level on top of the dryer, first side to side; then front to back. If the dryer is not level, adjust the legs of the dryer up or down until the dryer is level.
2. Plug in dryer or reconnect power.
3. Check dryer operation (some accumulated time may be on the timer due to factory testing):
Close dryer door. Insert coins in slide and press slide in slowly. (Operating time will accumulate per number of coins and type of timing cam used.) Select the Whites and Colors cycle and let the dryer run for at least five minutes.

NOTE:

Dryer door must be closed for dryer to operate.

4. Open the dryer door. Check that the inside of the dryer is warm. If the burner does not ignite and you can feel no heat inside the dryer, wait for five minutes. Check that all supply valve controls are in "ON" position and that the electrical cord is plugged in. Repeat five-minute test.
5. Check lint screen for debris and other obstructions.
6. Restart the dryer and allow it to complete the Whites and Colors cycle to make sure it is working properly.

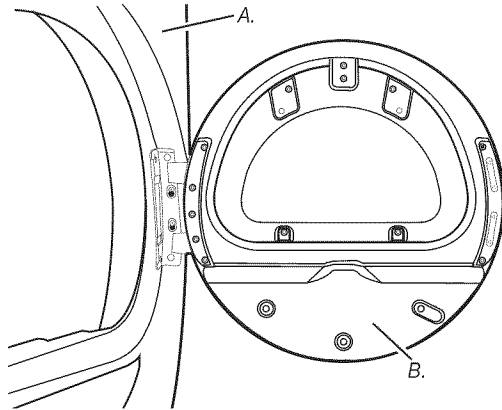
REVERSING THE DOOR SWING

You can change your door swing from a right-side opening to left-side opening, if desired.

Place a towel or soft cloth on top of the dryer or work space to protect the surface.

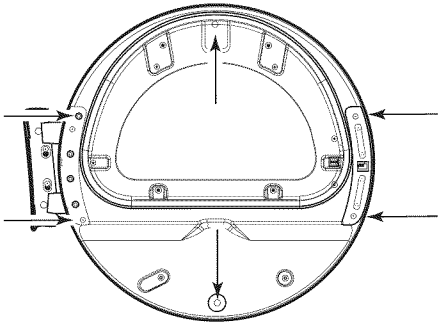
Remove the Door Assembly

1. Remove the 4 screws that hold the door hinge on the front panel of the dryer.

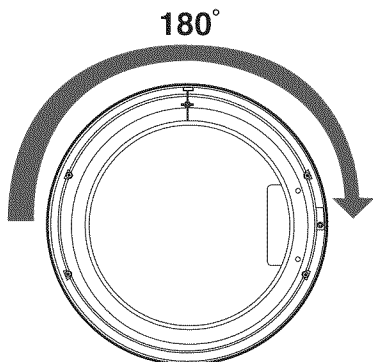


A. Dryer front panel
B. Door assembly

2. Lay the door assembly on a flat, protected surface with the inside (inner door assembly) facing up.
3. Remove the 6 Phillips head screws to release the outer door assembly from the inner door assembly, as indicated in the illustration below. It is important that you remove only the 6 indicated screws.

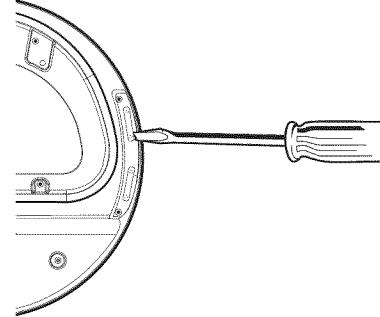


4. Lift the inner door assembly off the outer door assembly.
5. Rotate outer door 180°.

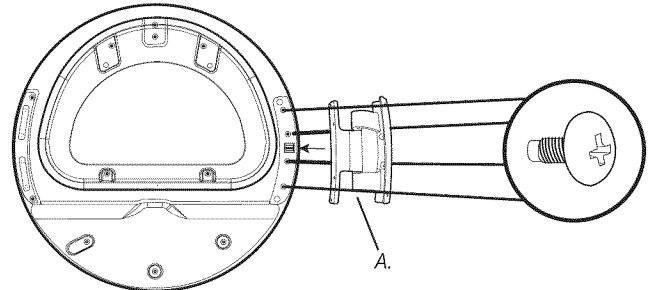


Reverse Hinge

1. Use a small flat-blade screwdriver to remove 2 plug strips from the inner door. Slide the head of the screwdriver under the plugs, being certain not to scratch the inner door surface. Lift up.

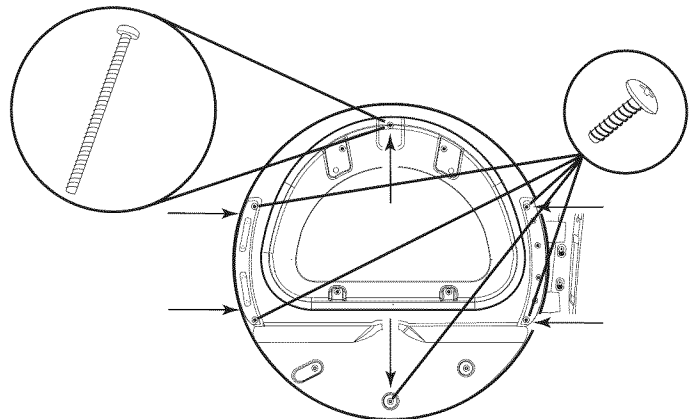


2. Remove the 4 screws that attach the door hinge and move the hinge to the other side. Reinstall the 4 screws.



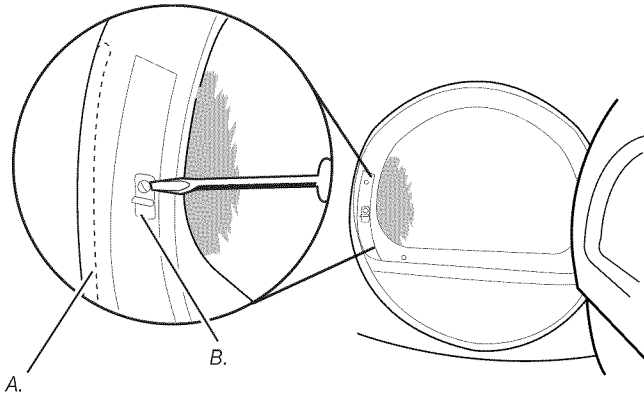
A. Door hinge

3. Reinstall plug strips on opposite side of the inner door.
4. Check for fingerprints on the inside of the glass. Clean glass if necessary.
5. Place the inner door assembly inside the outer door assembly. To fit correctly, the inner door assembly edge fits completely inside the outer door assembly edge.
6. Reassemble the inner and outer door assemblies with the 6 screws.



Reverse the strike

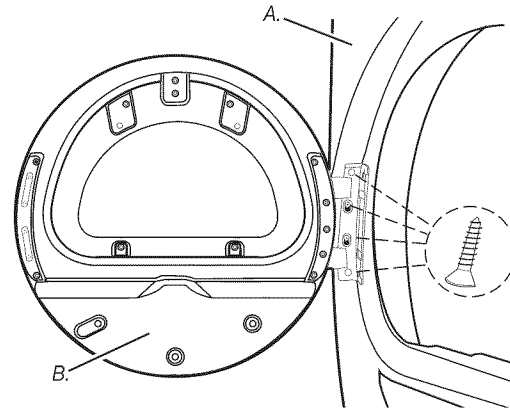
1. Use a small flat-blade screwdriver to remove plug strip from the dryer door opening. Slide the head of the screwdriver under the strip, being sure not to scratch the dryer surface. Lift up.
2. Remove the strike using a #2 Phillips screw driver.
3. Install strike on the opposite side.



A. Plug strip (cannot be seen from this angle)
B. Door catch

Reinstall the door

1. Reattach door to dryer front panel with the 4 screws.



A. Dryer front panel
B. Door assembly

2. Check for fingerprints on the inside of the glass. Clean glass if necessary.
3. Close door and check that it latches securely.

ELECTRONIC CONTROL SETUP

See Tech Sheet for information on setup.

MAINTENANCE INSTRUCTIONS

Maintenance instructions:

- Clean lint screen after each cycle.
- Removing accumulated lint:
 - From inside the dryer cabinet:
Lint should be removed every 2 years or more often, depending on dryer usage. Cleaning should be done by a qualified person.
 - From the exhaust vent:
Lint should be removed every 2 years, or more often, depending on dryer usage.
- Keep area around dryer clear and free from combustible materials, gasoline and other flammable vapors and liquids.
- Keep dryer area clear and free from items that would obstruct the flow of combustion and ventilation air.

If dryer does not operate, check the following:

- Electric supply is connected.
- Circuit breaker is not tripped or house fuse is not blown.
- Door is closed.
- Controls are set in a running or "ON" position.
- START button has been pushed firmly.
- For gas dryers, check that gas supply shutoff valves are set in open position.

If you need assistance:

The Commercial Laundry Support Center will answer any questions about operating or maintaining your dryer not covered in the Installation Instructions. The Commercial Laundry Support Center is open 24 hours a day, 7 days a week. Just dial 1-800 NO BELTS (1-800-662-3587) — the call is toll free.

When you call, you will need the dryer model number and serial number. Both numbers can be found on the serial-rating plate located in the dryer door well.

WHIRLPOOL COMMERCIAL LAUNDRY WARRANTY:

CAM2752, CEM2750, CGM2751, CAM2762, CEM2760, CGM2761, CSP2760, CSP2761, CEW9100, CGW9100, CHW9900

LIMITED WARRANTY

For the first three years from the date of purchase, when this commercial appliance is installed, maintained, and operated according to the instructions attached to or furnished with the product, Whirlpool Corporation (hereafter "Whirlpool") will pay for factory specified parts or original equipment manufacturer parts to correct defects in materials or workmanship that existed when this major appliance was purchased. YOUR SOLE AND EXCLUSIVE REMEDY UNDER THIS LIMITED WARRANTY SHALL BE PRODUCT REPAIR AS PROVIDED HEREIN. Proof of original purchase date is required to obtain service under this warranty.

ITEMS WHIRLPOOL WILL NOT PAY FOR

This limited warranty does not cover:

1. Costs including transportation, shipping, or custom duties for covered parts.
 2. Service calls to correct the installation of your commercial appliance, to instruct you how to use your commercial appliance, to replace or repair fuses, or to correct external wiring or plumbing.
 3. Replacement parts or repair labor if this commercial appliance is used for other than normal, commercial use or when it is used in a manner that is inconsistent to published user or operator instructions and/or installation instructions.
 4. Damage resulting from improper handling of product during delivery, theft, accident, alteration, misuse, abuse, fire, flood, acts of God, improper installation, installation not in accordance with local electrical or plumbing codes, or use of products not approved by Whirlpool.
 5. Pickup and Delivery. This commercial appliance is designed to be repaired on location.
 6. Repairs to parts or systems resulting from unauthorized modifications made to the commercial appliance.
 7. The removal and reinstallation of your commercial appliance if it is installed in an inaccessible location or is not installed in accordance with published installation instructions.
 8. Damage resulting from exposure to chemicals.
 9. Changes to the building, room, or location needed in order to make the commercial appliance operate correctly.
-

DISCLAIMER OF IMPLIED WARRANTIES

IMPLIED WARRANTIES, INCLUDING ANY IMPLIED WARRANTY OF MERCHANTABILITY OR IMPLIED WARRANTY OF FITNESS FOR A PARTICULAR PURPOSE, ARE LIMITED TO THREE YEARS OR THE SHORTEST PERIOD ALLOWED BY LAW. Some states and provinces do not allow limitations on the duration of implied warranties of merchantability or fitness, so this limitation may not apply to you. This warranty gives you specific legal rights, and you also may have other rights that vary from state to state or province to province.

LIMITATION OF REMEDIES; EXCLUSION OF INCIDENTAL AND CONSEQUENTIAL DAMAGES

YOUR SOLE AND EXCLUSIVE REMEDY UNDER THIS LIMITED WARRANTY SHALL BE PRODUCT REPAIR AS PROVIDED HEREIN. WHIRLPOOL SHALL NOT BE LIABLE FOR INCIDENTAL OR CONSEQUENTIAL DAMAGES. Some states and provinces do not allow the exclusion or limitation of incidental or consequential damages, so these limitations and exclusions may not apply to you. This warranty gives you specific legal rights, and you also may have other rights that vary from state to state or province to province.

If you need service, please contact your authorized Whirlpool Commercial Laundry distributor. To locate your authorized Whirlpool Commercial Laundry distributor, or for web inquiries, visit www.WhirlpoolCommercialLaundry.com.

For written correspondence:

Whirlpool Commercial Laundry Service Department
2000 N M 63
Benton Harbor, MI 49022-2632 USA

SÉCURITÉ DE LA SÈCHEUSE

Votre sécurité et celle des autres est très importante.

Nous donnons de nombreux messages de sécurité importants dans ce manuel et sur votre appareil ménager. Assurez-vous de toujours lire tous les messages de sécurité et de vous y conformer.



Voici le symbole d'alerte de sécurité.

Ce symbole d'alerte de sécurité vous signale les dangers potentiels de décès et de blessures graves à vous et à d'autres.

Tous les messages de sécurité suivront le symbole d'alerte de sécurité et le mot "DANGER" ou "AVERTISSEMENT". Ces mots signifient :

! DANGER

Risque possible de décès ou de blessure grave si vous ne suivez pas immédiatement les instructions.

! AVERTISSEMENT

Risque possible de décès ou de blessure grave si vous ne suivez pas les instructions.

Tous les messages de sécurité vous diront quel est le danger potentiel et vous disent comment réduire le risque de blessure et ce qui peut se produire en cas de non-respect des instructions.

- On recommande que le propriétaire place les instructions à l'usage du client à un endroit bien visible, pour le cas où le client percevrait une odeur de gaz. Ces renseignements doivent être obtenus auprès de votre fournisseur de gaz.
- Placer l'avertissement qui suit à un endroit bien visible.

POUR VOTRE SÉCURITÉ

Ne pas entreposer ni utiliser de l'essence ou d'autres produits liquides ou gazeux inflammables à proximité de cet appareil ou de tout autre appareil électroménager.



AVERTISSEMENT - "Risque d'incendie"

- L'installation de la sècheuse à linge doit être effectuée par un installateur qualifié.
- Installer la sècheuse conformément aux instructions du fabricant et aux codes locaux.
- Ne pas installer de sècheuse à linge avec des matériaux d'évacuation en plastique souple. Si un conduit métallique souple (de type papier d'aluminium) est installé, celui-ci doit être d'un type spécifique identifié par le fabricant de l'appareil et convenir à une utilisation avec les sècheuses à linge. Les matériaux d'évacuation souples sont connus pour s'affaisser, être facilement écrasés et bloquer la charpie. Ces situations obstrueront le débit d'air de la sècheuse à linge et augmenteront le risque d'incendie.
- Pour réduire le risque de blessure grave ou de décès, suivre toutes les instructions d'installation.
- Conserver ces instructions.

AVERTISSEMENT : Pour votre sécurité, les renseignements dans ce manuel doivent être observés pour réduire au minimum les risques d'incendie ou d'explosion ou pour éviter des dommages au produit, des blessures ou un décès.

- Ne pas entreposer ou utiliser de l'essence ou d'autres vapeurs ou liquides inflammables à proximité de cet appareil ou de tout autre appareil électroménager.
- **QUE FAIRE DANS LE CAS D'UNE ODEUR DE GAZ :**
 - Ne pas tenter d'allumer un appareil.
 - Ne pas toucher à un commutateur électrique; ne pas utiliser le téléphone se trouvant sur les lieux.
 - Évacuer tous les gens de la pièce, de l'édifice ou du quartier.
 - Appeler immédiatement le fournisseur de gaz d'un téléphone voisin. Suivre ses instructions.
 - À défaut de joindre votre fournisseur de gaz, appeler les pompiers.
- L'installation et l'entretien doivent être effectués par un installateur qualifié, une agence de service ou le fournisseur de gaz.

AVERTISSEMENT : L'odorat ne permet pas toujours la détection d'une fuite de gaz.

Les distributeurs de gaz recommandent l'emploi d'un détecteur de gaz (homologation UL ou CSA).

Pour d'autre information, contacter le fournisseur de gaz local.

En cas de détection d'une fuite de gaz, exécuter les instructions "Que faire dans le cas d'une odeur de gaz".

IMPORTANTES INSTRUCTIONS DE SÉCURITÉ

AVERTISSEMENT : Pour réduire le risque d'incendie, de choc électrique ou de blessure lors de l'utilisation de la sècheuse, il convient d'observer certaines précautions élémentaires dont les suivantes :

- Lire toutes les instructions avant d'utiliser la sècheuse.
- Ne pas placer des articles exposés aux huiles de cuisson dans votre sècheuse. Les articles contaminés par des huiles de cuisson peuvent contribuer à une réaction chimique qui pourrait causer à la charge de s'enflammer.
- Ne pas faire sécher dans la machine des articles qui ont déjà été nettoyés, lavés, imbibés, ou tachés d'essence, de solvants pour nettoyage à sec, d'autres substances inflammables, ou de substances explosives puisqu'elles dégagent des vapeurs qui peuvent provoquer un incendie ou une explosion.
- Ne pas permettre à des enfants de jouer sur ou à l'intérieur de la sècheuse. Une surveillance étroite est nécessaire lorsque la sècheuse est utilisée près d'eux.
- Avant d'enlever la sècheuse du service ou la jeter, enlever la porte du compartiment de séchage.
- Ne pas mettre la main dans la sècheuse si le tambour est en mouvement.
- Ne pas installer ni entreposer la sècheuse où elle sera exposée aux intempéries.
- Ne pas jouer avec les commandes.
- Ne pas réparer ni remplacer une pièce de la sècheuse ou essayer d'en faire l'entretien à moins d'une recommandation spécifique dans le guide d'utilisation et d'entretien, ou publiée dans les instructions de réparation par l'utilisateur que vous comprenez et pouvez exécuter avec compétence.
- Ne pas utiliser un produit assouplissant de tissu ou des produits pour éliminer la statique à moins qu'ils ne soient recommandés par le fabricant du produit assouplissant de tissu ou du produit.
- Ne pas utiliser la chaleur pour faire sécher des articles fabriqués avec du caoutchouc mousse ou des matériaux semblables.
- Nettoyer le filtre à charpie avant et après chaque charge.
- Ne pas laisser la charpie, la poussière, ou la saleté s'accumuler autour du système d'évacuation ou autour de l'appareil.
- Un nettoyage périodique de l'intérieur de la sècheuse et du conduit d'évacuation doit être effectué par une personne qualifiée.
- Voir les instructions d'installation pour les exigences de liaison de l'appareil à la terre.

CONSERVEZ CES INSTRUCTIONS

IMPORTANT : L'installation du gaz doit se conformer aux codes locaux, ou en l'absence de codes locaux, au code canadien d'installation B149.1 du gaz naturel ou du propane.

La sècheuse doit être électriquement reliée à la terre conformément aux codes locaux, ou en l'absence de codes locaux, au Code canadien de l'électricité, CSA C22.1.

EXIGENCES D'INSTALLATION

Outillage et pièces

Rassembler les outils et pièces nécessaires avant de commencer l'installation. Lire et respecter les instructions d'installation fournies avec chacun des outils de cette liste.

Outillage nécessaire

- Clé à tube de 8" ou 10"
- Clé à molette de 8" ou 10"
- Tournevis à lame plate
- Tournevis Phillips
- Tournevis de sécurité TORX® T-20
- Clé à molette avec ouverture jusqu'à 1" (2,5 cm) ou clé à douille hexagonale
- Niveau
- Clé à douille de 5/16"
- Couteau utilitaire
- Bride de fixation
- Composé d'étanchéité des raccords filetés - résistant au propane
- Pistolet à calfeutrage et composé de calfeutrage (pour l'installation d'un nouveau circuit d'évacuation)
- Pince
- Couteau à mastic

Pièces fournies

Retirer le sac de pièces du tambour de la sècheuse. Vérifier la présence de toutes les pièces.

- Patin (4)
- Pied de la sècheuse (4)

Exigences d'emplacement

AVERTISSEMENT



Risque d'explosion

Garder les matières et les vapeurs inflammables, telle que l'essence, loin de la sècheuse.

Ne pas installer dans un garage.

Le non-respect de ces instructions peut causer un décès, une explosion ou un incendie.

Pour l'installation d'une sècheuse à gaz :

IMPORTANT : Respecter les dispositions de tous les codes et règlements en vigueur.

- Déterminer les exigences des codes : Certains codes limitent ou prohibent l'installation d'une sècheuse dans un garage, un placard, ou une chambre à coucher. Consulter l'inspecteur local des bâtiments.

- Veiller à ce que les bords inférieurs de la caisse ainsi que l'arrière et les côtés inférieurs de la sècheuse soient exempts d'obstructions, afin de permettre le passage adéquat de l'air de combustion. Voir la section "Instructions d'installation dans un encastrement ou un placard" pour l'espace de dégagement minimal.

NOTE : La sècheuse ne doit pas être installée en un endroit où elle serait exposée à de l'eau ou aux intempéries.

Instructions pour l'installation dans un encastrement ou un placard

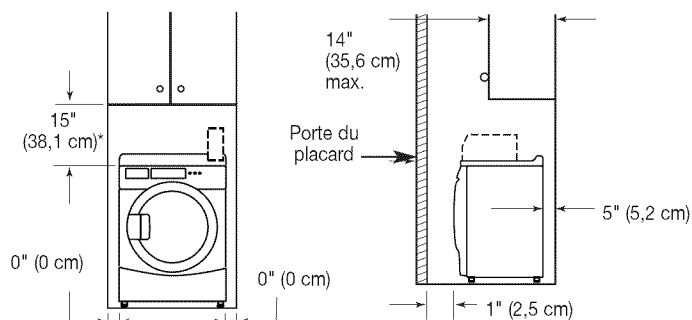
Cette sècheuse peut être installée dans un placard ou un encastrement. Pour l'installation dans un placard ou un encastrement, on doit respecter les distances de séparation minimales mentionnées sur la plaque signalétique de la sècheuse.

Les distances de séparation sont exprimées en pouces; il s'agit des distances minimales. Il est utile de prévoir des distances de séparation supérieures pour faciliter l'installation et les travaux d'entretien, ou si ceci est exigé par les codes et règlements locaux.

Si la porte du placard est installée, on doit respecter la taille minimale des ouvertures d'entrée d'air au sommet et en bas. On peut utiliser une porte à jalousies offrant une surface de passage d'air équivalente.

Le circuit d'évacuation de la sècheuse doit être relié à l'extérieur. Aucun autre appareil utilisant un combustible ne doit être installé dans le même placard.

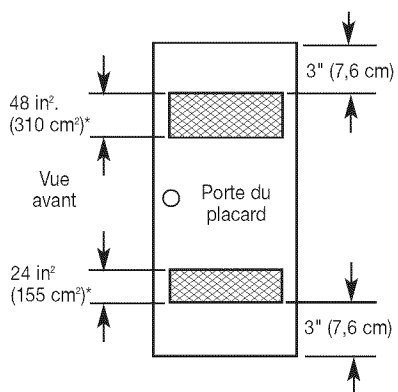
Distances de séparation minimales



Encastrement, vue avant

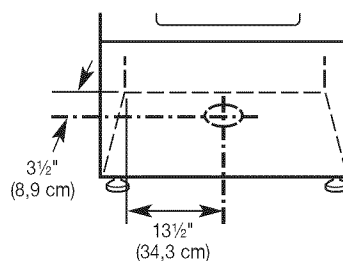
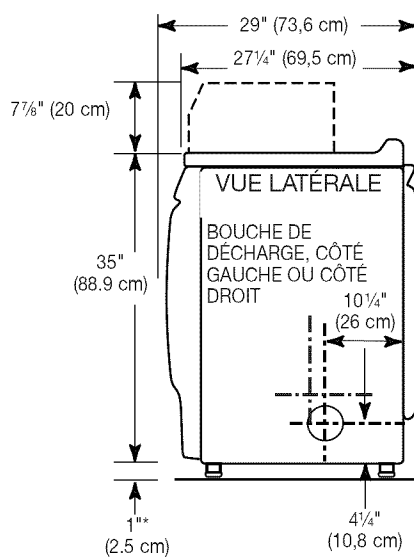
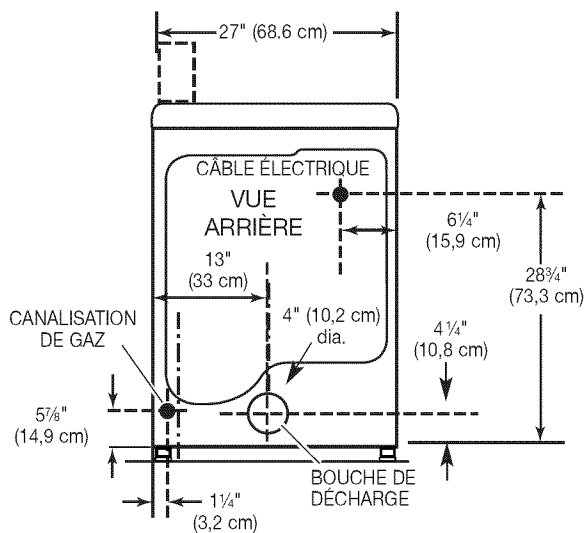
Placard, vue latérale

On doit prévoir un espacement additionnel pour tenir compte éventuellement des moulures du mur, de la porte et du plancher, ou si le circuit d'évacuation comporte un coude.



* Taille minimale de l'ouverture pour la porte du placard. On peut utiliser une porte à jalousies offrant une surface de passage d'air équivalente.

Dimensions du produit – Sécheuse de 27" (68,6 cm)



⚠ AVERTISSEMENT



Risque de choc électrique

Brancher sur une prise à 3 alvéoles reliée à la terre.

Ne pas enlever la broche de liaison à la terre.

Ne pas utiliser un adaptateur.

Ne pas utiliser un câble de rallonge.

Le non-respect de ces instructions peut causer un décès, un incendie ou un choc électrique.

IMPORTANT : La sècheuse doit être électriquement reliée à la terre conformément aux prescriptions des codes et règlements locaux; en l'absence de code local, respecter les prescriptions du code national en vigueur : National Electrical Code, ANSI/NFPA 70 (édition la plus récente), ou Code canadien de l'électricité, CSA C22.1.

Si un conducteur distinct de liaison à la terre est utilisé (lorsque le code en vigueur le permet), on recommande qu'un électricien qualifié vérifie la qualité de la liaison à la terre.

On peut obtenir un exemplaire du code national en vigueur à l'adresse suivante :

National Fire Protection Association
One Batterymarch Park, Quincy, MA 02269

CSA International
8501 East Pleasant Valley Road
Cleveland, Ohio 44131-5575

- L'appareil doit être alimenté par un circuit électrique de 120 V (CA seulement), 60 Hz, protégé par un fusible de 15 ou 20 A. On recommande l'emploi d'un fusible temporisé ou d'un disjoncteur. Il est également recommandé d'utiliser un circuit séparé pour la sècheuse.

Méthode recommandée de liaison à la terre

Après l'installation, la sècheuse doit être électriquement reliée à la terre conformément aux prescriptions des codes et règlements locaux; en l'absence de code local, respecter les prescriptions du code national en vigueur : National Electrical Code, ANSI/NFPA 70 (édition la plus récente), ou Code canadien de l'électricité, CSA C22.1, ainsi que celles des codes et règlements locaux.

INSTRUCTIONS DE LIAISON À LA TERRE

- Pour une sècheuse reliée à la terre et connectée par un cordon :

Cette sècheuse doit être reliée à la terre. En cas de mauvais fonctionnement ou de panne, la liaison à la terre réduira le risque de choc électrique en offrant au courant électrique un acheminement d'évacuation de moindre résistance. Cette sècheuse est alimentée par un cordon électrique comportant un conducteur relié à la terre et une fiche de branchement munie d'une broche de liaison à la terre. La fiche doit être branchée sur une prise appropriée qui est bien installée et reliée à la terre conformément à tous les codes et règlements locaux.

AVERTISSEMENT : Le raccordement incorrect de cet appareil au conducteur de liaison à la terre peut susciter un risque de choc électrique. En cas de doute quant à la qualité de liaison à la terre de la sècheuse, consulter un électricien ou un technicien ou un personnel qualifié. Ne pas modifier la fiche de branchement fournie avec la sècheuse; si la fiche ne correspond pas à la configuration de la prise de courant, demander à un électricien qualifié d'installer une prise de courant appropriée.

CONSERVEZ CES INSTRUCTIONS

Spécifications électriques -
Pour le Canada seulement

AVERTISSEMENT



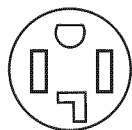
Risque de choc électrique

Brancher sur une prise à 4 alvéoles reliée à la terre.

Le non-respect de cette instruction peut causer un décès ou un choc électrique.

C'est à l'utilisateur qu'incombe la responsabilité de

- Communiquer avec un électricien qualifié.
- S'assurer que les connexions électriques sont adéquates et conformes au Code canadien de l'électricité, C22.1 - dernière édition et à tous les codes locaux. Pour obtenir un exemplaire de la norme des codes ci-dessus, contacter : Association canadienne de normalisation, 178 Rexdale Blvd., Toronto, ON M9W 1R3 CANADA.
- Alimenter l'appareil uniquement par un circuit monophasé de 120/240 volts CA seulement, 60 Hz à 4 fils, sur un circuit séparé de 30 ampères, fusionné aux deux extrémités de la ligne. On recommande l'emploi d'un fusible temporisé ou disjoncteur. On recommande également que cet appareil soit alimenté par un circuit indépendant.
- Cette sècheuse est équipée d'un cordon électrique homologué par la CSA International à introduire dans une prise murale standard 14-30R. Le cordon mesure 5 pi (1,52 m). Veiller à ce que la prise murale se trouve à proximité de l'emplacement définitif de la sècheuse.



Prise murale à 4 fils 14-30R

- Ne pas utiliser un câble de rallonge.
Si on utilise un cordon d'alimentation de rechange, il est recommandé d'utiliser le cordon d'alimentation de rechange numéro de pièce 9831317. Pour plus d'information, veuillez consulter les numéros de service qui se trouvent à la section "Assistance ou service".

INSTRUCTIONS DE LIAISON À LA TERRE

- Pour une sècheuse reliée à la terre et connectée par un cordon :

Cette sècheuse doit être reliée à la terre. En cas de mauvais fonctionnement ou de panne, la liaison à la terre réduira le risque de choc électrique en offrant au courant électrique un acheminement d'évacuation de moindre résistance. Cette sècheuse est alimentée par un cordon électrique comportant un conducteur relié à la terre et une fiche de branchement munie d'une broche de liaison à la terre. La fiche doit être branchée sur une prise appropriée qui est bien installée et reliée à la terre conformément à tous les codes et règlements locaux.

AVERTISSEMENT : Le raccordement incorrect de cet appareil au conducteur de liaison à la terre peut susciter un risque de choc électrique. En cas de doute quant à la qualité de liaison à la terre de la sècheuse, consulter un électricien ou un technicien ou un personnel qualifié. Ne pas modifier la fiche de branchement fournie avec la sècheuse; si la fiche ne correspond pas à la configuration de la prise de courant, demander à un électricien qualifié d'installer une prise de courant appropriée.

CONSERVEZ CES INSTRUCTIONS

⚠ AVERTISSEMENT



Risque d'explosion

Utiliser une canalisation neuve d'arrivée de gaz approuvée par la CSA International.

Installer un robinet d'arrêt.

Bien serrer chaque organe de connexion de la canalisation de gaz.

En cas de connexion au gaz propane, demander à une personne qualifiée de s'assurer que la pression de gaz ne dépasse pas 36 cm (14 po) de la colonne d'eau.

Par personne qualifiée, on comprend :

le personnel autorisé de chauffage, le personnel autorisé d'une compagnie de gaz, et le personnel d'entretien autorisé.

Le non-respect de ces instructions peut causer un décès, une explosion ou un incendie.

IMPORTANT : Respecter les dispositions de tous les codes et règlements en vigueur.

L'installation doit satisfaire aux critères de tous les codes et règlements locaux. En l'absence de code local, l'installation doit satisfaire aux prescriptions du National Fuel Gas Code ANSI Z223.1/NFPA 54 (American National Standard) ou CAN/CSA B149.

On peut obtenir un exemplaire du code national en vigueur à l'adresse suivante :

National Fire Protection Association
One Batterymarch Park, Quincy, MA 02269

CSA International
8501 East Pleasant Valley Road
Cleveland, Ohio 44131-5575

La conception de cette sècheuse a été homologuée par CSA International pour l'utilisation jusqu'à une altitude de 10 000 pi (3048 m) au-dessus du niveau de la mer, pour le débit thermique indiqué sur la plaque signalétique. Aucun réglage du brûleur n'est nécessaire lorsque la sècheuse est utilisée à une altitude inférieure à cette valeur maximale.

Si la sècheuse doit être utilisée à une altitude supérieure à 10 000 pi (3048 m), on doit réduire de 4 % le débit thermique du brûleur indiqué sur la plaque signalétique pour chaque tranche de 1000 pi (305 m) d'augmentation de l'altitude. Consulter votre compagnie de service locale pour obtenir de l'aide lors de la conversion à d'autres types de gaz ou de l'installation de la sècheuse à une altitude supérieure à 10 000 pi (3048 m).

Type de gaz

La sècheuse est équipée pour l'alimentation au gaz naturel. Elle est homologuée par CSA International pour l'alimentation avec des gaz de pétrole liquéfiés (propane et butane), après conversion appropriée. Ne pas entreprendre de convertir l'appareil pour l'utilisation d'un gaz différent de celui indiqué sur la plaque signalétique sans d'abord consulter le fournisseur de gaz. Un technicien qualifié doit effectuer la conversion. Les numéros des pièces nécessaires pour la conversion sont mentionnés sur la base de la valve du brûleur.

Canalisation de gaz

Méthode recommandée

- Installer une canalisation de gaz rigide de ½" (IPS) jusqu'à l'emplacement d'installation de la sècheuse. On doit utiliser un composé d'étanchéité des tuyauteries résistant à l'action du gaz de pétrole liquéfié. Ne pas utiliser de ruban TEFLON®. Pour l'alimentation au propane, le diamètre des canalisations doit être de ½" (IPS) ou plus. Usuellement le fournisseur de gaz propane détermine les matériaux à utiliser et le diamètre approprié.

Autre méthode

- La canalisation de gaz peut également être connectée au moyen d'un tube homologué en aluminium ou en cuivre de ¾". Si la longueur totale de la canalisation de gaz excède 20 pi (6,1 m), un tuyau de plus gros diamètre sera nécessaire. Dans le cas de l'alimentation au gaz naturel, ne pas utiliser de tuyau en cuivre. Assurer l'étanchéité des connexions avec un composé d'étanchéité résistant au propane.

Connecteur en métal souple pour appareil ménager :

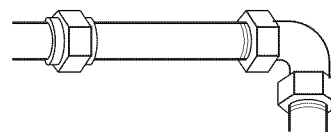
- Il est recommandé d'utiliser une canalisation en acier inoxydable souple et neuve, conception homologuée par CSA International, pour raccorder la sècheuse à la conduite d'alimentation en gaz. (La canalisation d'arrivée de gaz sortant à l'arrière/le bas de la sècheuse est dotée d'un filetage mâle de ¾").



- Ne pas déformer ni endommager la canalisation de gaz en acier inoxydable souple lorsque vous déplacez la sècheuse.

Connexion du tuyau rigide :

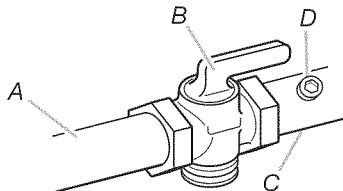
La connexion du tuyau rigide nécessite une combinaison de raccords pour obtenir une connexion de la sècheuse en ligne.



■ Robinet d'arrêt nécessaire :

Conformément aux prescriptions du National Fuel Gas Code, ANSI Z223.1, on doit installer un robinet d'arrêt manuel sur la canalisation d'alimentation, à moins de 6 pi (1,8 m) de la sècheuse. Au Canada, le robinet d'arrêt manuel doit être installé conformément aux prescriptions des codes d'installation B149 – CAN/CGA B149.1 et CAN/CGA B149.2. Le robinet d'arrêt doit être situé dans la même pièce que la sècheuse. Il doit se trouver à un emplacement qui permet une ouverture et une fermeture faciles. Ne pas bloquer l'accès au robinet d'arrêt. Le robinet est destiné à alimenter/couper l'alimentation en gaz de la sècheuse.

- A. Canalisation d'arrivée de gaz
- B. Robinet d'arrêt - position d'ouverture
- C. Vers la sècheuse
- D. Raccordement NPT



■ Installation dans un espace confiné :

Si la sècheuse est installée dans un espace réduit comme une salle de bain ou un placard, on doit prévoir une arrivée d'air appropriée pour la combustion et la ventilation. Consulter les codes et règlements en vigueur, ou voir "Instructions pour l'installation dans un encastrement ou un placard" de la section "Exigences d'emplacement".

Tests de pressurisation de la canalisation de gaz

Un raccord de 1/8" NPT minimal, accessible pour le raccordement d'un manomètre de test, doit être installé immédiatement en amont du point de raccordement de la canalisation d'arrivée de gaz de la sècheuse.

Lors de tout test de pressurisation du système à une pression de test supérieure à 1/2 lb/po² rel., la sècheuse doit être déconnectée de la canalisation d'arrivée de gaz.

Exigences concernant l'évacuation

AVERTISSEMENT : Pour réduire le risque d'incendie, cette sècheuse DOIT ÉVACUER L'AIR À L'EXTÉRIEUR.

- L'évent de la sècheuse ne doit pas être connecté à un conduit d'évacuation de gaz, une cheminée, un mur, un plafond, ou un vide de construction.
- Ne pas utiliser un clapet d'évacuation à fermeture magnétique.
- Ne pas installer le conduit métallique flexible dans les cavités fermées des murs, plafonds ou planchers.
- Utiliser un conduit d'évacuation en métal lourd de 4" (10,2 cm) et des brides de fixation.
- Utiliser des brides de fixation pour sceller tous les joints. L'évent ne doit pas être connecté ou fixé avec des vis ou autres dispositifs d'accrochage qui se prolongent à l'intérieur de l'évent. Ne pas utiliser de ruban adhésif en toile.

AVERTISSEMENT



Risque d'incendie

Utiliser un conduit d'évacuation en métal lourd.

Ne pas utiliser un conduit d'évacuation en plastique.

Ne pas utiliser un conduit d'évacuation en feuille de métal.

Le non-respect de ces instructions peut causer un décès ou un incendie.

IMPORTANT : Respecter les dispositions de tous les codes et règlements en vigueur.

Utiliser un conduit d'évacuation en métal lourd. Ne pas utiliser un conduit de plastique ou en feuille métallique.

On recommande d'utiliser un conduit métallique rigide pour réduire les risques d'écrasement et de déformation.

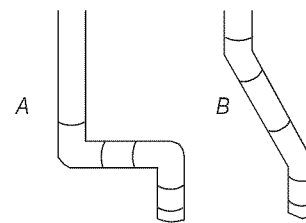
Un conduit métallique flexible doit être totalement déployé et soutenu lorsque la sècheuse est à sa position finale. Enlever tout excès de conduit flexible pour éviter tout affaissement/déformation susceptible de réduire le débit d'air et le rendement de la sècheuse.

Terminer le conduit d'évacuation par un clapet de décharge pour empêcher les rongeurs et insectes d'entrer dans l'habitation ou l'entreprise.

Le clapet de décharge doit être situé à au moins 12" (30,5 cm) au-dessus du sol ou de tout autre objet susceptible de se trouver sur le trajet de l'air humide rejeté (par exemple, fleurs, roches, ou arbustes).

Lors de l'utilisation d'un circuit d'évacuation existant, nettoyer la charpie sur toute la longueur du système et veiller à ce que la bouche de décharge ne soit pas obstruée par une accumulation de charpie. Remplacer tout conduit de plastique ou de feuille métallique mince par un conduit métallique flexible ou rigide.

Planifier l'installation pour introduire le nombre minimal de coudes et de changements de direction.



Débit d'évacuation

A. Bon débit d'évacuation

B. Meilleur débit d'évacuation

Si des coudes sont utilisés ou des changements de direction effectués, prévoir autant d'espace que possible. Plier le conduit graduellement pour éviter de le déformer.

La bouche de sortie est située à l'arrière de la sècheuse, en bas/au centre.

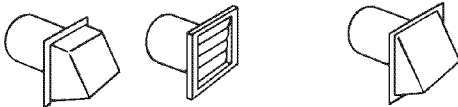
On peut acheminer le conduit d'évacuation par le haut, par le bas, par la gauche, par la droite, derrière la sècheuse, ou en ligne droite depuis l'arrière de la sècheuse.

Longueur du circuit d'évacuation

La longueur maximale du circuit d'évacuation dépend du type de conduit utilisé, du nombre de coudes et du type de bouche de décharge. La longueur maximale pour le circuit de conduit rigide ou flexible est indiquée dans le tableau ci-après.

Longueur maximale du conduit

Clapet de décharge de 4" (10,2 cm) de diamètre



Conduit métallique rigide	Clapets de type boîte et à persiennes	Clapet incliné
Nombre d'angles à 90°		
0	130 pi (39,6 m)	129 pi (39,3 m)
1	125 pi (38,1 m)	119 pi (36,3 m)
2	115 pi (35,1 m)	109 pi (33,2 m)
3	106 pi (32,3 m)	100 pi (30,5 m)
4	98 pi (29,9 m)	92 pi (28,0 m)

Pour un circuit d'évacuation qui n'est pas couvert par le tableau, consulter chez votre marchand.

Si la sècheuse est installée dans un espace réduit tel qu'une chambre à coucher, une salle de bain, ou un placard, on doit prévoir une arrivée d'air en quantité suffisante pour la combustion et la ventilation. (Consulter les codes et règlements en vigueur.) Voir "Instructions pour l'installation dans un encastrement ou dans un placard" de la section "Exigences d'emplacement".

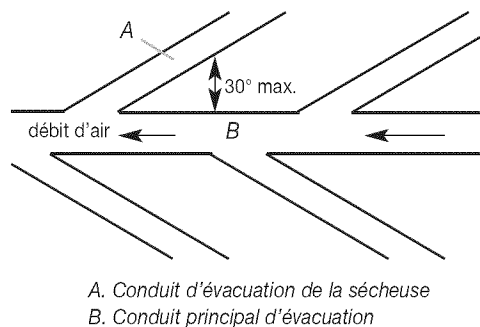
L'emploi d'une bouche de décharge de 4" est préférable. On peut cependant utiliser une bouche de 2½" (6,4 cm). Une bouche de décharge de 2½" (6,4 cm) peut causer une plus forte rétropression que les autres genres de bouches. Pour une installation permanente, un système d'évacuation fixe est requis.

Évacuation multiple de la sècheuse

- Un conduit d'évacuation principal peut être utilisé pour un groupe de sècheuses. Le conduit d'évacuation principal devrait être d'un diamètre suffisant pour évacuer 200 pi³/min d'air par sècheuse. Des filtres à charpie de forte capacité et de conception adéquate peuvent être utilisés dans le conduit principal d'évacuation s'ils sont inspectés et nettoyés fréquemment. La pièce où se trouvent les sècheuses devrait recevoir un apport d'air de débit égal ou supérieur au débit total (pi³/min) de toutes les sècheuses installées dans la pièce.
- Des ensembles antirefoulement, n° de pièce 3391910, sont disponibles chez votre marchand et devraient être installés dans le conduit d'évacuation de chaque sècheuse pour empêcher l'air évacué de retourner dans les sècheuses et pour maintenir une pression équilibrée dans le conduit principal d'évacuation. Des orifices de passage d'air non obstrués sont requis.

Chaque conduit d'évacuation devrait pénétrer dans le conduit principal à un angle pointant dans la direction du débit d'air. Les conduits raccordés au conduit principal de part et d'autre devraient être disposés en quinconce pour que l'air évacué par une sècheuse ne puisse perturber l'évacuation d'une autre sècheuse.

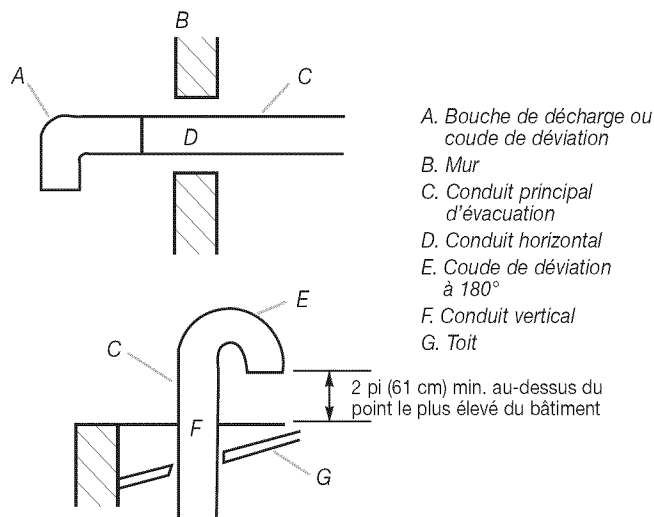
L'angle maximal entre le conduit connecté à une sècheuse et le conduit principal ne devrait pas dépasser 30°.



Faire en sorte que les vapeurs générées par les liquides de nettoyage à sec ne puissent pas atteindre les orifices d'entrée d'air; ces vapeurs créent des composés acides qui, lorsqu'ils sont attirés vers les unités de chauffage des sècheuses, peuvent endommager les sècheuses et le linge en cours de séchage.

Une bouche de nettoyage devrait être installée dans le conduit principal d'évacuation pour les nettoyages périodiques du système d'évacuation.

Si une bouche de décharge ne peut être utilisée :



L'extrémité extérieure du conduit principal devrait être munie d'un coude de déviation dirigé vers le bas. Si le conduit principal suit une trajectoire verticale à travers le toit, plutôt qu'à travers le mur, installer un coude de déviation de 180° à l'extrémité du conduit et dépassant d'au moins 2 pi (61 cm) au-dessus de la partie la plus élevée du bâtiment. L'ouverture murale ou dans le toit doit avoir un diamètre supérieur de ½" (1,3 cm) à celui du conduit d'évacuation. Le conduit d'évacuation devrait être centré dans l'ouverture.

Ne pas installer une grille ou un couvercle sur l'extrémité du conduit d'évacuation.

INSTRUCTIONS D'INSTALLATION - GLISSIÈRE ET CAISSE À MONNAIE

Installation d'une glissière et d'une caisse à monnaie

La console inclut la minuterie (accumulation préinstallée) avec bouton et bras de manœuvre.

La minuterie, installée à l'usine, commande une période de séchage de 45 minutes (came à 4 broches) après activation par le mécanisme d'insertion des pièces de monnaie. Le sachet de pièces inclut des comes pour des périodes de séchage de 30 minutes (6 broches) et 60 minutes (3 broches)

Le mécanisme de paiement, la serrure et la clé du tableau de commande et la serrure et la clé de réceptacle des pièces ne sont pas inclus; on peut les obtenir auprès des sources usuelles de l'industrie.

NOTE : Placer la sècheuse sur une feuille de carton ou un

AVERTISSEMENT

Risque du poids excessif

Utiliser deux ou plus de personnes pour déplacer et installer la sècheuse.

Le non-respect de cette instruction peut causer une blessure au dos ou d'autre blessure.

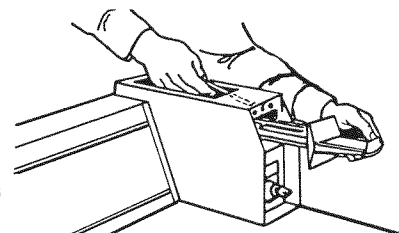
panneau de bois dur avant de la déplacer sur le plancher, afin d'éviter d'endommager le revêtement du sol.

1. À l'aide de deux personnes ou plus, déplacer la sècheuse à l'emplacement d'installation désiré.
2. Enlever le ruban adhésif dans les angles avant de la sècheuse. Ouvrir la sècheuse; enlever les brochures et sachets de pièces. Essuyer parfaitement la surface interne du tambour avec un chiffon humide.

3. Prendre deux cornières de carton de l'emballage et les placer sur le plancher à l'arrière de la sècheuse. Saisir fermement la sècheuse et la placer doucement en appui sur la face arrière, sur les cornières de carton.
4. Prendre l'un des pieds et identifier la marque en losange dans le filetage. Ce repère indique jusqu'où le pied doit être vissé dans le trou.
5. Commencer à visser à la main les pieds avant dans les trous. (Utiliser une petite quantité de détergent liquide pour lubrifier la section filetée, pour qu'il soit plus facile de tourner les pieds). Utiliser une clé de 1" ou une clé à douille pour visser les pieds jusqu'au repère.

Placer maintenant la sècheuse verticalement.

6. Ôter la plaque de l'ouverture d'accès du boîtier de commande. Soulever la plaque à l'arrière pour l'enlever. Installer le dispositif d'introduction de pièces (pour l'installation, consulter les instructions d'installation du fabricant).



Pour une sècheuse dotée d'un mécanisme d'insertion à glissière, utiliser l'ensemble d'adaptation fourni avec la sècheuse.

7. Réinstaller la plaque de l'ouverture d'accès du boîtier de commande. Placer la boîte à pièces avec la serrure et la clé dans l'ouverture d'accès du boîtier de commande.
8. Retirer la feuille de carton ou le panneau de bois dur placé sous la sècheuse.

INSTRUCTIONS D'INSTALLATION - SÈCHEUSE À GAZ

Raccordement à la canalisation de gaz

AVERTISSEMENT

Risque du poids excessif

Utiliser deux ou plus de personnes pour déplacer et installer la sècheuse.

Le non-respect de cette instruction peut causer une blessure au dos ou d'autre blessure.

1. Retirer le capuchon rouge de la canalisation de gaz.
2. Raccorder la canalisation de gaz à la sècheuse. Utiliser un composé d'étanchéité compatible avec le gaz propane. Si un conduit métallique flexible est utilisé, vérifier qu'il n'est pas déformé.

Si nécessaire pour une intervention d'entretien ou de réparation, ouvrir la plinthe en ôtant les 2 vis de 1/4" à tête hexagonale du fond du panneau. Soulever ensuite le panneau tout en tirant le fond du panneau hors de la sècheuse.

3. Ouvrir le robinet d'arrêt de la canalisation d'arrivée de gaz.
4. Vérifier tous les raccords en les badigeonnant d'une solution de détection des fuites non corrosive approuvée. L'apparition de bulles indique une fuite. Réparer toute fuite éventuelle.

Raccordement du conduit d'évacuation

1. À l'aide d'une bride de fixation de 4" (10,2 cm), relier le conduit d'évacuation à la bouche d'évacuation de la sècheuse. Si on utilise le conduit d'évacuation existant, s'assurer qu'il est propre. Le conduit d'évacuation de la sècheuse doit être fixé sur la bouche d'évacuation de la sècheuse et dans le clapet d'évacuation. S'assurer que le conduit d'évacuation est fixé au clapet d'évacuation à l'aide d'une bride de fixation de 4" (10,2 cm).
2. Avec l'aide d'au moins deux autres personnes, déplacer la sècheuse à l'emplacement final désiré. Ne pas écraser ni déformer le conduit d'évacuation. Vérifier que la sècheuse est de niveau.
3. Vérifier que la canalisation souple de gaz n'est pas déformée.

Achever l'installation

1. Une fois la sècheuse à son emplacement final, placer un niveau sur le sommet de la sècheuse, transversalement, puis dans le sens avant arrière. Si la sècheuse n'est pas d'aplomb, ajuster les pieds pour modifier la hauteur et établir un bon aplomb de la sècheuse.

AVERTISSEMENT



Risque de choc électrique

Brancher sur une prise à 3 alvéoles reliée à la terre.

Ne pas enlever la broche de liaison à la terre.

Ne pas utiliser un adaptateur.

Ne pas utiliser un câble de rallonge.

Le non-respect de ces instructions peut causer un décès, un incendie ou un choc électrique.

2. Brancher sur une prise à 3 alvéoles reliée à la terre.

3. Contrôler le bon fonctionnement de la sècheuse (la minuterie peut indiquer un temps de service cumulatif du fait de tests effectués à l'usine):

Fermer la porte de la sècheuse. Insérer les pièces dans le mécanisme à glissière et enfoncer doucement le mécanisme à glissière (le temps de fonctionnement sera accumulé, selon le nombre de pièces et le type de came utilisé). Sélectionner le programme Whites and Colors (blancs et couleurs) et laisser la sècheuse fonctionner pendant au moins 5 minutes.

REMARQUE :

Il faut que la porte soit fermée pour que la sècheuse puisse fonctionner.

4. Si on ne perçoit aucune chaleur à l'intérieur de la sècheuse et si le brûleur ne s'allume pas, arrêter la sècheuse pendant cinq minutes. Vérifier que tous les robinets de la canalisation d'alimentation sont ouverts et que le cordon d'alimentation électrique est branché. Répéter le test de cinq minutes de fonctionnement.
5. Vérifier que le filtre à charpie est libre de tout déchet ou de toute autre cause possible d'obstruction.
6. Démarrer à nouveau la sècheuse et la laisser exécuter le programme Whites and Colors (blancs et couleurs) pour vérifier qu'elle fonctionne correctement.

INSTRUCTIONS D'INSTALLATION - SÈCHEUSE ÉLECTRIQUE

Raccordement du conduit d'évacuation

1. À l'aide d'une bride de fixation de 4" (10,2 cm), relier le conduit d'évacuation à la bouche d'évacuation de la sècheuse. Si on utilise le conduit d'évacuation existant, s'assurer qu'il est propre. Le conduit d'évacuation de la sècheuse doit être fixé sur la bouche d'évacuation de la sècheuse et dans le clapet d'évacuation. S'assurer que le conduit d'évacuation est fixé au clapet d'évacuation à l'aide d'une bride de fixation de 4" (10,2 cm).
2. Avec l'aide d'au moins deux autres personnes, déplacer la sècheuse à l'emplacement final désiré. Ne pas écraser ni déformer le conduit d'évacuation. Vérifier que la sècheuse est de niveau.

Achever l'installation

1. Une fois la sècheuse à son emplacement final, placer un niveau sur le sommet de la sècheuse, transversalement, puis dans le sens avant arrière. Si la sècheuse n'est pas d'aplomb, ajuster les pieds pour modifier la hauteur et établir un bon aplomb de la sècheuse.

⚠ AVERTISSEMENT



Risque de choc électrique

Brancher sur une prise à 4 alvéoles reliée à la terre.

Le non-respect de cette instruction peut causer un décès ou un choc électrique.

2. Brancher la sècheuse ou reconnecter la source de courant électrique.
3. Contrôler le bon fonctionnement de la sècheuse (la minuterie peut indiquer un temps de service cumulatif du fait de tests effectués à l'usine):
Fermer la porte de la sècheuse. Insérer les pièces dans le mécanisme à glissière et enfoncer doucement le mécanisme à glissière (le temps de fonctionnement sera accumulé, selon le nombre de pièces et le type de came utilisé). Sélectionner le programme Whites and Colors (blancs et couleurs) et laisser la sècheuse fonctionner pendant au moins 5 minutes.
REMARQUE :
Il faut que la porte soit fermée pour que la sècheuse puisse fonctionner.
4. Ouvrir la porte de la sècheuse. Check that the inside of the dryer is warm.
5. Vérifier que le filtre à charpie est libre de tout déchet ou de toute autre cause possible d'obstruction.
6. Démarrer à nouveau la sècheuse et la laisser exécuter le programme Whites and Colors (blancs et couleurs) pour vérifier qu'elle fonctionne correctement.

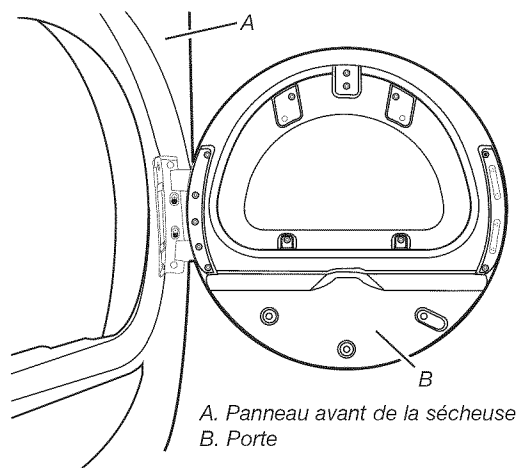
Inversion du sens d'ouverture de la porte

Le sens d'ouverture de la porte peut être changé du côté droit au côté gauche, si désiré.

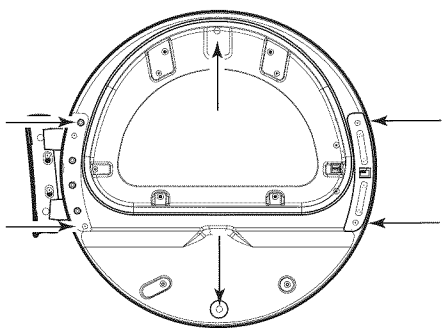
Placer une serviette ou un linge doux sur le dessus de la sècheuse ou du plan de travail pour protéger la surface.

Ôter la porte

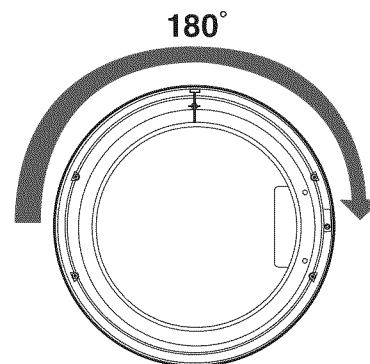
1. Enlever les 4 vis qui maintiennent la charnière de la porte sur le panneau avant de la sècheuse.



2. Poser la porte sur une surface plane protégée, côté intérieur (partie interne de la porte) vers le haut.
3. Enlever les 6 vis à tête Philips pour séparer la partie externe de la porte de la partie interne. Voir l'illustration. Il importe d'enlever seulement les 6 vis indiquées.

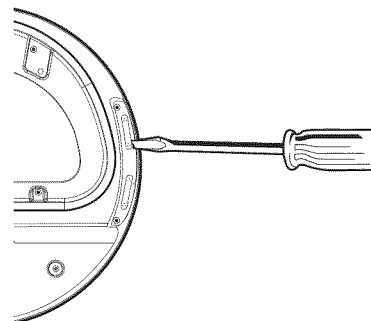


4. Soulever la partie interne de la porte hors de la partie externe.
5. Faire pivoter la partie externe de 180°.

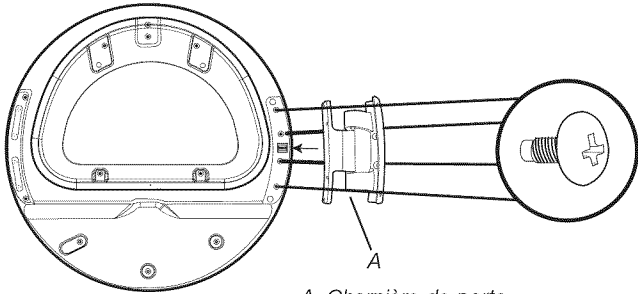


Inversion de la charnière

1. Utiliser un petit tournevis à lame plate pour enlever 2 tringles des pitons d'obturation des trous de la partie interne de la porte. Faire glisser la tête du tournevis sous les tringles, en veillant à ne pas érafler la surface de la porte interne. Soulever.

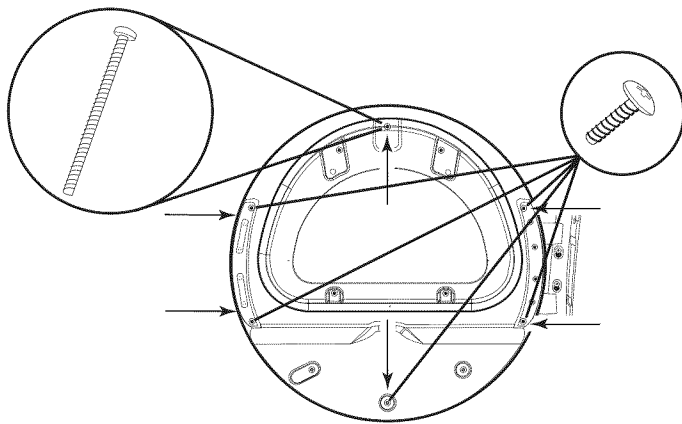


2. Ôter les 4 vis qui fixent la charnière de la porte interne et déplacer la charnière de l'autre côté. Réinstaller les 4 vis.



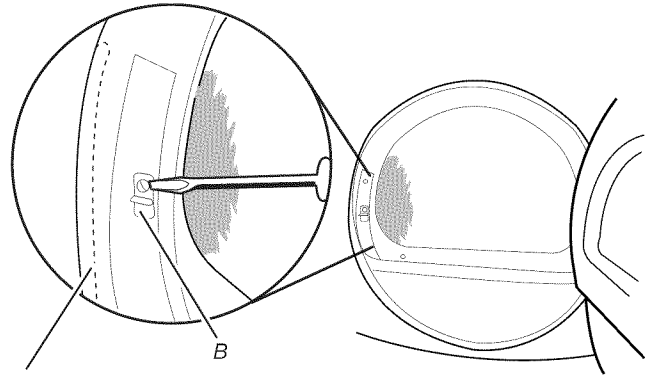
A. Charnière de porte

3. Réinstaller les tringles des pitons d'obturation des trous sur le côté opposé de la porte interne.
4. Vérifier s'il y a des traces de doigts sur le verre. Nettoyer le verre au besoin.
5. Placer la partie interne de la porte à l'intérieur de la partie externe. Pour une bonne installation, le bord de la partie interne de la porte doit se trouver complètement à l'intérieur du bord de la partie externe de la porte.
6. Assembler de nouveau les parties interne et externe de la porte avec les 6 vis.



Inversion de la gâche

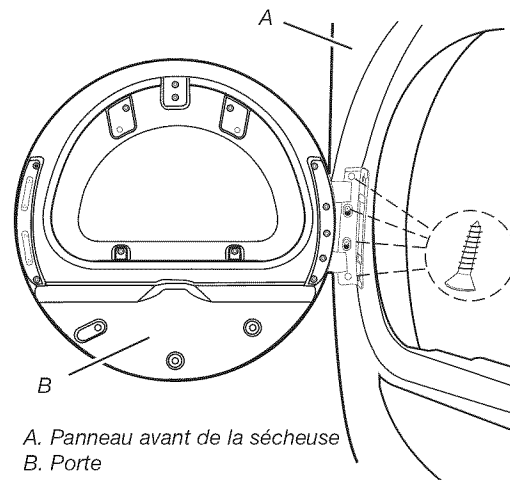
1. Utiliser un petit tournevis à lame plate pour enlever la tringle des pitons d'obturation des trous dans l'ouverture de la porte de la sécheuse. Faire glisser la tête du tournevis sous les tringles, en veillant à ne pas érafler la surface de la sécheuse. Soulever.
2. Utiliser un tournevis de sécurité TORX® T-20 pour ôter la gâche.
3. Insérer la gâche sur le côté opposé.



A. Tringle des pitons d'obturation des trous (invisible sous cet angle)
B. Gâche de la porte

Réinstallation de la porte

1. Fixer de nouveau la porte sur le panneau avant de la sécheuse avec les 4 vis.



A. Panneau avant de la sécheuse
B. Porte

2. Vérifier s'il y a des marques de doigts sur le verre. Nettoyer le verre au besoin.
3. Fermer la porte et vérifier qu'elle s'enclenche solidement.

RÉGLAGE DE COMMANDE ÉLECTRONIQUE

Voir la fiche technique pour plus d'information à propos du réglage.

INSTRUCTIONS D'ENTRETIEN

Instructions d'entretien :

- Nettoyer le filtre à charpie après chaque utilisation.
- Comment enlever la charpie accumulée :
 - De l'intérieur de la sècheuse :
Il faut retirer la charpie tous les 2 ans ou plus souvent, selon l'utilisation de la sècheuse. Le nettoyage doit être effectué par une personne qualifiée.
 - Du conduit d'évacuation :
Il faut retirer la charpie tous les 2 ans ou plus souvent, selon l'utilisation de la sècheuse.
- Tenir les matériaux combustibles, essence ou autres vapeurs ou liquides inflammables, à l'écart de la zone entourant la sècheuse.
- Tenir les objets qui pourraient obstruer le flux de combustion et de ventilation à l'écart de la zone entourant la sècheuse.

Si la sècheuse ne fonctionne pas, vérifier ce qui suit :

- Le circuit d'alimentation électrique est bien connecté.
- Les disjoncteurs ne sont pas ouverts et les fusibles sont intacts.
- La porte est fermée.
- Les boutons de commande sélectionnent une configuration de fonctionnement.
- Le bouton START (mise en marche) a été enfoncé fermement.
- Pour une sècheuse à gaz, vérifier que les robinets de la canalisation de gaz sont ouverts.

Si vous avez besoin d'aide :

Le Centre d'assistance d'appareils de buanderie commerciaux répondra à toute question concernant le fonctionnement et l'entretien de la sècheuse non abordée dans les instructions d'installation. Le Centre d'assistance d'appareils de buanderie commerciaux est accessible 24 heures par jour, 7 jours par semaine. Il suffit de composer le 1-800 NO BELTS (1-800-662-3587). La communication est gratuite.

Lors de l'appel, vous devrez communiquer les numéros de modèle et de série de la sècheuse; les deux numéros sont inscrits sur la plaque signalétique située dans le logement de la porte de la sècheuse.

GARANTIE DE LA BUANDERIE COMMERCIALE WHIRLPOOL : CAM2752, CEM2750, CGM2751, CAM2762, CEM2760, CGM2761, CSP2760, CSP2761, CEW9100, CGW9100, CHW9900

GARANTIE LIMITÉE

Pendant les trois premières années à compter de la date d'achat, lorsque cet appareil commercial est installé, utilisé et entretenu conformément aux instructions jointes à ou fournies avec le produit, Whirlpool Corporation (ci-après désignée "Whirlpool") paiera pour les pièces spécifiées par l'usine ou les pièces d'origine du fabricant de l'appareil pour corriger les vices de matériaux ou de fabrication qui étaient déjà présents lorsque cet appareil commercial a été acheté. LE SEUL ET EXCLUSIF RECOURS DU CLIENT DANS LE CADRE DE LA PRÉSENTE GARANTIE LIMITÉE CONSISTE EN LA RÉPARATION PRÉVUE CI-DESSUS. Une preuve de la date d'achat original est exigée pour obtenir un service dans le cadre de la présente garantie.

WHIRLPOOL NE PRENDRA PAS EN CHARGE

La présente garantie limitée ne couvre pas :

1. Les frais y compris les frais de transport, d'expédition, ou les frais de douanes pour les pièces sous garantie.
 2. Les visites de service pour rectifier l'installation de l'appareil commercial, montrer à l'utilisateur comment utiliser l'appareil commercial, remplacer ou réparer des fusibles ou rectifier le câblage ou la plomberie du domicile.
 3. Les pièces de rechange ou la main-d'œuvre lorsque l'appareil commercial est utilisé à des fins autres que l'usage commercial normal, ou lorsque les instructions d'installation et/ou les instructions de l'opérateur ou de l'utilisateur fournies ne sont pas respectées.
 4. Les dommages imputables à : manipulation incorrecte du produit au cours de la livraison, vol, accident, modification, usage impropre ou abusif, incendie, inondation, actes de Dieu, installation fautive ou installation non conforme aux codes d'électricité ou de plomberie locaux, ou l'utilisation de produits non approuvés par Whirlpool.
 5. Le ramassage et la livraison. Cet appareil commercial est conçu pour être réparé sur place.
 6. Les réparations aux pièces ou systèmes résultant d'une modification non autorisée faite à l'appareil commercial.
 7. La dépose et la réinstallation de votre appareil commercial si celui-ci est installé dans un endroit inaccessible ou n'est pas installé conformément aux instructions d'installation fournies.
 8. Les dommages dus à l'exposition à des substances chimiques.
 9. Les modifications apportées au bâtiment, à la pièce ou aux lieux afin de permettre à l'appareil commercial de fonctionner correctement.
-

CLAUSE D'EXONÉRATION DE RESPONSABILITÉ AU TITRE DES GARANTIES IMPLICITES

LES GARANTIES IMPLICITES, Y COMPRIS LES GARANTIES IMPLICITES APPLICABLES DE QUALITÉ MARCHANDE OU D'APTITUDE À UN USAGE PARTICULIER, SONT LIMITÉES À TROIS ANS OU À LA PLUS COURTE PÉRIODE AUTORISÉE PAR LA LOI. Certaines juridictions ne permettent pas les limitations de la durée des garanties implicites de qualité marchande ou d'aptitude à un usage particulier, de sorte que cette limitation peut ne pas s'appliquer dans votre cas. Cette garantie vous confère des droits juridiques spécifiques et vous pouvez également jouir d'autres droits qui peuvent varier d'une juridiction à une autre.

LIMITATION DES RECOURS; EXCLUSION DES DOMMAGES FORTUITS OU INDIRECTS

LE SEUL ET EXCLUSIF RECOURS DU CLIENT DANS LE CADRE DE LA PRÉSENTE GARANTIE LIMITÉE CONSISTE EN LA RÉPARATION PRÉVUE CI-DESSUS. WHIRLPOOL N'ASSUME AUCUNE RESPONSABILITÉ POUR LES DOMMAGES FORTUITS OU INDIRECTS. Certaines juridictions ne permettent pas l'exclusion ou la limitation des dommages fortuits ou indirects, de sorte que ces exclusions ou limitations peuvent ne pas s'appliquer dans votre cas. Cette garantie vous confère des droits juridiques spécifiques et vous pouvez également jouir d'autres droits qui peuvent varier d'une juridiction à une autre.

Si vous avez besoin de service, veuillez contacter votre distributeur de buanderie commerciale Whirlpool autorisé. Pour localiser votre distributeur de buanderie commerciale Whirlpool autorisé, ou pour toute question par Internet, consultez www.WhirlpoolCommercialLaundry.com.

Pour toute correspondance écrite :

Whirlpool Commercial Laundry Service Department
2000 N M 63
Benton Harbor, MI 49022-2632 USA

