

Installation instructions

CookSurface

CG363ML and CG363MLD (DEEP) models

Fisher & Paykel
innovative living

US CA

Important! SAVE THESE INSTRUCTIONS

The models shown in this document may not be available in all markets and are subject to change at any time. For current details about model and specification availability in your country, please go to our website www.fisherpaykel.com or contact your local Fisher & Paykel dealer.

① SAFETY AND WARNINGS

⚠ WARNING!



Electrical shock hazard

Disconnect product from the mains power supply before servicing. This appliance is equipped with a three-prong grounding plug for your protection against shock hazard and should be plugged directly into a properly grounded power outlet. Do not under any circumstances cut or remove the grounding prong from this plug.

Failure to follow this advice may result in electrical shock or death.

⚠ WARNING!



Cut hazard

Take care - panel edges are sharp.

Failure to use caution could result in injury or cuts.

Important safety precautions!

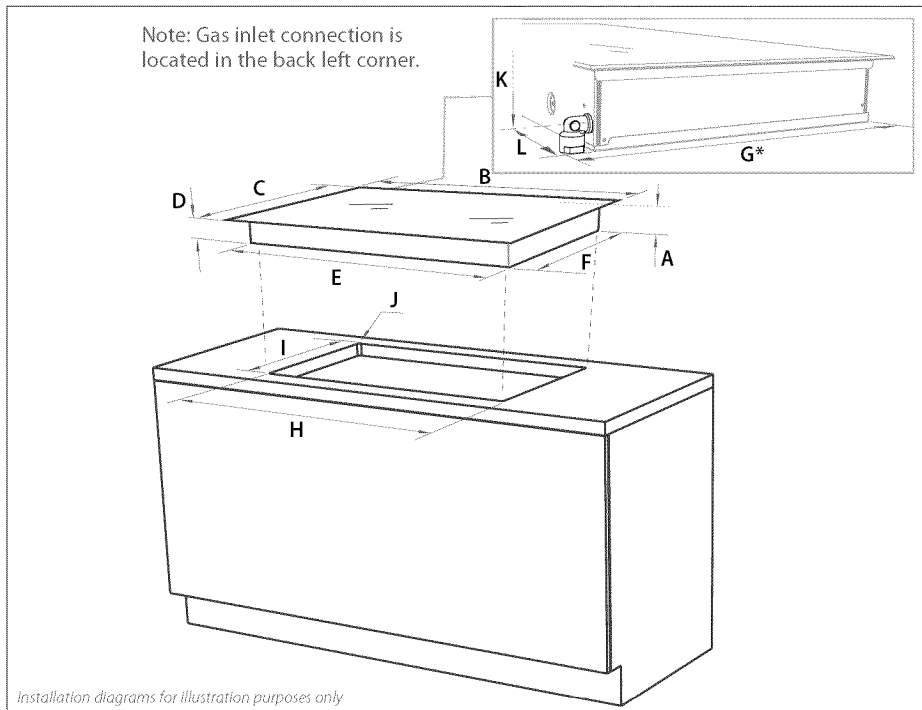
- This appliance shall be installed in accordance with the installation requirements of the local gas authority or the appropriate installation code or in the absence of local codes with the latest National Fuel Gas Code ANSI Z223.1 or CAN/CSA B149.1,2 (Canada). Local building and electrical codes must be adhered to.
- Electrical installation must be in accordance with the National Electrical Code, ANSI/NFPA70 - latest edition or CSA C22.1 (Canada) and/or local codes.
- Installation in manufactured (mobile) home: installation must conform with the Manufactured Home Construction and Safety Standard, Title 24 CFR, Part 3280 [formerly the Federal Standard for Mobile Home Construction and Safety, Title 24, HUD (Part 280)] or, when such standard is not applicable, the Standard for Manufactured Home Installations, ANSI/NCSBCS A225.1, or with local codes where applicable.
- Installation in Recreational Park Trailers: installation must conform with state or other codes or, in the absence of such codes, with the Standard for Recreational Park Trailers, ANSI A119.5.

- Do not remove permanently affixed labels, warnings, or plates from the product. This may void the warranty.
- Flexible appliance connectors shall meet the requirements of ANSI Z21.24 and State Boards. They shall not exceed 36 inches (900 mm) in length. In order to avoid hazard, these appliances must be installed according to these instructions.
- This appliance must be installed by an authorized person (Warning: this appliance must be installed by a licensed plumber or gas fitter when within the Commonwealth of Massachusetts).
- Please make this information available to the person installing the appliance as it could reduce your installation costs.
- Please leave these instructions with the appliance. Inform the customer to retain for future reference and for the local inspectors' use.
- Failure to install the appliance correctly could invalidate any warranty or liability claims.
- Only genuine replacement parts may be used for servicing the appliance. These are available from your nearest Fisher & Paykel Service Center.

Before you install the appliance, please make sure that

- the local distribution conditions (nature of gas and pressure) and the adjustment of the appliance are compatible. For adjustment conditions for this appliance, see 'Gas rate summary' under step ⑤.
- a suitable isolating switch is incorporated in the fixed wiring in an acceptable position.
- the appliance is connected to a power outlet that is electrically grounded in accordance with local codes or in the absence of local codes, with the National Electric Code ANSI/NFPA 70 or CSA C22.2 (Canada)
- there is a power outlet (110-120V 60Hz) within reach of the appliance cable (35½" (900 mm) from the center rear of the appliance). This must be accessible after installation. The mains power supply cable should not touch any metal parts
- the countertop is square and level and no structural members interfere with space requirements
- the countertop is made of heat-resistant material
- you take note of the following recommended non-combustible materials: ¼" (6 mm) flame retardant millboard covered with not less than No. 28 MSG sheet steel, ½" (0.4 mm) stainless steel, ½" (0.6 mm) aluminum or ½" (0.5 mm) copper
- the gas shut-off valve is accessible after installation
- if the power supply cable is damaged, it is replaced only by the special cable: Part no. 531954 – Flex Terminal Block Assy US, obtainable from authorized Fisher & Paykel Service Agents.

② PRODUCT & CUTOUT DIMENSIONS

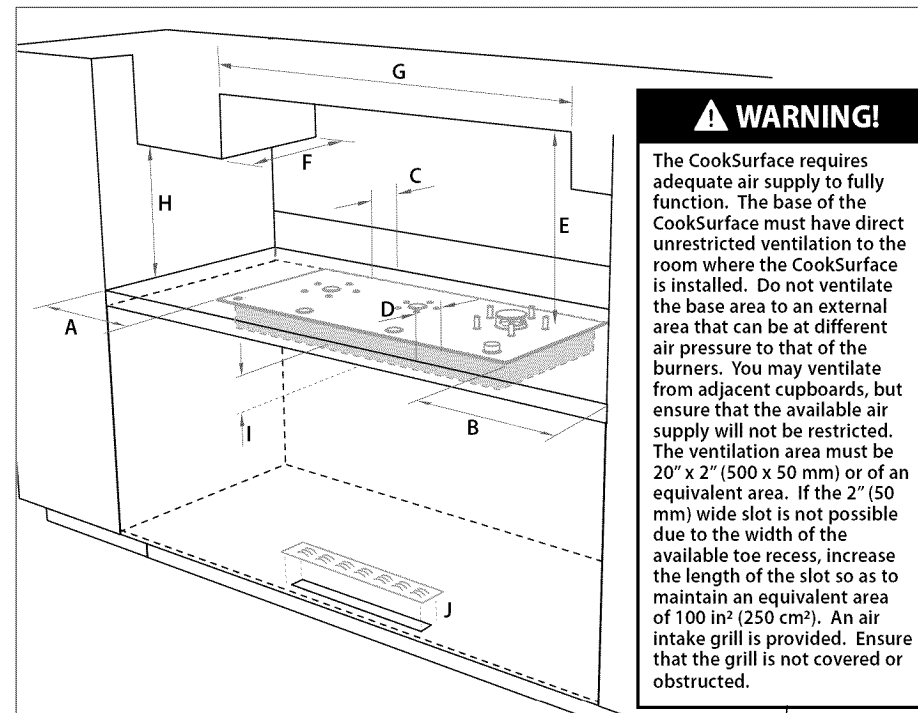


Product and cutout dimensions (inches (mm))

	CG363ML	CG363MLD DEEP	
A	overall height of product (including retracted dials/pan supports)	3¾"(96)	3¾"(96)
B	overall width of product	35½"(900)	35½"(900)
C	overall depth of product	16⅞"(410)	20⅞"(530)
D	height of chassis (below top of counter)	3½"(89)	3½"(89)
E	width of chassis	33¼"(856)	33¼"(856)
F	depth of chassis	15⅞"(384)	18⅞"(480)
G	depth of chassis (including fitted elbow*)	16⅞"(424)	18⅞"(480)
H	overall width of cutout	34⅞"(865)	34⅞"(865)
I	overall depth of cutout	15⅞"(390)	19⅞"(494)
J	corner radius of cutout	max. ⅜"(10)	max. ⅜"(10)
K	distance from top of counter to center of gas inlet on product	2½"(64)	2½"(64)
L	distance from edge of chassis to gas inlet on product	¾"(20)	¾"(20)

* CG363ML models only: If countertop thickness exceeds 2" (50 mm), additional cutout space will be required to accommodate the fitted elbow.

③ CLEARANCE & CABINETS DIMENSIONS

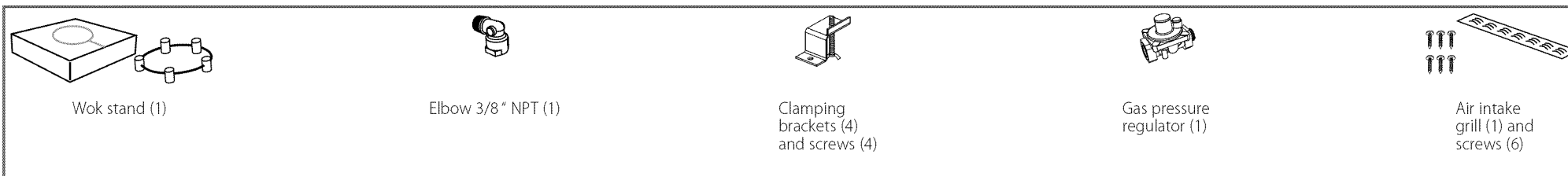


Clearance and cabinetry dimensions (inches (mm))

		CG363ML	CG363MLD DEEP
A	minimum clearance from left edge of product to nearest vertical surface	2⅞"(60)	2⅞"(60)
B	minimum clearance from right edge of product to nearest vertical surface	3⅞"(80)	3⅞"(80)
C	minimum clearance from rear edge of product to:		
	nearest combustible surface	1¼"(32)	½"(13)
	nearest non-combustible surface (see ①)	less than 1¼"(32)	less than ½"(13)
D	minimum distance from front edge of counter to front edge of product	1¼"(32)	1¼"(32)
E	minimum clearance from glass surface to combustible surface centered above the cooking surface	30"(762)	30"(762)
F	maximum overall depth of overhead cabinetry	13"(330)	13"(330)
G	minimum distance between overhead cabinets installed to either side of product	36"(915)	36"(915)
H	minimum vertical distance between counter and cabinet extending above the counter	18"(457)	18"(457)
I	minimum clearance below top of countertop to:		
	nearest combustible surface	4½"(115)	4½"(115)
	Fisher & Paykel oven or nearest non-combustible surface	4"(100)	4"(100)
J	cutout measuring 2" x 20" (50 x 500mm) for air intake grill. Ensure air can easily enter the area around the base of the product from the room in which the product is installed.		

Note: Ensure there is a grounded power outlet within 35½" (900 mm) of the center rear of the product. A suitable flexible hose must be used between the product gas inlet and the connector on the wall. The connector should be 25½"-29½" (650 - 750mm) above the floor and towards the left-hand end of the product. It should be accessible with the product installed.

4 PARTS SUPPLIED



5 IMPORTANT INSTALLATION INFORMATION

- We do not recommend you flush mount or seal this appliance into the counter with silicone or glue. Doing so will make future servicing difficult. Fisher & Paykel will not be liable for any costs associated with removing or replacing a sealed-in appliance, nor for repairing any damage that may be incurred by doing this.
- Seal exposed bare edges of the cutout with an oil-based paint or moisture-proof polyurethane to prevent possible moisture creeping between the cooktop trim and the countertop.
- We do not recommend the use of a down-draft extractor fan with the appliance, as it may distort the flame pattern, causing uneven heating and reduced cooking performance.
- No combustible material or products should be placed on this appliance at any time.
- Do not spray aerosols in the vicinity of this appliance while it is in operation.
- If, after following the instructions given, the appliance cannot be adjusted to perform correctly, please refer to the Service & warranty booklet for warranty details and your nearest Authorized Service Center, or contact us through our website: www.fisherpaykel.com

Gas supply connection

- This appliance is factory set for use with Natural Gas at 4" W.C.P. or LP Gas at 11" of W.C.P. Check the label on the underside of the appliance.
- Incoming line pressure upstream from the gas pressure regulator must be 1" W.C.P higher than the manifold pressure in order to check the regulator.
- The gas pressure regulator supplied with this appliance can withstand a maximum input pressure of 1/2 p.s.i. (14" W.C.P). If the line pressure is in excess of that amount, a step-down regulator will be required.

- The appliance, its individual shut-off valve and the gas pressure regulator must be disconnected from the gas supply piping system during any pressure testing of that system in excess of 1/2 p.s.i (3.5 kPa).
- The appliance must be isolated from the gas supply piping system by closing its individual shut-off valve during any pressure testing of the gas supply piping system at test pressures at or less than 1/2 p.s.i. (3.5 kPa).
- Maximum inlet gas supply pressure 20" W.C. (5 kPa).
- Minimum gas supply pressure for regulator testing 5" W.C. Natural Gas, 12" LP Gas.
- A manual shut-off valve must be installed in an accessible location in the gas line external to the appliance for the purpose of turning on or shutting off gas to the appliance. (In Massachusetts, such shut-off devices should be approved by the Board of State Examiners of Plumbers & Gas Fitters).
- Gas connection to the product must use the elbow supplied with a 3/8" NPT external thread.
- The supplied gas pressure regulator must be installed where it will be accessible for adjustment.
- The metal flexible hose used must be new, CSA or UL-approved, and must have a 3/8" NPT external thread on one end and a 1/2" NPT one on the other.

Leak testing

- Leak testing of the appliance shall be conducted according to the manufacturer's instructions.
- After installing the gas supply or converting to a different gas type and making all connections, check thoroughly for possible leaks.

GAS RATE SUMMARY (These products are supplied factory set for either LP or NG.)

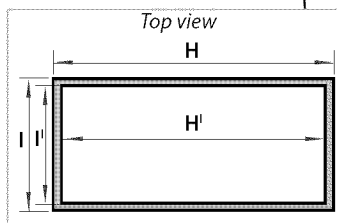
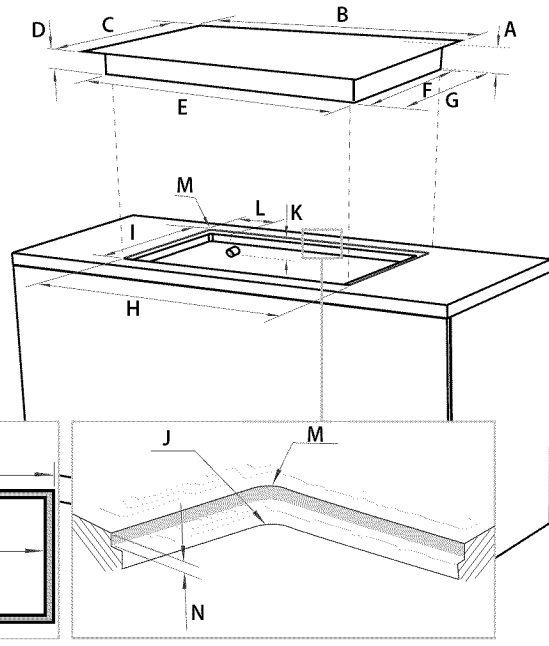
US CA	Injector orifice (mm) Nominal rating (BTU)		Injector orifice (mm) Nominal rating (BTU)		Injector orifice (mm) Nominal rating (BTU)		Injector orifice (mm) Nominal rating (BTU)		Injector orifice (mm) Nominal rating (BTU)			
	NG	LP	NG	LP	NG	LP	NG	LP	NG	LP		
LP 11" H ₂ O (0.41 psi)* NG 4" H ₂ O (0.15 psi)*	SMALL		MEDIUM				WOK					
CG363ML	1.09	6000	0.70	5500	1.15	6800	0.80	7200	1.65	12000	0.95	10500
CG363MLD	1.09	6000	0.70	5500	1.15	6800	0.80	7200	1.65	12000	0.95	10500

*Nominal pressure with the two smaller burners on High.

⑥ FLUSH MOUNTING INSTALLATION (NOT RECOMMENDED)

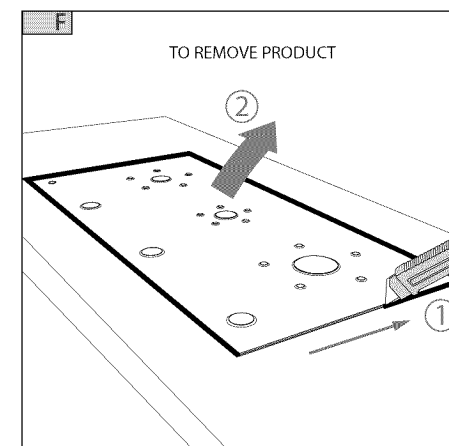
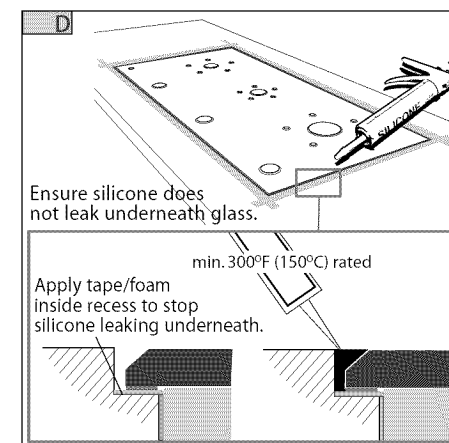
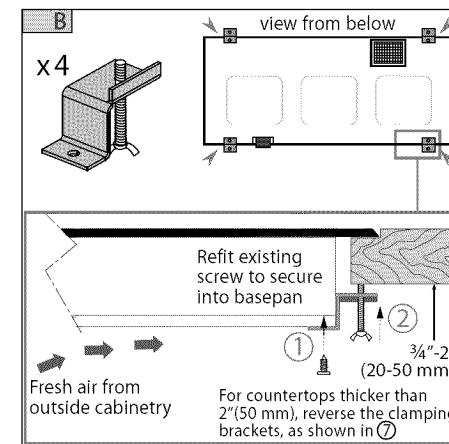
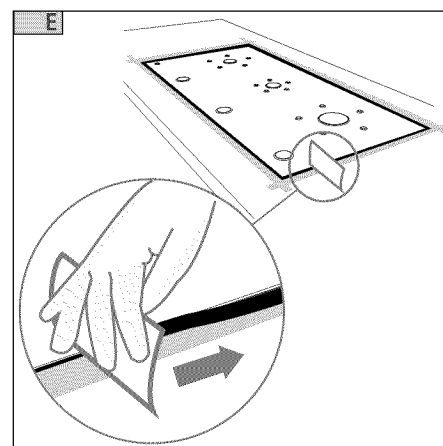
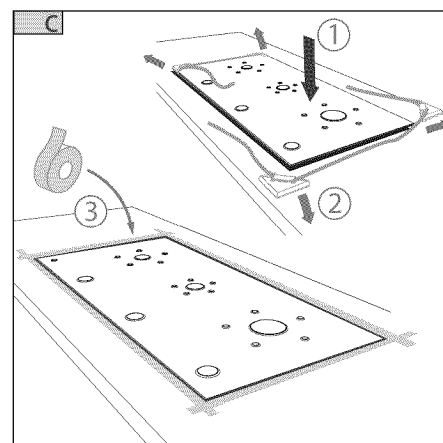
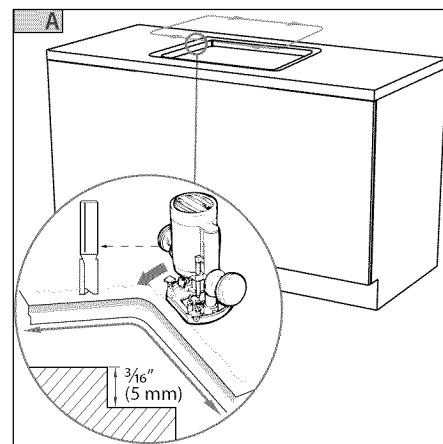
⚠ WARNING!

We do not recommend flush mounting and sealing as servicing requires the CookSurface to be removed from the countertop. The owner carries all risk for flush mounting the CookSurface. The owner must ensure the CookSurface has been cut out from the countertop before servicing can be carried out. Fisher & Paykel will not be liable for any costs associated with removing or replacing a flush-mounted and/or sealed-in product, nor for repairing any damage that may be incurred by doing this.

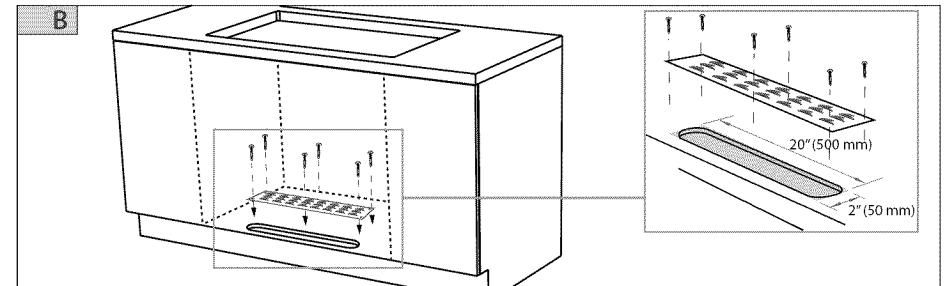
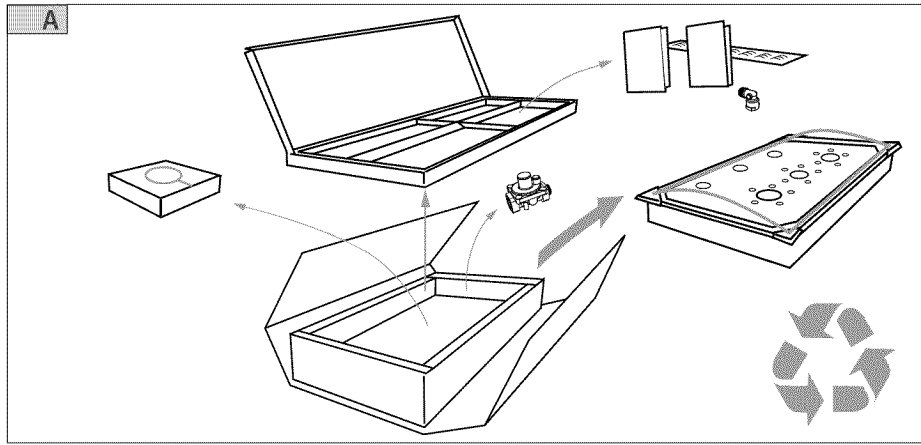


Product and cabinetry dimensions (inches (mm))

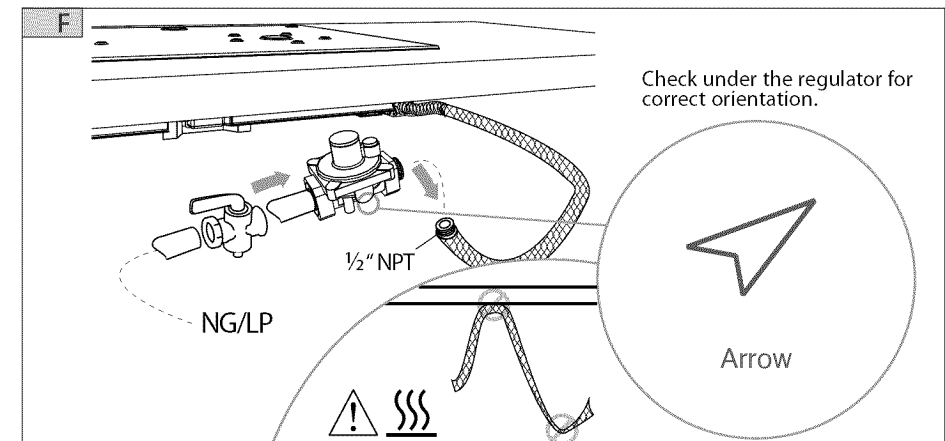
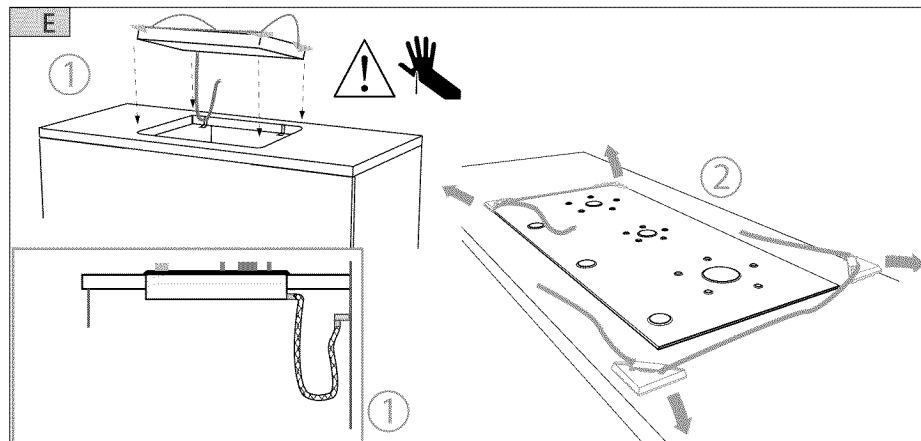
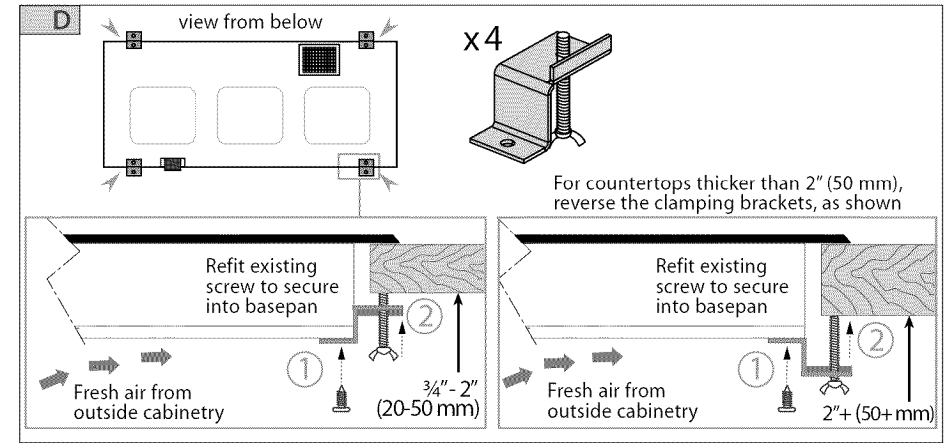
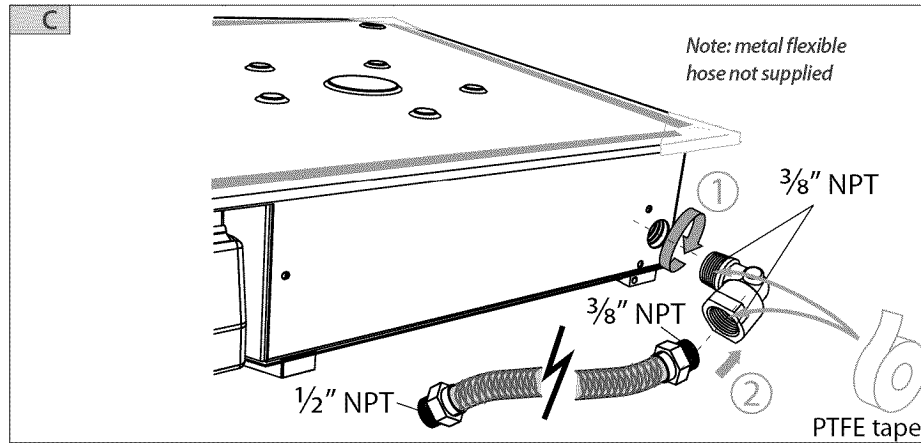
	CG363ML	CG363MLD DEEP	
A	overall height of product (including dials/pan supports)	3¾" (96)	3¾" (96)
B	overall width of product	35½" (900)	35½" (900)
C	overall depth of product	16⅞" (410)	20⅞" (530)
D	height of chassis (below top of bench)	3⅛" (94)	3⅛" (94)
E	width of chassis	33⅛" (856)	33⅛" (856)
F	depth of chassis	15⅞" (384)	18⅞" (480)
G	depth of chassis (including fitted elbow)	16⅛" (424)	18⅞" (480)
H	overall width of routed recess	35⅞" (905)	35⅞" (905)
H'	width of cutout	34⅛" (865)	34⅛" (865)
I	overall depth of routed recess	16⅞" (415)	21⅛" (535)
I'	depth of cutout	15⅞" (390)	19⅞" (494)
J	corner radius of cutout	max. ⅜" (10)	max. ⅜" (10)
K	distance from top of bench to centre of gas inlet on product	2½" (64)	2½" (64)
L	distance from edge of chassis to gas inlet on product	¾" (20)	¾" (20)
M	corner radius of routed recess	max. ⅛" (2)	max. ⅛" (2)
N	height of routed recess	⅜" (5)	⅜" (5)



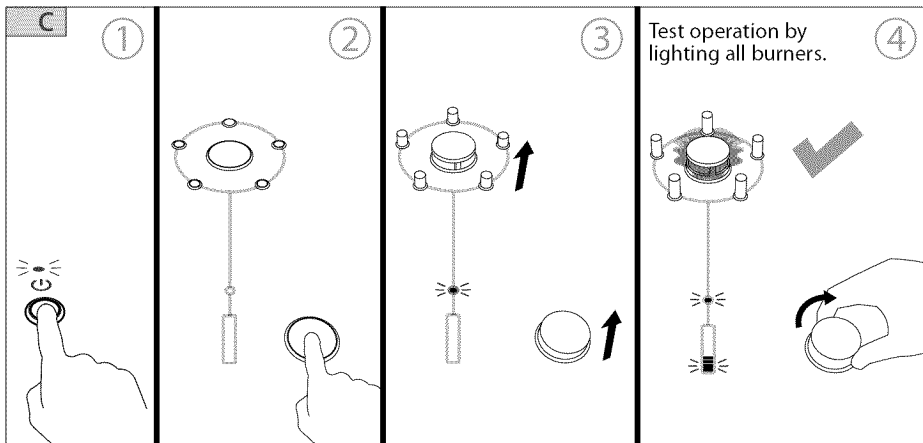
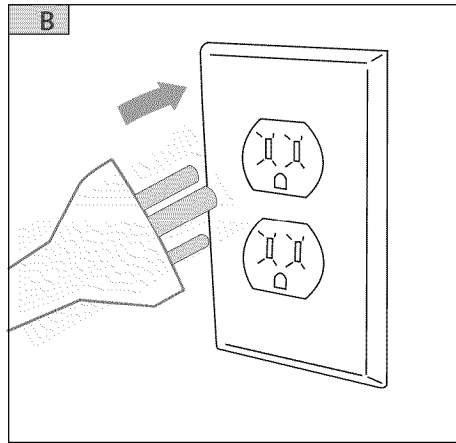
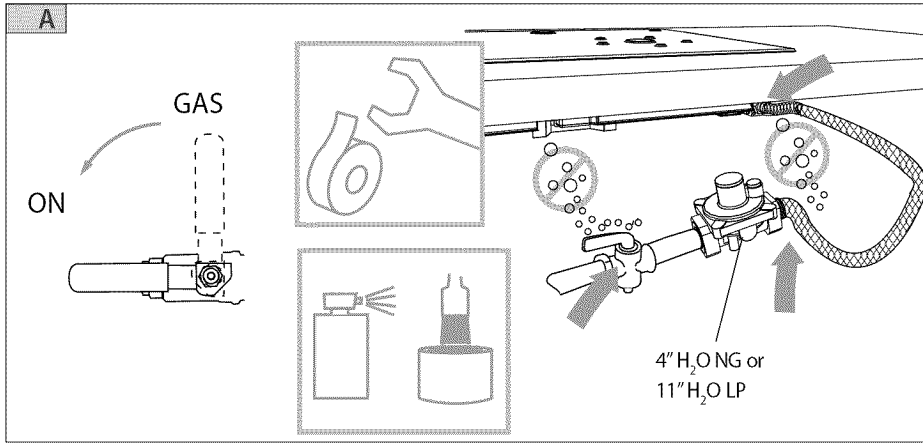
7) INSTALLATION



The CookSurface requires adequate air supply to fully function. The base of the CookSurface must have direct unrestricted ventilation to the room where the CookSurface is installed. Do not ventilate the base area to an external area that can be at different air pressure to that of the burners. You may ventilate from adjacent cupboards, but ensure that the available air supply will not be restricted. The ventilation area must be 20" x 2" (500 x 50 mm) or of an equivalent area. If the 2" (50 mm) wide slot is not possible due to the width of the available toe recess, increase the length of the slot so as to maintain an equivalent area of 100 in² (250 cm²). An air intake grill is provided. Ensure that the grill is not covered or obstructed.



⑧ CHECK FOR GAS LEAKS AND TEST



9 FINAL CHECKLIST

TO BE COMPLETED BY THE INSTALLER



- Have you installed the clamping brackets?
- Have you allowed for adequate air supply to the product?
- Have you leak-tested all connections?
- Is the regulator set to the correct working pressure (4" H₂O NG/11" H₂O LP)?
- Have you placed the supplied duplicate data plate on an adjacent surface?
- Is the CookSurface grounded?
- Check that the power supply cable is NOT touching the CookSurface.

OPERATION:

- Do all burners ignite both individually and in combination?
- Are the flames consistent and appropriately sized?
- Have you demonstrated the basic operation to the customer?

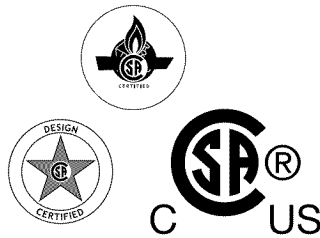
For replacement parts or if further help is needed concerning this appliance call:

Toll Free 1 888 9 FNP USA (1 888 936 7872)

or write to:

Fisher & Paykel Appliances Inc.
5900 Skylab Road
Huntington Beach, CA 92647
USA

or contact us through our web site,
www.fisherpaykel.com



Installer's name: _____

Installer's signature: _____

Installation company: _____

Date of installation: _____

LEAVE THESE INSTRUCTIONS WITH THE CUSTOMER

