

Installation instructions

DishDrawer®

DD24ST models

Fisher & Paykel
innovative living

US CA

Important! SAVE THESE INSTRUCTIONS

The models shown in this document may not be available in all markets and are subject to change at any time. For current details about model and specification availability in your country, please go to our website www.fisherpaykel.com or contact your local Fisher & Paykel dealer.

① SAFETY AND WARNINGS

⚠ WARNING!

Electrical hazard

Before installing the DishDrawer®, remove the house fuse or open the circuit breaker.

If permanently connecting the DishDrawer®, be sure the power is isolated and the DishDrawer® unplugged.

GROUNDING INSTRUCTIONS

This appliance must be grounded. In the event of a malfunction or breakdown, grounding will reduce the risk of electric shock by providing a path of least resistance for electric current. This appliance is equipped with a cord having an equipment-grounding conductor and a grounding plug. The plug must be plugged into an appropriate outlet that is installed and grounded in accordance with all local codes and ordinances. **WARNING** - Improper connection of the equipment-grounding conductor can result in a risk of electric shock. Check with a qualified electrician or service representative if you are in doubt as to whether the appliance is properly grounded.

If the DishDrawer is installed as a permanently connected appliance: **GROUNDING INSTRUCTIONS** - This appliance must be connected to a grounded metal, permanent wiring system, or an equipment-grounding conductor must be run with the circuit conductors and connected to the equipment-grounding terminal or lead on the appliance.

Do not modify the power supply plug provided with the appliance - if it will not fit the outlet, have a proper outlet installed by a qualified electrician. Do not use an extension cord, adapter plug or multiple outlet box.

Failure to follow this advice may result in electrical shock or death.



⚠ WARNING!

Cut hazard

Take care - panel edges are sharp.

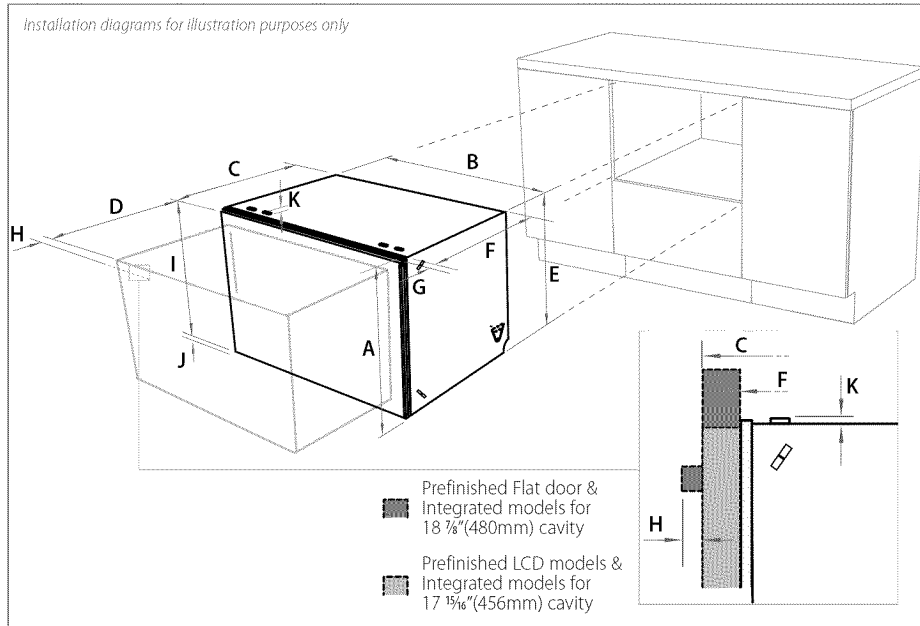
Failure to use caution could result in injury or cuts.



Important safety instructions!

- Installation of this DishDrawer® requires basic mechanical and electrical skills.
- Be sure to leave these Instructions with the Customer.
- Installation must comply with your local building and electricity regulations.
- At the completion of the DishDrawer® installation, the Installer must perform Final Check List.
- Remove all packaging materials supplied with the DishDrawer®.
- This DishDrawer® is manufactured for indoor use only.
- Ensure all water connections are turned OFF. It is the responsibility of the plumber and electrician to ensure that each installation complies with all Codes and Regulations.
- The DishDrawer® MUST be installed to allow for future removal from the enclosure if service is required.
- The switched power outlet must be outside the DishDrawer® cavity so that it is accessible after installation.
- Care should be taken when the appliance is installed or removed to reduce the likelihood of damage to the power supply cord.
- If the DishDrawer® is to be relocated from one installation to another it must be kept upright to avoid damage from water spillage.
- Make sure only new hoses are used for connection (supplied with DishDrawer®). Old hoses should not be reused.
- Failure to install the DishDrawer® correctly could invalidate any warranty or liability claims.
- If the product is installed in a motor vehicle, boat or similar mobile facility, you must bring the vehicle, boat or mobile facility containing the product to the service shop at your expense or pay the service technician's travel to the location of the product.

② PRODUCT DIMENSIONS



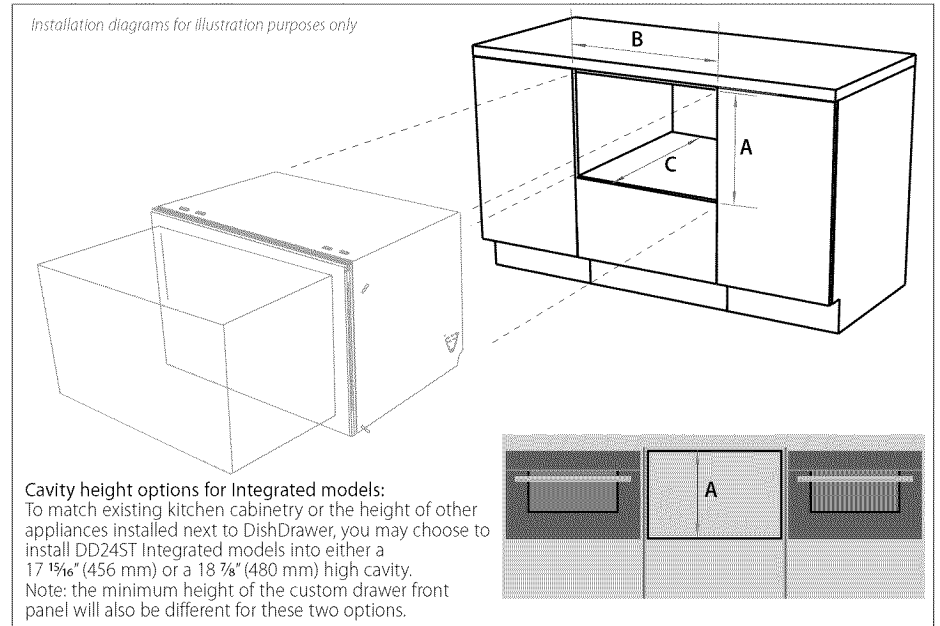
Product dimensions (inches (mm))

| | Prefinished LCD** DD24ST | Prefinished Flat door DD24ST | Integrated 17 15/16\" (456 mm) cavity** DD24ST | Integrated 18 7/8\" (480 mm) cavity DD24ST |
|--|--------------------------|------------------------------|--|--|
| A overall height* of product (incl. drawer front height) | 17 13/16\" (453) | 18 3/4\" (477) | 17 13/16\" (453) | 18 3/4\" (477) |
| B overall width of product | 23 9/16\" (599) | 23 9/16\" (599) | 23 9/16\" (599) | 23 9/16\" (599) |
| C overall depth of product (excl. curvature/handle) | 22 7/16\" (570) | 22 7/16\" (570) | 22 7/16\" (570)*** | 22 7/16\" (570)*** |
| D depth of drawer (open) (excl. curvature/handle) | 21 3/16\" (538) | 21 3/16\" (538) | 21 3/16\" (538) | 21 3/16\" (538) |
| E height* of chassis | 17 13/16\" (453) | 17 13/16\" (453) | 17 13/16\" (453) | 17 13/16\" (453) |
| F depth of chassis (incl. trimseal) | 21 3/4\" (552) | 21 3/4\" (552) | 21 3/4\" (552) | 21 3/4\" (552) |
| G depth of drawer front panel (excl. curvature/handle) | 1 1/16\" (18) | 1 1/16\" (18) | 1 1/16\" (18) | 1 1/16\" (18) |
| H depth of curvature or handle | 7/16\" (11) | 1 5/8\" (41) | n/a | n/a |
| I height of drawer front | 17 1/4\" (438) | 18 1/2\" (470) | 17 3/8\" (442) min | 18 1/2\" (470) min |
| J height of venting area at base of product | 1/4\" (7) | 3/8\" (9) | 3/8\" (9) | 3/8\" (9) |
| K height of installation bracket slots (on top of chassis) | 1/16\" (2) | 1/16\" (2) | 1/16\" (2) | 1/16\" (2) |

*Chassis heights include bracket slots **In these instances, you would skip step ⑦ ***Panel thickness - 1/16\" (18 mm)

Note: for Prefinished Flat door models, the height from the top of handle to the top of door - 2 1/2\" (64 mm)

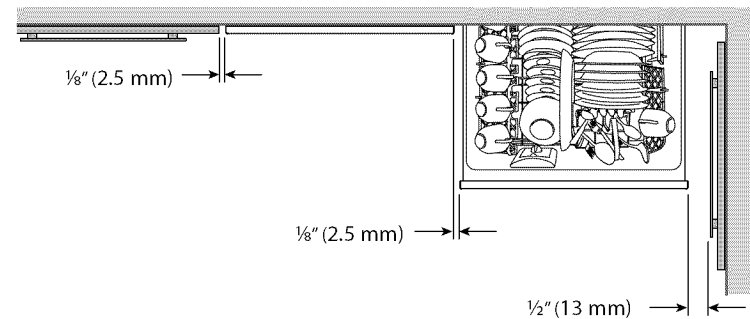
③ CABINETY DIMENSIONS




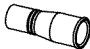


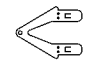





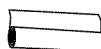

Cabinetry dimensions (inches (mm))

| | Prefinished LCD DD24ST | Prefinished Flat door DD24ST | Integrated 17 15/16\" (456 mm) cavity DD24ST | Integrated 18 7/8\" (480 mm) cavity DD24ST |
|-----------------------------------|------------------------|------------------------------|--|--|
| A inside height of cavity | 17 15/16\" (456) | 18 7/8\" (480) | 17 15/16\" (456) | 18 7/8\" (480) |
| B inside width of cavity | 23 5/8\" (600) | 23 5/8\" (600) | 23 5/8\" (600) | 23 5/8\" (600) |
| C inside depth of cavity (inside) | 22 7/8\" (580) | 22 7/8\" (580) | 22 7/8\" (580) | 22 7/8\" (580) |

Minimum clearances (inches (mm))



4 PARTS SUPPLIED

| | | | | | | | | | | | |
|--|---|---|---|---|---|---|---|---|--|---|---|
|  |  |  |  |  |  |  |  |  |  |  |  |
| Drain hose support (1) | Drain hose joiner (1) | Wire clip (1) | Side mounting bracket kit (A and B) (2) OPTIONAL | Top mounting brackets (2) OPTIONAL | Clamp (1) | Phillips 3/8" (16 mm) screws (7) | 1 1/2" (38 mm) bottom fixing screws & metal washers (2) | Rubber washer for inlet hose (1) | Cavity bracket kit (1) (supplied only with Prefinished flat door and Integrated models) | Moisture protection tape (1) (to prevent moisture damage) | Edge protector (1) (if services hole partition is metal) |

If the Drain hose(s) supplied are not long enough to reach your services, you **must** use a Drain Hose Extension Kit P/N 525798 which will extend the drain hose(s) by 11' 10" (3.6m). The kit is available from the nearest Fisher & Paykel Authorized Service Agent, or Toll free 1.888.936.7872 or www.fisherpaykel.com.

5 CAVITY PREPARATION

Important!

Be sure the edges of the services hole are smooth or covered. If the services hole is through a metal partition the hole must be protected with the Edge protector supplied to prevent damage to the power cord or hoses.

- These marks indicate formed bracket screw locations.
Note: To align drawer front to adjacent cabinetry, the product to countertop clearance can be increased to 1/8" (3 mm).
- Preferred position. If adequate clearance, services hole can be higher.
If hole is higher, ensure drain hose(s) are routed straight into the waste connection.

Water Connection

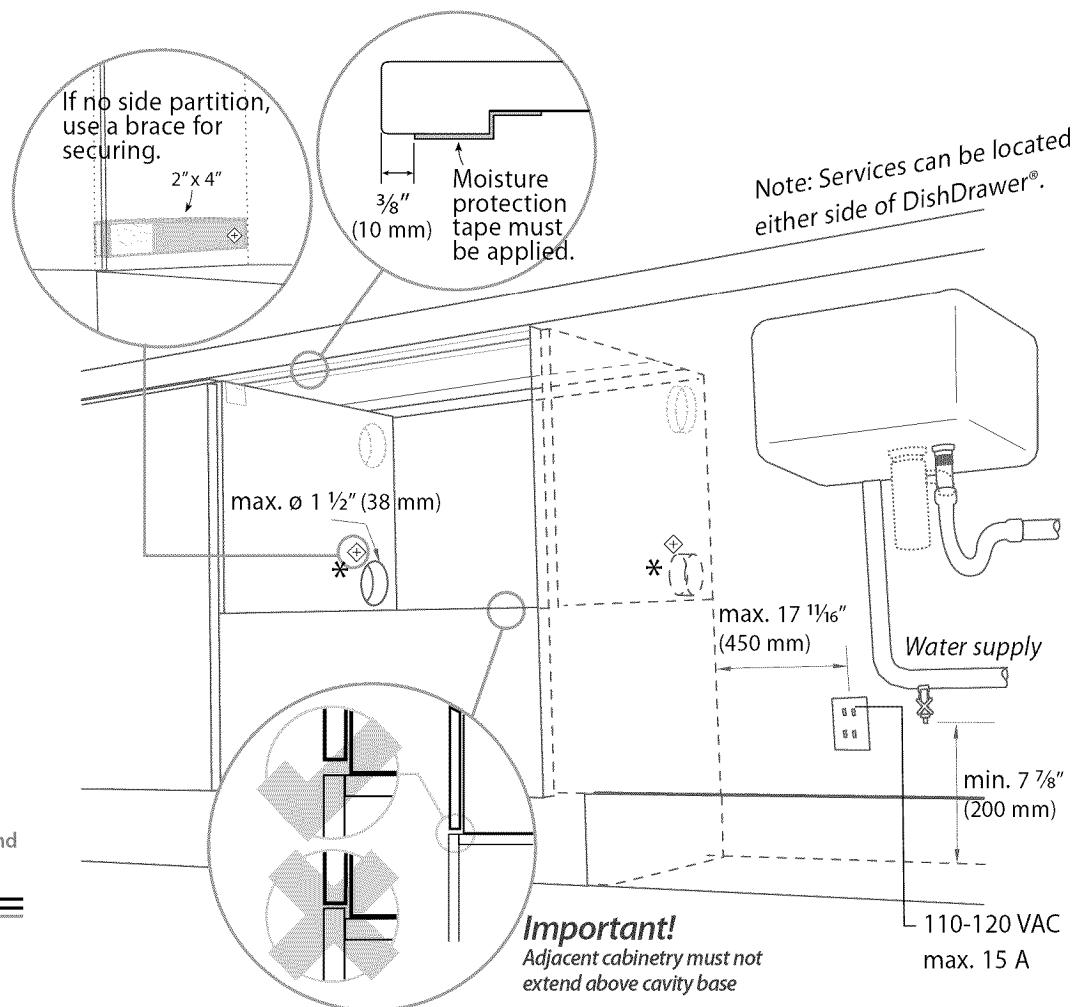
Recommended **HOT** (Maximum 140°F/60°C).
Supplied hose to suit 3/8" (9 mm) male compression fitting.

Water Pressure

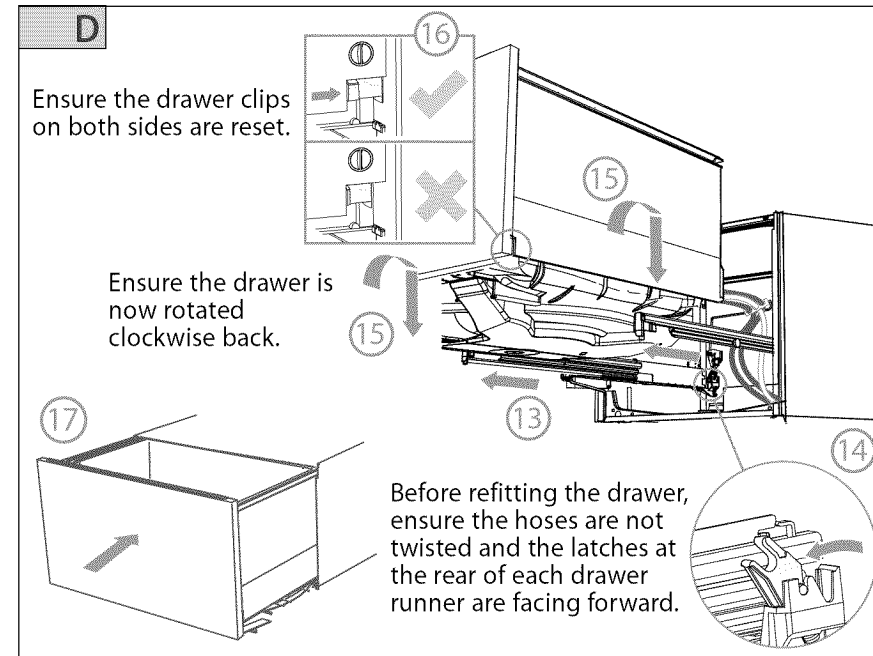
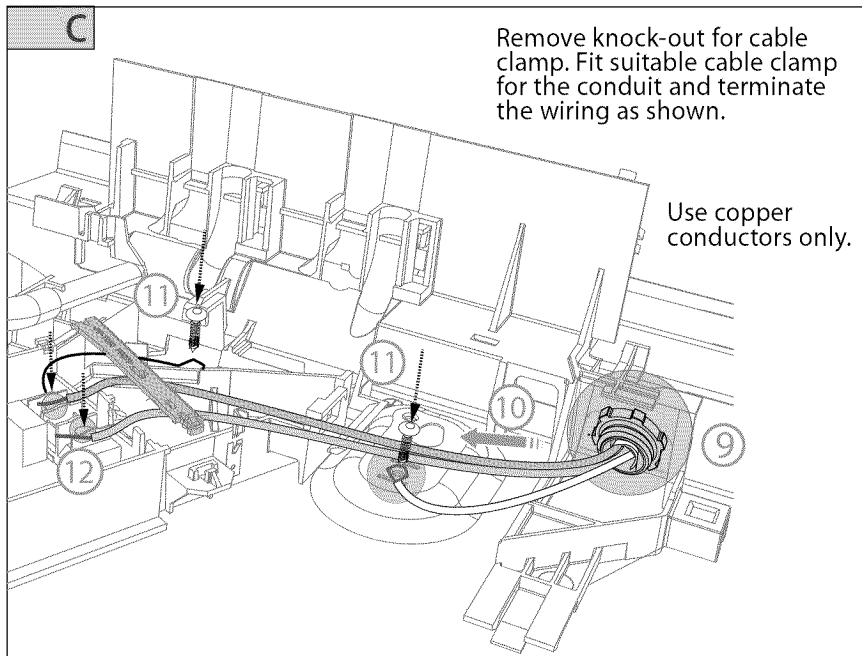
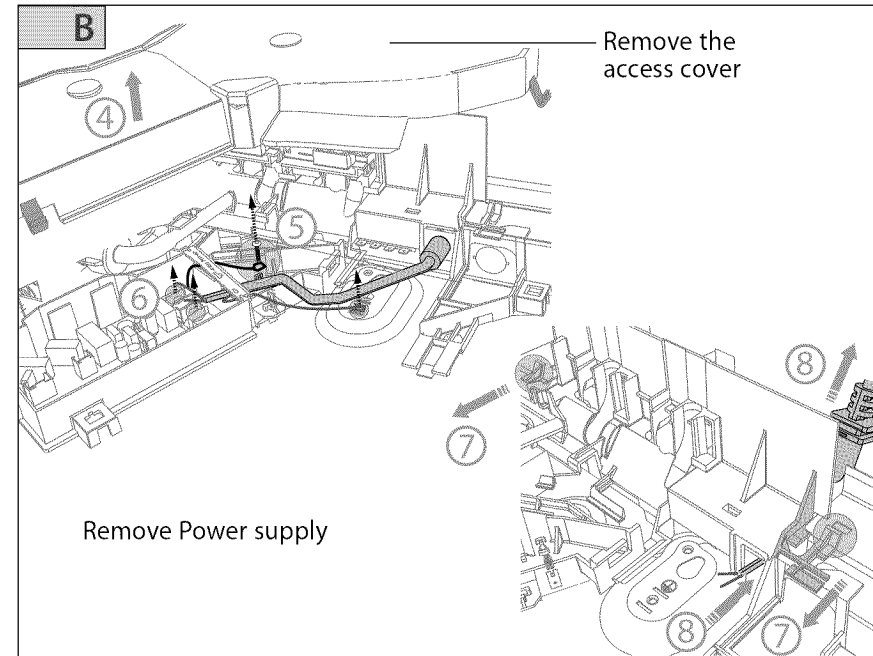
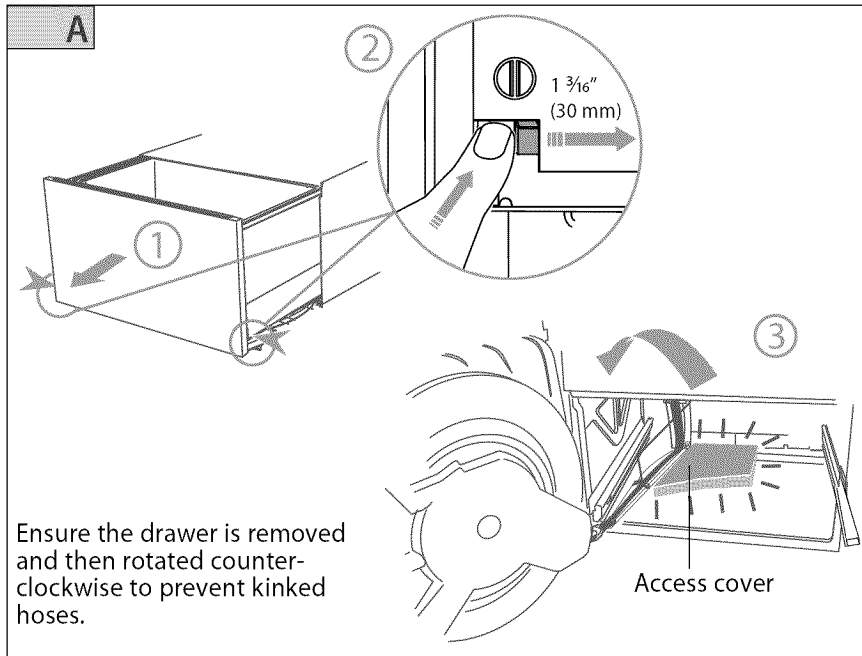
| | Max | Min |
|-----------------------|-----------------|--------------------|
| Water softener models | 1 MPa (145 psi) | 0.1 MPa (14.5 psi) |
| Other models | 1 MPa (145 psi) | 0.03 MPa (4.3 psi) |

- Drains will need to be separated to satisfy kosher requirements. We suggest you confirm acceptability with your local rabbi in respect to kosher installations.

| Max. distance of hoses and cord from chassis edge | Left hand side | Right hand side |
|---|-------------------|-------------------|
| Drain hose | 78 1/2" (2000 mm) | 70 1/2" (1800 mm) |
| Inlet hose | 64 3/4" (1650 mm) | 49" (1250 mm) |
| Power cord (excl. plug) | 29 1/2" (750 mm) | 27 1/2" (700 mm) |



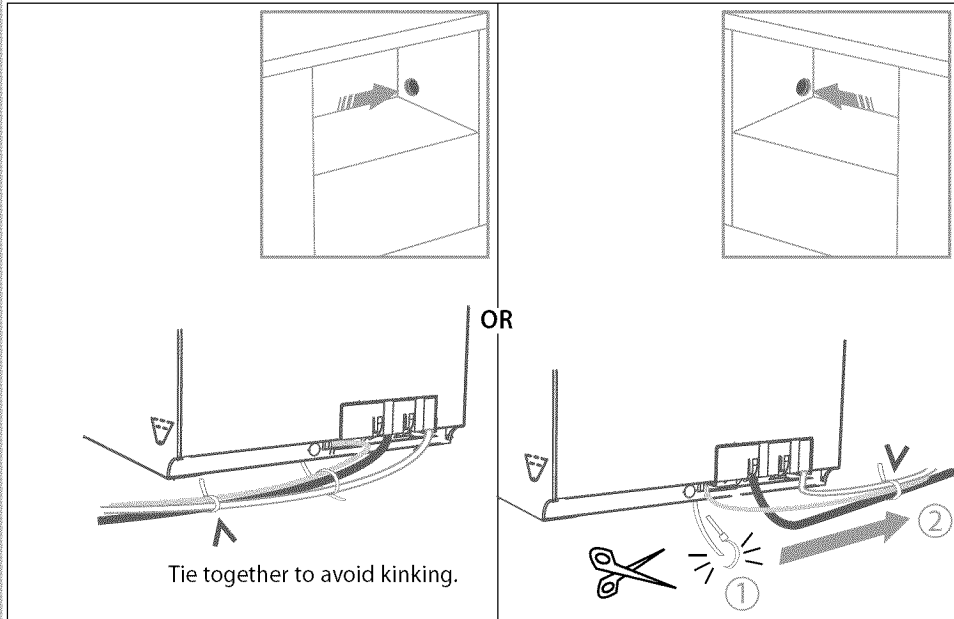
⑥ OPTIONALLY HARD WIRING THE PRODUCT



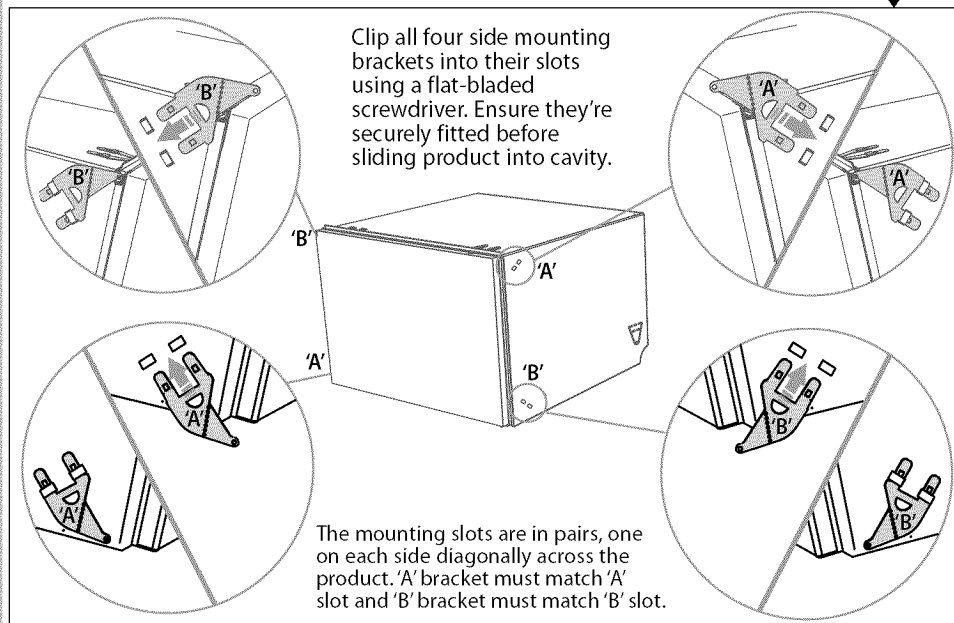
7 PREFINISHED FLAT DOOR & INTEGRATED MODELS FOR 18⁷/₈"(480mm) CAVITY ONLY - ATTACH CAVITY BRACKET
(SEE SEPARATE INSTRUCTION SHEET SUPPLIED WITH BRACKET)

RECOMMENDED METHOD - SECURE WITHOUT DRAWER REMOVAL (FRAMELESS CABINETRY ONLY)

8 ROUTE THE HOSES

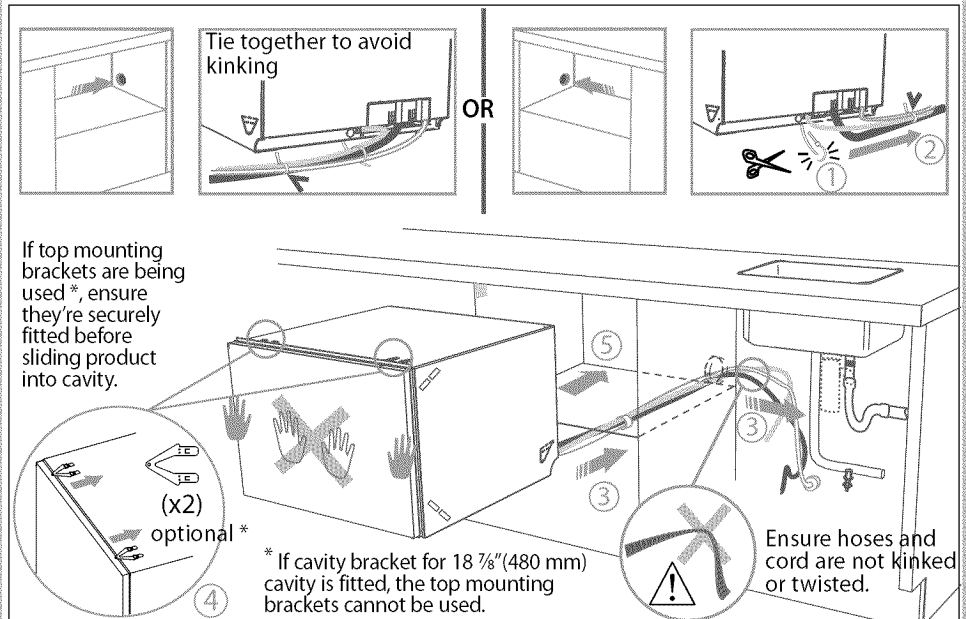


9 ATTACH SIDE MOUNTING BRACKETS

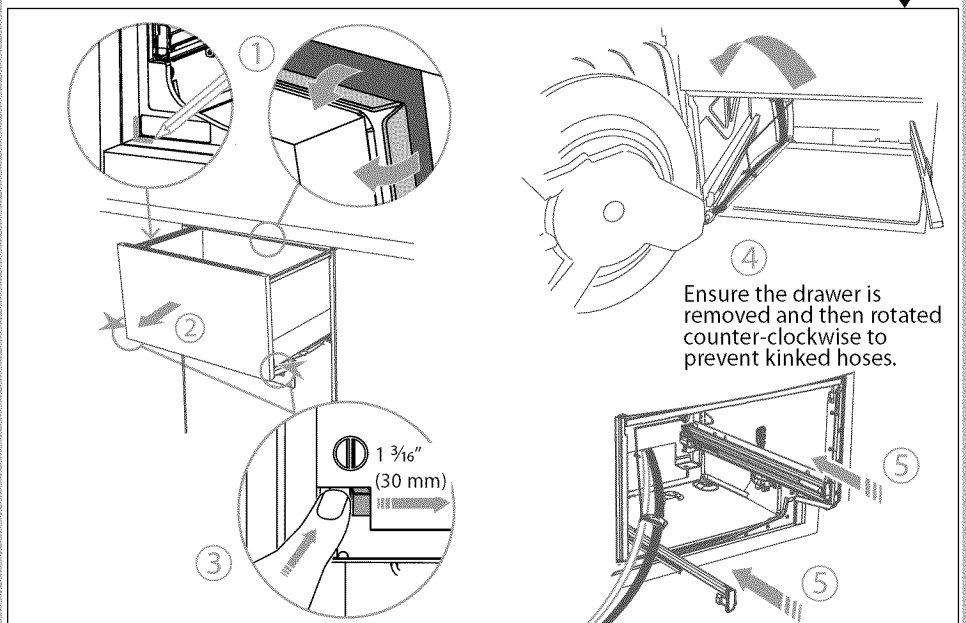


ALTERNATIVE METHOD - SECURE BY DRAWER REMOVAL

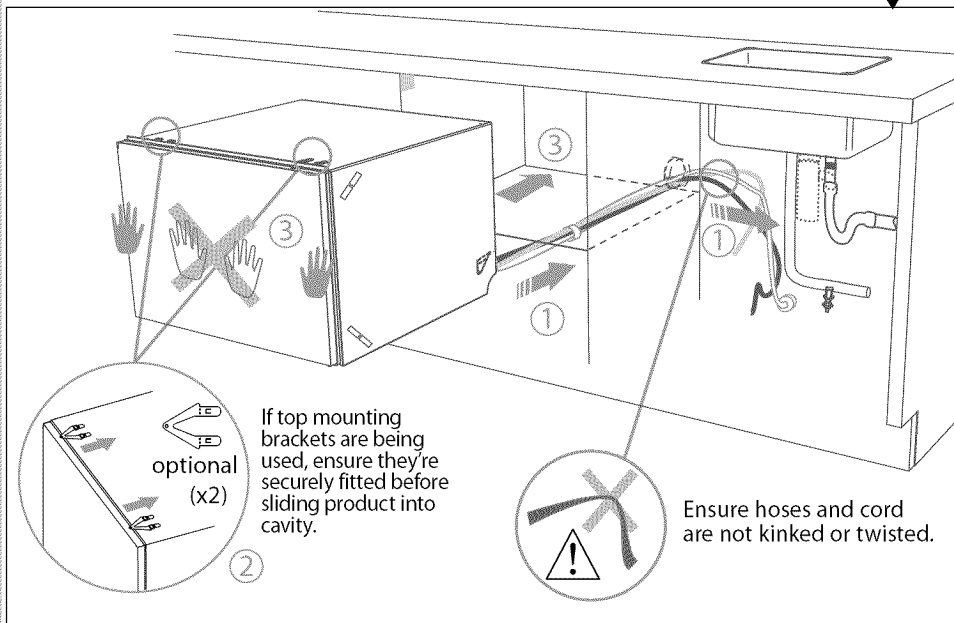
8 ROUTE THE HOSES AND MOVE INTO CAVITY



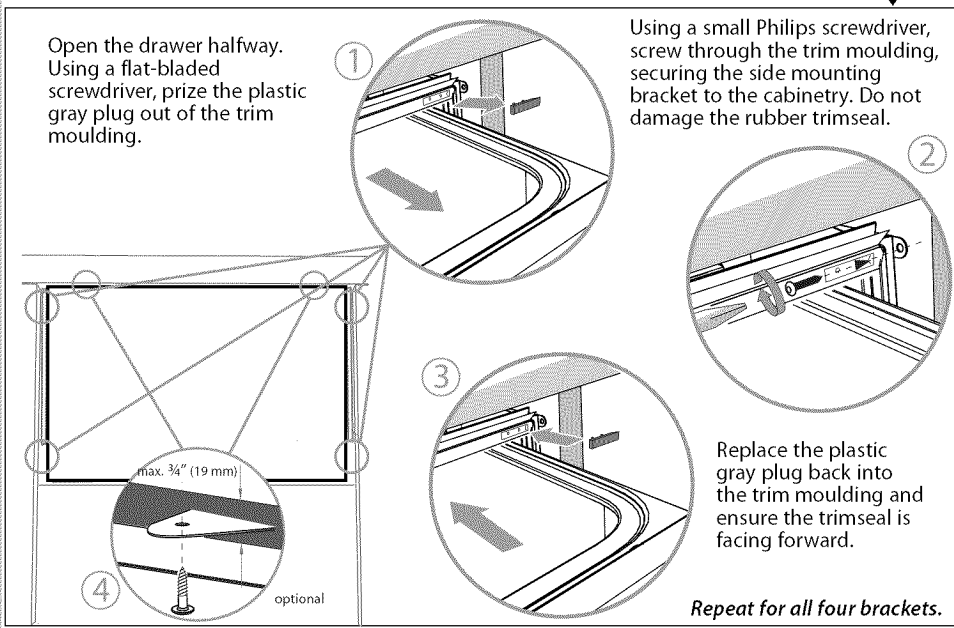
9 REMOVE DRAWER



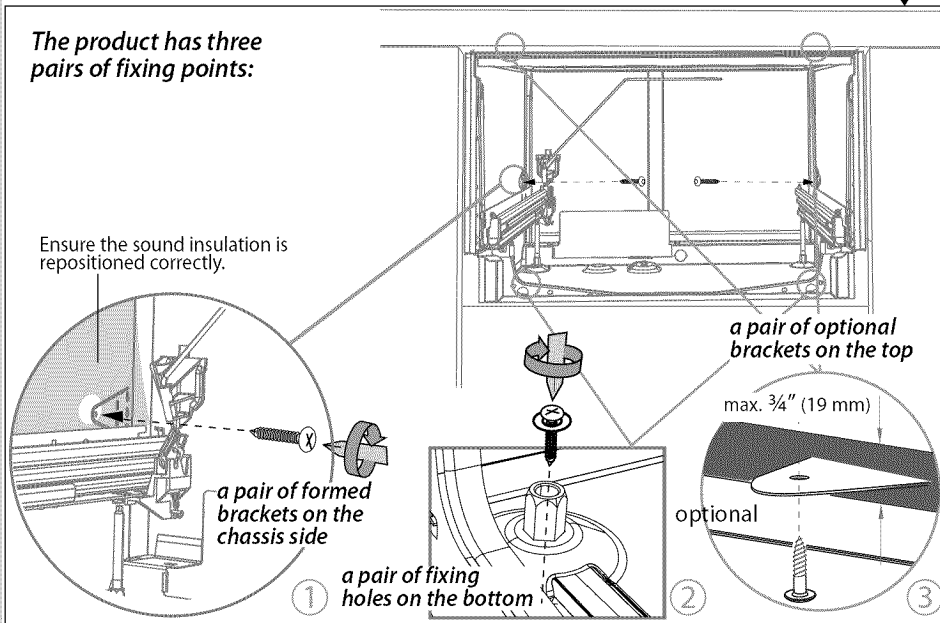
10 MOVE INTO THE CAVITY



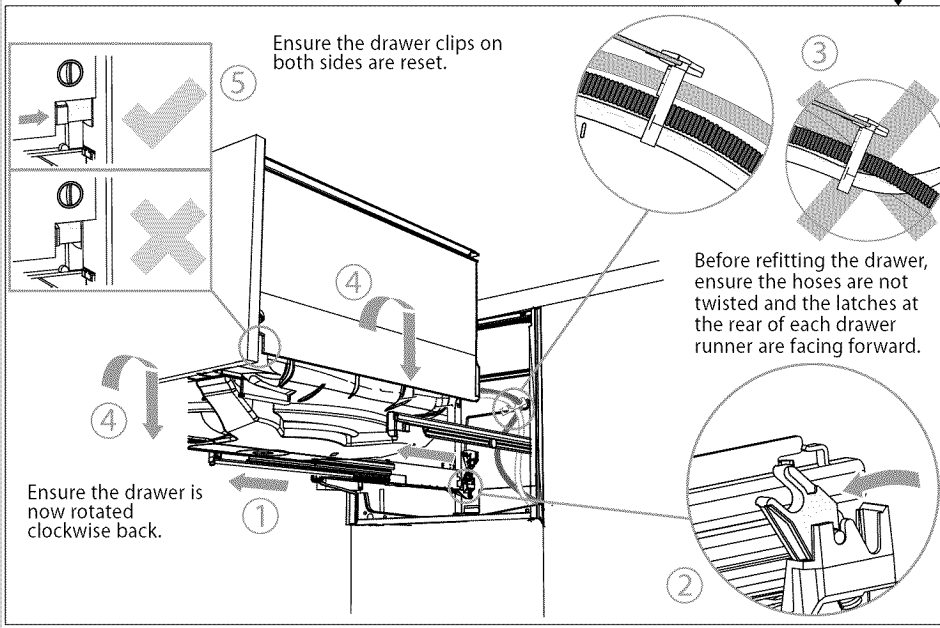
11 SECURE THE DRAWER



10 SECURE THE DRAWER



11 REFIT THE DRAWER



12 PLUMBING AND DRAINAGE OPTIONS

A DishDrawer® with Waste Disposal ②

If space is limited for fixing, push hose through drain hose support to required height

29 1/2" - 34 3/4" (750 - 882.5 mm)

HIGHLOOP min. 6" (150 mm)

min. R 8" (200 mm)

Supplied drain hose joiner (Ø 3/4" (19 mm)) waste tee

B DishDrawer® using Air Break with Drain Hose Joiner ①

Supplied drain hose joiner (Ø 3/4" (19 mm)) waste tee

Air Break

37 3/8" (950 mm) Max. height to top of Air Break (countertop or wall mounted)

min. R 8" (200 mm)

C DishDrawer® and Standpipe Ø 1 1/2" (38 mm) ②

If space is limited for fixing, push hose through drain hose support to required height

29 1/2" - 34 3/4" (750 - 882.5 mm)

Waste Disposal (optional)

min. R 8" (200 mm)

Fit supplied rubber washer

Ensure hoses are routed straight to joiner. Remove excess hose material if necessary.

④

180°

⑤

⑥

⑦

Fit supplied rubber washer

Ensure hoses are routed straight to joiner. Remove excess hose material if necessary.

②

180°

③

④

⑤

Fit supplied rubber washer

③

180°

④

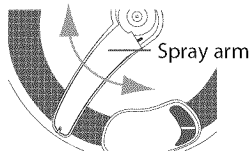
⑤

⑥

13 FINAL CHECKLIST



- Check all parts are installed.
- Ensure product is level, securely fastened to the cabinetry and opens and closes freely. The DishDrawer® must be free to fully close with no resistance from the cabinetry.
- Ensure inlet hose to water supply has rubber washer fitted and is tightened a further half turn after seal contact.
- Ensure any knockouts or plugs in drain connection have been drilled out and drain connection has been made.
- The drain hose joiner must not support the weight of excess hoses. Keep hoses as fully extended as possible to prevent sagging. Any excess length of hose should be kept on the DishDrawer® side of the high loop.
- If using Plumbing and Drainage OPTION A, ensure the Highloop is a minimum 6" (150 mm) higher than the drain hose joiner.
- Turn on the power and water supply. Then press the Power (⏻) button to turn the DishDrawer® on. The DishDrawer® should beep and Wash Programme lights light up.
- Check the spray arm is in place and free to rotate.



- Add three cups of water into the DishDrawer®. On the Wash Programme Selector Panel press Rinse and close the drawer. Start the programme by pressing the Start/Pause (▶||) button.
- After the Rinse programme has finished, ensure machine has run and drained correctly.
- Check water supply and drainage connection for leakage.

14 TROUBLESHOOTING

- **Excessive water remaining above the filter plate, after the rinse cycle**
Check for kinked drain hoses or blocked waste connection, high loop not properly installed or drain hoses not routed correctly.
- **No water supply (⊗ shows on display-models with LCD only)**
Check water is connected, turned on and the spray arm is correctly fitted and free to rotate.
- **No lights come on when the drawer is opened**
Ensure power is connected and is switched on. Check if Auto Power option is on.
- **Water around water supply and drainage connections**
Check connections, existing plumbing and hoses for leaks. Check washer and hose clamps are correctly fitted.
- **If product is tipping**
Ensure the product is secured to the cabinetry.
- **If front panels are misaligned**
Check and relevel product. Check the cabinetry is square.
- **Drawer doesn't close properly**
Ensure nothing is obstructing the drawer from closing properly eg sound insulation, hoses or drawer latches.
- If a problem occurs, consult the Troubleshooting section of the User Guide.
- If after checking these points you still need assistance, please refer to the Service & Warranty book for warranty details and your nearest Authorized Service Center, or contact us through our website, www.fisherpaykel.com.