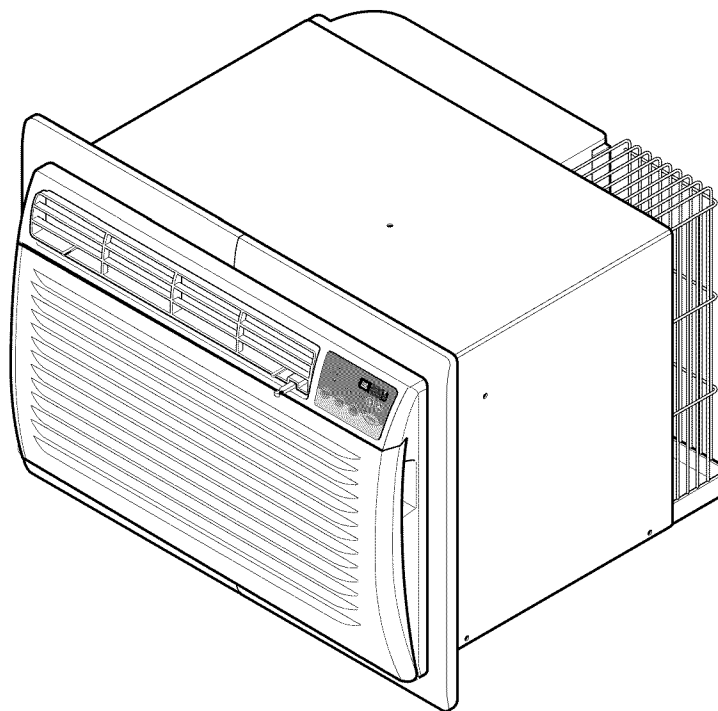


Owner's Manual
Manual del Propietario



THROUGH-THE-WALL AIR CONDITIONER ACONDICIONADO DE AIRE A TRAVES DE PARED

Model, Modelo 580.75135



ENGLISH

ESPAÑOL

Distributed by Sears, Roebuck and Co., Hoffman Estates, IL 60179
www.sears.com

TABLE OF CONTENTS

TABLE OF CONTENTS	2	Features	13
WARRANTY	2	Using the Air Conditioner	13
SAFETY	3	Control Panel	14
Important Safety Instructions	3	Remote Control	15
ELECTRICAL REQUIREMENTS	4	MAINTENANCE	17
INSTALLATION	5	Air Filter Cleaning	17
Installation Requirements	5	Air Conditioner Cleaning	17
Installation	6	How to Remove the Front Grille	17
Procedure A	7	How to Replace the Front Grille	17
Procedure B	8	TROUBLESHOOTING	18
Procedure C	10	Before Calling for Service	18
OPERATION	12	ESPAÑOL	20
How and Why	12	MASTER PROTECTION	
Normal Sounds	12	AGREEMENTS	39
Capacity and Running Time	12	SERVICE NUMBERS	Back Cover

WARRANTY

FULL ONE YEAR WARRANTY ON THROUGH-THE-WALL AIR CONDITIONER

For one year from the date of purchase, when this air conditioner is operated and maintained for normal room cooling according to the instructions in this owner's manual, Sears will repair this air conditioner, free of charge, if defective in material or workmanship.

FULL FIVE-YEAR WARRANTY ON SEALED REFRIGERATION SYSTEM

For five years from the date of purchase, when this air conditioner is operated and maintained for normal room cooling according to the instructions in this owner's manual, Sears will repair the sealed refrigeration system (consisting of refrigerant, connecting tubing, and compressor), free of charge, if defective in material or workmanship.

WARRANTY SERVICE IS AVAILABLE BY CONTACTING SEARS SERVICE AT 1-800-4-MY-HOME®.

Warranty coverage applies only to air conditioners used for non-commercial, private household purposes.

This warranty applies only while this product is in use in the United States.

This warranty gives you specific legal rights, and you may also have other rights which vary from state to state.

Distributed by Sears, Roebuck and Co., Hoffman Estates, IL 60179

SAFETY

IMPORTANT SAFETY INSTRUCTIONS

The safety instructions below will tell you how to use your room air conditioner to avoid harm to yourself or damage to your ROOM AIR CONDITIONER.

⚠️ WARNING FOR YOUR SAFETY

Do not store or use gasoline or other flammable vapors and liquids in the vicinity of this or any other appliance. Read product labels for flammability and other warnings.

⚠️ WARNING PREVENT ACCIDENTS

To reduce the risk of fire, electrical shock, or injury to persons when using your air conditioner, follow basic precautions, including the following:

- Be sure the electrical service is adequate for the model you have chosen.
- If the air conditioner is to be installed in a window, you will probably want to clean both sides of the glass first. If the window is a triple-track type with a screen panel included, you may want to remove the screen completely before installation.
- Be sure the air conditioner has been securely and correctly installed according to the instructions in this manual.

Save this manual and installation instructions for possible future use in removing or reinstalling this unit.

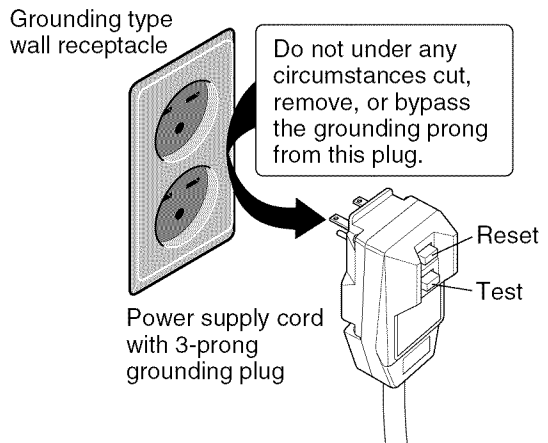
- Use gloves when handling the air conditioner. Be careful to avoid cuts from sharp metal fins on front and rear coils.

⚠️ WARNING ELECTRICAL INFORMATION

The complete electrical rating of your new room air conditioner is stated on the serial plate. Refer to the rating when checking the electrical requirements.

- Be sure the air conditioner is properly grounded. To minimize shock and fire hazards, proper grounding is important. The power cord is equipped with a three-prong grounding plug for protection against shock hazards.
- Your air conditioner must be plugged into a properly grounded wall receptacle. If the wall receptacle you intend to use is not adequately grounded or protected by a time delay fuse or circuit breaker, have a qualified electrician install the proper receptacle.
- Do not run air conditioner with packing sheet of the back of the sleeve, and packing corner and blue tape of the air conditioner. This could result in mechanical damage within the air conditioner.
- **Do not use an extension cord or an adapter plug.**

⚠️ WARNING Avoid fire hazard or electric shock. Do not use an extension cord or an adapter plug. Do not remove any prong from the power cord.



ENERGY SAVING IDEAS

- The capacity of the room air conditioner must fit the room size for efficient and satisfactory operation.
- Install the room air conditioner on the shady side of your home. A window that faces north is best because it is shaded most of the day.
- Do not block air conditioner flow inside with blinds, curtains, or furniture; or outside with shrubs, enclosures, or other buildings.
- Close the floor and wall registers and the fireplace damper so cool air does not escape up the chimney or into the duct work.
- Keep blinds and drapes in other windows closed during the sunniest part of the day.
- Clean the air filter as recommended in the MAINTENANCE section of this manual.
- Proper insulation and weather stripping in your home will help keep warm air out and cool air in.
- External house shading with trees, plants or awnings will help reduce the air conditioner's work load.
- Operate heat producing appliances such as ranges, washers, dryers, and dishwashers during the coolest part of the day.

ELECTRICAL REQUIREMENTS

OBSERVE ALL LOCAL CODES AND ORDINANCES.

DO NOT, UNDER ANY CIRCUMSTANCES, REMOVE THE POWER SUPPLY CORD GROUND PRONG.

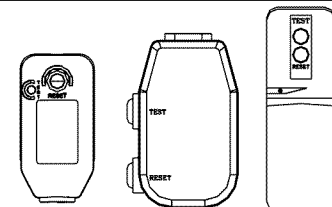
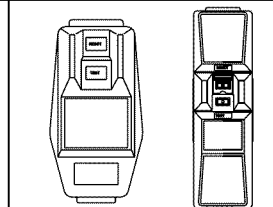
ELECTRICAL GROUND IS REQUIRED ON THIS APPLIANCE.

208/230-volt 60 Hz and 115-volt 60 Hz, AC only, 15A fused and properly grounded electrical supply is required. A time delay fuse or time delay circuit breaker is recommended. Use a dedicated circuit, serving only this appliance.

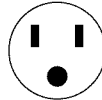


DO NOT USE AN EXTENSION CORD.

RECOMMENDED GROUNDING METHOD


For your personal safety, this appliance must be grounded. This appliance has a power supply cord with a 3-prong grounding plug. To minimize possible shock hazard, the cord must be plugged into a mating grounding type wall receptacle and grounded in accordance with the National Electrical Code (ANSI/NFPA 70) latest edition and all local codes and ordinances. If a mating wall receptacle is not available, it is the personal responsibility and obligation of the customer to have a properly grounded 3-prong wall receptacle installed by a qualified electrician.

115V~	230V~	
		Power cord may include a current interrupter device. A test and reset button is provided on the plug case. The device should be tested on a periodic basis by first pressing the TEST button and then the RESET button. If the TEST button does not trip or if the RESET button will not stay engaged, discontinue use of the air conditioner and contact a qualified service technician.

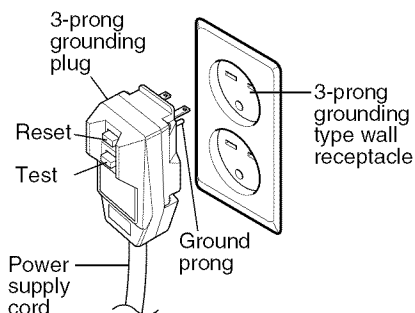
NOTE: The shape may be different according to its model.

Use Wall Receptacle	Power Supply
 Standard 125V, 3-wire grounding receptacle rated 15A, 125V AC	Use 15 AMP. time delay fuse or 15 AMP. circuit breaker.
 Standard 250V, 3-wire grounding receptacle rated 15A, 250V AC	
 Standard 250V, 3-wire grounding receptacle rated 20A, 250V AC	Use 20 AMP. time delay fuse or 20 AMP. circuit breaker.

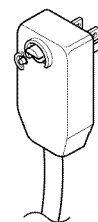
⚠ WARNING



Electrical Shock Hazard
 Plug into a grounded 3 prong outlet.
 Do not remove ground prong.
 Do not use an adapter.
 Do not use an extension cord.
 Failure to follow these instructions can result in death, fire, or electrical shock.



(208/230-volt 60 Hz)



(115-volt 60 Hz)

INSTALLATION

Remove packing materials from the wall sleeve and tape from the air conditioner.

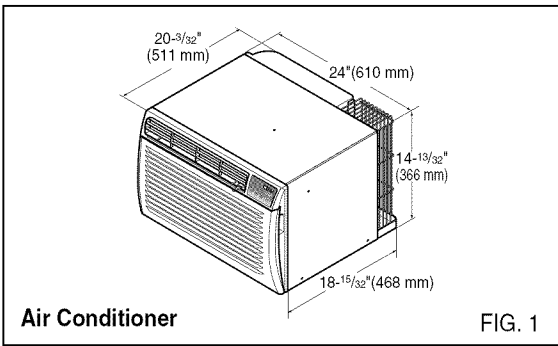
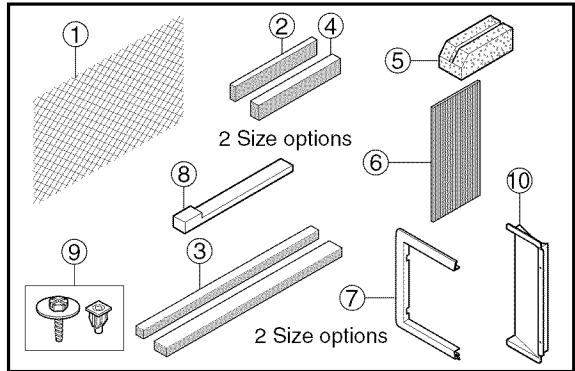
INSTALLATION REQUIREMENTS

If you use an existing wall sleeve, you should measure its dimensions.

Install the new air conditioner according to these installation instructions to achieve the best performance. All wall sleeves used to mount the new air conditioner must be in good structural condition and have a rear grille to securely attach the new air conditioner. (FIG. 1)

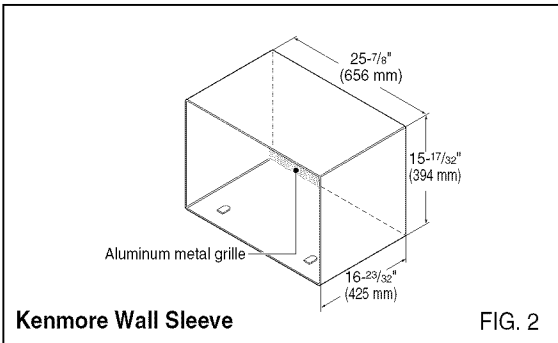
With the Kenmore sleeve, you can maintain the best performance of the new air conditioner. (FIG. 2)

INSTALLATION HARDWARE



Air Conditioner

FIG. 1



Kenmore Wall Sleeve

FIG. 2

ELECTRICAL SERVICE

Check your available electrical service. The power supply available must be the same as that shown on the unit nameplate (found on left side of cabinet).

All models are equipped with a 3-prong service plug to provide proper service and safe positive grounding. Do not change plug in any way. Do not use an adapter plug. If your present wall outlet does not match your plug, call a qualified electrician to make the necessary corrections. SAVE CARTON for storage and this OWNER'S MANUAL for future reference. The carton is the best way to store unit during winter or when not in use.

ITEM	NAME OF PARTS	Q'TY
①	PLASTIC GRILLE	1
②	VERTICAL INSULATION STRIP	1
③	AROUND INSULATION STRIPS	2
④	HORIZONTAL INSULATION STRIP	1
⑤	SUPPORT BLOCK	2
⑥	BAFFLE	1
⑦	TRIM FRAME	2
⑧	SHIM	2
⑨	PLASTIC NUTS AND WASHER SCREWS	4
⑩	GRILLE REAR	1



CAUTION

To avoid risk of personal injury, property damage, or product damage due to the weight of this device and sharp edges that may be exposed:

- Air conditioners covered in this manual pose an excessive weight hazard. Two or more people are needed to move and install the unit. To prevent injury or strain, use proper lifting and carrying techniques when moving unit.
- Carefully inspect location where air conditioner will be installed. Be sure it will support the weight of the unit over an extended period of time.
- Handle air conditioner with care. Wear protective gloves whenever lifting or carrying the unit. AVOID the sharp metal fins of front and rear coils.
- Make sure air conditioner does not fall during installation.

REQUIRED TOOLS:

- Tight Fitting gloves
- Standard screwdriver
- Phillips screwdriver
- Pliers
- Sharp knife
- 3/8-inch open end wrench or adjustable wrench
- 1/4-inch hex socket and ratchet
- Tape measure
- Electric drill
- 1/4-inch drill bit

INSTALLATION

INSTALLATION

CAUTION

We strongly recommend the removal of the old wall sleeve and the installation of a new Kenmore Wall Sleeve.

If you decide to keep the existing wall sleeve, you have to redirect the louvers at the back of the wall sleeve illustration. The use of pliers is recommended. If you DO NOT redirect, you run the risk of poor performance or product failure. This is not covered under the terms of the Kenmore warranty.

- Pick a location which will allow the conditioned air to blow into the area you want. Good installation with special attention to the proper position of the unit will lessen the chance that service will be needed.

ITEMS IN INSTALLATION HARDWARE

You may not need all parts in the kit. Discard unused parts

ITEM (inches)	Qty.
Plastic grille	26 ³ / ₄ x 16 ¹ / ₂ 1
Vertical insulation strip	15 ⁹ / ₁₆ x 1 ³ / ₈ x 1 ³ / ₈ 1
Around Insulation Strips	67 ¹ / ₈ x 1 ³ / ₈ x 2 ⁵ / ₃₂ 1
	59 ²⁷ / ₃₂ x 1 ³ / ₈ x 1 ³ / ₈ 1
Horizontal Insulation Strip	23 ⁷ / ₃₂ x 1 ³ / ₈ x 1 ³ / ₁₆ 1
Support Block	1 ³ / ₄ x 1 ³ / ₈ x 4 ⁵ / ₁₆ 2
Baffle	14 x 4 ¹ / ₂ x 1 ¹ / ₈ 1
Shim	11 ¹³ / ₁₆ x 1 x 3 ³ / ₄ 2
Trim Frame	2
Washer Screw	4
Nuts(Plastic)	4
Grille Rear	1

HOW TO INSTALL

- 1 Identify the existing wall sleeve before installing the unit from the listed below.

Brand	Wall Sleeve Dimensions (inches)		
	Width	Height	Depth
White-Westinghouse Frigidaire Carrier (52F series)	25-1/2	15-1/4	16, 17-1/2 or 22
General Electric /Hotpoint	26	15-5/8	16-7/8
Whirlpool	25-7/8	16-1/2	17-1/8 or 23
Fedders/Emerson	27	16-3/4	16-3/4 or 19-3/4
Sears/Kenmore	25-7/8	15-17/32	16-23/32
Emerson/Fedders	26-3/4	15-3/4	15
Carrier (51S Series)	25-3/4	16-7/8	18-5/8
Friedrich	27	16-3/4	16-3/4

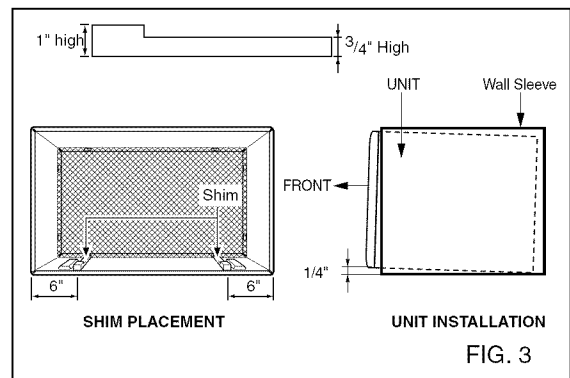
NOTE: All wall sleeves used to mount the new Air Conditioner must be in sound structural condition and have a rear grille that securely attaches to sleeve, or rear flange that serves as a stop for the Air Conditioner.

- 2 Remove old air conditioner from existing wall sleeve.
- 3 Clean the interior of an existing sleeve. (Do not disturb seals.)
- 4 Wall sleeve must be securely fastened in wall before installing the air conditioner. Use the nails or screws through sleeve into wall, if needed. Repaint sleeve if needed.
- 5 Prepare the wall sleeve for installation of the unit. If you plan to use your existing wall sleeve, and it is not Kenmore, use procedure B or C below.

Procedure	Brand	Depth(inches)
A	Sears/Kenmore	16-23/32
B	White-Westinghouse Frigidaire Carrier (52F series)	16, 17-1/2 or 22
	General Electric /Hotpoint	16-7/8
	Whirlpool Carrier (51S series)	17-1/8 or 23 18-5/8
C	Fedders/Emerson	16-3/4 or 19-3/4
	Emerson/Fedders	15
	Friedrich	16-3/4

- 6 Install new unit into wall sleeve.

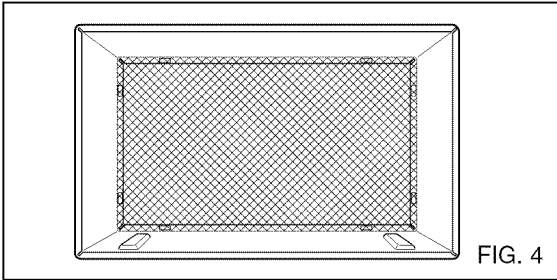
CAUTION: When installation is completed, replacement unit **MUST** have a rearward slope as shown. To achieve 1/4" slope, remove the backing from the 11-13/16" shim strips and attach them as shown below in Fig. 3. Place the higher portion of shim to the front of the rib on base of wall sleeve.



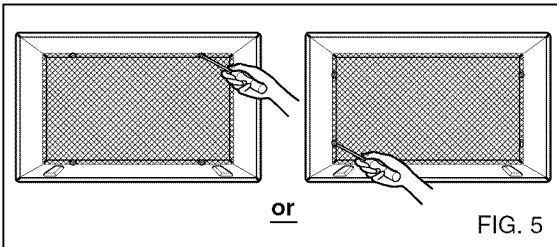
INSTALLATION

PROCEDURE A

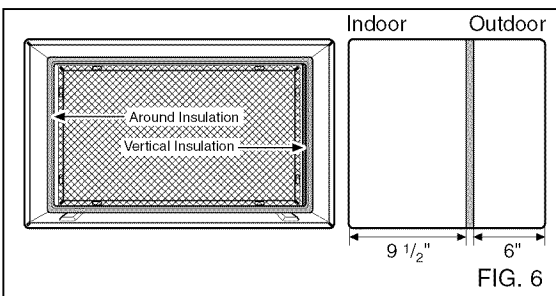
- 1** If you are using the new sleeve (optionally supplied with your unit), skip to step 3. Otherwise, install the plastic grille from the kit. Cut the plastic grille to 25-1/2" wide and 15-1/4" high. Place the plastic grille to the inside of the wall sleeve at the rear flange.



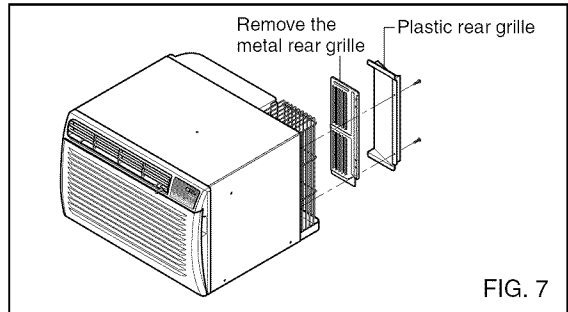
- 2** Fasten the 4 washer screws to secure the grille to the wall sleeve. If you need plastic nuts to mount plastic grille to the inside of the wall sleeve, there are plastic nuts in the installation kit. The nuts are installed from the inside of the sleeve and are pressing into the square holes of the rear flanges.



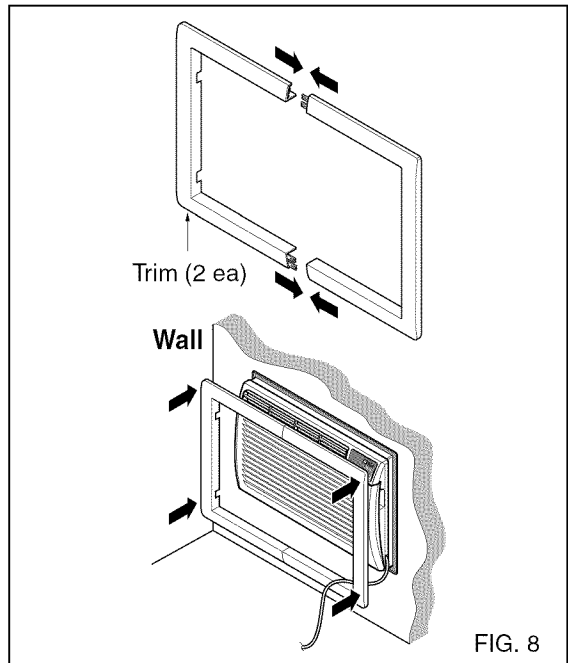
- 3** Remove the backing from the Vertical Insulation strip 15⁹/₁₆ x 1³/₈ x 1³/₈ and attach that to the inside right of the sleeve as shown below. Remove the backing from the Around Insulation strip 67¹/₈ x 1³/₈ x 2⁵/₃₂ and attach that to the inside front of the sleeve as shown below.



- 4** Remove the metal rear grille and replace it with the plastic rear grille.



- 5** Install the new unit into the wall sleeve.
- 6** To assemble trim, snap the tab of each piece into the slot of the other piece as shown below. Slide trim over the front of the air conditioner until trim is flush with sleeve as shown below.



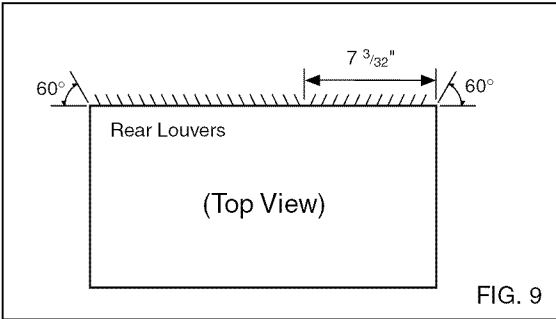
CAUTION

- Air conditioners covered in this manual pose an excessive weight hazard. Two or more people are needed to move and install the unit. To prevent injury or strain, use proper lifting and carrying techniques when moving unit.
- When handling the air conditioner, be careful to avoid cuts from sharp metal fins on front and rear coils.
- Make sure air conditioner does not fall during removal.
- If unit does not operate after installation check, to be sure the circuit interrupter has not been tripped. Refer to the Troubleshooting guide for reset procedure.

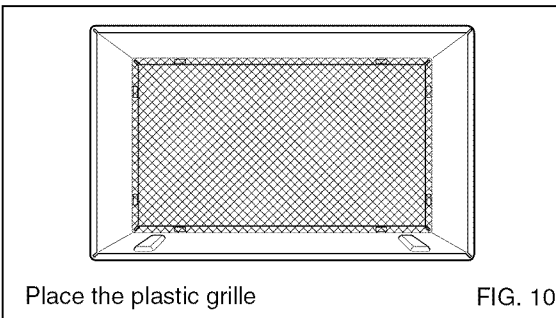
INSTALLATION

PROCEDURE B

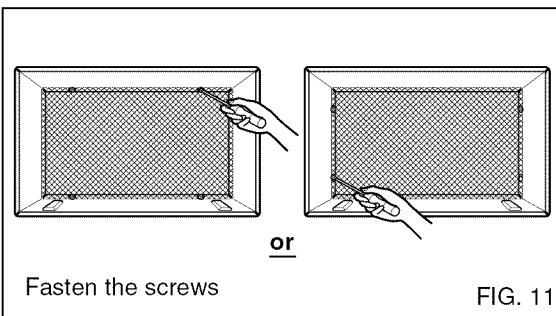
- 1** Redirect the louvers at the back of the wall sleeve to 60° angle as shown in the FIG 9. The use of pliers is recommended.



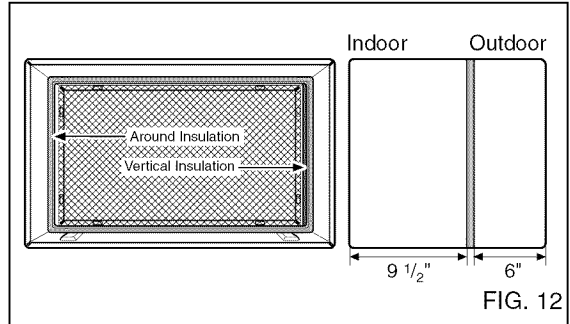
- 2** If the wall sleeve already has a rear grille, skip to step 4. If the wall sleeve does not have a rear grille or louvered panel, install the plastic grille from the kit. Cut the plastic grille to 25-1/2" wide and 15-1/4" high. Place the plastic grille to the inside of the wall sleeve at the rear flange.



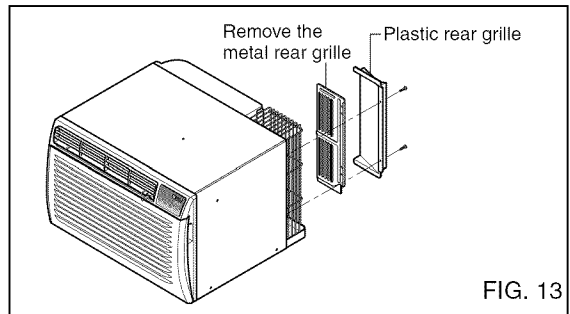
- 3** Fasten the 4 washer screws to secure the grille to the wall sleeve. If you need plastic nuts to mount plastic grille to the inside of the wall sleeve, there are plastic nuts in the installation kit. The nuts are installed from the inside of the sleeve and are pressed into the square holes of the rear flanges.



- 4** Remove the backing from the Vertical Insulation strip $15\frac{9}{16} \times 1\frac{3}{8} \times 1\frac{3}{8}$ and attach that to the inside right of the sleeve as shown below. Remove the backing from the Around Insulation strip $6\frac{7}{8} \times 1\frac{3}{8} \times 2\frac{5}{32}$ and attach that to the inside front of the sleeve as shown below.



- 5** Remove the metal rear grille and replace it with the plastic rear grille.



- 6** If the depth of your existing wall sleeve is less than or equal to 18", skip to step 8. Otherwise, cut the baffles and the support blocks according to length "A" in the table below.

Depth "D" of the existing wall sleeve (inches)	Length "A" (inches)
$18 < D \leq 18\text{-}\frac{5}{8}$	$\frac{3}{4}$
$18\text{-}\frac{5}{8} < D \leq 19\text{-}\frac{3}{4}$	$1\text{-}\frac{3}{4}$
$19\text{-}\frac{3}{4} < D \leq 22$	4

Support Block Baffle

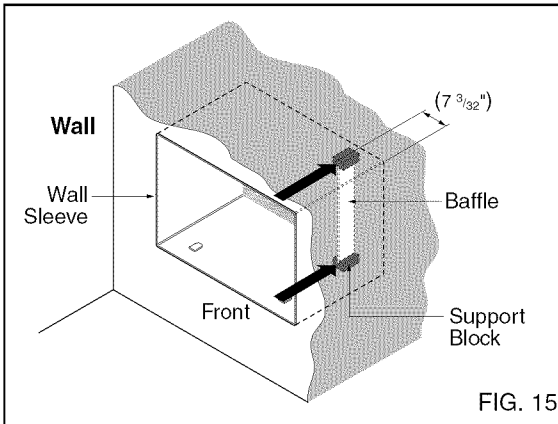
A

FIG. 14

INSTALLATION

PROCEDURE B

- 7 Remove the backing from the support blocks and attach them to the inside of the wall sleeve as shown FIG 15. Slide the baffle into slots of the support blocks.



- 8 Install the new unit into the wall sleeve.
- 9 Assemble trim as described in Step 6, Procedure A.

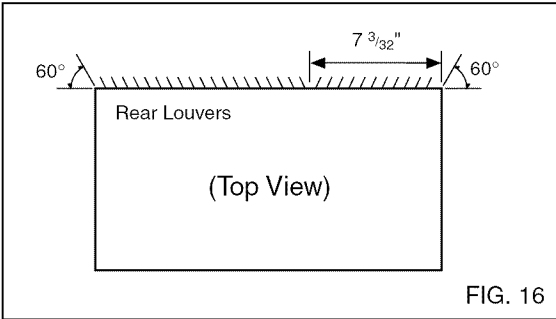
CAUTION

- Air conditioners covered in this manual pose an excessive weight hazard. Two or more people are needed to move and install the unit. To prevent injury or strain, use proper lifting and carrying techniques when moving unit.
- When handling the air conditioner, be careful to avoid cuts from sharp metal fins on front and rear coils.
- Make sure air conditioner does not fall during removal.
- If unit does not operate after installation check, to be sure the circuit interrupter has not been tripped. Refer to the Troubleshooting guide for reset procedure.

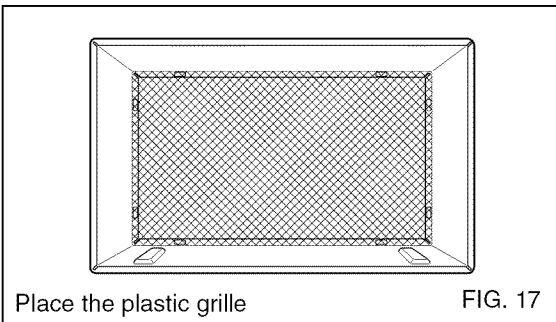
INSTALLATION

PROCEDURE C

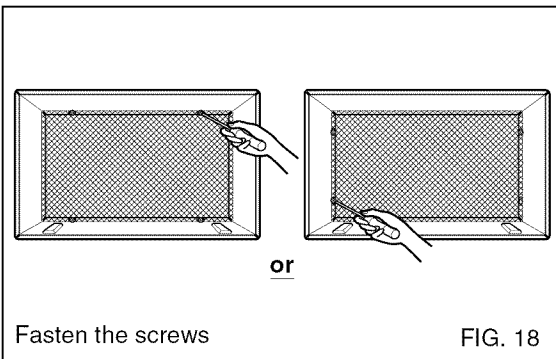
- 1 Redirect the louvers at the back of the wall sleeve to 60° angle as shown in the FIG 16. The use of pliers is recommended.



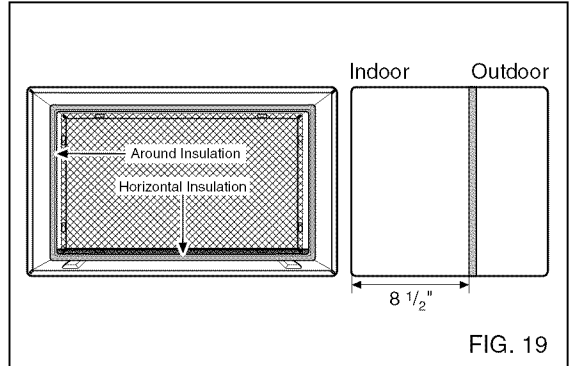
- 2 If the wall sleeve already has a rear grille, skip to step 4. If the wall sleeve does not have a rear grille or louvered panel, install the plastic grille from the kit. Cut the plastic grille to 26-1/2" wide and 15-1/2" high. Place the plastic grille to the inside of the wall sleeve at the rear flange.



- 3 Fasten the 4 washer screws to secure the grille to the wall sleeve. If you need plastic nuts to mount plastic grille to the inside of the wall sleeve, there are plastic nuts in the installation kit. The nuts are installed from the inside of the sleeve and are pressed into the square holes of the rear flanges.



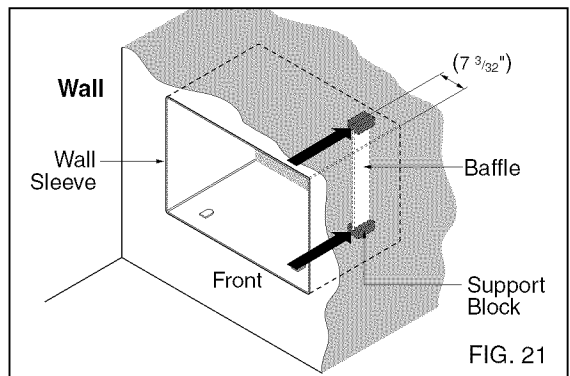
- 4 Remove the backing from the Horizontal Insulation strip $23\frac{7}{32} \times 1\frac{3}{8} \times 1\frac{3}{16}$ and attach that to the inside right of the sleeve as shown below. Remove the backing from the Around Insulation strip $59\frac{27}{32} \times 1\frac{3}{8} \times 1\frac{3}{8}$ and attach that to the inside front of the sleeve as shown below.



- 5 If the depth of your existing sleeve is less than or equal to 18", skip to step 7. Otherwise, cut the baffles and the support blocks according to Length "A" in the table below.

Depth "D" of the existing wall sleeve (inches)	Length "A" (inches)	FIG. 20
$18 < D \leq 18\text{-}\frac{5}{8}$	$\frac{3}{4}$	
$18\text{-}\frac{5}{8} < D \leq 19\text{-}\frac{3}{4}$	$1\text{-}\frac{3}{4}$	
$19\text{-}\frac{3}{4} < D \leq 22$	4	

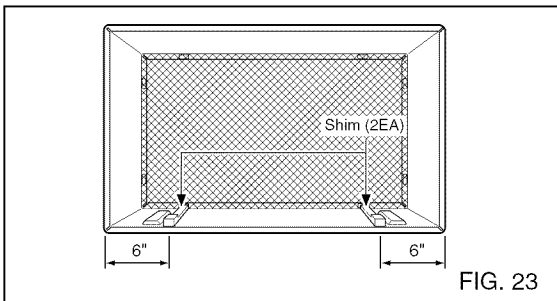
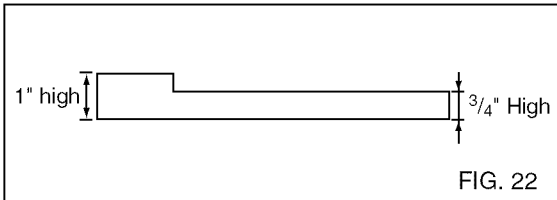
- 6 Remove the backing from the support blocks and attach them to the inside of the wall sleeve as shown FIG 21. Slide the baffle into slots of the support blocks



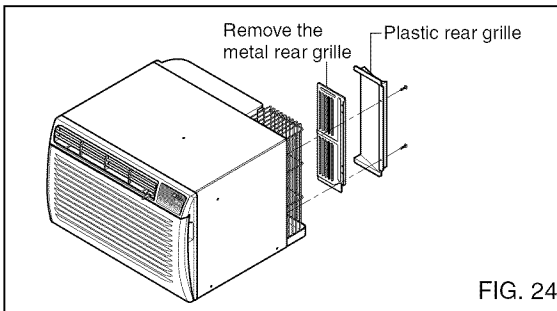
INSTALLATION

PROCEDURE C

- 7** To achieve rearward slope for unit draining, remove the backing from the $1\frac{13}{16}$ " shim strips and attach them as shown below in Fig. 23. The higher portion of shim is to be placed in front of the rib on the base of wall sleeve.



- 8** Remove the metal rear grille and replace it with the plastic rear grille.



- 9** Install the new unit into the wall sleeve

- 10** Assemble trim as described in Step 6, Procedure A.



CAUTION

- Air conditioners covered in this manual pose an excessive weight hazard. Two or more people are needed to move and install the unit. To prevent injury or strain, use proper lifting and carrying techniques when moving unit.
- When handling the air conditioner, be careful to avoid cuts from sharp metal fins on front and rear coils.
- Make sure air conditioner does not fall during removal.
- If unit does not operate after installation check, to be sure the circuit interrupter has not been tripped. Refer to the Troubleshooting guide for reset procedure.

OPERATION

HOW AND WHY

Your room air conditioner provides the following functions to make hot weather living more comfortable:

- Cools and circulates room air.
- Lowers humidity by removing excess moisture.
- Filters out summertime dust, dirt, and some airborne impurities.

The air conditioner performs these functions by drawing room air through a filter which traps dust and dirt particles. The air then passes over a cooling coil which refrigerates the air and removes excess moisture. The same air is then returned to the room—cooler, drier, and cleaner. Moisture removed from the room air is carried to the outside and evaporated.

Your air conditioner is designed to be easy to operate and to provide plenty of cooling power.

NORMAL SOUNDS FIG. 25

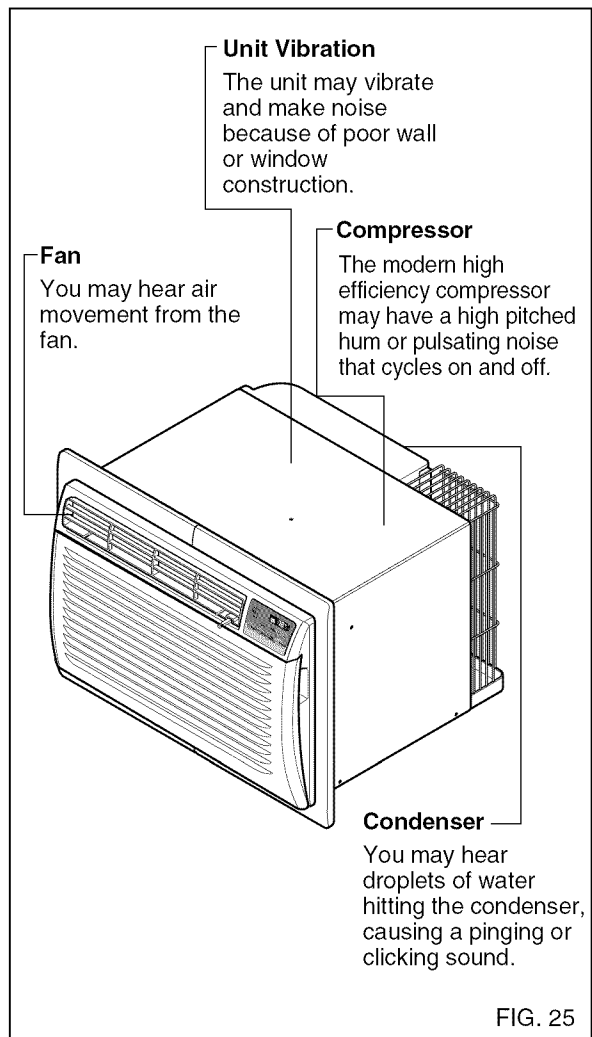
Aside from the regular fan motor and compressor sounds coming from your air conditioner, you will once in a while hear a pinging sound. This is the result of moisture being picked up from the air in the room and thrown against the air conditioner's fan. This is normal and should not be cause for concern. Also, do not be alarmed if you hear a slight hissing or gurgling sound coming from your air conditioner after it is off. These are normal coolant noises.

CAPACITY AND RUNNING TIME

Proper unit size is important in deciding the desired comfort for the area you want to cool. The proper size is determined by the number of square feet in the area to be cooled.

Whenever the heat or humidity load is above normal the air conditioner must run longer and more often to keep the desired temperature you have selected. Under heavy heat load conditions the air conditioner may need to run constantly to keep the temperature you want.

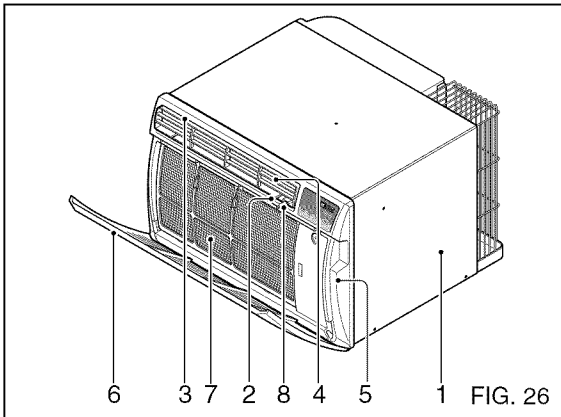
At times using the MED FAN setting to circulate the room air may make it comfortable even though you do not have the air conditioner set to cool the air. This will decrease your cost of use.



OPERATION

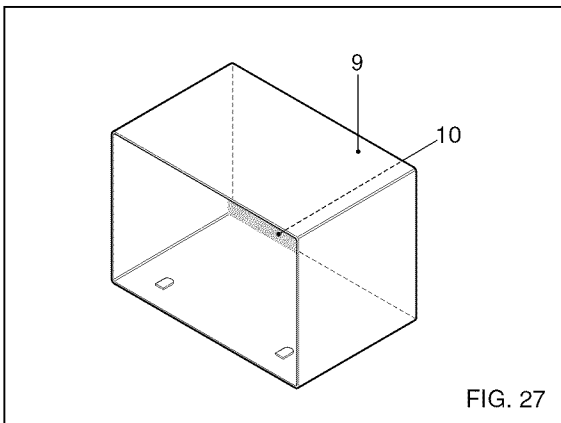
FEATURES

THE UNIT



1. CABINET
2. HORIZONTAL AIR DEFLECTOR
(Vertical Louver)
3. VERTICAL AIR DEFLECTOR
(Horizontal Louver)
4. AIR DISCHARGE
5. FRONT GRILLE
6. INLET GRILLE (Air Intake)
7. AIR FILTER
8. VENT CONTROL

THE SLEEVE AND THE REAR GRILLE



9. SLEEVE ASSEMBLY
(Including Aluminum Rear grille)
10. REAR GRILLE
(Aluminum Rear grille)

USING THE AIR CONDITIONER

⚠ WARNING To reduce the risk of fire, electric shock, or injury to persons, read the important SAFETY instructions section before operating this appliance.

To begin operating the air conditioner after installation, follow these steps:

1. Plug in the air conditioner. (To prevent electrical hazards, do not use an extension cord or an adapter plug.)
2. Set the TEMP control to the coolest setting.
3. Set the MODE control at the highest COOL level.
4. Adjust the louvers for comfortable air flow.
5. Once the room has cooled, adjust the TEMP and MODE control to the setting you find most comfortable.

NOTE : If the air conditioner is turned off, wait 3 minutes before restarting. This allows pressure inside the compressor to equalize. Failure to wait 3 minutes before restarting may cause inefficient operation.

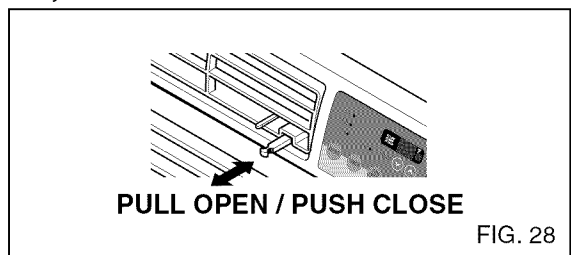
If you move the TEMP control to a warmer, then immediately back to a cooler setting, the unit will shut off. Wait 3 minutes before restarting.

Refer to the AIR CONDITIONER FEATURES section for other settings.

VENT CONTROL

The Vent Control allows the air conditioner to either recirculate inside air (CLOSE) or exhaust air to the outside (OPEN). (FIG. 28)

- The CLOSE position is used when maximum cooling is desired. It may also be used for air recirculation without cooling when the air conditioner is set in the FAN position.
- The OPEN position removes stale air from the room and exhausts it to the outside. Fresh air is drawn into the room through your home's normal air passages.
- The OPEN or CLOSE position can be used with any fan selection.

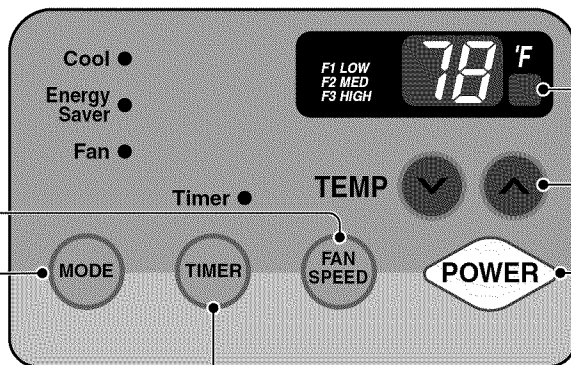


OPERATION

CONTROL PANEL

FAN SPEED

- Every time you push this button, it advances the setting as follows: {High → Low → Med → High}



REMOTE CONTROL SIGNAL RECEIVER

TEMPERATURE SETTING

- Use this button to automatically control the temperature of the room.
The temperature can be set within a range of 60°F to 86°F by increments of 1°F.
- The setting appears in the display.

POWER

- To turn the air conditioner ON, push this button.
To turn the air conditioner OFF, push the button again.
- This button takes priority over any other button.
- When you first turn it on, the unit is in cool mode, High fan speed, Temperature setting at 72°F.

TIMER

- SHUT-OFF TIME

- You will usually use shut-off time while you sleep.
- If unit is running, use Timer to set number of hours until shut-off.
- For your sleeping comfort, once Time is set, the Temperature setting will raise 2°F after 30 min., and once again after another 30 min.
- Push Timer button to advance setting from 1Hour → 2Hours → ... → 12Hours maximum.

- START TIME

- If unit is off, use Timer to set number of hours before unit starts.
- Push Timer button to advance setting from 1Hour → 2Hours → ... → 12Hours maximum.

MODE

- Push this button to shift mode of operation from COOL → ENERGY SAVER → FAN.

- COOL:

- Fan runs continually for normal cooling operation

- ENERGY SAVER:

- The fan stops when the compressor stops cooling. Approximately every 3 minutes the fan will turn on and the unit will check the room air temperature to determine if cooling is needed.

- FAN:

- Fan-only operation.

AUTO RESTART

When power is restored after an electrical power failure, the unit will begin to run at its last setting.

OPERATION

REMOTE CONTROL

NOTE: The Remote Control will not operate properly if strong light shines on the sensor window of the Air Conditioner or if there are obstacles between the Remote Control and the Air Conditioner. Every time you push button, you will hear a beep from the Air Conditioner.

POWER

- To turn the air conditioner ON, push this button.
To turn the air conditioner OFF, push the button again.
- This button takes priority over any other button.
- When you first turn it on, the unit is in cool mode, High fan speed, Temperature setting at 72°F.
- Auto Restart
In the event at a power failure, the unit will run at the previous setting once power returns.

TEMPERATURE SETTING

- Use this button to automatically control the temperature of the room.
The temperature can be set within a range of 60°F to 86°F by increments of 1°F.
- The setting appears in the display.

FAN SPEED

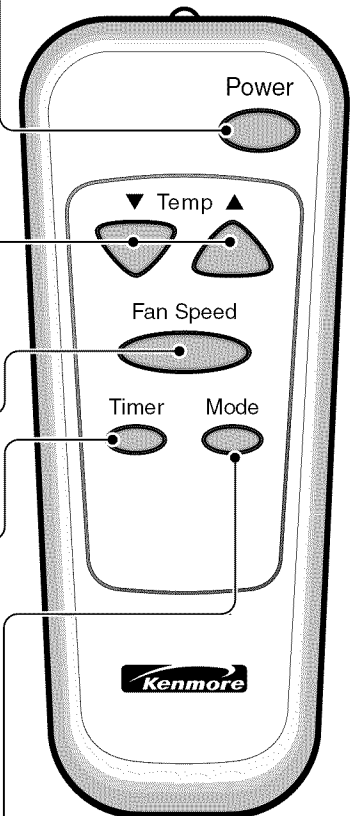
- Every time you push this button it advances the setting as follows:
(High → Low → Med → High)

TIMER

- SHUT-OFF TIME
 - You will usually use shut-off time while you sleep.
 - If unit is running, use Timer to set number of hours until shut-off.
 - For your sleeping comfort, once Time is set, the Temperature setting will raise 2°F after 30 min, and once again after another 30 min.
 - Push Timer button to advance setting from 1Hour → 2Hours → ... → 12Hours maximum.
- START TIME
 - If unit is off, use Timer to set of hours before unit starts.
 - Push Timer button to advance setting from 1Hour → 2Hours → ... → 12Hours maximum.

MODE

- Push this button to shift mode of operation from COOL → ENERGY SAVER → FAN.
- COOL:
 - Fan runs continually for normal cooling operation
- ENERGY SAVER:
 - The fan stops when the compressor stops cooling. Approximately every 3 minutes the fan will turn on and the unit will check the room air temperature to determine if cooling is needed.
- FAN:
 - Fan-only operation.



OPERATION

INSERTING THE REMOTE CONTROL BATTERIES

1. Remove the cover from the back of the remote controller.
2. Insert two batteries.
 - Be sure that the (+) and (-) directions are correct.
 - Be sure that both batteries are new.
3. Reattach cover.

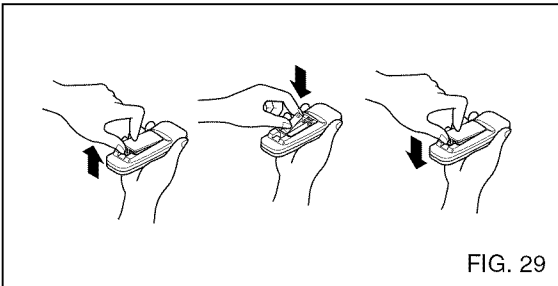


FIG. 29

- Do not use rechargeable batteries. Make sure that both batteries are new.
- In order to prevent discharge, remove the batteries from the remote control if the air conditioner is not going to be used for an extended period of time. Keep the remote control away from extremely hot or humid places. To maintain optimal operation of the remote control, the remote sensor should not be exposed to direct sunlight.
- The remote control can be mounted on a wall using the mountable holder.

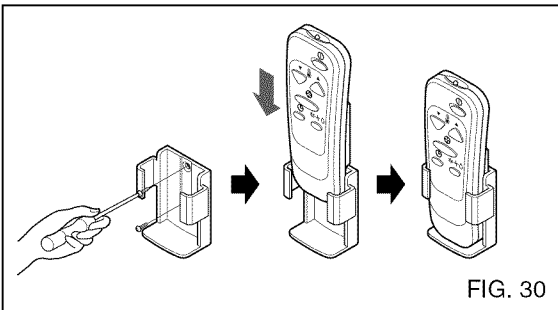


FIG. 30

HORIZONTAL AIR-DIRECTION ADJUSTMENT

- The horizontal air direction is adjusted by moving vertical louver.
- The vertical louver control levers are located in the right and left side of the air discharge.

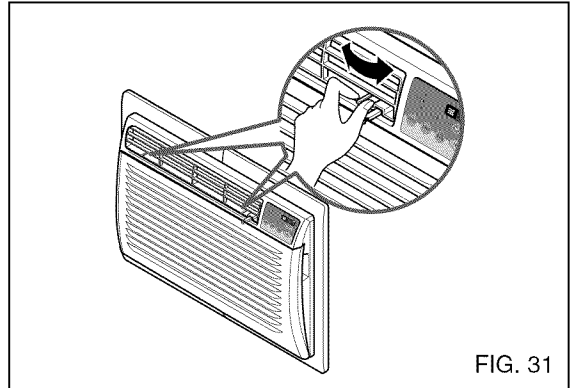


FIG. 31

VERTICAL AIR-DIRECTION ADJUSTMENT

- The vertical air direction is adjusted by moving the horizontal louvers.

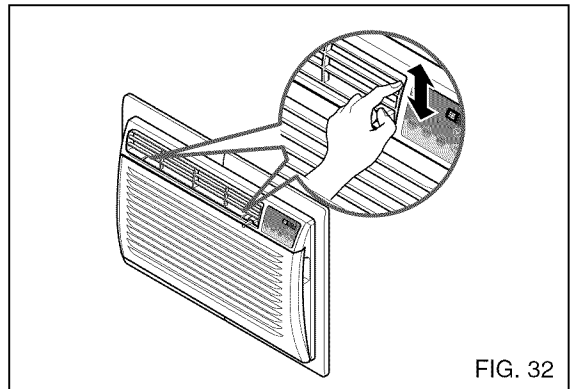


FIG. 32

MAINTENANCE

AIR FILTER CLEANING

The Air Filter will become dirty as it removes dust from the inside air. It should be washed at least every 2 weeks. If the Air Filter remains full of dust, the air flow will decrease and the cooling capacity will be reduced, possibly damaging the unit.

- Pull the inlet grille forward and pull out the air filter. (FIG. 33)
- Wash the Air Filter under the faucet with warm water. Be sure to shake off all the water before replacing the filter. (FIG. 34)

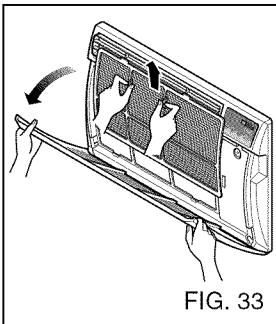


FIG. 33

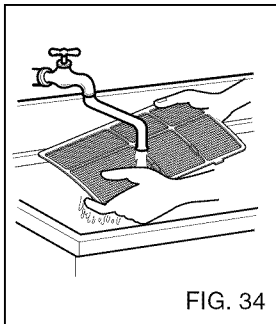


FIG. 34

AIR CONDITIONER CLEANING

Clean the front grille and inlet grille by wiping with a cloth dampened in a mild detergent solution.

The cabinet may be washed with mild soap or detergent and lukewarm water, then polished with liquid appliance wax.

To ensure continued peak efficiency, the condenser coils (outdoor side of the unit) should be checked periodically and cleaned if they become clogged with soot or dirt from the atmosphere. Brush or vacuum exterior coils to remove debris from fins.

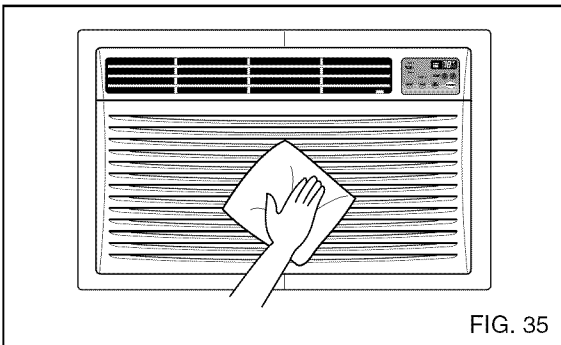


FIG. 35

HOW TO REMOVE THE FRONT GRILLE

- Open the inlet grille.
- Remove the screw securing the Front Grille.
- Push the grille up from the bottom and pull the top of the grille away from the case to lift the top tabs out of their slots.

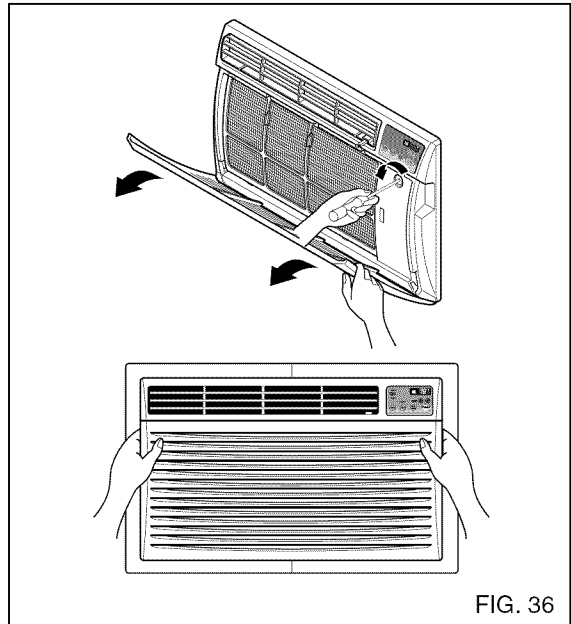


FIG. 36

HOW TO REPLACE THE FRONT GRILLE

Attach the front grille to the cabinet by inserting the tabs on the grille into the slots on the front of the cabinet. Push the grille in until it snaps into place.

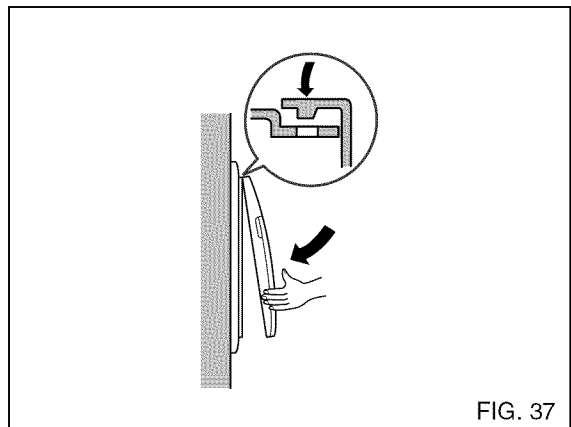


FIG. 37

TROUBLESHOOTING

BEFORE CALLING FOR SERVICE

Check the following list to be sure a service call is really necessary. A quick reference to this manual may help you avoid an unneeded service call.

THE AIR CONDITIONER WILL NOT OPERATE

Check if... Then...

The Current interrupter Device is tripped.	Press the RESET button located on the power cord plug. If the RESET button will not stay engaged, discontinue use of the air conditioner and contact a qualified service technician.
Wall plug disconnected.	Push plug firmly into wall outlet.
House fuse blown or circuit breaker tripped.	Replace fuse with time delay type or reset circuit breaker.
Power is OFF.	Push the power button.
Unit was turned off and then on too quickly.	Set unit off and wait 3 minutes before restarting.
TEMP Control set warmer than room temperature.	Set TEMP Control to a lower number.

AIR FROM UNIT DOES NOT FEEL COLD ENOUGH.

Check if... Then...

FAN SPEED set at LOW.	Push FAN SPEED button to set at HI.
TEMP Control set too warm.	Set TEMP Control to a lower temperature.
Room temperature below 70°F (21°C).	Cooling may not occur until room temperature rises above 70°F (21°C).
Temperature sensing tube touching evaporator coil, located behind front grille.	Straighten tube away from evaporator coil.

THE AIR CONDITIONER COOLING, BUT ROOM IS TOO WARM – ICE FORMING ON COOLING COIL BEHIND INLET GRILLE.

Check if... Then...

Outdoor temperature below 70°F (21°C).	To defrost the coil, set the MODE to FAN, FAN speed to High.
Air filter may be dirty.	Clean air filter. Refer to Maintenance section of owner's manual.
TEMP Control set too low.	To defrost the coil, set the MODE to Cool, Fan speed to high, and the Temp control to a higher temperature.

THE AIR CONDITIONER COOLING, BUT ROOM IS TOO WARM

Check if... Then...

Dirty air filter – air restricted.	Clean air filter. Refer to Maintenance section of owner's manual.
TEMP Control set too warm.	Set TEMP Control to a lower temperature.
Front of unit is blocked by drapes, blinds, furniture, etc. Air distribution is restricted.	Clear blockage in front of unit.
Doors, windows, registers, etc. open. Cold air escapes.	Close doors, windows, registers, etc.
Unit recently turned on in hot room.	Allow additional time to remove stored heat from walls, ceiling, floor, and furniture.

THE AIR CONDITIONER TURNS ON AND OFF RAPIDLY.

Check if... Then...

Outside temperature is extremely hot.	Set FAN SPEED on HI to minimize the cooling load.
Unit is set to energy saver mode.	Approximately every 3 minutes the fan will turn on and the unit will check the room air temperature to determine if cooling is needed. This is normal energy saver mode operation.

NOISE WHEN UNIT IS COOLING.

Check if... Then...

Sound of fan hitting water – from the moisture removal system.	This is normal when humidity is high. Close doors, windows, and registers.
Window vibration – poor installation.	Refer to installation instructions or check with installer.

WATER DRIPPING INSIDE ROOM WHEN UNIT IS COOLING.

Check if... Then...

The air conditioner is improperly installed.	Tilt air conditioner slightly to the outside to allow water drainage. Refer to installation instructions or check with installer.
----------------------------------------------	-----------------------------------------------------------------------------------------------------------------------------------

WATER DRIPPING OUTSIDE WHEN UNIT IS COOLING.

Check if... Then...

The unit is removing large quantities of moisture from humid room.	This is normal during excessively humid days.
--------------------------------------------------------------------	-----------------------------------------------

CONTENIDO

CONTENIDO	20	Características	31
GARANTÍA	20	Uso del aire acondicionado.....	31
SEGURIDAD	21	Panel de control	32
Instrucciones importantes de seguridad	21	Mando a distancia.....	33
REQUISITOS ELECTRICOS	22	MANTENIMIENTO	35
INSTALACIÓN	23	Limpieza del filtro de aire	35
Requisitos de instalación	23	Limpieza del aire acondicionado.....	35
Instalación	24	Cómo desmontar la rejilla frontal	35
Procedimiento A.....	25	Cómo sustituir la rejilla frontal	35
Procedimiento B.....	26	SOLUCIÓN DE AVERÍAS	36
Procedimiento C.....	28	Antes de solicitar el servicio de reparación	36
FUNCIONAMIENTO	30	ACUERDOS PRINCIPALES DE PROTECCIÓN	39
Cómo y por qué.....	30	NÚMEROS DE SERVICIO	Cubierta trasera
Ruidos normales	30		
Capacidad y tiempo de ejecución	30		

GARANTÍA

GARANTÍA COMPLETA DE UN AÑO EN EL AIRE ACONDICIONADO A TRAVÉS DE PARED

Durante un año a partir de la fecha de compra, cuando este aire acondicionado funcione y se mantenga para el enfriamiento normal según las instrucciones en el manual del propietario, Sears reparará este aire acondicionado, gratuitamente, si existen defectos en el material o la mano de obra.

GARANTÍA COMPLETA DE CINCO AÑOS EN EL SISTEMA SELLADO DE REFRIGERACIÓN

Durante cinco años a partir de la fecha de compra, cuando este aire acondicionado funcione y se mantenga para el enfriamiento normal según las instrucciones en el manual del propietario, Sears reparará el sistema de sellado refrigeración (que consiste en refrigerante, tuberías de conexión, y compresor), gratuitamente, si existen defectos en el material o la mano de obra.

EL SERVICIO DE GARANTÍA ESTÁ DISPONIBLE ENTRANDO EN CONTACTO CON EL SERVICIO DE SEARS EN EL 1-800-4-MY-HOME®.

La cobertura de la garantía se aplica únicamente a los aires acondicionados utilizados con propósitos no comerciales, domésticos privados.

Esta garantía se aplica únicamente mientras este producto se encuentre en uso en los Estados Unidos.

Esta garantía le da derechos legales específicos, y también puede tener otros derechos que varíen de estado a estado.

Distributed by Sears, Roebuck and Co., Hoffman Estates, IL 60179

SEGURIDAD

INSTRUCCIONES IMPORTANTES DE SEGURIDAD

Las instrucciones de seguridad a continuación le informarán cómo utilizar su aire acondicionado para evitar lesiones a usted mismo o daños a su AIRE ACONDICIONADO.

⚠ ADVERTENCIA PARA SU SEGURIDAD

No almacene ni utilice gasolina u otros vapores y líquidos inflamables en las cercanías de este o cualquier otro electrodoméstico. Lea las etiquetas del producto para conocer las advertencias de inflamabilidad y otras.

⚠ ADVERTENCIA PREVENIR ACCIDENTES

Para reducir el riesgo de fuego, descargas eléctricas, o lesiones a personas al utilizar su aire acondicionado, respete las precauciones básicas, incluyendo las siguientes:

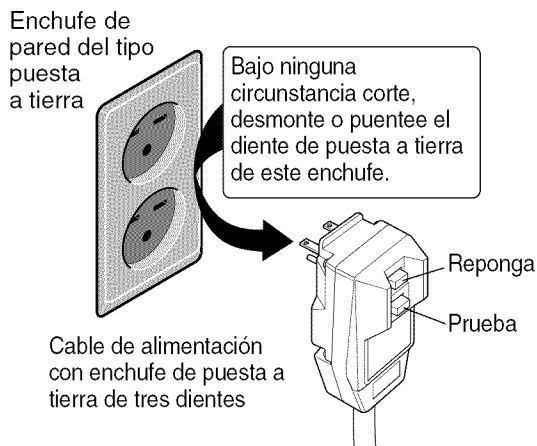
- Asegúrese de que el servicio eléctrico es adecuado para el modelo que usted ha elegido.
- Si va a instalar el aire acondicionado en una ventana, usted probablemente deseará limpiar ambos lados del cristal primero. Si la ventana es del tipo de tres guías con panel de pantalla incluido, usted puede desear quitar totalmente la pantalla antes de la instalación.
- Asegúrese de que el aire acondicionado se ha estado instalado segura y correctamente según las instrucciones de este manual. Guarde este manual e instrucciones de instalación para futuras consultas de desmontaje o reinstalación de esta unidad.
- Utilice guantes para manipular el aire acondicionado. Tenga cuidado de evitar cortes de los bordes afilados de metal en las bobinas frontal y trasera.

⚠ ADVERTENCIA INFORMACIÓN ELECTRICA

El régimen eléctrico completo de su nuevo aire acondicionado está indicado en la placa serie. Consulte el régimen al comprobar los requisitos eléctricos.

- Asegúrese de que el aire acondicionado está correctamente puesto a tierra. Para reducir al mínimo el riesgo de descargas e incendios, la puesta a tierra correcta es muy importante. El cable de alimentación está equipado con un enchufe de puesta a tierra de tres dientes para su protección contra descargas eléctricas.
- Su aire acondicionado debe estar enchufado a un enchufe de pared correctamente puesto a tierra. Si el enchufe de pared que planea utilizar no está adecuadamente puesto a tierra o protegido por un fusible de retardo o un interruptor, llame a un electricista cualificado para instalar el enchufe apropiado.
- No ponga en funcionamiento el aire acondicionado con la hoja de embalaje adherida a la parte posterior del soporte de pared, y la esquina de embalaje y cinta azul del aire acondicionado. Esto podría causar daños mecánicos dentro del aire acondicionado.
- **No utilice un cable alargador o un enchufe adaptable.**

⚠ ADVERTENCIA Evite el riesgo de incendios o descargas eléctricas. No utilice un cable alargador o un enchufe adaptable. No quite ningún diente del cable de alimentación.



IDEAS PARA EL AHORRO DE ENERGÍA

- La capacidad del aire acondicionado debe llenar el tamaño de la habitación para lograr un funcionamiento eficiente y satisfactorio.
- Instale el aire acondicionado en un lugar sombreado de su hogar. Lo mejor es una ventana al norte porque estará sombreada la mayor parte del día.
- No bloquee el flujo de aire interior con persianas, cortinas o muebles; o el exterior con arbustos, cerramientos u otras edificaciones.
- Cierre los registros de suelo y pared y el regulador de tiro de la chimenea para que el aire frío no se escape por la chimenea y hacia los conductos.
- Mantenga cerradas las persianas y cortinas en otras ventanas durante las horas más soleadas del día.
- Limpie el filtro de aire según lo recomendado en la sección MANTENIMIENTO de este manual.
- El aislamiento apropiado y el encintado en las ventanas de su hogar mantendrá el aire caliente fuera y el aire frío dentro.
- Las cubiertas externas de la casa que den sombra junto con árboles, plantas o toldos ayudarán a reducir la carga de trabajo del aire acondicionado.
- Utilice los electrodomésticos que produzcan calor como estufas, lavadoras, secadoras y lavaplatos durante las horas más frías del día.

REQUISITOS ELECTRICOS

RESPETE TODOS LOS CÓDIGOS Y REGLAMENTOS.

BAJO NINGUNA CIRCUNSTANCIA CORTE, quite o evite el uso de la conexión a tierra de esta clavija.

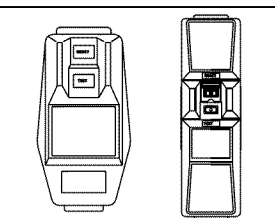
LA TOMA A TIERRA ES NECESARIA EN ESTE ELECTRODOMÉSTICO.

Es necesaria una fuente de alimentación eléctrica de 208/230 voltios, 60 Hz y 115-voltios, 60 Hz, sólo AC, con fusible de 15 A y correctamente puesta a tierra. Se recomienda el uso de un fusible o interruptor de retardo. Utilice un circuito dedicado, únicamente para este electrodoméstico.



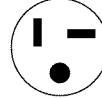
NO USE CABLE ELÉCTRICO DE EXTENSIÓN.

MÉTODO RECOMENDADO DE CONEXIÓN A TIERRA

Por su propia seguridad este aparato debe conectarse a tierra. Este aparato viene equipado con un cable de alimentación y una clavija de tres terminales. Para reducir al máximo el peligro de choque eléctrico, el cable debe estar conectado a una conexión de pared con conexión a tierra, y esta conexión debe hacerse de acuerdo con la última edición del Código Eléctrico Nacional (ANSI/NFPA 70), así como con los códigos y reglamentos locales. Si no existe una conexión de pared adecuada, el cliente tiene la responsabilidad y la obligación de mandar instalar, con un electricista calificado, una conexión de pared adecuada de tres terminales con conexión a tierra.

115V~	230V~	
		El cable de alimentación puede incluir un dispositivo interruptor de corriente. La carcasa del enchufe cuenta con un botón de prueba y otro de reinicio. El dispositivo debe comprobarse periódicamente presionando primero el botón TEST y después RESET. Si el botón TEST no se desconecta o si el botón RESET no permanece activo, suspenda el uso del aire acondicionado y póngase en contacto con un técnico de servicio cualificado.

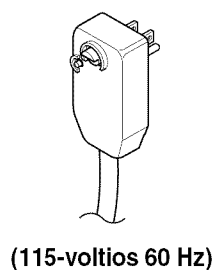
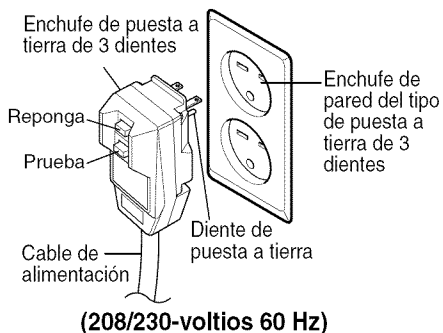
NOTA: La forma puede ser diferente según su modelo.

Utilice el enchufe de la pared	Consumo de Energía
 Standard 125V, enchufe de 3 Líneas de 15A, 125V AC	Utilice un fusible de 15AMP. o un Interruptor de 15AMP.
 Standard 250V, enchufe de 3 Líneas de 15A, 250V AC	
 Standard 250V, enchufe de 3 Líneas de 20A, 250V AC	Utilice un fusible de 20AMP. o un Interruptor de 20AMP.

⚠ ADVERTENCIA



Peligro de choque eléctrico
 Conecte en una conexión de pared de 3 terminales
 No quite la terminal de conexión a tierra
 No use adaptadores
 No use cable eléctrico de extensión
 Si no se siguen estas instrucciones, puede ocasionarse la muerte, un incendio o un choque eléctrico.



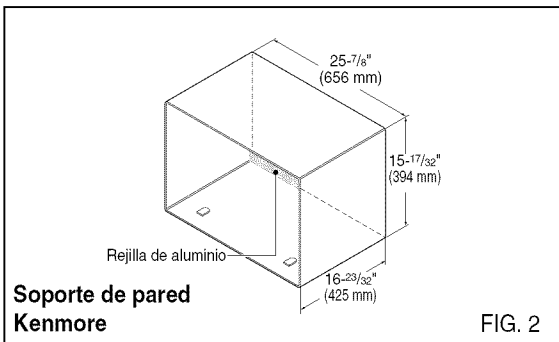
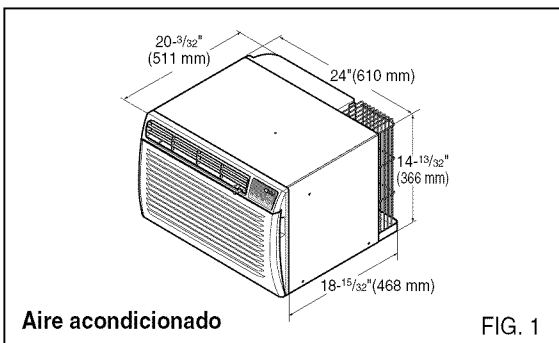
INSTALACIÓN

Retire los materiales de embalaje del soporte de pared de pared y la cinta del aire acondicionado.

REQUISITOS DE INSTALACIÓN

Si utiliza un soporte de pared de pared ya existente, deberá medir sus dimensiones. Instale el nuevo aire acondicionado según estas instrucciones de instalación para lograr el mejor funcionamiento. Todos los soporte de pared de pared utilizados para montar el nuevo aire acondicionado deben estar en buenas condiciones estructurales y contar con una rejilla trasera para conectar el nuevo aire acondicionado de forma segura. (FIG. 1)

Con el soporte de pared Kenmore, podrá mantener el mejor rendimiento del nuevo aire acondicionado. (FIG. 2)

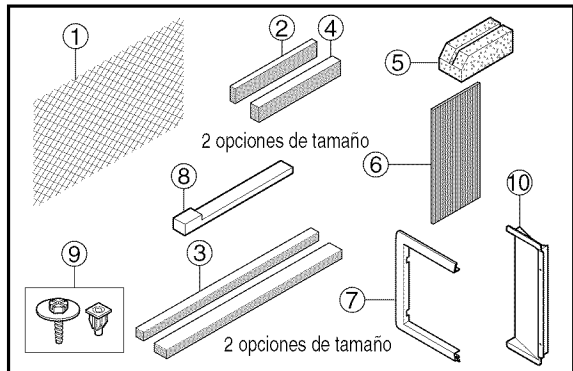


SERVICIO ELECTRICO

Compruebe su servicio eléctrico disponible. La fuente de alimentación disponible debe ser igual que la que se muestra en la placa de identificación de la unidad (encontrada en el lado izquierdo de la carcasa).

Todos los modelos están equipados con un enchufe de tres dientes para proporcionar el servicio apropiado y poner a tierra el positivo de forma segura. No cambie el enchufe de ninguna manera. No utilice un enchufe adaptador. Si su enchufe de pared actual no admite su enchufe, llame a un electricista cualificado para realizar las correcciones necesarias. GUARDE LA CAJA DE CARTÓN para el almacenamiento y este MANUAL DEL PROPIETARIO para futuras referencias. El cartón es la mejor manera de almacenar la unidad durante el invierno o cuando no esté en uso.

HARDWARE DE INSTALACIÓN



ARTÍCULO	NOMBRE DE LAS PIEZAS	Q'TY
①	REJILLA DE PLÁSTICO	1
②	TIRA VERTICAL DE AISLAMIENTO	1
③	TIRAS ENVOLVENTES DE AISLAMIENTO	2
④	TIRA HORIZONTAL DE AISLAMIENTO	1
⑤	BLOQUE DE APOYO	2
⑥	COMPUERTA	1
⑦	MARCO DE AJUSTE	2
⑧	CUÑA	2
⑨	TUERCAS DE PLÁSTICO Y TORNILLOS DE ARANDELA	4
⑩	REJILLA POSTERIOR	1

⚠ PRECAUCIÓN

Para evitar riesgos de daños corporales, materiales, o daños al producto debidos al peso de este dispositivo y a los bordes afilados que pueden estar expuestos:

- Los aires acondicionados tratados en este manual representan un peligro por peso excesivo. Son necesarias dos o más personas para desplazar e instalar la unidad. Para evitar lesiones o grandes esfuerzos, utilice las técnicas de elevación y desplazamiento para mover la unidad.
- Examine cuidadosamente la ubicación donde el aire acondicionado vaya a ser instalado. Asegúrese de que aguantará el peso de la unidad a lo largo de un extenso período de tiempo.
- Manipule con cuidado el aire acondicionado. Utilice los guantes protectores siempre que levante o desplace la unidad. EVITE las aristas afiladas de metal de las bobinas frontal y posterior.
- Asegúrese de que el aire acondicionado no se caiga durante la instalación.

HERRAMIENTAS NECESARIAS:

- Guantes ceñidos adecuados
- Destornillador estándar
- Destornillador de estrella
- Alicates
- Cuchillo afilado
- Llave inglesa abierta o ajustable de 3/8-pulgadas
- Enchufe y carrete de tuerca hexagonal de 1/4- pulgadas
- Cinta métrica
- Taladro eléctrico
- Boca de taladro de 1/4-pulgadas

INSTALACIÓN

INSTALACIÓN

⚠ PRECAUCIÓN

Recomendamos encarecidamente que desmonte el viejo soporte de pared y la instalación de un nuevo soporte de pared Kenmore.

Si decide mantener el soporte de pared existente, tendrá que redireccionar las rejillas de ventilación en la parte posterior de la ilustración del soporte de pared. Recomendamos el uso de alicates. Si NO las redirecciona, corre el riesgo de un rendimiento pobre o de averías en el producto.

Estas no están cubiertas bajo los términos de garantía de Kenmore.

- Escoja una ubicación que permita al aire acondicionado soplar hacia el área que desee. Una buena instalación, prestando especial atención a la posición correcta de la unidad reducirá la necesidad de reparaciones.

ARTÍCULOS EN EL HARDWARE DE INSTALACIÓN

Usted puede no necesitar todas las piezas del conjunto. Descarte las piezas que no utilice

ARTÍCULO (pulgadas)		Cant.
Rejilla plástica	26 ³ / ₄ x 16 ¹ / ₂	1
Tira vertical de aislamiento	15 ⁹ / ₁₆ x 1 ³ / ₈ x 1 ³ / ₈	1
Tiras de aislamiento envolventes	67 ¹ / ₈ x 1 ³ / ₈ x 2 ⁵ / ₃₂	1
	59 ²⁷ / ₃₂ x 1 ³ / ₈ x 1 ³ / ₈	1
Tira horizontal de aislamiento	23 ⁷ / ₃₂ x 1 ³ / ₈ x 1 ³ / ₁₆	1
Bloque de apoyo	1 ³ / ₄ x 1 ³ / ₈ x 4 ⁵ / ₁₆	2
Compuerta	14 x 4 ¹ / ₂ x 1 ¹ / ₈	1
Cuña	11 ¹³ / ₁₆ x 1 x 3 ¹ / ₄	2
Marco de ajuste		2
Tornillos de arandela		4
Tuercas (Plástico)		4
Rejilla posterior		1

CÓMO INSTALAR

- 1 Identifique el soporte de pared existente antes de instalar la unidad según la lista.

Marca	Dimensiones del soporte de pared (pulgadas)		
	Ancho	Altura	Profundidad
White-Westinghouse Frigidaire Carrier (Serie 52F)	25-1/2	15-1/4	16, 17-1/2 ó 22
General Electric /Hotpoint	26	15-5/8	16-7/8
Whirlpool	25-7/8	16-1/2	17-1/8 ó 23
Fedders/Emerson	27	16-3/4	16-3/4 ó 19-3/4
Sears/Kenmore	25-7/8	15-17/32	16-23/32
Emerson/Fedders	26-3/4	15-3/4	15
Carrier (Serie 51S)	25-3/4	16-7/8	18-5/8
Friedrich	27	16-3/4	16-3/4

NOTA: Todos los soporte de pared utilizados para montar el nuevo aire acondicionado deben estar en condiciones estructurales sanas y tener una rejilla posterior que se acople con seguridad al soporte de pared, o una pestaña posterior que sirva como freno para el aire acondicionado.

- 2 Desmonte el antiguo aire acondicionado del soporte de pared existente.
- 3 Limpie el interior del soporte de pared existente. (No toque el sellado.)
- 4 El soporte de pared se estar firmemente sujeto a la pared antes de instalar el aire acondicionado. Utilice los clavos o tornillos a través del soporte de pared, si fuera necesario. Vuelva a pintar el soporte de pared si fuera necesario.
- 5 Prepare el soporte de pared para la instalación de la unidad. Si usted piensa utilizar el soporte de pared existente, y no es Kenmore, utilice el procedimiento B ó C a continuación.

Procedimiento	Marca	Profundidad (pulgadas)
A	Sears/Kenmore	16-23/32
B	White-Westinghouse Frigidaire Carrier Carrier (Serie 52F)	16, 17-1/2 ó 22
	General Electric /Hotpoint	16-7/8
	Whirlpool Carrier (Serie 51S)	17-1/8 ó 23 18-5/8
C	Fedders/Emerson	16-3/4 ó 19-3/4
	Emerson/Fedders	15
	Friedrich	16-3/4

- 6 Instale la nueva unidad en el soporte de pared.

PRECAUCIÓN: Al finalizar la instalación, la unidad de sustitución DEBE tener una pendiente hacia atrás según se ilustra. Para lograr una pendiente de 1/4", retire el envoltorio de las cuñas de 11-13/16" y acóplelas según se muestra a continuación en la FIG. 3. Coloque el extremo más alto de la cuña en la parte frontal de la base del soporte de pared.

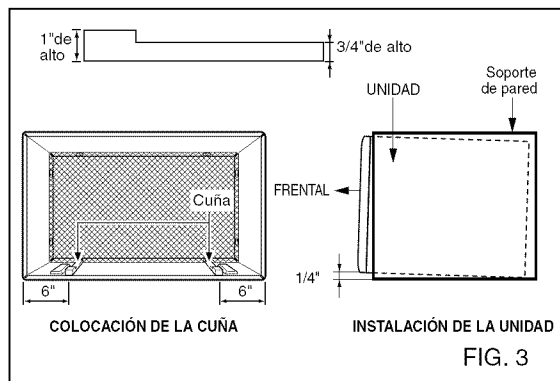
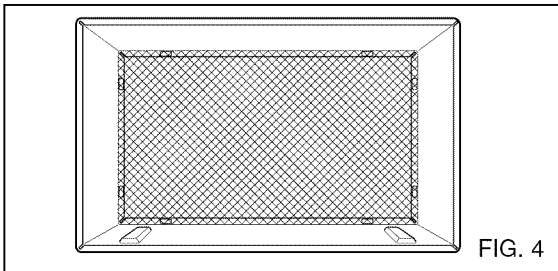


FIG. 3

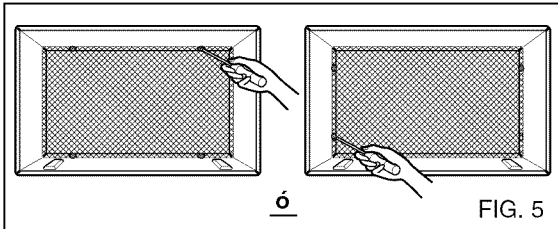
INSTALACIÓN

PROCEDIMIENTO A

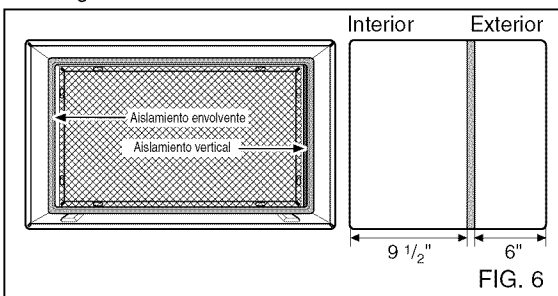
- 1** Si está utilizando un nuevo soporte de pared (incluido opcionalmente con su unidad), salte al paso 3. Si no es así, instale la rejilla plástica. Corte la rejilla plástica a 25-1/2" de ancho y 15-1/4" de alto. Coloque la rejilla plástica en el interior del soporte de pared en la pestaña posterior.



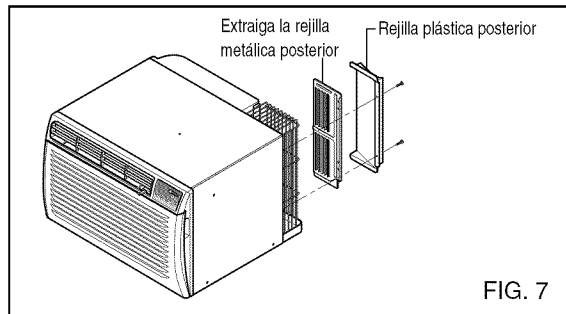
- 2** Apriete los 4 tornillos de la arandela para asegurar la rejilla al soporte de pared. Si necesita tuercas plásticas para montar la rejilla plástica en el interior del soporte de pared, encontrará tuercas plásticas en el equipo de instalación. Las tuercas están instaladas en el interior del soporte de pared y están presionando las perforaciones rectangulares de las pestañas posteriores.



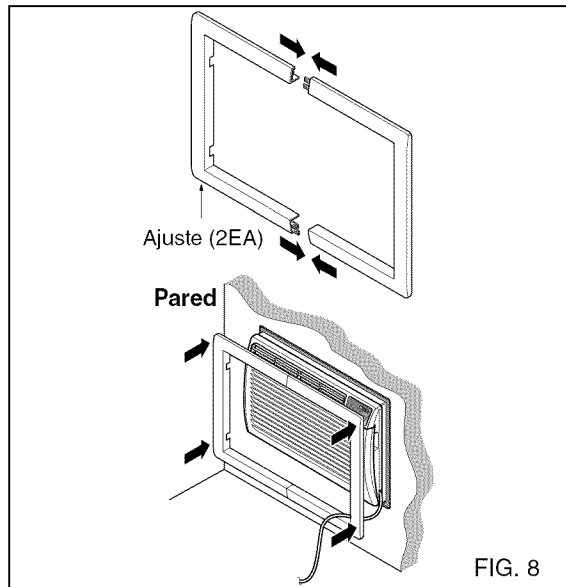
- 3** Retire el envoltorio de la tira vertical de aislamiento 15-9/16 x 1-3/8 x 1-3/8 y únala a la parte interior derecha del soporte de pared según se muestra a continuación. Retire el envoltorio de la tira de aislamiento envolvente de 67-1/8 x 1-3/8 x 25/32 y únala a la parte frontal interior del soporte de pared según se muestra a continuación.



- 4** Extraiga la rejilla de metal posterior y sustitúyala por la rejilla plástica posterior.



- 5** Instale la nueva unidad en el soporte de pared.
- 6** Para el montaje, encaje la lengüeta de cada pieza en la ranura de la otra pieza según se muestra a continuación. Deslice la pieza sobre la parte frontal del aire acondicionado hasta que el ajuste sea rasante con el soporte de pared según se muestra a continuación.



⚠ PRECAUCIÓN

- Los aires acondicionados tratados en este manual representan un peligro por peso excesivo. Son necesarias dos o más personas para desplazar e instalar la unidad. Para evitar lesiones o esfuerzos excesivos, utilice las técnicas de levantamiento y desplazamiento apropiadas al mover la unidad.
- Manipule con cuidado el aire acondicionado, tenga cuidado de evitar cortes de las aristas afiladas de metal de las bobinas frontal y posterior.
- Asegúrese de que el aire acondicionado no se caiga al desmontarlo.
- Si la unidad no funciona tras la revisión de instalación, asegúrese que el interruptor del circuito no se ha disparado. Consulte la guía de solución de averías para conocer el procedimiento de reinicio.

INSTALACIÓN

PROCEDIMIENTO B

- 1** Redireccione las rejillas de ventilación en la parte posterior del soporte de pared a un ángulo de 60° según muestra la FIG. 9. Recomendamos el uso de alicates.

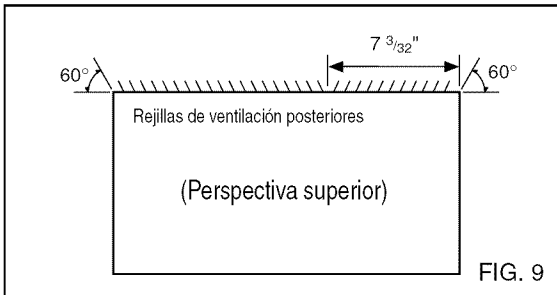
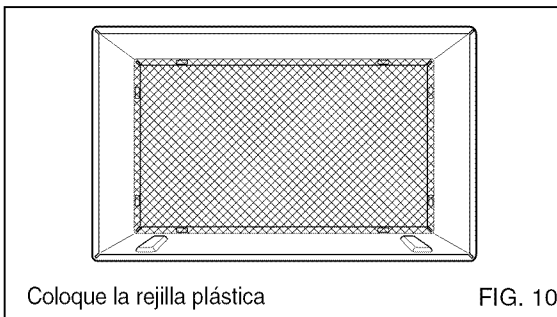


FIG. 9

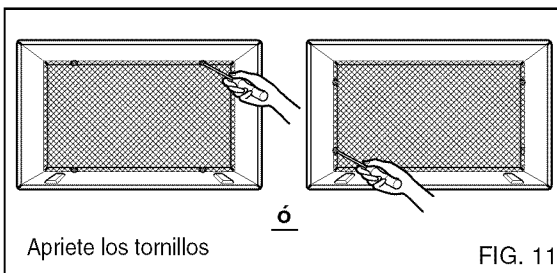
- 2** Si el soporte de pared ya cuenta con una rejilla posterior, salte al paso 4. Si el soporte de pared no tiene una rejilla posterior o un panel en rejilla, instale la rejilla plástica del conjunto. Corte la rejilla plástica a 25-1/2" de ancho y 15-1/4" de alto. Coloque la rejilla plástica en la parte interior del soporte de pared en la pestaña posterior.



Coloque la rejilla plástica

FIG. 10

- 3** Apriete los 4 tornillos de la arandela para asegurar la rejilla al soporte de pared. Si necesita tuercas plásticas para montar la rejilla plástica en el interior del soporte de pared, encontrará tuercas plásticas en el equipo de instalación. Las tuercas están instaladas en el interior del soporte de pared y están presionando las perforaciones cuadradas de las pestañas posteriores.



Apriete los tornillos

FIG. 11

- 4** Retire el envoltorio de la tira vertical de aislamiento 15-9/16 x 1-3/8 x 1-3/8 y únala a la parte interior derecha del soporte de pared según se muestra a continuación. Retire el envoltorio de la tira de aislamiento envolvente de 67-1/8 x 1-3/8 x 25/32 y únala a la parte frontal interior del soporte de pared según se muestra a continuación.

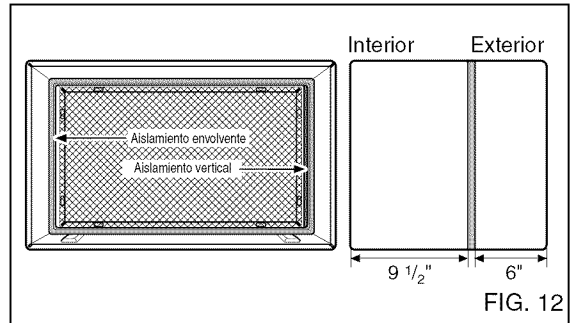


FIG. 12

- 5** Extraiga la rejilla de metal posterior y sustitúyala por la rejilla plástica posterior.

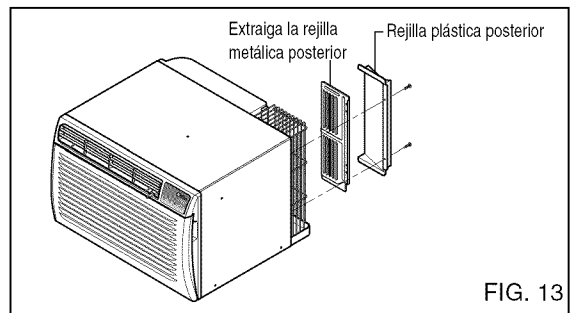


FIG. 13

- 6** Si la profundidad de su soporte de pared es menor o igual a 18", salte al paso 8. Si no, corte las compuertas y los bloques de soporte según la longitud "A" en la tabla a continuación.

Profundidad "D" del soporte de pared existente (pulgadas)	Longitud "A" (pulgadas)
18 < D ≤ 18-5/8	3/4
18-5/8 < D ≤ 19-3/4	1-3/4
19-3/4 < D ≤ 22	4

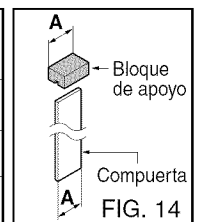
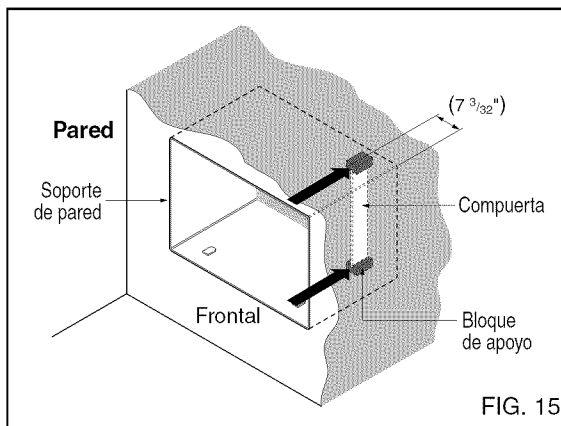


FIG. 14

INSTALACIÓN

PROCEDIMIENTO B

- 7** Retire el envoltorio de los bloques de apoyo y acóplelos al interior del soporte de pared como muestra la FIG. 15. Deslice la compuerta en las ranuras de los bloques de apoyo.



- 8** Instale la nueva unidad en el soporte de pared.
- 9** Ajuste la posición según describe el paso 6, procedimiento A.

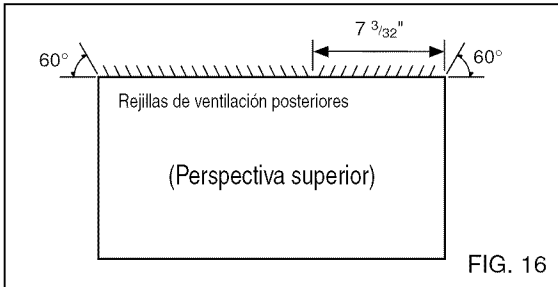
PRECAUCIÓN

- Los aires acondicionados tratados en este manual representan un peligro por peso excesivo. Son necesarias dos o más personas para desplazar e instalar la unidad. Para evitar lesiones o esfuerzos excesivos, utilice las técnicas de levantamiento y desplazamiento apropiadas al mover la unidad.
- Manipule con cuidado el aire acondicionado, tenga cuidado de evitar cortes de las aristas afiladas de metal de las bobinas frontal y posterior.
- Asegúrese de que el aire acondicionado no se caiga al desmontarlo.
- Si la unidad no funciona tras la revisión de instalación, asegúrese que el interruptor del circuito no se ha disparado. Consulte la guía de solución de averías para conocer el procedimiento de reinicio.

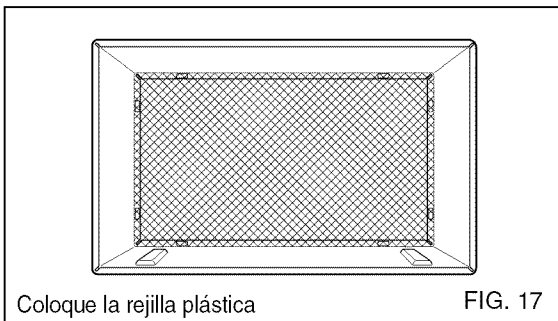
INSTALACIÓN

PROCEDIMIENTO C

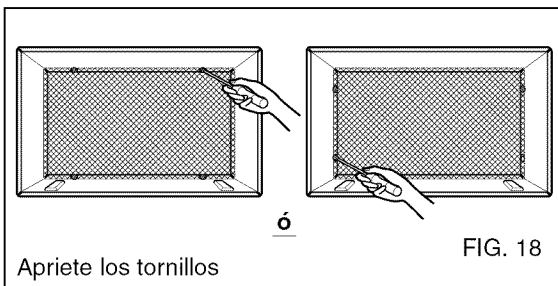
- 1 Redireccione las rejillas de ventilación en la parte posterior del soporte de pared a un ángulo de 60° según muestra la FIG. 16. Recomendamos el uso de alicates.



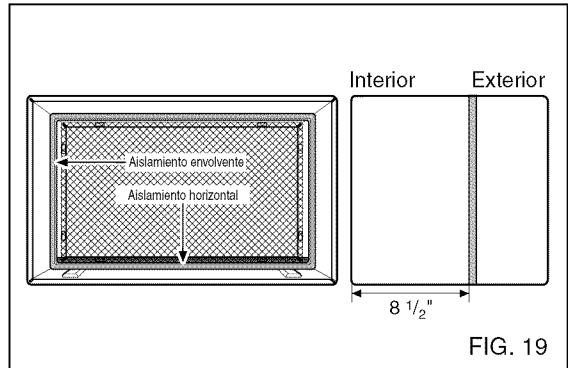
- 2 Si el soporte de pared ya cuenta con una rejilla posterior, salte al paso 4. Si el soporte de pared no tiene una rejilla posterior o un panel en rejilla, instale la rejilla plástica del conjunto. Corte la rejilla plástica a 26-1/2" de ancho y 15-1/2" de alto. Coloque la rejilla plástica en la parte interior del soporte de pared en la pestaña posterior.



- 3 Apriete los 4 tornillos de la arandela para asegurar la rejilla al soporte de pared. Si necesita tuercas plásticas para montar la rejilla plástica en el interior del soporte de pared, encontrará tuercas plásticas en el equipo de instalación. Las tuercas están instaladas en el interior del soporte de pared y están presionando las perforaciones cuadradas de las pestañas posteriores.



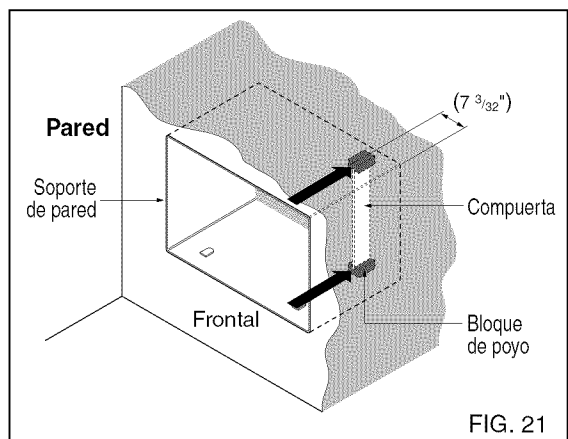
- 4 Retire el envoltorio de la tira horizontal de aislamiento de 23-7/32 x 1-3/8 x 1-3/16 y únala a la parte interior derecha del soporte de pared según se muestra a continuación. Retire el envoltorio de la tira de aislamiento envolvente de 59-27/32 x 1-3/8 x 1-3/8 y únala a la parte frontal interior del soporte de pared según se muestra a continuación.



- 5 Si la profundidad de su soporte de pared es menor o igual a 18", salte al paso 7. Si no, corte las compuertas y los bloques de apoyo según la longitud "A" en la tabla a continuación.

Profundidad "D" del soporte de pared existente (pulgadas)	Longitud "A" (pulgadas)	
$18 < D \leq 18\text{-}5/8$	$3/4$	<p>Bloque de apoyo</p> <p>Compuerta</p> <p>FIG. 20</p>
$18\text{-}5/8 < D \leq 19\text{-}3/4$	$1\text{-}3/4$	
$19\text{-}3/4 < D \leq 22$	4	

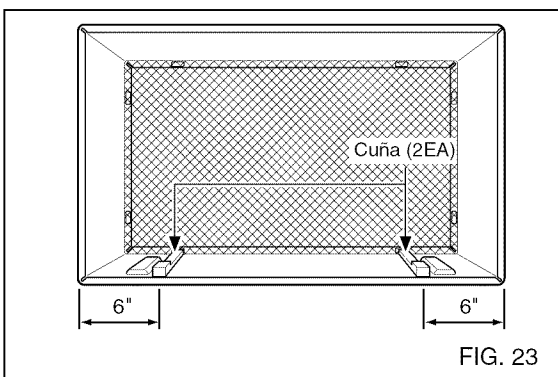
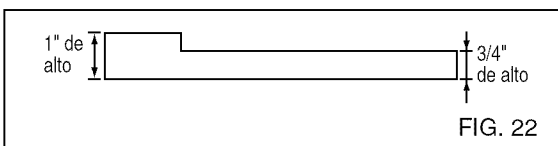
- 6 Retire el envoltorio de los bloques de apoyo y únalos al interior del soporte de pared como muestra la FIG. 21. Deslice la compuerta dentro de las ranuras en los bloques de apoyo.



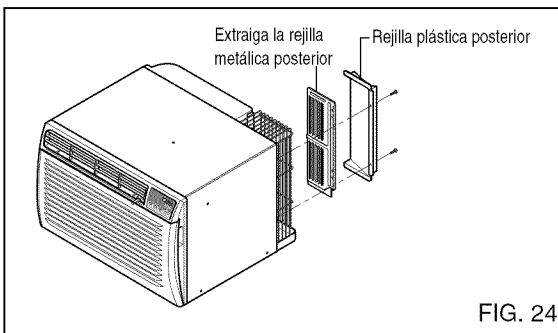
INSTALACIÓN

PROCEDIMIENTO C

- 7** Para lograr una pendiente de posterior para el drenaje de la unidad, retire el envoltorio de las cuñas de 11-13/16" y acóplelas según se muestra a continuación en la FIG. 23. Coloque el extremo más alto de la cuña en la parte frontal de la base del soporte de pared.



- 8** Extraiga la rejilla de metal posterior y sustitúyala por la rejilla plástica posterior.



- 9** Instale la nueva unidad en el soporte de pared.

- 10** Monte el ajuste según lo descrito en el paso 6, procedimiento A.

⚠ PRECAUCIÓN

- Los aires acondicionados tratados en este manual representan un peligro por peso excesivo. Son necesarias dos o más personas para desplazar e instalar la unidad.
Para evitar lesiones o esfuerzos excesivos, utilice las técnicas de levantamiento y desplazamiento apropiadas al mover la unidad.
- Manipule con cuidado el aire acondicionado, tenga cuidado de evitar cortes de las aristas afiladas de metal de las bobinas frontal y posterior.
- Asegúrese de que el aire acondicionado no se caiga al desmontarlo.
- Si la unidad no funciona tras la revisión de instalación, asegúrese que el interruptor del circuito no se ha disparado. Consulte la guía de solución de averías para conocer el procedimiento de reinicio.

FUNCIONAMIENTO

CÓMO Y POR QUÉ

Su aire acondicionado proporciona las siguientes funciones para hacer más cómodo vivir en lugares cálidos:

- Refresca y hace circular el aire de la habitación.
- Reduce la humedad eliminando el exceso de humedad.
- Filtra el polvo del verano, la suciedad y algunas impurezas aerotransportadas.

El aire acondicionado realiza estas funciones haciendo pasar el aire de la habitación a través de un filtro que atrapa el polvo y las partículas de suciedad. El aire pasa después a través un serpentín de enfriamiento que enfría el aire y elimina el exceso de humedad. El mismo aire vuelve entonces a la habitación – más frío, más seco y más limpio. La humedad eliminada del aire de la habitación se lleva al exterior y se evapora.

Su aire acondicionado está diseñado para ser fácil de manejar y proporcionar suficiente potencia de enfriamiento.

RUIDOS NORMALES FIG. 25

Aparte de los ruidos regulares del motor del ventilador y del compresor incluidos en su aire acondicionado, usted escuchará de vez en cuando un ruido silbante. Éste es el resultado de la humedad extraída del aire de la habitación y lanzada contra el ventilador del aire acondicionado.

Esto es normal y no debe causarle ninguna inquietud.

Además, no se alarme si escucha un leve ruido silbante o borbotante que procede de su aire acondicionado después de apagado. Éstos son ruidos normales del líquido refrigerador.

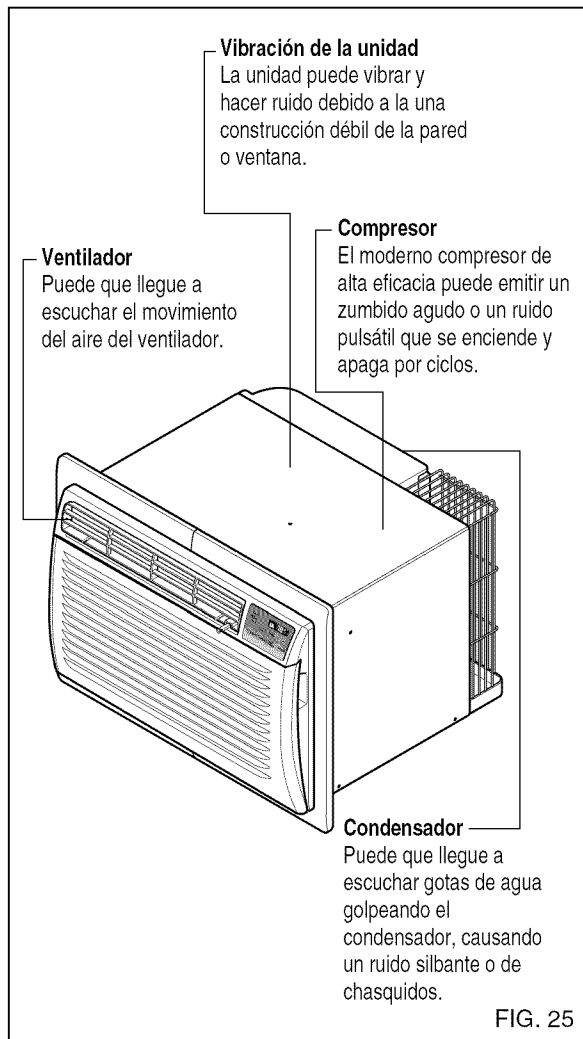
CAPACIDAD Y TIEMPO DE EJECUCIÓN

El tamaño apropiado de la unidad es importante a la hora de decidir la comodidad del área que desea enfriar. El tamaño apropiado es determinado por el número de pies cuadrados del área a enfriar.

Siempre que la carga de calor o humedad esté por encima de lo normal, el aire acondicionado debe estar en funcionamiento durante más tiempo y más a menudo para mantener la temperatura deseada que usted ha seleccionado.

Bajo pesadas condiciones de carga de calor, el aire acondicionado puede necesitar estar constantemente en funcionamiento para mantener la temperatura deseada.

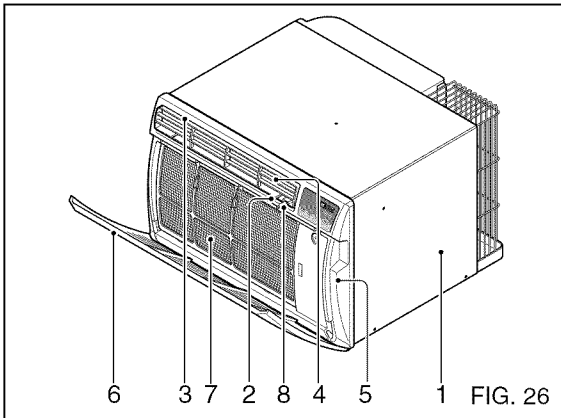
En ocasiones, utilizar el ajuste MED FAN para hacer circular el aire de la habitación puede hacerle sentir más cómodo aunque no tenga el aire acondicionado ajustado para enfriar el aire. Esto reducirá los gastos de uso.



FUNCIONAMIENTO

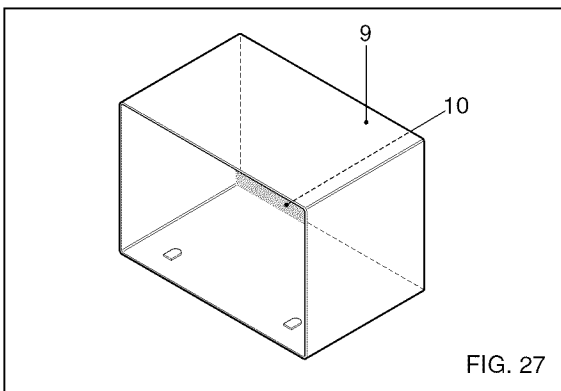
CARACTERÍSTICAS

LA UNIDAD



1. ARMARIO
2. DEFLECTOR HORIZONTAL DE AIRE (Rejilla de ventilación vertical)
3. DEFLECTOR VERTICAL DE AIRE (Rejilla de ventilación horizontal)
4. DESCARGA DE AIRE
5. REJILLA FRONTAL
6. REJILLA DE ENTRADA (Toma de aire)
7. FILTRO DE AIRE
8. CONTROL DEL ORIFICIO DE VENTILACIÓN

EL SOPORTE DE PARED Y LA REJILLA POSTERIOR



9. MONTAJE DEL SOPORTE DE PARED (Incluyendo rejilla posterior de aluminio)
10. REJILLA POSTERIOR (Rejilla posterior de aluminio)

USO DEL AIRE ACONDICIONADO

ADVERTENCIA Para reducir el riesgo de fuego, descargas eléctricas o lesiones a personas, lea la sección de importantes instrucciones de Seguridad antes poner este electrodoméstico en funcionamiento.

Para poner el aire acondicionado en funcionamiento tras la instalación, siga estos pasos:

1. Enchufe el aire acondicionado. (Para evitar peligros eléctricos, no utilice un cable alargador o un enchufe adaptador.)
2. Fije el control TEMP a la posición más fría.
3. Fije el control MODE al nivel más FRÍO.
4. Ajuste las rejillas de ventilación para lograr un cómodo flujo de aire.
5. Una vez enfriado el cuarto, ajuste los controles TEMP y MODO a la posición que encuentre más cómoda.

NOTA : Si apaga el aire acondicionado, espere 3 minutos antes de volver a encenderlo. Esto permite que la presión interior del compresor se iguale. Si decide no esperar 3 minutos antes de volver a encenderlo puede causar un funcionamiento ineficaz.

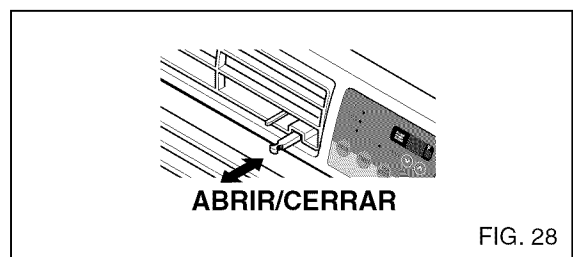
Si cambia el control TEMP a una posición más cálida, e inmediatamente después a una posición más fría, la unidad se apagará. Espere 3 minutos antes de volver a encenderlo.

Consulte la sección CARACTERÍSTICAS DEL AIRE ACONDICIONADO para conocer otros ajustes.

CONTROL DEL ORIFICIO DE VENTILACIÓN

El control del orificio de ventilación permite al aire acondicionado hacer recircula el aire del interior (CLOSE) o el aire de salida al exterior (OPEN). (FIG. 28)

- La posición CLOSE se utiliza cuando se desea enfriar al máximo. También puede utilizarse para la recirculación del aire sin enfriar cuando el aire acondicionado se encuentra en la posición FAN.
- La posición OPEN elimina el aire viciado del cuarto y lo expulsa al exterior. El aire frío se introduce en el cuarto a través de los conductos normales de aire de su vivienda.
- La posición OPEN ó CLOSE puede utilizarse con cualquier ajuste del ventilador.

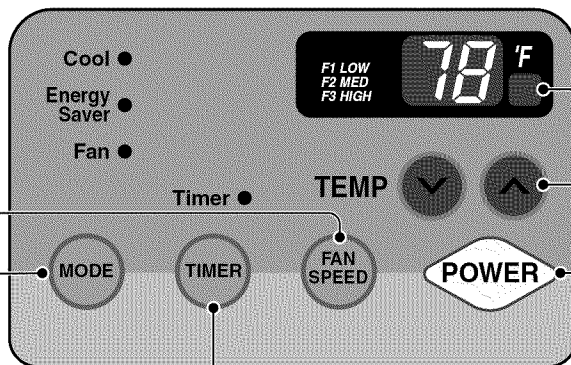


FUNCIONAMIENTO

PANEL DE CONTROL

VELOCIDAD DEL VENTILADOR

- Cada vez que presione este botón, el ajuste cambiará como sigue a continuación: {Alto → Bajo → Medio → Alto}



RECEPTOR DE SEÑAL DEL MANDO A DISTANCIA

AJUSTE DE TEMPERATURA

- Utilice este botón para controlar automáticamente la temperatura del cuarto. La temperatura puede establecerse dentro de una gama de 60° F a 86° F mediante incrementos de 1° F.
- El ajuste se muestra en pantalla.

POWER

- Para ENCENDER el aire acondicionado, presione este botón. Para APAGAR el aire acondicionado, presione de nuevo el botón.
- Este botón tiene prioridad sobre cualquier otro botón.
- Cuando la encienda por primera vez, la unidad estará en modo frío, alta velocidad del ventilador, control de temperatura en 72° F.

TEMPORIZADOR

- HORA DE APAGADO

- Normalmente utilizará el tiempo de apagado mientras usted duerme.
- Si la unidad está funcionando, utilice el temporizador para fijar el número de horas hasta que se apague.
- Para su tranquilidad al dormir, una vez que el temporizador esté configurado, el control de temperatura se elevará hasta los 2° F tras 30 minutos y de nuevo tras otros 30 minutos.
- Presione el botón del temporizador para avanzar el ajuste de 1 hora → 2 horas → ... → 12 horas máximo.

- HORA DE INICIO

- Si la unidad está apagada, utilice el temporizador para establecer el número de horas antes de iniciar la unidad.
- Presione el botón del temporizador para adelantar el ajuste de 1 hora → 2 horas → ... → 12 horas máximo.

MODO

- Presione este botón para cambiar el modo de funcionamiento de COOL → ENERGY SAVER → FAN.

- COOL (frío):

- El ventilador funciona continuamente en enfriamiento normal

- ENERGY SABER (ahorro de energía):

- El ventilador para su funcionamiento cuando el compresor cesa de enfriar. El ventilador se encenderá y la unidad comprobará la temperatura del aire de la habitación aproximadamente cada 3 minutos para determinar si es necesario seguir enfriando.

- FAN (ventilador):

- Sólo está en funcionamiento el ventilador.

REINICIO AUTOMÁTICO

Cuando la energía vuelva tras una caída de tensión, la unidad comenzará a funcionar bajo su ajuste anterior.

FUNCIONAMIENTO

MANDO A DISTANCIA

NOTA: El mando a distancia no funcionará correctamente si una luz potente brilla sobre la ventana del sensor del aire acondicionado o si existen obstáculos entre el mando a distancia y el aire acondicionado.

Cada vez que presione el botón, escuchará una señal sonora del aire acondicionado.

POWER

- Presione este botón para ENCENDER el aire acondicionado.
Para APAGAR el aire acondicionado vuelva a presionar el botón.
- Este botón tiene prioridad sobre cualquier otro botón.
- Al encenderla por primera vez, la unidad se encuentra en modo frío, alta velocidad del ventilador, ajuste de temperatura a 72° F.
- Reinicio automático
En el caso de una caída de tensión, la unidad funcionará bajo la configuración anterior una vez que la tensión vuelva a ser la normal.

AJUSTE DE TEMPERATURA

- Utilice este botón para controlar automáticamente la temperatura del cuarto.
La temperatura puede establecerse dentro de una gama de 60° F a 86° F por incrementos de 1° F.
- El ajuste aparece en pantalla.

VELOCIDAD DEL VENTILADOR

- Cada vez que presione este botón, el ajuste cambiará como sigue a continuación: {Alto → Bajo → Medio → Alto}

TEMPORIZADOR

- HORA DE APAGADO

- Normalmente utilizará el tiempo de apagado mientras usted duerme.
- Si la unidad está funcionando, utilice el temporizador para fijar el número de horas hasta que se apague.
- Para su tranquilidad al dormir, una vez que el temporizador esté configurado, el control de temperatura se elevará hasta los 2° F tras 30 minutos y de nuevo tras otros 30 minutos.
- Presione el botón del temporizador para avanzar el ajuste de 1 hora → 2 horas → ... → 12 horas máximo.

- HORA DE INICIO

- Si la unidad está apagada, utilice el temporizador para establecer el número de horas antes de iniciar la unidad.
- Presione el botón del temporizador para adelantar el ajuste de 1 hora → 2 horas → ... → 12 horas máximo.

MODOS

- Presione este botón para cambiar el modo de funcionamiento de COOL → ENERGY SAVER → FAN.

- COOL (frío):

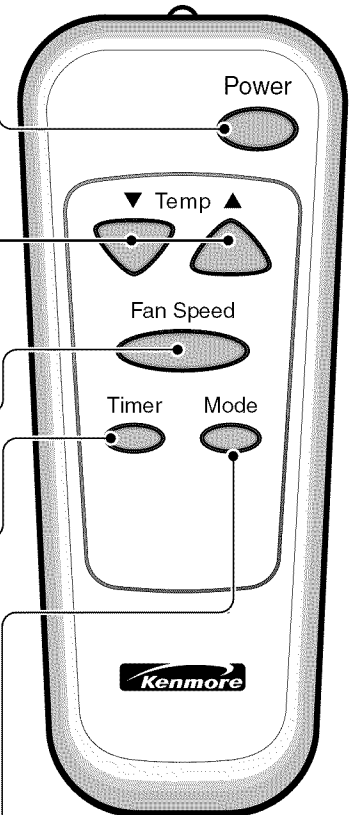
- El ventilador funciona continuamente en enfriamiento normal

- ENERGY SABER (ahorro de energía):

- El ventilador para su funcionamiento cuando el compresor cesa de enfriar. El ventilador se encenderá y la unidad comprobará la temperatura del aire de la habitación aproximadamente cada 3 minutos para determinar si es necesario seguir enfriando.

- FAN (ventilador):

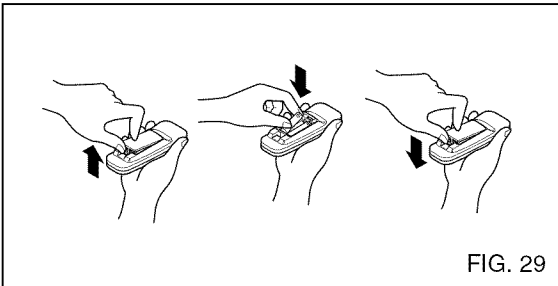
- Sólo está en funcionamiento el ventilador.



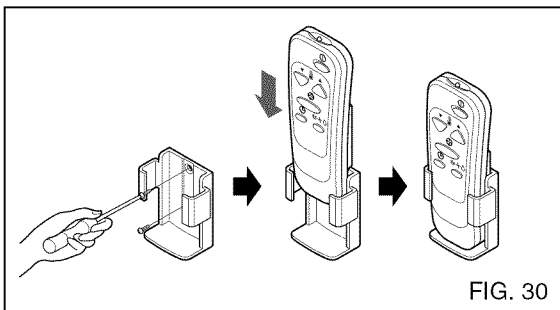
FUNCIONAMIENTO

INSERCIÓN DE LAS PILAS EN EL MANDO A DISTANCIA

1. Quite la tapa de la parte posterior del mando a distancia.
2. Inserte dos pilas.
 - Asegúrese de que los polos coinciden con las marcas (+) y (-).
 - Asegúrese de que ambas pilas sean nuevas.
3. Vuelva a colocar la tapa.

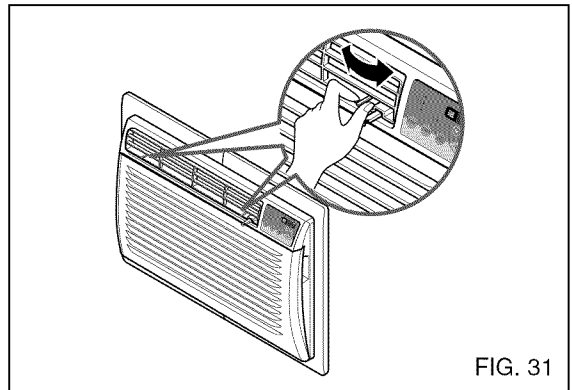


- No utilice pilas recargables. Asegúrese de que ambas pilas sean nuevas.
- Para evitar su descarga, retire las pilas del mando a distancia si el aire acondicionado no va a ser utilizado durante un largo período de tiempo. Guarde el mando a distancia lejos de lugares extremadamente calientes o húmedos. Para mantener el funcionamiento óptimo del mando a distancia, el sensor no se debe exponer a la luz directa del sol.
- El mando a distancia puede instalarse en una pared utilizando el soporte instalable.



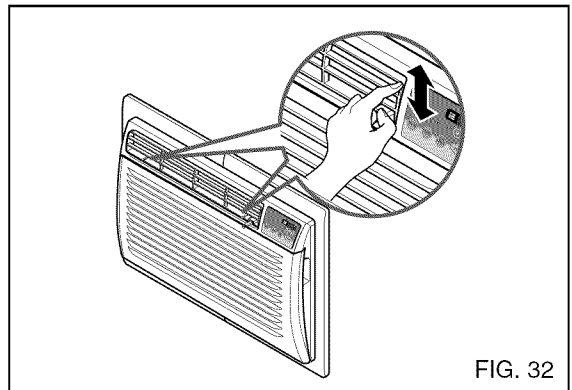
AJUSTE DEL DIRECCIONAMIENTO DE AIRE HORIZONTAL

- El direccionamiento de aire horizontal se ajusta moviendo la rejilla de ventilación vertical.
- Las palancas de control de la rejilla de ventilación vertical están situadas en los extremos izquierdo y derecho de la salida de aire.



AJUSTE DEL DIRECCIONAMIENTO DE AIRE VERTICAL

- El direccionamiento de aire vertical se ajusta moviendo las rejillas de ventilación horizontales.



MAINTENANCE

LIMPIEZA DEL FILTRO DE AIRE

El filtro de aire se ensuciará según elimine el polvo del aire interior. Debe lavarse al menos cada 2 semanas. Si deja el filtro de aire lleno de polvo, el flujo de aire disminuirá y la capacidad de enfriamiento se verá reducida, posiblemente dañando la unidad.

- Tire hacia delante de la rejilla de entrada y extraiga el filtro de aire. (FIG. 33)
- Lave el filtro de aire bajo un grifo de agua caliente. Asegúrese de eliminar todo el agua antes de sustituir el filtro. (FIG. 34)

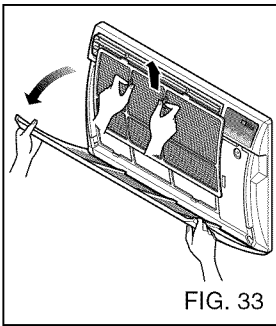


FIG. 33

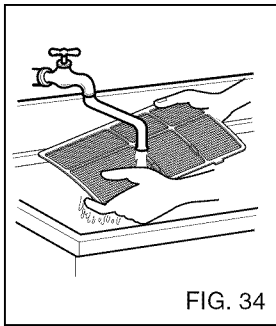


FIG. 34

LIMPIEZA DEL AIRE ACONDICIONADO

Limpie la rejilla frontal y la de entrada con un paño humedecido en una solución de detergente suave.

El armario puede lavarse con un jabón suave o detergente y agua tibia, y después pulirse con cera de aplicación líquida.

Para asegurar una eficacia máxima continua, las bobinas del condensador (lado exterior de la unidad) deberán comprobarse periódicamente y limpiarse si se bloquean con hollín o suciedad de la atmósfera. Cepille o aspire las bobinas exteriores para eliminar la suciedad de los bordes.

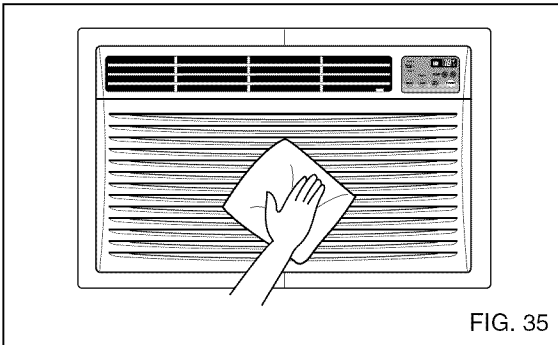


FIG. 35

CÓMO DESMONTAR LA REJILLA FRONTAL

- Abra la rejilla de entrada.
- Retire el tornillo de fijación de la rejilla frontal.
- Empuje hacia arriba la rejilla desde abajo y tire de la tapa de la rejilla para levantar las lengüetas superiores fuera de sus ranuras.

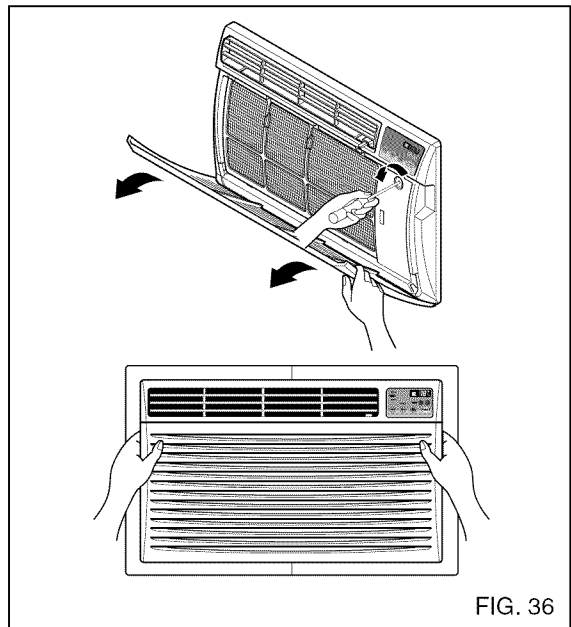


FIG. 36

CÓMO SUSTITUIR LA REJILLA FRONTAL

Acople la rejilla frontal al armario insertando las lengüetas de la rejilla en las ranuras de la parte frontal del armario. Empuje la rejilla hacia adentro hasta que haga clic en su lugar.

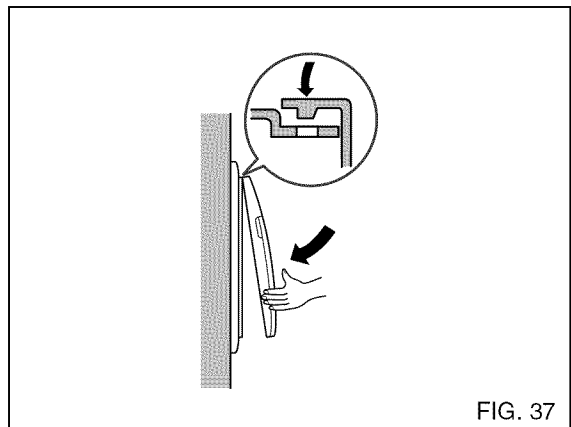


FIG. 37

SOLUCIÓN DE AVERÍAS

ANTES DE LLAMAR AL SERVICIO DE REPARACIÓN

Compruebe la lista a continuación para asegurarse de que llamar al servicio de reparación es realmente necesario. Una consulta rápida a este manual puede ayudarle a evitar una llamada innecesaria al servicio de reparación.

EL AIRE ACONDICIONADO NO FUNCIONA

Compruebe si...

Después...

El dispositivo interruptor de corriente está activado.	Presione el botón RESET situado en la carcasa del enchufe del cable de alimentación. Si el botón RESET no permanece presionado, deje de utilizar el equipo y póngase en contacto con un técnico de servicio cualificado.
El enchufe de pared está desconectado.	Empuje el enchufe firmemente contra la toma de pared.
Fusible fundido o interruptor de circuito activado.	Sustituya el fusible por uno de tipo de retardo o reinicie el interruptor de circuito.
Equipo APAGADO.	Presione el botón Power.
La unidad se apagó y después se encendió demasiado rápidamente.	Apague la unidad y espere 3 minutos antes de volver a encenderla.
El control de TEMP está más cálido que la temperatura ambiente.	Establezca el control TEMP a un número más inferior.

EL AIRE DE LA UNIDAD NO SALE LO SUFICIENTEMENTE FRÍO.

Compruebe si...

Después...

VELOCIDAD DEL VENTILADOR establecida en BAJA.	Presione el botón FAN SPEED para fijarlo en HI.
Control de TEMP establecido en demasiado cálido.	Fije el control TEMP a una temperatura más inferior.
Temperatura ambiente por debajo de los 70° F (21° C).	El enfriamiento puede no ocurrir hasta que la temperatura ambiente sea superior a 70° F (21° C).
El conducto de detección de temperatura está en contacto con la bobina del evaporador, ubicada tras la rejilla frontal.	Enderece el conducto lejos de la bobina de evaporador.

EL AIRE ACONDICIONADO ENFRÍA, PERO EL CUARTO ESTÁ DEMASIADO CÁLIDO – SE ESTÁ FORMANDO HIELO TRÁS LA REJILLA DE ENTRADA.

Compruebe si...

Después...

Temperatura ambiente por debajo de los 70° F (21° C).	Para descongelar la bobina, fije el MODO a VENTILADOR, y la velocidad del ventilador a Alta.
El filtro de aire puede estar sucio.	Limpie el filtro de aire. Consulte la sección de mantenimiento en el manual del propietario.
Control TEMP fijado demasiado bajo.	Para descongelar la bobina, fije el MODO a Cool, la velocidad del ventilador a Alta, y el control TEMP a una temperatura más alta.

EL AIRE ACONDICIONADO ENFRÍA, PERO EL CUARTO ESTÁ DEMASIADO CÁLIDO

Compruebe si...

Después...

Filtro de aire sucio – aire restringido.	Limpie el filtro de aire. Consulte la sección de mantenimiento del manual del propietario.
EL control TEMP está fijado a demasiado caliente.	Fije el control de TEMP a una temperatura más inferior.
La parte frontal de la unidad está bloqueada por persianas, cortinas, muebles, etc. La distribución del aire está restringida.	Elimine la obstrucción de delante de la unidad.
Las puertas, ventanas, registros, etc. Están abiertos. El aire frío se escapa.	Cierre las puertas, ventanas, registros, etc.
Unidad recientemente encendida en un cuarto caliente.	Concede un tiempo adicional para a eliminación del calor almacenado en paredes, techo, suelo, y muebles.

EL AIRE ACONDICIONADO SE ENCIENDE Y APAGA RÁPIDAMENTE.

Compruebe si...

Después...

La temperatura exterior es extremadamente caliente.	Fije la VELOCIDAD del VENTILADOR en HI para reducir al mínimo la carga de enfriamiento.
La unidad está fijada en modo de ahorro de energía.	Aproximadamente cada 3 minutos, el ventilador se encenderá y la unidad comprobará la temperatura del aire del cuarto para determinar si es necesario enfriarlo. Éste es el funcionamiento normal del modo ahorro de energía.

RUIDOS CUANDO LA UNIDAD ESTÁ ENFRIANDO.

Compruebe si...

Después...

Ruido del ventilador golpeando agua – del sistema de eliminación de humedad.	Esto es normal cuando la humedad es alta. Cierre puertas, ventanas, y registros.
Vibración de la ventana – instalación defectuosa	Consulte las instrucciones de instalación o consulte con el instalador.

GOTEO DE AGUA DENTRO DEL CUARTO CUANDO LA UNIDAD ESTÁ ENFRIANDO.

Compruebe si...

Después...

El aire acondicionado está instalado incorrectamente.	Incline el aire acondicionado levemente hacia el exterior para permitir el drenaje del agua. Consulte las instrucciones de instalación o consulte con el instalador.
-------------------------------------------------------	----------------------------------------------------------------------------------------------------------------------------------------------------------------------

GOTEO DE AGUA EN EL EXTERIOR CUANDO LA UNIDAD ESTÁ ENFRIANDO.

Compruebe si...

Después...

La unidad está eliminando grandes cantidades de humedad de un cuarto húmedo.	Esto es normal durante los días excesivamente húmedos.
------------------------------------------------------------------------------	--------------------------------------------------------

NOTA

Master Protection Agreements

Congratulations on making a smart purchase. Your new Kenmore® product is designed and manufactured for years of dependable operation. But like all products, it may require preventive maintenance or repair from time to time. That's when having a Master Protection Agreement can save you money and aggravation.

The Master Protection Agreement also helps extend the life of your new product. Here's what the Agreement* includes:

- ✓ **Parts and labor** needed to help keep products operating properly **under normal use**, not just defects. Our coverage goes **well beyond the product warranty**. No deductibles, no functional failure excluded from coverage— **real protection**.
- ✓ **Expert service** by a force of more than **10,000 authorized Sears service technicians**, which means someone you can trust will be working on your product.
- ✓ **Unlimited service calls and nationwide service**, as often as you want us, whenever you want us.
- ✓ **"No-lemon" guarantee** - replacement of your covered product if four or more product failures occur within twelve months.
- ✓ **Product replacement** if your covered product can't be fixed.
- ✓ **Annual Preventive Maintenance Check** at your request - no extra charge.
- ✓ **Fast help by phone** – we call it **Rapid Resolution** – phone support from a Sears representative on all products. Think of us as a "talking owner's manual."
- ✓ **Power surge protection** against electrical damage due to power fluctuations.
- ✓ **\$250 Food Loss Protection** annually for any food spoilage that is the result of mechanical failure of any covered refrigerator or freezer.
- ✓ **Rental reimbursement** if repair of your covered product takes longer than promised.
- ✓ **10% discount** off the regular price of any non-covered repair service and related installed parts.

Once you purchase the Agreement, a simple phone call is all that it takes for you to schedule service. You can call anytime day or night, or schedule a service appointment online.

The Master Protection Agreement is a risk free purchase. If you cancel for any reason during the product warranty period, we will provide a full refund. Or, a prorated refund anytime after the product warranty period expires. Purchase your Master Protection Agreement today!

Some limitations and exclusions apply. For prices and additional information in the U.S.A. call 1-800-827-6655.

*** Coverage in Canada varies on some items. For full details call Sears Canada at 1-800-361-6665.**

Sears Installation Service

For Sears professional installation of home appliances, garage door openers, water heaters, and other major home items, in the U.S.A. or Canada call **1-800-4-MY-HOME®**.

Contratos de protección maestra

Felicitaciones por su compra inteligente. Su nuevo producto Kenmore® está diseñado y fabricado para muchos años de operación confiable. Sin embargo, al igual que todos los puede requerir de mantenimiento o reparación productos, preventivas de vez en cuando. Es ahí cuando el contrato de protección maestra le puede ahorrar dinero y molestias.

El Contrato de protección maestra también le ayuda a ampliar la vida de su nuevo producto. Lo siguiente es lo que se incluye en el contrato*:

- ✓ **Piezas y mano de obra** necesaria para ayudar a mantener los productos en funcionamiento adecuado **bajo un uso normal**, no sólo defectos. Nuestra cobertura va **mucho más allá de la garantía del producto**. Sin franquicia, ni falla funcional excluidos de la cobertura— **protección real**.
- ✓ **Servicio experto** otorgado por un grupo de más de 10,000 técnicos de reparación autorizados de Sears, lo que significa que alguien en quien usted confía trabajará con su producto.
- ✓ **Servicio ilimitado a domicilio en toda la nación**, cuantas veces quiera, cuando lo necesite.
- ✓ **Garantía contra productos defectuosos** reposición de su producto cubierto si ocurren cuatro o más fallas del producto dentro de doce meses.
- ✓ **Reposición del producto** si el producto cubierto no puede repararse.
- ✓ **Revisión anual de mantenimiento preventivo** a su solicitud – sin cargo adicional.
- ✓ **Ayuda telefónica rápida** – lo llamamos **resolución rápida** – asistencia telefónica de parte de un técnico Sears sobre todos los productos. Piense en nosotros como un "manual de usuario que habla".
- ✓ **Protección contra descargas eléctricas** para daños debido a fluctuaciones eléctricas.
- ✓ **Protección por pérdida de alimentos de \$250** anualmente por alimentos que se han echado a perder por un mal funcionamiento de refrigeradores o freezers cubiertos por la garantía.
- ✓ **Reembolso por alquiler** si la reparación del producto cubierto toma más tiempo del prometido.
- ✓ **10% de descuento** del precio común de cualquier reparación no cubierta y piezas instaladas relacionadas.

Una vez que adquiera el contrato, sólo necesita realizar una llamada telefónica para programar el servicio. Puede llamar a cualquier hora del día o de la noche, o programar la cita del servicio por Internet.

El Contrato de protección maestra es una compra libre de riesgo. Si la cancela por cualquier razón durante el período de garantía del producto, le reintegraremos el dinero en su totalidad. O un reintegro prorrateado después de que expire la garantía del producto. ¡Adquiera el Contrato de protección maestra hoy mismo!

Existen ciertas limitaciones y exclusiones. Para precios e información adicional, llame al 1-800-827-6655.

*** La cobertura en Canadá es diferente en algunos ítems. Para más detalles llame a Sears Canadá al 1-800-361-6665.**

Servicio de instalación de Sears

*Para la instalación profesional garantizada de Sears de electrodomésticos, dispositivos para abrir puertas de garaje, calentadores de agua y otros aparatos importantes para el hogar, en los EE.UU. o Canadá llame al **1-800-4-MY-HOME®**.*

ENGLISH

ESPAÑOL

Get it fixed, at your home or ours!

Your Home

For repair – **in your home** – of **all** major brand appliances, lawn and garden equipment, or heating and cooling systems, **no matter who made it, no matter who sold it!**

For the replacement parts, accessories and owner's manuals that you need to do-it-yourself.

For Sears professional installation of home appliances and items like garage door openers and water heaters.

1-800-4-MY-HOME® (1-800-469-4663)

Call anytime, day or night (U.S.A. and Canada)

www.sears.com www.sears.ca

For expert home solutions advice: www.managemyhome.com

Our Home

For repair of carry-in items like vacuums, lawn equipment, and electronics, call or go on-line for the location of your nearest

Sears Parts & Repair Service Center

1-800-488-1222 (U.S.A.) 1-800-469-4663 (Canada)

Call anytime, day or night

www.sears.com www.sears.ca

To purchase a protection agreement on a product serviced by Sears:

1-800-827-6655 (U.S.A.)

1-800-361-6665 (Canada)

Para pedir servicio de reparación a domicilio, y para ordenar piezas:

1-888-SU-HOGAR®

(1-888-784-6427)

Au Canada pour service en français:

1-800-LE-FOYER^{MC}

(1-800-533-6937)

www.sears.ca

