

# 30" DUAL FUEL SLIDE-IN RANGE INSTALLATION INSTRUCTIONS

(Models with an Electric Oven and a Gas Cooktop)

INSTALLATION AND SERVICE MUST BE PERFORMED BY A QUALIFIED INSTALLER.  
**IMPORTANT: SAVE FOR LOCAL ELECTRICAL INSPECTOR'S USE.**  
 READ AND SAVE THESE INSTRUCTIONS FOR FUTURE REFERENCE.



Refer to your serial plate for applicable agency certification

**WARNING** If the information in this manual is not followed exactly, a fire or explosion may result causing property damage, personal injury or death.

**FOR YOUR SAFETY:**

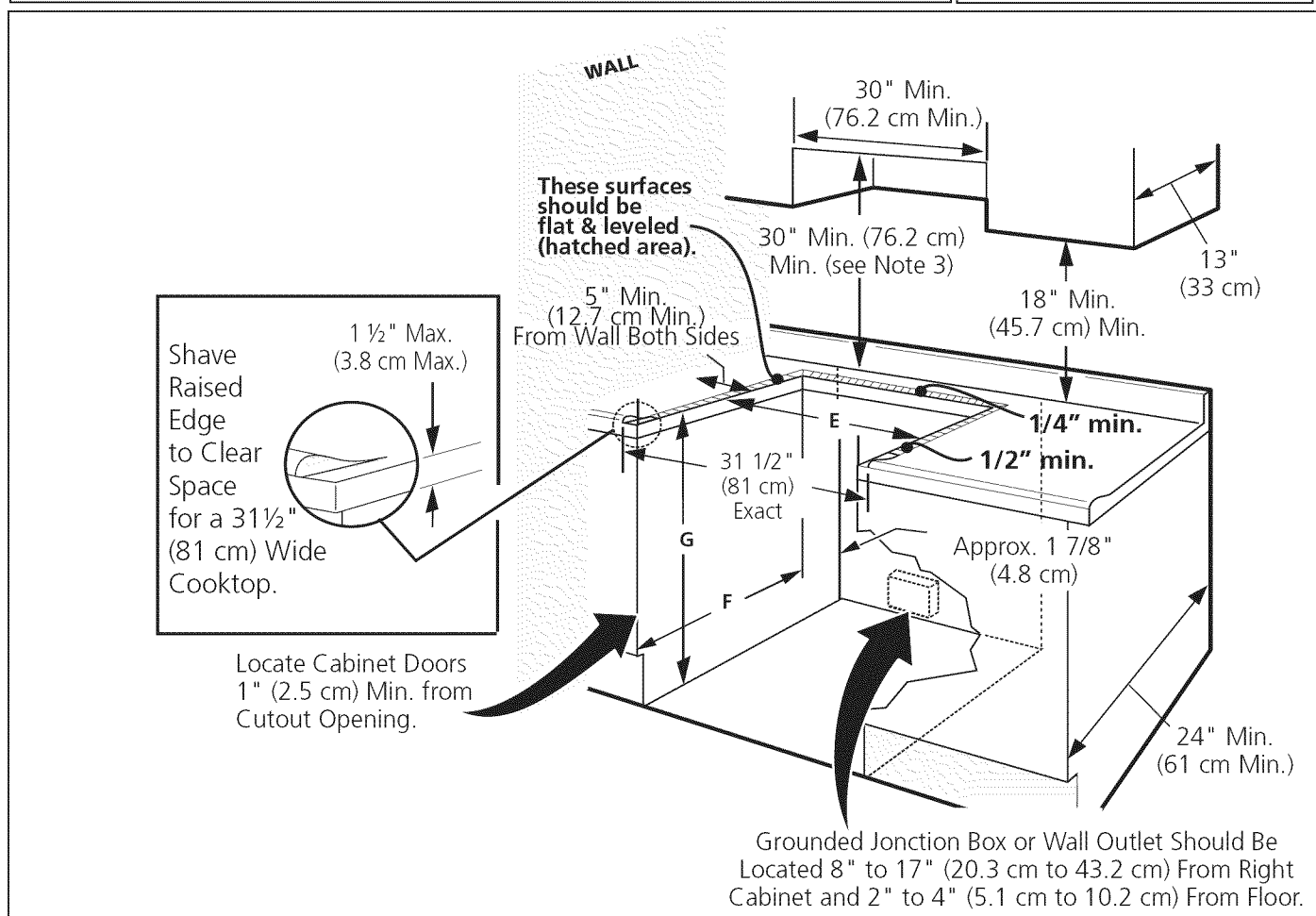
- Do not store or use gasoline or other flammable vapors and liquids in the vicinity of this or any other appliance.
- **WHAT TO DO IF YOU SMELL GAS:**
  - Do not try to light any appliance.
  - Do not touch any electrical switch; do not use any phone in your building.
  - Immediately call your gas supplier from a neighbor's phone. Follow the gas supplier's instructions.
  - If you cannot reach your gas supplier, call the fire department.
- Installation and service must be performed by a qualified installer, service agency or the gas supplier.

**Appliances Installed in the state of Massachusetts:**

This Appliance can only be installed in the state of Massachusetts by a Massachusetts licensed plumber or gasfitter.

This appliance must be installed with a three (3) foot / 36 in. long flexible gas connector.

A "T" handle type manual gas valve must be installed in the gas supply line to this appliance.



**WARNING** Do not install the unit in the cabinet before reading next page.

A. HEIGHT (Under Cooktop)	B. WIDTH	C. COOKTOP WIDTH	D. TOTAL DEPTH TO FRONT OF RANGE	E. CUTOUT WIDTH*** (Countertop and cabinet)	F. CUTOUT DEPTH	G. HEIGHT OF COUNTERTOP
35 7/8" (91,1 cm) 36 5/8" (93 cm)	30" (76,2 cm)	31 1/2" (80 cm)	28 5/16" (71,9 cm)	30±1/16" (76,2±0,15 cm)	21 3/4" (55,2 cm) Min. 22 1/8" (56,2 cm) Max 24" (61 cm) Min. with backguard	35 7/8" (91,1 cm) Min. 36 5/8" (93 cm) Max.

**NOTE:** Wiring diagram for these appliances are enclosed in this booklet.

Printed in United States

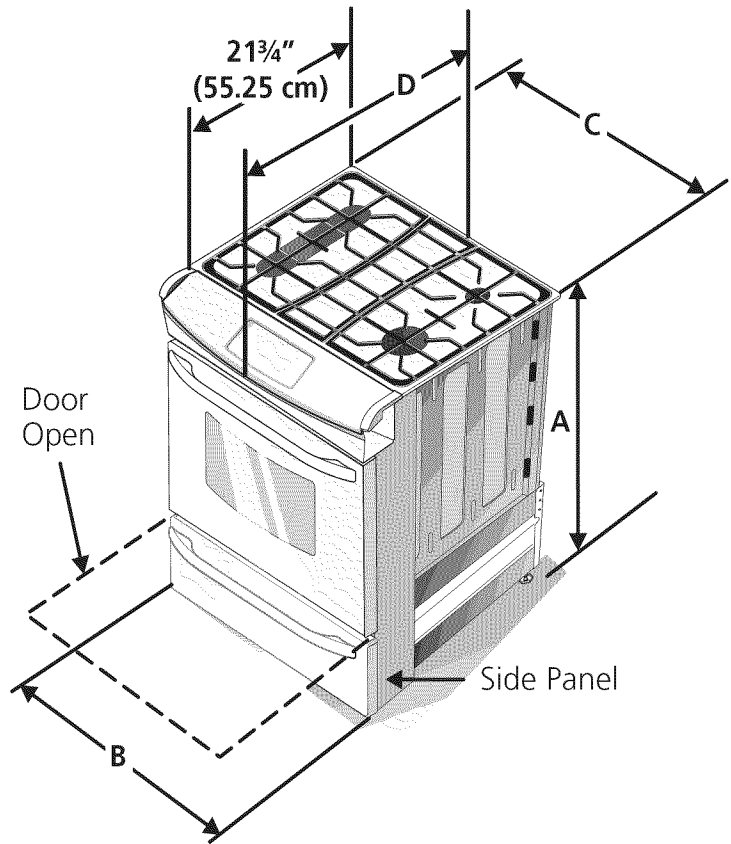
P/N 318201679 (0903) Rev. A  
 English – pages 1-13  
 Español – páginas 14-26  
 Français – pages 27-39  
 Wiring Diagrams - pages 40

# 30" DUAL FUEL SLIDE-IN RANGE INSTALLATION INSTRUCTIONS

(Models with an Electric Oven and a Gas Cooktop)

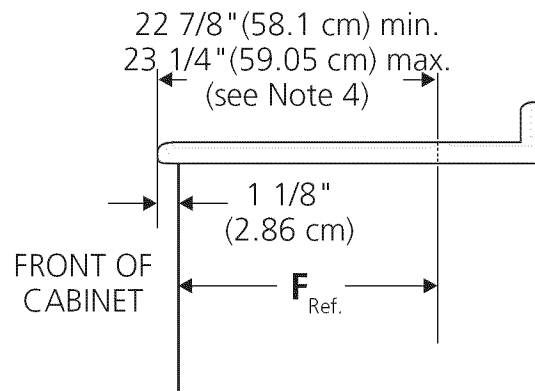
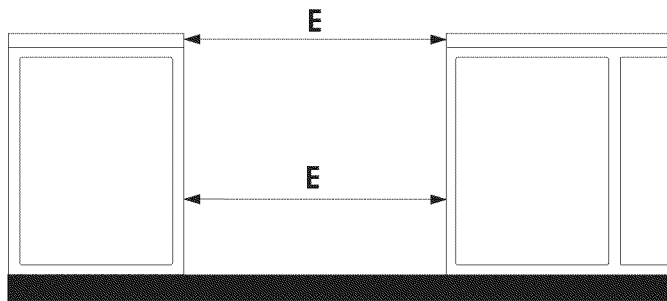
## NOTE:

1. Do not pinch the power supply cord or the flexible gas conduit between the range and the wall.
2. Do not seal the range to the side cabinets.
3. 24" (61 cm) minimum clearance between the cooktop and the bottom of the cabinet when the bottom of wood or metal cabinet is protected by not less than 1/4" (0.64 cm) flame retardant millboard covered with not less than No. 28 MSG sheet metal, 0.015" (0.4 mm) stainless steel, 0.024" (0.6 mm) aluminum, or 0.020" (0.5 mm) copper.  
30" (76.2 cm) minimum clearance when the cabinet is unprotected.
4. For cutouts below 22 7/8" (58.1 cm), appliance will slightly show out of the cabinet.
5. Allow at least 19 1/4" (48.9 cm) clearance for door depth when it is open.



**\*\*\* IMPORTANT:** To avoid cooktop breakage for cutout width (E dimension) of more than 30 1/16" (76,4 cm), make sure the appliance is centered in the counter opening while pushing into it. Raise leveling legs at a higher position than the cabinet height (see page 3), insert the appliance in the counter and then level. Make sure the unit is supported by the leveling legs and NOT by the cooktop itself.

**IMPORTANT:** Cabinet and countertop width should match the cutout width.



A. HEIGHT (Under Cooktop)	B. WIDTH	C. COOKTOP WIDTH	D. TOTAL DEPTH TO FRONT OF RANGE	E. CUTOUT WIDTH*** (Countertop and cabinet)	F. CUTOUT DEPTH	G. HEIGHT OF COUNTERTOP
35 7/8" (91,1 cm) 36 5/8" (93 cm)	30" (76,2 cm)	31 1/2" (80 cm)	28 5/16" (71,9 cm)	30±1/16" (76,2±0,15 cm)	21 3/4" (55,2 cm) Min. 22 1/8" (56,2 cm) Max 24" (61 cm) Min. with backguard	35 7/8" (91,1 cm) Min. 36 5/8" (93 cm) Max.

# 30" DUAL FUEL SLIDE-IN RANGE INSTALLATION INSTRUCTIONS

(Models with an Electric Oven and a Gas Cooktop)

**To avoid breakage: Do NOT handle or manipulate the unit by the cooktop.**

1

The counter-top around the cut-out should be flat and leveled (see hatched area on illustration 1).

2

Before installing the unit, measure the heights of the two (2) cabinet sides (H1-4), front and back (see illustration 1) from the floor to the top of the counter.

3

Level the range using the four (4) leveling legs, so that the height from the floor to the underside of the metal flange is greater than the tallest cabinet measurement by at least 1/16" (see illustration 2).

Shave Raised Edge to Clear Space for a 31½" (81 cm) Wide Cooktop.

1 ½" Max. (3.8 cm Max.)

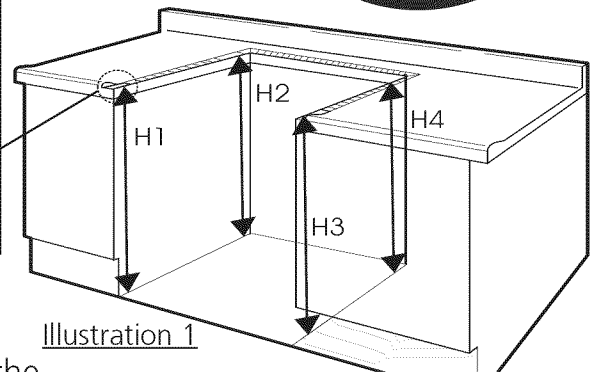
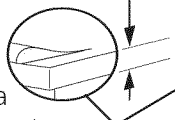


Illustration 1

4

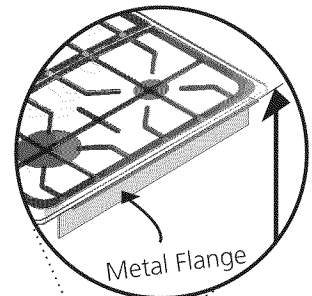
Slide the unit into the cabinet. Make sure the center of the unit is aligned with the center of the cabinet cut-out.

5

Remove the protective channels on each side of the cooktop (if provided).

6

The metal flange under each side of the cooktop **MUST** be placed over the cabinet countertop for proper unit support. The cooktop should **NOT** rest directly on the countertop (see illustration 2) or else it could cause damage to the cooktop voiding the warranty. Level the unit if needed.

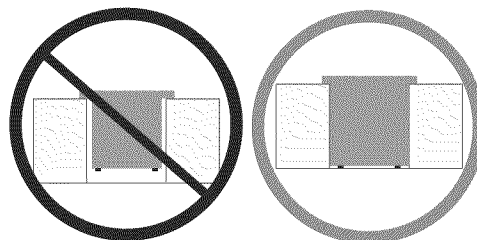


To successfully install the range, the initial level height from floor to underside of cooktop frame should be at least 1/16" taller than cabinet sides as measured in step 2.

Illustration 2

7

After the installation, **MAKE SURE** that the unit is supported by the two front leveling legs and the two adjustable leveling wheels and **NOT** by the cooktop.



# 30" DUAL FUEL SLIDE-IN RANGE INSTALLATION INSTRUCTIONS

(Models with an Electric Oven and a Gas Cooktop)

## Important Notes to the Installer

1. Read all instructions contained in these installation instructions before installing range.
2. Remove all packing material from the oven compartments before connecting the gas and electrical supply to the range.
3. Observe all governing codes and ordinances.
4. Be sure to leave these instructions with the consumer.
5. Note: For operation at 2000 ft. elevations above sea level, appliance rating shall be reduced by 4 percent for each additional 1000 ft.

## Important Note to the Consumer

Keep these instructions with your Owner's Guide for the local electrical inspector's use and future reference.

# IMPORTANT SAFETY INSTRUCTIONS

**⚠ CAUTION** Cold temperatures can damage the electronic control. When using the appliance for the first time, or when the appliance has not been used for an extended period of time, be certain the unit has been in temperatures above 32°F (0°C) for at least 3 hours before turning on the power to the appliance.

Installation of this range must conform with local codes or, in the absence of local codes, with the National Fuel Gas Code ANSI Z223.1 / NFPA54 or CAN/ACG-B149.1 and CAN/ACG-B149.2.

This range has been design certified by CSA international. As with any appliance using gas and generating heat, there are certain safety precautions you should follow. You will find them in the Use and Care Guide, read it carefully.

- Be sure your range is installed and grounded properly by a qualified installer or service technician.
- This range must be electrically grounded in accordance with local codes or, in their absence, with the National Electrical Code ANSI/NFPA No. 70—latest edition in United States or with CSA Standard C22.1, Canadian Electrical Code, Part 1 in Canada.
- The installation of appliances designed for manufactured (mobile) home installation must conform with Manufactured Home Construction and Safety Standard, title 24CFR, part 3280 [Formerly the Federal

Standard for Mobile Home Construction and Safety, title 24, HUD (part 280)] or when such standard is not applicable, the Standard for Manufactured Home Installation 1982 (Manufactured Home Sites, Communities and Setups), ANSI Z225.1/NFPA 501A—latest edition, or with local codes in United States and with CAN/CSA-Z240 MH in Canada.

- **Make sure the wall coverings around the range can withstand the heat generated by the range.**
- **Before installing the range in an area covered with linoleum or any other synthetic floor covering, make sure the floor covering can withstand heat at least 90°F above room temperature without shrinking, warping or discoloring.** Do not install the range over carpeting unless you place an insulating pad or sheet of ¼" (10,16 cm) thick plywood between the range and carpeting.
- **Do not obstruct the flow of combustion air at the oven vent nor around the base or beneath the lower front panel of the range.** Avoid touching the vent openings or nearby surfaces as they may become hot while the oven is in operation. This range requires fresh air for proper burner combustion.



**⚠ WARNING** Never leave children alone or unattended in the area where an appliance is in use. As children grow, teach them the proper, safe use of all appliances. Never leave the oven door open when the range is unattended.

**⚠ WARNING** Stepping, leaning or sitting on the doors or drawers of this range can result in serious injuries and can also cause damage to the range.

- **Do not store items of interest to children in the cabinets above the range.** Children could be seriously burned climbing on the range to reach items.
- **To eliminate the need to reach over the surface burners, cabinet storage space above the burners should be avoided.**
- **Adjust surface burner flame size so it does not extend beyond the edge of the cooking utensil.** Excessive flame is hazardous.
- **Do not use the oven as a storage space.** This creates a potentially hazardous situation.
- **Never use your range for warming or heating the room.** Prolonged use of the range without adequate ventilation can be dangerous.
- **Do not store or use gasoline or other flammable vapors and liquids near this or any other appliance.** Explosions or fires could result.
- In the event of an electrical power outage, the surface burners can be lit manually. To light a surface burner, hold a lit match to the burner head and slowly turn the Surface Control knob to LITE. Use caution when lighting surface burners manually.
- **Reset all controls to the "off" position after using a programmable timing operation.**

## FOR MODELS WITH SELF-CLEAN FEATURE:

- **Remove broiler pan, food and other utensils before self-cleaning the oven.** Wipe up excess spillage. Follow the precleaning instructions in the Use and Care Guide.

	<b>⚠ WARNING</b>	<b>⚠ WARNING</b> To reduce the risk of tipping of the range, the range must be secured by properly installed anti-tip bracket provided with the range. To check if the bracket is installed properly, grasp the top rear edge of the range and carefully tilt it forward to make sure the range is anchored.
	<ul style="list-style-type: none"><li>• All ranges can tip.</li><li>• Injury to persons could result.</li><li>• Install anti-tip device packed with range.</li></ul>	

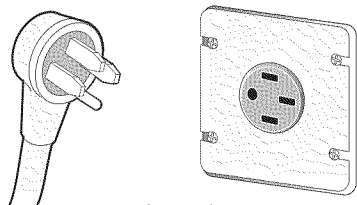


# 30" DUAL FUEL SLIDE-IN RANGE INSTALLATION INSTRUCTIONS

(Models with an Electric Oven and a Gas Cooktop)

## 1. Factory Connected Power Supply Cord (Canada only)

This range is equipped with a factory-connected power cord (see Figure 1). Cord must be connected to a grounded 120/240 volt or 120/208 volt range outlet. If no outlet is available, have one installed by a qualified electrician.



Canada Style  
Figure 1

## 2. Power Supply Cord Kit (U.S.A.)

The user is responsible for connecting the power supply cord to the connection block located behind the back panel access cover.

This appliance may be connected by means of permanent "hard wiring"; flexible armored or nonmetallic shielded copper cable (when local code allow it) or by means of a power supply cord kit.

**NOTE:** Electric Slide-in Range is shipped from factory with 1 1/8" (2.9 cm) dia. hole as shown on figure 4. If a larger hole is required, punch out the knockout.

**⚠ WARNING** Risk of fire or electrical shock exists if an incorrect size range cord kit is used, the Installation Instructions are not followed, or the strain relief bracket is discarded.

For mobile homes, new installations or recreational vehicles, use only a power supply kit designed for a range at 125V/250V 30A recommended. Cord must have either 3 (when local code permits grounding through neutral) or 4 conductors. Terminal on end of wires must be either closed loop or open spade lug with upturned ends. Cord must have strain-relief clamp.

**⚠ CAUTION** Do not loosen the nuts which secure the factory-installed range wiring to terminal block while connecting range. Electrical failure or loss of electrical connection may occur.

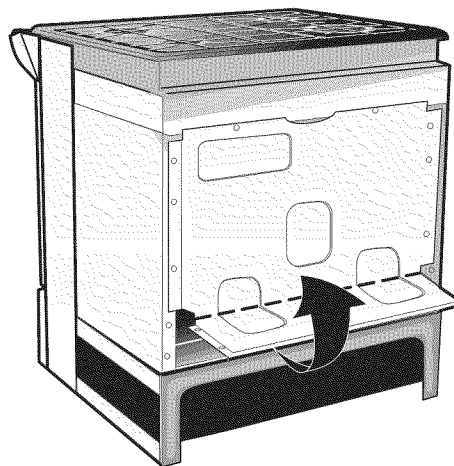
## ⚠ WARNING

### Electrical Shock Hazard

- Electrical ground is required on this appliance.
- Do not connect to the electrical supply until appliance is permanently grounded.
- Disconnect power to the circuit breaker or fuse box before making the electrical connection.
- This appliance must be connected to a grounded, metallic, permanent wiring system, or a grounding connector should be connected to the grounding terminal or wire lead on the appliance.

Failure to do any of the above could result in a fire, personal injury or electrical shock.

## 3. Access to Terminal Block & Grounding Strap (U.S.A.)



BEND REAR WIRE COVER HERE  
FOR ACCESS TO TERMINAL BLOCK

Figure 2

**⚠ WARNING** This appliance is manufactured with the frame grounded by connection of a grounding strap between the neutral power supply terminal and the frame. If used in USA, in a new branch circuit installation (1996 NEC), mobile home or recreational vehicle, where local code do not permit grounding through neutral (white) wire or in Canada; remove the grounding strap from the frame and cut the other end, near the neutral terminal. Connect the appliance in usual manner.

# 30" DUAL FUEL SLIDE-IN RANGE INSTALLATION INSTRUCTIONS

(Models with an Electric Oven and a Gas Cooktop)

## 4. Electrical Connection to the Range (U.S.A.)

### Three Conductor Wire Connection to Range

If local codes permit connection of the frame grounding conductor to the neutral wire of the copper power supply cord (see Figure 3):

1. Remove the 3 screws at the lower end of the rear wire cover, then bend the lower end of the rear wire cover (access cover) upward to expose range terminal connection block (see Figure 2).
2. Using the nuts supplied in the literature package, connect the neutral of the copper power supply cord to the center silver-colored terminal of the terminal block, and connect the other wires to the outer terminals. Match wires and terminals by color (red wires connected to the right terminal, black wires connected to the left terminal) (see figure 3).
3. Lower the terminal cover and replace the 3 screws.

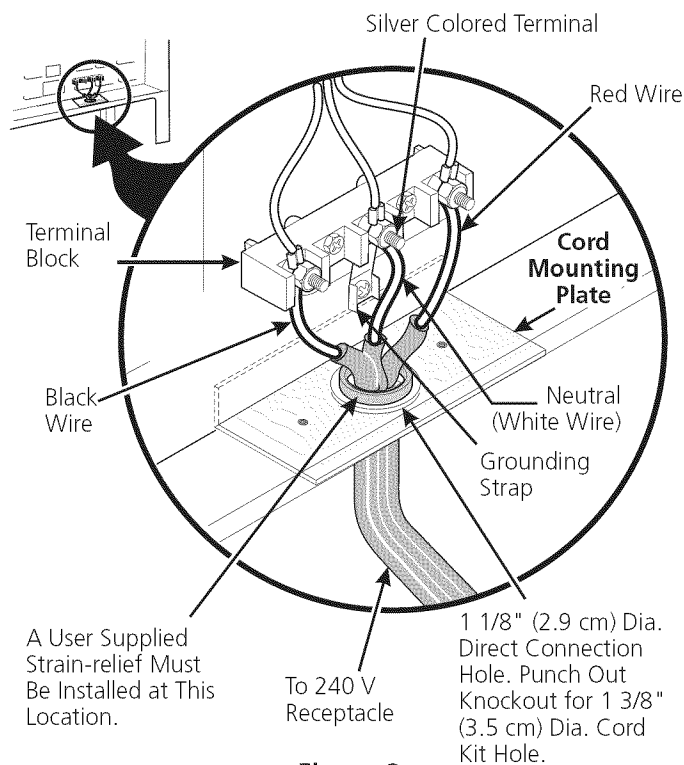


Figure 3

### Four Conductor Wire Connection to Range

Where local codes does NOT permit connection of the frame grounding conductor to the neutral wire of the copper power supply cord (see Figure 4):

1. Remove the 3 screws at the lower end of the rear wire cover, then raise the lower end of the rear wire cover (access cover) upward to expose range terminal connection block (see figure 2).
2. Remove the grounding strap from the terminal block and from the appliance frame.
3. Using the nuts supplied with the literature package, connect the ground wire (green) of the copper power supply cord to the frame of the appliance with the ground screw, using the hole in the frame where the ground strap was removed (see Figure 4).
4. Connect the neutral of the copper power supply cord to the center silver-colored terminal of the terminal block, and connect the other wires to the outer terminals. Match wires and terminals by color (red wires connected to the right terminal, black wires connected to the left terminal).
5. Lower the terminal cover and replace the 3 screws.

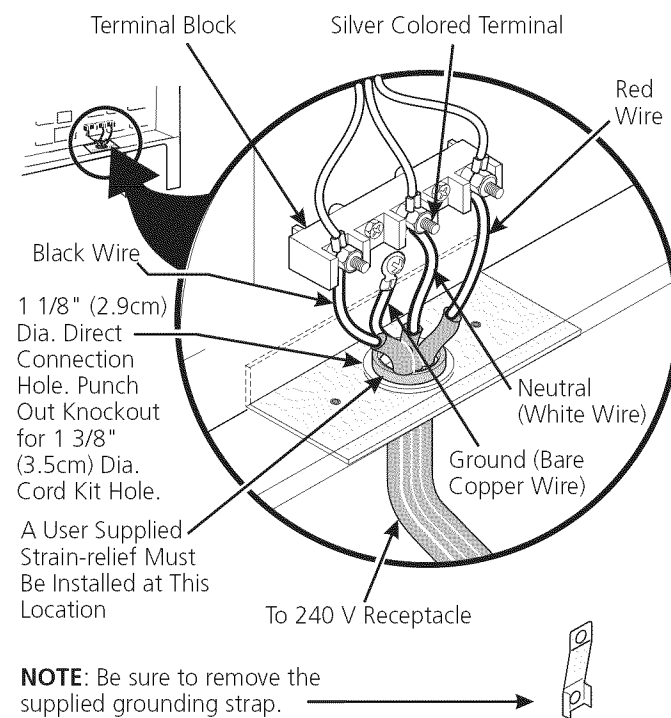


Figure 4

# 30" DUAL FUEL SLIDE-IN RANGE INSTALLATION INSTRUCTIONS

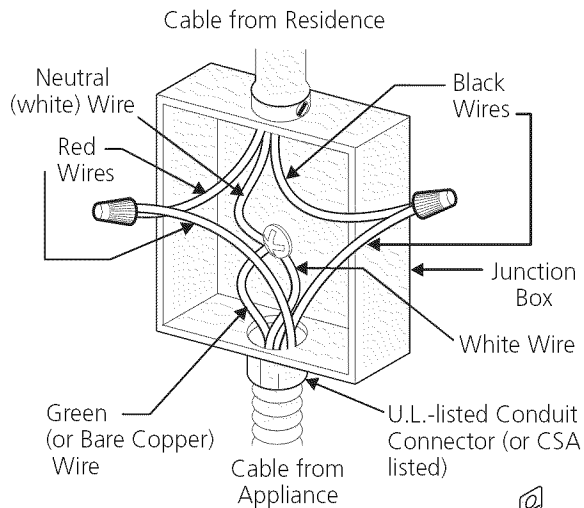
(Models with an Electric Oven and a Gas Cooktop)

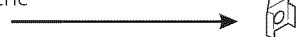
## Direct Electrical Connection to the Circuit Breaker, Fuse Box or Junction Box

If the appliance is connected directly to the circuit breaker, fuse box or junction box, use flexible, armored or nonmetallic sheathed copper cable (with grounding wire). Supply a U.L. listed strain-relief at each end of the cable. At the appliance end, the cable goes through the Direct Connection Hole (see Figure 5) on the Cord Mounting Plate. Wire sizes (**copper wire only**) and connections must conform to the rating of the appliance. A 50A time-delay fuse or circuit breaker is recommended (minimum 40A).

## Where local codes permit connecting the appliance-grounding conductor to the neutral (white) wire (see Figure 5):

1. Be sure that no power is supplied on the cable from residence.
2. Remove the grounding strap from the terminal block and from the appliance frame.
3. In the circuit breaker, fuse box or junction box:
  - a) Connect the green (or bare copper) wire, the white appliance cable wire, and the neutral (white) wire together.
  - b) Connect the 2 black wires together.
  - c) Connect the 2 red wires together.

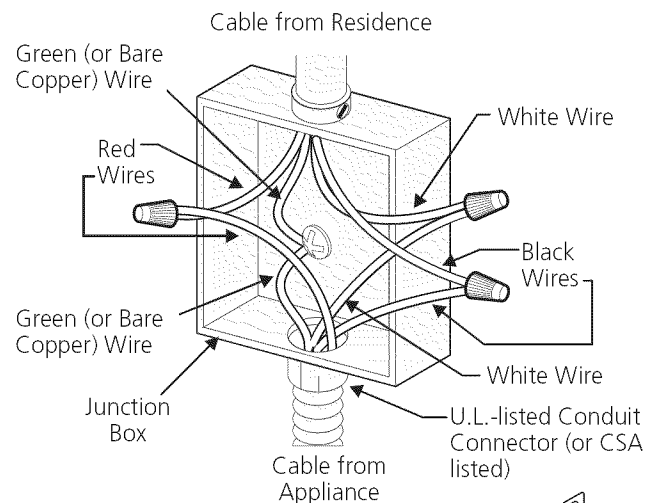



**NOTE:** Be sure to remove the supplied grounding strap. 

**Figure 5**  
**3-Wire (Grounded Neutral) Electrical System**  
**(Example: Junction Box)**

## Where local codes DO NOT permit connecting the appliance-grounding conductor to the neutral (white) wire, or if connecting to 4-wire electrical system (see Figure 6):

1. Be sure that no power is supplied on the cable from residence.
2. Remove the grounding strap from the terminal block and from the appliance frame.
3. In the circuit breaker, fuse box or junction box:
  - a) Connect the white appliance cable wire to the neutral (white) wire.
  - b) Connect the 2 black wires together.
  - c) Connect the 2 red wires together.
  - d) Connect the green (or bare copper) grounding wire to the grounding wire of the circuit breaker, fuse box or junction box.



**NOTE:** Be sure to remove the supplied grounding strap. 

**Figure 6 – 4-Wire Electrical System**  
**(Example: Junction Box)**

# 30" DUAL FUEL SLIDE-IN RANGE INSTALLATION INSTRUCTIONS

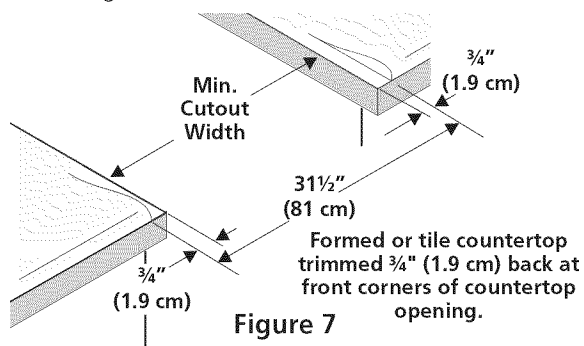
(Models with an Electric Oven and a Gas Cooktop)

## 4. Cabinet Construction

**CAUTION** To eliminate the risk of burns or fire by reaching over heated surface units, do not have cabinet storage space above the range. If there is cabinet storage space above range, reduce risk by installing a range hood that projects horizontally a minimum of 5" (12.7 cm) beyond the bottom of the cabinet.

### Countertop Preparation

- The cooktop sides of the range fit over the cutout edge of your countertop.
- If you have a **square finish (flat) countertop**, no countertop preparation is required. Cooktop sides lay directly on edge of countertop.
- **Formed front-edged countertops** must have molded edge shaved flat  $\frac{3}{4}$ " (1.9 cm) from each front corner of opening (Figure 7).
- **Tile countertops** may need trim cut back  $\frac{3}{4}$ " (1.9 cm) from each front corner and/or rounded edge flattened (Figure 7).



- If the existing cutout width is greater than  $30 \frac{1}{16}$ " (76,4 cm), reduce the  $\frac{3}{4}$ " (1.9 cm) dimension.
- **Countertop must be level.** Place a level on the countertop, first side to side, then front to back. If the countertop is not level, the range will not be level. The oven must be level for satisfactory baking results. Cooktop sides of range fit over edges of countertop opening.

## 5. Gas Supply – Installation

When shipped from the factory, this unit is designed to operate on 4" (10,16 cm) water column (1.0 kPa) Natural gas manifold pressure. A convertible pressure regulator is connected to the range manifold and **MUST** be connected in series with the gas supply line. To access the regulator, remove the drawer.

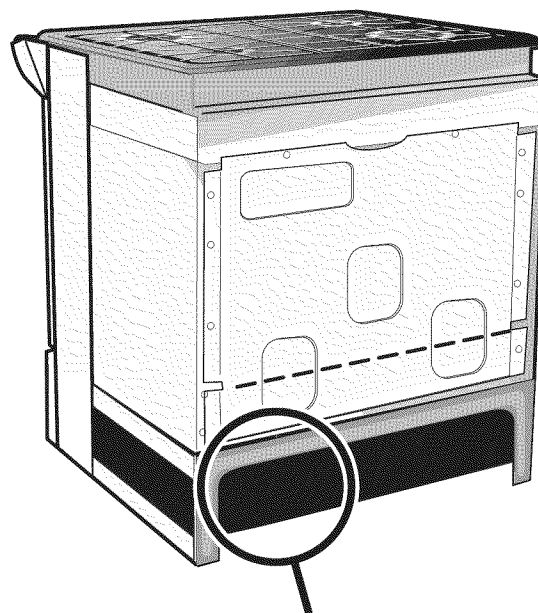
**For proper operation**, the maximum inlet pressure to the regulator should be no more than 14" (35,56 cm) of water column pressure (3.5 kPa).

The inlet pressure to the regulator must be at least 1" (.25 kPa) greater than the regulator manifold pressure setting. The regulator is set for 4" (10,16 cm) water column (1.0 kPa) Natural gas manifold pressure; the inlet pressure must be at least 5" (12.60 cm) water column (1.25 kPa) Natural gas. For LP/Propane gas, the regulator must be set for 10" (25,4 cm) water column (2.5 kPa) manifold pressure; the inlet pressure must be at least 11" (27,9 cm) water column (2.75 kPa).

The supply line should be equipped with an approved shutoff valve (see Figure 10). This valve should be located in the same room as the range and should be in a location that allows ease of opening and closing. Do not block access to the shutoff valve. The valve is for turning on or shutting off gas to the appliance. Open the shutoff valve in the gas supply line. Wait a few minutes for gas to move through the gas line.

The gas supply between the shutoff valve and the regulator may be connected by rigid piping or by A.G.A./C.G.A.-approved flexible metallic union-connected piping where local codes permit use.

The gas supply piping can be through the side wall of the right cabinet. The right side cabinet is an ideal location for the main shutoff valve.



PRESSURE REGULATOR LOCATION

Figure 8

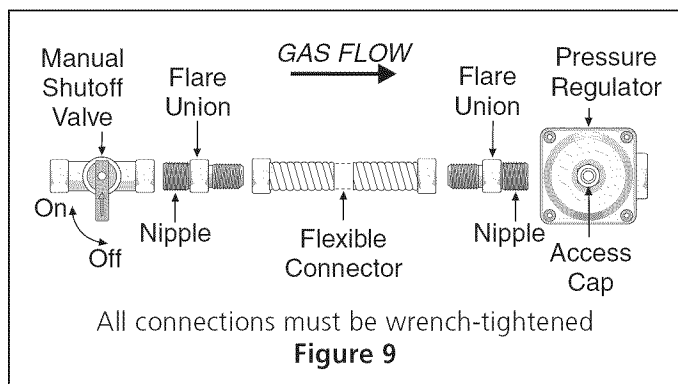
### Connection to Pressure Regulator

The regulator is already installed on the appliance.

**CAUTION** Do not make the connection too tight. The regulator is die cast. Overtightening may crack the regulator resulting in a gas leak and possible fire or explosion.

# 30" DUAL FUEL SLIDE-IN RANGE INSTALLATION INSTRUCTIONS

(Models with an Electric Oven and a Gas Cooktop)



Assemble the flexible connector from the gas supply pipe to the pressure regulator in the following order:

1. manual shutoff valve (not supplied)
2. 1/2" nipple (not supplied)
3. 1/2" flare union adapter (not supplied)
4. flexible connector (not supplied)
5. 1/2" flare union adapter (not supplied)
6. 1/2" nipple (not supplied)
7. pressure regulator (supplied)

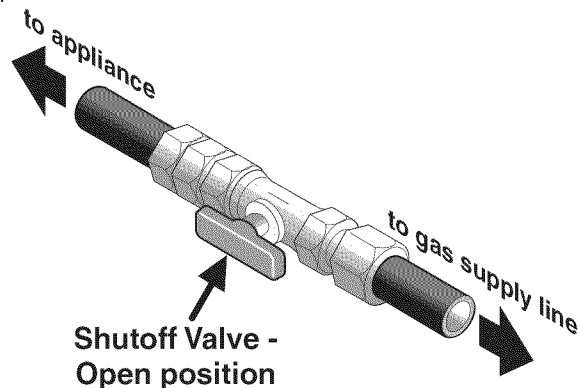
The gas supply line to the shutoff valve should be 1/2" (1,27 cm) or 3/4" (1.9 cm) solid pipe.

The user must know the location of the main shutoff valve and have easy access to it.

When using flexible gas conduit on the range, allow sufficient slack to pull the range outside the cutout for cleaning or servicing.

**NOTE:** Do not allow the flexible conduit to get pinched between the wall and the range. To visually check, remove the range drawer.

Use pipe-joint compound made for use with Natural and LP/Propane gas to seal all gas connections. If flexible connectors are used, be certain connectors are not kinked.



The supply line must be equipped with an approved manual shutoff valve. This valve should be located in the same room as the range and should be in a location that allows ease of opening and closing. Do not block access to the shutoff valve. The valve is for turning on or shutting off gas to the appliance.

Once regulator is in place, open the shutoff valve in the gas supply line. Wait a few minutes for gas to move through the gas line.

**Leak testing of the appliance shall be conducted according to the manufacturer's instructions.**

**Check for leaks.** After connecting the range to the gas supply, check the system for leaks with a manometer. If a manometer is not available, turn on the gas supply and use a liquid leak detector at all joints and connections to check for leaks.

**⚠ WARNING** Do not use a flame to check for leaks from gas connections. Checking for leaks with a flame may result in a fire or explosion.

All openings in the wall or floor where the range is to be installed must be sealed.

**Tighten all connections** if necessary to prevent gas leakage in the cooktop or supply line.

**Disconnect this range and its individual shutoff valve** from the gas supply piping system during any pressure testing of the system at test pressures greater than 1/2 psig (3.5 kPa or 14" (35,56 cm) water column).

**Isolate the range from the gas supply piping system** by closing its individual manual shutoff valve during any pressure testing of the gas supply piping system at test pressures equal to or less than 1/2 psig (3.5 kPa or 14" (35,56 cm) water column).

## 6. LP/Propane Gas Conversion

This appliance can be used with Natural gas or LP/Propane gas. It is shipped from the factory for use with natural gas.

If you wish to convert your range for use with LP/Propane gas, use the supplied fixed orifices located in a bag containing the literature marked "FOR LP/PROPANE GAS CONVERSION." Follow the instructions packaged with the orifices.

The conversion must be performed by a qualified service technician in accordance with the manufacturer's instructions and all local codes and requirements. Failure to follow these instructions could result in serious injury or property damage. The qualified agency performing this work assumes responsibility for the conversion.

**⚠ WARNING** Failure to make the appropriate conversion can result in personal injury and property damage.

# 30" DUAL FUEL SLIDE-IN RANGE INSTALLATION INSTRUCTIONS

(Models with an Electric Oven and a Gas Cooktop)

## 7. Moving the Appliance for Servicing and Cleaning

Turn off the range line fuse or circuit breakers at the main power source, and turn off the manual gas shut-off valve. Make sure the range is cold. Remove the service drawer (warmer drawer on some models) and open the oven door. Lift the range at the front and slide it out of the cut-out opening without creating undue strain on the flexible gas conduit. Make sure not to pinch the flexible gas conduit at the back of the range when replacing the unit into the cut-out opening. Replace the drawer, close the door and switch on the electrical power and gas to the range.

## 8. Range Installation

**Important Note:** Door removal is not a requirement for installation of the range, but is an added convenience. Refer to the Use and Care Guide for oven door removal instructions.

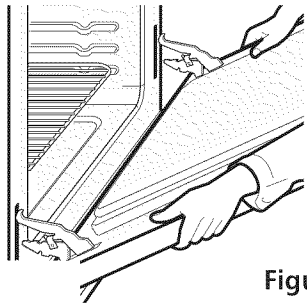


Figure 11

### Standard Installation

1 The range cooktop overlaps the countertop at the sides and the range rests on the floor. The cooktop is 31½" (80 cm) wide.

2 Install base cabinets 30" (76.2 cm) apart. Make sure they are plumb and level before attaching cooktop. Shave raised countertop edge to clear 31½" (80 cm) wide range top rim.

3 Install cabinet doors 31" (78.7 cm) min. apart so as not to interfere with range door opening.

4 Cutout countertop exactly as shown on page 1.

5 Make sure the four leveling legs are setup higher than the height of the cabinet (shown on page 3).

**CAUTION** Install the anti-tip bracket at this point before placing the range at its final position. Follow the installation instructions on page 13 or on the anti-tip bracket template supplied with the range.

7 To provide an optimum installation, the top surface of the countertop must be level and flat (lie on the same plane) around the 3 sides that are adjacent to range cooktop. Proper adjustments to make the top flat should be made or gaps between the countertop and the range cooktop may occur.

**CAUTION** To reduce the risk of damaging your appliance, do not handle or manipulate it by the cooktop. Manipulate with care.

9 Position range in front of the cabinet opening.

10 Make sure that the underside of the cooktop clears the countertop. If necessary, raise the unit by lowering the front leveling legs and the back leveling wheels.

11 **Level the range** (see section 9). The floor where the range is to be installed must be level. Follow the instructions under "Leveling the Range".

12 Slide the range into the cutout opening.

### **IMPORTANT** If Accessories Needed :

#### Installation With Backguard

The cutout depth of (21 3/4" (55.2 cm)Min., 22 1/8" (56.2cm) Max.) needs to be increased to 24" (61 cm) when installing a backguard.

#### Installation With End Panel

A End Panel kit can be ordered through a Service Center.

#### Installation With Side Panels

A Side Panels kit can be ordered through a Service Center. Note: Install cabinet doors 31" (78.7 cm) min. apart so as not to interfere with range door opening.



# 30" DUAL FUEL SLIDE-IN RANGE INSTALLATION INSTRUCTIONS

(Models with an Electric Oven and a Gas Cooktop)

## 9. Leveling the Range -

Level the range and set cooktop height before installation in the cut-out opening.

1. Install an oven rack in the center of the oven.
2. Place a level on the rack (see figure 12). Take 2 readings with the level placed diagonally in one direction and then the other. Level the range, if necessary, by adjusting the 4 leg levelers with a wrench.
3. Taking care to not damage the countertop, slide range into cut-out opening and double check for levelness.

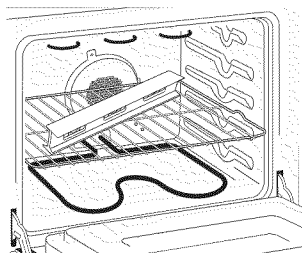


Figure 12

## 10. Check Operation

Refer to the Use and Care Guide packaged with the range for operating instructions and for care and cleaning of your range.

Do not touch the elements or burners. They may be hot enough to cause burns.

Remove all packaging from the oven before testing.

### 1. Install Burner Caps and Grates

This range is equipped with sealed burners as shown (see Figure 13).

1. Remove all packaging material.
2. Discard the packaging material (if needed).
3. Install the burner grates and burners caps on the unit burners.

**NOTE:** There are no burner adjustments necessary on this range.

### 2. Turn on Electrical Power and Open Main Shutoff Gas Valve

### 3. Check the Igniters

Operation of electric igniters should be checked after range and supply line connectors have been carefully checked for leaks and range has been connected to electric power. To check for proper lighting:

1. Push in and turn a surface burner knob to the LITE position. You will hear the igniter sparking.
2. The surface burner should light when gas is available to the top burner. Each burner should light within four (4) seconds in normal operation after air has been purged from supply lines. Visually check that burner has lit.
3. Once the burner lights, the control knob should be rotated out of the LITE position.

There are separate ignition devices for each burner. Try each knob separately until all burner valves have been checked.

## 4. Adjust the "LOW" Setting of Surface Burner Valves (see Figure 13)

- a. Push in and turn each control to LITE until burner ignites.
- b. **Quickly** turn knob to LOWEST POSITION.
- c. If burner goes out, readjust valve as follows: Reset control to OFF. Remove the surface burner control knob, insert a thin-bladed screw driver into the hollow valve stem and engage the slotted screw inside. Flame size can be increased or decreased with the turn of the screw. Adjust flame until you can quickly turn knob from LITE to LOWEST POSITION without extinguishing the flame. Flame should be as small as possible without going out.

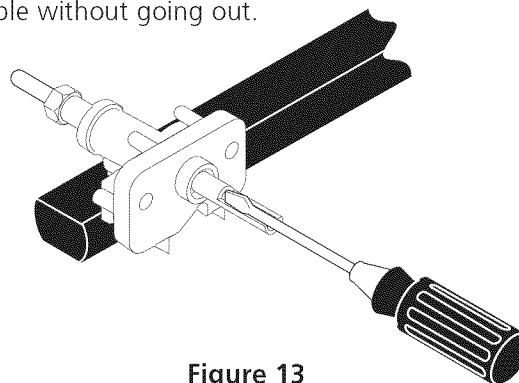


Figure 13

## 5. Adjust the "LOW" setting of the dual valve (Fig. 14)

Note: On the dual valve the low setting of each portion should be adjusted individually.

- a. Push in and turn control to LITE until the rear portion of the bridge burner ignites only.
- b. Quickly turn knob to LOWEST POSITION.
- c. If burner goes out, reset control to OFF.
- d. Remove the surface burner control knob.
- e. The rear portion of the bridge burner flame size can be increased or decreased with the turn of the screw A. Use screw B to adjust the flame size of the center portion of the bridge burner. Turn counterclockwise the screw to increase flame size. Turn clockwise the screw to decrease flame size. Adjust flame until you can quickly turn knob from LITE to LOWEST POSITION without extinguishing the flame. Flame should be as small as possible without going out.

Note: Air mixture adjustment is not required on surface burners.

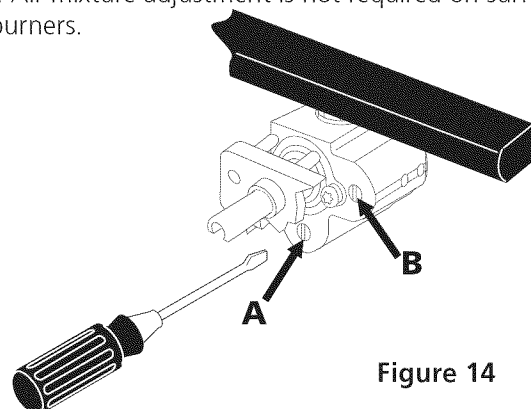


Figure 14

# 30" DUAL FUEL SLIDE-IN RANGE INSTALLATION INSTRUCTIONS

(Models with an Electric Oven and a Gas Cooktop)

## 6. Operation of Oven Elements

The oven is equipped with an electronic oven control. Each of the functions has been factory checked before shipping. However, it is suggested that you verify the operation of the electronic oven controls once more. Refer to the Electronic Oven Control Guide for operation. Follow the instructions for the Clock, Timer, Bake, Broil, Convection (some models) and Clean functions.

**Bake**—After setting the oven to 350°F (177°C) for baking, the lower element in the oven should become red.

**Broil**—When the oven is set to BROIL, the upper element in the oven should become red.

**Clean**—When the oven is set for a self-cleaning cycle, the upper element should become red during the preheat portion of the cycle. After reaching the self-cleaning temperature, the lower element will become red.

**Convection (some models)**—When the oven is set to CONV. BAKE/ROAST at 350°F (177°C), the convection element cycles on and off and the convection fan turns. The convection fan will stop turning when the oven door is opened during convection baking or roasting.

**Warmer Drawer (some models)**—Set the control knob to HI and check to see the drawer is heating.

## When All Hookups are Complete

Make sure all controls are left on the OFF position.

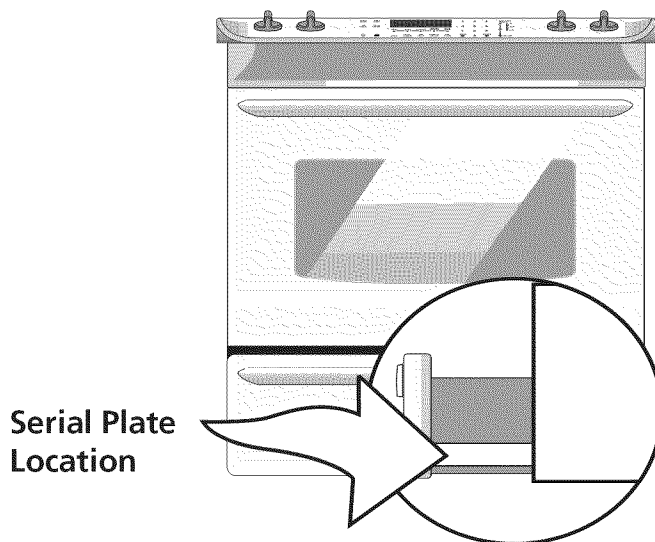
Make sure the flow of combustion and ventilation air to the range is unobstructed.

## Model and Serial Number Location

The serial plate is located on the oven front frame behind the oven door (some models) or on the drawer side frame (some models).

When ordering parts for or making inquiries about your range, always be sure to include the model and serial numbers and a lot number or letter from the serial plate on your range.

Your serial plate also tells you the rating of the burners, the type of fuel and the pressure the range was adjusted for when it left the factory.



## Before You Call for Service

Read the Avoid Service Checklist and operating instructions in your Use and Care Guide. It may save you time and expense. The list includes common occurrences that are not the result of defective workmanship or materials in this appliance.

Refer to the warranty and service information in your Use and Care Guide for phone number and address. Please call or write if you have inquiries about your range product and/or need to order parts.

# 30" DUAL FUEL SLIDE-IN RANGE INSTALLATION INSTRUCTIONS

(Models with an Electric Oven and a Gas Cooktop)

## 11. Anti-Tip Brackets Installation Instructions

**⚠ WARNING** To reduce the risk of tipping of the range, the range must be secured to the floor by properly installed anti-tip brackets and screws packed with the range. Those parts are located in a plastic bag in the oven. Failure to install the anti-tip brackets will allow the range to tip over if excessive weight is placed on an open door or if a child climbs upon it. Serious injury might result from spilled hot liquids or from the range itself.

Follow the instructions below to install the anti-tip brackets.

If range is ever moved to a different location, the anti-tip brackets must also be moved and installed with the range. To check for proper installation, see step 5.

### Tools Required:

5/16" (0,79 cm) Nutdriver or Flat Head Screwdriver

Adjustable Wrench

Electric Drill

3/16" (0,48 cm) Diameter Drill Bit

3/16" (0,48 cm) Diameter Masonry Drill Bit (if installing in concrete)

Brackets attach to the floor at the back of the range to hold both rear leg levelers. When fastening to the floor, be sure that screws do not penetrate electrical wiring or plumbing. The screws provided will work in either wood or concrete.

1. Unfold paper template and place it flat on the floor with the back and side edges positioned exactly where the back and sides of range will be located when installed. (Use the diagram below to locate brackets if template is not available (Figure 15)).
2. Mark on the floor the location of the 4 mounting holes shown on the template. For easier installation, 3/16" (0.5 cm) diameter pilot holes 1/2" (1,27 cm) (1.3 cm) deep can be drilled into the floor.
3. Remove template and place brackets on floor with turned up flange to the front. Line up holes in brackets with marks on floor and attach with 4 screws provided. Brackets must be secured to solid floor. If attaching to concrete floor, first drill 3/16" (0.5 cm) dia. pilot holes using a masonry drill bit.
4. Level range if necessary, by adjusting 4 leg levelers with wrench. (See Figure 16 below.) A minimum clearance of 1/8" (0.8 cm) is required between the bottom of the range and the rear leg levelers to allow room for the anti-tip brackets.
5. Slide range into place making sure rear legs are trapped by ends of brackets. Range may need to be shifted slightly to one side as it is being pushed back to allow rear legs to align with brackets. You may also grasp the top rear edge of the range and carefully attempt to tilt it forward to make sure range is properly anchored.

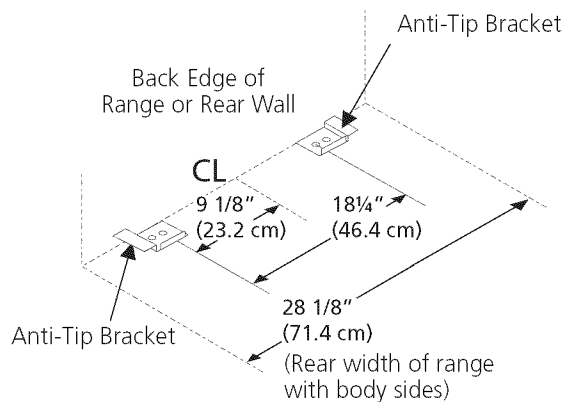


Figure 15

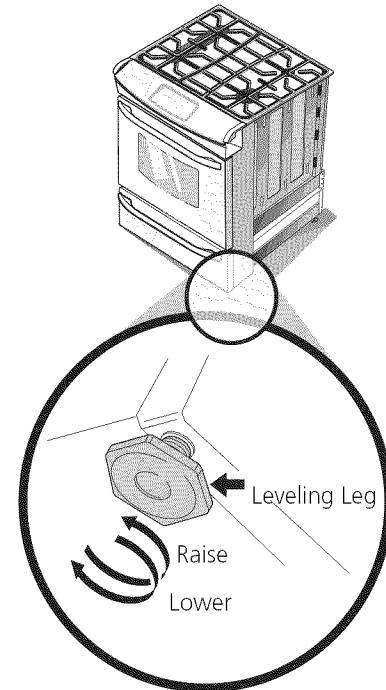
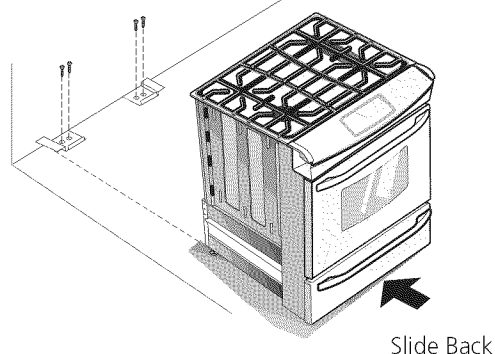


Figure 16



Slide Back

# INSTRUCCIONES DE INSTALACIÓN PARA LA ESTUFA DE FUEL DUAL DE 30"

(Para Modelos con un Horno Eléctrico y una Estufa a Gas)

LA INSTALACIÓN Y EL SERVICIO DEBEN SER EFECTUADOS POR UN INSTALADOR CALIFICADO. IMPORTANTE: GUARDE ESTAS INSTRUCCIONES PARA USO DEL INSPECTOR LOCAL DE ELECTRICIDAD. LEA Y GUARDE ESTAS INSTRUCCIONES PARA REFERENCIA FUTURA.



Refierase a su placa de serie para la certificación de la agencia aplicable

**ADVERTENCIA** Si la información contenida en este manual no es seguida exactamente, puede ocurrir un incendio o explosión causando daños materiales, lesión personal o la muerte.

**PARA SU SEGURIDAD:**

- No almacene ni utilice gasolina u otros vapores y líquidos inflamables en la proximidad de éste o de cualquier otro artefacto.
- **QUE DEBE HACER SI PERCIBE OLOR A GAS:**
  - No trate de encender ningún artefacto.
  - No toque ningún interruptor eléctrico; no use ningún teléfono en su edificio.
  - Llame a su proveedor de gas desde el teléfono de un vecino. Siga las instrucciones del proveedor de gas.
  - Si no logra comunicarse con su proveedor de gas, llame al departamento de bomberos.
- La instalación y el servicio de mantenimiento deben ser efectuados por un instalador calificado, la agencia de servicio o el proveedor de gas.

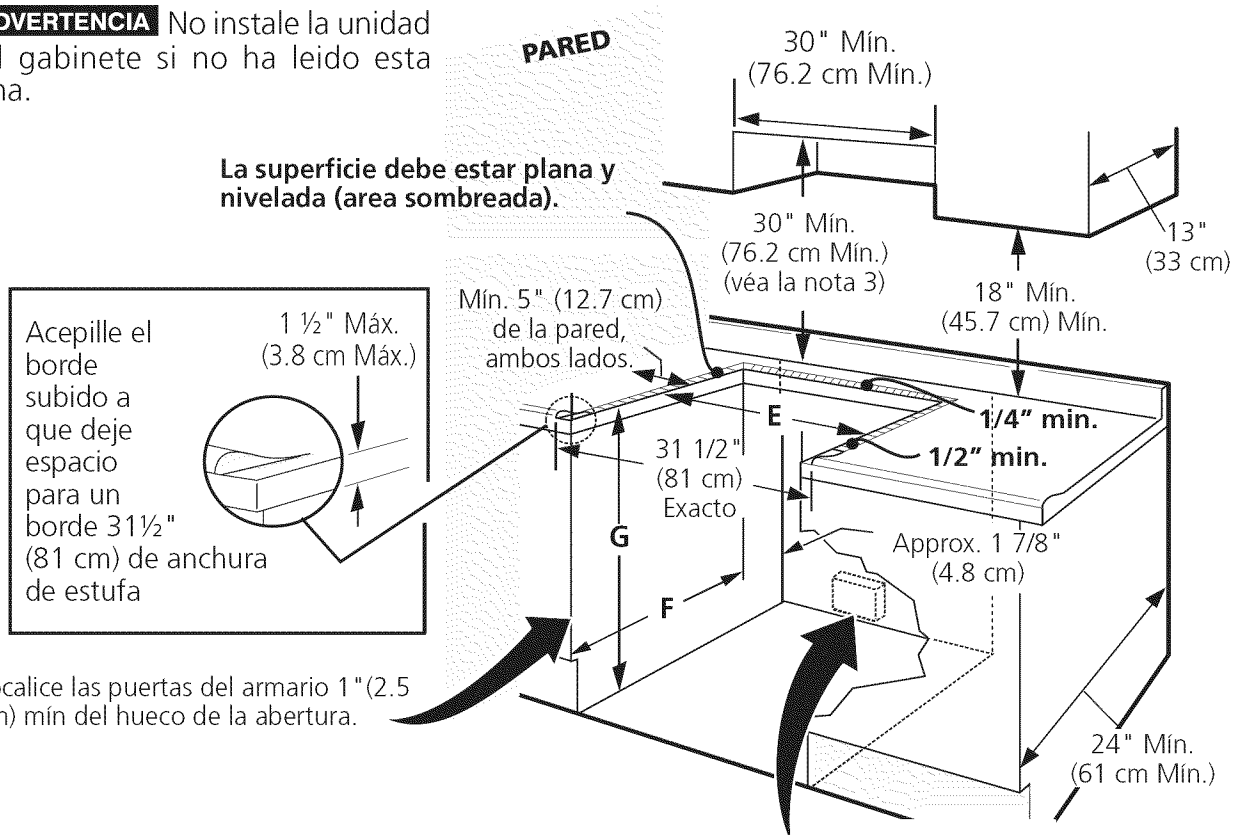
**Aparatos Instalados en el estado de Massachusetts;**

Este Aparato sólo puede ser instalado en el estado de Massachusetts por un plomero o ajustados de gas licenciado de Massachusetts.

Este aparato se debe instalar con un largo conector flexible de gas de tres (3) pies/36 pulgadas.

Una válvula manual de gas de tipo manija de forma de "T" se debe instalar en la línea del suministro de gas de este aparato.

**ADVERTENCIA** No instale la unidad en el gabinete si no ha leído esta página.



La caja de empalmes o el enchufe con puesta a tierra debería situarse de 8" a 17" (20.3 cm a 43.2 cm) del armario derecho y de 2" a 4" (5.1 cm a 10.2 cm) del suelo.

A. ALTURA (Debajo de la cubierta)	B. ANCHURA	C. ANCHURA DE LA PLANCHA DE COCINAR	D. PROFUNDIDAD A LA FRENTE DE LA ESTUFA	E. ANCHURA DE RECORTADO*** (encima y armario)	F. PROFUNDIDAD DE RECORTADO	G. ALTURA DEL MOSTRADOR
35 7/8" (91,1 cm) 36 5/8" (93 cm)	30" (76,2 cm)	31 1/2" (80 cm)	28 5/16" (71,9 cm)	30±1/16" (76,2±0,15 cm)	21 3/4" (55,2 cm) Min. 22 1/8" (56,2 cm) Max 24" (61 cm) Min. con un protector trasero.	35 7/8" (91,1 cm) Min. 36 5/8" (93 cm) Max.

**NOTA:** Se adjunta el diagrama de cables de esta cocina al final de este libreta.

Imprimido en los Estados Unidos

P/N 318201679 (0902) Rev. A

English – pages 1-13

Español – páginas 14-26

Français – pages 27-39

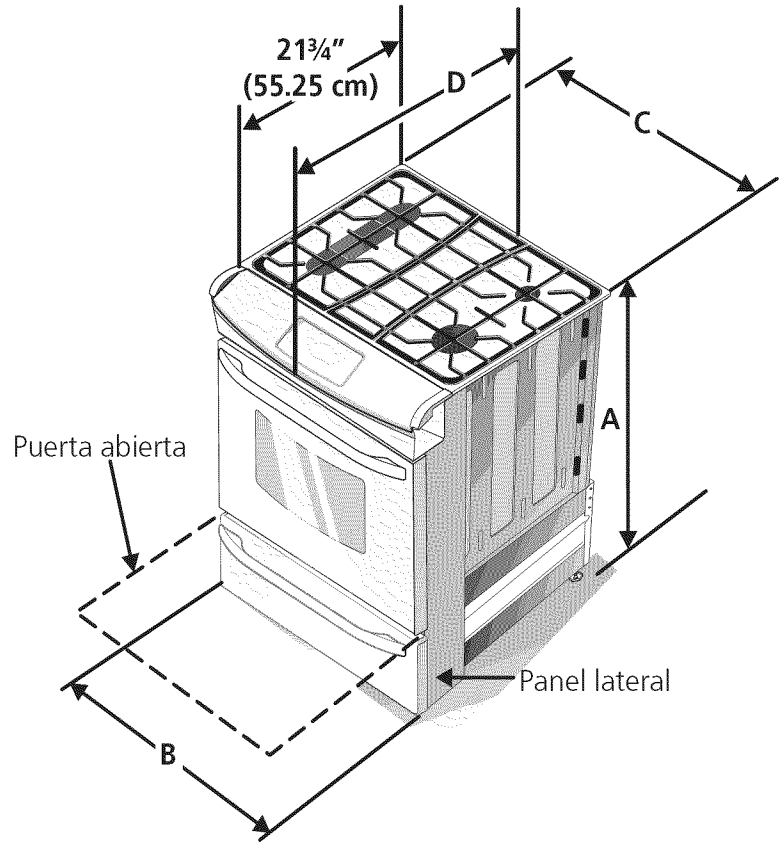
Diagrama de la instalación alámbrica - páginas 40

# INSTRUCCIONES DE INSTALACIÓN PARA LA ESTUFA DE FUEL DUAL DE 30"

(Para Modelos con un Horno Eléctrico y una Estufa a Gas)

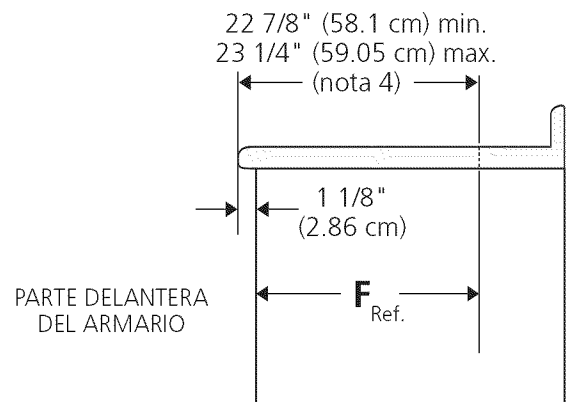
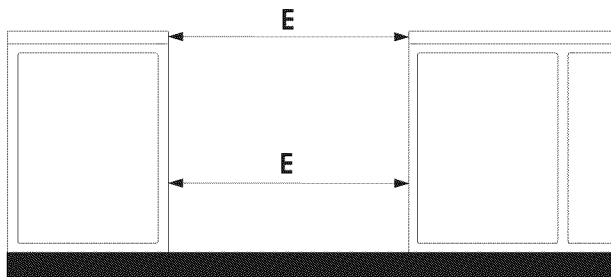
## NOTAS:

1. No pellizque el cordón eléctrico o el conducto flexible de gas entre la estufa y la pared.
2. No selle la estufa a los armarios de lado.
3. Un espacio mínimo de 24" (61 cm) entre la superficie de la estufa y el fondo del armario cuando el fondo del armario de madera o metal está protegido por no menos de 1/4" (0.64 cm) de madera resistente al fuego cubierta por una lámina metálica de MSG, número 28, 0.015" (0.4 mm) de acero inoxidable, 0.024" (0.6 mm) de aluminio, o 0.02" (0.5 mm) de cobre.  
Un espacio mínimo de 30" (76.2 cm) cuando el armario no está protegido.
4. Para los recortados menos que 22 7/8", el electrodoméstico aparecería ligeramente en el exterior del armario.
5. Deje por los 19 1/4" (48.9 cm) de espacio libre para la profundidad de la puerta cuando esta abierta.



**\*\*\* IMPORTANTE:** Para el corte a lo ancho (dimensión E) de más de 30 1/16" (76,4 cm) para evitar que se rompa el vidrio, asegúrese que el artefacto esté centrado en la abertura de la mesada mientras lo presiona. Levante las patas de nivelación hasta la posición máxima; inserte el artefacto en la mesada y luego nivele. Asegúrese de que la unidad esté apoyada en las patas de nivelación y no en el vidrio liso.

**IMPORTANTE:** El ancho de la cubierta y el armario debe de ser igual al ancho del corte.

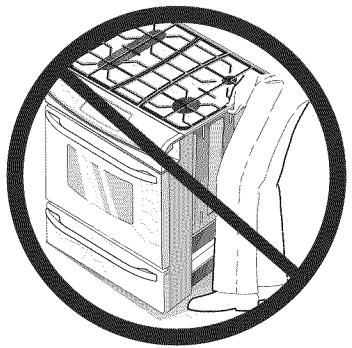


A. ALTURA (Debajo de la cubierta)	B. ANCHURA	C. ANCHURA DE LA PLANCHA DE COCINAR	D. PROFUNDIDAD A LA FRENTE DE LA ESTUFA	E. ANCHURA DE RECORTADO*** (encima y armario)	F. PROFUNDIDAD DE RECORTADO	G. ALTURA DEL MOSTRADOR
35 7/8" (91,1 cm) 36 5/8" (93 cm)	30" (76,2 cm)	31 1/2" (80 cm)	28 5/16" (71,9 cm)	30±1/16" (76,2±0,15 cm)	21 3/4" (55,2 cm) Min. 22 1/8" (56,2 cm) Max 24" (61 cm) Min. con un protector trasero.	35 7/8" (91,1 cm) Min. 36 5/8" (93 cm) Max.

# INSTRUCCIONES DE INSTALACIÓN PARA LA ESTUFA DE FUEL DUAL DE 30"

(Para Modelos con un Horno Eléctrico y una Estufa a Gas)

## Para evitar fractura de la unidad: NO manipule la unidad sosteniendo la cubierta de vidrio.

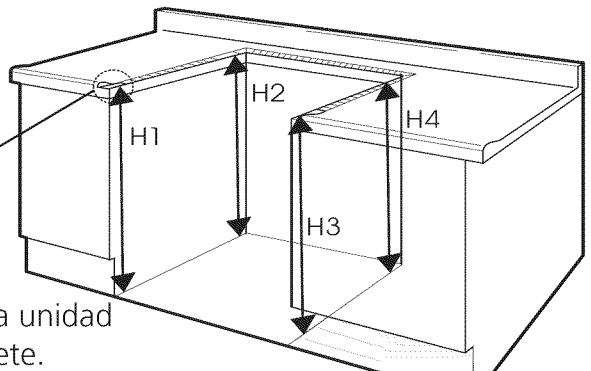
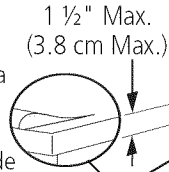


**1** La cubierta alrededor del espacio donde usted instalara su unidad debe de estar plana y nivelada (Vea el área sombreada en la figura 1).

**2** Antes de instalar la unidad, mida la altura de los dos (2) lados de los gabinetes (H1-4), frente y parte trasera (vea la figura 1) del piso a lo alto de la cubierta.

Nivele la estufa usando las 4 patas niveladoras de manera que la altura del piso a la superficie interior de la cubierta de vidrio es mayor que la altura del gabinete mas alto de su mobiliario de cocina por lo menos por 1/16" (vea la figura 2).

Lime el borde levantado para dejar espacio para una unidad con un dimensión de 31 1/2" (81 cm).

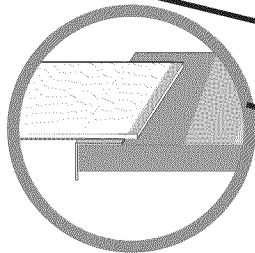
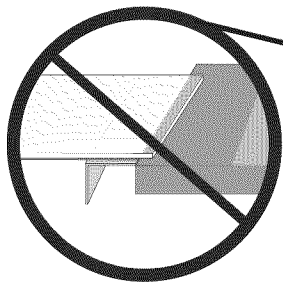
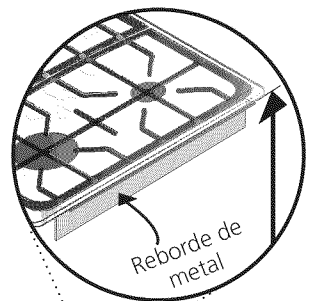


**3** Deslice la unidad hacia el gabinete. Asegúrese que la unidad este centrada con el centro de la abertura del gabinete.

**5** Remueva la parte en plástico extruido en cada lado de la cubierta de vidrio (Algunos modelos).

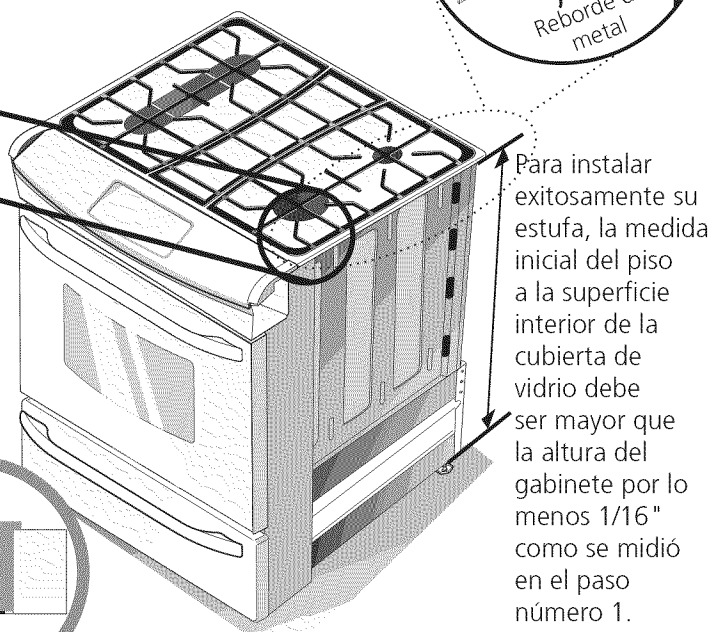
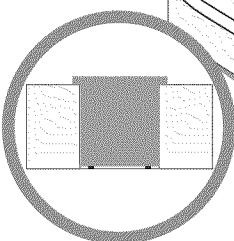
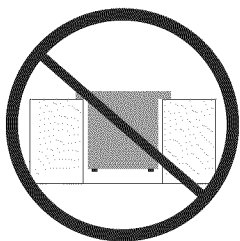
Es imprescindible que el reborde de metal que se encuentra debajo de la cubierta este sobre la cubierta del gabinete. La cubierta de vidrio no deberá tocar directamente la cubierta del gabinete (vea figura 2) de no ser asi la fractura del vidrio anulará la garantía. Nivele la unidad si es necesario.

**6**



Después de la instalación, ASEGURESE que la unidad este sostenida por las patas niveladoras y NO por la cubierta.

**7**



Para instalar exitosamente su estufa, la medida inicial del piso a la superficie interior de la cubierta de vidrio debe ser mayor que la altura del gabinete por lo menos 1/16" como se midió en el paso número 1.

Figura 2



# INSTRUCCIONES DE INSTALACIÓN PARA LA ESTUFA DE FUEL DUAL DE 30"

(Para Modelos con un Horno Eléctrico y una Estufa a Gas)

## Notas importantes para el Instalador

1. Lea todas las instrucciones contenidas en este manual antes de instalar la estufa.
2. Saque todo el material usado en el embalaje del compartimiento del horno antes de conectar el suministro eléctrico o de gas a la estufa.
3. Observe todos los códigos y reglamentos pertinentes.
4. Deje estas instrucciones con el comprador.
5. Nota: Para la utilización a más de 2 000 pies de altura, la potencia del aparato deberá ser reducida de 4 por ciento a cada 1 000 pies adicionales.

## Nota Importante para el Consumidor

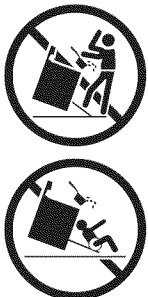
Conserve estas instrucciones y el Manual del Usuario para referencia futura.

# IMPORTANTES INSTRUCCIONES DE SEGURIDAD

**⚠ ADVERTENCIA** Los controles eléctricos pueden ser dañados con frías temperaturas. Cuando utilice su estufa por la primera vez, o si no ha sido utilizada por mucho tiempo asegúrese que no haya sido expuestas a temperaturas más altas que 32°F / 0°C por más de 3 horas antes de conectar su electrodoméstico al suministro eléctrico.

Instalación de esta estufa debe cumplir con todos los códigos locales, o en ausencia de códigos locales con el Código Nacional de Gas Combustible ANSI Z223.1—última edición. El diseño de esta estufa ha sido certificado por la CSA Internacional. En éste como en cualquier otro artefacto que use gas y genere calor, hay ciertas precauciones de seguridad que usted debe seguir. Estas serán encontradas en el Manual del Usuario, léalo cuidadosamente.

- **Asegúrese de que la estufa sea instalada y conectada a tierra en forma apropiada por un instalador calificado o por un técnico.**
- **Esta estufa debe ser eléctricamente puesta a tierra de acuerdo con los códigos locales, o en su ausencia, con el Código Eléctrico Nacional ANSI/NFPA No. 70, última edición en los Estados Unidos, o el código Eléctrico Canadiense CSA Standard C22.1, Part 1, en Canadá.**
- La instalación de aparatos diseñados para instalación en casas prefabricadas (móviles) debe conformar con el Manufactured Home Construction and Safety Standard, título 24CFR, parte 3280 [Anteriormente el Federal Standard for Mobil Home Construction and Safety, título 24, HUD (parte 280)] o cuando tal estándar no se aplica,

	<b>⚠ ADVERTENCIA</b> <ul style="list-style-type: none"><li>• Todas las estufas pueden volcarse.</li><li>• Esto podría resultar en lesiones personales.</li><li>• Instale el dispositivo antivuelco que se ha empacado junto con esta estufa.</li></ul>	<b>⚠ ADVERTENCIA</b> <p>Para reducir el riesgo de que se vuelque la estufa, hay que asegurarla adecuadamente colóndole los soportes antivuelco que se proporcionan. Para comprobar si estos están instalados y apretados en su lugar como se debe, ase el borde trasero superior de la estufa y cuidadosamente incline la hacia adelante para asegurar que la estufa se ancle.</p>
---	--	--

el Standard for Manufactured Home Installation 1982 (Manufactured Home sites, Communities and Setups), ANSI Z225.1/NFPA 501A-edición más reciente, o con los códigos locales.

- **Antes de instalar la estufa en un área cuyo piso este recubierto con linóleo u otro tipo de piso sintético, asegúrese de que éstos puedan resistir una temperatura de por lo menos 90°F sobre la temperatura ambiental sin provocar encogimiento, deformación o decoloración.** No instale la estufa sobre una alfombra al menos que coloque una plancha de material aislante de por lo menos 1/4 pulgada, entre la estufa y la alfombra.
- **Asegúrese de que el material que recubre las paredes alrededor de la estufa, pueda resistir el calor generado por la estufa.**
- **No obstruya el flujo del aire de combustión en la ventilación del horno ni tampoco alrededor de la base o debajo del panel inferior delantero de la estufa.** Evite tocar las aberturas o áreas cercanas de la ventilación, ya que pueden estar muy calientes durante el funcionamiento del horno. La estufa requiere aire fresco para la combustión apropiada de los quemadores.

**⚠ ADVERTENCIA** **Nunca deje niños solos o desatendidos en un área donde un artefacto está siendo usado.** A medida que los niños crecen, enséñeles el uso apropiado y de seguridad para todos los artefactos. Nunca deje la puerta del horno abierta cuando la estufa está desatendida.

**⚠ ADVERTENCIA** **No se pare, apoye o siente en las puertas o cajones de esta estufa pues puede resultar en serias lesiones y puede también causar daño a la estufa.**

- **No almacene artículos que puedan interesar a los niños en los gabinetes sobre la estufa.** Los niños pueden quemarse seriamente tratando de trepar a la estufa para alcanzar estos artículos.
- **Los gabinetes de almacenamiento sobre la estufa deben ser evitados, para eliminar la necesidad de tener que pasar sobre los quemadores superiores de la estufa para llegar a ellos.**
- **Ajuste el tamaño de la llama de los quemadores superiores de tal manera que ésta no sobrepase el borde de los utensilios de cocinar.** La llama excesiva es peligrosa.
- **No use el horno como espacio de almacenaje.** Esto creará una situación potencialmente peligrosa.
- **Nunca use la estufa para calentar el cuarto.** El uso prolongado de la estufa sin la adecuada ventilación puede resultar peligroso.
- **No almacene ni utilice gasolina u otros vapores y líquidos inflamables en la proximidad de éste o de cualquier otro artefacto eléctrico.** Puede provocar incendio o explosión.
- En caso de una interrupción del servicio eléctrico, es pasible de encender los quemadores de superficie a mano. Para encender un quemador de superficie, acerque un fósforo encendido del cabezal del quemador, y gire delicadamente el botón de control de superficie a LITE (encendido). Tener cuidado al encender los quemadores a mano.
- **Ajuste todos los controles a la posición "OFF" (apagada) después de haber hecho una operación con tiempo programado.**

## PARA MODELOS AUTOLIMPIANTES:

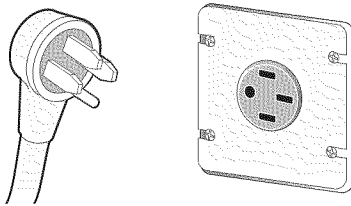
- **Saque la asadera, alimentos o cualquier otro utensilio antes de usar el ciclo de autolimpieza del horno.** Limpie todo exceso de derrame de alimentos. Siga las instrucciones de prelimpiado en el Manual del Usuario.

# INSTRUCCIONES DE INSTALACIÓN PARA LA ESTUFA DE FUEL DUAL DE 30"

(Para Modelos con un Horno Eléctrico y una Estufa a Gas)

## 1. Cordón de fuente de energía conectado de fábrica (Canadá solamente)

Esta estufa viene de fábrica equipada con un cordón de fuente de energía (vea a la figura 1). El cordón debe de ser conectado a una toma de corriente a tierra de 120/240 voltios o de 120/208 voltios. Si no hay una toma de corriente a tierra en la habitación, debe de ser instalada por un técnico calificado.



Estilo Canadá  
Figura 1

## 2. Estuche de cable del suministro eléctrico (U.S.A.)

El utilizador es responsable de la conexión del cable del suministro eléctrico al bloque de conexión situado detrás del panel de acceso.

El electrodoméstico se puede conectar a través de un cableado permanente "cableado duro"; cable de cobre blindado armado o cable no-metálico flexible (cuando el código local lo permite) o por medio de un kit de cable de alimentación. Vea la gráfica (en la página siguiente) para encontrar el tamaño mínimo del cable a utilizarse (el listado general de la UL, código local puede diferenciar).

**NOTA:** La cocina corrediza eléctrica viene de fábrica con un agujero de diámetro 1 1/8" (2.9 cm) como se muestra en la figura 4. Si un agujero mas largo está necesario retire la arandela de la pre-cortada.

**⚠ ADVERTENCIA** El riesgo de fuego o de choque eléctrico puede aparecer si usa el tamaño de cable incorrecto, si las instrucciones de instalación no son seguidas o si retira la abrazadera de releva.

Para casas sobre ruedas, nuevas instalaciones, en los vehículos de recreativos o en las lugares donde los códigos locales no permiten la conexión del conductor de tierra al neutro, un ensamble de suministro eléctrico de 4 conductores para estufas, calificado a 125/250 voltios mínimo, 30 Amperes mínimo, debe de ser utilizado (ver la figura 5).

**⚠ PRECAUCION** No desajuste las tuercas que aseguran la conexión de la cocina al bloque terminal cuando esté instalándola. El corte o la pérdida de corriente eléctrica puede ocurrir.

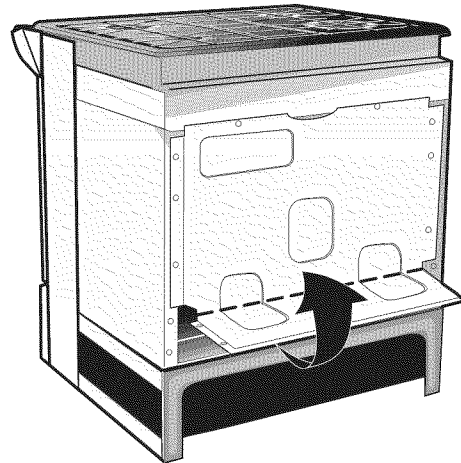
## ⚠ ADVERTENCIA

### Peligro de choque eléctrico

- La conexión a tierra es requerida para este electrodoméstico.
- No conecte al suministro eléctrico hasta que el electrodoméstico este conectado a tierra de manera permanente.
- Desconecte el suministro eléctrico hacia la caja de empalmes antes de hacer la conexión eléctrica.
- Este electrodoméstico debe ser conectado a un sistema de alambres permanentes, metálicos, conectados a tierra o una puesta a tierra debe ser conectada al terminal de tierra o un emplombado al electrodoméstico.

El no seguir ninguna de estas instrucciones podría causar fuego, heridas personales o choques eléctricos.

## 3. Acceso a la terminal del bloque y la correa de tierra (E.E. U.U.)



INCLINE AQUÍ LA CUBIERTA DEL ALAMBRE TRASERO PARA TENER ACCESO AL ACOPLAMIENTO ELÉCTRICO

Figura 2

**⚠ ADVERTENCIA** Este electrodoméstico fue fabricado con el marco aterrizado a través de una correa de conexión entre el neutral de la fuente de alimentación y el marco. Si es utilizado en los E.E. U.U., con un circuito nuevo de instalación (1996 NEC), en casa sobre ruedas o vehículo recreativo, donde el código local no permite el aterrizaje a través del cable neutro (blanco) o en Canadá; remueva la correa de aterrizaje del marco y corte el otro extremo, cerca de la terminal de neutral. Conecte el electrodoméstico de la forma usual.

# INSTRUCCIONES DE INSTALACIÓN PARA LA ESTUFA DE FUEL DUAL DE 30"

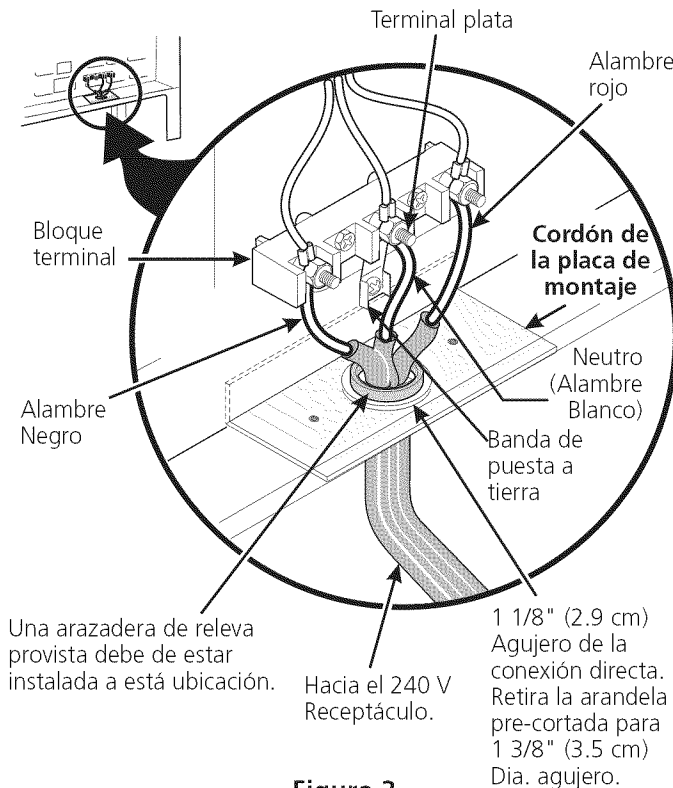
(Para Modelos con un Horno Eléctrico y una Estufa a Gas)

## 4. Conexión eléctrica a la cocina (Estados Unidos)

### Conexión del cable a tres alambres la cocina

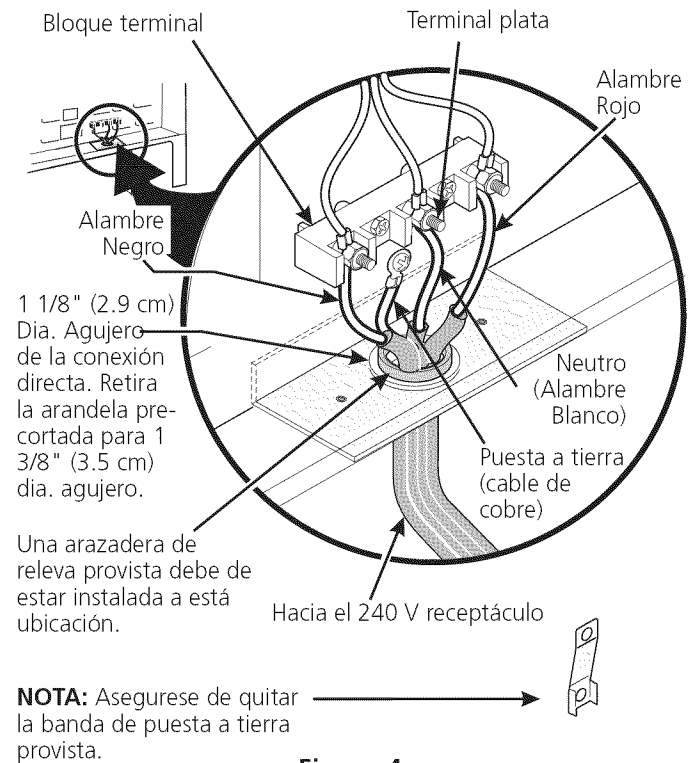
Si los códigos locales permiten la conexión del conductor a tierra del armazón al alambre neutral del cable de bronce del suministro eléctrico (vea figura 3).

1. Retire los 3 tornillos de la parte baja de la cubierta del cable trasero (cubierta de acceso), luego levante la cubierta hacia arriba para tener acceso al bloque de conexión del borne terminal (vea figura 2).
2. Utilizar los tuercas suministraron en el paquete de la literatura para conectar la parte neutral del cable de bronce de suministro eléctrico al terminal plateado que se encuentra al centro del bloque terminal y, conectar los otros alambres a los terminales externos. Aparee los alambres y los terminales según el color (alambres rojos conectados al terminal derecho, alambres negros conectados al terminal izquierdo) (vea figura 3).
3. Baje la cubierta del terminal y vuelva al colocar los 3 tornillos.



### Conexión del cable de cuatro conductores a la cocina.

1. Retire los 3 tornillos de la parte baja de la cubierta del cable trasero, luego levante la cubierta hacia arriba para tener acceso (cubierta de acceso) al bloque de conexión del borne terminal (vea figura 2).
2. Retire la correa de la base del bloque terminal y del armazón del electrodoméstico. Retenga el tornillo de la base.
3. Utilizar los tuercas suministraron en el paquete de la literatura para conectar el alambre de tierra (verde) del cable de bronce del suministro eléctrico al armazón del electrodoméstico con el tornillo de la base, usando el hoyo del armazón por donde retiró la correa de la base (vea figura 4).
4. Conecte el alambre neutral (blanco) del cable de cobre del suministro eléctrico al terminal plateado del centro del bloque terminal y, conecte los otros alambres a los terminales externos.
5. Baje la cubierta del terminal y vuelva al colocar los 3 tornillos.



# INSTRUCCIONES DE INSTALACIÓN PARA LA ESTUFA DE FUEL DUAL DE 30"

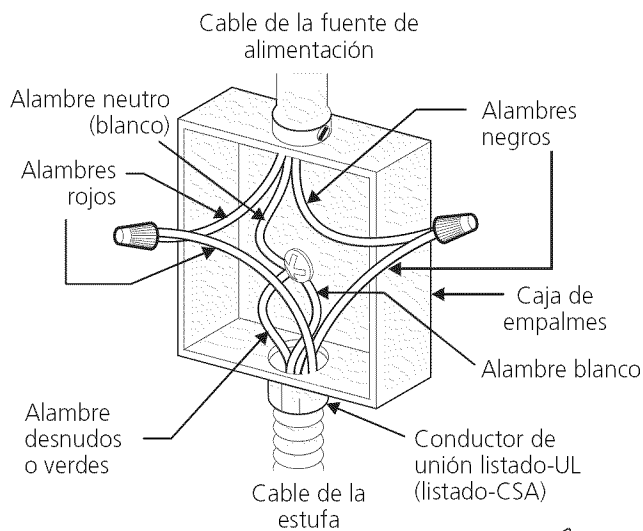
(Para Modelos con un Horno Eléctrico y una Estufa a Gas)

## Conexión eléctrica directa al cortacircuito, a la caja de fusibles o la caja de empalmes

Si el aparato está conectado directamente al cortacircuito, a la caja de fusibles o a la caja de empalmes, use un cable blindado flexible o no metálico recubierto de cobre (con alambre a tierra). Provee una abrazadera releve de anclaje homólogo UL a cada extremidad del cable. A la extremidad del electrodoméstico, el cable pase a través del agujero de la conexión directa (ver figura 5) en el cordón de la placa de montaje. El tamaño de los alambres (**alambre de cobre solamente**) y las conexiones deben estar conforme al régimen del electrodoméstico.

## Donde los códigos locales permitan conectar el conductor de puesta a tierra del electrodoméstico al neutral (blanco) (vea figura 5):

1. Desconecte el suministro eléctrico.
2. En el cortacircuito, la caja de fusibles o la caja de empalmes:
  - a) Conecte el alambre verde (o cobre desnudo), el alambre blanco del cable del electrodoméstico y el alambre neutral (blanco) juntos.
  - b) Conecte los dos alambres negros juntos.
  - c) Conecte los dos alambres rojos juntos.

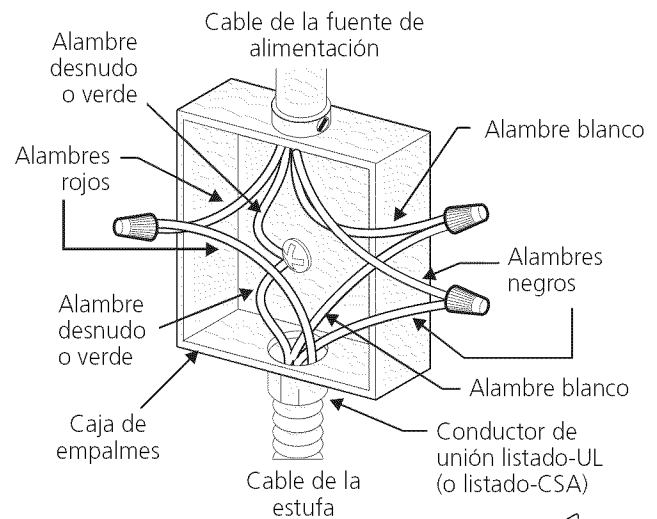


**NOTA:** Asegurese de quitar la banda de puesta a tierra provista.

Figura 5

## Donde los códigos locales NO permitan conectar el conductor de puesta a tierra del electrodoméstico al neutral (blanco), o si está conectado con un sistema a 4 alambres (vea figura 6):

1. Desconecte el suministro eléctrico.
2. Separe el alambre verde (o cobre desnudo) y el alambre blanco del electrodoméstico.
3. En el cortacircuito, la caja de fusibles o la caja de empalmes:
  - a. Conecte el alambre blanco del cable del electrodoméstico al alambre neutral (blanco).
  - b. Conecte los 2 alambres negros juntos.
  - c. Conecte los 2 alambres rojos juntos.
  - d. Conecte el alambre verde (o de cobre desnudo) de la puesta a tierra del alambre al alambre de puesta a tierra del cortacircuito, de la caja de fusibles o de la caja de empalmes.



**NOTA:** Asegurese de quitar la banda de puesta a tierra provista.

Figura 6

# INSTRUCCIONES DE INSTALACIÓN PARA LA ESTUFA DE FUEL DUAL DE 30"

(Para Modelos con un Horno Eléctrico y una Estufa a Gas)

## 4. Construcción del armario

**⚠ PRECAUCION** Para eliminar el riesgo de quemaduras o de fuego tratando de alcanzar algo por encima de las zonas calientes, evite de colocar artículos sobre la cocina. Si cree necesitar este espacio, el riesgo puede disminuir si instala un sombrerete que proteja horizontalmente un mínimo de 5" (12.7cm) sobre la base del armario.

### Preparación del mostrador

- Las extremidades de la cocina sobrepasan el borde de su mostrador.
- Si tiene un **mostrador con las extremidades cuadradas (planas)**, no se necesita ninguna preparación del mostrador.
- **El reborde de frente de mostradores moldeados** deben tener bordes moldeados a 3/4" (1.9cm) a partir de cada extremidad de la apertura (Figura 7).
- **Los mostradores enazulejos** deberán necesitar un recorte de 3/4" (1.9 cm) a partir de cada extremidad y/o un borde redondeado aplanado (Figura 7).

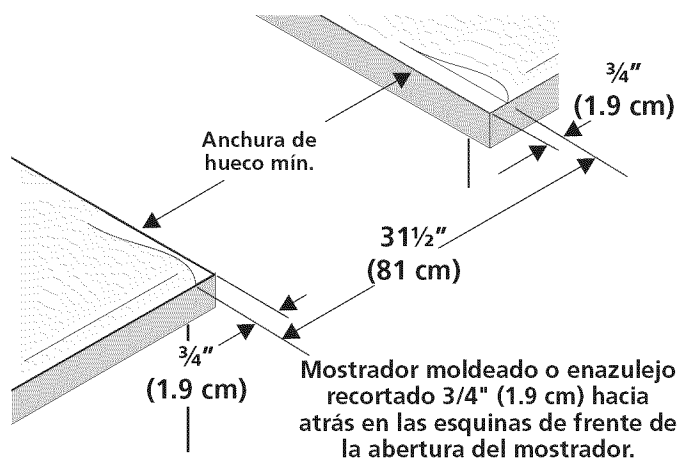


Figura 7

- Si el ancho de la apertura del mostrador es más grande que 30 1/16" (76,4 cm), ajuste a las dimensiones como para el 3/4" (1.9).
- **El mostrador deber ser nivelado.** Coloque un nivelador sobre el mostrador, primero de lado a lado y luego del frente hacia atrás. Si el mostrador no está nivelado, la cocina no estará nivelada. El horno debe ser nivelado para tener resultados satisfactorios al hornear. Las extremidades de la plancha de la cocina sobrepasan los bordes de la apertura del mostrador.

## 5. Instalación de la alimentación de gas

Esta unidad ha sido ajustada para operar con un múltiple de admisión para gas natural de 4" (10,16 cm) (1.0 kPa). Un regulador de presión convertible esta conectado a la válvula distribuidora y DEBE ser conectado en serie con la tubería de suministro de gas.

**Para la operación apropiada,** la máxima presión de entrada al regulador no debe exceder la presión de una columna de agua de 14 pulgadas (3.5 kPa).

La presión de entrada al regulador debe ser por lo menos 1 pulgada más grande que la válvula distribuidora (.25 kPa). El regulador ha sido ajustado para gas natural a 4 pulgadas de presión para la válvula distribuidora (1.0 kPa). La presión de entrada debe ser por lo menos de 5 pulgadas (1.25 kPa). Para propano líquido a 10 pulgadas de presión para la válvula distribuidora (2.5 kPa) la presión de entrada debe ser por lo menos de 11 pulgadas (2.75 kPa).

La tubería debería ser equipada con una válvula de cierre aprobada (vea Figura 10). Esta válvula debe ubicarse en la misma habitación que la estufa en un lugar que permita una una facilidad de abrir y cerrar. No bloquee el acceso a la válvula de cierre. La válvula es para abrir o cerrar el suministro de gas al aparato.

Abra la válvula de cierre en la línea de suministro de gas. Espere unos minutos a que el gas se mueva por el tubo.

El suministro de gas entre la válvula de cierre y el regulador se puede conectar con tubería rígida o con tubería flexible unión metálica conectada y aprobada por la AGA/CGA donde los códigos locales permiten.

La tubería del suministro de gas puede pasar por la pared lateral del armario derecho. El armario lateral derecho es un lugar ideal para la válvula de cierre principal.

### Conecte el Regulador de Presión

El regulador de presión esta ya instalada para la estufa.

**⚠ PRECAUCION** No haga que la conexión esté demasiado apretada. El regulador está fundido a troquel. Aprietándolo demasiado podría romper el regulador resultando en escape de gas y posiblemente un incendio o explosión.

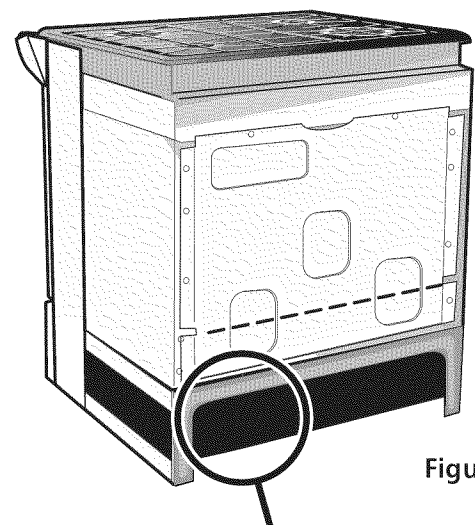
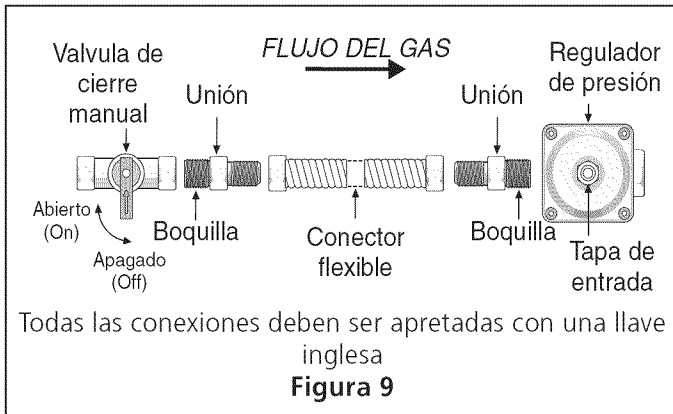


Figura 8

UBICACIÓN DEL REGULADOR DE PRESIÓN

# INSTRUCCIONES DE INSTALACIÓN PARA LA ESTUFA DE FUEL DUAL DE 30"

(Para Modelos con un Horno Eléctrico y una Estufa a Gas)



Reúna el conector flexible del tubo del suministro de gas al regulador de la presión en la orden siguiente:

1. Válvula de cierre manual (no incluido)
2. Boquilla de 1/2" (no incluido)
3. 1/2" Adaptador de unión (no incluido)
4. Conector flexible (no incluido)
5. 1/2" Adaptador de unión (no incluido)
6. Boquilla de 1/2" (no incluido)
7. regulador de presión (incluido)

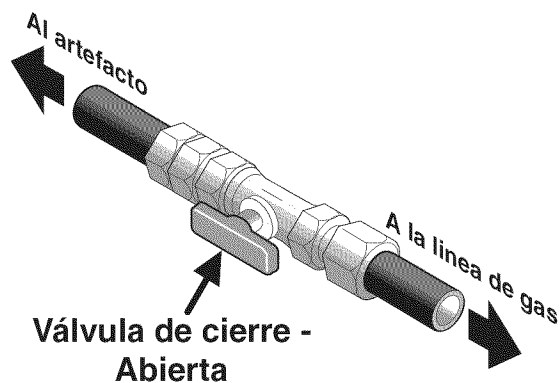
La tubería de suministro de gas debe ser de 1/2" (1,27 cm) o 3/4" (1,9 cm) D.I.

El consumidor debe saber la posición de la válvula principal de cierre y tener acceso fácil a ello.

Cuando se usa un conducto flexible en la estufa, permita suficiente flojedad como para sacar la estufa fuera del recortado para la limpieza y el servicio.

**NOTA:** No permita que el conducto se pellizque entre la pared y la estufa. Para verlo, saque el cajón.

Use un compuesto para juntas de tubería hecho para uso con gas natural y de LP/Propano para sellar todas las conexiones del gas. Si se usan los conectores flexibles asegúrese de que no estén enroscados.



**Figura 10**

La línea del suministro se debe de ser equipada de una válvula de cierre manual aprobada. Esta válvula se debe localizar en el mismo cuarto que la estufa y debe estar en una localización que permita la facilidad de la abertura y del cierre. No bloquee el acceso a la válvula. La válvula es para encender o apagar el gas del aparato.

Una vez que regulador está en su lugar, abra la válvula en la línea del suministro de gas. Espere algunos minutos para que el gas pueda moverse a través de la línea de gas.

**Para verificar si hay fugas en el electrodoméstico se debe de seguir las instrucciones del fabricante.**

**Asegúrese de que no haya escapes de gas.** Después de conectar la estufa al suministro de gas, compruebe el sistema con un menómetro. Si no tiene un manómetro, abre el gas y use un detector de fugas líquido en todas las juntas y conexiones para averiguar si hay escapes de gas.

**⚠ ADVERTENCIA** No use llama para controlar que no hayan pérdidas de gas. La comprobación de pérdidas de gas con una llama puede resultar en un incendio o explosión. Se debe sellar todas las aberturas en la pared o el piso donde la estufa se instala.

**Apriete todas las conexiones** si hace falta para prevenir fugas de gas en la superficie de la estufa o en la línea de suministro.

**Desconecte esta estufa y su válvula individual de cierre** del sistema del suministro de gas durante cualquier prueba de presión de ese sistema a presiones mayores de 1/2 psig (3.5 kPa o 14" (35,56 cm) columna de agua).

**Aisla la estufa del sistema del suministro de gas** cerrando su válvula manual de cierre individual durante cualquier prueba de presión del suministro del gas a presiones iguales a menos de 1/2 psig (3.5 kPa o 14" (35,56 cm) columna de agua).

## 6. Conversión para uso de Propano Líquido

Este aparato puede ser usado con gas natural o propano líquido. Ha sido ajustado en la fábrica para operar con gas natural solamente.

Si desea convertir su estufa para uso con propano líquido, use los orificios provistos ubicados en el bolso que contiene la literatura titulada "FOR LP/PROPANE GAS CONVERSION." Siga las instrucciones que vienen con los orificios.

La conversión debe ser efectuado por un técnico de servicio capacitado, de acuerdo con las instrucciones del fabricante y con todos los códigos y requisitos de las autoridades correspondientes. El no seguir las instrucciones podría dar como resultado lesiones graves o daños a la propiedad. El organismo autorizado para llevar a cabo este trabajo asume la responsabilidad de la conversión.

**⚠ ADVERTENCIA** La falta de una conversión apropiada puede resultar en lesiones graves y daños a la propiedad.



# INSTRUCCIONES DE INSTALACIÓN PARA LA ESTUFA DE FUEL DUAL DE 30" (Para Modelos con un Horno Eléctrico y una Estufa a Gas)

## 7. La mudanza del aparato para reparaciones o limpieza

Apague la corriente eléctrica a la estufa a la fuente de poder principal, y apague la válvula de cierre manual de gas. Asegúrese de que la estufa esté fresca. Quite el cajón de servicio (el cajón calentador en algunos modelos) y abra la puerta del horno. Levante la frente de la estufa y deslícela fuera de la abertura sin crear tensión desmedida sobre el conducto flexible de gas. Asegúrese de no pellizque el conducto flexible de gas detrás de la estufa al reemplazar la unidad en la abertura. Reemplace el cajón, cierre la puerta y enciende el gas y la corriente eléctrica a la estufa.

## 8. Instalación de la cocina

**Nota importante:** No es necesario, pero sí es conveniente, quitar la puerta para instalar el horno. Consulte las instrucciones para retirar la puerta en la Guía de Uso y Cuidado.

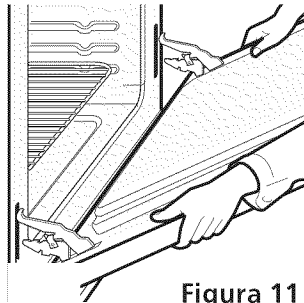


Figura 11

1 La plancha de cocinar se sobrepone por encima del mostrador con sus extremidades y la cocina reposa sobre el suelo. La plancha de cocinar es 31½" (81 cm) de ancho.

2 Instale la base de los armarios a 30" (76.2 cm) de espacio entre ellas. Asegúrese que estos estén verticales y alineados antes de instalar la plancha de cocinar. Lije el borde del mostrador para obtener los 31½" (81 cm) en la parte superior del mostrador.

3 Instale las puertas del armario a 31" (78,7 cm) de espacio entre ellas para que no interfieran con la abertura de la puerta de la cocina.

4 Corte el mostrador exactamente como en la primera página.

5 Asegúrese que el frente de las patas niveladoras y el dispositivo de nivelación posterior estén ajustados más altos que la altura del gabinete.

6 **PRECAUCION** Instale el soporte anti-inclinación de acuerdo a las instrucciones del patrón anti-inclinación.

7 Para una instalación óptima, la superficie superior de la cubierta debe estar nivelada y ser plana (sobre el mismo plano) en los 3 lados adyacentes a la cocina. Se deben hacer los ajustes correspondientes para hacer que la parte superior quede plana, de lo contrario podrán quedar espacios entre la cubierta y la cocina.

8 **PRECAUCION** Para reducir el riesgo de dañar su artefacto, no manipule cerca del vidrio cerámico. Manipúlelo con cuidado.

9 Coloque la cocina enfrente de la abertura del armario.

10 Asegúrese de que el vidrio que está colgado sobre la cubierta deje despejada la cubierta. Si es necesario, levante la unidad bajando las patas de nivelación.

**Nivele la cocina** (vea Nivelación de la estufa). El piso donde se instala la cocina debe estar nivelado.

11 Siga las instrucciones "nivelación de la estufa-modelos equipado con un sistema de dispositivo de nivelación".

12 Deslice la unidad hacia el gabinete y central antes de nivelarla.

### Instalación con el repuesto.

La profundidad del corte de (21¾" (55.2 cm) Min., 22 1/8" (56.2cm) Max.) necesita ser aumentada a 24" (61 cm) cuando instala el repuesto.

### Instalación con el juego de termino de panel.

Un juego de termino de panel puede ser pedido con su representante.

### Instalación con Paneles Laterales Llenos

Paneles Laterales puede ser pedido con su representante. Instale las puertas de los armarios a 31" (78.7 cm) de espacio entre ellas para que no interfieran con la abertura de la puerta de la cocina.

# INSTRUCCIONES DE INSTALACIÓN PARA LA ESTUFA DE FUEL DUAL DE 30"

(Para Modelos con un Horno Eléctrico y una Estufa a Gas)

## 9. Nivelación de la estufa

**Nivele la estufa y ajuste la altura de la estufa antes de instalarla en la abertura.**

1. Coloque una parrilla del horno en el centro del horno.
2. Ponga un nivel sobre la parrilla (Figura 12). Tome dos lecturas con el nivel puesto diagonalmente en una dirección y después en la otra. Nivele la estufa, si es necesario, ajustando las 4 patas niveladoras con una llave de tuercas.
3. Asegúrese de no dañar al mostrador, deslice la estufa dentro de la abertura del hueco y vuelva a verificar a la nivelación.

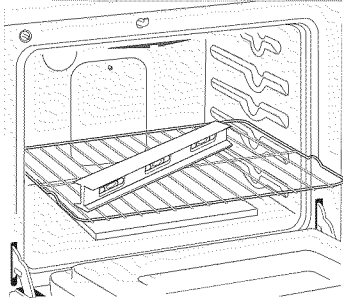


Figura 12

## 10. Comprobación del funcionamiento

Consulte el Manual del Usuario incluido con la estufa para instrucciones de operación y instrucciones para el cuidado y limpieza de su estufa.

No toque los elementos o quemadores. Pueden estar bastante calientes para causar quemaduras.

Quite todo el embalaje de la unidad antes de comprobarla.

### 10.1 Instala las Bases y las tapas de los Quemadores

**Esta estufa está equipada con quemadores sellados.**

Es muy importante asegurarse que todas las tapas y parrillas de los quemadores superiores sean instalados correctamente en sus posiciones correctas.

1. Remover todo el material de empaque de la parte superior de la estufa.
2. Deshechar todo el material de empaque (si aplica)
3. Desempacar las parrillas de los quemadores y colocarlas sobre la estufa.

**Nota:** No hay ajustes necesarios en los quemadores para esta estufa.

### 10.2 Enciende la corriente eléctrica y abre la válvula principal de cierre.

### 10.3 Comprobación de los Encendedores

El funcionamiento de los encendedores eléctricos debe ser comprobado después de que la estufa y los conectores a la tubería de suministro de gas hayan sido comprobados para las fugas y la estufa haya sido conectada eléctricamente. Para comprobar que el encendido sea correcto:

1. Empuje y gire un botón control del quemador superior hasta la posición LITE (encender). Se podría oír el encendedor haciendo chispas.
2. El quemador se deberá encender en cuatro (4) segundos para un funcionamiento normal, después de que el aire haya sido purgado de la tubería de suministro de gas. Controle visualmente que el quemador se haya encendido.
3. Después de que el quemador se haya encendido, la plancha de cocina debe ser girada fuera de la posición LITE. Cada quemador tiene su encendedor individual. Controle las perillas separadamente hasta que todas las válvulas hayan sido controladas.

### 10.4 Ajuste de la Posición LOW (BAJA) Para la Válvula del Quemador Superior (Figura 13)

- a. Gire el botón de control a la posición LITE (encender) hasta que el quemador encienda.
- b. **Rápidamente** gire el botón de control a la POSICIÓN MAS BAJA.
- c. Si el quemador se apaga, reajuste la válvula de la siguiente forma: Mueva el control a la posición OFF (apagada). Saque la perilla de control del quemador superior, inserte un destornillador plano pequeño en el hueco del vástago del a válvula hasta enganchar el tornillo interior. El tamaño de la llama puede ser aumentado o disminuido girando el tornillo. Ajuste el tamaño de la llama hasta que pueda pasar rápidamente de la posición LITE hasta la posición MAS BAJA sin que se apague la llama. La llama debe ser lo más pequeña posible sin que se apague.

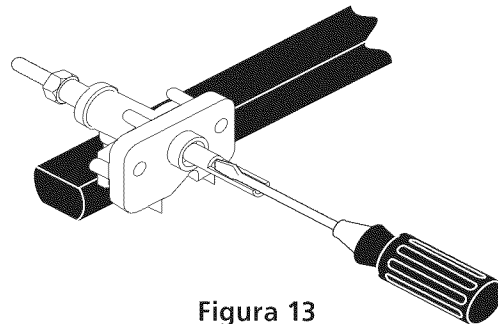


Figura 13

### 10.5 Ajuste bajo "LOW" para la válvula dual (Fig. 14)

**Nota:** En la válvula de quemador puente el ajuste "LOW" de cada porción (porción posterior del quemador puente y la porción de centro del quemador del puente) se debe ajustar individualmente.

- a. Presione y gire el control a la posición LITE hasta que la porción posterior del quemador puente se encienda.
- b. Gire rápidamente a la perilla a la POSICIÓN MÁS BAJA.
- c. Si el quemador se apaga, reajuste el control a OFF.
- d. Retire la perilla del quemador de superficie.

# INSTRUCCIONES DE INSTALACIÓN PARA LA ESTUFA DE FUEL DUAL DE 30"

(Para Modelos con un Horno Eléctrico y una Estufa a Gas)

- e. El tamaño de la flama de la porción posterior del quemador puente puede aumentarse o disminuirse dándole vuelta al tornillo A. Utilice el tornillo B para ajustar el tamaño de la llama de la porción central del quemador puente. Dé vuelta en sentido opuesto de las manecillas del reloj para aumentar el tamaño de la llama. Dé vuelta en sentido a las manecillas del reloj para disminuir la llama. Ajuste la llama hasta que usted puede dar vuelta rápidamente a la perilla de la posición LITE a la POSICIÓN MÁS BAJA sin extinguir la llama. La llama debe ser tan pequeña como sea posible sin apagarse.

**Nota:** El ajuste de la mezcla del aire no se requiere en los quemadores de superficie.

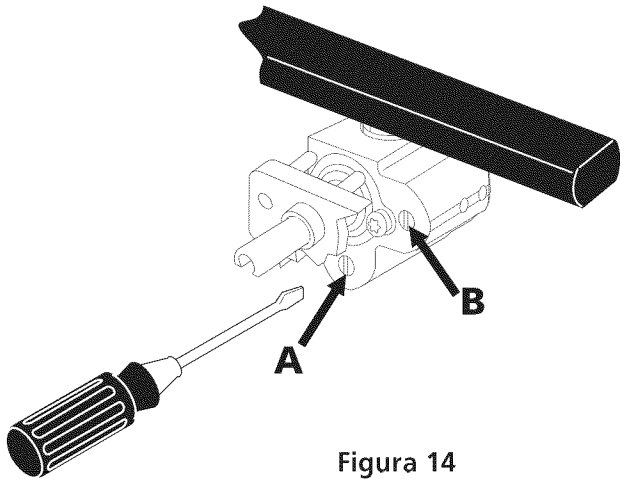


Figura 14

## 10.5 Funcionamiento de los Elementos del Horno

El horno está equipado con un control electrónico. Cada función ha sido probada en la fábrica antes del transporte. Sin embargo, sugerimos que Ud. verifique el funcionamiento de los controles del horno una vez más. Véase el Manual del Usuario para la operación. Siga las instrucciones par el Reloj Minutero, Cocer, Asar, Covección (algunos modelos) y las funciones de limpieza.

**Cocer/Bake**—Después de poner el horno a 350°F (177°C) para cocer, el element inferior debe ponerse rojo

**Asar/Broil**—Cuando está puesto para BROIL, el elemento superior se debe poner rojo.

**Limpieza/Clean**—Cuando el horno está puesto para un ciclo de auto-limpieza, el element superior se pondrá rojo durante el período de precalentamiento del ciclo. Después de alcanzar la temperatura de auto-limpieza, el elemento inferior se pondrá rojo.

**Convección/Convection (algunos modelos)**—Cuando el horno se pone a CONV. BAKE/ROAST a 350°F (177°C), el elemento de convección alterne entre prendido y apago y el ventilador se pone en marcha. El ventilador de convección se parará cuando se abre la puerta del horno durante el cocido o el asado por convección.

**Cajón calentador (algunos modelos)**—Ponga la perilla de control a HI y verifique que se está calentando el cajón.

## Después de Terminar la Instalación

Asegúrese de que todos los controles estén en la posición OFF (apagada).

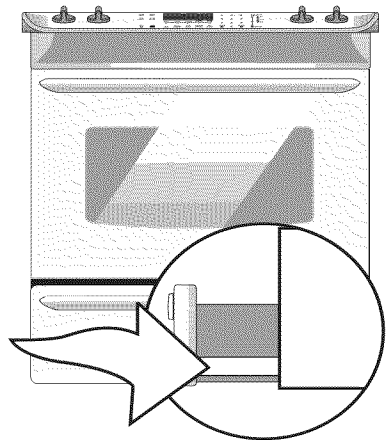
Asegúrese de que el flujo del aire de combustión y de ventilación a la estufa no esté obstruido.

## Ubicación del Número de Modelo y de Serie

La placa con el número de serie está ubicada en el marco delantero del horno detrás de la puerta del horno (algunos modelos) o detrás del cajón (algunos modelos).

Quando haga pedidos de repuestos o solicite información con respecto a su estufa, esté siempre seguro de incluir el número de modelo y de serie y el número o letra del lote de la placa de serie de su estufa.

La placa con el número de serie también le da la potencia nominal de los quemadores, el tipo de combustible y la presión a la cual fué ajustada la estufa en la fábrica.



Ubicación de la placa de serie

## Antes de Llamar al Servicio

Lea la sección Evite Llamadas de Servicio en su Manual del Usuario. Esto le podrá ahorrar tiempo y gastos. Esta lista incluye ocurrencias comunes que no son el resultado de defectos de materiales o fabricación de este artefacto.

Lea la garantía y la información sobre el servicio en su Manual del Usuario para obtener el número de teléfono gratuito y la dirección del servicio. Por favor llame o escriba si tiene preguntas acerca de su estufa o necesita repuestos.

# INSTRUCCIONES DE INSTALACIÓN PARA LA ESTUFA DE FUEL DUAL DE 30"

(Para Modelos con un Horno Eléctrico y una Estufa a Gas)

## 11. Instrucciones de instalación de la fijación anti-inclinación

**⚠ ADVERTENCIA** Para reducir el riesgo de inclinación de la cocina, ésta debe ser asegurada hacia el piso con las fijaciones de anti-inclinación y los tornillos que vienen con la cocina. Estos componentes se encuentran en el horno. Si no instala las fijaciones, corre el riesgo que su cocina pueda inclinarse si pone demasiado peso en ella o si un niño sube sobre ésta. Esto podría ocasionar graves heridas causadas por líquidos calientes o por la propia cocina.

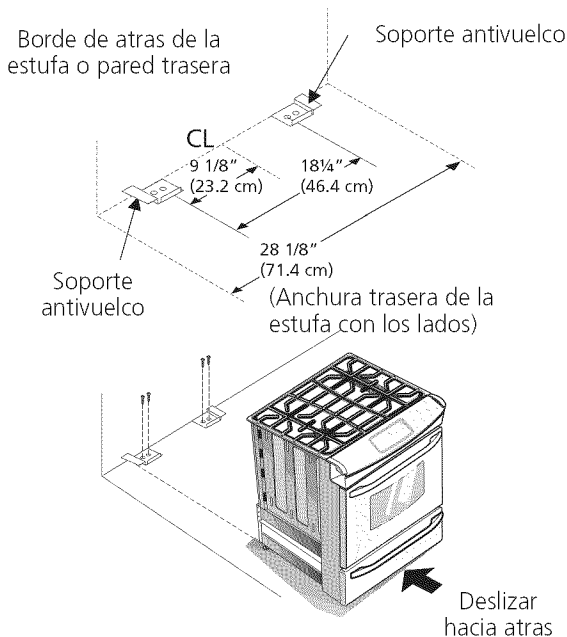
Siga estas instrucciones para instalar las fijaciones de anti-inclinación.

Si la cocina es trasladada a otro lugar, las fijaciones de anti-inclinación deben también ser trasladadas con la cocina. Para controlar la instalación apropiada, vea el paso número 5.

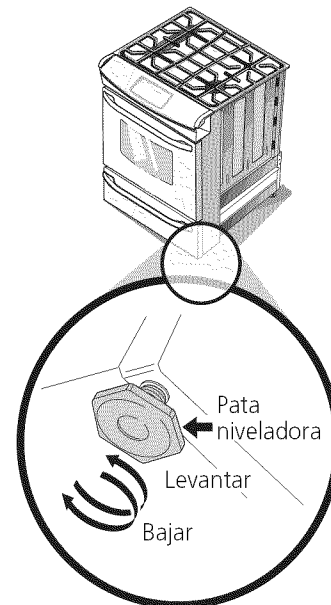
### Herramientas Necesarias:

Llave de tuerca de 5/16" (0,79 cm) o destornillador para tornillos de cabeza plana  
Llave inglesa  
Taladro eléctrico  
Broca de 3/16" (0,48 cm) de diámetro  
Broca para taladro de mampostería de 3/16" (0,48 cm) de día. (si se está instalando en concreto)

Los soportes se fijan al suelo en la parte trasera de la estufa para sujetar ambos niveladores de las patas traseras. Cuando los esté instalando al piso, asegúrese de que los tornillos no penetren el alambrado eléctrico o plomería. Los tornillos provistos pueden utilizarse en madera o concreto.



1. Desdoble la plantilla de papel y colóquela plana en el piso con los bordes laterales y el trasero colocados exactamente donde la parte trasera y los lados de la estufa serán colocados cuando sea instalada. (Use el diagrama siguiente para ubicar los soportes si no se dispone de la plantilla).
2. Marque en el piso la ubicación de los 4 agujeros de montaje como se muestra en la plantilla. Para facilitar la instalación, se pueden taladrar agujeros piloto de 3/16" (0.5 cm) de día. y 1/2" (1.3 cm) de profundidad en el piso.
3. Saque la plantilla y coloque los soportes en el piso con la brida hacia arriba dirigida hacia el frente. Alinee los agujeros en los soportes con las marcas en el piso y sujete con los 4 tornillos provistos. Los soportes deben estar asegurados al piso firme. Si se va a instalar en piso de concreto, primero debe taladrar agujeros guía de 3/16" (0.5 cm) de diámetro usando una broca para taladro de mampostería.
4. Nivele la estufa si es necesario ajustando las cuatro patas niveladoras con una llave (Ver la Figura 16 abajo). Se requiere un espacio libre mínimo de 1/8" (0.8 cm) entre la parte inferior de la estufa y los niveladores de las patas traseras para dejar espacio para los soportes antivuelco.
5. Deslice la estufa a su lugar asegurándose de que las patas traseras estén sujetas por los extremos de los soportes. La estufa puede necesitar ser movida ligeramente a un lado cuando está siendo empujada hacia atrás para permitir que las patas se alineen con los soportes. Usted también puede asir el borde trasero de la cima de la estufa y cuidadosamente intentar voltearla para asegurarse de que la estufa sea adecuadamente anclada.



# INSTRUCTIONS D'INSTALLATION POUR CUISINIÈRE SUR PIEDS DE 30" À ALIMENTATION MIXTE (Modèles avec four électrique et plaque de cuisson à gaz)

**UN INSTALLATEUR QUALIFIÉ DOIT EFFECTUER L'INSTALLATION ET LE SERVICE IMPORTANT: CONSERVEZ CES INSTRUCTIONS POUR LES INSPECTEURS LOCAUX. LISEZ CES INSTRUCTIONS ET CONSERVEZ-LES POUR RÉFÉRENCES ULTÉRIEURES.**

**⚠ AVERTISSEMENT** Si les instructions de ce manuel ne sont pas suivies à la lettre, il pourrait en résulter un incendie ou une explosion susceptible de causer des dommages matériels, des blessures ou même la mort.

**POUR VOTRE SÉCURITÉ:**

- N'entreposez et n'utilisez pas d'essence ou d'autres produits inflammables à proximité de cet appareil ou de tout autre appareil.
- **QUE FAIRE SI VOUS DÉCELEZ UNE ODEUR DE GAZ:**
  - Ne tentez d'allumer aucun appareil.
  - N'actionnez aucun interrupteur électrique; n'utilisez aucun appareil téléphonique de l'édifice.
  - Communiquez immédiatement avec votre fournisseur de gaz en vous servant du téléphone d'un voisin. Suivez les instructions que le fournisseur vous donnera.
  - S'il vous est impossible de rejoindre votre distributeur de gaz, communiquez avec le service d'incendie.
- L'installation et l'entretien doivent être effectués par un installateur qualifié, un service d'entretien ou de réparation accrédité ou le distributeur de gaz.

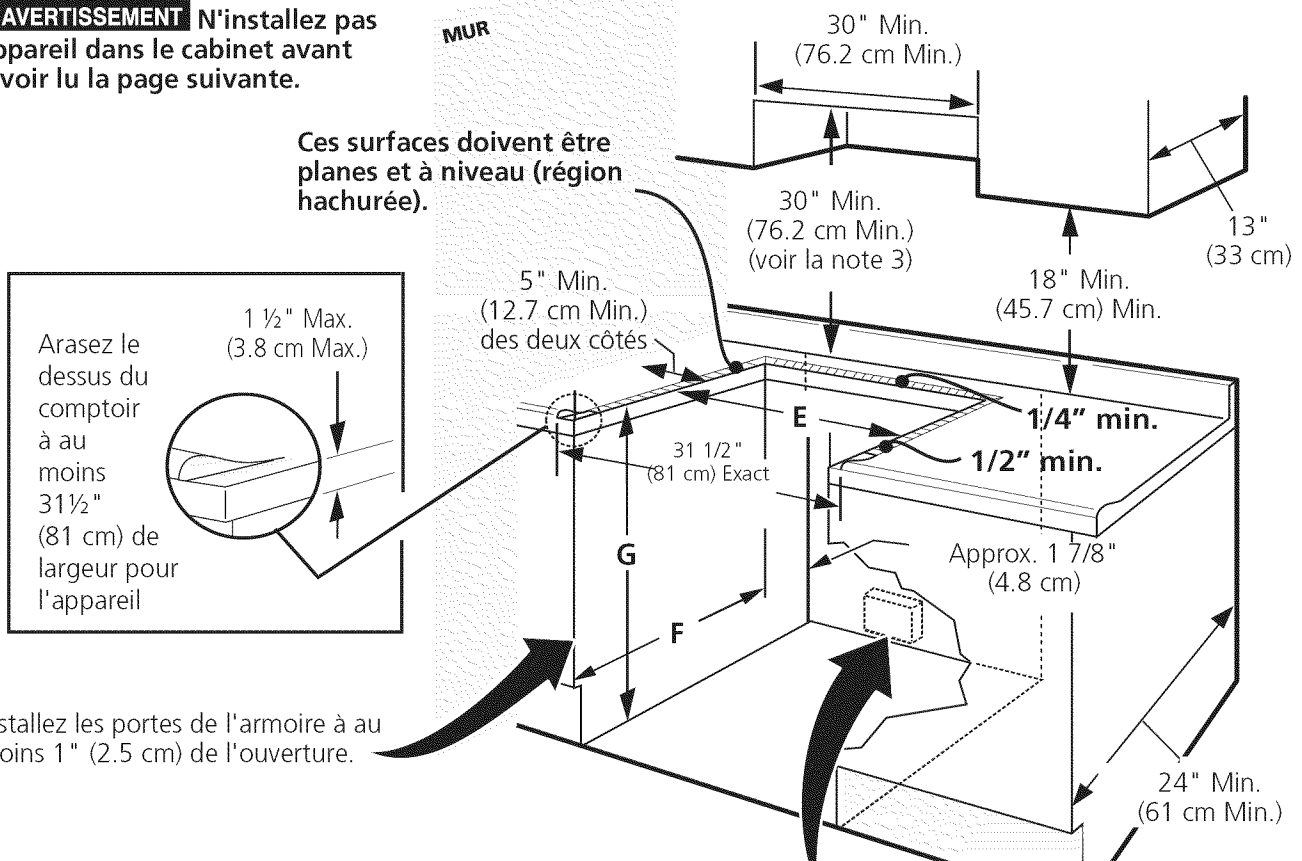


Référez-vous à la plaque signalétique pour la certification d'agence applicable.

**Appareils installée dans l'état du Massachusetts:**

Dans l'état du Massachusetts, cet appareil doit être installé par un plombier ou un installateur de gaz autorisé seulement. Il doit être installé à l'aide d'un connecteur flexible de (3) pieds / 36 pouces de long. Un robinet manuel possédant une poignée en "T" doit être installé à la ligne de gaz allant à cet appareil.

**⚠ AVERTISSEMENT** N'installez pas l'appareil dans le cabinet avant d'avoir lu la page suivante.



Installez les portes de l'armoire à au moins 1" (2.5 cm) de l'ouverture.

La prise murale ou la boîte de jonction doit se situer entre 8" à 17" (20.3 à 43.2 cm) de l'armoire de droite et 2" à 4" (5.1 à 10.2 cm) du plancher.

A. HAUTEUR (sous la surface)	B. LARGEUR	C. LARGEUR TABLE CUISSON	D. PROFONDEUR À L'AVANT DE LA CUISINIÈRE	E. LARGEUR DE DÉCOUPAGE*** (Comptoir & armoire)	F. PROFONDEUR DE DÉCOUPAGE	G. HAUTEUR DU DESSUS DE COMPTOIR
35 7/8" (91,1 cm) 36 5/8" (93 cm)	30" (76,2 cm)	31 1/2" (80 cm)	28 5/16" (71,9 cm)	30±1/16" (76,2±0,15 cm)	21 3/4" (55,2 cm) Min. 22 1/8" (56,2 cm) Max 24" (61 cm) Min. Si un dossier est installé	35 7/8" (91,1 cm) Min. 36 5/8" (93 cm) Max.

**NOTE:** Le schéma de câblage de l'appareil est inclus à la fin de ce feuillet.

Imprimé aux Etats-Unis

P/N 318201679 (0903) Rev. A

English – pages 1-13

Español – páginas 14-26

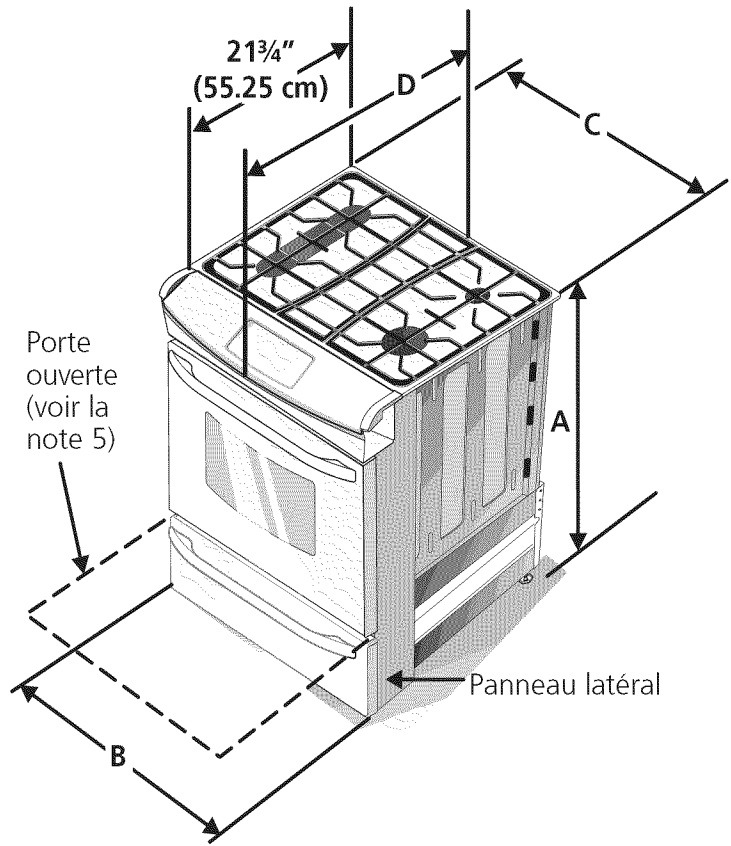
Français – pages 27-39

Schéma de câblage 40

**INSTRUCTIONS D'INSTALLATION POUR CUISINIÈRE SUR PIEDS DE 30" À ALIMENTATION MIXTE  
(Modèles avec four électrique et plaque de cuisson à gaz)**

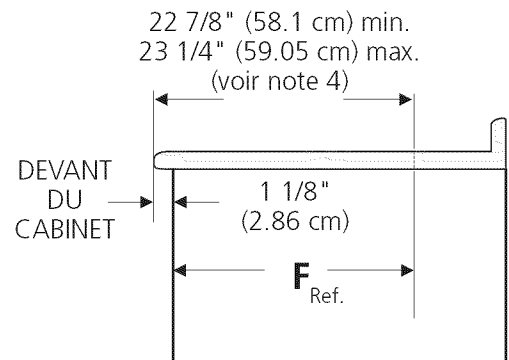
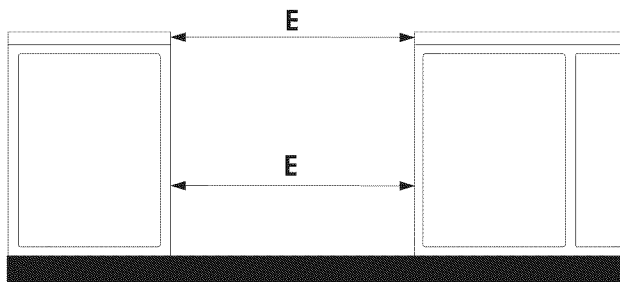
**NOTE:**

1. Ne coincez pas le cordon d'alimentation ou le conduit de gaz entre le mur et l'appareil.
2. Ne scellez pas l'appareil aux armoires latérales.
3. Dégagement minimum de 24" (61 cm) entre la plaque de cuisson et la bas de l'armoire du haut lorsque le dessous de l'armoire en bois ou en métal est protégé par un celloderme retardateur de flammes d'un minimum de ¼" (0.64 cm) recouvert d'une feuille de métal MSG No. 28, d'acier inoxydable d'un minimum de 0.015" (0.4 mm), d'aluminium de 0.024" (0.6 mm) ou de cuivre de 0.020" (0.5 mm).  
Dégagement minimum de 30" (76.2 cm) lorsque l'armoire n'est pas protégée.
4. Notez que pour les ouvertures de moins de 22 7/8" (58.1 cm), l'appareil dépassera légèrement vers l'avant du comptoir.
5. Allouez au moins 19 ¼" (48.9 cm) d'espace pour permettre l'ouverture de la porte du four.



**\*\*\*IMPORTANT:** Pour une largeur de découpage (dimension E) plus grande que 30 1/16" (76.4 cm) et pour éviter un bris de vitre, au moment d'insérer l'appareil dans le comptoir assurez-vous qu'il est bien centré dans l'ouverture. Levez les pattes de nivellement au maximum, insérez l'appareil dans le comptoir et ensuite nivelez-le. Assurez-vous que l'appareil est bien supporté par les pattes de nivellement et non par la surface vitrifiée.

**IMPORTANT:** La largeur du comptoir et de l'armoire doit être égale à la largeur de découpage.



A. HAUTEUR (sous la surface)	B. LARGEUR	C. LARGEUR TABLE CUISSON	D. PROFONDEUR À L'AVANT DE LA CUISINIÈRE	E. LARGEUR DE DÉCOUPAGE*** (Comptoir & armoire)	F. PROFONDEUR DE DÉCOUPAGE	G. HAUTEUR DU DESSUS DE COMPTOIR
35 7/8" (91,1 cm) 36 5/8" (93 cm)	30" (76,2 cm)	31 1/2" (80 cm)	28 5/16" (71,9 cm)	30±1/16" (76,2±0,15 cm)	21 3/4" (55,2 cm) Min. 22 1/8" (56,2 cm) Max 24" (61 cm) Min. Si un dossier est installé	35 7/8" (91,1 cm) Min. 36 5/8" (93 cm) Max.



## Pour éviter les bris: NE manipulez PAS l'appareil par la table de cuisson.

1

Le comptoir autour de l'ouverture de découpage doit être plat et à niveau (voir les parties hachurées à la figure 1).

2

Avant d'installer l'appareil, mesurez la hauteur des deux (2) côtés du comptoir (H1-4), avant et arrière (voir figure 1) du plancher jusqu'au dessus du comptoir.

3

Placez l'appareil à niveau en utilisant les quatre (4) pattes de nivellement afin que la hauteur entre le plancher et le renfort de métal en dessous de la table de cuisson soit plus grande de 1/16" que la plus grande mesure H1-4 (voir figure 2).

Arasez le dessus du comptoir à au moins 31½" (81 cm) de largeur pour la cuisinière.

1 ½" Max.  
(3.8 cm Max.)

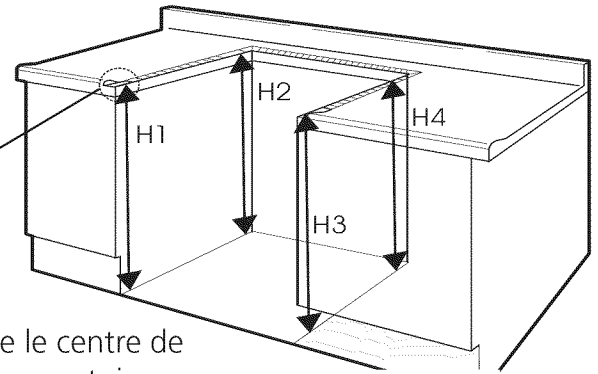


Figure 1

4

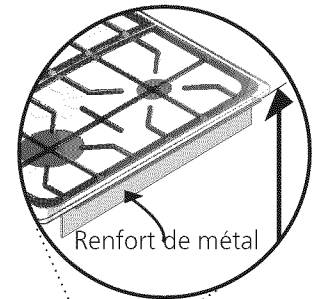
Glissez l'appareil dans le comptoir. Assurez-vous que le centre de l'appareil est aligné avec le centre de l'ouverture du comptoir.

5

Enlevez les protecteurs de plastique situés de chaque côté de la table de cuisson (si inclus avec l'appareil).

6

Le renfort de métal en dessous de chaque côté de la table de cuisson **DOIT** reposer sur le comptoir pour que l'appareil soit bien supporté. La table de cuisson ne doit **PAS** toucher directement le comptoir (voir figure 2), sinon cela pourrait provoquer un bris de la table qui annulera la garantie. Nivelier l'appareil si nécessaire.



Afin d'installer correctement la cuisinière, la hauteur initiale entre le plancher et le renfort de métal en dessous de la table de cuisson doit être au moins 1/16" plus grande que les mesures du comptoir mesurés dans l'étape 1.

7

Après l'installation, ASSUREZ-VOUS que l'appareil est soutenu par les deux pattes de nivellement et les deux roulettes de nivellement arrière et NON par la table de cuisson.

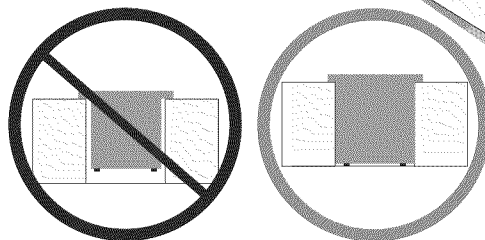


Figure 2

# INSTRUCTIONS D'INSTALLATION POUR CUISINIÈRE SUR PIEDS DE 30" À ALIMENTATION MIXTE (Modèles avec four électrique et plaque de cuisson à gaz)

## Notes importantes à l'installateur

1. Lisez toutes les instructions contenues dans ce feuillet avant d'installer la cuisinière.
2. Enlevez tout le matériel d'emballage du four et du tiroir avant de connecter l'alimentation à gaz et électrique à la cuisinière.
3. Respectez tous les codes et règlements applicables.
4. N'oubliez pas de laisser ces instructions au consommateur.
5. Note: Pour utilisation de l'appareil à 2000 pieds au-dessus du niveau de la mer, la puissance des brûleurs doit être réduite de 4% pour chaque 1000 pieds supplémentaires.

## Note importante au consommateur

Conservez ces instructions avec le guide de l'utilisateur pour référence ultérieure.

# INSTRUCTIONS DE SÉCURITÉ IMPORTANTES

**⚠ MISE EN GARDE** Des températures trop basses peuvent endommager le contrôleur électronique de l'appareil. Au cours de la première utilisation ou lorsque l'appareil n'a pas été utilisé pendant un certain temps, assurez-vous qu'il a été exposé à des températures au dessus de 32°F (0°C) pendant une durée supérieure à 3 heures avant de le mettre en marche.

Cette cuisinière doit être installée conformément aux règlements locaux, ou en leur absence, aux normes CAN/ACG-B149.1 et CAN/ACG-B149.2 ou National Fuel Gas Code ANSI Z223.1/NFPA54.

La conception de cette cuisinière a été approuvée par l'agence CSA internationale. Il faut prendre certaines précautions d'usage lors de l'utilisation de tout appareil fonctionnant au gaz naturel ou produisant de la chaleur. Vous trouverez celles-ci dans votre [Guide d'utilisateur](#), lisez-les avec attention.

- **Assurez-vous que votre cuisinière est correctement installée et mise à la terre par un installateur ou un technicien d'entretien qualifié.**
- **Le circuit électrique de cette cuisinière doit être mis à la terre conformément** aux règlements locaux, ou en l'absence de règlements, au code national de l'électricité ANSI/NFPA no. 70- dernière édition aux États-Unis ou à la norme canadienne d'électricité, ACNOR C22.1, partie 1, au Canada.
- L'installation d'appareils conçus pour les maisons (mobiles) doit se conformer aux normes de la Manufactured Home Construction and Safety Standard, titre 24CFR, partie 3280 (antérieurement Federal Standard for Mobile Home Construction and Safety, titre 24, HUD (partie 280)) ou en leurs absences, aux normes de la Manufactured Home Installation 1982 (Manufactured Home Sites, Communities and Setups), ANSI Z225.1/NFPA 501A-dernière édition, ou aux codes locaux. Lorsque l'installation se fait au Canada, elle doit se conformer à la norme CAN/ACNOR-Z240 MH.

	<b>⚠ AVERTISSEMENT</b> <ul style="list-style-type: none"><li>• Toutes les cuisinières peuvent basculer.</li><li>• Des blessures pourraient survenir.</li><li>• Installer les supports anti-bacules qui accompagnent la cuisinière.</li></ul>	<b>⚠ AVERTISSEMENT</b> <p>Pour prévenir tout risque de basculement de la cuisinière, cet appareil doit être fixé correctement au plancher à l'aide des supports qui l'accompagnent. Pour vérifier si les supports sont posés correctement, retirer le tiroir de rangement et s'assurer que les supports sont enclenchés.</p>
---	--	--

- **Assurez-vous que la tapisserie à proximité de la cuisinière peut résister à la chaleur générée par la cuisinière.**
- **Avant d'installer la cuisinière à un endroit recouvert de linoléum ou de tout autre couvre-plancher synthétique, assurez-vous que celui-ci peut résister à un minimum de 90°F (32.2°C) de chaleur au-dessus de la température de la pièce sans se rapetisser, se déformer ou se décolorer.** N'installez pas la cuisinière sur un tapis, à moins de placer un tampon isolant ou une feuille de contreplaqué d'une épaisseur de ¼" (0.6 cm) entre la cuisinière et le tapis.
- **Ne bloquez pas la circulation d'air à l'orifice de ventilation du four ni autour de la base ou sous le panneau inférieur avant de la cuisinière.** Évitez de toucher les ouvertures de l'orifice de ventilation ou les surfaces avoisinantes car elles risquent de devenir chaudes lorsque le four fonctionne. Les brûleurs ont besoin d'air frais pour assurer une bonne combustion.

**⚠ AVERTISSEMENT** Ne laissez jamais les enfants seuls ou sans surveillance près d'un appareil en fonctionnement. Apprenez-leur à utiliser les appareils électroménagers de façon sécuritaire et appropriée. Ne laissez jamais la porte du four ouverte lorsque la cuisinière est sans surveillance.

**⚠ AVERTISSEMENT** Le fait de monter sur les portes ou les tiroirs de cette cuisinière, de s'y appuyer ou de s'y asseoir peut occasionner des blessures graves, et endommager l'appareil.

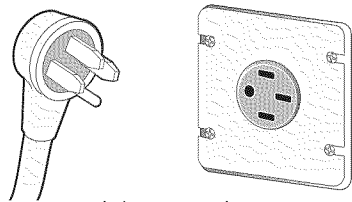
- **N'entrez pas d'objets susceptibles d'intéresser les enfants dans les armoires situées au-dessus de la cuisinière.** Ils risquent de se brûler sérieusement s'ils tentent de grimper sur l'appareil.
- **Évitez de placer des armoires de rangement au-dessus des brûleurs afin d'éliminer les gestes inutiles au-dessus de ceux-ci.**
- **Réglez la flamme du brûleur pour qu'elle ne dépasse pas le bord de l'ustensile utilisé pour la cuisson.** Une flamme excessive est dangereuse.
- **N'utilisez pas le four à des fins de rangement.** Ceci génère une situation éventuellement dangereuse.
- **N'utilisez jamais votre cuisinière pour réchauffer ou chauffer la pièce.** L'utilisation prolongée de la cuisinière sans une ventilation adéquate peut s'avérer dangereuse.
- **Ne gardez pas de produits combustibles, d'essence et d'autres produits inflammables à proximité de cet appareil ou de tout autre appareil.** Il pourrait en résulter des explosions ou un incendie.
- Lors d'une panne de courant électrique, les brûleurs de surface peuvent être allumés manuellement; placez une allumette allumée près de la tête du brûleur et tournez lentement le bouton de commande de surface à la position LITE. Redoublez de prudence si vous allumez un brûleur de surface manuellement.
- **Remplacez toutes les commandes à la position arrêt «off»** après l'utilisation d'une fonction programmable chronométrée.

## POUR LES MODÈLES MUNIS DU MODE AUTONETTOYANT:

- **Enlevez la lèchefrite, les aliments et les autres ustensiles avant le démarrage d'un cycle autonettoyant du four.** Essuyez tous les renversements excessifs. Suivez les instructions pour le pré-nettoyage dans le [Guide de l'utilisateur](#).

## **1. Modèles avec cordon d'alimentation branché en usine (Canada seulement)**

Les cuisinières canadiennes sont munies d'un cordon d'alimentation branché en usine (voir Figure 1). Il doit être connecté à une prise d'alimentation de 120/240 volt, mise à la terre, ou à une prise de courant pour cuisinières de 120/208 volt. Si aucune prise d'alimentation n'est disponible, demandez à un électricien compétent d'en installer une.



Modèles canadiens  
Figure 1

## **2. Ensemble de cordon d'alimentation (États-Unis)**

Il incombe à l'utilisateur de faire raccorder le cordon d'alimentation au bloc de connexion situé derrière le couvercle du panneau arrière.

Il est possible de connecter l'appareil soit au moyen d'un câblage "permanent dur" (câble flexible en cuivre blindé ou muni d'une gaine protectrice non métallique) soit au moyen d'un ensemble de cordon d'alimentation. Voir les tableaux plus bas pour la grosseur minimale de câble (code UL local peut être différent).

**NOTE:** L'appareil sort de l'usine avec un trou de 1 1/8" (2.9 cm) dia. tel que montré à la figure 4. Si un trou plus grand est requis, repoussez la pastille.

**⚠ AVERTISSEMENT** Il existe des risques d'incendie ou de choc électrique, si la capacité du cordon utilisé est inadéquate, si les instructions d'installation ne sont pas suivies ou si le réducteur de tension n'est pas utilisé.

Dans les maisons mobiles (États-Unis), les nouvelles installations, les véhicules récréatifs ou tout autre endroit où les codes locaux interdisent la mise à la terre au moyen du conducteur neutre, un cordon d'alimentation de 4 conducteurs d'un minimum de 125/250 volts, 30 ampères et certifié pour l'utilisation avec cuisinière doit être utilisé (voir Figure 5). Les bornes aux extrémités des câbles doivent comporter soit une boucle fermée, soit des cosses à fourches ouvertes et aux extrémités renversées. Le cordon doit être muni d'un réducteur de tension.

**⚠ MISE EN GARDE** Ne desserrez pas les écrous des fils installés en usine. Une panne, un bris ou des conditions dangereuses pourraient s'en suivre.

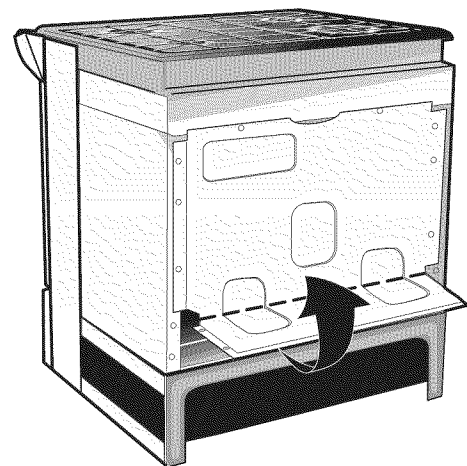
## **⚠ AVERTISSEMENT**

### **Risque de choc électrique**

- La mise à la terre de cet appareil est obligatoire.
- Ne branchez pas l'appareil au circuit électrique avant qu'il soit mis à la terre correctement, en permanence.
- Interrompez le courant dans la boîte de jonction avant d'effectuer la connexion électrique.
- Cet appareil doit être branché à un système de câblage métallique, mis à la terre en permanence, ou un connecteur mis à la terre doit être branché à la borne de mise à la terre ou directement sur l'appareil.

Si vous ne suivez pas les instructions précitées à la lettre, il peut en résulter un incendie, des blessures ou un choc électrique.

## **3. Accès au bloc de connexions et à la plaque de mise à terre.**



Recourbez ici la couvercle arrière pour accéder aux bornes du bloc de connexion de la cuisinière

Figure 2

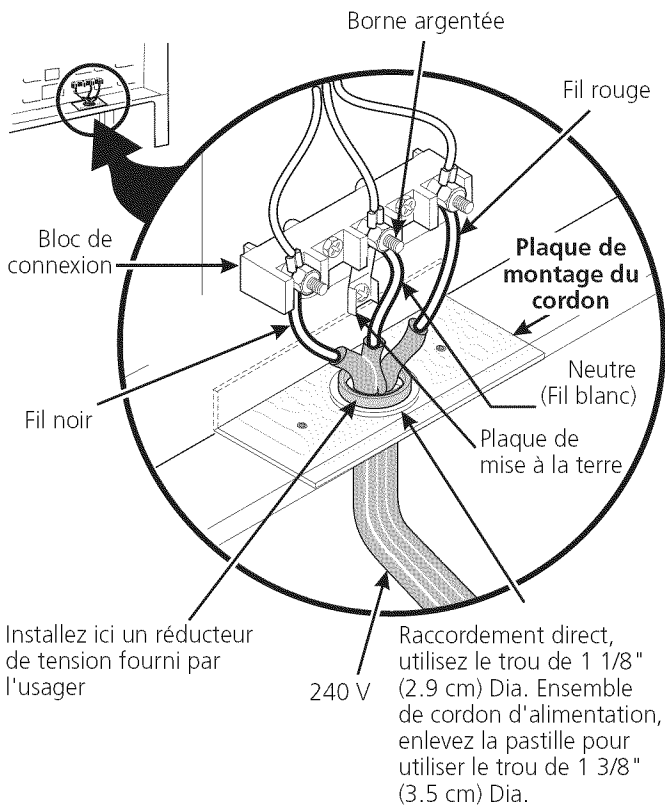
**⚠ AVERTISSEMENT** Cet électroménager est manufacturé avec une mise à la terre au châssis à l'aide d'une plaque de mise à terre posée entre le terminal neutre et le châssis. Si l'appareil est utilisé, aux États-Unis, dans une maison mobile, un nouveau branchement (1996 NEC), un véhicule récréatif où les codes locaux n'autorisent pas la connexion du conducteur de mise à la terre du châssis au neutre ou au Canada; retirez la plaque de mise à terre du châssis et coupez l'autre bout, près du terminal neutre. Branchez ensuite l'appareil de manière usuelle.

### 3. Connexions électriques à la cuisinière (U.S.A.)

#### Pour une connexion à un câble d'alimentation à trois conducteurs (Etats-Unis seulement)

Si les codes locaux permettent la connexion du conducteur de mise à la terre du châssis au fil neutre du cordon d'alimentation en cuivre (voir figure 3).

1. Enlevez les 3 vis situées à l'extrémité inférieure du couvercle arrière de fils, puis redressez l'extrémité inférieure du couvercle (couvercle d'accès) pour atteindre les bornes du bloc de connexion de la cuisinière (voir figure 2).
2. Utilisez les écrous fournis dans l'enveloppe littérature pour raccorder le neutre du cordon d'alimentation cuivré à la borne argentée située au centre du bloc de connexion, et raccordez les autres fils aux bornes extérieures. Assortissez les fils et les bornes conformément aux couleurs (branchez le fil rouge à la borne de droite, et le fil noir à la borne de gauche) (voir figure 3).
3. Abaissez le couvercle des bornes du bloc de connexion et remplacez les 3 vis.

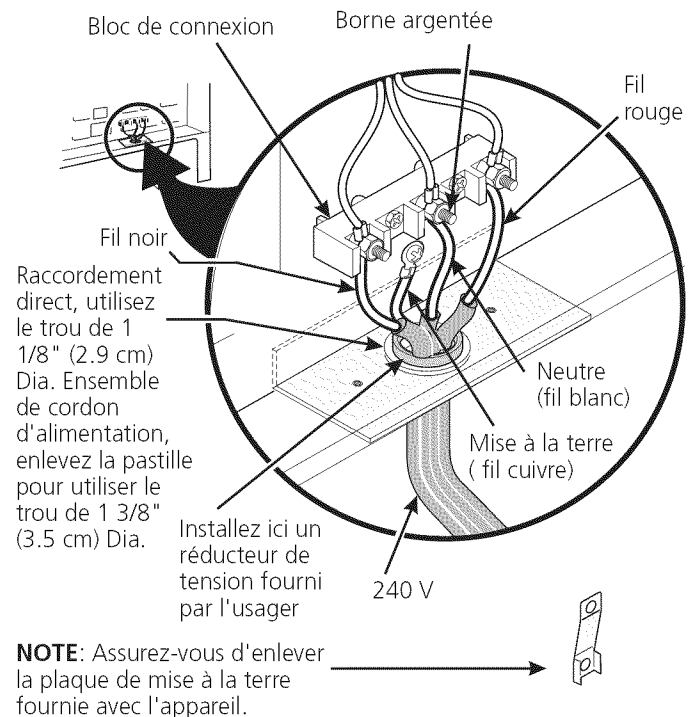


**Figure 3**

#### Pour une connexion à un câble d'alimentation à quatre conducteurs (maisons mobiles) (États-Unis)

Si les codes locaux ne permettent PAS la connexion du conducteur de mise à la terre du châssis au fil neutre du cordon d'alimentation en cuivre (voir figure 4).

1. Enlevez les 3 vis situées à l'extrémité inférieure du couvercle arrière du filage, puis redressez l'extrémité inférieure du couvercle (couvercle d'accès) pour atteindre les bornes du bloc de connexion de la cuisinière (voir figure 2).
2. Enlevez la plaque de mise à la terre de la borne centrale du bloc de connexion et du châssis de l'appareil. Conservez la vis de mise à la terre.
3. Branchez le fil de mise à la terre (vert) du cordon d'alimentation cuivré, au châssis de l'appareil avec la vis de mise à la terre, à l'aide du trou dans le châssis à l'endroit où la bande de mise à la terre a été enlevée (voir Figure 4).
4. Utilisez les écrous fournis dans l'enveloppe littérature pour raccorder le neutre (blanc) du cordon d'alimentation cuivré, à la borne argentée située au centre du bloc de connexion, et raccordez les autres fils aux bornes extérieures. Assortissez les fils et les bornes conformément aux couleurs (branchez le fil rouge à la borne de droite, et le fil noir à la borne de gauche).
5. Abaissez le couvercle des bornes du bloc de connexion et remplacez les 3 vis.



**Figure 4**

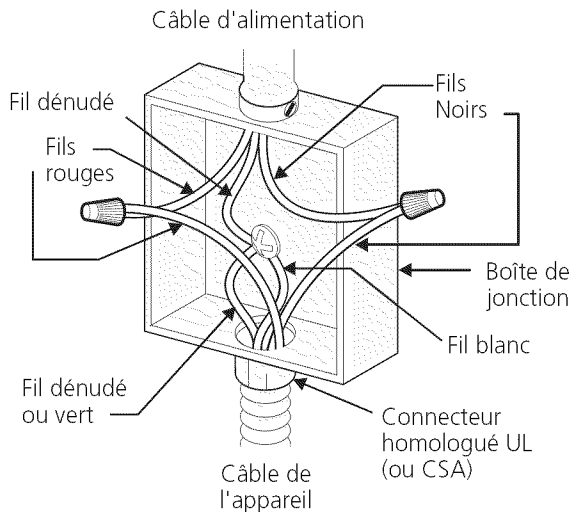
# INSTRUCTIONS D'INSTALLATION POUR CUISINIÈRE SUR PIEDS DE 30" À ALIMENTATION MIXTE (Modèles avec four électrique et plaque de cuisson à gaz)

## Connexions électriques au système électrique de la résidence

L'appareil doit être raccordé directement au disjoncteur ou au compartiment de fusibles au moyen d'un câble flexible en cuivre, blindé ou muni d'une gaine protectrice non métallique (avec fil de mise à la terre). Un des connecteurs homologués UL doit être fixé à chaque extrémité du câble d'alimentation (à l'appareil et à la boîte de jonction). Les grosseurs des fils (**fil en cuivre seulement**) et des raccordements doivent se conformer à la capacité de l'appareil.

### Si les codes locaux permettent le raccordement du conducteur de mise à la terre du châssis au fil neutre (blanc) de la boîte de jonction (voir figure 5):

1. Débranchez l'alimentation.
2. Enlevez la plaque de mise à la terre de la borne centrale du bloc de connexion et du châssis de l'appareil. Conservez la vis de mise à la terre.
3. Dans la boîte de jonction:
  - a) Reliez ensemble, le fil blanc, le fil vert (dénudé) de l'appareil et le fil neutre (blanc) du câble d'alimentation.
  - b) Reliez ensemble les deux fils noirs.
  - c) Reliez ensemble les deux fils rouges.

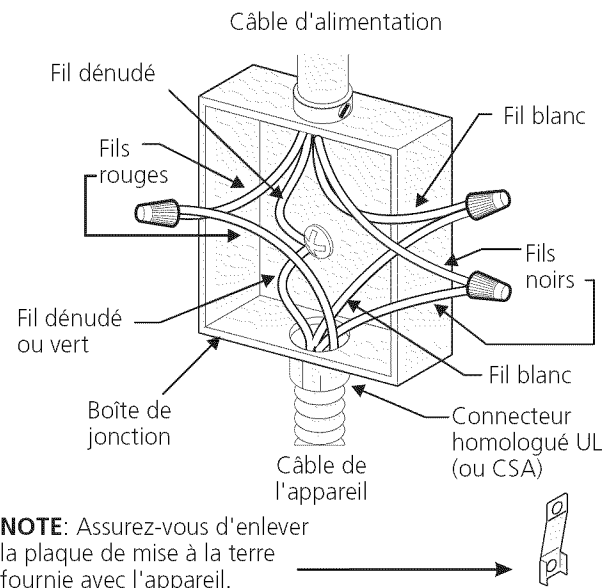


**NOTE:** Assurez-vous d'enlever la plaque de mise à la terre fournie avec l'appareil.

**Figure 5**  
**BOÎTE DE JONCTION À 3 FILS - MISE À LA TERRE**

Aux endroits où les codes locaux l'interdisent, ou si vous raccordez à un système électrique à quatre conducteurs, ne raccordez pas le conducteur de mise à la terre du châssis au fil neutre (blanc) de la boîte de jonction (voir figure 6):

1. Débranchez l'alimentation électrique.
2. Séparez les fils de cuivre dénudé et blanc de l'appareil.
3. Dans la boîte de jonction:
  - a) Reliez le fil blanc du câble de l'appareil au fil neutre (blanc) du câble d'alimentation.
  - b) Reliez les deux fils noirs ensemble.
  - c) Reliez les deux fils rouges ensemble.
  - d) Reliez le fil de cuivre ou dénudé du câble de l'appareil au fil de cuivre ou dénudé du câble d'alimentation.



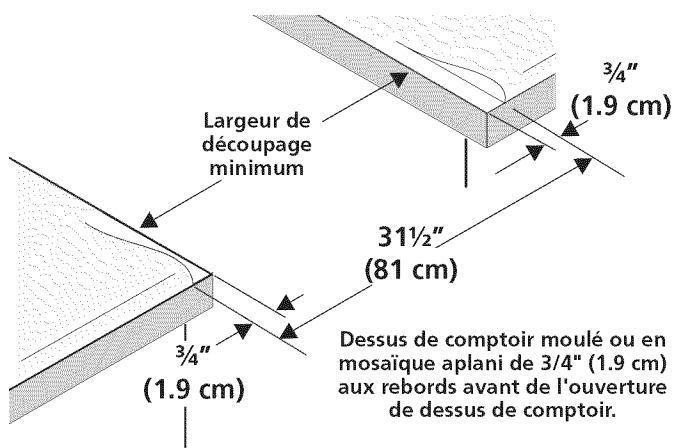
**Figure 6**  
**BOÎTE DE JONCTION À 4 FILS - MISE À LA TERRE**

## 4. Construction de l'armoire

**4.1** **⚠ MISE EN GARDE** Pour éliminer les risques de brûlures ou de feu, en étendant le bras au-dessus des surfaces de cuisson chaudes, évitez d'installer des armoires au-dessus de ces dernières. Si vous devez en installer, il est possible de réduire le risque en plaçant une hotte pour cuisinière qui excède horizontalement d'un minimum de 5" (12.7 cm) la base de l'armoire.

### 4.2 Préparation du dessus de comptoir

- Les côtés de la table de cuisson de la cuisinière s'ajustent au-dessus du rebord du découpage du dessus de comptoir.
- Si vous avez un dessus de comptoir au **fini carré (plat)**, il n'est pas nécessaire de préparer le dessus du comptoir.
- Les dessus de comptoir au **rebord avant moulé** doivent être aplanis de  $\frac{3}{4}$ " (1.9 cm) à chaque coin avant de l'ouverture (Figure 7).
- Il est possible qu'il soit nécessaire d'araser de  $\frac{3}{4}$ " (1.9 cm) les dessus de **comptoir en mosaïque** à chaque coin avant et/ou d'aplanir le rebord arrondi (Figure 7).



**Figure 7**

- Si la largeur de l'ouverture du dessus de comptoir est supérieure à la largeur minimale requise, ajustez en conséquence la dimension  $\frac{3}{4}$ " (1.9 cm).
- **Le dessus de comptoir doit être à niveau.** Placez un niveau sur le dessus de comptoir, d'abord de chaque côté, et ensuite du devant à l'arrière. Si le dessus de comptoir n'est pas horizontal, la cuisinière ne le sera pas non plus. Le four doit être à l'horizontal pour obtenir des résultats de cuisson satisfaisants. Les côtés de la table de cuisson de la cuisinière s'ajustent au-dessus de l'angle du découpage du dessus de comptoir sans le toucher.

## 5. Alimentation en gaz – Installation

Cet appareil a été conçu en usine pour fonctionner au gaz naturel avec une pression d'admission de 4" (10,16 cm) de colonne d'eau (1.0 kpa). Un régulateur de pression convertible est branché avec la rampe à gaz de la cuisinière, et doit rester connecté en série avec le tuyau d'alimentation.

**Pour un fonctionnement normal**, la pression intérieure maximale au régulateur ne doit pas être supérieure à 14" (35,56 cm) (3.5 kpa) de pression de colonne d'eau.

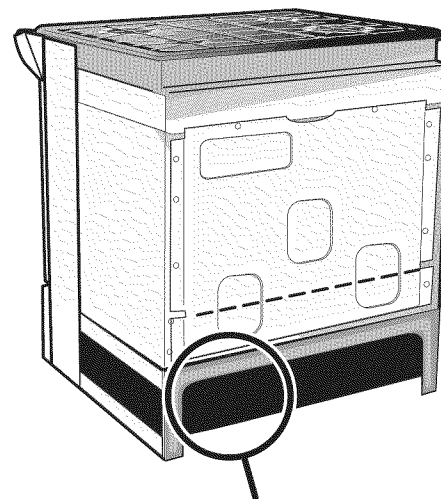
La pression d'admission au régulateur doit être supérieure d'au moins un pouce (ou de .25 kpa) au régulateur ajusté à la rampe à gaz. Pour le gaz naturel, le régulateur étant ajusté à 4" (10,16 cm) de pression (1.0 kpa), la pression d'admission doit être d'au moins 5" (12,7 cm) de colonne d'eau (1.25 kpa). Pour le gaz propane, le régulateur étant ajusté à 10" (25,4 cm) de pression (2.5 kpa), la pression d'admission doit être d'au moins 11" (27,9 cm).

La ligne d'alimentation doit être munie d'un robinet d'arrêt approuvé (voir Figure 10). Ce robinet doit se trouver dans la même pièce que la cuisinière et à un endroit permettant de l'ouvrir et de le fermer facilement. Ne bloquez pas l'accès au robinet d'arrêt. Il est destiné à ouvrir et à fermer l'alimentation en gaz de l'appareil.

L'alimentation en gaz entre le robinet d'alimentation manuel et le régulateur peut-être raccordée par un tuyau métallique flexible homologué AGA/CGA ou un tuyau rigide sujet à l'application des normes locales.

La tuyauterie d'alimentation en gaz peut être installée à travers le mur latéral de l'armoire de droite. L'armoire latérale droite est l'endroit idéal pour l'installation du robinet d'alimentation principal.

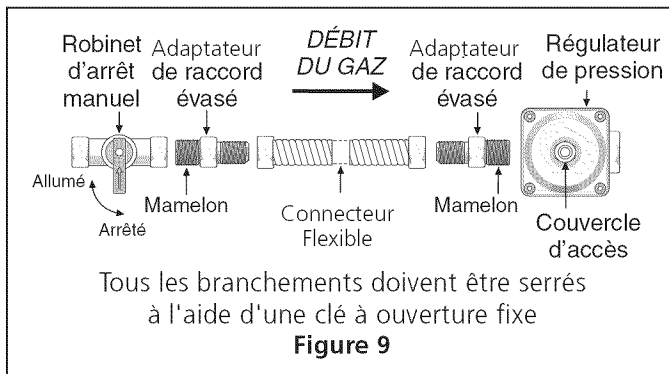
**⚠ MISE EN GARDE** Ne serrez pas trop les raccords. Le régulateur est moulé sous pression. Un serrage excessif pourrait le fissurer et provoquer une fuite de gaz susceptible de causer un incendie ou une explosion.



EMPLACEMENT DU RÉGULATEUR DE PRESSION

**Figure 8**

## INSTRUCTIONS D'INSTALLATION POUR CUISINIÈRE SUR PIEDS DE 30" À ALIMENTATION MIXTE (Modèles avec four électrique et plaque de cuisson à gaz)



Assemblez le connecteur flexible du conduit d'alimentation en gaz au régulateur de pression dans l'ordre qui suit:

1. Robinet d'arrêt manuel (non inclus)
2. ½" mamelon (non inclus)
3. ½" adaptateur de raccord évasé (non inclus)
4. Connecteur flexible (non inclus)
5. ½" adaptateur de raccord évasé (non inclus)
6. ½" mamelon (non inclus)
7. Régulateur de pression (inclus).

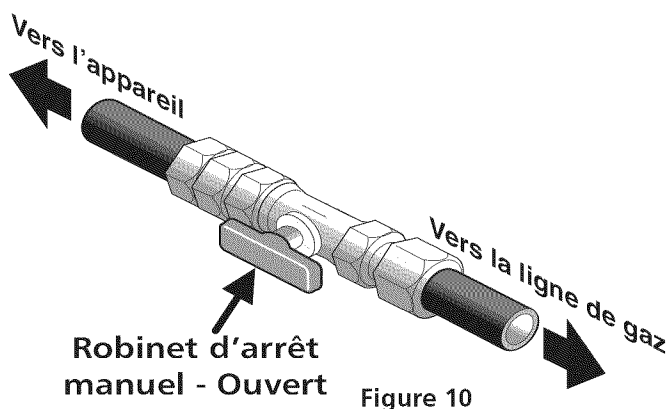
Le tuyau d'alimentation de gaz du robinet d'arrêt devrait être 1/2" (1,27 cm) ou 3/4" (1,9 cm) de tuyau solide.

L'utilisateur doit connaître l'emplacement du robinet d'alimentation principal et être en mesure d'y accéder facilement.

Lorsqu'un conduit de gaz flexible est utilisé, laissez suffisamment de mou pour être en mesure de dégager la cuisinière de l'ouverture pour le nettoyage et l'entretien.

**NOTE :** Veillez à ce que le conduit flexible ne soit pas coincé entre le mur et la cuisinière. Pour vérifier si tel est le cas, enlevez le tiroir.

Utilisez des pâtes à joints de tuyauterie fabriquées pour utilisation avec gaz naturel et propane, pour sceller les connexions de gaz. Si des connecteurs flexibles sont utilisés, assurez-vous qu'ils ne sont pas tordus.



La ligne de gaz doit être munie d'un robinet d'arrêt manuel approuvé. Ce robinet doit être installé dans la même pièce que l'appareil et doit être facile d'accès. Ne bloquez pas l'accès au robinet. Ce robinet permet d'arrêter ou d'admettre l'alimentation en gaz à la cuisinière.

Ouvrez le robinet de la ligne d'alimentation en gaz. Attendez quelques minutes pour permettre au gaz de circuler à travers la canalisation.

**Les vérifications contre les fuites doivent être effectuées conformément aux instructions du fabricant.**

**Veillez à ce qu'il n'y ait pas de fuites.** Après avoir raccordé l'alimentation en gaz à la cuisinière, à l'aide d'un manomètre vérifiez si le système ne fuit pas. Si vous ne disposez pas d'un manomètre, ouvrez l'alimentation en gaz et utilisez un liquide détecteur de fuites sur tous les joints et les raccords.

**⚠ AVERTISSEMENT** N'utilisez pas de flamme nue pour vérifier les fuites de gaz. La détection des fuites à l'aide d'une flamme pourrait provoquer un incendie ou une explosion.

Toutes les ouvertures à travers le plancher ou le mur où la cuisinière est installée doivent être scellées.

**Resserrez tous les raccords** si nécessaire, afin de prévenir les fuites de gaz dans la cuisinière ou le tuyau d'alimentation.

**Débranchez la cuisinière et fermez son robinet d'alimentation en gaz** lors de toute vérification de pression du circuit d'alimentation de gaz à une pression supérieure à 1/2 lb/po2 (3.5 kpa ou 14" (35,56 cm) colonne d'eau).

**Isolez la cuisinière du réseau d'alimentation en gaz** en fermant son robinet d'arrêt manuel, lors de toute vérification de pression du circuit d'alimentation en gaz à une pression inférieure ou égale à 1/2 lb/po2 (3.5 kpa ou 14 po. colonne d'eau)

### 6. Conversion au gaz propane

Cet appareil fonctionne au gaz naturel ou au gaz propane. Il est réglé en usine pour fonctionner au gaz naturel.

Si vous désirez convertir votre cuisinière au gaz propane, servez-vous des orifices fixes fournis dans l'enveloppe portant l'inscription «POUR CONVERSION AU GAZ PROPANE». Suivez les instructions d'installation se trouvant dans l'enveloppe.

Un installateur qualifié doit effectuer la conversion conformément aux instructions du fabricant et à tous les codes et règlements applicables. Si ces instructions ne sont pas suivies à la lettre, il pourrait en résulter de sérieuses blessures corporelles ou des dommages matériels. L'entreprise d'installation qualifiée qui effectue ce travail assume la responsabilité de la conversion.

**⚠ AVERTISSEMENT** Si la conversion n'est pas correctement effectuée, il pourrait en résulter des blessures corporelles et des dommages matériels.



## 7. Déplacement de l'appareil en vue d'en faire le service ou pour faire du nettoyage

Coupez l'alimentation électrique de l'appareil à la boîte de fusibles ou des disjoncteurs et fermez le robinet d'alimentation à gaz manuel. Défaites la connexion de la tuyauterie rigide au régulateur. Il n'est pas nécessaire de défaire cette connexion si un conduit flexible est utilisé. Assurez-vous que l'appareil est froid. Retirez le tiroir de rangement, puis ouvrez la porte du four. Soulevez la cuisinière à l'avant et faites-la glisser hors de son gîte, tout en évitant de soumettre le conduit à gaz flexible à des contraintes excessives. Lorsque la cuisinière est replacée dans son gîte, veillez à ne pas coincer le conduit à gaz flexible et le câble d'alimentation électrique derrière l'appareil. Reconnectez la tuyauterie rigide au régulateur (si applicable) et vérifiez qu'il n'y a pas une fuite de gaz au joint. Remplacez le tiroir, fermez la porte et réalimentez l'appareil en gaz et en électricité.

## 8. Installation de la cuisinière

**Note Importante:** L'enlèvement de la porte du four n'est pas requis pour l'installation de l'appareil, mais la facilite grandement. Référez-vous au manuel d'utilisation pour connaître les étapes.

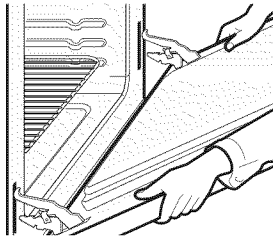


Figure 11

### Installation Standard

La table de cuisson chevauche, de chaque côté, le dessus du comptoir et la cuisinière repose sur le plancher. La largeur de la table de cuisson est de 31½" (81 cm).

1

Les armoires sous le comptoir doivent être distantes de 30" (76.2 cm). Assurez-vous qu'elles sont d'aplomb et de niveau avant d'y installer la cuisinière. Raser le rebord bombé à l'extrémité avant du comptoir pour obtenir un ajustement serré de 31½" (81 cm) entre les bords extérieurs de la table de cuisson et le comptoir.

2

Distancez les portes des armoires de 31" (78.7cm) minimum afin qu'elles n'interfèrent pas avec l'ouverture de la porte du four.

3

Découpez le comptoir tel que montré à la première page.

4

Assurez-vous que les pattes de nivellement sont réglées plus hautes que le hauteur du comptoir.

5

**⚠ MISE EN GARDE** Installez le support anti-basculer maintenant avant de placer l'appareil à sa position finale. Suivez les instructions à la dernière page ou sur le gabarit fourni avec le support anti-basculer de l'appareil.

6

Afin d'obtenir une installation optimale, les 3 côtés du comptoir recevant l'appareil doivent être plat et à niveau. Tous les ajustements adéquats afin que le comptoir soit plat doivent être faits sinon des espaces entre l'appareil et le comptoir peuvent se produire.

7

**⚠ MISE EN GARDE** Pour éviter d'endommager l'appareil, ne pas le saisir ou le manipuler par la vitre de la surface de cuisson. Manipulez-le avec soin.

8

Placez l'appareil devant l'ouverture du comptoir.

9

Assurez-vous que la surface de cuisson vitrifiée allant par dessus le comptoir est plus haute que le comptoir. Si tel n'est pas le cas, levez l'appareil en baissant les pattes de nivellement.

10

Nivelez la cuisinière (voir la section 9). Le plancher qui supporte la cuisinière doit être de niveau.

11

Glissez l'appareil dans l'ouverture du comptoir.

12

### **IMPORTANT** Si des accessoires sont requis:

#### Installation avec un dossier

La profondeur du découpage de 21¾" (55.2 cm) minimum et 22 1/8" (56.2cm) maximum doit être augmentée à 24" (61 cm) lorsqu'un dossier est installé sur l'appareil.

#### Installation d'une moulure arrière

Vous pouvez commander un nécessaire pour moulure arrière dans un centre de service.

#### Installation de panneaux latéraux

Distancez les portes des armoires de 31" (78.7 cm) minimum afin qu'elles n'interfèrent pas avec l'ouverture de la porte du four.

## 9. Mise à niveau de la cuisinière

Mettez la cuisinière de niveau et ajustez la hauteur de la table de cuisson avant de l'installer dans le découpage du comptoir.

1. Installez une grille au centre du four.
2. Déposez un niveau à bulle sur la grille. Prenez 2 lectures en plaçant le niveau en diagonale dans une direction, puis dans l'autre direction. Si nécessaire, ajustez les 4 vis de nivellement à l'aide d'une clé pour niveler l'appareil (reportez-vous à la figure 12).
3. Glissez délicatement la cuisinière, en faisant attention de ne pas abîmer le dessus du comptoir, dans le découpage du comptoir et vérifiez si elle est encore de niveau.

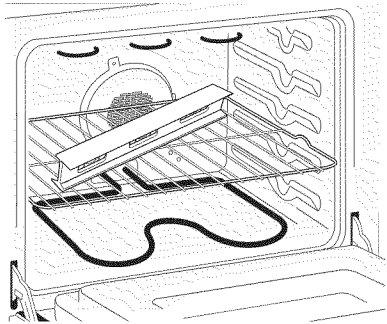


Figure 12

## 10. Vérification du Fonctionnement

Référez-vous au Guide de l'utilisateur inclus avec la cuisinière pour les directives de fonctionnement et pour l'entretien et le nettoyage de votre cuisinière.

Enlevez tout le matériel d'emballage du four avant de commencer les essais.

### 10.1 Mise en place des couvercles et des grilles des brûleurs

Cette cuisinière est munie de brûleurs scellés. Il est très important de vous assurer que tous les couvercles et grilles sont bien en place avant d'utiliser la surface de cuisson.

1. Enlevez tout le matériel d'emballage.
2. Jetez le matériel d'emballage (si applicable).
3. Déballiez les grilles et installez-les sur la surface de cuisson.

**NOTE :** Aucun réglage de brûleur n'est nécessaire dans ce genre de cuisinière.

### 10.2 Branchez l'alimentation en électricité et ouvrez le robinet principal d'alimentation en gaz

### 10.3 Vérifiez les allumeurs

Il faut vérifier le fonctionnement des allumeurs électriques après que la cuisinière et les raccords du tuyau d'alimentation aient été eux-mêmes vérifiés relativement aux fuites et que la cuisinière ait été branchée à la prise de courant. Pour vérifier si l'allumage est adéquat :

1. Appuyez sur le bouton de commande d'un brûleur de surface et tournez-le à la position «LITE». Vous entendrez les étincelles de l'allumeur électrique qui allume le brûleur.
- b. Le brûleur de surface doit s'allumer lorsque le gaz est disponible au brûleur supérieur. En fonctionnement normal, chaque brûleur doit s'allumer dans un délai de quatre (4) secondes après que l'air ait été purgé des canalisations d'alimentation. Regardez si le brûleur est allumé.
- c. Une fois le brûleur allumé, le bouton de commande doit être tourné à une autre position que LITE. Il existe des dispositifs d'allumage séparés pour chaque brûleur. Essayez chaque bouton séparément jusqu'à ce que tous les robinets de brûleur aient été vérifiés.

### 10.4 Réglez la position LOW des robinets des brûleurs de surface (voir Figure 13)

1. Appuyez sur une commande et tournez-la à LITE jusqu'à ce que le brûleur s'allume.
2. Tournez **rapidement** le bouton à la position la plus basse (LOW).
3. Si le brûleur s'éteint, ajustez le robinet comme suit: Remettez le bouton de commande à arrêt (OFF). Enlevez le bouton de commande du brûleur de surface, insérez un tournevis à pointe droite fine dans la tige creuse du robinet et insérez dans la tête de la vis. La hauteur de la flamme peut être augmentée ou diminuée en tournant la vis. Ajustez la flamme jusqu'à ce que vous puissiez tourner rapidement le bouton de LITE à la plus basse position (LOW) sans éteindre la flamme. Celle-ci devrait être aussi minuscule que possible sans s'éteindre.

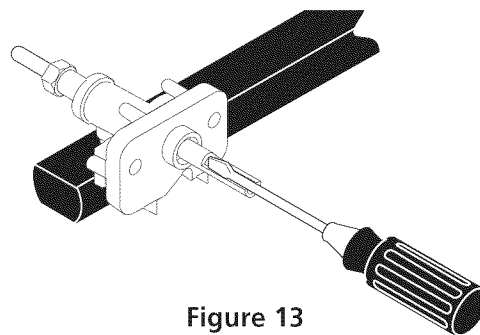


Figure 13

### 10.5 Réglage de la position «LOW» du robinet de brûleur à valve double (Fig. 14)

Note: Sur le robinet double, la position «LOW» pour chacune des portions du brûleur (la portion arrière et la portion centrale du brûleur «Pont») doit être ajustée individuellement.

- a. Poussez et tournez le bouton de commande à la position LITE jusqu'à ce que le brûleur s'allume.
- b. Tournez **rapidement** le bouton de commande de la position «HI» à la position «LOW».
- c. Si le brûleur s'éteint, tournez le bouton de commande à la position OFF (arrêt).

## INSTRUCTIONS D'INSTALLATION POUR CUISINIÈRE SUR PIEDS DE 30" À ALIMENTATION MIXTE (Modèles avec four électrique et plaque de cuisson à gaz)

- d. Enlevez le bouton de commande et réglez le robinet comme indiqué à l'étape e.
- e. La dimension de la flamme de la portion arrière du brûleur «Pont» peut être augmentée ou diminuée en tournant la vis **A**. Utilisez la vis **B** pour ajuster la dimension de la flamme de la portion centrale du brûleur «Pont». On peut augmenter ou diminuer l'intensité de la flamme en faisant tourner les vis. Tournez dans le sens inverse des aiguilles d'une montre pour augmenter la dimension de la flamme et dans le sens des aiguilles d'une montre pour la diminuer. Réglez la flamme, jusqu'à ce que vous puissiez tourner rapidement le bouton de la position «HI» à la position «LOW», sans que la flamme ne s'éteigne. La flamme, aussi faible que possible, devrait être stable sans s'éteindre.

**NOTE:** Les brûleurs de surface ne nécessitent pas de réglage de mélange d'air.

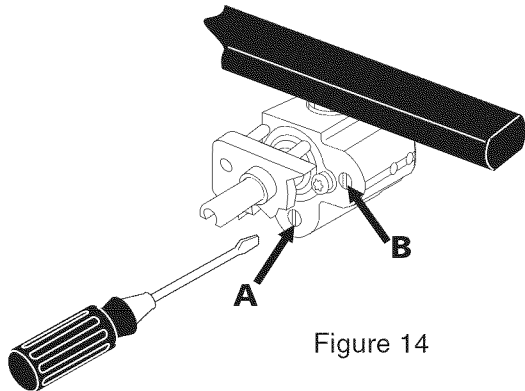


Figure 14

### 10.6 Fonctionnement éléments du four.

Ce four est équipé d'une commande de four électronique. Chacune des fonctions a été vérifiée à l'usine avant l'expédition. Nous vous suggérons cependant de vérifier une fois de plus le fonctionnement des commandes du contrôleur électronique. Référez-vous au [Guide de l'utilisateur](#) pour le mode de fonctionnement. Suivez les instructions sur les fonctions de l'Horloge (Clock), de la Minuterie (Timer), de la cuisson au four (Bake), au grill (Broil), par convection (Convection) (certains modèles) et de nettoyage (Clean).

**Cuisson au four (Bake)**– Après avoir réglé le four à 350°F (177°C) pour la cuisson au four, l'élément inférieur du four doit devenir rouge.

**Cuisson au grill (Broil)**– Lorsque le four est réglé à Cuisson au GRIL (BROIL), l'élément supérieur du four doit devenir rouge.

**Nettoyage (Clean)**– Lorsque le four est réglé pour un cycle autonettoyant, l'élément supérieur devrait devenir rouge durant le préchauffage du cycle. Une fois la température du cycle autonettoyant atteinte, l'élément inférieur devient rouge.

**Convection (certains modèles)**– Lorsque le four est réglé à CONV. BAKE/ROAST à 350°F (177°C), les deux éléments s'allument et s'éteignent à tour de rôle et le ventilateur de convection se met à tourner. Le ventilateur de convection arrête de tourner lorsque la porte du four est ouverte durant la cuisson par convection.

### Lorsque tous les raccords sont terminés

Vérifiez que toutes les commandes soient en position d'arrêt (OFF).

Assurez-vous que la circulation d'air de combustion et de ventilation à la cuisinière n'est pas obstruée.

### Emplacement des numéros de modèle et de série

La plaque signalétique est située sur le châssis avant du four, derrière la porte du four (certains modèles) ou sur le côté du tiroir (certains modèles).

Lors d'une commande de pièces ou pour toute demande de renseignements au sujet de votre cuisinière, assurez-vous de toujours inclure les numéros de modèle et de série et le numéro de lot ou une lettre de la plaque signalétique de votre cuisinière.

La plaque signalétique vous donne également la capacité des brûleurs, le type de carburant et la pression à laquelle la cuisinière a été réglée au moment de l'expédition.

### Emplacement de la plaque signalétique.

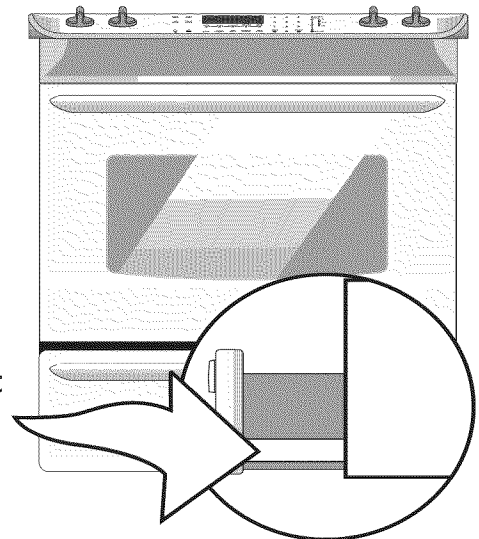


Figure 15

### Avant d'appeler le service d'entretien

Réviser la liste de vérifications préventives et les instructions d'opération dans votre Guide de l'utilisateur. Vous sauvez probablement du temps et de l'argent. La liste contient les événements ordinaires qui ne résultent pas de défauts dans le matériel ou la fabrication de cet appareil.

Pour obtenir notre adresse et nos numéros de téléphone, référez-vous à la garantie et aux renseignements sur les services d'entretien dans votre [Guide de l'utilisateur](#).

Prière de nous téléphoner ou de nous écrire pour toute demande d'information au sujet de votre cuisinière et/ou si vous désirez commander des pièces.

## 11. Instructions d'installation des supports anti-bascules

Pour réduire le risque de basculement de la cuisinière, protégez-la en installant les vis et les supports anti-bascules fournis avec la cuisinière. Ils sont situés dans un sac de plastique dans le four. Si vous n'installez pas ces supports anti-bascules, la cuisinière risque de basculer si un poids excessif est placé sur une porte ouverte ou si un enfant y grimpe. Les renversements de liquides chauds ou la cuisinière peuvent provoquer de sérieuses blessures.

Suivez les instructions ci-dessous pour installer les supports anti-bascules.

Si vous déplacez la cuisinière pour l'installer à un autre endroit, vous devez également déplacer les supports anti-bascules pour les réinstaller avec la cuisinière. Voyez l'étape 5 pour vérifier comment procéder à une installation correcte.

### Outils Requis :

Tourne-écrou de 5/16" (0,79 cm) ou tournevis à tête carrée  
Clé à molette

Perceuse électrique

Foret de 3/16" (0,48 cm) de diamètre

Foret de maçonnerie de 3/16" (0,48 cm) diamètre (si l'installation se fait dans du béton)

Les supports anti-bascules se fixent au plancher, à l'arrière de la cuisinière, pour retenir les deux pieds niveleurs. En les fixant au plancher, assurez-vous que les vis ne pénètrent pas dans la plomberie ou le câblage électrique. Les vis fournies fonctionneront aussi bien dans du bois que dans du béton.

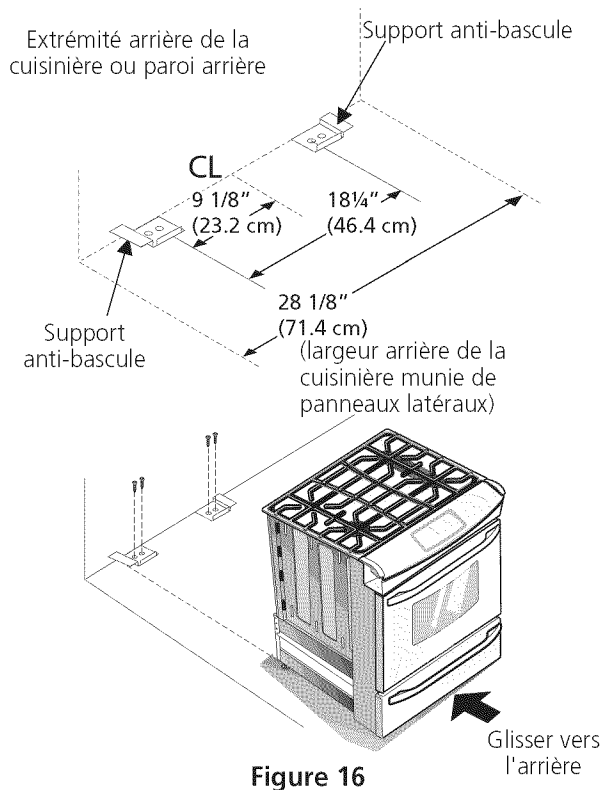


Figure 16

1. Dépliez le gabarit de papier et placez-le à plat sur le plancher, l'endos et les extrémités des côtés exactement à l'endroit où l'arrière et les côtés de la cuisinière seront placés lors de l'installation (utilisez le diagramme ci-dessous pour localiser les supports anti-bascules si le gabarit de papier n'est pas disponible).
2. Tracez sur le plancher l'emplacement des 4 trous de montage indiqués sur le gabarit. Pour faciliter l'installation, des trous pilotes d'un 1/2" (1.3 cm) de profondeur et 3/16" (0.5 cm) de diamètre peuvent être percés dans le plancher.
3. Enlevez le gabarit et placez les supports anti-bascules sur le plancher, le rebord renversé vers l'avant. Alignez les trous dans les supports anti-bascules avec les trous tracés sur le plancher et fixez les supports à l'aide des 4 vis fournies. Les supports anti-bascules doivent être fixés sur un plancher solide. Si vous les fixez à un plancher en béton, percez d'abord des trous pilotes de 3/16" (0.5 cm) de diamètre à l'aide d'un foret à maçonnerie de 3/16" (0.5 cm) diamètre.
4. Mettez la cuisinière à niveau au besoin, en ajustant les 4 pieds niveleurs à l'aide d'une clé à molette (voir Figure 17). Un dégagement minimum de 1/8" (0.3 cm) est requis entre le bas de la cuisinière et les pieds niveleurs arrière pour disposer de suffisamment d'espace pour installer les supports anti-bascules.
5. Remplacez la cuisinière en la faisant glisser, assurez-vous que les pieds arrière ont été bien agrippés par les extrémités des supports anti-bascules. Il est possible que vous ayez à la déplacer légèrement d'un côté en la repoussant vers l'arrière pour que les pieds arrière s'alignent avec les supports anti-bascules. Agrippez le dessus de l'extrémité arrière de la cuisinière et essayez soigneusement de l'incliner vers l'avant pour vous assurer que la cuisinière est correctement ancrée.

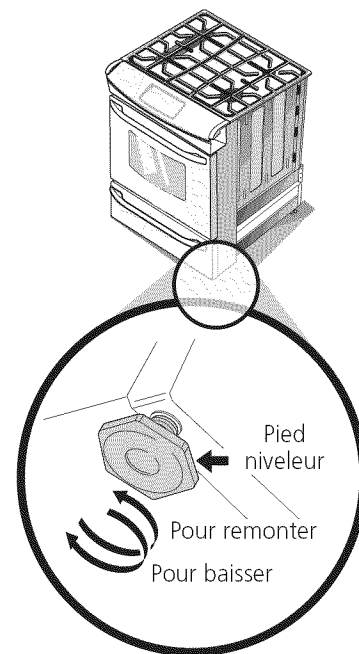
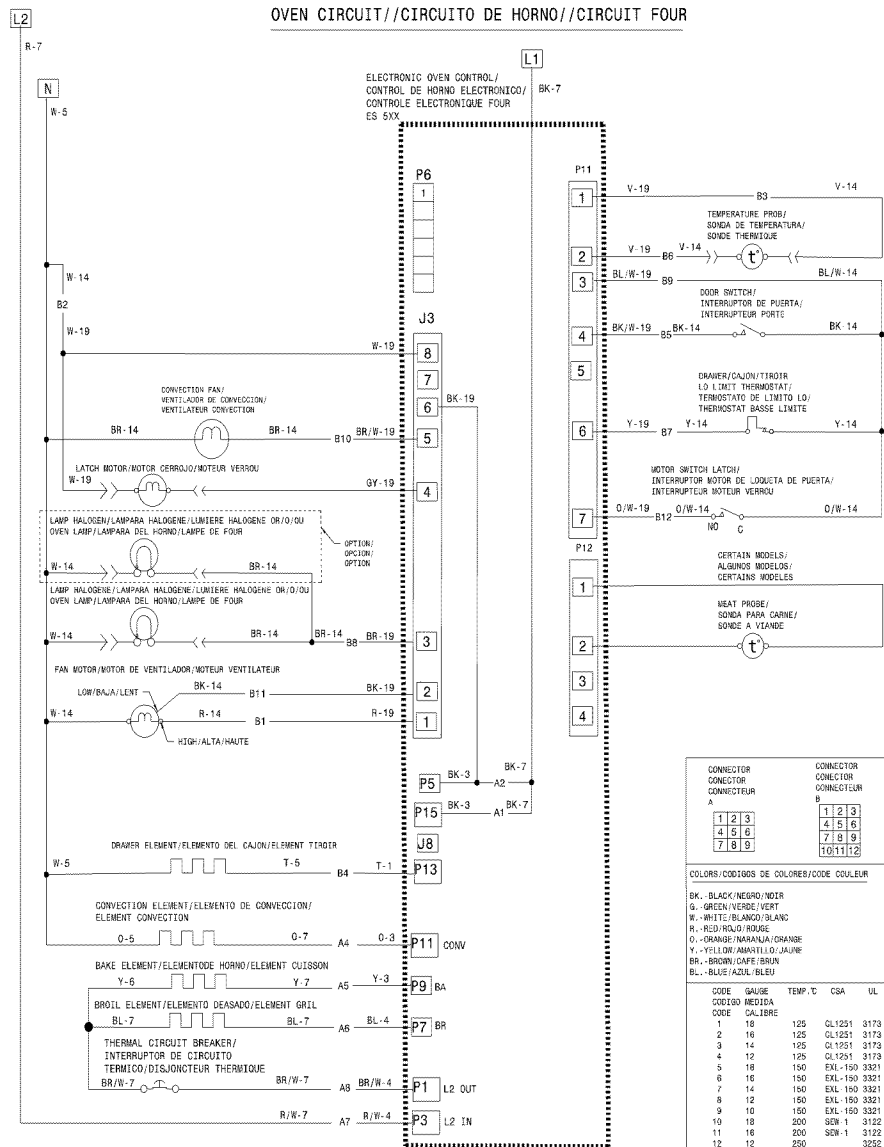


Figure 17

## OVEN CIRCUIT//CIRCUITO DE HORNO//CIRCUIT FOUR



CAUTION: DISCONNECT POWER BEFORE SERVICING UNIT.

LABEL ALL WIRES PRIOR TO DISCONNECTION WHEN SERVICING CONTROLS.  
WIRING ERRORS CAN CAUSE IMPROPER AND DANGEROUS OPERATION.  
VERIFY PROPER OPERATION AFTER SERVICING.

ATENCION: CORTAR LA CORRIENTE ANTES DE REALIZAR EL MANTENIMIENTO DEL ELECTRODOMESTICO.

ETIQUETE TODOS LOS CABLES ANTES DE DESCONECTAR CUANDO HAGA EL SERVICIO A LOS CONTROLES.  
ERRORES AL VOLVER A ENSAMBLAR LOS CABLES PUEDE CAUSAR FALLAS U OPERACIONES PELIGROSAS.  
VERIFIQUE LA CORRECTA OPERACION DESPUES DEL SERVICIO.

ATTENTION: COUPEZ L'ALIMENTATION AVANT D'EFFECTUER LA REPARATION.

IDENTIFIEZ TOUS LES FILS AVANT DE LES DEBRANCHER QUAND L'APPAREIL EST HORS SERVICE.  
LES ERREURS DE CONNECTION DE FILS PEUVENT CAUSER UN MAL FONCTIONNEMENT ET UN DANGER D'USAGE DE L'APPAREIL.  
VERIFIEZ LE BON FONCTIONNEMENT DE L'APPAREIL APRES LE SERVICE.

CONNECTOR CONJONCTEUR A	CONNECTOR CONJONCTEUR B
1 2 3	1 2 3
4 5 6	4 5 6
7 8 9	7 8 9
	10 11 12

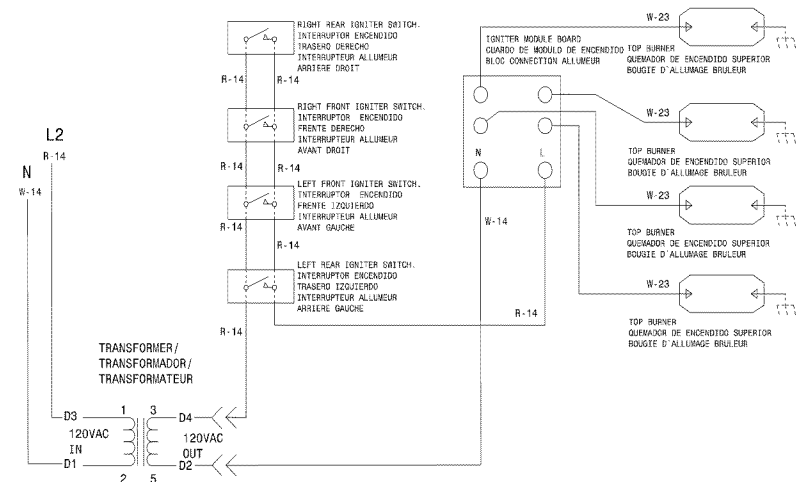
COLORS/CODIGOS DE COLORES/CODE COULEUR

BK.- BLACK/NEGRO/NOIR  
G.- GREEN/VERDE/VERT  
W.- WHITE/BLANCO/BLANC  
R.- RED/ROJO/ROUGE  
O.- ORANGE/NARANJA/ORANGE  
Y.- YELLOW/AMARILLO/JAUNE  
BR.- BROWN/CAFE/BRUN  
BL.- BLUE/AZUL/BLEU

CODE CODIGO MEDIDA CODE CALIBRE	GAUGE	TEMP. °C	CSA	UL
1	18	125	CL1251	3173
2	16	125	CL1251	3173
3	14	125	CL1251	3173
4	12	125	CL1251	3173
5	18	150	EKL-150	3321
6	16	150	EKL-150	3321
7	14	150	EKL-150	3321
8	12	150	EKL-150	3321
9	10	150	EKL-150	3321
10	18	200	SEW-1	3122
11	16	200	SEW-1	3122
12	12	250		3292
13	16	250		3292
14	20	150	EKL-150	3321
15	8	150	EKL-150	3321
16	8	60		
17	10	100		
18	10	200	SEW-1	3122
19	20	125	CL1251	3173
20	20	200	SEW-1	3122
21	22	125		3292
22	22	150		10199
23	18	200		3573

318550104 REV:A  
PAGE:1/2

## COOKTOP CIRCUIT / CIRCUITO DE PLANCHA DE COCINAR / CIRCUIT TABLE CUISSON



CONNECTOR CONJONCTEUR D
1 3
2 4

CAUTION: DISCONNECT POWER BEFORE SERVICING UNIT.

LABEL ALL WIRES PRIOR TO DISCONNECTION WHEN SERVICING CONTROLS.  
WIRING ERRORS CAN CAUSE IMPROPER AND DANGEROUS OPERATION.  
VERIFY PROPER OPERATION AFTER SERVICING.

ATENCION: CORTAR LA CORRIENTE ANTES DE REALIZAR EL MANTENIMIENTO DEL ELECTRODOMESTICO.

ETIQUETE TODOS LOS CABLES ANTES DE DESCONECTAR CUANDO HAGA EL SERVICIO A LOS CONTROLES.  
ERRORES AL VOLVER A ENSAMBLAR LOS CABLES PUEDE CAUSAR FALLAS U OPERACIONES PELIGROSAS.  
VERIFIQUE LA CORRECTA OPERACION DESPUES DEL SERVICIO.

ATTENTION: COUPEZ L'ALIMENTATION AVANT D'EFFECTUER LA REPARATION.

IDENTIFIEZ TOUS LES FILS AVANT DE LES DEBRANCHER QUAND L'APPAREIL EST HORS SERVICE.  
LES ERREURS DE CONNECTION DE FILS PEUVENT CAUSER UN MAL FONCTIONNEMENT ET UN DANGER D'USAGE DE L'APPAREIL.  
VERIFIEZ LE BON FONCTIONNEMENT DE L'APPAREIL APRES LE SERVICE.

318550104  
PAGE:2/2