



5.0 Horsepower HIGHWHEEL WEEDTRIMMER

MODEL NO.
536.77350



Caution:
Read and follow all Safety Rules
and Operating Instructions before
first use of this product.

SEARS, ROEBUCK AND CO., Hoffman Estates, IL 60179 U.S.A.

712504 02/25/99

SAFETY

ASSEMBLY

OPERATION

MAINTENANCE

PARTS LIST

ESPOÑOL

TABLE OF CONTENTS

WARRANTY STATEMENT	2	TROUBLE SHOOTING CHART ..	19
SAFETY RULES	3	SLOPE GUIDE	21
INTERNATIONAL SYMBOLS	5	REPAIR PARTS	22
ASSEMBLY	6	ENGINE REPAIR PARTS	28
OPERATION	8	SPANISH (ESPAÑOL)	34
MAINTENANCE	12	PARTS ORDERING/SERVICE ..	
SERVICE AND ADJUSTMENT ..	15		BACK COVER

WARRANTY STATEMENT

LIMITED TWO-YEAR WARRANTY ON CRAFTSMAN WEEDTRIMMER

For two years from the date of purchase, when this Craftsman Weedtrimmer is maintained, lubricated, and tuned up according to the operating and maintenance instructions in the owner's manual, Craftsman will repair, free of charge, any defect in material or workmanship.

If this Craftsman Weedtrimmer is used for commercial or rental purposes, this warranty applies for only 90 days from the date of purchase.

This warranty does not cover the following:

- Expendable items which become worn during normal use, such as spark plugs, etc.
- Repair necessary because of operator abuse or negligence, including bent crankshafts and the failure to maintain the equipment according to the instructions contained in the owner's manual.

WARRANTY SERVICE IS AVAILABLE BY RETURNING THE CRAFTSMAN WEEDTRIMMER TO THE NEAREST CRAFTSMAN SERVICE CENTER/DEPARTMENT IN THE UNITED STATES. THIS WARRANTY APPLIES ONLY WHILE THIS PRODUCT IS IN USE IN THE UNITED STATES.

This warranty gives you specific legal rights, and you may also have other rights which may vary from state to state.

Sears, Roebuck and Co., D817WA, Hoffman Estates, IL 60179



WARNING:



The engine exhaust from this product contains chemicals known to the State of California to cause cancer, birth defects or other reproductive harm.

IMPORTANT: This unit is equipped with an internal combustion engine and must not be used on or near any unimproved forest-covered, brush-covered or grass-covered land unless the engine's exhaust system is equipped with a spark arrester meeting applicable local or state laws (if any). If a spark arrester is used, it must be maintained in effective working order by the operator.

In the State of California the above is required by law (Section 4442 of the California Public Resources Code). Other states may have similar laws. Federal laws apply on federal lands. See an Authorized Service Center for a spark arrester for the muffler.

SAFETY RULES

Safe Operation Practices for Trimmer.



WARNING: Look for this symbol to point out important safety precautions. It means: "Attention! Become Alert! Your Safety Is Involved."

I. General Operation

1. Read, understand, and follow all instructions on the machine and in the manual(s). Be thoroughly familiar with the controls and the proper use of the trimmer before starting.
2. Familiarize yourself with all of the safety and operating decals on this equipment and on any of its attachments or accessories.
3. Do not put hands or feet near or under rotating parts.
4. Only allow responsible individuals, who are familiar with the instructions, to operate the trimmer.
5. Inspect the area where the trimmer is to be used. Your equipment can propel small objects at high speed causing personal injury or property damage. Stay away from breakable objects, such as house windows, auto glass, greenhouses, etc.
6. Keep the area of operation clear of all persons, particularly small children, and pets.
7. Wear appropriate clothing such as a long-sleeved shirt or jacket. Also wear long trousers or slacks. Do not wear shorts.
8. Do not wear loose clothing which could get caught in this equipment.
9. Always wear safety goggles or safety glasses with side shields when operating trimmer to protect your eyes from foreign objects which can be thrown from the unit.
10. Always wear work gloves and sturdy footwear. Leather work shoes or short boots work well for most people. These will protect the operator's ankles and shins from small sticks, splinters, and other debris, and improve traction.
11. It is advisable to wear protective headgear to prevent the possibility of being struck by small flying particles, or being struck by low hanging branches, twigs, or other objects which may be unnoticed by the operator.
12. Do not operate the trimmer without proper guards or other safety protective devices in place.
13. Use this equipment for its intended purpose only.
14. See manufacturer's instructions for proper operation and installation of accessories.

15. Operate only in daylight or good artificial light.
16. Do not operate the trimmer while under the influence of alcohol, drugs or other medication which can cause drowsiness or affect your ability to operate this machine safely.
17. Never operate trimmer in wet grass. Always be sure of your footing; keep a firm hold on the handle and walk; never run.
18. Before each use, inspect the throttle control lever and cable. Make sure that the cable is free and that the lever is not damaged. Also check the cable linkage running to the carburetor for kinks, loose fittings, and obstructions. Verify that the control bail is working properly.
19. Stop the rotating trimmer head when crossing gravel drives, walks, or roads. Wait for the cutting lines to stop rotating.
20. Watch for traffic when operating near, or when crossing roads.
21. Stop the engine (motor) whenever you leave the equipment, before cleaning repairing or inspecting the unit, be sure the trimmer head and all moving parts have stopped. Let the engine cool, disconnect the spark plug wire and move it away from the spark plug.
22. If the equipment should start to vibrate abnormally, stop the engine (motor), disconnect the spark plug wire and prevent it from touching the spark plug. Check immediately for the cause. Vibration is generally a warning of trouble.
23. After striking a foreign object, stop the engine (motor). Remove the wire from the spark plug. Inspect the trimmer for damage. If damaged, repair before starting and operating the trimmer.
24. Never leave the trimmer unattended when the engine is running. Remove the wire from the spark plug.
25. Regularly inspect the trimmer. Make sure parts are not bent, damaged or loose.

II. Slope Operation

Slopes are a major factor related to slip and fall accidents which can result in severe injury. All

SAFETY RULES

slopes require extra caution. If you feel uneasy on a slope, do not trim it.

Do trim across the face of slopes; never up and down. Do not trim excessively steep slopes (maximum 15 degrees) or areas where the ground is very rough. See the "Guide" in the back of this manual to check a slope. Exercise extreme caution when changing direction on slopes.

Do remove objects such as rocks, tree limbs, etc.

Do watch for holes, ruts, or bumps. Tall grass can hide obstacles.

Do not trim near drop-offs, ditches, or embankments. The operator could lose footing or balance.

Do not trim excessively steep slopes.

Do not trim on wet grass. Reduced footing could cause slipping.

III. Children

Tragic accidents can occur if the operator is not alert to the presence of children. Children are often attracted to the trimmer and the trimming activity. *Never* assume that children will remain where you last saw them.

1. Keep children out of the trimming area and under the watchful care of a responsible adult.
2. Be alert and turn trimmer off if children enter the area.
3. Before and while moving backwards, look behind and down for small children.
4. Never allow children to operate the trimmer.
5. Use extra care when approaching blind corners, shrubs, trees, or other objects that may obscure vision.

IV. Service

1. Use extra care in handling gasoline and other fuels. They are flammable and vapors are explosive.
 - a. Use only an approved container.
 - b. Never remove gas cap or add fuel with the engine running. Allow engine to cool before refueling. Do not smoke.

- c. Never refuel the machine indoors.
 - d. Never store the machine or fuel container inside where there is an open flame, such as a water heater.
2. Never run an engine indoors or inside a closed area.
 3. Never make adjustments or repairs with the engine (motor) running. Disconnect the spark plug wire, and keep the wire away from the plug to prevent accidental starting (remove the ignition key if equipped with an electric start). Always wear eye protection when you make adjustments or repairs.
 4. Check the trimmer head and engine mounting bolts at frequent intervals for proper tightness.
 5. Keep all nuts and bolts tight and keep equipment in good condition. Check mounting hardware on trimmer head every time you change trimmer line and prior to each use.
 6. Never tamper with safety devices. Check their proper operation regularly.
 7. When servicing or repairing the trimmer, do not tip the machine over or up unless specifically instructed to do so in this Manual. Service and repair procedures can be done with the trimmer in an upright position. Some procedures will be easier if the machine is lifted on a raised platform or working surface.
 8. To reduce fire hazard, keep trimmer free of grass, leaves, or other debris build-up. Clean up oil or fuel spillage. Allow trimmer to cool before storing.
 9. Stop and inspect the equipment if you strike an object. Repair, if necessary, before restarting.
 10. Always disconnect spark plug wire before cleaning, repairing, or adjusting.
 11. Do not change the engine governor setting or over-speed the engine.
 12. Clean and replace safety and instruction decals as necessary.
 13. To guard against engine over-heating, always have engine debris filter mounted and clean.
 14. Inspect trimmer before storage.
 15. Use only original equipment or authorized replacement parts.

SAFETY RULES

INTERNATIONAL SYMBOLS

IMPORTANT: Many of the following symbols are located on your unit or on literature supplied with the product. Before you operate the unit, learn and understand the purpose for each symbol.

Control And Operating Symbols



Slow



Fast



Fuel



Oil

Safety Warning Symbols



WARNING
Thrown Objects.
Keep Bystanders Away.



WARNING
Rotating Parts. Stop Engine.
Disconnect Spark Wire Before
Making Adjustments.



WARNING



IMPORTANT
Read Owner's Manual
Before Operating
This Machine.



WARNING
Wear Eye Protection



STOP



WARNING
Never Operate Up Or
Down Slopes. Operate
Across Slopes.

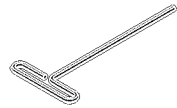
ASSEMBLY

ASSEMBLY

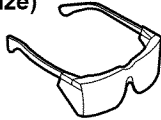
CONTENTS OF PARTS BAG

- 1 – Owner's Manual
- 1 – Parts Bag
- 1 – Fuel Stabilizer

(Not shown actual size)



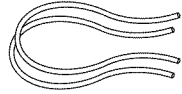
1 – T-Handle Wrench



1 – Safety Glasses



1 – 20 oz. Bottle Oil



2 Sets – Trimmer Lines
(0.155 inch diameter)



WARNING: Always wear safety glasses or eye shields while assembling the trimmer.

TOOLS REQUIRED

- 1 – Knife to cut carton.
- 1 – T-Handle Wrench.

Figure 1 shows the trimmer completely assembled and positioned in the carton for shipment.

References to the right or left hand side of the trimmer are from the viewpoint of the operator's position behind the unit.

TO REMOVE THE TRIMMER FROM CARTON

1. Remove the bottle of oil and parts bag from carton.
2. Remove the packing material positioned around the unit.
3. Cut down all four corners of the carton and lay the side panels flat.
4. Pull the trimmer out of the carton and off the base pad.
5. Remove packing material from around the trimmer head.
6. Remove protective plastic from front of frame.

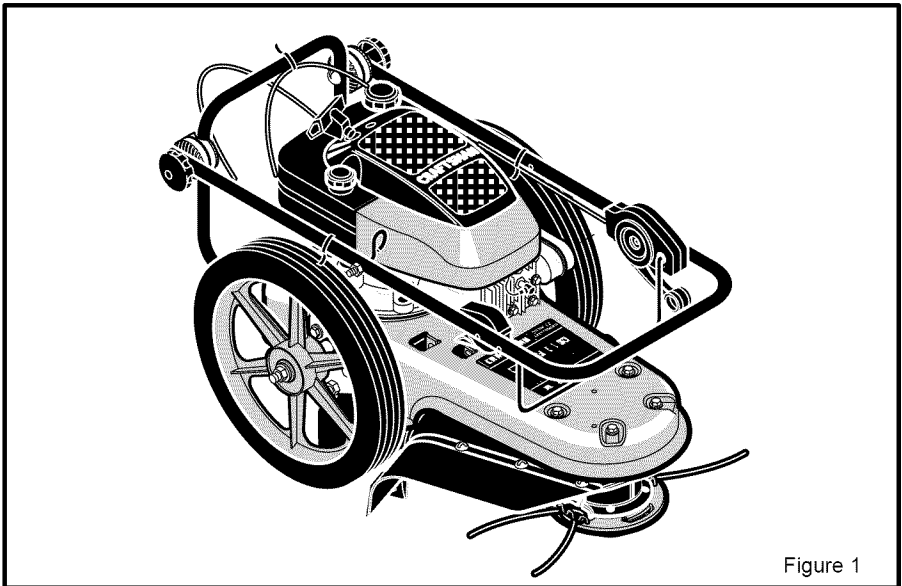


Figure 1

ASSEMBLY

HOW TO RAISE THE HANDLE

1. Hold the **handle** with one hand and loosen both **handle adjustment knobs** until the ratchet teeth are disengaged. Do not remove the **handle adjustment knobs**. See Figure 2.
2. Raise the **handle** to the operating position.
3. Stand in the operator's position behind the trimmer. Put the **handle** in a comfortable position. Make sure both sides of the **handle** are level.

NOTE: Make sure the cables are not caught between the upper and lower handle.

4. Tighten the **handle adjustment knobs**. Make sure the **handle pivots** are locked in place.

NOTE: The handle height is adjustable. See "How To Adjust The Height Of The Handle" in the Adjustment section.

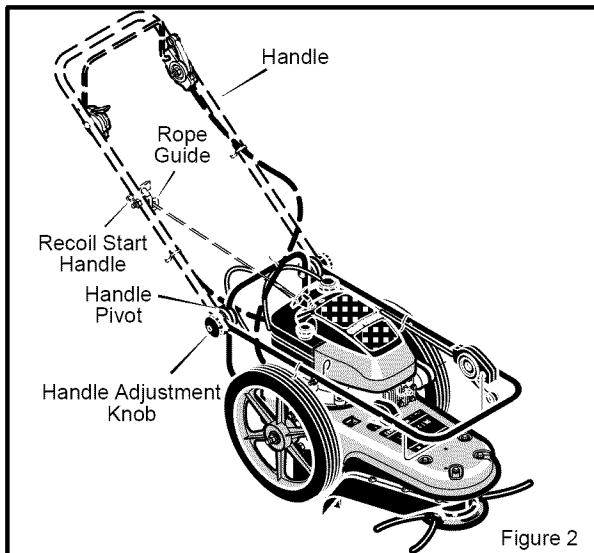


Figure 2

5. To attach the **recoil start handle** to the **rope guide**, twist the rope through the **rope guide** mounted on the right side of the handle.

ENGINE PREPARATION

Fill Crankcase With Oil

The trimmer was shipped with a container of SAE30 motor oil. This oil must be added to the engine before operating.

1. Remove the oil fill cap/dipstick shown in Figure 3. Fill the crankcase to the **FULL** line on oil fill cap/dipstick. **DO NOT OVER-FILL.**
2. Install the oil fill cap/dipstick and tighten securely.

Fill Fuel Tank With Gasoline

For the correct procedure and grade of

gasoline, see "How To Fill With Gasoline" in the Operation section.

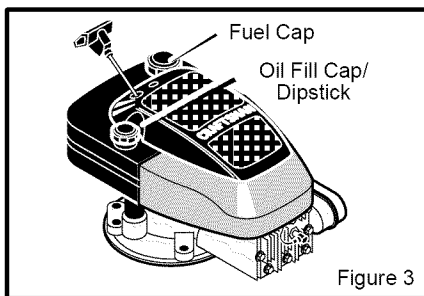


Figure 3

✓ CHECKLIST

For the best performance and satisfaction from this quality product, please review the following checklist before you operate the trimmer:

- ✓ All assembly instructions have been completed.
- ✓ Check carton. Make sure no loose parts remain in the carton.

As you learn how to use the trimmer, pay extra attention to the following important items:

- ✓✓ Engine oil is at correct level.
- ✓✓ Fuel tank is filled with fresh, clean, regular unleaded gasoline.
- ✓✓ Become familiar and understand the function of all controls. Before you start the engine, operate all controls.

OPERATION

KNOW YOUR TRIMMER

READ THE OWNER'S MANUAL AND ALL SAFETY RULES BEFORE YOU OPERATE the trimmer. To familiarize yourself with the location of the controls, compare the illustrations with your trimmer. **Save this manual for future reference.**

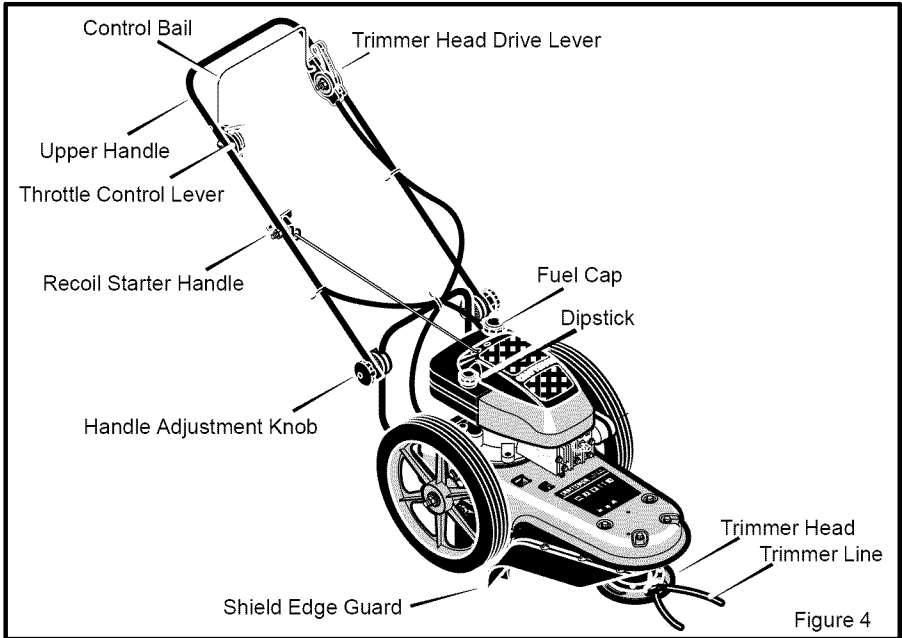


Figure 4

Trimmer Head Drive Lever – Engages the rotation of the trimmer head.

Control Bail – Release to stop the rotation of the trimmer head.

Throttle Control Lever – Controls the speed or stops the engine.

Primer Button – Injects fuel directly into the carburetor manifold for faster starts. See Figure 7.

Recoil Starter Handle – The engine is equipped with an easy pull recoil starter.

Shield Edge Guard – Protects the shield by automatically cutting the line to the correct length.

EYE PROTECTION



WARNING: Debris thrown from the trimmer can result in foreign objects being thrown into the eyes, which can cause severe eye damage. Always wear safety glasses or eye shields when operating the trimmer.

Always wear safety glasses. If you wear eye glasses, put a Wide Vision Safety Mask over your eye glasses.

712504

HOW TO STOP THE TRIMMER HEAD

1. Release the **control bail**. It will return to its open position and disengage the trimmer head.

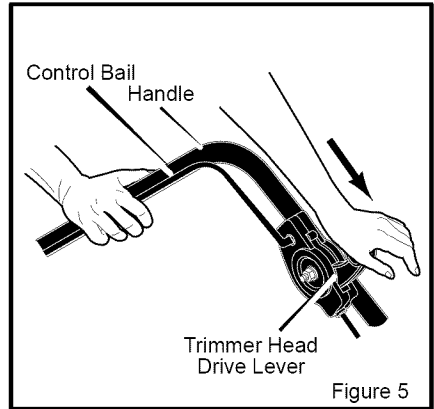
HOW TO STOP THE ENGINE

1. Move the **throttle control lever** completely back to the STOP position.

OPERATION

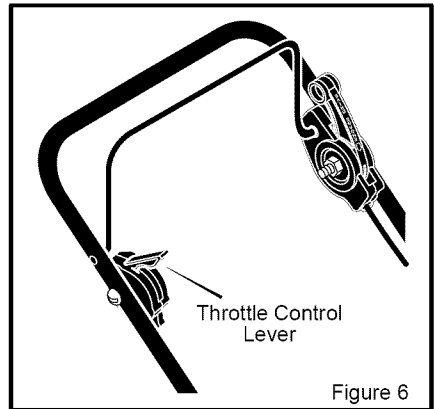
HOW TO USE THE TRIMMER HEAD DRIVE LEVER

1. To engage the trimmer head, hold the **control bail** against the **handle**. Move the **trimmer head drive lever** forward to engage the trimmer head. See Figure 5. The faster the engine runs, the faster the trimmer head will rotate.
2. Once the trimmer head is rotating, push the trimmer forward to trim.



HOW TO USE THE THROTTLE CONTROL

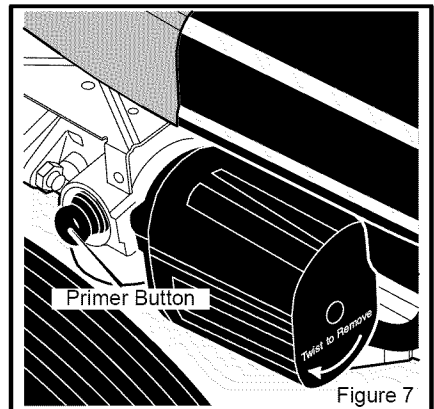
1. During normal use, set the **throttle control lever** in the FAST position to run the engine at full speed.
2. Pull the **throttle control lever** back to decrease engine speed. Push the **throttle control lever** forward to increase engine speed.
3. To stop the engine, pull the **throttle control lever** completely back to the STOP position.



HOW TO USE THE PRIMER BUTTON

1. Push the **primer button** five times. See Figure 7 for location. Wait approximately two seconds between each push.

NOTE: Do not use the primer button to restart a warm engine after a short shutdown.

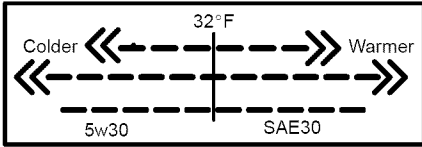


OPERATION

BEFORE STARTING THE ENGINE

Oil Recommendation

Only use high quality detergent oil rated with API service classification SG. Select the oil's SAE viscosity grade according to your expected operating temperature:



NOTE: Although multi-viscosity oils (5W30, 10W30, etc.) improve starting in cold weather, these multi-viscosity oils will result in increased oil consumption when used above 32°F. To avoid possible engine damage from running low on oil, frequently check your engine oil level.

Check The Engine Oil

Before each use, check the engine oil as follows:

1. Put the trimmer on a level surface.
2. Remove the oil fill cap/dipstick shown in Figure 8.
3. Make sure the oil reaches the FULL mark on the oil fill cap/dipstick.
4. If necessary, add oil until the FULL mark on the oil fill cap/dipstick is reached. **DO NOT OVERFILL.** See "Oil Recommendation" for the grade and type of oil to use.

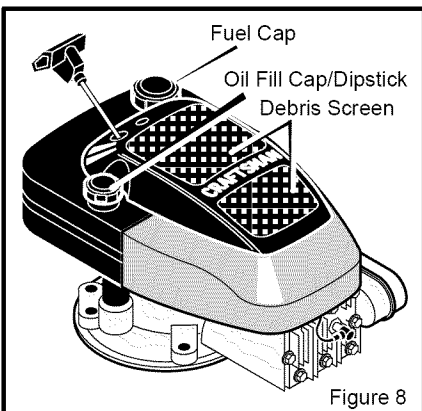


Figure 8

How To Fill With Gasoline

NOTICE: ENGINES WHICH ARE CERTIFIED TO COMPLY WITH CALIFORNIA AND US EPA EMISSION REGULATIONS FOR ULGE ENGINES: Are certified to operate on regular unleaded gasoline. Include the following emission control system(s): EM, TWC (if so equipped). Include any user adjustable features—therefore no other adjustments are needed.

WARNING: Never fill the gas tank while the engine is running or hot. Allow the engine to cool before adding gasoline. Immediately wipe off any spilled gasoline before you start the engine.

WARNING: Gasoline is flammable. Use caution when handling or storing gasoline. Keep away from an open flame or an electrical spark. Do not smoke while filling the fuel tank. Store gasoline in a clean, approved container in a cool well ventilated place; never in the house.

Fill the fuel tank with a fresh, clean, unleaded regular, unleaded premium, or reformulated automotive gasoline only. **DO NOT** use leaded gasoline. Be sure that the gasoline container is clean and free from dust or other foreign particles. Never use gasoline that is stale from long periods of storage. Reinstall fuel cap.

CAUTION: Alcohol blended fuels (called gasohol or using methanol) can attract moisture which leads to separation and formation of acids during storage. Acidic gas can damage the fuel system of an engine while in storage. To avoid engine problems, empty the fuel system before storage of 30 days or longer. Drain the fuel tank. Start the engine and let it run until the fuel lines and carburetor are empty. Never use engine or carburetor cleaner products in the fuel tank or permanent damage may occur. See "Storage Instructions" for additional information.

OPERATION

HOW TO START THE ENGINE

NOTE: DO NOT BE ALARMED, your engine will smoke the first time it is started. It is burning off the protective coating that is on the internal engine parts.



WARNING: Never leave the trimmer unattended while the engine is running. Wait for the trimmer lines to stop rotation.

1. Before each use, remove debris from the **debris screen** shown in Figure 8. Debris can cause the engine to overheat. Wipe the **debris screen** with a cloth or paper towel.
2. Move the throttle control lever forward to the **START** or **FAST** position.
3. To start a cold engine, push the primer button five times. Wait two seconds between each push of the primer button.

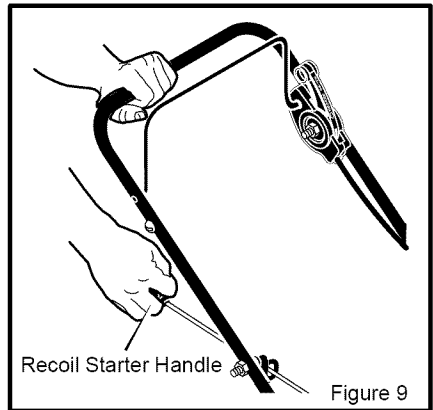
NOTE: Do not use the primer to start a warm engine.

4. Firmly hold the **recoil starter handle** with your right hand. See Figure 9.
5. Pull back sharply on the **recoil starter handle**. **DO NOT** allow the starter rope to snap back. Let the starter rope slowly re-wind as you hold the recoil starter handle.

NOTE: If engine fails to start after three pulls, push the primer button two times and again pull the recoil starter handle.



WARNING: Never run the engine indoors or in a poorly ventilated area. Engine exhaust contains carbon monoxide, an odorless and deadly gas. Keep hands, feet, hair and loose clothing away from the trimmer and any moving parts on the engine. Avoid the muffler and surrounding areas. Temperatures may exceed 150°F.



TRIMMER TIPS



WARNING: Debris such as sticks, gravel or rocks, can be thrown with sufficient force to cause personal injury or property damage.

- Set the throttle control in the **FAST** position. If the weeds or grass are tall and thick, operate the trimmer at a slower walking speed.
- Frequently clean the underside of the trimmer to remove any grass build up. See the Maintenance section for details.
- For best results and longer lasting line, use the ends of the line to do the cutting. This is easily done by moving slowly through very thick or heavy weeds.
- If the trimmer lines become too short, it will 712504

take longer to complete the job. If the trimmer lines are worn to less than half their original length, change to a new trimmer line. "See How To Change The Trimmer Line" in the Service And Adjustment section.

- Do not trim on excessively steep slopes. If a slope is difficult to stand on, do not trim. Do not trim on slopes when the ground is slippery or wet. Trim across the face of a slope, not up and down.
- Trimmer head contact to concrete, asphalt and harder services may create premature wear to the **height guide** (See Figure 16).

MAINTENANCE

CUSTOMER RESPONSIBILITIES

SERVICE RECORDS Fill in dates as you complete regular service.	Before Each Use	Every 5 Hours	Every 25 Hours	Every 100 Hours	As Noted	SERVICE DATES
Check Engine Oil Level	√					
Check trimmer Lines	√				1	
Check Trimmer Head Engagement	√					
Engine/Machine Cleaning	√				2	
Check Nuts and Bolts	√					
Check Spark Plug			√			
Change Engine Oil			√			
Service Air Filter			√		3	
Lubricate Jackshaft Assembly			√			
Lubricate Wheel Bearings			√			

Note 1 – When old line is half the original length, replace with new line.

Note 2 – Clean daily if used in extremely dusty or dirty conditions.

Note 3 – Change more often if used in extremely dusty or dirty conditions.

PRODUCT SPECIFICATIONS

Trimmer Line Diameter	0.155 inch
Trimmer Line Length	21.5 inches
Horse Power	5
Displacement	11.5 cu. in.
Gasoline Capacity	1.5 quarts
Oil Capacity	20 oz.
Spark Plug	Champion RJ-19LM
Spark Plug Gap	0.030 inch

712504

GENERAL RECOMMENDATIONS

The warranty on this trimmer does not cover items that have been subjected to operator abuse or negligence. To receive full value from the warranty, the operator must maintain the trimmer as instructed in this manual.

Some adjustments must be made periodically to properly maintain your trimmer.

All adjustments in the Service and Adjustments section of this manual must be checked at least once each season.

MAINTENANCE

LUBRICATION

How To Lubricate The Jackshaft Assembly

A **grease fitting** is provided to lubricate the jackshaft assembly. Use a grease gun with automotive type grease to lubricate the jackshaft assembly as shown in Figure 10.

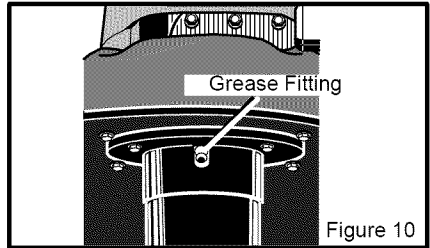


Figure 10

How To Change Engine Oil

Change the engine oil when the engine is warm. For the proper oil capacity, see "Product Specifications".

1. Disconnect spark plug wire from the spark plug.
2. Remove the **oil drain plug** as shown in Figure 11.
3. Drain all the engine oil into a flat pan.
4. Install the **oil drain plug**. Make sure the **oil drain plug** is tight.
5. Remove the dipstick.
6. Fill the engine crankcase. **DO NOT OVERFILL**. For proper oil capacity, see "Product Specifications".

7. Connect the spark plug wire to the spark plug.

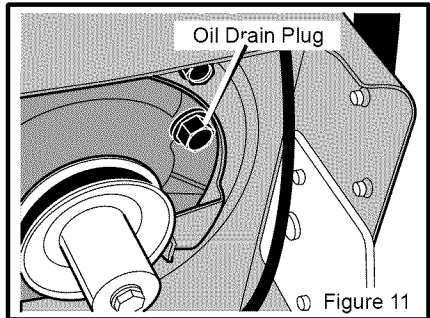


Figure 11

HOW TO REPLACE THE AIR FILTER

Replace the air filter once a year or more often in dusty or dirty conditions. **DO NOT** attempt to clean or oil the air filter. Remove and install a new air filter as follows:

CAUTION: Never run the engine without the air filter installed. An air filter clogged with dust can result in loss of engine power and can cause excessive wear or damage to the engine. If the air filter is clogged, replace immediately.

1. Disconnect the spark plug wire from the spark plug.
2. Turn the **cover** clockwise as shown in Figure 12. Remove the **cover** and the **air filter**.
3. Discard the old **air filter**.
4. Clean the **cover** and the **flange**.

5. Put the new **air filter** into the **cover**.
6. Push the **cover** firmly against the **flange**. Turn the **cover** counterclockwise until tight. Be sure the retainers are locked around the **flange**.
7. Connect the spark plug wire to the spark plug.

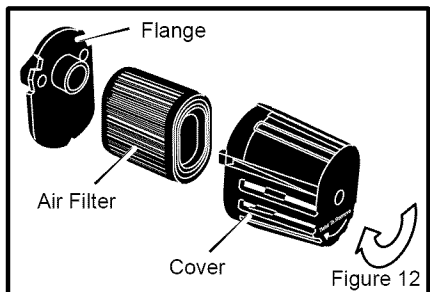


Figure 12

MAINTENANCE

SPARK PLUG

Check the **spark plug** every 25 hours. Replace the **spark plug** if the electrodes are pitted or burned or if the porcelain is cracked.

1. Make sure the **spark plug** is clean. Clean the **spark plug** by carefully scraping the electrodes (do not sand blast or use a wire brush).
2. Check the **spark plug** gap with a **feeler gauge**. See "Product Specifications" for the correct **spark plug** gap and replacement **spark plug**.
3. Before installing the **spark plug**, coat the threads lightly with oil for easy removal.

Tighten the spark plug to a torque of 15 foot-pounds.

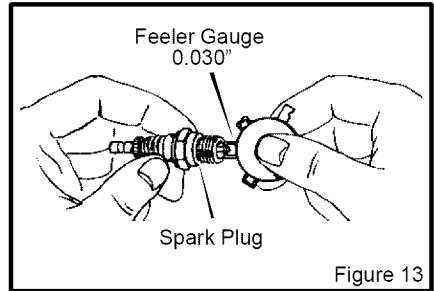


Figure 13

SERVICE AND ADJUSTMENT

SERVICE AND ADJUSTMENT



WARNING: Before you inspect, clean or service the trimmer, stop the engine. Make sure that all moving parts have stopped. Disconnect the wire from the spark plug.

HOW TO REPLACE THE TRIMMER LINE

For the best performance, use a heavy gauge (0.155" diameter) **trimmer line**. Cut the length of the **trimmer line** to 21.5 inches. Use the length guide, located on the **shield**, to make sure the **trimmer line** is the correct length. See Figure 14. Do not allow the length of the lines to vary more than one inch. This is important to make sure the trimmer head is balanced and does not vibrate.

IMPORTANT: To extend the life of the trimmer line, keep the trimmer line moist. If not kept moist, the nylon trimmer line will become dry and brittle. Keep extra trimmer line in a can of water. The line will then stay flexible and easy to change. A flexible line will also last much longer.

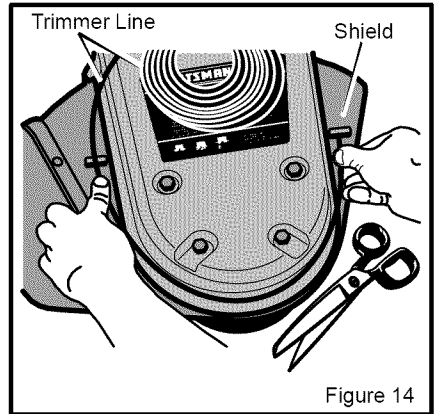
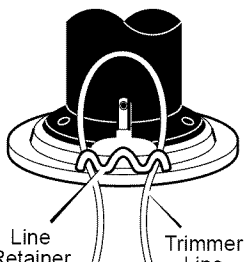
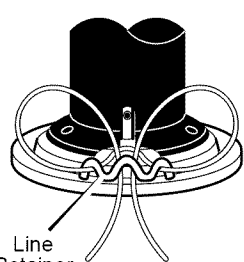
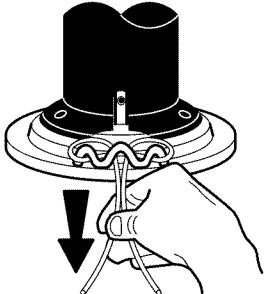


Figure 14

HOW TO CHANGE TRIMMER LINES

When the trimmer line becomes worn to half the original length, replace the trimmer line as follows:

 <p>Line Retainer Trimmer Line</p>	 <p>Line Retainer</p>	
<ol style="list-style-type: none">1. Stop the engine. Wait for all moving parts to stop.2. Remove worn trimmer line from line retainer.3. First, thread the ends of the new trimmer line through the outside loops.	<ol style="list-style-type: none">4. Next, take the ends of the line, cross over the line retainer, and thread the ends through the center hole.	<ol style="list-style-type: none">5. Then, check to make sure that the ends of the line are even.

SERVICE AND ADJUSTMENT

HOW TO ADJUST THE HEIGHT OF THE HANDLE

Use the **knobs**, on each side of the **handle**, to adjust the height of the handle.

1. Hold the **handle** with one hand and loosen both **knobs** until the **ratchet teeth** are disengaged. Do not remove the **knobs**. See Figure 15.
2. Move the **handle** up or down to the desired position, then align the **ratchet teeth**. Make sure both sides of the **handle** are level.
3. Tighten the **knobs**.

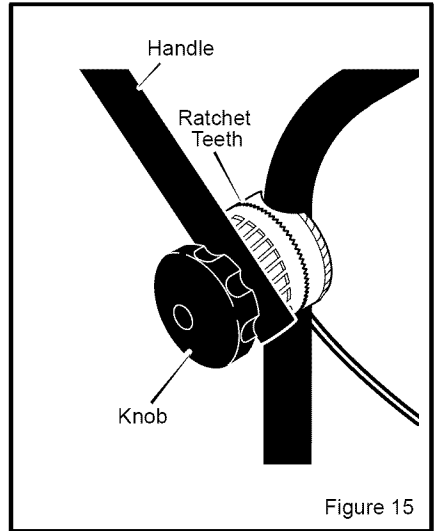


Figure 15

HOW TO SET THE HEIGHT OF CUT



CAUTION: Before you set the height of cut: stop the engine. Wait for all moving parts to stop. Allow the engine to cool and disconnect the spark plug wire.

The height of cut can be set from 1–1/2 inches to 3 inches. Recommended cutting height for the average yard is 2”.

1. Use the **T-wrench**, found in the parts bag, to loosen the **set screw** shown in Figure 16.
2. Set the **trimmer head** at the desired height.
3. Tighten the **set screw**.

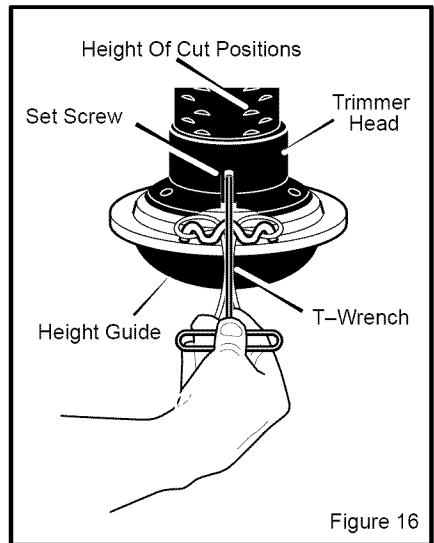


Figure 16

SERVICE AND ADJUSTMENT

HOW TO REPLACE THE DRIVE BELT

To replace the drive belt, the trimmer head and shield must be removed as follows.



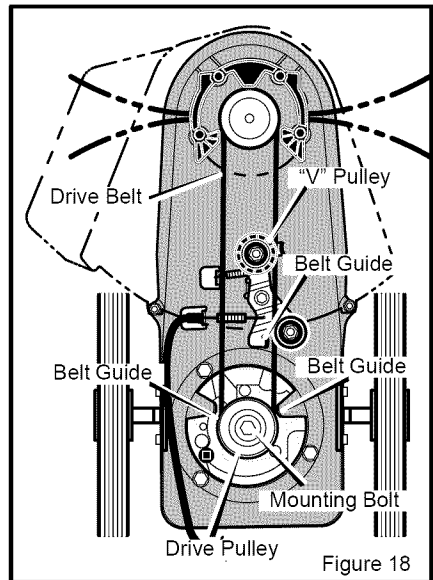
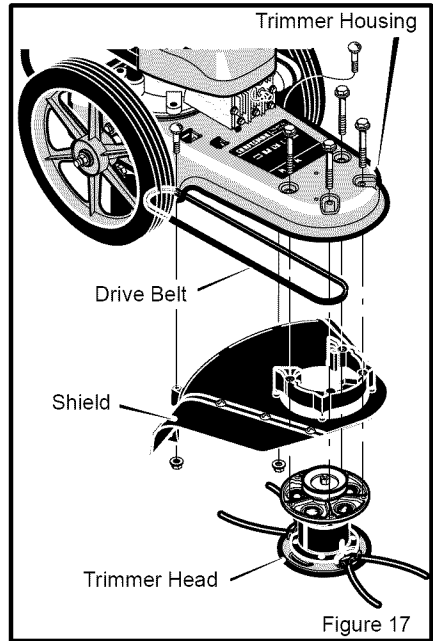
WARNING: Before you remove the drive belt, disconnect the wire from the spark plug.

1. Remove the two fasteners that hold the rear of the **shield** to the **trimmer housing** (See Figure 17).
2. Remove the four fasteners that hold the front of the **shield** and **trimmer head** to the **trimmer housing**.
3. Remove the "V" pulley from the idler bracket.
4. Raise the front of the **trimmer housing** and remove the **drive belt**. On some models, it is necessary to loosen the **mounting bolt** for the **drive pulley** to remove the drive belt (see Figure 18). Do not bend the belt guides.

NOTE: Make sure you replace the drive belt only with a replacement belt from the factory.

5. To assemble the **drive belt**, reverse the above steps. Make sure all fasteners are tight. Make sure the **mounting bolt** for the **drive pulley** is tight.
6. Check the routing of the **drive belt**. Make sure the **drive belt** is inside of all **belt guides** shown in Figure 18.

IMPORTANT: Test the drive system. Start the engine and move the throttle control to the **FAST** position. Engage and disengage the trimmer head several times. When disengaged, make sure the trimmer head completely stops when resting on the ground. If the trimmer head continues to rotate, take the trimmer to the nearest Craftsman Service Center.



SERVICE AND ADJUSTMENT

STORAGE



WARNING: Do not remove gasoline while inside a building, near a fire, or while you smoke. Gasoline fumes can cause an explosion or a fire.

When the trimmer is put in storage for thirty days or more, follow the steps below to make sure the trimmer is in good condition the following season.

Trimmer

- Completely clean the trimmer.
- Put the trimmer in a building that has good ventilation.

NOTE: A yearly checkup or tune-up at a Craftsman authorized service center will make sure that the trimmer will provide maximum performance for the next season.

Engine

IMPORTANT: It is important to prevent gum deposits from forming in fuel system parts such as the carburetor, fuel filter, fuel hose, and tank during storage. Also, using alcohol-blended fuels (called gasohol, ethanol or methanol) can attract moisture which leads to separation and formation of acids

during storage. Acidic gas can damage the fuel system of an engine while in storage.

To prevent engine damage when the trimmer is in storage for 30 days or more, follow the steps below:

- Let the engine run until it is out of gasoline.
- Drain the oil from the warm engine. Fill the engine crankcase with new oil.
- Remove the spark plug from the cylinder. Pour one ounce of oil into the cylinder. Slowly pull the recoil starter handle so that the oil will protect the cylinder. Install a new spark plug in the cylinder.
- Clean dirt and debris from the cylinder cooling fins and the engine housing.
- If you do not want to remove gasoline, add a fuel stabilizer, such as Craftsman fuel stabilizer No. 33500, to any gasoline left in the tank. Craftsman fuel stabilizer will minimize the formation of gum deposits and acids. If the tank is almost empty, mix Craftsman fuel stabilizer with fresh gasoline in a separate container and add the mixture to the tank. Always follow the instructions on the stabilizer container. Run the engine at least ten minutes after stabilizer is added to allow the mixture to reach the carburetor.

TROUBLE SHOOTING CHART

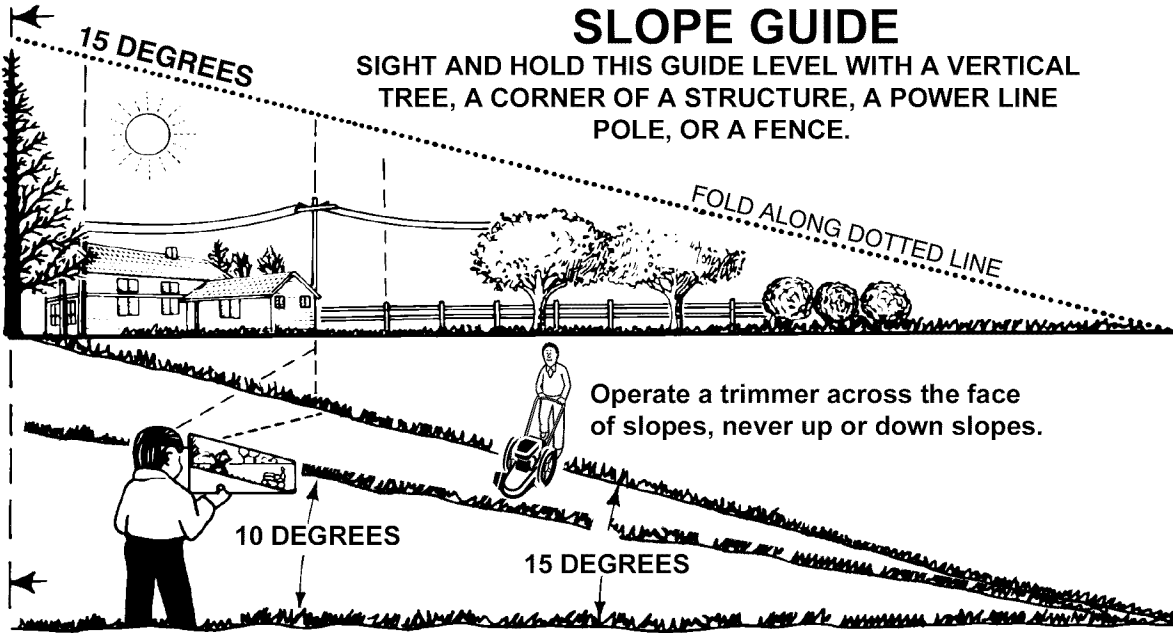
TROUBLE	CAUSE	CORRECTION
Engine does not start	Spark plug wire disconnected.	Connect spark plug wire.
	Engine not primed.	Prime engine.
	Defective or incorrectly gapped spark plug.	Inspect or replace spark plug.
	Fuel tank empty.	Add fuel.
	Dirty carburetor or fuel line.	Clean carburetor or fuel line.
	Dirty air filter.	Replace air filter.
	Carburetor out of adjustment.	For carburetor adjustment, take the unit to a Craftsman Service Center.
	Engine flooded.	Wait several minutes before starting.
	Throttle control lever in incorrect position.	Move throttle lever to FAST or START position.
	Stale gasoline.	Drain old gasoline and add fresh gasoline.
	Defective throttle control lever or wire.	Inspect lever and wire. Replace if damaged or defective.
Engine runs poorly.	Bad spark plug.	Replace spark plug.
	Dirty air filter.	Replace air filter.
	Carburetor out of adjustment.	Adjust carburetor. Take the unit to a Craftsman Service Center.
	Stale gasoline.	Drain old gasoline. Add fresh gasoline.
	Engine cooling system clogged.	Clean engine screen and cooling fins.

TROUBLE SHOOTING CHART

Engine overheats.	Engine cooling system clogged.	Clean debris screen and engine cooling fins.
	Carburetor out of adjustment.	Adjust carburetor. Take the unit to a Craftsman Service Center.
	Oil level is low.	Add oil.
Engine will not stop running.	Defective throttle control lever or wire.	Inspect and replace damaged parts.
	Throttle not adjusted properly.	Move throttle to the full OFF position.
Poor trimming performance.	Trimmer line length is too short.	Correct line length is 21.5 inches. When less than 1/2 this length, replace the line.
	Engine not set at FAST speed.	Move engine throttle lever to FAST position.
Trimmer vibrates.	Set screw for trimmer head is loose.	Tighten set screw with T-handle wrench.
	Trimmer line lengths are substantially different.	Adjust trimmer line to approximately equal lengths.
	Loose nuts or bolts.	Check all bolts and nuts, including engine bolts.
	Broken trimmer head.	Replace broken part.
Trimmer head does not retain line	Trimmer line not properly attached.	Follow instructions on decal or in the Service section of the owner's manual.
	Broken line retainer.	Replace trimmer head assembly.
	Trimmer line not correct size.	Use Craftsman 0.155 inch diameter trimmer line.

SLOPE GUIDE

SIGHT AND HOLD THIS GUIDE LEVEL WITH A VERTICAL TREE, A CORNER OF A STRUCTURE, A POWER LINE POLE, OR A FENCE.



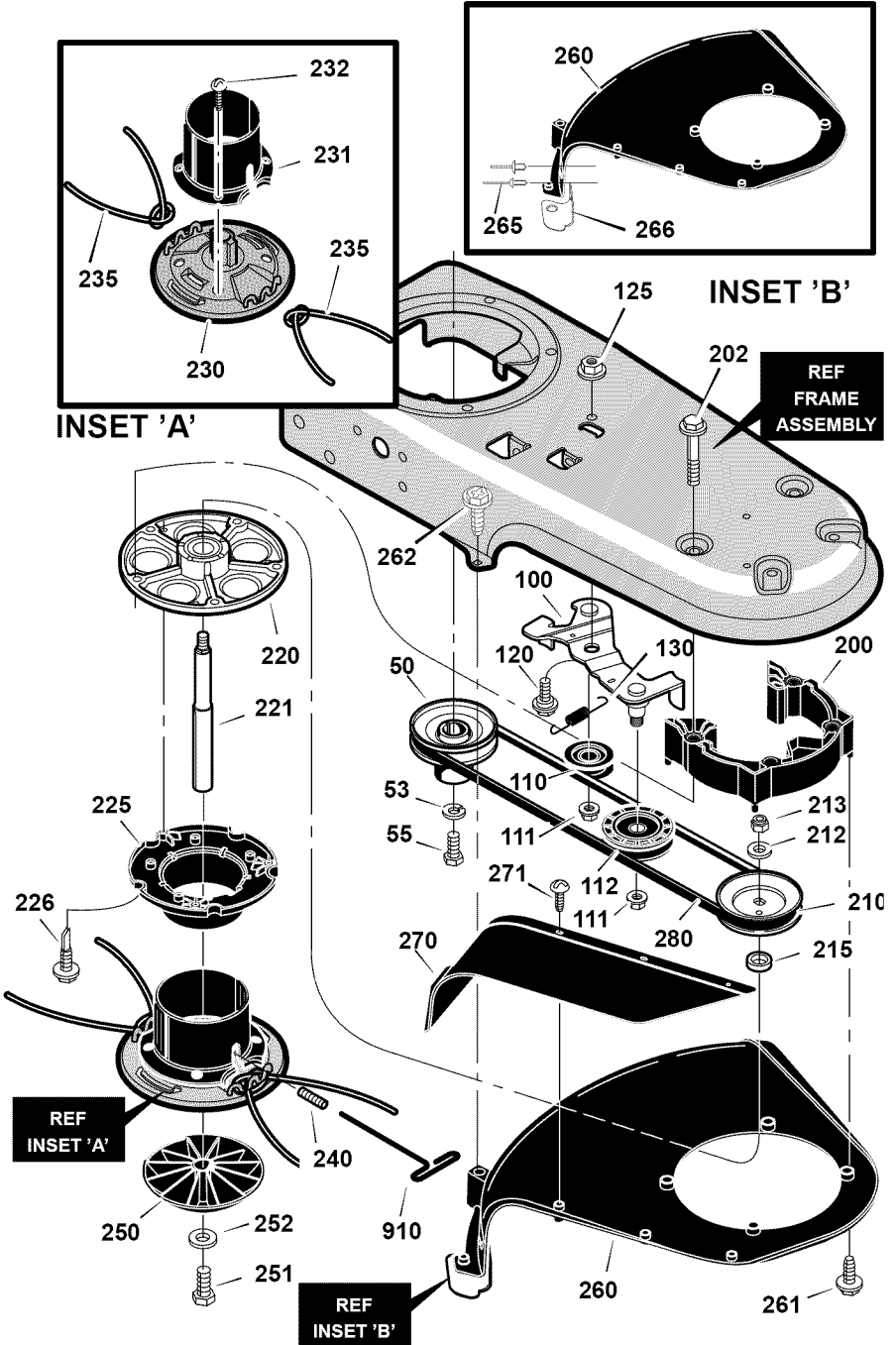
Use this guide and do not trim on a slope greater than 15 degrees.

A 10 degree slope is a hill that increases in height at approximately 1.7 feet in 10 feet..

A 15 degree slope is a hill that increases in height at approximately 2.5 feet in 10 feet..



Use extreme care at all times and avoid sudden turns or maneuvers. Follow other instructions in this manual for safety in trimming on slopes. Operate a trimmer across the face of slopes, never up or down slopes. Use extra care when operating on or near slopes and obstructions.

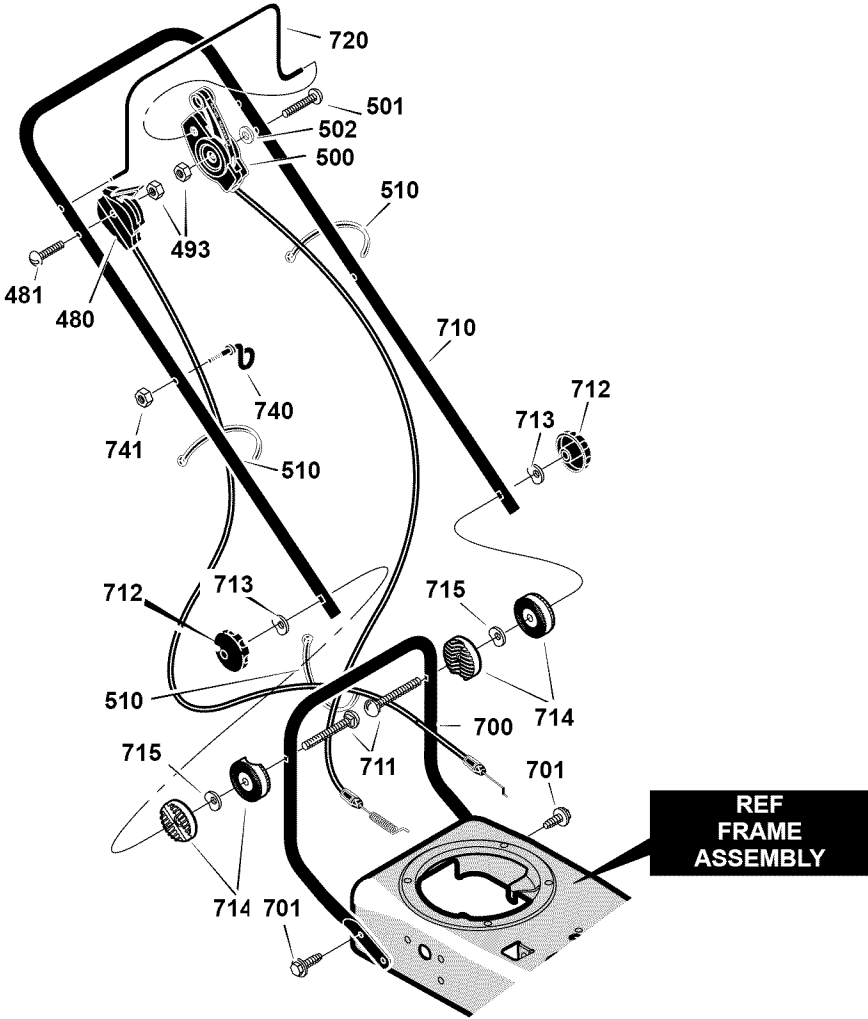


CRAFTSMAN 536.773501

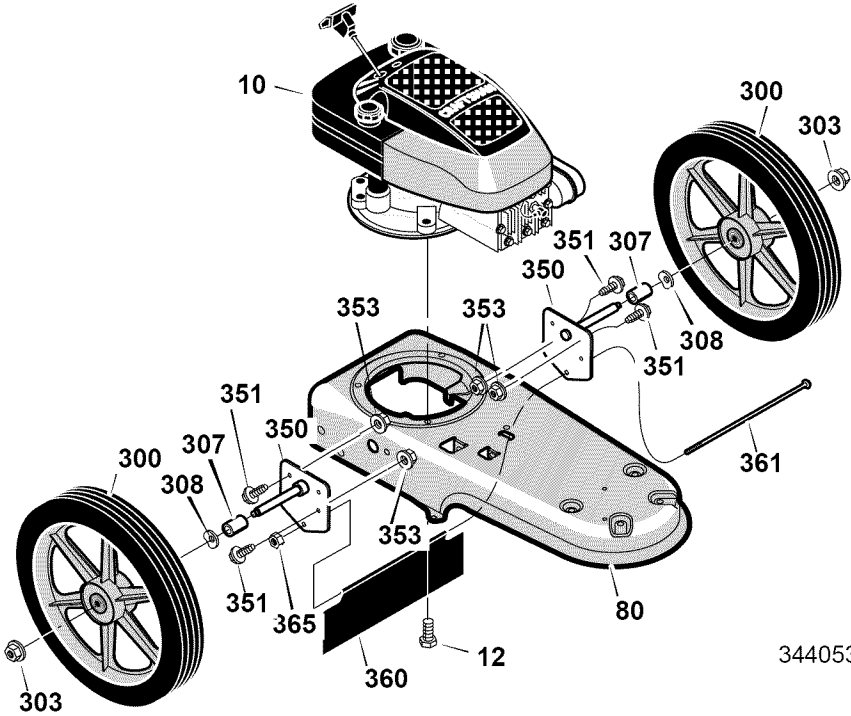
REPAIR PARTS

KEY NO.	PART NO.	DESCRIPTION
50	740179	PULLEY, ENGINE 3L – TRIMMER
53	712147	WASHER, SPLITLOCK
55	712146	SCREW, 3/8–24
100	740232	BRACKET, IDLER ASSY–TRIMMER
110	740183	PULLEY, 3L IDLER
111	710140	NUT, 3/8–16HWDFLLK
112	740244	“V” Pulley
120	710200	BOLT,.497X.138 HSH 3/8–16
125	710140	NUT,3/8–16HWDFLLK
130	712403	SPRING, EXTENSION 1.94LG
200	740155	SPACER ASS'Y,JACKSHAFT
202	711978	SCREW,3/8–16X2.50
210	740171	PULLEY, CUTTING HEAD–TRIMMER
212	710083	WASHER, FLAT .391X1.00X.083
213	712148	NUT, 3/8–24NF NYLOCK
215	740173	SPACER, UPPER PULLEY – TRIMMER
220	92574	ASM., JACKSHAFT HOUSING
221	740169	SHAFT, CUTTING HEAD – TRIMMER
225	740163	WEED WRAP, UPPER NYLON–BLACK
226	712126	SCREW,#10X1.0 HWATEKDRILTITE
230	740175–833	ASSY, SERVICE CUTTER HEAD & WRAP
231	*	WEED WRAP, LOWER–NYLON
232	*	RIVET, POP .187DIA.X.44 LG
235	71999	LINE, TRIMMER.155 X 21.25 –RED (Pack of 24)
240	712127	SCREW,1/4–20X.50 ALNYLSETCP
250	740157	GUIDE, HEIGHT – NYLON
251	180018	SCREW, 1/4–20X .62 HHC
252	710256	WASHER, FLAT .266 X .62
260	740206	SHIELD, TRIMMER–BLK
261	710269	SCREW, 10–16X1.25 SLHHTAP
262	710272	SCREW, #10–16X.75 SLHWATAP
270	740167	FLAP, DEBRIS–TRIMMER
271	712145	SCREW,#10 X.50
280	711933	BELT, 3L – TRIMMER
910	712128	WRENCH, T–HANDLE HEXKEY 1/8"X6" (found in parts bag)

* Can not order individual parts, order assembly only.

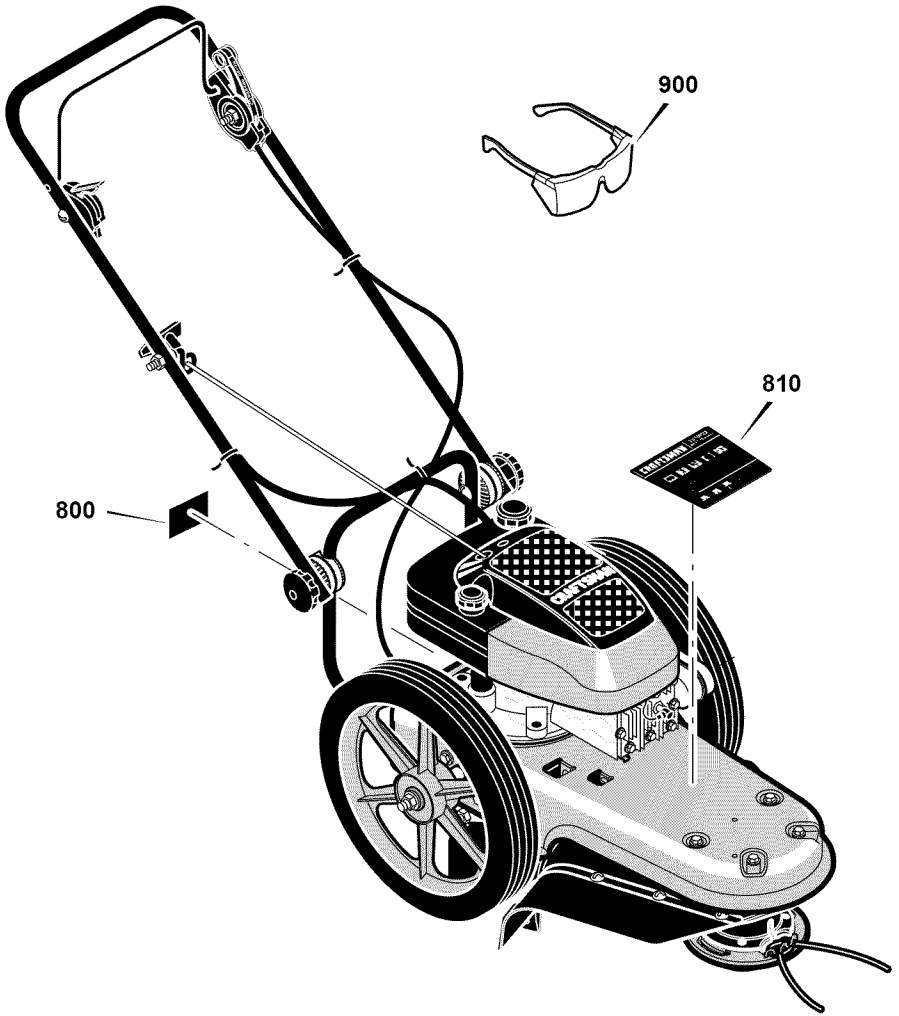


KEY NO.	PART NO.	DESCRIPTION
480	740194	CABLE, THROTTLE W/STOP-TRIMMER
481	323035	SCREW, 1/4-20X2.00 PHPNHMA
493	710203	NUT, 1/4-20 HEXNYL
500	740193	CABLE, CONTROL LATCHING -TRIMMER
501	323035	SCREW, 1/4-20X2.00 PHPNHMA
502	672292	SPACER, PM .26X.5X.2
510	712267	TIE,CABLE BLACK
700	740195-846	HANDLE,LOWER-TRIMMER
701	710079	SCREW, 5/16-18X.75HHWATAPSGIBP
710	740196-846	HANDLE, UPPER-TRIMMER
711	711937	BOLT, 5/16-18X3.00-TRIMMER
712	740202	KNOB, HANDLE W/ 5/16-18
713	783000	WASHER,.343IDX1.0X.062 FORM
714	740158	HANDLE PIVOT— NYLON
715	711936	WASHER, SPRING
720	740198-833	LEVER,CONTROL-TRIMMER
740	672510	GUIDE, ROPE 1/4-20
741	710203	NUT, 1/4-20 HEXNYL



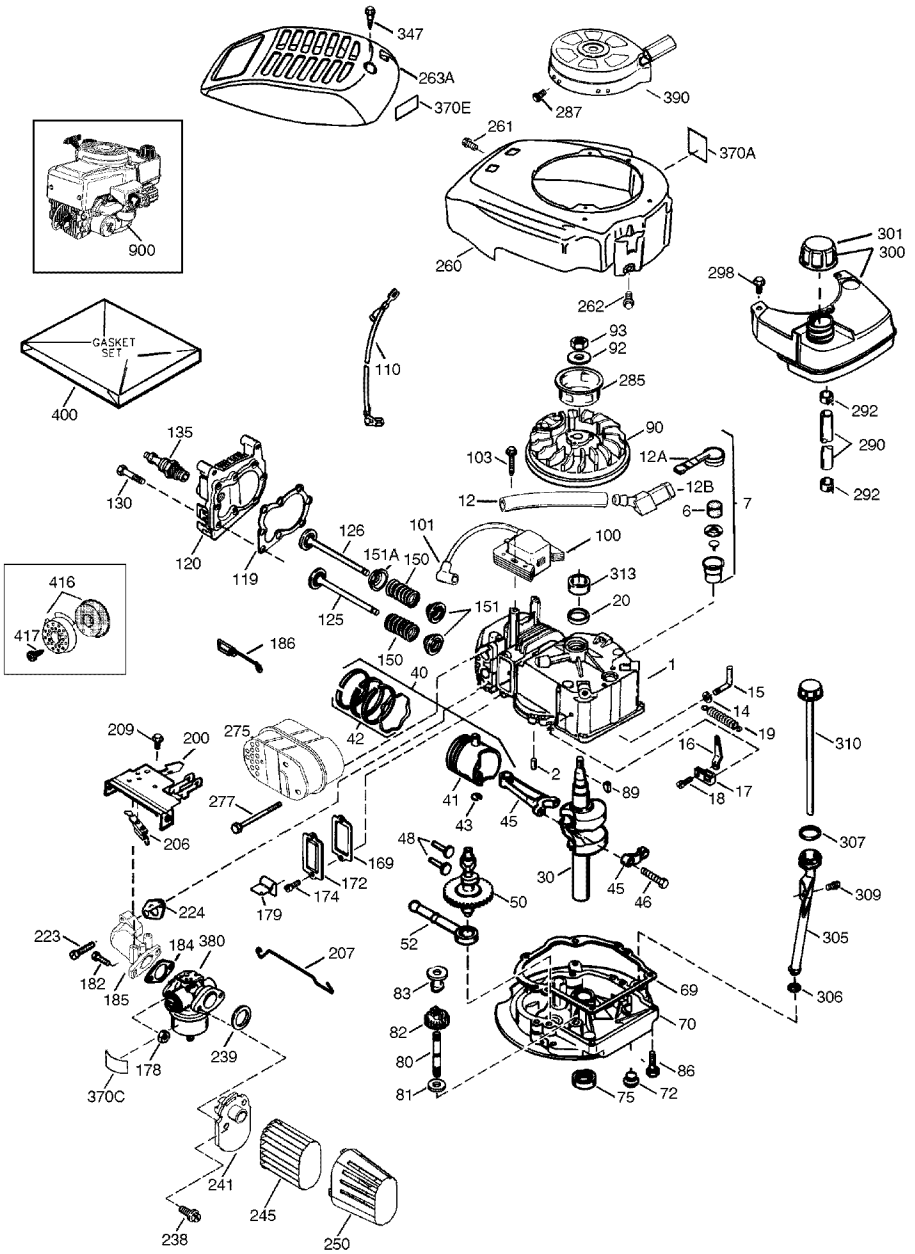
344053D

KEY NO.	PART NO.	DESCRIPTION
10	ENGINE	143.985012, SEE ENGINE PAGES
12	710265	SCREW, 3/8-16X1.00
80	740150-833	FRAME, TRIMMER
300	740185	TIRE&RIM,14X1.75
303	710140	NUT,3/8-16HWDFLLK MACK
307	740190	SPACER, WHEELTRIMMER
308	710258	WASHER
350	740188	AXLE & BRKT ASS'Y-TRIMMER
351	48901	SCREW, 5/16-18X.63
353	710205	NUT, 5/16-18
360	740192	TRAILING SHIELD-13.28"
361	711935	BOLT,1/4-20X11.06 CARR
365	710203	NUT, 1/4-20 HEXNYLON
	712504	OWNER'S MANUAL (NOT SHOWN)



344056B

KEY NO.	PART NO.	DESCRIPTION
800	-	NOT A SERVICEABLE PART
810	711900	DECAL, WARNING CRAFTSMAN TRIMMER
900	711890	GLASSES, SAFETY



CRAFTSMAN 143.985012

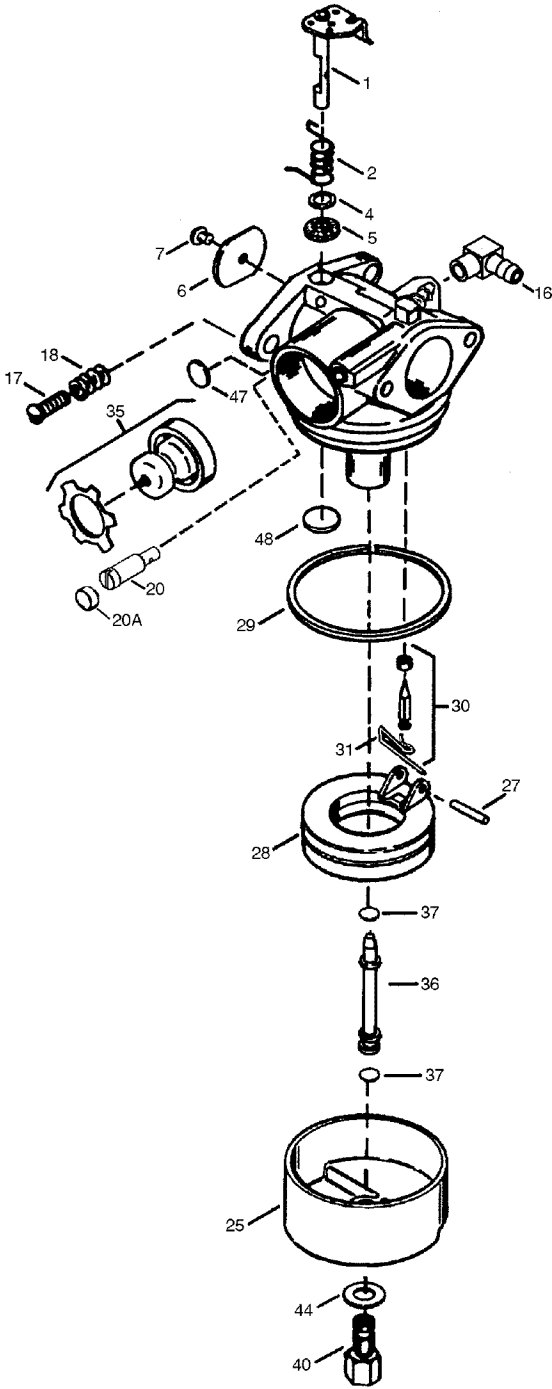
REPAIR PARTS

KEY NO.	PART NO.	DESCRIPTION	KEY NO.	PART NO.	DESCRIPTION
1	36774	Cylinder (Incl. 2 & 20)	70	36995	Mounting Flange (Incl.72 thru 83, 311)
2	26727	Dowel Pin	72	36083	Oil Drain Plug
6	33734	Breather Element	75	27897	Oil Seal
7	36557	Breather Ass'y. (Incl. 6 & 12A)	80	30574A	Governor Shaft
12	36775	Breather Tube	81	30590A	Washer
12A	36558	Breather Cover & Tube (Incl. 12B)	82	30591	Governor Gear Ass'y. (Incl. 81)
12B	36694	Breather Tube Elbow	83	30588A	Governor Spool
14	28277	Washer	86	650488	Screw, 1/4-20 x 1-1/4"
15	30589	Governor Rod (Incl. 14)	89	610961	Flywheel Key
16	34839A	Governor Lever	90	611213	Flywheel
17	31335	Governor Lever Clamp	92	650815	Belleville Washer
18	651018	Screw, Torx T-15, 8-32 x 19/64"	93	650816	Flywheel Nut
19	36796	Extension Spring	100	34443A	Solid State Ignition
20	32600	Oil Seal	101	610118	Spark Plug Cover
30	36797	Crankshaft	103	651007	Screw, Torx T-15, 10-24 x 15/16"
40	40004	Piston, Pin & Ring Set (Std.)	110	36230	Ground Wire
40	40005	Piston, Pin & Ring Set (.010" OS)	119	36787	Cylinder Head Gasket
41	36070	Piston & Pin Ass'y. (Std.) (Incl. 43)	120	36825	Cylinder Head
41	36071	Piston & Pin Ass'y. (.010" OS) (Incl. 43)	125	36779	Exhaust Valve (Std.) (Incl. 151)
42	40006	Ring Set (Std.)	125	36780	Exhaust Valve (1/32" OS) (Incl. 151)
42	40007	Ring Set (.010" OS)	126	36781	Intake Valve (Std.) (Incl. 151)
43	20381	Piston Pin Retaining Ring	126	36782	Intake Valve (1/32" OS) (Incl. 151)
45	36777	Connecting Rod Ass'y. (Incl. 46)	130	6021A	Screw, 5/16-18 x 1-1/2"
46	32610A	Connecting Rod Bolt	135	35395	Resistor Spark Plug (RJ19LM)
48	27241	Valve Lifter	150	35991	Valve Spring
50	36778	Camshaft (MCR)	151	31673	Valve Spring Cap
52	29914	Oil Pump Ass'y.	151A	40017	Intake Valve Seal
69	35261	Mounting Flange Gasket	169	36783	Valve Cover Gasket

CRAFTSMAN 143.985012

REPAIR PARTS

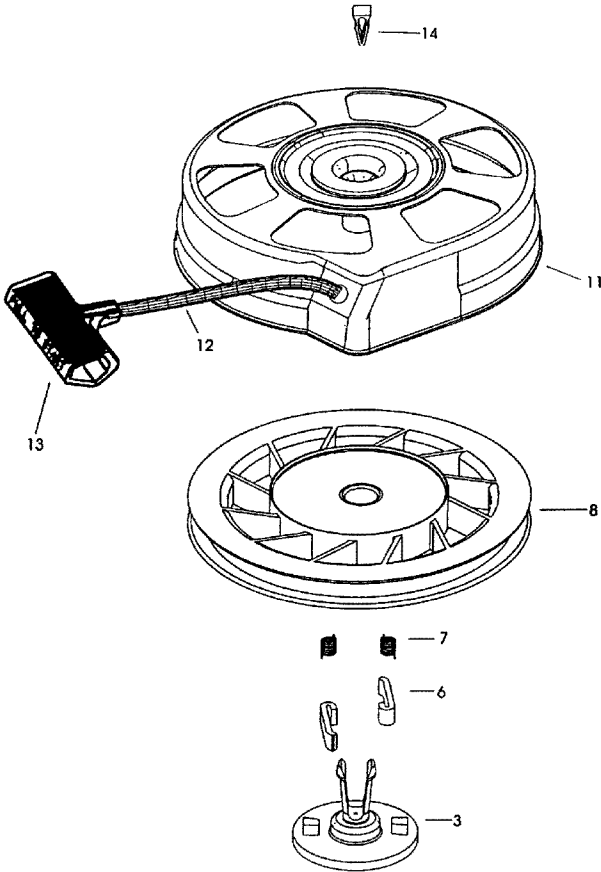
172	36784	Valve Cover	292	26460	Fuel Line Clamp
174	30200	Screw, 10-24 x 9/16"	298	28763	Screw, 10-32 x 35/64"
178	29752	Nut & Lock Washer, 1/4-28	300	36916	Fuel Tank (Incl. 292 & 301)
179	30593	Retainer Clip	301	36246	Fuel Cap
182	6201	Screw, 1/4-28 x 7/8"	305	35647	Oil Fill Tube
184	26756	Carburetor To Intake Pipe Gasket	306	36996	"O"-Ring
185	36785	Intake Pipe	307	35499	"O"-Ring
186	36255	Governor Link	309	650562	Screw, 10-32 x 3/8"
200	35999A	Control Bracket (Incl. 206)	310	35648	Dipstick
206	610973	Terminal	313	34080	Spacer
207	36200	Throttle Link	347	651038	Screw, 10-32 x 27/32"
209	30200	Screw, 10-24 x 9/16"	370A	36261	Lubrication Decal
223	650451	Screw, 1/4-20 x 1"	370C	37199	Primer Decal
224	36786	Intake Pipe Gasket	370E	34387	Air Cleaner Decal
238	650932	Screw, 10-32 x 49/64"	380	640026	Carburetor (Incl. 184)
239	34338	Air Cleaner Gasket	390	590702	Rewind Starter (NOTE: This engine could have been built with 590739 starter).
241	36919	Air Cleaner Collar	400	36792B	Gasket Set (Incl. Items Marked PK in Notes) Incl. Part #'s 26756 (1), 28833 (1), 34338 (1), 36783 (1), 36786 (1), 36787 (1), 36832 (1), 36996 (1), 37130 (1).
245	36905	Air Cleaner Filter	416	36085	Spark Arrestor Kit (Incl. 417) (Optional)
250	36920	Air Cleaner Cover	417	650760	Screw, 8-32 x 3/8" (Op- tional)
260	36980	Blower Housing	900	0	Replacement Engine NONE, order from 71-999
261	30200	Screw, 10-24 x 9/16"	900	0	Replacement S/B 750812A, order from 71-999
262	650831	Screw, 1/4-20 x 1/2"			
263A	37198	Debris Screen			
275	36790	Muffler			
277	650988	Screw, 1/4-20 x 2-9/32"			
285	35000A	Starter Cup			
287	650926	Screw, 8-32 x 21/64"			
290	29774	Fuel Line			



CRAFTSMAN 143.985012

REPAIR PARTS

KEY NO.	PART NO.	DESCRIPTION
1	631615	Throttle Shaft & Lever Assembly
2	631767	Throttle Return Spring
4	631184	Dust Seal Washer
5	631183	Dust Seal (Throttle)
6	631036	Throttle Shutter
7	650506	Shutter Screw
16	631807	Fuel Fitting
17	650417	Throttle Screw/Idle Speed Screw
18	630766	Tension Spring
20	640027	Idle Restrictor Screw
20A	640053	Idle Restrictor Screw Cap
25	631867	Float Bowl
27	631024	Float Shaft
28	632019	Float
29	631028	Float Bowl "O" Ring
30	631021	Inlet Needle, Seat, & Clip (Incl. 31)
31	631022	Spring Clip
35	36045A	Primer Bulb/Retainer Ring
36	632735	Main Nozzle Tube
37	632547	"O" Ring, Main Nozzle Tube
40	640028	High Speed Bowl Nut
44	27110	Bowl Nut Washer
47	630748	Welch Plug, Idle Mixture Well
48	631027	Welch Plug, Atmospheric Vent



KEY NO.	PART NO.	DESCRIPTION
0	590739	Rewind Starter
3	590740	Retainer
6	590616	Starter Dog
7	590617	Dog Spring
8	590618A	Pulley & Rewind Spring Ass'y
11	590638	Starter Housing Ass'y
12	590535	Starter Rope
13	590701	Starter Handle
14	590741	Locking Tab

CONTENIDO

GARANTÍA	34	SERVICIO Y AJUSTES	48
NORMAS DE SEGURIDAD	35	ALMACENAJE	51
SÍMBOLOS INTERNACIONALES	38	TABLA DE LOCALIZACIÓN DE	
ENSAMBLAJE	39	AVERÍAS	52
OPERACIÓN	41	GUIA DE INCLINACION	54
MANTENIMIENTO	45	PEDIDO/SERVICIO DE PIEZAS	56

GARANTÍA

GARANTÍA LIMITADA DE DOS AÑOS PARA LA RECORTADORA DE MALEZA CRAFTMAN

Esta recortadora de maleza Craftman está garantizada por dos años desde la fecha de compra, siempre y cuando, se le haya dado mantenimiento, lubricado y afinado de acuerdo a las instrucciones de operación y mantenimiento que aparecen en el manual del propietario, Craftman reparará, sin costo alguno, cualquier defecto en el material y/o mano de obra de la unidad.

Si esta recortadora de maleza Craftsman se utiliza para propósitos comerciales o de alquiler, esta garantía es válida solamente por 90 días de la fecha de su compra.

Esta garantía no cubre lo siguiente:

- Las partes sustituibles que se desgasten durante el uso normal, tales como bujías, etc.
- Reparaciones necesarias debido al abuso o negligencia por parte del operador de la unidad, incluyendo un cigüeñal torcido y el no darle mantenimiento a la unidad de acuerdo a las instrucciones que aparecen en el manual del propietario.

EL SERVICIO BAJO GARANTÍA ESTÁ DISPONIBLE SI LLEVA LA RECORTADORA DE MALEZA CRAFTSMAN AL CENTRO/DEPARTAMENTO DE SERVICIO MÁS CERCA, EN LOS ESTADOS UNIDOS. ESTA GARANTÍA ES APLICABLE SOLAMENTE MIENTRAS EL PRODUCTO SE USE EN LOS ESTADOS UNIDOS.

Esta garantía le brinda derechos legales específicos, además, usted puede tener otros derechos legales que varían según el estado donde resida.

Sears, Roebuck and Co., D817WA, Hoffman Estates. IL 60179



WARNING:



Las emisiones del motor de este producto contienen químicos que el Estado de California reconoce como carcinógenos, los que también pueden causar defectos en los recién nacidos y otros problemas reproductivos.

IMPORTANTE: Esta unidad está equipada con un motor de combustión interna y no debe ser usada en o cerca de ningún terreno basto cubierto de foresta, de maleza o de hierba a menos que el sistema de escape del motor esté equipado con un parachispas que cumpla con las leyes locales o estatales aplicables (si existen). Si se usa el parachispas, el operador debe mantenerlo en buenas condiciones.

En el estado de California lo indicado anteriormente es requerido por ley (Sección 4442 del Código de recursos públicos de California). Otros estados pueden tener leyes similares. Las leyes federales aplican sobre los terrenos federales. Para conseguir un parachispas para el silenciador, acuda a un Centro de servicio autorizado.

Prácticas de seguridad para la operación de la recortadora.



ADVERTENCIA: Busque este símbolo que le indicará puntos importantes de precaución para su seguridad. Este símbolo quiere decir: “¡Atención! ¡Esté alerta! Su seguridad está en peligro.”

I. Operación en general

1. Antes de empezar, debe familiarizarse completamente con los controles y el uso correcto de la cortadora. Para esto, debe leer y comprender todas las instrucciones que aparecen en la unidad y en los manuales de operación.
2. Familiarícese con todas las calcomanías de seguridad y operación colocadas en este equipo y en cualquiera de sus aditamentos o accesorios.
3. No ponga las manos o los pies cerca o debajo de partes giratorias.
4. Sólo permita que operen la recortadora personas responsables, y que estén familiarizadas con las instrucciones.
5. Inspeccione el área en donde va a ser usada la recortadora. Esta unidad puede lanzar objetos pequeños a alta velocidad, causando lesiones personales, o daño a propiedades. Manténgase alejado de objetos rompibles, tales como ventanas de la casa, vidrios de los autos, invernaderos, etc.
6. Mantenga el área de operación despejada de personas, especialmente de niños pequeños y mascotas.
7. Use ropa apropiada, tal como camisa de manga larga o chaqueta y pantalones largos. No use pantalones cortos/shorts.
8. No use ropa suelta, ya que ésta podría atorarse en el equipo.
9. Siempre use gafas de seguridad o anteojos con protección lateral al operar la recortadora, esto protegerá sus ojos de cuerpos extraños que pudieran ser lanzados por la unidad.
10. Use siempre guantes de trabajo y calzado fuerte. Los zapatos de trabajo de piel o botas cortas son apropiados para la mayoría de las personas. Estos no sólo protegerán los tobillos y espinillas del operador de pequeñas ramas, astillas y otros desperdicios, sino que además mejorarán la tracción.
11. Es recomendable usar un casco protector para prevenir cualquier posibilidad de ser golpeado por pequeñas partículas que sean lanzadas, o que se golpee con ramas que cuelguen bajo, ramitas, u otros objetos que puede no ser advertidos por el operador.
12. No opere la recortadora sin colocar en su lugar los respectivos resguardos u otros aditamentos diseñados para su protección y seguridad
13. Este equipo deberá ser usado únicamente para el propósito para el cual fue diseñado.
14. Refiérase a las instrucciones del fabricante para la operación e instalación de accesorios. Use únicamente accesorios aprobados por el fabricante
15. Opere el equipo a la luz del día o con buena iluminación artificial.
16. No opere la recortadora mientras esté bajo la influencia de alcohol, drogas o cualquier medicamento que le provoque somnolencia o que afecte su habilidad de operar esta unidad con seguridad.
17. Nunca opere la recortadora cuando la hierba esté mojada. Asegúrese siempre de tener buena tracción en sus pies; mantenga el mango firmemente y camine; nunca corra.
18. Antes de cada uso, inspeccione la palanca del acelerador y el cable. Asegúrese de que el cable esté suelto y de que la palanca no esté dañada. También, revise el cable conector que pasa al carburador para asegurarse de que no esté doblado, suelto u obstruido. Verifique que la barra de control esté funcionando adecuadamente.
19. Detenga la cabeza giratoria de la recortadora cuando cruce por calzadas, calles o caminos de grava. Espere a que las cuerdas de corte dejen de girar.
20. Preste atención al tráfico cuando maneje la recortadora cerca de la calle, o al cruzar la misma.
21. Pare el motor siempre que tenga que dejar el equipo. Antes de limpiar, reparar o inspeccionar la unidad, asegúrese de que la cabeza de la recortadora y todas las partes en movimiento se hayan detenido. Deje enfriar le motor y desconecte el cable de la bujía.
22. Si el equipo empezara a vibrar de una manera anormal, pare el motor, desconecte el cable de la bujía e impida que éste haga contacto con la bujía. Revise de inmediato

para encontrar la causa. Generalmente la vibración suele indicar que existe alguna avería.

23. Si golpea un objeto extraño con la unidad, pare el motor. Quite el cable de la bujía. Inspeccione la recortadora para ver si ésta sufrió algún daño. Si está averiada, deberá repararla antes de hacerla funcionar nuevamente.
24. Nunca descuide la recortadora cuando el motor está en marcha. Quite el cable de la bujía.
25. Inspeccione la recortadora regularmente. Asegúrese de que las partes no estén dobladas, dañadas o sueltas.

II. Operación en cuestas

Los accidentes ocurren con más frecuencia en las cuestas. Estos accidentes ocurren debido a resbaladas o caídas, las cuales pueden resultar en graves lesiones. Operar la recortadora en cuestas requiere mayor concentración. Si se siente inseguro en una cuesta, no la recorte.

Puede recortar a través de la superficie de la cuesta, nunca hacia arriba y hacia abajo. No recorte en cuestas muy inclinadas (15 grados máximo) o en áreas donde el suelo sea muy disparejo. Vea la "guía de inclinación" en la parte posterior de este manual, para determinar la inclinación de la cuesta. Proceda con extrema precaución cuando cambie de dirección en las cuestas.

REMUEVA todos los objetos extraños, tales como guijarros, ramas, etc.

Debe prestar atención a hoyos, baches o protuberancias. Recuerde que la hierba alta puede esconder obstáculos.

No recorte cerca de pendientes, zanjas o terraplenes. El operador puede perder la tracción en los pies o el equilibrio.

No recorte cuestas demasiado inclinadas.

No recorte en hierba mojada. La reducción en la tracción de la pisada puede causar resbalones.

III. Niños

El operador de la recortadora debe estar muy alerta a la presencia de niños, ya que normalmente se sienten atraídos por la recortadora y la acción de recortar. Si no se toman las debidas precauciones en la presencia de niños, pueden ocurrir trágicos accidentes. **Nunca** dé

por hecho que los niños se van a quedar en el mismo lugar en donde los vio la última vez.

1. Mantenga a los niños fuera del área de recorte y bajo la estricta vigilancia de un adulto responsable.
2. Esté alerta de la entrada de niños al área, y si así fuera, apague la recortadora
3. Antes y mientras retrocede con la recortadora, mire hacia atrás y hacia abajo por si hay niños pequeños.
4. Nunca permita que niños operen la recortadora.
5. Use extrema precaución cuando se acerque a esquinas ciegas, arbustos, árboles, u otros objetos que pueden obstruir su visión.

IV. Servicio

1. Use extremo cuidado al manejar gasolina y otros combustibles. Ya que estos son inflamables y sus vapores son explosivos.
 - a. Use únicamente recipientes aprobados .
 - b. Nunca quite la tapa de la gasolina o añada combustible con el motor en marcha. Antes de reabastecer o llenar el motor de combustible, déjelo enfriar, y no fume mientras lo hace.
 - c. Nunca se debe reabastecer la máquina en un lugar cerrado.
 - d. Nunca guarde la máquina o el recipiente del combustible en un recinto donde haya alguna llama expuesta, tal como el piloto de un calentador de agua.
2. Nunca ponga en marcha un motor dentro de un recinto o de un área cerrada.
3. Nunca haga ajustes o reparaciones mientras el motor esté en marcha. Desconecte el cable de la bujía, y manténgalo a cierta distancia de ésta para prevenir un arranque accidental (quite la llave de encendido si su recortadora está equipada con un arranque eléctrico). Use siempre gafas de protección cuando haga ajustes o reparaciones a la unidad.
4. Revise la cabeza de la recortadora y los pernos de montaje del motor a intervalos frecuentes para asegurar que estén bien apretados.
5. Mantenga apretadas todas las tuercas y pernos y mantenga el equipo en buenas condiciones. Revise todo el herraje de la cabeza de la recortadora cada vez que

cambie la cuerda de ésta y antes de cada uso.

6. Nunca manipule indebidamente los dispositivos de seguridad. Verifique regularmente que estos estén funcionando bien.
7. Cuando esté revisando o haciendo reparaciones a la recortadora, no la voltee ni la incline, a menos que así lo especifique este manual. La reparación y servicio se pueden hacer con la recortadora en una posición vertical. Algunos procedimientos se facilitan si la máquina se levanta en una plataforma elevada o en una superficie de trabajo.
8. Para reducir el peligro de incendio, mantenga la recortadora libre de hierba, hojas, y cualquier otro desperdicio acumulado. Limpie inmediatamente, cualquier derrame de aceite o combustible. Antes de guardar la recortadora deje enfriar el motor.
9. Si golpea un objeto, pare y revise la máquina. Realice cualquier reparación necesaria, antes de hacerla arrancar nuevamente.
10. Siempre desconecte el cable de la bujía antes de limpiar, reparar o hacer ajustes.
11. No cambie el ajuste del regulador del motor ni exceda su velocidad.
12. Limpie y reemplace las calcomanías de seguridad e instrucciones según sea necesario.
13. Para proteger el motor de un sobre calentamiento, siempre tenga montado y limpio el filtro de desechos.
14. Inspeccione la recortadora antes de guardarla.

SÍMBOLOS INTERNACIONALES

IMPORTANTE: La mayoría de los símbolos a continuación están colocados en su unidad o aparecen en los folletos de instrucciones que vienen con el producto. Aprenda y entienda el significado de cada símbolo antes de empezar a operar la unidad.

Símbolos de control y operación



Espacio



Rápido



Combustible



Aceite

Símbolos de advertencia para su seguridad



ADVERTENCIA

Objetos pueden ser lanzados. Mantenga a los observadores fuera del área.



ADVERTENCIA

Partes giratorias. Pare el motor. Desconecte el cable de la bujía antes de hacer cualquier ajuste.



ADVERTENCIA



IMPORTANTE

Antes de operar esta máquina, lea el manual del propietario.



ADVERTENCIA

Use protección para los ojos



ALTO



ADVERTENCIA

Nunca opere su unidad hacia arriba o hacia abajo en las cuestas. Opere a lo largo de las cuestas.

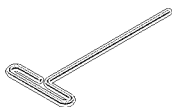
ENSAMBLAJE

CONTENIDO DE LA BOLSA DE PARTES

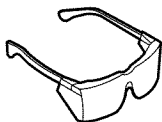
1 – Manual del usuario

1 – Bolsa de partes

(No se muestran en su tamaño real)



1 – Llave en T



1 – Gafas de seguridad



1 – Botella de aceite de 20 onzas.



2 Juegos de cuerda de recortadora (0.155 de diámetro)



ADVERTENCIA: Siempre use gafas de seguridad o anteojos con protección durante el ensamblaje de la recortadora.

HERRAMIENTAS NECESARIAS

1 – Cuchillo para cortar la caja.

1 – Llave de tuercas en T.

La Figura 19 muestra la recortadora de maleza completamente ensamblada y su posición en la caja para envío.

Las referencias que se hacen con respecto al lado derecho o izquierdo de la recortadora son consideradas desde la posición del operador detrás de la unidad.

INSTRUCCIONES PARA SACAR LA RECORTADORA DE SU CAJA

1. Retire la botella de aceite y la bolsa de partes de la caja.
2. Retire el material de empaque colocado alrededor de la unidad.
3. Corte las cuatro esquinas de la caja y ponga los paneles laterales extendidos sobre el suelo.
4. Jale la recortadora fuera de la caja y las almohadillas de base..
5. Retire el material de empaque de la cabeza de la recortadora.
6. Retire el plástico protector de la parte de enfrente del armazón.

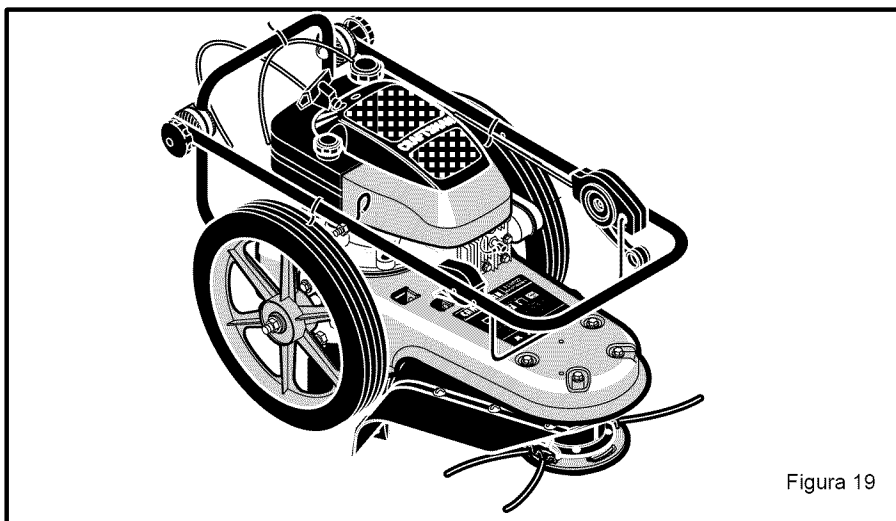


Figura 19

COMO ELEVAR EL MANGO

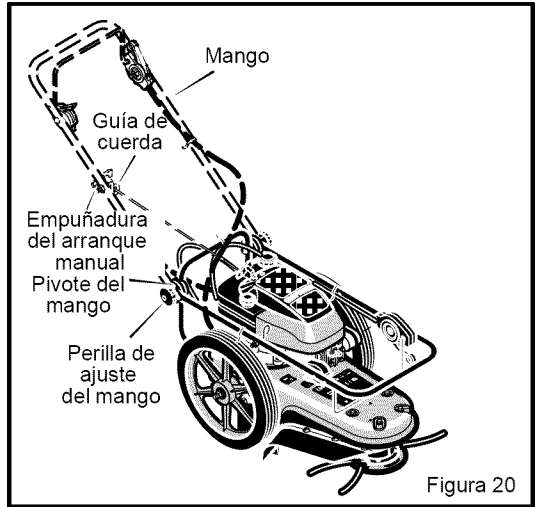
1. Sujete el **mango** con una mano y afloje ambas **perillas de ajuste del mango** hasta que los dientes de trinquete se desenganchen. No quite las **perillas de ajuste del mango**. Vea la Figura 20.
2. Levante el **mango** a la posición de operación.
3. Póngase en la posición del operador detrás de la recortadora. Coloque el **mango** en una posición cómoda. Asegúrese de que ambos lados del **mango** estén nivelados.

NOTA: Asegúrese de que los cables no se atoren entre la parte superior y la parte inferior del mango.

4. Apriete las **perillas de ajuste del mango**. Asegúrese de que los **pivotes del mango** estén fijos en su lugar.

NOTA: La altura del mango es ajustable. Consulte "Como ajustar la altura del mango" en la sección de ajuste.

5. Para montar la **empuñadura del arranque manual** a la **guía de cuerda**, enrolle la cuerda a través de la **guía de cuerda** que se encuentra en el lado derecho del mango.



PREPARACIÓN DEL MOTOR

Llene el cárter con aceite

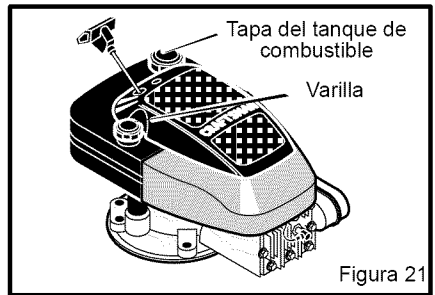
La recortadora fue empacada con una botella de aceite para motor SAE30. Este aceite debe ser añadido al motor antes de hacerlo arrancar.

1. Quite la varilla del aceite que se muestra en la Figura 21. Llene el cárter hasta la línea **FULL** en la varilla. **NO LO SOBRELLENE.**
2. Coloque la varilla del aceite en su lugar y asegúrese de apretarla bien.

Llene el tanque con gasolina

Para el procedimiento correcto y grado de ga-

solina, consulte "Reabastecimiento de gasolina" en la sección Operación.



✓ LISTA DE COMPROBACIÓN

Para un rendimiento óptimo y su satisfacción con la calidad de este producto, antes de operar su recortadora, por favor repase la siguiente lista de comprobación:

- ✓ Se han completado todas las instrucciones para el ensamblaje.
- ✓ No hay ninguna parte sobrante suelta en la caja.

dora, ponga mucha atención a los puntos importantes a continuación:

- ✓✓ El aceite del motor está al nivel correcto.
- ✓✓ El tanque de combustible se ha llenado con gasolina nueva, limpia, regular sin plomo.
- ✓✓ Familiarícese y entienda la función de todos los controles. Antes de hacer arrancar el motor, pruebe todos los controles.

Conforme vaya aprendiendo a usar la recortadora 712504

OPERACIÓN

CONOZCA SU RECORTADORA

LEA EL MANUAL DEL USUARIO Y TODAS LAS REGLAS DE SEGURIDAD ANTES DE OPERAR la recortadora. Es importante que se familiarice con la ubicación de los controles, y compare las ilustraciones con su recortadora. **Guarde este manual como referencia para el futuro.**

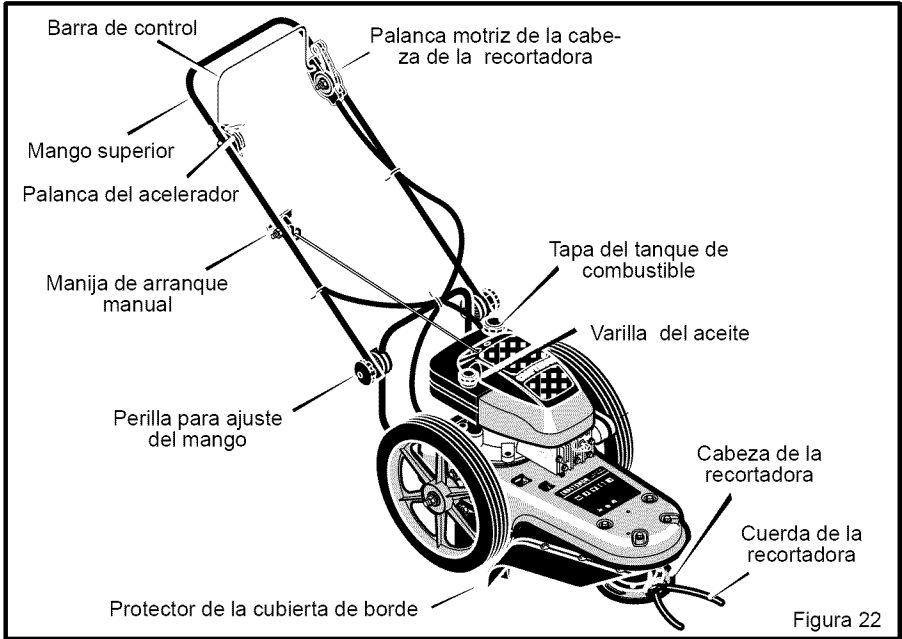


Figura 22

Palanca motriz de la cabeza de la recortadora – Hace funcionar la rotación de la cabeza de la recortadora.

Barra de control – Al soltarla se para la rotación de la cabeza de la recortadora.

Palanca del acelerador – Controla la velocidad o detiene el motor.

Botón de cebador – Inyecta el combustible

directamente en el colector del carburador para arranques más rápidos. Vea la Figura 25.

Manija de arranque manual – El motor está equipado con un arranque manual fácil de jalar.

Protector de la cubierta de borde – Protege la cubierta al cortar automáticamente la cuerda a la longitud correcta

PROTECCIÓN DE LOS OJOS



ADVERTENCIA: Los desperdicios arrojados por la recortadora pueden resultar en objetos extraños dirigidos a los ojos, lo cual puede causar una grave lesión. Siempre use gafas de seguridad o anteojos protectores cuando opere la recortadora.

Siempre use gafas de seguridad. Si usted usa lentes, use una máscara de seguridad de visión amplia sobre sus anteojos.

712504

COMO DETENER LA CABEZA DE LA RECORTADORA

1. Suelte la **barra de control**. Ésta volverá a su posición abierta y desenganchará la cabeza de la recortadora.

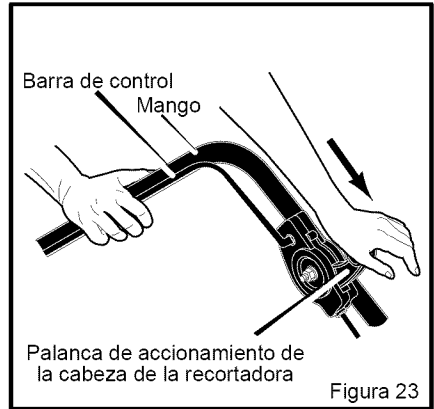
CÓMO PARAR EL MOTOR

2. Mueva la **palanca del acelerador** completamente hacia atrás a la posición STOP.

OPERACIÓN

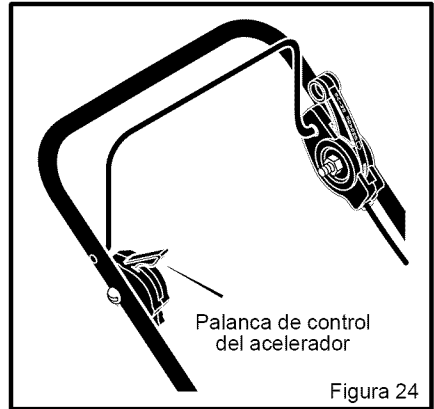
PALANCA DE ACCIONAMIENTO DE LA CABEZA DE LA RECORTADORA

1. Para hacer funcionar la cabeza de la recortadora, sujete la **barra de control** contra el mango. Mueva la **palanca de accionamiento de la cabeza de la recortadora** hacia adelante para hacer funcionar la cabeza de la recortadora. Vea la Figura 23. Mientras más rápido funcione el motor, la cabeza de la recortadora girará más rápido.
2. Una vez que la cabeza de la recortadora esté girando, empuje la máquina hacia adelante para empezar a recortar.



CÓMO USAR EL CONTROL DEL ACELERADOR

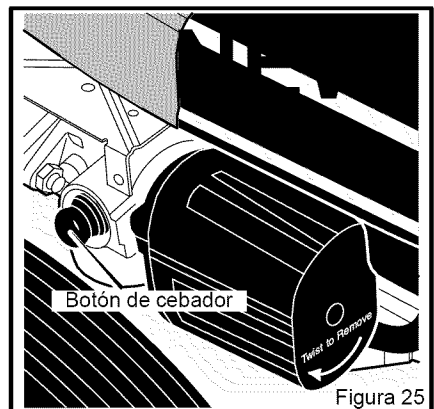
1. Durante uso normal, se debe fijar la **palanca de control del acelerador** en la posición FAST para que la máquina trabaje a toda velocidad.
2. Jale la **palanca de control del acelerador** hacia atrás para disminuir la velocidad del motor. Empuje la **palanca de control del acelerador** hacia adelante para aumentar la velocidad del motor.
3. Para parar el motor, jale la **palanca de control del acelerador** completamente hacia atrás a la posición STOP.



CÓMO USAR EL BOTÓN DE CEBADOR

1. Presione el **botón de cebador** cinco veces. Vea la Figura 25 para su localización. Siempre espere un intervalo de aproximadamente dos segundos entre cada presión del botón de cebador.

NOTA: No use el botón de cebador para recargar un motor caliente que sólo ha sido apagado por corto tiempo.

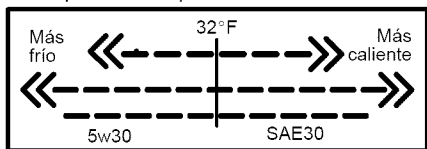


OPERACIÓN

ANTES DE ARRANCAR EL MOTOR

Recomendación para el tipo de aceite

Use únicamente aceite detergente de alta calidad especificado con la clasificación SG de servicio API. Elija el grado de viscosidad SAE del aceite de acuerdo a la temperatura a la que va a operar la máquina:

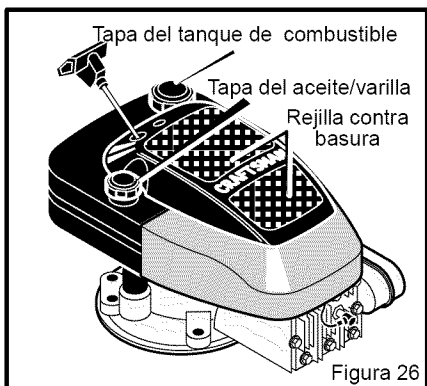


NOTA: Aunque los aceites de viscosidad múltiple (5W30, 10W30, etc.) mejoran el arranque en temperaturas frías, su uso en temperaturas superiores a 32°F aumenta el consumo de aceite. Para evitar la posibilidad de dañar el motor por falta de aceite, revise el nivel frecuentemente.

Revise el aceite en el motor

Antes de cada uso, revise el aceite del motor de la manera siguiente:

1. Coloque la recortadora en una superficie plana.
2. Saque la varilla del aceite que se muestra en la Figura 26.
3. Asegúrese de que el aceite alcance la línea FULL marcada en la varilla.
4. Si es necesario, añada más aceite hasta alcanzar la marca FULL en la varilla. **NO SOBREPASE LA MARCA.** Refiérase a "Recomendación par el tipo de aceite" para el grado y tipo del aceite que debe usar.



Reabastecimiento de gasolina

AVISO: MOTORES QUE ESTAN CERTIFICADOS PARA CUMPLIR CON LAS ESTIPULACIONES DE LAS NORMAS DE EMISION EN EL ESTADO DE CALIFORNIA Y DE LAS NORMAS FEDERALES DE EPA DE EUA PARA MOTORES ULGE: Están certificados para funcionar con gasolina regular sin plomo. Esto incluye los siguientes sistemas de control de emisión: EM, Sistema de reactor (convertidor) Catalítico Tridireccional (para los motores que estén equipados con este sistema). Todas las características ajustables por el usuario ya cumplen con las normas, por lo tanto no es necesario ningún otro requisito.

ADVERTENCIA: Nunca reabastezca el tanque de gasolina mientras el motor esté en marcha o caliente. Deje enfriar el motor antes de poner la gasolina. Limpie inmediatamente cualquier derrame de gasolina antes de hacer arrancar el motor.



ADVERTENCIA: La gasolina es inflamable. Use precaución cuando maneje o almacene gasolina. Manténgala alejada del fuego o chispas eléctricas. No fume mientras esté abasteciendo el tanque de la gasolina. Guarde la gasolina en un recipiente aprobado y limpio, y en un lugar fresco y bien ventilado; nunca lo almacene dentro de la casa.



Llenar el tanque únicamente con gasolina nueva, limpia, regular sin plomo, super sin plomo, o gasolina automotor reformulada. NO usa gasolina con plomo. Asegúrese de que el recipiente de la gasolina esté limpio y libre de polvo u otras partículas ajenas. Nunca use gasolina que ha estado almacenada por mucho tiempo. Vuelva a colocar la tapa del tanque de gasolina.

PRECAUCIÓN: Las mezclas de combustible con alcohol (llamadas gasohol o el uso de metanol) pueden atraer humedad, lo cual provoca la separación y formación de ácidos durante el almacenamiento. El gas ácido puede dañar el sistema de combustible de un motor durante su almacenamiento. Para evitar problemas en el motor, vacíe el sistema de combustible de la unidad antes de almacenarla por un periodo de 30 días o más. Drene el tanque de combustible. Arranque el motor y déjelo en marcha hasta que las líneas de la gasolina y el carburador estén vacías. Nunca use productos para limpiar el motor o el carburador en el tanque de gasolina, ya que esto podría dañarlo en forma permanente. Para mayor información consulte la sección "Instrucciones para almacenamiento".

OPERACIÓN

ARRANQUE DEL MOTOR

NOTA: NO SE ALARME si su motor echa humo cuando lo arranque por primera vez. Su motor está quemando la capa protectora que tienen las partes interiores de éste.



ADVERTENCIA: Nunca deje la recortadora desatendida mientras el motor esté en marcha. Espere a que las cuerdas de la recortadora dejen de girar.

1. Antes de cada uso, quite los residuos de la **rejilla contra basura** la cual se muestra en la Figura 26. Los residuos pueden causar un sobrecalentamiento del motor. Limpie la rejilla con una toalla de tela o de papel.
2. Mueva la palanca del acelerador hacia adelante a la posición **START** o **FAST**.
3. Para arrancar un motor frío, presione el botón cebador cinco veces, con un intervalo de dos segundos entre cada presión del botón cebador.

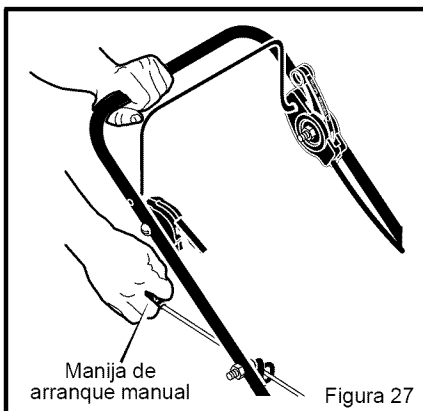
NOTA: No use el cebador en un motor caliente.

4. Sujete firmemente con su mano derecha la **manija de arranque manual**. Refiérase a la Figura 27.
5. Jale rápidamente hacia atrás la **manija de arranque manual**. **NO** permita que el cordel se regrese bruscamente. Deje que el cordel se rebobine lentamente mientras usted detiene la manija de arranque manual.

NOTA: Si el motor no arranca después de jalar el arranque manual por tres veces, presione el botón cebador dos veces y jale nuevamente la manija de arranque manual.



ADVERTENCIA: Nunca haga funcionar el motor dentro de recintos cerrados o en áreas sin ventilación adecuada. Los gases del escape del motor contienen monóxido de carbono, y un gas inoloro mortal. Mantenga las manos, pies, cabello y ropa suelta fuera del alcance de la recortadora y cualquiera de las partes móviles en el motor. No toque el silenciador y las áreas a su alrededor. Las temperaturas pueden exceder los 150°F.



CONSEJOS PARA OPERACIÓN DE LA RECORTADORA



ADVERTENCIA: Los residuos tales como ramas, grava o rocas, pueden ser lanzados con suficiente fuerza como para causar lesiones a personas o daños a propiedades.

- Coloque el control del acelerador en la posición **FAST**, si la maleza o hierba es gruesa y alta, opere la recortadora a una velocidad más lenta.
- Limpie frecuentemente la superficie inferior de la recortadora para quitar la hierba acumulada. Para más detalles refiérase a la sección de Mantenimiento.
- Para mejores resultados y mayor duración de la cuerda, use las orillas de la cuerda para hacer el corte. Esto se logra fácilmente si hace movimientos lentos a

través de hierba o maleza muy gruesa o pesada.

- Si la cuerda de la cortadora está muy corta, le tomará más tiempo completar su trabajo. Si la cuerda está gastada a menos de la mitad de su tamaño original, cámbiela por una nueva, vea "Cómo cambiar las cuerdas de su recortadora" en la sección de servicio y ajustes.
- No recorte en cuestas excesivamente inclinadas. Si tiene dificultad al pararse en una cuesta, no la recorte. No recorte en cuestas cuando el suelo esté resbaloso o mojado. Recorte la superficie de una cuesta en forma atravesada, no hacia arriba y hacia abajo.
- Si la cabeza de la recortadora hace contacto con superficies duras, de concreto o asfalto, la guía de altura se desgastará prematuramente (refiérase Figura 34).

MANTENIMIENTO

RESPONSABILIDADES DEL CLIENTE

REGISTRO DE SERVICIO Anote las fechas conforme vaya realizando los servicios regulares.	Antes de cada uso	Cada 5 Horas	Cada 25 Horas	Cada 100 Horas	Según sea especificado	FECHAS DE SERVICIO
Verificar el nivel de aceite del motor	√					
Verificar las cuerdas de la recortadora de maleza	√				1	
Verificar el funcionamiento de la cabeza de la recortadora	√					
Limpieza de Motor/Unidad	√				2	
Verificar pernos y tuercas	√					
Verificar bujías			√			
Cambiar aceite del motor			√			
Cambio de filtro de aire			√		3	
Lubricación del conjunto del eje secundario			√			
Lubricación de los cojinetes de rueda			√			

Nota 1 – Cuando la cuerda usada tiene la mitad de la longitud original, reemplácela con una nueva.

Nota 2 – Limpie la unidad diariamente si la usa en lugares sucios o extremadamente polvosos.

Nota 3– Cambie el filtro más a menudo si usa la unidad en lugares sucios o extremadamente polvosos.

ESPECIFICACIONES DEL PRODUCTO

Diámetro de la cuerda	0,155 pulg.
Longitud de la cuerda	21,5 pulgs.
Caballos de fuerza	5
Desplazamiento cúb.	11,5 pulgs.
Capacidad de gasolina	1,5 cuartos
Capacidad de aceite	20 onzas
Bujía	Champion RJ-19LM
Separación de bujía	0,030 pulg.

RECOMENDACIONES GENERALES

La garantía de esta recortadora de maleza no cubre las partes que han sido sujetas a la negligencia o abuso del operador. Para obtener todos los beneficios que esta garantía le ofrece, el usuario deberá mantener esta recortadora de maleza tal y como lo indica este manual.

Para mantener su recortadora de maleza en óptimas condiciones, deberá realizar ciertos ajustes periódicamente.

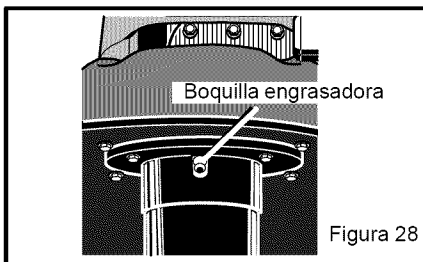
Recuerde que todas las recomendaciones de la sección servicio y ajustes de este manual deben realizarse por lo menos una vez cada temporada.

MANTENIMIENTO

LUBRICACIÓN

Cómo lubricar el conjunto de ejes secundarios

Viene incluida una **boquilla engrasadora** para la lubricación del conjunto de ejes secundarios. Use una pistola engrasadora con el tipo de grasa para automóviles para lubricar el conjunto de ejes secundarios como se muestra en la Figura 28.



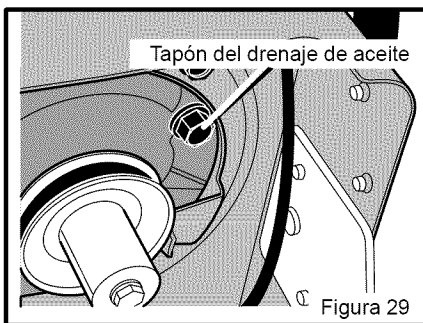
Cómo cambiar el aceite del motor

Cambie el aceite del motor mientras éste está caliente. Para saber la cantidad de aceite que debe utilizar, consulte las "Especificaciones del producto."

1. Desconecte el cable de las bujías.
2. Retire el **tapón del drenaje de aceite** como se muestra en la Figura 29.
3. Vacíe todo el aceite del motor en un recipiente plano.
4. Coloque el **tapón del drenaje de aceite**. Asegúrese de que el **tapón del drenaje de aceite** esté bien apretado.
5. Retire la varilla.
6. Llene el cárter del motor. **NO SOBREPASE EL NIVEL RECOMENDADO.** Para

saber exactamente la cantidad de aceite que debe utilizar, vea la sección "Especificaciones del producto."

7. Conecte el cable a la bujía.



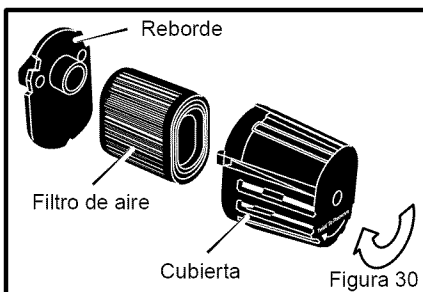
COMO REEMPLAZAR EL FILTRO DE AIRE

Reemplace el filtro de aire una vez al año o más frecuente si se utiliza en lugares sucios o con mucho polvo. **NO** intente limpiar o lubricar el filtro de aire. Retire y coloque el nuevo filtro de aire de la manera siguiente:

PRECAUCIÓN: Nunca ponga el motor en marcha sin haber colocado el filtro de aire. Un filtro tapado con polvo puede causar pérdida en poder del motor y puede causar desgaste o daño excesivo del motor. Si el filtro de aire está tapado con polvo, necesitará cambiarlo inmediatamente.

1. Desconecte el cable de la bujía.
2. Gire la **cubierta** hacia la derecha como se muestra en la Figura 30. Quite la **cubierta** y el **filtro de aire**.
3. Deseche el **filtro de aire** usado.
4. Limpie la **cubierta** y el **reborde**.

5. Ponga el nuevo **filtro de aire** dentro de la **cubierta**.
6. Presione firmemente la **cubierta** contra el **reborde**. Gire la **cubierta** hacia la izquierda hasta que esté bien apretada. Asegúrese de que los sujetadores estén bien asegurados alrededor del **reborde**.
7. Conecte el cable a la bujía.



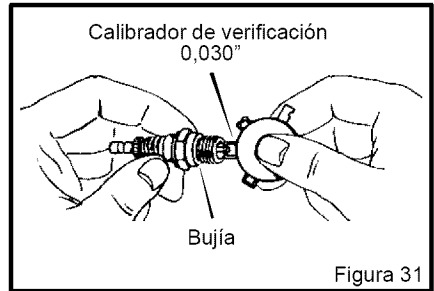
MANTENIMIENTO

BUJÍA

Verifique la **bujía** cada 25 horas. Reemplace la **bujía** si los electrodos están corroídos o quemados, o si la porcelana está cuarteada.

1. Asegúrese de que la **bujía** esté limpia. Limpie la **bujía** raspando muy cuidadosamente los electrodos (no la limpie por chorro de arena ni use cepillo de metal).
2. Verifique la separación de la **bujía** con un **calibrador de verificación**. Consulte las "Especificaciones del producto" para saber la separación correcta de la **bujía** y como reemplazarla.
3. Antes de colocar la **bujía**, cubra ligeramente los filamentos con lubricante para

retirarlos fácilmente. Apriete la bujía con un par de torsión de 15 pies-libras.



SERVICIO Y AJUSTES

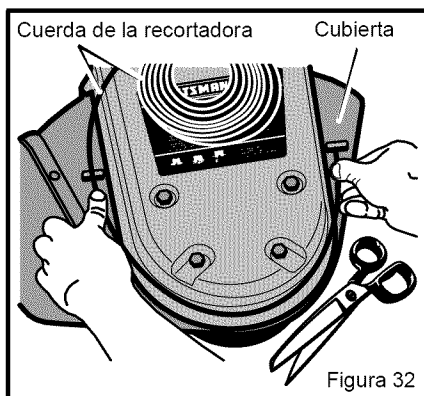


ADVERTENCIA: Pare el motor antes de inspeccionar, limpiar o darle servicio a la recortadora. Asegúrese de que todas las partes móviles se hayan detenido. Desconecte el cable de la bujía.

CÓMO REEMPLAZAR LA CUERDA DE LA RECORTADORA

Para un rendimiento óptimo, use una cuerda de recortadora de calibre grueso (0,155 pulgadas de diámetro). El largo apropiado de la cuerda es de 21.5 pulgadas. Utilice la guía para medir, ubicada en la cubierta, para asegurarse de que la cuerda de recortadora sea del largo correcto. Vea la Figura 32. No deje que el largo de las cuerdas varíe por más de una pulgada. Esto es importante para asegurar que la cabeza de la recortadora esté balanceada y no vibre.

IMPORTANTE: Para extender la vida útil de la cuerda de recortadora, manténgala húmeda. Si no se mantiene húmeda, la cuerda de nailon se pondrá seca quebradiza. Mantenga la cuerda de repuesto en un recipiente con agua. Así, ésta se mantendrá flexible y será fácil de cambiar. Si la cuerda está flexible durará mucho más.



CAMBIO DE LA CUERDA DE RECORTADORA

Cuando la cuerda de recortadora se haya desgastado a la mitad de su largo original, reemplácela de la manera siguiente:

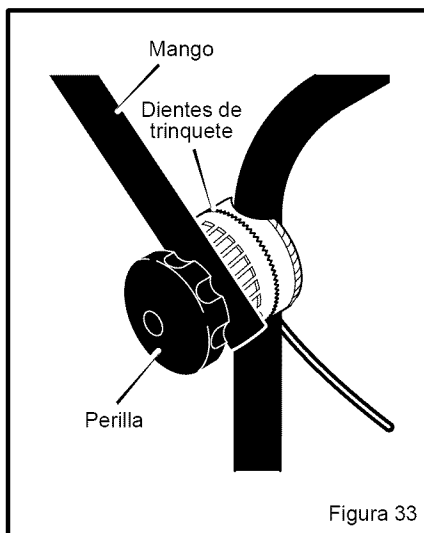
<p>Sujetador de cuerda Cuerda de recortadora</p>		
<ol style="list-style-type: none">1. Pare el motor. Espere a que paren las partes en movimiento.2. Saque la cuerda de recortadora desgastada del sujetador de cuerda.3. Primero, pase los extremos de la nueva cuerda a través de los agujeros exteriores.	<ol style="list-style-type: none">4. A continuación, agarre los extremos de la cuerda, páselos sobre el sujetador de cuerda, y enhebre los extremos a través del agujero del centro.	<ol style="list-style-type: none">5. Luego, revise para asegurarse de que los extremos de la cuerda estén parejos.

SERVICIO Y AJUSTES

AJUSTE DE ALTURA DEL MANGO

Use las **perillas**, en cada lado del mango, para ajustar su altura.

1. Sujete el **mango** con una mano y afloje ambas **perillas** hasta que los **dientes de trinquete** se desenganchen. No retire las **perillas**. Vea la Figura 33.
2. Mueva el **mango** hacia arriba y hacia abajo hasta la posición deseada, luego alinee los **dientes de trinquete**. Asegúrese que ambos lados del **mango** estén parejos.
3. Apriete las **perillas**.



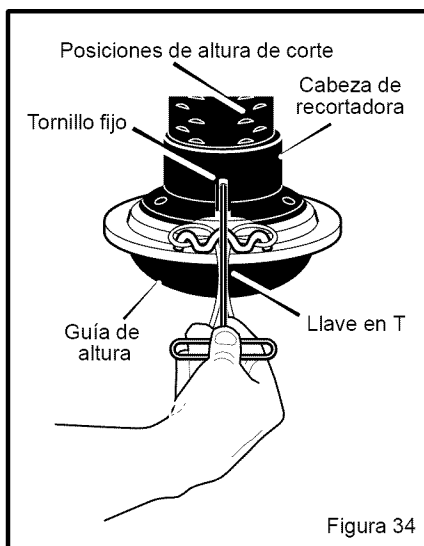
ESTABLECIMIENTO DE LA ALTURA DE CORTE



PRECAUCIÓN: Antes de establecer la altura de corte: pare el motor. Espere a que todas las partes móviles se detengan. Deje que el motor se enfríe y desconecte el cable de la bujía.

La altura de corte se puede fijar entre 1–1/2 pulgadas y 3 pulgadas. La altura de corte recomendada para un jardín promedio, es de 2 pulgadas.

1. Use la **llave en T** que viene en la bolsa de partes, para aflojar el **tornillo fijo** que aparece en la Figura 34.
2. Ajuste la **cabeza de la recortadora** a la altura deseada.
3. Apriete el **tornillo fijo**.



SERVICIO Y AJUSTES

REEMPLAZO DE LA CORREA DE TRANSMISIÓN

Para reemplazar la correa de transmisión, deberá retirar la cubierta y a cabeza de la recortadora como se indica a continuación.



ADVERTENCIA: Antes de retirar la correa de transmisión, desconecte el alambre de la bujía.

1. Retire los dos sujetadores que sostienen la parte trasera de la **cubierta** al **cárter** de la **recortadora** (véase la Figura 35).
2. Retire los cuatro sujetadores que detienen la parte delantera de la **cubierta** y **cabeza de la recortadora** al **cárter** de ésta.
3. Retire la polea en "V" del soporte de polea tensadora.
4. Levante la parte delantera del **cárter** y retire el **cable motriz**. En algunos modelos, es necesario aflojar los **pernos de montaje** para retirar la **polea motriz** y poder quitar la correa de transmisión (véase la Figura 36). No doble las guías de correa.

NOTA: Asegúrese de que el repuesto de la correa de transmisión sea una **pieza original**.

5. Para colocar la **correa de transmisión**, siga los pasos arriba mencionados en orden inverso. Asegúrese de que todos los sujetadores estén bien apretados. También es importante que se asegure de que el **perno de montaje** de la **polea motriz** esté bien apretado.
6. Verifique que la **correa de transmisión** pase por las **guías de correa**, como se muestra en la Figura 36.

IMPORTANTE: Pruebe el sistema de transmisión. Arranque el motor y mueva el control del acelerador a la posición **FAST**. Enganche y desenganche la cabeza de la recortadora varias veces. Cuando esté desenganchada, asegúrese de que la cabeza de la cortadora se detenga completamente al estar en reposo sobre el suelo. Si

ésta sigue girando, lleve la recortadora al centro de servicio Craftsman más cercano.

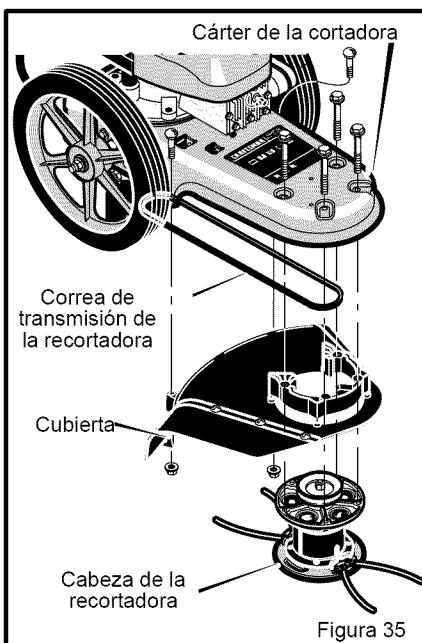


Figura 35

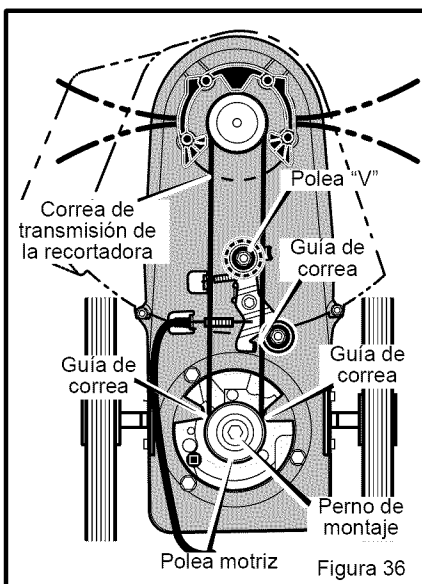


Figura 36

ALMACENAJE



ADVERTENCIA: No saque la gasolina mientras esté en un recinto cerrado, cerca de fuego, o mientras fuma. Los vapores de la gasolina pueden causar una explosión o un incendio.

Cuando se guarda la recortadora por treinta días o más, siga los pasos indicados a continuación para asegurarse de que la recortadora esté en buenas condiciones la temporada siguiente.

Recortadora de maleza

- Limpie bien la recortadora.
- Guárdela en un recinto con buena ventilación.

NOTA: Una revisión o afinación anual en un centro de servicio Craftsman autorizado le dará la confianza de que la recortadora le dará un rendimiento óptimo en la temporada siguiente.

Motor

IMPORTANTE: Es importante prevenir la acumulación de resinas en las partes del sistema de combustible tales como el carburador, filtro de combustible, manguera de combustible, y tanque durante el almacenaje. También, el uso de combustible mezclado con alcohol (llamado gasohol, etanol o metanol) puede atraer humedad lo que lleva a la separación y formación de ácidos durante el almacenaje. El gas ácido puede dañar el sistema de combustible

de un motor mientras la unidad se encuentra guardada.

Para prevenir el daño al motor cuando la recortadora esté guardada por 30 días o más, siga los pasos a continuación:

- Deje en marcha el motor hasta que se termine la gasolina.
- Drene el aceite del motor cuando éste todavía no se haya enfriado completamente. Llene el cárter con aceite nuevo.
- Retire la bujía del cilindro. Ponga una onza de aceite dentro del cilindro. Jale lentamente la manija del arranque manual para que el aceite proteja el cilindro. Instale una bujía nueva en el cilindro.
- Limpie el polvo y basura acumulados en las aspas de enfriamiento del cilindro y del cárter de la recortadora.
- Si no desea drenar la gasolina, añádale un estabilizador de combustible, tal como el estabilizador de combustible Craftsman Núm. 33500, a cualquier resto de gasolina que quede en el tanque. El estabilizador de combustible Craftsman reducirá la formación de depósitos de goma y ácidos. Si el tanque está casi vacío, mezcle estabilizador de combustible Craftsman con gasolina fresca en un recipiente aparte y añada la mezcla al tanque. Siempre siga las instrucciones en el envase del estabilizador. Deje correr el motor por diez minutos por lo menos después de añadir el estabilizador para permitir que la mezcla alcance el carburador.

TABLA DE LOCALIZACIÓN DE AVERÍAS

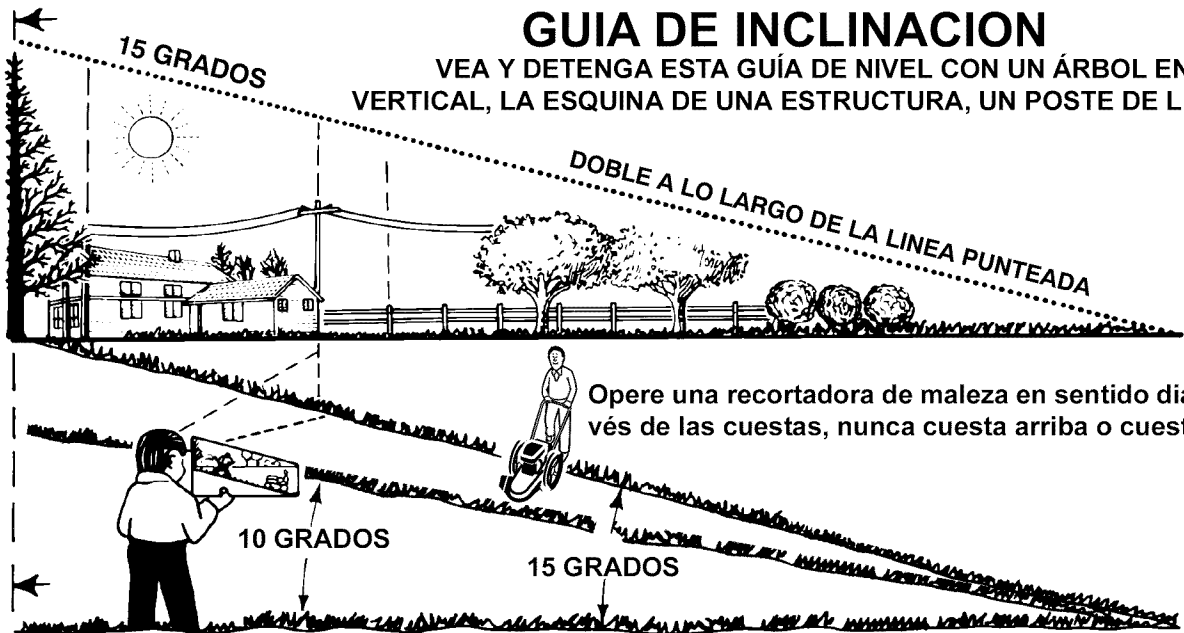
AVERÍA	CAUSA	CORRECCIÓN
El motor no arranca	Cable de bujía desconectado.	Conecte el cable de la bujía.
	Motor no cebado.	Cebare el motor.
	Bujía defectuosa o separación incorrecta de la bujía.	Revise o reemplace la bujía.
	Tanque de combustible vacío.	Añada combustible.
	Carburador o línea de combustible sucios.	Limpie el carburador o la línea de combustible.
	Filtro de aire sucio.	Reemplace el filtro de aire.
	Carburador desajustado.	Para ajustar el carburador, lleve la unidad a un centro de servicio Craftsman autorizado.
	Motor ahogado.	Espere varios minutos antes de hacerlo arrancar nuevamente.
	Palanca de control de acelerador en la posición incorrecta.	Mueva la palanca de acelerador a la posición FAST o START.
	Gasolina vieja.	Drene la gasolina vieja y reabastezca con gasolina fresca.
	Palanca o cable del control de acelerador defectuoso.	Revise la palanca y el cable. Reemplace si está dañado o defectuoso.
Motor no corre bien.	Bujía mala.	Reemplace la bujía.
	Filtro de aire sucio.	Reemplace el filtro de aire.
	Carburador desajustado.	Ajuste el carburador. Lleve la unidad a un centro de servicio Craftsman.
	Gasolina vieja.	Drene la gasolina vieja y reabastezca con gasolina fresca.
	Sistema de enfriamiento del motor obstruido.	Limpie la rejilla del motor y las aspas de enfriamiento.

TABLA DE LOCALIZACIÓN DE AVERÍAS

El motor se sobrecalienta.	Sistema de enfriamiento del motor obstruido.	Limpie la rejilla contra basura y las aspas de enfriamiento del motor.
	Carburador desajustado.	Ajuste el carburador. Lleve la unidad a un centro de servicio Craftsman.
	Nivel de aceite bajo.	Añada aceite.
El motor no para.	Palanca o cable del control de acelerador defectuoso.	Revise y reemplace las partes dañadas.
	Acelerador mal ajustado.	Mueva completamente el acelerador a la posición OFF.
Recortado de mala calidad.	La cuerda de la recortadora está muy corta.	El largo correcto es de 21,5 pulgadas. Cuando la cuerda se haya desgastado a menos de la 1/2 de este largo, debe reemplazarla.
	El motor no está puesto en la velocidad FAST.	Mueva la palanca de control de acelerador del motor a la posición FAST.
La recortadora vibra.	El tornillo fijo de la cabeza de la recortadora está flojo.	Apriete el tornillo fijo con la llave en T.
	El largo de las cuerdas está muy disparejo.	Ajuste la cuerda de la recortadora para que ambos extremos queden aproximadamente iguales de largo.
	Tuercas y pernos flojos.	Revise todos los pernos y tuercas, inclusive los pernos del motor.
	Cabeza de recortadora rota.	Reemplace la parte rota.
La cabeza de la recortadora no sujeta la cuerda	La cuerda de recortadora no está colocada correctamente.	Siga las instrucciones en la calcomanía o en la sección de servicio del manual del propietario.
	Sujetador de cuerda roto.	Reemplace el conjunto de la cabeza de recortadora.
	Tamaño incorrecto de la cuerda de recortadora.	Use una cuerda de recortadora Craftsman de 0,155 pulgada de diámetro.

GUIA DE INCLINACION

VEA Y DETENGA ESTA GUÍA DE NIVEL CON UN ÁRBOL EN POSICIÓN VERTICAL, LA ESQUINA DE UNA ESTRUCTURA, UN POSTE DE LUZ O UNA CERCA.



Opere una recortadora de maleza en sentido diagonal a través de las cuestas, nunca cuesta arriba o cuesta abajo.

Utilice este guía, y no recorte en una cuesta mayor de 15 grados.

Una inclinación de 10 grados es una cuesta que aumenta aproximadamente 1.7 pies de altura, por cada 10 pies.

Una inclinación de 15 grados es una cuesta que aumenta aproximadamente 2.5 pies de altura, por cada 10 pies.



Use extrema precaución y evite cambios de dirección o movimientos bruscos y repentinos cuando recorte en cuestas. Siga las instrucciones adicionales en este manual para recortar con seguridad en las cuestas. Opere la recortadora de maleza en diagonal a través de la cuesta, nunca cuesta arriba o cuesta abajo. Use extrema precaución cuando opere la recortadora en o cerca de las cuestas y cualquier obstáculo que pudiera obstruir la operación.

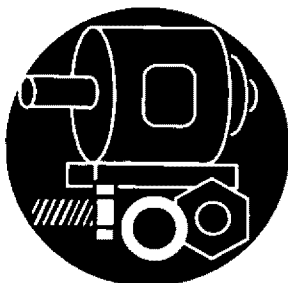
NOTES

For the repair or replacement parts you need delivered directly to your home
Call 7am–7pm, 7days a week

1-800-366-PART

(1-800-366-7278)

Para ordenar piezas con entrega a domicilio – 1-800-659-7084



For in-house major brand repair service
Call 24 hours a day, 7days a week

1-800-4-REPAIR

(1-800-473-7247)

Para pedir servicio de reparación a domicilio– 1-800-676-5811



For the location of a Sears Parts and Repair Center in your area

Call 24 hours a day, 7days a week

1-800-488-1222



For information on purchasing a Sears Maintenance agreement or to inquire about an existing Agreement
Call 9am–5pm, Monday–Saturday

1-800-827-6655



When requesting service or ordering parts, always provide the following information:

- Product Type
- Part Number
- Model Number
- Part Description

SEARS
REPAIR SERVICES

America's Repair Specialists