

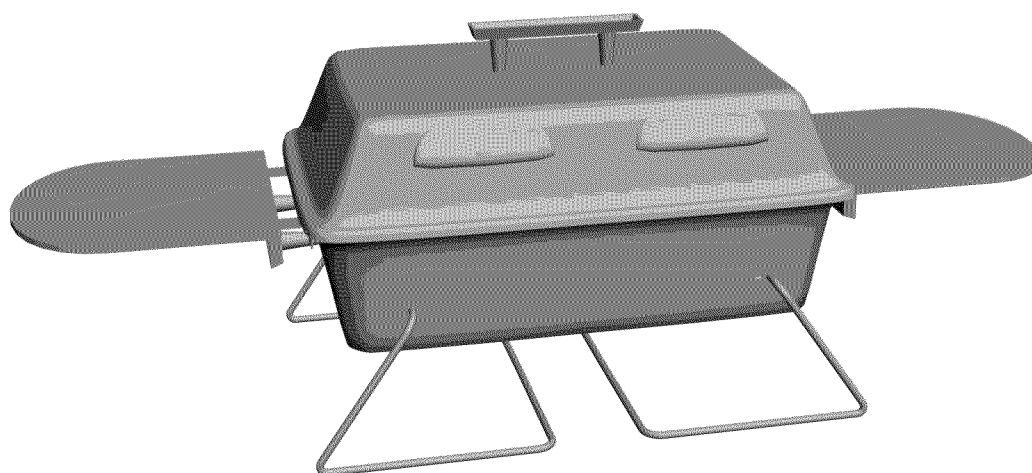
Use and Care Guide



17" Portable Charcoal Grill With Removeable Plastic Side Table

Kmart Item No. 17760011-1

This Grill is for Outdoor Use Only



	WARNING	
<ul style="list-style-type: none">• Read and follow all Safety, Assembly, and Use and Care Instructions in this Guide before assembling and cooking with this grill.• Failure to follow all instructions in this Use and Care Guide may lead to fire or explosion, which could result in property damage, personal injury or death.		

- Safety
- Parts
- Use and Care
- Assembly

**Assembly Questions?
Call 1-877-998-1697**

Tools needed for assembly:
Screwdriver (not provided)

SAVE THESE INSTRUCTIONS!



Assembly Instruction

17" Portable Charcoal Grill

► Safety Guidelines

1. This Grill is intended for OUTDOOR USE ONLY. Do not attempt to use grill in enclosed areas.
2. Place your Grill outside on a firm, level surface away from wooden fences, Overhanging trees, or other flammable objects before add and lighting charcoal.
3. DO NOT USE GASOLINE IN GRILL. Use only commercial charcoal lighter fluid with charcoal briquettes or pre-soaked charcoal briquettes. Prepare charcoal according to the product's instructions.
4. After lighting the charcoal, do not leave the grill unattended.
5. Remember to keep children and pets away from a lit grill at all times.
6. To avoid harm to people, pets or property do not move the grill once the charcoal has been lit.
7. Once coals are lit, the grill and surrounding surfaces become very hot. **Do not put the grill on a wooden table or glass table when cooking to avoid the damage result from the high temperature.** Use proper outdoor cooking mitts, utensils and avoid skin contact with all hot metal surfaces on grill.
8. To extinguish charcoal after cooking, dowse coals with sand or spray with a fine mist of water.
9. After your Grill has cooled, cover and store the grill unit when not in use.

► Tips & Features for safe and easy usage

Lighting Your Grill

After assembly, place charcoal on the charcoal grid. Use instructions on your preferred charcoal's package for lighting charcoal.

Cleaning Your Grill

After Fire is extinguished and grill has cooled completely, simply pull out the charcoal grill and dump ashes into appropriate disposal container. Clean cooking grill with a grill scrubber/brush. For best results use an aerosol grill cleaner with a grill scrubber/brush.

► Leg Folding and unfolding important instruction

When setting up for use, be sure that the wire legs are fully seated inside the side handle brackets. Failure to seat the legs properly could cause the grill to collapse during use. If either leg will not seat fully, remove the affected leg, bend the ends in to bring them closer together, and replace the legs on the grill. This should allow the wire legs to be fully seated, and locked, during use.

WARNING! Combustion by-products produced when using this product contain chemicals known to the State of California to cause cancer, birth defects, and other reproductive harm.

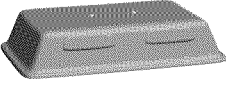
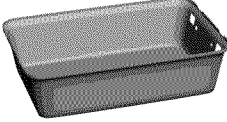
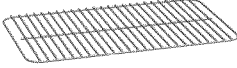


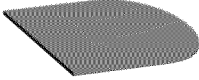



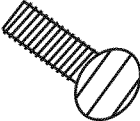
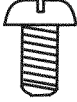



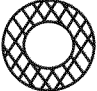
Assembly Instruction

17" Portable Charcoal Grill

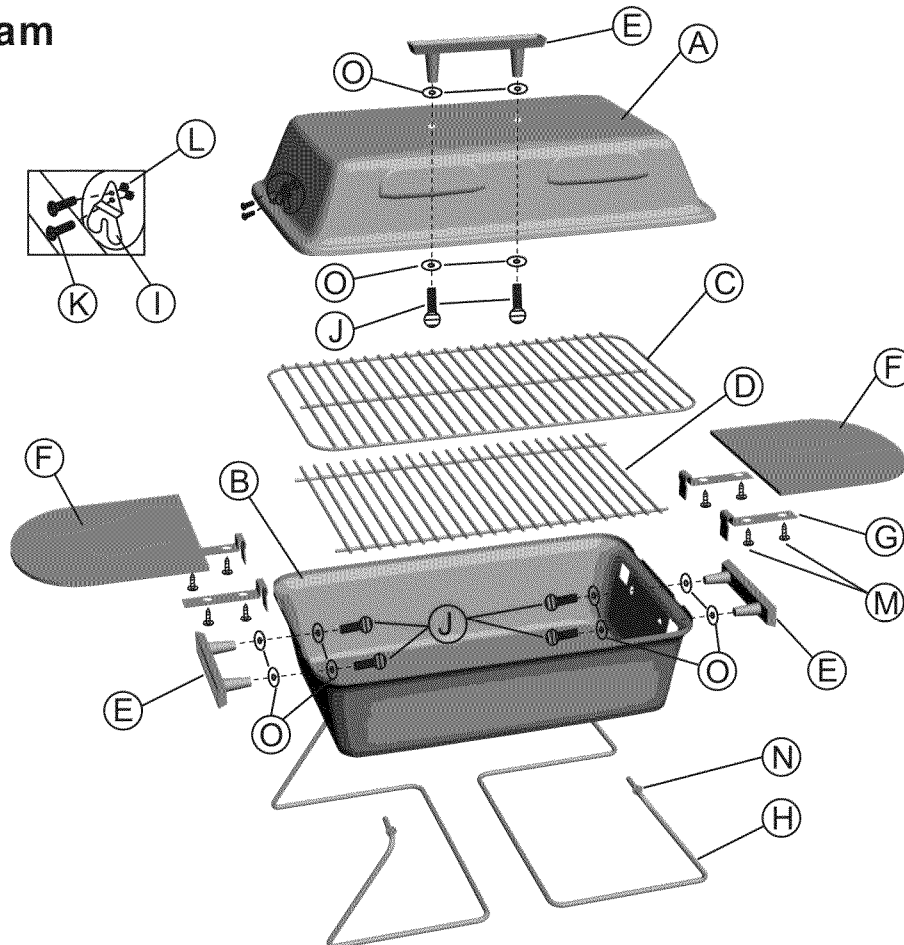
Verify that all parts are included with your BBQ-Pro Grill BEFORE beginning assembly by checking the Parts List below. For your convenience, some parts may be pre-assembled or attached to grill components. If all parts are not included, do not attempt to assemble grill. Return grill to store with receipt for replacement unit or 100% Satisfaction refund.

USE DIAGRAM PROVIDED FOR ASSEMBLY. Leave nuts half-tightened on the grill during assembly until unit is completely assembled, then finish tightening nuts.

► Parts List

A.	B.	C.	D.	E.
				
Lid (1)	Bottom bowl (1)	Cooking grid (1)	Charcoal grid (1)	Bakelite handle (3)
F.	G.	H.	I.	J.
				
Side shelf (2)	Shelf support (4)	Steel wire leg (2)	Lid bracket (2)	Handle Bolt 1/4"(6)
K.	L.	M.	N.	O.
				
Bolt 3/16" (4)	Hex nut 3/16" (4)	Screw M4 (8)	Metal washer 1/4"(4)	Fiber washer 1/4"(12)

► Diagram

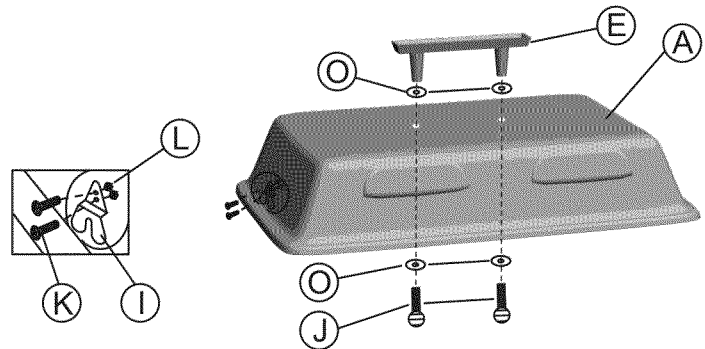


Assembly Instruction

17" Portable Charcoal Grill

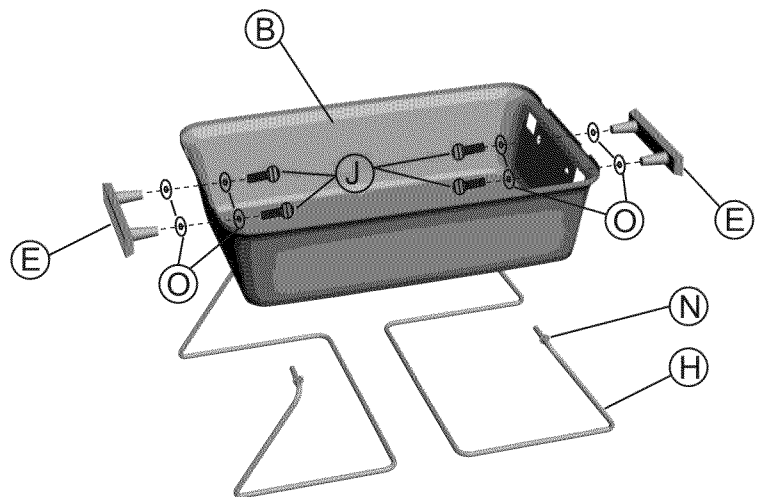
STEP 1. Attach lid brackets (I) to lid (A) with 4 bolts (K) and 4 hex nuts (L).

Attach handle (E) by inserting 2 bolts (J) through 2 fiber washers (O), lid (A), 2 fiber washers (O) into handle (E).



STEP 2. Place 1 metal washer (N) over each end of steel wire leg (H). Insert the ends of each steel wire leg stand into the holes provided in the bottom bowl (B).

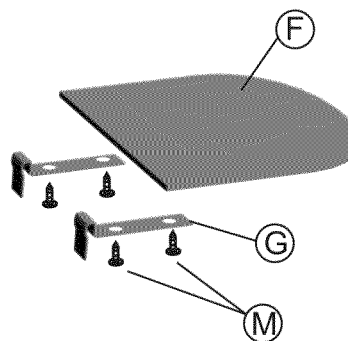
Attach handle (E) by inserting 2 bolts (J) through 2 fiber washers (O), bottom (B), 2 fiber washers (O) into handle (E). Repeat procedure for other handle (E).



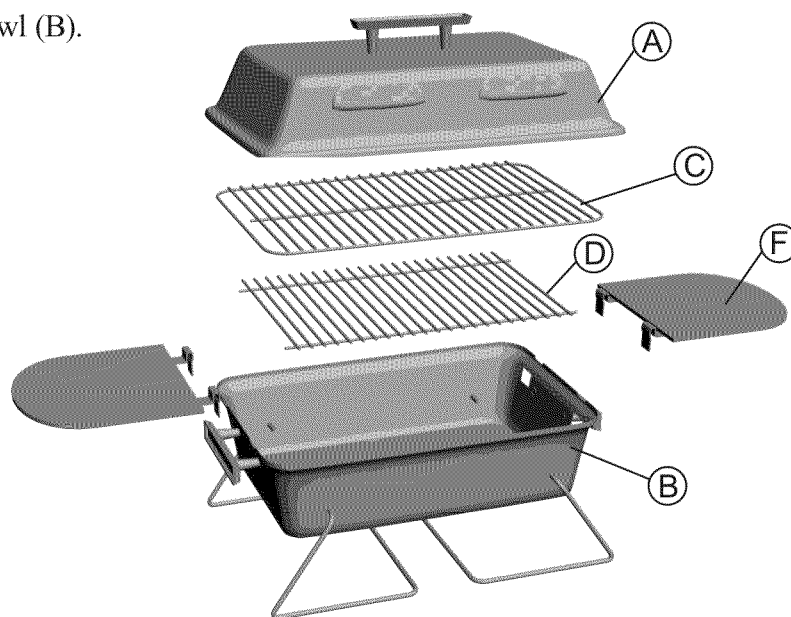
Assembly Instruction

17" Portable Charcoal Grill

STEP 3. Attach side shelf (F) to 2 shelf supports (G) by using 4 screws (M). Repeat procedure for other side shelf (F).



STEP 4. Place charcoal grid (D) into bottom bowl (B). Place cooking grid (C) into bottom bowl (B). Insert the ends of side shelf (F) into the holes provided in the bottom bowl (B). Place lid (A) on top of bottom lid (B).



WARNING: To ensure that it is safe to eat, food must be cooked to the minimum internal temperatures listed in the table below.

USDA* Safe Minimum Internal Temperatures	
Fish	145° F
Pork	160° F
Egg Dishes	160° F
Steaks and Roasts of Beef, Veal or Lamb	145° F
Ground Beef, Veal or Lamb	160° F
Whole Poultry (Turkey, Chicken, Duck, etc.)	165° F
Ground or Pieces Poultry (Chicken Breast, etc.)	165° F

*United States Department of Agriculture

90 Day Full Warranty

If this BBQ-Pro product fails due to a defect in material or workmanship within 90 days from the date of purchase, return it to any Sears or Kmart store or other BBQ-Pro outlet in the United States with your proof of purchase for free replacement.

This warranty gives you specific legal rights, and you may also have other rights which vary from state to state.

Sears, Roebuck and Co., Hoffman Estates, IL 60179

For further information, contact the manufacturer, toll free at 1-877-998-1697.