

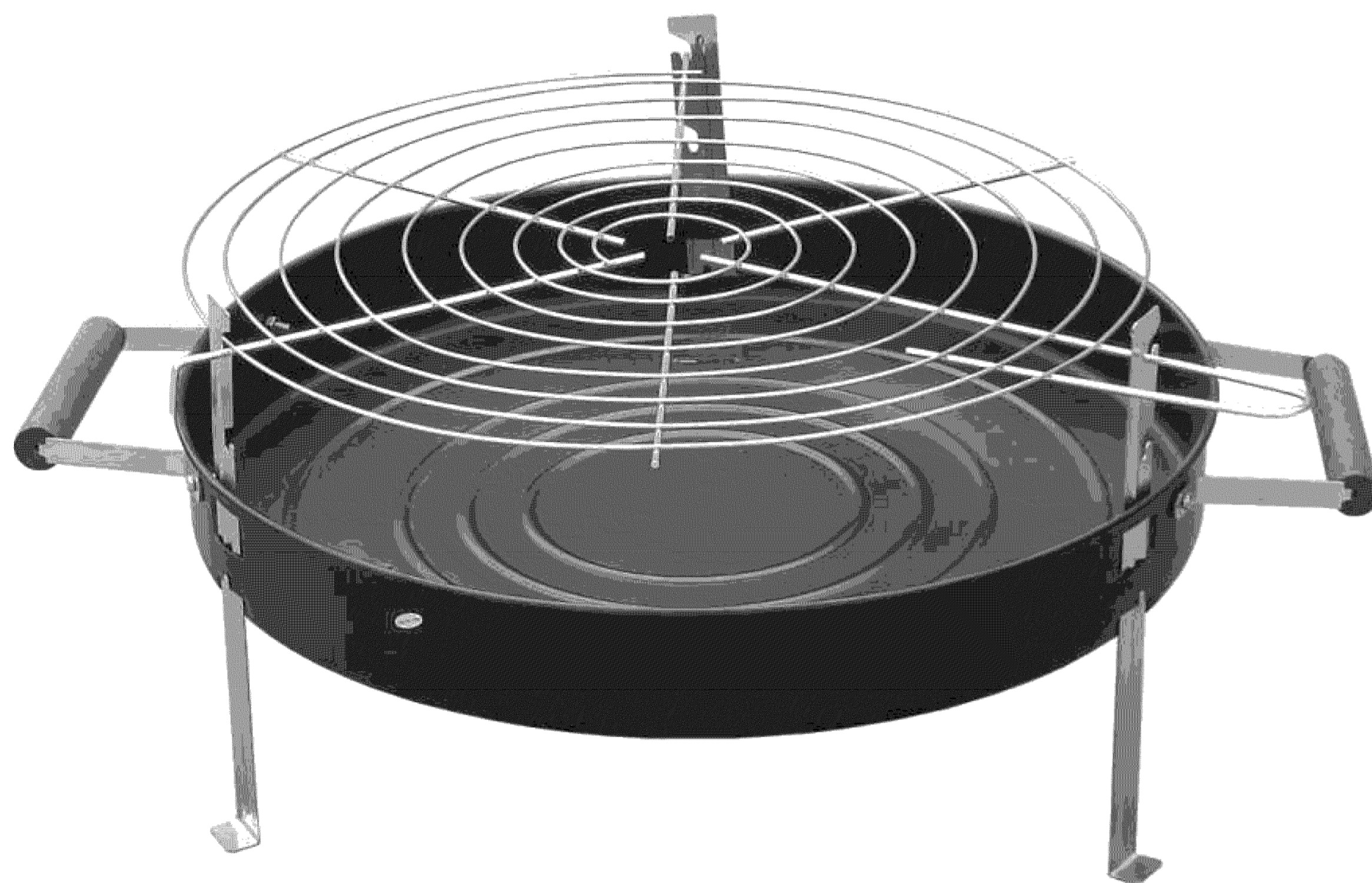
## Use and Care Guide



### Two-in-One Grill (Tall or Short Setup)

Kmart Item No. 18299011-9

**This Grill is for Outdoor Use Only**



	<b>WARNING</b>	
<ul style="list-style-type: none"><li>• Read and follow all Safety, Assembly, and Use and Care Instructions in this Guide before assembling and cooking with this grill.</li><li>• Failure to follow all instructions in this Use and Care Guide may lead to fire or explosion, which could result in property damage, personal injury or death.</li></ul>		

- Safety
- Parts
- Use and Care
- Assembly

**Assembly Questions?  
Call 1-877-998-1697**

**Tools needed for assembly:**  
Screwdriver (not provided)

**SAVE THESE INSTRUCTIONS!**

# BBQ-PRO Charcoal Grill Assembly Instructions

## SAFETY INSTRUCTIONS

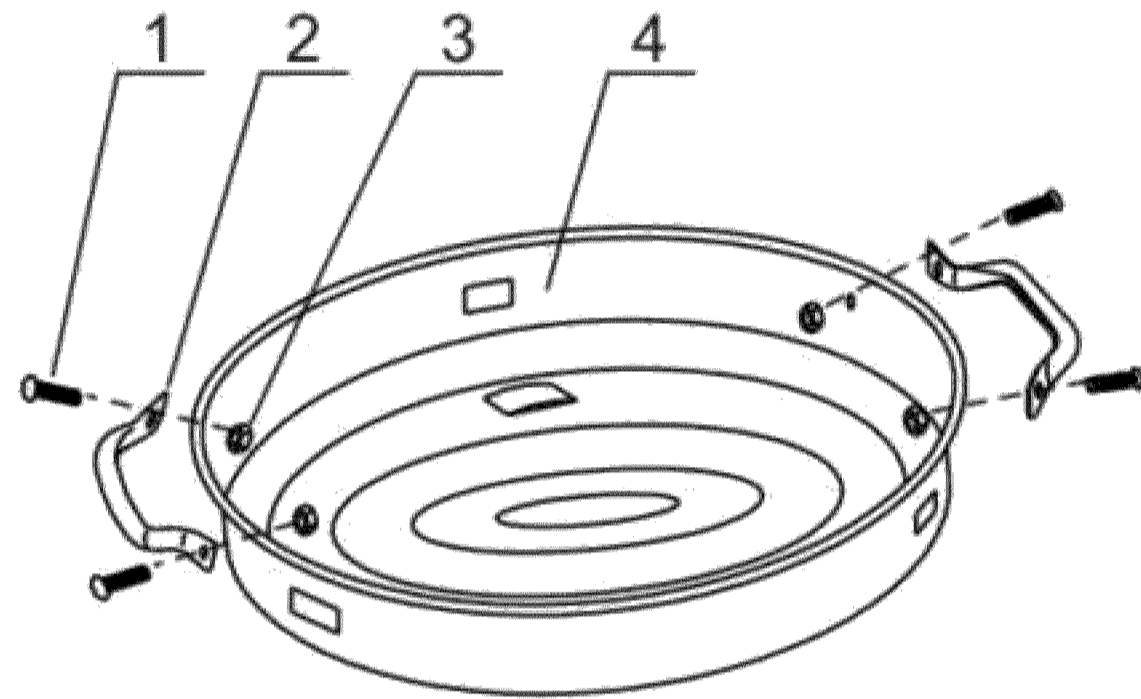
### WARNING:

- Your grill is for outdoor use only!
- For your safety, operate in a well ventilated area.
- Never operate in an enclosed space such as a garage or building.
- Do not use grill near combustible materials.
- Do not use in windy conditions.
- Never handle grill while in use.
- Do not allow children to operate or play near grill.
- Do not obstruct the flow of combustion and ventilation air.
- Failure to follow all instructions and warnings could result in death.

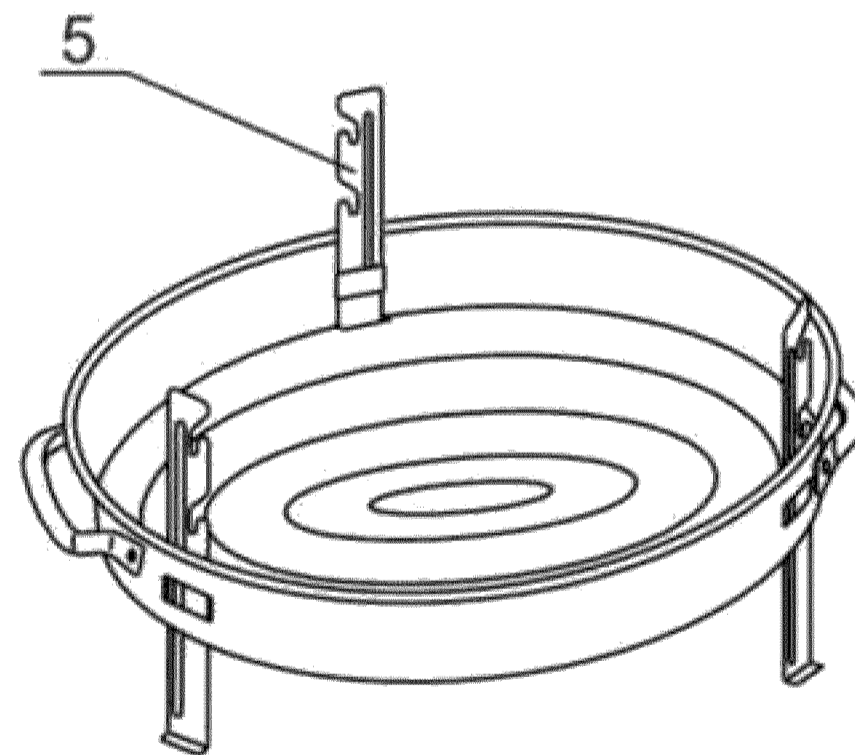
**WARNING!** Combustion by-products produced when using this product contain chemicals known to the State of California to cause cancer, birth defects, and other reproductive harm.

## Short Setup:

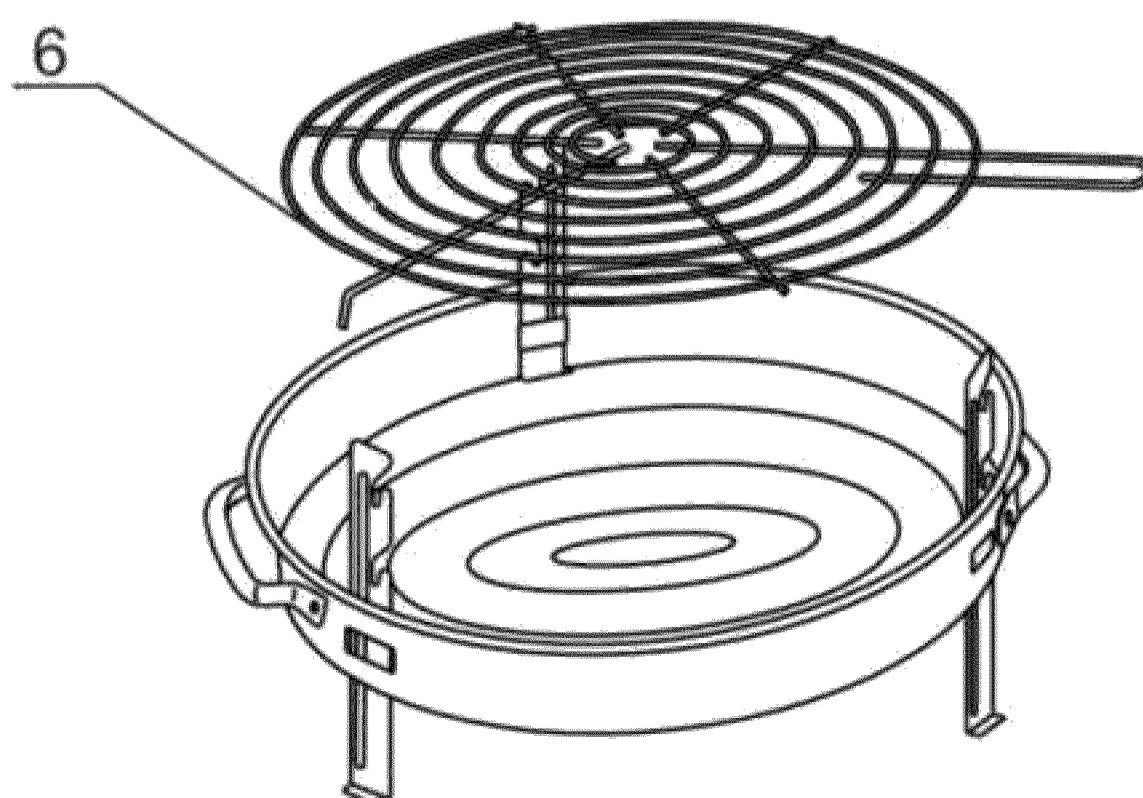
**STEP 1.** Use screw (1) & nut (3) to assemble handle (2) onto tray (4).



**STEP 2.** Install grill supports (5) into tray.



**STEP 3.** Place grid (6) onto grill supports (5).



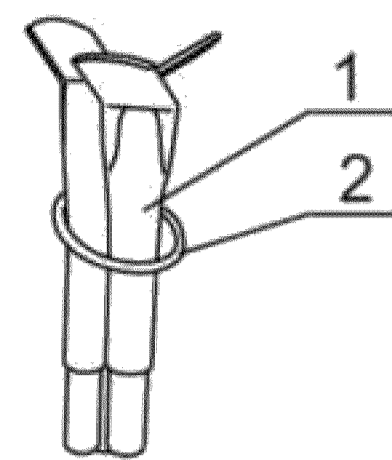
### PARTS LIST

1. SCREW	4PCS
2. HANDLE	2PCS
3. NUT	4PCS
4. TRAY	1PC
5. GRILL SUPPORT	3PCS
6. GRID	1PC

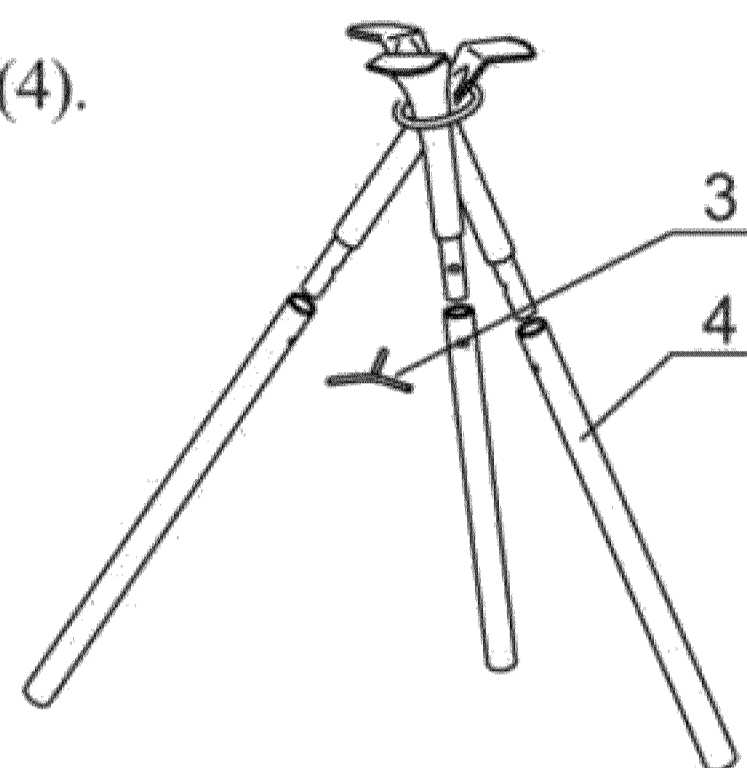
# BBQ-PRO Charcoal Grill Assembly Instructions

## Tall Setup:

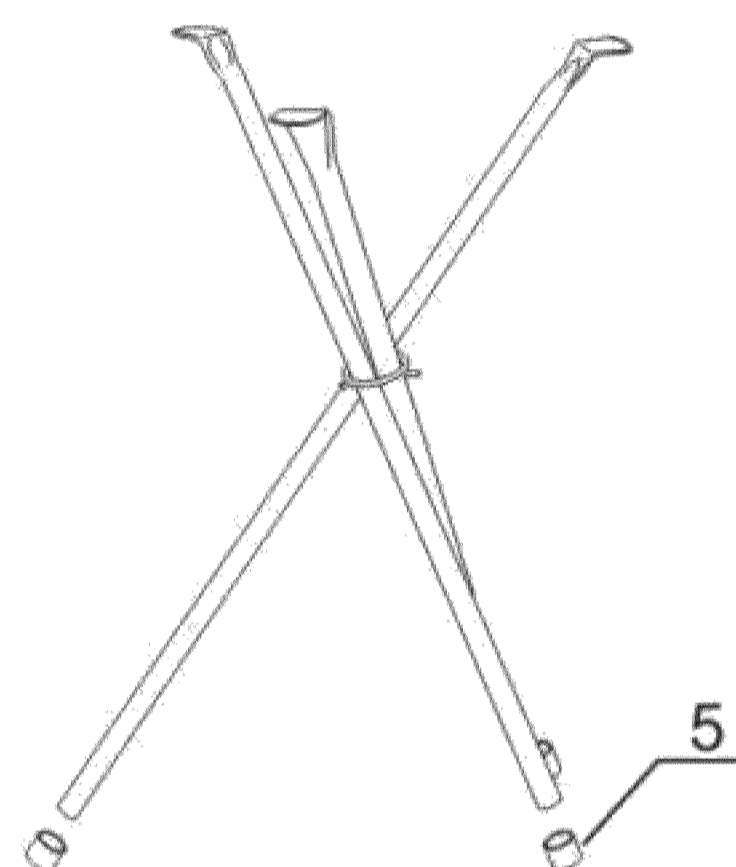
**STEP 1.** Install ring (2) around the three upper tube legs (1).



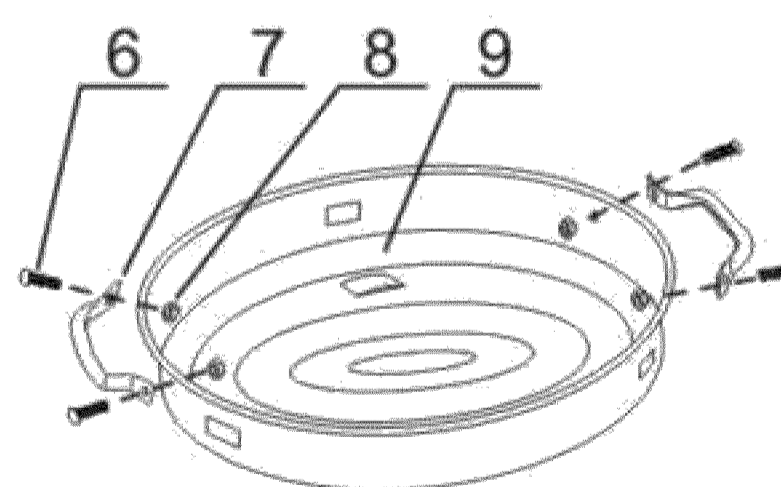
**STEP 2.** Use pin (3) to join upper tube legs (1) to lower tube legs (4).



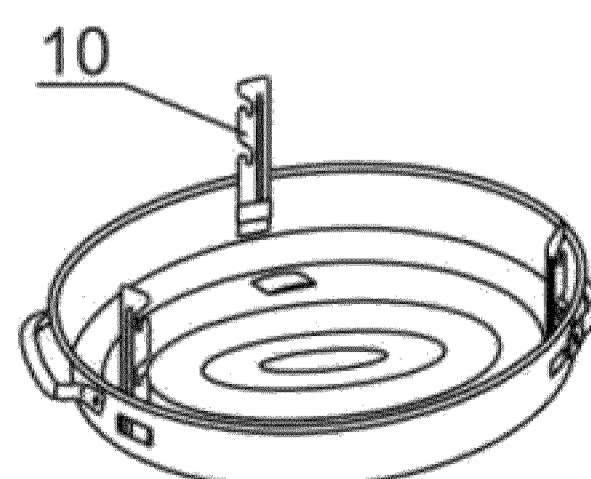
**STEP 3.** Install tube leg end caps (5) into lower tube legs (4).



**STEP 4.** Use screw (6) & nut (8) to assemble handle (7) onto tray (9).

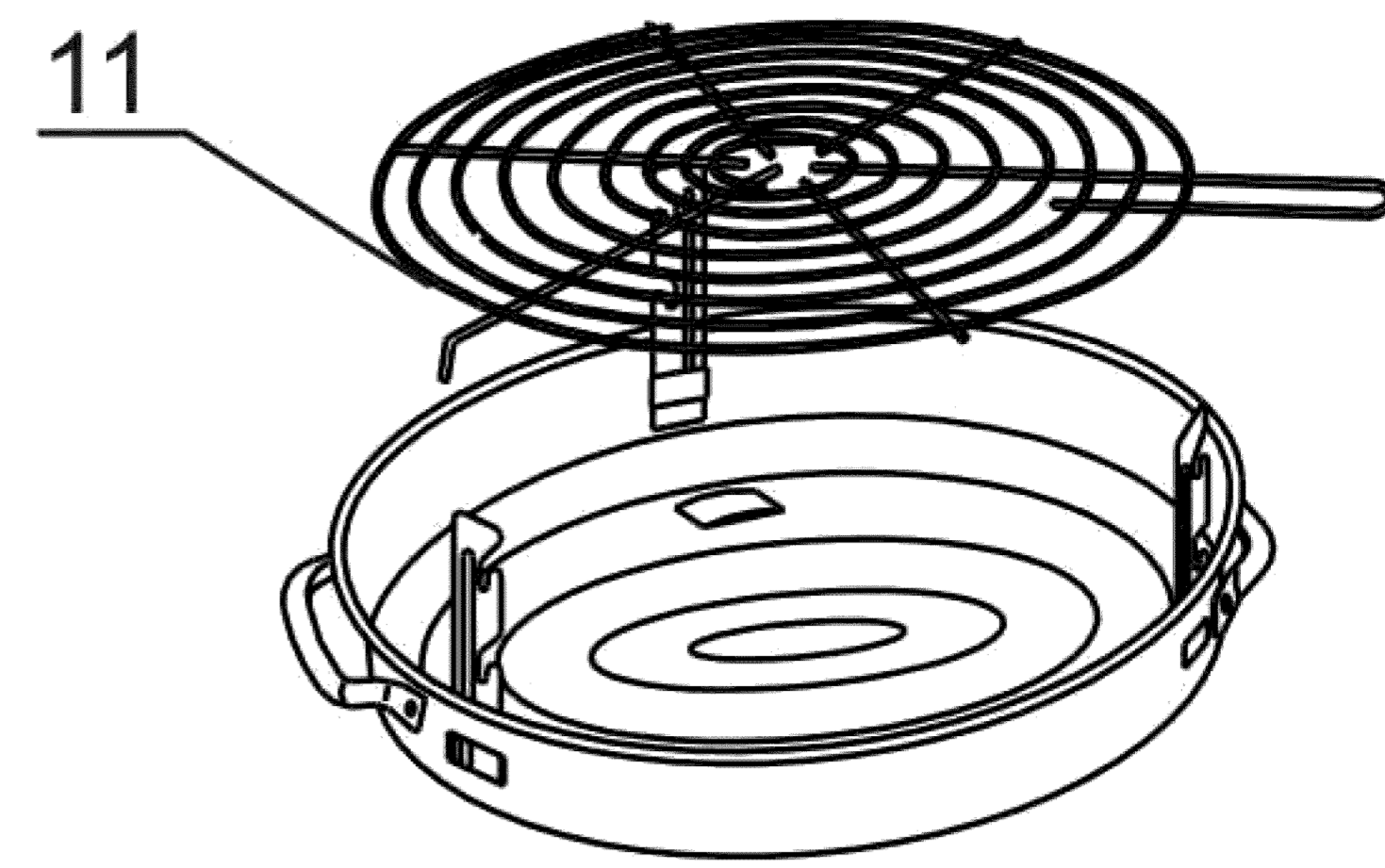


**STEP 5.** Install grill supports (10) into tray (9).

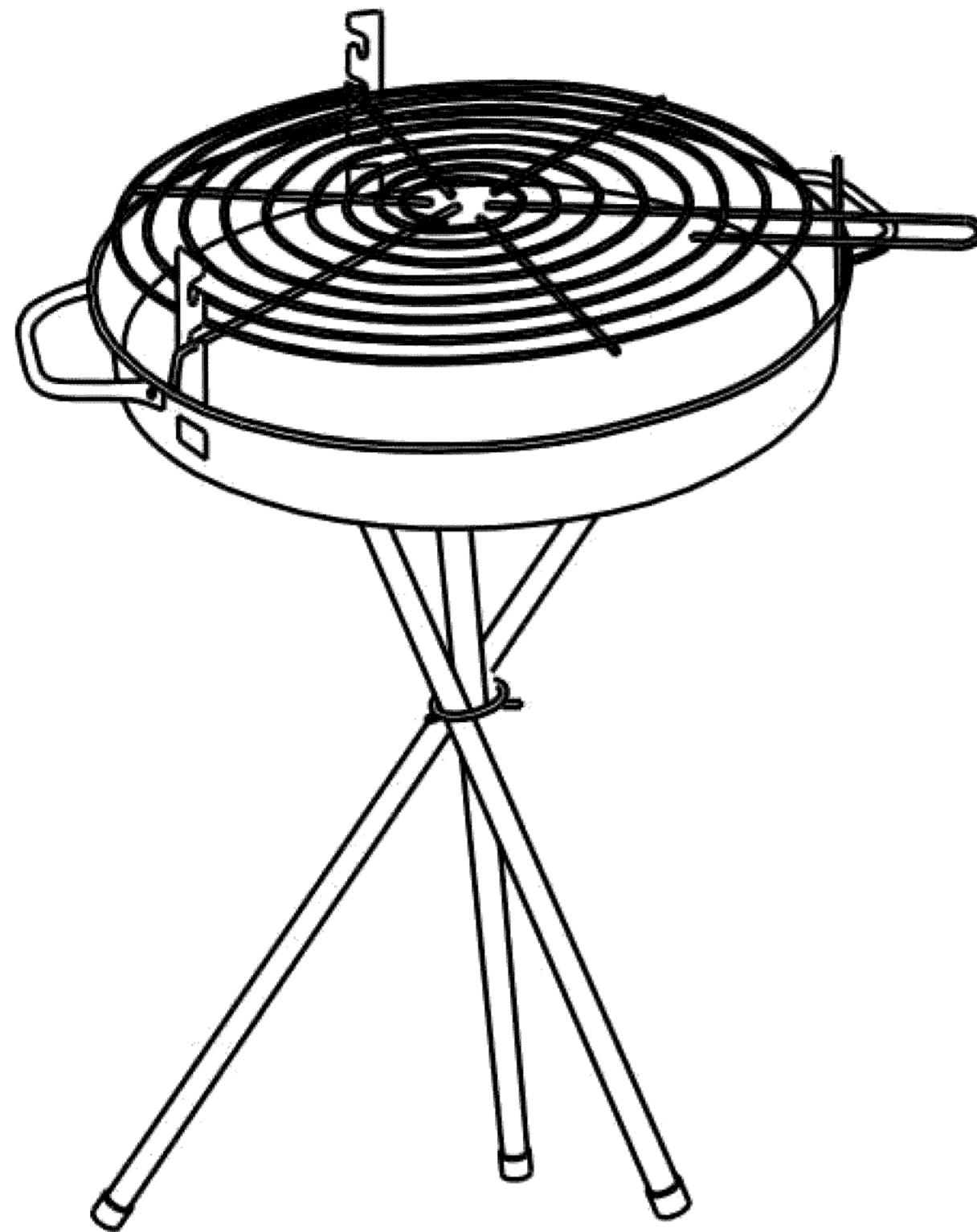


# BBQ-PRO Charcoal Grill Assembly Instructions

**STEP 6.** Place grid (11) onto grill supports (10).



**STEP 7.** Insert ends of upper tube legs (1) into the slots provided in the bottom of grill tray (9)



## PARTS LIST

1. UPPER TUBE LEG	3PCS
2. RING	1PC
3. PIN	1PC
4. LOWER TUBE LEG	3PCS
5. TUBE END CAP	3PCS
6. SCREW	4PCS
7. HANDLE	2PCS
8. NUT	4PCS
9. TRAY	1PC
10. GRILL SUPPORT	3PCS
11. GRID	1PC

### Grilling Instructions and tips:

1. Preheat the cooking grid for 5-10 minutes.
2. Before heating grid, lightly coat cooking grid with cooking oil to prevent food from sticking.

### Maintenance And Storage:

Allow ashes and coals to completely cool before moving your grill. Always empty ashes and charcoal before storing. Allow grill to cool completely before cleaning. Clean with hot, soapy water and rinse completely. Use a wire brush if necessary on cooking grid.

**WARNING:** To ensure that it is safe to eat, food must be cooked to the minimum internal temperatures listed in the table below.

USDA* Safe Minimum Internal Temperatures	
Fish	145°F
Pork	160°F
Egg Dishes	160°F
Steaks and Roasts of Beef, Veal or Lamb	145°F
Ground Beef, Veal or Lamb	160°F
Whole Poultry ( Turkey, Chicken, Duck, etc.)	165°F
Ground or Pieces Poultry ( Chicken Breast, etc.)	165°F

\*United States Department of Agriculture

### 90 Day Full Warranty

If this BBQ-Pro product fails due to a defect in material or workmanship within 90 days from the date of purchase, return it to any Sears or Kmart store or other BBQ-Pro outlet in the United States with your proof of purchase for free replacement.

This warranty gives you specific legal rights, and you may also have other rights which vary from state to state.

Sears, Roebuck and Co., Hoffman Estates, IL 60179

For further information, contact the manufacturer, toll free at 1-877-998-1697.